

**SPARES**  
**BACKHOE LOADER**  
**970**

Publication No. August 2010





# Contents

Chassis - Sideshift 4 Wheel Steer	12
Digger Stabilisers - Sideshift Mechanical Installation	14
Digger Stabilisers - Sideshift Stabilizer Cylinder	16
Digger Stabilisers - Sideshift Stabilizer Cylinder	18
Chassis - Centremount 4 Wheel Steer	20
Engine Cover Yellow	22
Engine Cover White	26
Front Axle - Installation 4 Wheel Drive/4 Wheel Steer	30
Front Axle - Housing 4 Wheel Drive/4 Wheel Steer	32
Front Axle - Differential Bevel Gear - 4 Wheel Steer	34
Front Axle - Differential 4 Wheel Drive/4 Wheel Steer	36
Front Axle - Steering Pivot 4 Wheel Drive/4 Wheel Steer	38
Front Axle - Drive Shaft 4 Wheel Drive/4 Wheel Steer	42
Front Axle - Wheel Hub 4 Wheel Drive/4 Wheel Steer	44
Steering System 4 Wheel Steer	46
Steering System 4 Wheel Steer	48
Wheels	50
Wheels	52
Wheels	54
Wheels	60
Wheels	64
Hardnose And Grille	66
Engine - Engine Installation Rg38099	68
Engine - Cylinder Block Rg38099	70
Engine - Pistons And Crankshaft Rg38099	72
Engine - Cylinder Head Rg38099	76
Engine - Rockers Rg38099	78
Engine - Camshaft Rg38099	80
Engine - Lubricating Oil Filler And Breather Rg38099	82
Engine - Turbocharger Connections Rg38099	86
Engine - Exhaust Manifold Rg38099	88
Engine - Thermostat And Water Filter Rg38099	90
Engine - Water Pump Rg38099	92
Engine - Crankshaft Pulley Rg38099	94
Engine - Flywheel Rg38099	96
Engine - Flywheel Housing Rg38099	98
Engine - Oil Pan Rg38099	100
Engine - Lubricating Oil Filter And Integral Oil Cooler Rg38099	102
Engine - Oil Pump Rg38099	104
Engine - Fuel System Rg38099	106
Engine - Fuel Lift Pump Rg38099	110
Engine - Filter With Fuel Separator Up To Serial Number Tba	112
Engine - Filter With Fuel Separator From Serial Number Tba	114
Engine - Alternator And Mounting Rg38099	116
Engine - Glow Plugs Rg38099	118
Engine - Engine Lifting Rg38099	120
Engine - Plug And Blank-Off Plug Rg38099	122
Engine - Joints And Gaskets Rg38099	124
Engine - Joints And Gaskets Rg38099	126
Engine - Engine Installation Rg38044	128
Engine - Cylinder Block Rg38044	130
Engine - Pistons And Crankshaft Rg38044	132

Engine - Cylinder Head Rg38044	136	Fuel System Tier 3	250
Engine - Rockers Rg38044	138	Fuel System - Fuel Tank Tier 3	252
Engine - Camshaft Rg38044	140	Exhaust System From Serial Number H200 7 1093	254
Engine - Lubricating Oil Filler And Breather Rg38044	142	Induction System - Air Filtration	256
Engine - Turbocharger Connections Rg38044	146	Induction System - Air Filter	258
Engine - Exhaust Manifold Rg38044	148	Induction System - Air Filtration With Pre Cleaner	260
Engine - Thermostat And Water Filter Rg38044	150	Induction System - Air Filter	262
Engine - Water Pump Rg38044	152	Cooling System Without Air Conditioning	264
Engine - Crankshaft Pulley Rg38044	154	Cooling System - Radiator Assembly Without Air Conditioning	268
Engine - Flywheel Rg38044	156	Cooling System With Air Conditioning	270
Engine - Flywheel Housing Rg38044	158	Cooling System - Radiator Assembly With Air Conditioning	274
Engine - Oil Pan Rg38044	160	Cooling System Without Air Conditioning	276
Engine - Lubricating Oil Filter And Integral Oil Cooler Rg38044	162	Cooling System - Radiator Assembly Without Air Conditioning	280
Engine - Oil Pump Rg38044	164	Cooling System With Air Conditioning	282
Engine - Fuel System Rg38044	166	Cooling System - Radiator Assembly With Air Conditioning	286
Engine - Fuel Lift Pump Rg38044	170	Torque Converter Powershift	288
Engine - Filter With Fuel Separator Up To Serial Number Tba	172	Drive Line Bolting Powershift	290
Engine - Filter With Fuel Separator From Serial Number Tba	174	Transmission - Oil Filler 4 Wheel Steer	294
Engine - Alternator And Mounting Rg38044	176	Transmission - Drive Shaft 4 Wheel Steer	296
Engine - Glow Plugs Rg38044	178	Transmission - Converter Housing Powershift	298
Engine - Engine Lifting Rg38044	180	Transmission - Housing Powershift	304
Engine - Plug And Blank-Off Plug Rg38044	182	Transmission - Charging Pump Powershift	308
Engine - Joints And Gaskets Rg38044	184	Transmission - Charging Pump Powershift	310
Engine - Joints And Gaskets Rg38044	186	Transmission - Fwd Low / Fwd High Shaft Powershift	312
Engine - Engine Installation Tier 3	188	Transmission - Reverse / First Shaft Powershift	316
Engine - Cylinder Block Tier 3	190	Transmission - Input Shaft Powershift	320
Engine - Pistons And Crankshaft Tier 3	192	Transmission - Second Shaft Powershift	322
Engine - Cylinder Head Tier 3	194	Transmission - Second Shaft Powershift	324
Engine - Rockers And Camshaft Tier 3	196	Transmission - Control Valve Mounting Powershift	328
Engine - Timing Case Tier 3	198	Transmission - Control Valve Powershift	330
Engine - Lubricating Oil Filler And Breather Tier 3	200	Transmission - Drive Plate Powershift	334
Engine - Turbocharger Connections Tier 3	204	Consumable	336
Engine - Exhaust Manifold Tier 3	206	Consumable	340
Engine - Thermostat And Water Pipes Tier 3	208	Consumable	342
Engine - Water Pump Tier 3	210	Consumable	344
Engine - Crankshaft Pulley Tier 3	212	Consumable	346
Engine - Flywheel Tier 3	214	Consumable	348
Engine - Flywheel Housing Tier 3	216	Consumable	350
Engine - Oil Pan Tier 3	218	Consumable	352
Engine - Oil Filter And Integral Oil Cooler Tier 3	220	Consumable	354
Engine - Oil Pump Tier 3	222	Consumable	356
Engine - Fuel System Tier 3	224	Consumable	358
Engine - Fuel Lift Pump Tier 3	228	Gear Change - Transmission Control Unit 4 Speed	360
Engine - Fuel Pipes Tier 3	230	Rear Axle 4 Wheel Steer	364
Engine - Filter With Fuel Separator Tier 3	232	Rear Axle - Housing 4 Wheel Steer	366
Engine - Alternator And Mounting Tier 3	234	Rear Axle - Centre Housing 4 Wheel Steer	368
Engine - Fan Drive Tier 3	236	Rear Axle - Steering Pivot 4 Wheel Steer	370
Engine - Glow Plugs Tier 3	238	Rear Axle - Wheel Hub 4 Wheel Steer	374
Engine - Starter Motor Tier 3	240	Rear Axle - Epicyclic Reduction Gear 4 Wheel Steer	376
Engine - Plugs And Mounts Tier 3	242	Rear Axle - Brakes 4 Wheel Steer	378
Engine - Cylinder Head Auxiliaries Tier 3	244	Rear Axle - Brake Caliper 4 Wheel Steer	380
Fuel System	246	Rear Axle - Brake Caliper 4 Wheel Steer	382
Fuel System - Fuel Tank	248	Rear Axle - Drive Shaft 4 Wheel Steer	384

Rear Axle - Differential Bevel Gear - 4 Wheel Steer . . . . .	386	Tool Kit - Wheel Brace + Grease Gun . . . . .	548
Rear Axle - Differential 4 Wheel Steer . . . . .	388	Service Brake - Brake Circuit From Serial Number Tba . . . . .	550
Rear Axle - Differential Lock Mechanism 4 Wheel Steer . . . . .	390	Service Brake - Brake Circuit From Serial Number Tba . . . . .	552
Hydraulic Valve - Backhoe Control Sideshift Digger Installation . . . . .	392	Differential Lock Powershift . . . . .	554
Hydraulic Valve - Backhoe Control Inlet . . . . .	394	Parking Brake . . . . .	556
Hydraulic Valve - Backhoe Control Slew . . . . .	398	Cab - Frame . . . . .	558
Hydraulic Valve - Backhoe Control Boom . . . . .	404	Cab - Door . . . . .	562
Hydraulic Valve - Backhoe Control Dipper . . . . .	410	Cab - Rear Window . . . . .	568
Hydraulic Valve - Backhoe Control Bucket . . . . .	416	Cab - Outer Roof . . . . .	572
Hydraulic Valve - Backhoe Control Stabilizer . . . . .	422	Cab - Front Worklight . . . . .	576
Hydraulic Valve - Backhoe Control Auxiliary . . . . .	426	Cab - Rear Worklight . . . . .	578
Hydraulic Valve - Backhoe Control Outlet . . . . .	432	Cab - Inner Roof . . . . .	580
Hydraulic Valve - Backhoe Control Centre Mounted Digger Installation . . . . .	434	Cab - Frame . . . . .	582
Hydraulic Valve - Backhoe Control Inlet . . . . .	436	Cab - Door . . . . .	586
Hydraulic Valve - Backhoe Control Slew . . . . .	440	Cab - Rear Window . . . . .	592
Hydraulic Valve - Backhoe Control Boom . . . . .	446	Cab - Outer Roof . . . . .	596
Hydraulic Valve - Backhoe Control Dipper . . . . .	452	Cab - Inner Roof . . . . .	600
Hydraulic Valve - Backhoe Control Bucket . . . . .	458	Cab Trim - Windscreen Wiper . . . . .	602
Hydraulic Valve - Backhoe Control Stabilizer . . . . .	464	Cab - Front Worklight . . . . .	604
Hydraulic Valve - Backhoe Control Auxiliary . . . . .	468	Cab - Rear Worklight . . . . .	606
Hydraulic Valve - Backhoe Control Outlet . . . . .	474	Cab Trim - Heater . . . . .	608
Hydraulic Valve - Backhoe Control Sideshift Digger Installation . . . . .	476	Cab Trim - Console . . . . .	610
Hydraulic Valve - Backhoe Control Sideshift Digger Installation . . . . .	480	Cab Trim - Console RH . . . . .	612
Hydraulic Valve - Backhoe Control Sideshift Digger Installation . . . . .	482	Cab Side Console - Fuse & Relay Board . . . . .	614
Hydraulic Valve - Backhoe Control Sideshift Digger Installation . . . . .	484	Cab Trim - Cab Mounting . . . . .	618
Hydraulic Valve - Backhoe Control Sideshift Digger Installation . . . . .	486	Cab Trim - Floorplate Cab . . . . .	620
Hydraulic Valve - Backhoe Control Sideshift Digger Installation . . . . .	488	Cab Trim - Console . . . . .	622
Hydraulic Valve - Backhoe Control Sideshift Digger Installation . . . . .	490	Cab Trim - Windscreen Wiper . . . . .	624
Hydraulic Valve - Backhoe Control Sideshift Digger Installation . . . . .	492	Cab Trim - Cab Mounting . . . . .	626
Hydraulic Valve - Backhoe Control Sideshift Digger Installation . . . . .	494	Cab Trim - Floorplate & Digger Tower . . . . .	628
Hydraulic Valve - Backhoe Control Centre Mounted Digger Installation . . . . .	496	Cab Trim - Mats . . . . .	630
Hydraulic Valve - Backhoe Control Centre Mounted Digger Installation . . . . .	498	Cab Trim - Mats . . . . .	632
Hydraulic Valve - Backhoe Control Centre Mounted Digger Installation . . . . .	500	Cab Environment - Heater Installation Front . . . . .	634
Hydraulic Valve - Backhoe Control Centre Mounted Digger Installation . . . . .	502	Cab Environment - Heater Installation Rear . . . . .	638
Hydraulic Valve - Backhoe Control Centre Mounted Digger Installation . . . . .	504	Cab Environment - Heater Unit . . . . .	640
Hydraulic Valve - Backhoe Control Centre Mounted Digger Installation . . . . .	506	Cab Environment - Air Conditioning Installation . . . . .	642
Hydraulic Valve - Backhoe Control Centre Mounted Digger Installation . . . . .	508	Cab Environment - Heater Installation Front . . . . .	646
Hydraulic Valve - Backhoe Control Centre Mounted Digger Installation . . . . .	510	Cab Environment - Air Conditioning Installation Rear . . . . .	650
Hydraulic Valve - Backhoe Control Centre Mounted Digger Installation . . . . .	512	Cab Environment - Air Conditioning Unit . . . . .	652
Torque Converter - Hydraulic Lines Powershift . . . . .	514	Front Console - Installation Cab . . . . .	656
Main Hydraulics - Hydraulic Lines Powershift . . . . .	516	Front Console Cab . . . . .	658
Main Hydraulics - Hydraulic Lines Powershift . . . . .	520	Front Console - Instrument Panel Cab . . . . .	660
Main Hydraulics - Oil Filter Powershift . . . . .	524	Front Console - Forward/Reverse Switch Cab . . . . .	662
Main Hydraulics - Solenoid Valve Powershift . . . . .	526	Front Console - Installation Cab . . . . .	664
Hydraulic Reservoir Powershift . . . . .	528	Front Console Cab . . . . .	666
Main Hydraulics - Tandem Pump Powershift . . . . .	530	Front Console - Instrument Panel Cab . . . . .	668
Control Box - Installation From Serial Number Tba . . . . .	532	Front Console - Forward/Reverse Switch Cab . . . . .	670
Control Box Control Pedals . . . . .	534	Front Console - Installation Cab . . . . .	672
Control Box Hydraulics . . . . .	538	Front Console Cab . . . . .	674
Control Box Brake Cylinder . . . . .	540	Front Console - Instrument Panel Cab . . . . .	676
Control Box Steering . . . . .	542	Front Console - Forward/Reverse Switch Cab . . . . .	678
Throttle Controls . . . . .	544	Front Console - Installation Cab . . . . .	680
Throttle Controls Lever, Control . . . . .	546	Front Console Cab . . . . .	682

Front Console - Instrument Panel Cab . . . . .	684	Loader - Arms White . . . . .	806
Front Console - Forward/Reverse Switch Cab . . . . .	686	Loader - Links White . . . . .	810
Side Console Switchpack . . . . .	688	Loader - Return To Dig Mechanical . . . . .	812
Side Console - Instrument Panel Switchpack . . . . .	692	Loader - Return To Dig Mechanical . . . . .	816
Side Console - Fuse & Relay Board . . . . .	694	Loader - Safety Strut . . . . .	820
Side Console Switchpack . . . . .	696	Loader Bucket - Standard For Use With Forks . . . . .	822
Side Console - Instrument Panel Switchpack . . . . .	700	Loader Bucket - 7 In 1 . . . . .	824
Side Console - Fuse & Relay Board . . . . .	702	Loader Bucket - 7 In 1 Bucket Pipework . . . . .	826
Side Console Switchpack . . . . .	704	Loader Bucket - 7 In 1 Cylinder . . . . .	828
Side Console - Instrument Panel Switchpack . . . . .	706	Loader Bucket Less Bucket . . . . .	830
Side Console Switchpack . . . . .	708	Loader Hydraulics - Lift Cylinder High Speci•cation . . . . .	832
Side Console - Instrument Panel Switchpack . . . . .	710	Loader Hydraulics - Lift Cylinder High Speci•cation Pacoma . . . . .	836
Chassis Electrics . . . . .	712	Loader Hydraulics - Lift Cylinder High Speci•cation Wipro . . . . .	838
Battery - Single From Serial Number H200 4 2919 . . . . .	716	Loader Hydraulics - Bucket Cylinder High Speci•cation . . . . .	840
Battery - Dual From Serial Number H200 4 2919 . . . . .	718	Loader Hydraulics - Bucket Cylinder High Speci•cation Pacoma . . . . .	844
Battery - Single Tier 3 . . . . .	720	Loader Hydraulics - Bucket Cylinder High Speci•cation Wipro . . . . .	846
Battery - Dual Tier 3 . . . . .	722	Loader Hydraulics - Lift Cylinder High Speci•cation . . . . .	848
Rear Lighting - Sideshift . . . . .	724	Loader Hydraulics - Lift Cylinder High Speci•cation Pacoma . . . . .	852
Rear Lighting - Centremount . . . . .	726	Loader Hydraulics - Lift Cylinder High Speci•cation Wipro . . . . .	854
Rear Lighting - ROPS . . . . .	728	Loader Hydraulics - Bucket Cylinder High Speci•cation . . . . .	856
Front Lighting - Headlights Left Hand Dip . . . . .	730	Loader Hydraulics - Bucket Cylinder High Speci•cation Pacoma . . . . .	860
Front Lighting - Headlights Right Hand Dip . . . . .	732	Loader Hydraulics - Bucket Cylinder High Speci•cation Wipro . . . . .	862
Mirrors - Cab . . . . .	734	Loader Hydraulics - Lift Cylinder High Speci•cation . . . . .	864
Seat - Seat Installation Fabric Trim - Cab Machines . . . . .	736	Loader Hydraulics - Lift Cylinder High Speci•cation Pacoma . . . . .	868
Seat - Fabric Trim Cab . . . . .	738	Loader Hydraulics - Lift Cylinder High Speci•cation Wipro . . . . .	870
Seat - Seat Installation Air Suspension . . . . .	740	Loader Hydraulics - Bucket Cylinder Standard Speci•cation . . . . .	872
Seat - Fabric Trim Air Suspension . . . . .	742	Loader Hydraulics - Bucket Cylinder High Speci•cation Pacoma . . . . .	874
Seat - Seat Installation Air Suspension . . . . .	744	Loader Hydraulics - Bucket Cylinder High Speci•cation Wipro . . . . .	876
Front Fenders 4 Wheel Steer . . . . .	750	Loader Hydraulics - Lift Cylinder High Speci•cation . . . . .	878
Ride Control - Hydraulic Circuit English . . . . .	752	Loader Hydraulics - Lift Cylinder High Speci•cation Pacoma . . . . .	882
Ride Control - Hydraulic Circuit English . . . . .	754	Loader Hydraulics - Lift Cylinder High Speci•cation Wipro . . . . .	884
Ride Control - Hydraulic Circuit Less Ride Control . . . . .	756	Loader Hydraulics - Bucket Cylinder High Speci•cation . . . . .	886
Ride Control - Hydraulic Circuit French . . . . .	758	Loader Hydraulics - Bucket Cylinder High Speci•cation Pacoma . . . . .	890
Ride Control - Hydraulic Circuit French . . . . .	760	Loader Hydraulics - Bucket Cylinder High Speci•cation Wipro . . . . .	892
Ride Control - Hydraulic Circuit German . . . . .	762	Loader Hydraulics - Lift Cylinder High Speci•cation . . . . .	894
Ride Control - Hydraulic Circuit German . . . . .	764	Loader Hydraulics - Lift Cylinder High Speci•cation Pacoma . . . . .	898
Ride Control - Hydraulic Circuit Italian . . . . .	766	Loader Hydraulics - Lift Cylinder High Speci•cation Wipro . . . . .	900
Ride Control - Hydraulic Circuit Italian . . . . .	768	Loader Hydraulics - Bucket Cylinder High Speci•cation . . . . .	902
Ride Control - Hydraulic Circuit Spanish . . . . .	770	Loader Hydraulics - Bucket Cylinder High Speci•cation Pacoma . . . . .	906
Ride Control - Hydraulic Circuit Spanish . . . . .	772	Loader Hydraulics - Bucket Cylinder High Speci•cation Wipro . . . . .	908
Ride Control - Hydraulic Circuit Dutch . . . . .	774	Loader Hydraulics - Lift Cylinder High Speci•cation . . . . .	910
Ride Control - Hydraulic Circuit Dutch . . . . .	776	Loader Hydraulics - Lift Cylinder High Speci•cation Pacoma . . . . .	914
Ride Control - Hydraulic Circuit Danish . . . . .	778	Loader Hydraulics - Lift Cylinder High Speci•cation Wipro . . . . .	916
Ride Control - Hydraulic Circuit Danish . . . . .	780	Loader Hydraulics - Bucket Cylinder High Speci•cation . . . . .	918
Ride Control - Hydraulic Circuit . . . . .	782	Loader Hydraulics - Bucket Cylinder High Speci•cation Pacoma . . . . .	922
Ride Control - Hydraulic Circuit Solenoid Valve . . . . .	784	Loader Hydraulics - Bucket Cylinder High Speci•cation Wipro . . . . .	924
Ride Control - Hydraulic Circuit . . . . .	786	Hose Burst Kit Loader Arm Cylinder . . . . .	926
Ride Control - Hydraulic Circuit Solenoid Valve . . . . .	788	Hose Burst Kit Loader Bucket Cylinder . . . . .	930
Loader - Arms Yellow . . . . .	790	Hose Burst Kit Boom Cylinder . . . . .	934
Loader - Links Yellow . . . . .	794	Hose Burst Kit Dipper Cylinder . . . . .	936
Loader - Return To Dig Mechanical . . . . .	796	Loader Controls Upper Control Levers . . . . .	938
Loader - Return To Dig Mechanical . . . . .	800	Loader Controls Lower Control Levers . . . . .	942
Loader - Safety Strut . . . . .	804	Loader Controls Control Valve . . . . .	946

Loader Controls - Hydraulic Valve Inlet	948	Loader Controls Upper Control Levers	1070
Loader Controls - Hydraulic Valve Loader Arm Section	950	Loader Controls Lower Control Levers	1074
Loader Controls - Hydraulic Valve Standard Bucket Section	952	Loader Controls Control Valve	1078
Loader Controls - Hydraulic Valve Standard Bucket Section	954	Loader Controls - Hydraulic Valve Inlet	1080
Loader Controls - Hydraulic Valve Standard Bucket Section	956	Loader Controls - Hydraulic Valve Loader Arm Section	1082
Loader Controls Upper Control Levers	958	Loader Controls - Hydraulic Valve Standard Bucket Section	1084
Loader Controls Lower Control Levers	962	Loader Controls - Hydraulic Valve Standard Bucket Section	1086
Loader Controls Control Valve	966	Loader Controls - Hydraulic Valve Standard Bucket Section	1088
Loader Controls - Hydraulic Valve Inlet	968	Boom Transport Lock Sideshift Digger	1094
Loader Controls - Hydraulic Valve Loader Arm Section	970	Boom Transport Lock Centre Mounted Digger	1096
Loader Controls - Hydraulic Valve Standard Bucket Section	972	Digger Stabilisers - Sideshift Hydraulic Installation	1098
Loader Controls - Hydraulic Valve Standard Bucket Section	974	Digger Stabilisers - Sideshift Mechanical Installation	1100
Loader Controls - Hydraulic Valve Standard Bucket Section	976	Digger Stabilisers - Sideshift Hydraulic Installation	1102
Loader Controls Upper Control Levers	978	Digger Stabilisers - Sideshift Stabilizer Cylinder	1104
Loader Controls Lower Control Levers	980	Digger Stabilisers - Sideshift Stabilizer Cylinder	1106
Loader Controls Control Valve	984	Digger Stabilisers - Sideshift Lock-Out Valve	1108
Loader Controls - Hydraulic Valve Inlet	986	Digger Swing Pivot - Sideshift	1110
Loader Controls - Hydraulic Valve Loader Arm Section	988	Digger Swing Pivot - Sideshift Swing Cylinder Pacoma	1114
Loader Controls - Hydraulic Valve Standard Bucket Section	990	Digger Swing Pivot - Sideshift Swing Cylinder Wipro	1116
Loader Controls - Hydraulic Valve Standard Bucket Section	992	Digger Swing Pivot - Centremount	1118
Loader Controls - Hydraulic Valve Standard Bucket Section	994	Digger Swing Pivot - Centremount Swing Cylinder Pacoma	1120
Loader Controls Upper Control Levers	996	Digger Swing Pivot - Centremount Swing Cylinder Wipro	1122
Loader Controls Lower Control Levers	998	Boom	1124
Loader Controls Control Valve	1002	Boom	1126
Loader Controls - Hydraulic Valve Inlet	1004	Not Serviced	1128
Loader Controls - Hydraulic Valve Loader Arm Section	1006	Dipper - Standard	1130
Loader Controls - Hydraulic Valve Standard Bucket Section	1008	Dipper - Standard	1132
Loader Controls - Hydraulic Valve Standard Bucket Section	1010	Dipper - Extendahoe	1134
Loader Controls - Hydraulic Valve Standard Bucket Section	1012	Dipper - Extendahoe Cylinder	1140
Loader Controls Upper Control Levers	1014	Dipper - Extendahoe	1142
Loader Controls Lower Control Levers	1016	Dipper - Extendahoe Cylinder	1148
Loader Controls Control Valve	1020	Dipper - Standard Case Bucket	1150
Loader Controls - Hydraulic Valve Inlet	1022	Dipper - Standard Case Bucket	1152
Loader Controls - Hydraulic Valve Loader Arm Section	1024	Dipper - Extendahoe Case Bucket	1154
Loader Controls - Hydraulic Valve Standard Bucket Section	1026	Dipper - Extendahoe Cylinder	1160
Loader Controls - Hydraulic Valve Standard Bucket Section	1028	Dipper - Extendahoe Case Bucket	1162
Loader Controls - Hydraulic Valve Standard Bucket Section	1030	Dipper - Extendahoe Cylinder	1168
Loader Controls Upper Control Levers	1032	Dipper - Standard Jcb Bucket	1170
Loader Controls Lower Control Levers	1036	Dipper - Standard Jcb Bucket	1172
Loader Controls Control Valve	1040	Dipper - Extendahoe Jcb Bucket	1174
Loader Controls - Hydraulic Valve Inlet	1042	Dipper - Extendahoe Cylinder	1180
Loader Controls - Hydraulic Valve Loader Arm Section	1044	Dipper - Extendahoe Jcb Bucket	1182
Loader Controls - Hydraulic Valve Standard Bucket Section	1046	Dipper - Extendahoe Cylinder	1188
Loader Controls - Hydraulic Valve Standard Bucket Section	1048	Digger Bucket Linkage	1190
Loader Controls - Hydraulic Valve Standard Bucket Section	1050	Digger Bucket Linkage	1192
Loader Controls Upper Control Levers	1052	Digger Bucket Linkage - Jcb Buckets	1194
Loader Controls Lower Control Levers	1054	Digger Bucket Linkage - Jcb Buckets	1196
Loader Controls Control Valve	1058	Digger Bucket Linkage - Case Buckets	1198
Loader Controls - Hydraulic Valve Inlet	1060	Digger Bucket Linkage - Case Buckets	1200
Loader Controls - Hydraulic Valve Loader Arm Section	1062	Digger Hydraulics - Sideshift Bucket	1202
Loader Controls - Hydraulic Valve Standard Bucket Section	1064	Digger Hydraulics - Sideshift Bucket Cylinder - Pacoma	1206
Loader Controls - Hydraulic Valve Standard Bucket Section	1066	Digger Hydraulics - Sideshift Bucket Cylinder - Wipro	1208
Loader Controls - Hydraulic Valve Standard Bucket Section	1068	Digger Hydraulics - Sideshift Standard Dipper	1210

Digger Hydraulics - Sideshift Dipper Cylinder - Pacoma	1212	Digger Hydraulics - Sideshift Dipper Cylinder - Wipro	1342
Digger Hydraulics - Sideshift Dipper Cylinder - Wipro	1214	Digger Hydraulics - Centremount Boom 4.5m	1344
Digger Hydraulics - Sideshift Boom	1216	Digger Hydraulics - Centremount Boom Cylinder - Pacoma	1346
Digger Hydraulics - Sideshift Boom Cylinder Pacoma	1218	Digger Hydraulics - Centremount Boom Cylinder - Wipro	1348
Digger Hydraulics - Sideshift Boom Cylinder Wipro	1220	Digger Hydraulics - Centremount Swing Components	1350
Digger Hydraulics - Sideshift Swing Components	1222	Digger Hydraulics - Centremount Bucket	1352
Digger Hydraulics - Sideshift Clamp	1224	Digger Hydraulics - Centremount Bucket Cylinder - Pacoma	1356
Digger Hydraulics - Sideshift Attachment	1226	Digger Hydraulics - Sideshift Bucket Cylinder - Wipro	1358
Digger Hydraulics - Sideshift Attachment	1230	Digger Hydraulics - Centremount Telescopic Dipper	1360
Digger Hydraulics - Sideshift Bucket	1234	Digger Hydraulics - Centremount Dipper Cylinder - Pacoma	1362
Digger Hydraulics - Sideshift Bucket Cylinder - Pacoma	1238	Digger Hydraulics - Sideshift Dipper Cylinder - Wipro	1364
Digger Hydraulics - Sideshift Bucket Cylinder - Wipro	1240	Digger Hydraulics - Centremount Boom 4.5m	1366
Digger Hydraulics - Sideshift Telescopic Dipper	1242	Digger Hydraulics - Centremount Boom Cylinder - Pacoma	1368
Digger Hydraulics - Sideshift Dipper Cylinder - Pacoma	1244	Digger Hydraulics - Centremount Boom Cylinder - Wipro	1370
Digger Hydraulics - Sideshift Dipper Cylinder - Wipro	1246	Digger Hydraulics - Centremount Swing Components	1372
Digger Hydraulics - Sideshift Boom	1248	Digger Hydraulics - Centremount Bucket	1374
Digger Hydraulics - Sideshift Boom Cylinder Pacoma	1250	Digger Hydraulics - Centremount Bucket Cylinder - Pacoma	1378
Digger Hydraulics - Sideshift Boom Cylinder Wipro	1252	Digger Hydraulics - Sideshift Bucket Cylinder - Wipro	1380
Digger Hydraulics - Sideshift Swing Components	1254	Digger Hydraulics - Centremount Standard Dipper	1382
Digger Hydraulics - Sideshift Clamp	1256	Digger Hydraulics - Centremount Dipper Cylinder - Pacoma	1384
Digger Hydraulics - Sideshift Attachment	1258	Digger Hydraulics - Sideshift Dipper Cylinder - Wipro	1386
Digger Hydraulics - Sideshift Attachment	1262	Digger Hydraulics - Centremount Boom	1388
Digger Hydraulics - Sideshift Bucket	1266	Digger Hydraulics - Centremount Boom Cylinder - Pacoma	1390
Digger Hydraulics - Sideshift Bucket Cylinder - Pacoma	1270	Digger Hydraulics - Centremount Boom Cylinder - Wipro	1392
Digger Hydraulics - Sideshift Bucket Cylinder - Wipro	1272	Digger Hydraulics - Centremount Swing Components	1394
Digger Hydraulics - Sideshift Standard Dipper	1274	Digger Hydraulics - Centremount Bucket	1396
Digger Hydraulics - Sideshift Dipper Cylinder - Pacoma	1276	Digger Hydraulics - Centremount Bucket Cylinder - Pacoma	1400
Digger Hydraulics - Sideshift Dipper Cylinder - Wipro	1278	Digger Hydraulics - Sideshift Bucket Cylinder - Wipro	1402
Digger Hydraulics - Sideshift Boom	1280	Digger Hydraulics - Centremount Telescopic Dipper	1404
Digger Hydraulics - Sideshift Boom Cylinder Pacoma	1282	Digger Hydraulics - Centremount Dipper Cylinder - Pacoma	1406
Digger Hydraulics - Sideshift Boom Cylinder Wipro	1284	Digger Hydraulics - Sideshift Dipper Cylinder - Wipro	1408
Digger Hydraulics - Sideshift Swing Components	1286	Digger Hydraulics - Centremount Boom	1410
Digger Hydraulics - Sideshift Clamp	1288	Digger Hydraulics - Centremount Boom Cylinder - Pacoma	1412
Digger Hydraulics - Sideshift Attachment	1290	Digger Hydraulics - Centremount Boom Cylinder - Wipro	1414
Digger Hydraulics - Sideshift Attachment	1294	Digger Hydraulics - Centremount Swing Components	1416
Digger Hydraulics - Sideshift Bucket	1298	Digger Hydraulics - Centremount Bucket	1418
Digger Hydraulics - Sideshift Bucket Cylinder - Pacoma	1302	Digger Hydraulics - Centremount Bucket Cylinder - Pacoma	1422
Digger Hydraulics - Sideshift Bucket Cylinder - Wipro	1304	Digger Hydraulics - Sideshift Bucket Cylinder - Wipro	1424
Digger Hydraulics - Sideshift Telescopic Dipper	1306	Digger Hydraulics - Centremount Standard Dipper	1426
Digger Hydraulics - Sideshift Dipper Cylinder - Pacoma	1308	Digger Hydraulics - Centremount Dipper Cylinder - Pacoma	1428
Digger Hydraulics - Sideshift Dipper Cylinder - Wipro	1310	Digger Hydraulics - Sideshift Dipper Cylinder - Wipro	1430
Digger Hydraulics - Sideshift Boom	1312	Digger Hydraulics - Centremount Boom 4.5m	1432
Digger Hydraulics - Sideshift Boom Cylinder - Pacoma	1314	Digger Hydraulics - Centremount Boom Cylinder - Pacoma	1434
Digger Hydraulics - Sideshift Boom Cylinder - Wipro	1316	Digger Hydraulics - Centremount Boom Cylinder - Wipro	1436
Digger Hydraulics - Sideshift Swing Components	1318	Digger Hydraulics - Centremount Swing Components	1438
Digger Hydraulics - Sideshift Clamp	1320	Digger Hydraulics - Centremount Bucket	1440
Digger Hydraulics - Sideshift Attachment	1322	Digger Hydraulics - Centremount Bucket Cylinder - Pacoma	1444
Digger Hydraulics - Sideshift Attachment	1326	Digger Hydraulics - Sideshift Bucket Cylinder - Wipro	1446
Digger Hydraulics - Centremount Bucket	1330	Digger Hydraulics - Centremount Telescopic Dipper	1448
Digger Hydraulics - Centremount Bucket Cylinder - Pacoma	1334	Digger Hydraulics - Centremount Dipper Cylinder - Pacoma	1450
Digger Hydraulics - Sideshift Bucket Cylinder - Wipro	1336	Digger Hydraulics - Sideshift Dipper Cylinder - Wipro	1452
Digger Hydraulics - Centremount Standard Dipper	1338	Digger Hydraulics - Centremount Boom 4.5m	1454
Digger Hydraulics - Centremount Dipper Cylinder - Pacoma	1340	Digger Hydraulics - Centremount Boom Cylinder - Pacoma	1456

Digger Hydraulics - Centremount Boom Cylinder - Wipro	1458	Auxiliary Hydraulics - Centremount Telescopic Dipper - Boom 4.9m	1588
Digger Hydraulics - Centremount Swing Components	1460	Auxiliary Hydraulics - Centremount Standard Dipper	1592
Digger Hydraulics - Centremount Bucket	1462	Auxiliary Hydraulics - Centremount Standard Dipper	1594
Digger Hydraulics - Centremount Bucket Cylinder - Pacoma	1466	Auxiliary Hydraulics - Centremount Control Pedal	1596
Digger Hydraulics - Sideshift Bucket Cylinder - Wipro	1468	Auxiliary Hydraulics - Centremount Standard Dipper	1598
Digger Hydraulics - Centremount Standard Dipper	1470	Auxiliary Hydraulics - Centremount Standard Dipper	1600
Digger Hydraulics - Centremount Dipper Cylinder - Pacoma	1472	Auxiliary Hydraulics - Centremount Control Pedal	1602
Digger Hydraulics - Sideshift Dipper Cylinder - Wipro	1474	Not Serviced	1604
Digger Hydraulics - Centremount Boom	1476	Digger Bucket - Standard	1606
Digger Hydraulics - Centremount Boom Cylinder - Pacoma	1478	Digger Bucket - Standard	1608
Digger Hydraulics - Centremount Boom Cylinder - Wipro	1480	Digger Bucket - Standard	1610
Digger Hydraulics - Centremount Swing Components	1482	Digger Bucket - Standard	1612
Digger Hydraulics - Centremount Bucket	1484	Digger Bucket - Standard 305 Mm	1614
Digger Hydraulics - Centremount Bucket Cylinder - Pacoma	1488	Digger Bucket - Ditch Cleaning	1616
Digger Hydraulics - Sideshift Bucket Cylinder - Wipro	1490	Digger Bucket - Ditch Cleaning	1618
Digger Hydraulics - Centremount Telescopic Dipper	1492	Digger Bucket - Gannon 12 In	1620
Digger Hydraulics - Centremount Dipper Cylinder - Pacoma	1494	Digger Bucket - Gannon 18 In	1622
Digger Hydraulics - Sideshift Dipper Cylinder - Wipro	1496	Digger Bucket - Gannon 24 In	1624
Digger Hydraulics - Centremount Boom	1498	Not Serviced	1626
Digger Hydraulics - Centremount Boom Cylinder - Pacoma	1500	Digger Bucket - Premium	1628
Digger Hydraulics - Centremount Boom Cylinder - Wipro	1502	Digger Bucket - Premium	1630
Digger Hydraulics - Centremount Swing Components	1504	Digger Bucket - Premium	1632
Digger Controls Standard	1506	Digger Bucket - Premium	1634
Digger Controls ISO	1508	Digger Bucket - Premium	1636
Digger Controls X Pattern	1512	Digger Bucket - Ditch Maintenance	1638
Digger Controls ISO / Sae	1514	Digger Bucket - Ditch Maintenance	1640
Extendahoe Hydraulics - Sideshift Without Auxiliary Hydraulics	1518	Digger Bucket - Ditch Digging	1642
Extendahoe Hydraulics - Sideshift Control Pedal	1520	Digger Bucket - Jcb	1644
Extendahoe Hydraulics - Sideshift With Auxiliary Hydraulics	1522	Digger Bucket - Jcb	1646
Extendahoe Hydraulics - Sideshift Control Pedal	1524	Digger Bucket - Jcb	1648
Extendahoe Hydraulics - Centremount Without Auxiliary Hydraulics	1526	Digger Bucket - Jcb	1650
Extendahoe Hydraulics - Centremount Control Pedal	1528	Digger Bucket - Jcb	1652
Extendahoe Hydraulics - Centremount Without Auxiliary Hydraulics	1530	Digger Bucket - Ditch Maintenance Jcb Bucket	1654
Extendahoe Hydraulics - Centremount Control Pedal	1532	Digger Bucket - Ditch Maintenance Jcb Bucket	1656
Extendahoe Hydraulics - Centremount With Auxiliary Hydraulics	1534	Not Serviced	1658
Extendahoe Hydraulics - Centremount Control Pedal	1536	Rear Fenders 4 Wheel Steer	1660
Extendahoe Hydraulics - Centremount With Auxiliary Hydraulics	1538	Rear Fenders - Sideshift Mudguard	1662
Extendahoe Hydraulics - Centremount Control Pedal	1540	Rear Fenders 4 Wheel Steer	1664
Extendahoe Hydraulics Less Control Pedal	1542	Rear Fenders - Sideshift Mudguard	1666
Extendahoe Hydraulics Control Pedal	1544	Rear Fenders 4 Wheel Steer	1668
Not Serviced	1546	Rear Fenders 4 Wheel Steer	1670
Stabiliser Controls - Sideshift Digger	1548	Rear Fenders 4 Wheel Steer	1674
Stabiliser Controls - Sideshift Digger	1552	Decals - Machine Identity	1676
Stabiliser Controls - Centremount Digger	1554	Decals - Warnings General Markets	1678
Stabiliser Controls - Centremount Digger	1558	Decals - Instructions General Markets	1680
Auxiliary Hydraulics - Sideshift Telescopic Dipper	1560	Decals - Miscellaneous General Markets	1682
Auxiliary Hydraulics - Sideshift Telescopic Dipper	1564	Decals - Warnings French	1684
Auxiliary Hydraulics - Sideshift Standard Dipper	1570	Decals - Instructions French	1686
Auxiliary Hydraulics - Sideshift Standard Dipper	1574	Decals - Miscellaneous French	1688
Auxiliary Hydraulics - Sideshift Control Pedal	1578	Decals - Warnings Italian	1690
Auxiliary Hydraulics - Centremount Telescopic Dipper - Boom 4.5m	1580	Decals - Instructions Italian	1692
Auxiliary Hydraulics - Centremount Telescopic Dipper - Boom 4.5m	1582	Decals - Miscellaneous Italian	1694
Auxiliary Hydraulics - Centremount Telescopic Dipper - Boom 4.9m	1586	Decals - Warnings	1696

Decals - Instructions . . . . .	1698	Bucket Pins Kit Single . . . . .	1804
Decals - Miscellaneous . . . . .	1700	Bucket Pins Kit Double . . . . .	1806
Decals - Warnings Austria . . . . .	1702	Jcb Bucket Pins Kit Single . . . . .	1808
Decals - Instructions Austria . . . . .	1704	Jcb Bucket Pins Kit Double . . . . .	1810
Decals - Miscellaneous Austria . . . . .	1706	Bucket Pins Kit Loader . . . . .	1812
Decals - Warnings German . . . . .	1708	Not Serviced . . . . .	1814
Decals - Instructions German . . . . .	1710	Digger Craning Eye Kit Sideshift Digger . . . . .	1816
Decals - Miscellaneous German . . . . .	1712	Digger Craning Eye Kit Centre Mounted Digger . . . . .	1818
Decals - Warnings . . . . .	1714	Digger Craning Eye Kit Sideshift Digger . . . . .	1820
Decals - Instructions . . . . .	1716	Digger Craning Eye Kit Centre Mounted Digger . . . . .	1822
Decals - Miscellaneous . . . . .	1718	Craning Valve Kit Cab . . . . .	1824
Decals - Warnings . . . . .	1720	Fuel Strainer Kit . . . . .	1828
Decals - Instructions . . . . .	1722	Not Serviced . . . . .	1830
Decals - Miscellaneous . . . . .	1724	Street Pads Kit Sideshift Digger . . . . .	1832
Decals - Warnings . . . . .	1726	Service Tool Kit . . . . .	1834
Decals - Instructions . . . . .	1728	Rotating Beacon Kit Single . . . . .	1836
Decals - Miscellaneous . . . . .	1730	Rotating Beacon Kit Double . . . . .	1838
Decals - Warnings North America . . . . .	1732	Seat Armrest Kit . . . . .	1840
Decals - Instructions North America . . . . .	1734	Kit - Headrest . . . . .	1842
Decals - Miscellaneous North America . . . . .	1736	Steering Wheel Spinner Knob Kit . . . . .	1844
Decals - Warnings General Markets . . . . .	1738	Bucket Blade Kit Wide . . . . .	1846
Decals - Instructions General Markets . . . . .	1740	Bucket Tooth Kit Loader Bucket, 7-In-1 . . . . .	1848
Decals - Miscellaneous General Markets . . . . .	1742	Hose Burst Kit - Quick Attach Boom Cylinder . . . . .	1850
Decals - Warnings . . . . .	1744	Hose Burst Kit - Quick Attach Boom Cylinder . . . . .	1854
Decals - Instructions . . . . .	1746	Hose Bust Kit - Less Quick Attach Boom Cylinder . . . . .	1858
Decals - Miscellaneous . . . . .	1748	Hose Bust Kit - Less Quick Attach Boom Cylinder . . . . .	1862
Decals - Warnings . . . . .	1750	Hose Bust Kit - Less Quick Attach Boom Cylinder . . . . .	1866
Decals - Instructions . . . . .	1752	Hose Burst Kit - Quick Attach Boom Cylinder . . . . .	1868
Decals - Miscellaneous . . . . .	1754	Hose Burst Kit - Quick Attach Boom Cylinder . . . . .	1872
Decals - Warnings . . . . .	1756	Hose Bust Kit - Less Quick Attach Boom Cylinder . . . . .	1876
Decals - Instructions . . . . .	1758	Hose Bust Kit - Less Quick Attach Boom Cylinder . . . . .	1880
Decals - Miscellaneous . . . . .	1760	Hose Bust Kit - Less Quick Attach Boom Cylinder . . . . .	1884
Decals - Warnings German . . . . .	1762	Literature Operator Manual - English . . . . .	1886
Decals - Instructions German . . . . .	1764	Literature Operator Manual - Spanish . . . . .	1888
Decals - Miscellaneous German . . . . .	1766	Literature Operator Manual - French . . . . .	1890
Kit - Forks Loader Bucket . . . . .	1768	Literature Operator Manual - German . . . . .	1892
Kit - Loader Quick Attach Pins . . . . .	1770	Literature Operator Manual - Danish . . . . .	1894
Kit - Loader Quick Attach Tubes . . . . .	1772	Rockguard Kit . . . . .	1896
Kit - Loader Quick Attach . . . . .	1774	Spare Wheels - Rear (M15) . . . . .	1898
Quick Attach, Loader . . . . .	1776	Spare Wheels - Rear (M16) . . . . .	1900
Tooth Guard Kit - With Decal Loader Bucket, 7-In-1 . . . . .	1778	Spare Wheels - Rear (M17) . . . . .	1902
Tooth Guard Kit - With Decal Standard Loader Bucket . . . . .	1780	Spare Wheels - Rear (M15) . . . . .	1904
Transport Height Decal Kit . . . . .	1782	Spare Wheels - Rear (M16) . . . . .	1906
Position Indicator - Loader Arm . . . . .	1784	Spare Wheels - Rear (M17) . . . . .	1908
Headlamp Extension . . . . .	1786	Spare Wheels - Rear (M26a) . . . . .	1910
Digger Stabilisers - Safety Kit . . . . .	1788	Spare Wheels - Rear (M26a) . . . . .	1912
Transport Lock - Loader . . . . .	1790	Stepguards . . . . .	1914
Decals - Craning Valve Kit . . . . .	1792	Bucket Pins Kit Case Bucket . . . . .	1916
Seat Belt Kit . . . . .	1794	Street Pads Kit Sideshift Digger . . . . .	1918
Fan Guard Without Air Conditioning . . . . .	1796	Service Kit - Tier 3 Engine Upgrade . . . . .	1920
Fan Guard With Air Conditioning . . . . .	1798	Literature Spanish . . . . .	1922
Reverse Alarm . . . . .	1800	Literature Finnish . . . . .	1924
Kit - Boom Guard . . . . .	1802	Literature English . . . . .	1926

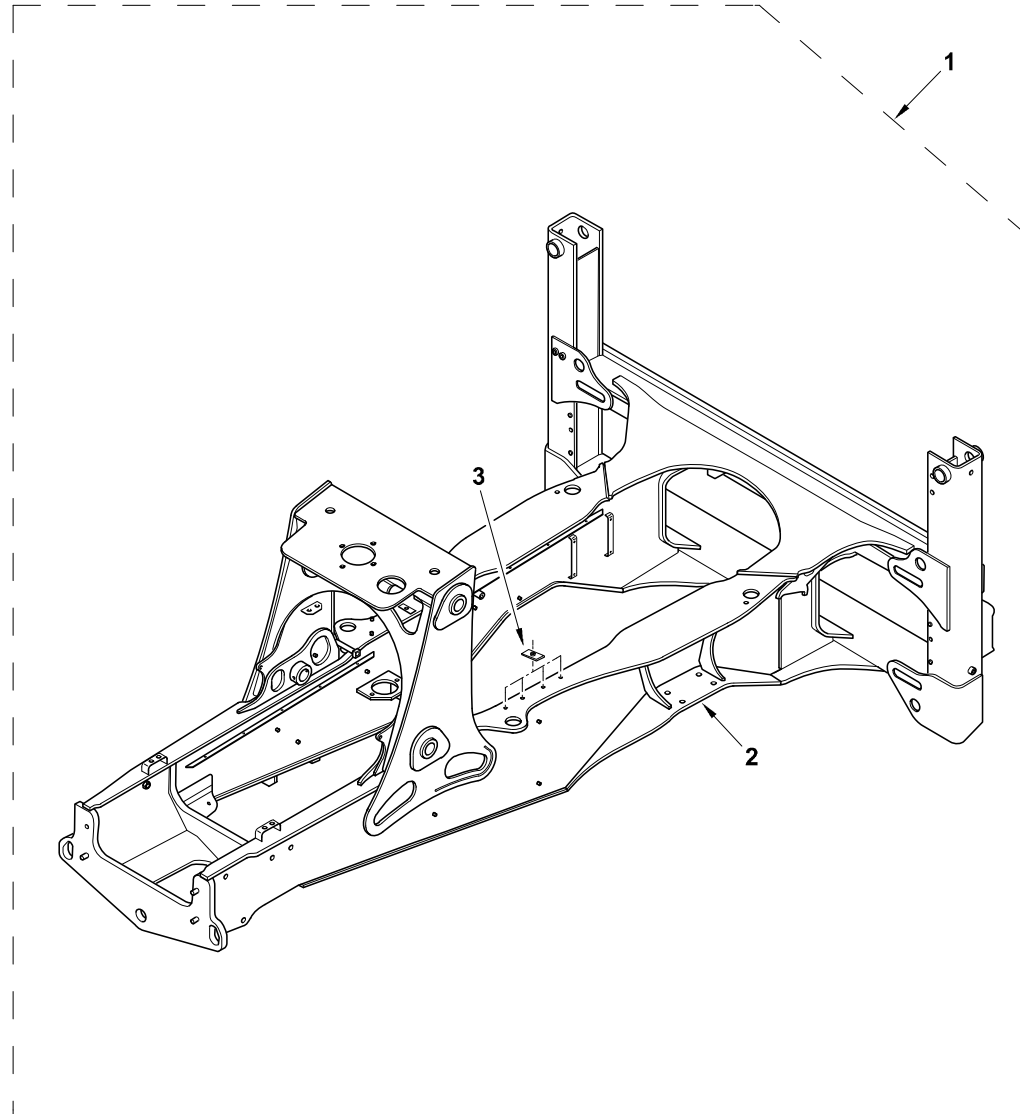


Literature French	1928	Quick Attach, Digger - Sideshift Solenoid Valve	2038
Literature German	1930	Quick Attach, Digger - Sideshift Telescopic Dipper	2040
Literature Italian	1932	Quick Attach, Digger - Sideshift Telescopic Dipper - Boom 4.5m	2042
Literature Portuguese	1934	Quick Attach, Digger - Sideshift Solenoid Valve	2044
Literature Danish	1936	Quick Attach, Digger - Centremount Standard Dipper	2046
Literature Dutch	1938	Quick Attach, Digger - Centremount Standard Dipper	2048
Literature North America	1944	Quick Attach, Digger - Centremount Solenoid Valve	2050
Literature Greek	1946	Quick Attach, Digger - Centremount Standard Dipper	2052
Literature Bulgarian	1948	Quick Attach, Digger - Centremount Standard Dipper	2054
Literature Romanian	1950	Quick Attach, Digger - Centremount Solenoid Valve	2056
Literature Croatian	1952	Quick Attach, Digger - Centremount Telescopic Dipper	2058
Literature Czech	1954	Quick Attach, Digger - Centremount Telescopic Dipper	2060
Literature Estonian	1956	Quick Attach, Digger - Centremount Solenoid Valve	2062
Literature Hungarian	1958	Quick Attach, Digger - Centremount Telescopic Dipper	2064
Literature Latvian	1960	Quick Attach, Digger - Centremount Telescopic Dipper	2066
Literature Lithuanian	1962	Quick Attach, Digger - Centremount Solenoid Valve	2068
Literature Polish	1964	Quick Attach, Digger - Abiljo	2070
Literature Slovakian	1966	Not Serviced	2072
Literature Slovenian	1968	Quick Attach, Digger - Sideshift Standard Dipper	2074
Literature Russian	1970	Quick Attach, Digger - Sideshift Solenoid Valve	2076
Literature Turkish	1972	Quick Attach, Digger - Sideshift Standard Dipper	2078
Quick Attach, Digger - Sideshift Standard Dipper	1974	Quick Attach, Digger - Sideshift Quick Coupler	2080
Quick Attach, Digger - Sideshift Standard Dipper	1976	Quick Attach, Digger - Sideshift Telescopic Dipper	2082
Quick Attach, Digger - Sideshift Solenoid Valve	1978	Quick Attach, Digger - Sideshift Telescopic Dipper	2084
Quick Attach, Digger - Sideshift Quick Coupler	1980	Quick Attach, Digger - Sideshift Solenoid Valve	2086
Quick Attach, Digger - Sideshift Standard Dipper	1982	Quick Attach, Digger - Sideshift Quick Coupler	2088
Quick Attach, Digger - Sideshift Standard Dipper	1984	Quick Attach, Digger - Centremount Standard Dipper - Boom 4.5m	2090
Quick Attach, Digger - Sideshift Solenoid Valve	1986	Quick Attach, Digger - Centremount Standard Dipper - Boom 4.5m	2092
Quick Attach, Digger - Sideshift Telescopic Dipper	1988	Quick Attach, Digger - Centremount Solenoid Valve	2094
Quick Attach, Digger - Sideshift Telescopic Dipper - Boom 4.5m	1990	Quick Attach, Digger - Centremount Quick Coupler	2096
Quick Attach, Digger - Sideshift Solenoid Valve	1992	Quick Attach, Digger - Centremount Standard Dipper - Boom 4.9m	2098
Quick Attach, Digger - Sideshift Quick Coupler	1994	Quick Attach, Digger - Centremount Standard Dipper - Boom 4.9m	2100
Quick Attach, Digger - Sideshift Telescopic Dipper	1996	Quick Attach, Digger - Centremount Solenoid Valve	2102
Quick Attach, Digger - Sideshift Telescopic Dipper - Boom 4.5m	1998	Quick Attach, Digger - Centremount Quick Coupler	2104
Quick Attach, Digger - Sideshift Solenoid Valve	2000	Quick Attach, Digger - Centremount Telescopic Dipper - Boom 4.5m	2106
Quick Attach, Digger - Centremount Standard Dipper - Boom 4.5m	2002	Quick Attach, Digger - Centremount Telescopic Dipper - Boom 4.5m	2108
Quick Attach, Digger - Centremount Standard Dipper - Boom 4.5m	2004	Quick Attach, Digger - Centremount Solenoid Valve	2110
Quick Attach, Digger - Centremount Solenoid Valve	2006	Quick Attach, Digger - Centremount Quick Coupler	2112
Quick Attach, Digger - Centremount Quick Coupler	2008	Quick Attach, Digger - Centremount Telescopic Dipper - Boom 4.9m	2114
Quick Attach, Digger - Centremount Standard Dipper - Boom 4.9m	2010	Quick Attach, Digger - Centremount Telescopic Dipper - Boom 4.9m	2116
Quick Attach, Digger - Centremount Standard Dipper - Boom 4.9m	2012	Quick Attach, Digger - Centremount Solenoid Valve	2118
Quick Attach, Digger - Centremount Solenoid Valve	2014	Quick Attach, Digger - Centremount Quick Coupler	2120
Quick Attach, Digger - Centremount Quick Coupler	2016	Quick Attach, Digger - Sideshift Standard Dipper - Less Q/A	2122
Quick Attach, Digger - Centremount Telescopic Dipper - Boom 4.5m	2018	Quick Attach, Digger - Sideshift Standard Dipper - Less Q/A	2124
Quick Attach, Digger - Centremount Telescopic Dipper - Boom 4.5m	2020	Quick Attach, Digger - Sideshift Solenoid Valve	2126
Quick Attach, Digger - Centremount Solenoid Valve	2022	Quick Attach, Digger - Sideshift Telescopic Dipper - Less Q/A	2128
Quick Attach, Digger - Centremount Quick Coupler	2024	Quick Attach, Digger - Sideshift Telescopic Dipper - Less Q/A	2130
Quick Attach, Digger - Centremount Telescopic Dipper - Boom 4.9m	2026	Quick Attach, Digger - Sideshift Solenoid Valve	2132
Quick Attach, Digger - Centremount Telescopic Dipper - Boom 4.9m	2028	Quick Attach, Digger - Centremount Standard Dipper - Boom 4.5m - Less Q/A	2134
Quick Attach, Digger - Centremount Solenoid Valve	2030	Quick Attach, Digger - Centremount Standard Dipper - Boom 4.5m - Less Q/A	2136
Quick Attach, Digger - Centremount Quick Coupler	2032	Quick Attach, Digger - Centremount Solenoid Valve	2138
Quick Attach, Digger - Sideshift Standard Dipper	2034	Quick Attach, Digger - Centremount Standard Dipper - Boom 4.9m - Less Q/A	2140
Quick Attach, Digger - Sideshift Standard Dipper	2036	Quick Attach, Digger - Centremount Standard Dipper - Boom 4.9m - Less Q/A	2142

Quick Attach, Digger - Centremount Solenoid Valve . . . . .	2144
Quick Attach, Digger - Centremount Telescopic Dipper - Boom 4.5m - Less Q/A . . . . .	2146
Quick Attach, Digger - Centremount Telescopic Dipper - Boom 4.5m - Less Q/A . . . . .	2148
Quick Attach, Digger - Centremount Solenoid Valve . . . . .	2150
Quick Attach, Digger - Centremount Telescopic Dipper - Boom 4.9m - Less Q/A . . . . .	2152
Quick Attach, Digger - Centremount Telescopic Dipper - Boom 4.9m - Less Q/A . . . . .	2154
Quick Attach, Digger - Centremount Solenoid Valve . . . . .	2156
Quick Attach - Miller Mechanical . . . . .	2158

**THIS PAGE INTENTIONALLY LEFT BLANK**

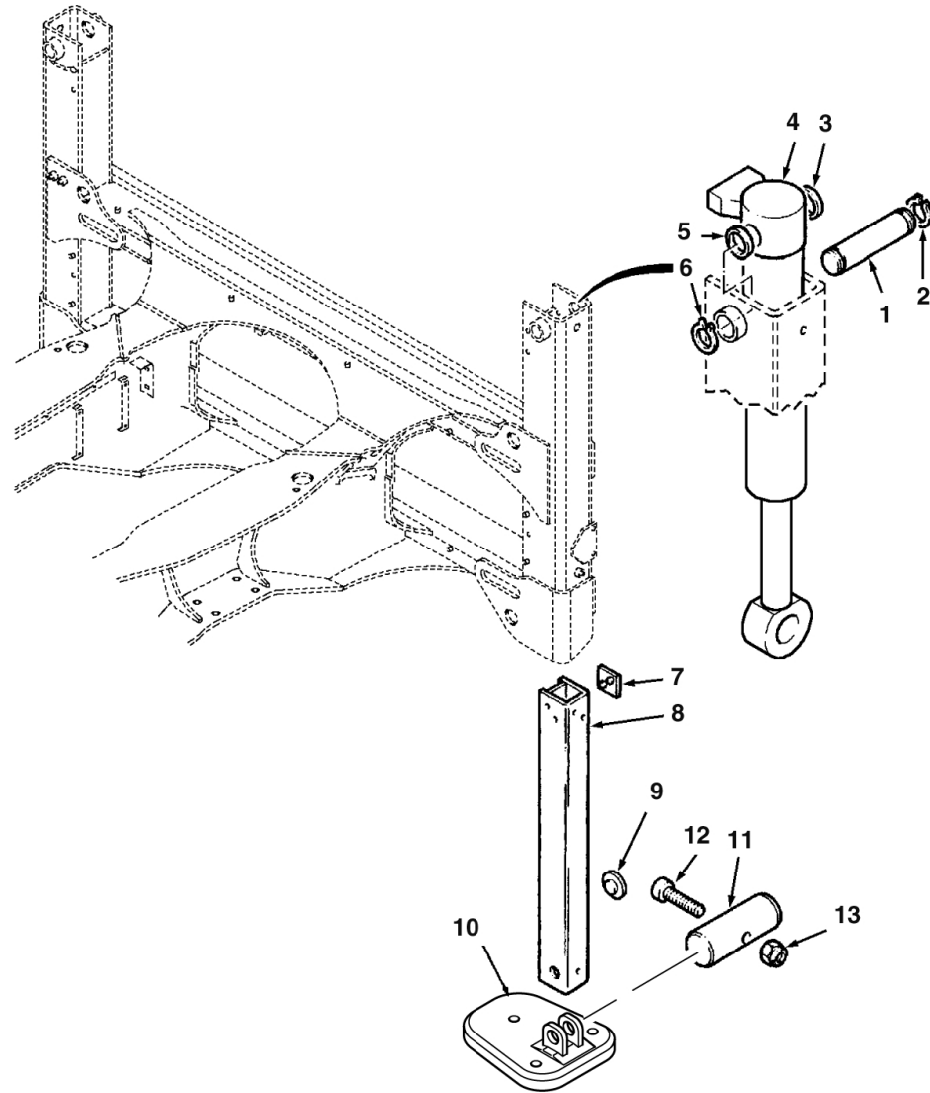
C-10012-01.1-B



<b>Item</b>	<b>Part No.</b>	<b>Qty.</b>	<b>English</b>	<b>French</b>	<b>German</b>	<b>Spanish</b>	<b>Remarks</b>
1	6112383M91	1	Chassis Complete 4ws Ss	Chassis	Fahrgestell	Chasis	
2	#CHASSIS	1	Chassis	Chassis	Chassis	Chassis	Ref. 1
3	1470375M1	6	Threaded Mount Plate	Support De Fixation	Befestigung	Soporte De Fijación	

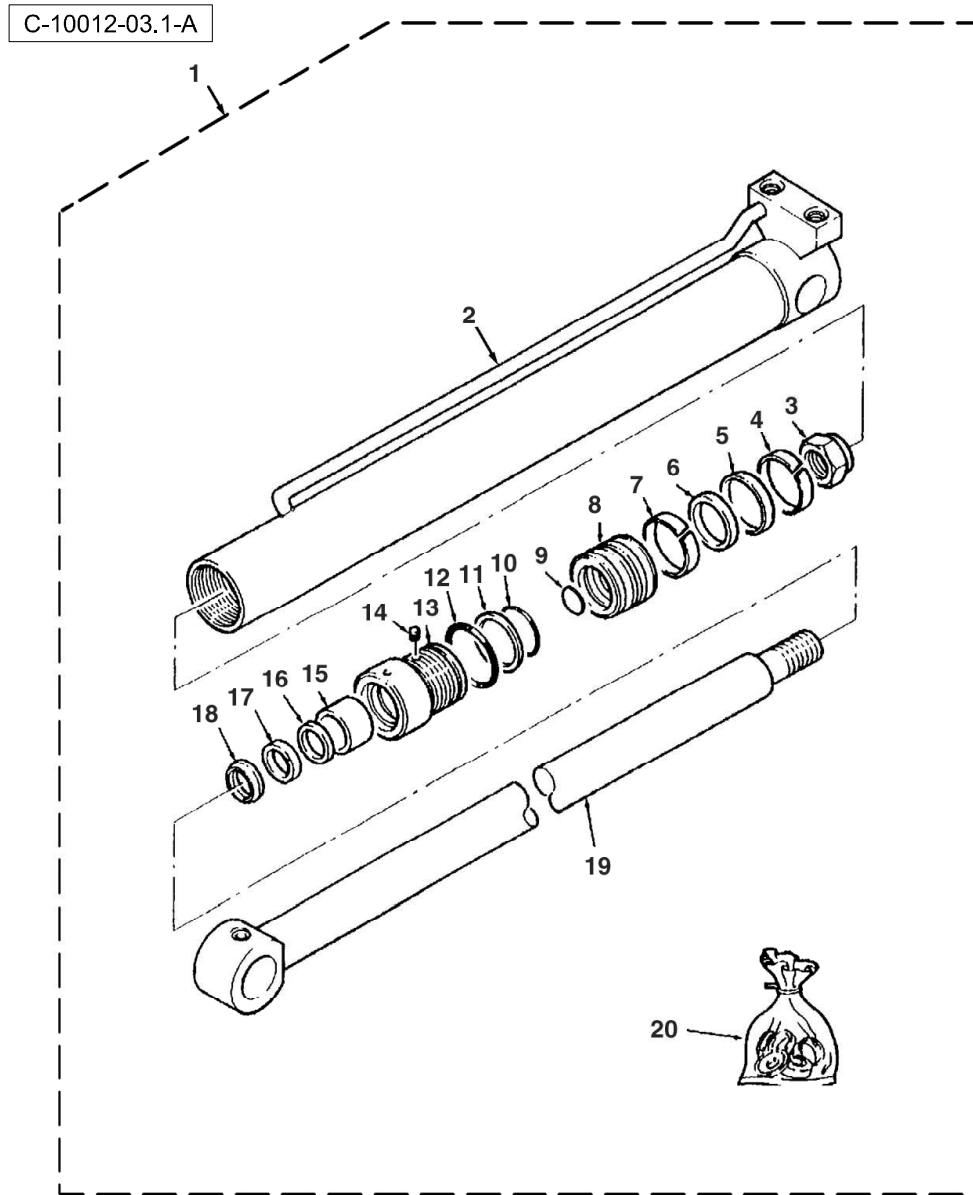


C-10012-02.1-A



Item	Part No.	Qty.	English	French	German	Spanish	Remarks
1	3521289M3	2	Pin Stabiliser Cyl.	Axe	Bolzen	Pasador	
2	1440478X1	2	Circlip 45mm	Segment D´Arrêt	Sicherungsring	Anillo De Resorte	
3	3521279M2	2	Spacer	Entretoise	Distanzstück	Traviesa	
4	#CYLINDER ASSY	2	Cylinder Assy	Cylinder Assy	Cylinder Assy	Cylinder Assy	10012c03.1 1 10012c03.2 1
5	3521279M2	2	Spacer	Entretoise	Distanzstück	Traviesa	
6	1440478X1	2	Circlip 45mm	Segment D´Arrêt	Sicherungsring	Anillo De Resorte	
7	6108417M1	0	Wear Pad-Sq're Green 3.60/3.40	Patin D¿Usure	Verschleißkissen	Patín De Desgaste	
7	3517077M1	0	Pad Sq Grey 5.5/5.25	Patin D¿Usure	Verschleißkissen	Patín De Desgaste	
7	6108416M1	0	Wear Pad-Sq're Blue 4.00/3.80	Patin D¿Usure	Verschleißkissen	Patín De Desgaste	
7	3518936M1	0	Pad Wear Red 6.5/6.25	Patin D¿Usure	Verschleißkissen	Patín De Desgaste	
7	3521199M3	0	Pad Square Blac 5.0/4.75	Patin D¿Usure	Verschleißkissen	Patín De Desgaste	
7	3518965M1	0	Wear Pad Natural-6.0mm	Patin D¿Usure	Verschleißkissen	Patín De Desgaste	
7	3516684M2	0	Pad Square Yell 4.5/4.25	Patin D¿Usure	Verschleißkissen	Patín De Desgaste	
8	6108420M91	2	Stabiliser Leg Assy Inner S/S	Tige	Schaft	Varilla	
9	6108419M1	0	Wear Pad-Round Green 3.60/3.40	Patin D¿Usure	Verschleißkissen	Patín De Desgaste	
9	6108418M1	0	Wear Pad-Round Blue 4.00/3.80	Patin D¿Usure	Verschleißkissen	Patín De Desgaste	
9	3519716M1	0	Pad Round Red 6.5/6.25	Patin D¿Usure	Verschleißkissen	Patín De Desgaste	
9	3519715M1	0	Pad Round Natl 6.0/5.75	Patin D¿Usure	Verschleißkissen	Patín De Desgaste	
9	3519714M1	0	Pad Round Grey 5.5/5.25	Patin D¿Usure	Verschleißkissen	Patín De Desgaste	
9	3519713M1	0	Pad Round Blac 5.0/4.75	Patin D¿Usure	Verschleißkissen	Patín De Desgaste	
9	3519712M1	0	Pad Round Yell 4.5/4.25	Patin D¿Usure	Verschleißkissen	Patín De Desgaste	
10	6102864M1	2	Foot Stabiliser S/S	Pied	Fuß	Pie	Feb 2008
10	6112386M1	2	Stabiliser Foot - Sideshift	Pied	Fuß	Pie	Feb 2008
11	3522879M2	2	Pin Stabiliser Foot S/S	Axe	Bolzen	Pasador	
12	1442169X1	2	Cap Screw Soc.Hd.M10 X 90	Vis A Tete Six Pans	Zylinderschraube	Tornillo	
13	1440329X1	2	Nut, Hex. - Nyloc, M10	Ecrou Blocage	Flachmutter M10	Tuerca De Retención	



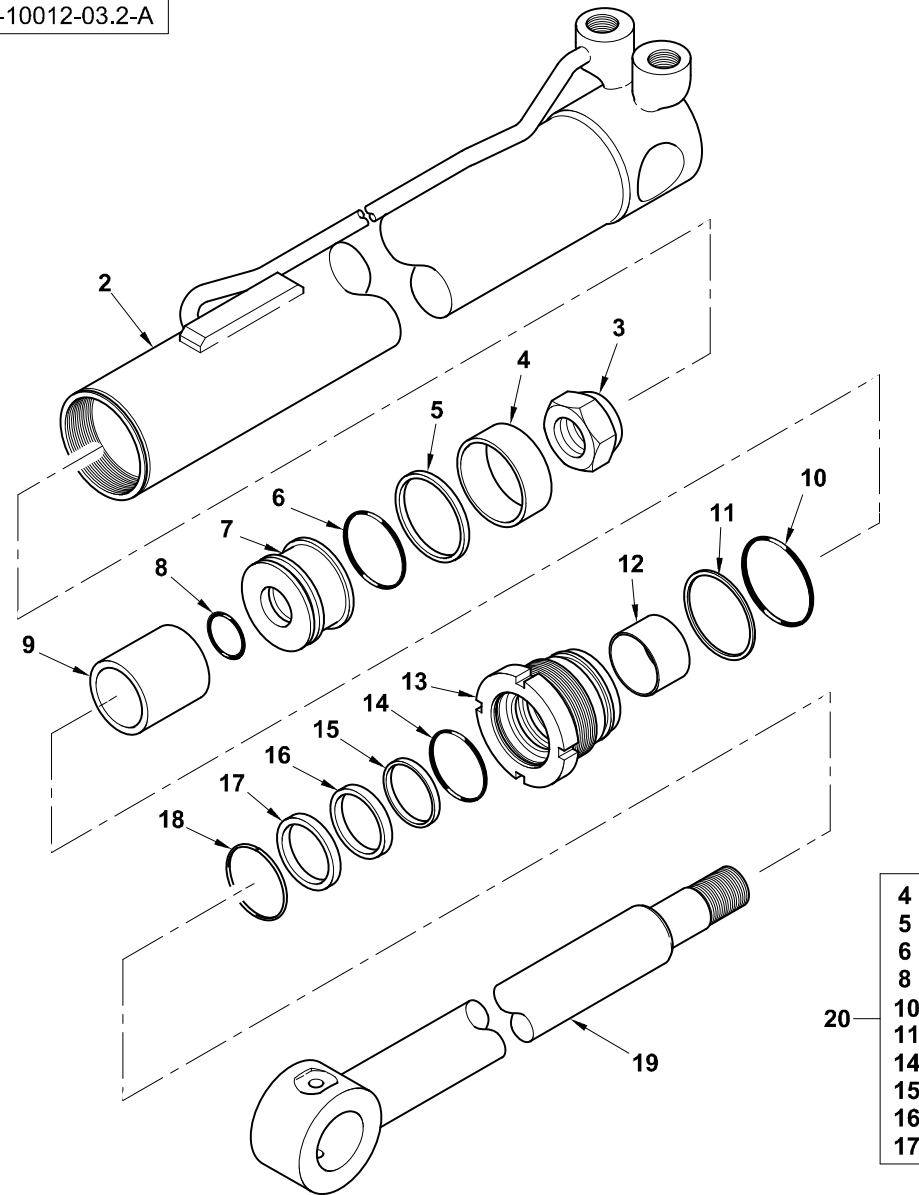




Item	Part No.	Qty.	English	French	German	Spanish	Remarks
1	3622129M94GY02	2	Cylinder Stab Ss Only (Benford Grey)	L´Hie Hydraulique	Zylinder Hydr.	Gato, Conj.	Tba [10012c02.1 4]
2	3623297M92	1	Barrel Assy	Cylindre De Vérin	Zylinderrohr	Cilindro De Gato	
3	1607690M1	1	Lock Nut M30	Ecrou Frein	Kontermutter	Tuerca	
4	3487067M1	1	Piston Guide Ring 70*10*2	Bague D'Étanchéité	Dichtungsring	Anillo, Estanqueidad	
5	3485241M1	1	Wear Ring Piston	Anneau	Ring	Aro	
6	3485254M1	1	Ring Pressure	Anneau	Ring	Aro	
7	3487067M1	1	Piston Guide Ring 70*10*2	Bague D'Étanchéité	Dichtungsring	Anillo, Estanqueidad	
8	3623299M1	1	Piston	Piston	Kolben	Pistón De Gato	
9	359181X1	1	O-Ring (44.04 Mm Nominal I/D) Shore A90	Joint Torique	O - Ring	Junta De Tipo O	
10	359187X1	1	O-Ring-63,09*3,53	Joint Torique	O Ring	Junta De Tipo O	
11	1884170M1	1	Backring-64.06*3*02	Contre-Joint	Stützring	ContraJunta	
12	3487205M1	1	O Ring, Hydr. Cylinder	Joint Torique	O Ring	Junta De Tipo O	
13	3623298M1	1	Bearing Cylinder	Roulement	Lager	Palier De Gato	
14	3443386M1	1	Retaining Plug	Bouchon	Stopfen	Tapón	
15	3491486M1	1	Bush, Piston Rod/Gland	Douille	Büchse	Anillo	
16	3443341M1	1	Ring Buffer	Bague D'Étanchéité	Dichtungsring	Anillo, Estanqueidad	
17	1606464M1	1	Seal	Joint D´Arbre	Wellendichtring	Junta	
18	1606575M1	1	Wiper Ring	Anneau	Ring	Junta Raspador	
19	3441606M91	1	Piston Rod Assy	Tige De Vérin	Kolbenstange	Vástago Cilindro	
20	3623300M91	1	Kit Seal	Jeu Étanchéité	Dichtringsatz	Juego De Juntas	



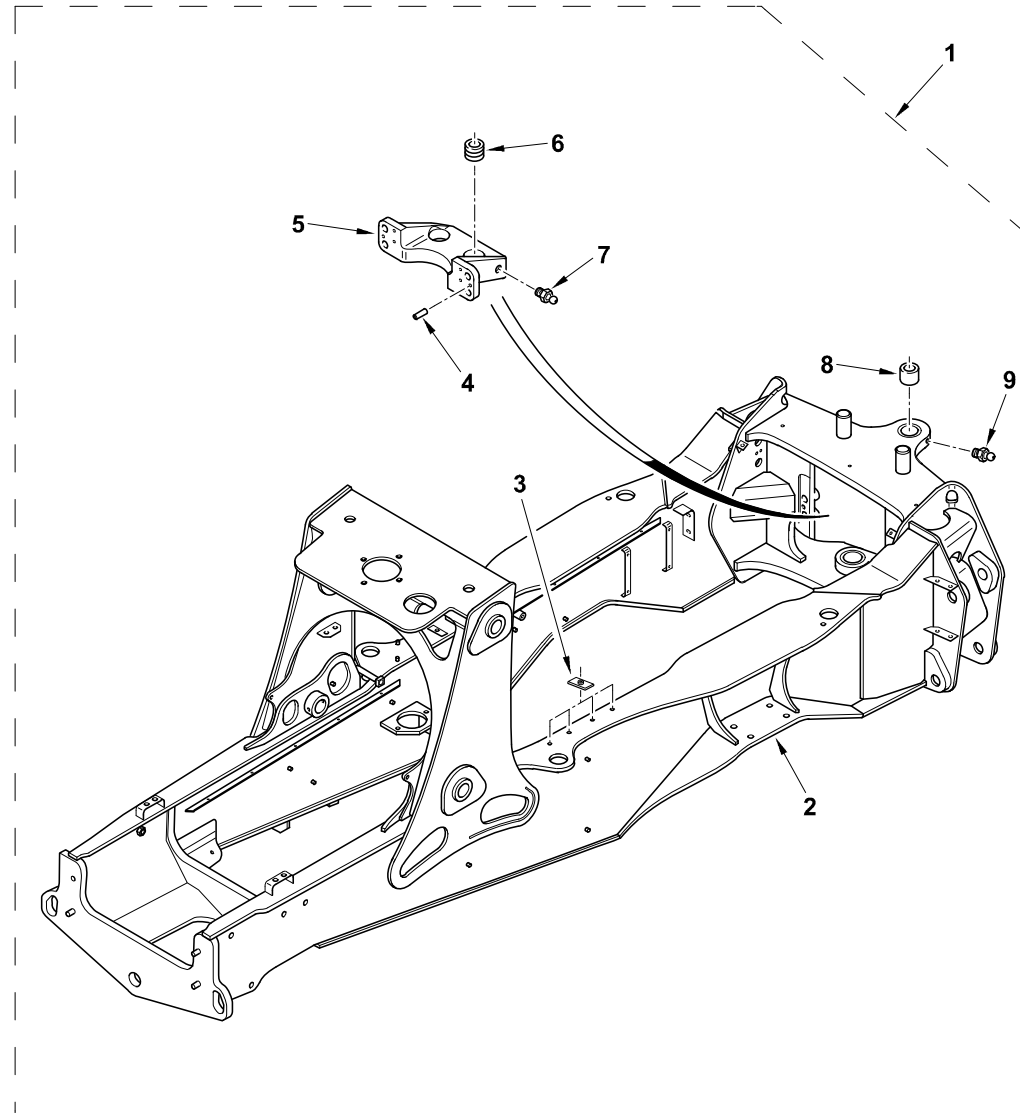
C-10012-03.2-A



Item	Part No.	Qty.	English	French	German	Spanish	Remarks
1	6111068M91GY03	2	Cylinder Stabiliser S/S	Cylindre	Zylinder	Gato, Conj.	Tba [10012c02.1 4]
2	6194596M91	1	Barrel - Cylinder	Corps Cylindre	Zylindergehause	Tubo	
3	6194600M1	1	Nut - Nyloc	Ecrou Blocage	Flachmutter	Tuerca	
4	6194606M1	1	Bearing - Piston	Coussinet	Lager	Teniendo - Pistón	
5	6194604M1	1	Seal - Piston	Joint Étanchéité	Dichtring	Junta	
6	6194605M1	1	O Ring (Std)	Joint Torique	O Ring	Junta De Tipo O	
7	6194598M1	1	Piston	Piston	Kolben	Pistón	
8	6194607M1	1	O Ring (Std)	Joint Torique	O Ring	Junta De Tipo O	
9	6194601M1	1	Stop Tube	Tube Butee	Rohr Anschlag	Pare - Tubo	
10	6194613M1	1	Ring - Back Up	Contre Bague	Stutzring	ContraJunta	
11	6194612M1	1	O Ring (Std)	Joint Torique	O Ring	Junta De Tipo O	
12	6194602M1	1	Bush - Bimetal	Douille	Büchse	Juego De Anillos	
13	6194599M1	1	End Cover - Head	Couvercle	Deckel	Tapa	
14	6194609M1	1	O Ring (Std)	Joint Torique	O Ring	Junta De Tipo O	
15	6194608M1	1	Seal - Rod (Primary)	Joint Étanchéité	Dichtring	Junta	
16	6194610M1	1	Seal- Rod (Secondary)	Joint Étanchéité	Dichtring	Junta	
17	6194611M1	1	Wiper	Essuyeur	Wischer	Raspador, Escobilla	
18	6194603M1	1	Ring - Snap	Fermeoir	Sprengring	Anillo De Resorte	
19	6194597M91	1	Rod - Piston	Bielle De Piston	Pleuelstange	Rod - Pistón	
20	6194614M91	0	Seal Kit	Jeu Etancheite	Dichtringsatz	Juego De Juntas	



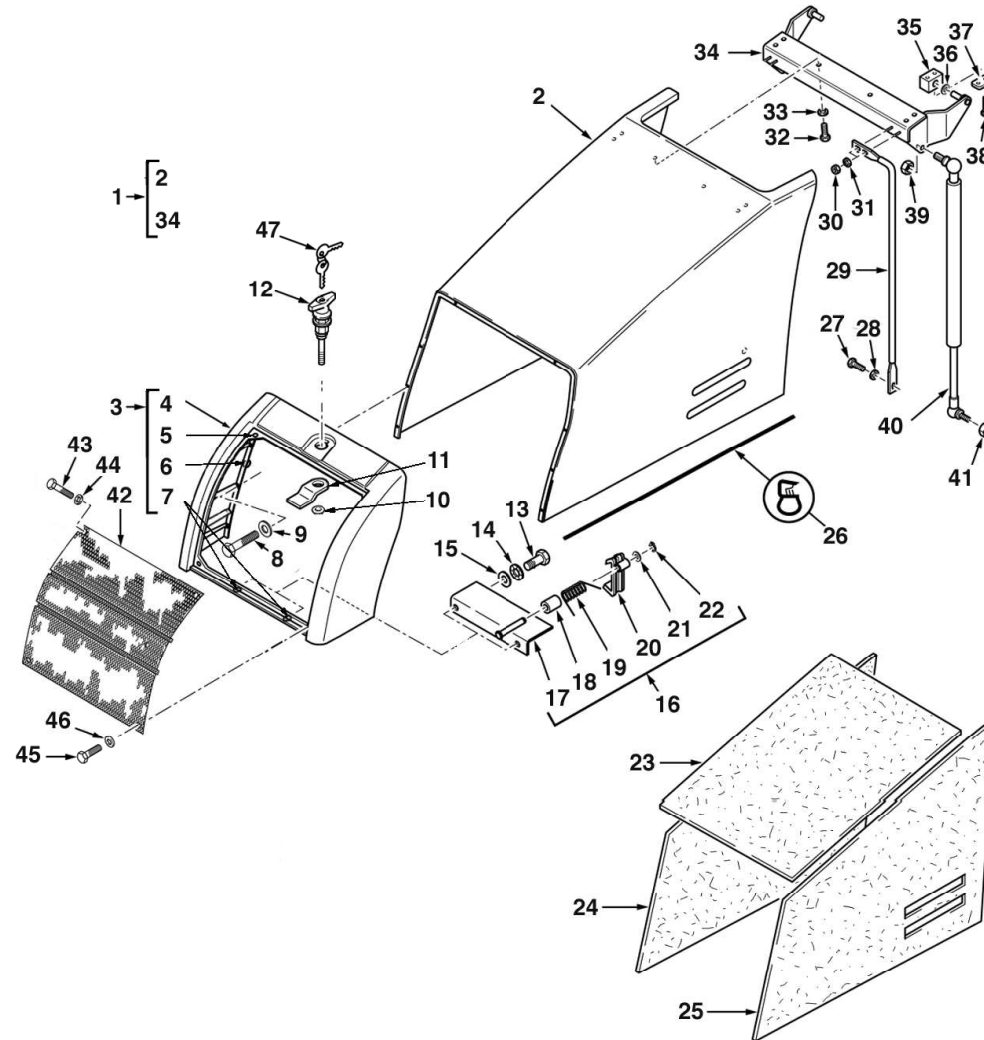
C-10015-01.1-B



Item	Part No.	Qty.	English	French	German	Spanish	Remarks
1	6110039M94	1	Chassis - Centremount (W/Assy) 4ws	Châssis	Fahrgestell	Chasis	
2	#CHASSIS	1	Chassis	Chassis	Chassis	Chassis	Ref. 1
3	1470375M1	6	Threaded Mount Plate	Support De Fixation	Befestigung	Soporte De Fijación	
4	3522954M1	2	Dowel 12 X 55	Goupille Position.	Passtift	Peón	
5	#MOUNT	1	Mount	Mount	Mount	Mount	Ref. 1
6	3521388M5	4	Bush, Lower - Mast/Pivot	Douille	Buechse	Anillo	
7	339608X1	3	Grease Nipple - M10 X 1 (Zinc)	Nipple De Graissage	Schmiernippel	Engrasador	
8	3517246M2	2	Bush, Digger Pivot - Centremount	Douille	Büchse	Anillo	
9	339608X1	3	Grease Nipple - M10 X 1 (Zinc)	Nipple De Graissage	Schmiernippel	Engrasador	



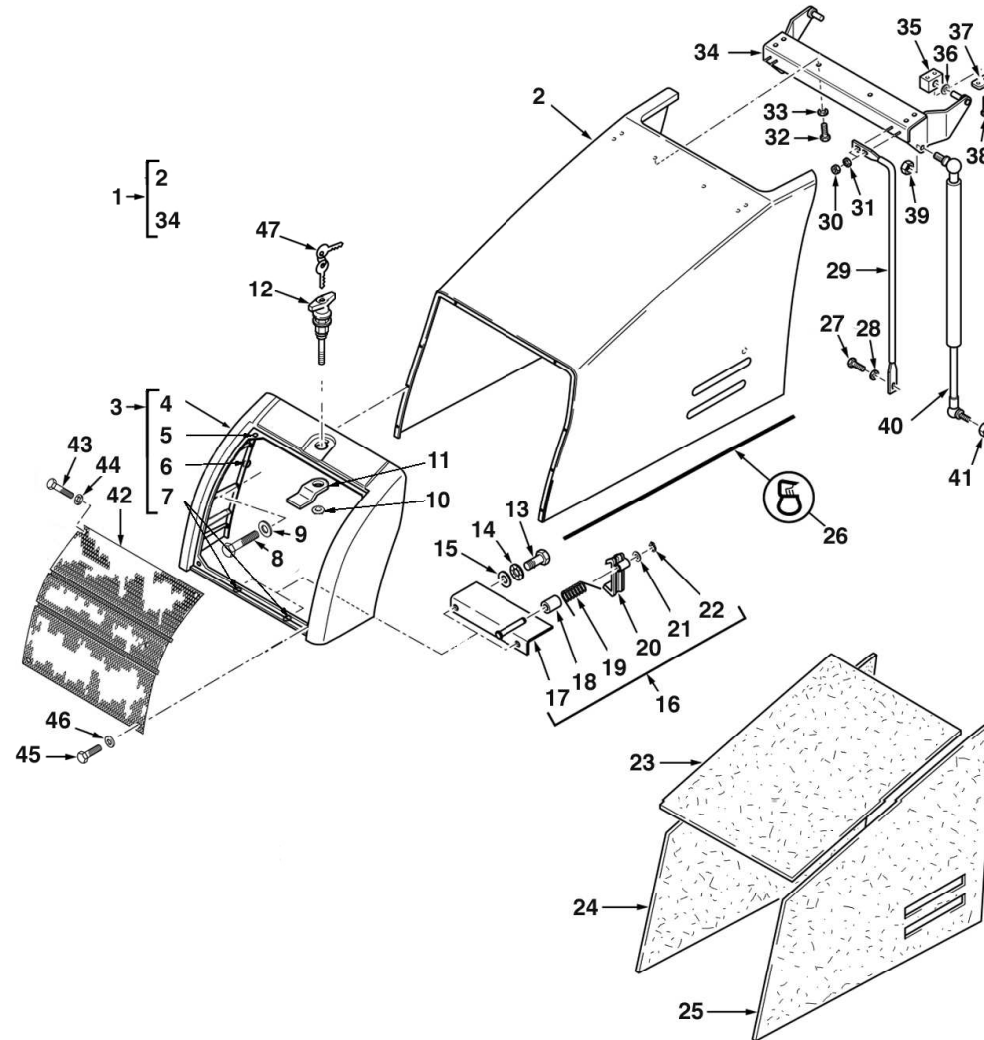
C-12001-01.1-A



Item	Part No.	Qty.	English	French	German	Spanish	Remarks
1	6109917M91	1	Bonnet Assy. Complete - Benford Yellow	Capot	Motorhaube	Capó De Motor, Conj.	
2	6100722M91	1	Bonnet: Fermec Yellow (Less Nose-Piece) - N1a	Capot	Motorhaube	Tapa	
3	6101058M92	1	Softnose Assy Bonnet	Ensemble De Nez	Schnauze Kpl.	Morro, Conj.	
4	#NOSE	1	Nose	Nose	Nose	Nose	Ref. 3
5	6101246M1	8	Jack Nut M6	Ecrou	Mutter	Tuerca Especial	
6	6100785M1	2	Insert-M6	Ecrou	Mutter	Inserción	
7	6102674M2	4	Latch Bar - Bonnet Catch	Loquet	Riegel	Picaporte	
8	339804X1	8	Bolt, Hex, - M6 X 25	Goupille	Maschschrb Metr - M6	Tornillo	
9	390971X1	8	Washer M6-12-1 Zwl	Rondelle - M6	Scheibe - M6	Arandela	
10	1440329X1	1	Nut, Hex. - Nyloc, M10	Ecrou Blocage	Flachmutter M10	Tuerca De Retención	
11	6108647M1	1	Bolt - Bonnet Lock	Goupille	Bolzen	Leva	
12	6108646M91	1	Lock Assy. - Bonnet, (Excluding Key)	Ensemble De Verrou	Schloss Kpl.	Cerradura, Conj.	
13	339124X1	2	Bolt M8-16 Z5f	Goupille	Maschschrb Metr - M8	Tornillo	
14	339374X1	2	Washer M8 -21-2 Z	Rondelle Frein - M8	Federring - M8	Arandela De Freno	
15	390972X1	2	Washer M8-17-1 Zwl	Rondelle M8	Scheibe - M8	Arandela	
16	6100960M92	1	Catch Assy., Safety - Bonnet	Loquet Porte	Falle	Picaporte	
17	#BRACKET	1	Bracket	Bracket	Bracket	Bracket	Ref. 16
18	6101529M1	1	Spacer	Entretoise	Distanzstück	Travesía	
19	3521090M3	1	Spring Torsion	Siège De Ressort	Federsitz	Muelle	
20	6106050M91	1	Catch, Safety - Bonnet	Loquet Porte	Falle	Picaporte	
21	390972X1	1	Washer M8-17-1 Zwl	Rondelle M8	Scheibe - M8	Arandela	
22	1440522X1	1	Circlip Ext	Segment D'Arrêt	Sicherungsring	Anillo De Resorte	
23	6101175M2	1	Panel-Soundpro*ng-Top	Isolation	Schalldämmung	Aislante	
24	6101176M1	1	Panel-Soundpro*ng-Side-Lh	Isolation	Schalldämmung	Aislante	
25	6101177M1	1	Panel-Soundpro*ng-Side-Rh	Isolation	Schalldämmung	Aislante	
26	6101241M1	2	Seal Bonnet	Joint	Dichtung	Junta	
27	339124X1	2	Bolt M8-16 Z5f	Goupille	Maschschrb Metr - M8	Tornillo	
28	385361X1	2	Washer M8 Hardened	Rondelle M8	Scheibe M8	Arandela	
29	6102023M1	2	Support Tube	Tube	Röhrleitung	Tubo	
30	394367X1	4	Nut, Hex. - Nyloc, M8	Ecrou Blocage M8	Flachmutter - M8	Tuerca De Retención	



C-12001-01.1-A

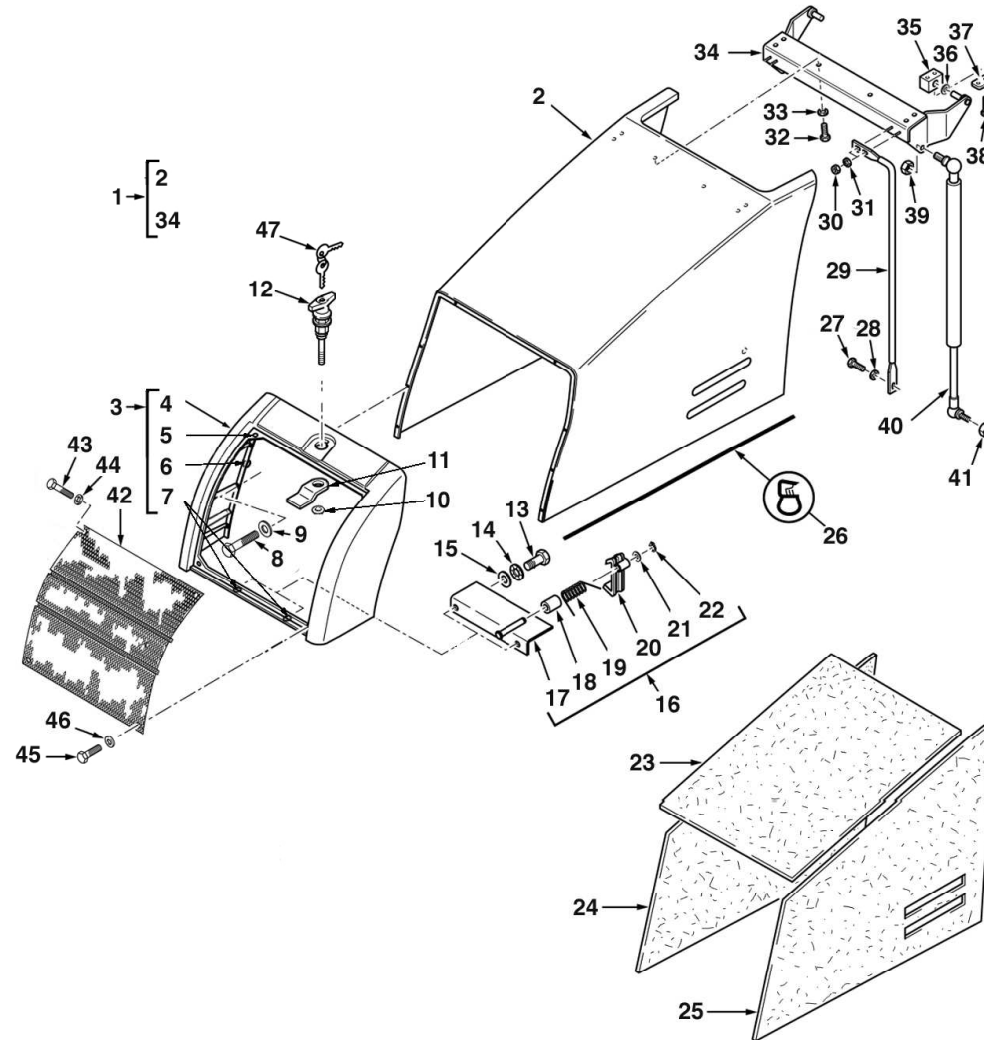




Item	Part No.	Qty.	English	French	German	Spanish	Remarks
31	385361X1	4	Washer M8 Hardened	Rondelle M8	Scheibe M8	Arandela	
32	339124X1	6	Bolt M8-16 Z5f	Goupille	Maschschrb Metr - M8	Tornillo	
33	390972X1	6	Washer M8-17-1 Zwl	Rondelle M8	Scheibe - M8	Arandela	
34	6102084M91	1	Support Bracket W/A - Gas Strut	Patte Fixation	Halter	Soporte De Fijación	
35	6102086M1	2	Hinge-Block	Entretoise	Distanzstück	Soporte	
36	1441664X1	2	Washer M16-30-3 Z	Rondelle	Scheibe	Arandela	
37	1462583M1	2	Plate-Clamp	Plaque	Platte	Placa	
38	339229X1	4	Bolt M6-40 Z5s Lk	Boulon M6 X 40	Schraube M6 X 40	Tornillo	
39	394367X1	2	Nut, Hex. - Nyloc, M8	Ecrou Blocage M8	Flachmutter - M8	Tuerca De Retención	
40	6111404M91	2	Gas Strut - With Sleeve (Bonnet)	Vérin À Gaz	Gaszylinder	Gato De Gas	
41	394367X1	2	Nut, Hex. - Nyloc, M8	Ecrou Blocage M8	Flachmutter - M8	Tuerca De Retención	
42	6101133M91	1	Grille-Fermec	Grille	Grill	Rejilla	
43	391884X1	2	Bolt M6-50 Z5s	Goupille	Bolzen	Tornillo	
44	391038X1	2	Washer M6 - Large Zinc Hardened	Rondelle	Scheibe	Arandela	
45	339560X1	2	Bolt - M6 X 16mm (Hex.)	Boulon M6 X 16	Maschschraube - M6	Tornillo	
46	391038X1	2	Washer M6 - Large Zinc Hardened	Rondelle	Scheibe	Arandela	
47	6107891M1	2	Key, Multipurpose - 1 Pair	Clé	Schlüssel	Juego De Llaves	



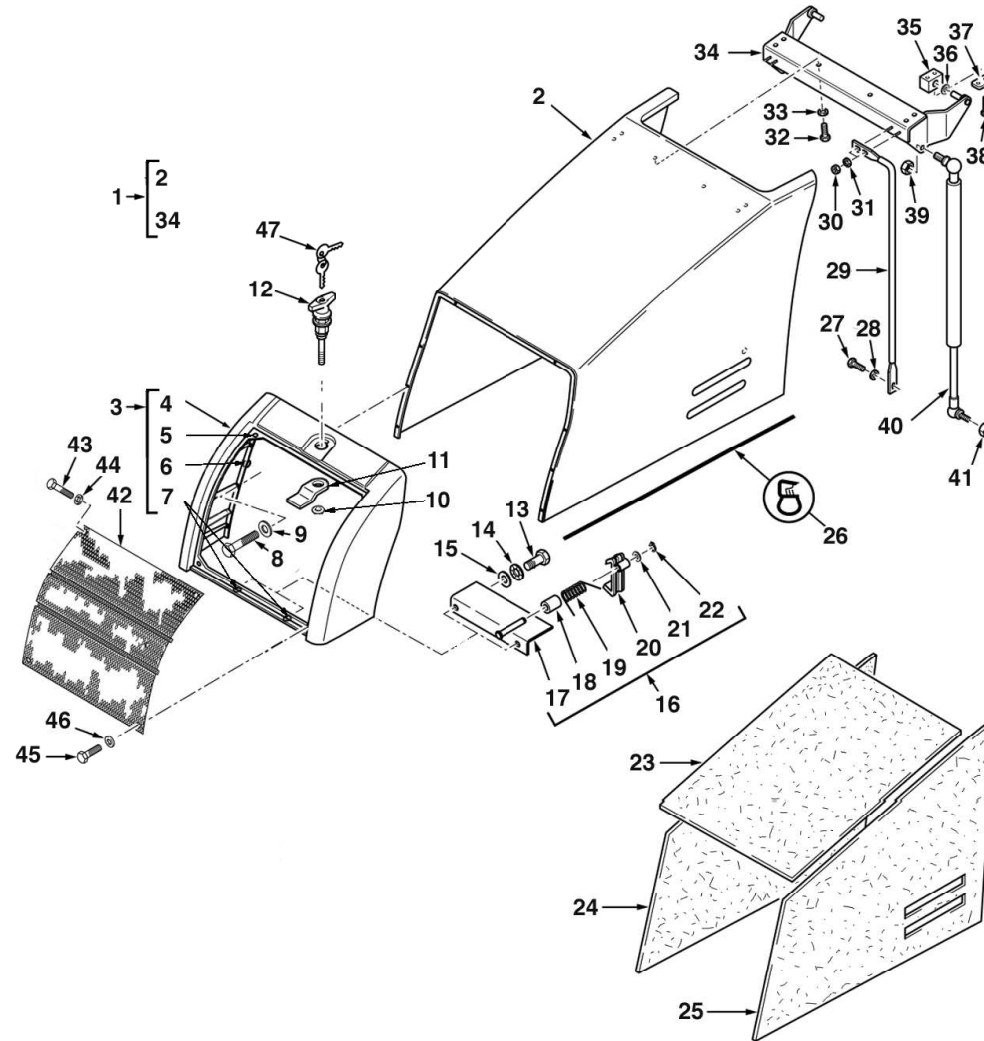
C-12002-01.1-A



Item	Part No.	Qty.	English	French	German	Spanish	Remarks
1	6109918M91	1	Bonnet Assy. Complete - Terex White	Capot	Motorhaube	Capó De Motor, Conj.	
2	6107887M91	1	Bonnet Assy. Less Nosecone - Terex White	Capot	Motorhaube	Tapa	
3	6101058M92	1	Softnose Assy Bonnet	Ensemble De Nez	Schnauze Kpl.	Morro, Conj.	
4	#NOSE	1	Nose	Nose	Nose	Nose	Ref. 3
5	6101246M1	8	Jack Nut M6	Ecrou	Mutter	Tuerca Especial	
6	6100785M1	2	Insert-M6	Ecrou	Mutter	Inserción	
7	6102674M2	4	Latch Bar - Bonnet Catch	Loquet	Riegel	Picaporte	
8	339804X1	8	Bolt, Hex, - M6 X 25	Goupille	Maschschrb Metr - M6	Tornillo	
9	390971X1	8	Washer M6-12-1 Zwl	Rondelle - M6	Scheibe - M6	Arandela	
10	1440329X1	1	Nut, Hex. - Nyloc, M10	Ecrou Blocage	Flachmutter M10	Tuerca De Retención	
11	6108647M1	1	Bolt - Bonnet Lock	Goupille	Bolzen	Leva	
12	6108646M91	1	Lock Assy. - Bonnet, (Excluding Key)	Ensemble De Verrou	Schloss Kpl.	Cerradura, Conj.	
13	339124X1	2	Bolt M8-16 Z5f	Goupille	Maschschrb Metr - M8	Tornillo	
14	339374X1	2	Washer M8 -21-2 Z	Rondelle Frein - M8	Federring - M8	Arandela De Freno	
15	390972X1	2	Washer M8-17-1 Zwl	Rondelle M8	Scheibe - M8	Arandela	
16	6100960M92	1	Catch Assy., Safety - Bonnet	Loquet Porte	Falle	Picaporte	
17	#BRACKET	1	Bracket	Bracket	Bracket	Bracket	Ref. 16
18	6101529M1	1	Spacer	Entretoise	Distanzstück	Traviesa	
19	3521090M3	1	Spring Torsion	Siège De Ressort	Federsitz	Muelle	
20	6106050M91	1	Catch, Safety - Bonnet	Loquet Porte	Falle	Picaporte	
21	390972X1	1	Washer M8-17-1 Zwl	Rondelle M8	Scheibe - M8	Arandela	
22	1440522X1	1	Circlip Ext	Segment D'Arrêt	Sicherungsring	Anillo De Resorte	
23	6101175M2	1	Panel-Soundpro*ng-Top	Isolation	Schalldämmung	Aislante	
24	6101176M1	1	Panel-Soundpro*ng-Side-Lh	Isolation	Schalldämmung	Aislante	
25	6101177M1	1	Panel-Soundpro*ng-Side-Rh	Isolation	Schalldämmung	Aislante	
26	6101241M1	2	Seal Bonnet	Joint	Dichtung	Junta	
27	339124X1	2	Bolt M8-16 Z5f	Goupille	Maschschrb Metr - M8	Tornillo	
28	385361X1	2	Washer M8 Hardened	Rondelle M8	Scheibe M8	Arandela	
29	6102023M1	2	Support Tube	Tube	Rohrleitung	Tubo	
30	394367X1	4	Nut, Hex. - Nyloc, M8	Ecrou Blocage M8	Flachmutter - M8	Tuerca De Retención	

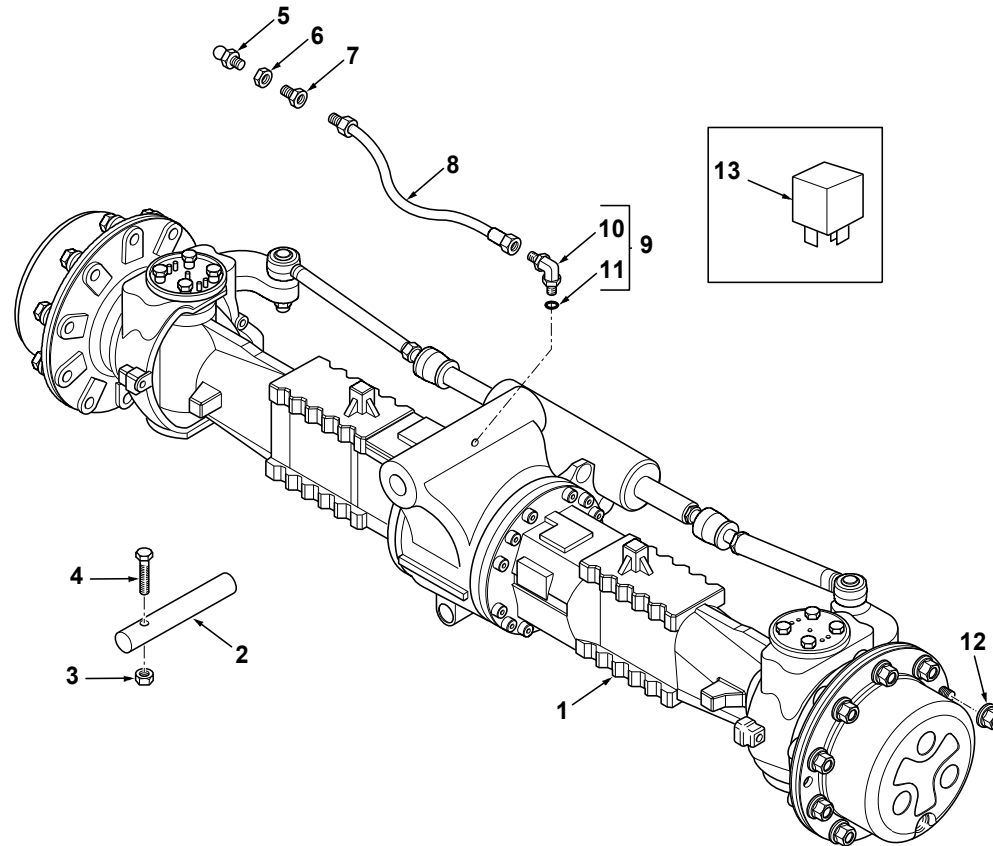


C-12002-01.1-A



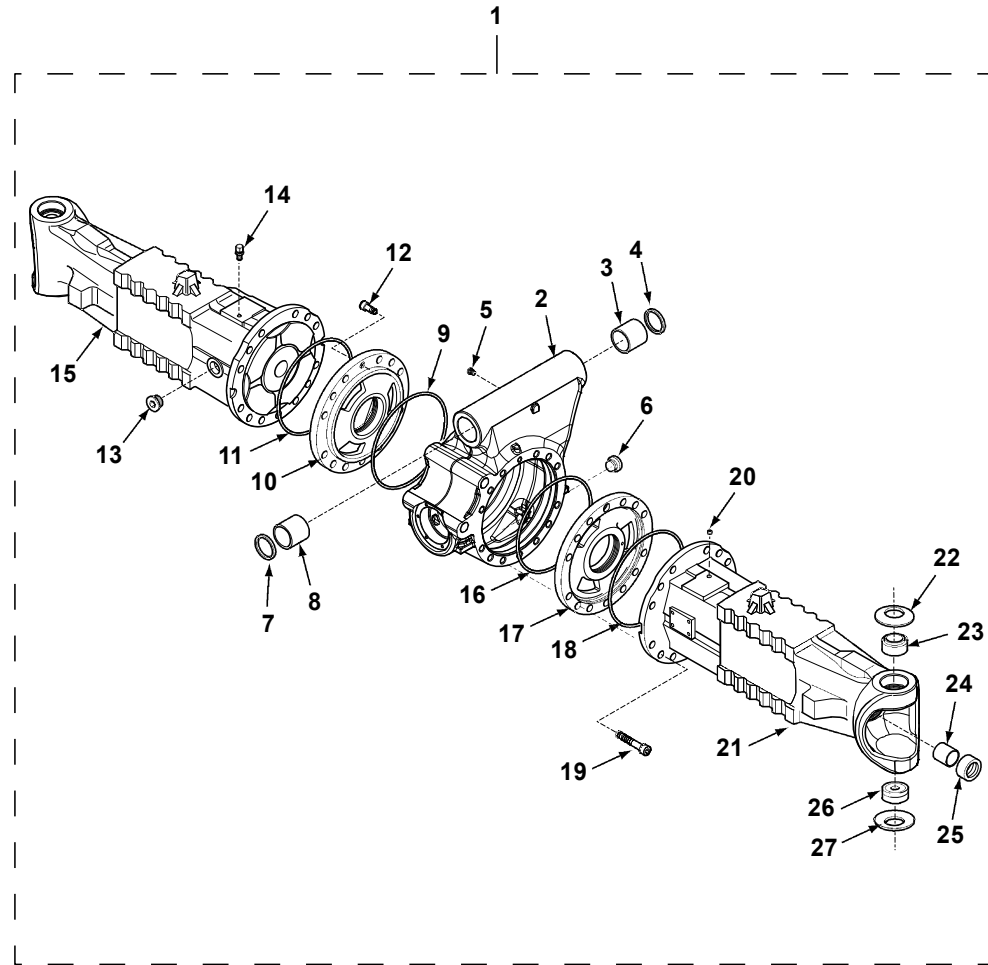
Item	Part No.	Qty.	English	French	German	Spanish	Remarks
31	385361X1	4	Washer M8 Hardened	Rondelle M8	Scheibe M8	Arandela	
32	339124X1	6	Bolt M8-16 Z5f	Goupille	Maschschrb Metr - M8	Tornillo	
33	390972X1	6	Washer M8-17-1 Zwl	Rondelle M8	Scheibe - M8	Arandela	
34	6102084M91	1	Support Bracket W/A - Gas Strut	Patte Fixation	Halter	Soporte De Fijación	
35	6102086M1	2	Hinge-Block	Entretoise	Distanzstück	Soporte	
36	1441664X1	2	Washer M16-30-3 Z	Rondelle	Scheibe	Arandela	
37	1462583M1	2	Plate-Clamp	Plaque	Platte	Placa	
38	339229X1	4	Bolt M6-40 Z5s Lk	Boulon M6 X 40	Schraube M6 X 40	Tornillo	
39	394367X1	2	Nut, Hex. - Nyloc, M8	Ecrou Blocage M8	Flachmutter - M8	Tuerca De Retención	
40	6111404M91	2	Gas Strut - With Sleeve (Bonnet)	Vérin À Gaz	Gaszylinder	Gato De Gas	
41	394367X1	2	Nut, Hex. - Nyloc, M8	Ecrou Blocage M8	Flachmutter - M8	Tuerca De Retención	
42	6101133M91	1	Grille-Fermec	Grille	Grill	Rejilla	
43	391884X1	2	Bolt M6-50 Z5s	Goupille	Bolzen	Tornillo	
44	391038X1	2	Washer M6 - Large Zinc Hardened	Rondelle	Scheibe	Arandela	
45	339560X1	2	Bolt - M6 X 16mm (Hex.)	Boulon M6 X 16	Maschschraube - M6	Tornillo	
46	391038X1	2	Washer M6 - Large Zinc Hardened	Rondelle	Scheibe	Arandela	
47	6107891M1	2	Key, Multipurpose - 1 Pair	Clé	Schlüssel	Juego De Llaves	

C-16014-01.1-B



Item	Part No.	Qty.	English	French	German	Spanish	Remarks
1	6109146M91	1	Axle Assy - Front 4ws/4wd	Essieu Avant	Achse, Vorne	Puente Delantero, Conj.	
2	6110100M1	1	Pin - Axle Pivot 505 X 50 Mm	Axe	Bolzen	Pasador	
3	1440330X1	1	Nut Nyloc M12	Ecrou	Flachmutter M12	Tuerca	
4	3009518X1	1	Bolt - M12 X 110lg	Goupille	Bolzen M12 X 110	Perno	
5	1441858X1	1	Grease Nipple - Straight, M6	Graisser Coude	Schmiernippel	Engrasador	
6	3009694X1	1	Nut M10 Z1 Thin	Ecrou	Mutter M10	Tuerca De Retención	
7	3521240M1	1	Union Bulkhead	Union	Schraubanschluss	Racor	
8	6110196M91	1	Hose Assembly - Grease	Flexible	Schlauch	Flexible, Conj.	
9	358760X91	1	Elbow 90#7/16-7/16 Unf	Coude, 90	Kniestück, 90°	Codo, 90°	
10	#ELBOW	1	Elbow	Elbow	Elbow	Elbow	Ref. 9
11	831495M1	1	O-Ring	Joint Torique	O-Ring	Junta De Tipo O	
12	6106829M91	20	Nut Assy., Wheel	Ecrou	Mutter	Tuerca	
13	6102490M1	1	Relay-Micro	Relais	Relais	Relé	

C-16014-02.1-A

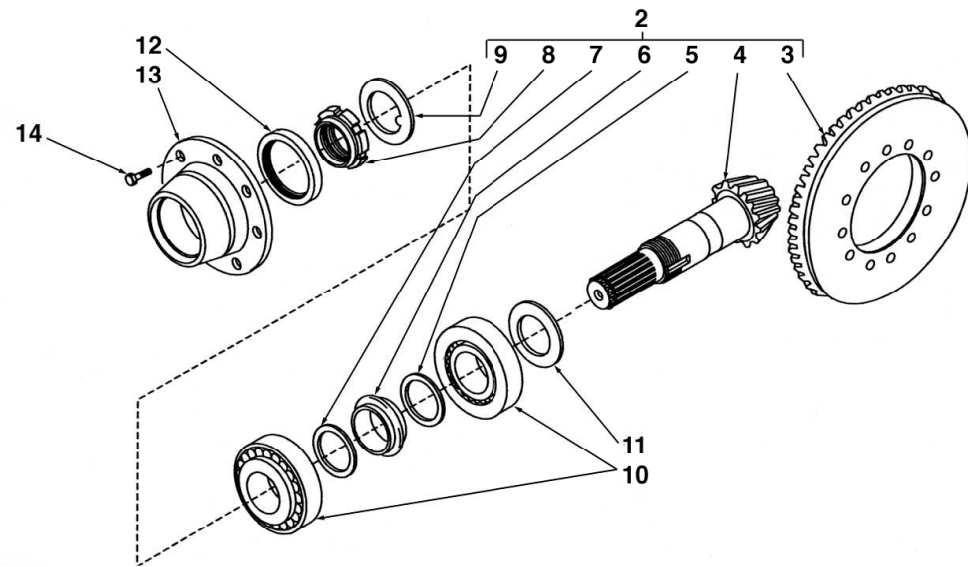




Item	Part No.	Qty.	English	French	German	Spanish	Remarks
1	6109146M91	1	Axle Assy - Front 4ws/4wd	Essieu Avant	Achse, Vorne	Puente Delantero, Conj.	Continued
2	6194258M1	1	Central Body	Corps	Korper	Cárter Central, Conj.	
3	6194022M1	1	Bush - Front	Douille	Buechse	Casquillo	
4	6194017M1	1	Oil Seal	Joint D´Arbre	Wellendichtring	Junta De Aceite	
5	6193344M1	1	Plug - Brake Cylinder Housing	Bouchon	Stopfen	Tapón	
6	3523632M1	1	Plug	Bouchon	Stopfen	Tapón	
7	6194017M1	1	Oil Seal	Joint D´Arbre	Wellendichtring	Junta De Aceite	
8	6194021M1	1	Bush 60 X 50 19 X 54	Douille	Buechse	Casquillo	
9	6193333M1	1	O-Ring - Rear Axle Centre Housing	Joint Torique	O-Ring	Junta De Tipo O	
10	6194259M1	1	Brg Support Flange	Flasque	Flansch	Palier Soporte	
11	6193333M1	1	O-Ring - Rear Axle Centre Housing	Joint Torique	O-Ring	Junta De Tipo O	
12	6194260M1	1	Bolt M12 X 25	Boulon M12 X 25	Maschschraube M12	Perno	
13	3523632M1	1	Plug	Bouchon	Stopfen	Tapón	
14	6193669M1	1	Breather - RH Rear Axle Housing	Reni*ard	Entlüftung	Ventilador Del Cárter	
15	6194262M1	1	Leg Housing	Carter De Pont	Achsgehäuse	Cárter De Puente	
16	6193333M1	1	O-Ring - Rear Axle Centre Housing	Joint Torique	O-Ring	Junta De Tipo O	
17	6194259M1	1	Brg Support Flange	Flasque	Flansch	Palier Soporte	
18	6193333M1	1	O-Ring - Rear Axle Centre Housing	Joint Torique	O-Ring	Junta De Tipo O	
19	6194261M1	26	Bolt M16 X 65	Boulon M16 X 65	Maschschraube M16	Perno	
20	3523998M1	1	Plug M10	Bouchon	Stopfen	Tapón	
21	6194262M1	1	Leg Housing	Carter De Pont	Achsgehäuse	Cárter De Puente	
22	3523578M1	2	Washer, Belleville - Swivel Pin	Rondelle	Scheibe	Arandela	
23	6194263M1	2	Bush	Douille	Büchse	Casquillo	
24	6190247M1	2	Bush - Axle Housing	Douille	Büchse	Anillo	
25	6193672M1	2	Oil Seal, Dr. Shaft/Housing - Rear Axle	Joint D´Arbre	Wellendichtring	Junta De Anillo	
26	3523581M1	2	Spherical Bush - Lower, Fr. Axle, 4ws	Bague	Büchse	Anillo	
27	3523579M1	2	Washer, Belleville - Lower Swivel Pin	Rondelle	Scheibe	Arandela	



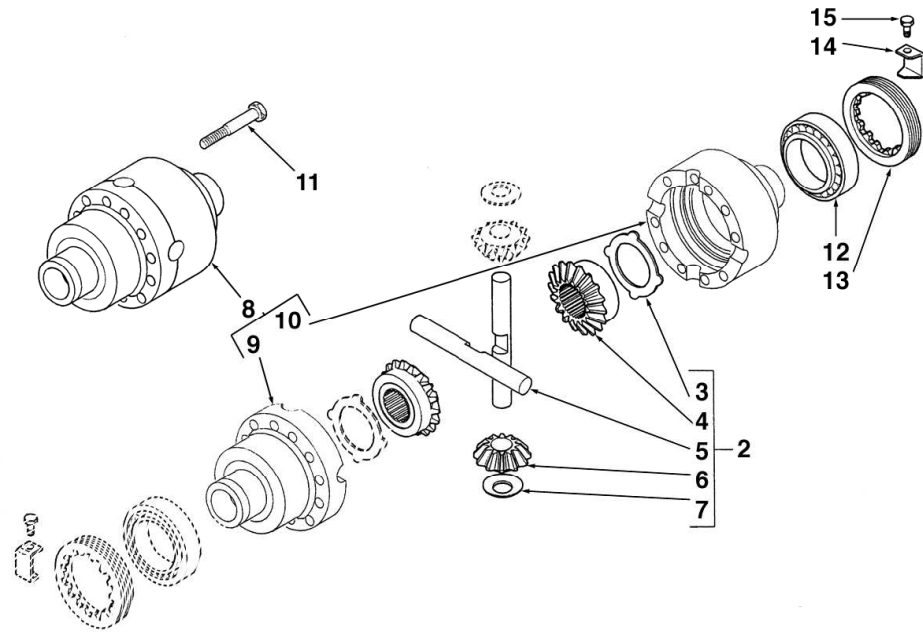
C-16014-03.1-A



Item	Part No.	Qty.	English	French	German	Spanish	Remarks
1	6109146M91	1	Axle Assy - Front 4ws/4wd	Essieu Avant	Achse, Vorne	Puente Delantero, Conj.	Continued
2	6193437M91	1	Kit, Crownwheel & Pinion - 12/30, Rear	Jeu Couronne	Tellerradsatz	Juego De Coronas	
3	#CROWNWHEEL	1	Crownwheel	Crownwheel	Crownwheel	Crownwheel	Ref. 2
4	#PINION	1	Pinion	Pinion	Pinion	Pinion	Ref. 2
5	3523082M1	1	Washer - Pinion Shaft	Rondelle	Unterlegscheibe	Arandela	
6	3523083M1	1	Spacer - Collapsible (Pinion Shaft)	Entretoise	Abstandstück	Traviesa	
7	3523082M1	1	Washer - Pinion Shaft	Rondelle	Unterlegscheibe	Arandela	
8	3475570M1	1	Ring Nut - M40	Ecrou - M40	Mutter - M40	Tuerca	
9	3475569M1	1	Tab Washer - Locking	Rondelle Frein	Federring	Arandela De Freno	
10	3475567M1	2	Bearing, Taper Roller - Pinion	Roul Conique	Kegellager	Cojinete De Bolas	
11	6190198M1	0	Shim, 2.6mm - Pinion Shaft	Cale	Ausgleichsscheibe	Calce	
11	6190197M1	0	Shim, 2.5mm - Pinion Shaft	Cale	Ausgleichsscheibe	Calce	
11	6190199M1	0	Shim, 2.7mm - Pinion Shaft	Cale	Ausgleichsscheibe	Calce	
11	6190206M1	0	Shim, 3.4mm - Pinion Shaft	Cale	Ausgleichsscheibe	Calce	
11	6190205M1	0	Shim, 3.3mm - Pinion Shaft	Cale	Ausgleichsscheibe	Calce	
11	6190204M1	0	Shim, 3.2mm - Pinion Shaft	Cale	Ausgleichsscheibe	Calce	
11	6190200M1	0	Shim, 2.8mm - Pinion Shaft	Cale	Ausgleichsscheibe	Calce	
11	6190201M1	0	Shim, 2.9mm - Pinion Shaft	Cale	Ausgleichsscheibe	Calce	
11	6190202M1	0	Shim, 3.0mm - Pinion Shaft	Cale	Ausgleichsscheibe	Calce	
11	6190203M1	0	Shim, 3.1mm - Pinion Shaft	Cale	Ausgleichsscheibe	Calce	
12	6193433M1	1	Oil Seal	Bague Etancheite	Oldichtring	Junta De Aceite	
13	6194278M1	1	Flange	Flasque	Flansch	Brida De Unión	
14	6194279M1	6	Bolt M6x16	Boulon M6 X 16	Maschschraube M6	Perno	



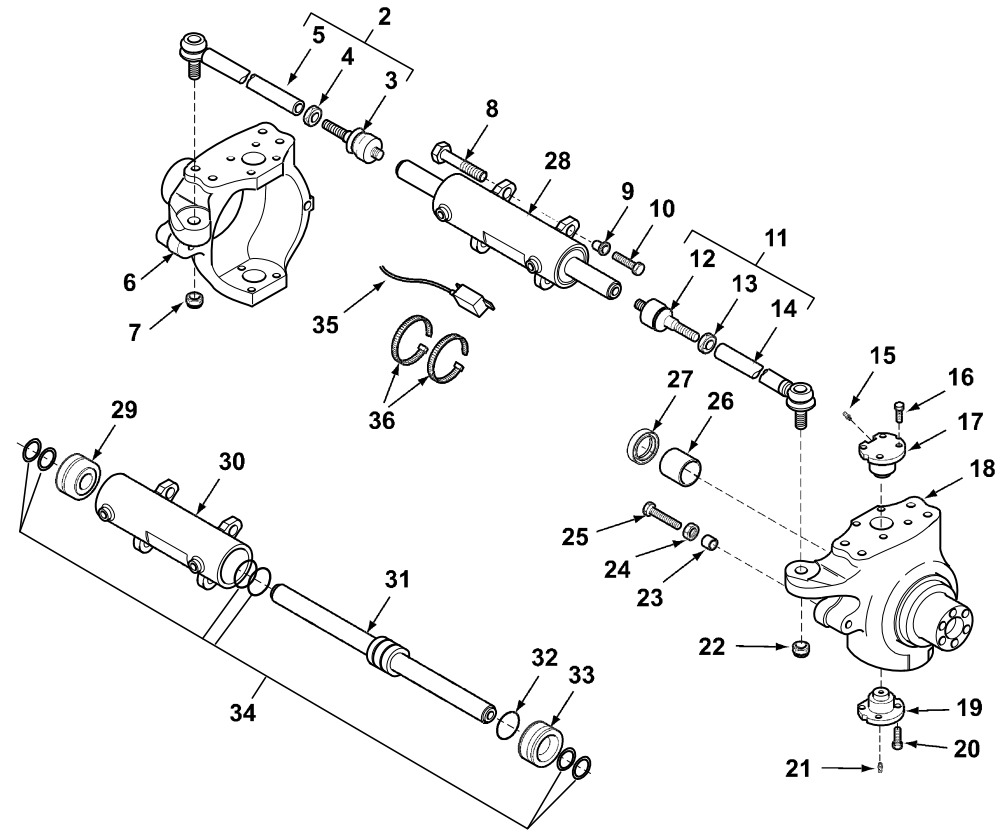
C-16014-04.1-A



Item	Part No.	Qty.	English	French	German	Spanish	Remarks
1	6109146M91	1	Axle Assy - Front 4ws/4wd	Essieu Avant	Achse, Vorne	Puente Delantero, Conj.	Continued
2	6190257M91	1	Kit, Differential Gears - Fr. Axle	Jeu Différentiel	Satzdifferential	Diferencial, Conj.	
3	3475581M1	2	Thrust Washer - Differential	Rondelle De Butée	Anlaufscheibe	Arandela De Tope	
4	#GEAR	2	Gear	Gear	Gear	Gear	Ref. 2
5	3475577M1	2	Shaft Diff.	Axe	Bolzen	Pasador	
6	#GEAR	2	Gear	Gear	Gear	Gear	Ref. 2
7	3475579M1	4	Thrust Washer - Diff. Cross	Rondelle Butee	Anlaufscheibe	Arandela De Tope	
8	6190258M91	1	Housing Assy. - Differential, Fr. Axle	Carter	Gehaeuse	Cárter, Conj.	
9	#HOUSING	1	Housing	Carter	Gehäuse	Alojamiento	Ref. 8
10	#HOUSING	1	Housing	Carter	Gehäuse	Alojamiento	Ref. 8
11	3523086M1	12	Bolt - M10 X 75, Grade 12.9, Self Lock	Boulon - M10 X 75	Maschschraube - M10	Tornillo	
12	3475585M1	2	Bearing - Roller (Differential)	Roulement Galets	Rollenlager	Cojinete, Rodillos	
13	3475584M1	2	Ring Nut - M94	Ecrou	Mutter	Tuerca	
14	6193373M1	2	Plate, Locking - Differential	Plaque D'Arrêt	Sicherungsblech	Placa De Bloqueo	
15	3523583M1	2	Bolt M6 X 10	Boulon M6 X 10	Maschschraube M6	Tornillo	

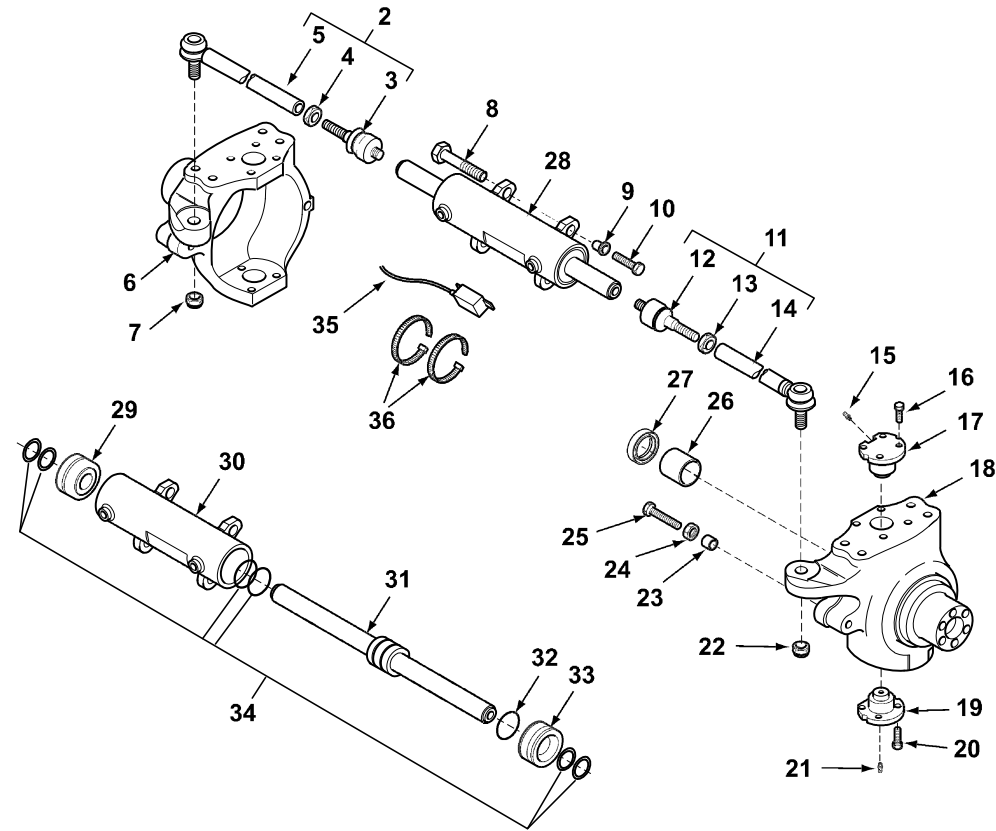


C-16014-05.1-B



Item	Part No.	Qty.	English	French	German	Spanish	Remarks
1	6109146M91	1	Axle Assy - Front 4ws/4wd	Essieu Avant	Achse, Vorne	Puente Delantero, Conj.	Continued
2	6194264M91	1	Kit - Steer Arm Assy	Jeu Direction	Lenkung, Satz	Brazo, Conj.	
3	6194265M91	1	Ball Joint	Joint Spherique	Kugelgelenk	Rotula, Conj.	
4	6193677M1	1	Nut, Hex, Jamb - M24 X 1.5, Tr. Rod Lock	Ecrou - M24	Flachmutter	Tuerca	
5	6194266M91	1	Tie Rod	Tringlerie	Zugstange	Barra Dirección, Conj.	
6	6194268M1	1	Swivel Housing LH	Carter - Pivot	Gehäuse, Drehgelenk	Cárter, Junta Giratoria	
7	6194269M1	1	Nut M24 X 1.5	Ecrou M24 X 1.5	Mutter M24 X 1.5	Tuerca	
8	6194270M1	2	Bolt M18 X 50	Boulon M18 X 50	Maschschraube M18	Perno	
9	6193682M1	2	Bush, Strg. Cyl. Mounting - Rear Axle	Douille	Büchse	Casquillo	
10	3475604M1	2	Bolt - M14 X 65	Boulon - M14 X 65	Schraube	Tornillo	
11	6194264M91	1	Kit - Steer Arm Assy	Jeu Direction	Lenkung, Satz	Brazo, Conj.	
12	6194265M91	1	Ball Joint	Joint Spherique	Kugelgelenk	Rotula, Conj.	
13	6193677M1	1	Nut, Hex, Jamb - M24 X 1.5, Tr. Rod Lock	Ecrou - M24	Flachmutter	Tuerca	
14	6194266M91	1	Tie Rod	Tringlerie	Zugstange	Barra Dirección, Conj.	
15	6190567M1	2	Grease Nipple	Graisser Coude	Schmiernippel	Engrasador	
16	3523597M1	8	Bolt, Hex, M16 X 38 - Swivel Pins	Goupille	Bolzen	Tornillo	
17	6194275M1	2	King Pin	Axe De Pivotement	Achsschenkelbolzen	Pasador Principal	
18	6194274M1	1	Swivel Housing RH	Carter, Pivot	Gehäuse, Drehgelenk	Cárter, Junta Giratoria	
19	6193283M1	2	Swivel Pin, Lower - W/Greaser, Fr/Rr	Axe De Pivotement	Achsschenkelbolzen	Pasador Principal	
20	3523597M1	8	Bolt, Hex, M16 X 38 - Swivel Pins	Goupille	Bolzen	Tornillo	
21	6190567M1	2	Grease Nipple	Graisser Coude	Schmiernippel	Engrasador	
22	6194269M1	1	Nut M24 X 1.5	Ecrou M24 X 1.5	Mutter M24 X 1.5	Tuerca	
23	6194273M1	4	Bush	Douille	Buschse	Casquillo	
24	6194272M1	4	Nut M16	Ecrou - M16	Mutter - M16	Tuerca	
25	6194271M1	4	Bolt M16 X 130	Boulon M16 X 130	Maschschraube M16	Perno	
26	6190264M1	2	Bush - Swivel Housing	Douille	Büchse	Anillo	
27	6193448M1	2	Oil Seal - Front Swivel Housing	Joint D´Arbre	Wellendichtring	Junta	
28	6194267M91	1	Steering Cylinder	Verin Direction	Lenkzylinder	Gato De Dirección	17002c01.1 16
29	6193684M1	1	Head, Strg. Cylinder - Rr. 4w./Str. Axle	Culasse	Kopf, Zylinder	Culata	
30	#CYLINDER	1	Cylinder	Cylinder	Cylinder	Cylinder	Ref. 28

C-16014-05.1-B

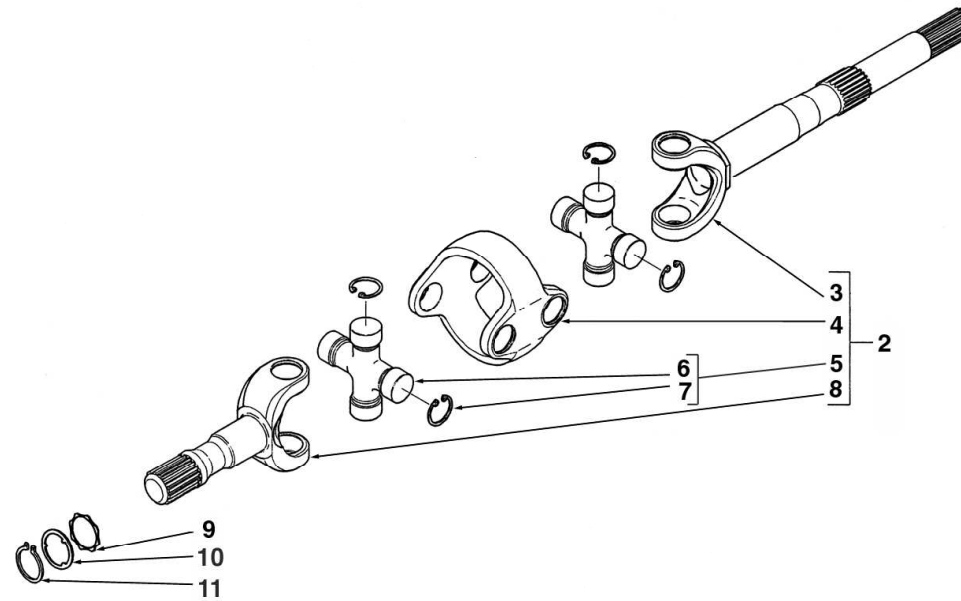




Item	Part No.	Qty.	English	French	German	Spanish	Remarks
31	6193683M91	1	Piston Rod - Rear, 4wh. Strg. Cylinder	Bielle De Piston	Pleuelstange	Tirantes, Conj.	
32	6194277M1	1	Magnetic Ring	Anneau Aimant	Spezialring	Junquillo	
33	6193684M1	1	Head, Strg. Cylinder - Rr. 4w./Str. Axle	Culasse	Kopf, Zylinder	Culata	
34	6193685M91	1	Kit, Seal - Rear Steering Cylinder	Jeu Étanchéité	Dichtringsatz	Juego De Juntas	
35	6194276M91	1	Sensor	Detecteur	Sensor	Captador	
36	6194287M1	2	Clamp	Collier	Halteschelle	Argolla De Cierre	



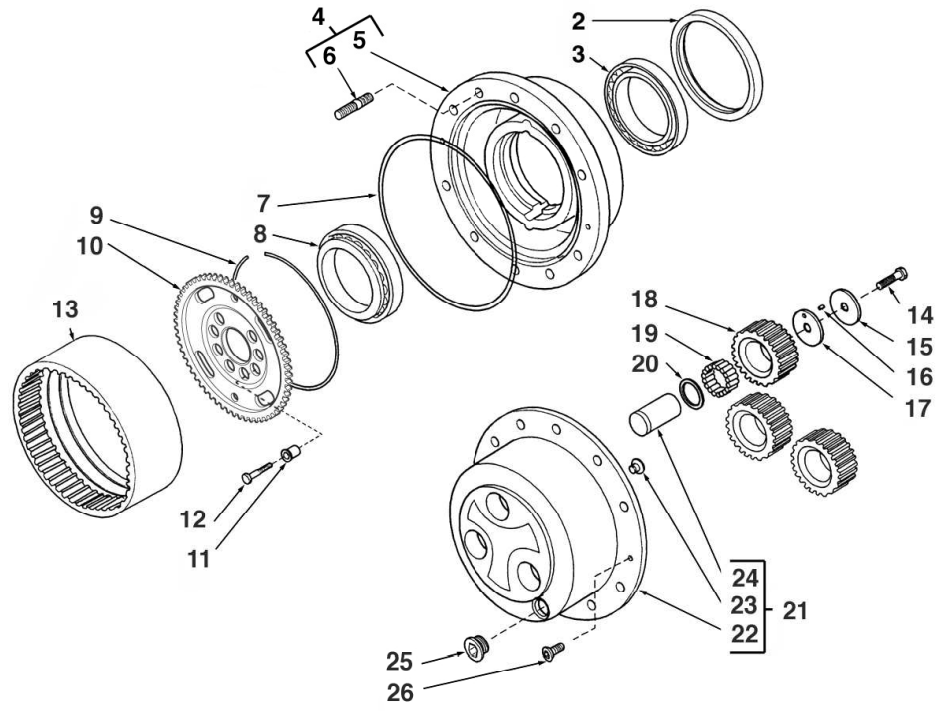
C-16014-06.1-A



Item	Part No.	Qty.	English	French	German	Spanish	Remarks
1	6109146M91	1	Axle Assy - Front 4ws/4wd	Essieu Avant	Achse, Vorne	Puente Delantero, Conj.	Continued
2	6194280M91	2	Kit - Double Joint	Joint, Double	Doppelgelenk	Articulación Doble	
3	6194281M1	2	Fork (Diff Side)	Fourchette	Gabel	Árbol	
4	6193695M1	2	Central Body - Rear Universal Joint	Chape De Cardan	Kreuzgelenkgabel	Yugo De Cardán	
5	6193696M1	4	Cross, Universal Joint - Rr. Dr. Shaft	Ensemble Croisillon	Kreuzstück Kpl.	Cruceta, Conj.	
6	#SPIDER	4	Spider	Spider	Spider	Spider	Ref. 5
7	6193697M1	16	Circlip - Rear Univ. Joints	Segment D'Arrêt	Sicherungsring	Aro	
8	6194282M1	2	Fork (Wheel Side)	Fourchette	Gabel	Árbol	
9	6194283M1	2	Thrust Washer	Rondelle Butee	Anlaufscheibe	Arandela De Tope	
10	6193438M1	2	Washer	Rondelle	Scheibe	Arandela	
11	6190292M1	2	Circlip - Brakes	Segment D'arret	Sicherungsring	Anillo De Resorte	



C-16014-07.1-A



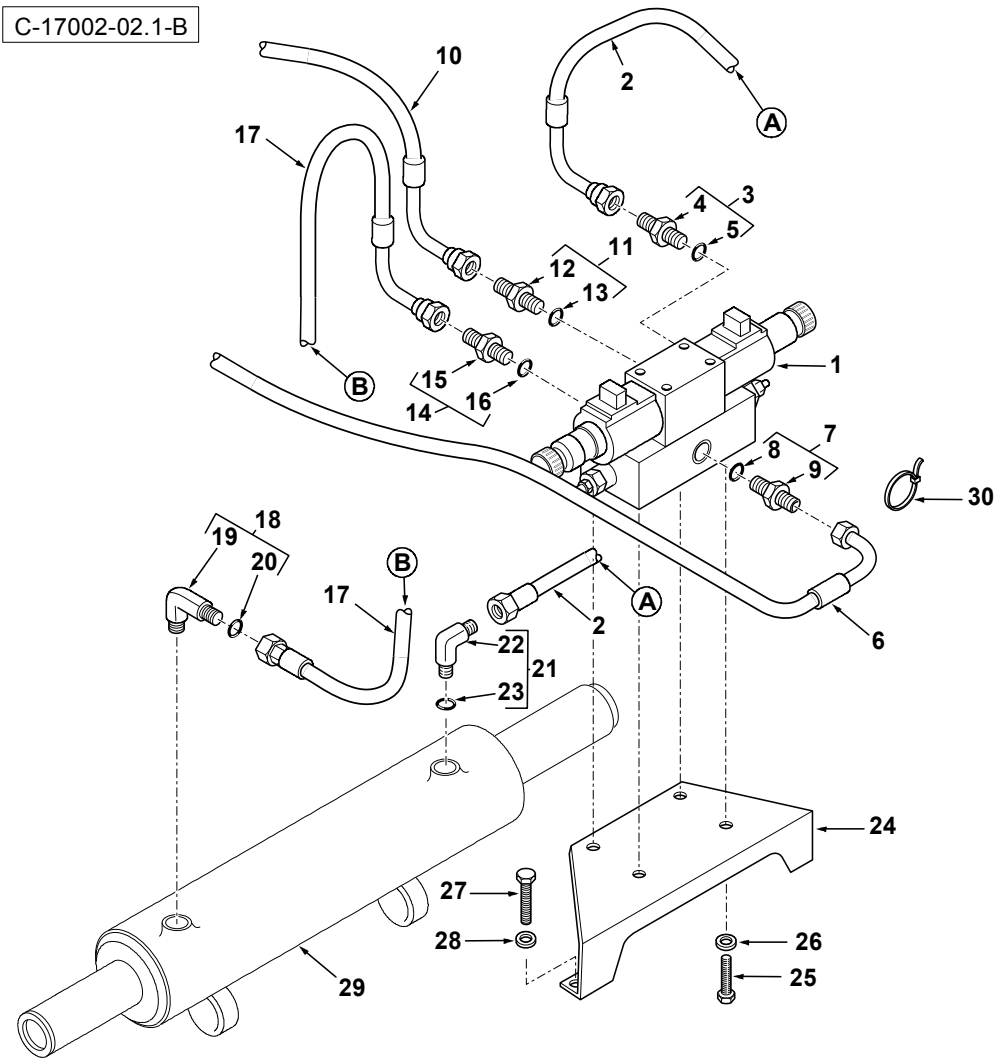
Item	Part No.	Qty.	English	French	German	Spanish	Remarks
1	6109146M91	1	Axle Assy - Front 4ws/4wd	Essieu Avant	Achse, Vorne	Puente Delantero, Conj.	Continued
2	6193704M1	2	Oil Seal - Hub	Joint D´Arbre	Wellendichtring	Junta De Anillo	
3	3475599M1	4	Bearing, Roller	Roulement, Rouleau	Rollenlager	Cojinete De Bolas	
4	6194284M91	2	Kit - Wheel Hub	Moyen Rue, Montage	Radnabe, Kpl	Cubo De Rueda, Conj.	
5	#HUB	1	Hub	Hub	Hub	Hub	Ref. 4
6	6190302M1	10	Stud	Goujon	Stehbolzen	Espárrago	
7	6193409M1	2	O-Ring - Rear Hub	Joint Torique	O-Ring	Junta De Tipo O	
8	3475599M1	2	Bearing, Roller	Roulement, Rouleau	Rollenlager	Cojinete De Bolas	
9	6190290M1	2	Retaining Ring - Brake Plates	Anneau De Retenue	Befestigungsring	Anillo De Retención	
10	6193411M1	2	Gear - Rear Epicyclic	Support	Träger	Portador	
11	3523272M1	16	Bush - Epicyclic, 20mm Diam.	Douille	Buechse	Anillo	
12	3475604M1	16	Bolt - M14 X 65	Boulon - M14 X 65	Schraube	Tornillo	
13	6194285M1	2	Crown Gear Z77	Engrenage	Zahnrad	Piñón	
14	6190283M1	6	Bolt, Hex. - M10 X 50	Vis	Schraube	Tornillo	
15	6190289M1	6	Washer - Brakes	Rondelle	Scheibe	Arandela	
16	6193417M1	6	Roller, Needle	Aiguille	Nadel	Aguja	
17	6190288M1	6	Washer, Thrust - Epicyclic	Rondelle De Butée	Druckscheibe	Arandela De Tope	
18	6190286M1	6	Gear, Epicyclic - 31t	Engrenage	Zahnrad	Piñón	
19	6190285M1	0	Bearing, Needle - Pack Of 10	Roulement, Aiguilles	Nadellager	Aguja	
20	6190284M1	6	Washer, Thrust	Rondelle De Butée	Druckscheibe	Arandela De Tope	
21	6194286M91	2	Planetary Carrier Assy	Planetaire	Planetenrad	Portplanetarios	
22	#CARRIER	1	Carrier	Carrier	Carrier	Carrier	Ref. 21
23	#PIN	1	Pin	Goupille	Bolzen	Pasador	Ref. 21
24	#PIN	3	Pin	Goupille	Bolzen	Pasador	Ref. 21
25	3523632M1	2	Plug	Bouchon	Stopfen	Tapón	
26	6190282M1	4	Screw, C/Sunk - M8 X 20	Vis	Schraube	Tornillo	



Item	Part No.	Qty.	English	French	German	Spanish	Remarks
1	6106008M1	1	Wheel-Steering	Volant	Lenkrad	Volante De Dirección	
2	#PUMP, STEERING	1	Pump, Steering	Pump, Steering	Pump, Steering	Pump, Steering	41010c03.1 18
3	6109248M92	1	Hose Assy - Load Sense	Ensemble Durit	Schlauch Kpl	Flexible, Conj.	
4	358760X91	1	Elbow 90#7/16-7/16 Unf	Coude, 90	Kniestück, 90°	Codo, 90°	
5	#ELBOW	1	Elbow	Elbow	Elbow	Elbow	Ref. 4
6	831495M1	1	O-Ring	Joint Torique	O-Ring	Junta De Tipo O	
7	#VALVE ASSY	1	Valve Assy	Valve Assy	Valve Assy	Valve Assy	Main Hydraulics
8	835007M91	1	Elbow 90 Degree Adjust	Coude 90°	Kniestück 90°	Codo, 90°	
9	#ELBOW	1	Elbow	Elbow	Elbow	Elbow	Ref. 8
10	835024M1	1	Ring O - Boa	Joint Torique	O Ring	Junta De Tipo O	
11	6109245M91	1	Hose Assembly - Pressure	Ensemble De Flexible	Schlauch Kpl.	Flexible, Conj.	
12	6109571M91	1	Hose-Orbitrol/Lh Steer Cyl	Flexible Ass.	Schlauch Kpl	Flexible, Conj.	
13	358781X91	1	Elbow 45 Deg 4ws	Coude 135°	Winkelstück 135°	Codo, 45°	
14	#ELBOW	1	Elbow	Elbow	Elbow	Elbow	Ref. 13
15	#O-RING	1	O-Ring	Joint Torique	O-Ring	Junta Tórica	Ref. 13
16	#CYLINDER ASSY	1	Cylinder Assy	Cylinder Assy	Cylinder Assy	Cylinder Assy	16014c05.1 28
17	357197X91	1	Elbow & O Ring	Coude	Kniestück, 90°	Codo, 90°	
18	#ELBOW	1	Elbow	Elbow	Elbow	Elbow	Ref. 17
19	831452M1	1	O Ring (Pack Of 10)	Joint Torique	O Ring	Junta De Tipo O	
20	6109558M91	1	Hose Assy Valve To Cyl RH	Flexible Ass.	Schlauch Kpl	Flexible, Conj.	17002c02.1 10
21	339011X1	1	Bolt M8-45 Z5s	Boulon	Schraube	Perno	
22	1470376M1	1	Top Plate-Clamp	Plaque	Platte	Placa	
23	1470377M1	1	Clamp Segment	Collier	Halteschelle	Brida De Fijación	
24	1470377M1	1	Clamp Segment	Collier	Halteschelle	Brida De Fijación	
25	6109244M91	1	Hose Assy - Return	Flexible Ass.	Schlauch Kpl	Flexible, Conj.	
26	6110271M91	1	Hose Assy - Orb To Joint	Flexible Ass.	Schlauch Kpl	Flexible, Conj.	
27	6110272M91	1	Hose Assy - Joint To 4ws Valve	Flexible Ass.	Schlauch Kpl	Flexible, Conj.	17002c02.1 6



C-17002-02.1-B

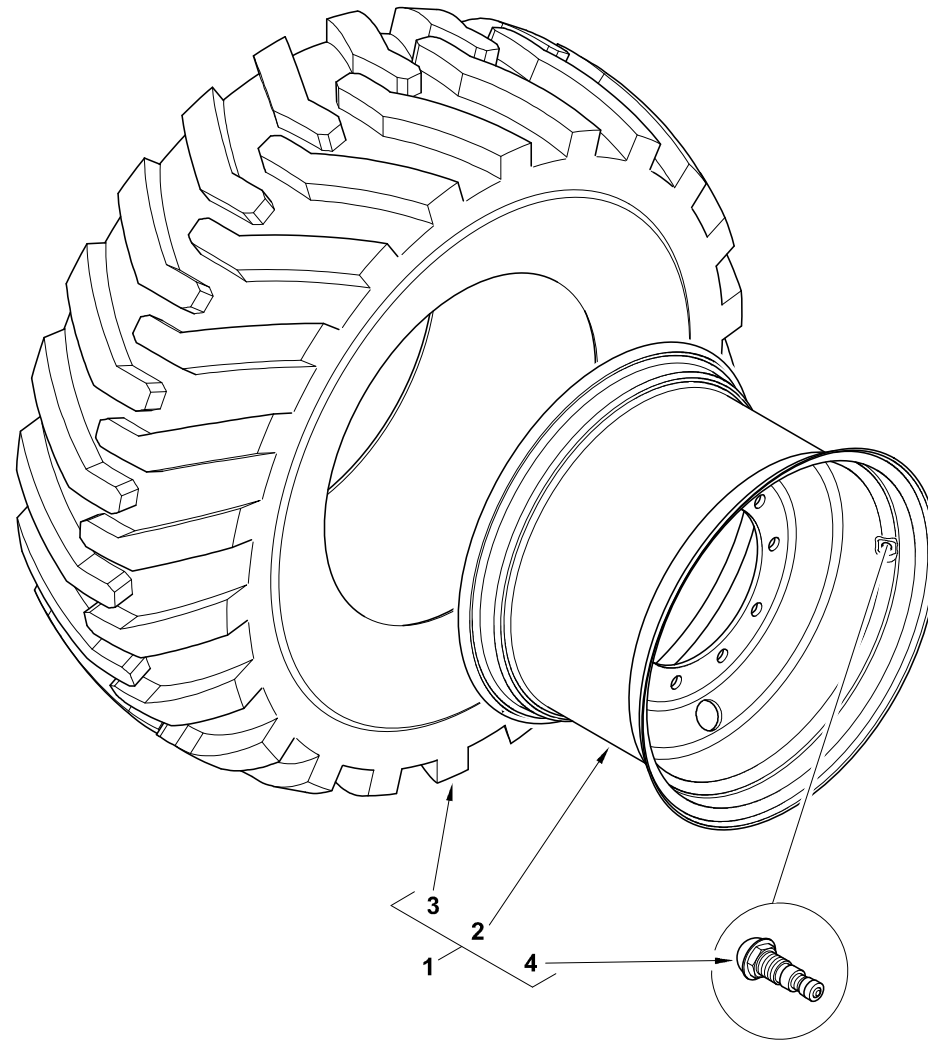




Item	Part No.	Qty.	English	French	German	Spanish	Remarks
1	6109554M92	1	Steering Valve	Ensemble De Soupape	Ventil Kpl.	Válvula, Conj.	
2	6108215M91	1	Hose-Steer	Flexible Ass.	Schlauch Kplt	Flexible, Conj.	
3	835091M91	1	Connector 9/16 Unf	Borne	Doppelnippel	Unión	
4	#CONNECTOR	1	Connector	Connector	Connector	Connector	Ref. 3
5	831452M1	1	O Ring (Pack Of 10)	Joint Torique	O Ring	Junta De Tipo O	
6	6110272M91	1	Hose Assy - Joint To 4ws Valve	Flexible Ass.	Schlauch Kplt	Flexible, Conj.	17002c01.1 27
7	835091M91	1	Connector 9/16 Unf	Borne	Doppelnippel	Unión	
8	#CONNECTOR	1	Connector	Connector	Connector	Connector	Ref. 7
9	831452M1	1	O Ring (Pack Of 10)	Joint Torique	O Ring	Junta De Tipo O	
10	6109558M91	1	Hose Assy Valve To Cyl RH	Flexible Ass.	Schlauch Kplt	Flexible, Conj.	17002c01.1 20
11	835091M91	1	Connector 9/16 Unf	Borne	Doppelnippel	Unión	
12	#CONNECTOR	1	Connector	Connector	Connector	Connector	Ref. 11
13	831452M1	1	O Ring (Pack Of 10)	Joint Torique	O Ring	Junta De Tipo O	
14	835091M91	1	Connector 9/16 Unf	Borne	Doppelnippel	Unión	
15	#CONNECTOR	1	Connector	Connector	Connector	Connector	Ref. 14
16	831452M1	1	O Ring (Pack Of 10)	Joint Torique	O Ring	Junta De Tipo O	
17	6108215M91	1	Hose-Steer	Flexible Ass.	Schlauch Kplt	Flexible, Conj.	
18	357197X91	1	Elbow & O Ring	Coude	Kniestück, 90°	Codo, 90°	
19	#ELBOW	1	Elbow	Elbow	Elbow	Elbow	Ref. 18
20	831452M1	1	O Ring (Pack Of 10)	Joint Torique	O Ring	Junta De Tipo O	
21	357197X91	1	Elbow & O Ring	Coude	Kniestück, 90°	Codo, 90°	
22	#ELBOW	1	Elbow	Elbow	Elbow	Elbow	Ref. 21
23	831452M1	1	O Ring (Pack Of 10)	Joint Torique	O Ring	Junta De Tipo O	
24	6109557M3	1	Bracket-Angle-Steer Valve Supp	Patte Fixation	Halter	Pata De Fijación	
25	339123X1	2	Bolt M8-20 Z5f	Boulon M8 X 20	Maschschraube M8	Perno	
26	390972X1	2	Washer M8-17-1 Zwl	Rondelle M8	Scheibe - M8	Arandela	
27	339123X1	2	Bolt M8-20 Z5f	Boulon M8 X 20	Maschschraube M8	Perno	
28	390972X1	2	Washer M8-17-1 Zwl	Rondelle M8	Scheibe - M8	Arandela	
29	#CYLINDER ASSY	1	Cylinder Assy	Cylinder Assy	Cylinder Assy	Cylinder Assy	37003c04.1 28
30	1862425M1	1	Tie 385mm T50l	Attache Cable	Kabelbinder	Enlace De Cable	



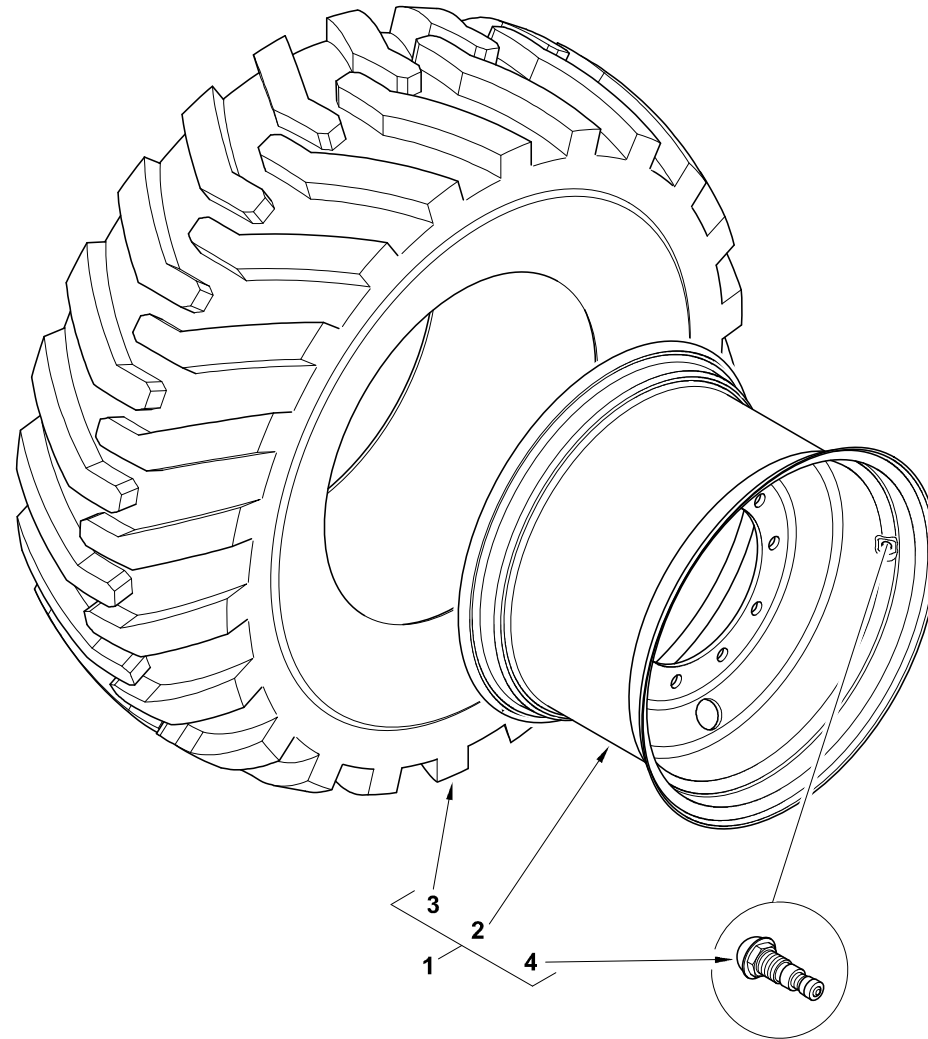
C-15005-01.1-A



Item	Part No.	Qty.	English	French	German	Spanish	Remarks
1	6110746M91Y02	2	Wheel Assy RH	Roue Et Pneu	Rad Mit Bereifg	Rueda, Conj.	
1	6110745M91Y02	2	Wheel & Tyre LH (Benford Yellow)	Roue Et Pneu	Rad Mit Bereifg	Rueda, Conj.	
2	6103183M91Y02	1	Wheel Rim W15I X 24	Roue	Rad	Llanta	
3	6110759M1	1	Tyre - Mitas 16.9 X 24 12p Ti-04 Ind	Pneu	Reifen	Neumático	
4	842537M1	1	Valve Wheel Boa	Soupape	Ventilspindel	Válvula De In•ado	



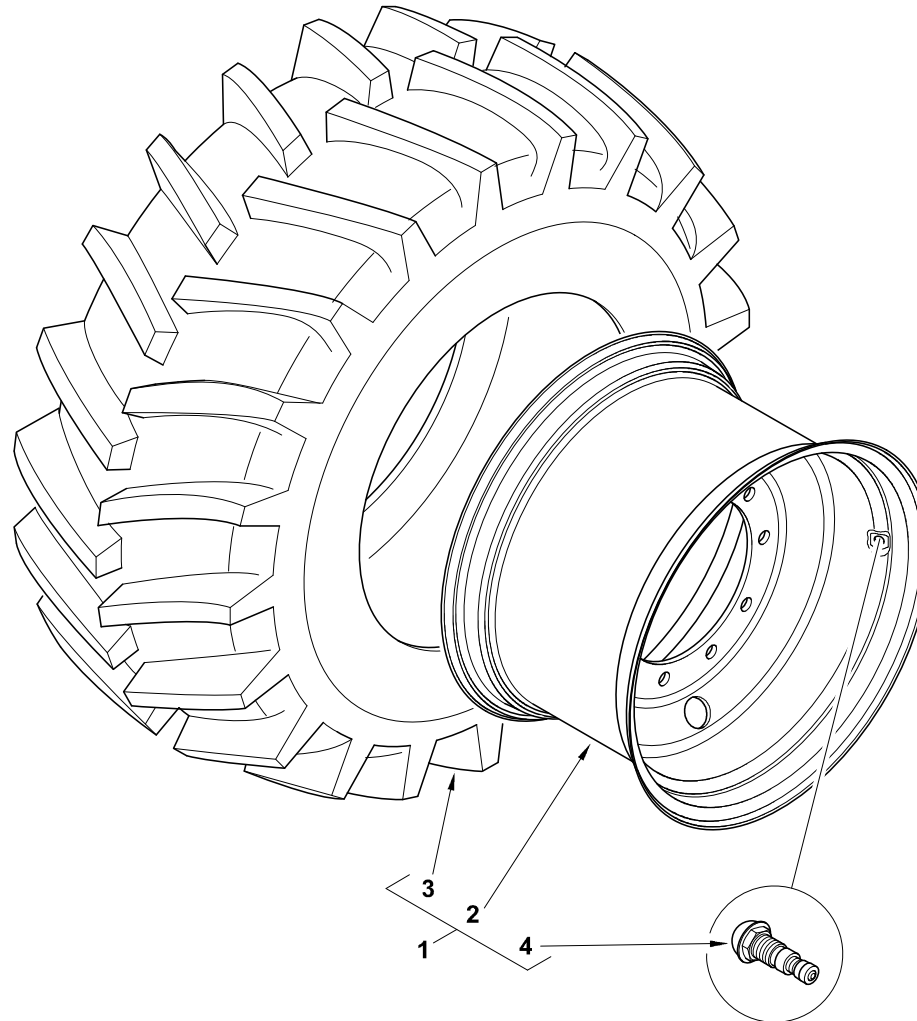
C-15005-01.1-A



Item	Part No.	Qty.	English	French	German	Spanish	Remarks
1	6110746M91W01	2	Wheel Assy RH	Roue Et Pneu	Rad Mit Bereifg	Rueda, Conj.	
1	6110745M91W01	2	Wheel & Tyre LH (Terex White)	Roue Et Pneu	Rad Mit Bereifg	Rueda, Conj.	
2	6103183M91W01	1	Wheel Rim Assy W151 X 24 (Terex White)	Roue	Rad	Llanta	
3	6110759M1	1	Tyre - Mitas 16.9 X 24 12p Ti-04 Ind	Pneu	Reifen	Neumático	
4	842537M1	1	Valve Wheel Boa	Soupape	Ventilspindel	Válvula De In•ado	



C-15009-01.1-A



Item	Part No.	Qty.	English	French	German	Spanish	Remarks
1	6111366M91W01	2	W/T Rh,W15l X 24 445/70 R24 Continental	Roue Et Pneu	Rad Mit Bereifg	Rueda, Conj.	
1	6111366M91Y02	2	W/T Rh,W15l X 24 445/70 R24 Continental	Roue Et Pneu	Rad Mit Bereifg	Rueda, Conj.	
1	6111365M91Y02	2	W/T Lh,W15l X 24 445/70 R24 Continental	Roue Et Pneu	Rad Mit Bereifg	Rueda, Conj.	
1	6111365M91W01	2	W/T Lh,W15l X 24 445/70 R24 Continental	Roue Et Pneu	Rad Mit Bereifg	Rueda, Conj.	
2	6103183M91	1	Wheel W15l X 24	Roue	Rad	Llanta	
3	6111367M1	1	Tyre - Continental 445/70 R24 Mpt70	Pneu	Reifen	Neumático	
4	842537M1	1	Valve Wheel Boa	Soupape	Ventilspindel	Válvula De In•ado	

**Not Serviced**



THIS PAGE INTENTIONALLY LEFT BLANK

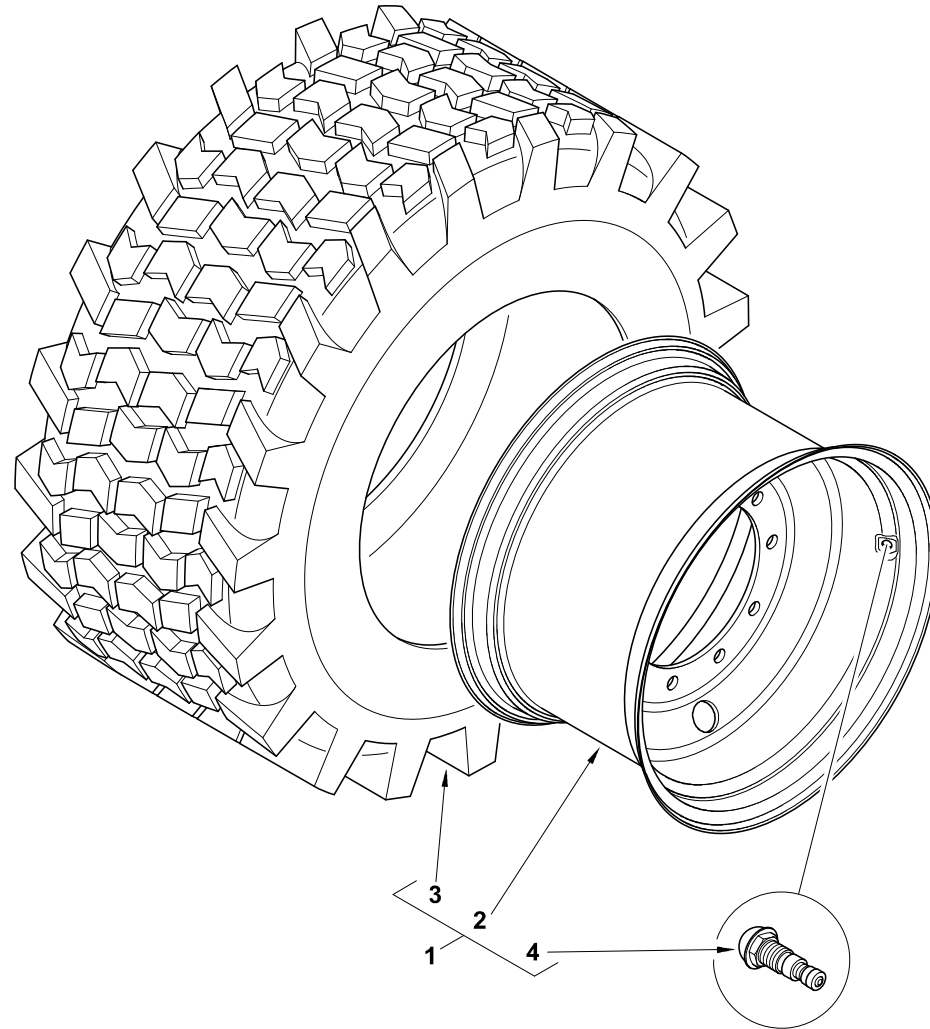


**Not Serviced**

THIS PAGE INTENTIONALLY LEFT BLANK



C-15010-01.1-A



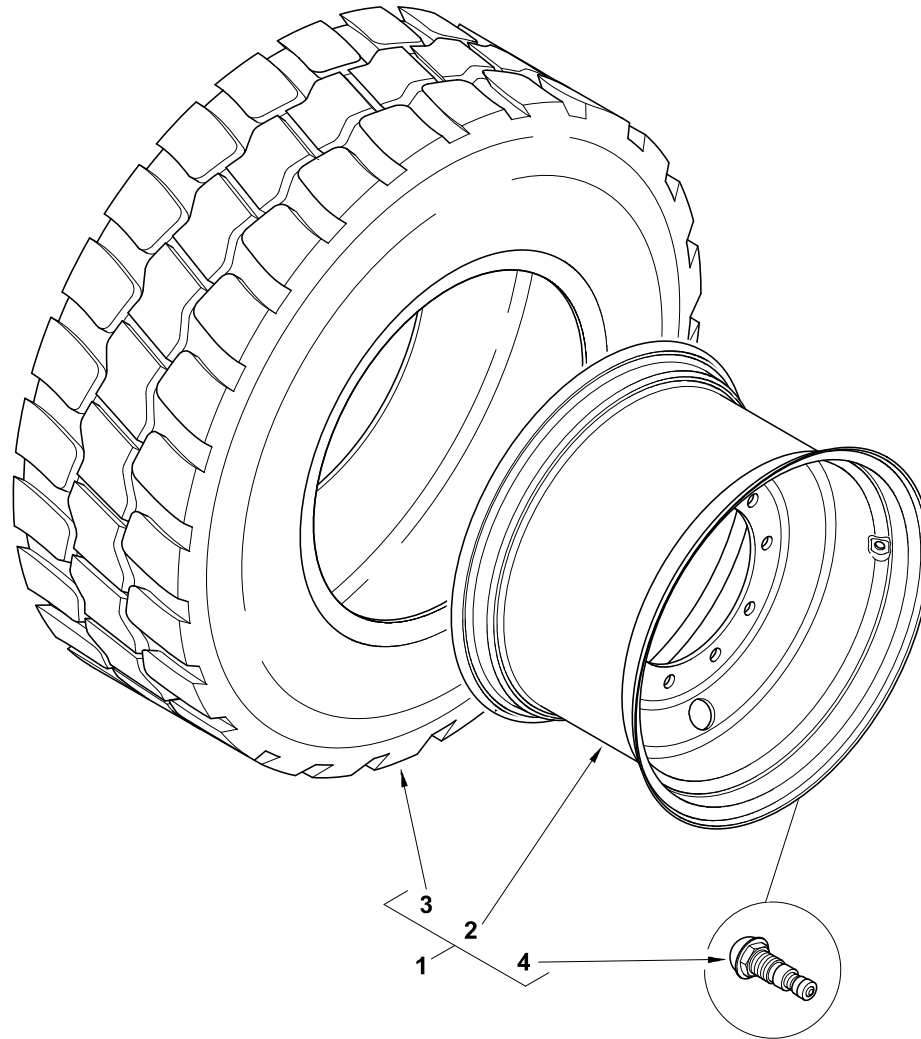
Item	Part No.	Qty.	English	French	German	Spanish	Remarks
1	6111487M91W01	2	W/T Rh,W15lx24 440/80 R24 Nokian W	Roue Et Pneu	Rad Mit Bereifg	Rueda, Conj.	
1	6111487M91Y02	2	W/T Rh,W15lx24 440/80 R24 Nokian Y	Roue Et Pneu	Rad Mit Bereifg	Rueda, Conj.	
1	6111486M91Y02	2	W/T Lh,W15lx24 440/80 R24 Nokian Y	Roue Et Pneu	Rad Mit Bereifg	Rueda, Conj.	
1	6111486M91W01	2	W/T Lh,W15lx24 440/80 R24 Nokian W	Roue Et Pneu	Rad Mit Bereifg	Rueda, Conj.	
2	6103183M91	1	Wheel W15l X 24	Roue	Rad	Llanta	
3	6111488M1	1	Tyre - Nokian 440/80 R24	Pneu	Reifen	Neumático	
4	842537M1	1	Valve Wheel Boa	Soupape	Ventilspindel	Válvula De In•ado	



**Not Serviced**

THIS PAGE INTENTIONALLY LEFT BLANK

C-15011-01.1-A

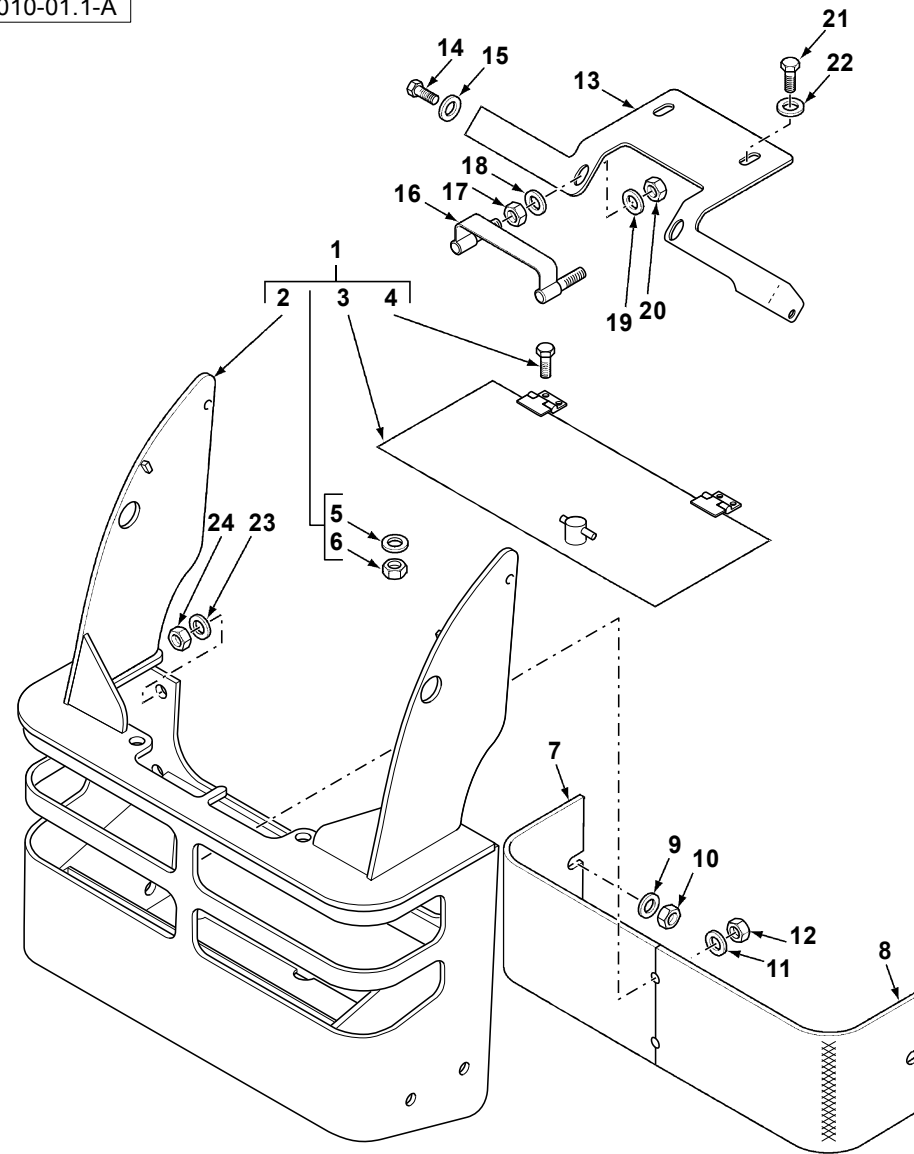




Item	Part No.	Qty.	English	French	German	Spanish	Remarks
1	6112066M91Y02	4	Wheel Assy W15lx24 440/80 R24 Gy	Roue Et Pneu	Rad Mit Bereifg	Rueda, Conj.	
1	6112066M91W01	4	Wheel Assy W15lx24 440/80r24 Gy	Roue Et Pneu	Rad Mit Bereifg	Rueda, Conj.	
2	6103183M91	1	Wheel W15l X 24	Roue	Rad	Llanta	
3	6112071M1	1	Tyre - Goodyear 440/80 R24 Ind R4 It530 Radial	Pneu	Reifen	Neumático	
4	842537M1	1	Valve Wheel Boa	Soupape	Ventilspindel	Válvula De In•ado	



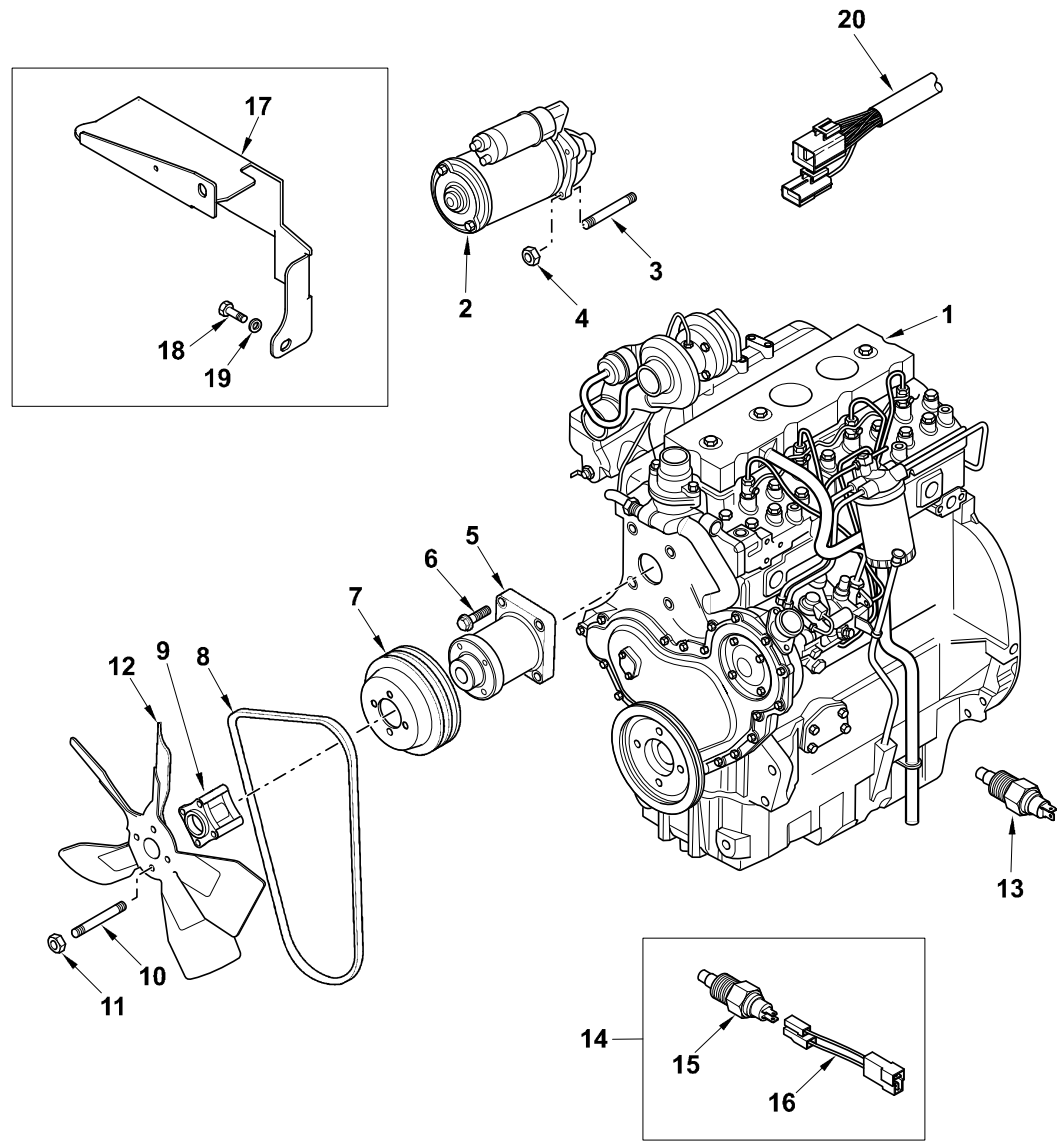
C-20010-01.1-A



Item	Part No.	Qty.	English	French	German	Spanish	Remarks
1	6110105M91	1	Hardnose Assembly	Embout Stellité	Schnauze	Carcasa Rígida	
2	#FRAME	1	Frame	Frame	Frame	Frame	Ref. 1
3	6110134M91	1	Flap Toolbox - W/Assy	Ensemble De Couvercle	Abdeckung Kplt	Tapa, Conj.	
4	339666X1	4	Bolt M6-20 Z5f	Boulon M6 X 20	Maschschraube Metr M	Tornillo	
5	390971X1	4	Washer M6-12-1 Zwl	Rondelle - M6	Scheibe - M6	Arandela	
6	1441500X1	4	Nut M6 Z5 Nyloc	Ecrou	Flachmutter M6	Tuerca De Retención	
7	6110138M2	1	Grille	Calandre	Grillgitter	Rejilla	
8	6110136M92	1	Grille W/Assy	Grille	Grill	Rejilla	
9	390972X1	2	Washer M8-17-1 Zwl	Rondelle M8	Scheibe - M8	Arandela	
10	394367X1	2	Nut, Hex. - Nyloc, M8	Ecrou Blocage M8	Flachmutter - M8	Tuerca De Retención	
11	390972X1	1	Washer M8-17-1 Zwl	Rondelle M8	Scheibe - M8	Arandela	
12	394367X1	1	Nut, Hex. - Nyloc, M8	Ecrou Blocage M8	Flachmutter - M8	Tuerca De Retención	
13	6109350M91	1	Bracket-Cooler Support	Ensemble De Support	Haltevorrichtung Kpl.	Apoyadero, Conj.	
14	3009493X1	2	Bolt M10-30 Z5c	Boulon M10 X 30	Maschschraube M10	Perno	
15	390734X1	2	Washer M10-21-2 Z	Rondelle - M10	Unterlegscheibe	Arandela	
16	6109686M92	1	Latch W/Assy	Ensemble De Verrou	Riegel Kpl.	Cerrojo, Conj.	
17	339169X1	2	Nut, Hex. - M8, Coarse	Ecrou Métrique	Mutter Metrisch	Tuerca	
18	390972X1	2	Washer M8-17-1 Zwl	Rondelle M8	Scheibe - M8	Arandela	
19	390972X1	2	Washer M8-17-1 Zwl	Rondelle M8	Scheibe - M8	Arandela	
20	339169X1	2	Nut, Hex. - M8, Coarse	Ecrou Métrique	Mutter Metrisch	Tuerca	
21	339123X1	2	Bolt M8-20 Z5f	Boulon M8 X 20	Maschschraube M8	Perno	
22	390972X1	2	Washer M8-17-1 Zwl	Rondelle M8	Scheibe - M8	Arandela	
23	3019575X1	4	Washer M16 Hardened	Rondelle	Scheibe	Arandela	
24	339034X1	4	Nut, Hex. - M16, Coarse, Grade 8	Ecrou Métrique	Mutter Metrisch	Tuerca	



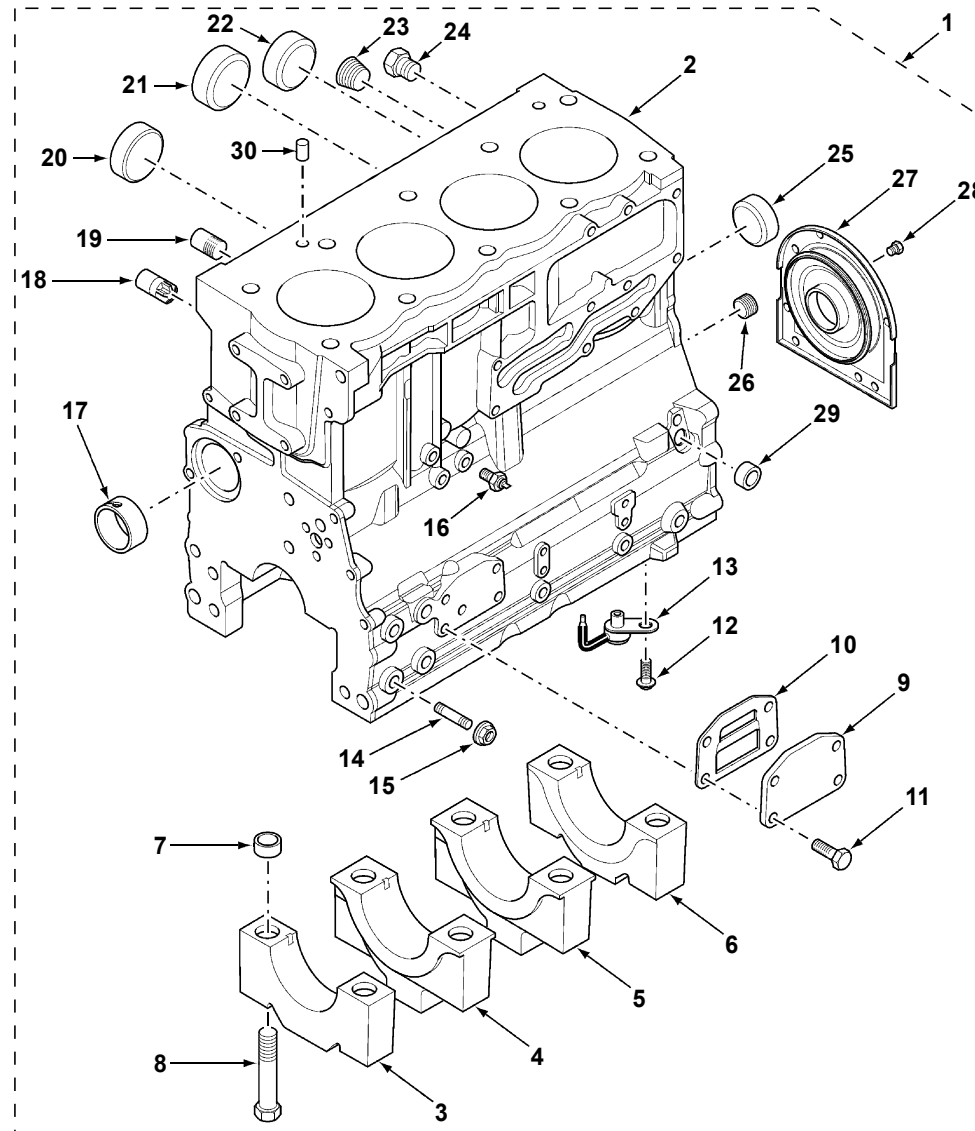
C-21012-01.1-E



Item	Part No.	Qty.	English	French	German	Spanish	Remarks
1	6110150M91	1	Engine-100hp Green No Air Con	Ensemble De Moteur Thermique	Dieselmotor Kpl.	Motor Térmico, Conj.	
2	2873K404	1	Starter Motor	Demarreur	Anlasser	Arrancador	
3	2313C078	3	Stud	Goujon	Stehbolzen	Espárrago	
4	2318A604	3	Nut	Ecrou	Mutter	Tuerca	
5	4113K005	1	Housing - Fan Drive	Carter	Gehäuse	Cárter, Conj.	
6	2314J005	4	Bolt	Goupille	Bolzen	Perno	
7	3115C113	1	Pulley - Fan	Poulie Ventil.	Rs, Lüfter	Polea	
8	2614B650	2	Belts - Matched Pair (2)	Courroie	Keilrlüfter	Correa Trapezoidal	
9	3748W223	1	Fan Spacer	Rallonge	Verlängerung	Extensión	
10	2313H229	4	Stud	Goujon	Stehbolzen	Espárrago	
11	2318D208	4	Nut	Ecrou	Mutter	Tuerca	
12	6110111M91	1	Fan 20"	Ventilateur	Lüfter	Ventilador	
13	6110563M91	1	Water Temperature Sender / Switch	Capteur	Sensor	Captador	Ref. 14
14	#KIT, PARTS	1	Kit, Parts	Kit, Parts	Kit, Parts	Kit, Parts	Ref. 13
15	6111886M91	1	Water Temperature Sender/Switch	Capteur	Sensor	Captador	
16	6111830M91	1	Adaptor Harness	Faisceau	Kabelbaum	Haz	
17	6111448M1	1	Plate - De•ector	Dé•ecteur	Abweisblech	De•ector	
18	3009491X1	2	Bolt M10 X 20	Boulon	Maschschraube M10	Tornillo	
19	390734X1	2	Washer M10-21-2 Z	Rondelle - M10	Unterlegscheibe	Arandela	
20	6112297M91	1	Harness - Engine (No Aircon)	Faisceau	Beschirrung	Haz, Conj.	Ec06/395



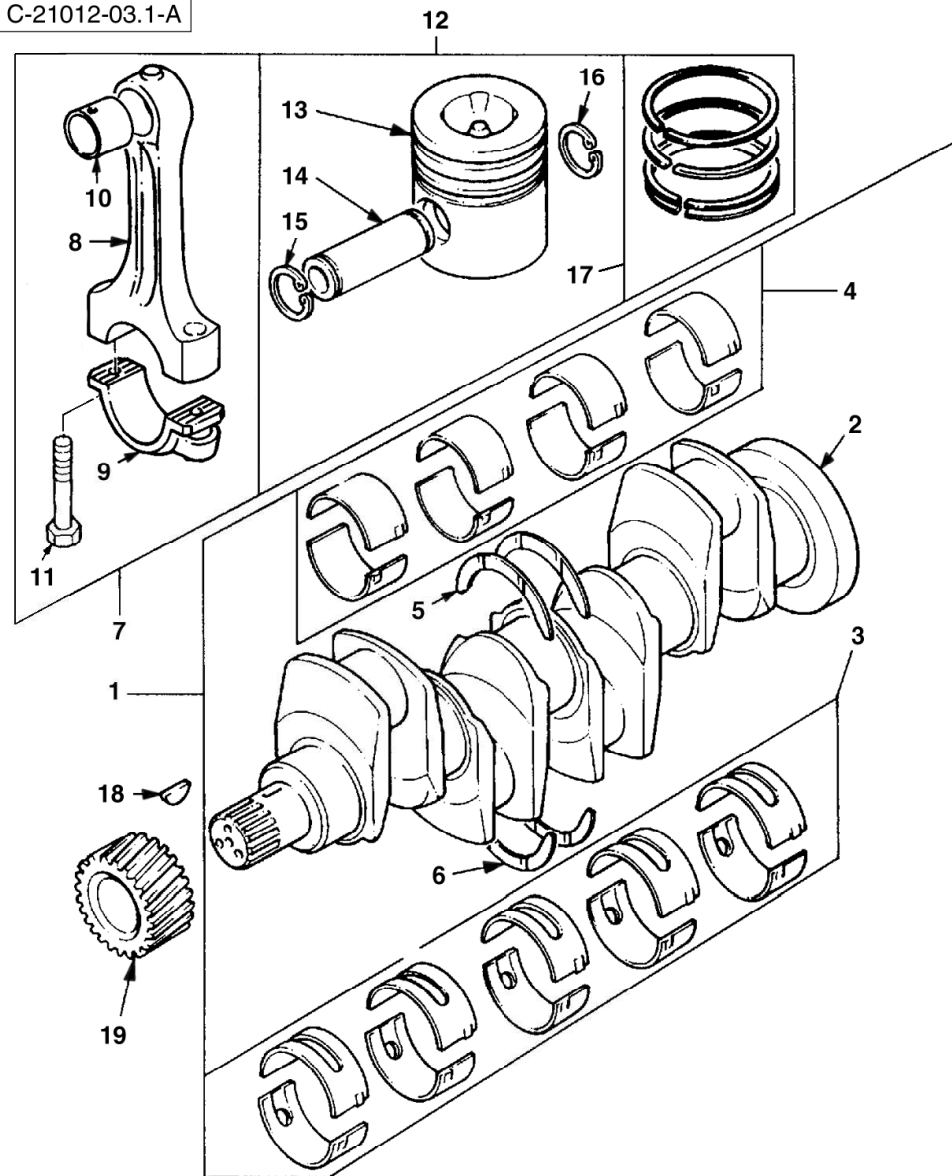
C-21012-02.1-A



Item	Part No.	Qty.	English	French	German	Spanish	Remarks
1	ZZ50311	1	Kit - Cylinder Block	Bloc Cylindres	Motorblock	Bloque Cilindros	
2	#BLOCK, CYLINDER	1	Block, Cylinder	Block, Cylindre	Block, Cylinder	Block, Cylinder	Ref. 1
3	#BEARING, SUPPORT	1	Bearing, Support	Bearing, Support	Bearing, Support	Bearing, Support	Ref. 1
4	#BEARING, SUPPORT	2	Bearing, Support	Bearing, Support	Bearing, Support	Bearing, Support	Ref. 1
5	#BEARING, SUPPORT	1	Bearing, Support	Bearing, Support	Bearing, Support	Bearing, Support	Ref. 1
6	#BEARING, SUPPORT	1	Bearing, Support	Bearing, Support	Bearing, Support	Bearing, Support	Ref. 1
7	33142111	10	Thimble	Cosse	Muffe	Anillo De Centrado	
8	32166329	10	Screw	Vis	Schraube	Tornillo	
9	3623A009	1	Plate - Blanking	Plaque	Platte	Placa	
10	3688A039	1	Joint	Joint Plat	Dichtung	Articulación	
11	2314H033	4	Screw	Vis	Schraube	Tornillo	
12	2314F001	4	Screw	Vis	Schraube	Tornillo	
13	2113A001	4	Piston : Cooling Jet - Nla	Refroidisseur	Kühler	Enfriador	
14	2313M101	8	Eng/Mt Studs P/Kins 35mm	Goujon	Stehbolzen	Espárrago	
15	2318A605	8	Eng/Mt Nuts	Ecrou	Sechskantmutter	Tuerca	
16	2848062	1	Oil Pressure Switch	Sonde	Messfühler	Sonda	
17	3112D071	1	Bush - Camshaft	Douille	Büchse	Casquillo	
18	3212V006	1	Plug	Bouchon	Stopfen	Tapón	
19	3212V005	1	Plug	Bouchon	Stopfen	Tapón	
20	2485A108	1	Plug - Blanking	Obturateur	Verschlussstopfen	Tapón De Bloqueo	
21	3241A011	2	Plug	Bouchon	Stopfen	Tapón	
22	0650710	1	Core Plug	Bouchon	Stopfen	Tapon	
23	0650588	1	Plug	Bouchon	Stopfen	Tapon	
24	32141316	2	Plug	Bouchon	Stopfen	Tapón	
25	3241A012	1	Plug	Bouchon	Stopfen	Tapón	
26	3212P008	1	Plug	Bouchon	Stopfen	Tapón	
27	2418F704	1	Housing - Rear Oil Seal	Carter	Gehäuse	Cárter	
28	3211C002	10	Bolt - Metric	Goupille	Bolzen	Perno	
29	2485A109	1	Plug	Bouchon	Stopfen	Tapón	
30	3244A009	2	Dowel	Plot	Zylinderstift	Peón	



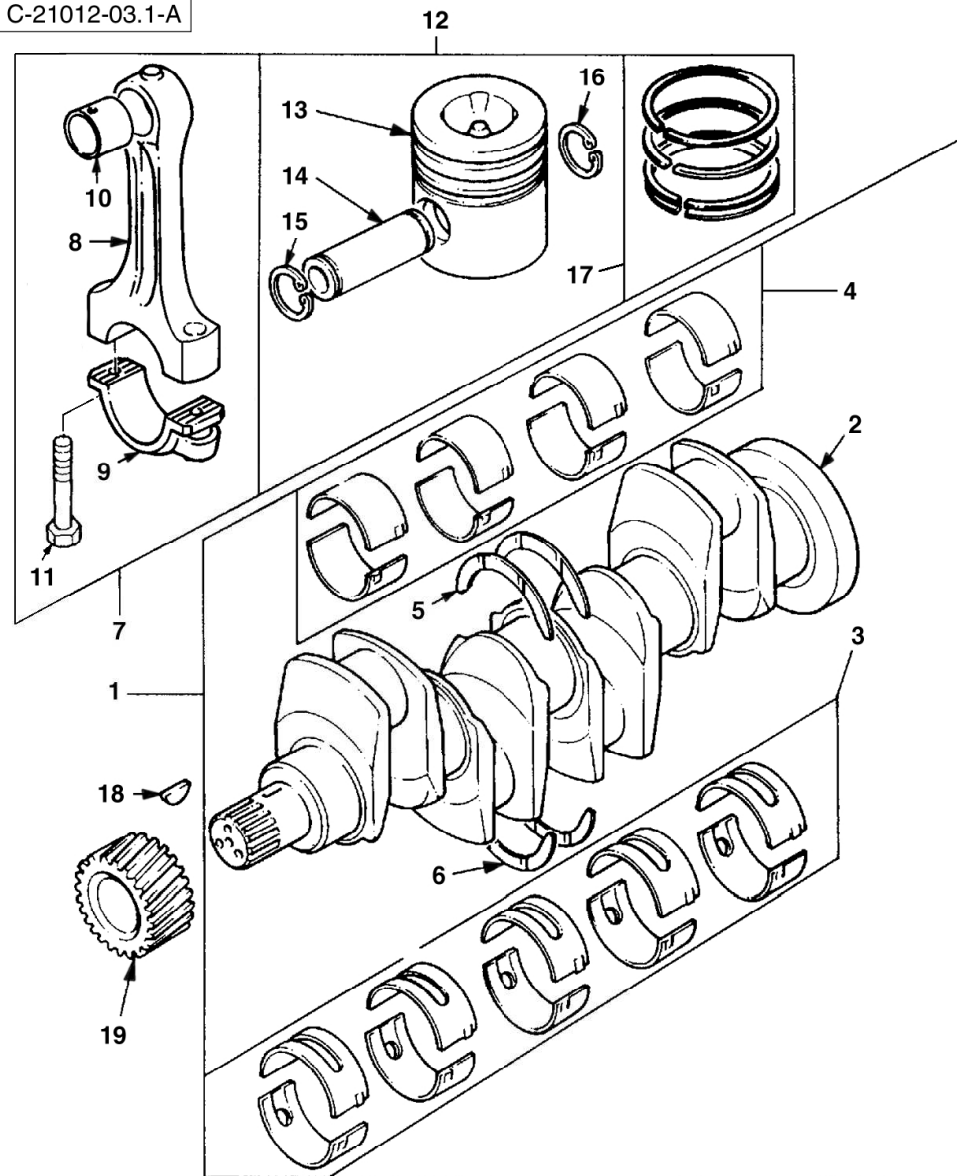
C-21012-03.1-A





Item	Part No.	Qty.	English	French	German	Spanish	Remarks
1	ZZ90222	1	Kit - Crankshaft	Ensemble Vilebrequin	Kurbelwelle Kpl.	Cigüeñal, Conj.	
2	#CRANKSHAFT	1	Crankshaft	Crankshaft	Crankshaft	Crankshaft	Ref. 1
3	U5MB0018	1	Kit - Main Bearing (Standard)	Jeu Coussinets	Lagersatz	Cojinete De Palier	
3	U5MB0018C	0	Kit - Main Bearing (+)0.030"	Jeu Coussinets	Lagersatz	Cojinete De Palier	
3	U5MB0018B	0	Kit - Main Bearing (+)0.020"	Jeu Coussinets	Lagersatz	Cojinete De Palier	
3	U5MB0018A	0	Kit - Main Bearing (+)0.010"	Jeu Coussinets	Lagersatz	Cojinete De Palier	
4	U5ME0013C	0	Kit - Big End Bearing (+)0.030"	Jeu Coussinets	Lagersatz	Cojinete De Biela	
4	U5ME0013	1	Kit - Big End Bearing (Standard)	Jeu Coussinets	Lagersatz	Cojinete De Biela	
4	U5ME0013B	0	Kit - Big End Bearing (+)0.020"	Jeu Coussinets	Lagersatz	Cojinete De Biela	
4	U5ME0013A	0	Kit - Big End Bearing (+)0.010"	Jeu Coussinets	Lagersatz	Cojinete De Biela	
5	31137312	0	Thrust Washer (+) 0.007"	Rondelle De Butée	Druckscheibe	Calce	
5	31137551	1	Thrust Washer	Rondelle De Butée	Druckscheibe	Calce	
6	31137561	1	Washer - Thrust	Rondelle Butee	Druckscheibe	Calce	
6	31137322	0	Thrust Washer (+) 0.007"	Rondelle De Butée	Druckscheibe	Calce	
7	4115C314	4	Conrod Kit - Grade 'j' (Green)	Ensemble De Bielle	Pleuelstange Kpl.	Biela, Conj.	
7	4115C316	4	Conrod Kit - Grade 'l' (Blue)	Ensemble De Bielle	Pleuelstange Kpl.	Biela, Conj.	
7	4115C315	4	Conrod Kit - Grade 'k' (Purple)	Ensemble De Bielle	Pleuelstange Kpl.	Biela, Conj.	
7	4115C313	4	Conrod Kit - Grade 'h' (White)	Ensemble De Bielle	Pleuelstange Kpl.	Biela, Conj.	
7	4115C312	4	Conrod Kit - Grade 'g' (Orange)	Ensemble De Bielle	Pleuelstange Kpl.	Biela, Conj.	
7	4115C311	4	Conrod Kit - Grade 'f' (Red)	Ensemble De Bielle	Pleuelstange Kpl.	Biela, Conj.	
8	#ROD, CONNECTING	1	Rod, Connecting	Rod, Connecting	Rod, Connecting	Rod, Connecting	Ref. 7
9	#CAP	1	Cap	Chapeau	Kappe	Tapa	Ref. 7
10	3112A005	1	Bush - Small End	Douille	Büchse	Casquillo	
11	3212V003	2	Bolt - Con Rod	Goupille	Bolzen	Perno	
12	4115P015	4	Kit - Piston And Ring	Jeu Segm Piston	Kolbenringsatz	Pistón, Conj.	
13	#PISTON	1	Piston	Piston	Piston	Piston	Ref. 12
14	#PIN	1	Pin	Goupille	Bolzen	Pasador	Ref. 12
15	2721332	1	Circlip - Gudgeon Pin	Segment D'Arrêt	Sicherungsring	Circlip	
16	2721332	1	Circlip - Gudgeon Pin	Segment D'Arrêt	Sicherungsring	Circlip	
17	UPRK0002	1	Kit - Piston Ring	Jeu Segm Piston	Kolbenringsatz	Juego De Segmentos	

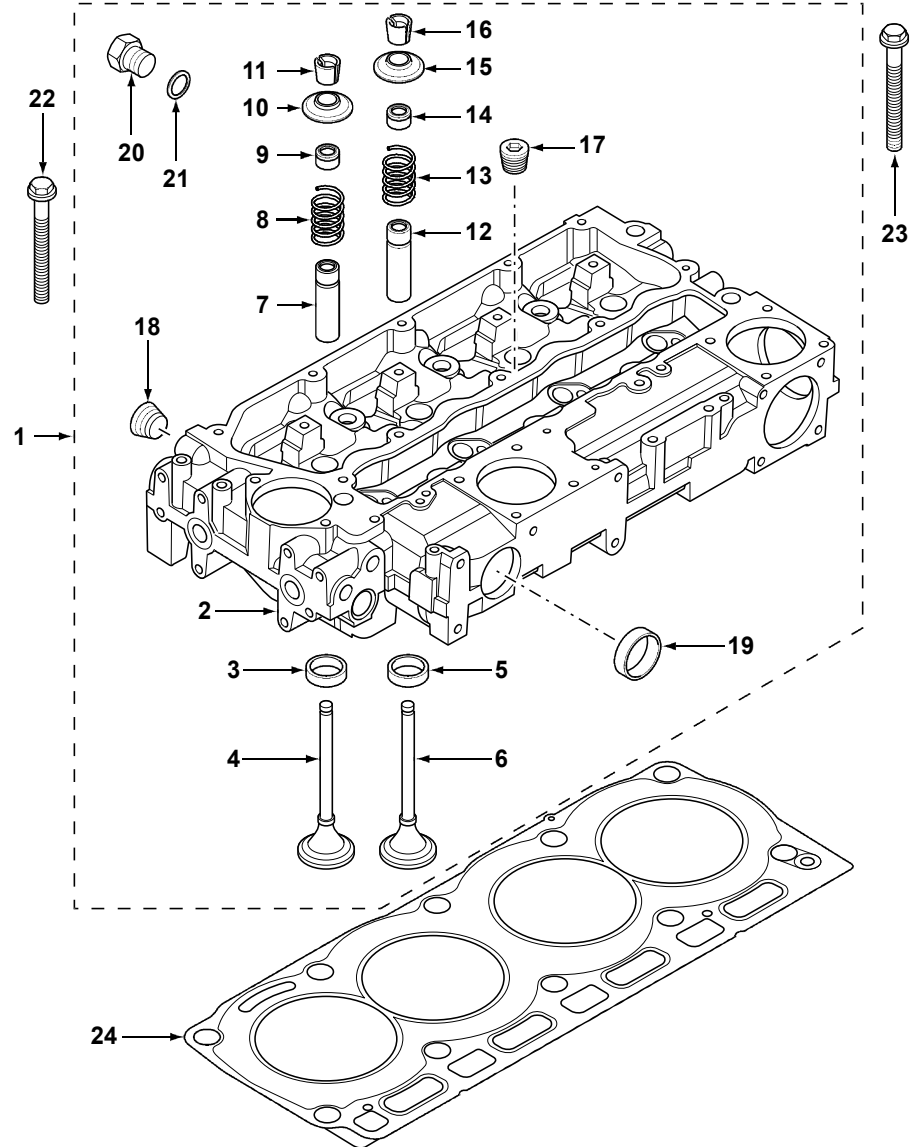
C-21012-03.1-A



<b>Item</b>	<b>Part No.</b>	<b>Qty.</b>	<b>English</b>	<b>French</b>	<b>German</b>	<b>Spanish</b>	<b>Remarks</b>
18	0500012	1	Key - Woodruff	Clavette Demi-Lune	Scheibenfeder	Chaveta Media-Luna	
19	3117C221	1	Gear - Crankshaft	Pignon	Zahnrad	Piñón	



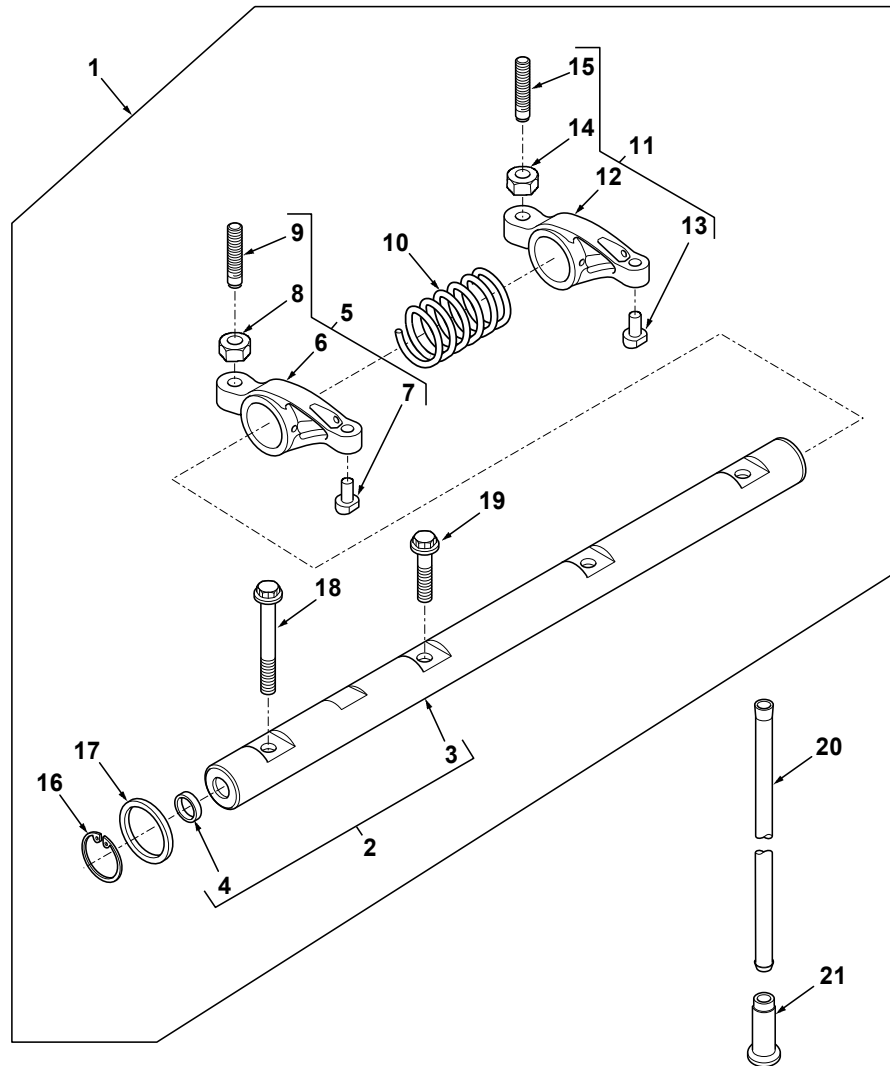
C-21012-04.1-A



Item	Part No.	Qty.	English	French	German	Spanish	Remarks
1	ZZ80268	1	Kit - Cylinder Head	Culasse	Kopf, Zylinder	Culata	
2	#HEAD, CYLINDER	1	Head, Cylinder	Head, Cylinder	Head, Cylinder	Head, Cylinder	Ref. 1
3	3314A151	4	Inlet Valve Insert	Insert	Einsatz	Inserción	
4	3142H071	4	Valve - Inlet	Soupape D'Admission	Einlassventil	Válvula De Admisión	
5	3314A161	4	Exhaust Valve Insert	Insert	Einsatz	Inserción	
6	3142A151	4	Valve - Exhaust	Soupape Echappem.	Auslassventil	Válvula De Escape	
7	3313E021	4	Valve Guide	Guide	Führung	Guía	
8	3174A016	4	Spring - Valve	Ressort, Soupape	Ventilfeder	Muelle, Válvula	
9	2418M514	4	Valve Stem Seal	Jeu Etancheite	Dichtringsatz	Anillo, Estanqueidad	
10	3342A011	4	Valve Cap	Chapeau	Kappe	Sombbrero	
11	3142W004	4	Retainer	Arrêtoir	Befestigungsteil	Fijación	
12	3313E021	4	Valve Guide	Guide	Führung	Guía	
13	3174A016	4	Spring - Valve	Ressort, Soupape	Ventilfeder	Muelle, Válvula	
14	2418M514	4	Valve Stem Seal	Jeu Etancheite	Dichtringsatz	Anillo, Estanqueidad	
15	3342A011	4	Valve Cap	Chapeau	Kappe	Sombbrero	
16	3142W004	4	Retainer	Arrêtoir	Befestigungsteil	Fijación	
17	0650588	4	Plug	Bouchon	Stopfen	Tapon	
18	2431154	1	Plug	Bouchon	Stopfen	Tapón	
19	32416117	2	Plug	Bouchon	Stopfen	Tapón	
20	3278A006	1	Plug	Bouchon	Stopfen	Tapón	
21	2415H003	1	O - Ring	Joint Torique	O-Ring	Junta De Tipo O	
22	3218A011	7	Screw	Vis	Schraube	Perno	
23	3218A012	3	Screw	Vis	Schraube	Perno	
24	3681E046	1	Gasket - Cylinder Head	Joint De Culasse	Dichtung, Zylinderko	Junta De Culata	



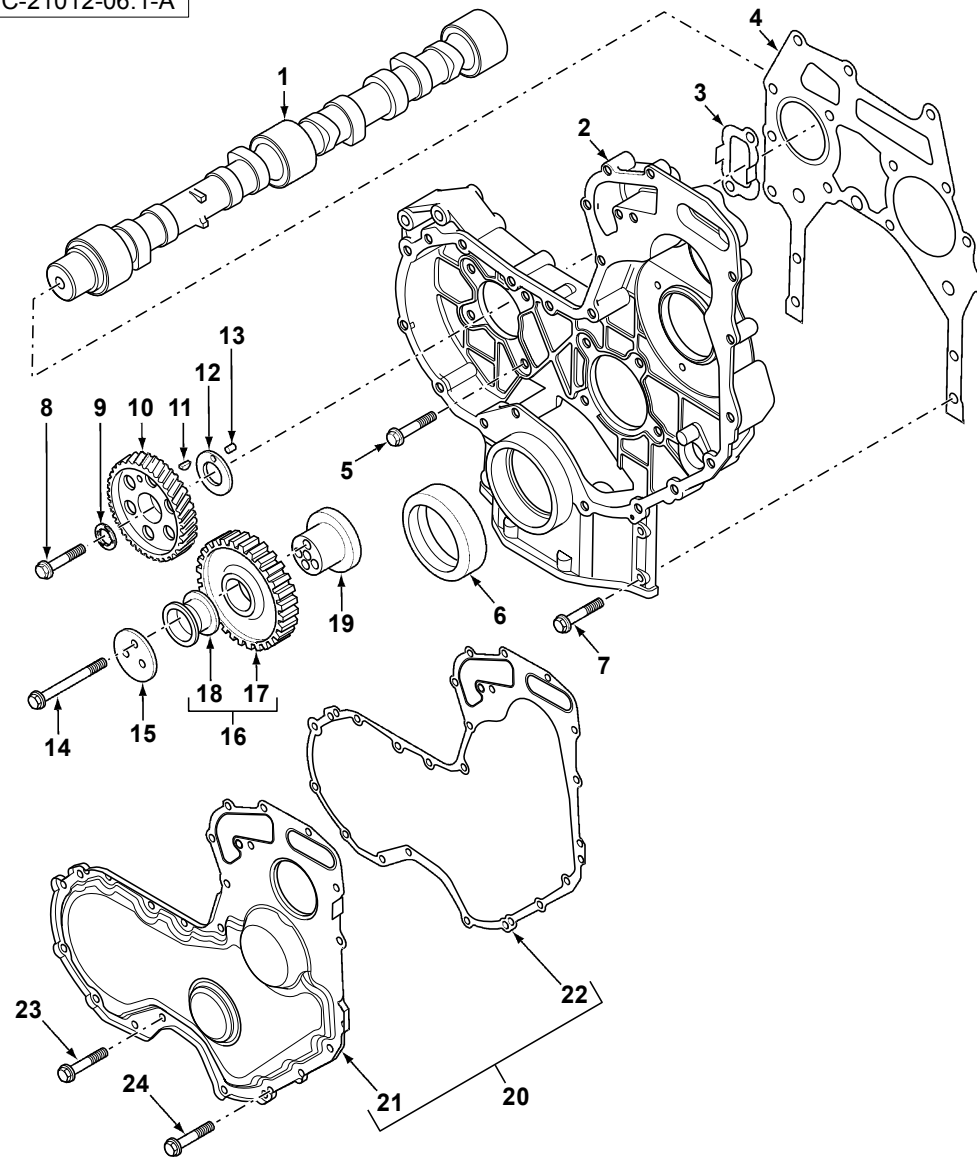
C-21012-05.1-A



Item	Part No.	Qty.	English	French	German	Spanish	Remarks
1	4115R612	1	Rocker Assembly	Ensemble De L'Arbre	Welle Kpl.	Árbol, Conj.	
2	4115R703	1	Rocker Shaft Assembly	Arbre Culbuteurs	Schwingwelle	Árbol, Conj.	
3	#SHAFT	1	Shaft	Shaft	Shaft	Shaft	Ref. 2
4	2485A104	2	Plug	Bouchon	Stopfen	Tapón	
5	4115R314	4	Rocker Arm Assembly	Culbuteur	Ventilhebel	Balancín De Válvula	
6	#ARM	1	Arm	Bras	Arm	Brazo	Ref. 5
7	#PAD	1	Pad	Pad	Pad	Pad	Ref. 5
8	0576052	1	Nut	Ecrou	Mutter	Tuerca	
9	32114145	1	Screw	Vis	Schraube	Tornillo	
10	3174A015	3	Spring - Rocker Shaft	Siège De Ressort	Federsitz	Muelle	
11	4115R315	4	Rocker Arm Assembly	Culbuteur	Ventilhebel	Balancín De Válvula	
12	#ARM	1	Arm	Bras	Arm	Brazo	Ref. 11
13	#PAD	1	Pad	Pad	Pad	Pad	Ref. 11
14	0576052	1	Nut	Ecrou	Mutter	Tuerca	
15	32114145	1	Screw	Vis	Schraube	Tornillo	
16	2722A022	2	Circlip	Segment D'Arrêt	Sicherungsring	Circlip	
17	2134A502	2	Washer	Rondelle	Scheibe	Arandela	
18	2316A901	1	Screw	Vis	Schraube	Tornillo	
19	2316A902	3	Screw	Vis	Schraube	Tornillo	
20	31434307	8	Rod - Push	Tige De Culbuteur	Stange, Stössel-	Varilla	
21	3142U031	8	Cam Follower	Poussoir	Stössel	Pulsador	



C-21012-06.1-A

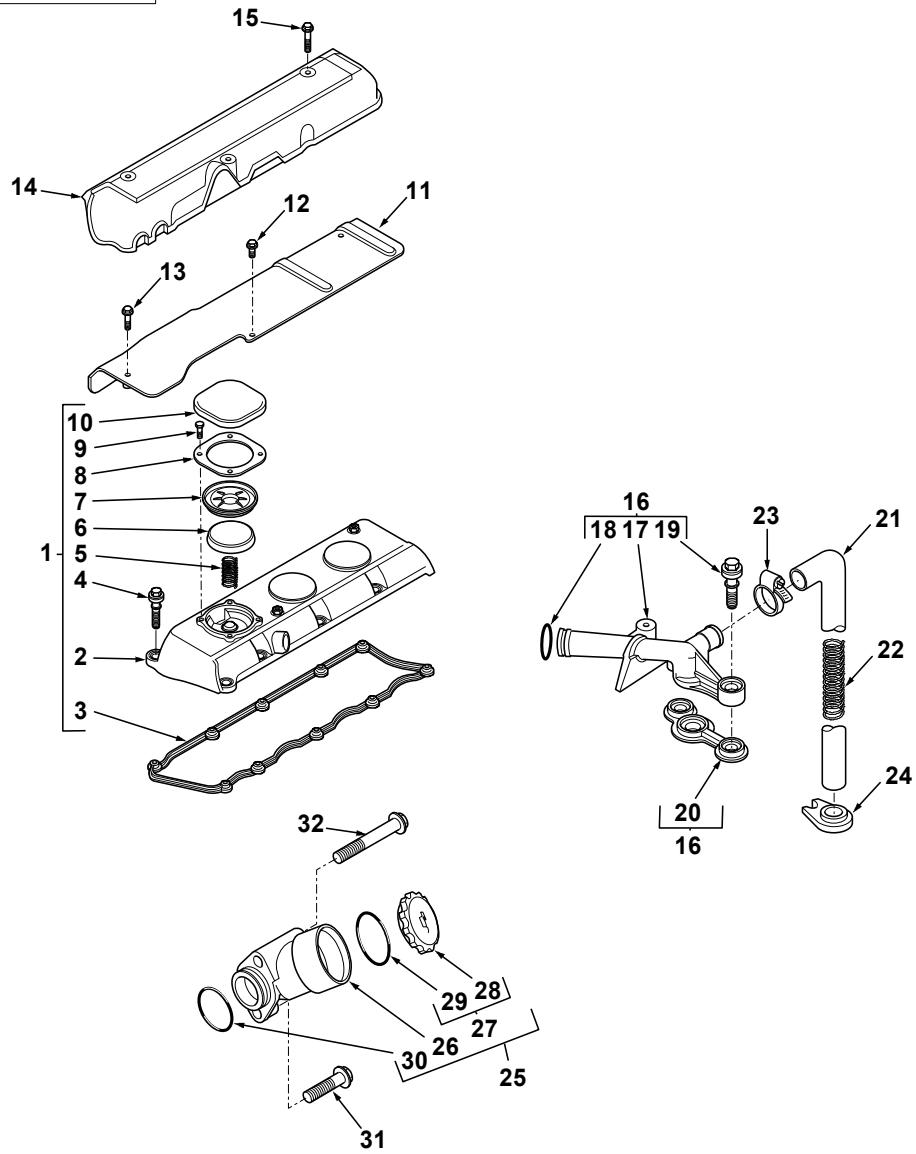




Item	Part No.	Qty.	English	French	German	Spanish	Remarks
1	3141D222	1	Camshaft	Arbre A Cames	Nockenwelle	Árbol De Levas	
2	3716C461	1	Case - Timing Gear	Carter	Gehäuse	Cárter	
3	3617V016	1	Joint - Timing Case	Articulation	Verbindung, Gelenk	Articulación	
4	3617V015	1	Joint - Timing Case	Articulation	Verbindung, Gelenk	Articulación	
5	2314H003	8	Hex Bolt - M8 X 20	Goupille	Bolzen	Tornillo	
6	2418F436	1	Oil Seal - Timing Cover	Joint D´Arbre	Wellendichtring	Anillo, Estanqueidad	
7	2314H034	4	Screw	Vis	Schraube	Tornillo	
8	2314J606	1	Camshaft Bolt	Vis	Schraube	Tornillo	
9	3112X011	1	Washer - Thrust	Rondelle De Butée	Druckscheibe	Arandela De Tope	
10	3117N001	1	Gear - Camshaft	Pignon	Zahnrad	Piñón	
11	0500012	1	Key - Woodruff	Clavette Demi-Lune	Scheibenfeder	Chaveta Media-Luna	
12	3321A003	1	Washer	Rondelle	Scheibe	Arandela	
13	2116053	1	Dowel	Plot	Zylinderstift	Peón	
14	2314J010	3	Screw	Vis	Schraube	Tornillo	
15	3241H009	1	Plate	Plaque	Platte	Placa	
16	3117N042	1	Gear - Idler	Ensemble D'engrenage	Zahnradgetriebe Kpl.	Engranaje, Conj.	
17	#GEAR	1	Gear	Gear	Gear	Gear	Ref. 16
18	0050345	2	Bush	Douille	Buechse	Juego De Anillos	
19	33426161	1	Hub	Moyeu	Nabe	Cubo	
20	4142A501	1	Kit - Front Cover	Jeu Couvercle	Deckel Satz	Tapa, Conj.	
21	#COVER	1	Cover	Cover	Cover	Cover	Ref. 20
22	3681P046	1	Joint - Timing Case Cover	Articulation	Verbindung, Gelenk	Articulación	
23	2314H002	10	Screw	Vis	Schraube	Tornillo	
24	2314H012	5	Screw	Vis	Schraube	Tornillo	



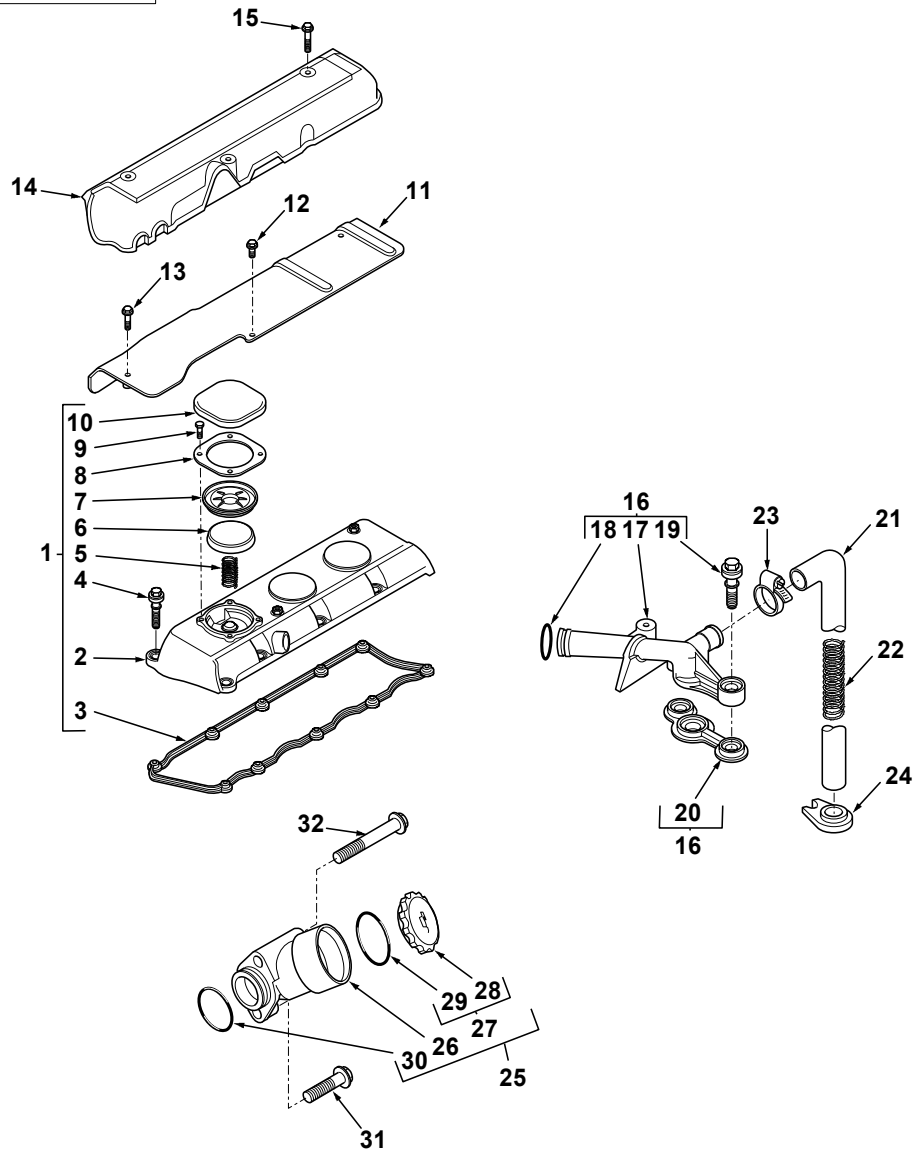
C-21012-07.1-A



Item	Part No.	Qty.	English	French	German	Spanish	Remarks
1	4142X294	1	Cover- Cylinder Head	Cache	Abdeckung	Tapa, Conj.	
2	#COVER	1	Cover	Cache	Cover	Cover	Ref. 1
3	3681A055	1	Joint - Rocker Cover	Joint	Dichtring	Junta	
4	2161A011	10	Screw	Vis	Schraube	Tornillo	
5	3174A017	1	Spring	Siège De Ressort	Federsitz	Muelle	
6	3788A002	1	Filler Cap	Capuchon	Wetterkappe	Sombbrero	
7	3789A001	1	Diaphragm	Diaphragme	Membran	Diafragma	
8	3615A009	1	Plate - Cover	Plaque De Fermeture	Verschlussplatte	Placa De Cierre	
9	2151A001	4	Screw	Vis	Schraube	Tornillo	
10	3788A003	1	Cap	Capuchon	Wetterkappe	Sombbrero	
11	3812A026	1	Heatshield	Garant Thermique	Hitzeschutz	Pantalla Térmica	
12	2314F001	2	Screw	Vis	Schraube	Tornillo	
13	2314F006	1	Screw	Vis	Schraube	Tornillo	
14	3788N005	1	Cover	Cache	Abdeckung	Tapa	
15	2314F005	3	Screw (Pack Of 10)	Vis	Schraube	Tornillo	
16	4134K015	1	Thermostat Housing	Tuyau Reni*ard	Entlufteleitg	Ventil. Cáster, Conj.	
17	#BREATHER	1	Breather	Breather	Breather	Breather	Ref. 16
18	2415A068	1	O - Ring	Joint Torique	O-Ring	Junta De Tipo O	
19	2161A011	2	Screw	Vis	Schraube	Tornillo	
20	3688A038	1	Joint	Joint Plat	Dichtung	Articulación	
21	33872632	1	Hose	Flexible	Schlauch	Tubo Flexible	
22	3175P003	1	Spring, Eng. Breather Hose Reinf.	Siège De Ressort	Federsitz	Muelle	
23	2481877	1	Hose Clip	Bride Pour Tutaux	Schlauchschelle	Argolla De Cierre	
24	36241123	1	Support Bracket	Patte Fixation	Halter	Pata De Fijación	
25	4134C043	1	Lubricating Oil Filler	Rempliss.Huile	Einfüllstutzen	Rellenador	
26	#FILLER	1	Filler	Filler	Filler	Filler	Ref. 25
27	4142X098	1	Oil Filler Cap Assy	Capuchon	Wetterkappe	Casco	
28	#CAP	1	Cap	Chapeau	Kappe	Tapa	Ref. 27
29	2415633	1	Seal - Cap	Joint Torique	O-Ring	Junta De Tipo O	
30	2415B148	1	O - Ring	Joint Torique	O-Ring	Junta De Tipo O	



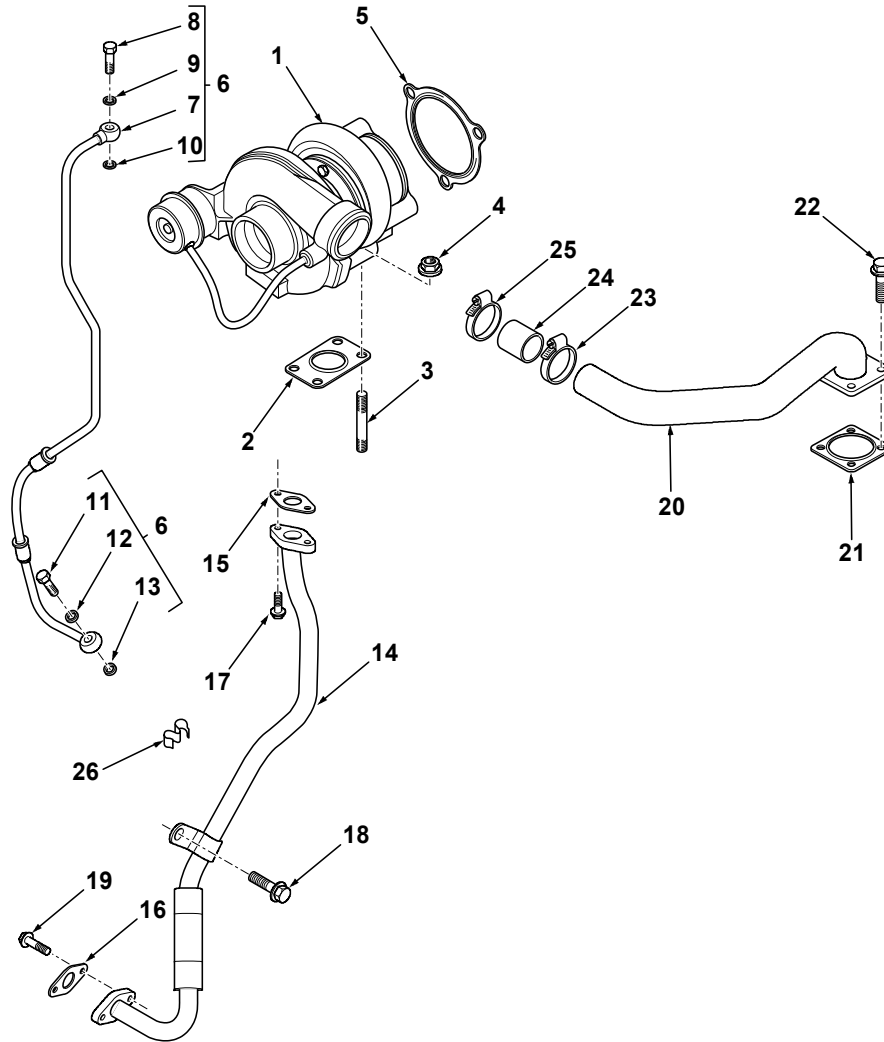
C-21012-07.1-A



<b>Item</b>	<b>Part No.</b>	<b>Qty.</b>	<b>English</b>	<b>French</b>	<b>German</b>	<b>Spanish</b>	<b>Remarks</b>
31	2314H005	1	Screw	Vis	Schraube	Tornillo	
32	2314K161	1	Screw	Vis	Schraube	Tornillo	



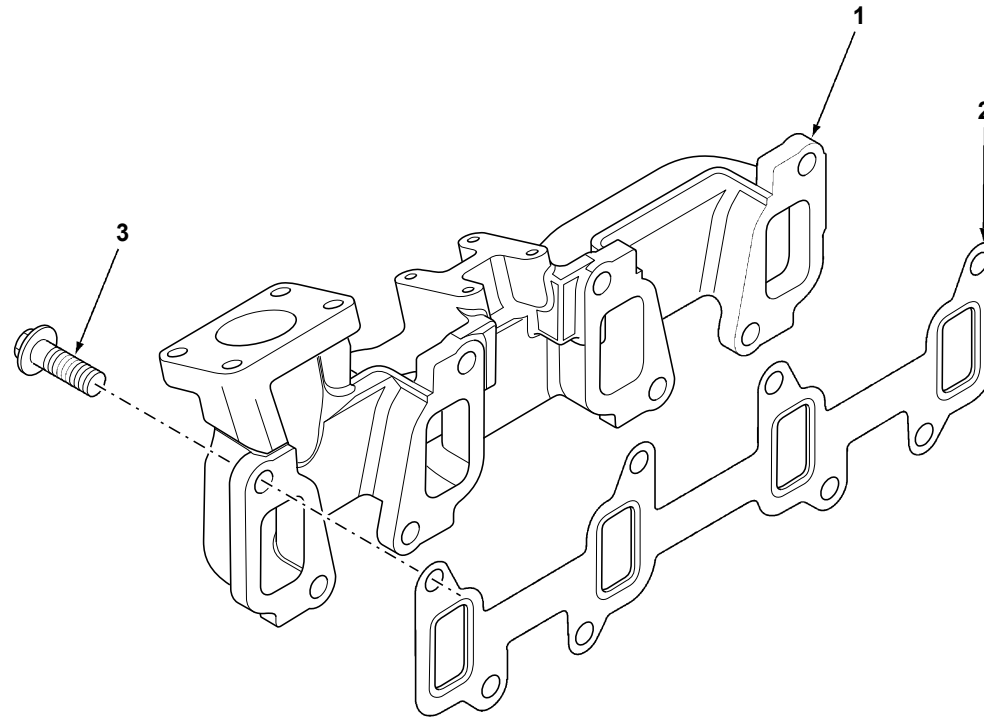
C-21012-08.1-A



Item	Part No.	Qty.	English	French	German	Spanish	Remarks
1	2674A226	1	Turbocharger	Turbocompresseur	Turbolader	Turbocompresor, Conj.	
2	3688A029	1	Joint - Turbo To Manifold	Joint	Dichtung	Articulación	
3	3254K013	4	Stud	Goujon	Stehbolzen	Espárrago	
4	2318A634	4	M10 X 1.5 Full Nut Grd 8 Phosphate	Ecrou	Mutter	Tuerca	
5	3688A034	1	Joint - Elbow	Joint Plat	Dichtung	Articulación	
6	4128A029	1	Pipe Assy	Tuyo	Leitung, Kpl.	Tubo, Conj.	
7	#PIPE	1	Pipe	Pipe	Pipe	Pipe	Ref. 6
8	3218R036	1	Bolt - Banjo	Raccord Banjo	Hohlschraube	Perno De Banjo	
9	2131A506	1	Washer	Rondelle	Scheibe	Arandela	
10	2131A506	1	Washer	Rondelle	Scheibe	Arandela	
11	3218R036	1	Bolt - Banjo	Raccord Banjo	Hohlschraube	Perno De Banjo	
12	2131A506	1	Washer	Rondelle	Scheibe	Arandela	
13	2131A506	1	Washer	Rondelle	Scheibe	Arandela	
14	3584A003	1	Pipe Assy	Tuyo	Leitung, Kpl.	Tubo, Conj.	
15	3688A035	1	Joint	Joint Plat	Dichtung	Articulación	
16	3688A036	1	Joint	Joint Plat	Dichtung	Articulación	
17	2314F004	2	Bolt	Boulon	Schraube	Perno	
18	2314J029	1	Screw	Vis	Schraube	Tornillo	
19	2314H003	2	Hex Bolt - M8 X 20	Goupille	Bolzen	Tornillo	
20	3571C072	1	Pipe	Tuyau	Rohr	Tubo, Conj.	
21	3688A037	1	Gasket	Joint Plat	Dichtung	Articulación	
22	2314H033	4	Screw	Vis	Schraube	Tornillo	
23	2481D073	1	Clip - Hose	Collier Durit	Schlauchschelle	Clip	
24	3383A027	1	Hose	Flexible	Schlauch	Tubo Flexible	
25	2481D073	1	Clip - Hose	Collier Durit	Schlauchschelle	Clip	
26	2481D314	1	Clip	Clip	Klips	Clip	



C-21012-09.1-A

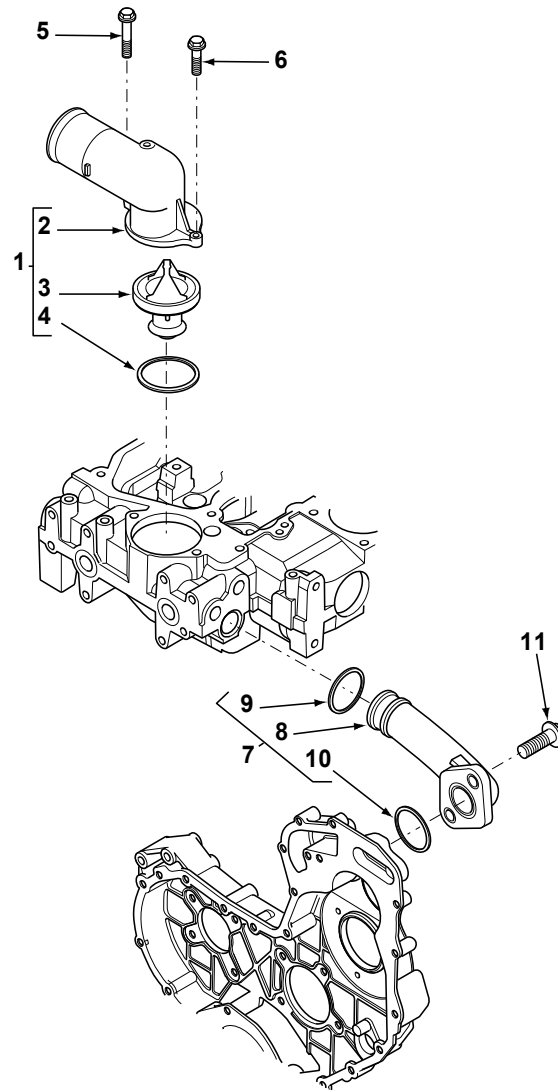




<b>Item</b>	<b>Part No.</b>	<b>Qty.</b>	<b>English</b>	<b>French</b>	<b>German</b>	<b>Spanish</b>	<b>Remarks</b>
1	3778E221	1	Manifold - Exhaust	Collecteur	Krümmer	Colector	
2	3681V512	1	Joint - Exhaust Manifold	Joint	Dichtring	Junta	
3	3218J013	8	Screw	Vis	Schraube	Tornillo	



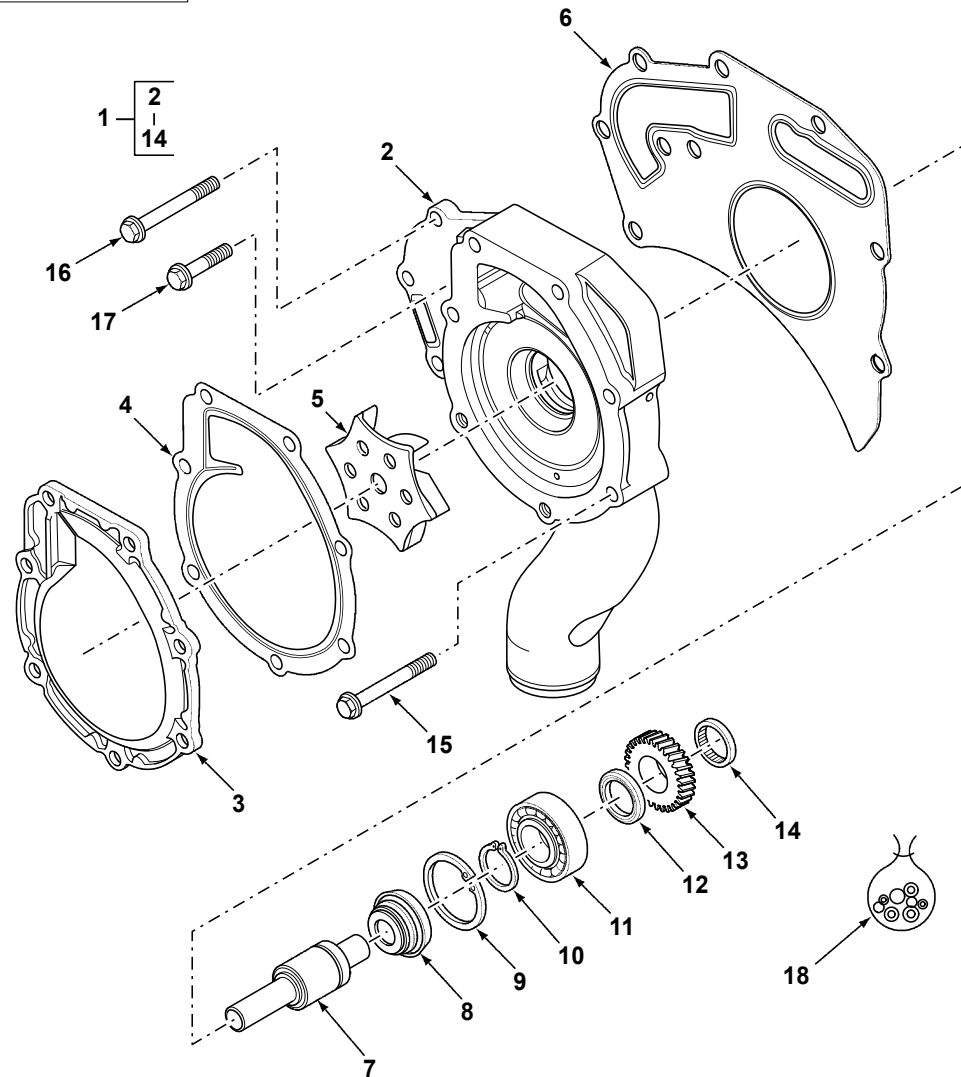
C-21012-10.1-A



Item	Part No.	Qty.	English	French	German	Spanish	Remarks
1	4133L503	1	Manifold Assy	Connexion	Krummer Kpl.	Colector, Conj.	
2	#PIPE	1	Pipe	Pipe	Pipe	Pipe	Ref. 1
3	2485C041P	1	Thermostat	Thermostat	Thermostat	Termostato	
4	2415H008	1	O - Ring	Joint Torique	O-Ring	Junta De Tipo O	
5	2314H012	1	Screw	Vis	Schraube	Tornillo	
6	2314H004	1	Screw	Vis	Schraube	Tornillo	
7	4133L048	1	Connection	Borne	Doppelnippel	Conexión, Conj.	
8	#PIPE	1	Pipe	Pipe	Pipe	Pipe	Ref. 7
9	2418F002	1	O - Ring	Joint Torique	O-Ring	Junta De Tipo O	
10	2418F001	1	O - Ring	Joint Torique	O-Ring	Junta De Tipo O	
11	2314H003	2	Hex Bolt - M8 X 20	Goupille	Bolzen	Tornillo	

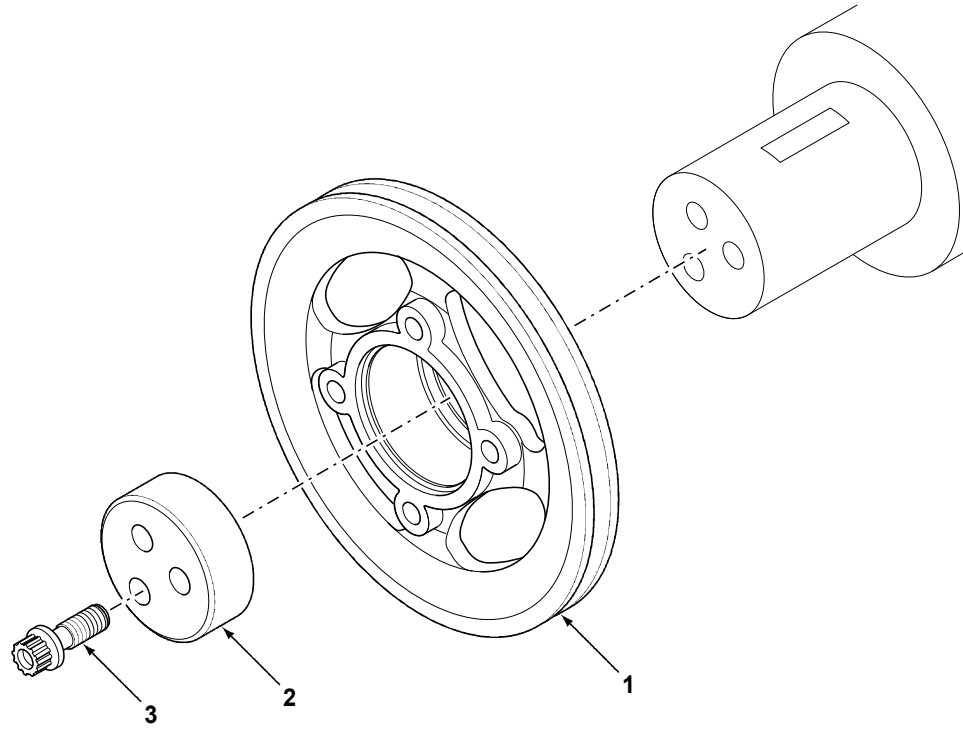


C-21012-11.1-A



Item	Part No.	Qty.	English	French	German	Spanish	Remarks
1	U5MW0194	1	Kit - Water Pump	Jeu Pompe À Eau	Wasserpumpensatz	Bomba De Agua	
2	#BODY	1	Body	Body	Body	Body	Ref. 1
3	#COVER	1	Cover	Cover	Cover	Cover	Ref. 1
4	#GASKET	1	Gasket	Gasket	Gasket	Gasket	
5	#TURBINE	1	Turbine	Turbine	Turbine	Turbine	
6	3682A011	1	Joint - Water Pump	Joint Plat	Dichtung	Articulación	
7	#SHAFT	1	Shaft	Shaft	Shaft	Shaft	
8	#SEAL	1	Seal	Joint Étanchéité	Dichtring	Retén	
9	#CLIP	1	Clip	Clip	Clip	Clip	
10	#CLIP	1	Clip	Clip	Clip	Clip	
11	#BEARING	1	Bearing	Bearing	Bearing	Bearing	
12	#SEAL	1	Seal	Joint Étanchéité	Dichtring	Retén	
13	24880232	1	Gear - Water Pump	Pignon Pompe Eau	Zahnrad,Wapu	Piñón	
14	#BEARING	1	Bearing	Bearing	Bearing	Bearing	
15	2314H012	5	Screw	Vis	Schraube	Tornillo	
16	2314K164	2	Screw	Vis	Schraube	Tornillo	
17	2314H005	2	Screw	Vis	Schraube	Tornillo	
18	U7LW0172	1	Kit - Water Pump Repair	Jeu Pompe À Eau	Wasserpumpensatz	Juego De Servicio	

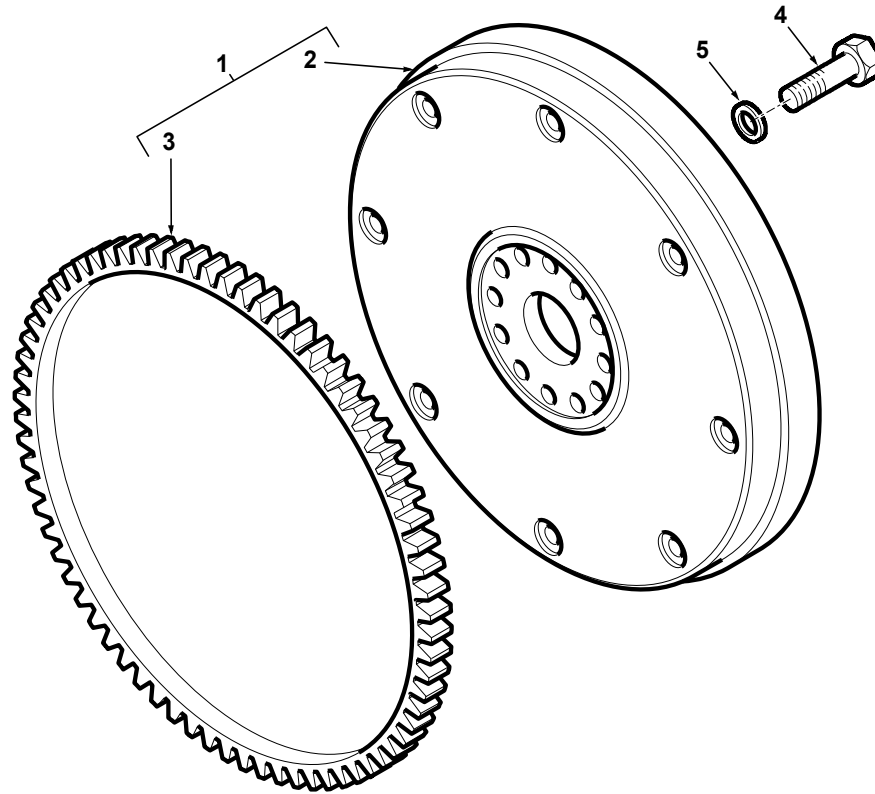
C-21012-12.1-A



<b>Item</b>	<b>Part No.</b>	<b>Qty.</b>	<b>English</b>	<b>French</b>	<b>German</b>	<b>Spanish</b>	<b>Remarks</b>
1	3114P061	1	Pulley - Crankshaft	Poulie Vilebreq.	R Scheibe,Kuwe	Polea	
2	3241N001	1	Block	Bloc	Block	Tope	
3	32186137	3	Bolt - Crankshaft	Goupille	Bolzen	Perno	



C-21012-13.1-A

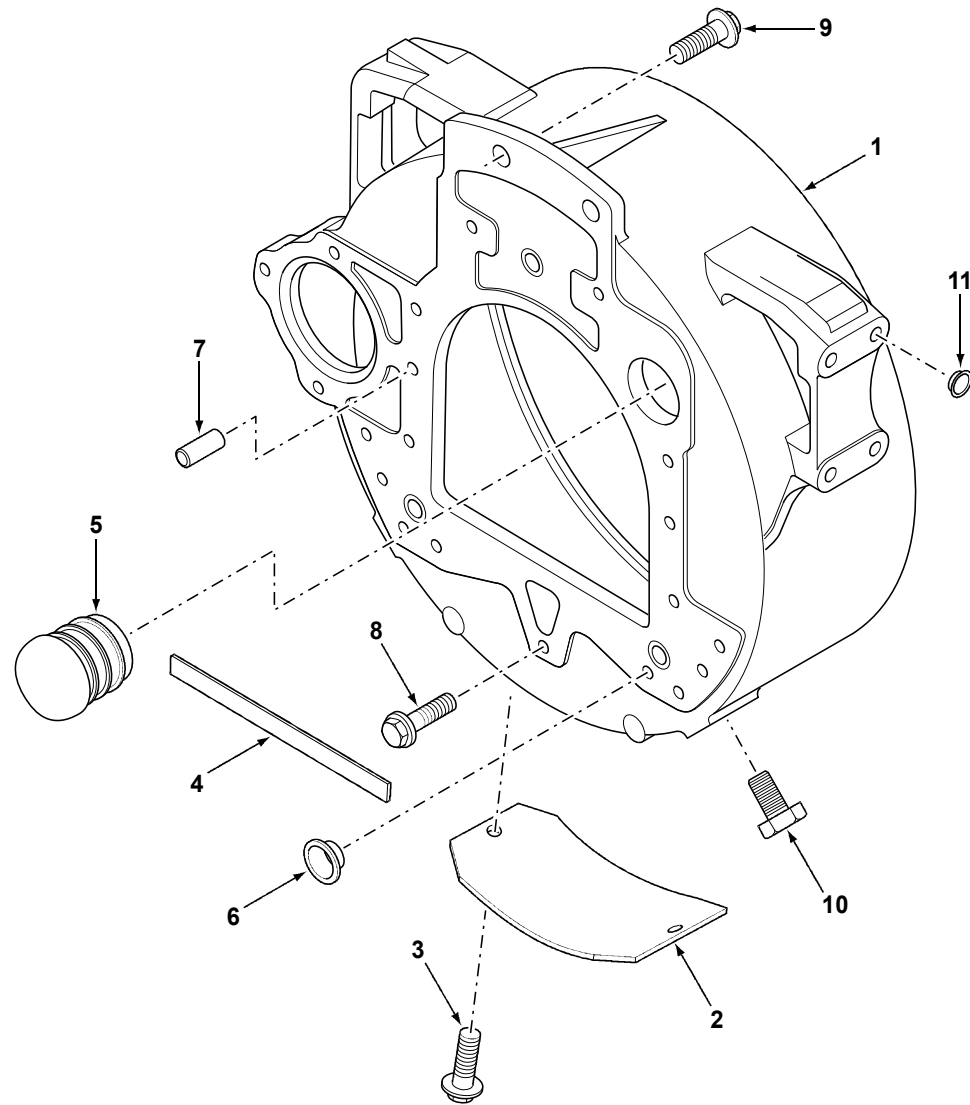




<b>Item</b>	<b>Part No.</b>	<b>Qty.</b>	<b>English</b>	<b>French</b>	<b>German</b>	<b>Spanish</b>	<b>Remarks</b>
1	4111D127	1	Flywheel Assembly	Volant Moteur	Schwungrad Kpl	Volante Motor	
2	#FLYWHEEL	1	Flywheel	Flywheel	Flywheel	Flywheel	Ref. 1
3	31162121	1	Gear - Starter Ring	Roue Dentee	Zahnrad	Cambio	
4	0746853	6	Screw	Vis	Schraube	Tornillo	
5	33117127	6	Washer	Rondelle	Scheibe	Arandela	



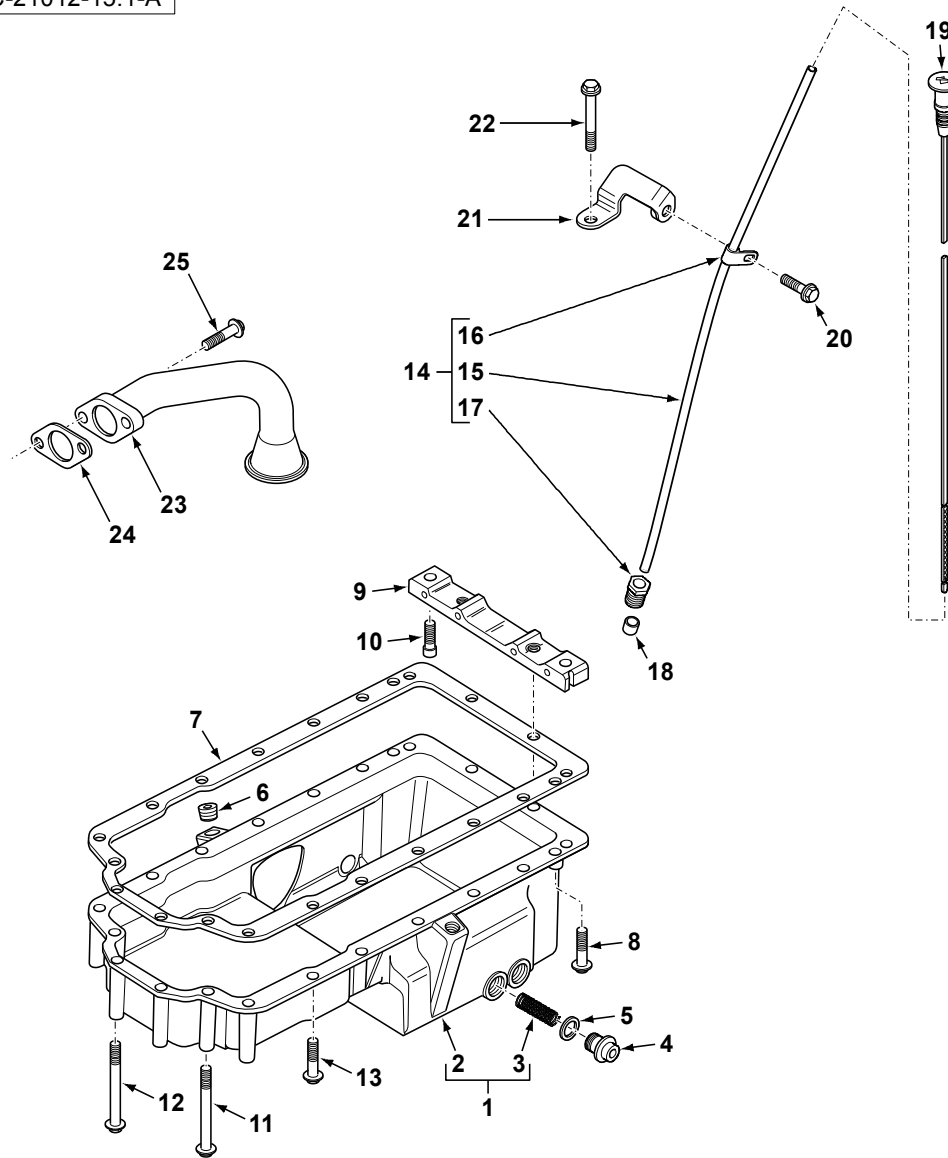
C-21012-14.1-A



Item	Part No.	Qty.	English	French	German	Spanish	Remarks
1	3713M049	1	Housing - Flywheel	Carter De Volant	Schwungradgeh	Cárter	
2	36212132	1	Plate	Plaque	Platte	Placa	
3	2314H102	2	Screw	Vis	Schraube	Tornillo	
4	36843154	1	Seal	Joint D ´Arbre	Wellendichtring	Junta	
5	2487A452	1	Plug - Blanking	Obturateur	Verschlussstopfen	Tapón De Bloqueo	
6	2487204	3	Plug	Bouchon	Stopfen	Tapón	
7	0350025	2	Dowel	Plot	Zylinderstift	Peon	
8	2314J204	6	Screw	Vis	Schraube	Tornillo	
9	2314J603	2	Screw	Vis	Schraube	Tornillo	
10	2487Y005	2	Plug	Bouchon	Stopfen	Tapón	
11	2487207	10	Plug	Bouchon	Stopfen	Tapón	



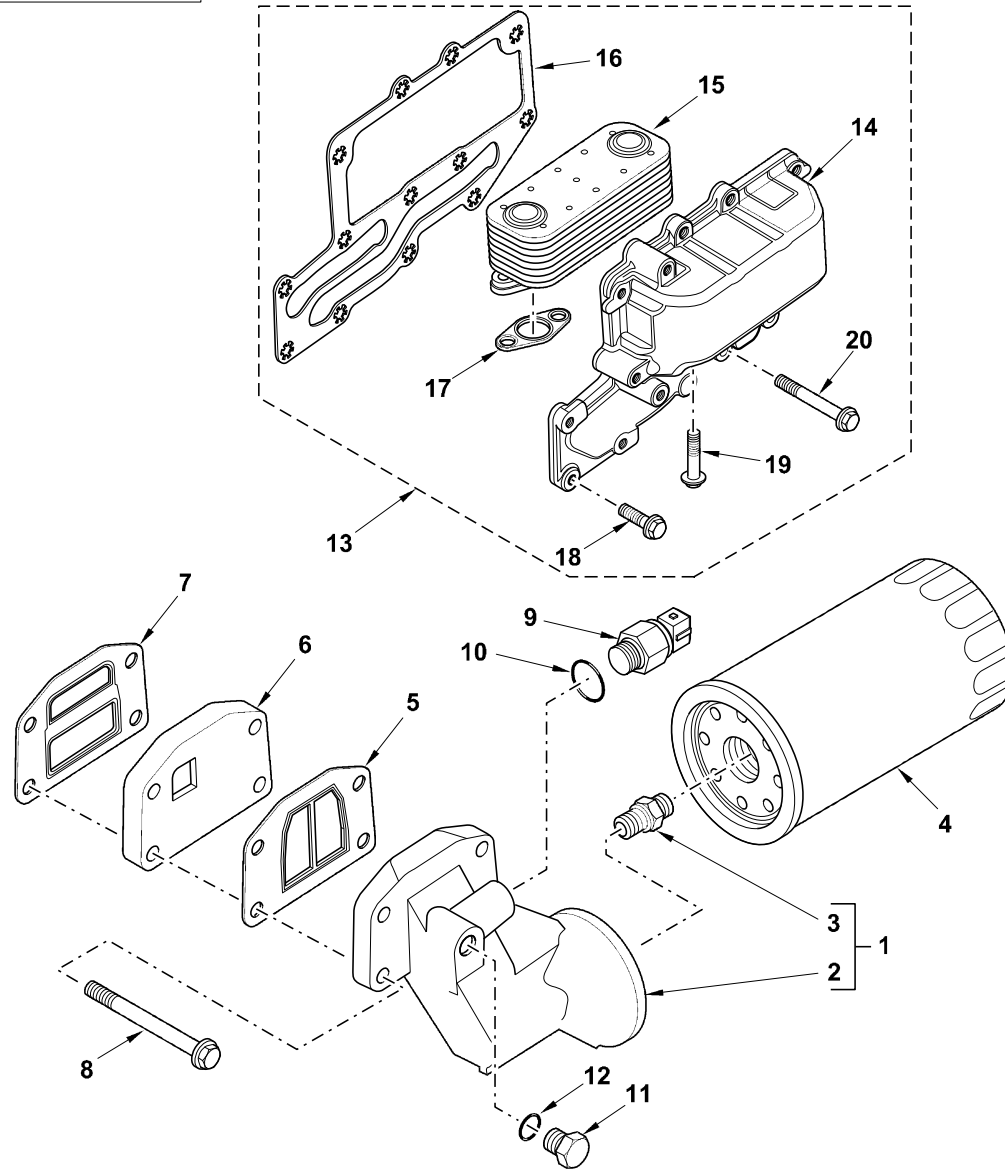
C-21012-15.1-A



Item	Part No.	Qty.	English	French	German	Spanish	Remarks
1	4145H091	1	Sump	Carter À Huile	Ölwanne	Cárter De Aceite	
2	#PAN, OIL	1	Pan, Oil	Pan, Oil	Pan, Oil	Pan, Oil	Ref. 1
3	2137435	2	Insert	Siège De Ressort	Federsitz	Muelle	
4	32186405	2	Plug - Oil Drain	Bouchon	Stopfen	Tapón	
5	2415715	2	O-Ring - Sump Plug	Joint Torique	O-Ring	Junta De Tipo O	
6	2431A016	1	Plug	Bouchon	Stopfen	Tapón	
7	3681K037	1	Joint - Sump	Joint	Dichtring	Junta	
8	2314H033	2	Screw	Vis	Schraube	Tornillo	
9	3627P041	1	Bridge Piece	Pontet	Traverse	Placa	
10	2311D039	2	Screw	Vis	Schraube	Tornillo	
11	2314K166	2	Screw	Vis	Schraube	Tornillo	
12	2314K166	4	Screw	Vis	Schraube	Tornillo	
13	2314H003	12	Hex Bolt - M8 X 20	Goupille	Bolzen	Tornillo	
14	4126A081	1	Tube - Dipstick	Tube	Rohrleitung	Conjunto De Tubería	
15	#TUBE	1	Tube	Tube	Tube	Tube	Ref. 14
16	0180170	1	Clip	Clip	Klips	Argolla De Fijacion	
17	3353D005	1	Nut	Ecrou	Mutter	Tuerca	
18	33812116	1	Olive, Dipstick Tube	Ori•ce	Blende	Ori•cio	
19	3178C169	1	Dipstick	Jauge	Meßstab	Calibre De Aceite	
20	2314F002	1	Screw	Vis	Schraube	Tornillo	
21	3733A009	1	Bracket	Patte Fixation	Halter	Pata De Fijación	
22	2314F909	1	Screw	Vis	Schraube	Tornillo	
23	3575A061	1	Pipe - Suction	Ensemble Tuyauterie	Rohr Kpl.	Tube, Conj.	
24	36832137	1	Joint, Turbo Lub. Oil Drain Pipe	Articulation	Dichtring	Articulación	
25	2314H004	2	Screw	Vis	Schraube	Tornillo	



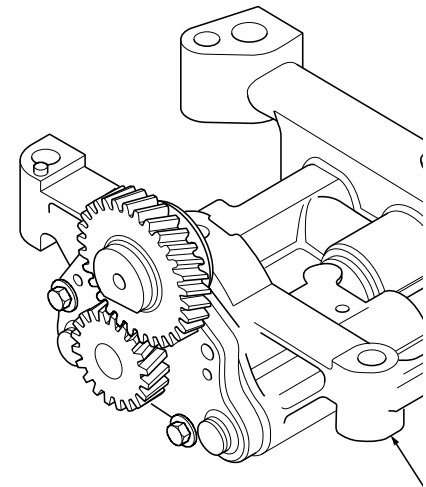
C-21012-16.1-B



Item	Part No.	Qty.	English	French	German	Spanish	Remarks
1	4134E057	1	Oil Filter Head	Ensemble De Tête	Kopf Kpl.	Cabeza, Conj.	
2	#HEAD	1	Head	Head	Head	Head	Ref. 1
3	33554128	1	Connection	Connexion	Verbindung	Racor	
4	2654407	1	Canister-Engine Oil Filter	Filtre	Filter	Filtro	
5	3688A041	1	Joint	Joint Plat	Dichtung	Articulación	
6	3773A081	1	Adaptor	Adaptateur	Reduziernippel	Adaptador	
7	3688A039	1	Joint	Joint Plat	Dichtung	Articulación	
8	2314H038	4	Screw	Vis	Schraube	Tornillo	
9	2848A071	1	Oil Pressure Switch	Pressostat D'huile	Oeldruckschalter	Interruptor	
10	2415H002	1	O - Ring	Joint Torique	O-Ring	Junta De Tipo O	
11	3278A007	1	Plug	Bouchon	Stopfen	Tapón	
12	2415H009	1	O - Ring	Joint Torique	O-Ring	Junta De Tipo O	
13	4134W001	1	Oil Cooler	Refroidisseur A Huil	Oelkuhler	Aceite Conjunto Enfr.	
14	#BODY	1	Body	Body	Body	Body	Ref. 13
15	2486A217	1	Oil Cooler	Refroidisseur A Huil	Oelkuhler	Radiador De Aceite	
16	3685A024	1	Joint	Joint Plat	Dichtung	Articulación	
17	3685A025	2	Joint	Joint Plat	Dichtung	Junta	
18	2314H004	10	Screw	Vis	Schraube	Tornillo	
19	2314H006	4	Screw	Goupille	Bolzen	Tornillo	
20	2314K161	3	Screw	Vis	Schraube	Tornillo	



C-21012-17.1-A

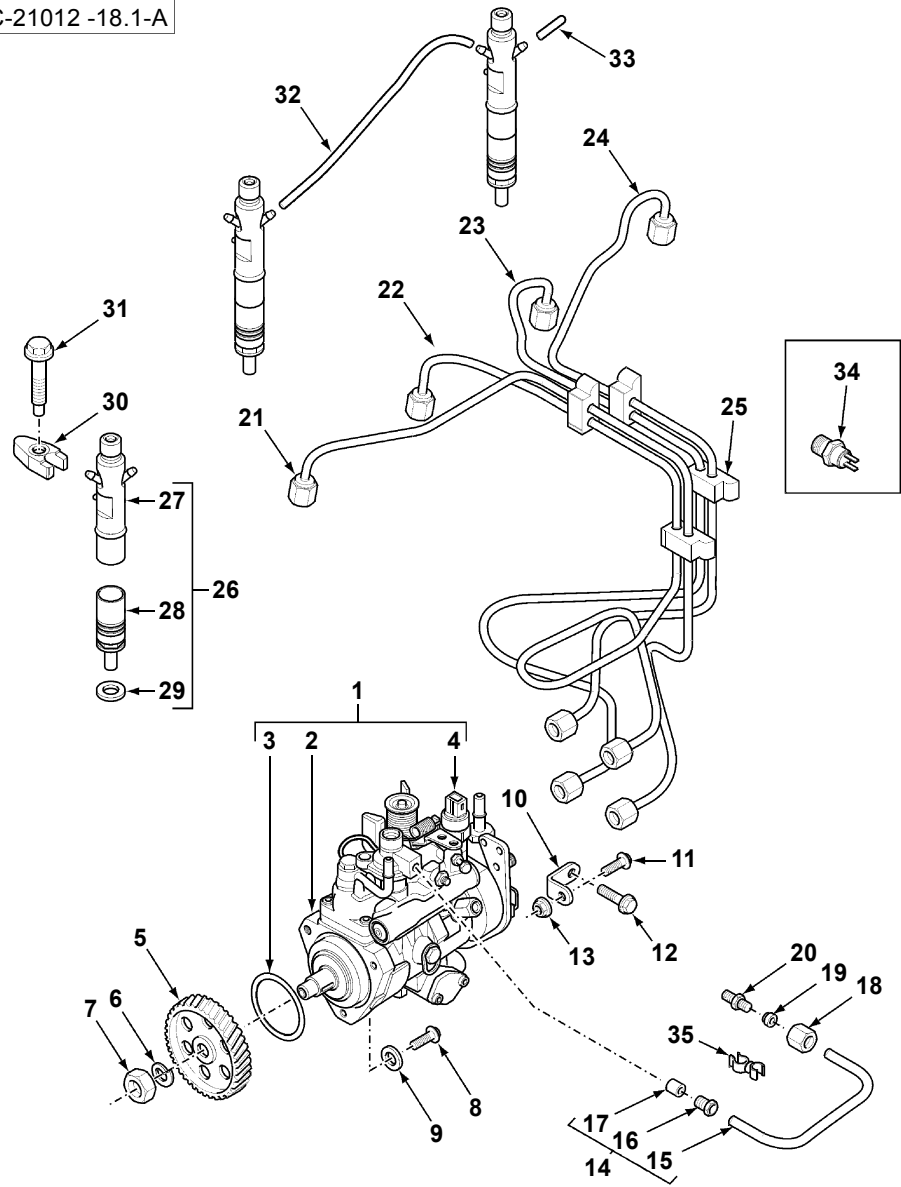




<b>Item</b>	<b>Part No.</b>	<b>Qty.</b>	<b>English</b>	<b>French</b>	<b>German</b>	<b>Spanish</b>	<b>Remarks</b>
1	4132F071	1	Pump - Oil	Pompe À Huile	Motorölpumpe	Bomba De Aceite	
2	2314J008	5	Screw	Vis	Schraube	Tornillo	



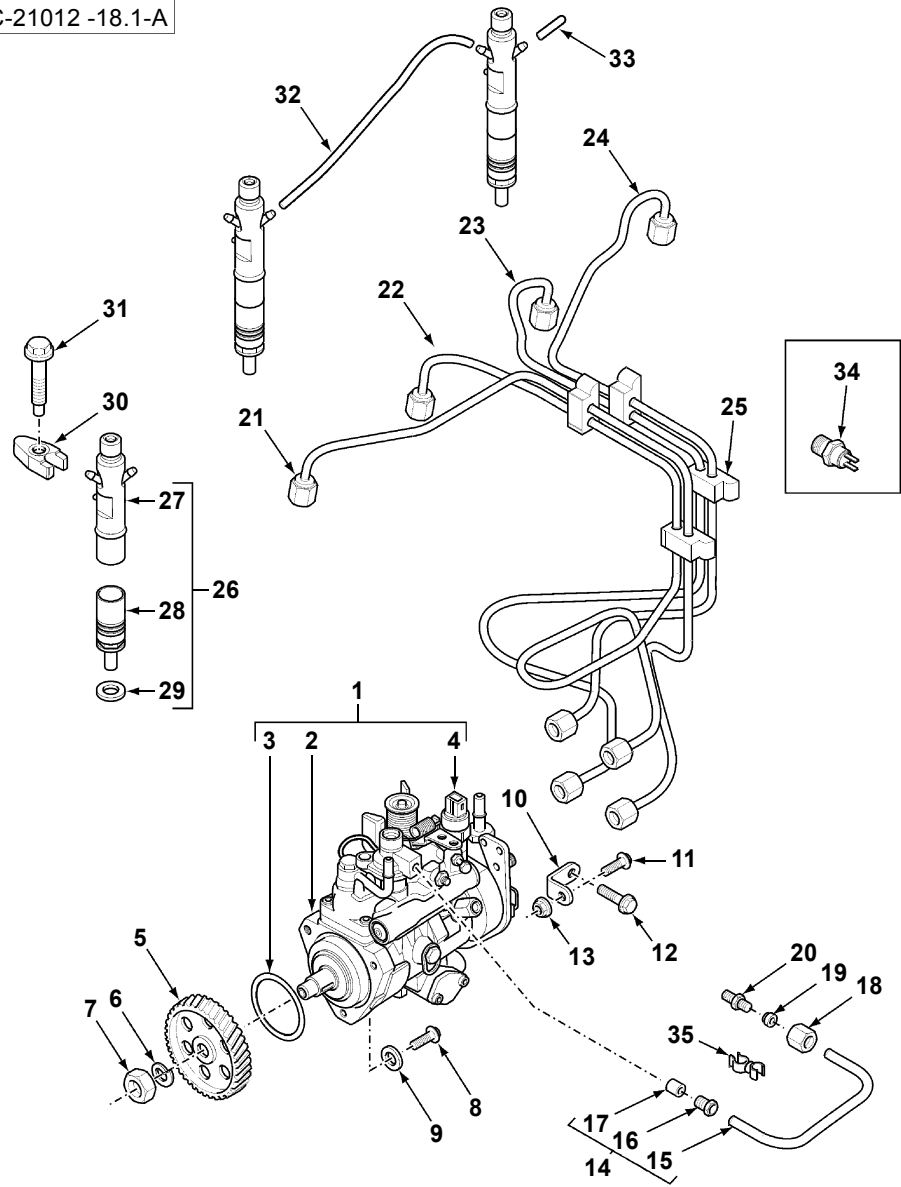
C-21012 -18.1-A



Item	Part No.	Qty.	English	French	German	Spanish	Remarks
1	2644H003	1	Pump - Fuel Injection	Pompe Injection	Einspritzpumpe	Bomba Inyectora	
2	#PUMP	1	Pump	Pump	Pump	Pump	Ref. 1
3	26420318	1	O-Ring	Joint Torique	O-Ring	Junta De Tipo O	
4	26420469	1	Solenoid - Fuel Cut-Off	Solenoide	Solenoide	Solenoide	
5	3117L261	1	Gear - Injection Pump	Pignon	Zahnrad	Piñón	
6	K134AF01	1	Washer	Rondelle	Scheibe	Arandela De Freno	
7	2318A108	1	Nut	Ecrou	Mutter	Tuerca	
8	2314H004	3	Screw	Vis	Schraube	Tornillo	
9	2411D008	3	Washer	Rondelle	Scheibe	Arandela	
10	3641A007	1	Bracket	Patte Fixation	Halter	Pata De Fijación	
11	2314H003	1	Hex Bolt - M8 X 20	Goupille	Bolzen	Tornillo	
12	2314J002	1	Screw	Vis	Schraube	Tornillo	
13	2318A603	1	Nut (Pack Of 10)	Ecrou	Mutter	Tuerca	
14	4121A058	1	Pipe - Boost Control	Ensemble Tuyauterie	Rohr Kpl.	Tubo, Conj.	
15	#PIPE	1	Pipe	Pipe	Pipe	Pipe	Ref. 14
16	3353D004	1	Nut - Union	Ecrou Raccord	Anschlussmutter	Tuerca	
17	33811112	1	Olive - Fuel Pipe	Ori•ce	Blende	Ori•cio	
18	0576111	1	Nut	Ecrou	Mutter	Tuerca	
19	0566002	1	Olive	Olive	Schneidring	Ori•cio	
20	0206002	1	Union	Union	Schraubanschluss	Union	
21	3525A061	1	Pipe - Fuel Injection No.1	Tuyau Injection	Einspritzleitung	Tubo	
22	3525A062	1	Pipe - Fuel Injection No.2	Tuyau Injection	Einspritzleitung	Tubo	
23	3525A063	1	Pipe - Fuel Injection No.3	Tuyau Injection	Einspritzleitung	Tubo	
24	3525A064	1	Pipe - Fuel Injection No.4	Tuyau Injection	Einspritzleitung	Tubo	
25	2646E017	1	Clip	Clip	Befestigungsschelle	Brida De Fijación	
26	2645K011	4	Atomiser	Injecteur	Zerstäuber	Inyector, Conj.	
27	#HOLDER	1	Holder	Holder	Holder	Holder	Ref. 26
28	2645K611	1	Nozzle	Gicleur Injection	Düse	Surtidor De Inyección	
29	L311FF02	1	Seal - Fuel Inj. Nozzle	Rondelle	Scheibe	Arandela	
30	3751A241	4	Clamp - Injector	Collier De Serrage	Klemme	Argolla De Cierre	



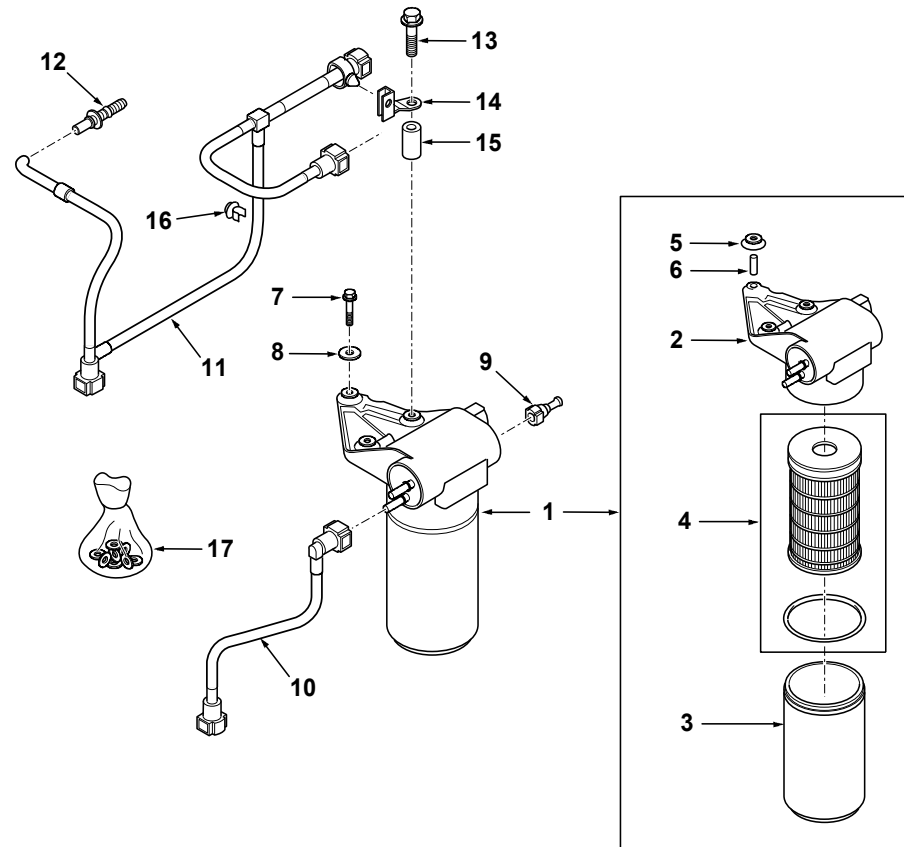
C-21012 -18.1-A



Item	Part No.	Qty.	English	French	German	Spanish	Remarks
31	2314W009	4	Screw	Vis	Schraube	Tornillo	
32	2646F501	3	Hose - Flexible	Flexible	Schlauch	Tubo Flexible	
33	2646E501	1	Cap	Capuchon	Wetterkappe	Sombbrero	
34	2848A127	1	Sender Unit	Capteur De Temperature	Temperaturgeber	Emisor	
35	K138AF02	1	Clip	Clip	Klips	Clip	

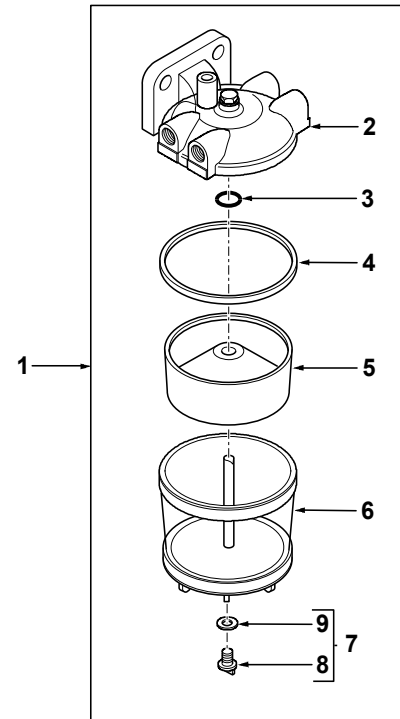
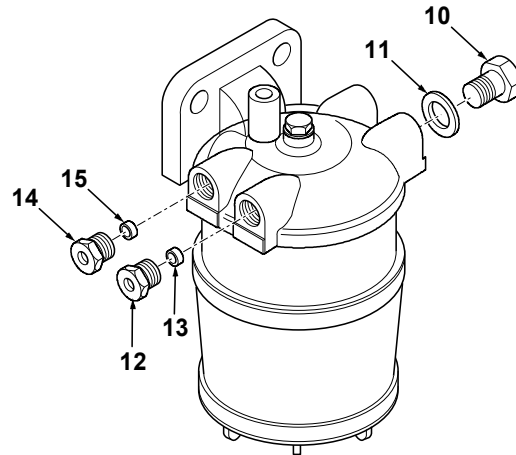


C-21012-19.1-A



Item	Part No.	Qty.	English	French	German	Spanish	Remarks
1	4132A008	1	Pump, Fuel Lift - Incl. Fuel Filter Use 4132a018	Pompe Carburant	Kraftstoffpumpe	Bomba De Combustible	
2	#HEAD	1	Head	Head	Head	Head	Ref. 1
3	#BASE	1	Base	Base	Base	Base	Ref. 1
4	26560201	1	Element - Filter Engine Fuel *S*	Cartouche Filtrante	Filterpatrone	Elemento De Filtro	
5	#MOUNT	3	Mount	Mount	Mount	Mount	
6	#SPACER	3	Spacer	Spacer	Spacer	Spacer	
7	2314F909	3	Screw	Vis	Schraube	Tornillo	
8	2131A507	3	Washer	Rondelle	Scheibe	Arandela	
9	3763A046	1	Connector	Borne	Doppelnippel	Conector	
10	2646F001	1	Pipe - Fuel Feed	Ensemble Tuyauterie	Rohr Kpl.	Tubo, Conj.	
11	2646F002	1	Pipe - Fuel Feed	Tuyau Carburant	Kraftstleitung	Tubo, Conj.	
12	3763A045	1	Connection	Borne	Doppelnippel	Conector	
13	2314H008	1	Screw	Vis	Schraube	Tornillo	
14	3733A008	1	Bracket	Patte Fixation	Halter	Pata De Fijación	
15	3313A006	1	Spacer	Entretoise	Distanzstück	Traviesa	
16	2481D456	1	Clip	Clip	Klips	Clip	
17	U5MK1017	1	Kit - Service	Kit D'Entretien	Reparatursatz	Juego De Servicio	

C-21012-20.1-A

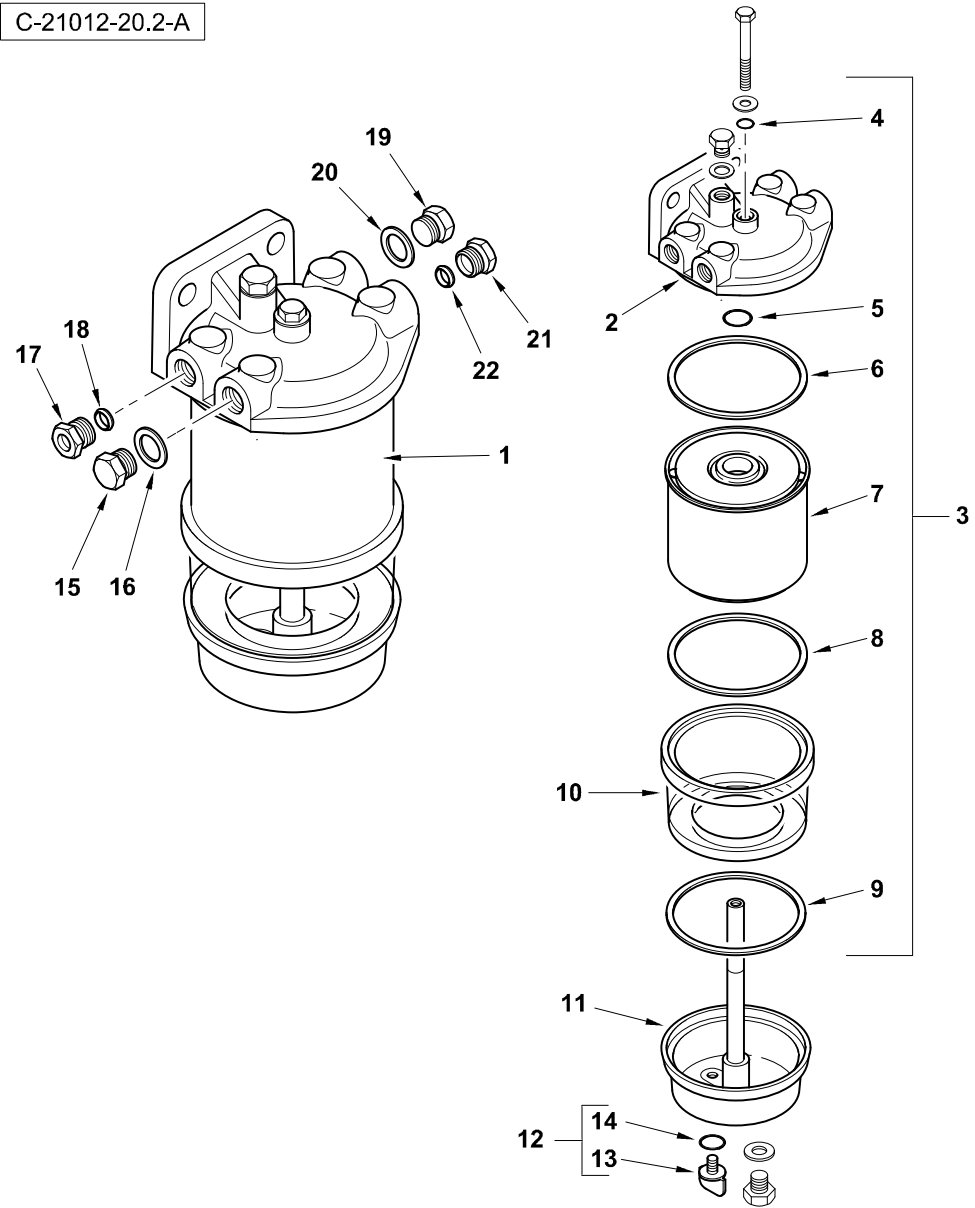




Item	Part No.	Qty.	English	French	German	Spanish	Remarks
1	2656086	1	Pre-Filter - Fuel	Filtre	Filter	Filtro	
2	#HEAD	1	Head	Head	Head	Head	Ref. 1
3	26560016	1	Washer	Rondelle	Scheibe	Arandela	
4	0490786	2	Seal - Fuel Filter	Joint	Dichtung	Junta	
5	26560156	1	Body And Cone Assy. - Fuel Pre-Filter	Séparateur	Dreschwerk, Abscheider	Separador	
6	26560075	1	Container	Reservoir	Schauglas	Deposito	
7	26560614	1	Screw & O Ring - Fuel Filter Bowl	Bouchon	Stopfen	Tapón	
8	#PLUG	1	Plug	Plug	Plug	Plug	Ref. 7
9	26431192	1	Washer	Rondelle	Scheibe	Arandela	
10	0650204	2	Plug	Bouchon	Stopfen	Tapon	
11	0920154	2	Washer	Rondelle	Scheibe	Arandela	
12	33532129	1	Nut	Ecrou	Mutter	Tuerca De Tubería	
13	0566004	1	Olive	Olive	Schneidring	Oliva	
14	33532129	1	Nut	Ecrou	Mutter	Tuerca De Tubería	
15	0566004	1	Olive	Olive	Schneidring	Oliva	



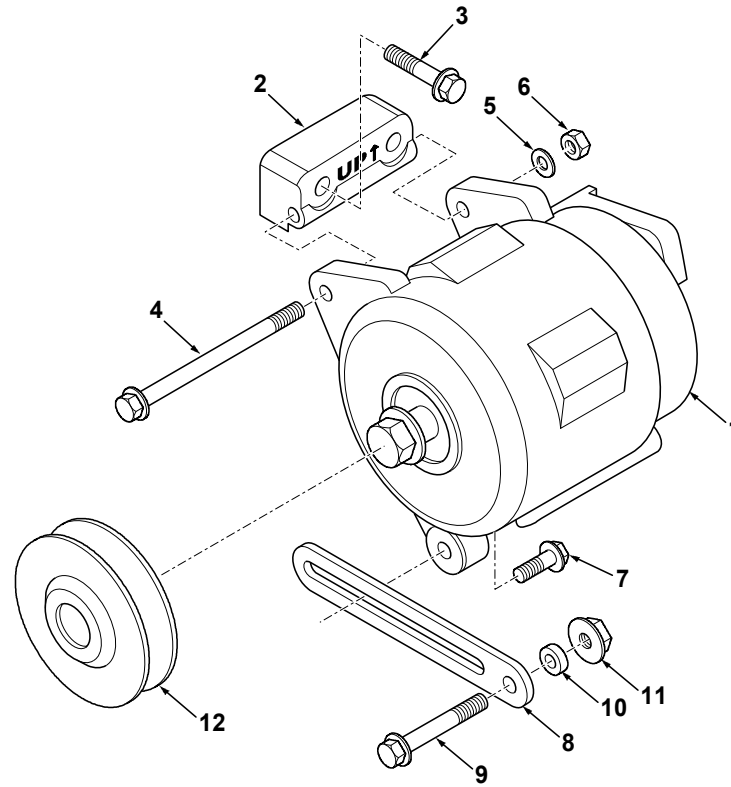
C-21012-20.2-A



Item	Part No.	Qty.	English	French	German	Spanish	Remarks
1	2656F823	1	Filter - Fuel	Filtre A Combustible	Kraftstoff-Filter	Filtro De Combustible	
2	#HEAD, FILTER	1	Head, Filter	Head, Filter	Head, Filter	Head, Filter	Ref. 1
3	26550005	1	Fuel/Water Separator	Filtre	Filter	Filtro	
4	#O-RING	1	O-Ring	Joint Torique	O-Ring	Junta Tórica	Ref. 3
5	#O-RING	1	O-Ring	Joint Torique	O-Ring	Junta Tórica	Ref. 3
6	#O-RING	1	O-Ring	Joint Torique	O-Ring	Junta Tórica	Ref. 3
7	#ELEMENT	1	Element	Element	Element	Element	Ref. 3
8	#O-RING	1	O-Ring	Joint Torique	O-Ring	Junta Tórica	Ref. 3
9	#O-RING	1	O-Ring	Joint Torique	O-Ring	Junta Tórica	Ref. 3
10	26560181	1	Bowl - Glass	Cuve	Wanne	Cuba	
11	#BASE	1	Base	Base	Base	Base	Ref. 1
12	26560614	1	Screw & O Ring - Fuel Filter Bowl	Bouchon	Stopfen	Tapón	
13	#PLUG	1	Plug	Plug	Plug	Plug	
14	26431192	1	Washer	Rondelle	Scheibe	Arandela	
15	0650204	1	Plug	Bouchon	Stopfen	Tapon	
16	2411D013	1	Washer	Rondelle	Unterlegscheibe	Arandela	
17	33532129	1	Nut	Ecrou	Mutter	Tuerca De Tubería	
18	0566004	1	Olive	Olive	Schneidring	Oliva	
19	0650204	1	Plug	Bouchon	Stopfen	Tapon	
20	2411D013	1	Washer	Rondelle	Unterlegscheibe	Arandela	
21	33532129	1	Nut	Ecrou	Mutter	Tuerca De Tubería	
22	0566004	1	Olive	Olive	Schneidring	Oliva	



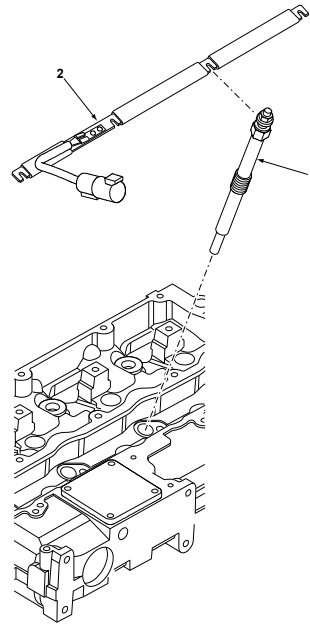
C-21012-21.1-A



Item	Part No.	Qty.	English	French	German	Spanish	Remarks
1	2871A302	1	Alternator Use 2871a307	Alternateur Triphase	Drehstromlichtmaschi	Alternador, Conj.	
2	3824A071	1	Bracket - Alternator	Patte Fixation	Halter	Pata De Fijación	
3	2314J007	2	Screw	Vis	Schraube	Tornillo	
4	2314H052	1	Screw	Vis	Schraube	Tornillo	
5	2131A008	1	Washer	Rondelle	Scheibe	Arandela	
6	2318D208	1	Nut	Ecrou	Mutter	Tuerca	
7	2314H103	1	Screw	Vis	Schraube	Tornillo	
8	36155429	1	Bracket - Alternator Adjusting	Patte Fixation	Halter	Tirante De Ajuste	
9	2314J012	1	Screw	Vis	Schraube	Tornillo	
10	0920465	1	Spacer	Entretoise	Distanzstueck	Traviesa	
11	2318A604	1	Nut	Ecrou	Mutter	Tuerca	
12	3113E031	1	Pulley	Poulie	Riemenscheibe	Polea	



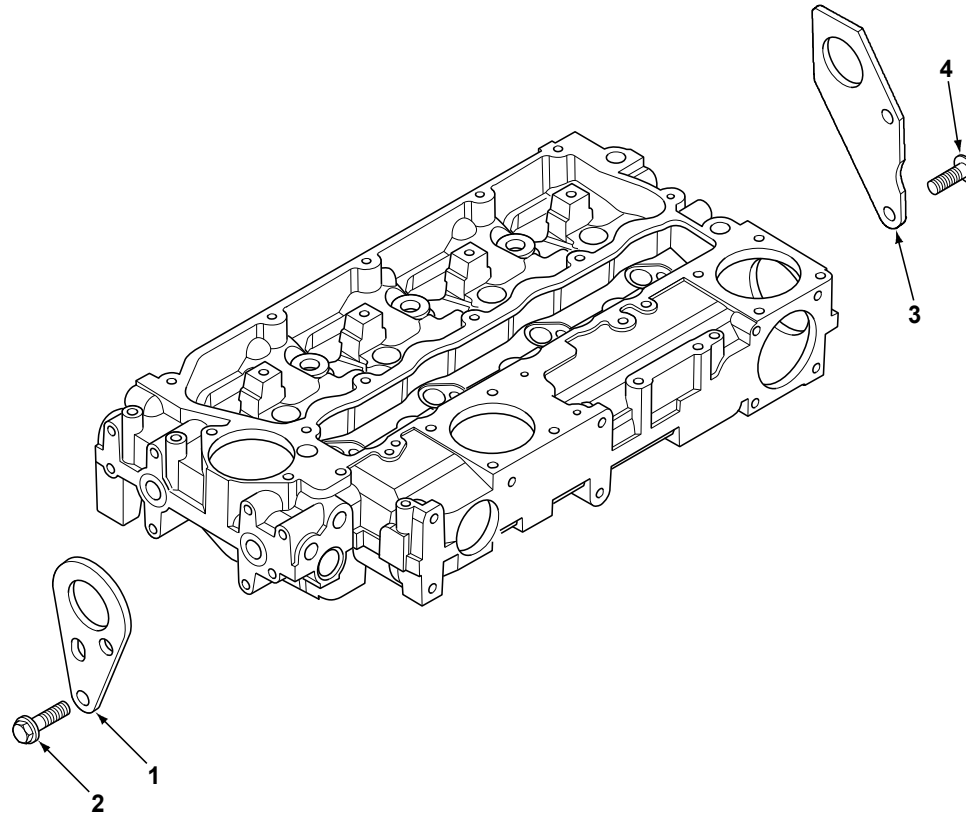
C-21012-22.1-A



<b>Item</b>	<b>Part No.</b>	<b>Qty.</b>	<b>English</b>	<b>French</b>	<b>German</b>	<b>Spanish</b>	<b>Remarks</b>
1	2666A016	4	Plug - Glow	Vis De Fermeture	Verschlusschraube	Enchufe	
2	3161C015	1	Bar	Barre	Stab	Barra	



C-21012-23.1-A

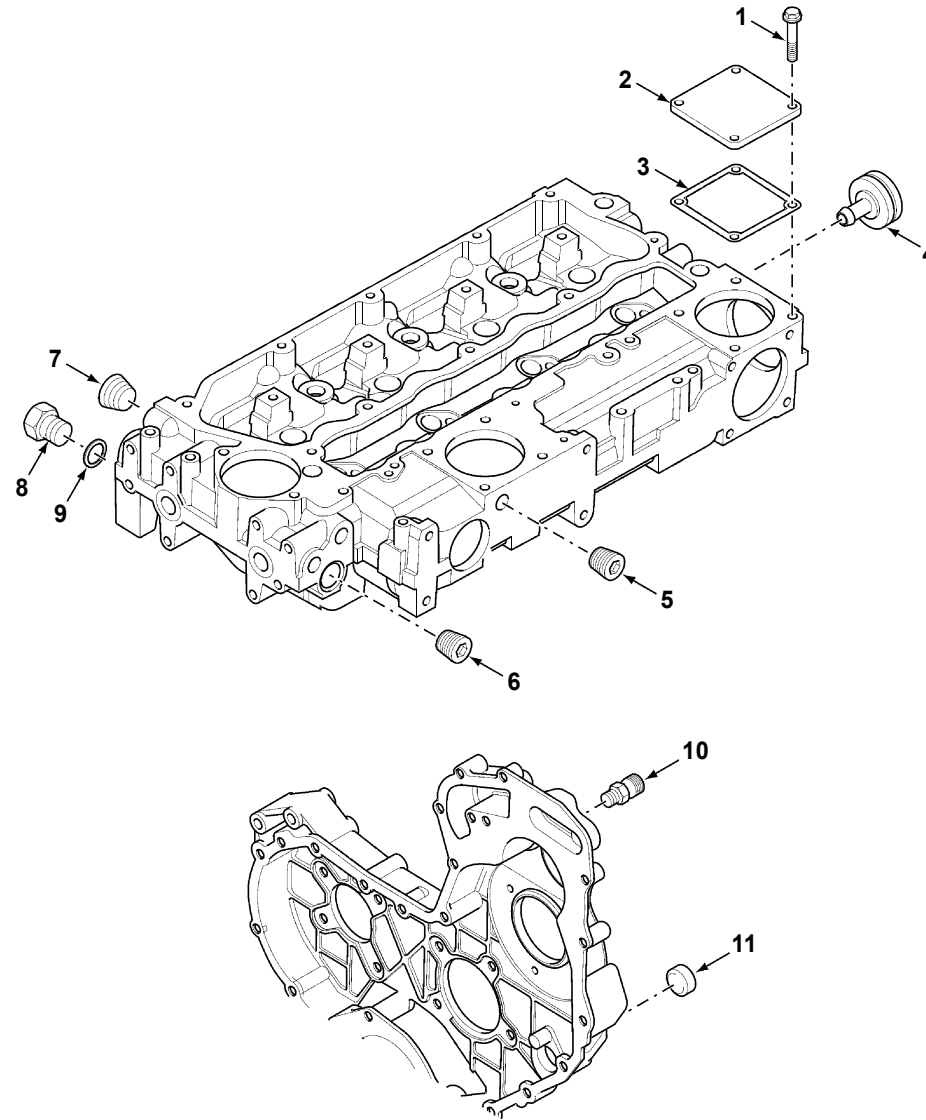




<b>Item</b>	<b>Part No.</b>	<b>Qty.</b>	<b>English</b>	<b>French</b>	<b>German</b>	<b>Spanish</b>	<b>Remarks</b>
1	3617A015	1	Bracket - Lifting	Patte Fixation	Halter	Anillo De Elevación	
2	2314J002	2	Screw	Vis	Schraube	Tornillo	
3	3624A016	1	Bracket - Lifting	Patte Fixation	Halter	Anillo De Elevación	
4	2314J002	2	Screw	Vis	Schraube	Tornillo	



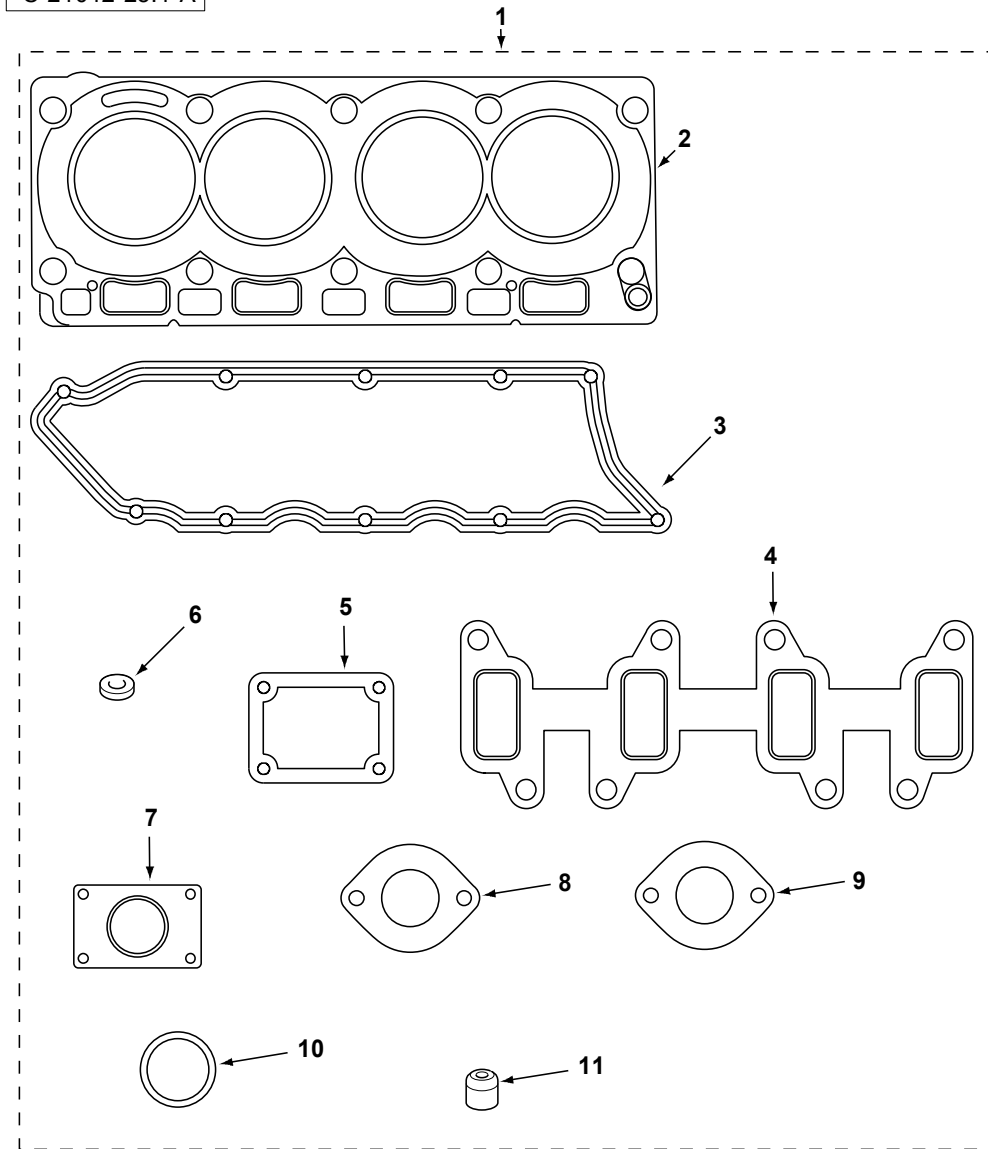
C-21012-24.1-A



Item	Part No.	Qty.	English	French	German	Spanish	Remarks
1	2314H003	12	Hex Bolt - M8 X 20	Goupille	Bolzen	Tornillo	
2	3611M006	3	Plate	Plaque	Platte	Placa	
3	3684N503	3	Joint	Joint Plat	Dichtung	Junta	
4	3347A023	1	Adaptor	Adaptateur	Reduziernippel	Adaptador	
5	2431131	1	Plug	Bouchon	Stopfen	Tapón	
6	2431154	1	Plug	Bouchon	Stopfen	Tapón	
7	2431154	1	Plug	Bouchon	Stopfen	Tapón	
8	3278A006	1	Plug	Bouchon	Stopfen	Tapón	
9	2415H003	1	O - Ring	Joint Torique	O-Ring	Junta De Tipo O	
10	33552414	1	Connector - Heater Water Feed/Return	Connecteur	Steckverbindung	Adaptador	
11	2485A118	1	Plug - Cup	Bouchon Mâle, Obturation	Verschlussstopfen	Tapón De Bloqueo	



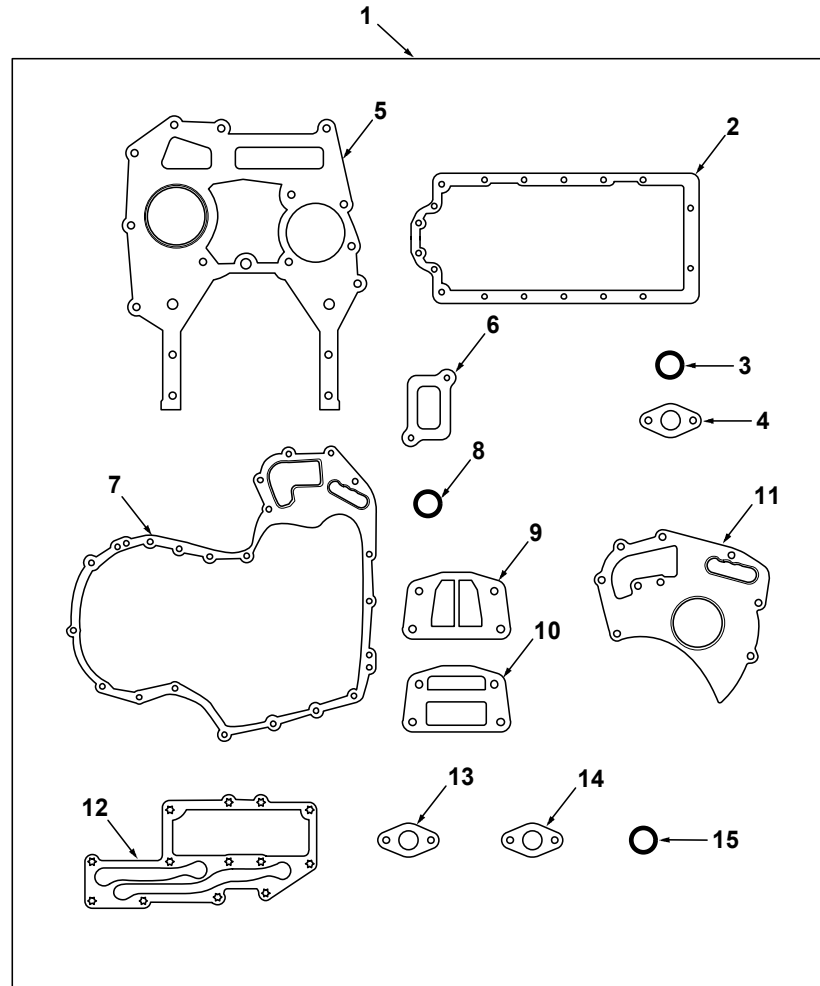
C-21012-25.1-A



Item	Part No.	Qty.	English	French	German	Spanish	Remarks
1	U5LT0350	1	Kit - Top Joint & Gasket	Jeu De Joints	Dichtungs,Satz	Juego Juntas/Empaq.	
2	3681E046	1	Gasket - Cylinder Head	Joint De Culasse	Dichtung, Zylinderko	Junta De Culata	
3	3681A055	1	Joint - Rocker Cover	Joint	Dichtring	Junta	
4	3681V512	1	Joint - Exhaust Manifold	Joint	Dichtring	Junta	
5	3684N503	1	Joint	Joint Plat	Dichtung	Junta	
6	L311FF02	4	Seal - Fuel Inj. Nozzle	Rondelle	Scheibe	Arandela	Injector
7	3688A029	1	Joint - Turbo To Manifold	Joint	Dichtung	Articulación	
8	3688A035	1	Joint	Joint Plat	Dichtung	Articulación	
9	3688A036	1	Joint	Joint Plat	Dichtung	Articulación	
10	2415H008	1	O - Ring	Joint Torique	O-Ring	Junta De Tipo O	
11	2418M514	8	Valve Stem Seal	Jeu Etancheite	Dichtringsatz	Anillo, Estanqueidad	



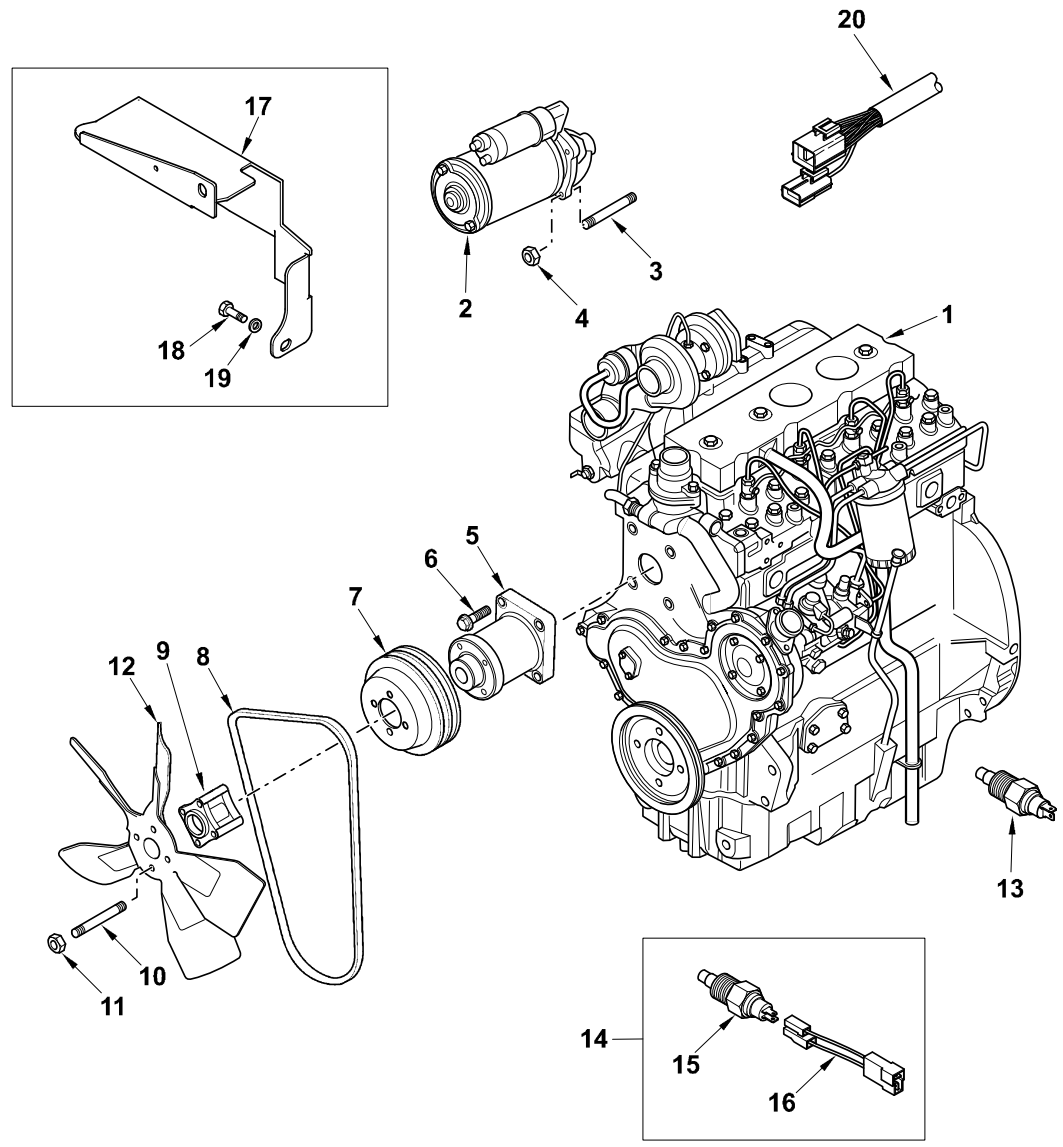
C-21012-26.1-A



Item	Part No.	Qty.	English	French	German	Spanish	Remarks
1	U5LB0376	1	Kit - Bottom Joint And Gasket	U5lb0376	Dichtungssatz	Juego Juntas/Empaq.	
2	3681K037	1	Joint - Sump	Joint	Dichtring	Junta	
3	2415715	1	O-Ring - Sump Plug	Joint Torique	O-Ring	Junta De Tipo O	
4	36832137	1	Joint, Turbo Lub. Oil Drain Pipe	Articulation	Dichtring	Articulación	
5	3617V015	1	Joint - Timing Case	Articulation	Verbindung, Gelenk	Articulación	
6	3617V016	1	Joint - Timing Case	Articulation	Verbindung, Gelenk	Articulación	
7	3681P046	1	Joint - Timing Case Cover	Articulation	Verbindung, Gelenk	Articulación	
8	26420318	1	O-Ring	Joint Torique	O-Ring	Junta De Tipo O	
9	3688A041	1	Joint	Joint Plat	Dichtung	Articulación	
10	3688A039	1	Joint	Joint Plat	Dichtung	Articulación	
11	3682A011	1	Joint - Water Pump	Joint Plat	Dichtung	Articulación	
12	3688A035	1	Joint	Joint Plat	Dichtung	Articulación	
13	3685A024	1	Joint	Joint Plat	Dichtung	Articulación	
14	3685A025	1	Joint	Joint Plat	Dichtung	Junta	
15	2415787	1	O - Ring	Joint Torique	O-Ring	Junta De Tipo O	



C-21013-01.1-E

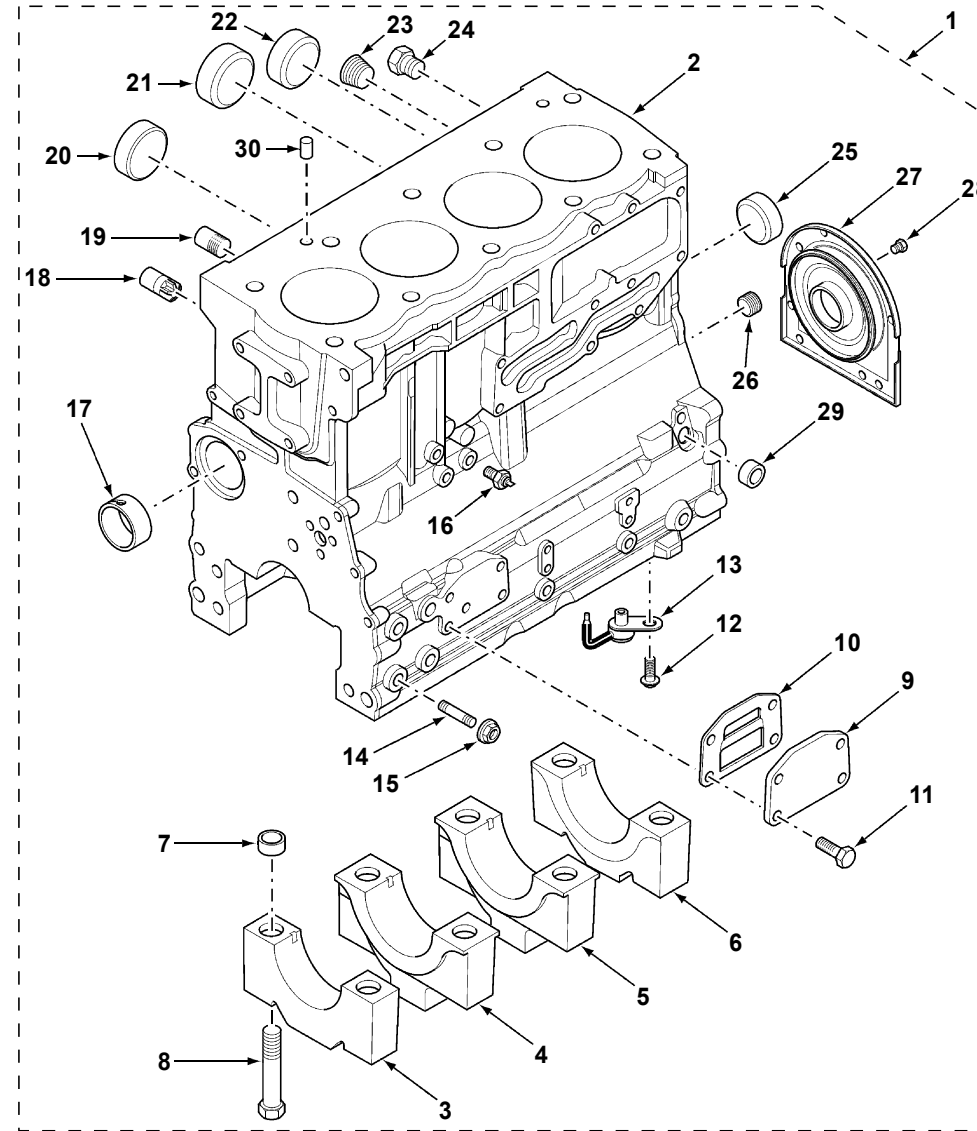




Item	Part No.	Qty.	English	French	German	Spanish	Remarks
1	6109945M91	1	Engine-100hp Green-With Air Con	Ensemble De Moteur Thermique	Dieselmotor Kpl.	Motor Térmico, Conj.	
2	2873K404	1	Starter Motor	Demarreur	Anlasser	Arrancador	
3	2313C078	3	Stud	Goujon	Stehbolzen	Espárrago	
4	2318A604	3	Nut	Ecrou	Mutter	Tuerca	
5	4113K005	1	Housing - Fan Drive	Carter	Gehäuse	Cárter, Conj.	
6	2314J005	4	Bolt	Goupille	Bolzen	Perno	
7	3115C113	1	Pulley - Fan	Poulie Ventil.	Rs, Lüfter	Polea	
8	2614B650	2	Belts - Matched Pair (2)	Courroie	Keilrlüfter	Correa Trapezoidal	
9	3748W223	1	Fan Spacer	Rallonge	Verlängerung	Extensión	
10	2313H229	4	Stud	Goujon	Stehbolzen	Espárrago	
11	2318D208	4	Nut	Ecrou	Mutter	Tuerca	
12	6110111M91	1	Fan 20"	Ventilateur	Lüfter	Ventilador	
13	6110563M91	1	Water Temperature Sender / Switch	Capteur	Sensor	Captador	Ref. 13
14	#KIT, PARTS	1	Kit, Parts	Kit, Parts	Kit, Parts	Kit, Parts	Ref. 14
15	6111886M91	1	Water Temperature Sender/Switch	Capteur	Sensor	Captador	
16	6111830M91	1	Adaptor Harness	Faisceau	Kabelbaum	Haz	
17	6111448M1	1	Plate - De•ector	Dé•ecteur	Abweisblech	De•ector	
18	3009491X1	2	Bolt M10 X 20	Boulon	Maschschraube M10	Tornillo	
19	390734X1	2	Washer M10-21-2 Z	Rondelle - M10	Unterlegscheibe	Arandela	
20	6112296M91	1	Wire Harness	Faisceau Electrique	Kabelbaum	Kabelbaum	Ec06/395



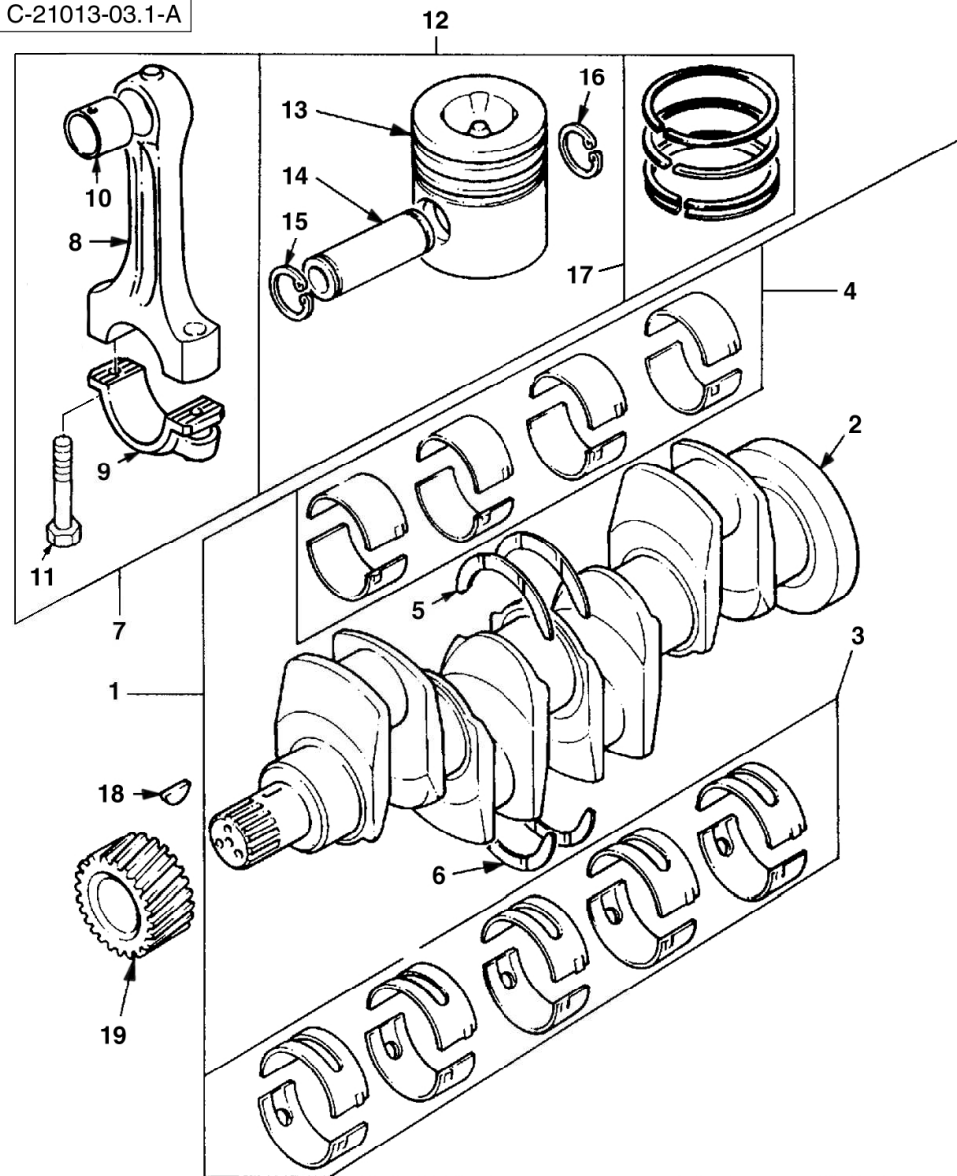
C-21013-02.1-A



Item	Part No.	Qty.	English	French	German	Spanish	Remarks
1	ZZ50311	1	Kit - Cylinder Block	Bloc Cylindres	Motorblock	Bloque Cilindros	
2	#BLOCK, CYLINDER	1	Block, Cylinder	Block, Cylindrer	Block, Cylinder	Block, Cylinder	Ref. 1
3	#BEARING, SUPPORT	1	Bearing, Support	Bearing, Support	Bearing, Support	Bearing, Support	Ref. 1
4	#BEARING, SUPPORT	2	Bearing, Support	Bearing, Support	Bearing, Support	Bearing, Support	Ref. 1
5	#BEARING, SUPPORT	1	Bearing, Support	Bearing, Support	Bearing, Support	Bearing, Support	Ref. 1
6	#BEARING, SUPPORT	1	Bearing, Support	Bearing, Support	Bearing, Support	Bearing, Support	Ref. 1
7	33142111	10	Thimble	Cosse	Muffe	Anillo De Centrado	
8	32166329	10	Screw	Vis	Schraube	Tornillo	
9	3623A009	1	Plate - Blanking	Plaque	Platte	Placa	
10	3688A039	1	Joint	Joint Plat	Dichtung	Articulación	
11	2314H033	4	Screw	Vis	Schraube	Tornillo	
12	2314F001	4	Screw	Vis	Schraube	Tornillo	
13	2113A001	4	Piston : Cooling Jet - Nla	Refroidisseur	Kühler	Enfriador	
14	2313M101	8	Eng/Mt Studs P/Kins 35mm	Goujon	Stehbolzen	Espárrago	
15	2318A605	8	Eng/Mt Nuts	Ecrou	Sechskantmutter	Tuerca	
16	2848062	1	Oil Pressure Switch	Sonde	Messfühler	Sonda	
17	3112D071	1	Bush - Camshaft	Douille	Büchse	Casquillo	
18	3212V006	1	Plug	Bouchon	Stopfen	Tapón	
19	3212V005	1	Plug	Bouchon	Stopfen	Tapón	
20	2485A108	1	Plug - Blanking	Obturateur	Verschlussstopfen	Tapón De Bloqueo	
21	3241A011	2	Plug	Bouchon	Stopfen	Tapón	
22	0650710	1	Core Plug	Bouchon	Stopfen	Tapon	
23	0650588	1	Plug	Bouchon	Stopfen	Tapon	
24	32141316	2	Plug	Bouchon	Stopfen	Tapón	
25	3241A012	1	Plug	Bouchon	Stopfen	Tapón	
26	3212P008	1	Plug	Bouchon	Stopfen	Tapón	
27	2418F704	1	Housing - Rear Oil Seal	Carter	Gehäuse	Cárter	
28	3211C002	10	Bolt - Metric	Goupille	Bolzen	Perno	
29	2485A109	1	Plug	Bouchon	Stopfen	Tapón	
30	3244A009	2	Dowel	Plot	Zylinderstift	Peón	



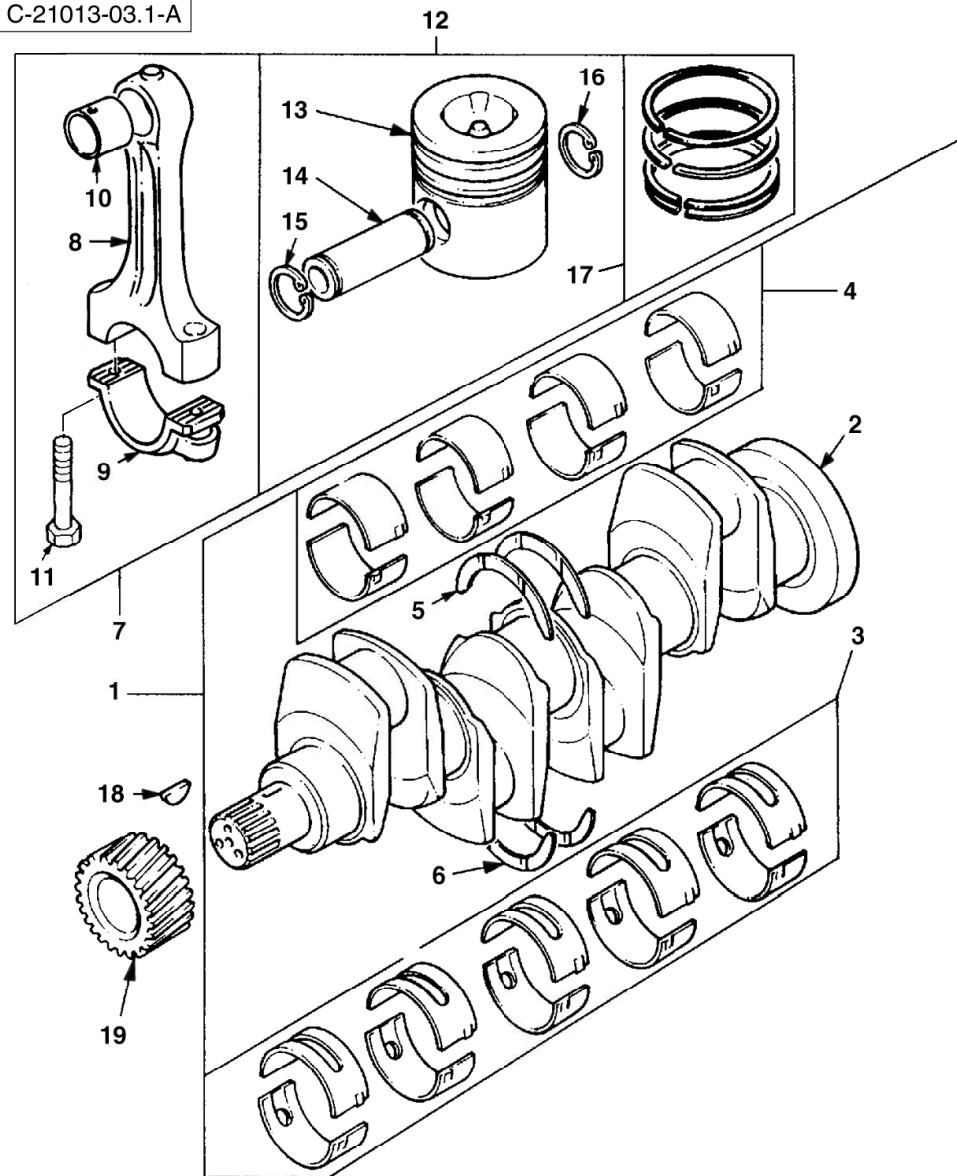
C-21013-03.1-A



Item	Part No.	Qty.	English	French	German	Spanish	Remarks
1	ZZ90222	1	Kit - Crankshaft	Ensemble Vilebrequin	Kurbelwelle Kpl.	Cigüeñal, Conj.	
2	#CRANKSHAFT	1	Crankshaft	Crankshaft	Crankshaft	Crankshaft	Ref. 1
3	U5MB0018C	0	Kit - Main Bearing (+)0.030"	Jeu Coussinets	Lagersatz	Cojinete De Palier	
3	U5MB0018A	0	Kit - Main Bearing (+)0.010"	Jeu Coussinets	Lagersatz	Cojinete De Palier	
3	U5MB0018B	0	Kit - Main Bearing (+)0.020"	Jeu Coussinets	Lagersatz	Cojinete De Palier	
3	U5MB0018	1	Kit - Main Bearing (Standard)	Jeu Coussinets	Lagersatz	Cojinete De Palier	
4	U5ME0013	1	Kit - Big End Bearing (Standard)	Jeu Coussinets	Lagersatz	Cojinete De Biela	
4	U5ME0013A	0	Kit - Big End Bearing (+)0.010"	Jeu Coussinets	Lagersatz	Cojinete De Biela	
4	U5ME0013B	0	Kit - Big End Bearing (+)0.020"	Jeu Coussinets	Lagersatz	Cojinete De Biela	
4	U5ME0013C	0	Kit - Big End Bearing (+)0.030"	Jeu Coussinets	Lagersatz	Cojinete De Biela	
5	31137551	1	Thrust Washer	Rondelle De Butée	Druckscheibe	Calce	
5	31137312	0	Thrust Washer (+) 0.007"	Rondelle De Butée	Druckscheibe	Calce	
6	31137561	1	Washer - Thrust	Rondelle Butee	Druckscheibe	Calce	
6	31137322	0	Thrust Washer (+) 0.007"	Rondelle De Butée	Druckscheibe	Calce	
7	4115C311	4	Conrod Kit - Grade 'f' (Red)	Ensemble De Bielle	Pleuelstange Kpl.	Biela, Conj.	
7	4115C316	4	Conrod Kit - Grade 'l' (Blue)	Ensemble De Bielle	Pleuelstange Kpl.	Biela, Conj.	
7	4115C315	4	Conrod Kit - Grade 'k' (Purple)	Ensemble De Bielle	Pleuelstange Kpl.	Biela, Conj.	
7	4115C314	4	Conrod Kit - Grade 'j' (Green)	Ensemble De Bielle	Pleuelstange Kpl.	Biela, Conj.	
7	4115C313	4	Conrod Kit - Grade 'h' (White)	Ensemble De Bielle	Pleuelstange Kpl.	Biela, Conj.	
7	4115C312	4	Conrod Kit - Grade 'g' (Orange)	Ensemble De Bielle	Pleuelstange Kpl.	Biela, Conj.	
8	#ROD, CONNECTING	1	Rod, Connecting	Rod, Connecting	Rod, Connecting	Rod, Connecting	Ref. 7
9	#CAP	1	Cap	Chapeau	Kappe	Tapa	Ref. 7
10	3112A005	1	Bush - Small End	Douille	Büchse	Casquillo	
11	3212V003	2	Bolt - Con Rod	Goupille	Bolzen	Perno	
12	4115P015	4	Kit - Piston And Ring	Jeu Segm Piston	Kolbenringsatz	Pistón, Conj.	
13	#PISTON	1	Piston	Piston	Piston	Piston	Ref. 12
14	#PIN	1	Pin	Goupille	Bolzen	Pasador	Ref. 12
15	2721332	1	Circlip - Gudgeon Pin	Segment D'Arrêt	Sicherungsring	Circlip	
16	2721332	1	Circlip - Gudgeon Pin	Segment D'Arrêt	Sicherungsring	Circlip	
17	UPRK0002	1	Kit - Piston Ring	Jeu Segm Piston	Kolbenringsatz	Juego De Segmentos	



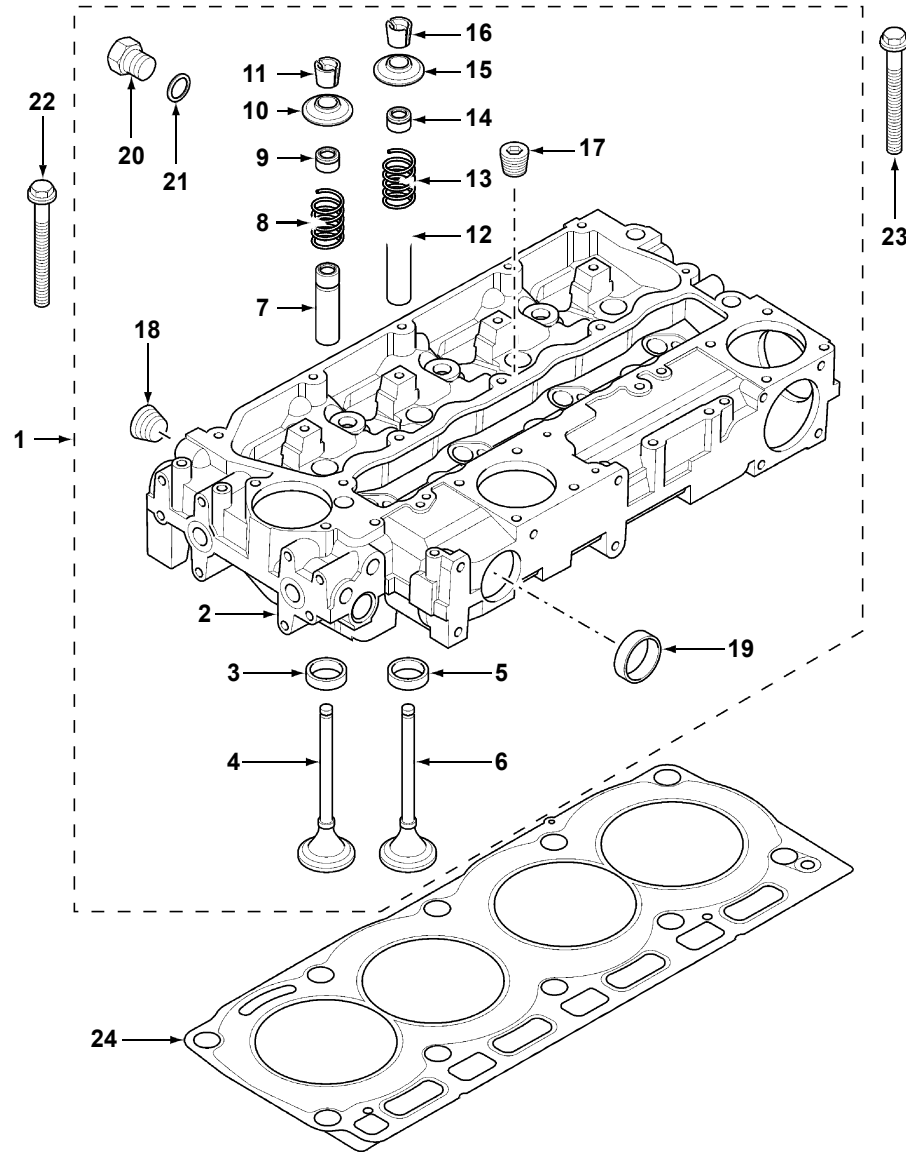
C-21013-03.1-A



<b>Item</b>	<b>Part No.</b>	<b>Qty.</b>	<b>English</b>	<b>French</b>	<b>German</b>	<b>Spanish</b>	<b>Remarks</b>
18	0500012	1	Key - Woodruff	Clavette Demi-Lune	Scheibenfeder	Chaveta Media-Luna	
19	3117C221	1	Gear - Crankshaft	Pignon	Zahnrad	Piñón	



C-21013-04.1-A

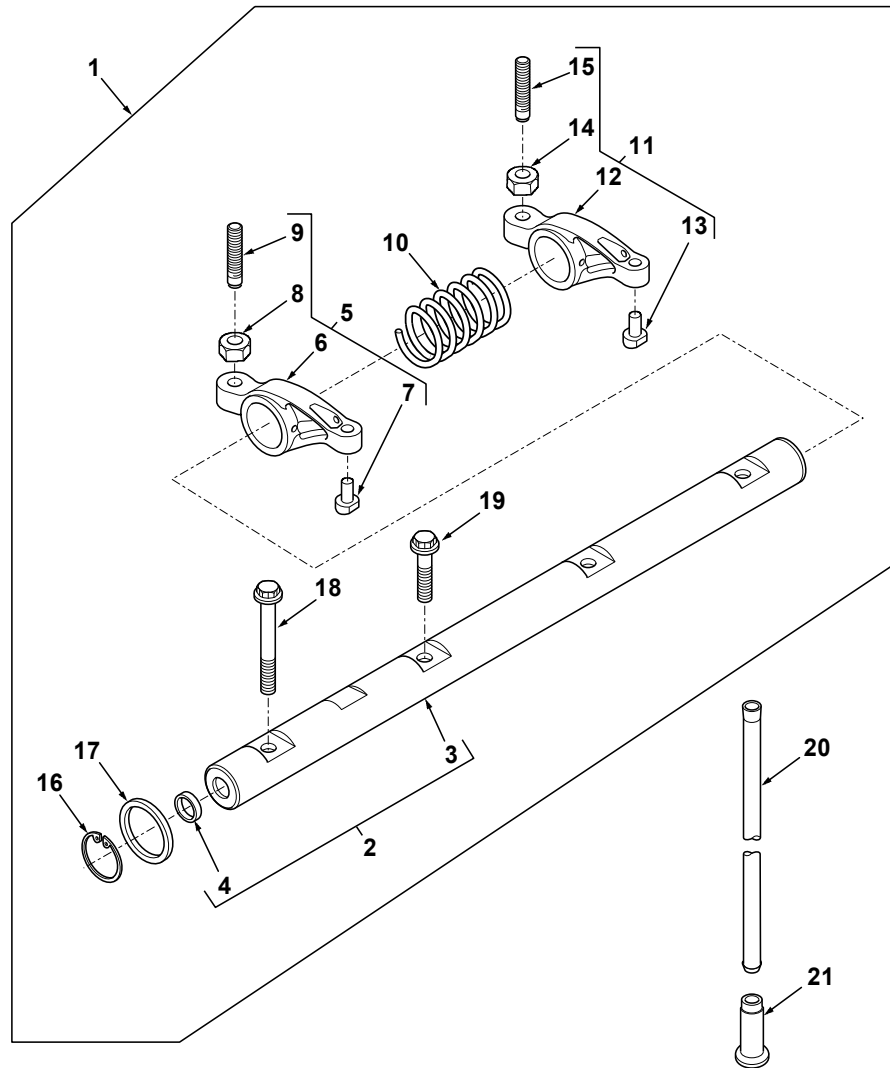




Item	Part No.	Qty.	English	French	German	Spanish	Remarks
1	ZZ80268	1	Kit - Cylinder Head	Culasse	Kopf, Zylinder	Culata	
2	#HEAD, CYLINDER	1	Head, Cylinder	Head, Cylinder	Head, Cylinder	Head, Cylinder	Ref. 1
3	3314A151	4	Inlet Valve Insert	Insert	Einsatz	Inserción	
4	3142H071	4	Valve - Inlet	Soupape D'Admission	Einlassventil	Válvula De Admisión	
5	3314A161	4	Exhaust Valve Insert	Insert	Einsatz	Inserción	
6	3142A151	4	Valve - Exhaust	Soupape Echappem.	Auslassventil	Válvula De Escape	
7	3313E021	4	Valve Guide	Guide	Führung	Guía	
8	3174A016	4	Spring - Valve	Ressort, Soupape	Ventilfeder	Muelle, Válvula	
9	2418M514	4	Valve Stem Seal	Jeu Etancheite	Dichtringsatz	Anillo, Estanqueidad	
10	3342A011	4	Valve Cap	Chapeau	Kappe	Sombbrero	
11	3142W004	4	Retainer	Arrêtoir	Befestigungsteil	Fijación	
12	3313E021	4	Valve Guide	Guide	Führung	Guía	
13	3174A016	4	Spring - Valve	Ressort, Soupape	Ventilfeder	Muelle, Válvula	
14	2418M514	4	Valve Stem Seal	Jeu Etancheite	Dichtringsatz	Anillo, Estanqueidad	
15	3342A011	4	Valve Cap	Chapeau	Kappe	Sombbrero	
16	3142W004	4	Retainer	Arrêtoir	Befestigungsteil	Fijación	
17	0650588	4	Plug	Bouchon	Stopfen	Tapon	
18	2431154	1	Plug	Bouchon	Stopfen	Tapón	
19	32416117	2	Plug	Bouchon	Stopfen	Tapón	
20	3278A006	1	Plug	Bouchon	Stopfen	Tapón	
21	2415H003	1	O - Ring	Joint Torique	O-Ring	Junta De Tipo O	
22	3218A011	7	Screw	Vis	Schraube	Perno	
23	3218A012	3	Screw	Vis	Schraube	Perno	
24	3681E046	1	Gasket - Cylinder Head	Joint De Culasse	Dichtung, Zylinderko	Junta De Culata	



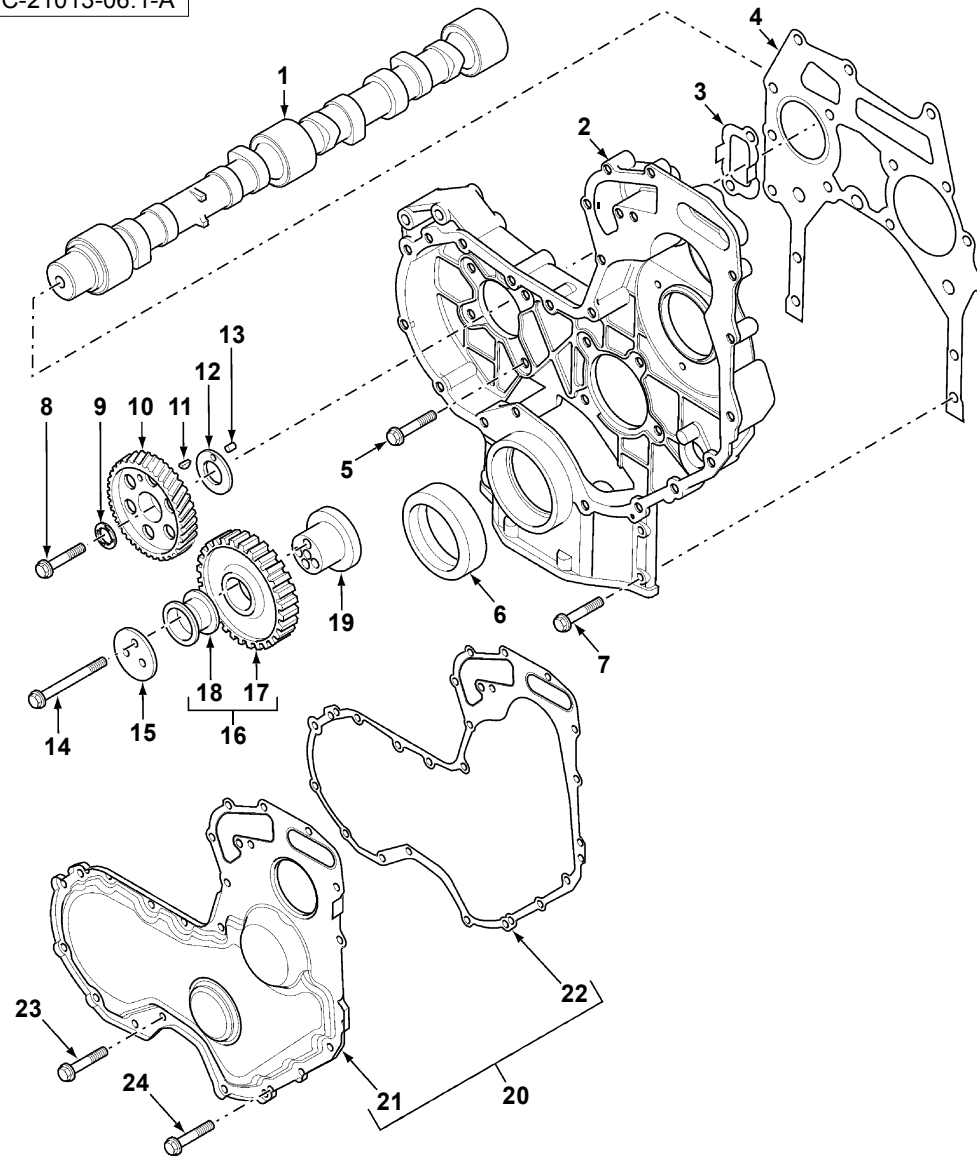
C-21013-05.1-A



Item	Part No.	Qty.	English	French	German	Spanish	Remarks
1	4115R612	1	Rocker Assembly	Ensemble De L'Arbre	Welle Kpl.	Árbol, Conj.	
2	4115R703	1	Rocker Shaft Assembly	Arbre Culbuteurs	Schwingwelle	Árbol, Conj.	
3	#SHAFT	1	Shaft	Shaft	Shaft	Shaft	Ref. 2
4	2485A104	2	Plug	Bouchon	Stopfen	Tapón	
5	4115R314	4	Rocker Arm Assembly	Culbuteur	Ventilhebel	Balancín De Válvula	
6	#ARM	1	Arm	Bras	Arm	Brazo	Ref. 5
7	#PAD	1	Pad	Pad	Pad	Pad	Ref. 5
8	0576052	1	Nut	Ecrou	Mutter	Tuerca	
9	32114145	1	Screw	Vis	Schraube	Tornillo	
10	3174A015	3	Spring - Rocker Shaft	Siège De Ressort	Federsitz	Muelle	
11	4115R315	4	Rocker Arm Assembly	Culbuteur	Ventilhebel	Balancín De Válvula	
12	#ARM	1	Arm	Bras	Arm	Brazo	Ref. 11
13	#PAD	1	Pad	Pad	Pad	Pad	Ref. 11
14	0576052	1	Nut	Ecrou	Mutter	Tuerca	
15	32114145	1	Screw	Vis	Schraube	Tornillo	
16	2722A022	2	Circlip	Segment D'Arrêt	Sicherungsring	Circlip	
17	2134A502	2	Washer	Rondelle	Scheibe	Arandela	
18	2316A901	1	Screw	Vis	Schraube	Tornillo	
19	2316A902	3	Screw	Vis	Schraube	Tornillo	
20	31434307	8	Rod - Push	Tige De Culbuteur	Stange, Stössel-	Varilla	
21	3142U031	8	Cam Follower	Poussoir	Stössel	Pulsador	



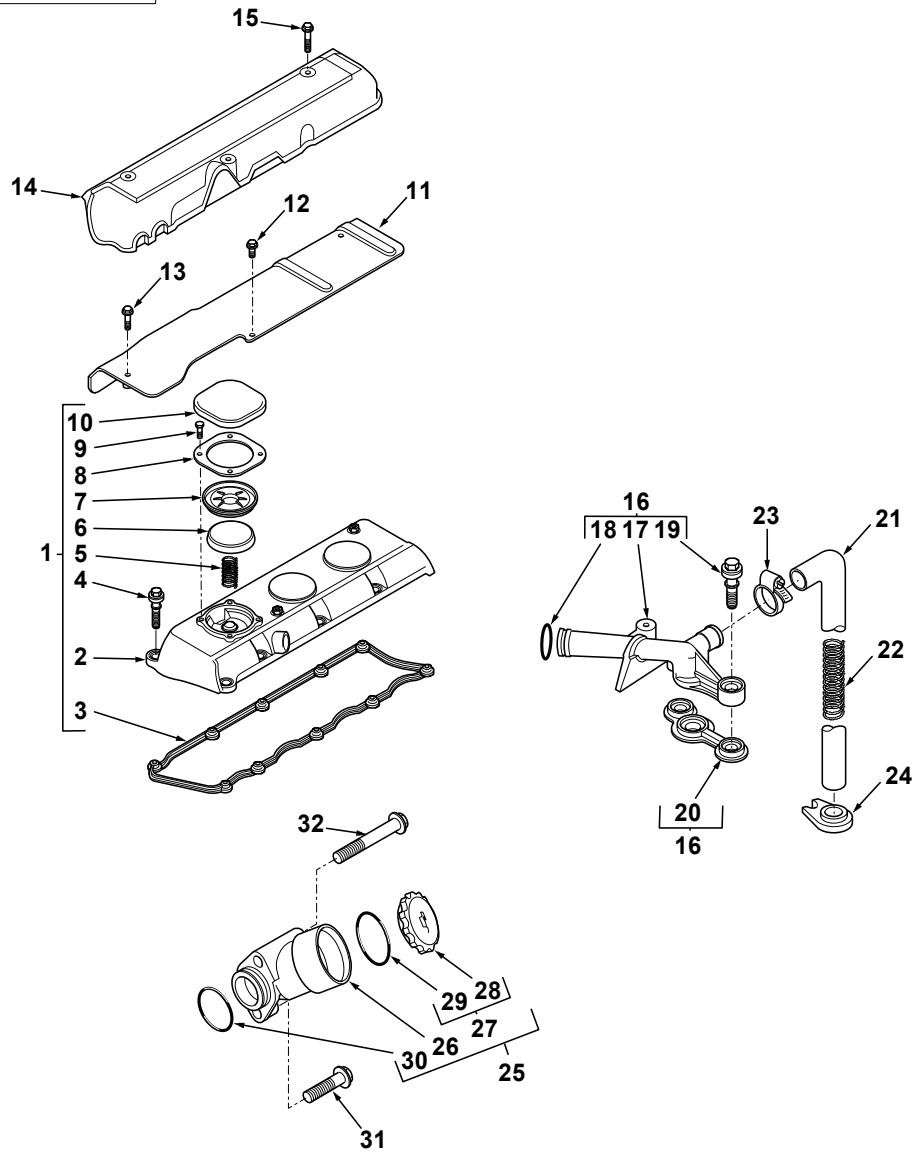
C-21013-06.1-A



Item	Part No.	Qty.	English	French	German	Spanish	Remarks
1	3141D222	1	Camshaft	Arbre A Cames	Nockenwelle	Árbol De Levas	
2	3716C461	1	Case - Timing Gear	Carter	Gehäuse	Cárter	
3	3617V016	1	Joint - Timing Case	Articulation	Verbindung, Gelenk	Articulación	
4	3617V015	1	Joint - Timing Case	Articulation	Verbindung, Gelenk	Articulación	
5	2314H003	8	Hex Bolt - M8 X 20	Goupille	Bolzen	Tornillo	
6	2418F436	1	Oil Seal - Timing Cover	Joint D´Arbre	Wellendichtring	Anillo, Estanqueidad	
7	2314H034	4	Screw	Vis	Schraube	Tornillo	
8	2314J606	1	Camshaft Bolt	Vis	Schraube	Tornillo	
9	3112X011	1	Washer - Thrust	Rondelle De Butée	Druckscheibe	Arandela De Tope	
10	3117N001	1	Gear - Camshaft	Pignon	Zahnrad	Piñón	
11	0500012	1	Key - Woodruff	Clavette Demi-Lune	Scheibenfeder	Chaveta Media-Luna	
12	3321A003	1	Washer	Rondelle	Scheibe	Arandela	
13	2116053	1	Dowel	Plot	Zylinderstift	Peón	
14	2314J010	3	Screw	Vis	Schraube	Tornillo	
15	3241H009	1	Plate	Plaque	Platte	Placa	
16	3117N042	1	Gear - Idler	Ensemble D'engrenage	Zahnradgetriebe Kpl.	Engranaje, Conj.	
17	#GEAR	1	Gear	Gear	Gear	Gear	Ref. 16
18	0050345	2	Bush	Douille	Buechse	Juego De Anillos	
19	33426161	1	Hub	Moyeu	Nabe	Cubo	
20	4142A501	1	Kit - Front Cover	Jeu Couvercle	Deckel Satz	Tapa, Conj.	
21	#COVER	1	Cover	Cover	Cover	Cover	Ref. 20
22	3681P046	1	Joint - Timing Case Cover	Articulation	Verbindung, Gelenk	Articulación	
23	2314H002	10	Screw	Vis	Schraube	Tornillo	
24	2314H012	5	Screw	Vis	Schraube	Tornillo	



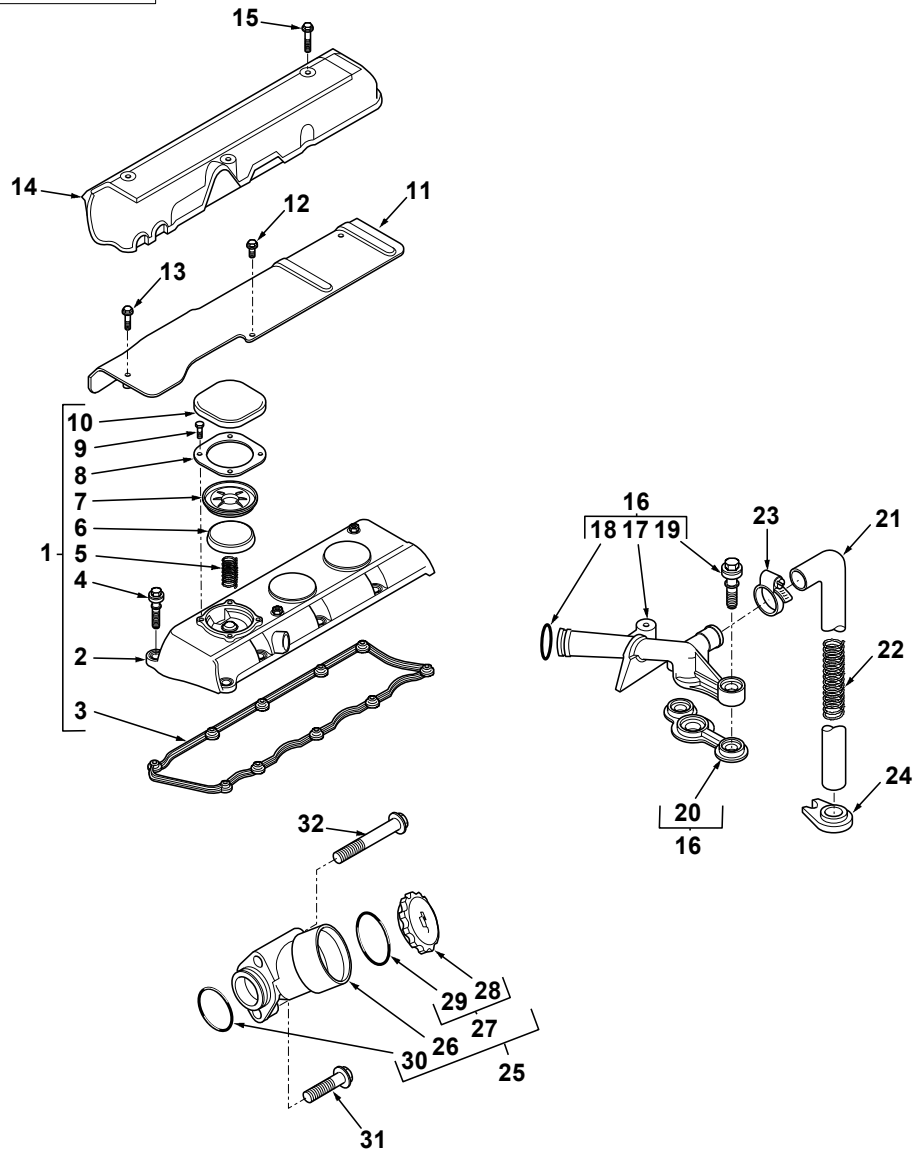
C-21013-07.1-A



Item	Part No.	Qty.	English	French	German	Spanish	Remarks
1	4142X294	1	Cover- Cylinder Head	Cache	Abdeckung	Tapa, Conj.	
2	#COVER	1	Cover	Cache	Cover	Cover	Ref. 1
3	3681A055	1	Joint - Rocker Cover	Joint	Dichtring	Junta	
4	2161A011	10	Screw	Vis	Schraube	Tornillo	
5	3174A017	1	Spring	Siège De Ressort	Federsitz	Muelle	
6	3788A002	1	Filler Cap	Capuchon	Wetterkappe	Sombbrero	
7	3789A001	1	Diaphragm	Diaphragme	Membran	Diafragma	
8	3615A009	1	Plate - Cover	Plaque De Fermeture	Verschlussplatte	Placa De Cierre	
9	2151A001	4	Screw	Vis	Schraube	Tornillo	
10	3788A003	1	Cap	Capuchon	Wetterkappe	Sombbrero	
11	3812A026	1	Heatshield	Garant Thermique	Hitzeschutz	Pantalla Térmica	
12	2314F001	2	Screw	Vis	Schraube	Tornillo	
13	2314F006	1	Screw	Vis	Schraube	Tornillo	
14	3788N005	1	Cover	Cache	Abdeckung	Tapa	
15	2314F005	3	Screw (Pack Of 10)	Vis	Schraube	Tornillo	
16	4134K015	1	Thermostat Housing	Tuyau Reni*ard	Entlufteleitg	Ventil. Cáster, Conj.	
17	#BREATHER	1	Breather	Breather	Breather	Breather	Ref. 16
18	2415A068	1	O - Ring	Joint Torique	O-Ring	Junta De Tipo O	
19	2161A011	2	Screw	Vis	Schraube	Tornillo	
20	3688A038	1	Joint	Joint Plat	Dichtung	Articulación	
21	33872632	1	Hose	Flexible	Schlauch	Tubo Flexible	
22	3175P003	1	Spring, Eng. Breather Hose Reinf.	Siège De Ressort	Federsitz	Muelle	
23	2481877	1	Hose Clip	Bride Pour Tutaux	Schlauchschelle	Argolla De Cierre	
24	36241123	1	Support Bracket	Patte Fixation	Halter	Pata De Fijación	
25	4134C043	1	Lubricating Oil Filler	Rempliss.Huile	Einfüllstutzen	Rellenador	
26	#FILLER	1	Filler	Filler	Filler	Filler	Ref. 25
27	4142X098	1	Oil Filler Cap Assy	Capuchon	Wetterkappe	Casco	
28	#CAP	1	Cap	Chapeau	Kappe	Tapa	Ref. 27
29	2415633	1	Seal - Cap	Joint Torique	O-Ring	Junta De Tipo O	
30	2415B148	1	O - Ring	Joint Torique	O-Ring	Junta De Tipo O	



C-21013-07.1-A

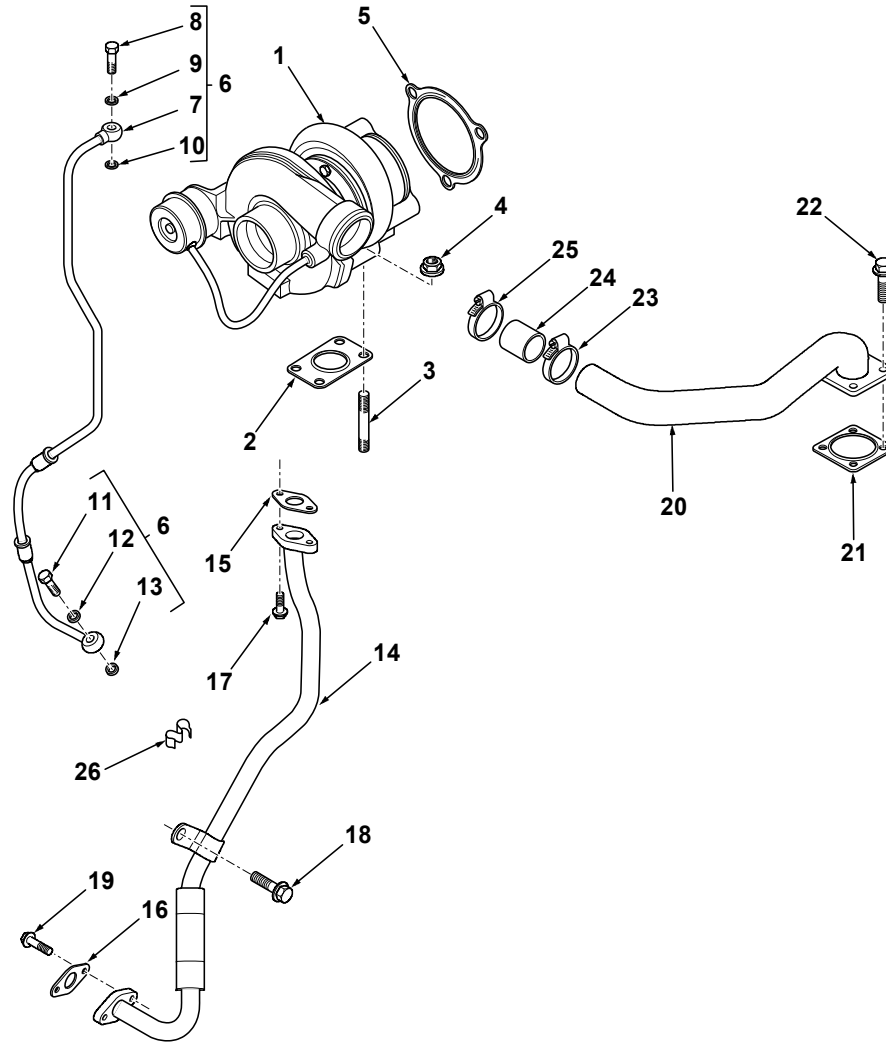




<b>Item</b>	<b>Part No.</b>	<b>Qty.</b>	<b>English</b>	<b>French</b>	<b>German</b>	<b>Spanish</b>	<b>Remarks</b>
31	2314H005	1	Screw	Vis	Schraube	Tornillo	
32	2314K161	1	Screw	Vis	Schraube	Tornillo	



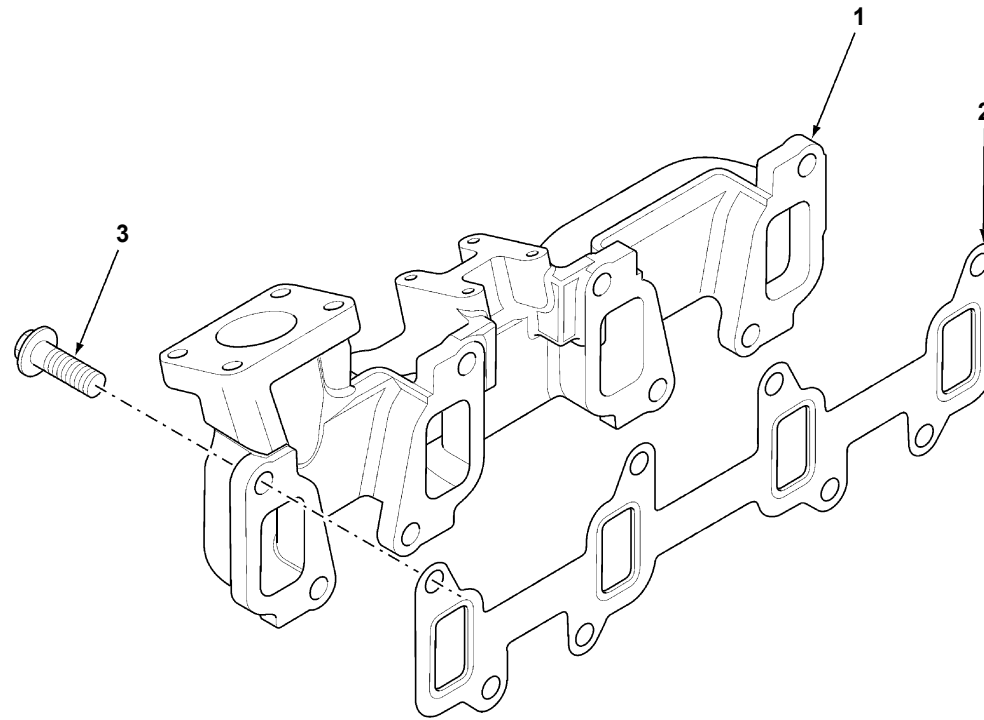
C-21013-08.1-A



Item	Part No.	Qty.	English	French	German	Spanish	Remarks
1	2674A226	1	Turbocharger	Turbocompresseur	Turbolader	Turbocompresor, Conj.	
2	3688A029	1	Joint - Turbo To Manifold	Joint	Dichtung	Articulación	
3	3254K013	4	Stud	Goujon	Stehbolzen	Espárrago	
4	2318A634	4	M10 X 1.5 Full Nut Grd 8 Phosphate	Ecrou	Mutter	Tuerca	
5	3688A034	1	Joint - Elbow	Joint Plat	Dichtung	Articulación	
6	4128A029	1	Pipe Assy	Tuyo	Leitung, Kpl.	Tubo, Conj.	
7	#PIPE	1	Pipe	Pipe	Pipe	Pipe	Ref. 6
8	3218R036	1	Bolt - Banjo	Raccord Banjo	Hohlschraube	Perno De Banjo	
9	2131A506	1	Washer	Rondelle	Scheibe	Arandela	
10	2131A506	1	Washer	Rondelle	Scheibe	Arandela	
11	3218R036	1	Bolt - Banjo	Raccord Banjo	Hohlschraube	Perno De Banjo	
12	2131A506	1	Washer	Rondelle	Scheibe	Arandela	
13	2131A506	1	Washer	Rondelle	Scheibe	Arandela	
14	3584A003	1	Pipe Assy	Tuyo	Leitung, Kpl.	Tubo, Conj.	
15	3688A035	1	Joint	Joint Plat	Dichtung	Articulación	
16	3688A036	1	Joint	Joint Plat	Dichtung	Articulación	
17	2314F004	2	Bolt	Boulon	Schraube	Perno	
18	2314J029	1	Screw	Vis	Schraube	Tornillo	
19	2314H003	2	Hex Bolt - M8 X 20	Goupille	Bolzen	Tornillo	
20	3571C072	1	Pipe	Tuyau	Rohr	Tubo, Conj.	
21	3688A037	1	Gasket	Joint Plat	Dichtung	Articulación	
22	2314H033	4	Screw	Vis	Schraube	Tornillo	
23	2481D073	1	Clip - Hose	Collier Durit	Schlauchschelle	Clip	
24	3383A027	1	Hose	Flexible	Schlauch	Tubo Flexible	
25	2481D073	1	Clip - Hose	Collier Durit	Schlauchschelle	Clip	
26	2481D314	1	Clip	Clip	Klips	Clip	



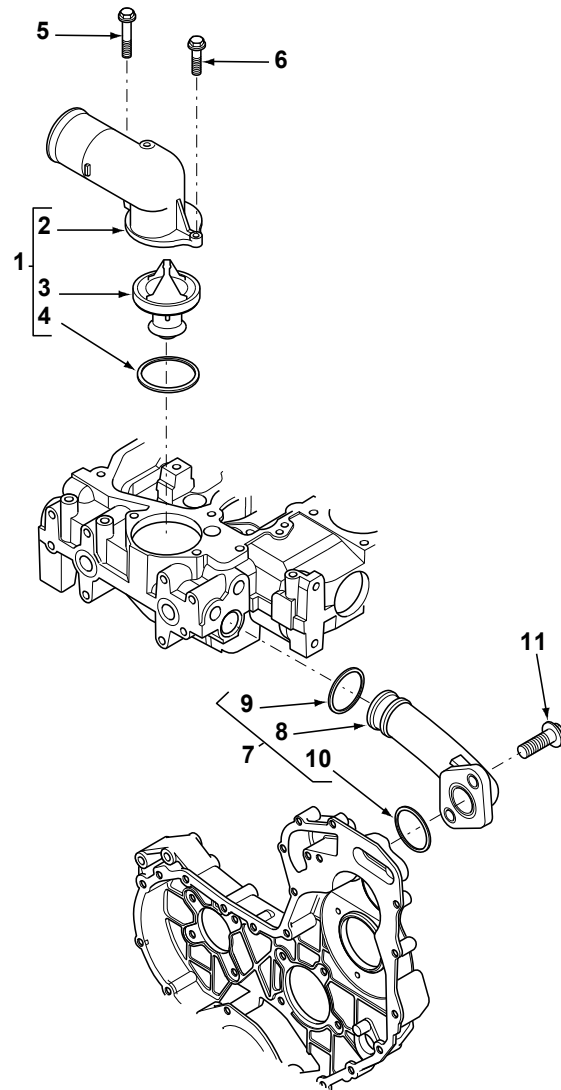
C-21013-09.1-A



<b>Item</b>	<b>Part No.</b>	<b>Qty.</b>	<b>English</b>	<b>French</b>	<b>German</b>	<b>Spanish</b>	<b>Remarks</b>
1	3778E221	1	Manifold - Exhaust	Collecteur	Krümmer	Colector	
2	3681V512	1	Joint - Exhaust Manifold	Joint	Dichtring	Junta	
3	3218J013	8	Screw	Vis	Schraube	Tornillo	



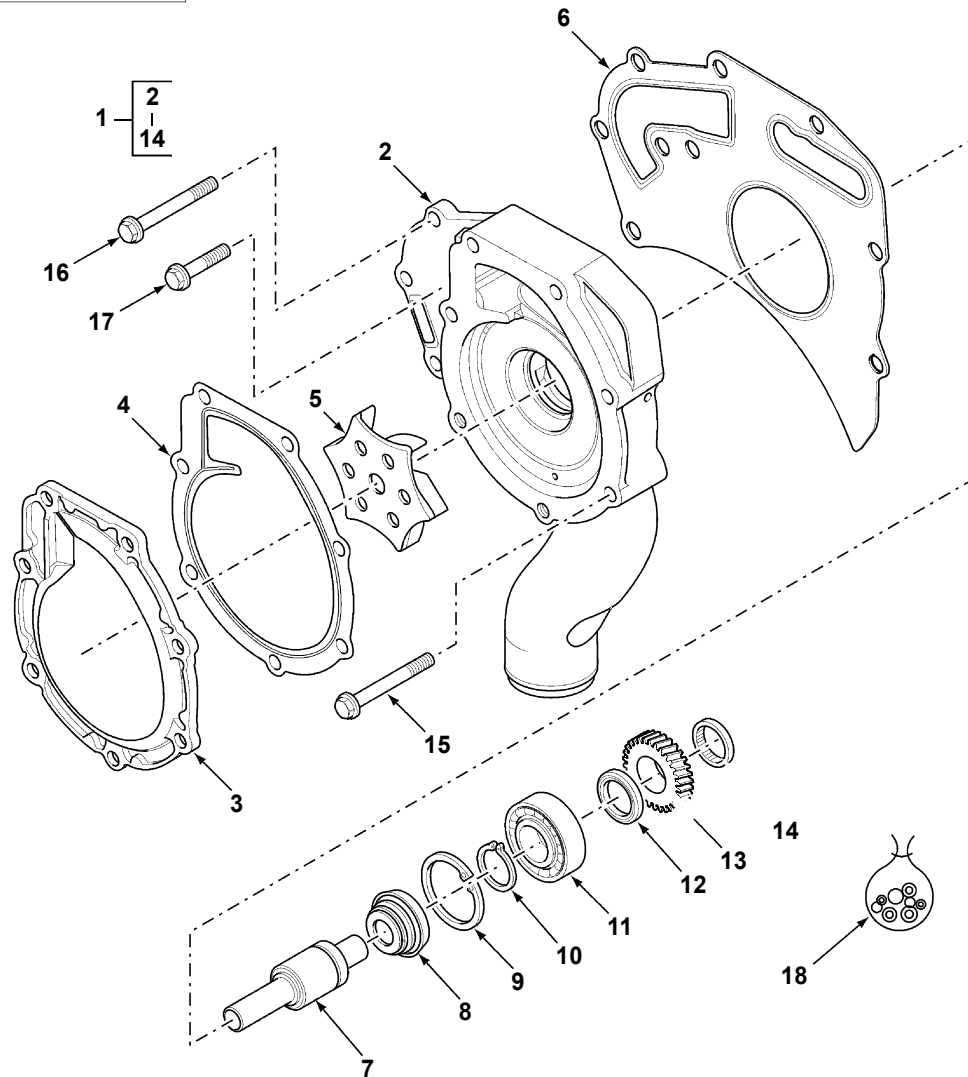
C-21013-10.1-A



Item	Part No.	Qty.	English	French	German	Spanish	Remarks
1	4133L503	1	Manifold Assy	Connexion	Krummer Kpl.	Colector, Conj.	
2	#PIPE	1	Pipe	Pipe	Pipe	Pipe	Ref. 1
3	2485C041P	1	Thermostat	Thermostat	Thermostat	Termostato	
4	2415H008	1	O - Ring	Joint Torique	O-Ring	Junta De Tipo O	
5	2314H012	1	Screw	Vis	Schraube	Tornillo	
6	2314H004	1	Screw	Vis	Schraube	Tornillo	
7	4133L048	1	Connection	Borne	Doppelnippel	Conexión, Conj.	
8	#PIPE	1	Pipe	Pipe	Pipe	Pipe	Ref. 7
9	2418F002	1	O - Ring	Joint Torique	O-Ring	Junta De Tipo O	
10	2418F001	1	O - Ring	Joint Torique	O-Ring	Junta De Tipo O	
11	2314H003	2	Hex Bolt - M8 X 20	Goupille	Bolzen	Tornillo	



C-21013-11.1-A

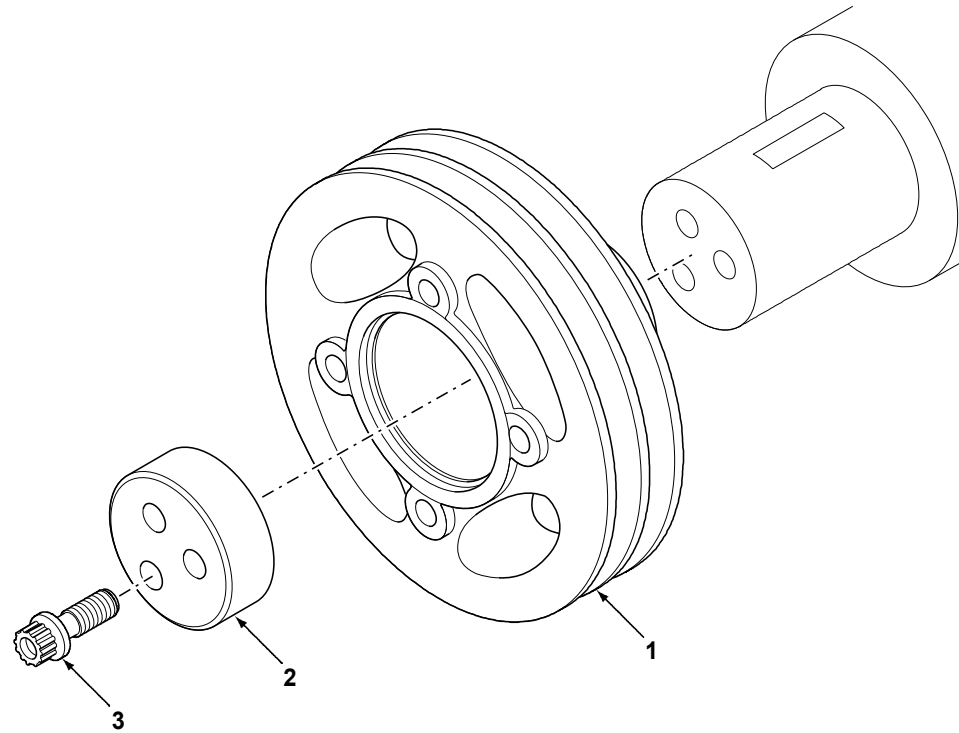




Item	Part No.	Qty.	English	French	German	Spanish	Remarks
1	U5MW0194	1	Kit - Water Pump	Jeu Pompe À Eau	Wasserpumpensatz	Bomba De Agua	
2	#BODY	1	Body	Body	Body	Body	Ref. 1
3	#COVER	1	Cover	Cover	Cover	Cover	Ref. 1
4	#GASKET	1	Gasket	Gasket	Gasket	Gasket	
5	#TURBINE	1	Turbine	Turbine	Turbine	Turbine	
6	3682A011	1	Joint - Water Pump	Joint Plat	Dichtung	Articulación	
7	#SHAFT	1	Shaft	Shaft	Shaft	Shaft	
8	#SEAL	1	Seal	Joint Étanchéité	Dichtring	Retén	
9	#CLIP	1	Clip	Clip	Clip	Clip	
10	#CLIP	1	Clip	Clip	Clip	Clip	
11	#BEARING	1	Bearing	Bearing	Bearing	Bearing	
12	#SEAL	1	Seal	Joint Étanchéité	Dichtring	Retén	
13	24880232	1	Gear - Water Pump	Pignon Pompe Eau	Zahnrad,Wapu	Piñón	
14	#BEARING	1	Bearing	Bearing	Bearing	Bearing	
15	2314H012	5	Screw	Vis	Schraube	Tornillo	
16	2314K164	2	Screw	Vis	Schraube	Tornillo	
17	2314H005	2	Screw	Vis	Schraube	Tornillo	
18	U7LW0172	1	Kit - Water Pump Repair	Jeu Pompe À Eau	Wasserpumpensatz	Juego De Servicio	



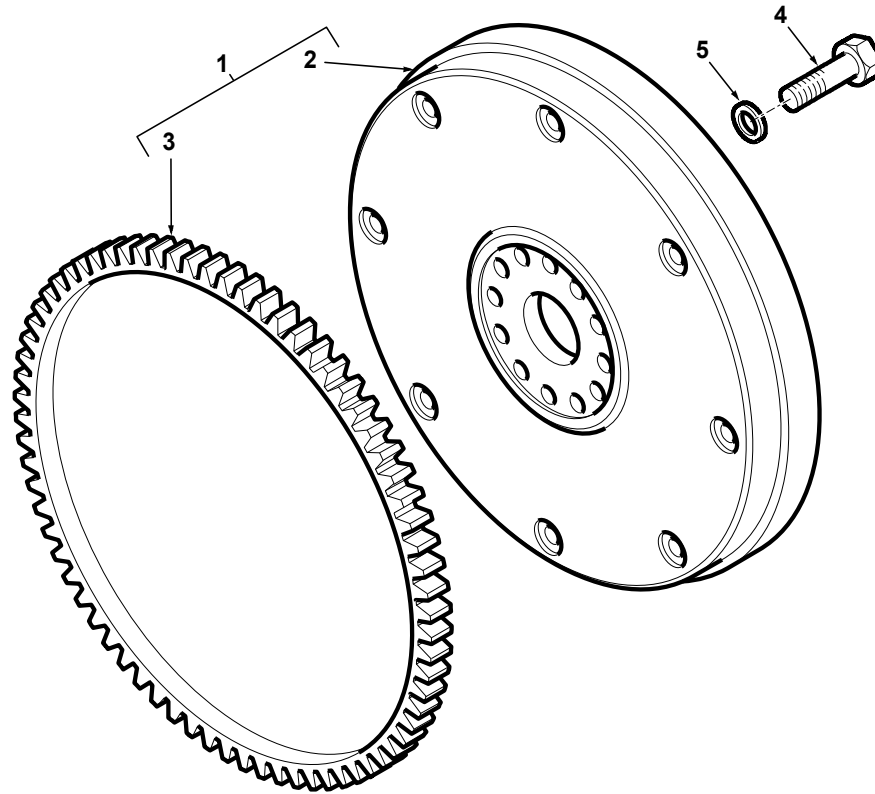
C-21013-12.1-A



<b>Item</b>	<b>Part No.</b>	<b>Qty.</b>	<b>English</b>	<b>French</b>	<b>German</b>	<b>Spanish</b>	<b>Remarks</b>
1	3115T081	1	Pulley - Crankshaft	Poulie Vilebreq.	R Scheibe,Kuwe	Polea	
2	3241N001	1	Block	Bloc	Block	Tope	
3	32186137	3	Bolt - Crankshaft	Goupille	Bolzen	Perno	



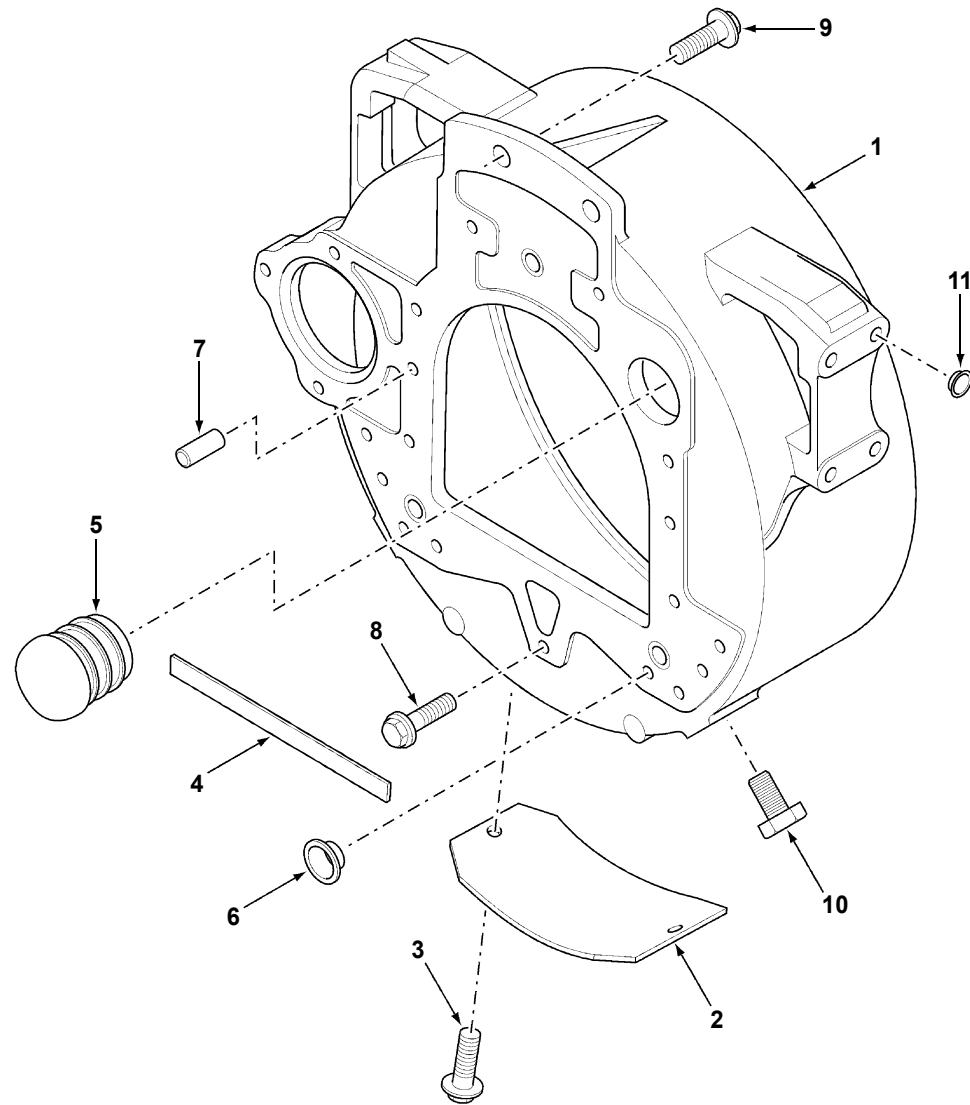
C-21013-13.1-A



<b>Item</b>	<b>Part No.</b>	<b>Qty.</b>	<b>English</b>	<b>French</b>	<b>German</b>	<b>Spanish</b>	<b>Remarks</b>
1	4111D127	1	Flywheel Assembly	Volant Moteur	Schwungrad Kpl	Volante Motor	
2	#FLYWHEEL	1	Flywheel	Flywheel	Flywheel	Flywheel	Ref. 1
3	31162121	1	Gear - Starter Ring	Roue Dentee	Zahnrad	Cambio	
4	0746853	6	Screw	Vis	Schraube	Tornillo	
5	33117127	6	Washer	Rondelle	Scheibe	Arandela	



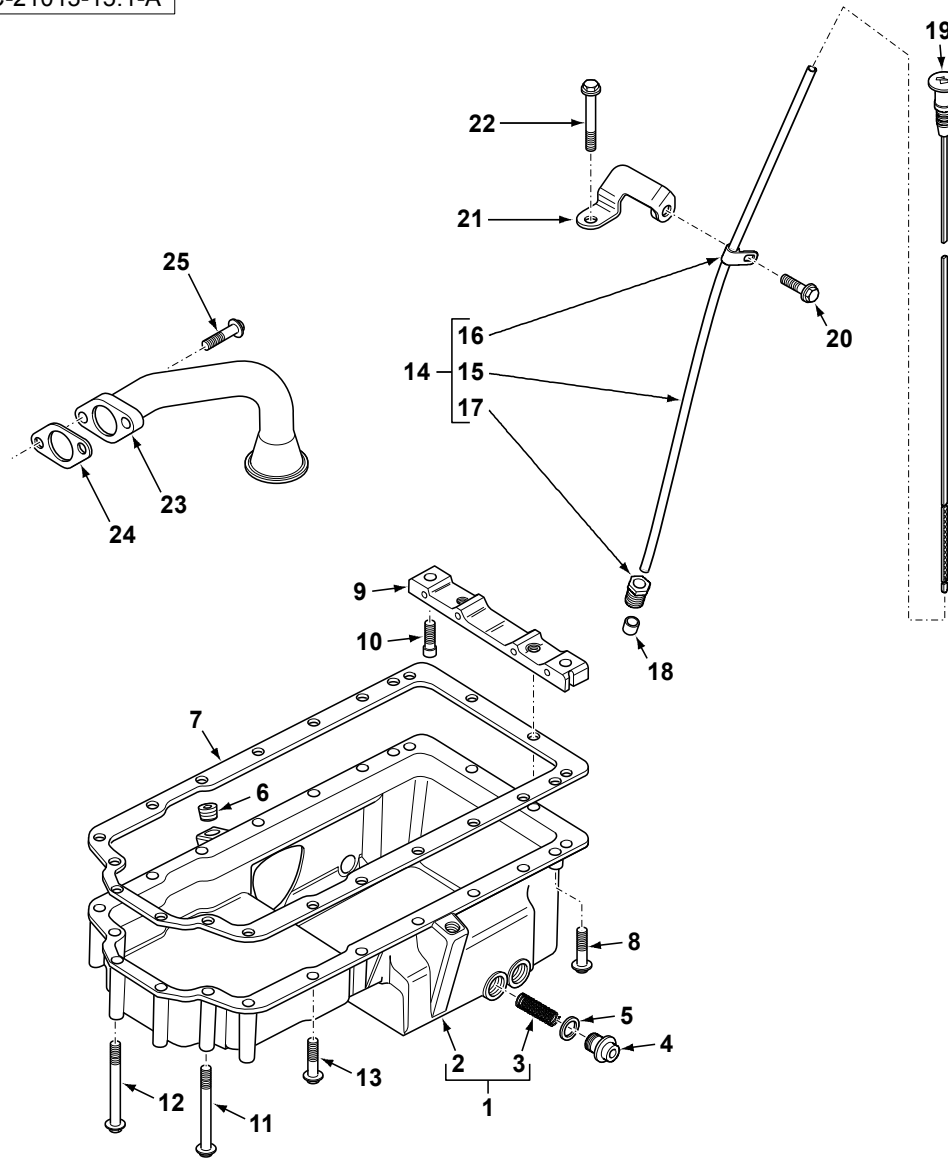
C-21013-14.1-A



Item	Part No.	Qty.	English	French	German	Spanish	Remarks
1	3713M049	1	Housing - Flywheel	Carter De Volant	Schwungradgeh	Cárter	
2	36212132	1	Plate	Plaque	Platte	Placa	
3	2314H102	2	Screw	Vis	Schraube	Tornillo	
4	36843154	1	Seal	Joint D ´Arbre	Wellendichtring	Junta	
5	2487A452	1	Plug - Blanking	Obturateur	Verschlussstopfen	Tapón De Bloqueo	
6	2487204	3	Plug	Bouchon	Stopfen	Tapón	
7	0350025	2	Dowel	Plot	Zylinderstift	Peon	
8	2314J204	6	Screw	Vis	Schraube	Tornillo	
9	2314J603	2	Screw	Vis	Schraube	Tornillo	
10	2487Y005	2	Plug	Bouchon	Stopfen	Tapón	
11	2487207	10	Plug	Bouchon	Stopfen	Tapón	



C-21013-15.1-A

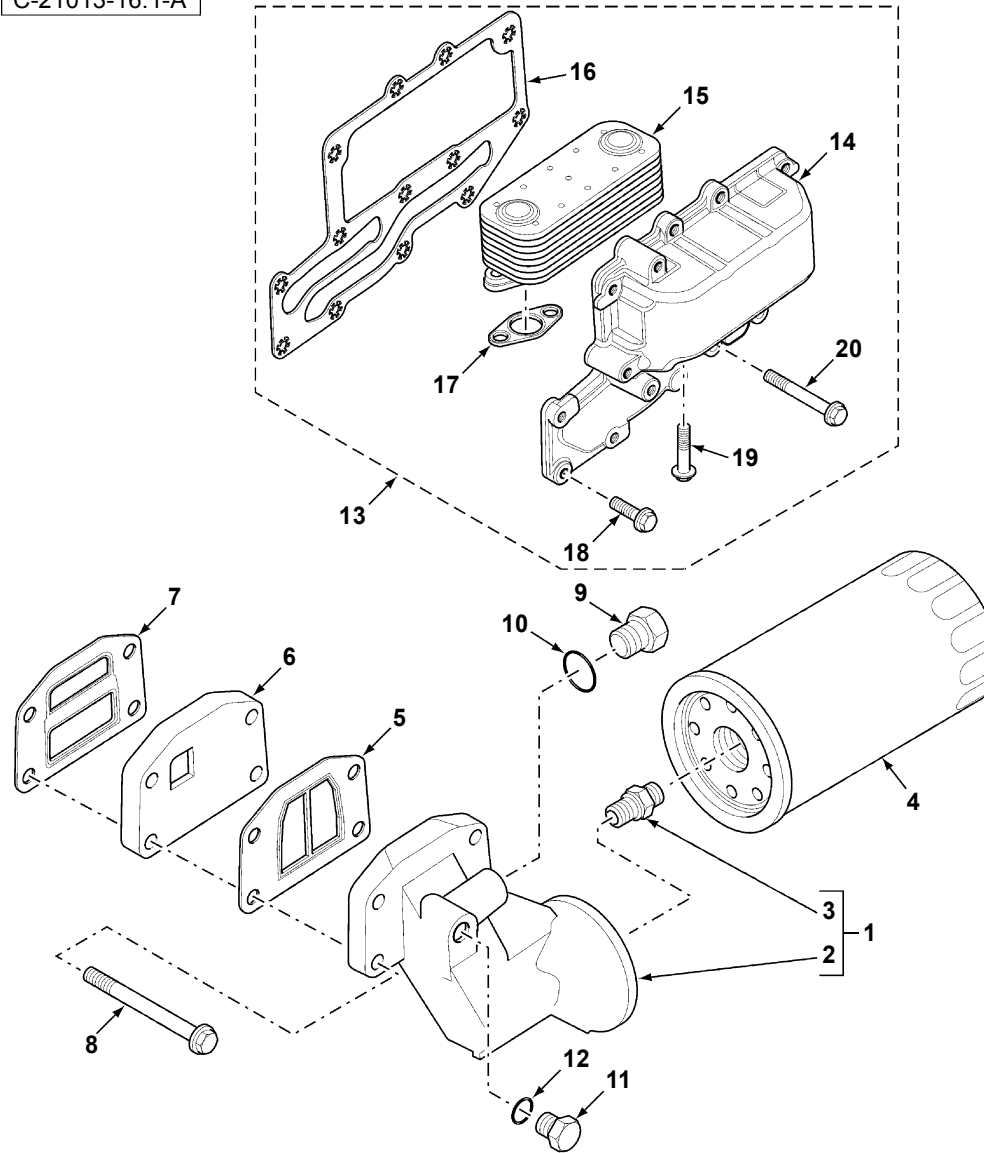




Item	Part No.	Qty.	English	French	German	Spanish	Remarks
1	4145H091	1	Sump	Carter À Huile	Ölwanne	Cárter De Aceite	
2	#PAN, OIL	1	Pan, Oil	Pan, Oil	Pan, Oil	Pan, Oil	Ref. 1
3	2137435	2	Insert	Siège De Ressort	Federsitz	Muelle	
4	32186405	2	Plug - Oil Drain	Bouchon	Stopfen	Tapón	
5	2415715	2	O-Ring - Sump Plug	Joint Torique	O-Ring	Junta De Tipo O	
6	2431A016	1	Plug	Bouchon	Stopfen	Tapón	
7	3681K037	1	Joint - Sump	Joint	Dichtring	Junta	
8	2314H033	2	Screw	Vis	Schraube	Tornillo	
9	3627P041	1	Bridge Piece	Pontet	Traverse	Placa	
10	2311D039	2	Screw	Vis	Schraube	Tornillo	
11	2314K166	2	Screw	Vis	Schraube	Tornillo	
12	2314K166	4	Screw	Vis	Schraube	Tornillo	
13	2314H003	12	Hex Bolt - M8 X 20	Goupille	Bolzen	Tornillo	
14	4126A081	1	Tube - Dipstick	Tube	Rohrleitung	Conjunto De Tubería	
15	#TUBE	1	Tube	Tube	Tube	Tube	Ref.14
16	0180170	1	Clip	Clip	Klips	Argolla De Fijacion	
17	3353D005	1	Nut	Ecrou	Mutter	Tuerca	
18	33812116	1	Olive, Dipstick Tube	Ori•ce	Blende	Ori•cio	
19	3178C169	1	Dipstick	Jauge	Meßstab	Calibre De Aceite	
20	2314F002	1	Screw	Vis	Schraube	Tornillo	
21	3733A009	1	Bracket	Patte Fixation	Halter	Pata De Fijación	
22	2314F909	1	Screw	Vis	Schraube	Tornillo	
23	3575A061	1	Pipe - Suction	Ensemble Tuyauterie	Rohr Kpl.	Tube, Conj.	
24	36832137	1	Joint, Turbo Lub. Oil Drain Pipe	Articulation	Dichtring	Articulación	
25	2314H004	2	Screw	Vis	Schraube	Tornillo	



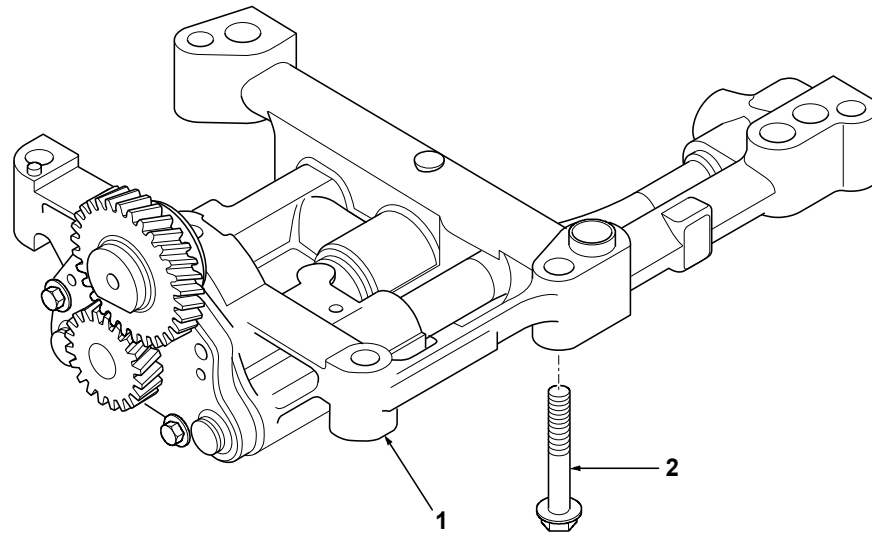
C-21013-16.1-A



Item	Part No.	Qty.	English	French	German	Spanish	Remarks
1	4134E057	1	Oil Filter Head	Ensemble De Tête	Kopf Kpl.	Cabeza, Conj.	
2	#HEAD	1	Head	Head	Head	Head	Ref. 1
3	33554128	1	Connection	Connexion	Verbindung	Racor	
4	2654407	1	Canister-Engine Oil Filter	Filtre	Filter	Filtro	
5	3688A041	1	Joint	Joint Plat	Dichtung	Articulación	
6	3773A081	1	Adaptor	Adaptateur	Reduziernippel	Adaptador	
7	3688A039	1	Joint	Joint Plat	Dichtung	Articulación	
8	2314H038	4	Screw	Vis	Schraube	Tornillo	
9	3278A004	1	Plug	Bouchon	Stopfen	Tapón	
10	2415H002	1	O - Ring	Joint Torique	O-Ring	Junta De Tipo O	
11	3278A007	1	Plug	Bouchon	Stopfen	Tapón	
12	2415H009	1	O - Ring	Joint Torique	O-Ring	Junta De Tipo O	
13	4134W001	1	Oil Cooler	Refroidisseur A Huil	Oelkuhler	Aceite Conjunto Enfr.	
14	#BODY	1	Body	Body	Body	Body	Ref. 13
15	2486A217	1	Oil Cooler	Refroidisseur A Huil	Oelkuhler	Radiador De Aceite	
16	3685A024	1	Joint	Joint Plat	Dichtung	Articulación	
17	3685A025	2	Joint	Joint Plat	Dichtung	Junta	
18	2314H004	10	Screw	Vis	Schraube	Tornillo	
19	2314H006	4	Screw	Goupille	Bolzen	Tornillo	
20	2314K161	3	Screw	Vis	Schraube	Tornillo	



C-21013-17.1-A



<b>Item</b>	<b>Part No.</b>	<b>Qty.</b>	<b>English</b>	<b>French</b>	<b>German</b>	<b>Spanish</b>	<b>Remarks</b>
1	4132F071	1	Pump - Oil	Pompe À Huile	Motorölpumpe	Bomba De Aceite	
2	2314J008	5	Screw	Vis	Schraube	Tornillo	

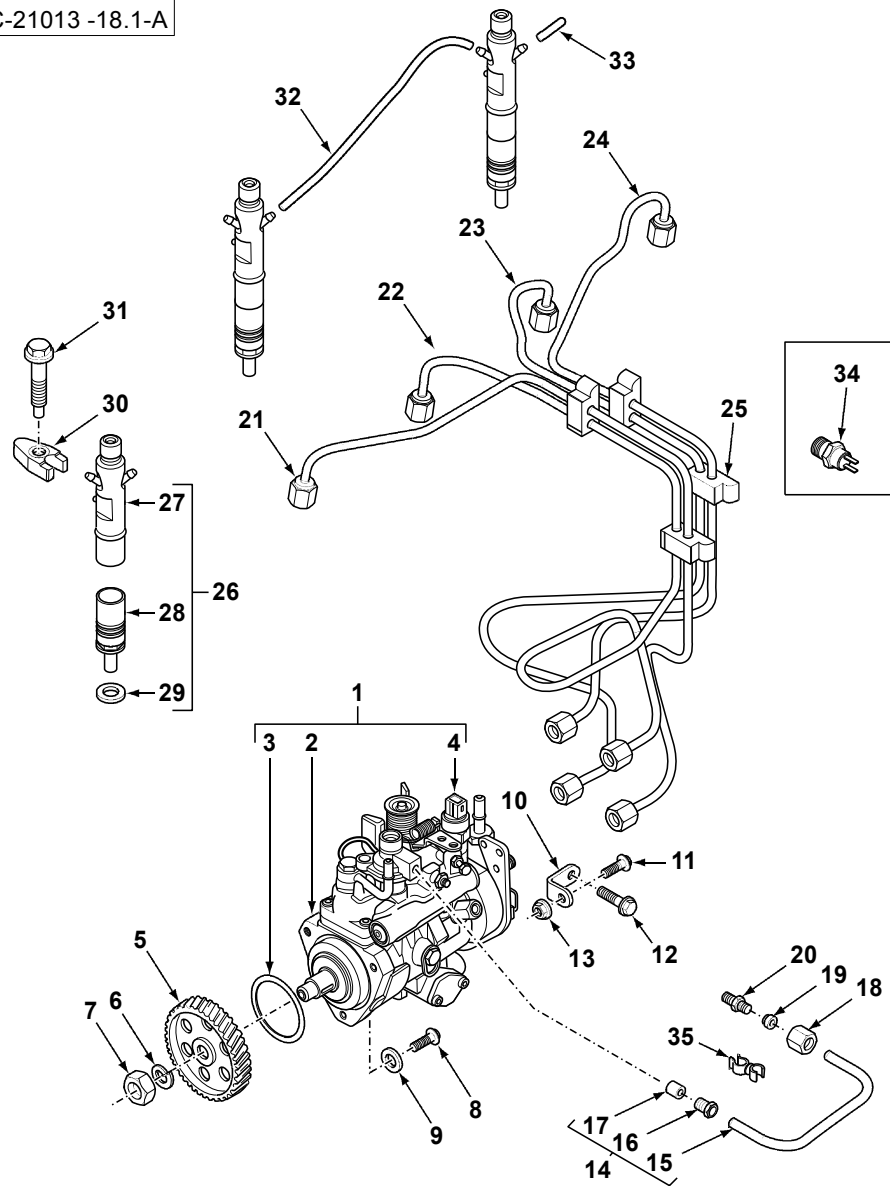




Item	Part No.	Qty.	English	French	German	Spanish	Remarks
1	2644H003	1	Pump - Fuel Injection	Pompe Injection	Einspritzpumpe	Bomba Inyectora	
2	#PUMP	1	Pump	Pump	Pump	Pump	Ref. 1
3	26420318	1	O-Ring	Joint Torique	O-Ring	Junta De Tipo O	
4	26420469	1	Solenoid - Fuel Cut-Off	Solenoide	Solenoide	Solenoide	
5	3117L261	1	Gear - Injection Pump	Pignon	Zahnrad	Piñón	
6	K134AF01	1	Washer	Rondelle	Scheibe	Arandela De Freno	
7	2318A108	1	Nut	Ecrou	Mutter	Tuerca	
8	2314H004	3	Screw	Vis	Schraube	Tornillo	
9	2411D008	3	Washer	Rondelle	Scheibe	Arandela	
10	3641A007	1	Bracket	Patte Fixation	Halter	Pata De Fijación	
11	2314H003	1	Hex Bolt - M8 X 20	Goupille	Bolzen	Tornillo	
12	2314J002	1	Screw	Vis	Schraube	Tornillo	
13	2318A603	1	Nut (Pack Of 10)	Ecrou	Mutter	Tuerca	
14	4121A058	1	Pipe - Boost Control	Ensemble Tuyauterie	Rohr Kpl.	Tubo, Conj.	
15	#PIPE	1	Pipe	Pipe	Pipe	Pipe	Ref. 14
16	3353D004	1	Nut - Union	Ecrou Raccord	Anschlussmutter	Tuerca	
17	33811112	1	Olive - Fuel Pipe	Ori•ce	Blende	Ori•cio	
18	0576111	1	Nut	Ecrou	Mutter	Tuerca	
19	0566002	1	Olive	Olive	Schneidring	Ori•cio	
20	0206002	1	Union	Union	Schraubanschluss	Union	
21	3525A061	1	Pipe - Fuel Injection No.1	Tuyau Injection	Einspritzleitung	Tubo	
22	3525A062	1	Pipe - Fuel Injection No.2	Tuyau Injection	Einspritzleitung	Tubo	
23	3525A063	1	Pipe - Fuel Injection No.3	Tuyau Injection	Einspritzleitung	Tubo	
24	3525A064	1	Pipe - Fuel Injection No.4	Tuyau Injection	Einspritzleitung	Tubo	
25	2646E017	1	Clip	Clip	Befestigungsschelle	Brida De Fijación	
26	2645K011	4	Atomiser	Injecteur	Zerstäuber	Inyector, Conj.	
27	#HOLDER	1	Holder	Holder	Holder	Holder	Ref. 26
28	2645K611	1	Nozzle	Gicleur Injection	Düse	Surtidor De Inyección	
29	L311FF02	1	Seal - Fuel Inj. Nozzle	Rondelle	Scheibe	Arandela	
30	3751A241	4	Clamp - Injector	Collier De Serrage	Klemme	Argolla De Cierre	



C-21013 -18.1-A

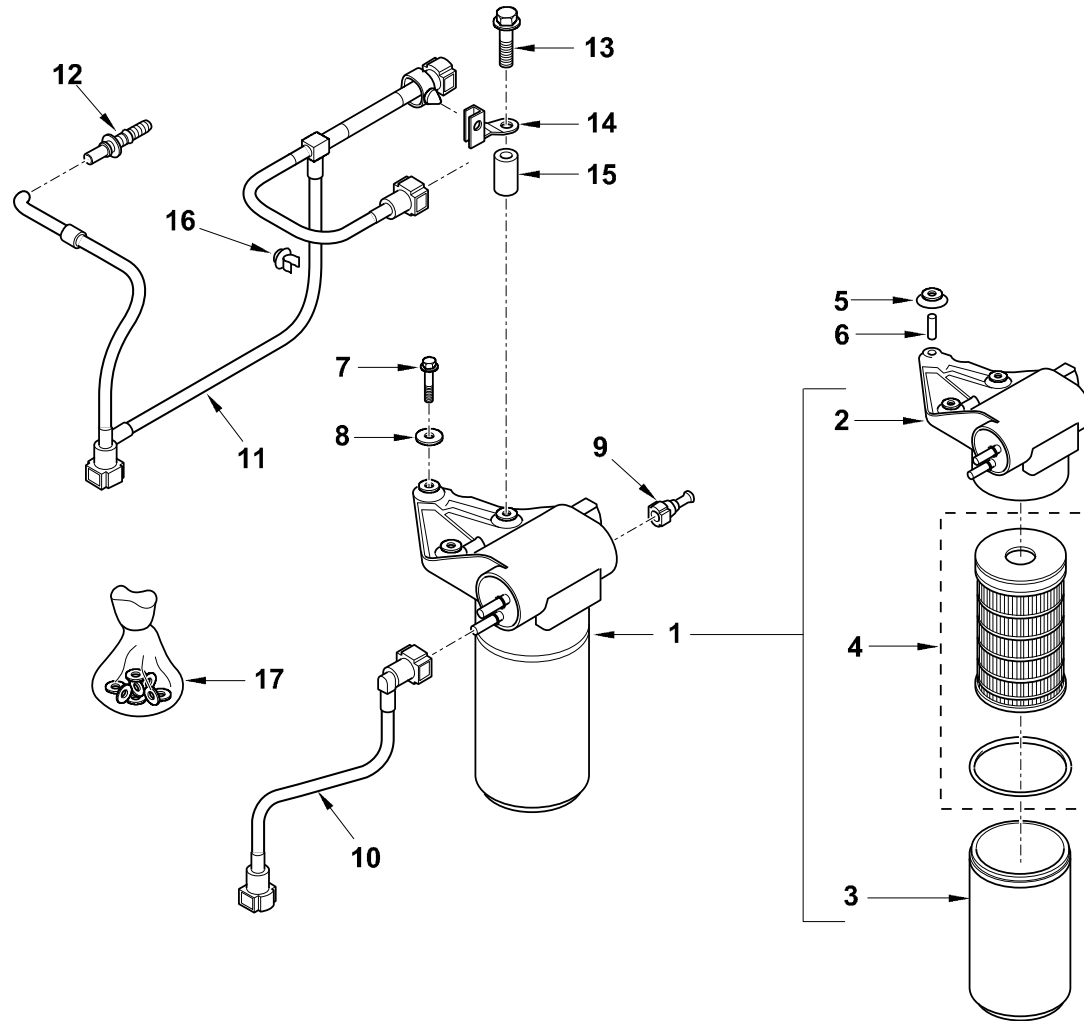




Item	Part No.	Qty.	English	French	German	Spanish	Remarks
31	2314W009	4	Screw	Vis	Schraube	Tornillo	
32	2646F501	3	Hose - Flexible	Flexible	Schlauch	Tubo Flexible	
33	2646E501	1	Cap	Capuchon	Wetterkappe	Sombbrero	
34	2848A127	1	Sender Unit	Capteur De Temperature	Temperaturgeber	Emisor	
35	K138AF02	1	Clip	Clip	Klips	Clip	



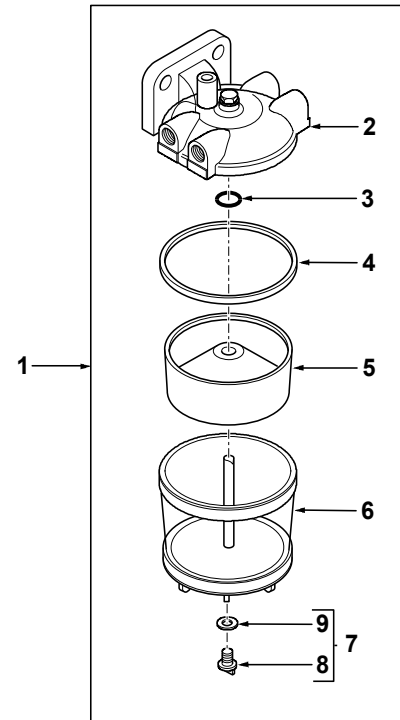
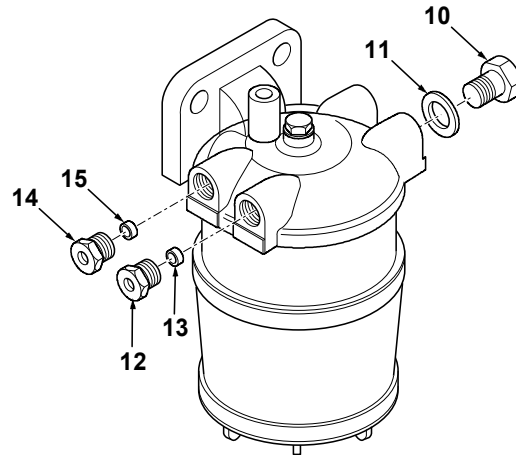
C-21013-19.1-B



Item	Part No.	Qty.	English	French	German	Spanish	Remarks
1	4132A014	1	Pump - Fuel Lift	Pompe Carburant	Kraftstoffpumpe	Bomba De Combustible	
2	#HEAD	1	Head	Head	Head	Head	Ref. 1
3	#BASE	1	Base	Base	Base	Base	Ref. 1
4	26560201	1	Element - Filter Engine Fuel *S*	Cartouche Filtrante	Filterpatrone	Elemento De Filtro	
5	#MOUNT	3	Mount	Mount	Mount	Mount	Ref. 17
6	#SPACER	3	Spacer	Spacer	Spacer	Spacer	Ref. 17
7	2314F909	3	Screw	Vis	Schraube	Tornillo	
8	2131A507	3	Washer	Rondelle	Scheibe	Arandela	
9	3763A046	1	Connector	Borne	Doppelnippel	Conector	
10	2646F001	1	Pipe - Fuel Feed	Ensemble Tuyauterie	Rohr Kpl.	Tubo, Conj.	
11	2646F002	1	Pipe - Fuel Feed	Tuyau Carburant	Kraftstleitung	Tubo, Conj.	
12	3763A045	1	Connection	Borne	Doppelnippel	Conector	
13	2314H008	1	Screw	Vis	Schraube	Tornillo	
14	3733A008	1	Bracket	Patte Fixation	Halter	Pata De Fijación	
15	3313A006	1	Spacer	Entretoise	Distanzstück	Traviesa	
16	2481D456	1	Clip	Clip	Klips	Clip	
17	U5MK0696	1	Kit - Repair	Pièces De Fixation	Reparatursatz	Piezas De Fijación	



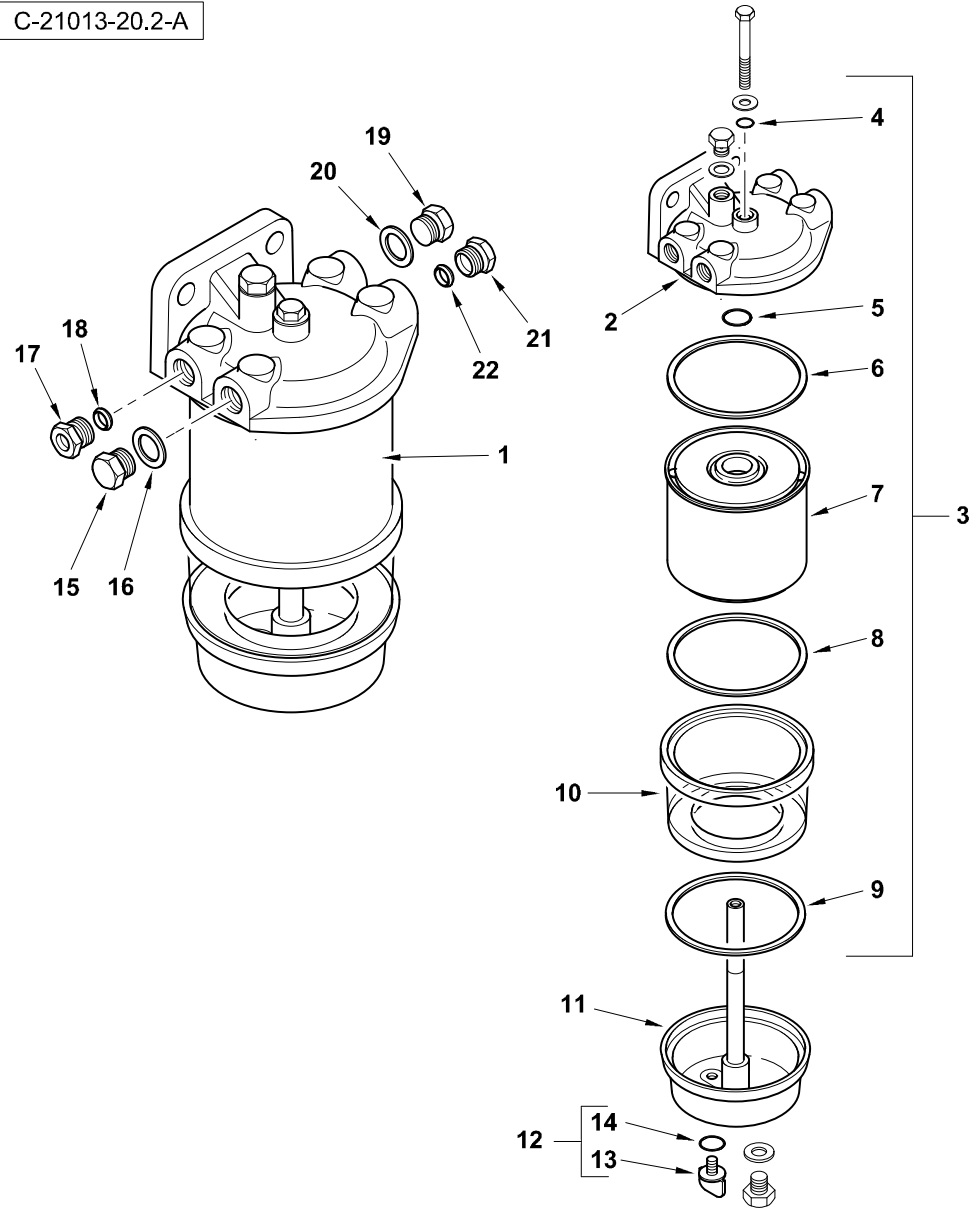
C-21013-20.1-A



Item	Part No.	Qty.	English	French	German	Spanish	Remarks
1	2656086	1	Pre-Filter - Fuel	Filtre	Filter	Filtro	
2	#HEAD	1	Head	Head	Head	Head	Ref. 1
3	26560016	1	Washer	Rondelle	Scheibe	Arandela	
4	0490786	2	Seal - Fuel Filter	Joint	Dichtung	Junta	
5	26560156	1	Body And Cone Assy. - Fuel Pre-Filter	Séparateur	Dreschwerk, Abscheider	Separador	
6	26560075	1	Container	Reservoir	Schauglas	Deposito	
7	26560614	1	Screw & O Ring - Fuel Filter Bowl	Bouchon	Stopfen	Tapón	
8	#PLUG	1	Plug	Plug	Plug	Plug	Ref. 7
9	26431192	1	Washer	Rondelle	Scheibe	Arandela	
10	0650204	2	Plug	Bouchon	Stopfen	Tapon	
11	0920154	2	Washer	Rondelle	Scheibe	Arandela	
12	33532129	1	Nut	Ecrou	Mutter	Tuerca De Tubería	
13	0566004	1	Olive	Olive	Schneidring	Oliva	
14	33532129	1	Nut	Ecrou	Mutter	Tuerca De Tubería	
15	0566004	1	Olive	Olive	Schneidring	Oliva	



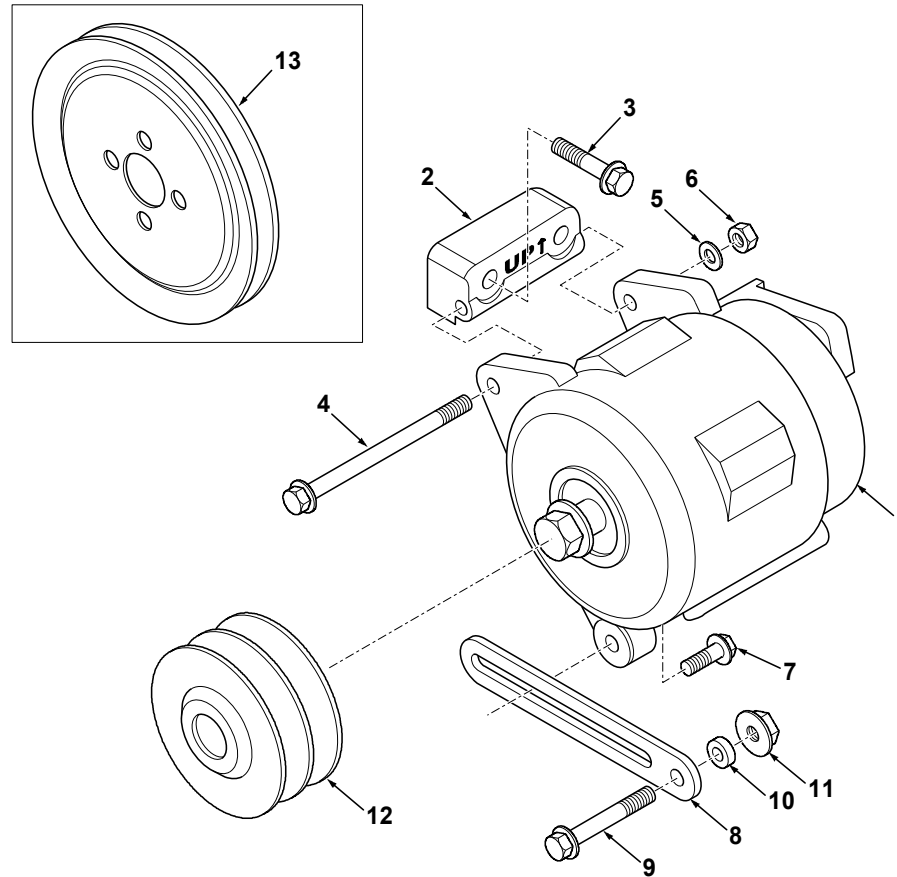
C-21013-20.2-A



Item	Part No.	Qty.	English	French	German	Spanish	Remarks
1	2656F823	1	Filter - Fuel	Filtre A Combustible	Kraftstoff-Filter	Filtro De Combustible	
2	#HEAD, FILTER	1	Head, Filter	Head, Filter	Head, Filter	Head, Filter	Ref. 1
3	26550005	1	Fuel/Water Separator	Filtre	Filter	Filtro	
4	#O-RING	1	O-Ring	Joint Torique	O-Ring	Junta Tórica	Ref. 3
5	#O-RING	1	O-Ring	Joint Torique	O-Ring	Junta Tórica	Ref. 3
6	#O-RING	1	O-Ring	Joint Torique	O-Ring	Junta Tórica	Ref. 3
7	#ELEMENT	1	Element	Element	Element	Element	Ref. 3
8	#O-RING	1	O-Ring	Joint Torique	O-Ring	Junta Tórica	Ref. 3
9	#O-RING	1	O-Ring	Joint Torique	O-Ring	Junta Tórica	Ref. 3
10	26560181	1	Bowl - Glass	Cuve	Wanne	Cuba	
11	#BASE	1	Base	Base	Base	Base	Ref. 1
12	26560614	1	Screw & O Ring - Fuel Filter Bowl	Bouchon	Stopfen	Tapón	
13	#PLUG	1	Plug	Plug	Plug	Plug	
14	26431192	1	Washer	Rondelle	Scheibe	Arandela	
15	0650204	1	Plug	Bouchon	Stopfen	Tapon	
16	2411D013	1	Washer	Rondelle	Unterlegscheibe	Arandela	
17	33532129	1	Nut	Ecrou	Mutter	Tuerca De Tubería	
18	0566004	1	Olive	Olive	Schneidring	Oliva	
19	0650204	1	Plug	Bouchon	Stopfen	Tapon	
20	2411D013	1	Washer	Rondelle	Unterlegscheibe	Arandela	
21	33532129	1	Nut	Ecrou	Mutter	Tuerca De Tubería	
22	0566004	1	Olive	Olive	Schneidring	Oliva	



C-21013-21.1-A

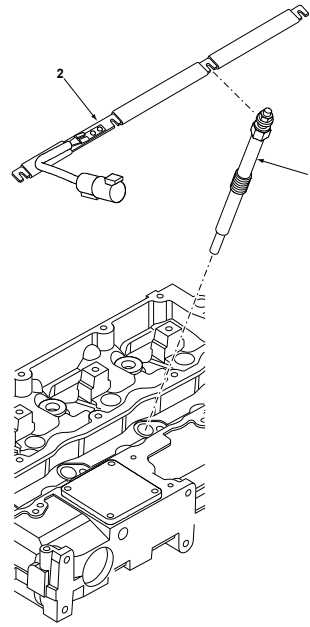




Item	Part No.	Qty.	English	French	German	Spanish	Remarks
1	2871A304	1	Alternator Use 2871a309	Alternateur Triphase	Drehstromlichtmaschi	Alternador, Conj.	
2	3824A071	1	Bracket - Alternator	Patte Fixation	Halter	Pata De Fijación	
3	2314J007	2	Screw	Vis	Schraube	Tornillo	
4	2314H022	1	Screw	Vis	Schraube	Tornillo	
5	2131A008	1	Washer	Rondelle	Scheibe	Arandela	
6	2318D208	1	Nut	Ecrou	Mutter	Tuerca	
7	2314H103	1	Screw	Vis	Schraube	Tornillo	
8	36155429	1	Bracket - Alternator Adjusting	Patte Fixation	Halter	Tirante De Ajuste	
9	2314J012	1	Screw	Vis	Schraube	Tornillo	
10	0920465	1	Spacer	Entretoise	Distanzstueeck	Traviesa	
11	2318A604	1	Nut	Ecrou	Mutter	Tuerca	
12	3115A121	1	Pulley - 2 Groove Alternator	Poulie	Riemenscheibe	Polea	
13	3114X191	1	Pulley - 1 Groove	Poulie	Riemenscheibe	Polea	



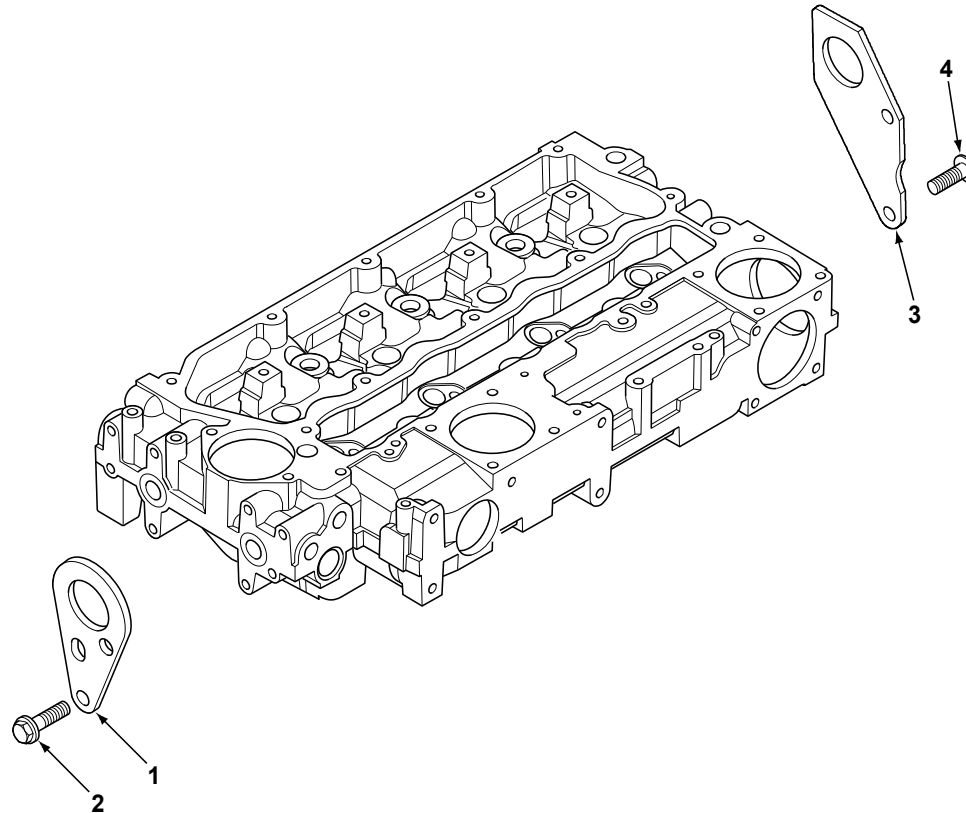
C-21013-22.1-A



<b>Item</b>	<b>Part No.</b>	<b>Qty.</b>	<b>English</b>	<b>French</b>	<b>German</b>	<b>Spanish</b>	<b>Remarks</b>
1	2666A016	4	Plug - Glow	Vis De Fermeture	Verschlusschraube	Enchufe	
2	3161C015	1	Bar	Barre	Stab	Barra	



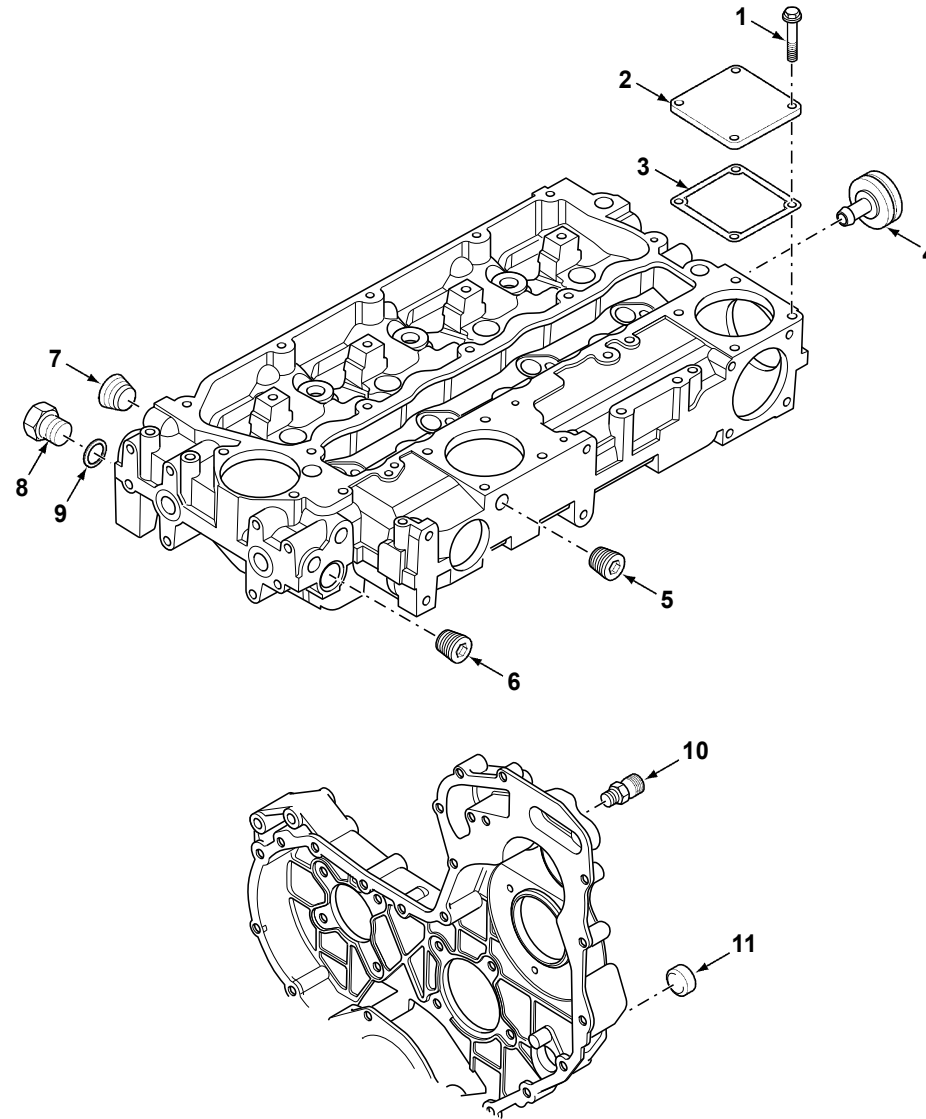
C-21013-23.1-A



<b>Item</b>	<b>Part No.</b>	<b>Qty.</b>	<b>English</b>	<b>French</b>	<b>German</b>	<b>Spanish</b>	<b>Remarks</b>
1	3617A015	1	Bracket - Lifting	Patte Fixation	Halter	Anillo De Elevación	
2	2314J002	2	Screw	Vis	Schraube	Tornillo	
3	3624A016	1	Bracket - Lifting	Patte Fixation	Halter	Anillo De Elevación	
4	2314J002	2	Screw	Vis	Schraube	Tornillo	



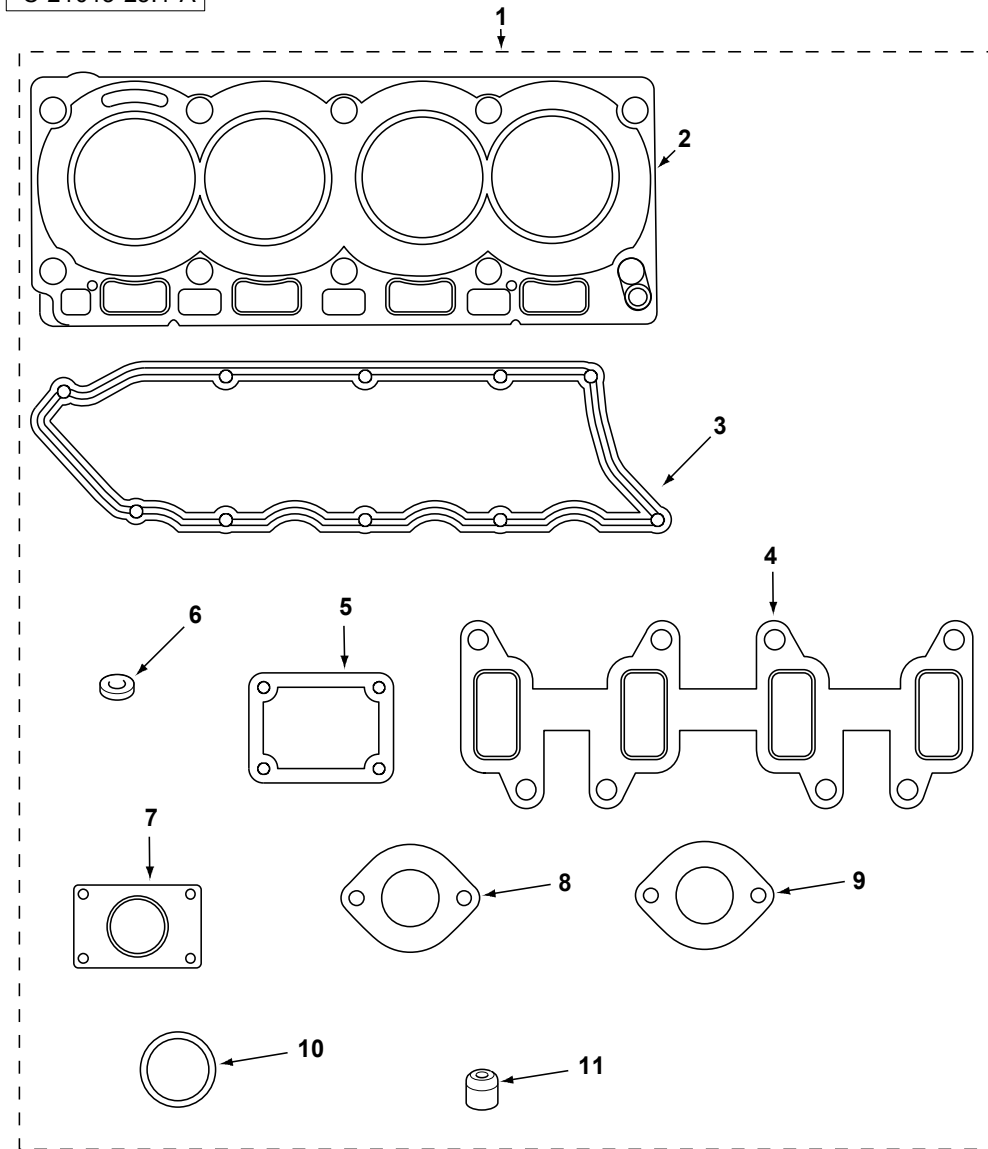
C-21013-24.1-A



Item	Part No.	Qty.	English	French	German	Spanish	Remarks
1	2314H003	12	Hex Bolt - M8 X 20	Goupille	Bolzen	Tornillo	
2	3611M006	3	Plate	Plaque	Platte	Placa	
3	3684N503	3	Joint	Joint Plat	Dichtung	Junta	
4	3347A023	1	Adaptor	Adaptateur	Reduziernippel	Adaptador	
5	2431131	1	Plug	Bouchon	Stopfen	Tapón	
6	2431154	1	Plug	Bouchon	Stopfen	Tapón	
7	2431154	1	Plug	Bouchon	Stopfen	Tapón	
8	3278A006	1	Plug	Bouchon	Stopfen	Tapón	
9	2415H003	1	O - Ring	Joint Torique	O-Ring	Junta De Tipo O	
10	33552414	1	Connector - Heater Water Feed/Return	Connecteur	Steckverbindung	Adaptador	
11	2485A118	1	Plug - Cup	Bouchon Mâle, Obturation	Verschlussstopfen	Tapón De Bloqueo	



C-21013-25.1-A

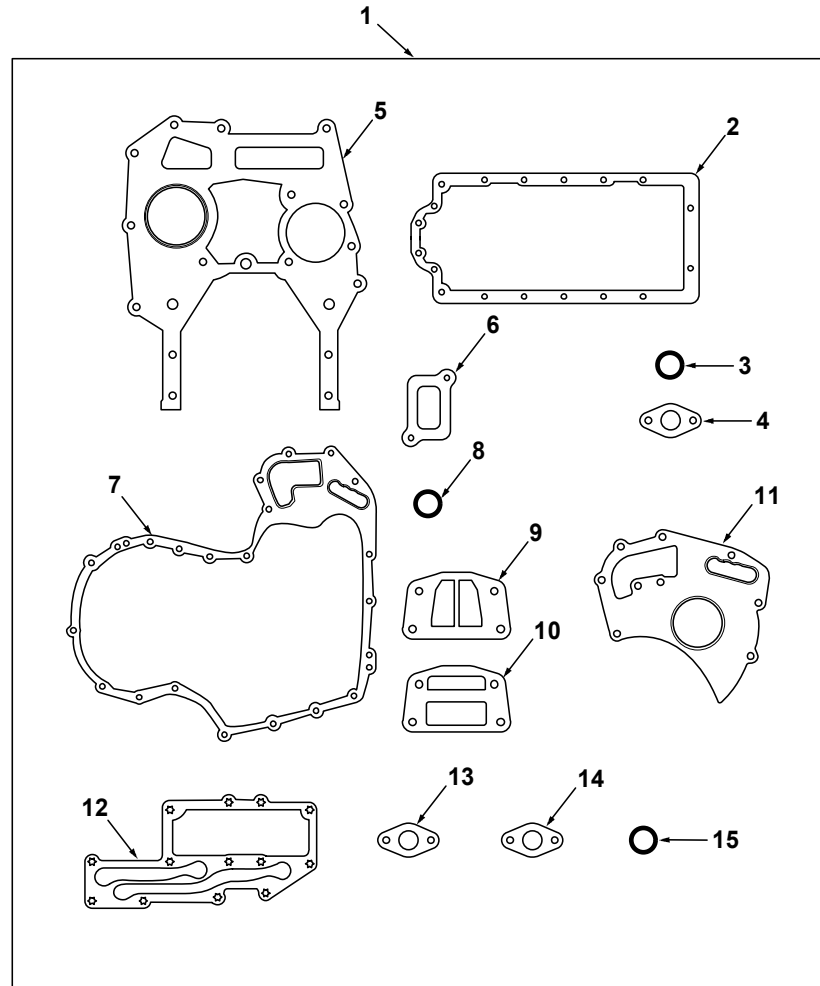




Item	Part No.	Qty.	English	French	German	Spanish	Remarks
1	U5LT0350	1	Kit - Top Joint & Gasket	Jeu De Joints	Dichtungs,Satz	Juego Juntas/Empaq.	
2	3681E046	1	Gasket - Cylinder Head	Joint De Culasse	Dichtung, Zylinderko	Junta De Culata	
3	3681A055	1	Joint - Rocker Cover	Joint	Dichtring	Junta	
4	3681V512	1	Joint - Exhaust Manifold	Joint	Dichtring	Junta	
5	3684N503	1	Joint	Joint Plat	Dichtung	Junta	
6	L311FF02	4	Seal - Fuel Inj. Nozzle	Rondelle	Scheibe	Arandela	Injector
7	3688A029	1	Joint - Turbo To Manifold	Joint	Dichtung	Articulación	
8	3688A035	1	Joint	Joint Plat	Dichtung	Articulación	
9	3688A036	1	Joint	Joint Plat	Dichtung	Articulación	
10	2415H008	1	O - Ring	Joint Torique	O-Ring	Junta De Tipo O	
11	2418M514	8	Valve Stem Seal	Jeu Etancheite	Dichtringsatz	Anillo, Estanqueidad	



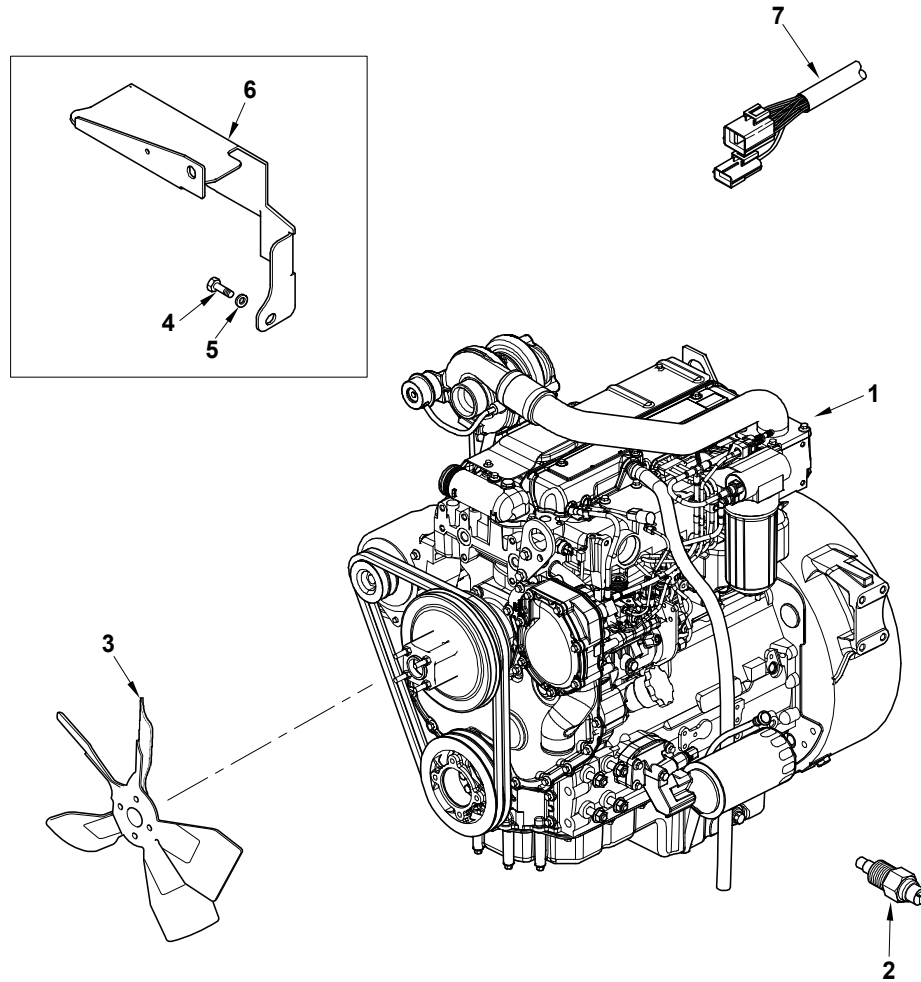
C-21013-26.1-A



Item	Part No.	Qty.	English	French	German	Spanish	Remarks
1	U5LB0376	1	Kit - Bottom Joint And Gasket	U5lb0376	Dichtungssatz	Juego Juntas/Empaq.	
2	3681K037	1	Joint - Sump	Joint	Dichtring	Junta	
3	2415715	1	O-Ring - Sump Plug	Joint Torique	O-Ring	Junta De Tipo O	
4	36832137	1	Joint, Turbo Lub. Oil Drain Pipe	Articulation	Dichtring	Articulación	
5	3617V015	1	Joint - Timing Case	Articulation	Verbindung, Gelenk	Articulación	
6	3617V016	1	Joint - Timing Case	Articulation	Verbindung, Gelenk	Articulación	
7	3681P046	1	Joint - Timing Case Cover	Articulation	Verbindung, Gelenk	Articulación	
8	26420318	1	O-Ring	Joint Torique	O-Ring	Junta De Tipo O	
9	3688A041	1	Joint	Joint Plat	Dichtung	Articulación	
10	3688A039	1	Joint	Joint Plat	Dichtung	Articulación	
11	3682A011	1	Joint - Water Pump	Joint Plat	Dichtung	Articulación	
12	3688A035	1	Joint	Joint Plat	Dichtung	Articulación	
13	3685A024	1	Joint	Joint Plat	Dichtung	Articulación	
14	3685A025	1	Joint	Joint Plat	Dichtung	Junta	
15	2415787	1	O - Ring	Joint Torique	O-Ring	Junta De Tipo O	



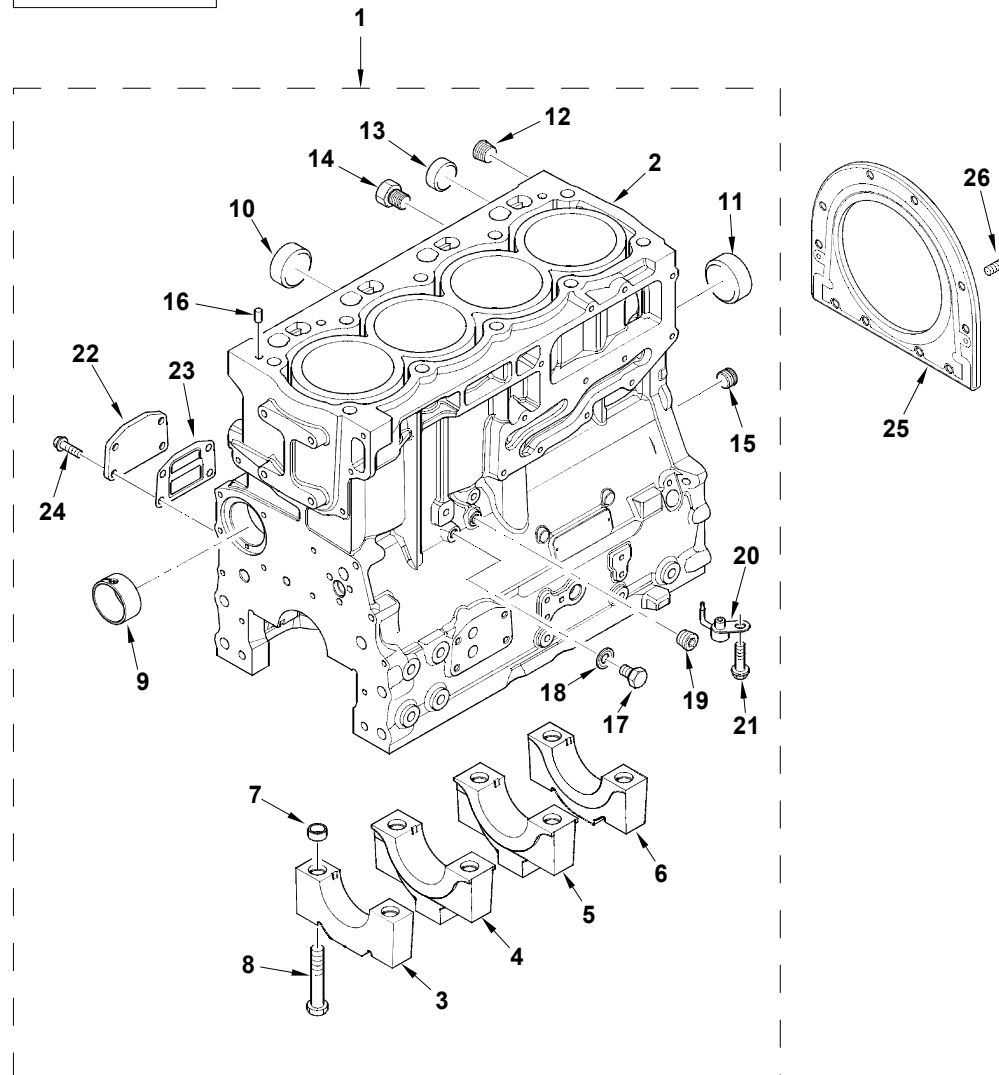
C-21015-01.1-A



Item	Part No.	Qty.	English	French	German	Spanish	Remarks
1	6112038M91	1	Engine T3 100hp A/C NI38925	Ensemble De Moteur Thermique	Dieselmotor Kpl.	Motor Térmico, Conj.	
2	6110563M91	1	Water Temperature Sender / Switch	Capteur	Sensor	Captador	
3	6110111M91	1	Fan 20"	Ventilateur	Lüfter	Ventilador	
4	3009491X1	1	Bolt M10 X 20	Boulon	Maschschraube M10	Tornillo	
5	390734X1	2	Washer M10-21-2 Z	Rondelle - M10	Unterlegscheibe	Arandela	
6	6114846M91	1	Alternator Guard Assy.	Garde	Schutzvorr	Defensa	
7	339269X1	1	Bolt	Boulon	Bolzen	Perno	
8	6112296M91	1	Wire Harness	Faisceau Electrique	Kabelbaum	Kabelbaum	



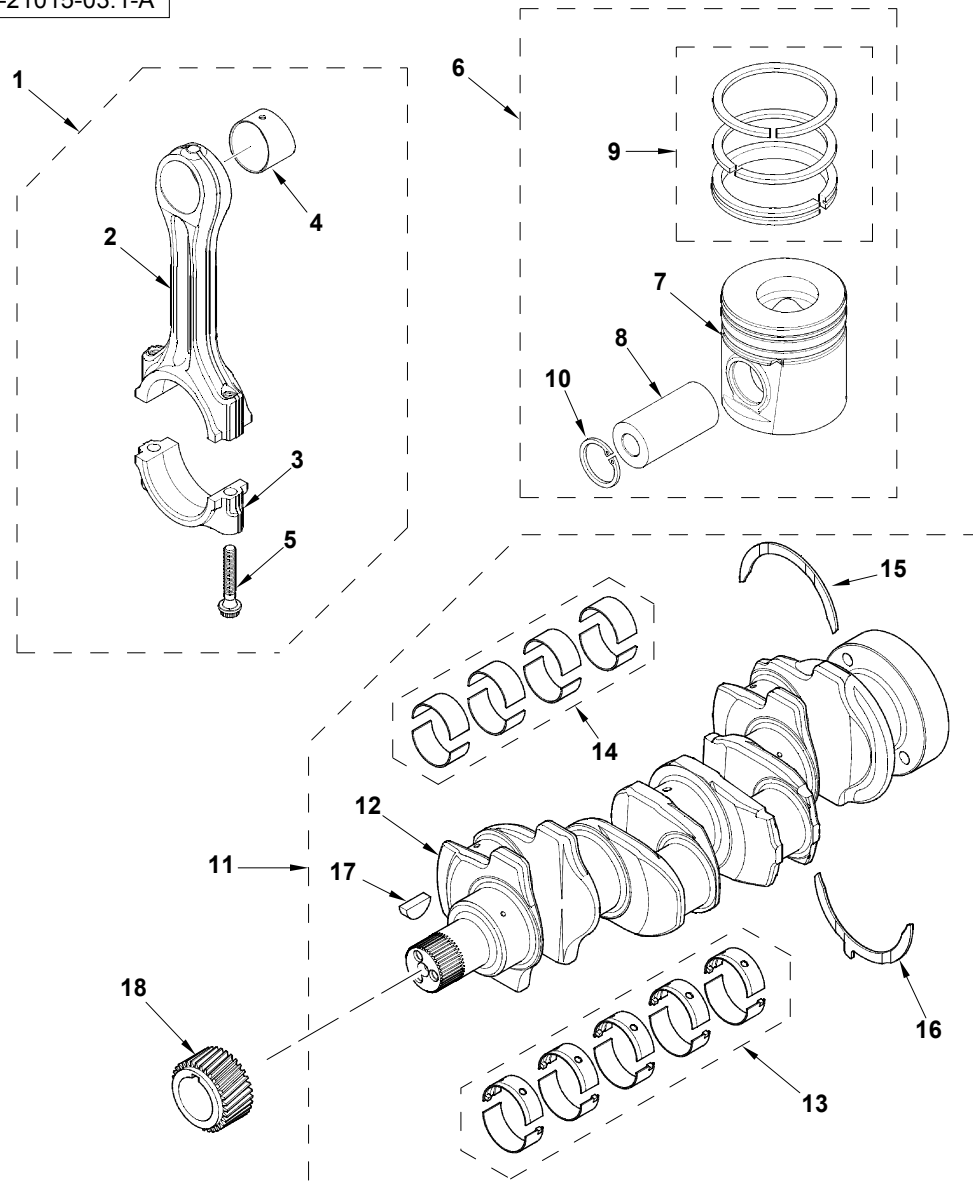
C-21015-02.1-A



Item	Part No.	Qty.	English	French	German	Spanish	Remarks
1	#BLOCK, CYLINDER	1	Block, Cylinder	Block, Cylinder	Block, Cylinder	Block, Cylinder	
2	#BLOCK, CYLINDER	1	Block, Cylinder	Block, Cylinder	Block, Cylinder	Block, Cylinder	Ref. 1
3	#BEARING, SUPPORT	1	Bearing, Support	Bearing, Support	Bearing, Support	Bearing, Support	Ref. 1
4	#BEARING, SUPPORT	2	Bearing, Support	Bearing, Support	Bearing, Support	Bearing, Support	Ref. 1
5	#BEARING, SUPPORT	1	Bearing, Support	Bearing, Support	Bearing, Support	Bearing, Support	Ref. 1
6	#BEARING, SUPPORT	1	Bearing, Support	Bearing, Support	Bearing, Support	Bearing, Support	Ref. 1
7	33142111	10	Thimble	Cosse	Muffe	Anillo De Centrado	
8	32166329	10	Screw	Vis	Schraube	Tornillo	
9	3112D071	1	Bush - Camshaft	Bouille	Büchse	Casquillo	
10	3241A011	2	Plug	Bouchon	Stopfen	Tapón	
11	3241A012	1	Plug	Bouchon	Stopfen	Tapón	
12	0650588	1	Plug	Bouchon	Stopfen	Tapon	
13	0650710	1	Core Plug	Bouchon	Stopfen	Tapon	
14	32141316	2	Plug	Bouchon	Stopfen	Tapón	
15	3212P008	1	Plug	Bouchon	Stopfen	Tapón	
16	3244A009	2	Dowel	Plot	Zylinderstift	Peón	
17	2314C049	1	Screw	Vis	Schraube	Tornillo	
18	2415D053	1	Washer	Rondelle	Scheibe	Arandela	
19	0650594	1	Plug	Bouchon	Stopfen	Tapon	
20	2113A003	4	Piston : Cooling Jet	Gicleur	Spritzduse	Surtidor	
21	2314F001	4	Screw	Vis	Schraube	Tornillo	
22	3623A009	1	Plate - Blanking	Plaque	Platte	Placa	
23	3688A039	1	Joint	Joint Plat	Dichtung	Articulación	
24	2314H033	4	Screw	Vis	Schraube	Tornillo	
25	2418F704	1	Housing - Rear Oil Seal	Carter	Gehäuse	Cárter	
26	3211C002	10	Bolt - Metric	Goupille	Bolzen	Perno	



C-21015-03.1-A

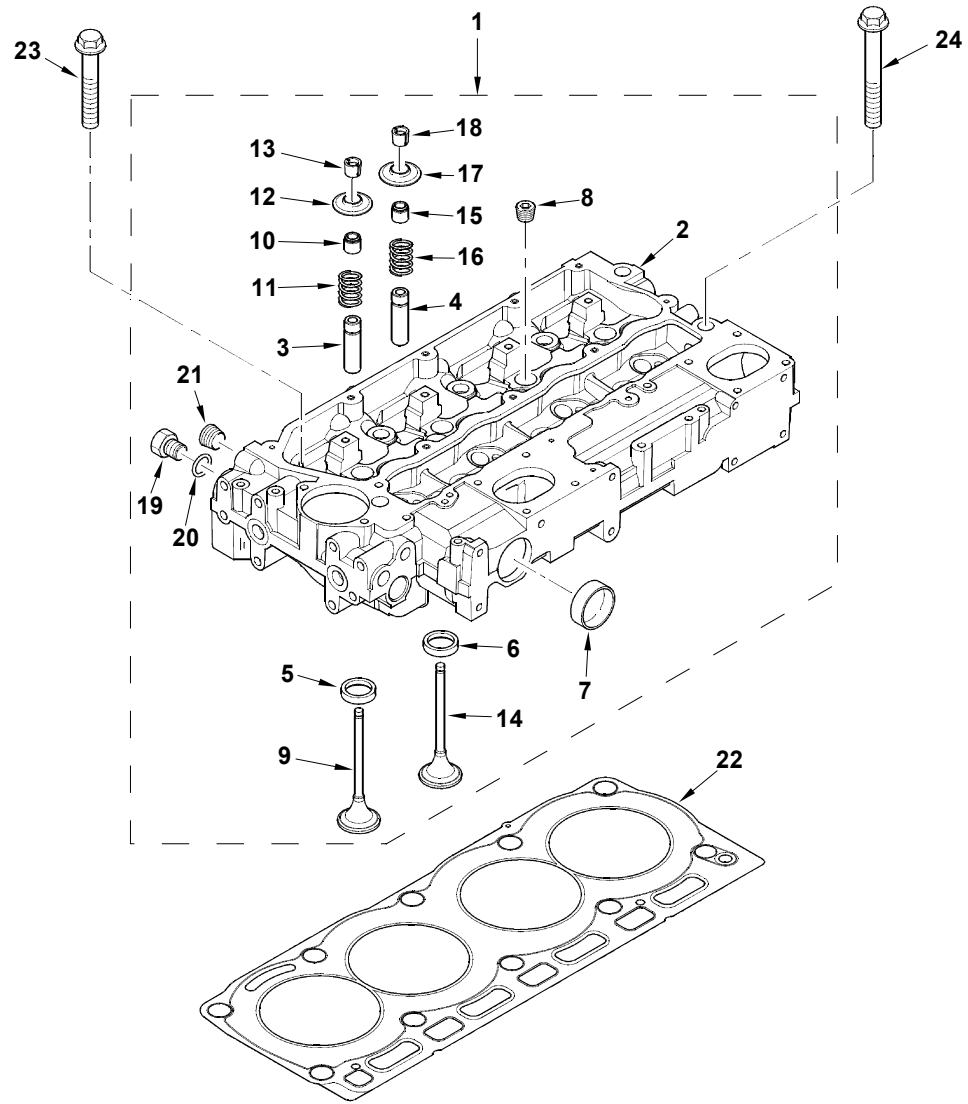




Item	Part No.	Qty.	English	French	German	Spanish	Remarks
1	4115C312	4	Conrod Kit - Grade 'g' (Orange)	Ensemble De Bielle	Pleuelstange Kpl.	Biela, Conj.	
1	4115C311	4	Conrod Kit - Grade 'f' (Red)	Ensemble De Bielle	Pleuelstange Kpl.	Biela, Conj.	
1	4115C313	4	Conrod Kit - Grade 'h' (White)	Ensemble De Bielle	Pleuelstange Kpl.	Biela, Conj.	
1	4115C314	4	Conrod Kit - Grade 'j' (Green)	Ensemble De Bielle	Pleuelstange Kpl.	Biela, Conj.	
1	4115C315	4	Conrod Kit - Grade 'k' (Purple)	Ensemble De Bielle	Pleuelstange Kpl.	Biela, Conj.	
1	4115C316	4	Conrod Kit - Grade 'l' (Blue)	Ensemble De Bielle	Pleuelstange Kpl.	Biela, Conj.	
2	#ROD, CONNECTING	1	Rod, Connecting	Rod, Connecting	Rod, Connecting	Rod, Connecting	Ref. 1
3	#CAP	1	Cap	Chapeau	Kappe	Tapa	Ref. 1
4	3112A005	1	Bush - Small End	Douille	Büchse	Casquillo	
5	3212V003	2	Bolt - Con Rod	Goupille	Bolzen	Perno	
6	U5PR0062	4	Kit - Piston And Ring	Kit - Piston And Ring	Kit - Piston And Ring	Kit - Piston And Ring	
7	#PISTON	1	Piston	Piston	Piston	Piston	Ref. 6
8	#PIN	1	Pin	Goupille	Bolzen	Pasador	Ref. 6
9	UPRK0005	1	Kit - Piston Ring	Kit - Piston Ring	Kit - Piston Ring	Kit - Piston Ring	
10	2721332	2	Circlip - Gudgeon Pin	Segment D' Arrêt	Sicherungsring	Circlip	
11	ZZ90222	1	Kit - Crankshaft	Ensemble Vilebrequin	Kurbelwelle Kpl.	Cigüeñal, Conj.	
12	#CRANKSHAFT	1	Crankshaft	Crankshaft	Crankshaft	Crankshaft	Ref. 11
13	U5MB0018A	1	Kit - Main Bearing (+)0.010"	Jeu Coussinets	Lagersatz	Cojinete De Palier	
13	U5MB0018	1	Kit - Main Bearing (Standard)	Jeu Coussinets	Lagersatz	Cojinete De Palier	
13	U5MB0018B	1	Kit - Main Bearing (+)0.020"	Jeu Coussinets	Lagersatz	Cojinete De Palier	
13	U5MB0018C	1	Kit - Main Bearing (+)0.030"	Jeu Coussinets	Lagersatz	Cojinete De Palier	
14	U5ME0026	1	Kit - Big End Bearing	Jeu Coussinets	Lagersatz	Juego Cojinetes	
15	31137551	2	Thrust Washer	Rondelle De Butée	Druckscheibe	Calce	
16	31137561	2	Washer - Thrust	Rondelle Butee	Druckscheibe	Calce	
17	0500012	1	Key - Woodruff	Clavette Demi-Lune	Scheibenfeder	Chaveta Media-Luna	
18	3117C221	1	Gear - Crankshaft	Pignon	Zahnrad	Piñón	

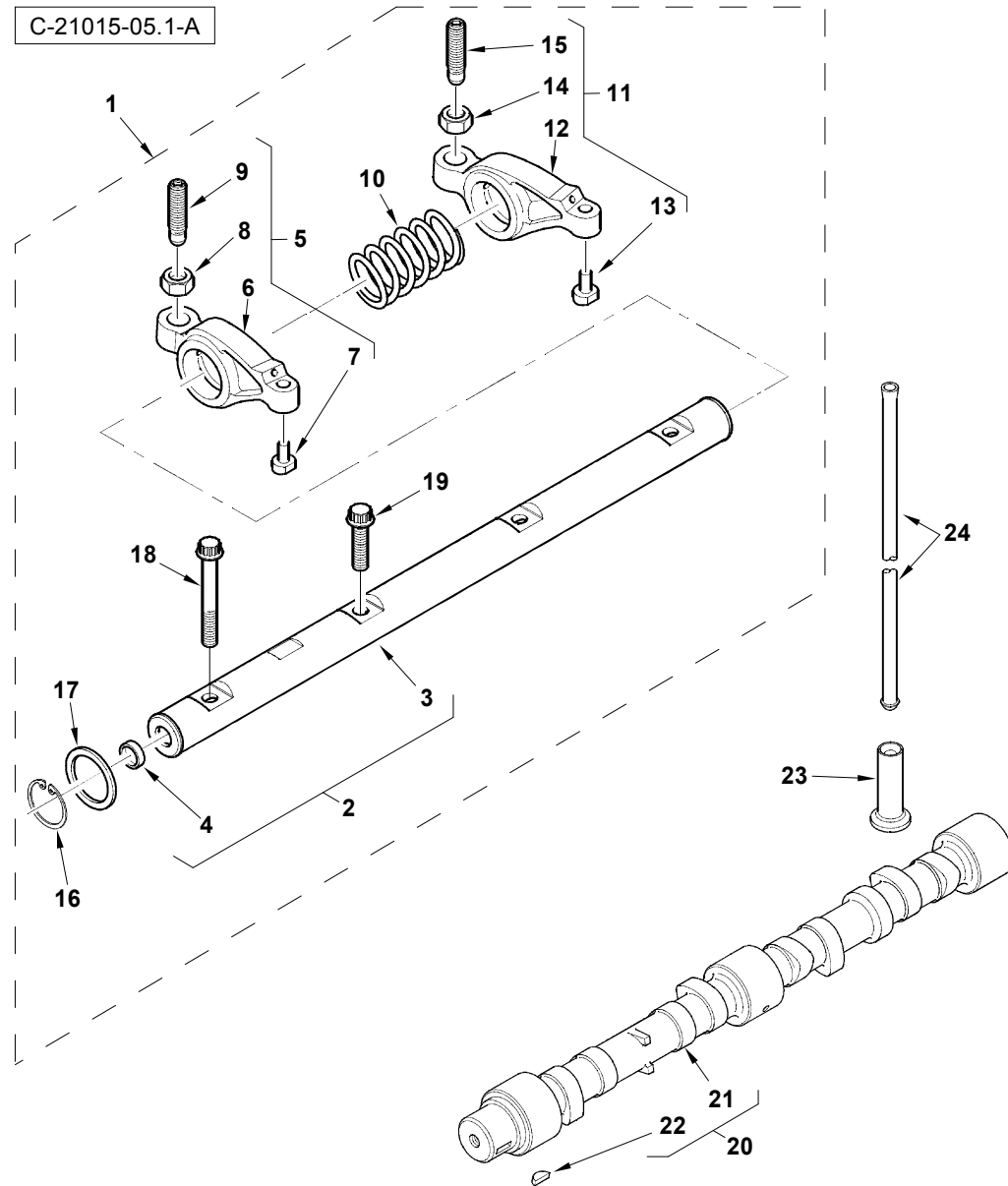


C-21015-04.1-A



Item	Part No.	Qty.	English	French	German	Spanish	Remarks
1	ZZ80280	1	Cylinder Head Assembly	Cylinder Head Assembly	Cylinder Head Assembly	Cylinder Head Assembly	
2	#HEAD, CYLINDER	1	Head, Cylinder	Head, Cylinder	Head, Cylinder	Head, Cylinder	Ref. 1
3	3313A012	4	Guide	Guide	Führung	Guía	
4	3313A012	4	Guide	Guide	Führung	Guía	
5	3314A221	4	Insert - Valve Seat	Insert - Valve Seat	Insert - Valve Seat	Insert - Valve Seat	
6	3314A231	4	Insert - Valve Seat	Douille	Einstazstück	Insercion	
7	32416117	2	Plug	Bouchon	Stopfen	Tapón	
8	0650588	4	Plug	Bouchon	Stopfen	Tapón	
9	3142H101	4	Valve - Intake	Valve - Intake	Valve - Intake	Valve - Intake	
10	2418M519	4	Seal - Valve Stem	Seal - Valve Stem	Seal - Valve Stem	Seal - Valve Stem	Green
11	3174A031	4	Spring - Valve	Spring - Valve	Spring - Valve	Spring - Valve	
12	3342A021	4	Cap	Cap	Cap	Cap	
13	2714A002	8	Collet - Valve	Collet - Valve	Collet - Valve	Collet - Valve	
14	3142A171	4	Valve - Exhaust	Valve - Exhaust	Valve - Exhaust	Valve - Exhaust	
15	2418M517	4	Seal - Valve Stem	Seal - Valve Stem	Seal - Valve Stem	Seal - Valve Stem	Brown
16	3174A031	4	Spring - Valve	Spring - Valve	Spring - Valve	Spring - Valve	
17	3342A021	4	Cap	Cap	Cap	Cap	
18	2714A002	8	Collet - Valve	Collet - Valve	Collet - Valve	Collet - Valve	
19	3278A006	1	Plug	Bouchon	Stopfen	Tapón	
20	2415H003	1	O - Ring	Joint Torique	O-Ring	Junta De Tipo O	
21	2431154	2	Plug	Bouchon	Stopfen	Tapón	
22	3681E051	1	Head Gasket	Joint	Dichtring	Junta	
23	3218A011	7	Screw	Vis	Schraube	Perno	
24	3218A012	3	Screw	Vis	Schraube	Perno	

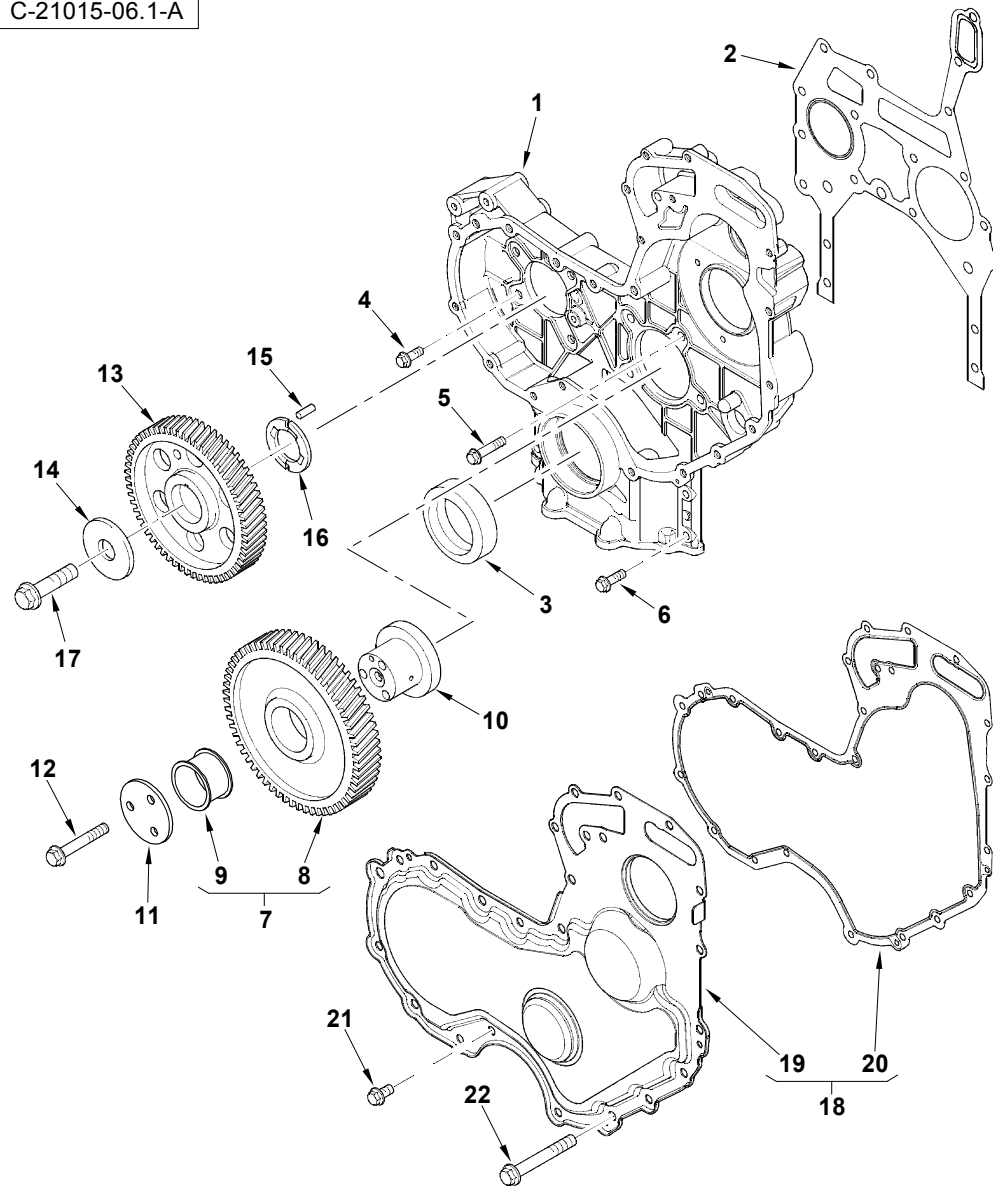




Item	Part No.	Qty.	English	French	German	Spanish	Remarks
1	4115R613	1	Rocker Shaft Assembly	Rocker Shaft Assembly	Rocker Shaft Assembly	Rocker Shaft Assembly	
2	4115R703	1	Rocker Shaft Assembly	Arbre Culbuteurs	Schwinghuelle	Árbol, Conj.	
3	#SHAFT	1	Shaft	Shaft	Shaft	Shaft	Ref. 2
4	2485A104	2	Plug	Bouchon	Stopfen	Tapón	
5	4115R319	4	Lever - Rocker	Lever - Rocker	Lever - Rocker	Lever - Rocker	
6	#LEVER	1	Lever	Lever	Lever	Lever	Ref. 5
7	#PAD	1	Pad	Pad	Pad	Pad	Ref. 5
8	3331A006	1	Nut	Nut	Nut	Nut	
9	3211C004	1	Screw	Screw	Screw	Screw	
10	3174A015	3	Spring - Rocker Shaft	Siège De Ressort	Federsitz	Muelle	
11	4115R318	4	Lever - Rocker	Lever - Rocker	Lever - Rocker	Lever - Rocker	
12	#LEVER	1	Lever	Lever	Lever	Lever	Ref. 11
13	#PAD	1	Pad	Pad	Pad	Pad	Ref. 11
14	3331A006	1	Nut	Nut	Nut	Nut	
15	3211C004	1	Screw	Screw	Screw	Screw	
16	2722A022	2	Circlip	Segment D'Arrêt	Sicherungsring	Circlip	
17	2134A502	2	Washer	Rondelle	Scheibe	Arandela	
18	2316A901	1	Screw	Vis	Schraube	Tornillo	
19	2316A902	3	Screw	Vis	Schraube	Tornillo	
20	4112K032	1	Camshaft	Camshaft	Camshaft	Camshaft	
21	#SHAFT	1	Shaft	Shaft	Shaft	Shaft	Ref. 20
22	0500012	1	Key - Woodruff	Clavette Demi-Lune	Scheibenfeder	Chaveta Media-Luna	
23	3142U061	8	Tappet	Tappet	Tappet	Tappet	
24	3142V011	8	Pushrod	Pushrod	Pushrod	Pushrod	

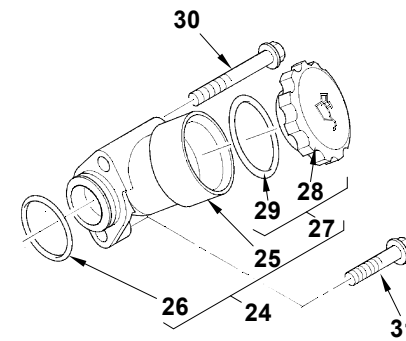
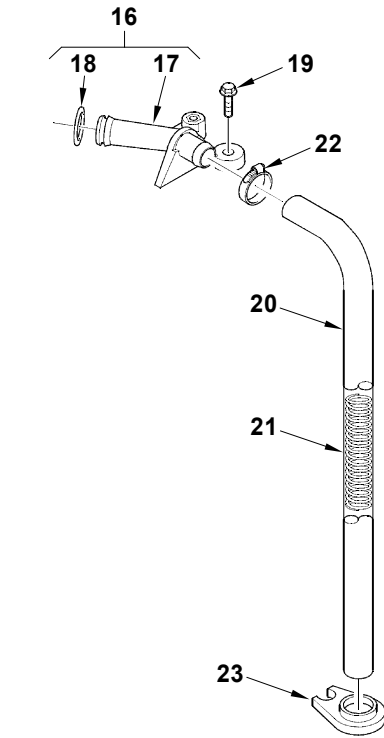
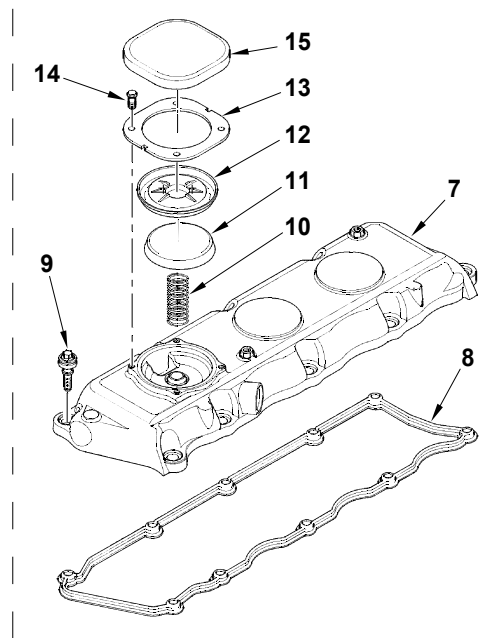
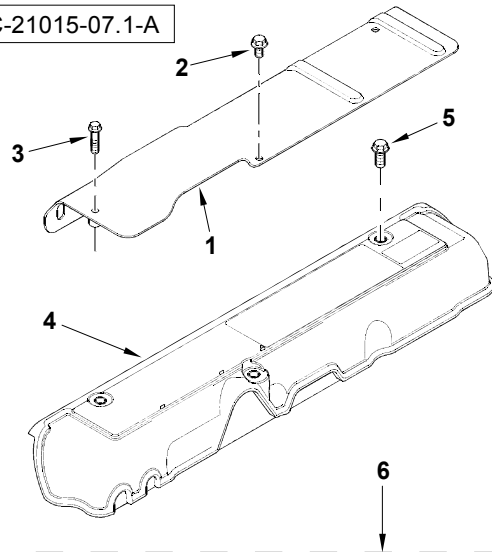


C-21015-06.1-A



Item	Part No.	Qty.	English	French	German	Spanish	Remarks
1	3716C561	1	Case - Timing	Case - Timing	Case - Timing	Case - Timing	
2	3681P053	1	Gasket	Joint	Dichtscheibe	Empaquetadura	
3	2418F437	1	Oil Seal - Timing Cover	Bague Etancheite	Oldichtring	Buje Retenacsite	
4	2314H003	6	Hex Bolt - M8 X 20	Goupille	Bolzen	Tornillo	
5	2314H006	2	Screw	Goupille	Bolzen	Tornillo	
6	2314H034	4	Screw	Vis	Schraube	Tornillo	
7	4111A034	1	Gear - Idler	Pignon Tension	Zwischenrad	Engranaje	
8	#GEAR	1	Gear	Gear	Gear	Gear	Ref. 7
9	#BUSHING	1	Bushing	Douille	Busche	Boccola	Ref. 7
10	3311A054	1	Hub	Hub	Hub	Hub	
11	3241A025	1	Plate	Plate	Plate	Plate	
12	2314J011	3	Bolt	Goupille	Bolzen	Tornillo	
13	3117N001	1	Gear - Camshaft	Pignon	Zahnrad	Piñón	
14	3321A003	1	Washer	Rondelle	Scheibe	Arandela	
15	2116053	1	Dowel	Plot	Zylinderstift	Peón	
16	3112X011	1	Washer - Thrust	Rondelle De Butée	Druckscheibe	Arandela De Tope	
17	2314J606	1	Camshaft Bolt	Vis	Schraube	Tornillo	
18	4142A503	1	Kit - Front Cover	Jeu Couvercle	Deckel Satz	Kit - Front Cover	
19	#COVER	1	Cover	Cover	Cover	Cover	Ref. 18
20	3681P046	1	Joint - Timing Case Cover	Articulation	Verbindung, Gelenk	Articulación	
21	2314H002	10	Screw	Vis	Schraube	Tornillo	
22	2314H012	5	Screw	Vis	Schraube	Tornillo	

C-21015-07.1-A

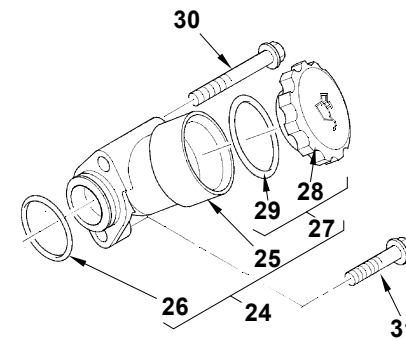
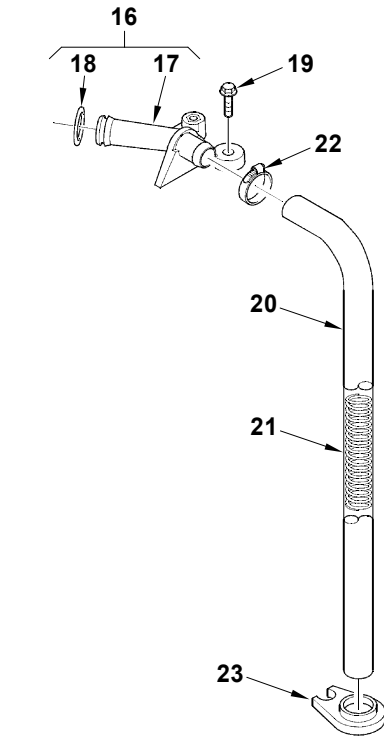
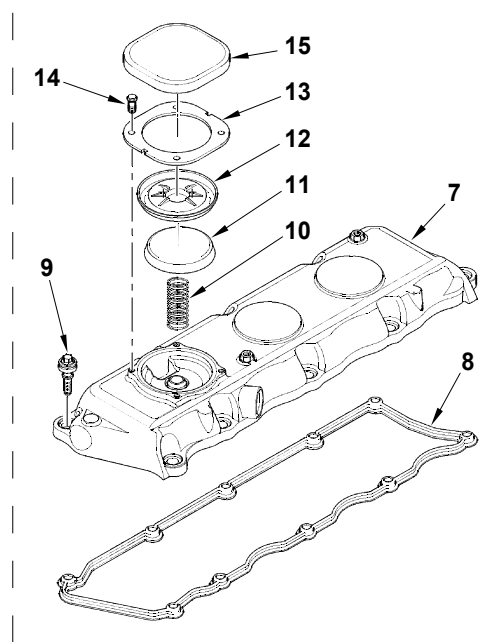
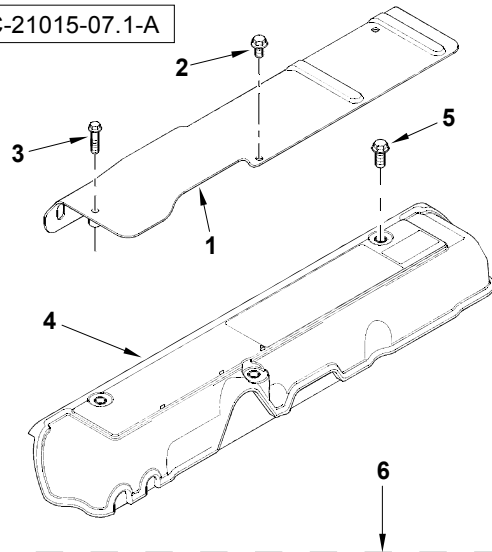




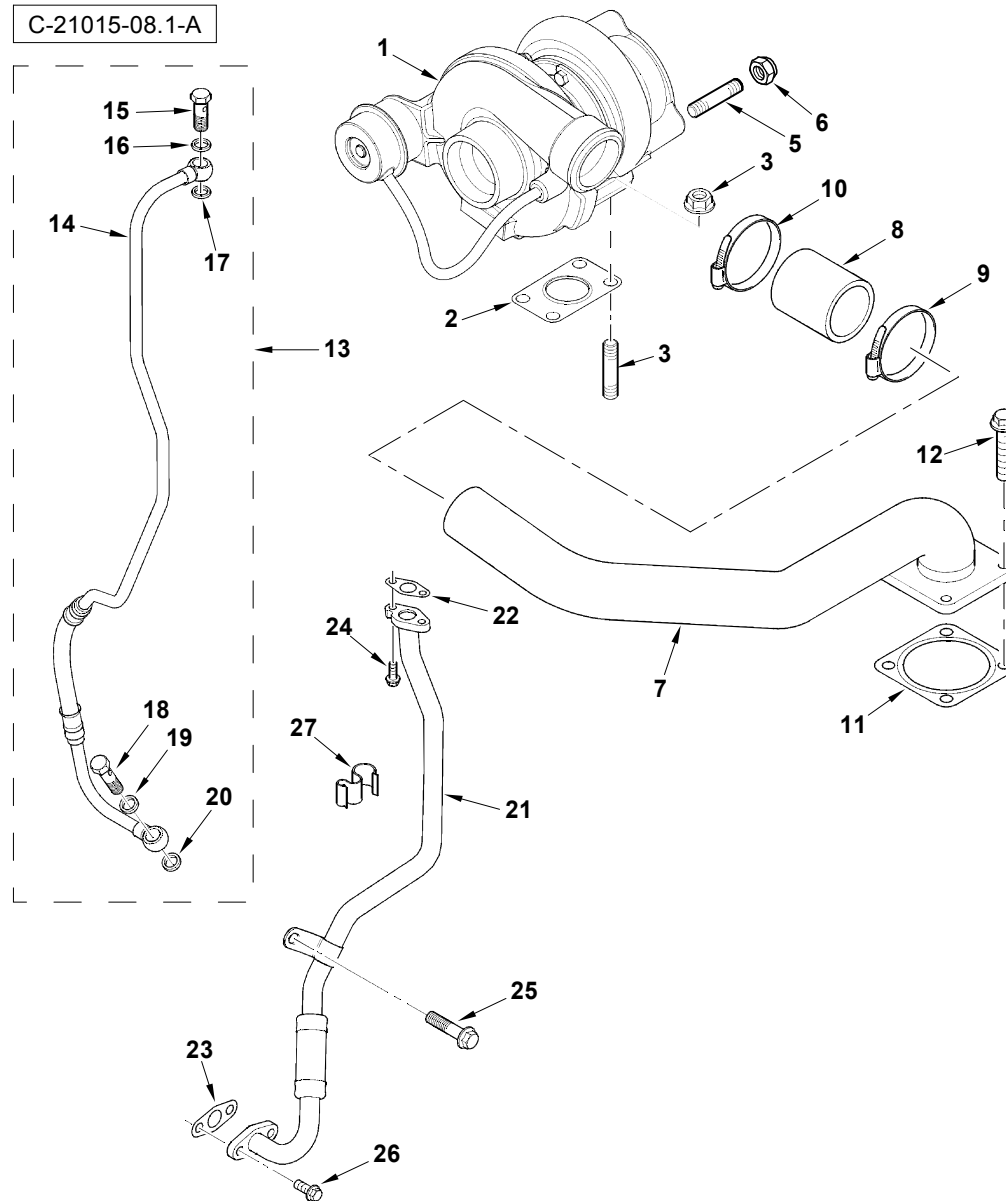
Item	Part No.	Qty.	English	French	German	Spanish	Remarks
1	3812A026	1	Heatshield	Garant Thermique	Hitzeschutz	Pantalla Térmica	
2	2314F001	2	Screw	Vis	Schraube	Tornillo	
3	2314F006	1	Screw	Vis	Schraube	Tornillo	
4	3788N003	1	Cover	Couvercle	Deckel	Cover	
5	2314F003	3	Screw	Vis	Schraube	Tornillo	
6	4142X325	1	Cover - Cylinder Head Assembly	Cover - Cylinder Head Assembly	Cover - Cylinder Head Assembly	Cover - Cylinder Head Assembly	
7	#COVER	1	Cover	Cover	Cover	Cover	Ref. 6
8	3681A055	1	Joint - Rocker Cover	Joint	Dichtring	Junta	
9	#SCREW	10	Screw	Vis	Schraube	Tornillo	Ref. 6
10	3174A017	1	Spring	Siège De Ressort	Federsitz	Muelle	
11	3788A002	1	Filler Cap	Capuchon	Wetterkappe	Sombrerete	
12	3789A001	1	Diaphragm	Diaphragme	Membran	Diafragma	
13	3615A009	1	Plate - Cover	Plaque De Fermeture	Verschlussplatte	Placa De Cierre	
14	2151A001	4	Screw	Vis	Schraube	Tornillo	
15	3788A003	1	Cap	Capuchon	Wetterkappe	Sombrerete	
16	4133J011	1	Pipe - Breather	Pipe - Breather	Pipe - Breather	Pipe - Breather	
17	#PIPE	1	Pipe	Pipe	Pipe	Pipe	Ref. 16
18	2415A068	1	O - Ring	Joint Torique	O-Ring	Junta De Tipo O	
19	2314F005	1	Screw (Pack Of 10)	Vis	Schraube	Tornillo	
20	33872632	1	Hose	Flexible	Schlauch	Tubo Flexible	
21	3175P003	1	Spring, Eng. Breather Hose Reinf.	Siège De Ressort	Federsitz	Muelle	
22	2481877	1	Hose Clip	Bride Pour Tutaux	Schlauchschelle	Argolla De Cierre	
23	36241123	1	Support Bracket	Patte Fixation	Halter	Pata De Fijación	
24	4134C043	1	Lubricating Oil Filler	Rempliss.Huile	Einfullstutzen	Rellenador	
25	#BODY	1	Body	Body	Body	Body	Ref. 24
26	2415B148	1	O - Ring	Joint Torique	O-Ring	Junta De Tipo O	
27	4142X098	1	Oil Filler Cap Assy	Capuchon	Wetterkappe	Casco	
28	#CAP	1	Cap	Chapeau	Kappe	Tapa	Ref. 27
29	2415633	1	Seal - Cap	Joint Torique	O-Ring	Junta De Tipo O	
30	2314K161	1	Screw	Vis	Schraube	Tornillo	



C-21015-07.1-A



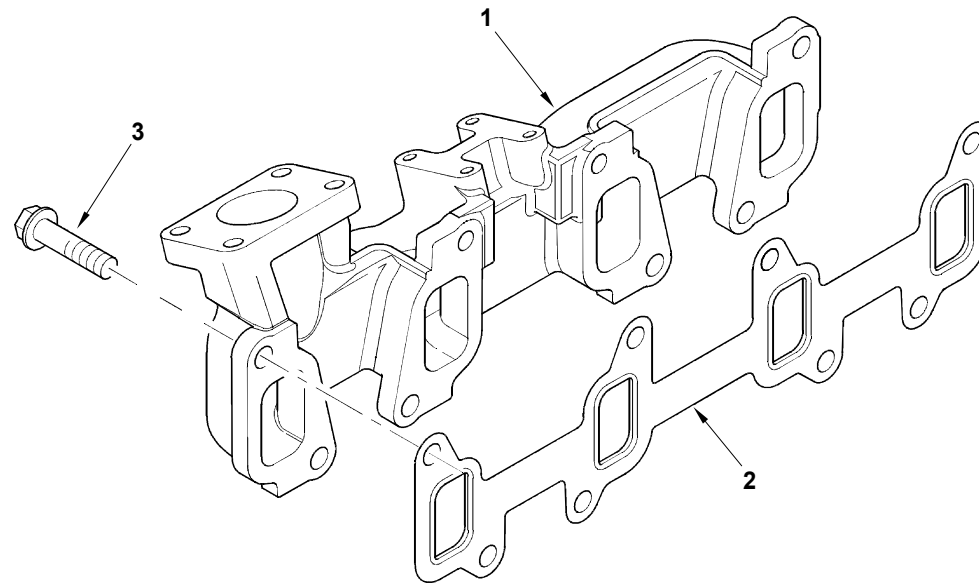
<b>Item</b>	<b>Part No.</b>	<b>Qty.</b>	<b>English</b>	<b>French</b>	<b>German</b>	<b>Spanish</b>	<b>Remarks</b>
31	2314H005	1	Screw	Vis	Schraube	Tornillo	



Item	Part No.	Qty.	English	French	German	Spanish	Remarks
1	2674A845	1	Turbocharger	Turbocompresseur	Turbolader	Turboalimentacio	
2	3688A029	1	Joint - Turbo To Manifold	Joint	Dichtung	Articulación	
3	2313M377	4	Stud	Stud	Stud	Stud	
4	2318A634	4	M10 X 1.5 Full Nut Grd 8 Phosphate	Ecrou	Mutter	Tuerca	
5	2313M377	3	Stud	Stud	Stud	Stud	
6	2318A634	3	M10 X 1.5 Full Nut Grd 8 Phosphate	Ecrou	Mutter	Tuerca	
7	3571C072	1	Pipe	Tuyau	Rohr	Tube, Conj.	
8	3383A041	1	Hose	Hose	Hose	Hose	
9	2481D073	1	Clip - Hose	Collier Durit	Schlauchschelle	Clip	
10	2481D073	1	Clip - Hose	Collier Durit	Schlauchschelle	Clip	
11	3688A037	1	Gasket	Joint Plat	Dichtung	Articulación	
12	2314H033	4	Screw	Vis	Schraube	Tornillo	
13	4128A051	1	Pipe - Turbo Oil Feed	Pipe - Turbo Oil Feed	Pipe - Turbo Oil Feed	Pipe - Turbo Oil Feed	
14	#PIPE	1	Pipe	Pipe	Pipe	Pipe	
15	3218R036	1	Bolt - Banjo	Raccord Banjo	Hohlschraube	Perno De Banjo	
16	2131A506	1	Washer	Rondelle	Scheibe	Arandela	
17	2131A506	1	Washer	Rondelle	Scheibe	Arandela	
18	3218R036	1	Bolt - Banjo	Raccord Banjo	Hohlschraube	Perno De Banjo	
19	2131A506	1	Washer	Rondelle	Scheibe	Arandela	
20	2131A506	1	Washer	Rondelle	Scheibe	Arandela	
21	3584A111	1	Pipe - Turbo Oil Drain	Pipe - Turbo Oil Drain	Pipe - Turbo Oil Drain	Pipe - Turbo Oil Drain	
22	3688A035	1	Joint	Joint Plat	Dichtung	Articulación	
23	3688A036	1	Joint	Joint Plat	Dichtung	Articulación	
24	2314F004	2	Bolt	Boulon	Schraube	Perno	
25	2314J029	1	Screw	Vis	Schraube	Tornillo	
26	2314H003	2	Hex Bolt - M8 X 20	Goupille	Bolzen	Tornillo	
27	2481D314	1	Clip	Clip	Klips	Clip	



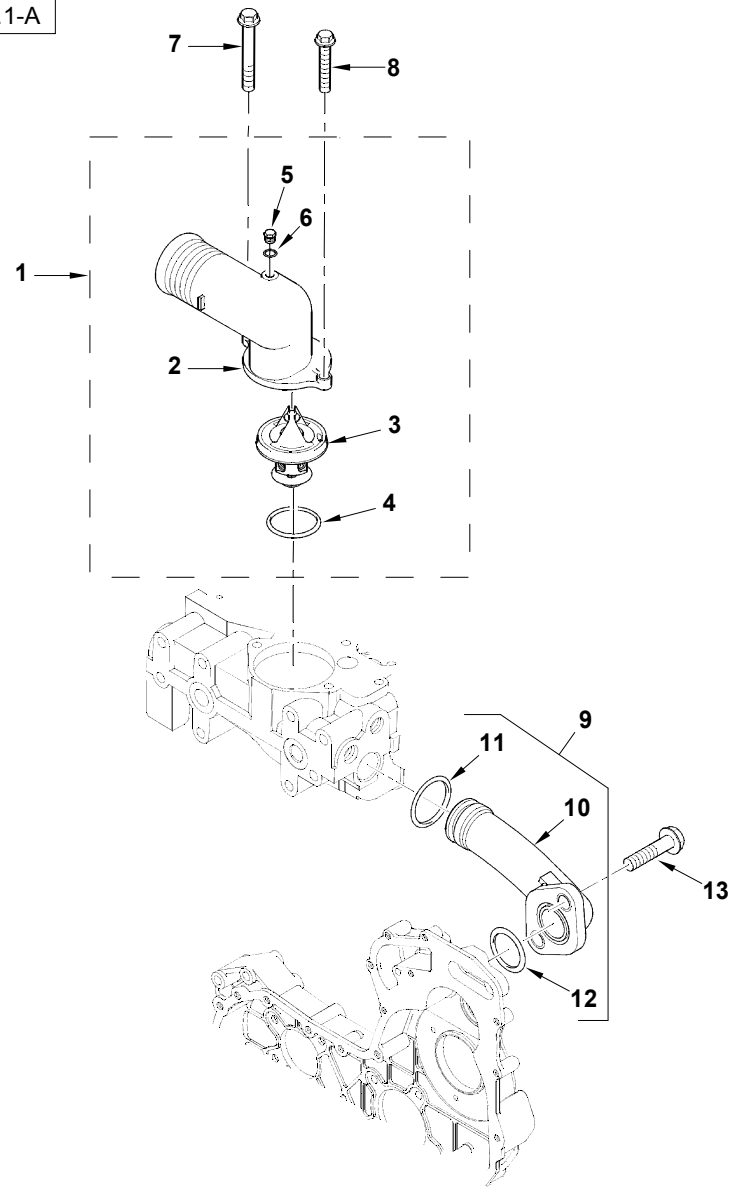
C-21015-09.1-A



<b>Item</b>	<b>Part No.</b>	<b>Qty.</b>	<b>English</b>	<b>French</b>	<b>German</b>	<b>Spanish</b>	<b>Remarks</b>
1	3778E223	1	Manifold - Exhaust	Manifold - Exhaust	Auspuffkrummer	Manifold - Exhaust	
2	3681V512	1	Joint - Exhaust Manifold	Joint	Dichtring	Junta	
3	3218J013	8	Screw	Vis	Schraube	Tornillo	



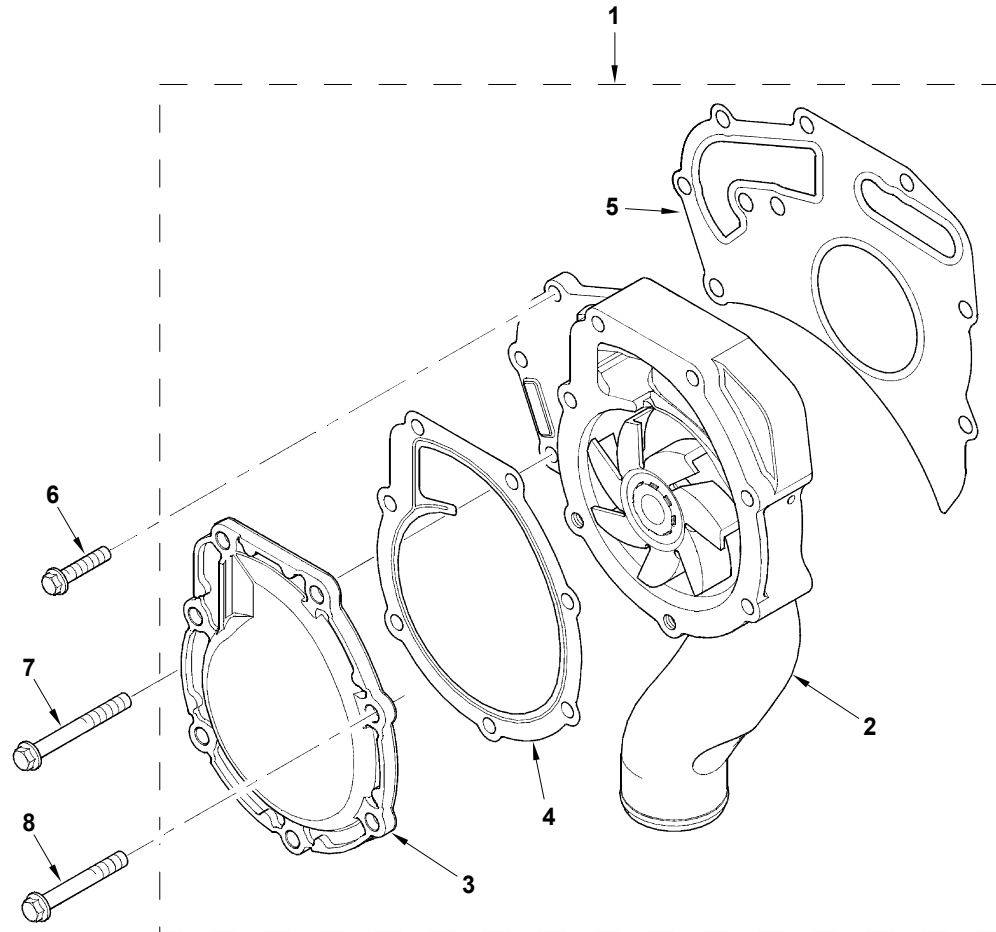
C-21015-10.1-A





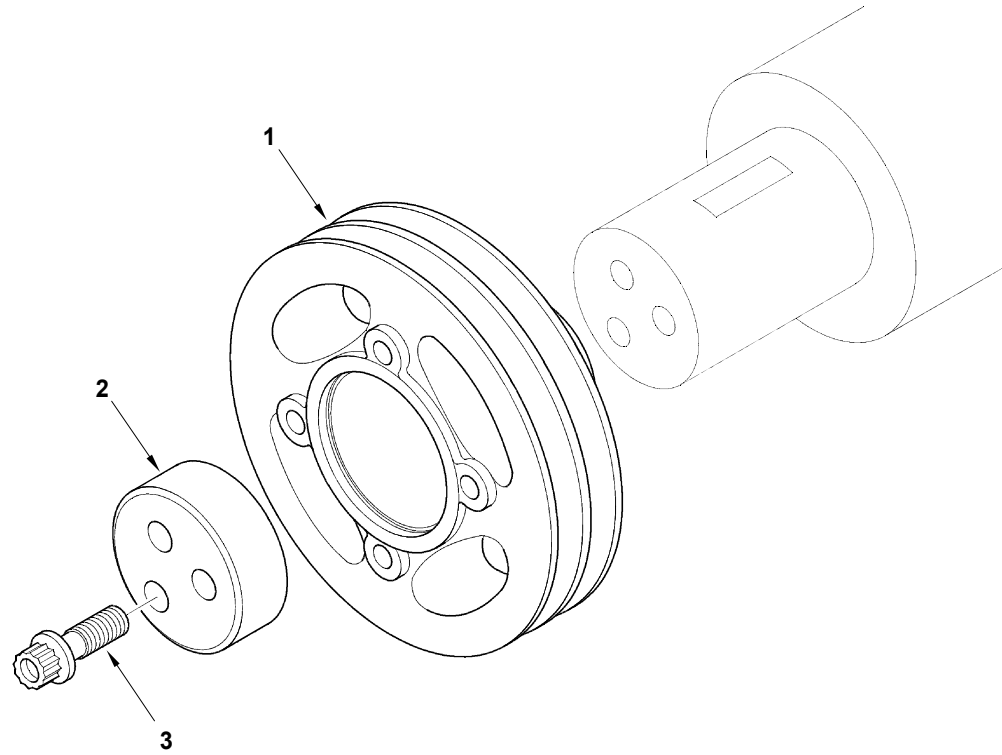
Item	Part No.	Qty.	English	French	German	Spanish	Remarks
1	4133L509	1	Manifold Assy	Thermostat	Thermostat	Termostato	
2	#HOUSING	1	Housing	Carter	Gehäuse	Alojamiento	Ref. 1
3	#THERMOSTAT	1	Thermostat	Thermostat	Thermostat	Thermostat	Ref. 1
4	2415H219	1	Hose Seal	Joint Etancheite	Dichtring	Reten	
5	29990015	1	Plug	Bouchon	Verschstopfen	Plug	
6	29990016	1	O - Ring	Joint Torique	O - Ring	O - Ring	
7	2314H012	1	Screw	Vis	Schraube	Tornillo	
8	2314H004	1	Screw	Vis	Schraube	Tornillo	
9	4133L048	1	Connection	Borne	Doppelnippel	Conexión, Conj.	
10	#CONNECTOR	1	Connector	Connector	Connector	Connector	Ref. 9
11	2418F002	1	O - Ring	Joint Torique	O-Ring	Junta De Tipo O	
12	2418F001	1	O - Ring	Joint Torique	O-Ring	Junta De Tipo O	
13	2314H003	2	Hex Bolt - M8 X 20	Goupille	Bolzen	Tornillo	

C-21015-11.1-A



Item	Part No.	Qty.	English	French	German	Spanish	Remarks
1	U5MW0208	1	Kit - Water Pump	Jeu Pompe A Eau	Wasserpumpensatz	Jgo Bomba Agua	
2	#BODY	1	Body	Body	Body	Body	Ref. 1
3	#COVER	1	Cover	Cover	Cover	Cover	Ref. 1
4	24880234	1	Gasket - Water Pump	Gasket - Water Pump	Gasket - Water Pump	Gasket - Water Pump	
5	3682A011	1	Joint - Water Pump	Joint Plat	Dichtung	Articulación	
6	2314H005	2	Screw	Vis	Schraube	Tornillo	
7	2314K164	2	Screw	Vis	Schraube	Tornillo	
8	2314H012	5	Screw	Vis	Schraube	Tornillo	

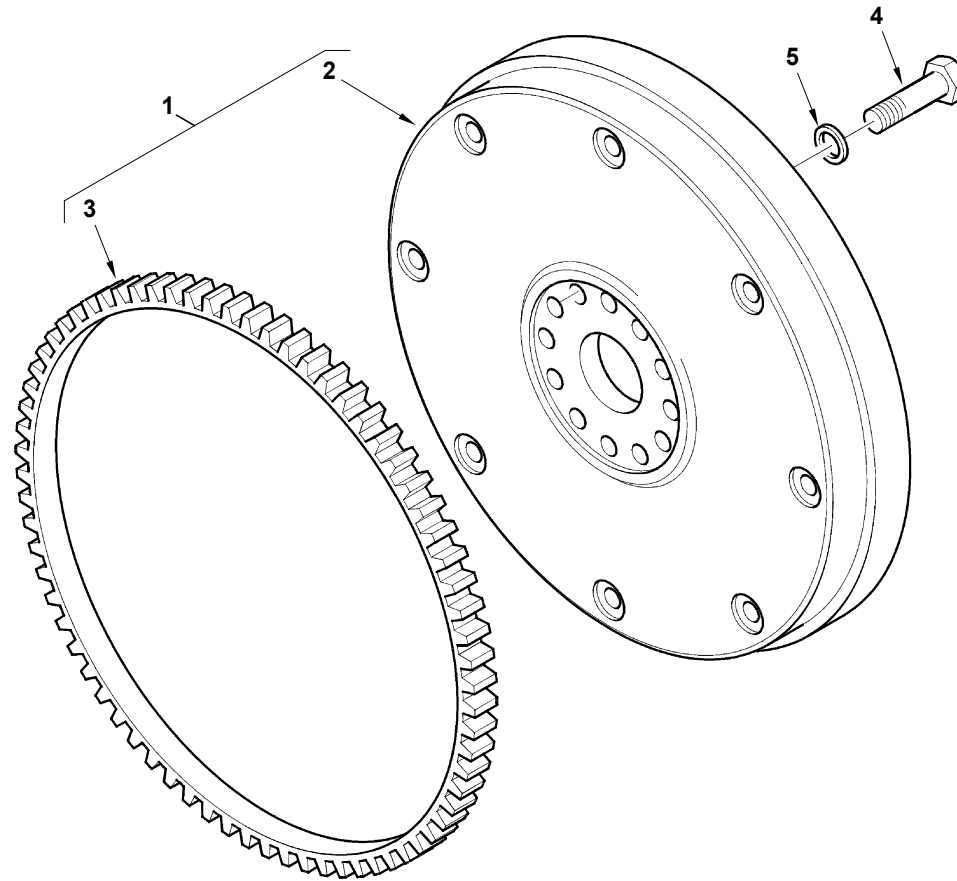
C-21015-12.1-A



<b>Item</b>	<b>Part No.</b>	<b>Qty.</b>	<b>English</b>	<b>French</b>	<b>German</b>	<b>Spanish</b>	<b>Remarks</b>
1	3115T081	1	Pulley - Crankshaft	Poulie Vilebreq.	R Scheibe,Kuwe	Polea	
2	3241N001	1	Block	Bloc	Block	Tope	
3	32186137	3	Bolt - Crankshaft	Goupille	Bolzen	Perno	



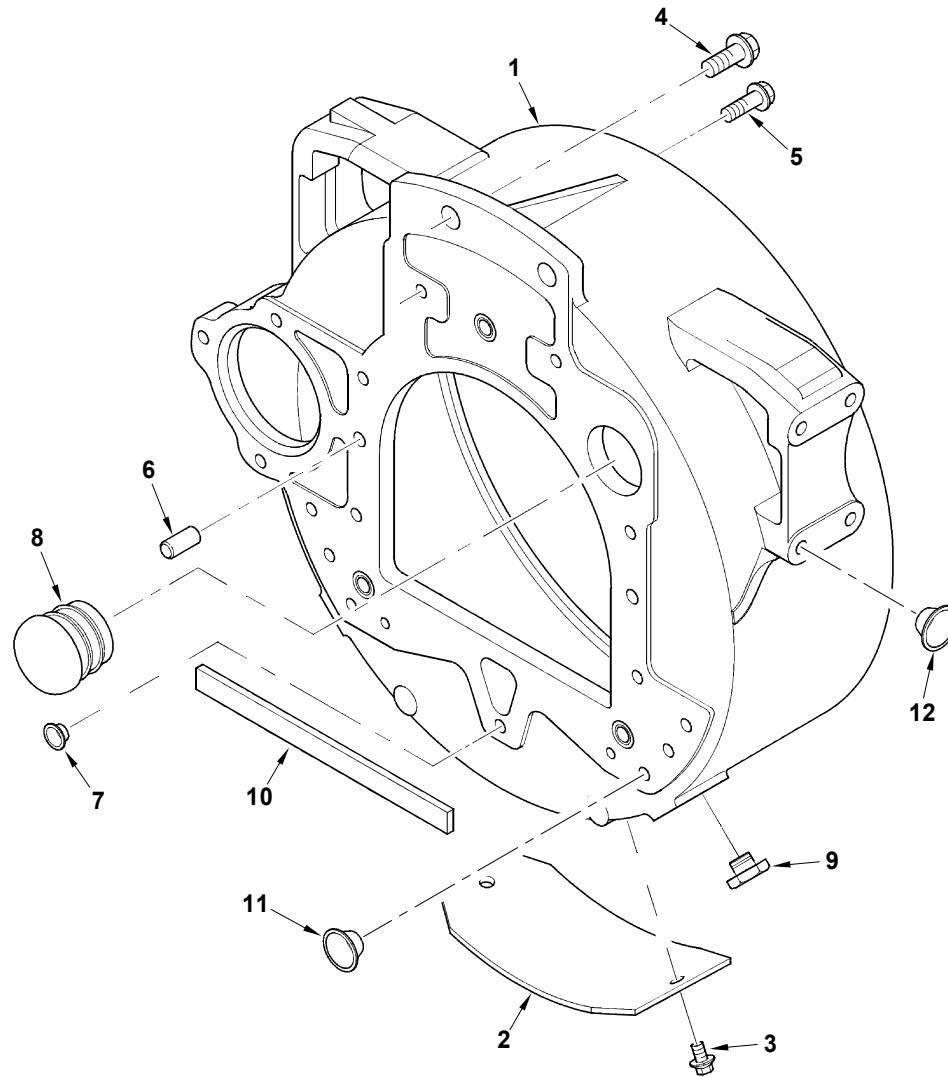
C-21015-13.1-A



<b>Item</b>	<b>Part No.</b>	<b>Qty.</b>	<b>English</b>	<b>French</b>	<b>German</b>	<b>Spanish</b>	<b>Remarks</b>
1	4111D127	1	Flywheel Assembly	Volant Moteur	Schwungrad Kpl	Volante Motor	
2	#FLYWHEEL	1	Flywheel	Flywheel	Flywheel	Flywheel	Ref. 1
3	31162121	1	Gear - Starter Ring	Roue Dentee	Zahnrad	Cambio	
4	0746853	6	Screw	Vis	Schraube	Tornillo	
5	33117127	6	Washer	Rondelle	Scheibe	Arandela	



C-21015-14.1-A

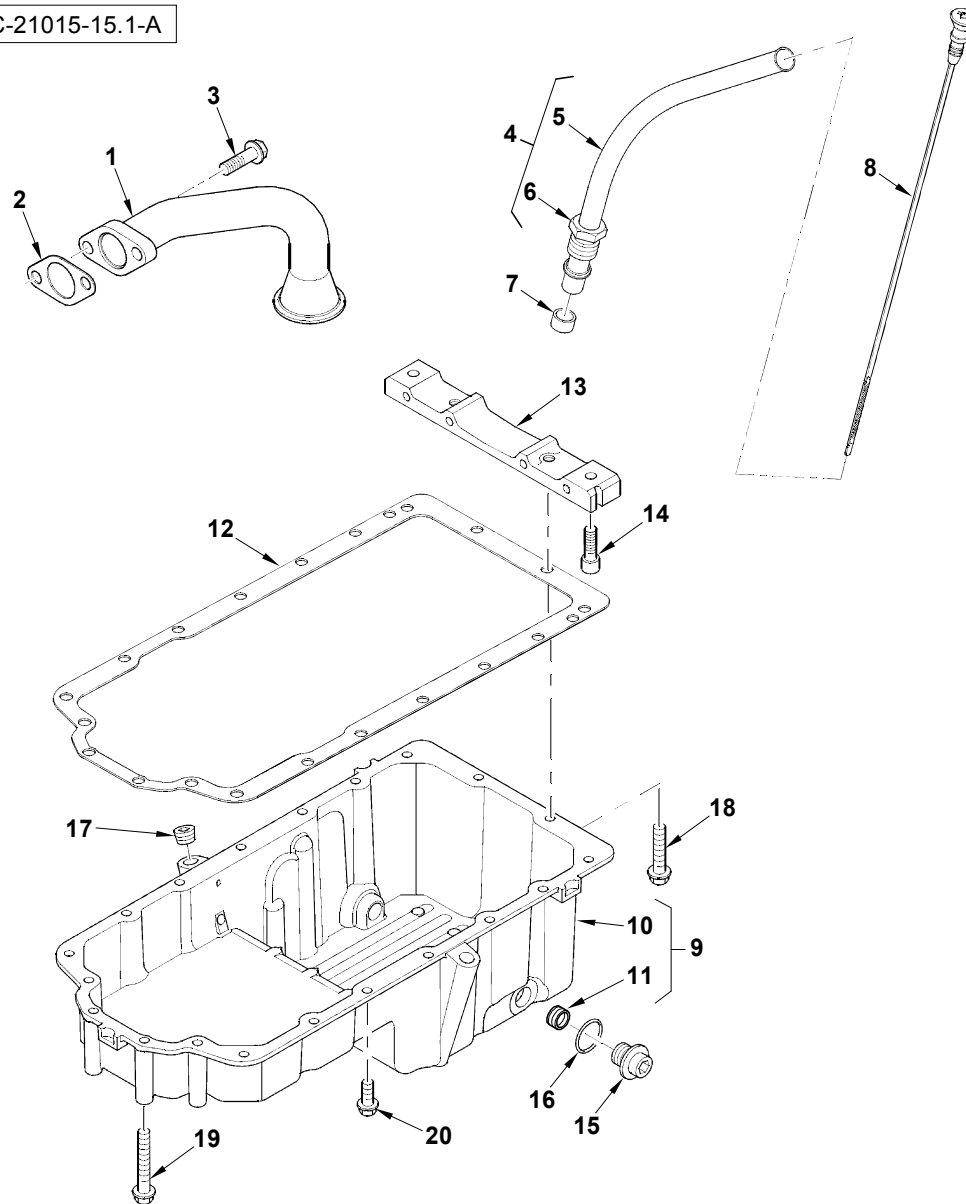




Item	Part No.	Qty.	English	French	German	Spanish	Remarks
1	3713M049	1	Housing - Flywheel	Carter De Volant	Schwungradgeh	Cárter	
2	36212132	1	Plate	Plaque	Platte	Placa	
3	2314H102	2	Screw	Vis	Schraube	Tornillo	
4	2314J603	2	Screw	Vis	Schraube	Tornillo	
5	2314J204	6	Screw	Vis	Schraube	Tornillo	
6	3245A011	2	Dowel	Dowel	Dowel	Dowel	
7	2487204	3	Plug	Bouchon	Stopfen	Tapón	
8	2487A452	1	Plug - Blanking	Obturateur	Verschlussstopfen	Tapón De Bloqueo	
9	2487Y005	2	Plug	Bouchon	Stopfen	Tapón	
10	36843154	1	Seal	Joint D´Arbre	Wellendichtring	Junta	
11	2487207	6	Plug	Bouchon	Stopfen	Tapón	
12	2487207	4	Plug	Bouchon	Stopfen	Tapón	



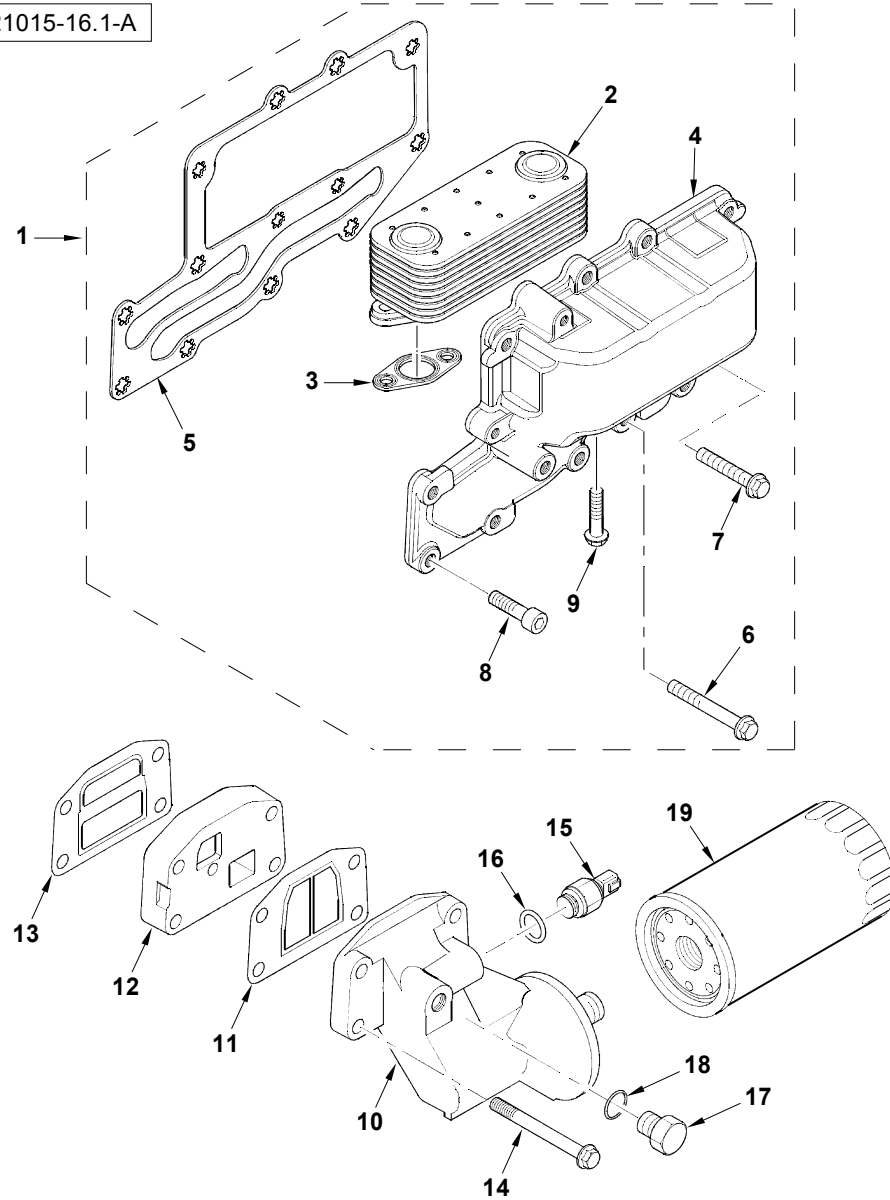
C-21015-15.1-A



Item	Part No.	Qty.	English	French	German	Spanish	Remarks
1	3575A061	1	Pipe - Suction	Ensemble Tuyauterie	Rohr Kpl.	Tubo, Conj.	
2	36832137	1	Joint, Turbo Lub. Oil Drain Pipe	Articulation	Dichtring	Articulación	
3	2314H004	2	Screw	Vis	Schraube	Tornillo	
4	3577A155	1	Support Tube	Tube	Rohr	Tubo	
5	#TUBE	1	Tube	Tube	Tube	Tube	Ref. 4
6	#NUT	1	Nut	Ecrou	Mutter	Tuerca	Ref. 4
7	33812116	1	Olive, Dipstick Tube	Ori•ce	Blende	Ori•cio	
8	3178C185	1	Dipstick	Juage	Messstab	Dipstick	
9	4145H091	1	Sump	Carter À Huile	Ölwanne	Cárter De Aceite	
10	#PAN, OIL	1	Pan, Oil	Pan, Oil	Pan, Oil	Pan, Oil	Ref. 9
11	2137435	2	Insert	Siège De Ressort	Federsitz	Muelle	
12	3681K037	1	Joint - Sump	Joint	Dichtring	Junta	
13	3627P041	1	Bridge Piece	Pontet	Traverse	Placa	
14	2311D039	2	Screw	Vis	Schraube	Tornillo	
15	32186405	2	Plug - Oil Drain	Bouchon	Stopfen	Tapón	
16	2415715	2	O-Ring - Sump Plug	Joint Torique	O-Ring	Junta De Tipo O	
17	2431A016	1	Plug	Bouchon	Stopfen	Tapón	
18	2314H033	2	Screw	Vis	Schraube	Tornillo	
19	2314K166	6	Screw	Vis	Schraube	Tornillo	
20	2314H003	12	Hex Bolt - M8 X 20	Goupille	Bolzen	Tornillo	

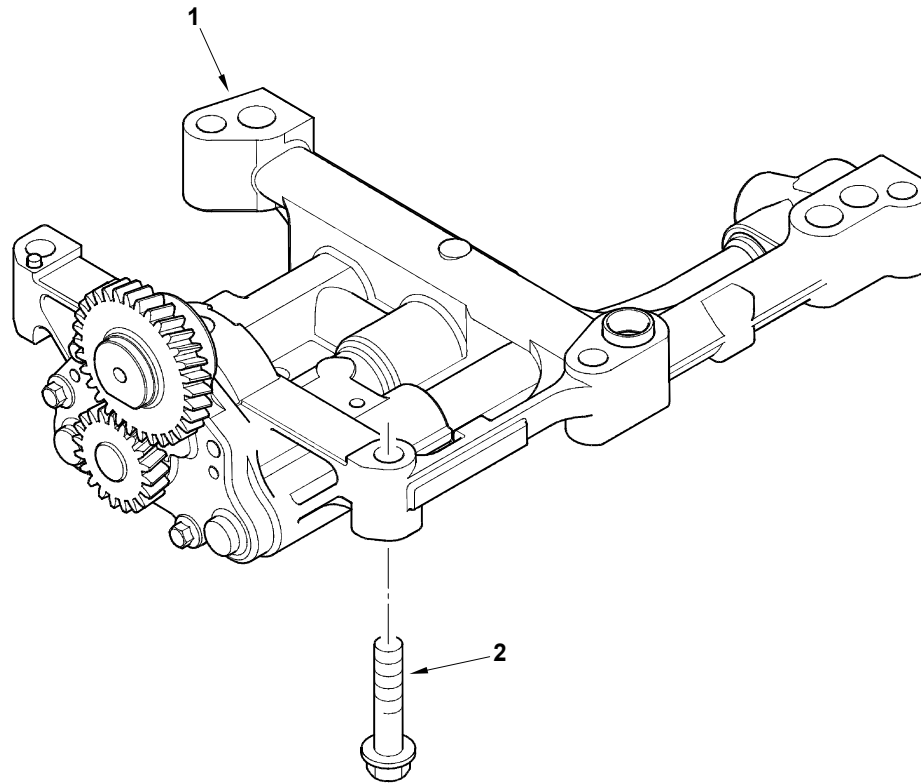


C-21015-16.1-A



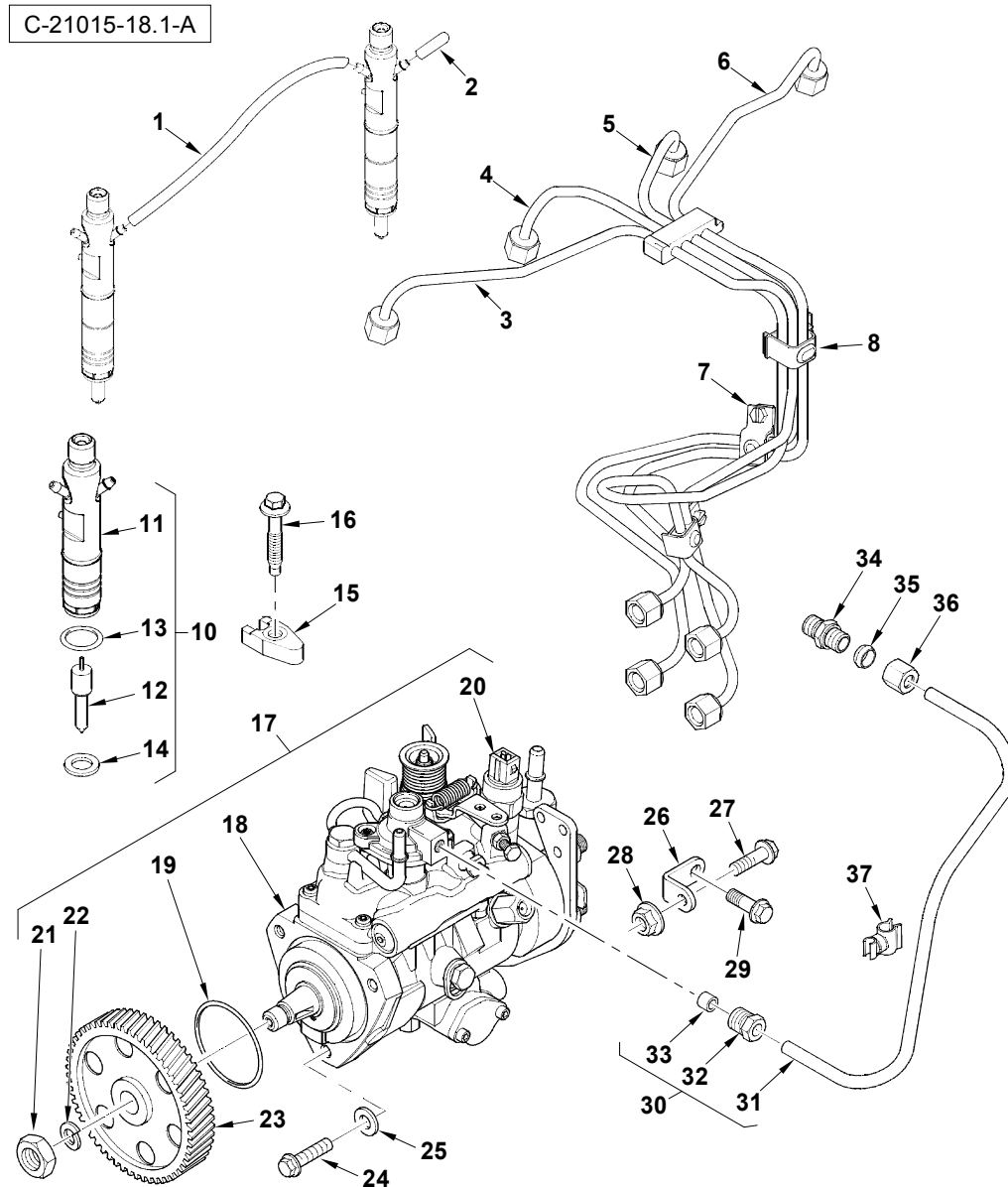
Item	Part No.	Qty.	English	French	German	Spanish	Remarks
1	4134W021	1	Cooler - Oil	Cooler - Oil	Cooler - Oil	Cooler - Oil	
2	2486A217	1	Oil Cooler	Refroidisseur A Huil	Oelkuhler	Radiador De Aceite	
3	3685A025	2	Joint	Joint Plat	Dichtung	Junta	
4	#HOUSING	1	Housing	Carter	Gehäuse	Alojamiento	Ref. 1
5	3685A033	1	Gasket - Oil Cooler	Joint	Dichtscheibe	Empaquetadura	
6	2314K161	3	Screw	Vis	Schraube	Tornillo	
7	2314H004	8	Screw	Vis	Schraube	Tornillo	
8	2311D060	2	Screw	Vis	Schraube	Tornillo	
9	2314H006	4	Screw	Goupille	Bolzen	Tornillo	
10	3773A071	1	Oil Filter Head	Ensemble De Tête	Kopf Kpl.	Oil Filter Head	
11	3688A041	1	Joint	Joint Plat	Dichtung	Articulación	
12	3773A081	1	Adaptor	Adaptateur	Reduziernippel	Adaptador	
13	3688A039	1	Joint	Joint Plat	Dichtung	Articulación	
14	2314H038	4	Screw	Vis	Schraube	Tornillo	
15	2848A071	1	Oil Pressure Switch	Pressostat D'huile	Oeldruckschalter	Interruptor	
16	2415H002	1	O - Ring	Joint Torique	O-Ring	Junta De Tipo O	
17	3278A007	1	Plug	Bouchon	Stopfen	Tapón	
18	2415H009	1	O - Ring	Joint Torique	O-Ring	Junta De Tipo O	
19	2654407	1	Canister-Engine Oil Filter	Filtre	Filter	Filtro	

C-21015-17.1-A



<b>Item</b>	<b>Part No.</b>	<b>Qty.</b>	<b>English</b>	<b>French</b>	<b>German</b>	<b>Spanish</b>	<b>Remarks</b>
1	4132F071	1	Pump - Oil	Pompe À Huile	Motorölpumpe	Bomba De Aceite	
2	2314J008	5	Screw	Vis	Schraube	Tornillo	

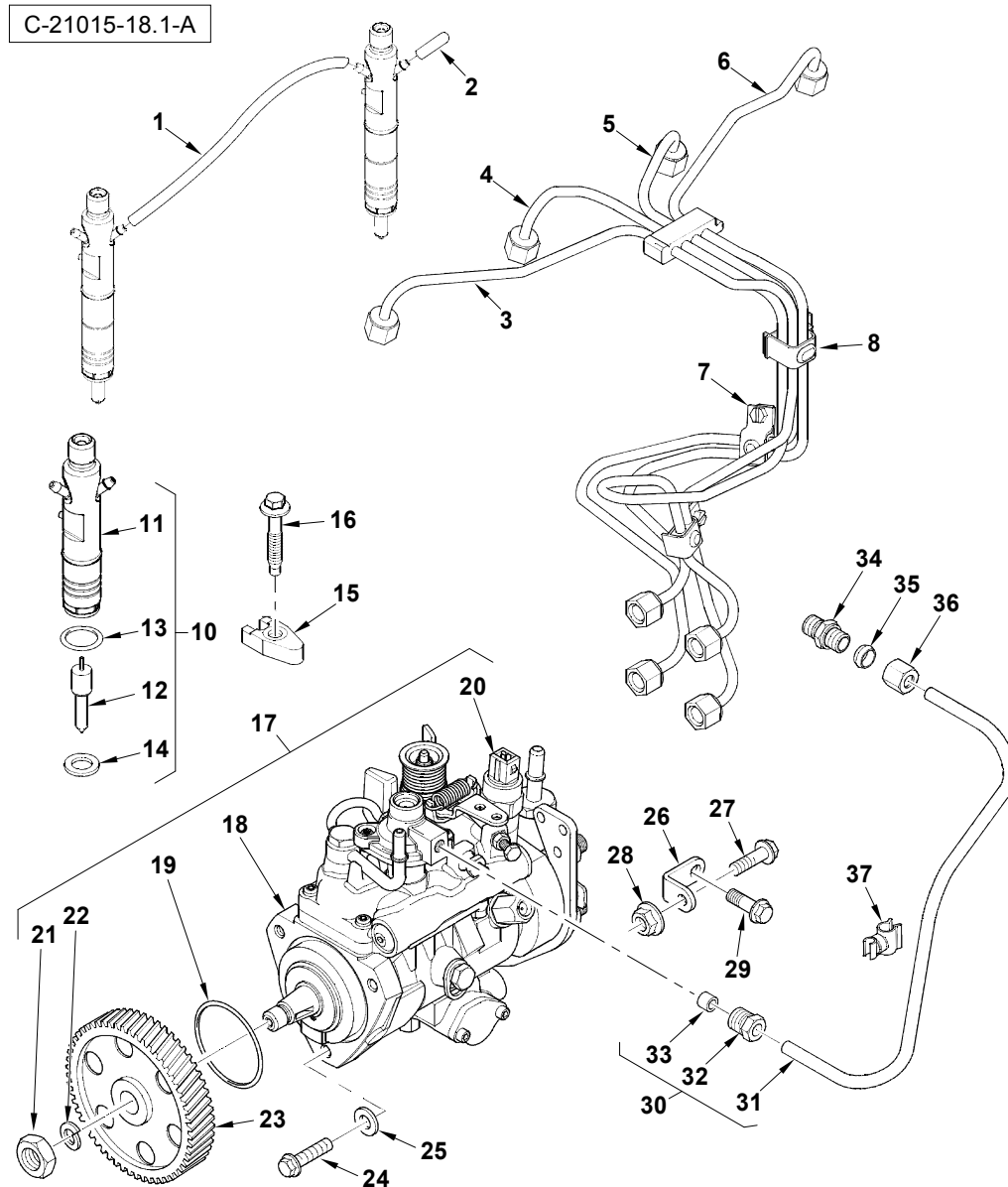






Item	Part No.	Qty.	English	French	German	Spanish	Remarks
1	2646F501	3	Hose - Flexible	Flexible	Schlauch	Tubo Flexible	
2	2646E501	1	Cap	Capuchon	Wetterkappe	Sombbrero	
3	3525A101	1	Pipe - Fuel Injection No.1	Tuyau Injection	Einspritzleitung	Tubo, Conj.	
4	3525A102	1	Pipe - Fuel Injection No.2	Tuyau Injection	Einspritzleitung	Tubo, Conj.	
5	3525A103	1	Pipe - Fuel Injection No.3	Tuyau Injection	Einspritzleitung	Tubo, Conj.	
6	3525A104	1	Pipe - Fuel Injection No.4	Tuyau Injection	Einspritzleitung	Tubo, Conj.	
7	2481Y011	2	Clip	Clip	Klips	Clip	
8	2481Y012	1	Clip	Clip	Klips	Clip	
9	2646E019	1	Clamp - Fuel Inj. Pipes	Bride De Fixation	Befestigungshalter	Brida De Fijación	
10	2645K025	4	Injector Assembly	Atomiseur	Einspritzduese	Inyector	
11	#HOLDER	1	Holder	Holder	Holder	Holder	Ref. 10
12	#NOSE	1	Nose	Nose	Nose	Nose	Ref. 10
13	26460064	1	Seal - Injector	Seal - Injector	Seal - Injector	Seal - Injector	
14	L311FF02	1	Seal - Fuel Inj. Nozzle	Rondelle	Scheibe	Arandela	
15	3751A241	1	Clamp - Injector	Collier De Serrage	Klemme	Argolla De Cierre	
16	2314W009	1	Screw	Vis	Schraube	Tornillo	
17	2644C313/22	1	Injection Pump	Pompe	Pumpe	Bomba	
18	#PUMP, INJECTION	1	Pump, Injection	Pump, Injection	Pump, Injection	Pump, Injection	Ref. 17
19	26420318	1	O-Ring	Joint Torique	O-Ring	Junta De Tipo O	
20	26420469	1	Solenoid - Fuel Cut-Off	Solenoid	Solenoid	Solenoid	
21	2318A108	1	Nut	Ecrou	Mutter	Tuerca	
22	K134AF01	1	Washer	Rondelle	Scheibe	Arandela De Freno	
23	3117L261	1	Gear - Injection Pump	Pignon	Zahnrad	Piñón	
24	2314H004	3	Screw	Vis	Schraube	Tornillo	
25	2411D008	3	Washer	Rondelle	Scheibe	Arandela	
26	3641A007	1	Bracket	Patte Fixation	Halter	Pata De Fijación	
27	2314H003	1	Hex Bolt - M8 X 20	Goupille	Bolzen	Tornillo	
28	2318A603	1	Nut (Pack Of 10)	Ecrou	Mutter	Tuerca	
29	2314J002	1	Screw	Vis	Schraube	Tornillo	
30	4121A063	1	Pipe - Boost Control	Pipe - Boost Control	Rohrleitung	Pipe - Boost Control	

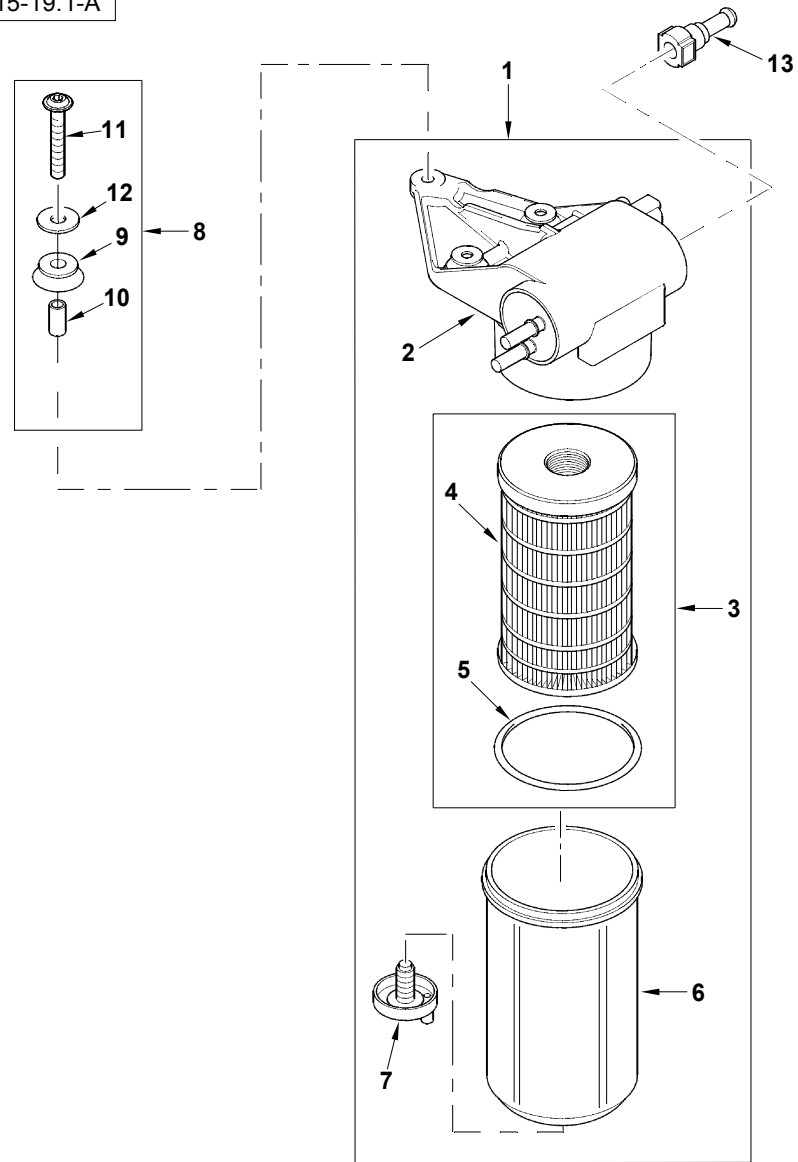




Item	Part No.	Qty.	English	French	German	Spanish	Remarks
31	#PIPE	1	Pipe	Pipe	Pipe	Pipe	Ref. 30
32	#NUT	1	Nut	Ecrou	Mutter	Tuerca	Ref. 30
33	33811112	1	Olive - Fuel Pipe	Ori•ce	Blende	Ori•cio	
34	0206002	1	Union	Union	Schraubanschluss	Union	
35	0576111	1	Nut	Ecrou	Mutter	Tuerca	
36	0566002	1	Olive	Olive	Schneidring	Ori•cio	
37	2481D406	1	Clip - Pipe	Collier Durit	Schlauchschelle	Clip, Manguera	

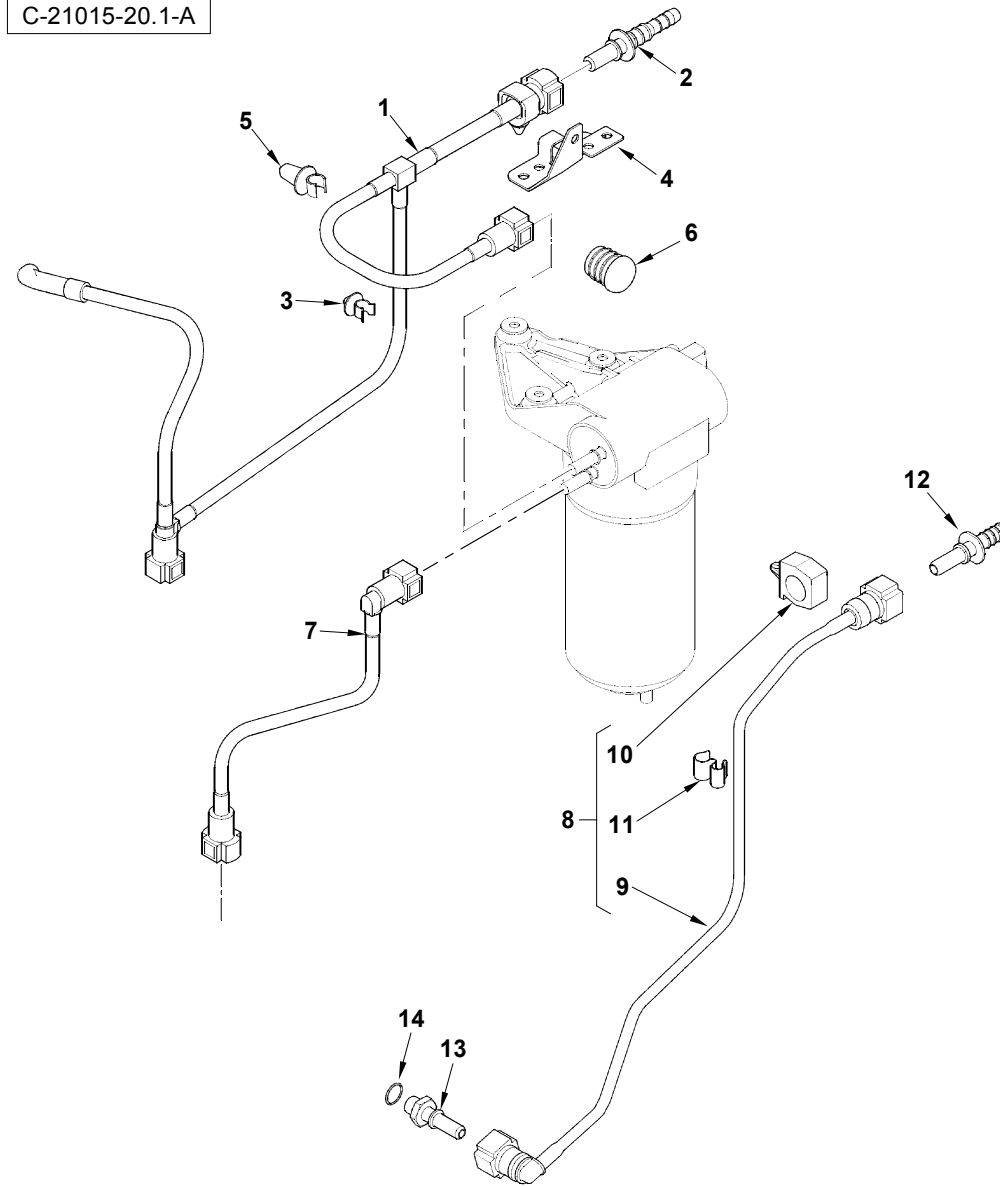


C-21015-19.1-A



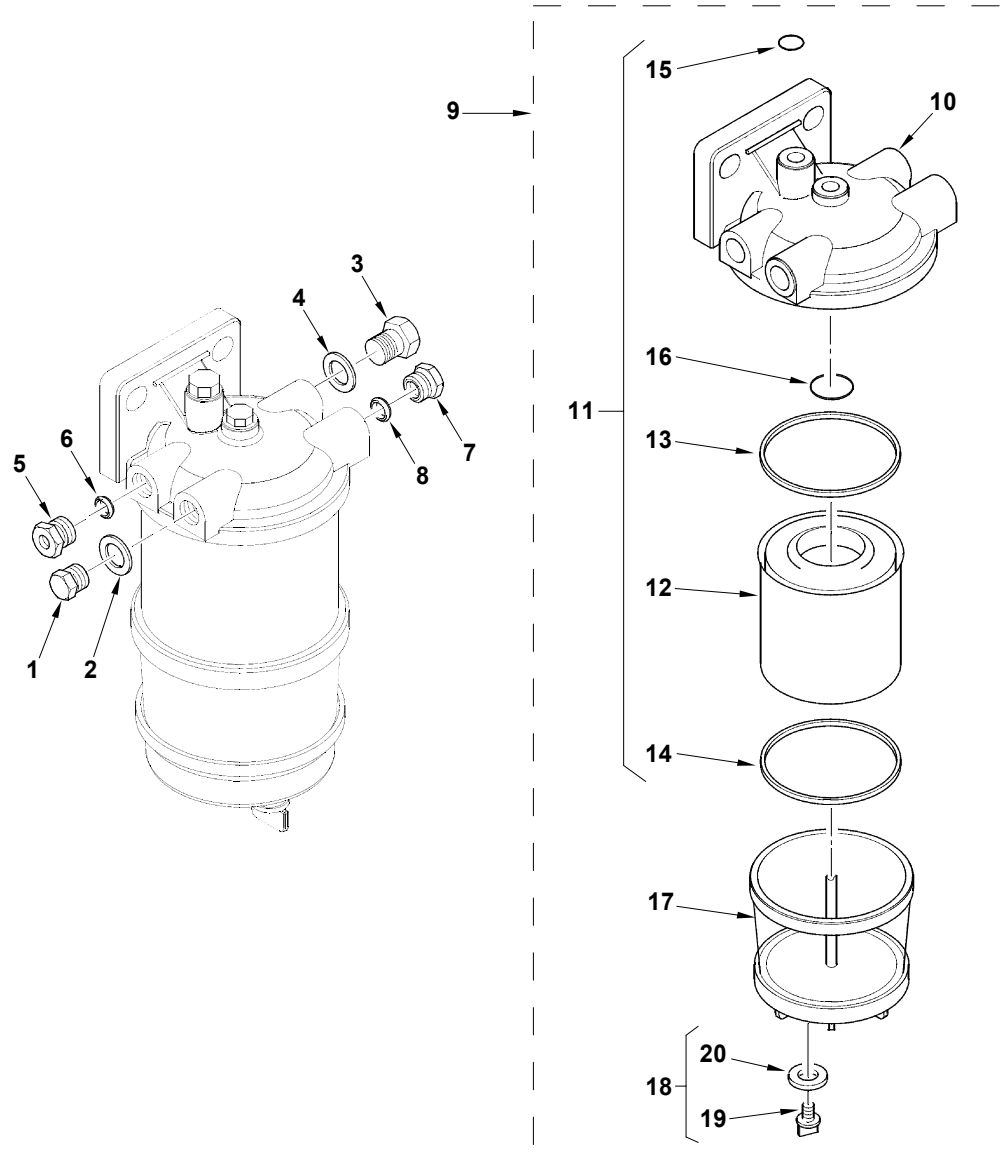
Item	Part No.	Qty.	English	French	German	Spanish	Remarks
1	4132A018	1	Pump - Fuel Lift - Use Ulpk0038	Pompe	Pumpe	Bomba	
2	#PUMP, FUEL LIFT	1	Pump, Fuel Lift	Pump, Fuel Lift	Pump, Fuel Lift	Pump, Fuel Lift	Ref.1
3	26560201	1	Element - Filter Engine Fuel *S*	Cartouche Filtrante	Filterpatrone	Elemento De Filtro	
4	#ELEMENT, FILTER	1	Element, Filter	Element, Filter	Element, Filter	Element, Filter	Ref. 3
5	#O-RING	1	O-Ring	Joint Torique	O-Ring	Junta Tórica	Ref. 3
6	2656F837	1	Bowl	Bowl	Bowl	Bowl	
7	2656F836	1	Plug - Drain	Plug - Drain	Plug - Drain	Plug - Drain	
8	U5MK1239	1	Mounting	Mounting	Mounting	Mounting	
9	#MOUNT	6	Mount	Mount	Mount	Mount	Ref. 8
10	#SPACER	3	Spacer	Spacer	Spacer	Spacer	Ref. 8
11	2316T135	3	Screw	Screw	Screw	Screw	
12	2131A507	3	Washer	Rondelle	Scheibe	Arandela	
13	3763A046	1	Connector	Borne	Doppelnippel	Conector	

C-21015-20.1-A



Item	Part No.	Qty.	English	French	German	Spanish	Remarks
1	2646F009	1	Pipe - Fuel	Tuyau Carburant	Kraftstleitung	Pipe - Fuel	
2	3763A045	1	Connection	Borne	Doppelnippel	Conector	
3	2481D456	1	Clip	Clip	Klips	Clip	
4	3661A091	1	Bracket	Bracket	Bracket	Bracket	
5	2481D559	1	Clip - Pipe	Clip - Pipe	Clip - Pipe	Clip - Pipe	
6	2487A401	1	Plug	Bouchon	Verschstopfen	Plug	
7	2646F001	1	Pipe - Fuel Feed	Ensemble Tuyauterie	Rohr Kpl.	Tube, Conj.	
8	4127A148	1	Pipe - Boost	Pipe - Boost	Pipe - Boost	Pipe - Boost	
9	#PIPE	1	Pipe	Pipe	Pipe	Pipe	Ref. 8
10	2481D657	1	Clip	Clip	Clip	Clip	
11	2481D252	2	Clip	Clip	Clip	Clip	
12	2442A126	1	Connection	Connection	Connection	Connection	
13	3346A009	1	Connection	Connection	Connection	Connection	
14	2415H009	1	O - Ring	Joint Torique	O-Ring	Junta De Tipo O	

C-21015-21.1-A

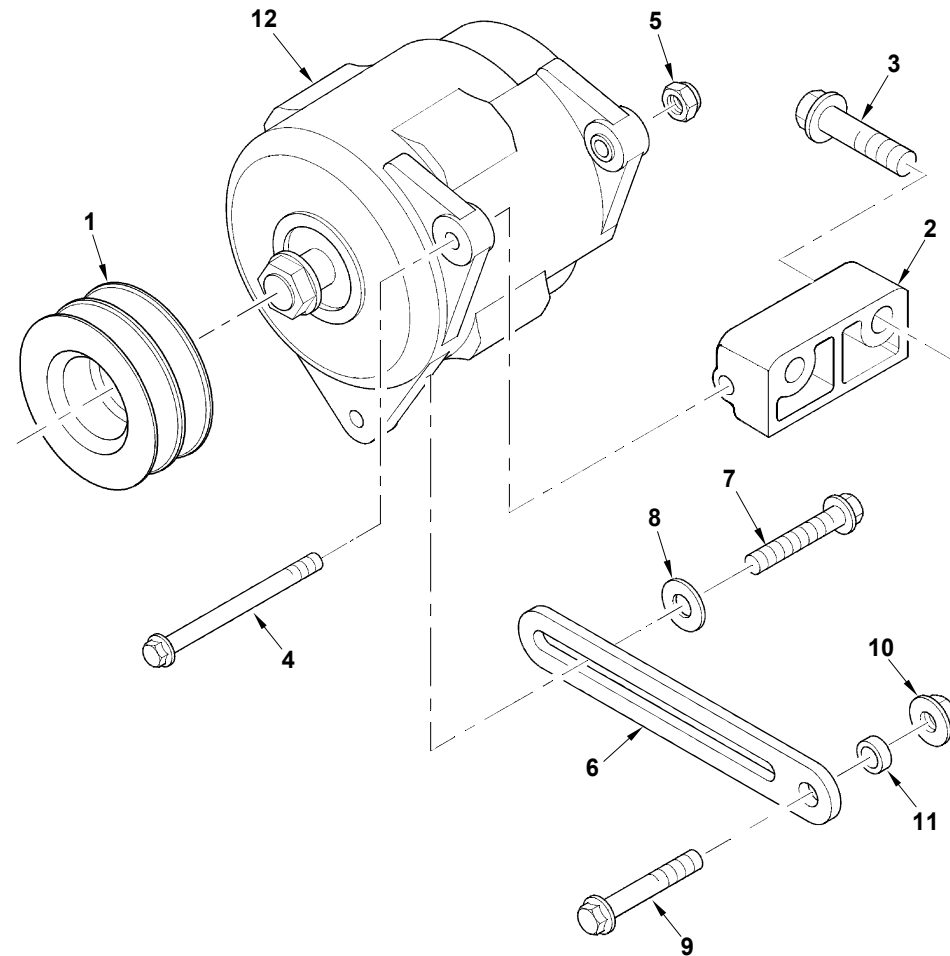




Item	Part No.	Qty.	English	French	German	Spanish	Remarks
1	0650204	1	Plug	Bouchon	Stopfen	Tapon	
2	2411D013	1	Washer	Rondelle	Unterlegscheibe	Arandela	
3	0650204	1	Plug	Bouchon	Stopfen	Tapon	
4	2411D013	1	Washer	Rondelle	Unterlegscheibe	Arandela	
5	33532129	1	Nut	Ecrou	Mutter	Tuerca De Tubería	
6	0566004	1	Olive	Olive	Schneidring	Oliva	
7	33532129	1	Nut	Ecrou	Mutter	Tuerca De Tubería	
8	0566004	1	Olive	Olive	Schneidring	Oliva	
9	2656F823	1	Filter - Fuel	Filtre A Combustible	Kraftstof*Iter	Filtro De Combustible	
10	#HEAD	1	Head	Head	Head	Head	Ref. 9
11	26550005	1	Fuel/Water Separator	Filtre	Filter	Filtro	
12	#ELEMENT	1	Element	Element	Element	Element	Ref. 11
13	#O-RING	2	O-Ring	Joint Torique	O-Ring	Junta Tórica	Ref. 11
14	#O-RING	1	O-Ring	Joint Torique	O-Ring	Junta Tórica	Ref. 11
15	#O-RING	1	O-Ring	Joint Torique	O-Ring	Junta Tórica	Ref. 11
16	#O-RING	1	O-Ring	Joint Torique	O-Ring	Junta Tórica	Ref. 11
17	26560181	1	Bowl - Glass	Cuve	Wanne	Cuba	
18	26560614	1	Screw & O Ring - Fuel Filter Bowl	Bouchon	Stopfen	Tapón	
19	#PLUG	1	Plug	Plug	Plug	Plug	Ref. 18
20	26431192	1	Washer	Rondelle	Scheibe	Arandela	



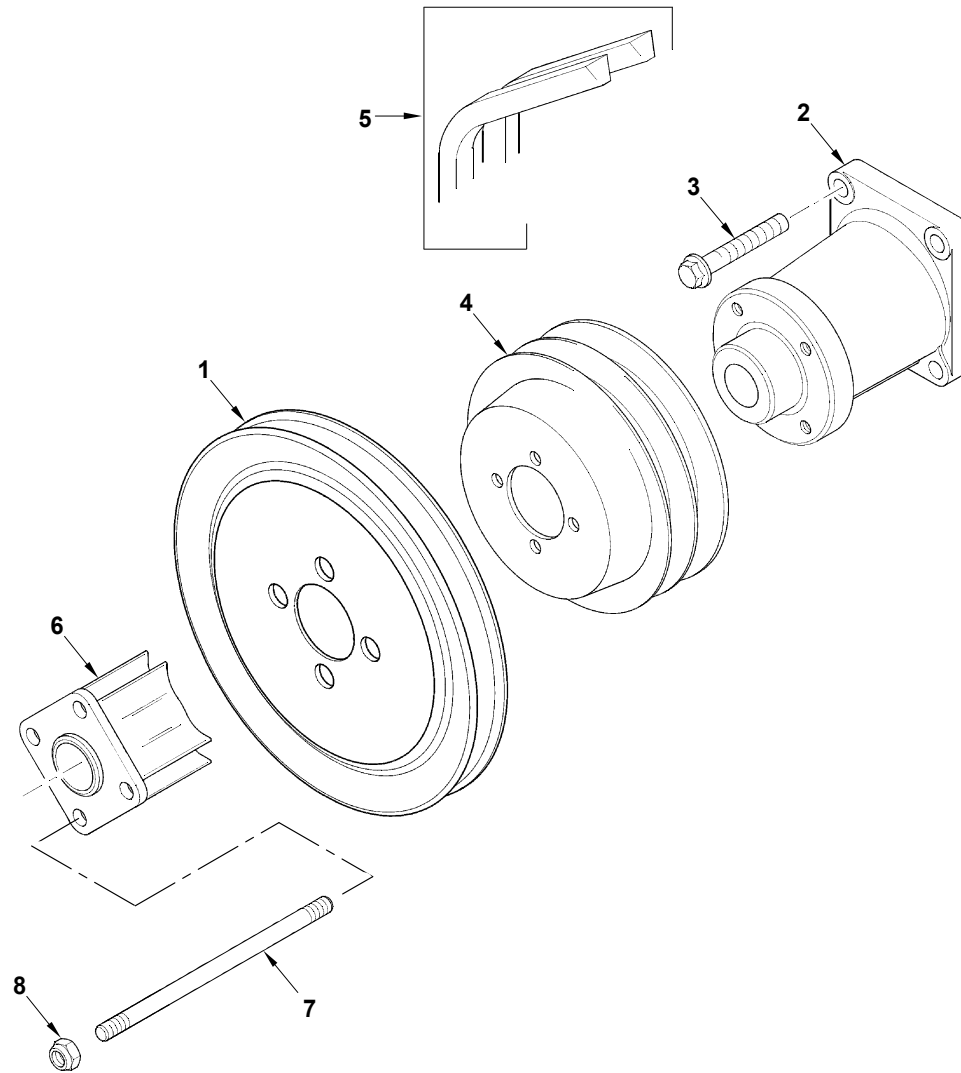
C-21015-22.1-A



Item	Part No.	Qty.	English	French	German	Spanish	Remarks
1	3115A121	1	Pulley - 2 Groove Alternator	Poulie	Riemenscheibe	Polea	
2	3824A071	1	Bracket - Alternator	Patte Fixation	Halter	Pata De Fijación	
3	2314J007	2	Screw	Vis	Schraube	Tornillo	
4	2314H022	1	Screw	Vis	Schraube	Tornillo	
5	2318D208	1	Nut	Ecrou	Mutter	Tuerca	
6	36155429	1	Bracket - Alternator Adjusting	Patte Fixation	Halter	Tirante De Ajuste	
7	2314H004	1	Screw	Vis	Schraube	Tornillo	
8	0920497	1	Washer - N1a	Rondelle	Scheibe	Arandela	
9	2314J012	1	Screw	Vis	Schraube	Tornillo	
10	2318A604	1	Nut	Ecrou	Mutter	Tuerca	
11	0920465	1	Spacer	Entretoise	Distanzstueck	Traviesa	
12	2871A304	1	Alternator Use 2871a309	Alternateur Triphase	Drehstromlichtmaschi	Alternador, Conj.	



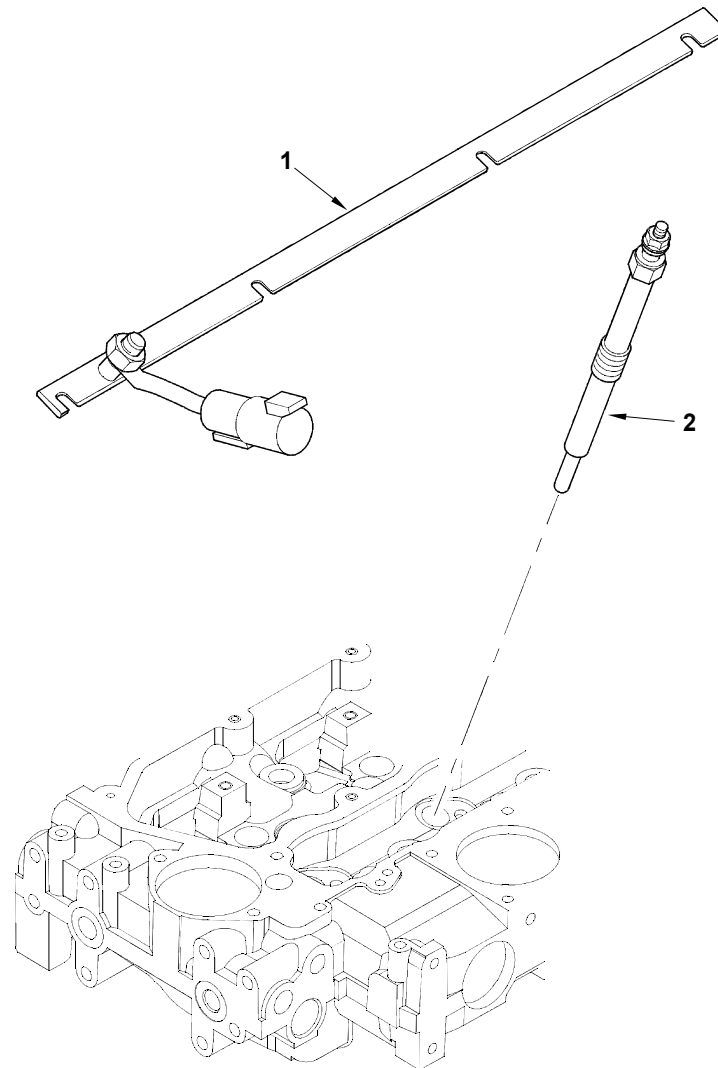
C-21015-23.1-A



Item	Part No.	Qty.	English	French	German	Spanish	Remarks
1	3114X191	1	Pulley - 1 Groove	Poulie	Riemenscheibe	Polea	
2	4113K005	1	Housing - Fan Drive	Carter	Gehäuse	Cárter, Conj.	
3	2314J005	4	Bolt	Goupille	Bolzen	Perno	
4	3115C113	1	Pulley - Fan	Poulie Ventil.	Rs, Lüfter	Polea	
5	2614B650	1	Belts - Matched Pair (2)	Courroie	Keilrülfter	Correa Trapezoidal	
6	3748W242	1	Extension	Extension	Extension	Extension	
7	2313H236	4	Stud	Stud	Stud	Stud	
8	2318D208	4	Nut	Ecrou	Mutter	Tuerca	



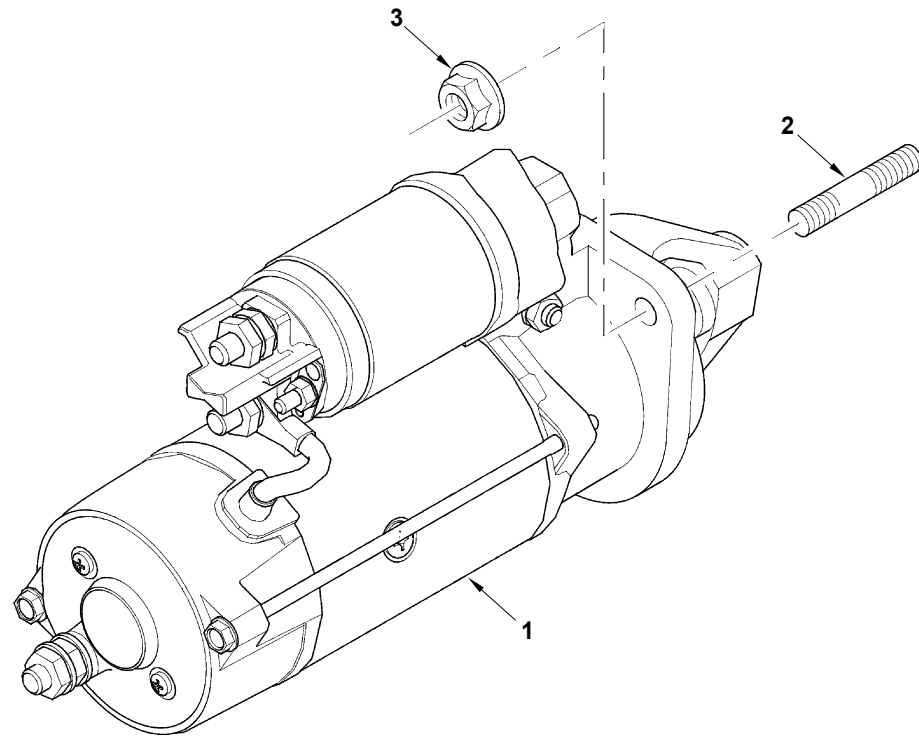
C-21015-24.1-A



<b>Item</b>	<b>Part No.</b>	<b>Qty.</b>	<b>English</b>	<b>French</b>	<b>German</b>	<b>Spanish</b>	<b>Remarks</b>
10	2666A016	4	Plug - Glow	Vis De Fermeture	Verschlusschraube	Enchufe	
20	3161C054	1	Bar	Barre	Stab	Barra	



C-21015-25.1-A

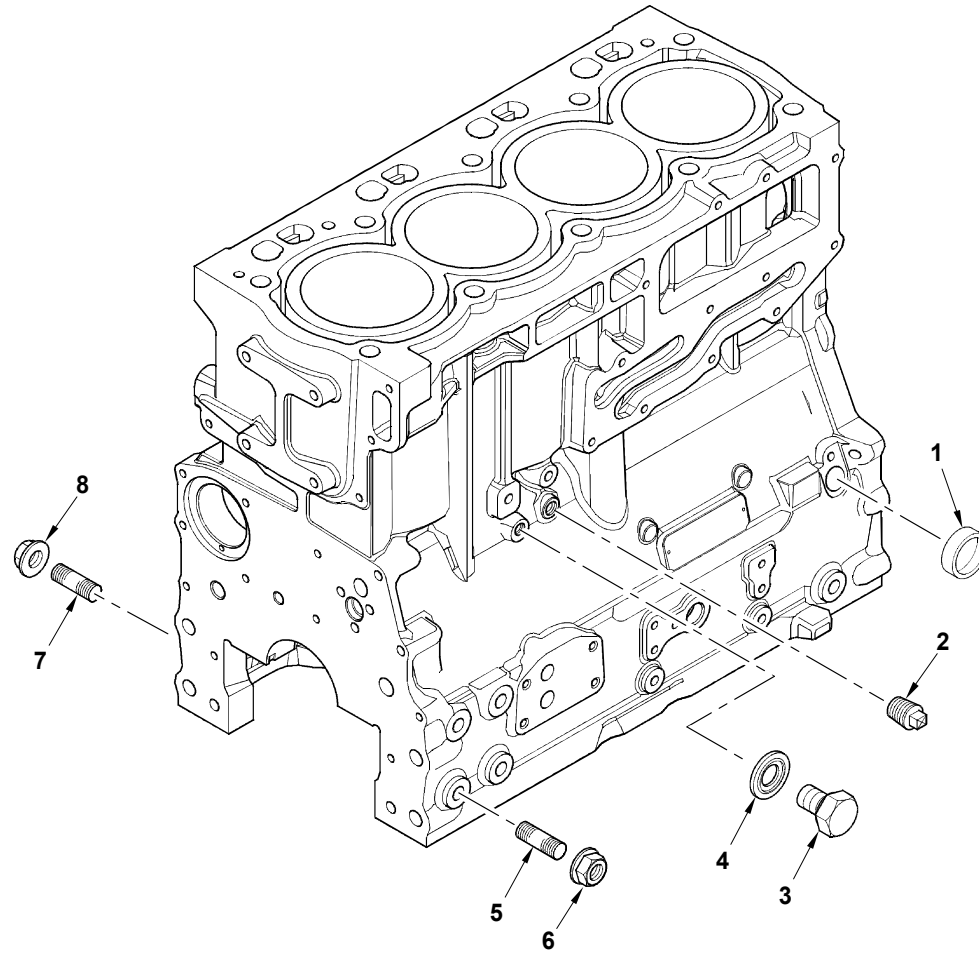




<b>Item</b>	<b>Part No.</b>	<b>Qty.</b>	<b>English</b>	<b>French</b>	<b>German</b>	<b>Spanish</b>	<b>Remarks</b>
1	2873K601	1	Starter Motor	Starter Motor	Starter Motor	Starter Motor	
2	2313C078	3	Stud	Goujon	Stehbolzen	Espárrago	
3	2318A604	3	Nut	Ecrou	Mutter	Tuerca	

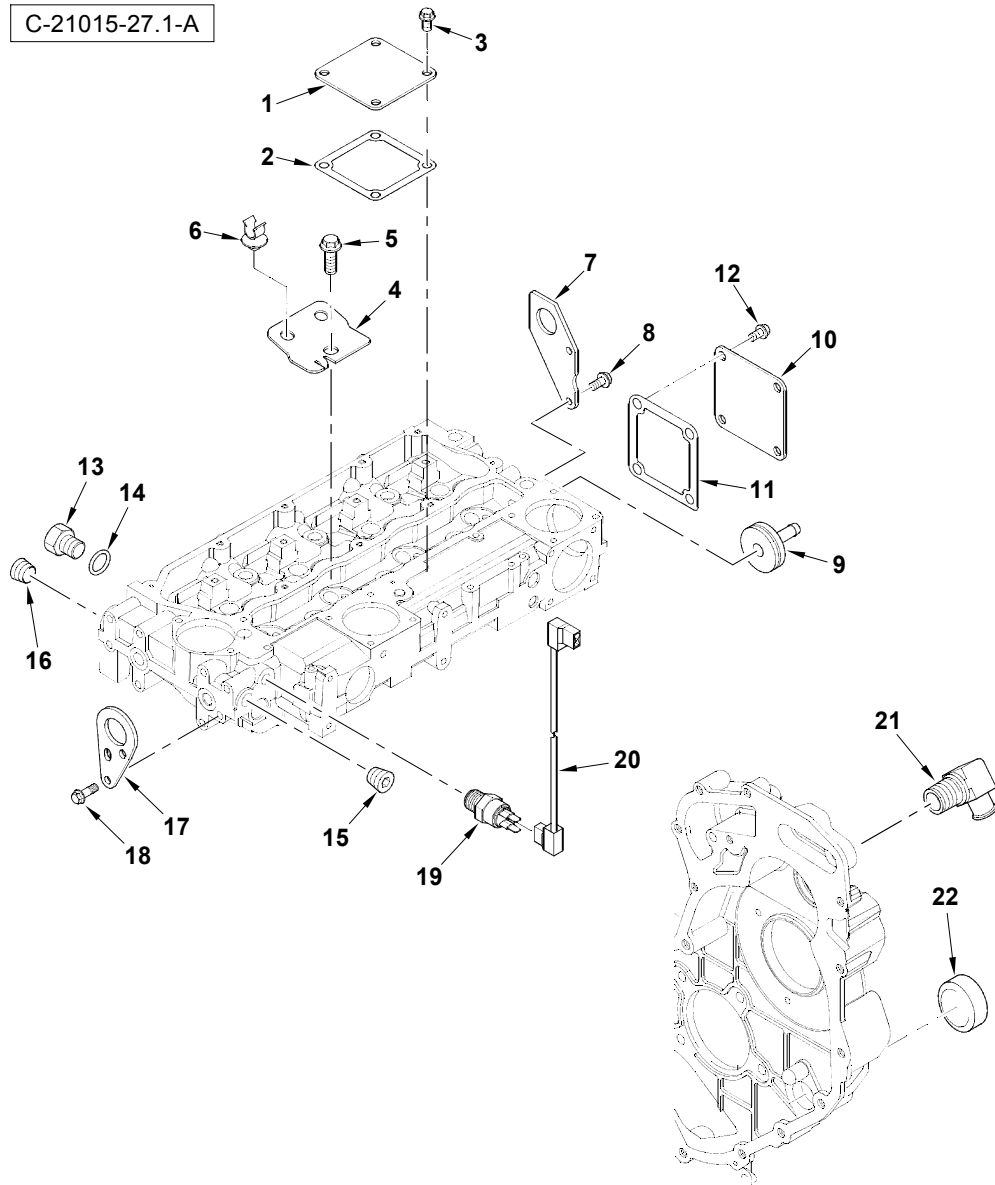


C-21015-26.1-A



Item	Part No.	Qty.	English	French	German	Spanish	Remarks
1	2485A109	1	Plug	Bouchon	Stopfen	Tapón	
2	0650594	1	Plug	Bouchon	Stopfen	Tapon	
3	2314C049	1	Screw	Vis	Schraube	Tornillo	
4	2415D053	1	Washer	Rondelle	Scheibe	Arandela	
5	2313M101	4	Eng/Mt Studs P/Kins 35mm	Goujon	Stehbolzen	Espárrago	
6	2318F605	4	Nut	Nut	Nut	Nut	
7	2313M101	4	Eng/Mt Studs P/Kins 35mm	Goujon	Stehbolzen	Espárrago	
8	2318F605	4	Nut	Nut	Nut	Nut	

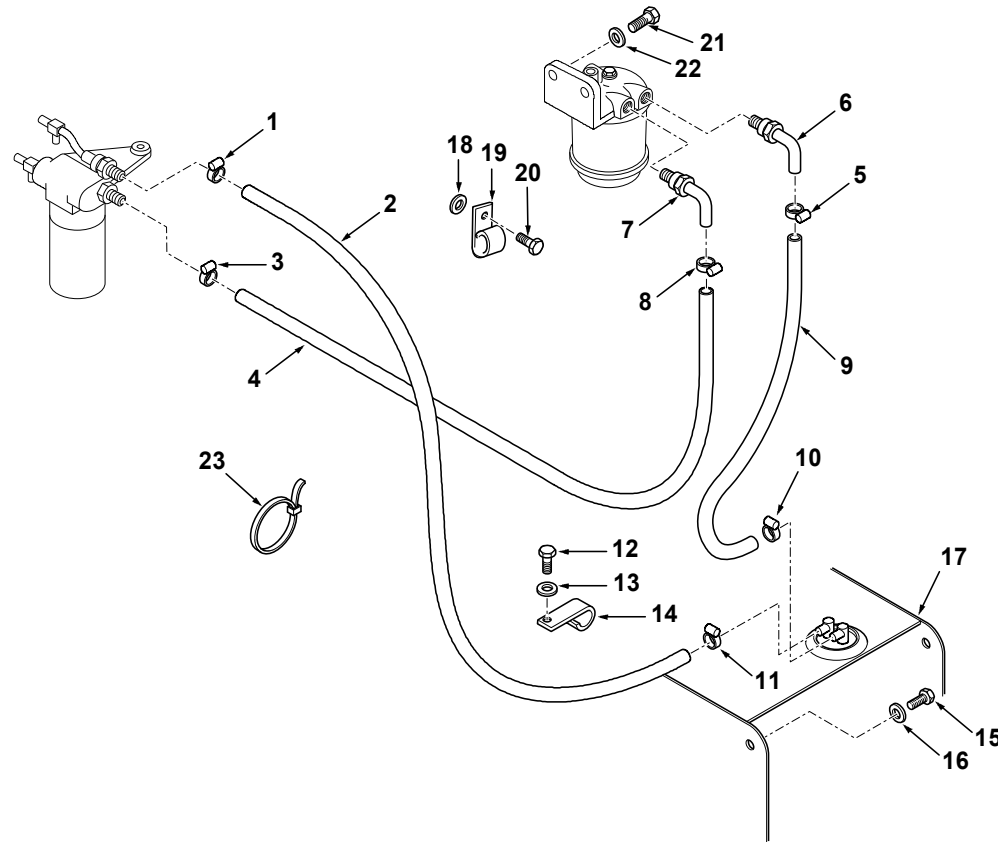




Item	Part No.	Qty.	English	French	German	Spanish	Remarks
1	3611M009	1	Plate	Plate	Plate	Plate	
2	3684N503	1	Joint	Joint Plat	Dichtung	Junta	
3	2314H002	4	Screw	Vis	Schraube	Tornillo	
4	3653A017	1	Bracket	Support Fixation	Haltearm	Bracket	
5	2314H002	1	Screw	Vis	Schraube	Tornillo	
6	2481D456	1	Clip	Clip	Klips	Clip	
7	3624A016	1	Bracket - Lifting	Patte Fixation	Halter	Anillo De Elevación	
8	2314J002	2	Screw	Vis	Schraube	Tornillo	
9	3347A023	1	Adaptor	Adaptateur	Reduziernippel	Adaptador	
10	3611M009	1	Plate	Plate	Plate	Plate	
11	3684N503	1	Joint	Joint Plat	Dichtung	Junta	
12	2314H032	4	Screw	Vis	Schraube	Tornillo	
13	3278A006	1	Plug	Bouchon	Stopfen	Tapón	
14	2415H003	1	O - Ring	Joint Torique	O-Ring	Junta De Tipo O	
15	2431154	1	Plug	Bouchon	Stopfen	Tapón	
16	2431154	1	Plug	Bouchon	Stopfen	Tapón	
17	3617A015	1	Bracket - Lifting	Patte Fixation	Halter	Anillo De Elevación	
18	2314J002	2	Screw	Vis	Schraube	Tornillo	
19	2848A123	1	Switch - Water Temperature	Switch - Water Temperature	Switch - Water Temperature	Switch - Water Temperature	
20	3161C017	1	Cable	Câble	Kabel	Cable	
21	2447375	1	Elbow	Elbow	Elbow	Elbow	
22	2485A118	1	Plug - Cup	Bouchon Mâle, Obturation	Verschlussstopfen	Tapón De Bloqueo	



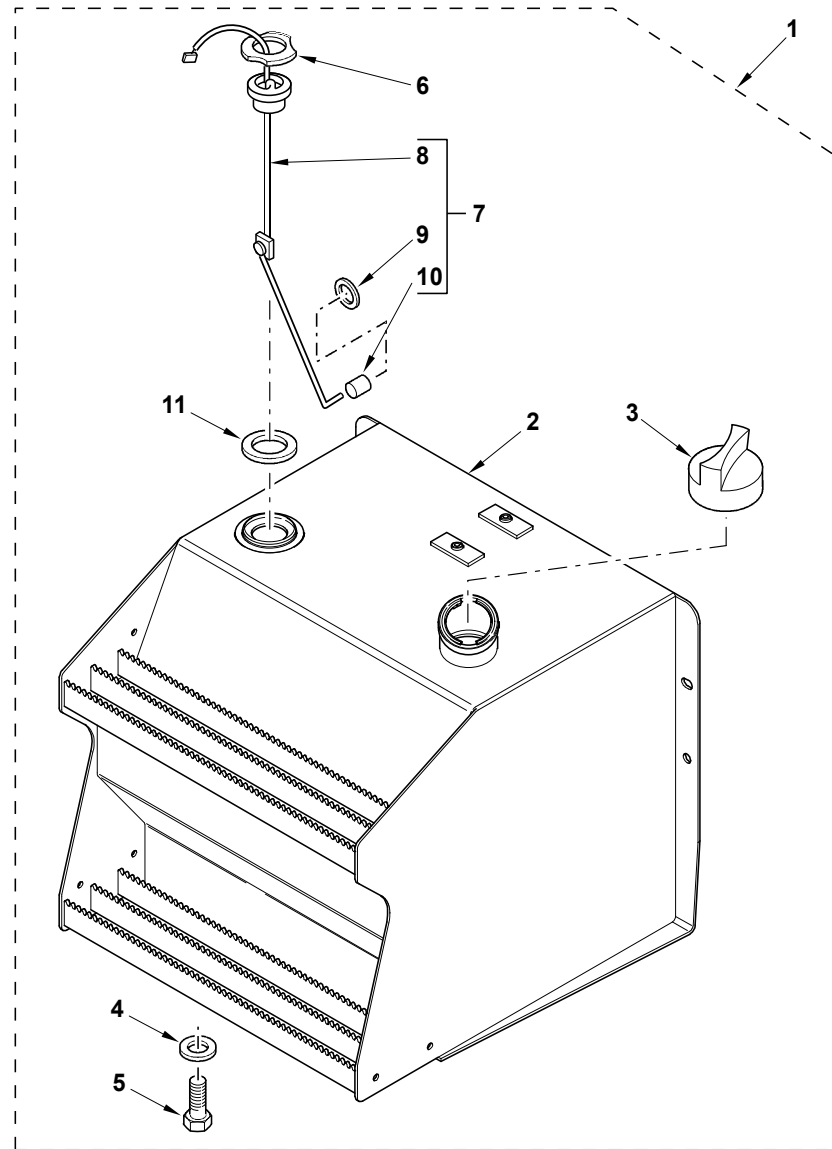
C-22004-01.1-A



Item	Part No.	Qty.	English	French	German	Spanish	Remarks
1	6013102M1	1	Clip Worm Drive Hose - 8/12	Clip	Klips	Clip	
2	6110209M1	1	Hose-Fuel System X 1440	Flexible	Schlauch	Tubo Flexible	
3	6013102M1	1	Clip Worm Drive Hose - 8/12	Clip	Klips	Clip	
4	6110208M3	1	Hose-Fuel System X 1110	Flexible	Schlauch	Tubo Flexible	
5	6013102M1	1	Clip Worm Drive Hose - 8/12	Clip	Klips	Clip	
6	6109741M91	1	Tube Assy - Fuel System	Raccord Coude	Winkelstutzen	Codo	
7	6109741M91	1	Tube Assy - Fuel System	Raccord Coude	Winkelstutzen	Codo	
8	6013102M1	1	Clip Worm Drive Hose - 8/12	Clip	Klips	Clip	
9	6110376M2	1	Hose - 1620 Long	Flexible	Schlauch	Tubo Flexible	
10	6013102M1	1	Clip Worm Drive Hose - 8/12	Clip	Klips	Clip	
11	6013102M1	1	Clip Worm Drive Hose - 8/12	Clip	Klips	Clip	
12	339228X1	1	Bolt, Hex. - M8 X 12 (Coarse)	Boulon M8 X 12	Maschschraube M8	Tornillo	
13	390972X1	2	Washer M8-17-1 Zwl	Rondelle M8	Scheibe - M8	Arandela	
14	3522812M1	2	Clip Spring	Clip	Befestigungshalter	Brida De Fijación	
15	3009505X1	4	Hex. Bolt, M12 X 25 - Coarse	Boulon	Bolzen M12 X 25	Perno	
16	391212X1	4	Washer M12-34-3 Z	Rondelle	Scheibe	Arandela	
17	6112232M92	1	Fuel Tank	Reservoir Carb.	Krftst. Behlter	Tanque De Combust.	See 22004c02.1
18	385362X1	1	Washer, Hardened - M10	Rondelle - M10	Unterlegscheibe M10	Arandela	
19	6111362M1	1	Clip	Circlip	Schelle	Clip	
20	339282X1	1	Screw M10 X 16	Vis	Schraube	Tornillo	
21	3009492X1	2	Bolt - Hex. M10 X 25	Boulon M10 X 25	Schraube M10 X 25	Tornillo	
22	385362X1	2	Washer, Hardened - M10	Rondelle - M10	Unterlegscheibe M10	Arandela	
23	1862425M1	6	Tie 385mm T50I	Attache Cable	Kabelbinder	Enlace De Cable	



C-22004-02.1-B

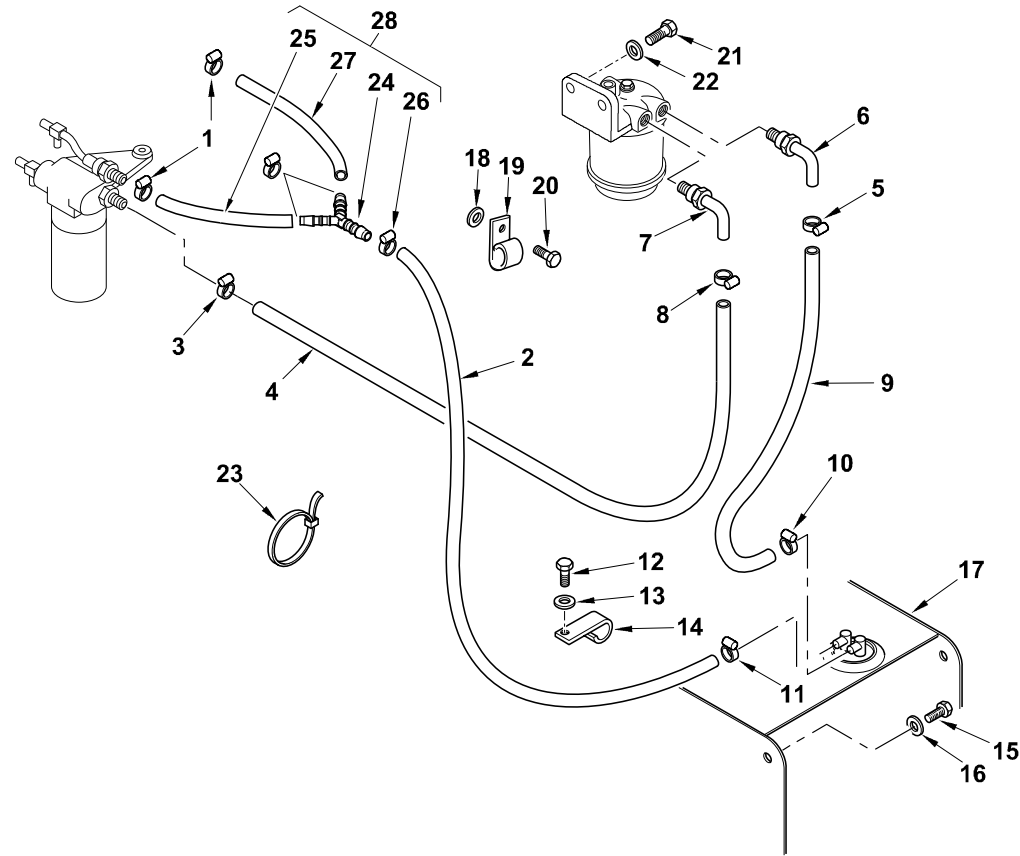




Item	Part No.	Qty.	English	French	German	Spanish	Remarks
1	6112232M92	1	Fuel Tank	Reservoir Carb.	Krftst. Behlter	Tanque De Combust.	
2	#TANK, FUEL	1	Tank, Fuel	Tank, Fuel	Tank, Fuel	Tank, Fuel	Ref. 1
3	6101316M91	1	Cap, Filler - Fuel Tank, (Less Keys)	Event/Bouchon	Verschlusstopfen	Tapón De Llenado	
4	1476281X1	1	Washer, Sealing	Rondelle Joint	Stopfring	Arandela Junta	
5	376501X1	1	Plug Sealing 3/4	Bouchon De Vidange	Ablassschraube	Tapón De Drenaje	
6	1694979M1	1	Ring Locking	Joint D´Arbre	Wellendichtring	Anillo, Estanqueidad	
7	6109152M91	1	Sender Unit	Jauge De Carburant	Kraftstoffanzeige	Calibre De Combustible	
8	#GAUGE	1	Gauge	Gauge	Gauge	Gauge	Ref. 7
9	#RING	1	Ring	Anneau	Ring	Aro	Ref. 7
10	#FLOAT	1	Float	Float	Float	Float	Ref. 7
11	1694980M1	1	Seal Ring	Joint D´Arbre	Wellendichtring	Anillo, Estanqueidad	



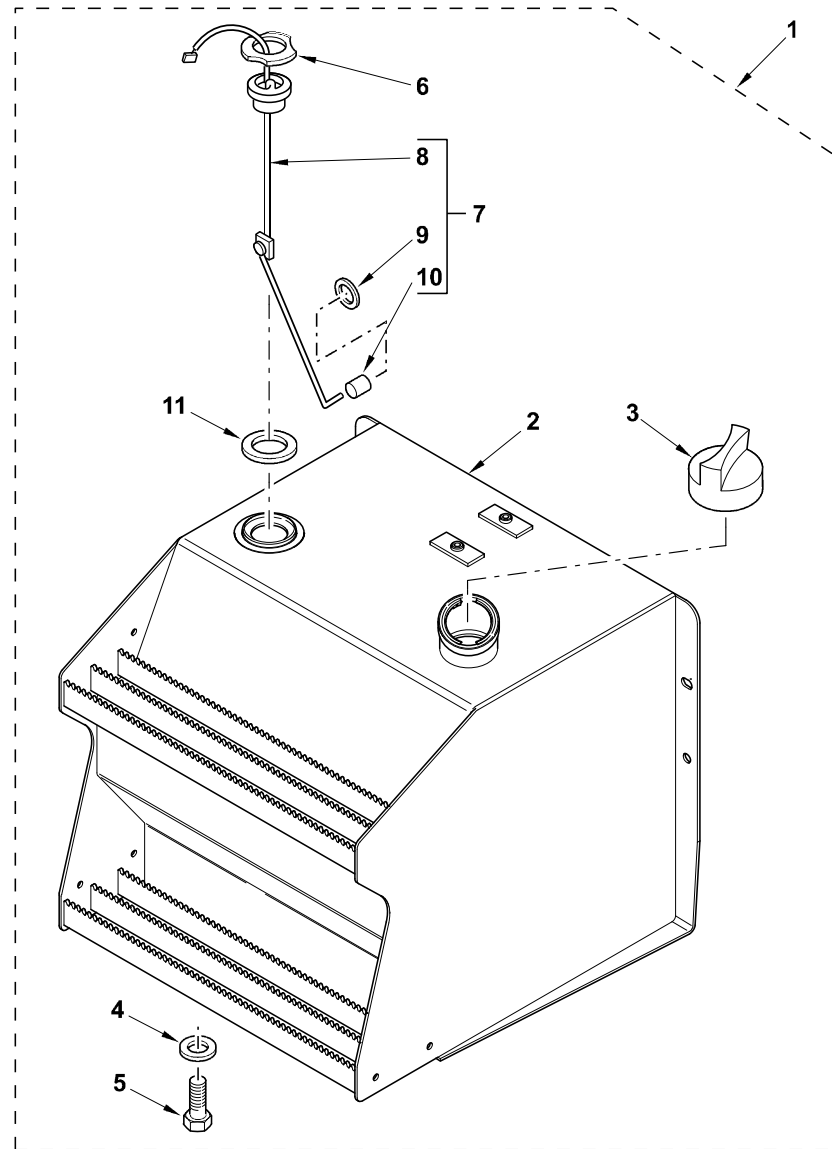
C-22005-01.1-B



Item	Part No.	Qty.	English	French	German	Spanish	Remarks
1	6013102M1	2	Clip Worm Drive Hose - 8/12	Clip	Klips	Clip	
2	6112907M1	1	Hose - Return To Tank	Flexible	Schlauch	Tubo Flexible	
3	6013102M1	1	Clip Worm Drive Hose - 8/12	Clip	Klips	Clip	
4	6110208M3	1	Hose-Fuel System X 1110	Flexible	Schlauch	Tubo Flexible	
5	6013102M1	1	Clip Worm Drive Hose - 8/12	Clip	Klips	Clip	
6	6109741M91	1	Tube Assy - Fuel System	Raccord Coude	Winkelstutzen	Codo	
7	6109741M91	1	Tube Assy - Fuel System	Raccord Coude	Winkelstutzen	Codo	
8	6013102M1	1	Clip Worm Drive Hose - 8/12	Clip	Klips	Clip	
9	6110376M2	1	Hose - 1620 Long	Flexible	Schlauch	Tubo Flexible	
10	6013102M1	1	Clip Worm Drive Hose - 8/12	Clip	Klips	Clip	
11	6013102M1	1	Clip Worm Drive Hose - 8/12	Clip	Klips	Clip	
12	339228X1	1	Bolt, Hex. - M8 X 12 (Coarse)	Boulon M8 X 12	Maschschraube M8	Tornillo	
13	390972X1	2	Washer M8-17-1 Zwel	Rondelle M8	Scheibe - M8	Arandela	
14	3522812M1	2	Clip Spring	Clip	Befestigungshalter	Brida De Fijación	
15	3009505X1	4	Hex. Bolt, M12 X 25 - Coarse	Boulon	Bolzen M12 X 25	Perno	
16	391212X1	4	Washer M12-34-3 Z	Rondelle	Scheibe	Arandela	
17	6112232M92	1	Fuel Tank	Reservoir Carb.	Krftst. Behlter	Tanque De Combust.	See 22005c02.1
18	385362X1	1	Washer, Hardened - M10	Rondelle - M10	Unterlegscheibe M10	Arandela	
19	6111362M1	1	Clip	Circlip	Schelle	Clip	
20	339282X1	1	Screw M10 X 16	Vis	Schraube	Tornillo	
21	3009492X1	2	Bolt - Hex. M10 X 25	Boulon M10 X 25	Schraube M10 X 25	Tornillo	
22	385362X1	2	Washer, Hardened - M10	Rondelle - M10	Unterlegscheibe M10	Arandela	
23	1862425M1	6	Tie 385mm T50I	Attache Cable	Kabelbinder	Enlace De Cable	
24	6112908M1	1	Adaptor 'y' - Fuel System	Adaptateur	Adapter	Adaptador	
25	6112906M1	1	Hose Return To 'y' Adaptor	Flexible	Schlauch	Tubo Flexible	
26	6013102M1	3	Clip Worm Drive Hose - 8/12	Clip	Klips	Clip	
27	6112906M1	1	Hose Return To 'y' Adaptor	Flexible	Schlauch	Tubo Flexible	
28	6114489M91	1	Hose Assy Fuel Return	Ensemble Durit	Schlauch Kpl	Con.De Manguera	

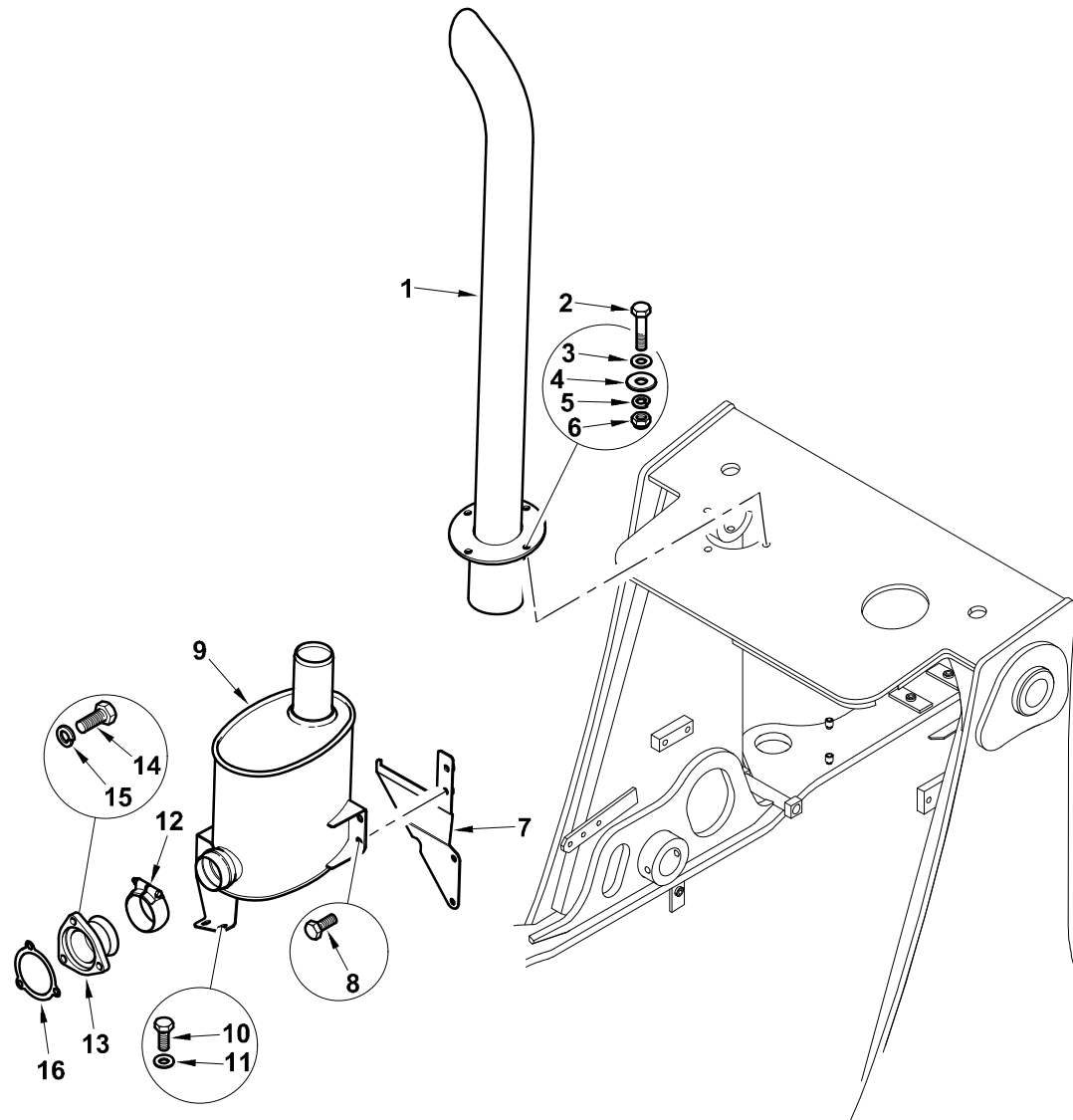


C-22005-02.1-B



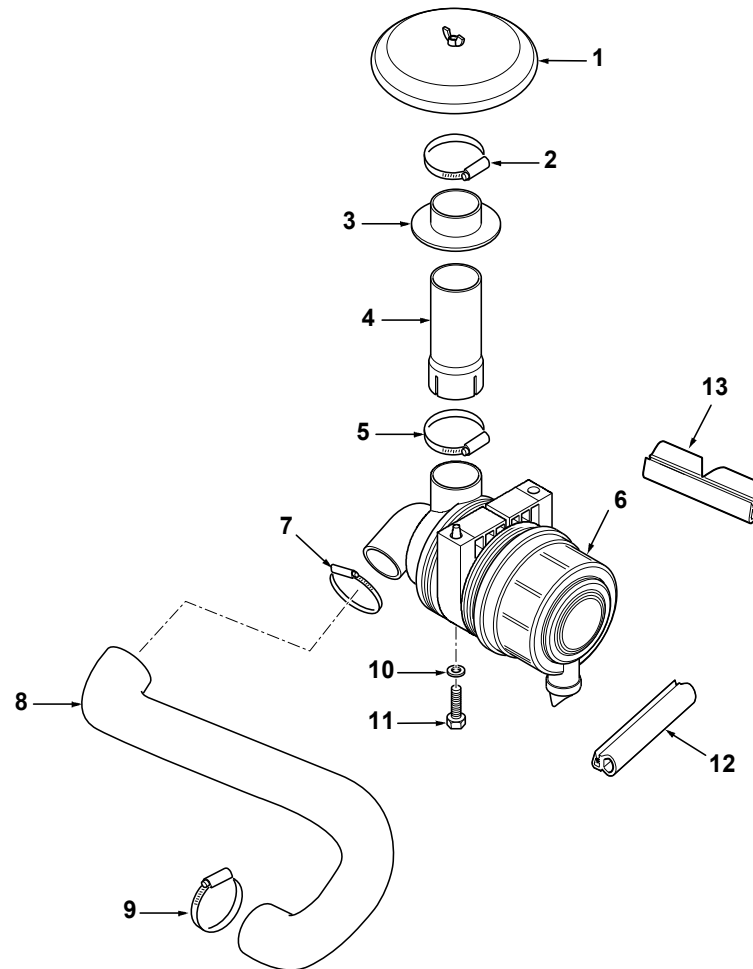
Item	Part No.	Qty.	English	French	German	Spanish	Remarks
1	6112232M92	1	Fuel Tank	Reservoir Carb.	Krftst. Behlter	Tanque De Combust.	
2	#TANK, FUEL	1	Tank, Fuel	Tank, Fuel	Tank, Fuel	Tank, Fuel	Ref. 1
3	6101316M91	1	Cap, Filler - Fuel Tank, (Less Keys)	Event/Bouchon	Verschlusstopfen	Tapón De Llenado	
4	1476281X1	1	Washer, Sealing	Rondelle Joint	Stopfring	Arandela Junta	
5	376501X1	1	Plug Sealing 3/4	Bouchon De Vidange	Ablassschraube	Tapón De Drenaje	
6	1694979M1	1	Ring Locking	Joint D´Arbre	Wellendichtring	Anillo, Estanqueidad	
7	6109152M91	1	Sender Unit	Jauge De Carburant	Kraftstoffanzeige	Calibre De Combustible	
8	#GAUGE	1	Gauge	Gauge	Gauge	Gauge	Ref. 7
9	#RING	1	Ring	Anneau	Ring	Aro	Ref. 7
10	#FLOAT	1	Float	Float	Float	Float	Ref. 7
11	1694980M1	1	Seal Ring	Joint D´Arbre	Wellendichtring	Anillo, Estanqueidad	

C-23011-01.1-A



Item	Part No.	Qty.	English	French	German	Spanish	Remarks
1	6111832M1	1	Stack Welded Assembly	Pot D'Échappement	Auslassrohr	Tubo De Escape	
2	339009X1	4	Bolt - M8 X 35	Boulon M8 X 35	Maschschraube M8	Tornillo	
3	385361X1	4	Washer M8 Hardened	Rondelle M8	Scheibe M8	Arandela	
4	391039X1	4	Washer M8-24-2 Z	Rondelle M8	Scheibe M8	Arandela	
5	339374X1	4	Washer M8 -21-2 Z	Rondelle Frein - M8	Federring - M8	Arandela De Freno	
6	339169X1	4	Nut, Hex. - M8, Coarse	Ecrou Métrique	Mutter Metrisch	Tuerca	
7	6111876M1	1	Bracket - Silencer	Ensemble Chaise Pali	Bremsanlage	Cuchara, Conj.	
8	339123X1	2	Bolt M8-20 Z5f	Boulon M8 X 20	Maschschraube M8	Perno	
9	6111833M1	1	Silencer	Silencieux	Schalldampfer	Silenciador	
10	339123X1	2	Bolt M8-20 Z5f	Boulon M8 X 20	Maschschraube M8	Perno	
11	385361X1	2	Washer M8 Hardened	Rondelle M8	Scheibe M8	Arandela	
12	6111878M1	1	Clamp - Exhaust	Collier De Serrage	Klemme	Argolla De Cierre	
13	6111877M1	1	Flange- Exhaust Turbo	Flasque	Flansch	Brida De Unión	
14	3009492X1	3	Bolt - Hex. M10 X 25	Boulon M10 X 25	Schraube M10 X 25	Tornillo	
15	339376X1	3	Washer M10-18-2 Zsp	Rondelle Frein	Federring	Arandela De Freno	
16	6111392M1	1	Gasket - Exhaust	Joint	Dichtscheibe	Empaquetadura	

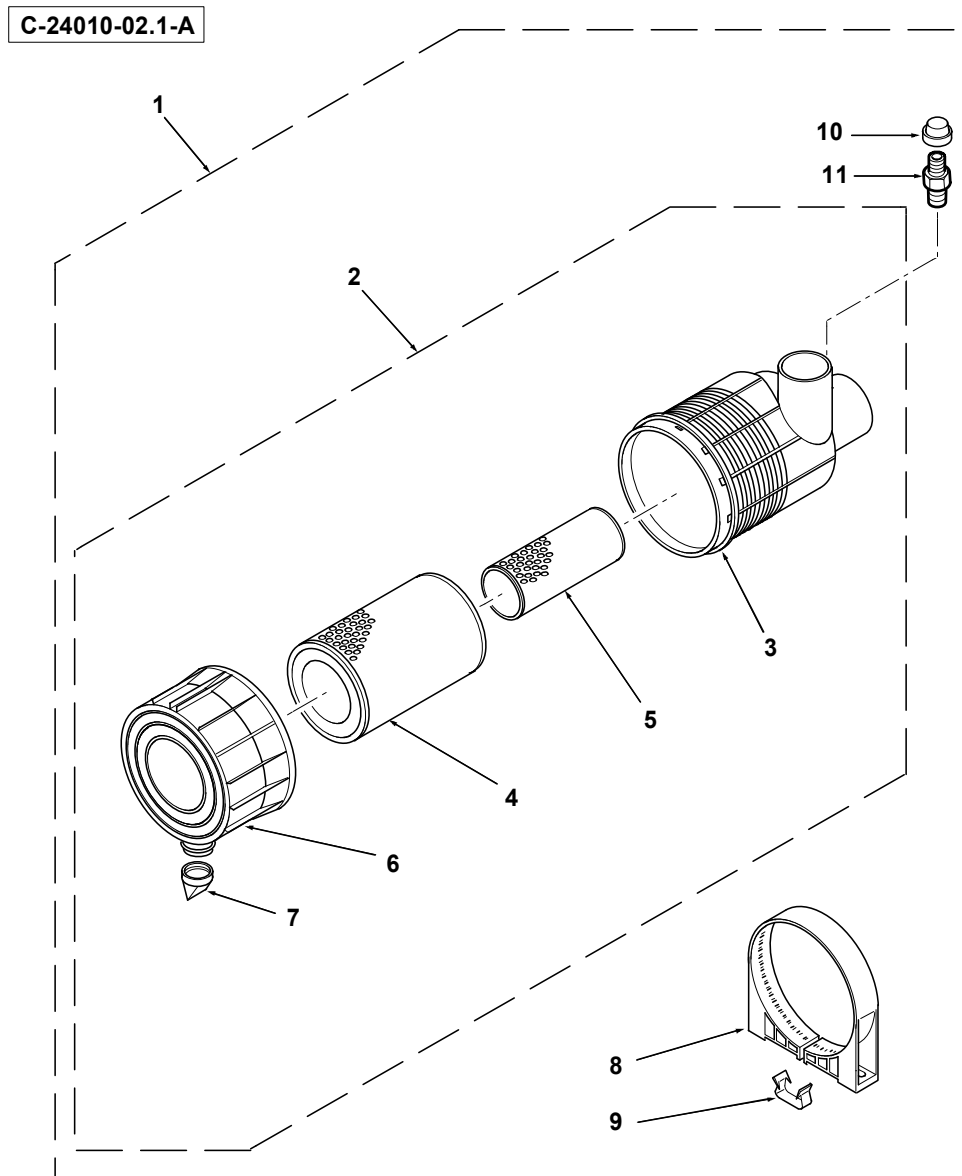
C-24010-01.1-B





Item	Part No.	Qty.	English	French	German	Spanish	Remarks
1	6003555M1	1	Raincap	Chapeau	Kappe	Sombrerete	
2	3517729M1	1	Clip-Worm-Drive	Bride Pour Tutaux	Schlauchschelle	Collar	
3	6003409M1	1	Hose-Bonnet	Joint D´Arbre	Wellendichtring	Junta	
4	6108477M1	1	Tube - Air Intake	Chambre À Air	Luftleitkanal	Cámara De Aire	
5	3517729M1	1	Clip-Worm-Drive	Bride Pour Tutaux	Schlauchschelle	Collar	
6	6107336M91	1	Air Cleaner	Filtre A Air	Luft•lter	Filtro De Aire, Conj.	24010c02.1 1
7	3517729M1	1	Clip-Worm-Drive	Bride Pour Tutaux	Schlauchschelle	Collar	
8	6110103M2	1	Hose - Turbo	Flexible	Schlauch	Tube Flexible	
9	3517415M1	1	Clip Hose 60/80	Bride Pour Tutaux	Schlauchschelle	Collar	
10	390972X1	2	Washer M8-17-1 Zwl	Rondelle M8	Scheibe - M8	Arandela	
11	339761X1	2	Bolt M8-25 Z5f	Goupille	Bolzen M8 X 25	Tornillo	
12	6110471M1	1	Rubber Seal	Joint D´Arbre	Wellendichtring	Junta	
13	6110472M1	1	Rubber Seal	Joint D´Arbre	Wellendichtring	Junta	

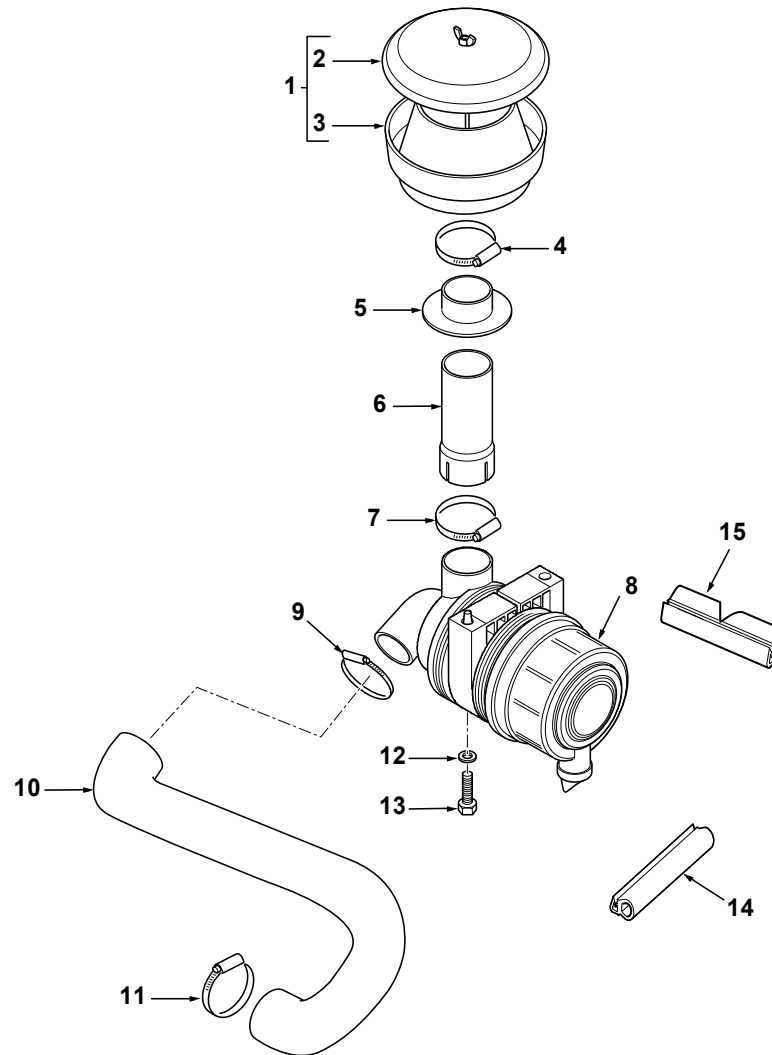




Item	Part No.	Qty.	English	French	German	Spanish	Remarks
1	6107336M91	1	Air Cleaner	Filtre A Air	Luft•lter	Filtro De Aire, Conj.	24010c01.1 6
2	6190630M92	1	Cleaner Air	Ensemble De Corps	Karosserie Kpl	Cuerpo, Conj.	
3	#BODY	1	Body	Body	Body	Body	Ref. 2
4	6190627M1	1	Element, Main Outer - Air Cleaner	Element Filt Air	Luft•ltereins	Elemento Filtrante	
5	6190628M1	1	Element - Inner Safety - Air Cleaner	Elément Filt Air	Luft•ltereins	Elemento Filtrante	
6	6190654M91	1	Cover Filter	Couvercle De Filtre	Filterdeckel	Tapa De Filtro	
7	6193599M91	1	Valve	Soupape	Ventil	Válvula	
8	6193600M1	1	Mounting Band Air Cleaner	Collier De Fixation	Befestigungsschelle	Argolla De Fijación	
9	6193609M1	2	Clip - Air Cleaner	Clip	Klips	Clip	
10	3595498M1	1	Switch - Air Restriction Indicator	Interrupteur	Schalter	Indicador	
11	6190653M1	1	Adaptor - Air Cleaner Blockage Indicator	Raccord	Verschraubung	Racor	



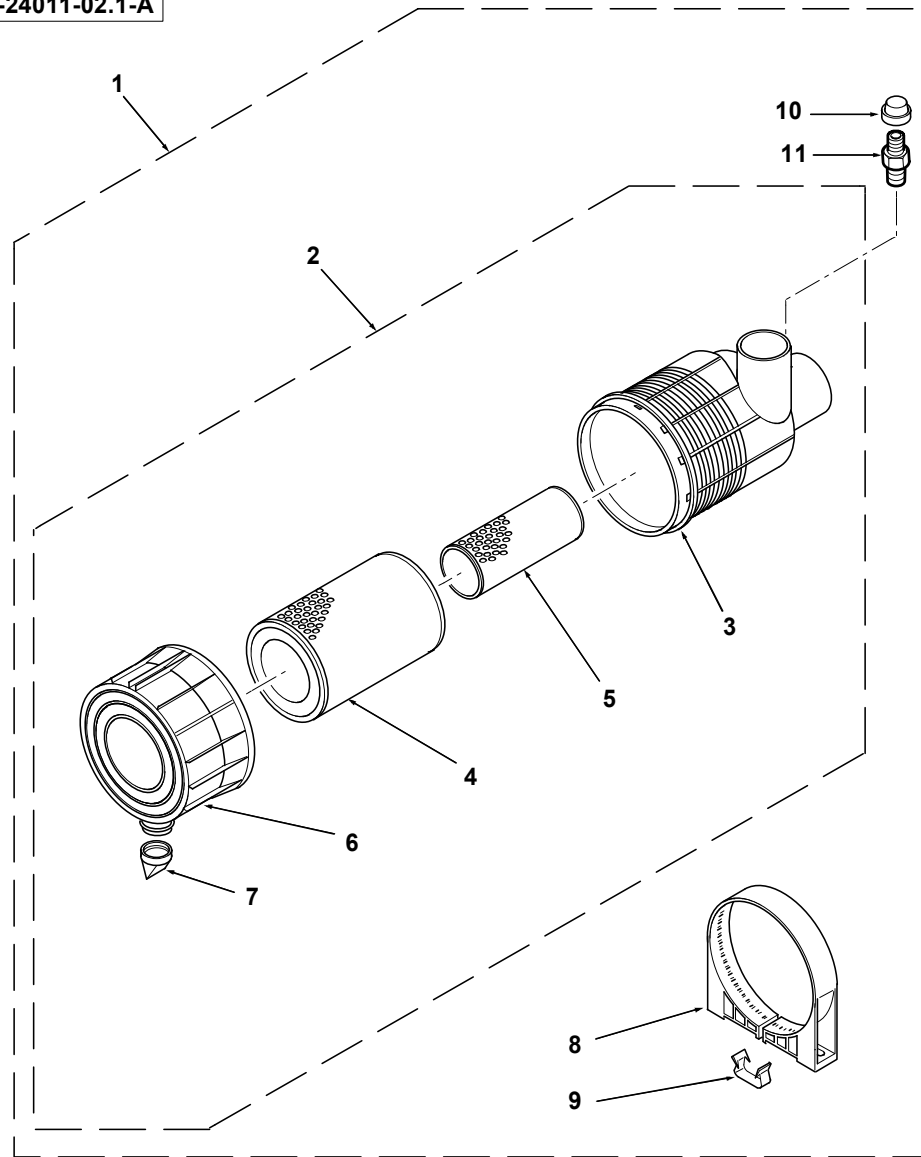
C-24011-01.1-B



Item	Part No.	Qty.	English	French	German	Spanish	Remarks
1	6100634M91	1	Pre-Cleaner Assy	Filtre À Air, Montage	Luft•lter, Kpl.	Filtro, Conj.	
2	#COVER	1	Cover	Cover	Cover	Cover	Ref. 1
3	#BOWL	1	Bowl	Bowl	Bowl	Bowl	Ref. 1
4	3517729M1	1	Clip-Worm-Drive	Bride Pour Tutaux	Schlauchschelle	Collar	
5	6003409M1	1	Hose-Bonnet	Joint D ´Arbre	Wellendichtring	Junta	
6	6108477M1	1	Tube - Air Intake	Chambre À Air	Luftleitkanal	Cámara De Aire	
7	3517729M1	1	Clip-Worm-Drive	Bride Pour Tutaux	Schlauchschelle	Collar	
8	6107336M91	1	Air Cleaner	Filtre A Air	Luft•lter	Filtro De Aire, Conj.	24011c02.1 1
9	3517729M1	1	Clip-Worm-Drive	Bride Pour Tutaux	Schlauchschelle	Collar	
10	6110103M2	1	Hose - Turbo	Flexible	Schlauch	Tubo Flexible	
11	3517415M1	1	Clip Hose 60/80	Bride Pour Tutaux	Schlauchschelle	Collar	
12	390972X1	2	Washer M8-17-1 Zwl	Rondelle M8	Scheibe - M8	Arandela	
13	339761X1	2	Bolt M8-25 Z5f	Goupille	Bolzen M8 X 25	Tornillo	
14	6110471M1	1	Rubber Seal	Joint D ´Arbre	Wellendichtring	Junta	
15	6110472M1	1	Rubber Seal	Joint D ´Arbre	Wellendichtring	Junta	



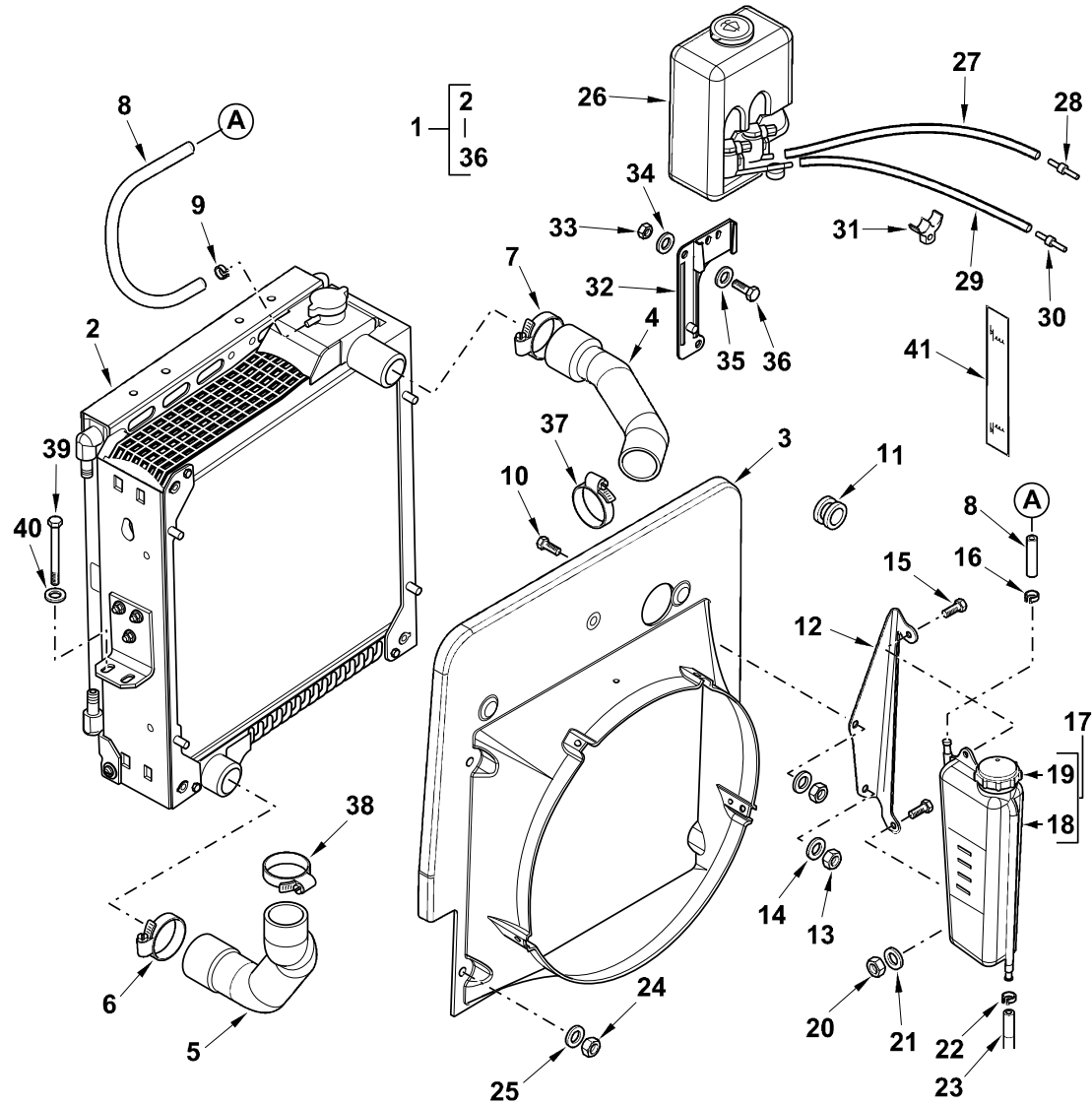
C-24011-02.1-A



Item	Part No.	Qty.	English	French	German	Spanish	Remarks
1	6107336M91	1	Air Cleaner	Filtre A Air	Luft•lter	Filtro De Aire, Conj.	24011c01.1 8
2	6190630M92	1	Cleaner Air	Ensemble De Corps	Karosserie Kpl	Cuerpo, Conj.	
3	#BODY	1	Body	Body	Body	Body	Ref. 2
4	6190627M1	1	Element, Main Outer - Air Cleaner	Element Filt Air	Luft•ltereins	Elemento Filtrante	
5	6190628M1	1	Element - Inner Safety - Air Cleaner	Elément Filt Air	Luft•ltereins	Elemento Filtrante	
6	6190654M91	1	Cover Filter	Couvercle De Filtre	Filterdeckel	Tapa De Filtro	
7	6193599M91	1	Valve	Soupape	Ventil	Válvula	
8	6193600M1	1	Mounting Band Air Cleaner	Collier De Fixation	Befestigungsschelle	Argolla De Fijación	
9	6193609M1	2	Clip - Air Cleaner	Clip	Klips	Clip	
10	3595498M1	1	Switch - Air Restriction Indicator	Interrupteur	Schalter	Indicador	
11	6190653M1	1	Adaptor - Air Cleaner Blockage Indicator	Raccord	Verschraubung	Racor	



C-25011-01.1-B

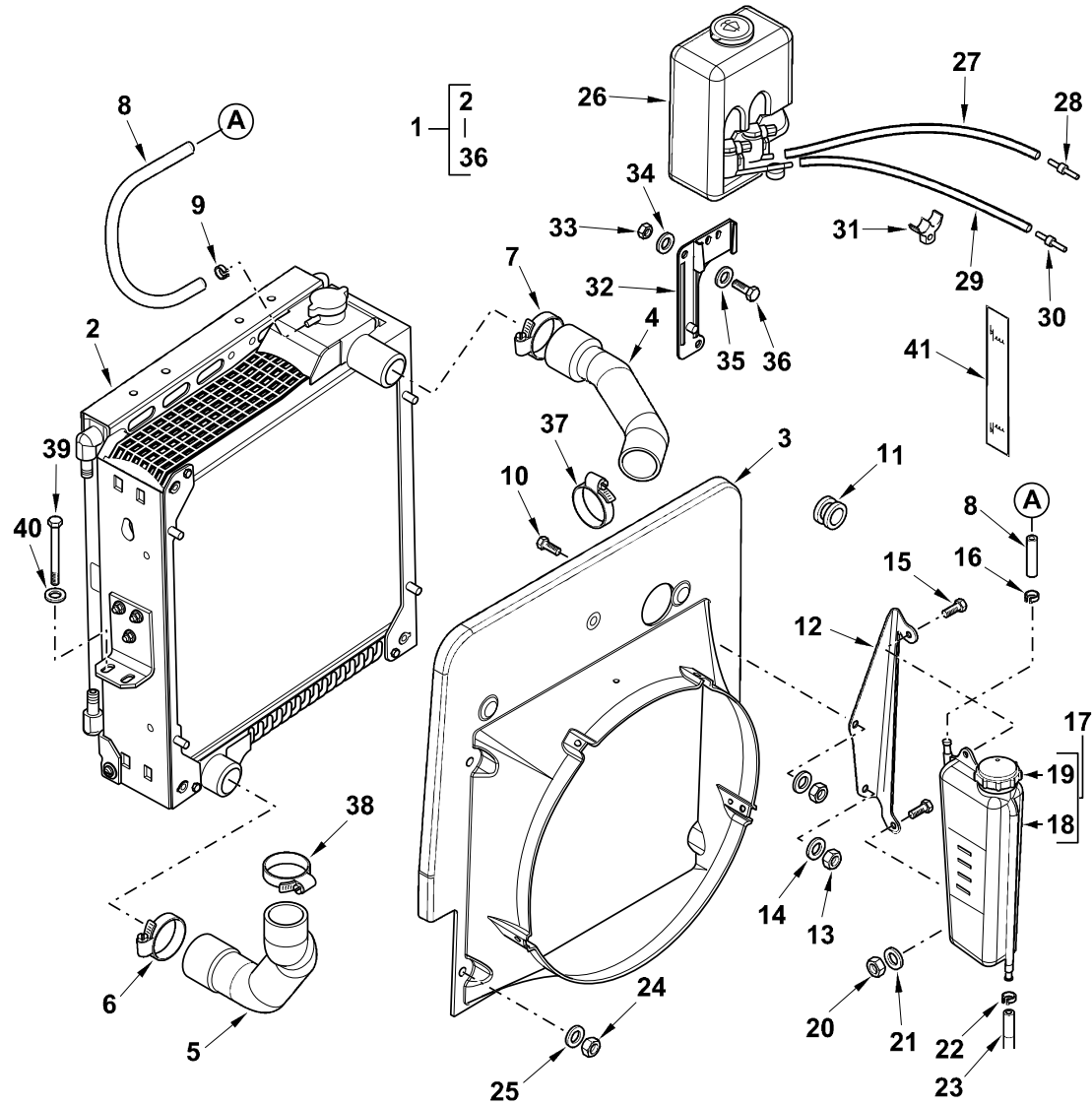




Item	Part No.	Qty.	English	French	German	Spanish	Remarks
1	6110147M91	1	Cooling W/O Aircon - High Level Assy	Ensemble De Radiateur	Motorkühler Kpl.	Radiador, Conj.	
2	6109204M91	1	Radiator/Cooler Assy W/O Aircon	Ensemble De Radiateur	Motorkühler Kpl.	Radiador, Conj.	25011c02.1 1
3	6110011M1	1	Fan Cowl	Capot	Haube	Capotaje	
4	6110104M1	1	Hose - Radiator Top	Flexible	Schlauch	Tubo Flexible	
5	6109171M1	1	Hose - Radiator Bottom	Flexible	Schlauch	Tubo Flexible	
6	3517415M1	1	Clip Hose 60/80	Bride Pour Tuyaux	Schlauchschelle	Collar	
7	3517415M1	1	Clip Hose 60/80	Bride Pour Tuyaux	Schlauchschelle	Collar	
8	6109001M1	1	Hose - Expansion Bottle	Flexible	Schlauch	Tubo Flexible	
9	6100555M1	1	Clip Pipe	Collier Pour Tuyaux	Rohrschelle	Argolla De Cierre	
10	3009492X1	1	Bolt - Hex. M10 X 25	Boulon M10 X 25	Schraube M10 X 25	Tornillo	
11	3522133M2	1	Grommet 15.9-20.6	Passe-Fil	Tülle	Pasa Cable	
12	6108999M1	1	Bracket-Expansion Bottle	Patte Fixation	Halter	Pata De Fijación	
13	1441932X1	2	Nut M10 Z5 Lock	Ecrou Blocage - M10	Flashmutter - M10	Tuerca	
14	390734X1	2	Washer M10-21-2 Z	Rondelle - M10	Unterlegscheibe	Arandela	
15	339123X1	2	Bolt M8-20 Z5f	Boulon M8 X 20	Maschschraube M8	Perno	
16	6100555M1	1	Clip Pipe	Collier Pour Tuyaux	Rohrschelle	Argolla De Cierre	
17	6109901M91	1	Bottle - Expansion	Bouteille	Flasche	Vasija De Expansión	
18	#RESERVOIR	1	Reservoir	Reservoir	Reservoir	Reservoir	Ref. 17
19	#CAP	1	Cap	Chapeau	Kappe	Tapa	Ref. 17
20	1441461X1	2	Nut M8 Z5 Lock	Ecrou	Mutter	Tuerca	
21	390972X1	2	Washer M8-17-1 Zwl	Rondelle M8	Scheibe - M8	Arandela	
22	6100555M1	1	Clip Pipe	Collier Pour Tuyaux	Rohrschelle	Argolla De Cierre	
23	6109001M2	1	Hose - Expansion Bottle	Flexible	Schlauch	Tubo Flexible	
24	1441932X1	3	Nut M10 Z5 Lock	Ecrou Blocage - M10	Flashmutter - M10	Tuerca	
25	390734X1	3	Washer M10-21-2 Z	Rondelle - M10	Unterlegscheibe	Arandela	
26	6110964M91	1	Washer Bottle	Ensemble De Réservoir	Behälter Kpl.	Depósito, Conj.	
27	3516102M1	1	Tubing Water Bottle	Tube	Rohr	Tubo	
28	3516103M1	1	Connector Water Tubing	Connecteur	Steckverbindung	Conector	
29	3516102M1	1	Tubing Water Bottle	Tube	Rohr	Tubo	
30	3516103M1	1	Connector Water Tubing	Connecteur	Steckverbindung	Conector	



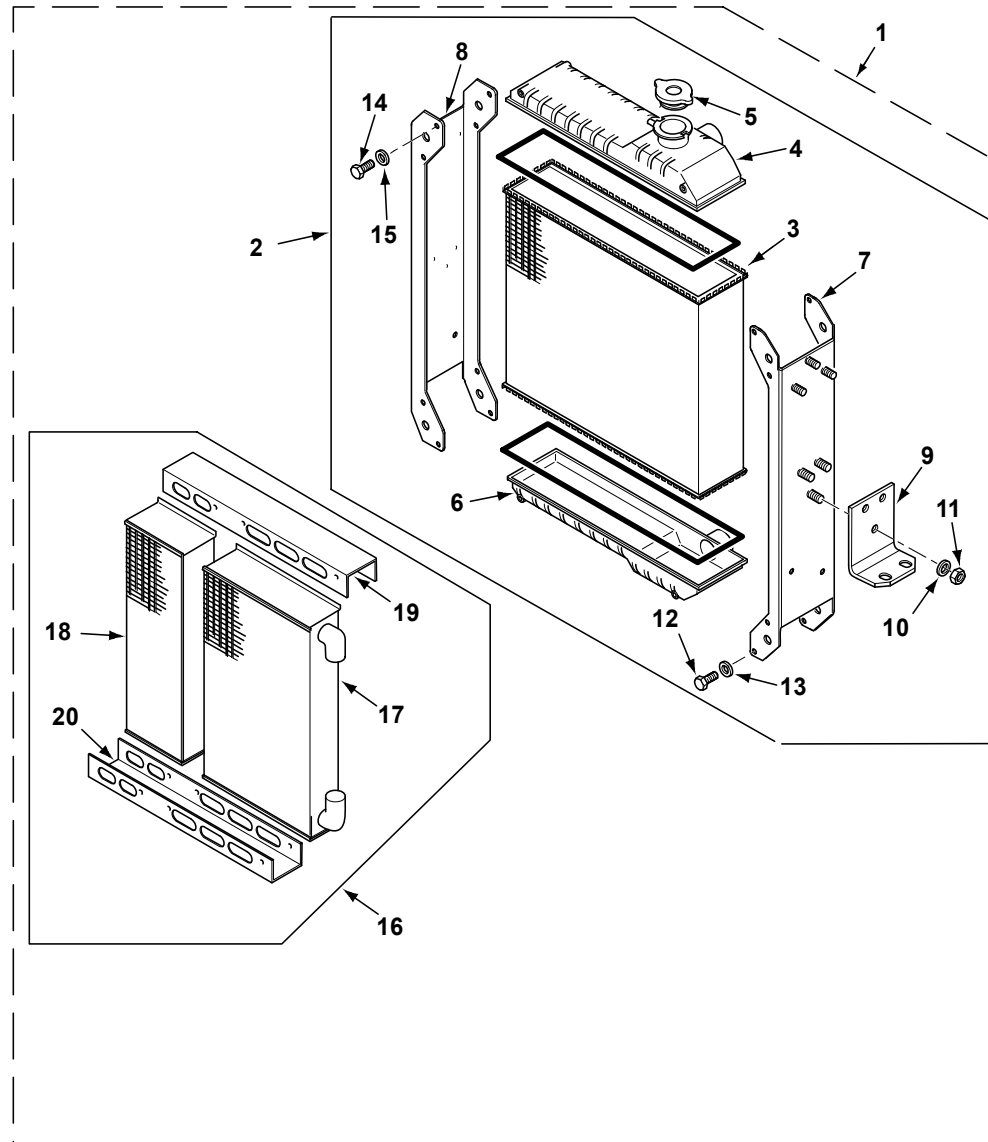
C-25011-01.1-B



Item	Part No.	Qty.	English	French	German	Spanish	Remarks
31	3520363M1	2	Clip Pipe	Clip	Klips	Clip	
32	6112240M2	1	Bracket - Washer Bottle	Support Fixation	Haltearm	Soporte De Fijación	
33	1441932X1	1	Nut M10 Z5 Lock	Ecrou Blocage - M10	Flashmutter - M10	Tuerca	
34	390734X1	1	Washer M10-21-2 Z	Rondelle - M10	Unterlegscheibe	Arandela	
35	390734X1	1	Washer M10-21-2 Z	Rondelle - M10	Unterlegscheibe	Arandela	
36	3009492X1	1	Bolt - Hex. M10 X 25	Boulon M10 X 25	Schraube M10 X 25	Tornillo	
37	3517415M1	1	Clip Hose 60/80	Bride Pour Tutaux	Schlauchschelle	Collar	
38	3517415M1	1	Clip Hose 60/80	Bride Pour Tutaux	Schlauchschelle	Collar	
39	3009505X1	4	Hex. Bolt, M12 X 25 - Coarse	Boulon	Bolzen M12 X 25	Perno	
40	385363X1	4	Washer, M12 - Hardened	Rondelle M12	Scheibe M12	Arandela	
41	6100661M1	1	Decal- Coolant Level	Decalcolmanie	Abziehbild	Placa	



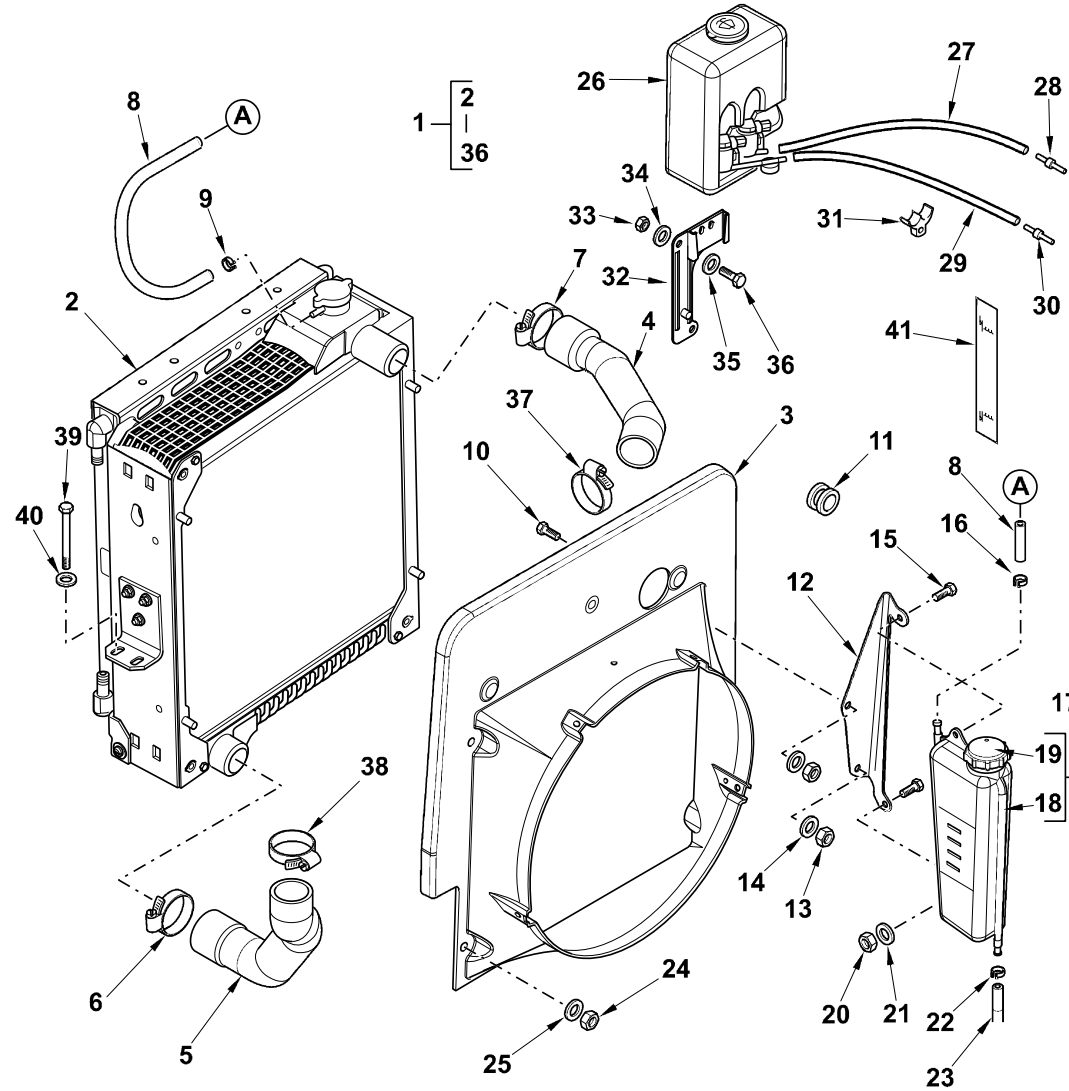
C-25011-02.1-A



Item	Part No.	Qty.	English	French	German	Spanish	Remarks
1	6109204M91	1	Radiator/Cooler Assy W/O Aircon	Ensemble De Radiateur	Motorkühler Kpl.	Radiador, Conj.	25011c01.1 2
2	6108985M91	1	Radiator Assy	Radiateur Ass.	Motorkühler Kplt	Radiador	
3	#ELEMENT	1	Element	Element	Element	Element	Ref. 2
4	#COVER	1	Cover	Cover	Cover	Cover	Ref. 2
5	6190650M1	1	Filler Cap Radiator	Bouchon Rempliss.	Einfülldeckel	Tapón De Llenado	
6	#COVER	1	Cover	Cover	Cover	Cover	Ref. 2
7	6194151M91	1	Support LH	Ensemble De Support	Haltevorrichtung Kpl.	Apoyadero, Conj.	
8	6194152M91	1	Support RH	Ensemble De Support	Haltevorrichtung Kpl.	Apoyadero, Conj.	
9	6194153M1	2	Bracket	Patte Fixation	Halter	Pata De Fijación	
10	6190793M1	6	Washer	Rondelle	Scheibe	Arandela	
11	6190792M1	6	Safety Nut	Ecrou	Mutter	Tuerca De Retención	
12	6190790M1	4	Screw	Vis	Schraube	Tornillo	
13	6190791M1	4	Washer	Rondelle	Scheibe	Arandela	
14	6190790M1	4	Screw	Vis	Schraube	Tornillo	
15	6190791M1	4	Washer	Rondelle	Scheibe	Arandela	
16	6109684M91	1	Cooler Assy	Refrroidisseur	Kühler	Aceite Conjunto Enfr.	
17	#ELEMENT	1	Element	Element	Element	Element	Ref. 16
18	#ELEMENT	1	Element	Element	Element	Element	Ref. 16
19	6194155M1	1	Support	Support	Haltevorrichtung	Soporte	
20	6194154M1	1	Support	Support	Haltevorrichtung	Soporte	



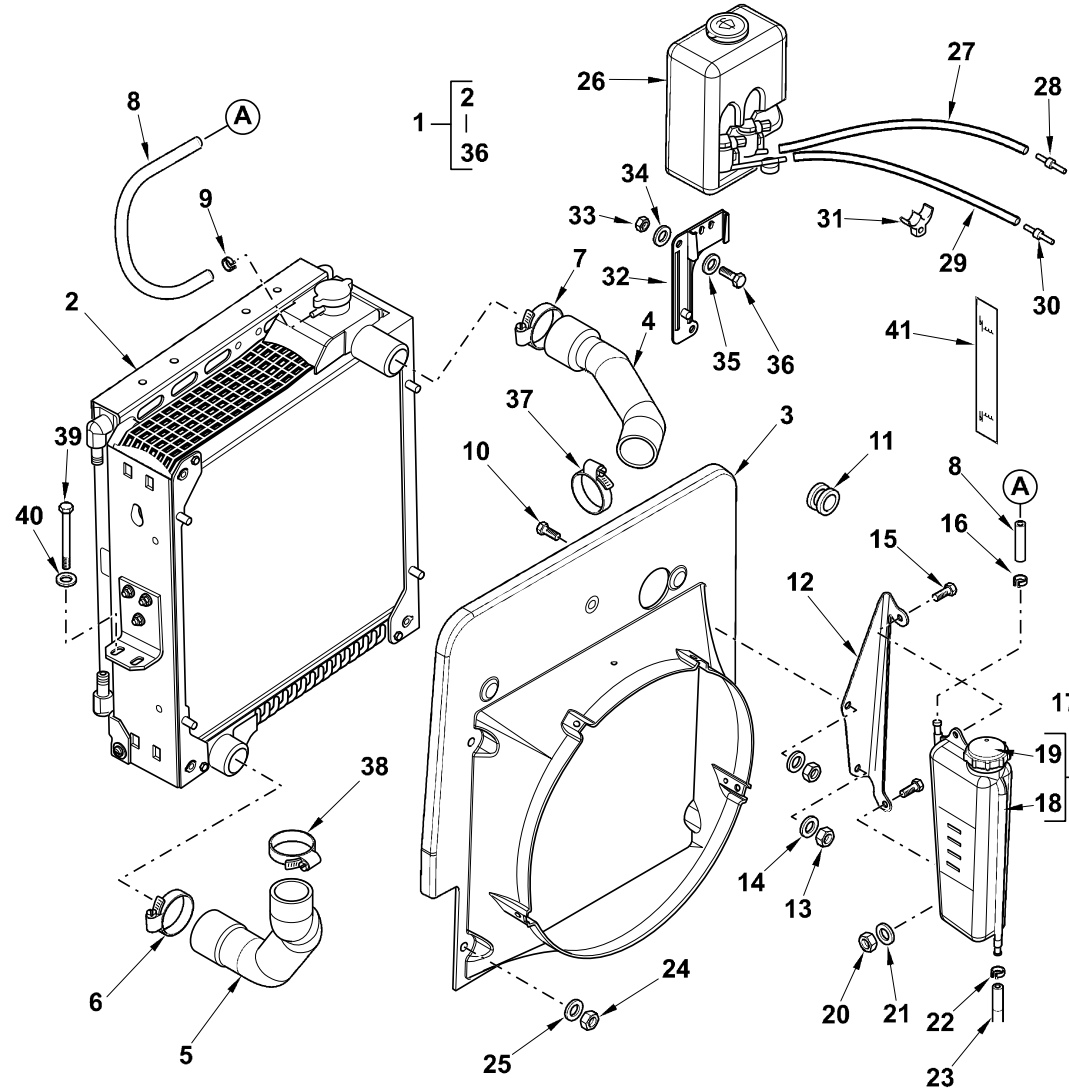
C-25012-01.1-B



Item	Part No.	Qty.	English	French	German	Spanish	Remarks
1	6110148M91	1	Cooling With Aircon High Level Assy	Ensemble De Radiateur	Motorkühler Kpl.	Radiador, Conj.	
2	6108984M91	1	Radiator/Cooler Assy With Aircon	Radiateur	Kühler	Radiador, Conj.	25012c02.1 1
3	6110011M1	1	Fan Cowl	Capot	Haube	Capotaje	
4	6110104M1	1	Hose - Radiator Top	Flexible	Schlauch	Tubo Flexible	
5	6109171M1	1	Hose - Radiator Bottom	Flexible	Schlauch	Tubo Flexible	
6	3517415M1	1	Clip Hose 60/80	Bride Pour Tuyaux	Schlauchschelle	Collar	
7	3517415M1	1	Clip Hose 60/80	Bride Pour Tuyaux	Schlauchschelle	Collar	
8	6109001M1	1	Hose - Expansion Bottle	Flexible	Schlauch	Tubo Flexible	
9	6100555M1	1	Clip Pipe	Collier Pour Tuyaux	Rohrschelle	Argolla De Cierre	
10	3009492X1	1	Bolt - Hex. M10 X 25	Boulon M10 X 25	Schraube M10 X 25	Tornillo	
11	3522133M2	1	Grommet 15.9-20.6	Passe-Fil	Tülle	Pasa Cable	
12	6108999M1	1	Bracket-Expansion Bottle	Patte Fixation	Halter	Pata De Fijación	
13	1441932X1	2	Nut M10 Z5 Lock	Ecrou Blocage - M10	Flashmutter - M10	Tuerca	
14	390734X1	2	Washer M10-21-2 Z	Rondelle - M10	Unterlegscheibe	Arandela	
15	339123X1	2	Bolt M8-20 Z5f	Boulon M8 X 20	Maschschraube M8	Perno	
16	6100555M1	1	Clip Pipe	Collier Pour Tuyaux	Rohrschelle	Argolla De Cierre	
17	6109901M91	1	Bottle - Expansion	Bouteille	Flasche	Vasija De Expansión	
18	#RESERVOIR	1	Reservoir	Reservoir	Reservoir	Reservoir	Ref. 17
19	#CAP	1	Cap	Chapeau	Kappe	Tapa	Ref. 17
20	1441461X1	2	Nut M8 Z5 Lock	Ecrou	Mutter	Tuerca	
21	390972X1	2	Washer M8-17-1 Zwl	Rondelle M8	Scheibe - M8	Arandela	
22	6100555M1	1	Clip Pipe	Collier Pour Tuyaux	Rohrschelle	Argolla De Cierre	
23	6109001M2	1	Hose - Expansion Bottle	Flexible	Schlauch	Tubo Flexible	
24	1441932X1	3	Nut M10 Z5 Lock	Ecrou Blocage - M10	Flashmutter - M10	Tuerca	
25	390734X1	3	Washer M10-21-2 Z	Rondelle - M10	Unterlegscheibe	Arandela	
26	6110964M91	1	Washer Bottle	Ensemble De Réservoir	Behälter Kpl.	Depósito, Conj.	
27	3516102M1	1	Tubing Water Bottle	Tube	Rohr	Tubo	
28	3516103M1	1	Connector Water Tubing	Connecteur	Steckverbindung	Conector	
29	3516102M1	1	Tubing Water Bottle	Tube	Rohr	Tubo	
30	3516103M1	1	Connector Water Tubing	Connecteur	Steckverbindung	Conector	



C-25012-01.1-B

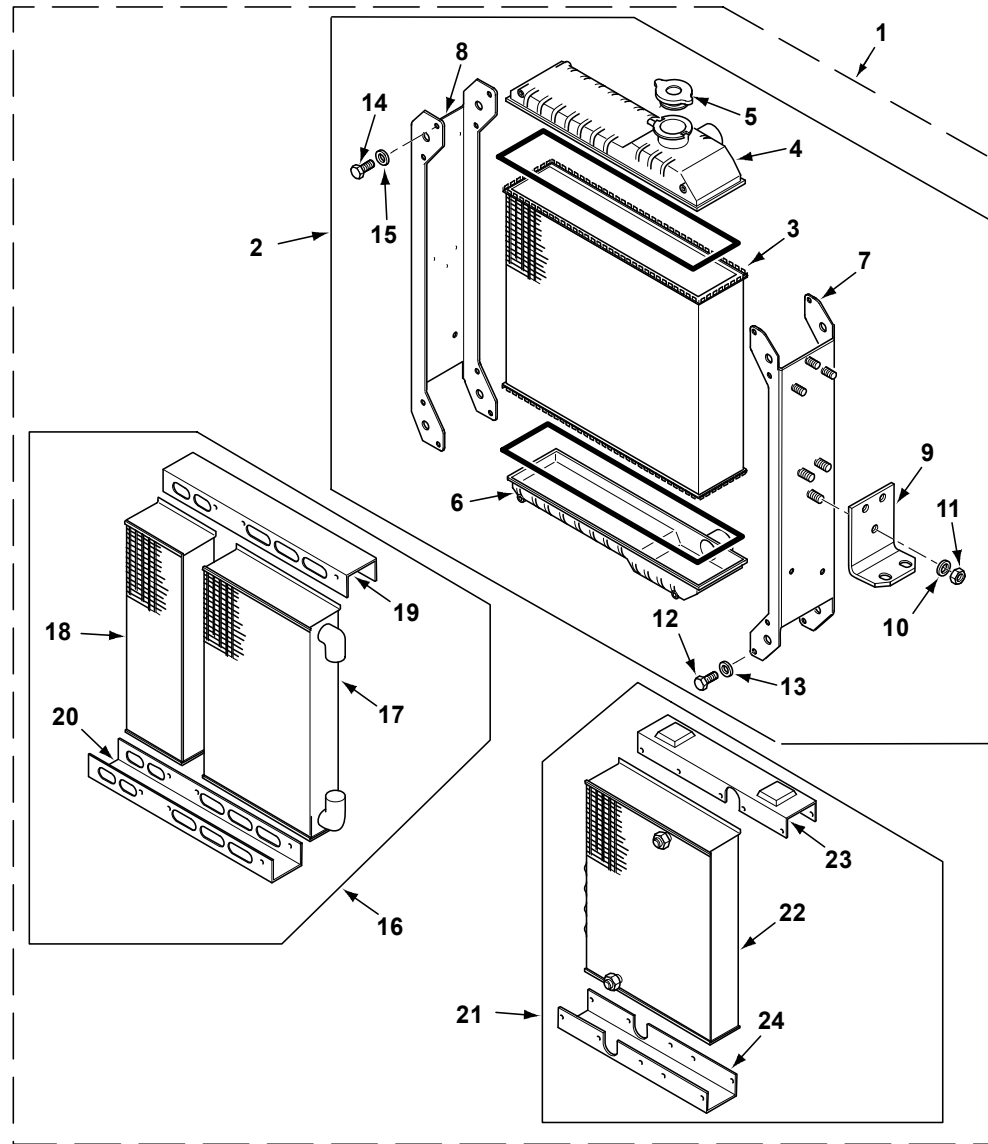




Item	Part No.	Qty.	English	French	German	Spanish	Remarks
31	3520363M1	2	Clip Pipe	Clip	Klips	Clip	
32	6112240M2	1	Bracket - Washer Bottle	Support Fixation	Haltearm	Soporte De Fijación	
33	1441932X1	1	Nut M10 Z5 Lock	Ecrou Blocage - M10	Flashmutter - M10	Tuerca	
34	390734X1	1	Washer M10-21-2 Z	Rondelle - M10	Unterlegscheibe	Arandela	
35	390734X1	1	Washer M10-21-2 Z	Rondelle - M10	Unterlegscheibe	Arandela	
36	3009492X1	1	Bolt - Hex. M10 X 25	Boulon M10 X 25	Schraube M10 X 25	Tornillo	
37	3517415M1	1	Clip Hose 60/80	Bride Pour Tutaux	Schlauchschelle	Collar	
38	3517415M1	1	Clip Hose 60/80	Bride Pour Tutaux	Schlauchschelle	Collar	
39	3009505X1	4	Hex. Bolt, M12 X 25 - Coarse	Boulon	Bolzen M12 X 25	Perno	
40	385363X1	4	Washer, M12 - Hardened	Rondelle M12	Scheibe M12	Arandela	
41	6100661M1	1	Decal- Coolant Level	Decalcolmanie	Abziehbild	Placa	



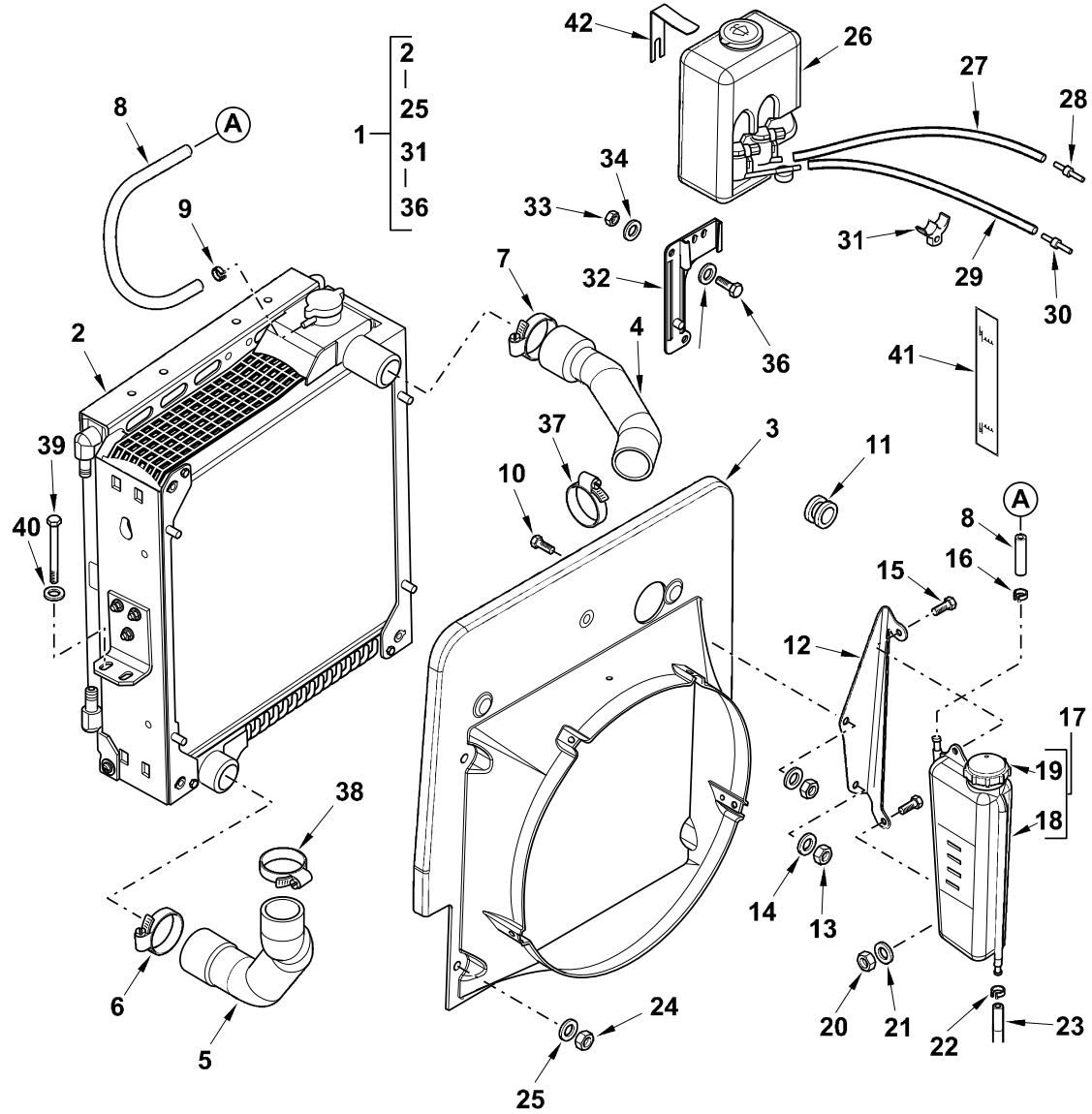
C-25012-02.1-A



Item	Part No.	Qty.	English	French	German	Spanish	Remarks
1	6108984M91	1	Radiator/Cooler Assy With Aircon	Radiateur	Kühler	Radiador, Conj.	25012c01.1 2
2	6108985M91	1	Radiator Assy	Radiateur Ass.	Motorkühler Kplt	Radiador	
3	#ELEMENT	1	Element	Element	Element	Element	Ref. 2
4	#COVER	1	Cover	Cover	Cover	Cover	Ref. 2
5	6190650M1	1	Filler Cap Radiator	Bouchon Rempliss.	Einfülldeckel	Tapón De Llenado	
6	#COVER	1	Cover	Cover	Cover	Cover	Ref. 2
7	6194151M91	1	Support LH	Ensemble De Support	Haltevorrichtung Kpl.	Apoyadero, Conj.	
8	6194152M91	1	Support RH	Ensemble De Support	Haltevorrichtung Kpl.	Apoyadero, Conj.	
9	6194153M1	2	Bracket	Patte Fixation	Halter	Pata De Fijación	
10	6190793M1	6	Washer	Rondelle	Scheibe	Arandela	
11	6190792M1	6	Safety Nut	Ecrou	Mutter	Tuerca De Retención	
12	6190790M1	4	Screw	Vis	Schraube	Tornillo	
13	6190791M1	4	Washer	Rondelle	Scheibe	Arandela	
14	6190790M1	4	Screw	Vis	Schraube	Tornillo	
15	6190791M1	4	Washer	Rondelle	Scheibe	Arandela	
16	6109684M91	1	Cooler Assy	Refrroidisseur	Kühler	Aceite Conjunto Enfr.	
17	#ELEMENT	1	Element	Element	Element	Element	Ref. 16
18	#ELEMENT	1	Element	Element	Element	Element	Ref. 16
19	6194155M1	1	Support	Support	Haltevorrichtung	Soporte	
20	6194154M1	1	Support	Support	Haltevorrichtung	Soporte	
21	6193305M91	1	Condenser Assy	Condenseur	Verdichter	Condensador, Conj.	
22	6193306M91	1	Condenser	Condenseur	Verdichter	Condensador	
23	6193307M91	1	Channel Condenser	Ensemble De Support	Haltevorrichtung Kpl.	Apoyadero, Conj.	
24	6193307M91	1	Channel Condenser	Ensemble De Support	Haltevorrichtung Kpl.	Apoyadero, Conj.	



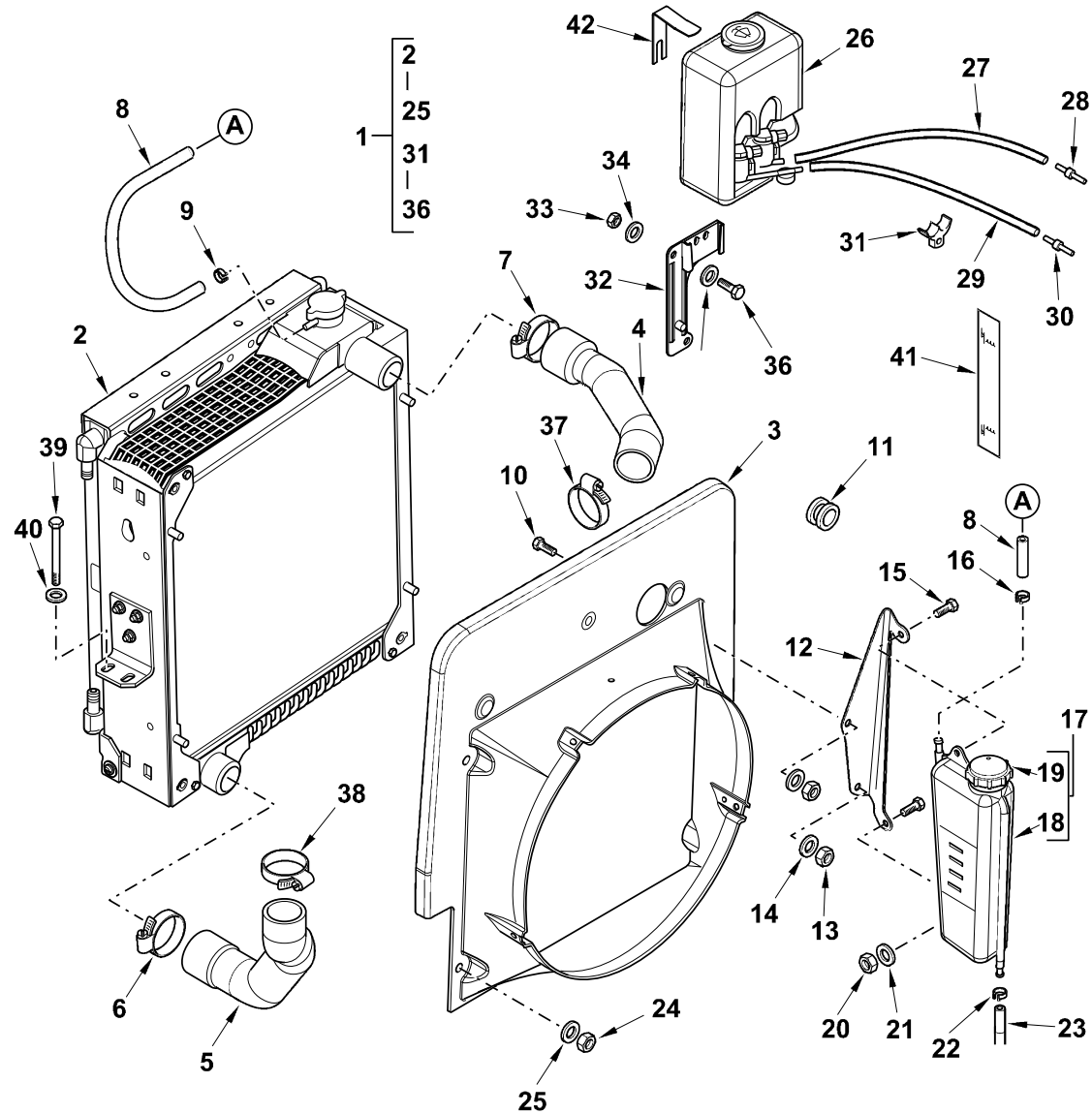
C-25014-01.1-B



Item	Part No.	Qty.	English	French	German	Spanish	Remarks
1	6112448M91	1	Cooling - Hla (Radiator Assembly)	Ensemble De Radiateur	Motorkühler Kpl.	Radiador, Conj.	
2	6109204M91	1	Radiator/Cooler Assy W/O Aircon	Ensemble De Radiateur	Motorkühler Kpl.	Radiador, Conj.	25014c02.1 1
3	6110011M1	1	Fan Cowl	Capot	Haube	Capotaje	
4	6110104M1	1	Hose - Radiator Top	Flexible	Schlauch	Tubo Flexible	
5	6109171M1	1	Hose - Radiator Bottom	Flexible	Schlauch	Tubo Flexible	
6	3517415M1	1	Clip Hose 60/80	Bride Pour Tutaux	Schlauchschelle	Collar	
7	3517415M1	1	Clip Hose 60/80	Bride Pour Tutaux	Schlauchschelle	Collar	
8	6109001M1	1	Hose - Expansion Bottle	Flexible	Schlauch	Tubo Flexible	
9	6100555M1	1	Clip Pipe	Collier Pour Tuyaux	Rohrschelle	Argolla De Cierre	
10	3009493X1	1	Bolt M10-30 Z5c	Boulon M10 X 30	Maschschraube M10	Perno	
11	3522133M2	1	Grommet 15.9-20.6	Passe-Fil	Tülle	Pasa Cable	
12	6108999M1	1	Bracket-Expansion Bottle	Patte Fixation	Halter	Pata De Fijación	
13	1441932X1	2	Nut M10 Z5 Lock	Ecrou Blocage - M10	Flashmutter - M10	Tuerca	
14	390734X1	2	Washer M10-21-2 Z	Rondelle - M10	Unterlegscheibe	Arandela	
15	339123X1	2	Bolt M8-20 Z5f	Boulon M8 X 20	Maschschraube M8	Perno	
16	6100555M1	1	Clip Pipe	Collier Pour Tuyaux	Rohrschelle	Argolla De Cierre	
17	6109901M91	1	Bottle - Expansion	Bouteille	Flasche	Vasija De Expansión	
18	#RESERVOIR	1	Reservoir	Reservoir	Reservoir	Reservoir	Ref. 17
19	#CAP	1	Cap	Chapeau	Kappe	Tapa	Ref. 17
20	1441461X1	2	Nut M8 Z5 Lock	Ecrou	Mutter	Tuerca	
21	390972X1	2	Washer M8-17-1 Zwl	Rondelle M8	Scheibe - M8	Arandela	
22	6100555M1	1	Clip Pipe	Collier Pour Tuyaux	Rohrschelle	Argolla De Cierre	
23	6109001M2	1	Hose - Expansion Bottle	Flexible	Schlauch	Tubo Flexible	
24	1441932X1	3	Nut M10 Z5 Lock	Ecrou Blocage - M10	Flashmutter - M10	Tuerca	
25	390734X1	3	Washer M10-21-2 Z	Rondelle - M10	Unterlegscheibe	Arandela	
26	6112450M91	1	Washer Bottle Assembly	Ensemble De Réservoir	Behälter Kpl.	Depósito, Conj.	
27	3516102M1	1	Tubing Water Bottle	Tube	Rohr	Tubo	
28	3516103M1	1	Connector Water Tubing	Connecteur	Steckverbindung	Conector	
29	3516102M1	1	Tubing Water Bottle	Tube	Rohr	Tubo	
30	3516103M1	1	Connector Water Tubing	Connecteur	Steckverbindung	Conector	



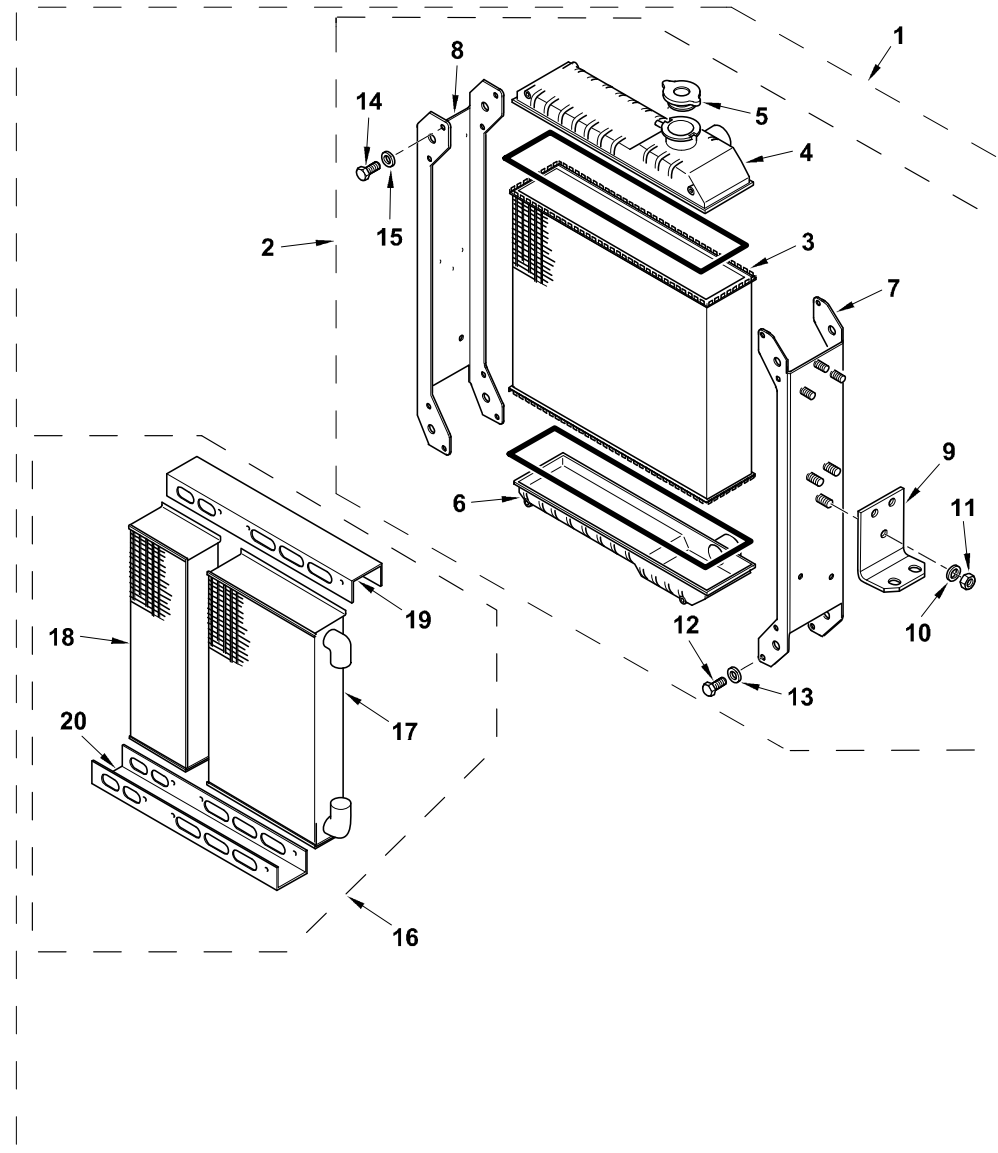
C-25014-01.1-B



Item	Part No.	Qty.	English	French	German	Spanish	Remarks
31	3520363M1	2	Clip Pipe	Clip	Klips	Clip	
32	6112240M2	1	Bracket - Washer Bottle	Support Fixation	Haltearm	Soporte De Fijación	
33	1441932X1	1	Nut M10 Z5 Lock	Ecrou Blocage - M10	Flashmutter - M10	Tuerca	
34	390734X1	1	Washer M10-21-2 Z	Rondelle - M10	Unterlegscheibe	Arandela	
35	390734X1	1	Washer M10-21-2 Z	Rondelle - M10	Unterlegscheibe	Arandela	
36	3009493X1	1	Bolt M10-30 Z5c	Boulon M10 X 30	Maschschraube M10	Perno	
37	3517415M1	1	Clip Hose 60/80	Bride Pour Tutaux	Schlauchschelle	Collar	
38	3517415M1	1	Clip Hose 60/80	Bride Pour Tutaux	Schlauchschelle	Collar	
39	339020X1	4	Hex. Bolt - M12 X 20, Coarse	Boulon - M12 X 20	Schraube - M12 X 20	Tornillo	
40	385363X1	4	Washer, M12 - Hardened	Rondelle M12	Scheibe M12	Arandela	
41	6100661M1	1	Decal- Coolant Level	Decalcolmanie	Abziehbild	Placa	
42	6112353M1	1	Retainer - Washer Bottle	Reteneur	Haltering	Fijación	



C-25014-02.1-A

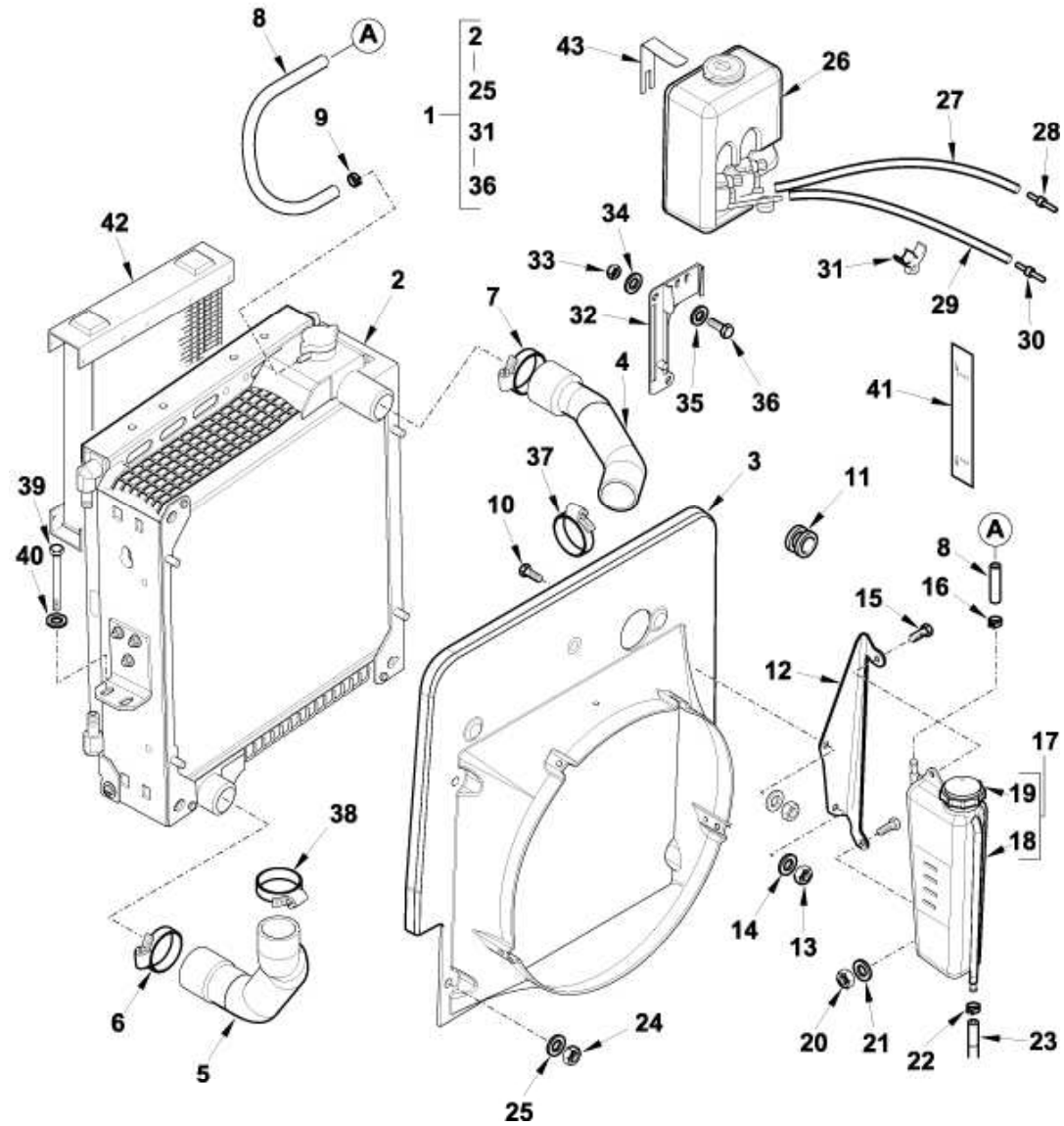




Item	Part No.	Qty.	English	French	German	Spanish	Remarks
1	6109204M91	1	Radiator/Cooler Assy W/O Aircon	Ensemble De Radiateur	Motorkühler Kpl.	Radiador, Conj.	25014c01.1 2
2	6108985M91	1	Radiator Assy	Radiateur Ass.	Motorkühler Kplt	Radiador	
3	#ELEMENT	1	Element	Element	Element	Element	Ref. 2
4	#COVER	1	Cover	Cover	Cover	Cover	Ref. 2
5	6190650M1	1	Filler Cap Radiator	Bouchon Rempliss.	Einfülldeckel	Tapón De Llenado	
6	#COVER	1	Cover	Cover	Cover	Cover	Ref. 2
7	6194151M91	1	Support LH	Ensemble De Support	Haltevorrichtung Kpl.	Apoyadero, Conj.	
8	6194152M91	1	Support RH	Ensemble De Support	Haltevorrichtung Kpl.	Apoyadero, Conj.	
9	6194153M1	2	Bracket	Patte Fixation	Halter	Pata De Fijación	
10	6190793M1	6	Washer	Rondelle	Scheibe	Arandela	
11	6190792M1	6	Safety Nut	Ecrou	Mutter	Tuerca De Retención	
12	6190790M1	4	Screw	Vis	Schraube	Tornillo	
13	6190791M1	4	Washer	Rondelle	Scheibe	Arandela	
14	6190790M1	4	Screw	Vis	Schraube	Tornillo	
15	6190791M1	4	Washer	Rondelle	Scheibe	Arandela	
16	6109684M91	1	Cooler Assy	Refrroidisseur	Kühler	Aceite Conjunto Enfr.	
17	#ELEMENT	1	Element	Element	Element	Element	Ref. 16
18	#ELEMENT	1	Element	Element	Element	Element	Ref. 16
19	6194155M1	1	Support	Support	Haltevorrichtung	Soporte	
20	6194154M1	1	Support	Support	Haltevorrichtung	Soporte	



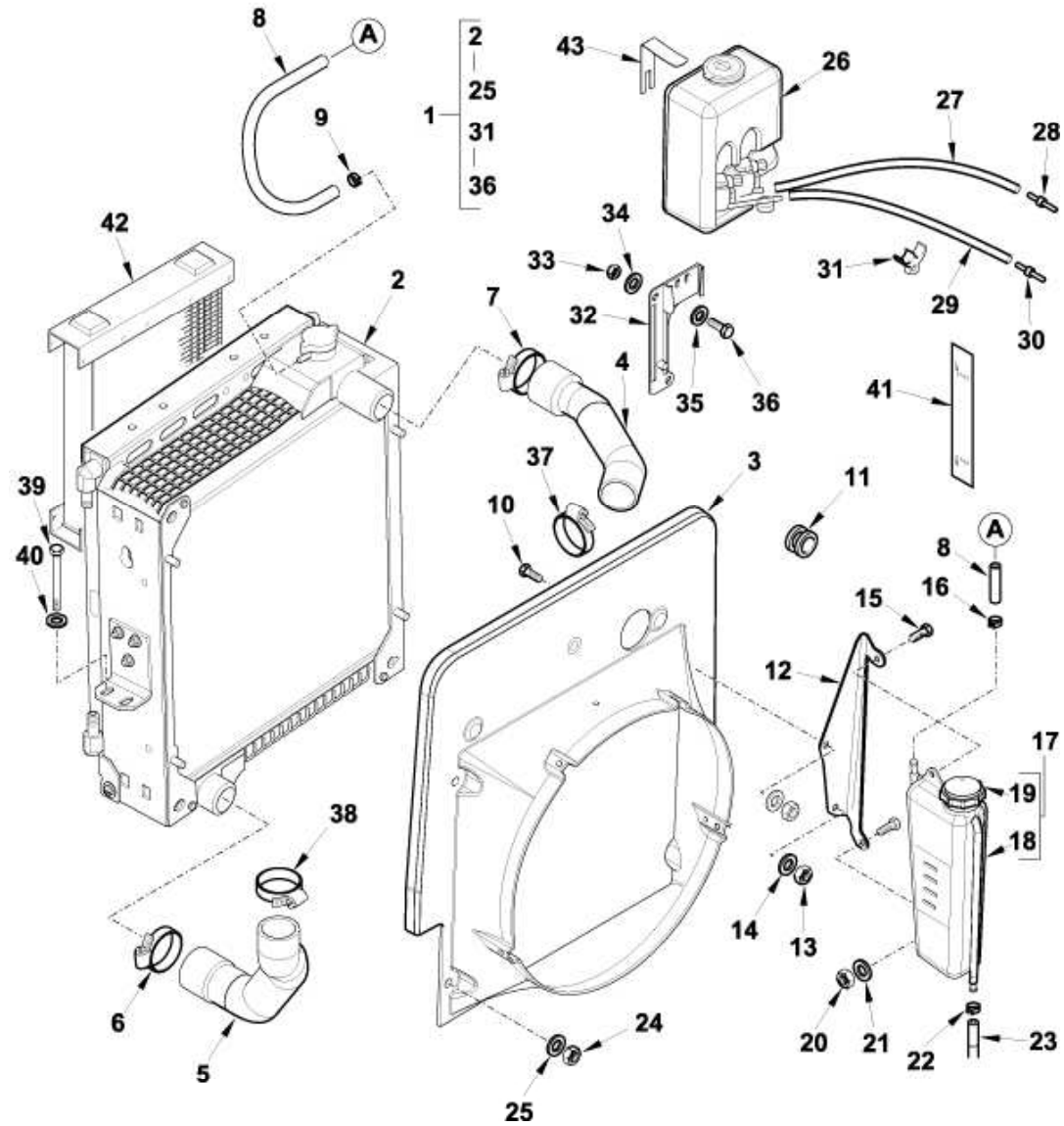
C-25015-01.1-B



Item	Part No.	Qty.	English	French	German	Spanish	Remarks
1	6112448M91	1	Cooling - Hla (Radiator Assembly)	Ensemble De Radiateur	Motorkühler Kpl.	Radiador, Conj.	
2	6109204M91	1	Radiator/Cooler Assy W/O Aircon	Ensemble De Radiateur	Motorkühler Kpl.	Radiador, Conj.	25015c02.1 1
3	6110011M1	1	Fan Cowl	Capot	Haube	Capotaje	
4	6110104M1	1	Hose - Radiator Top	Flexible	Schlauch	Tubo Flexible	
5	6109171M1	1	Hose - Radiator Bottom	Flexible	Schlauch	Tubo Flexible	
6	3517415M1	1	Clip Hose 60/80	Bride Pour Tutaux	Schlauchschelle	Collar	
7	3517415M1	1	Clip Hose 60/80	Bride Pour Tutaux	Schlauchschelle	Collar	
8	6109001M1	1	Hose - Expansion Bottle	Flexible	Schlauch	Tubo Flexible	
9	6100555M1	1	Clip Pipe	Collier Pour Tuyaux	Rohrschelle	Argolla De Cierre	
10	3009493X1	1	Bolt M10-30 Z5c	Boulon M10 X 30	Maschschraube M10	Perno	
11	3522133M2	1	Grommet 15.9-20.6	Passe-Fil	Tülle	Pasa Cable	
12	6108999M2	1	Bracket Expansion Bottle	Bracket Expansion Bottle	Bracket Expansion Bottle	Bracket Expansion Bottle	
13	1441932X1	2	Nut M10 Z5 Lock	Ecrou Blocage - M10	Flashmutter - M10	Tuerca	
14	390734X1	2	Washer M10-21-2 Z	Rondelle - M10	Unterlegscheibe	Arandela	
15	339123X1	2	Bolt M8-20 Z5f	Boulon M8 X 20	Maschschraube M8	Perno	
16	6100555M1	1	Clip Pipe	Collier Pour Tuyaux	Rohrschelle	Argolla De Cierre	
17	6109901M91	1	Bottle - Expansion	Bouteille	Flasche	Vasija De Expansión	
18	#RESERVOIR	1	Reservoir	Reservoir	Reservoir	Reservoir	Ref. 17
19	#CAP	1	Cap	Chapeau	Kappe	Tapa	Ref. 17
20	1441461X1	2	Nut M8 Z5 Lock	Ecrou	Mutter	Tuerca	
21	390972X1	2	Washer M8-17-1 Zwl	Rondelle M8	Scheibe - M8	Arandela	
22	6100555M1	1	Clip Pipe	Collier Pour Tuyaux	Rohrschelle	Argolla De Cierre	
23	6109001M2	1	Hose - Expansion Bottle	Flexible	Schlauch	Tubo Flexible	
24	1441932X1	3	Nut M10 Z5 Lock	Ecrou Blocage - M10	Flashmutter - M10	Tuerca	
25	390734X1	3	Washer M10-21-2 Z	Rondelle - M10	Unterlegscheibe	Arandela	
26	6112450M91	1	Washer Bottle Assembly	Ensemble De Réservoir	Behälter Kpl.	Depósito, Conj.	
27	3516102M1	1	Tubing Water Bottle	Tube	Rohr	Tubo	
28	3516103M1	1	Connector Water Tubing	Connecteur	Steckverbindung	Conector	
29	3516102M1	1	Tubing Water Bottle	Tube	Rohr	Tubo	
30	3516103M1	1	Connector Water Tubing	Connecteur	Steckverbindung	Conector	



C-25015-01.1-B



Item	Part No.	Qty.	English	French	German	Spanish	Remarks
31	3520363M1	2	Clip Pipe	Clip	Klips	Clip	
32	6110310M91	1	Bracket - Washer Bottle W/Assy	Patte Fixation	Halter	Soporte De Fijación	
33	1441932X1	1	Nut M10 Z5 Lock	Ecrou Blocage - M10	Flashmutter - M10	Tuerca	
34	390734X1	1	Washer M10-21-2 Z	Rondelle - M10	Unterlegscheibe	Arandela	
35	390734X1	1	Washer M10-21-2 Z	Rondelle - M10	Unterlegscheibe	Arandela	
36	3009493X1	1	Bolt M10-30 Z5c	Boulon M10 X 30	Maschschraube M10	Perno	
37	3517415M1	1	Clip Hose 60/80	Bride Pour Tutaux	Schlauchschelle	Collar	
38	3517415M1	1	Clip Hose 60/80	Bride Pour Tutaux	Schlauchschelle	Collar	
39	339020X1	4	Hex. Bolt - M12 X 20, Coarse	Boulon - M12 X 20	Schraube - M12 X 20	Tornillo	
40	385363X1	4	Washer, M12 - Hardened	Rondelle M12	Scheibe M12	Arandela	
41	6100661M1	1	Decal- Coolant Level	Decalcolmanie	Abziehbild	Placa	
42	6112449M91	1	Condenser	Condenseur	Verdichter	Condensador	25015c02.1 21
43	6112353M1	1	Retainer - Washer Bottle	Reteneur	Haltering	Fijación	

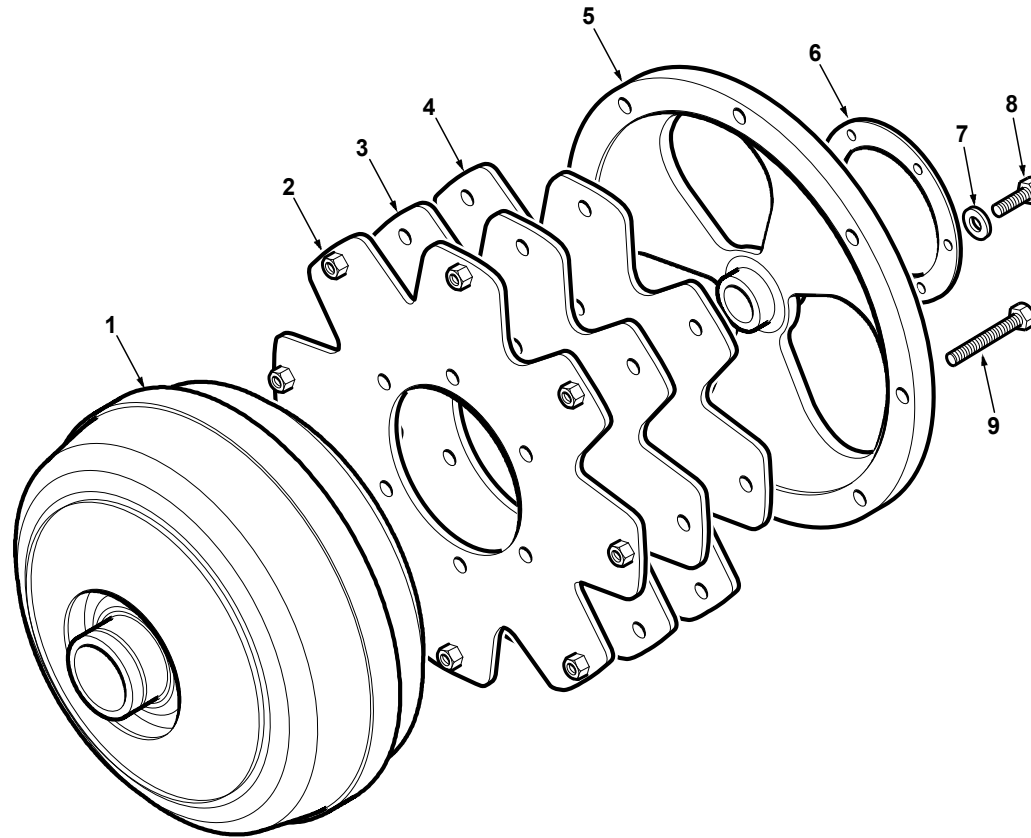




Item	Part No.	Qty.	English	French	German	Spanish	Remarks
1	6109204M91	1	Radiator/Cooler Assy W/O Aircon	Ensemble De Radiateur	Motorkühler Kpl.	Radiador, Conj.	25015c01.1 2
2	6108985M91	1	Radiator Assy	Radiateur Ass.	Motorkühler Kplt	Radiador	
3	#ELEMENT	1	Element	Element	Element	Element	Ref. 2
4	#COVER	1	Cover	Cover	Cover	Cover	Ref. 2
5	6190650M1	1	Filler Cap Radiator	Bouchon Rempliss.	Einfülldeckel	Tapón De Llenado	
6	#COVER	1	Cover	Cover	Cover	Cover	Ref. 2
7	6194151M91	1	Support LH	Ensemble De Support	Haltevorrichtung Kpl.	Apoyadero, Conj.	
8	6194152M91	1	Support RH	Ensemble De Support	Haltevorrichtung Kpl.	Apoyadero, Conj.	
9	6194153M1	2	Bracket	Patte Fixation	Halter	Pata De Fijación	
10	6190793M1	6	Washer	Rondelle	Scheibe	Arandela	
11	6190792M1	6	Safety Nut	Ecrou	Mutter	Tuerca De Retención	
12	6190790M1	4	Screw	Vis	Schraube	Tornillo	
13	6190791M1	4	Washer	Rondelle	Scheibe	Arandela	
14	6190790M1	4	Screw	Vis	Schraube	Tornillo	
15	6190791M1	4	Washer	Rondelle	Scheibe	Arandela	
16	6109684M91	1	Cooler Assy	Refrroidisseur	Kühler	Aceite Conjunto Enfr.	
17	#ELEMENT	1	Element	Element	Element	Element	Ref. 16
18	#ELEMENT	1	Element	Element	Element	Element	Ref. 16
19	6194155M1	1	Support	Support	Haltevorrichtung	Soporte	
20	6194154M1	1	Support	Support	Haltevorrichtung	Soporte	
21	6112449M91	1	Condenser	Condenseur	Verdichter	Condensador	25015c01.1 42
22	#ELEMENT	1	Element	Element	Element	Element	Ref. 21
23	#SUPPORT	1	Support	Support	Support	Support	Ref. 21
24	#SUPPORT	1	Support	Support	Support	Support	Ref. 21



C-27002-01.1-A





Item	Part No.	Qty.	English	French	German	Spanish	Remarks
1	6109200M91	1	Torque Converter Powershift	Convertisseur Couple	Drehmomentwandler	Convertidor De Par	
2	6109130M91	1	Drive Plate Assy	Ensemble De Plaque	Platte Kpl.	Placa, Conj.	
3	6109128M1	1	Drive Plate	Disque D'Entraînement	Mitnehmerscheibe	Disco Accionamiento	
4	6109128M1	1	Drive Plate	Disque D'Entraînement	Mitnehmerscheibe	Disco Accionamiento	
5	6109201M1	1	Plate-Cast Adaptor	Adaptateur	Adapter	Adaptador	
6	6106263M1	1	Plate Ring-Torque Converter	Plaque En Anneau	Scheibe	Placa De Anillo	
7	385361X1	6	Washer M8 Hardened	Rondelle M8	Scheibe M8	Arandela	
8	339124X1	6	Bolt M8-16 Z5f	Goupille	Maschschrb Metr - M8	Tornillo	
9	6110536M1	8	Bolt - Hex HD With Dog End M10 X 1.25	Boulon	Maschschraube	Perno	





Item	Part No.	Qty.	English	French	German	Spanish	Remarks
1	6109045M92	1	Bracket-Rh Transm Mount-P/Shft	Ensemble De Support	Haltevorrichtung Kpl.	Apoyadero, Conj.	
2	6007822M1	1	Bolt- M16 X 120lg-10.9	Boulon M16 X 120	Schraube M16 X 120	Perno	
3	6106849M1	1	Washer, Special Rebound - Trmn. Mtg.	Rondelle Spéciale	Spezialscheibe	Arandela	
4	6106848M91	1	Mounting Assy. - Transmission	Support De Fixation	Befestigung	Soporte De Fijación	
5	#MOUNT	1	Mount	Mount	Mount	Mount	Ref. 4
6	#MOUNT	1	Mount	Mount	Mount	Mount	Ref. 4
7	6106849M1	1	Washer, Special Rebound - Trmn. Mtg.	Rondelle Spéciale	Spezialscheibe	Arandela	
8	6106849M1	1	Washer, Special Rebound - Trmn. Mtg.	Rondelle Spéciale	Spezialscheibe	Arandela	
9	3516756M1	1	Nut, Hex. - M16, Special, 10.9	Ecrou Métrique	Mutter Metrisch	Tuerca	
10	391934X1	4	Screw M12-35 Z8 10.9	Goupille	Bolzen	Tornillo	
11	3516702M1	4	Washer H Special	Rondelle	Scheibe	Arandela	
12	6109044M92	1	Bracket-Lh Transm Mount-P/Shft	Ensemble De Support	Haltevorrichtung Kpl.	Apoyadero, Conj.	
13	6007822M1	1	Bolt- M16 X 120lg-10.9	Boulon M16 X 120	Schraube M16 X 120	Perno	
14	6106849M1	1	Washer, Special Rebound - Trmn. Mtg.	Rondelle Spéciale	Spezialscheibe	Arandela	
15	6106848M91	1	Mounting Assy. - Transmission	Support De Fixation	Befestigung	Soporte De Fijación	
16	#MOUNT	1	Mount	Mount	Mount	Mount	Ref. 15
17	#MOUNT	1	Mount	Mount	Mount	Mount	Ref. 15
18	6106849M1	1	Washer, Special Rebound - Trmn. Mtg.	Rondelle Spéciale	Spezialscheibe	Arandela	
19	6106849M1	1	Washer, Special Rebound - Trmn. Mtg.	Rondelle Spéciale	Spezialscheibe	Arandela	
20	3516756M1	1	Nut, Hex. - M16, Special, 10.9	Ecrou Métrique	Mutter Metrisch	Tuerca	
21	391934X1	4	Screw M12-35 Z8 10.9	Goupille	Bolzen	Tornillo	
22	3516702M1	4	Washer H Special	Rondelle	Scheibe	Arandela	
23	6109883M1	1	Bracket-Harness Transm	Patte Fixation	Halter	Pata De Fijación	
24	385362X1	1	Washer, Hardened - M10	Rondelle - M10	Unterlegscheibe M10	Arandela	
25	392892X1	1	Screw-M10 X 35 10.9	Goupille	Bolzen	Perno	
26	6109883M1	1	Bracket-Harness Transm	Patte Fixation	Halter	Pata De Fijación	
27	385362X1	1	Washer, Hardened - M10	Rondelle - M10	Unterlegscheibe M10	Arandela	
28	392892X1	1	Screw-M10 X 35 10.9	Goupille	Bolzen	Perno	
29	392892X1	10	Screw-M10 X 35 10.9	Goupille	Bolzen	Perno	
30	6111781M91	1	Engine Mount - W/A	Support De Fixation	Befestigung	Soporte De Fijación	

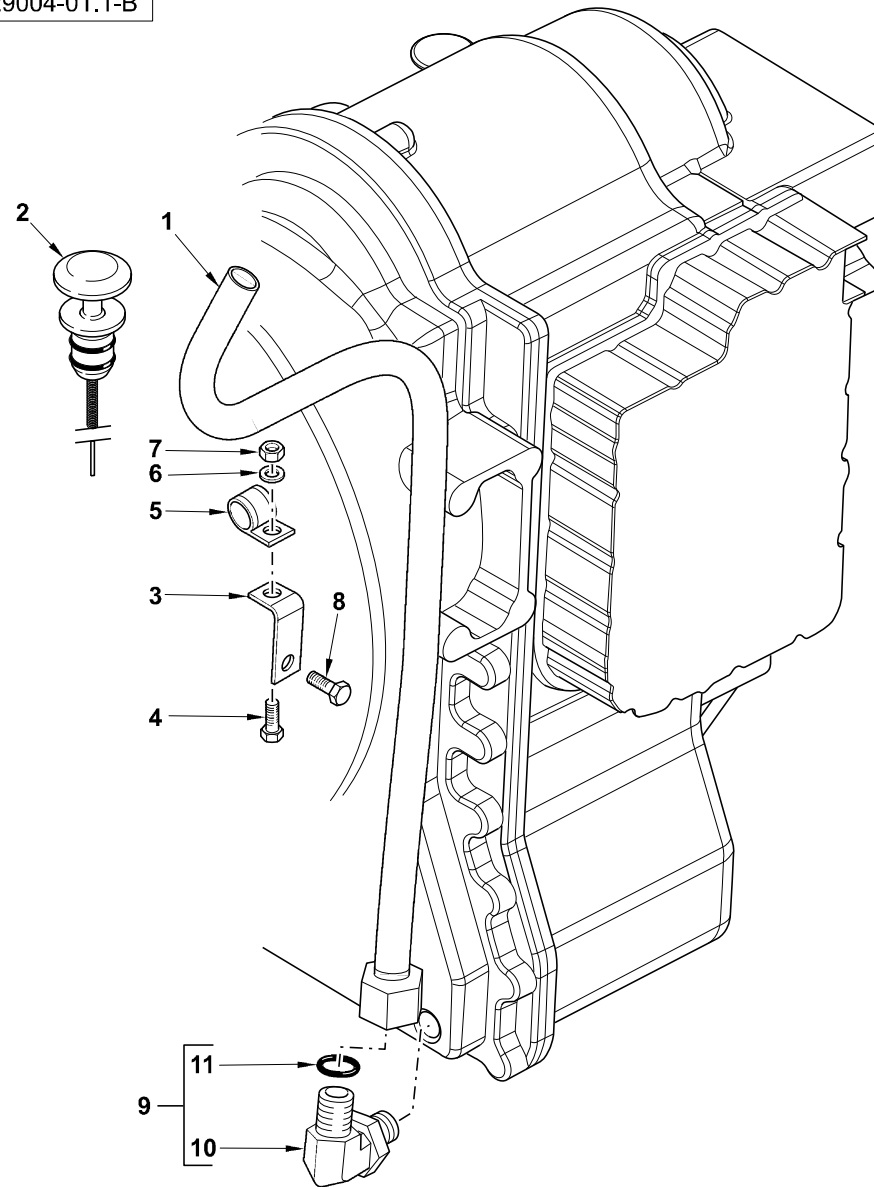




Item	Part No.	Qty.	English	French	German	Spanish	Remarks
31	1440329X1	1	Nut, Hex. - Nyloc, M10	Ecrou Blocage	Flachmutter M10	Tuerca De Retención	
32	3521357M1	1	Mount Engine	Support De Moteur	Motorlager	Bloque Aislante	
33	1440329X1	1	Nut, Hex. - Nyloc, M10	Ecrou Blocage	Flachmutter M10	Tuerca De Retención	
34	6111781M91	1	Engine Mount - W/A	Support De Fixation	Befestigung	Soporte De Fijación	
35	1440329X1	1	Nut, Hex. - Nyloc, M10	Ecrou Blocage	Flachmutter M10	Tuerca De Retención	
36	3521357M1	1	Mount Engine	Support De Moteur	Motorlager	Bloque Aislante	
37	1440329X1	1	Nut, Hex. - Nyloc, M10	Ecrou Blocage	Flachmutter M10	Tuerca De Retención	



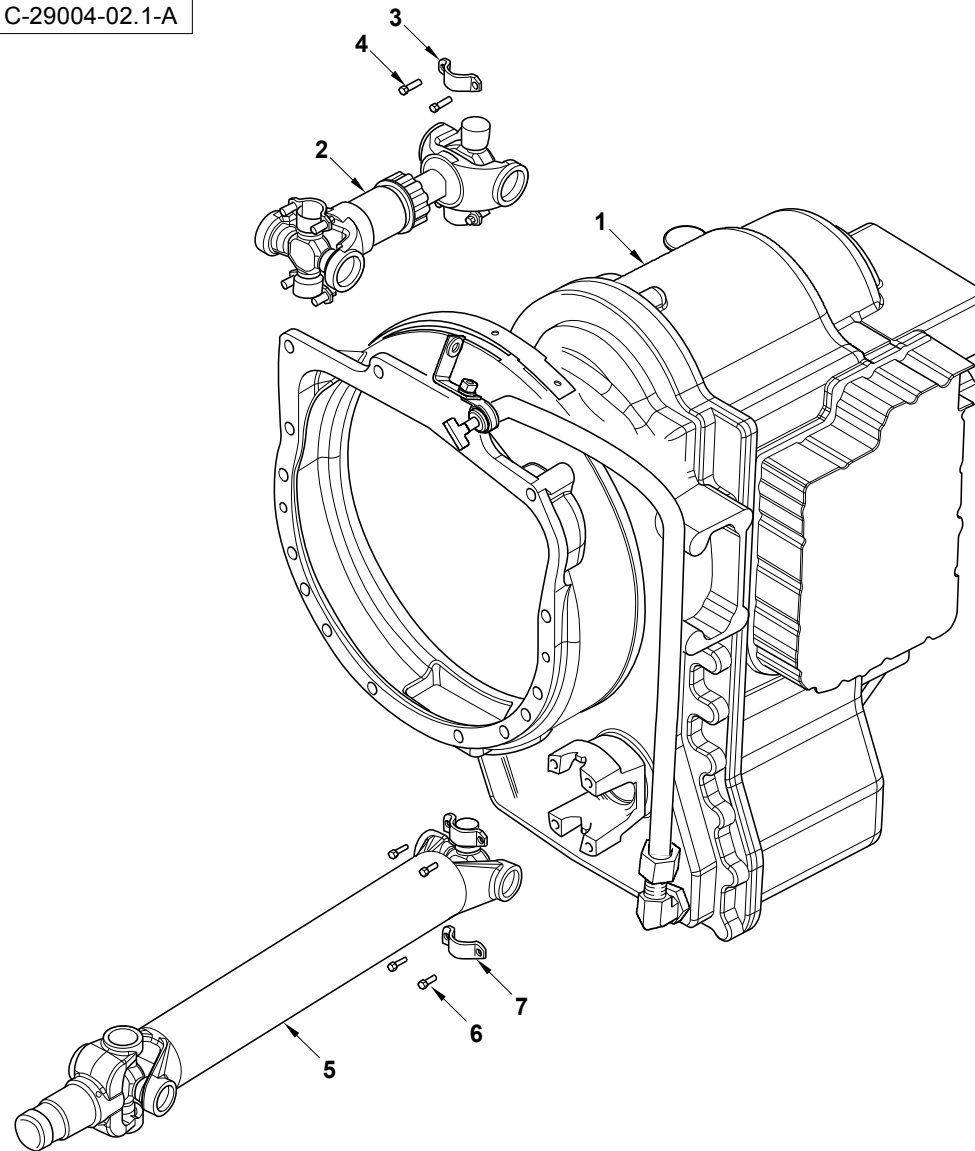
C-29004-01.1-B



Item	Part No.	Qty.	English	French	German	Spanish	Remarks
1	6109106M93	1	Tube Assembly - Filler Trans P/S	Ensemble Tube	Rohr Kpl	Conjunto De Tubería	
2	6110839M91	1	Dipstick Dana Spicer	Jauge	Messstab	Calibre De Aceite	
3	6110288M1	1	Angle	Cornière	Winkel	Esquilla	
4	339761X1	1	Bolt M8-25 Z5f	Goupille	Bolzen M8 X 25	Tornillo	
5	3516392M1	1	Clip P Size 8	Clip	Schelle	Clip	
6	385361X1	1	Washer M8 Hardened	Rondelle M8	Scheibe M8	Arandela	
7	394367X1	1	Nut, Hex. - Nyloc, M8	Ecrou Blocage M8	Flachmutter - M8	Tuerca De Retención	
8	339020X1	1	Hex. Bolt - M12 X 20, Coarse	Boulon - M12 X 20	Schraube - M12 X 20	Tornillo	
9	358766X91	1	Elbow 90deg	Coude	Kniestück, 90	Codo, 90°	
10	#ELBOW	1	Elbow	Elbow	Elbow	Elbow	
11	835026M1	1	O-Ring	Joint Torique	O-Ring	Junta De Tipo O	



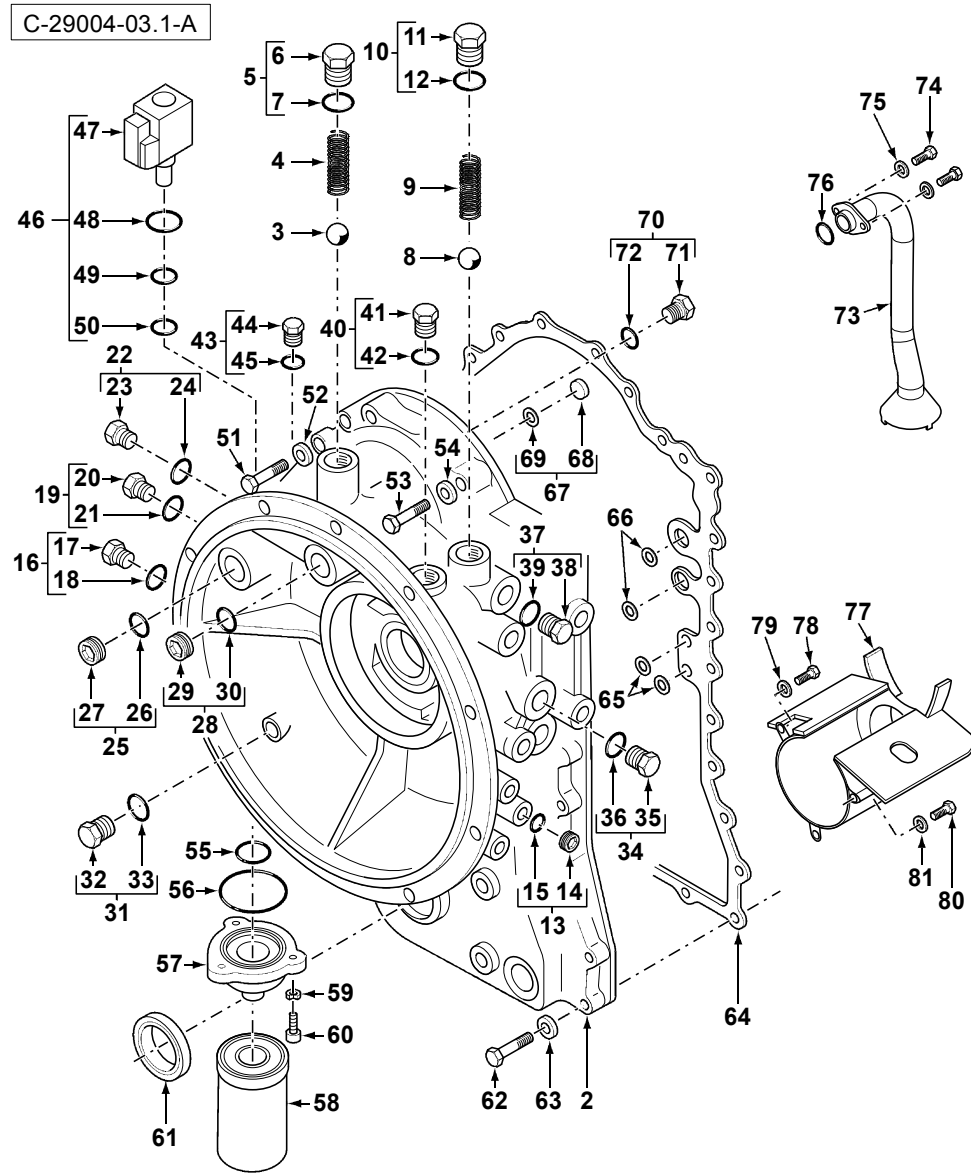
C-29004-02.1-A





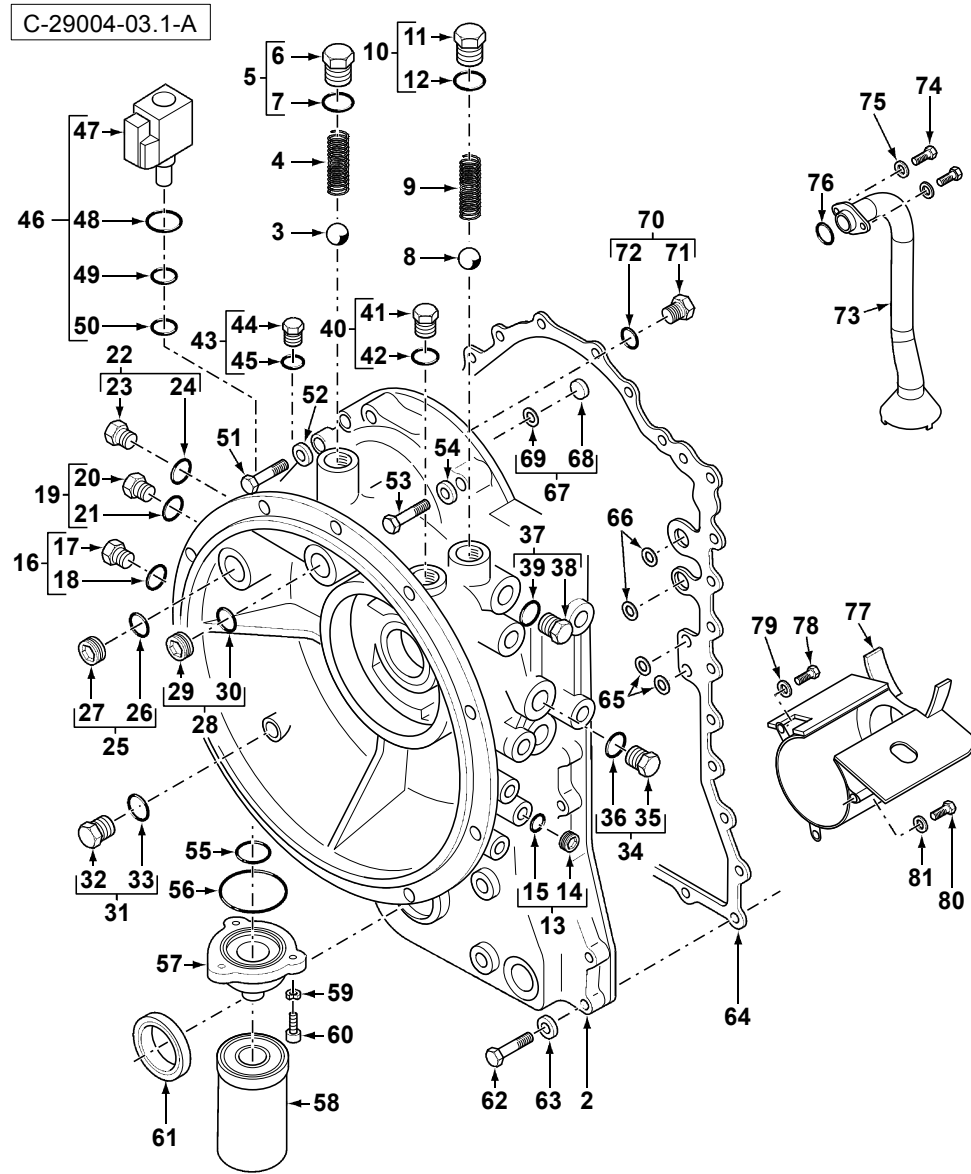
Item	Part No.	Qty.	English	French	German	Spanish	Remarks
1	6111916M92	1	Transmission Assembly 4ws P/Shift	Transmission Assembly 4ws P/Shift	Transmission Assembly 4ws P/Shift	Transmission Assembly 4ws P/Shift	
2	6114048M91	1	Propshaft - Rear	Arbre De Cde	Antriebswelle	Eje De Mando	
3	6114052M1	4	Bearing Strap 1410	Patte - Coussinet	Lasche - Lager	Faja - Cojinete	
4	6114053M1	8	Bolt 5/16"	Boulon 5/16"	Maschschraube 5/16"	Perno 5/16"	
5	6114049M91	1	Propshaft - Front	Arbre De Cde	Antriebswelle	Eje De Mando	
6	6114053M1	4	Bolt 5/16"	Boulon 5/16"	Maschschraube 5/16"	Perno 5/16"	
7	6114052M1	2	Bearing Strap 1410	Patte - Coussinet	Lasche - Lager	Faja - Cojinete	



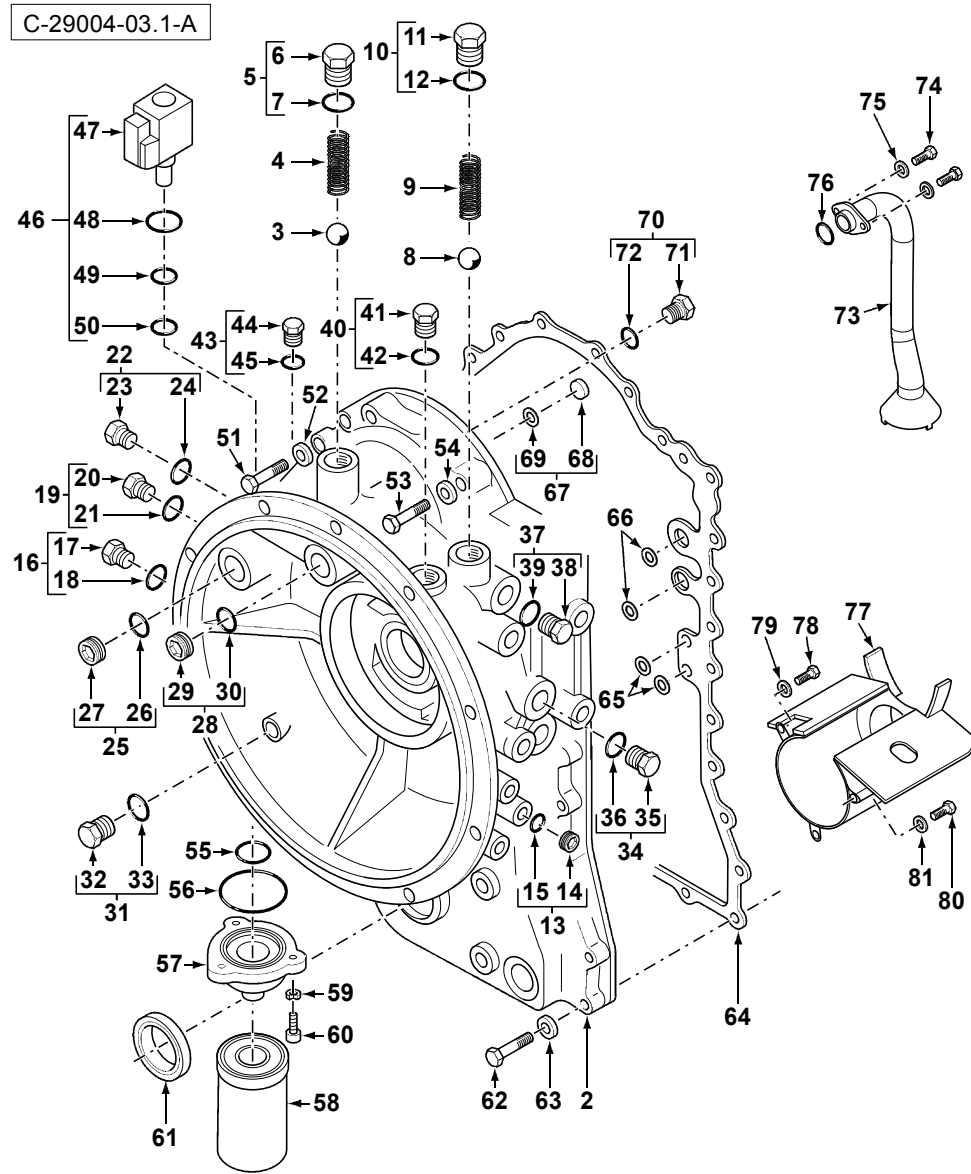


Item	Part No.	Qty.	English	French	German	Spanish	Remarks
1	6111916M92	1	Transmission Assembly 4ws P/Shift	Transmission Assembly 4ws P/Shift	Transmission Assembly 4ws P/Shift	Transmission Assembly 4ws P/Shift	
2	6194086M91	1	Housing Assy	Carter Ass.	Gehäuse Kplt	Cárter, Conj.	
3	6193455M1	1	Ball	Bille	Kugel	Bola	
4	6193456M1	1	Spring	Siège De Ressort	Federsitz	Muelle	
5	6193457M91	1	Plug	Bouchon	Stopfen	Tapón	
6	#PLUG	1	Plug	Plug	Plug	Plug	Ref.5
7	6193587M1	1	O-Ring	Joint Torique	O-Ring	Junta De Tipo O	
8	6193458M1	1	Ball	Bille	Kugel	Bola	
9	6193459M1	1	Spring	Siège De Ressort	Federsitz	Muelle	
10	6193460M91	1	Plug	Bouchon	Stopfen	Tapón	
11	#PLUG	1	Plug	Plug	Plug	Plug	Ref.10
12	6193588M1	1	Plug	Bouchon	Stopfen	Junta De Tipo O	
13	6193461M91	1	Plug	Bouchon	Stopfen	Tapón	
14	#PLUG	1	Plug	Plug	Plug	Plug	Ref.13
15	6193589M1	1	O-Ring	Joint Torique	O-Ring	Junta De Tipo O	
16	6193461M91	1	Plug	Bouchon	Stopfen	Tapón	
17	#PLUG	1	Plug	Plug	Plug	Plug	Ref.16
18	6193589M1	1	O-Ring	Joint Torique	O-Ring	Junta De Tipo O	
19	6193462M91	1	Plug	Bouchon	Stopfen	Tapón	
20	#PLUG	1	Plug	Plug	Plug	Plug	Ref.19
21	6193590M1	1	O-Ring	Joint Torique	O-Ring	Junta De Tipo O	
22	6193462M91	1	Plug	Bouchon	Stopfen	Tapón	
23	#PLUG	1	Plug	Plug	Plug	Plug	Ref.22
24	6193590M1	1	O-Ring	Joint Torique	O-Ring	Junta De Tipo O	
25	6193462M91	1	Plug	Bouchon	Stopfen	Tapón	
26	#PLUG	1	Plug	Plug	Plug	Plug	Ref.25
27	6193590M1	1	O-Ring	Joint Torique	O-Ring	Junta De Tipo O	
28	6193462M91	1	Plug	Bouchon	Stopfen	Tapón	
29	#PLUG	1	Plug	Plug	Plug	Plug	Ref.28
30	6193590M1	1	O-Ring	Joint Torique	O-Ring	Junta De Tipo O	





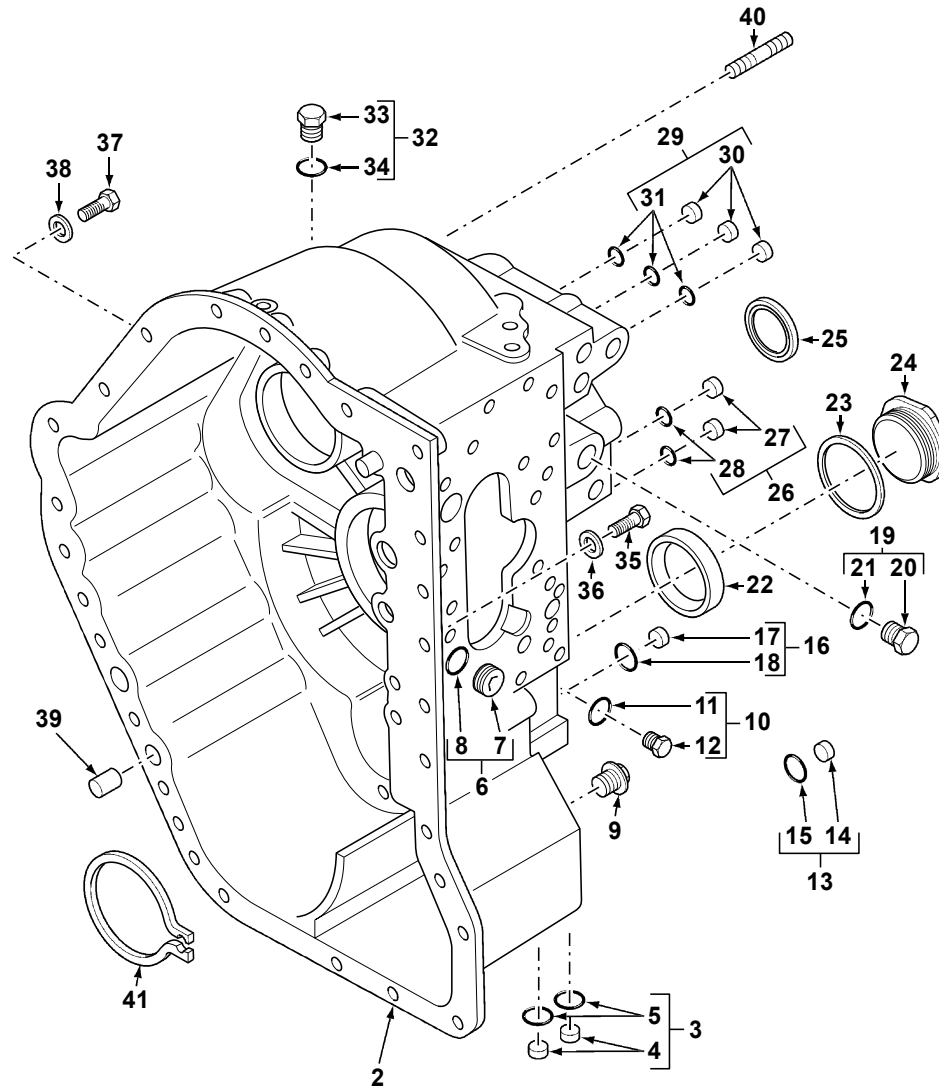
Item	Part No.	Qty.	English	French	German	Spanish	Remarks
31	6193462M91	1	Plug	Bouchon	Stopfen	Tapón	
32	#PLUG	1	Plug	Plug	Plug	Plug	Ref.31
33	6193590M1	1	O-Ring	Joint Torique	O-Ring	Junta De Tipo O	
34	6193462M91	1	Plug	Bouchon	Stopfen	Tapón	
35	#PLUG	1	Plug	Plug	Plug	Plug	Ref.34
36	6193590M1	1	O-Ring	Joint Torique	O-Ring	Junta De Tipo O	
37	6193462M91	1	Plug	Bouchon	Stopfen	Tapón	
38	#PLUG	1	Plug	Plug	Plug	Plug	Ref.37
39	6193590M1	1	O-Ring	Joint Torique	O-Ring	Junta De Tipo O	
40	6193462M91	1	Plug	Bouchon	Stopfen	Tapón	
41	#PLUG	1	Plug	Plug	Plug	Plug	Ref.40
42	6193590M1	1	O-Ring	Joint Torique	O-Ring	Junta De Tipo O	
43	6193461M91	1	Plug	Bouchon	Stopfen	Tapón	
44	#PLUG	1	Plug	Plug	Plug	Plug	Ref.43
45	6193589M1	1	O-Ring	Joint Torique	O-Ring	Junta De Tipo O	
46	6193481M91	1	Valve, Solenoid - 4w/Drive, Powershift	Ensemble De Solénoïde	Magnetspule Kpl.	Solenoid, Conj.	
47	#SOLENOID ASSY	1	Solenoid Assy	Solenoid Assy	Solenoid Assy	Solenoid Assy	Ref.46
48	6193591M1	1	O-Ring	Joint Torique	O-Ring	Junta De Tipo O	
49	6193592M1	1	O-Ring	Joint Torique	O-Ring	Junta De Tipo O	
50	6193593M1	1	O-Ring	Joint Torique	O-Ring	Junta De Tipo O	
51	6193487M1	1	Bolt	Goupille	Bolzen	Perno	
52	6193466M1	2	Washer	Rondelle	Scheibe	Arandela De Freno	
53	6194044M1	4	Screw	Vis	Schraube	Perno	
54	6193466M1	4	Washer	Rondelle	Scheibe	Arandela De Freno	
55	6193463M1	1	O-Ring	Joint Torique	O-Ring	Junta De Tipo O	
56	6193464M1	1	O-Ring	Joint Torique	O-Ring	Junta De Tipo O	
57	6193465M1	1	Adaptor	Adaptateur	Reduziernippel	Adaptador	
58	6194045M91	1	Element - Filter (Powershift Transmission)	Élément Filtrant	Filter Kpl.	Elemento Filtrante	
59	6193466M1	3	Washer	Rondelle	Scheibe	Arandela De Freno	
60	6193467M1	3	Bolt	Goupille	Bolzen	Perno	



Item	Part No.	Qty.	English	French	German	Spanish	Remarks
61	6193479M1	1	Seal 85mm O/D X 70mm I/D X 8mm Thick	Joint D´Arbre	Wellendichtring	Junta	
62	6194042M1	14	Screw	Vis	Schraube	Perno	
63	6193466M1	14	Washer	Rondelle	Scheibe	Arandela De Freno	
64	6194041M1	1	Gasket	Joint	Flachdichtung	Empaquetadura	
65	6193477M1	2	O-Ring	Joint Torique	O-Ring	Junta De Tipo O	
66	6193476M1	2	O-Ring	Joint Torique	O-Ring	Junta De Tipo O	
67	6193462M91	1	Plug	Bouchon	Stopfen	Tapón	
68	#PLUG	1	Plug	Plug	Plug	Plug	Ref.67
69	6193590M1	1	O-Ring	Joint Torique	O-Ring	Junta De Tipo O	
70	6193482M91	1	Plug	Bouchon	Stopfen	Tapón	
71	#PLUG	1	Plug	Plug	Plug	Plug	Ref.70
72	6193594M1	1	O-Ring	Joint Torique	O-Ring	Junta De Tipo O	
73	6194040M91	1	Tube Assy	Tuyauterie	Rohrleitung Kplt	Conjunto De Tubería	
74	6193470M1	2	Bolt	Goupille	Bolzen	Perno	
75	6193466M1	2	Washer	Rondelle	Scheibe	Arandela De Freno	
76	6193473M1	1	O-Ring	Joint Torique	O-Ring	Junta De Tipo O	
77	6194039M91	1	Oil - Baffle	Chicane	Ablenkplatte	Deflector	
78	6193470M1	1	Bolt	Goupille	Bolzen	Perno	
79	6193466M1	1	Washer	Rondelle	Scheibe	Arandela De Freno	
80	6193470M1	2	Bolt	Goupille	Bolzen	Perno	
81	6193466M1	2	Washer	Rondelle	Scheibe	Arandela De Freno	



C-29004-04.1-A

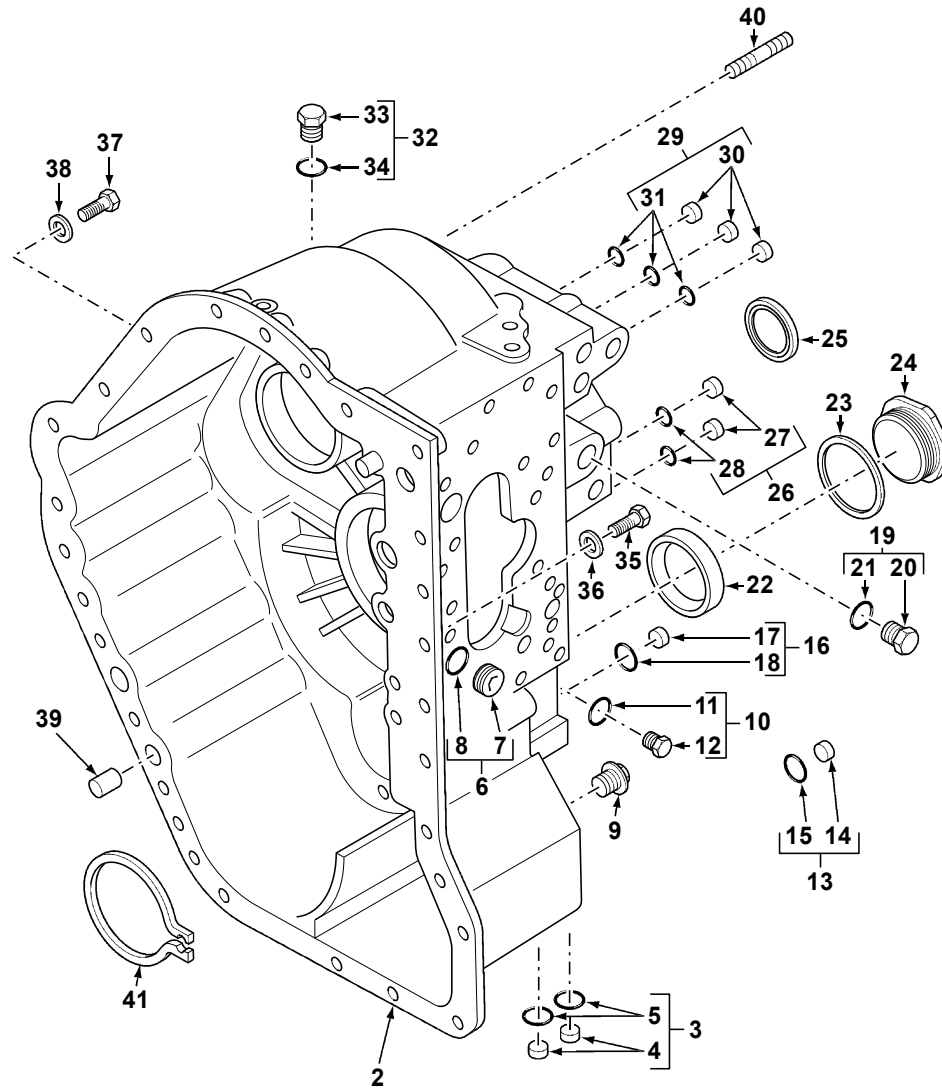




Item	Part No.	Qty.	English	French	German	Spanish	Remarks
1	6111916M92	1	Transmission Assembly 4ws P/Shift	Transmission Assembly 4ws P/Shift	Transmission Assembly 4ws P/Shift	Transmission Assembly 4ws P/Shift	
2	6194046M91	1	Housing Assy	Carter Ass.	Gehäuse Kplt	Cárter, Conj.	
3	6193461M91	2	Plug	Bouchon	Stopfen	Tapón	
4	#PLUG	1	Plug	Plug	Plug	Plug	Ref. 3
5	6193589M1	1	O-Ring	Joint Torique	O-Ring	Junta De Tipo O	
6	6193461M91	1	Plug	Bouchon	Stopfen	Tapón	
7	#PLUG	1	Plug	Plug	Plug	Plug	Ref. 6
8	6193589M1	1	O-Ring	Joint Torique	O-Ring	Junta De Tipo O	
9	6193485M91	1	Plug	Bouchon	Stopfen	Tapón	
10	6193461M91	1	Plug	Bouchon	Stopfen	Tapón	
11	#PLUG	1	Plug	Plug	Plug	Plug	Ref. 10
12	6193589M1	1	O-Ring	Joint Torique	O-Ring	Junta De Tipo O	
13	6193461M91	1	Plug	Bouchon	Stopfen	Tapón	
14	#PLUG	1	Plug	Plug	Plug	Plug	Ref. 13
15	6193589M1	1	O-Ring	Joint Torique	O-Ring	Junta De Tipo O	
16	6193461M91	1	Plug	Bouchon	Stopfen	Tapón	
17	#PLUG	1	Plug	Plug	Plug	Plug	Ref. 16
18	6193589M1	1	O-Ring	Joint Torique	O-Ring	Junta De Tipo O	
19	6194048M91	1	Plug Assy	Bouchon Ass.	Stopfen Kplt	Tapón, Conj.	
20	#PLUG	1	Plug	Plug	Plug	Plug	Ref. 19
21	6194047M1	1	O - Ring	Joint Torique	O-Ring	Junta De Tipo O	
22	6194052M1	1	Plug	Bouchon	Stopfen	Tapón	
23	6194050M1	1	Gasket	Joint	Dichtring	Junta	
24	6194051M1	1	Plug	Bouchon	Stopfen	Tapón	
25	6193479M1	1	Seal 85mm O/D X 70mm I/D X 8mm Thick	Joint D´Arbre	Wellendichtring	Junta	
26	6193461M91	2	Plug	Bouchon	Stopfen	Tapón	
27	#PLUG	1	Plug	Plug	Plug	Plug	Ref. 26
28	6193589M1	1	O-Ring	Joint Torique	O-Ring	Junta De Tipo O	
29	6193461M91	3	Plug	Bouchon	Stopfen	Tapón	
30	#PLUG	1	Plug	Plug	Plug	Plug	Ref. 29

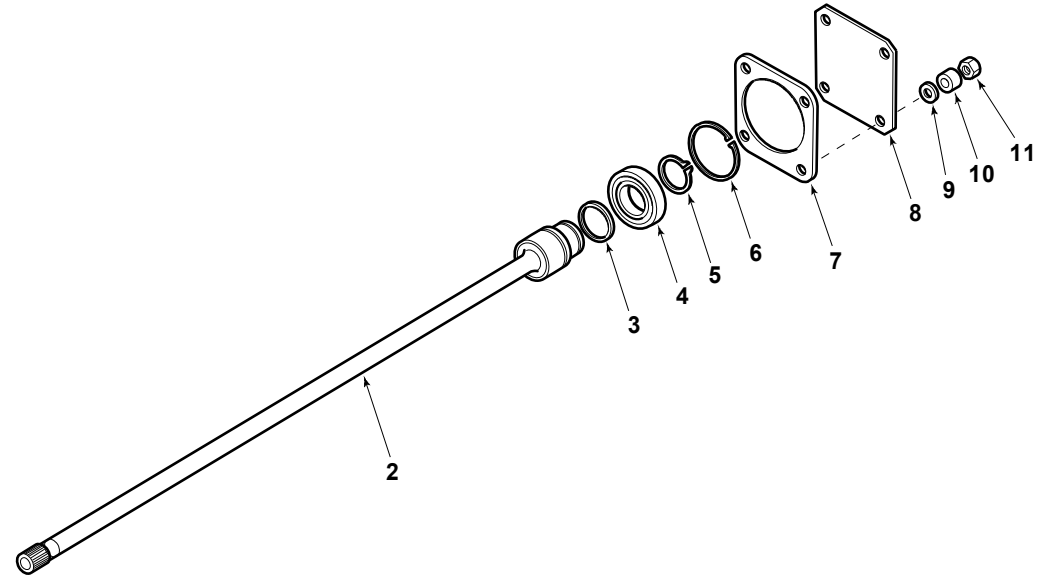


C-29004-04.1-A



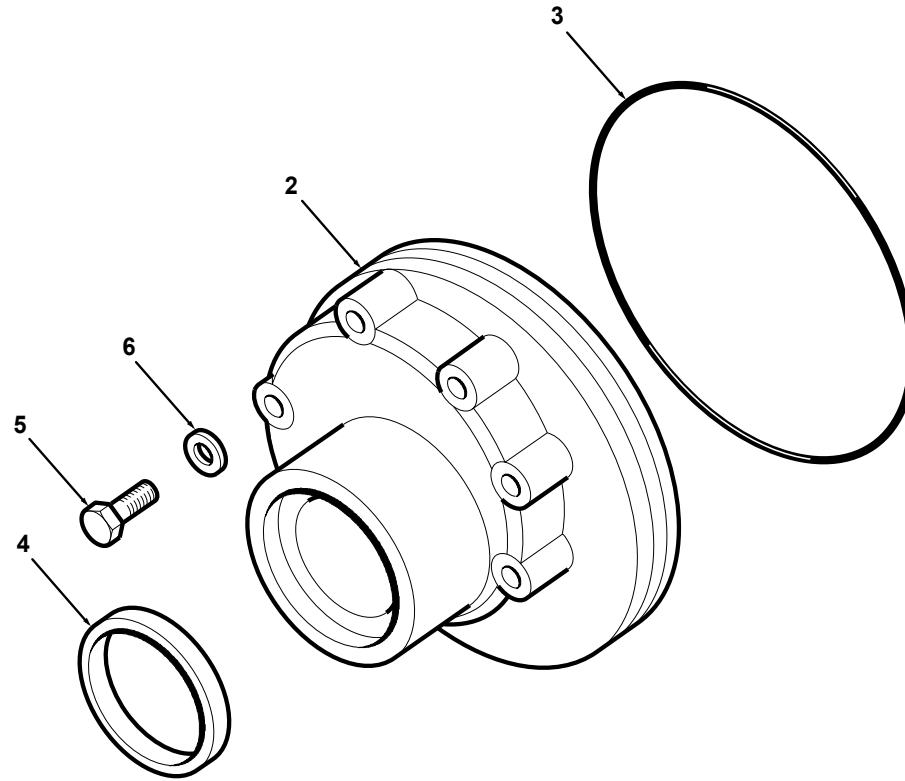
Item	Part No.	Qty.	English	French	German	Spanish	Remarks
31	6193589M1	1	O-Ring	Joint Torique	O-Ring	Junta De Tipo O	
32	6193462M91	1	Plug	Bouchon	Stopfen	Tapón	
33	#PLUG	1	Plug	Plug	Plug	Plug	Ref. 32
34	6193590M1	1	O-Ring	Joint Torique	O-Ring	Junta De Tipo O	
35	6194053M1	2	Screw	Vis	Schraube	Perno	
36	6193466M1	2	Washer	Rondelle	Scheibe	Arandela De Freno	
37	6193487M1	7	Bolt	Goupille	Bolzen	Perno	
38	6193466M1	7	Washer	Rondelle	Scheibe	Arandela De Freno	
39	6193484M1	2	Pin	Axe	Bolzen	Pasador	
40	6194054M1	4	Stud	Goujon	Stehbolzen	Espárrago	
41	6194049M1	1	Snap Ring	Anneau D'Arrêt	Sprengring	Anillo De Resorte	

C-29004-05.1-A



Item	Part No.	Qty.	English	French	German	Spanish	Remarks
1	6111916M92	1	Transmission Assembly 4ws P/Shift	Transmission Assembly 4ws P/Shift	Transmission Assembly 4ws P/Shift	Transmission Assembly 4ws P/Shift	
2	6194055M91	1	Shaft Assy	Arbre Ass.	Welle Kplt	Árbol, Conj.	
3	6194056M1	1	Piston Ring	Segment De Piston	Kolbenring	Segmento De Pistón	
4	6194057M91	1	Bearing	Roulement	Lager	Rodamiento, Conj.	
5	6193539M1	1	Ring	Anneau	Ring	Anillo De Resorte	
6	6193490M1	1	Ring	Anneau	Ring	Anillo De Retención	
7	6194058M1	1	Gasket	Joint	Dichtring	Empaquetadura	
8	6194059M1	1	Cover	Cache	Abdeckung	Placa	
9	6194060M1	4	Washer	Rondelle	Scheibe	Arandela	
10	6194061M1	4	Spacer	Entretoise	Distanzstück	Traviesa	
11	6194062M1	4	Nut	Ecrou	Mutter	Tuerca	

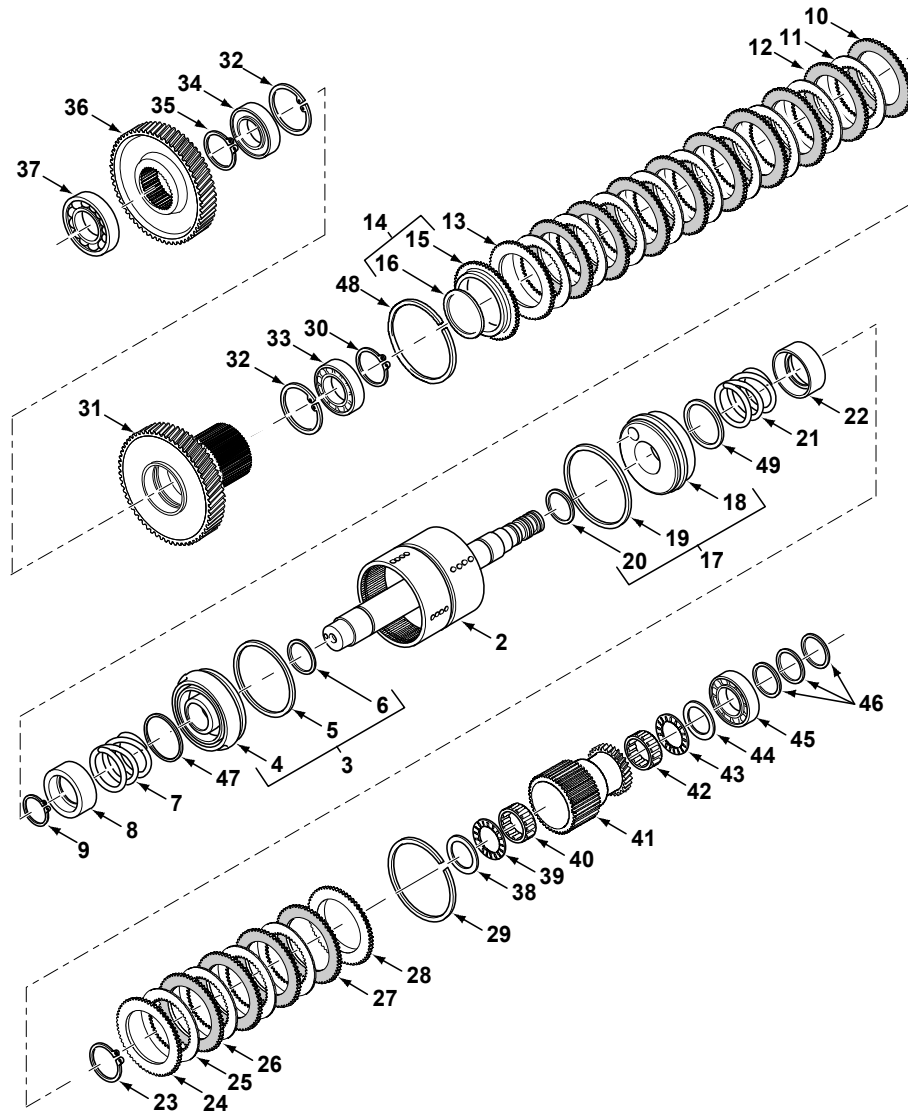
C-29004-06.1-A



Item	Part No.	Qty.	English	French	German	Spanish	Remarks
1	6111916M92	1	Transmission Assembly 4ws P/Shift	Transmission Assembly 4ws P/Shift	Transmission Assembly 4ws P/Shift	Transmission Assembly 4ws P/Shift	
2	6193496M91	1	Pump	Pompe	Pumpe	Bomba, Conj.	
3	6193497M1	1	O-Ring	Joint Torique	O-Ring	Junta De Tipo O	
4	6193498M1	1	Seal	Joint D´Arbre	Wellendichtring	Junta De Aceite	
5	6193499M1	6	Bolt	Goupille	Bolzen	Perno	
6	6193500M1	6	Washer	Rondelle	Scheibe	Arandela	



C-29004-07.1-A

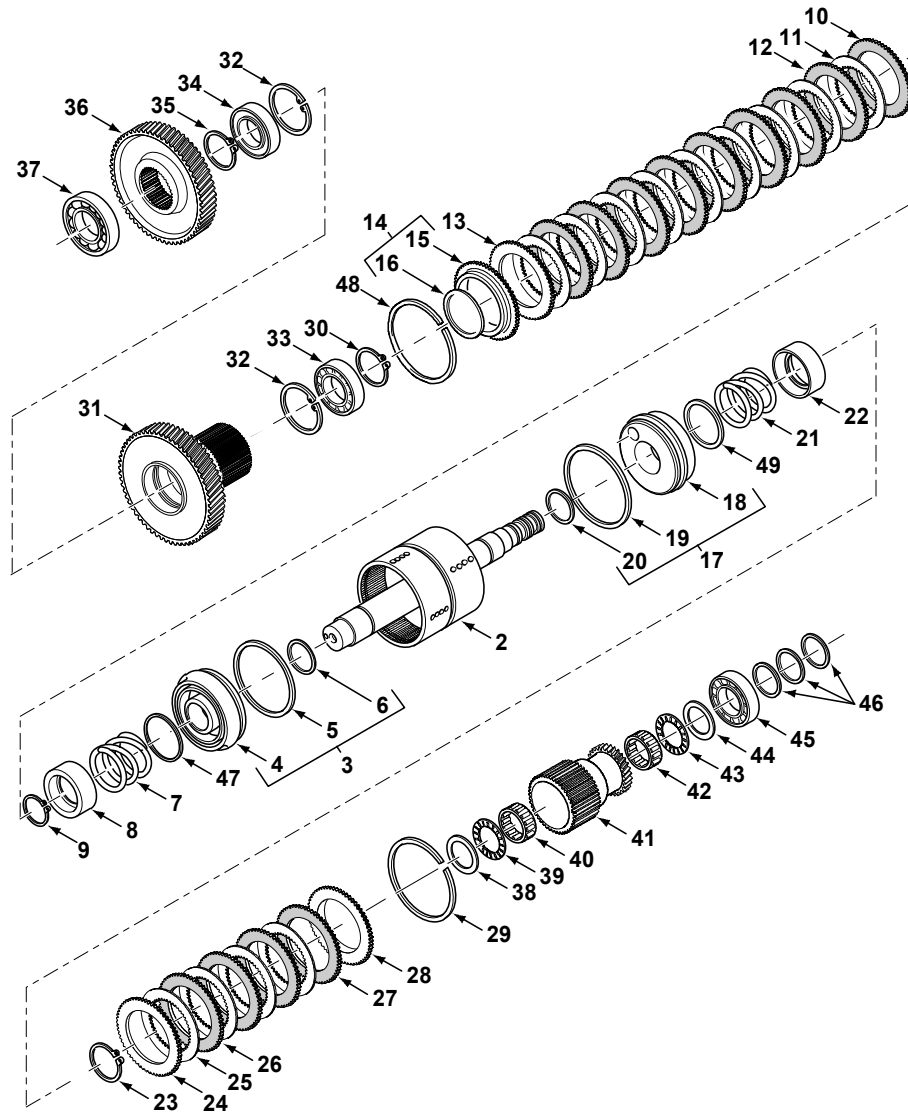




Item	Part No.	Qty.	English	French	German	Spanish	Remarks
1	6111916M92	1	Transmission Assembly 4ws P/Shift	Transmission Assembly 4ws P/Shift	Transmission Assembly 4ws P/Shift	Transmission Assembly 4ws P/Shift	
2	6193501M91	1	Shaft	Arbre	Welle	Árbol, Conj.	
3	6193502M91	1	Piston	Piston	Kolben	Pistón, Conj.	
4	#PISTON	1	Piston	Piston	Piston	Piston	Ref.3
5	6193595M1	1	Seal	Joint D´Arbre	Wellendichtring	Junta	
6	6193596M1	1	Seal	Joint D´Arbre	Wellendichtring	Junta	
7	6193504M1	1	Spring	Siège De Ressort	Federsitz	Muelle	
8	6193505M1	1	Retainer	Arrêtoir	Befestigungsteil	Fijación	
9	6193506M1	1	Ring	Anneau	Ring	Anillo De Resorte	
10	6193507M1	1	Plate	Plaque	Platte	Placa De Apoyo	
11	6193508M1	8	Disc	Disque	Scheibe	Disco De Fricción	
12	6193509M1	7	Plate	Plaque	Platte	Placa Intermediaria	
13	6193507M1	1	Plate	Plaque	Platte	Placa De Apoyo	
14	6193510M1	1	Plate	Plaque	Platte	Placa	
15	#PLATE	1	Plate	Plaque	Platte	Plato	Ref.14
16	6193598M1	1	Seal	Joint D´Arbre	Wellendichtring	Junta	
17	6193502M91	1	Piston	Piston	Kolben	Pistón, Conj.	
18	#PISTON	1	Piston	Piston	Piston	Piston	Ref.17
19	6193595M1	1	Seal	Joint D´Arbre	Wellendichtring	Junta	
20	6193596M1	1	Seal	Joint D´Arbre	Wellendichtring	Junta	
21	6193504M1	1	Spring	Siège De Ressort	Federsitz	Muelle	
22	6193505M1	1	Retainer	Arrêtoir	Befestigungsteil	Fijación	
23	6193506M1	1	Ring	Anneau	Ring	Anillo De Resorte	
24	6193507M1	1	Plate	Plaque	Platte	Placa De Apoyo	
25	6193508M1	4	Disc	Disque	Scheibe	Disco De Fricción	
26	6193509M1	3	Plate	Plaque	Platte	Placa Intermediaria	
27	6193507M1	1	Plate	Plaque	Platte	Placa De Apoyo	
28	6193512M1	1	Plate	Plaque	Platte	Placa De Apoyo	
29	6193511M1	1	Ring	Anneau	Ring	Anillo De Resorte	
30	6193513M1	1	Ring	Anneau	Ring	Anillo De Resorte	



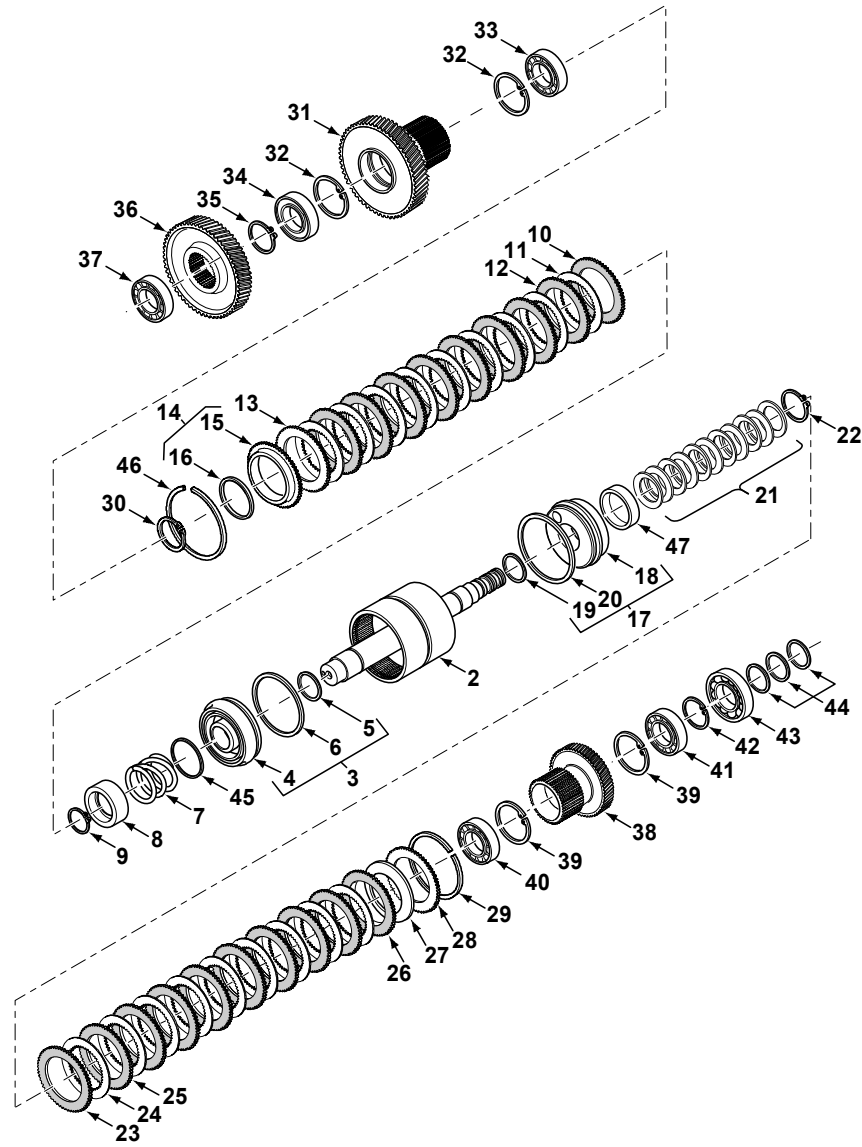
C-29004-07.1-A



Item	Part No.	Qty.	English	French	German	Spanish	Remarks
31	6193514M1	1	Gear	Pignon	Zahnrad	Piñón	
32	6193515M1	2	Ring	Anneau	Ring	Anillo De Resorte	
33	6193516M91	1	Bearing	Roulement	Lager	Cojinete	
34	6193517M91	1	Bearing	Roulement	Lager	Cojinete	
35	6193513M1	1	Ring	Anneau	Ring	Anillo De Resorte	
36	6193518M1	1	Gear	Pignon	Zahnrad	Piñón	
37	6193519M91	1	Bearing	Roulement	Lager	Cojinete	
38	6193520M1	1	Spacer	Entretoise	Distanzstück	Traviesa	
39	6193521M1	1	Bearing	Roulement	Lager	Cojinete Axial	
40	6193522M91	1	Bearing	Roulement	Lager	Cojinete, Agujas	
41	6193523M1	1	Gear	Pignon	Zahnrad	Piñón	
42	6193522M91	1	Bearing	Roulement	Lager	Cojinete, Agujas	
43	6193521M1	1	Bearing	Roulement	Lager	Cojinete Axial	
44	6193520M1	1	Spacer	Entretoise	Distanzstück	Traviesa	
45	6193524M91	1	Bearing	Roulement	Lager	Cojinete	
46	6193525M1	3	Ring	Anneau	Ring	Aro	
47	6193503M1	1	Plate	Plaque	Platte	Placa	
48	6193511M1	1	Ring	Anneau	Ring	Anillo De Resorte	
49	6193503M1	1	Plate	Plaque	Platte	Placa	



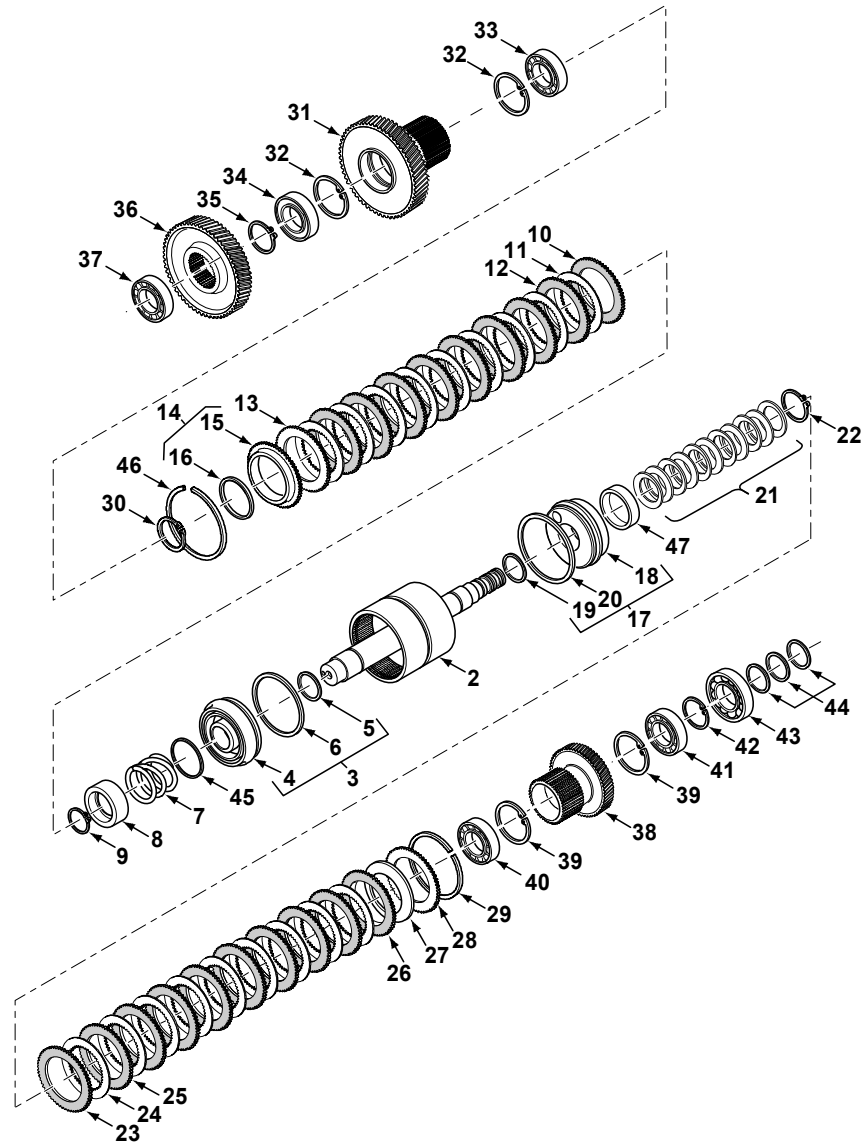
C-29004-08.1-A



Item	Part No.	Qty.	English	French	German	Spanish	Remarks
1	6111916M92	1	Transmission Assembly 4ws P/Shift	Transmission Assembly 4ws P/Shift	Transmission Assembly 4ws P/Shift	Transmission Assembly 4ws P/Shift	
2	6193526M91	1	Shaft	Arbre	Welle	Árbol, Conj.	
3	6193502M91	1	Piston	Piston	Kolben	Pistón, Conj.	
4	#PISTON	1	Piston	Piston	Piston	Piston	Ref.3
5	6193596M1	1	Seal	Joint D´Arbre	Wellendichtring	Junta	
6	6193595M1	1	Seal	Joint D´Arbre	Wellendichtring	Junta	
7	6193504M1	1	Spring	Siège De Ressort	Federsitz	Muelle	
8	6193505M1	1	Retainer	Arrêtoir	Befestigungsteil	Fijación	
9	6193506M1	1	Ring	Anneau	Ring	Anillo De Resorte	
10	6193507M1	1	Plate	Plaque	Platte	Placa De Apoyo	
11	6193508M1	8	Disc	Disque	Scheibe	Disco De Fricción	
12	6193509M1	1	Plate	Plaque	Platte	Placa Intermediaria	
13	6193507M1	1	Plate	Plaque	Platte	Placa De Apoyo	
14	6193510M1	1	Plate	Plaque	Platte	Placa	
15	#PLATE	1	Plate	Plaque	Platte	Plato	Ref.14
16	6193598M1	1	Seal	Joint D´Arbre	Wellendichtring	Junta	
17	6193502M91	1	Piston	Piston	Kolben	Pistón, Conj.	
18	#PISTON	1	Piston	Piston	Piston	Piston	Ref.17
19	6193596M1	1	Seal	Joint D´Arbre	Wellendichtring	Junta	
20	6193595M1	1	Seal	Joint D´Arbre	Wellendichtring	Junta	
21	6193469M1	1	Spring	Siège De Ressort	Federsitz	Muelle	
22	6193506M1	1	Ring	Anneau	Ring	Anillo De Resorte	
23	6193507M1	1	Plate	Plaque	Platte	Placa De Apoyo	
24	6193508M1	8	Disc	Disque	Scheibe	Disco De Fricción	
25	6193509M1	7	Plate	Plaque	Platte	Placa Intermediaria	
26	6193507M1	1	Plate	Plaque	Platte	Placa De Apoyo	
27	6193528M1	1	Spring	Siège De Ressort	Federsitz	Muelle	
28	6193512M1	1	Plate	Plaque	Platte	Placa De Apoyo	
29	6193511M1	1	Ring	Anneau	Ring	Anillo De Resorte	
30	6193513M1	1	Ring	Anneau	Ring	Anillo De Resorte	



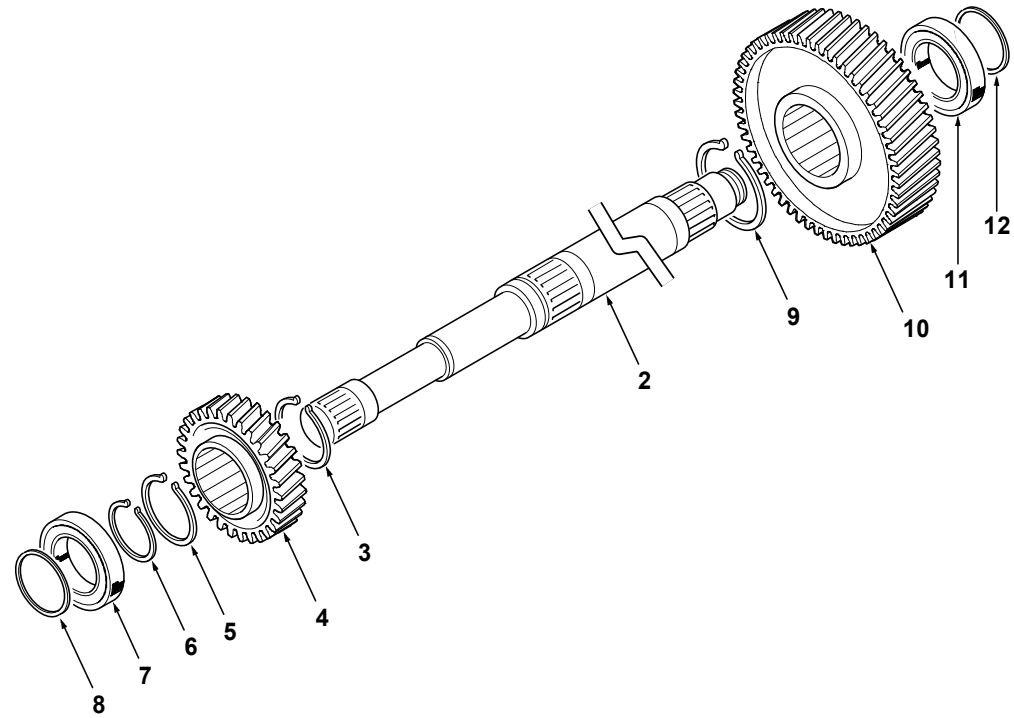
C-29004-08.1-A



Item	Part No.	Qty.	English	French	German	Spanish	Remarks
31	6193514M1	1	Gear	Pignon	Zahnrad	Piñón	
32	6193515M1	2	Ring	Anneau	Ring	Anillo De Resorte	
33	6194063M91	1	Bearing	Roulement	Lager	Rodamiento, Conj.	
34	6193517M91	1	Bearing	Roulement	Lager	Cojinete	
35	6193513M1	1	Ring	Anneau	Ring	Anillo De Resorte	
36	6194064M1	1	Gear	Pignon	Zahnrad	Piñón	
37	6193519M91	1	Bearing	Roulement	Lager	Cojinete	
38	6193530M1	1	Gear	Pignon	Zahnrad	Piñón	
39	6193531M1	2	Ring	Anneau	Ring	Anillo De Resorte	
40	6193532M91	1	Bearing	Roulement	Lager	Cojinete	
41	6193533M91	1	Bearing	Roulement	Lager	Cojinete	
42	6193534M1	1	Ring	Anneau	Ring	Anillo De Resorte	
43	6193535M91	1	Bearing	Roulement	Lager	Cojinete	
44	6193525M1	3	Ring	Anneau	Ring	Aro	
45	6193503M1	1	Plate	Plaque	Platte	Placa	
46	6193511M1	1	Ring	Anneau	Ring	Anillo De Resorte	
47	6193527M1	1	Ring	Anneau	Ring	Traviesa	



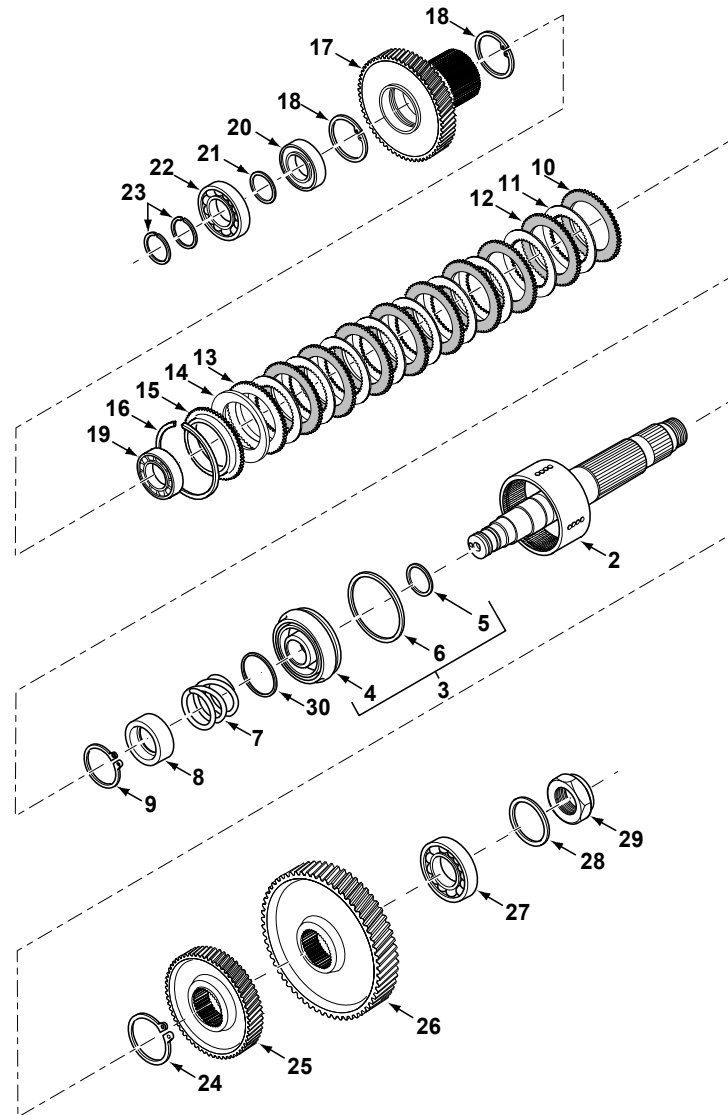
C-29004-09.1-A





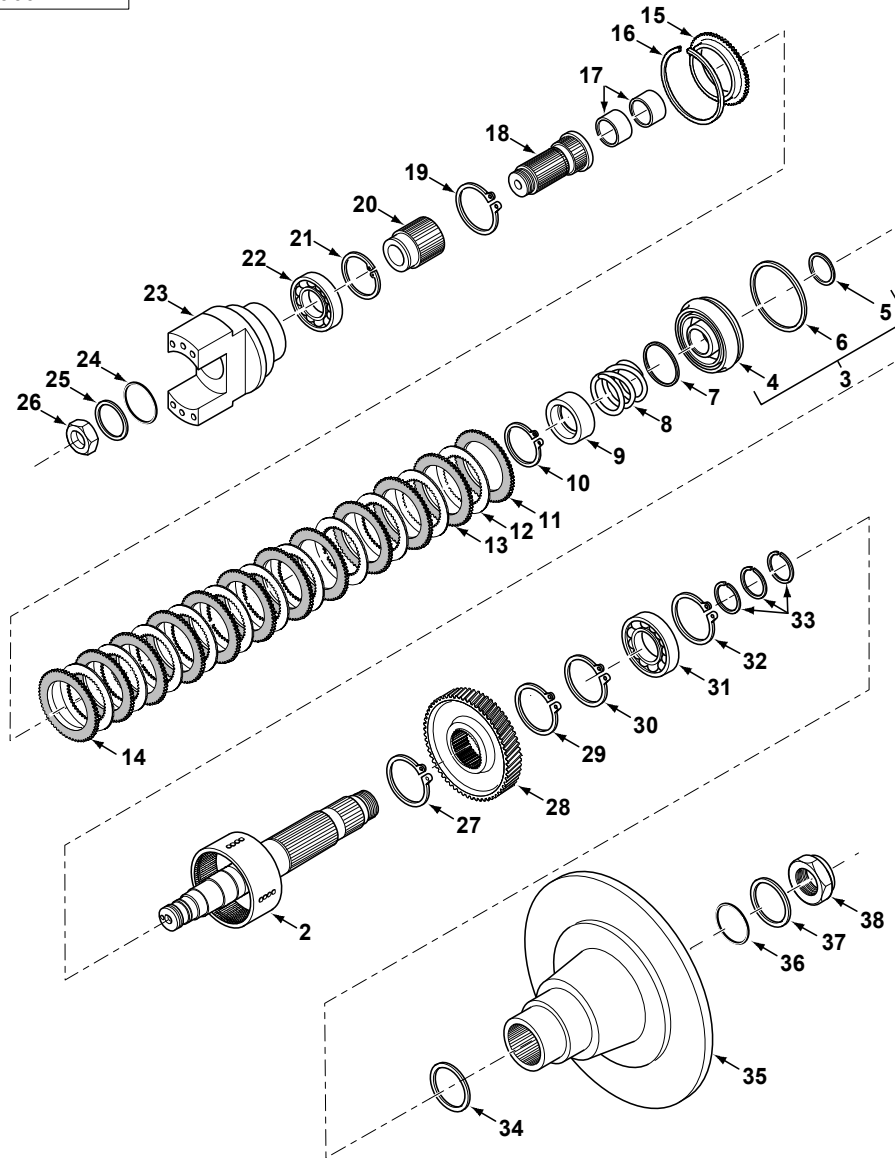
Item	Part No.	Qty.	English	French	German	Spanish	Remarks
1	6111916M92	1	Transmission Assembly 4ws P/Shift	Transmission Assembly 4ws P/Shift	Transmission Assembly 4ws P/Shift	Transmission Assembly 4ws P/Shift	
2	6193536M1	1	Shaft	Arbre	Welle	Árbol, Conj.	
3	6193537M1	1	Snap Ring	Anneau D'Arrêt	Sprengring	Anillo De Resorte	
4	6193538M1	1	Gear	Pignon	Zahnrad	Piñón	
5	6193513M1	1	Ring	Anneau	Ring	Anillo De Resorte	
6	6193539M1	1	Ring	Anneau	Ring	Anillo De Resorte	
7	6193535M91	1	Bearing	Roulement	Lager	Cojinete	
8	6193525M1	1	Ring	Anneau	Ring	Aro	
9	6193513M1	1	Ring	Anneau	Ring	Anillo De Resorte	
10	6193541M1	1	Gear	Pignon	Zahnrad	Piñón	
11	6193535M91	1	Bearing	Roulement	Lager	Cojinete	
12	6193525M1	1	Ring	Anneau	Ring	Aro	

C-29004-10.1-A



Item	Part No.	Qty.	English	French	German	Spanish	Remarks
1	6111916M92	1	Transmission Assembly 4ws P/Shift	Transmission Assembly 4ws P/Shift	Transmission Assembly 4ws P/Shift	Transmission Assembly 4ws P/Shift	
2	6194087M91	1	Shaft Assy	Arbre Ass.	Welle Kplt	Árbol, Conj.	
3	6193502M91	1	Piston	Piston	Kolben	Pistón, Conj.	
4	#PISTON	1	Piston	Piston	Piston	Piston	Ref.3
5	6193596M1	1	Seal	Joint D´Arbre	Wellendichtring	Junta	
6	6193595M1	1	Seal	Joint D´Arbre	Wellendichtring	Junta	
7	6193504M1	1	Spring	Siège De Ressort	Federsitz	Muelle	
8	6193505M1	1	Retainer	Arrêteoir	Befestigungsteil	Fijación	
9	6193506M1	1	Ring	Anneau	Ring	Anillo De Resorte	
10	6193507M1	1	Plate	Plaque	Platte	Placa De Apoyo	
11	6193508M1	8	Disc	Disque	Scheibe	Disco De Fricción	
12	6193509M1	7	Plate	Plaque	Platte	Placa Intermediaria	
13	6193507M1	1	Plate	Plaque	Platte	Placa De Apoyo	
14	6193528M1	1	Spring	Siège De Ressort	Federsitz	Muelle	
15	6193512M1	1	Plate	Plaque	Platte	Placa De Apoyo	
16	6193511M1	1	Ring	Anneau	Ring	Anillo De Resorte	
17	6193543M1	1	Gear	Pignon	Zahnrad	Piñón	
18	6193531M1	2	Ring	Anneau	Ring	Anillo De Resorte	
19	6193532M91	1	Bearing	Roulement	Lager	Cojinete	
20	6193533M91	1	Bearing	Roulement	Lager	Cojinete	
21	6193544M1	1	Washer	Rondelle	Scheibe	Arandela	
22	6193535M91	1	Bearing	Roulement	Lager	Cojinete	
23	6193525M1	2	Ring	Anneau	Ring	Aro	
24	6193545M1	1	Ring	Anneau	Ring	Anillo De Resorte	
25	6194065M1	1	Gear	Pignon	Zahnrad	Piñón	
26	6193547M1	1	Gear	Pignon	Zahnrad	Piñón	
27	6193548M91	1	Bearing	Roulement	Lager	Cojinete	
28	6193551M1	1	Washer	Rondelle	Scheibe	Arandela	
29	6193552M1	1	Nut	Ecrou	Mutter	Tuerca	
30	6193503M1	1	Plate	Plaque	Platte	Placa	

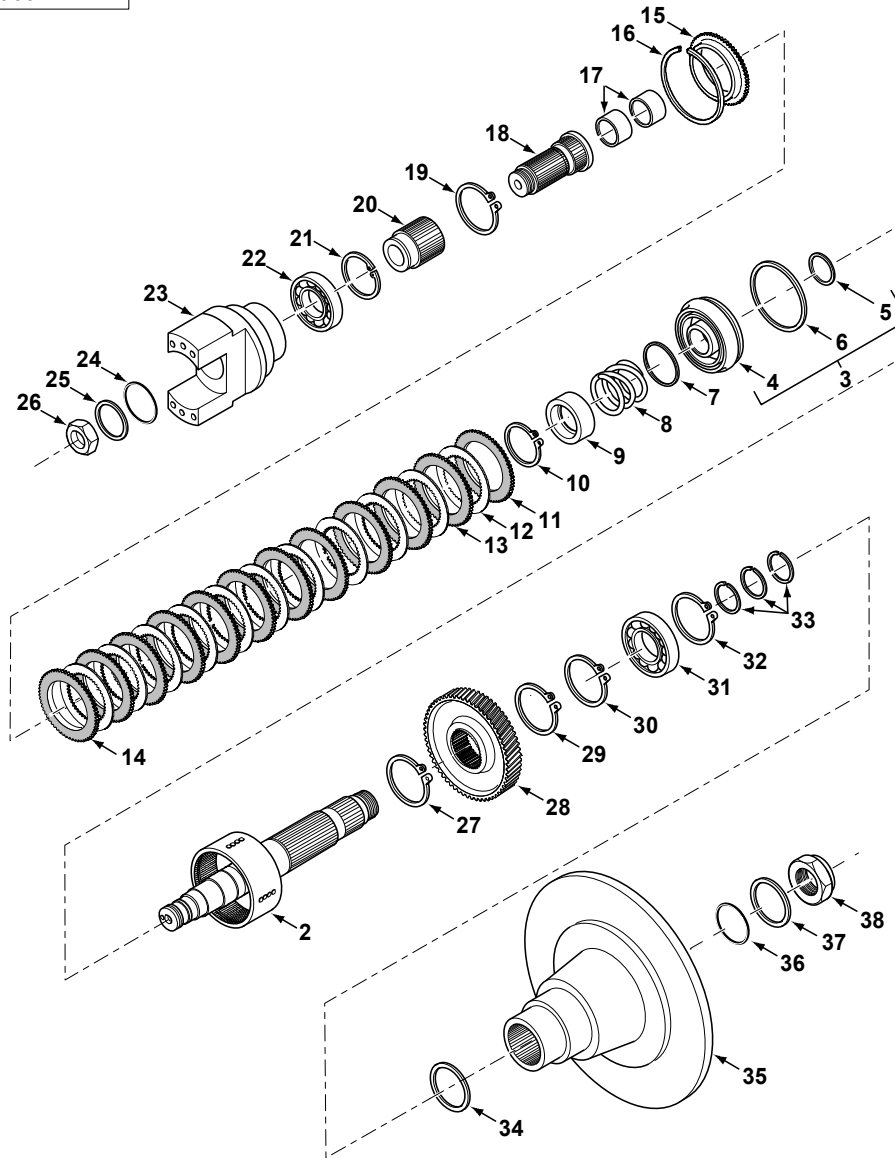
C-29004-11.1-A



Item	Part No.	Qty.	English	French	German	Spanish	Remarks
1	6111916M92	1	Transmission Assembly 4ws P/Shift	Transmission Assembly 4ws P/Shift	Transmission Assembly 4ws P/Shift	Transmission Assembly 4ws P/Shift	
2	6194088M91	1	Shaft Assy	Arbre Ass.	Welle Kplt	Árbol, Conj.	
3	6193502M91	1	Piston	Piston	Kolben	Pistón, Conj.	
4	#PISTON	1	Piston	Piston	Piston	Piston	Ref.3
5	6193596M1	1	Seal	Joint D´Arbre	Wellendichtring	Junta	
6	6193595M1	1	Seal	Joint D´Arbre	Wellendichtring	Junta	
7	6193503M1	1	Plate	Plaque	Platte	Placa	
8	6193504M1	1	Spring	Siège De Ressort	Federsitz	Muelle	
9	6193505M1	1	Retainer	Arrêteoir	Befestigungsteil	Fijación	
10	6193506M1	1	Ring	Anneau	Ring	Anillo De Resorte	
11	6193507M1	1	Plate	Plaque	Platte	Placa De Apoyo	
12	6193508M1	12	Disc	Disque	Scheibe	Disco De Fricción	
13	6193509M1	11	Plate	Plaque	Platte	Placa Intermediaria	
14	6193507M1	1	Plate	Plaque	Platte	Placa De Apoyo	
15	6193512M1	1	Plate	Plaque	Platte	Placa De Apoyo	
16	6193511M1	1	Ring	Anneau	Ring	Anillo De Resorte	
17	6194073M1	2	Bushing	Bague	Büchse	Anillo	
18	6194072M91	1	Shaft Assy	Arbre Ass.	Welle Kplt	Árbol, Conj.	
19	6193545M1	1	Ring	Anneau	Ring	Anillo De Resorte	
20	6194074M1	1	Hub	Moyeu	Nabe	Cubo	
21	6194075M1	1	Snap Ring	Anneau D´Arrêt	Sprengring	Anillo De Resorte	
22	6194076M91	1	Bearing	Roulement	Lager	Rodamiento, Conj.	
23	6193549M1	1	Flange	Flasque	Flansch	Brida De Unión	
24	6193550M1	1	O-Ring	Joint Torique	O-Ring	Junta De Tipo O	
25	6193551M1	1	Washer	Rondelle	Scheibe	Arandela	
26	6193552M1	1	Nut	Ecrou	Mutter	Tuerca	
27	6194067M1	1	Snap Ring	Anneau D´Arrêt	Sprengring	Anillo De Resorte	
28	6194068M1	1	Gear	Pignon	Zahnrad	Piñón	
29	6194067M1	1	Snap Ring	Anneau D´Arrêt	Sprengring	Anillo De Resorte	
30	6194069M1	1	Snap Ring	Anneau D´Arrêt	Sprengring	Anillo De Resorte	



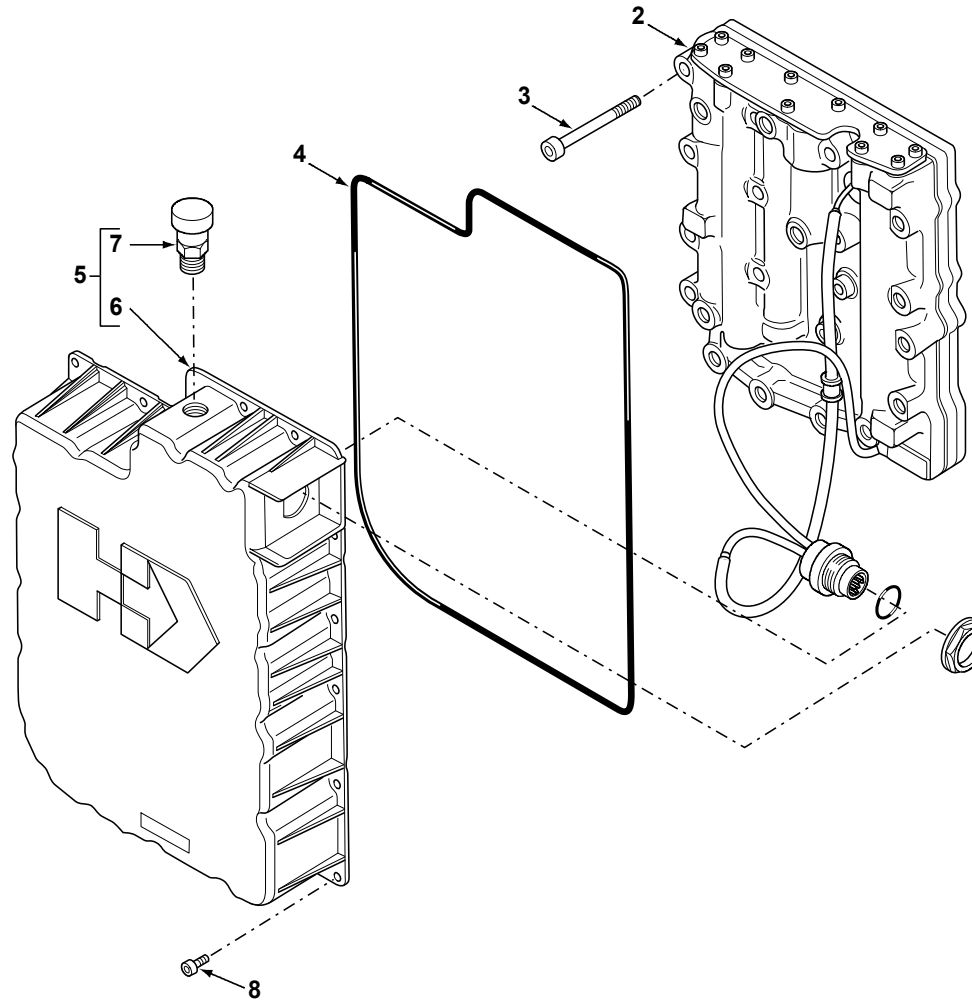
C-29004-11.1-A



Item	Part No.	Qty.	English	French	German	Spanish	Remarks
31	6194070M91	1	Bearing	Roulement	Lager	Rodamiento, Conj.	
32	6194069M1	1	Snap Ring	Anneau D' Arrêt	Sprengring	Anillo De Resorte	
33	6194071M1	3	Piston Ring	Segment De Piston	Kolbenring	Segmento De Pistón	
34	6194089M1	1	Spacer	Entretoise	Distanzstück	Traviesa	
35	6193549M1	1	Flange	Flasque	Flansch	Brida De Unión	
36	6193550M1	1	O-Ring	Joint Torique	O-Ring	Junta De Tipo O	
37	6193551M1	1	Washer	Rondelle	Scheibe	Arandela	
38	6193552M1	1	Nut	Ecrou	Mutter	Tuerca	



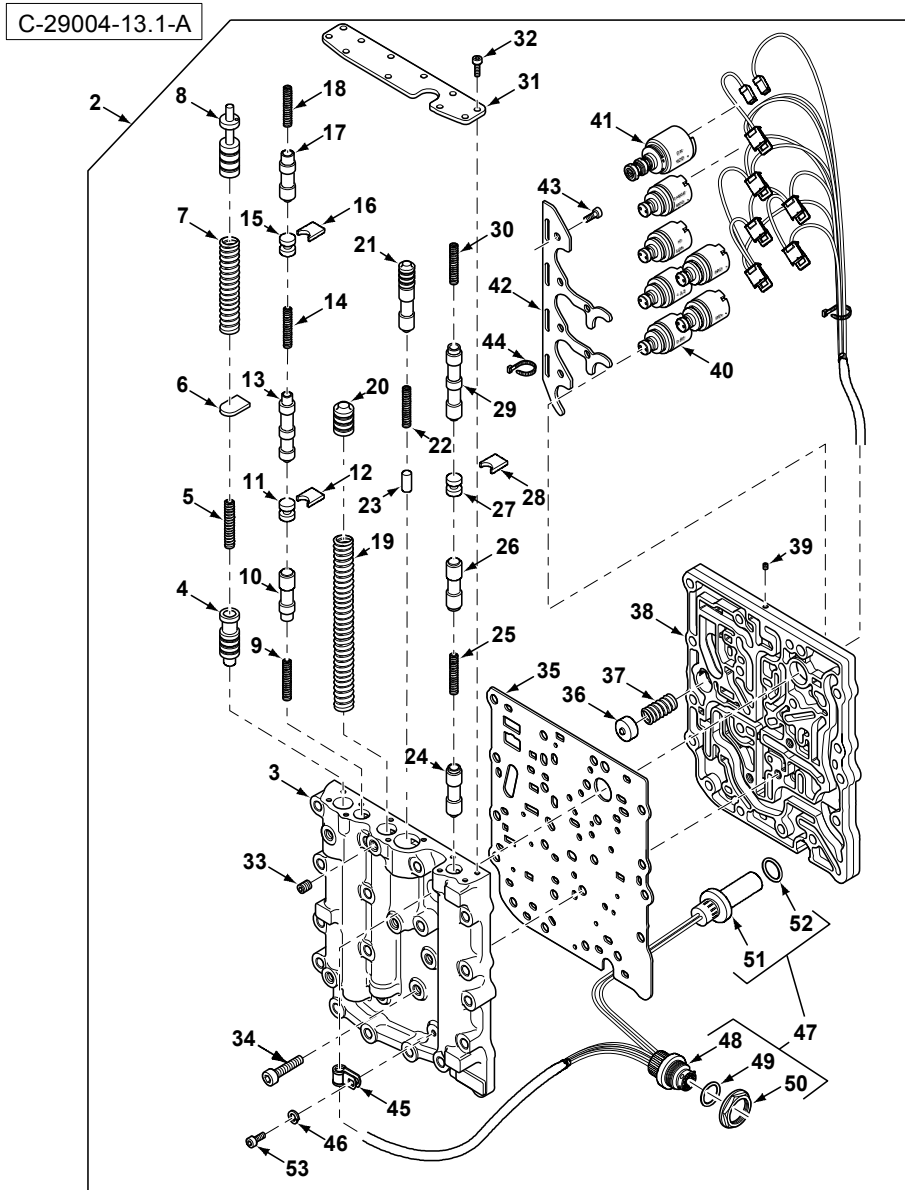
C-29004-12.1-A





Item	Part No.	Qty.	English	French	German	Spanish	Remarks
1	6111916M92	1	Transmission Assembly 4ws P/Shift	Transmission Assembly 4ws P/Shift	Transmission Assembly 4ws P/Shift	Transmission Assembly 4ws P/Shift	
2	6194077M91	1	Control Valve Assy	Distributeur	Steuergerät	Distribuidor, Conj.	29004c13.1 2 H200 6 9928
2	6194761M91	1	Valve - Control	Ensemble Distributio	Steuerventilblock Kp	Distribuidor, Conj.	29004c13.1 2 H200 6 9928
3	6193559M1	17	Bolt	Goupille	Bolzen	Perno	
4	6193560M1	1	Seal	Joint D´Arbre	Wellendichtring	Junta	
5	6193561M91	1	Cover	Cache	Abdeckung	Tapa, Conj.	
6	#COVER	1	Cover	Cover	Cover	Cover	Ref.5
7	6193597M1	1	Breather	Reni•ard	Entlüftung	Ventilador Del Cártar	
8	6193493M1	9	Bolt	Goupille	Bolzen	Perno	

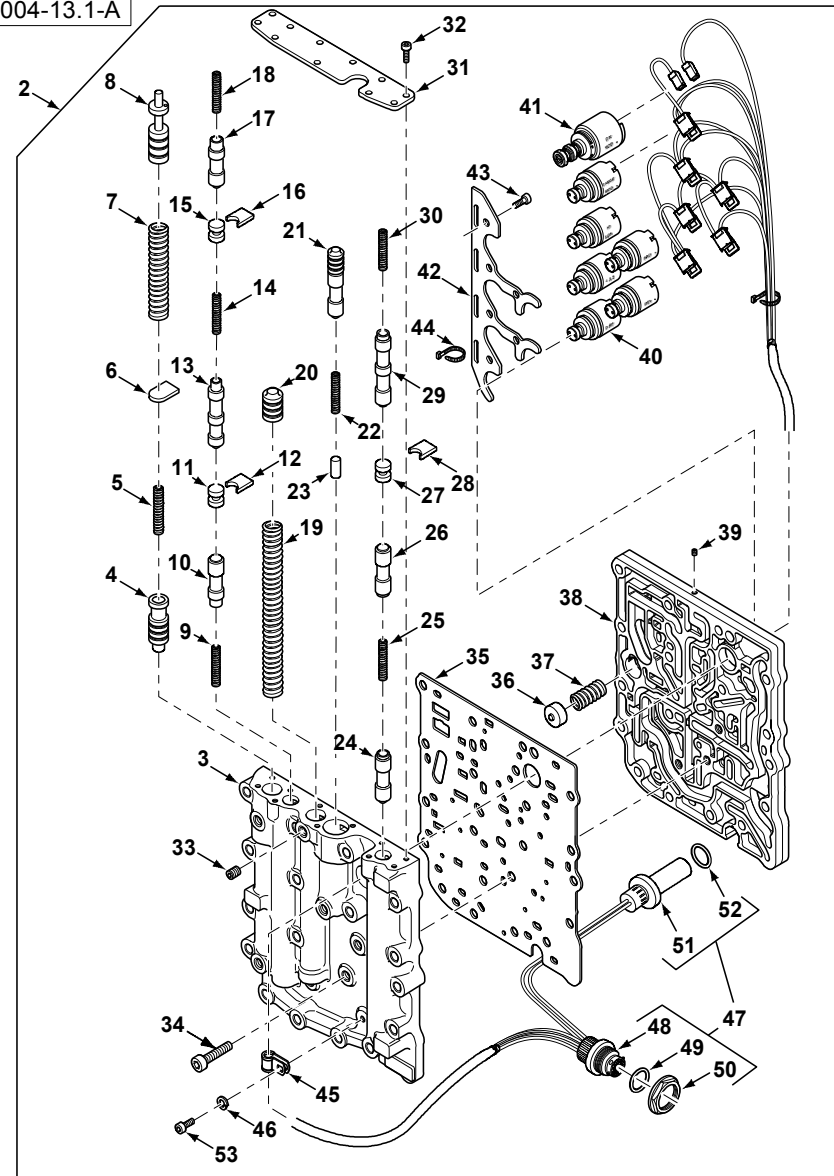




Item	Part No.	Qty.	English	French	German	Spanish	Remarks
1	6111916M92	1	Transmission Assembly 4ws P/Shift	Transmission Assembly 4ws P/Shift	Transmission Assembly 4ws P/Shift	Transmission Assembly 4ws P/Shift	
2	6194761M91	1	Valve - Control	Ensemble Distributio	Steuerventilblock Kp	Distribuidor, Conj.	29004c12.1 2 H200 6 9928
2	6194077M91	1	Control Valve Assy	Distributeur	Steuergerät	Distribuidor, Conj.	29004c12.1 2 H200 6 9928
3	#BODY	1	Body	Body	Body	Body	Ref.2
4	#SPOOL	1	Spool	Spool	Spool	Spool	Ref.2
5	#SPRING	1	Spring	Ressort	Feder	Muelle	Ref.2
6	#PLATE	1	Plate	Plaque	Platte	Plato	Ref.2
7	#SPRING	1	Spring	Ressort	Feder	Muelle	Ref.2
8	#SPOOL	1	Spool	Spool	Spool	Spool	Ref.2
9	#SPRING	1	Spring	Ressort	Feder	Muelle	Ref.2
10	#SPOOL	1	Spool	Spool	Spool	Spool	Ref.2
11	#STOP	1	Stop	Stop	Stop	Stop	Ref.2
12	#PLATE	1	Plate	Plaque	Platte	Plato	Ref.2
13	#SPOOL	1	Spool	Spool	Spool	Spool	Ref.2
14	#SPRING	1	Spring	Ressort	Feder	Muelle	Ref.2
15	#STOP	1	Stop	Stop	Stop	Stop	Ref.2
16	#PLATE	1	Plate	Plaque	Platte	Plato	Ref.2
17	#SPOOL	1	Spool	Spool	Spool	Spool	Ref.2
18	#SPRING	1	Spring	Ressort	Feder	Muelle	Ref.2
19	#SPRING	1	Spring	Ressort	Feder	Muelle	Ref.2
20	#SPOOL	1	Spool	Spool	Spool	Spool	Ref.2
21	#SPOOL	1	Spool	Spool	Spool	Spool	Ref.2
22	#SPRING	1	Spring	Ressort	Feder	Muelle	Ref.2
23	#STOP	1	Stop	Stop	Stop	Stop	Ref.2
24	#SPOOL	1	Spool	Spool	Spool	Spool	Ref.2
25	#SPRING	1	Spring	Ressort	Feder	Muelle	Ref.2
26	#SPOOL	1	Spool	Spool	Spool	Spool	Ref.2
27	#STOP	1	Stop	Stop	Stop	Stop	Ref.2
28	#PLATE	1	Plate	Plaque	Platte	Plato	Ref.2
29	#SPOOL	1	Spool	Spool	Spool	Spool	Ref.2



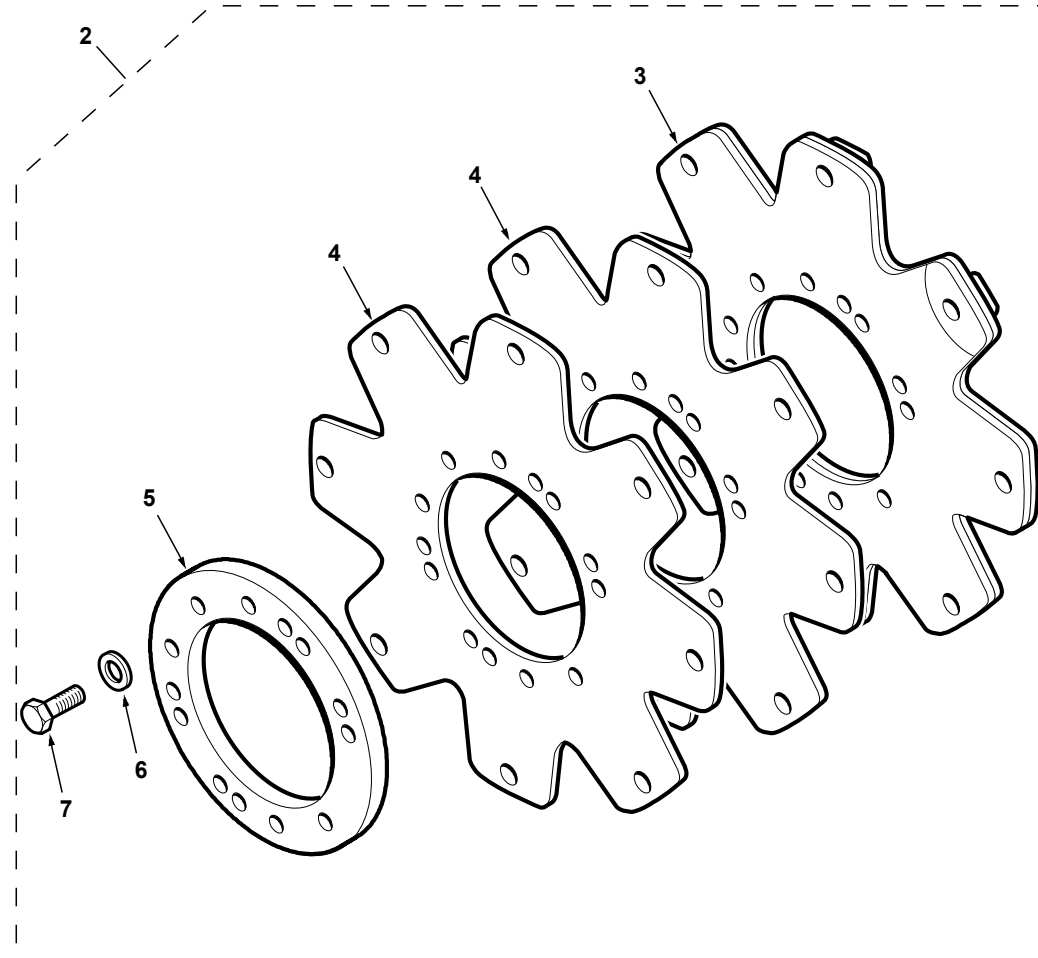
C-29004-13.1-A



Item	Part No.	Qty.	English	French	German	Spanish	Remarks
30	#SPRING	1	Spring	Ressort	Feder	Muelle	Ref.2
31	#COVER	1	Cover	Cover	Cover	Cover	Ref.2
32	6193569M1	11	Bolt	Goupille	Bolzen	Perno	
33	6194078M1	3	Plug	Bouchon	Stopfen	Tapón	
34	6193563M1	3	Bolt	Goupille	Bolzen	Perno	
35	#PLATE	1	Plate	Plaque	Platte	Plato	Ref.2
36	6193564M1	1	Spool	Tiroir	Schieber	Cajoncillo	
37	6193565M1	1	Spring	Siège De Ressort	Federsitz	Muelle	
38	#PLATE	1	Plate	Plaque	Platte	Plato	Ref.2
39	6193566M1	6	Plug	Bouchon	Stopfen	Tapón	
40	6193567M91	6	Solenoid	Solénoïde	Magnetspule	Solenoide	
41	6194760M91	1	Solenoid	Solenoïde	Magnetspule	Válvula, Conj.	H200 6 9928
41	6194079M91	1	Solenoid	Solénoïde	Magnetspule	Válvula, Conj.	H200 6 9928
42	#CLAMP	1	Clamp	Clamp	Clamp	Clamp	Ref.2
43	6193569M1	6	Bolt	Goupille	Bolzen	Perno	
44	6193570M1	6	Tie	Attache	Kupplstange	Enlace De Cable	
45	6193573M91	1	Clamp	Collier De Serrage	Klemme	Argolla De Cierre	
46	6193574M1	1	Washer	Rondelle	Scheibe	Arandela De Freno	
47	6194090M91	1	Harness Assy	Faisceau Ass.	Kabelstrang Kplt	Haz, Conj.	
48	#HARNESS	1	Harness	Harness	Harness	Harness	Ref.47
49	6193571M1	1	O-Ring	Joint Torique	O-Ring	Junta De Tipo O	
50	#NUT	1	Nut	Ecrou	Mutter	Tuerca	Ref.47
51	6194080M91	1	Sensor - Speed/ Temperature	Captteur	Sensor	Captador	
52	6194081M1	1	O - Ring	Joint Torique	O-Ring	Junta De Tipo O	
53	6193575M1	1	Plug	Bouchon	Stopfen	Perno	



C-29004-14.1-A



Item	Part No.	Qty.	English	French	German	Spanish	Remarks
1	6111916M92	1	Transmission Assembly 4ws P/Shift	Transmission Assembly 4ws P/Shift	Transmission Assembly 4ws P/Shift	Transmission Assembly 4ws P/Shift	
2	6194085M91	1	Kit - Drive Plate	Lot De Pièces	Ersatzteilpaket	Juego De Piezas	
3	#PLATE, DRIVE	1	Plate, Drive	Plate, Drive	Plate, Drive	Plate, Drive	Ref. 2
4	#PLATE, DRIVE	2	Plate, Drive	Plate, Drive	Plate, Drive	Plate, Drive	Ref. 2
5	6194082M1	1	Ring	Anneau	Ring	Aro	
6	6194083M1	6	Washer	Rondelle	Scheibe	Arandela De Freno	
7	6194084M1	6	Screw	Vis	Schraube	Tornillo	

**Not Illustrated**

**Non Illustrée**

**Nicht Abgebildet**

**Non Illustrato**

**No Ilustrado**



---

<b>Item</b>	<b>Part No.</b>	<b>Qty.</b>	<b>English</b>	<b>French</b>	<b>German</b>	<b>Spanish</b>	<b>Remarks</b>
-------------	-----------------	-------------	----------------	---------------	---------------	----------------	----------------

---

**Not Serviced**

THIS PAGE INTENTIONALLY LEFT BLANK



**Not Illustrated**

**Non Illustrée**

**Nicht Abgebildet**

**Non Illustrato**

**No Ilustrado**

---

<b>Item</b>	<b>Part No.</b>	<b>Qty.</b>	<b>English</b>	<b>French</b>	<b>German</b>	<b>Spanish</b>	<b>Remarks</b>
-------------	-----------------	-------------	----------------	---------------	---------------	----------------	----------------

---



**Not Illustrated**

**Non Illustrée**

**Nicht Abgebildet**

**Non Illustrato**

**No Ilustrado**

---

Item	Part No.	Qty.	English	French	German	Spanish	Remarks
------	----------	------	---------	--------	--------	---------	---------

---



**Not Illustrated**

**Non Illustrée**

**Nicht Abgebildet**

**Non Illustrato**

**No Ilustrado**



---

Item	Part No.	Qty.	English	French	German	Spanish	Remarks
------	----------	------	---------	--------	--------	---------	---------

---

**Not Illustrated**

**Non Illustrée**

**Nicht Abgebildet**

**Non Illustrato**

**No Ilustrado**

---

<b>Item</b>	<b>Part No.</b>	<b>Qty.</b>	<b>English</b>	<b>French</b>	<b>German</b>	<b>Spanish</b>	<b>Remarks</b>
-------------	-----------------	-------------	----------------	---------------	---------------	----------------	----------------

---

**Not Illustrated**

**Non Illustrée**

**Nicht Abgebildet**

**Non Illustrato**

**No Ilustrado**

---

Item	Part No.	Qty.	English	French	German	Spanish	Remarks
------	----------	------	---------	--------	--------	---------	---------

---



**Not Illustrated**

**Non Illustrée**

**Nicht Abgebildet**

**Non Illustrato**

**No Ilustrado**

---

Item	Part No.	Qty.	English	French	German	Spanish	Remarks
------	----------	------	---------	--------	--------	---------	---------

---

**Not Illustrated**

**Non Illustrée**

**Nicht Abgebildet**

**Non Illustrato**

**No Ilustrado**



---

Item	Part No.	Qty.	English	French	German	Spanish	Remarks
------	----------	------	---------	--------	--------	---------	---------

---



**Not Illustrated**

**Non Illustrée**

**Nicht Abgebildet**

**Non Illustrato**

**No Ilustrado**

---

<b>Item</b>	<b>Part No.</b>	<b>Qty.</b>	<b>English</b>	<b>French</b>	<b>German</b>	<b>Spanish</b>	<b>Remarks</b>
-------------	-----------------	-------------	----------------	---------------	---------------	----------------	----------------

---



**Not Illustrated**

**Non Illustrée**

**Nicht Abgebildet**

**Non Illustrato**

**No Ilustrado**

---

<b>Item</b>	<b>Part No.</b>	<b>Qty.</b>	<b>English</b>	<b>French</b>	<b>German</b>	<b>Spanish</b>	<b>Remarks</b>
-------------	-----------------	-------------	----------------	---------------	---------------	----------------	----------------

---



**Not Illustrated**

**Non Illustrée**

**Nicht Abgebildet**

**Non Illustrato**

**No Ilustrado**

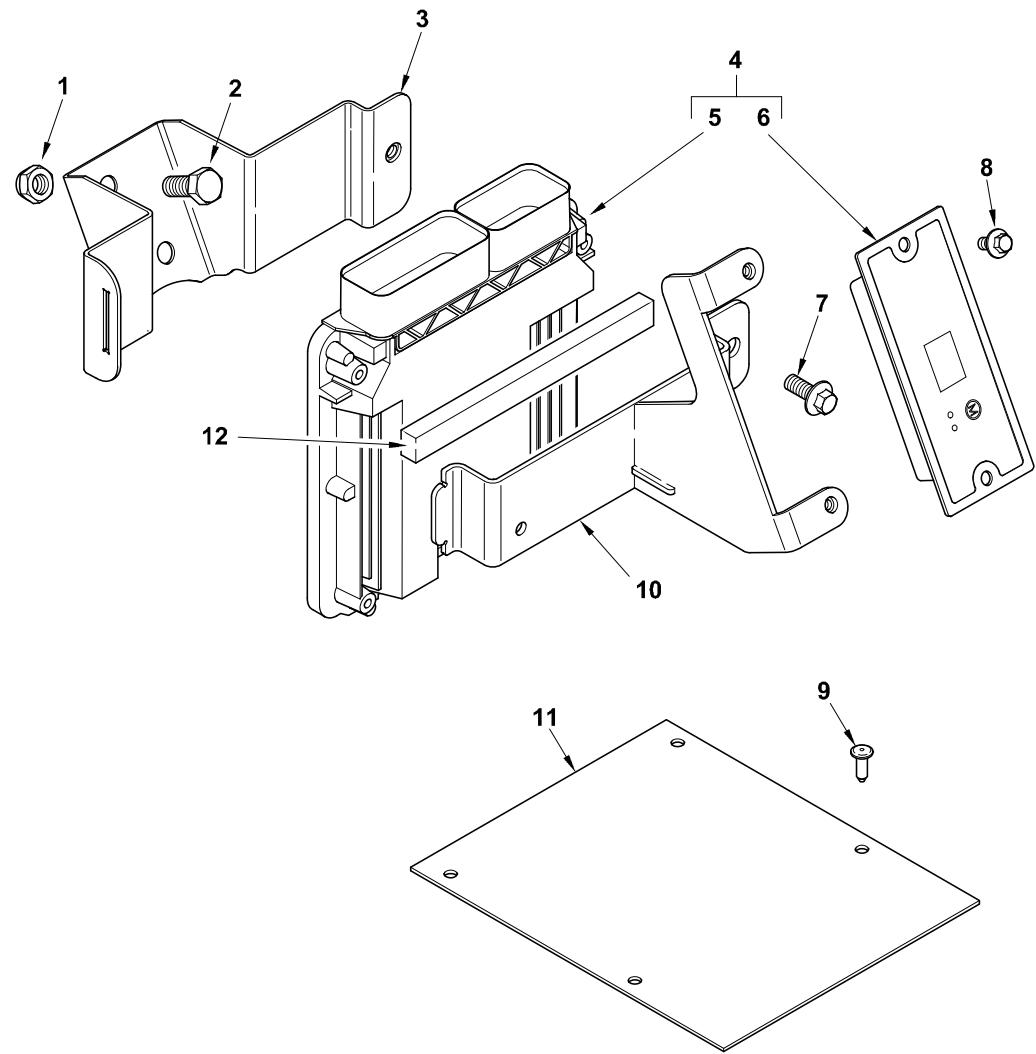
---

<b>Item</b>	<b>Part No.</b>	<b>Qty.</b>	<b>English</b>	<b>French</b>	<b>German</b>	<b>Spanish</b>	<b>Remarks</b>
-------------	-----------------	-------------	----------------	---------------	---------------	----------------	----------------

---



C-31004-02.1-B





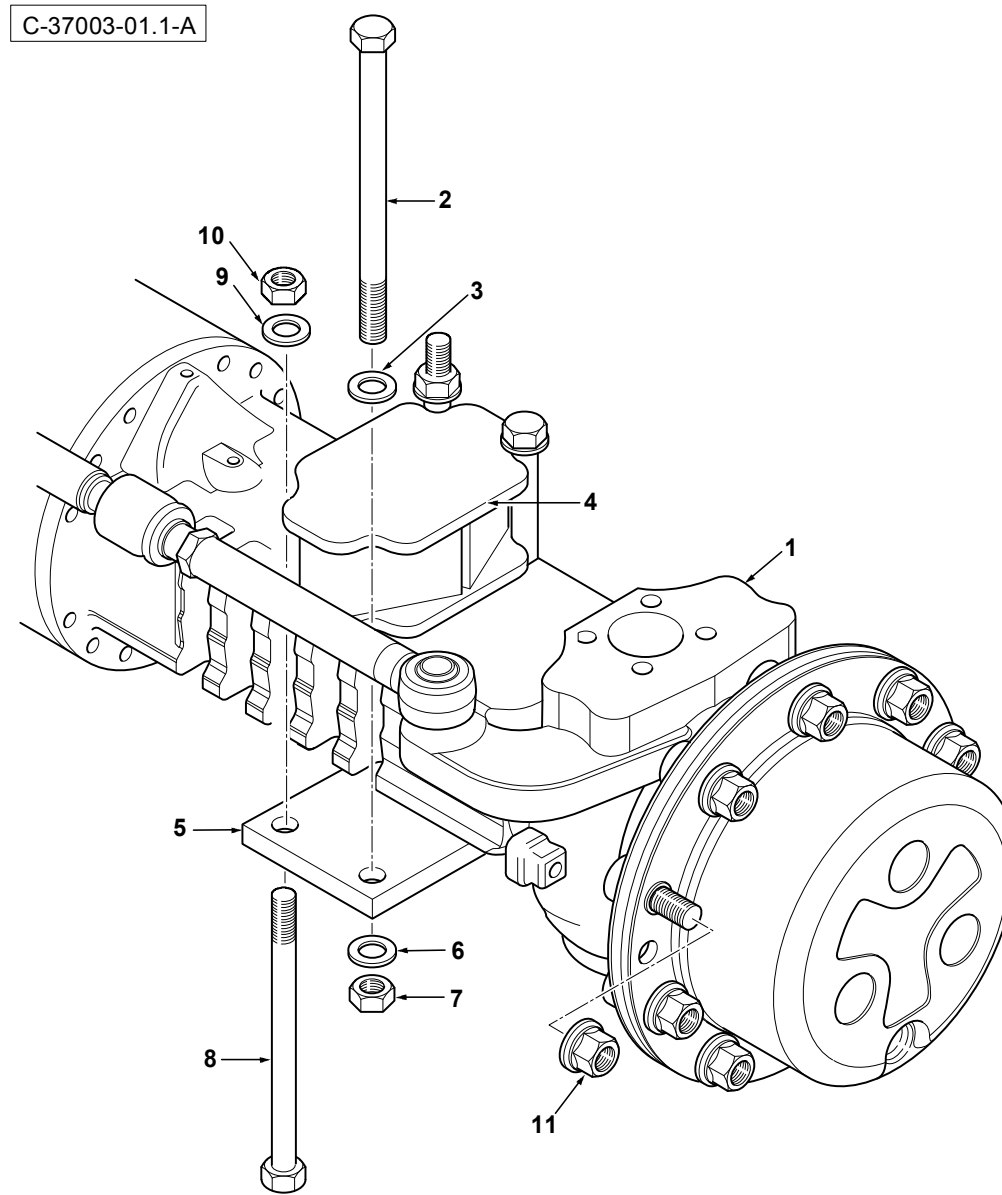
Item	Part No.	Qty.	English	French	German	Spanish	Remarks
1	1440329X1	2	Nut, Hex. - Nyloc, M10	Ecrou Blocage	Flachmutter M10	Tuerca De Retención	
2	3009492X1	2	Bolt - Hex. M10 X 25	Boulon M10 X 25	Schraube M10 X 25	Tornillo	
3	6112707M91	1	Frame W/Assy Apc120	Cadre	Rahmen Kpl	Cjto. Bastidor	
4	6114500M91	1	Apc120 Trans Controller & Remote Display	Controle	Steuerung	Mando	
5	6112572M91	1	Controller Apc 120	Controle	Steuerung	Mando	
6	6112576M91	1	Remote Display For Apc120	Distance D'af•chage	Fernbedienung Anzeige	Visualizacion A Distancia	
7	3009193X1	1	Bolt - Flange HD M8x20	Boulon M8 X 20	Maschschraube M8 X 20	Perno M8 X 20	
8	3009181X1	2	Screw, M6 X 12 - Nla	Vis	Schraube	Screw, M6 X 12 - Nla	
9	3521303M3	4	Fastener, Plastic - Gear Lever Gaiter	Agrafe	Halteklammer	Eganche	
10	6112723M91	1	Support Brace Apc120	Bretelle	Halteband	Riostra	
11	6106390M1	1	Plate-G/Shift Cutout Floor	Cache	Abdeckung	Tapa	
12	6101633M1	1	Seal-Foam-Heater	Joint	Dichtung	Junta	



**Not Serviced**

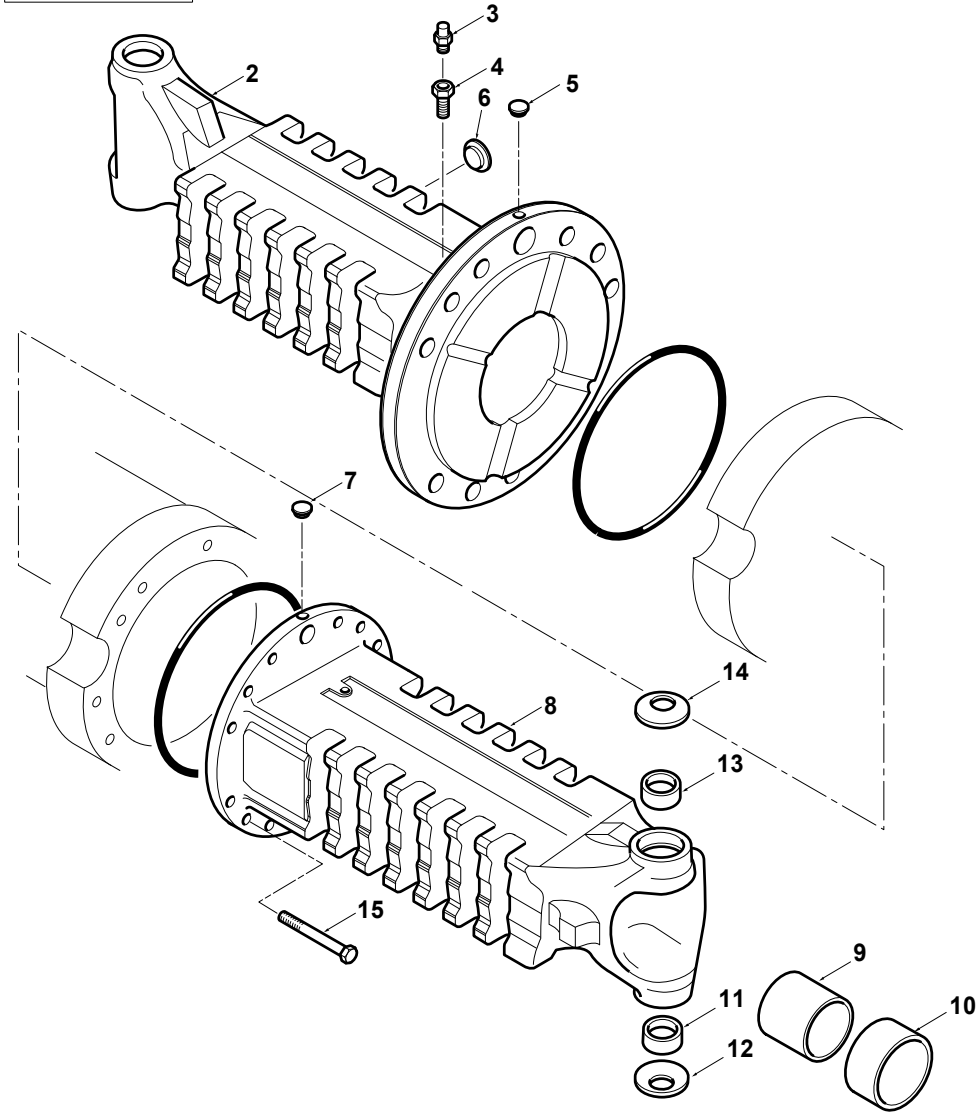
THIS PAGE INTENTIONALLY LEFT BLANK





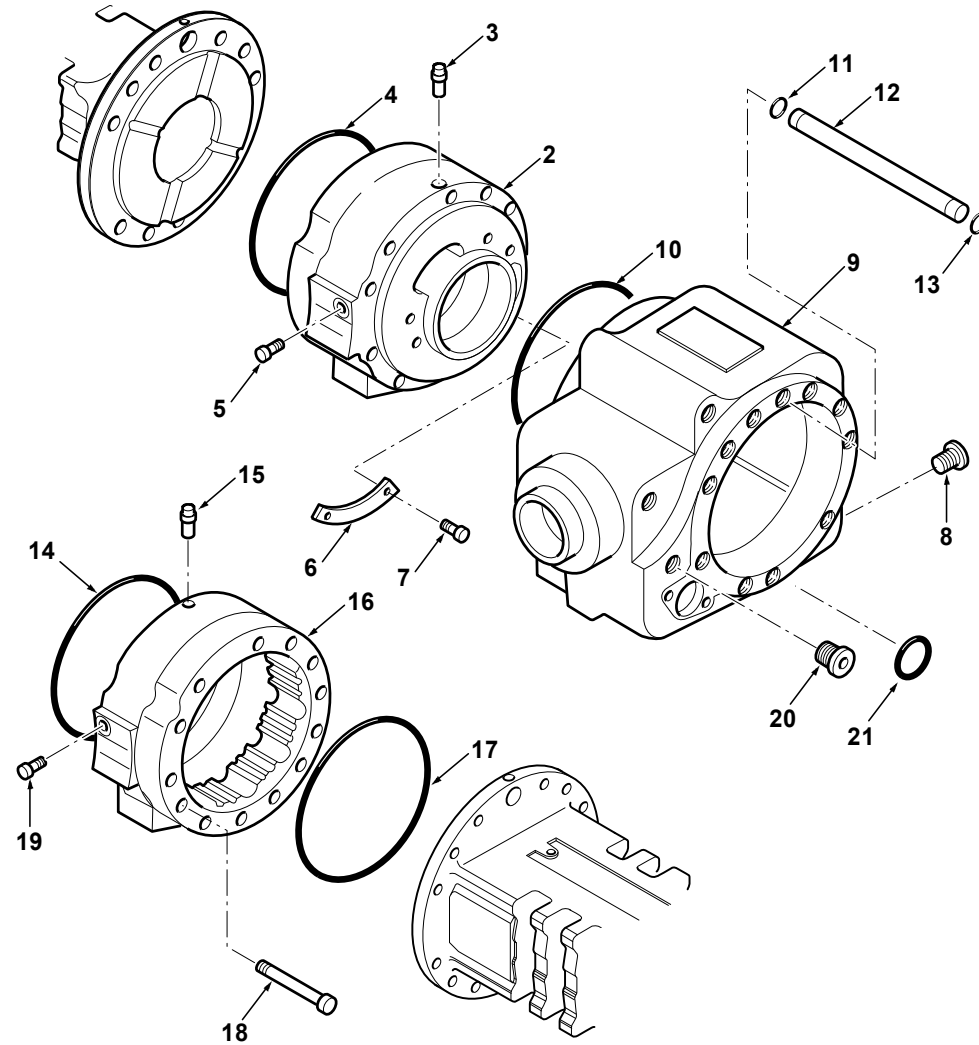
Item	Part No.	Qty.	English	French	German	Spanish	Remarks
1	6109185M91	1	Axle Assy - Rear 4ws Powershift 960	Essieu Arrière	Hinterachse	Puente Trasero, Conj.	
2	6111346M1	4	Bolt - M20 (Mang Phos Coated) Grade 10.9	Boulon - M20 X 350	Maschschraube M20	Perno	
3	385365X1	4	Washer Hardened M20	Rondelle	Scheibe	Arandela	
4	6111308M91	2	Spacer W/A	Entretoise	Abstandstück	Traviesa, Conj.	
5	6106096M1	2	Plate - Clamp	Poids	Gewicht	Peso	
6	385365X1	4	Washer Hardened M20	Rondelle	Scheibe	Arandela	
7	3522225M3	4	Nut M20	Ecrou	Mutter	Tuerca	
8	6111346M1	4	Bolt - M20 (Mang Phos Coated) Grade 10.9	Boulon - M20 X 350	Maschschraube M20	Perno	
9	385365X1	4	Washer Hardened M20	Rondelle	Scheibe	Arandela	
10	3522225M3	4	Nut M20	Ecrou	Mutter	Tuerca	
11	6106829M91	20	Nut Assy., Wheel	Ecrou	Mutter	Tuerca	

C-37003-02.1-A



Item	Part No.	Qty.	English	French	German	Spanish	Remarks
1	6109185M91	1	Axle Assy - Rear 4ws Powershift 960	Essieu Arrière	Hinterachse	Puente Trasero, Conj.	Continued
2	6193671M1	1	Housing, RH - 4 Wh. Steer Rear Axle	Carter	Gehäuse	Cárter De Puente	
3	6193669M1	1	Breather - RH Rear Axle Housing	Reni•ard	Entlüftung	Ventilador Del Cárter	
4	6193338M1	1	Adaptor - Breather Extension	Tuyau	Rohr	Tube	
5	3523998M1	1	Plug M10	Bouchon	Stopfen	Tapón	
6	3523632M1	2	Plug	Bouchon	Stopfen	Tapón	
7	3523998M1	1	Plug M10	Bouchon	Stopfen	Tapón	
8	6194288M1	1	Beam Trumpet LH	Trompette	Achsgehäuse	Cárter De Puente	
9	6190247M1	2	Bush - Axle Housing	Douille	Büchse	Anillo	
10	6193672M1	2	Oil Seal, Dr. Shaft/Housing - Rear Axle	Joint D´Arbre	Wellendichtring	Junta De Anillo	
11	3523581M1	2	Spherical Bush - Lower, Fr. Axle, 4ws	Bague	Büchse	Anillo	
12	3523579M1	2	Washer, Belleville - Lower Swivel Pin	Rondelle	Scheibe	Arandela	
13	6194263M1	2	Bush	Douille	Büchse	Casquillo	
14	3523578M1	2	Washer, Belleville - Swivel Pin	Rondelle	Scheibe	Arandela	
15	6193673M1	22	Bolt, Hex. - M14 X 140, Rear Axle, 4 W/S	Goupille	Bolzen	Perno	

C-37003-03.1-A

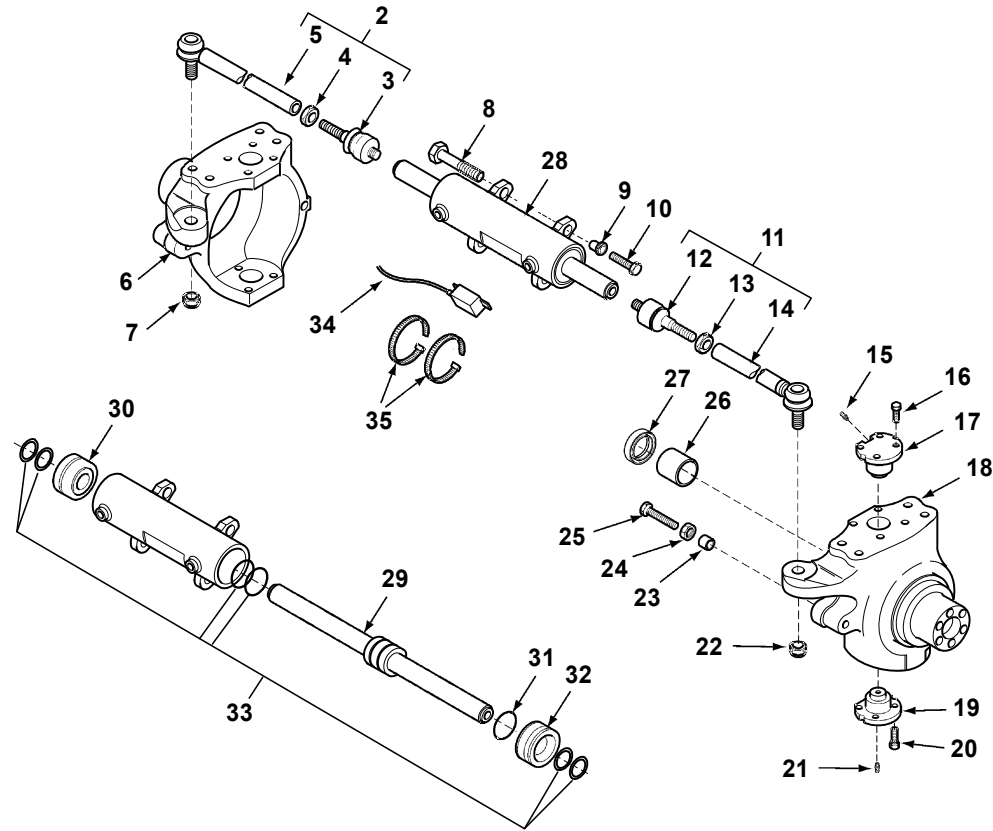




Item	Part No.	Qty.	English	French	German	Spanish	Remarks
1	6109185M91	1	Axle Assy - Rear 4ws Powershift 960	Essieu Arrière	Hinterachse	Puente Trasero, Conj.	Continued
2	6193334M1	1	Housing R/H - Brake Cylinder	Corps De Vérin	Zylindermantel	Pistón De Freno	
3	6193348M1	1	Breather, M10 X 1 - Brake Housing	Reni•ard	Entlüftung	Ventilador Del Cáster	
4	6193333M1	1	O-Ring - Rear Axle Centre Housing	Joint Torique	O-Ring	Junta De Tipo O	
5	6193344M1	1	Plug - Brake Cylinder Housing	Bouchon	Stopfen	Tapón	
6	6193346M1	2	Plate	Plaque	Platte	Placa	
7	6193345M1	4	Rivet - M4.8 X 6	Rivet	Niete	Remache	
8	3523632M1	2	Plug	Bouchon	Stopfen	Tapón	
9	6194289M1	1	Central Body	Ensemble Carter Cent	Mittelgehäuse Kpl	Cáster Central, Conj.	
10	6193333M1	1	O-Ring - Rear Axle Centre Housing	Joint Torique	O-Ring	Junta De Tipo O	
11	3523630M1	1	O Ring	Joint Torique	O Ring	Junta De Tipo O	
12	6193335M1	1	Pipe - Brake Connecting	Tuyau	Rohr	Tubo	
13	3523630M1	1	O Ring	Joint Torique	O Ring	Junta De Tipo O	
14	6193333M1	1	O-Ring - Rear Axle Centre Housing	Joint Torique	O-Ring	Junta De Tipo O	
15	6193348M1	1	Breather, M10 X 1 - Brake Housing	Reni•ard	Entlüftung	Ventilador Del Cáster	
16	6193337M1	1	Housing L/H - Brake Cylinder	Corps De Vérin	Zylindermantel	Pistón De Freno	
17	6193333M1	1	O-Ring - Rear Axle Centre Housing	Joint Torique	O-Ring	Junta De Tipo O	
18	6193343M1	2	Bolt, Hex. - M12 X 130	Goupille	Bolzen	Perno	
19	6193344M1	1	Plug - Brake Cylinder Housing	Bouchon	Stopfen	Tapón	
20	6193674M1	1	Plug - 4 Wheel Steer Rear Axle	Bouchon	Stopfen	Tapón	
21	6193347M1	8	O-Ring	Joint Torique	O-Ring	Junta De Tipo O	



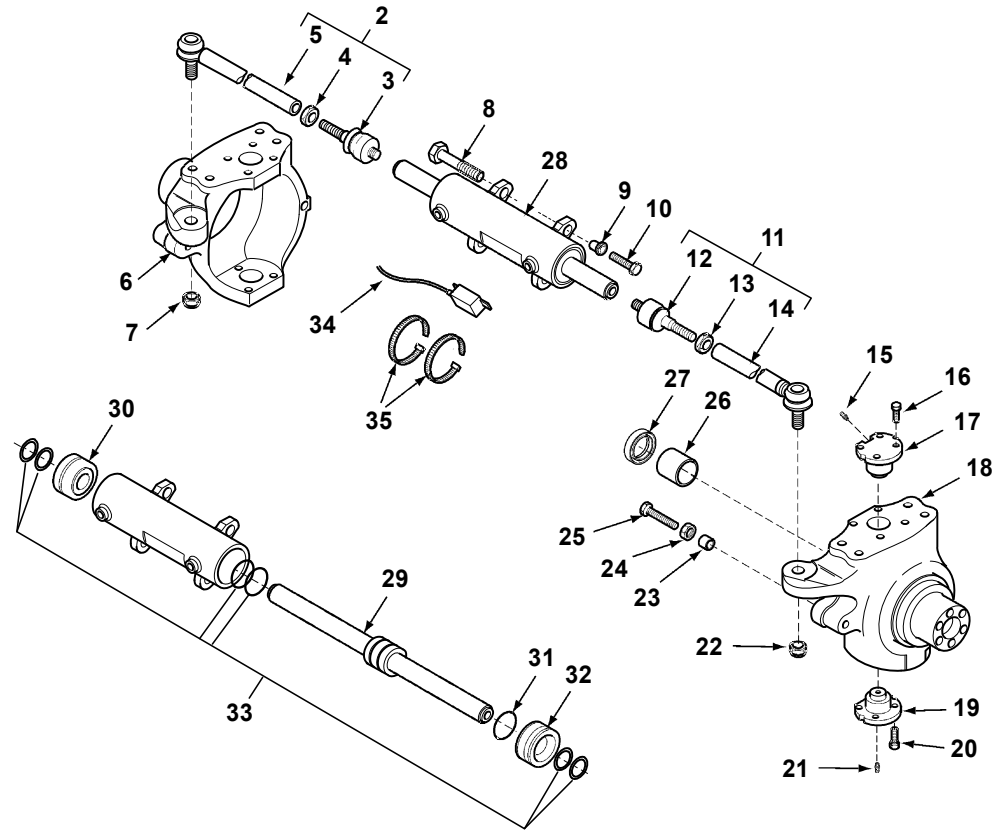
C-37003-04.1-A



Item	Part No.	Qty.	English	French	German	Spanish	Remarks
1	6109185M91	1	Axle Assy - Rear 4ws Powershift 960	Essieu Arrière	Hinterachse	Puente Trasero, Conj.	Continued
2	6194264M91	1	Kit - Steer Arm Assy	Jeu Direction	Lenkung, Satz	Brazo, Conj.	
3	6194265M91	1	Ball Joint	Joint Spherique	Kugelgelenk	Rotula, Conj.	
4	6193677M1	1	Nut, Hex, Jamb - M24 X 1.5, Tr. Rod Lock	Ecrou - M24	Flachmutter	Tuerca	
5	6194266M91	1	Tie Rod	Tringlerie	Zugstange	Barra Dirección, Conj.	
6	6194268M1	1	Swivel Housing LH	Carter - Pivot	Gehäuse, Drehgelenk	Cárter, Junta Giratoria	
7	6194269M1	1	Nut M24 X 1.5	Ecrou M24 X 1.5	Mutter M24 X 1.5	Tuerca	
8	6193681M1	2	Bolt, Hex. - M22 X55, Strg. Cyl. Mtg.	Goupille	Bolzen	Perno	
9	6193682M1	2	Bush, Strg. Cyl. Mounting - Rear Axle	Douille	Büchse	Casquillo	
10	3475604M1	2	Bolt - M14 X 65	Boulon - M14 X 65	Schraube	Tornillo	
11	6194264M91	1	Kit - Steer Arm Assy	Jeu Direction	Lenkung, Satz	Brazo, Conj.	
12	6194265M91	1	Ball Joint	Joint Spherique	Kugelgelenk	Rotula, Conj.	
13	6193677M1	1	Nut, Hex, Jamb - M24 X 1.5, Tr. Rod Lock	Ecrou - M24	Flachmutter	Tuerca	
14	6194266M91	1	Tie Rod	Tringlerie	Zugstange	Barra Dirección, Conj.	
15	6190567M1	2	Grease Nipple	Graisseur Coude	Schmiernippel	Engrasador	
16	3523597M1	8	Bolt, Hex, M16 X 38 - Swivel Pins	Goupille	Bolzen	Tornillo	
17	6194275M1	2	King Pin	Axe De Pivotement	Achsschenkelbolzen	Pasador Principal	
18	6194274M1	1	Swivel Housing RH	Carter, Pivot	Gehäuse, Drehgelenk	Cárter, Junta Giratoria	
19	6193283M1	2	Swivel Pin, Lower - W/Greaser, Fr/Rr	Axe De Pivotement	Achsschenkelbolzen	Pasador Principal	
20	3523597M1	8	Bolt, Hex, M16 X 38 - Swivel Pins	Goupille	Bolzen	Tornillo	
21	6190567M1	2	Grease Nipple	Graisseur Coude	Schmiernippel	Engrasador	
22	6194269M1	1	Nut M24 X 1.5	Ecrou M24 X 1.5	Mutter M24 X 1.5	Tuerca	
23	6194291M1	4	Bush	Douille	Büchse	Casquillo	
24	6194272M1	4	Nut M16	Ecrou - M16	Mutter - M16	Tuerca	
25	6194020M1	4	Bolt M16 X 100	Boulon - M16 X 100	Maschschraube - M16	Perno	
26	6190264M1	2	Bush - Swivel Housing	Douille	Büchse	Anillo	
27	6193448M1	2	Oil Seal - Front Swivel Housing	Joint D´Arbre	Wellendichtring	Junta	
28	6194290M91	1	Steering Cylinder	Verin Direction	Lenkzylinder	Gato De Dirección	17002c02.1 29
29	6193683M91	1	Piston Rod - Rear, 4wh. Strg. Cylinder	Bielle De Piston	Pleuelstange	Tirantes, Conj.	
30	6193684M1	1	Head, Strg. Cylinder - Rr. 4w./Str. Axle	Culasse	Kopf, Zylinder	Culata	



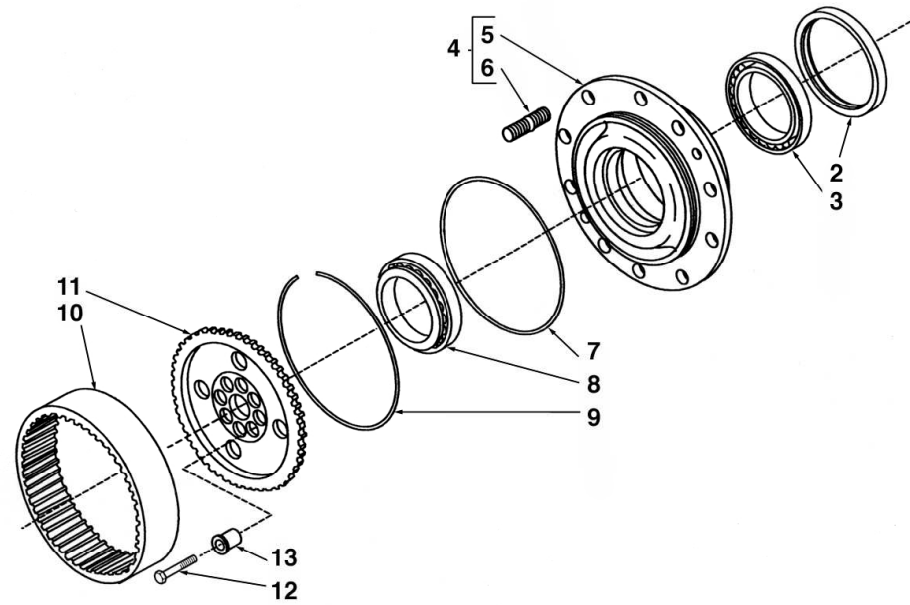
C-37003-04.1-A



Item	Part No.	Qty.	English	French	German	Spanish	Remarks
31	6194277M1	1	Magnetic Ring	Anneau Aimant	Spezialring	Junquillo	
32	6193684M1	1	Head, Strg. Cylinder - Rr. 4w./Str. Axle	Culasse	Kopf, Zylinder	Culata	
33	6193685M91	1	Kit, Seal - Rear Steering Cylinder	Jeu Étanchéité	Dichtringsatz	Juego De Juntas	
34	6194276M91	1	Sensor	Detecteur	Sensor	Captador	
35	6194287M1	2	Clamp	Collier	Halteschelle	Argolla De Cierre	

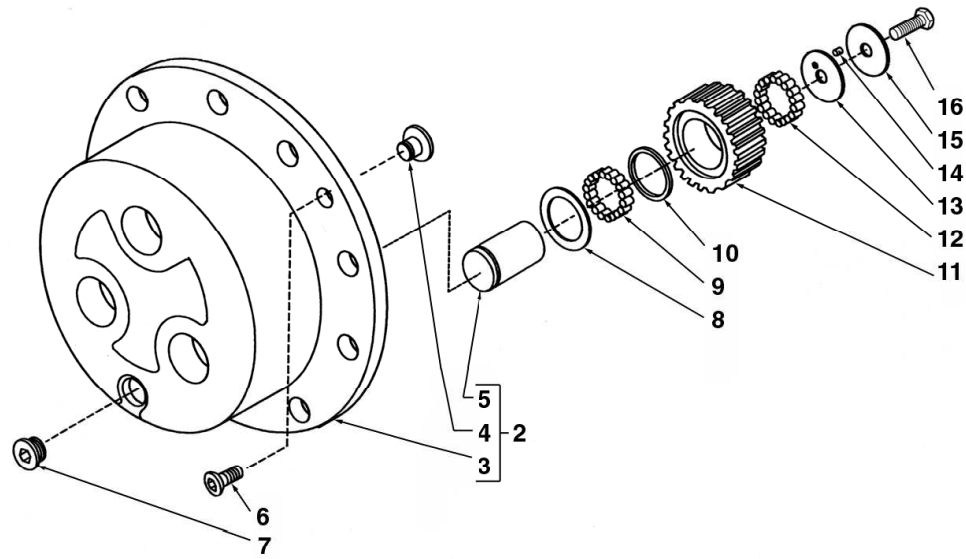


C-37003-05.1-A



Item	Part No.	Qty.	English	French	German	Spanish	Remarks
1	6109185M91	1	Axle Assy - Rear 4ws Powershift 960	Essieu Arrière	Hinterachse	Puente Trasero, Conj.	Continued
2	6193704M1	2	Oil Seal - Hub	Joint D'Arbre	Wellendichtring	Junta De Anillo	
3	3475599M1	2	Bearing, Roller	Roulement, Rouleau	Rollenlager	Cojinete De Bolas	
4	6194284M91	1	Kit - Wheel Hub	Moyen Rue, Montage	Radnabe, Kpl	Cubo De Rueda, Conj.	
5	#HUB	1	Hub	Hub	Hub	Hub	Ref. 4
6	6190302M1	10	Stud	Goujon	Stehbolzen	Espárrago	
7	6193409M1	2	O-Ring - Rear Hub	Joint Torique	O-Ring	Junta De Tipo O	
8	3475599M1	2	Bearing, Roller	Roulement, Rouleau	Rollenlager	Cojinete De Bolas	
9	6190290M1	2	Retaining Ring - Brake Plates	Anneau De Retenue	Befestigungsring	Anillo De Retención	
10	6193410M1	2	Gear, Annular - 77 Internal Teeth	Pignon	Zahnrad	Piñón	
11	6193411M1	2	Gear - Rear Epicyclic	Support	Träger	Portador	
12	3475604M1	16	Bolt - M14 X 65	Boulon - M14 X 65	Schraube	Tornillo	
13	3523272M1	16	Bush - Epicyclic, 20mm Diam.	Douille	Buechse	Anillo	

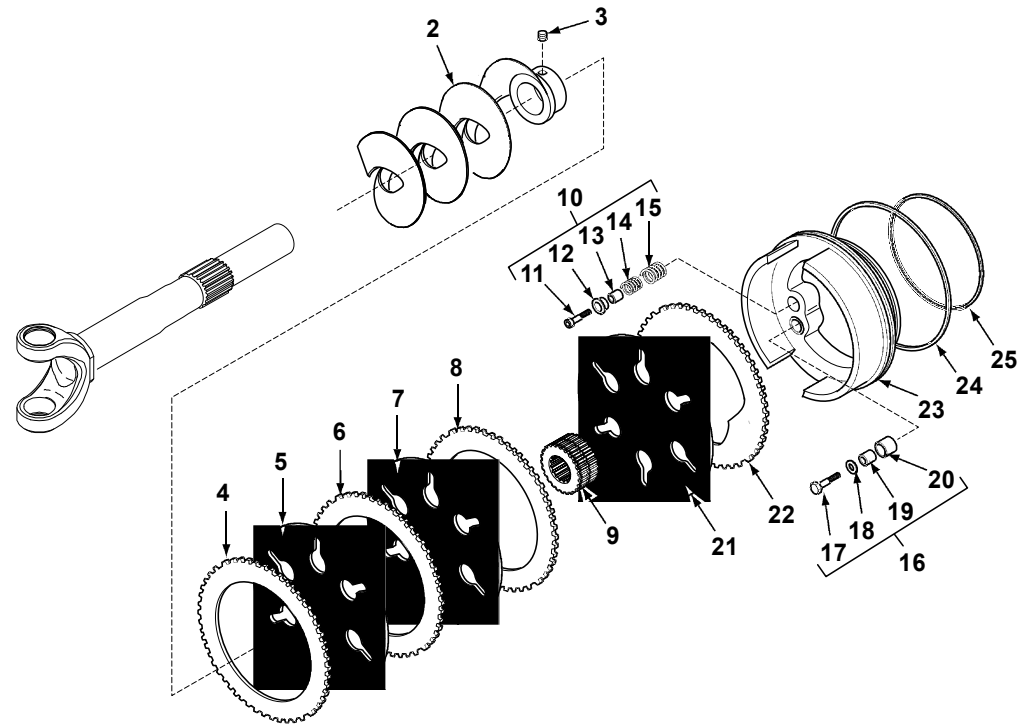
C-37003-06.1-A





Item	Part No.	Qty.	English	French	German	Spanish	Remarks
1	6109185M91	1	Axle Assy - Rear 4ws Powershift 960	Essieu Arrière	Hinterachse	Puente Trasero, Conj.	Continued
2	6193412M91	2	Cover & Planetary Carrier - Epicyclic	Support	Träger	Portador	
3	#CARRIER	1	Carrier	Carrier	Carrier	Carrier	Ref. 2
4	#PAD	1	Pad	Pad	Pad	Pad	Ref. 2
5	#SHAFT	3	Shaft	Shaft	Shaft	Shaft	Ref. 2
6	6190282M1	4	Screw, C/Sunk - M8 X 20	Vis	Schraube	Tornillo	
7	3523632M1	2	Plug	Bouchon	Stopfen	Tapón	
8	6193415M1	6	Washer, Thrust	Rondelle De Butée	Druckscheibe	Arandela De Tope	
9	6193414M1	186	Roller , Needle (Pack Of 10)	Aiguille	Nadel	Aguja	
10	6193413M1	6	Washer - Epicyclic	Rondelle	Scheibe	Arandela	
11	6193419M1	6	Gear, 31t - Epicyclic	Pignon	Zahnrad	Piñón	
12	6193414M1	186	Roller , Needle (Pack Of 10)	Aiguille	Nadel	Aguja	
13	6193418M1	6	Washer, Thrust	Rondelle De Butée	Druckscheibe	Arandela De Tope	
14	6193417M1	6	Roller, Needle	Aiguille	Nadel	Aguja	
15	6193416M1	6	Washer, Thrust	Rondelle De Butée	Druckscheibe	Arandela De Tope	
16	6190283M1	6	Bolt, Hex. - M10 X 50	Vis	Schraube	Tornillo	

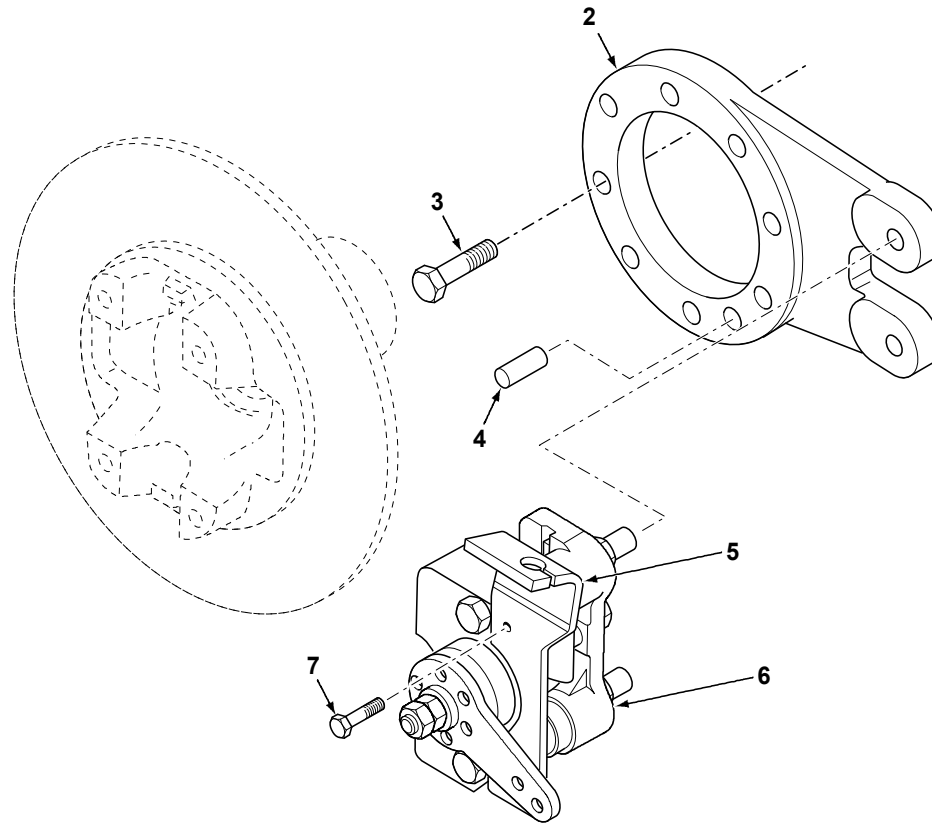
C-37003-07.1-A



Item	Part No.	Qty.	English	French	German	Spanish	Remarks
1	6109185M91	1	Axle Assy - Rear 4ws Powershift 960	Essieu Arrière	Hinterachse	Puente Trasero, Conj.	Continued
2	6193702M1	1	Auger, RH - Rear Axle Oil Flow	Tige Carrée D'Entraîn.	Erdbohrer	Taladro	
2	6193703M1	1	Auger, LH - Rear Axle Oil Flow	Tige Carrée D'Entraîn.	Erdbohrer	Taladro	
3	6193701M1	2	Grub Screw - Oil Flow Augers	Vis Sans Tête	Gewindestift	Tornillo	
4	6193397M1	2	Plate , Toothed Drive - Brake	Plaque	Platte	Placa	
5	6193395M1	2	Brake Disc - Lined	Disque De Frein	Bremsscheibe	Placa	
6	6193397M1	2	Plate , Toothed Drive - Brake	Plaque	Platte	Placa	
7	6193395M1	2	Brake Disc - Lined	Disque De Frein	Bremsscheibe	Placa	
8	6193397M1	2	Plate , Toothed Drive - Brake	Plaque	Platte	Placa	
9	6193700M1	2	Annular Gear - Rear Brakes	Moyeu	Nabe	Cubo	
10	6193400M91	2	Kit, Self-Adjust - Brake	Jeu, Organe Régl. Auto.	Nachstellsatz	Juego De Autoajuste	
11	#BOLT	3	Bolt	Boulon	Schraubbolzen	Perno	Ref. 10
12	#COVER	3	Cover	Cover	Cover	Cover	Ref. 10
13	#BUSHING	3	Bushing	Douille	Busche	Boccola	Ref. 10
14	#SPRING	3	Spring	Ressort	Feder	Muelle	Ref. 10
15	#SPRING	3	Spring	Ressort	Feder	Muelle	Ref. 10
16	6193394M91	2	Kit - Brake Self-Adjust	Jeu, Organe Régl. Auto.	Nachstellsatz	Juego De Autoajuste	
17	#BOLT	3	Bolt	Boulon	Schraubbolzen	Perno	Ref. 16
18	#WASHER	3	Washer	Rondelle	Unterlegscheibe	Arandela	Ref. 16
19	#BUSHING	3	Bushing	Douille	Busche	Boccola	Ref. 16
20	#PIN	3	Pin	Goupille	Bolzen	Pasador	Ref. 16
21	6193395M1	2	Brake Disc - Lined	Disque De Frein	Bremsscheibe	Placa	
22	6193399M1	2	Plate, Toothed Drive - Brake	Plaque	Platte	Placa	
23	6193401M1	2	Piston - Brake	Piston	Kolben	Pistón	
24	6193402M1	2	O-Ring, "Quadring" - Brakes	Quadring	O-Ring	Quadring	
25	6193403M1	2	O-Ring, "Quadring" - Brakes	Quadring	O-Ring	Quadring	



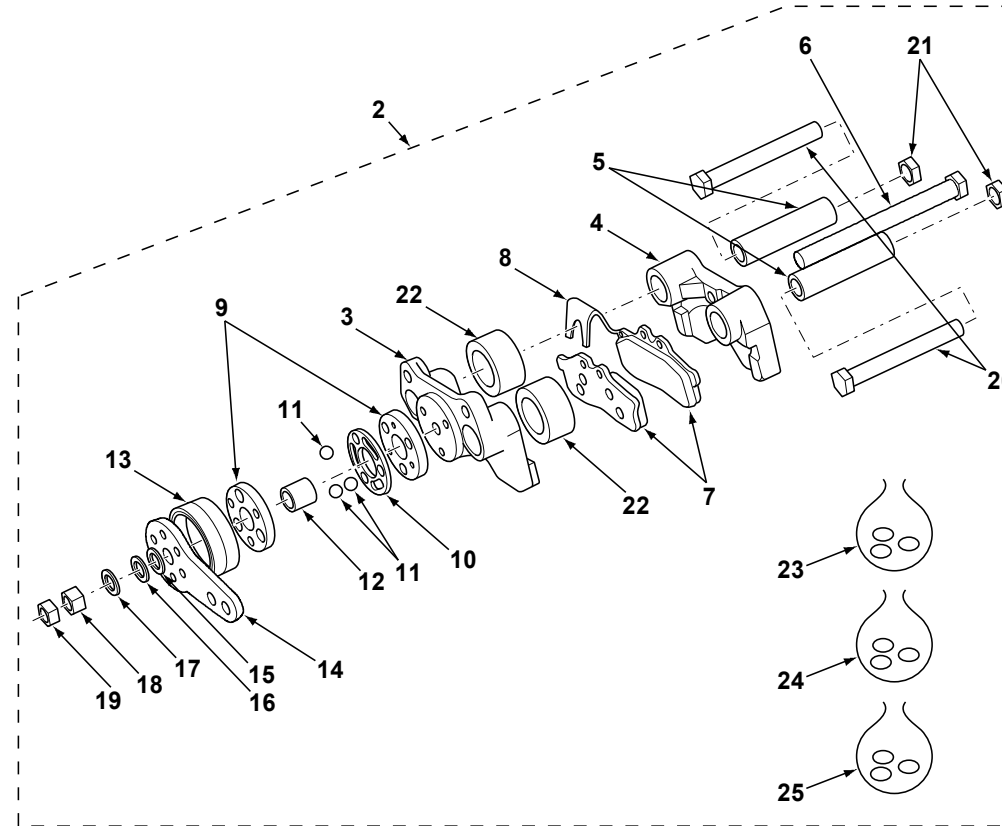
C-37003-08.1-A



Item	Part No.	Qty.	English	French	German	Spanish	Remarks
1	6109185M91	1	Axle Assy - Rear 4ws Powershift 960	Essieu Arrière	Hinterachse	Puente Trasero, Conj.	Continued
2	6193424M1	1	Bracket, Mounting - Handbrake Caliper	Patte Fixation	Halter	Brida De Unión	
3	6193425M1	8	Bolt, Hex. - M12 X 35	Boulon	Bolzen	Perno	
4	6193426M1	1	Pin, Dowel - 12 X 25mm	Axe	Bolzen	Pasador	
5	6193427M1	1	Bracket - Handbrake Cable	Patte Fixation	Halter	Pata De Fijación	
6	6194294M91	1	Kit - Brake Caliper	Machoire, Frein	Bremszange	Calibrador De Freno	37003c09.1 2
7	6194298M1	2	Bolt	Boulon	Maschschraube	Perno	



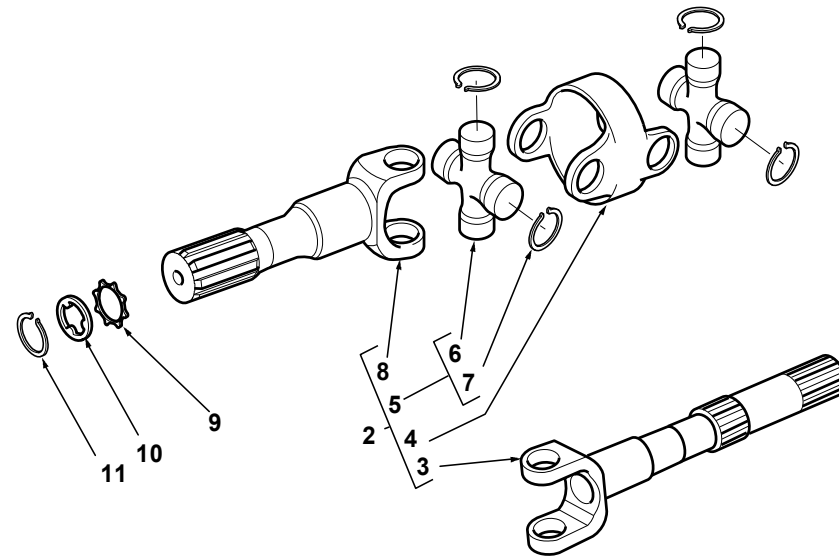
C-37003-09.1-A



Item	Part No.	Qty.	English	French	German	Spanish	Remarks
1	6109185M91	1	Axle Assy - Rear 4ws Powershift 960	Essieu Arrière	Hinterachse	Puente Trasero, Conj.	Continued
2	6194294M91	1	Kit - Brake Caliper	Machoire, Frein	Bremszange	Calibrador De Freno	37003c08.1 6
3	#PLATE	1	Plate	Plaque	Platte	Plato	Ref. 2
4	#PLATE	1	Plate	Plaque	Platte	Plato	Ref. 2
5	#SLEEVE	2	Sleeve	Manchon	Hülse	Mancha	
6	#BOLT	1	Bolt	Boulon	Schraubbolzen	Perno	
7	#LINING, BRAKE	2	Lining, Brake	Lining, Brake	Lining, Brake	Lining, Brake	
8	#SPRING	1	Spring	Ressort	Feder	Muelle	
9	#CAM	2	Cam	Cam	Cam	Cam	
10	#RING	1	Ring	Anneau	Ring	Aro	
11	#BEARING, BALL	3	Bearing, Ball	Bearing, Ball	Bearing, Ball	Bearing, Ball	
12	#SEAL	1	Seal	Joint Étanchéité	Dichtring	Retén	
13	#BOOT	1	Boot	Boot	Boot	Boot	
14	#LEVER	1	Lever	Lever	Lever	Lever	
15	#WASHER	1	Washer	Rondelle	Unterlegscheibe	Arandela	
16	#WASHER	1	Washer	Rondelle	Unterlegscheibe	Arandela	
17	#WASHER	1	Washer	Rondelle	Unterlegscheibe	Arandela	
18	#NUT	1	Nut	Ecrou	Mutter	Tuerca	
19	#NUT	1	Nut	Ecrou	Mutter	Tuerca	
20	#BOLT	2	Bolt	Boulon	Schraubbolzen	Perno	
21	#NUT	2	Nut	Ecrou	Mutter	Tuerca	
22	#SLEEVE	2	Sleeve	Manchon	Hülse	Mancha	
23	6194295M91	0	Kit - Brake Repair	Kit D'entretien	Wartungssatz	Juego De Servicio	
24	6194296M91	0	Kit - Cam Repair	Kit D'entretien	Wartungssatz	Juego De Servicio	
25	6194297M91	0	Kit - Pad	Jeu Plaque	Unterlagensatz	Juego De Servicio	



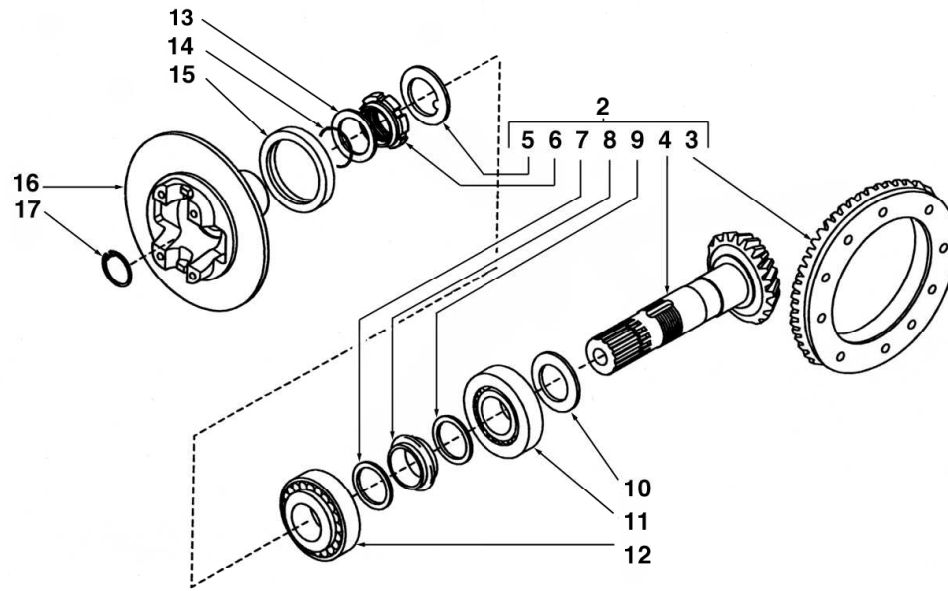
C-37003-10.1-A





Item	Part No.	Qty.	English	French	German	Spanish	Remarks
1	6109185M91	1	Axle Assy - Rear 4ws Powershift 960	Essieu Arrière	Hinterachse	Puente Trasero, Conj.	Continued
2	6193693M91	2	Drive Shaft Assy., LH & RH - Rear	Joint, Double	Doppelgelenk	Articulación Doble	
3	6193694M1	2	Half Shaft, Diff. Side - Rear Axle	Arbre De Pont	Achswelle	Árbol	
4	6193695M1	2	Central Body - Rear Universal Joint	Chape De Cardan	Kreuzgelenkgabel	Yugo De Cardán	
5	6193696M1	4	Cross, Universal Joint - Rr. Dr. Shaft	Ensemble Croisillon	Kreuzstück Kpl.	Cruceta, Conj.	
6	#SPIDER	4	Spider	Spider	Spider	Spider	Ref. 5
7	6193697M1	16	Circlip - Rear Univ. Joints	Segment D'Arrêt	Sicherungsring	Aro	
8	6193698M1	2	Half Shaft, Wheel Side - Rear Axle	Arbre De Pont	Achswelle	Árbol	
9	6194283M1	2	Thrust Washer	Rondelle Butee	Anlaufscheibe	Arandela De Tope	
10	6193438M1	1	Washer	Rondelle	Scheibe	Arandela	
11	6193699M1	1	Circlip - Rear Drive Shaft	Segment D'Arrêt	Sicherungsring	Anillo De Resorte	

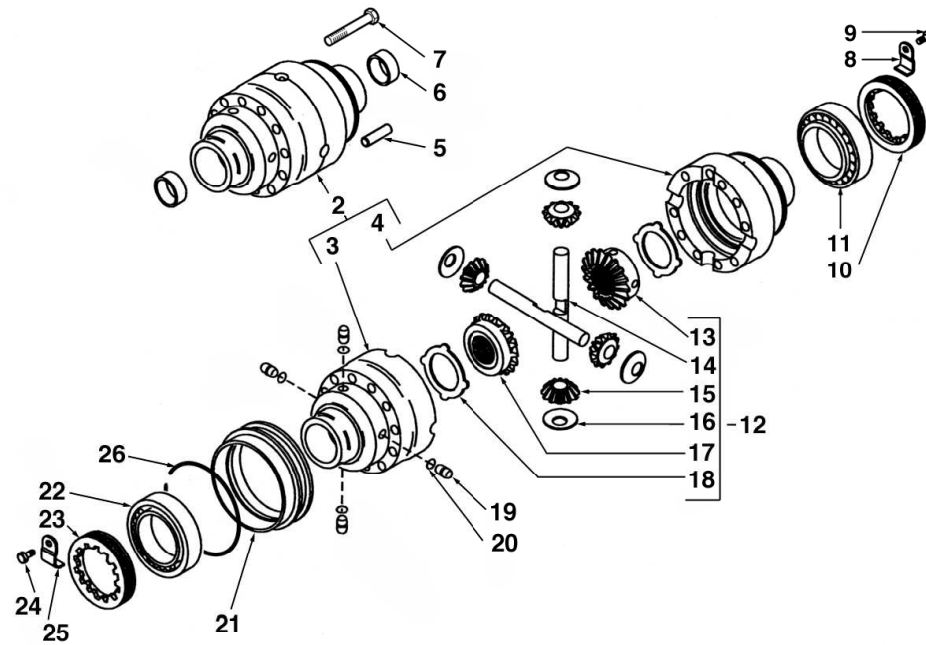
C-37003-11.1-A



Item	Part No.	Qty.	English	French	German	Spanish	Remarks
1	6109185M91	1	Axle Assy - Rear 4ws Powershift 960	Essieu Arrière	Hinterachse	Puente Trasero, Conj.	Continued
2	6194292M91	1	Kit - Bevel Gear / Pinnion	Jeu Engrenages	Zahnradatz	Par Cónico	
3	#CROWNWHEEL	1	Crownwheel	Crownwheel	Crownwheel	Crownwheel	Ref. 2
4	#PINION	1	Pinion	Pinion	Pinion	Pinion	Ref. 2
5	3475569M1	1	Tab Washer - Locking	Rondelle Frein	Federring	Arandela De Freno	
6	3475570M1	1	Ring Nut - M40	Ecrou - M40	Mutter - M40	Tuerca	
7	3523082M1	1	Washer - Pinion Shaft	Rondelle	Unterlegscheibe	Arandela	
8	6193350M1	1	Spacer, Collapsible - Pinion Adj.	Entretoise	Distanzstück	Traviesa	
9	3523082M1	1	Washer - Pinion Shaft	Rondelle	Unterlegscheibe	Arandela	
10	6193353M1	0	Shim, 2.7mm - Pinion	Cale	Ausgleichsscheibe	Calce	
10	6193360M1	0	Shim, 3.4mm - Pinion	Cale	Ausgleichsscheibe	Calce	
10	6193359M1	0	Shim, 3.3mm - Pinion	Cale	Ausgleichsscheibe	Calce	
10	6193358M1	0	Shim, 3.2mm - Pinion	Cale	Ausgleichsscheibe	Calce	
10	6193357M1	0	Shim, 3.1mm - Pinion	Cale	Ausgleichsscheibe	Calce	
10	6193356M1	0	Shim, 3.0mm - Pinion	Cale	Ausgleichsscheibe	Calce	
10	6193355M1	0	Shim, 2.9mm - Pinion	Cale	Ausgleichsscheibe	Calce	
10	6193354M1	0	Shim, 2.8mm - Pinion	Cale	Ausgleichsscheibe	Calce	
10	6193351M1	0	Shim, 2.5mm - Pinion	Cale	Ausgleichsscheibe	Calce	
10	6193352M1	0	Shim, 2.6mm - Pinion	Cale	Ausgleichsscheibe	Calce	
11	6193361M1	1	Bearing, Ball - Pinion	Roulement A Billes	Kugellager	Cojinete	
12	3475567M1	1	Bearing, Taper Roller - Pinion	Roul Conique	Kegellager	Cojinete De Bolas	
13	6193365M1	1	Washer - Pinion Shaft	Rondelle	Scheibe	Arandela	
14	6193364M1	1	O-Ring, Pinion Shaft	Joint Torique	O-Ring	Junta De Tipo O	
15	6193363M1	1	Seal - Handbrake Disc	Joint, Anneau	Dichtungsring	Junta De Anillo	
16	6193362M1	1	Disc & Flange Assy. - Handbrake	Disque De Frein	Bremsscheibe	Disco De Freno	
17	3523098M1	1	Circlip - External, 34mm	Circlip Exterieur	Sicherungsring	Anillo De Resorte	



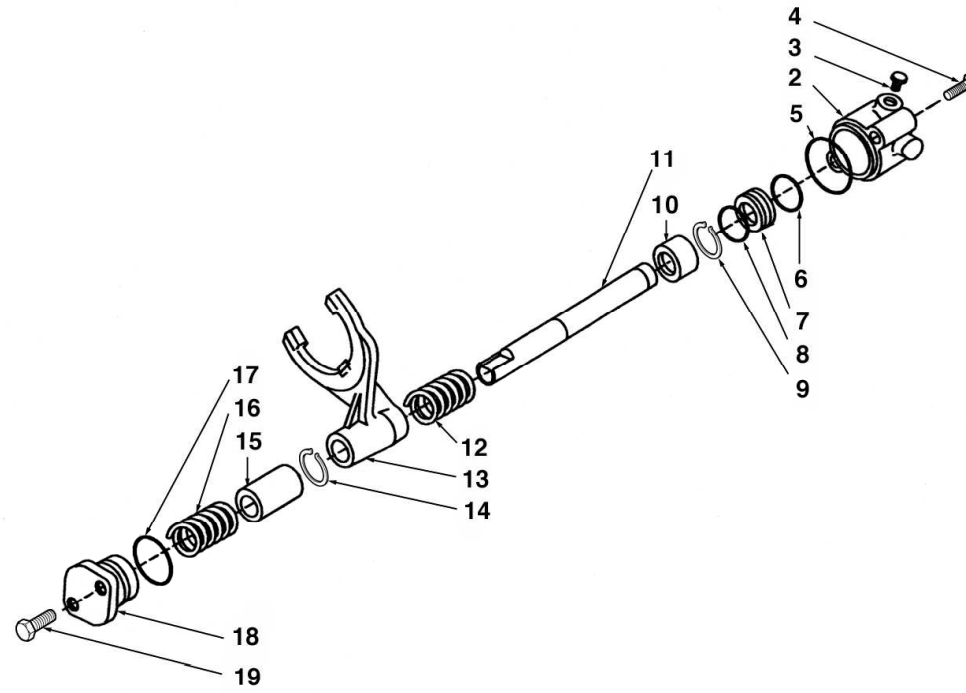
C-37003-12.1-A



Item	Part No.	Qty.	English	French	German	Spanish	Remarks
1	6109185M91	1	Axle Assy - Rear 4ws Powershift 960	Essieu Arrière	Hinterachse	Puente Trasero, Conj.	Continued
2	6193378M1	1	Housing - Differential	Carter Diff.	Diffgehäuse	Cárter	
3	#HOUSING	1	Housing	Carter	Gehäuse	Alojamiento	Ref. 2
4	#HOUSING	1	Housing	Carter	Gehäuse	Alojamiento	Ref. 2
5	6193377M1	2	Pin, Differential - M12 X 40	Axe	Bolzen	Pasador	
6	6193376M1	2	Bush - Differential	Douille	Büchse	Anillo	
7	6193379M1	10	Bolt - M12 X 90	Goupille	Bolzen	Perno	
8	6193373M1	1	Plate, Locking - Differential	Plaque D¿Arrêt	Sicherungsblech	Placa De Bloqueo	
9	3523583M1	1	Bolt M6 X 10	Boulon M6 X 10	Maschschraube M6	Tornillo	
10	6193374M1	1	Nut, Special Ring - 104mm	Ecrou Spécial	Spezialmutter	Tuerca	
11	6193375M1	1	Bearing - Diff. Housing	Roulement	Lager	Cojinete	
12	6193366M91	1	Kit, Diff. Gears And Shafts	Jeu Différentiel	Satzdifferential	Juego, Diferencial	
13	#GEAR	1	Gear	Gear	Gear	Gear	Ref. 12
14	6193367M1	2	Shaft, Diff. Gears	Arbre	Welle	Árbol	
15	#GEAR	4	Gear	Gear	Gear	Gear	Ref. 12
16	6193368M1	4	Washer, Thrust - Diff. Gears	Rondelle De Butée	Druckscheibe	Arandela De Tope	
17	#GEAR	1	Gear	Gear	Gear	Gear	Ref. 12
18	6193369M1	2	Plate, Drive - Differential	Plaque	Platte	Placa	
19	6193370M1	4	Pin - Diff. Housing	Axe	Bolzen	Pasador	
20	6193371M1	4	O-Ring - Diff. Hsg. Pin	Joint Torique	O-Ring	Junta De Tipo O	
21	6193372M1	1	Sleeve - Diff. Housing	Chemise	Büchse	Camisa	
22	6193375M1	1	Bearing - Diff. Housing	Roulement	Lager	Cojinete	
23	6193374M1	1	Nut, Special Ring - 104mm	Ecrou Spécial	Spezialmutter	Tuerca	
24	3523583M1	1	Bolt M6 X 10	Boulon M6 X 10	Maschschraube M6	Tornillo	
25	6193373M1	1	Plate, Locking - Differential	Plaque D¿Arrêt	Sicherungsblech	Placa De Bloqueo	
26	6194293M1	1	Lock Ring	Anneau	Ring	Aro	



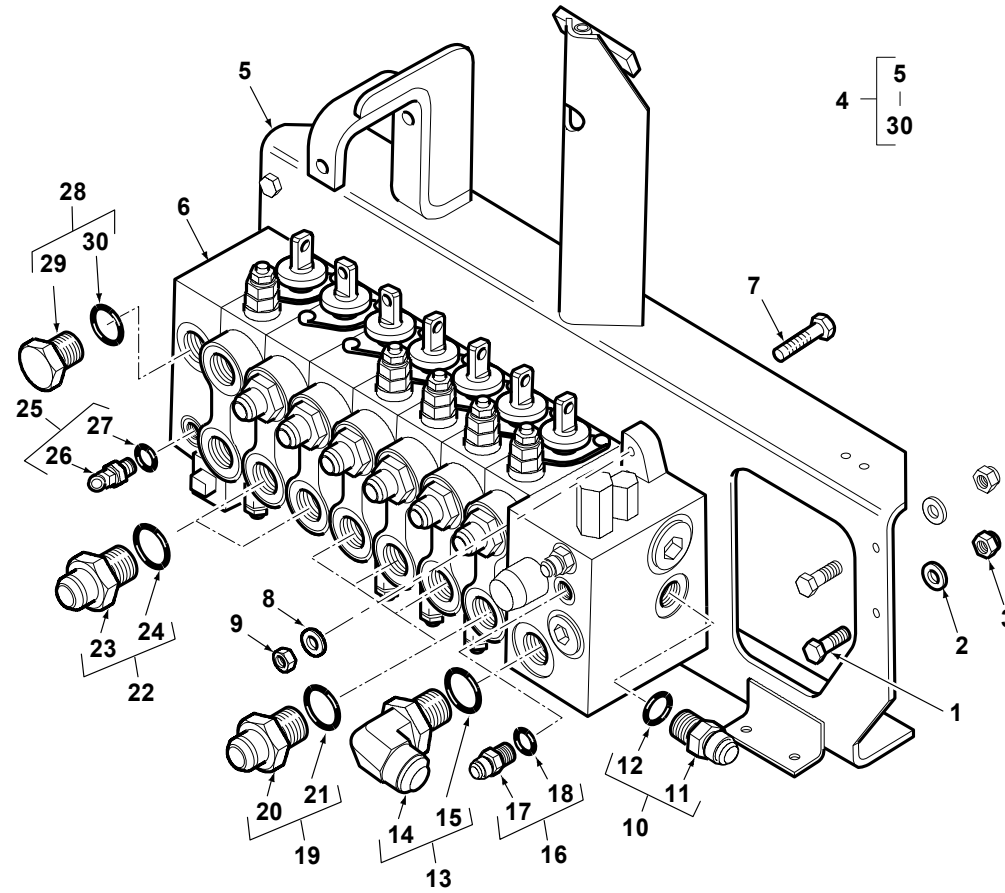
C-37003-13.1-A



Item	Part No.	Qty.	English	French	German	Spanish	Remarks
1	6109185M91	1	Axle Assy - Rear 4ws Powershift 960	Essieu Arrière	Hinterachse	Puente Trasero, Conj.	Continued
2	6193691M1	1	Support Assy. - Diff. Lock, Rear Axle	Support	Haltevorrichtung	Soporte	
3	6193381M1	1	Plug - Diff. Lock	Bouchon	Stopfen	Tapón	
4	6193380M1	2	Bolt - M8 X 80	Goupille	Bolzen	Perno	
5	6193383M1	1	O-Ring - Diff. Lock	Joint Torique	O-Ring	Junta De Tipo O	
6	6193384M1	1	O-Ring - Diff. Lock	Joint Torique	O-Ring	Junta De Tipo O	
7	6193385M1	1	Piston - Diff. Lock	Piston	Kolben	Pistón	
8	6193384M1	1	O-Ring - Diff. Lock	Joint Torique	O-Ring	Junta De Tipo O	
9	6193386M1	1	Circlip - Diff. Lock	Segment D ' Arrêt	Sicherungsring	Anillo De Resorte	
10	6193388M1	1	Bush - Diff Lock	Douille	Büchse	Anillo	
11	6193387M1	1	Shaft - Diff. Lock	Arbre	Welle	Árbol	
12	6193389M1	1	Spring - Diff. Lock	Siège De Ressort	Federsitz	Muelle	
13	6193390M1	1	Fork - Diff. Lock	Fourche	Gabel	Bielda	
14	6193386M1	1	Circlip - Diff. Lock	Segment D ' Arrêt	Sicherungsring	Anillo De Resorte	
15	6193391M1	1	Spacer - Diff. Lock	Entretoise	Distanzstück	Traviesa	
16	6193389M1	1	Spring - Diff. Lock	Siège De Ressort	Federsitz	Muelle	
17	6190278M1	1	O Ring - Diff. Lock	Joint Torique	O Ring	Junta De Tipo O	
18	6193392M1	1	Cover - Diff. Lock	Cache	Abdeckung	Tapa	
19	6193393M1	2	Bolt, M8 X 30	Goupille	Bolzen	Perno	



C-38001-01.1-A

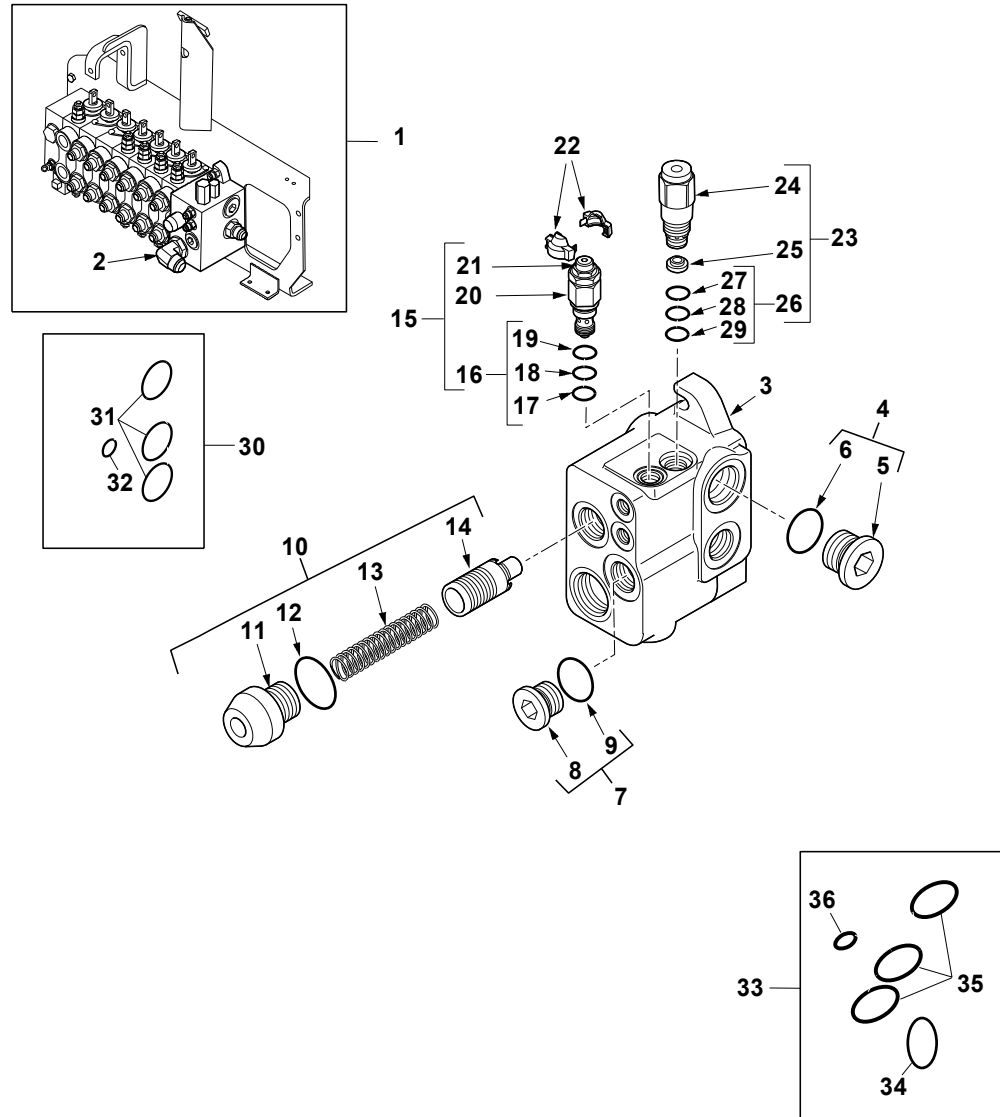




Item	Part No.	Qty.	English	French	German	Spanish	Remarks
1	3009493X1	4	Bolt M10-30 Z5c	Boulon M10 X 30	Maschschraube M10	Perno	
2	385362X1	4	Washer, Hardened - M10	Rondelle - M10	Unterlegscheibe M10	Arandela	
3	1440329X1	4	Nut, Hex. - Nyloc, M10	Ecrou Blocage	Flachmutter M10	Tuerca De Retención	
4	6109327M91	1	Valve Assy - Digger Sideshift Rexroth	Ensemble Distribution	Steuerventilblock Kpl.	Distribuidor, Conj.	
5	6109344M93	1	Bracket- Digger Valve W/Assy	Ensemble Chaise Pali	Bremsanlage	Cuchara, Conj.	
6	6109206M91	1	Valve-7sp Mech. Ss 08/401/331	Ensemble Distribution	Steuerventilblock Kpl.	Distribuidor, Conj.	
7	3009496X1	3	Bolt Hex - M10 X 45 (Coarse)	Boulon M10 X 45	Maschschraube - M10	Tornillo	
8	385362X1	3	Washer, Hardened - M10	Rondelle - M10	Unterlegscheibe M10	Arandela	
9	1440329X1	3	Nut, Hex. - Nyloc, M10	Ecrou Blocage	Flachmutter M10	Tuerca De Retención	
10	835057M91	1	Connector B1510m-12-12	Raccord	Schraubanschluss	Conexión, Conj.	
11	#UNION	1	Union	Union	Union	Union	Ref. 10
12	835025M1	1	Ring O	Joint Torique	O Ring	Junta De Tipo O	
13	358766X91	1	Elbow 90deg	Coude	Kniestück, 90	Codo, 90°	
14	#ELBOW	1	Elbow	Elbow	Elbow	Elbow	Ref. 13
15	835026M1	1	O-Ring	Joint Torique	O-Ring	Junta De Tipo O	
16	835091M91	2	Connector 9/16 Unf	Borne	Doppelnippel	Unión	
17	#UNION	1	Union	Union	Union	Union	Ref. 16
18	831452M1	1	O Ring (Pack Of 10)	Joint Torique	O Ring	Junta De Tipo O	
19	365715X91	8	Connector, Hydr.-Straight, 1 1/16 X 7/8	Borne	Doppelnippel	Conexión, Conj.	
20	#UNION	1	Union	Union	Union	Union	Ref. 19
21	835025M1	1	Ring O	Joint Torique	O Ring	Junta De Tipo O	
22	365713X91	4	Connector 1.1/16 - 3/4	Montage	Anschlverschrbg	Unión	
23	#UNION	1	Union	Union	Union	Union	Ref. 22
24	835025M1	1	Ring O	Joint Torique	O Ring	Junta De Tipo O	
25	358781X91	1	Elbow 45 Deg 4ws	Coude 135°	Winkelstuck 135°	Codo, 45°	
26	#ELBOW	1	Elbow	Elbow	Elbow	Elbow	Ref. 25
27	831452M1	1	O Ring (Pack Of 10)	Joint Torique	O Ring	Junta De Tipo O	
28	835099M91	1	Plug 1.1/16	Bouchon	Stopfen	Tapón, Conj.	
29	#PLUG	1	Plug	Plug	Plug	Plug	Ref. 28
30	835025M1	1	Ring O	Joint Torique	O Ring	Junta De Tipo O	



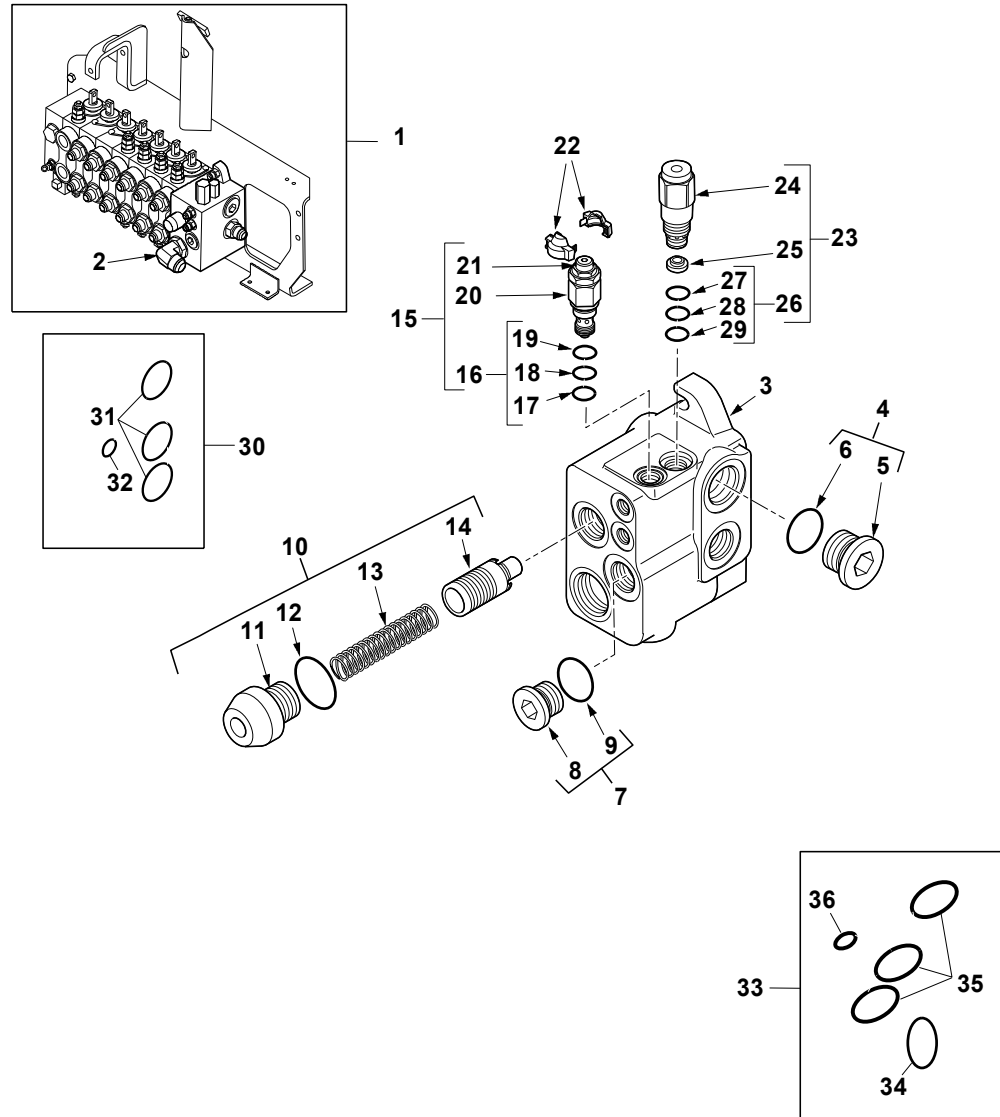
C-38001-02.1-A



Item	Part No.	Qty.	English	French	German	Spanish	Remarks
1	6109206M91	1	Valve-7sp Mech. Ss 08/401/331	Ensemble Distribution	Steuerventilblock Kpl.	Distribuidor, Conj.	
2	#VALVE ASSY	1	Valve Assy	Valve Assy	Valve Assy	Valve Assy	Inlet
3	#BODY	1	Body	Body	Body	Body	Ref. 2
4	6193772M91	1	Plug Fot T Port 5/16 Unf	Bouchon	Stopfen	Tapón, Conj.	
5	#PLUG	1	Plug	Plug	Plug	Plug	Ref. 4
6	#O-RING	1	O-Ring	Joint Torique	O-Ring	Junta Tórica	Ref. 4
7	6193773M91	1	Plug For P 1.1/16 Unf	Bouchon	Stopfen	Tapón, Conj.	
8	#PLUG	1	Plug	Plug	Plug	Plug	Ref. 7
9	#O-RING	1	O-Ring	Joint Torique	O-Ring	Junta Tórica	Ref. 7
10	6193786M91	1	Regulating Kit	Ens. Soupape Pression	Druckventil Kpl.	Válvula Presión, Conj.	
11	#VALVE	1	Valve	Soupape	Ventil	Válvula	Ref. 10
12	#O-RING	1	O-Ring	Joint Torique	O-Ring	Junta Tórica	Ref. 10
13	#SPRING	1	Spring	Ressort	Feder	Muelle	Ref. 10
14	#BODY	1	Body	Body	Body	Body	Ref. 10
15	6193787M91	1	Ls Pressure Relief Valve	Soupape De Sécurité	Überdruckventil	Válvula De Seguridad	
16	6193791M91	1	Seal Kit - L/S Valve	Jeu Étanchéité	Dichtringsatz	Juego De Juntas	
17	#O-RING	1	O-Ring	Joint Torique	O-Ring	Junta Tórica	Ref. 17
18	#O-RING	1	O-Ring	Joint Torique	O-Ring	Junta Tórica	Ref. 17
19	#O-RING	1	O-Ring	Joint Torique	O-Ring	Junta Tórica	Ref. 17
20	#VALVE	1	Valve	Soupape	Ventil	Válvula	Ref. 16
21	#NUT	1	Nut	Ecrou	Mutter	Tuerca	Ref. 16
22	#COVER	0	Cover	Cover	Cover	Cover	Ref. 2
23	6193788M91	1	Flow Regulator 0.7 Lt/Min + Filter	Valve Anti-Surdébit	Begrenzungsventil	Válv. Antisobrecaud.	
24	#VALVE	1	Valve	Soupape	Ventil	Válvula	Ref. 24
25	#ELEMENT	1	Element	Element	Element	Element	Ref. 24
26	6193790M91	1	Seal Kit - Flow Regulator	Jeu Étanchéité	Dichtringsatz	Juego De Juntas	
27	#O-RING	1	O-Ring	Joint Torique	O-Ring	Junta Tórica	Ref. 27
28	#O-RING	1	O-Ring	Joint Torique	O-Ring	Junta Tórica	Ref. 27
29	#O-RING	1	O-Ring	Joint Torique	O-Ring	Junta Tórica	Ref. 27
30	6193771M91	1	Seal Interface Kit	Pochette De Joints	Dichtsatz	Juego De Juntas	

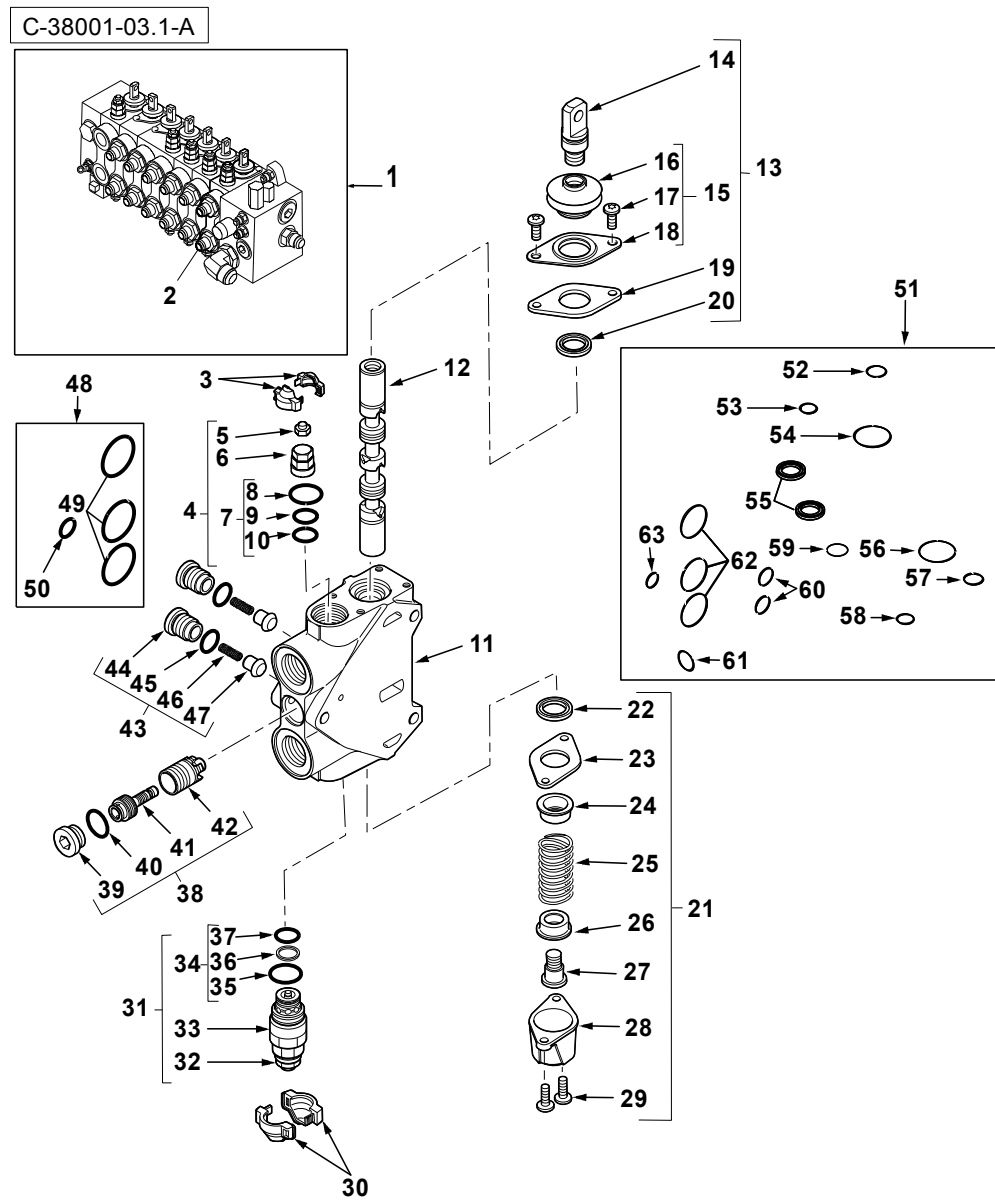


C-38001-02.1-A



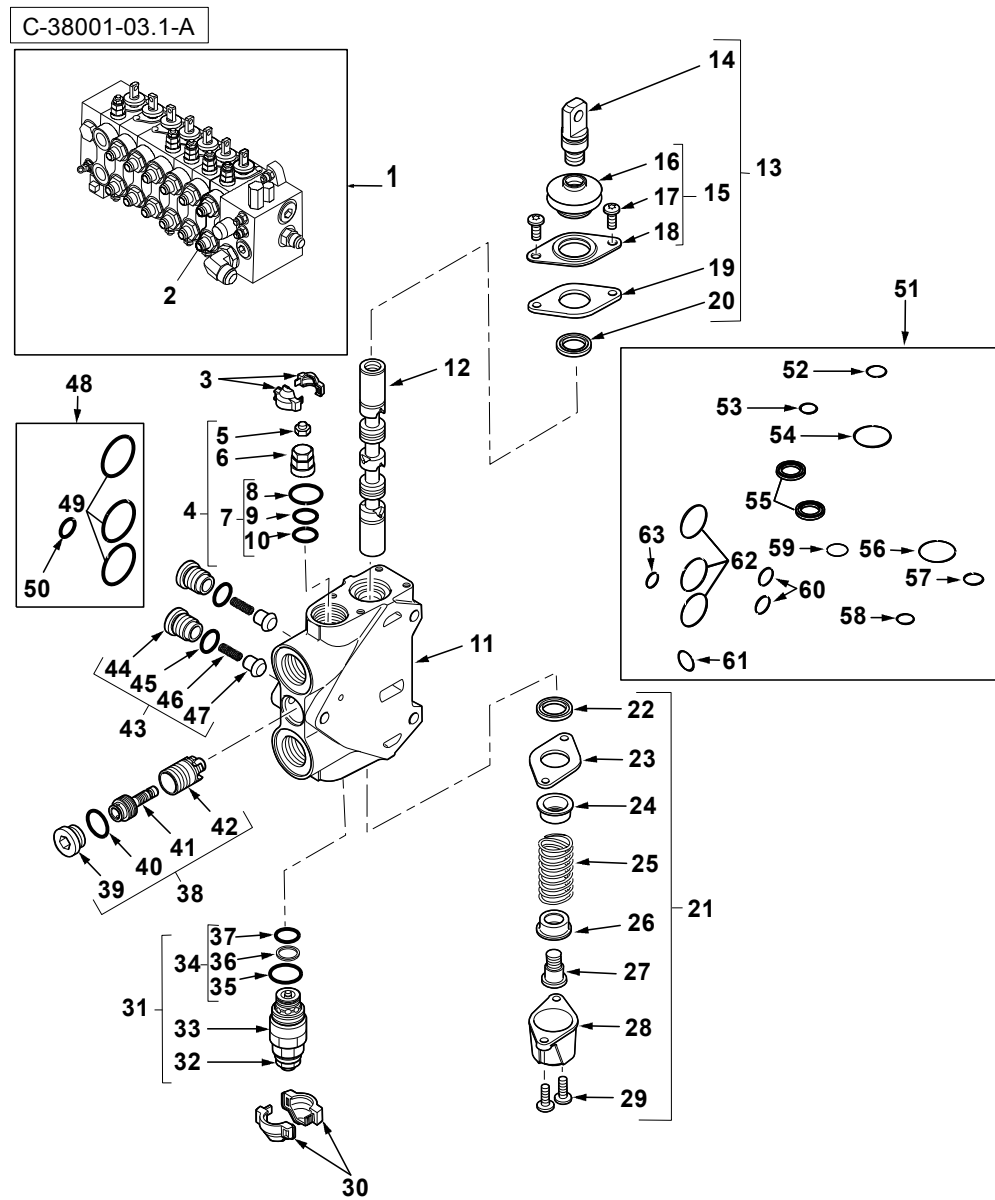
Item	Part No.	Qty.	English	French	German	Spanish	Remarks
31	#O-RING	3	O-Ring	Joint Torique	O-Ring	Junta Tórica	Ref. 31
32	#O-RING	1	O-Ring	Joint Torique	O-Ring	Junta Tórica	Ref. 31
33	6193789M91	1	Seal Kit - Inlet Element	Jeu Étanchéité	Dichtringsatz	Juego De Juntas	
34	#O-RING	1	O-Ring	Joint Torique	O-Ring	Junta Tórica	Ref. 35
35	#O-RING	3	O-Ring	Joint Torique	O-Ring	Junta Tórica	Ref. 35
36	#O-RING	1	O-Ring	Joint Torique	O-Ring	Junta Tórica	Ref. 35





Item	Part No.	Qty.	English	French	German	Spanish	Remarks
1	6109206M91	1	Valve-7sp Mech. Ss 08/401/331	Ensemble Distribution	Steuerventilblock Kpl.	Distribuidor, Conj.	Continued
2	#VALVE ASSY	1	Valve Assy	Valve Assy	Valve Assy	Valve Assy	
3	#COVER	0	Cover	Cover	Cover	Cover	Ref. 2
4	6193800M91	1	Pressure Relief Valve H 240 Bar	Valve Decharge	Druckbegrventil	Válvula De Seguridad	
5	#NUT	1	Nut	Ecrou	Mutter	Tuerca	Ref. 4
6	#VALVE	1	Valve	Soupape	Ventil	Válvula	Ref. 4
7	6193779M91	1	Seal Kit - Relief Valve	Jeu Étanchéité	Dichtringsatz	Juego De Juntas	
8	#O-RING	1	O-Ring	Joint Torique	O-Ring	Junta Tórica	Ref. 7
9	#O-RING	1	O-Ring	Joint Torique	O-Ring	Junta Tórica	Ref. 7
10	#O-RING	1	O-Ring	Joint Torique	O-Ring	Junta Tórica	Ref. 7
11	#BODY	1	Body	Body	Body	Body	Ref. 2
12	#SPOOL	1	Spool	Spool	Spool	Spool	Ref. 2
13	6193780M91	1	Kit - Mechanical Optd Z1	Lot De Pièces	Ersatzteilpaket	Juego De Piezas	
14	#SCREW	1	Screw	Vis	Schraube	Tornillo	Ref. 13
15	6193783M91	1	Bellows Kit	Lot De Pieces	Dichtung	Juego De Piezas	
16	#SEAL	1	Seal	Joint Étanchéité	Dichtring	Retén	Ref. 15
17	#SCREW	1	Screw	Vis	Schraube	Tornillo	Ref. 15
18	#COVER	2	Cover	Cover	Cover	Cover	Ref. 15
19	#PLATE	1	Plate	Plaque	Platte	Plato	Ref. 13
20	6194492M1	1	Lip Seal - Rexorth Ref: 8100160	Joint Étanchéité	Dichtring	Junta	
21	6193784M91	1	Mechanical Optd Kit	Lot De Pièces	Ersatzteilpaket	Juego De Piezas	
22	6194492M1	1	Lip Seal - Rexorth Ref: 8100160	Joint Étanchéité	Dichtring	Junta	
23	#PLATE	1	Plate	Plaque	Platte	Plato	Ref. 21
24	#HOLDER	1	Holder	Holder	Holder	Holder	Ref. 21
25	#SPRING	1	Spring	Ressort	Feder	Muelle	Ref. 21
26	#HOLDER	1	Holder	Holder	Holder	Holder	Ref. 21
27	#SCREW	1	Screw	Vis	Schraube	Tornillo	Ref. 21
28	#CAP	1	Cap	Chapeau	Kappe	Tapa	Ref. 21
29	#SCREW	2	Screw	Vis	Schraube	Tornillo	Ref. 21
30	#COVER	0	Cover	Cover	Cover	Cover	Ref. 21

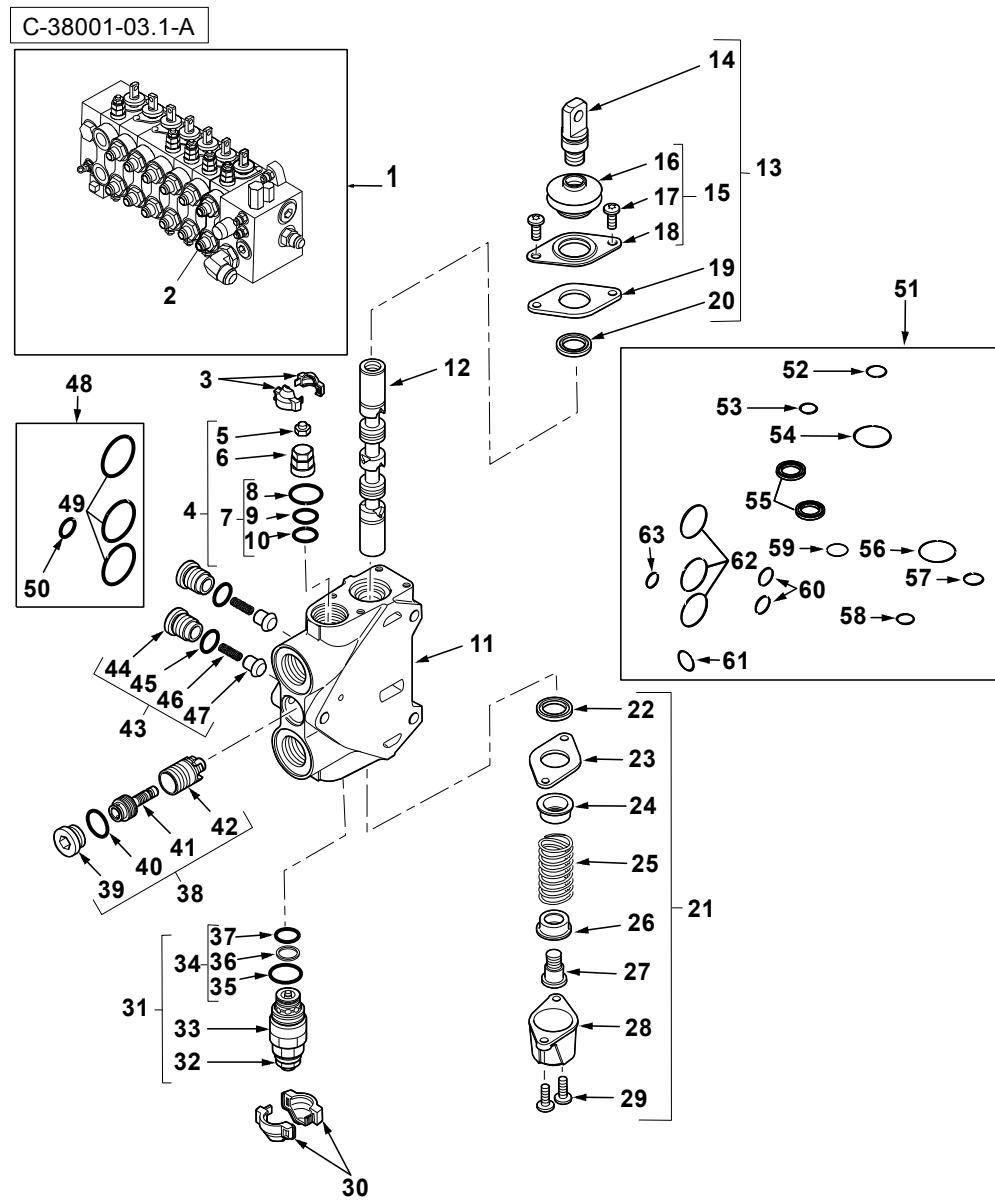






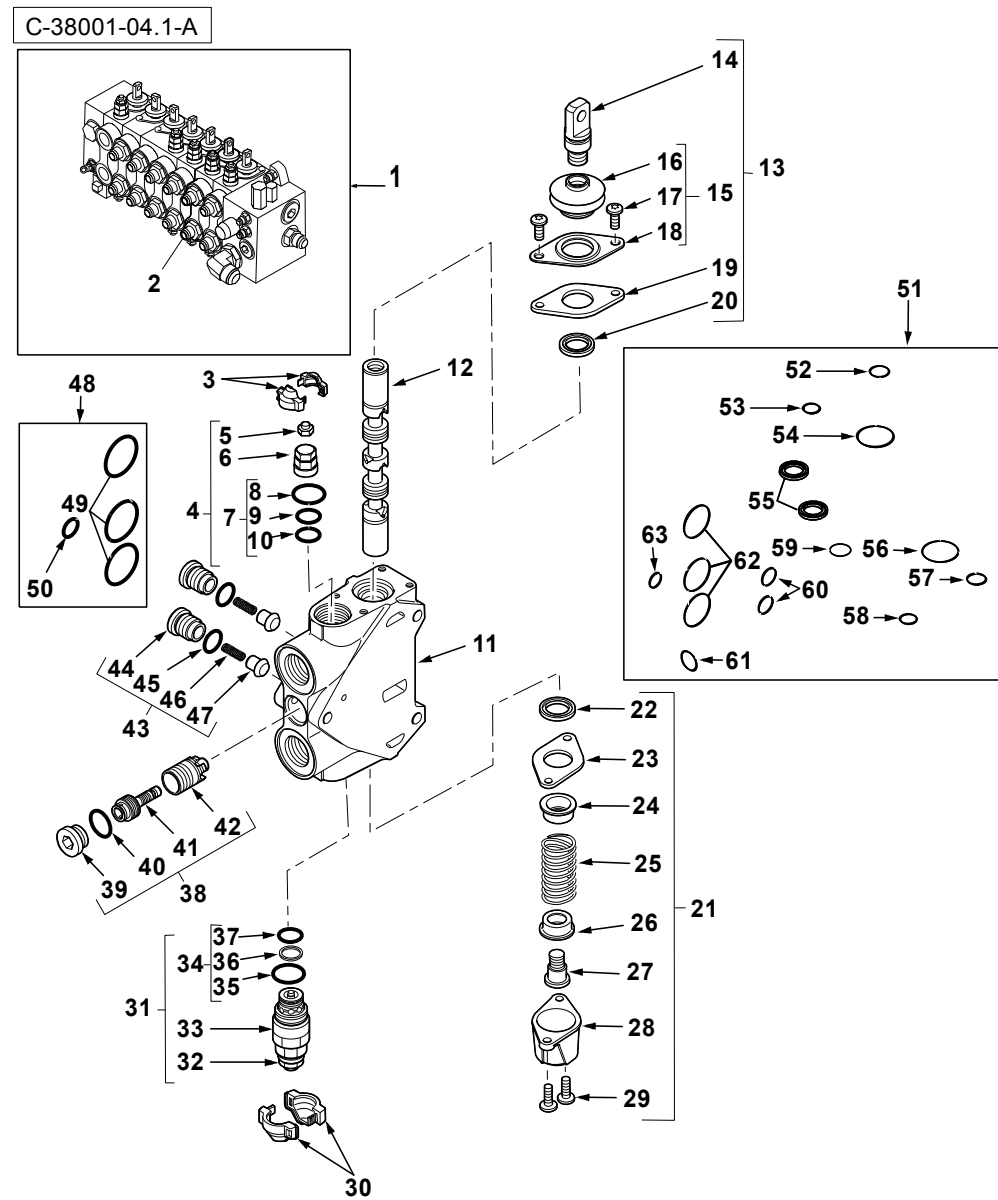
Item	Part No.	Qty.	English	French	German	Spanish	Remarks
31	6193800M91	1	Pressure Relief Valve H 240 Bar	Valve Decharge	Druckbegrentil	Válvula De Seguridad	
32	#NUT	1	Nut	Ecrou	Mutter	Tuerca	Ref. 31
33	#VALVE	1	Valve	Soupape	Ventil	Válvula	Ref. 31
34	6193779M91	1	Seal Kit - Relief Valve	Jeu Étanchéité	Dichtringsatz	Juego De Juntas	
35	#O-RING	1	O-Ring	Joint Torique	O-Ring	Junta Tórica	Ref. 34
36	#O-RING	1	O-Ring	Joint Torique	O-Ring	Junta Tórica	Ref. 34
37	#O-RING	1	O-Ring	Joint Torique	O-Ring	Junta Tórica	Ref. 34
38	6193774M91	1	Kit - Compensator	Ensemble De Soupape	Ventil Kpl.	Válvula, Conj.	
39	#PLUG	1	Plug	Plug	Plug	Plug	Ref. 38
40	#O-RING	1	O-Ring	Joint Torique	O-Ring	Junta Tórica	Ref. 38
41	#VALVE	1	Valve	Soupape	Ventil	Válvula	Ref. 38
42	#BODY	1	Body	Body	Body	Body	Ref. 38
43	6193775M91	2	Check Valve Kit	Clapet Anti-Retour	Rückschlagventil	Válvula De Parada	
44	#PLUG	1	Plug	Plug	Plug	Plug	Ref. 43
45	#O-RING	1	O-Ring	Joint Torique	O-Ring	Junta Tórica	Ref. 43
46	#SPRING	1	Spring	Ressort	Feder	Muelle	Ref. 43
47	#VALVE	1	Valve	Soupape	Ventil	Válvula	Ref. 43
48	6193771M91	1	Seal Interface Kit	Pochette De Joints	Dichtsatz	Juego De Juntas	
49	#O-RING	3	O-Ring	Joint Torique	O-Ring	Junta Tórica	Ref. 48
50	#O-RING	1	O-Ring	Joint Torique	O-Ring	Junta Tórica	Ref. 48
51	6193781M91	0	Seal Kit Complete	Jeu Etancheite	Dichtringsatz	Juege De Juntas	
52	#O-RING	1	O-Ring	Joint Torique	O-Ring	Junta Tórica	18.77 X 1.78 Ref. 51
53	#O-RING	1	O-Ring	Joint Torique	O-Ring	Junta Tórica	15.6 X 1.78 Ref. 51
54	#O-RING	1	O-Ring	Joint Torique	O-Ring	Junta Tórica	36.3 X 1.78 Ref. 51
55	6194492M1	2	Lip Seal - Rexorth Ref: 8100160	Joint Étanchéité	Dichtring	Junta	
56	#O-RING	1	O-Ring	Joint Torique	O-Ring	Junta Tórica	36.3 X 1.78 Ref. 51
57	#O-RING	1	O-Ring	Joint Torique	O-Ring	Junta Tórica	18.77 X 1.78 Ref. 51
58	#O-RING	1	O-Ring	Joint Torique	O-Ring	Junta Tórica	15.6 X 1.78 Ref. 51
59	#O-RING	1	O-Ring	Joint Torique	O-Ring	Junta Tórica	18 X 2.5 Ref. 51
60	#O-RING	2	O-Ring	Joint Torique	O-Ring	Junta Tórica	15 X 2 Ref. 51





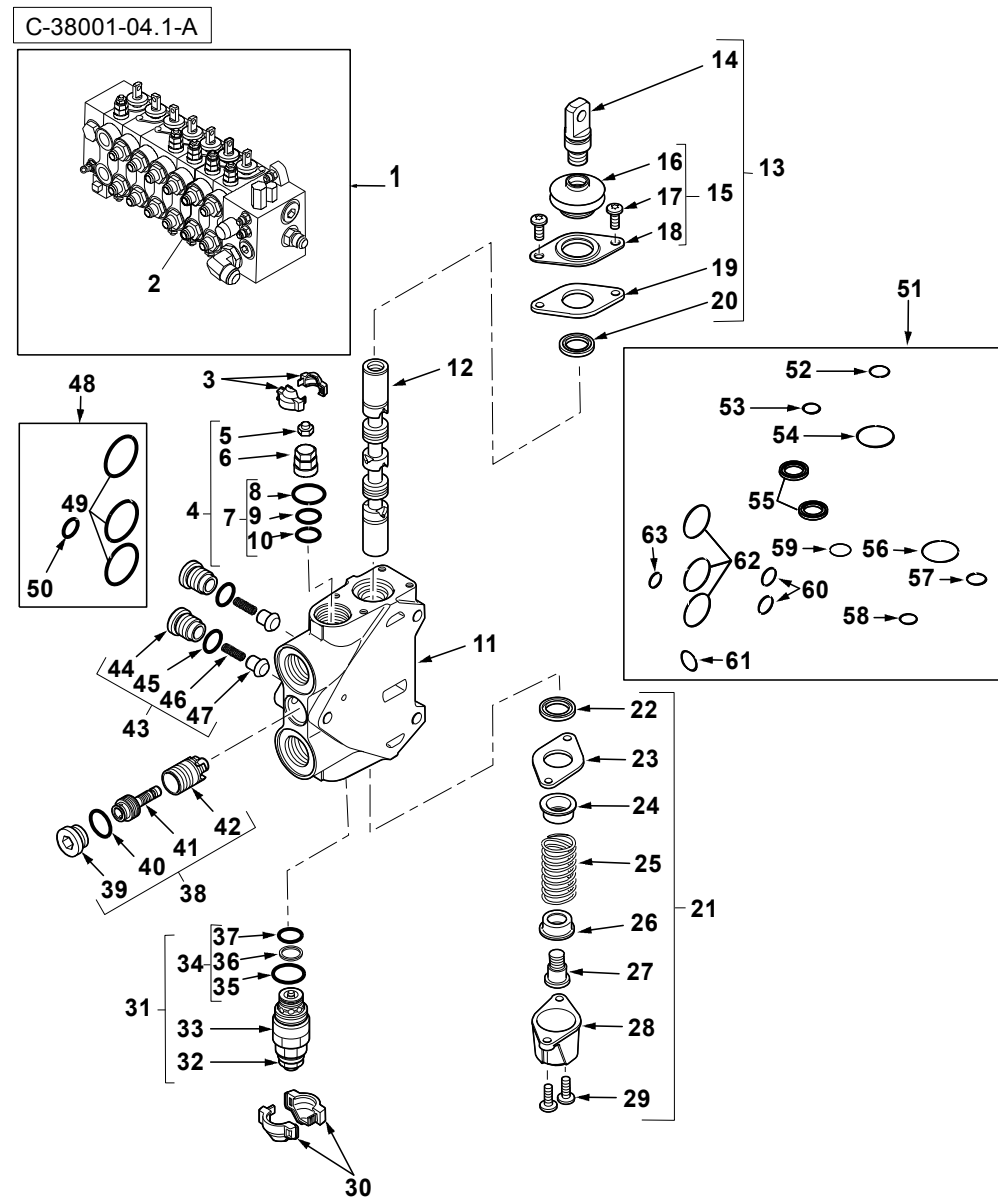
<b>Item</b>	<b>Part No.</b>	<b>Qty.</b>	<b>English</b>	<b>French</b>	<b>German</b>	<b>Spanish</b>	<b>Remarks</b>
61	#O-RING	1	O-Ring	Joint Torique	O-Ring	Junta Tórica	19.4 X 2.1 Ref. 51
62	#O-RING	3	O-Ring	Joint Torique	O-Ring	Junta Tórica	29.82 X 2.62 Ref. 51
63	#O-RING	1	O-Ring	Joint Torique	O-Ring	Junta Tórica	10.77 X 2.62 Ref. 51





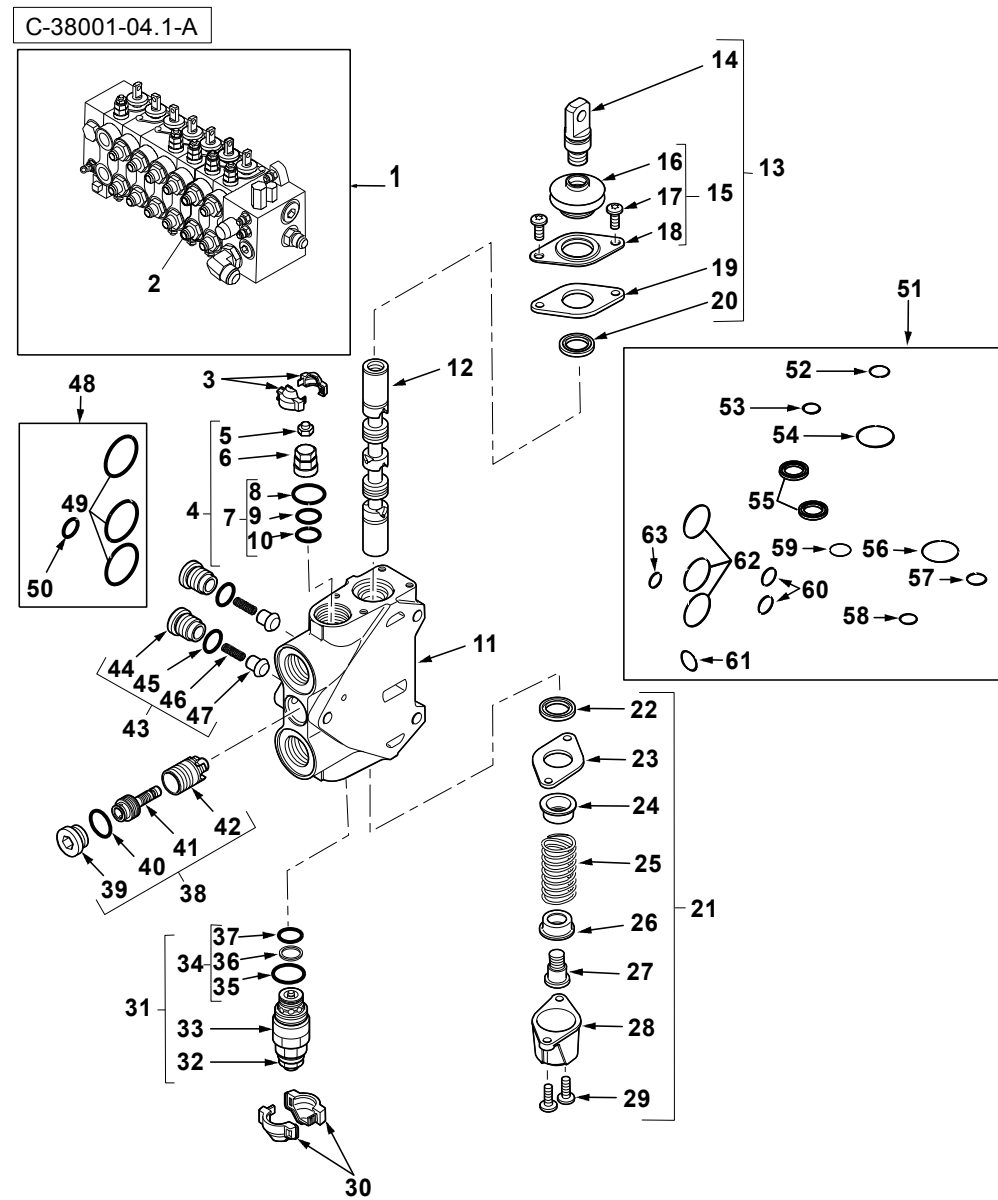
Item	Part No.	Qty.	English	French	German	Spanish	Remarks
1	6109206M91	1	Valve-7sp Mech. Ss 08/401/331	Ensemble Distribution	Steuerventilblock Kpl.	Distribuidor, Conj.	Continued
2	#VALVE ASSY	1	Valve Assy	Valve Assy	Valve Assy	Valve Assy	
3	#COVER	0	Cover	Cover	Cover	Cover	Ref. 2
4	6193800M91	1	Pressure Relief Valve H 240 Bar	Valve Decharge	Druckbegrventil	Válvula De Seguridad	
5	#NUT	1	Nut	Ecrou	Mutter	Tuerca	Ref. 4
6	#VALVE	1	Valve	Soupape	Ventil	Válvula	Ref. 4
7	6193779M91	1	Seal Kit - Relief Valve	Jeu Étanchéité	Dichtringsatz	Juego De Juntas	
8	#O-RING	1	O-Ring	Joint Torique	O-Ring	Junta Tórica	Ref. 7
9	#O-RING	1	O-Ring	Joint Torique	O-Ring	Junta Tórica	Ref. 7
10	#O-RING	1	O-Ring	Joint Torique	O-Ring	Junta Tórica	Ref. 7
11	#BODY	1	Body	Body	Body	Body	Ref. 2
12	#SPOOL	1	Spool	Spool	Spool	Spool	Ref. 2
13	6193780M91	1	Kit - Mechanical Optd Z1	Lot De Pièces	Ersatzteilpaket	Juego De Piezas	
14	#SCREW	1	Screw	Vis	Schraube	Tornillo	Ref. 13
15	6193783M91	1	Bellows Kit	Lot De Pieces	Dichtung	Juego De Piezas	
16	#SEAL	1	Seal	Joint Étanchéité	Dichtring	Retén	Ref. 15
17	#SCREW	1	Screw	Vis	Schraube	Tornillo	Ref. 15
18	#COVER	2	Cover	Cover	Cover	Cover	Ref. 15
19	#PLATE	1	Plate	Plaque	Platte	Plato	Ref. 13
20	6194492M1	1	Lip Seal - Rexorth Ref: 8100160	Joint Étanchéité	Dichtring	Junta	
21	6193784M91	1	Mechanical Optd Kit	Lot De Pièces	Ersatzteilpaket	Juego De Piezas	
22	6194492M1	1	Lip Seal - Rexorth Ref: 8100160	Joint Étanchéité	Dichtring	Junta	
23	#PLATE	1	Plate	Plaque	Platte	Plato	Ref. 21
24	#HOLDER	1	Holder	Holder	Holder	Holder	Ref. 21
25	#SPRING	1	Spring	Ressort	Feder	Muelle	Ref. 21
26	#HOLDER	1	Holder	Holder	Holder	Holder	Ref. 21
27	#SCREW	1	Screw	Vis	Schraube	Tornillo	Ref. 21
28	#CAP	1	Cap	Chapeau	Kappe	Tapa	Ref. 21
29	#SCREW	2	Screw	Vis	Schraube	Tornillo	Ref. 21
30	#COVER	0	Cover	Cover	Cover	Cover	Ref. 21





Item	Part No.	Qty.	English	French	German	Spanish	Remarks
31	6193804M91	1	Pressure Relief Valve H (310 Bar)	Valve Decharge	Druckbegrventil	Válvula De Seguridad	
32	#NUT	1	Nut	Ecrou	Mutter	Tuerca	Ref. 31
33	#VALVE	1	Valve	Soupape	Ventil	Válvula	Ref. 31
34	6193779M91	1	Seal Kit - Relief Valve	Jeu Étanchéité	Dichtringsatz	Juego De Juntas	
35	#O-RING	1	O-Ring	Joint Torique	O-Ring	Junta Tórica	Ref. 34
36	#O-RING	1	O-Ring	Joint Torique	O-Ring	Junta Tórica	Ref. 34
37	#O-RING	1	O-Ring	Joint Torique	O-Ring	Junta Tórica	Ref. 34
38	6193774M91	1	Kit - Compensator	Ensemble De Soupape	Ventil Kpl.	Válvula, Conj.	
39	#PLUG	1	Plug	Plug	Plug	Plug	Ref. 38
40	#O-RING	1	O-Ring	Joint Torique	O-Ring	Junta Tórica	Ref. 38
41	#VALVE	1	Valve	Soupape	Ventil	Válvula	Ref. 38
42	#BODY	1	Body	Body	Body	Body	Ref. 38
43	6193775M91	2	Check Valve Kit	Clapet Anti-Retour	Rückschlagventil	Válvula De Parada	
44	#PLUG	1	Plug	Plug	Plug	Plug	Ref. 43
45	#O-RING	1	O-Ring	Joint Torique	O-Ring	Junta Tórica	Ref. 43
46	#SPRING	1	Spring	Ressort	Feder	Muelle	Ref. 43
47	#VALVE	1	Valve	Soupape	Ventil	Válvula	Ref. 43
48	6193771M91	1	Seal Interface Kit	Pochette De Joints	Dichtsatz	Juego De Juntas	
49	#O-RING	3	O-Ring	Joint Torique	O-Ring	Junta Tórica	Ref. 48
50	#O-RING	1	O-Ring	Joint Torique	O-Ring	Junta Tórica	Ref. 48
51	6193781M91	0	Seal Kit Complete	Jeu Etancheite	Dichtringsatz	Juege De Juntas	
52	#O-RING	1	O-Ring	Joint Torique	O-Ring	Junta Tórica	18.77 X 1.78 Ref. 51
53	#O-RING	1	O-Ring	Joint Torique	O-Ring	Junta Tórica	15.6 X 1.78 Ref. 51
54	#O-RING	1	O-Ring	Joint Torique	O-Ring	Junta Tórica	36.3 X 1.78 Ref. 51
55	6194492M1	2	Lip Seal - Rexorth Ref: 8100160	Joint Étanchéité	Dichtring	Junta	
56	#O-RING	1	O-Ring	Joint Torique	O-Ring	Junta Tórica	36.3 X 1.78 Ref. 51
57	#O-RING	1	O-Ring	Joint Torique	O-Ring	Junta Tórica	18.77 X 1.78 Ref. 51
58	#O-RING	1	O-Ring	Joint Torique	O-Ring	Junta Tórica	15.6 X 1.78 Ref. 51
59	#O-RING	1	O-Ring	Joint Torique	O-Ring	Junta Tórica	18 X 2.5 Ref. 51
60	#O-RING	2	O-Ring	Joint Torique	O-Ring	Junta Tórica	15 X 2 Ref. 51

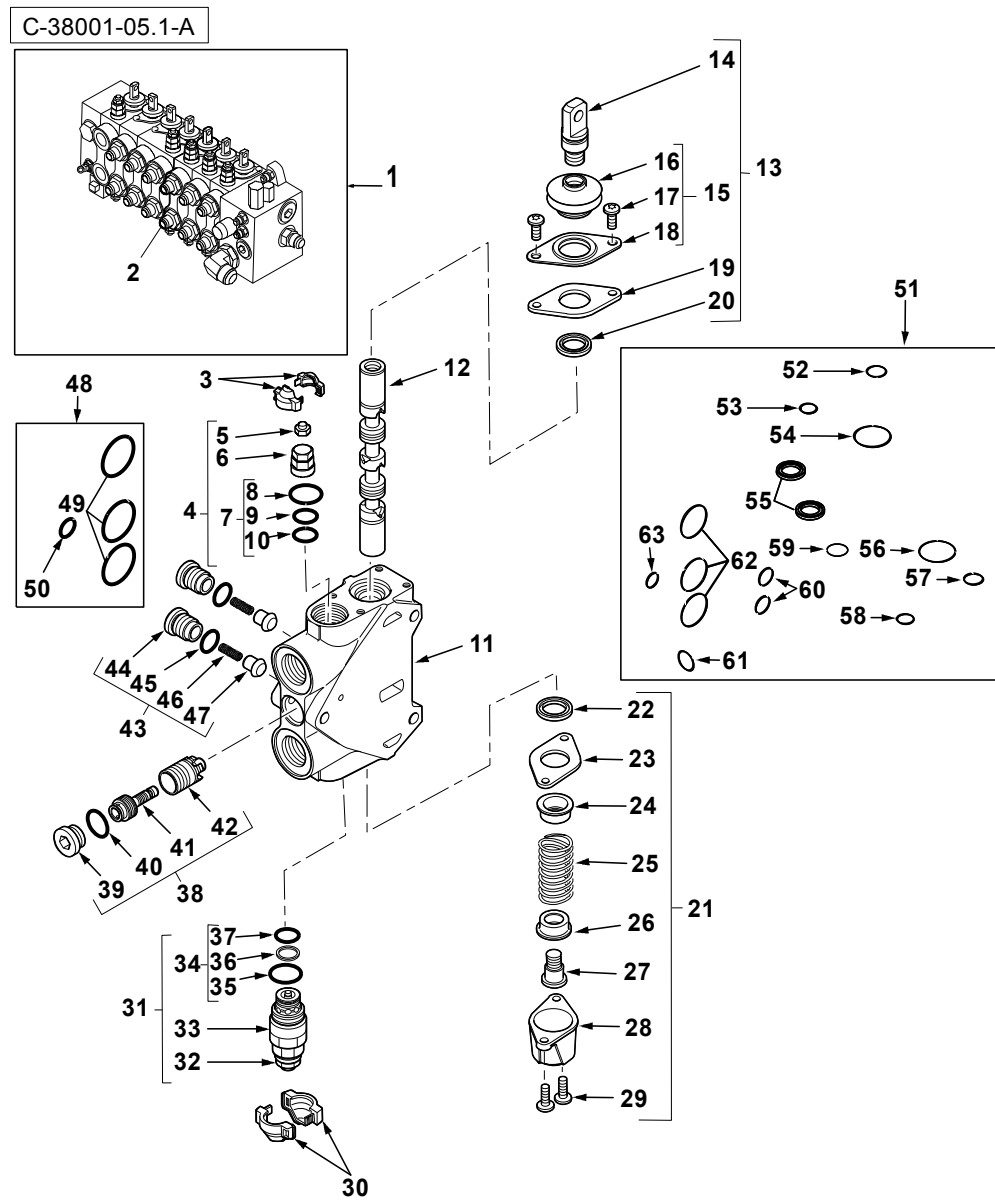






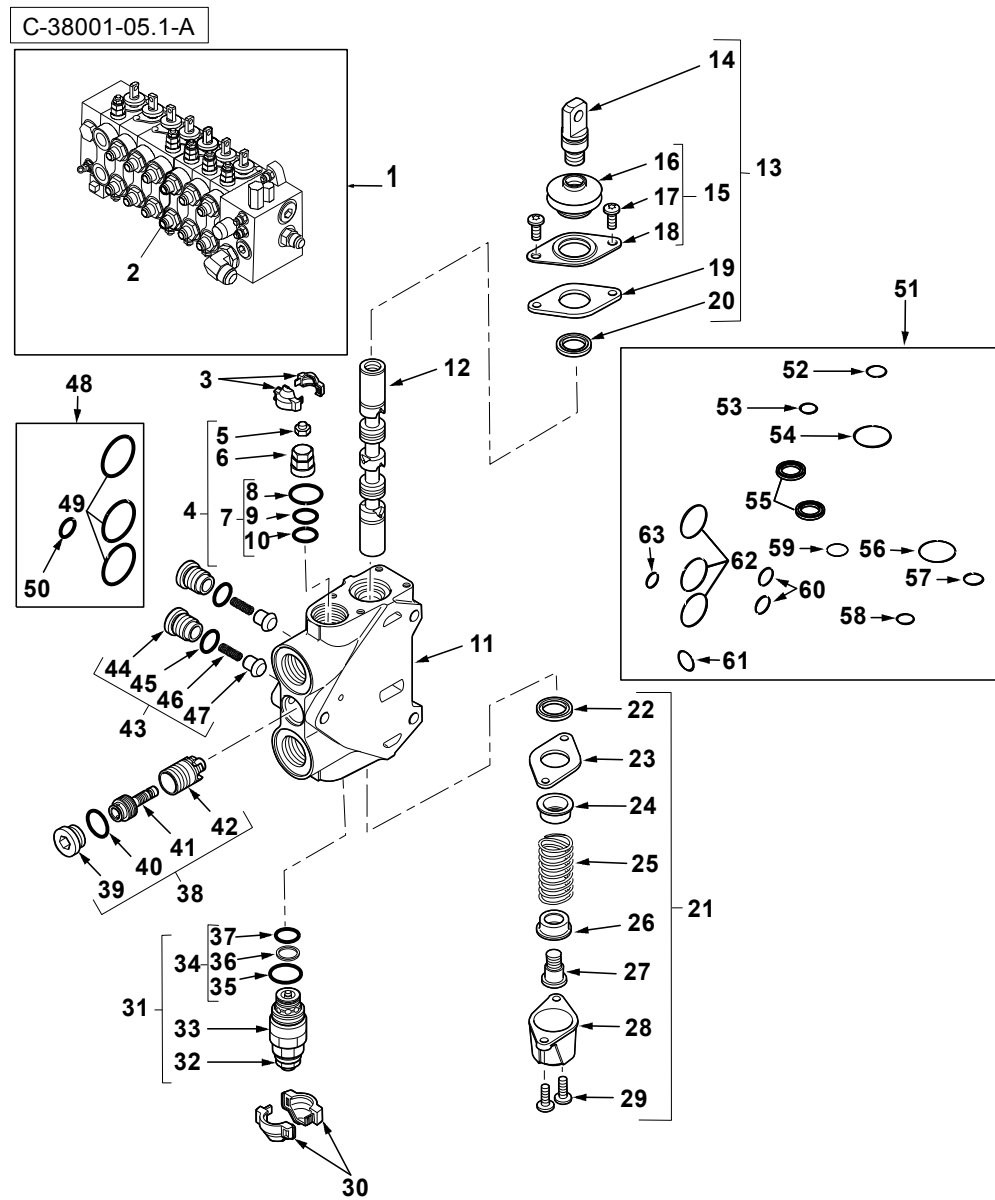
<b>Item</b>	<b>Part No.</b>	<b>Qty.</b>	<b>English</b>	<b>French</b>	<b>German</b>	<b>Spanish</b>	<b>Remarks</b>
61	#O-RING	1	O-Ring	Joint Torique	O-Ring	Junta Tórica	19.4 X 2.1 Ref. 51
62	#O-RING	3	O-Ring	Joint Torique	O-Ring	Junta Tórica	29.82 X 2.62 Ref. 51
63	#O-RING	1	O-Ring	Joint Torique	O-Ring	Junta Tórica	10.77 X 2.62 Ref. 51





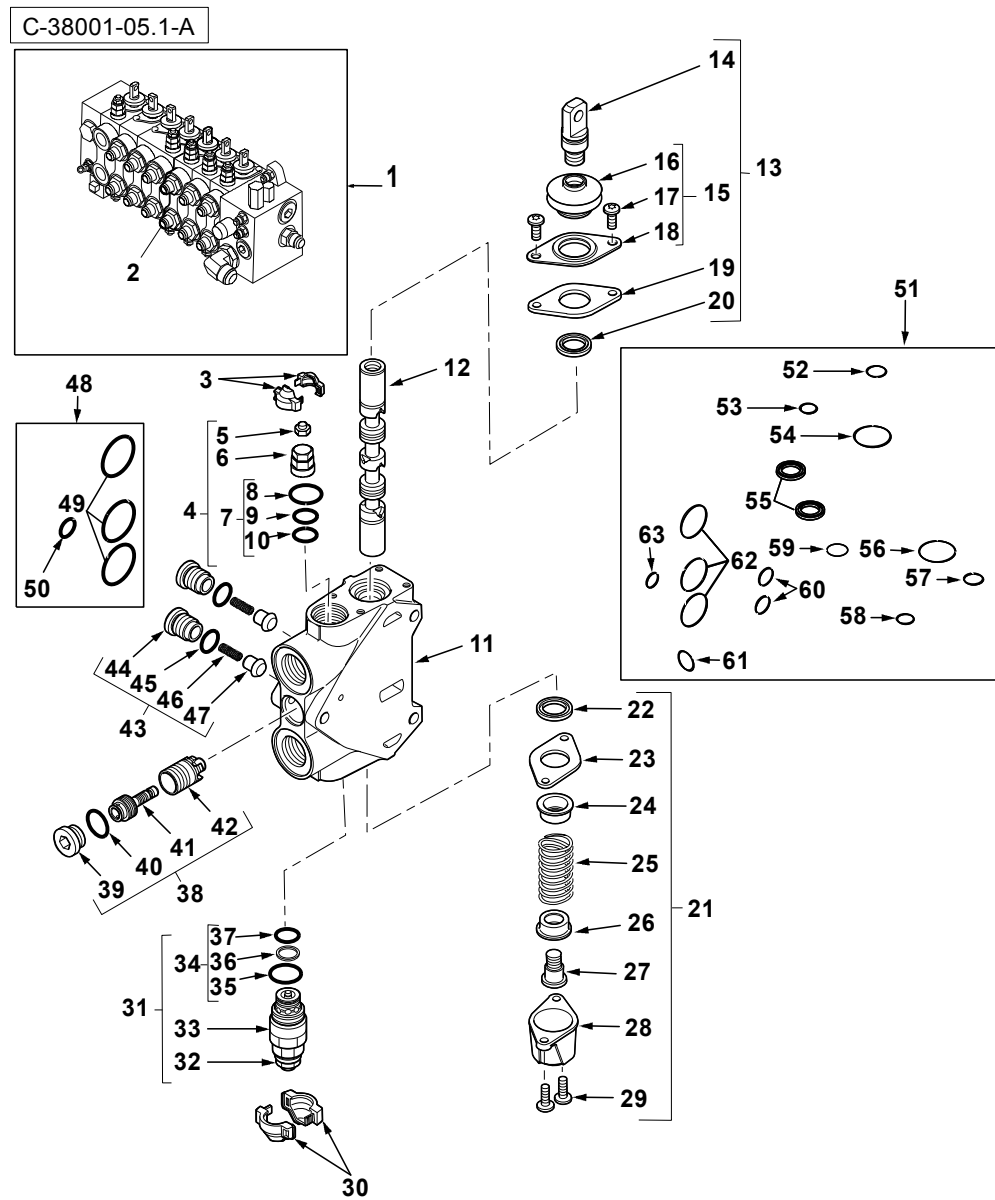
Item	Part No.	Qty.	English	French	German	Spanish	Remarks
1	6109206M91	1	Valve-7sp Mech. Ss 08/401/331	Ensemble Distribution	Steuerventilblock Kpl.	Distribuidor, Conj.	Continued
2	#VALVE ASSY	1	Valve Assy	Valve Assy	Valve Assy	Valve Assy	
3	#COVER	0	Cover	Cover	Cover	Cover	Ref. 2
4	6193805M91	1	Pressure Relief Valve H 280 Bar	Valve Decharge	Druckbegrventil	Válvula De Seguridad	
5	#NUT	1	Nut	Ecrou	Mutter	Tuerca	Ref. 4
6	#VALVE	1	Valve	Soupape	Ventil	Válvula	Ref. 4
7	6193779M91	1	Seal Kit - Relief Valve	Jeu Étanchéité	Dichtringsatz	Juego De Juntas	
8	#O-RING	1	O-Ring	Joint Torique	O-Ring	Junta Tórica	Ref. 7
9	#O-RING	1	O-Ring	Joint Torique	O-Ring	Junta Tórica	Ref. 7
10	#O-RING	1	O-Ring	Joint Torique	O-Ring	Junta Tórica	Ref. 7
11	#BODY	1	Body	Body	Body	Body	Ref. 2
12	#SPOOL	1	Spool	Spool	Spool	Spool	Ref. 2
13	6193780M91	1	Kit - Mechanical Optd Z1	Lot De Pièces	Ersatzteilpaket	Juego De Piezas	
14	#SCREW	1	Screw	Vis	Schraube	Tornillo	Ref. 13
15	6193783M91	1	Bellows Kit	Lot De Pieces	Dichtung	Juego De Piezas	
16	#SEAL	1	Seal	Joint Étanchéité	Dichtring	Retén	Ref. 15
17	#SCREW	1	Screw	Vis	Schraube	Tornillo	Ref. 15
18	#COVER	2	Cover	Cover	Cover	Cover	Ref. 15
19	#PLATE	1	Plate	Plaque	Platte	Plato	Ref. 13
20	6194492M1	1	Lip Seal - Rexorth Ref: 8100160	Joint Étanchéité	Dichtring	Junta	
21	6193784M91	1	Mechanical Optd Kit	Lot De Pièces	Ersatzteilpaket	Juego De Piezas	
22	6194492M1	1	Lip Seal - Rexorth Ref: 8100160	Joint Étanchéité	Dichtring	Junta	
23	#PLATE	1	Plate	Plaque	Platte	Plato	Ref. 21
24	#HOLDER	1	Holder	Holder	Holder	Holder	Ref. 21
25	#SPRING	1	Spring	Ressort	Feder	Muelle	Ref. 21
26	#HOLDER	1	Holder	Holder	Holder	Holder	Ref. 21
27	#SCREW	1	Screw	Vis	Schraube	Tornillo	Ref. 21
28	#CAP	1	Cap	Chapeau	Kappe	Tapa	Ref. 21
29	#SCREW	2	Screw	Vis	Schraube	Tornillo	Ref. 21
30	#COVER	0	Cover	Cover	Cover	Cover	Ref. 21





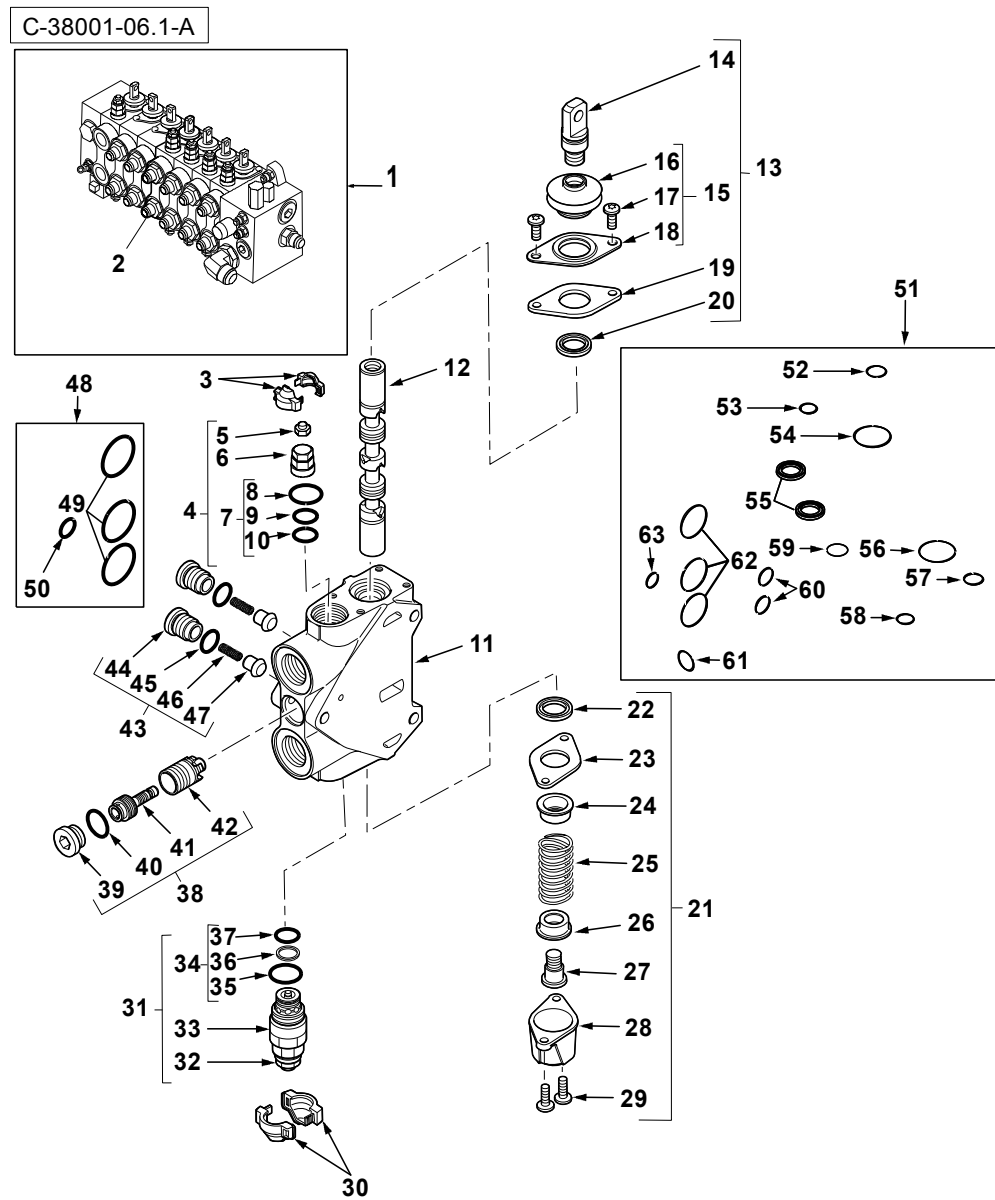
Item	Part No.	Qty.	English	French	German	Spanish	Remarks
31	6193802M91	1	Pressure Relief Valve H 265 Bar	Valve Decharge	Druckbegrentil	Válvula De Seguridad	
32	#NUT	1	Nut	Ecrou	Mutter	Tuerca	Ref. 31
33	#VALVE	1	Valve	Soupape	Ventil	Válvula	Ref. 31
34	6193779M91	1	Seal Kit - Relief Valve	Jeu Étanchéité	Dichtringsatz	Juego De Juntas	
35	#O-RING	1	O-Ring	Joint Torique	O-Ring	Junta Tórica	Ref. 34
36	#O-RING	1	O-Ring	Joint Torique	O-Ring	Junta Tórica	Ref. 34
37	#O-RING	1	O-Ring	Joint Torique	O-Ring	Junta Tórica	Ref. 34
38	6193792M91	1	Compensator Kit	Ensemble De Soupape	Ventil Kpl.	Válvula, Conj.	
39	#PLUG	1	Plug	Plug	Plug	Plug	Ref. 38
40	#O-RING	1	O-Ring	Joint Torique	O-Ring	Junta Tórica	Ref. 38
41	#VALVE	1	Valve	Soupape	Ventil	Válvula	Ref. 38
42	#BODY	1	Body	Body	Body	Body	Ref. 38
43	6193775M91	2	Check Valve Kit	Clapet Anti-Retour	Rückschlagventil	Válvula De Parada	
44	#PLUG	1	Plug	Plug	Plug	Plug	Ref. 43
45	#O-RING	1	O-Ring	Joint Torique	O-Ring	Junta Tórica	Ref. 43
46	#SPRING	1	Spring	Ressort	Feder	Muelle	Ref. 43
47	#VALVE	1	Valve	Soupape	Ventil	Válvula	Ref. 43
48	6193771M91	1	Seal Interface Kit	Pochette De Joints	Dichtsatz	Juego De Juntas	
49	#O-RING	3	O-Ring	Joint Torique	O-Ring	Junta Tórica	Ref. 48
50	#O-RING	1	O-Ring	Joint Torique	O-Ring	Junta Tórica	Ref. 48
51	6193781M91	0	Seal Kit Complete	Jeu Etancheite	Dichtringsatz	Juege De Juntas	
52	#O-RING	1	O-Ring	Joint Torique	O-Ring	Junta Tórica	18.77 X 1.78 Ref. 51
53	#O-RING	1	O-Ring	Joint Torique	O-Ring	Junta Tórica	15.6 X 1.78 Ref. 51
54	#O-RING	1	O-Ring	Joint Torique	O-Ring	Junta Tórica	36.3 X 1.78 Ref. 51
55	6194492M1	2	Lip Seal - Rexorth Ref: 8100160	Joint Étanchéité	Dichtring	Junta	
56	#O-RING	1	O-Ring	Joint Torique	O-Ring	Junta Tórica	36.3 X 1.78 Ref. 51
57	#O-RING	1	O-Ring	Joint Torique	O-Ring	Junta Tórica	18.77 X 1.78 Ref. 51
58	#O-RING	1	O-Ring	Joint Torique	O-Ring	Junta Tórica	15.6 X 1.78 Ref. 51
59	#O-RING	1	O-Ring	Joint Torique	O-Ring	Junta Tórica	18 X 2.5 Ref. 51
60	#O-RING	2	O-Ring	Joint Torique	O-Ring	Junta Tórica	15 X 2 Ref. 51





<b>Item</b>	<b>Part No.</b>	<b>Qty.</b>	<b>English</b>	<b>French</b>	<b>German</b>	<b>Spanish</b>	<b>Remarks</b>
61	#O-RING	1	O-Ring	Joint Torique	O-Ring	Junta Tórica	19.4 X 2.1 Ref. 51
62	#O-RING	3	O-Ring	Joint Torique	O-Ring	Junta Tórica	29.82 X 2.62 Ref. 51
63	#O-RING	1	O-Ring	Joint Torique	O-Ring	Junta Tórica	10.77 X 2.62 Ref. 51

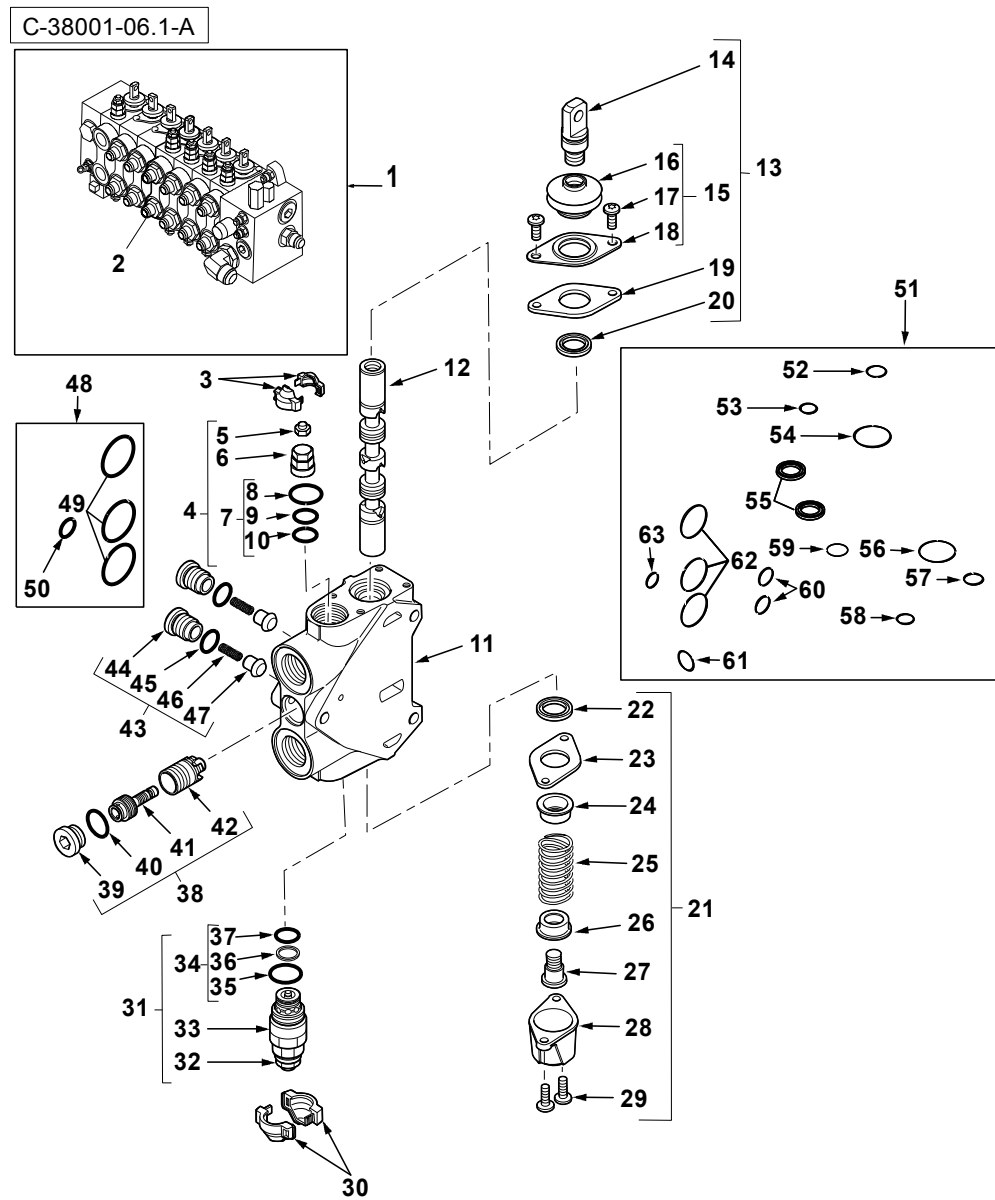






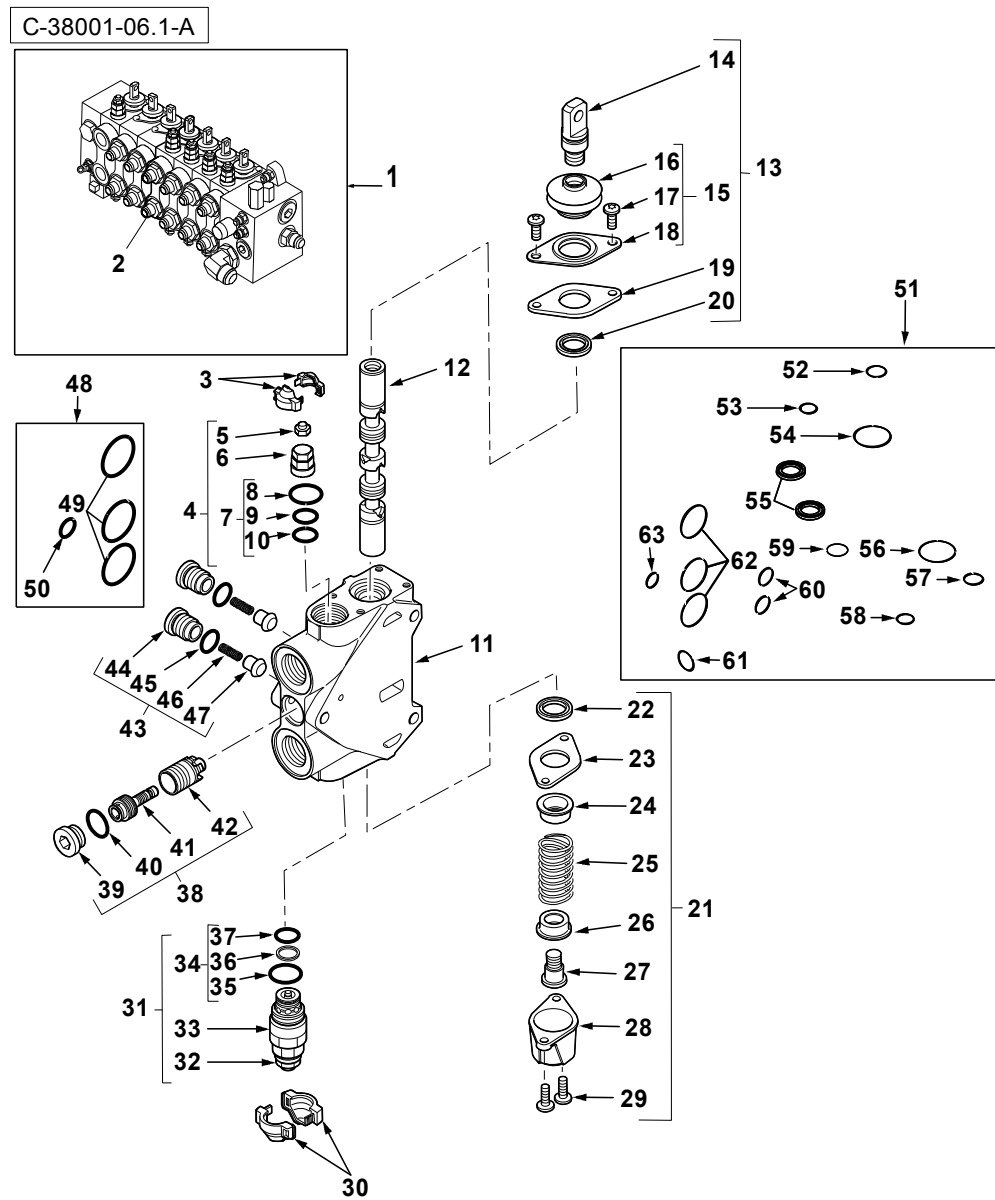
Item	Part No.	Qty.	English	French	German	Spanish	Remarks
1	6109206M91	1	Valve-7sp Mech. Ss 08/401/331	Ensemble Distribution	Steuerventilblock Kpl.	Distribuidor, Conj.	Continued
2	#VALVE ASSY	1	Valve Assy	Valve Assy	Valve Assy	Valve Assy	
3	#COVER	0	Cover	Cover	Cover	Cover	Ref. 2
4	6193805M91	1	Pressure Relief Valve H 280 Bar	Valve Decharge	Druckbegrventil	Válvula De Seguridad	
5	#NUT	1	Nut	Ecrou	Mutter	Tuerca	Ref. 4
6	#VALVE	1	Valve	Soupape	Ventil	Válvula	Ref. 4
7	6193779M91	1	Seal Kit - Relief Valve	Jeu Étanchéité	Dichtringsatz	Juego De Juntas	
8	#O-RING	1	O-Ring	Joint Torique	O-Ring	Junta Tórica	Ref. 7
9	#O-RING	1	O-Ring	Joint Torique	O-Ring	Junta Tórica	Ref. 7
10	#O-RING	1	O-Ring	Joint Torique	O-Ring	Junta Tórica	Ref. 7
11	#BODY	1	Body	Body	Body	Body	Ref. 2
12	#SPOOL	1	Spool	Spool	Spool	Spool	Ref. 2
13	6193780M91	1	Kit - Mechanical Optd Z1	Lot De Pièces	Ersatzteilpaket	Juego De Piezas	
14	#SCREW	1	Screw	Vis	Schraube	Tornillo	Ref. 13
15	6193783M91	1	Bellows Kit	Lot De Pieces	Dichtung	Juego De Piezas	
16	#SEAL	1	Seal	Joint Étanchéité	Dichtring	Retén	Ref. 15
17	#SCREW	1	Screw	Vis	Schraube	Tornillo	Ref. 15
18	#COVER	2	Cover	Cover	Cover	Cover	Ref. 15
19	#PLATE	1	Plate	Plaque	Platte	Plato	Ref. 13
20	6194492M1	1	Lip Seal - Rexorth Ref: 8100160	Joint Étanchéité	Dichtring	Junta	
21	6193784M91	1	Mechanical Optd Kit	Lot De Pièces	Ersatzteilpaket	Juego De Piezas	
22	6194492M1	1	Lip Seal - Rexorth Ref: 8100160	Joint Étanchéité	Dichtring	Junta	
23	#PLATE	1	Plate	Plaque	Platte	Plato	Ref. 21
24	#HOLDER	1	Holder	Holder	Holder	Holder	Ref. 21
25	#SPRING	1	Spring	Ressort	Feder	Muelle	Ref. 21
26	#HOLDER	1	Holder	Holder	Holder	Holder	Ref. 21
27	#SCREW	1	Screw	Vis	Schraube	Tornillo	Ref. 21
28	#CAP	1	Cap	Chapeau	Kappe	Tapa	Ref. 21
29	#SCREW	2	Screw	Vis	Schraube	Tornillo	Ref. 21
30	#COVER	0	Cover	Cover	Cover	Cover	Ref. 21





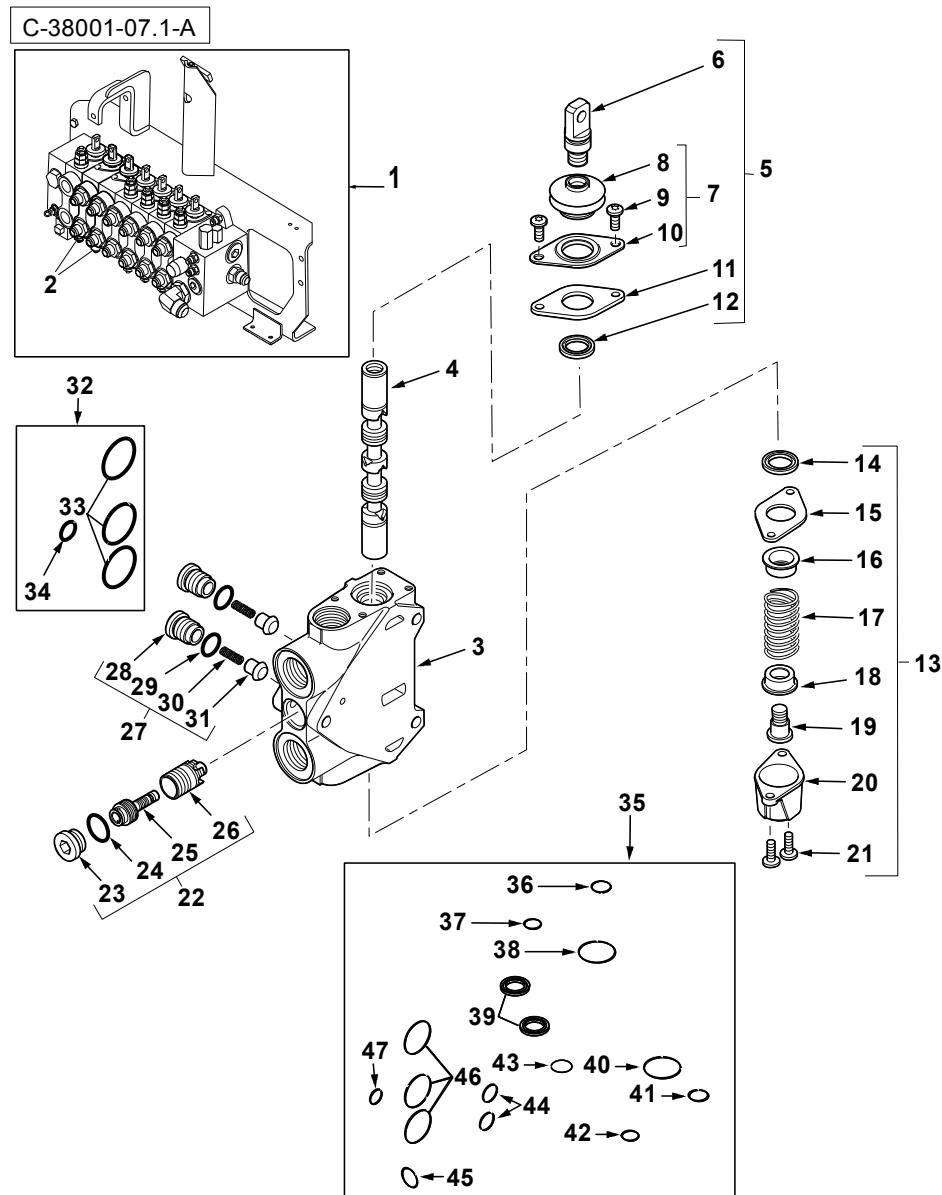
Item	Part No.	Qty.	English	French	German	Spanish	Remarks
31	6193805M91	1	Pressure Relief Valve H 280 Bar	Valve Decharge	Druckbegrentil	Válvula De Seguridad	
32	#NUT	1	Nut	Ecrou	Mutter	Tuerca	Ref. 31
33	#VALVE	1	Valve	Soupape	Ventil	Válvula	Ref. 31
34	6193779M91	1	Seal Kit - Relief Valve	Jeu Étanchéité	Dichtringsatz	Juego De Juntas	
35	#O-RING	1	O-Ring	Joint Torique	O-Ring	Junta Tórica	Ref. 34
36	#O-RING	1	O-Ring	Joint Torique	O-Ring	Junta Tórica	Ref. 34
37	#O-RING	1	O-Ring	Joint Torique	O-Ring	Junta Tórica	Ref. 34
38	6193774M91	1	Kit - Compensator	Ensemble De Soupape	Ventil Kpl.	Válvula, Conj.	
39	#PLUG	1	Plug	Plug	Plug	Plug	Ref. 38
40	#O-RING	1	O-Ring	Joint Torique	O-Ring	Junta Tórica	Ref. 38
41	#VALVE	1	Valve	Soupape	Ventil	Válvula	Ref. 38
42	#BODY	1	Body	Body	Body	Body	Ref. 38
43	6193775M91	2	Check Valve Kit	Clapet Anti-Retour	Rückschlagventil	Válvula De Parada	
44	#PLUG	1	Plug	Plug	Plug	Plug	Ref. 43
45	#O-RING	1	O-Ring	Joint Torique	O-Ring	Junta Tórica	Ref. 43
46	#SPRING	1	Spring	Ressort	Feder	Muelle	Ref. 43
47	#VALVE	1	Valve	Soupape	Ventil	Válvula	Ref. 43
48	6193771M91	1	Seal Interface Kit	Pochette De Joints	Dichtsatz	Juego De Juntas	
49	#O-RING	3	O-Ring	Joint Torique	O-Ring	Junta Tórica	Ref. 48
50	#O-RING	1	O-Ring	Joint Torique	O-Ring	Junta Tórica	Ref. 48
51	6193781M91	0	Seal Kit Complete	Jeu Etancheite	Dichtringsatz	Juege De Juntas	
52	#O-RING	1	O-Ring	Joint Torique	O-Ring	Junta Tórica	18.77 X 1.78 Ref. 51
53	#O-RING	1	O-Ring	Joint Torique	O-Ring	Junta Tórica	15.6 X 1.78 Ref. 51
54	#O-RING	1	O-Ring	Joint Torique	O-Ring	Junta Tórica	36.3 X 1.78 Ref. 51
55	6194492M1	2	Lip Seal - Rexorth Ref: 8100160	Joint Étanchéité	Dichtring	Junta	
56	#O-RING	1	O-Ring	Joint Torique	O-Ring	Junta Tórica	36.3 X 1.78 Ref. 51
57	#O-RING	1	O-Ring	Joint Torique	O-Ring	Junta Tórica	18.77 X 1.78 Ref. 51
58	#O-RING	1	O-Ring	Joint Torique	O-Ring	Junta Tórica	15.6 X 1.78 Ref. 51
59	#O-RING	1	O-Ring	Joint Torique	O-Ring	Junta Tórica	18 X 2.5 Ref. 51
60	#O-RING	2	O-Ring	Joint Torique	O-Ring	Junta Tórica	15 X 2 Ref. 51





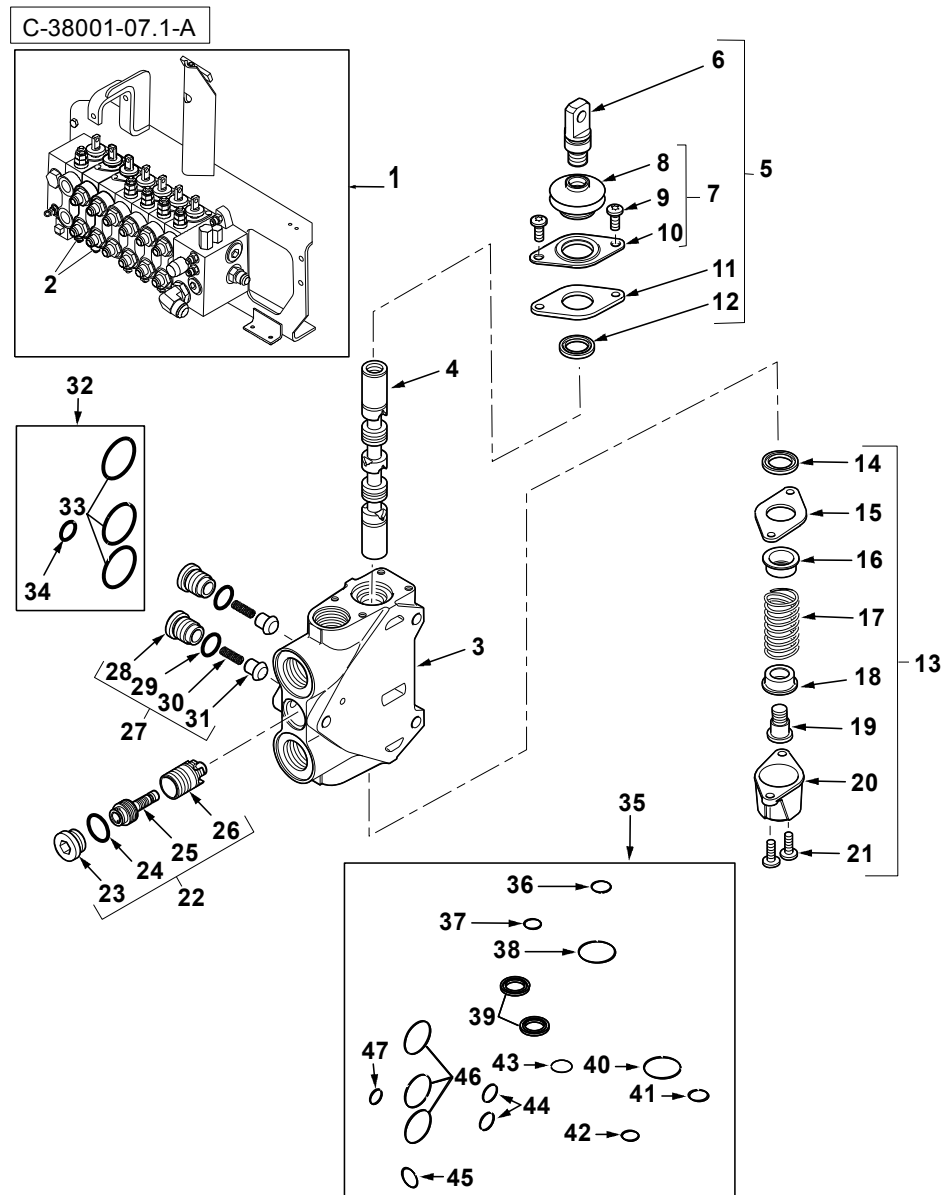
<b>Item</b>	<b>Part No.</b>	<b>Qty.</b>	<b>English</b>	<b>French</b>	<b>German</b>	<b>Spanish</b>	<b>Remarks</b>
61	#O-RING	1	O-Ring	Joint Torique	O-Ring	Junta Tórica	19.4 X 2.1 Ref. 51
62	#O-RING	3	O-Ring	Joint Torique	O-Ring	Junta Tórica	29.82 X 2.62 Ref. 51
63	#O-RING	1	O-Ring	Joint Torique	O-Ring	Junta Tórica	10.77 X 2.62 Ref. 51





Item	Part No.	Qty.	English	French	German	Spanish	Remarks
1	6109206M91	1	Valve-7sp Mech. Ss 08/401/331	Ensemble Distribution	Steuerventilblock Kpl.	Distribuidor, Conj.	Continued
2	#VALVE ASSY	2	Valve Assy	Valve Assy	Valve Assy	Valve Assy	
3	#BODY	1	Body	Body	Body	Body	Ref. 2
4	#SPOOL	1	Spool	Spool	Spool	Spool	Ref. 2
5	6193780M91	1	Kit - Mechanical Optd Z1	Lot De Pièces	Ersatzteilpaket	Juego De Piezas	
6	#SCREW	1	Screw	Vis	Schraube	Tornillo	Ref. 5
7	6193783M91	1	Bellows Kit	Lot De Pieces	Dichtung	Juego De Piezas	
8	#SEAL	1	Seal	Joint Étanchéité	Dichtring	Retén	Ref. 7
9	#SCREW	1	Screw	Vis	Schraube	Tornillo	Ref. 7
10	#COVER	2	Cover	Cover	Cover	Cover	Ref. 7
11	#PLATE	1	Plate	Plaque	Platte	Plato	Ref. 5
12	6194492M1	1	Lip Seal - Rexorth Ref: 8100160	Joint Étanchéité	Dichtring	Junta	
13	6193784M91	1	Mechanical Optd Kit	Lot De Pièces	Ersatzteilpaket	Juego De Piezas	
14	6194492M1	1	Lip Seal - Rexorth Ref: 8100160	Joint Étanchéité	Dichtring	Junta	
15	#PLATE	1	Plate	Plaque	Platte	Plato	Ref. 13
16	#HOLDER	1	Holder	Holder	Holder	Holder	Ref. 13
17	#SPRING	1	Spring	Ressort	Feder	Muelle	Ref. 13
18	#HOLDER	1	Holder	Holder	Holder	Holder	Ref. 13
19	#SCREW	1	Screw	Vis	Schraube	Tornillo	Ref. 13
20	#CAP	1	Cap	Chapeau	Kappe	Tapa	Ref. 13
21	#SCREW	2	Screw	Vis	Schraube	Tornillo	Ref. 13
22	6193774M91	1	Kit - Compensator	Ensemble De Soupape	Ventil Kpl.	Válvula, Conj.	
23	#PLUG	1	Plug	Plug	Plug	Plug	Ref. 22
24	#O-RING	1	O-Ring	Joint Torique	O-Ring	Junta Tórica	Ref. 22
25	#VALVE	1	Valve	Soupape	Ventil	Válvula	Ref. 22
26	#BODY	1	Body	Body	Body	Body	Ref. 22
27	6193775M91	2	Check Valve Kit	Clapet Anti-Retour	Rückschlagventil	Válvula De Parada	
28	#PLUG	1	Plug	Plug	Plug	Plug	Ref. 27
29	#O-RING	1	O-Ring	Joint Torique	O-Ring	Junta Tórica	Ref. 27
30	#SPRING	1	Spring	Ressort	Feder	Muelle	Ref. 27

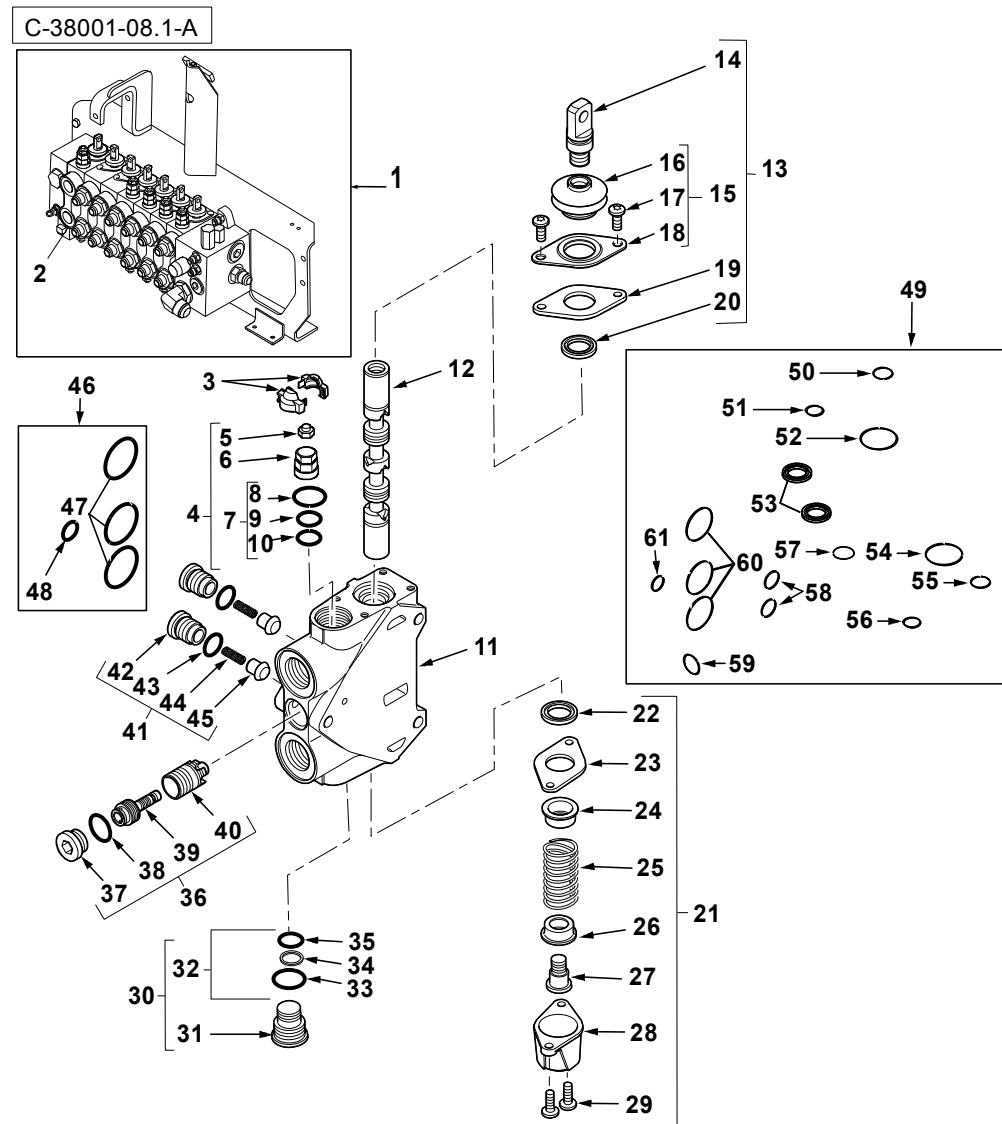






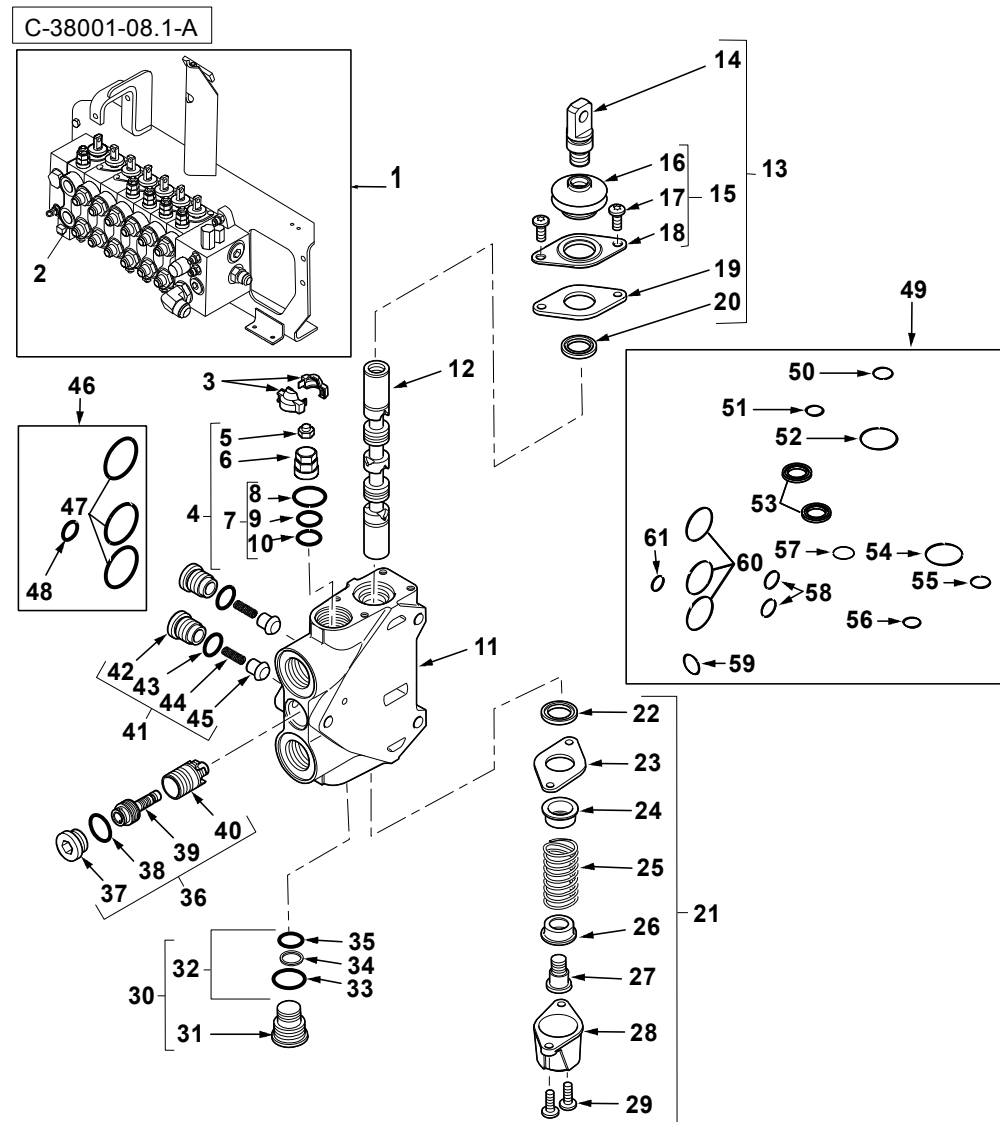
Item	Part No.	Qty.	English	French	German	Spanish	Remarks
31	#VALVE	1	Valve	Soupape	Ventil	Válvula	Ref. 27
32	6193771M91	1	Seal Interface Kit	Pochette De Joints	Dichtsatz	Juego De Juntas	
33	#O-RING	3	O-Ring	Joint Torique	O-Ring	Junta Tórica	Ref. 32
34	#O-RING	1	O-Ring	Joint Torique	O-Ring	Junta Tórica	Ref. 32
35	6193781M91	0	Seal Kit Complete	Jeu Etancheite	Dichtringsatz	Juege De Juntas	
36	#O-RING	1	O-Ring	Joint Torique	O-Ring	Junta Tórica	18.77 X 1.78 Ref. 35
37	#O-RING	1	O-Ring	Joint Torique	O-Ring	Junta Tórica	15.6 X 1.78 Ref. 35
38	#O-RING	1	O-Ring	Joint Torique	O-Ring	Junta Tórica	36.3 X 1.78 Ref. 35
39	6194492M1	2	Lip Seal - Rexorth Ref: 8100160	Joint Étanchéité	Dichtring	Junta	
40	#O-RING	1	O-Ring	Joint Torique	O-Ring	Junta Tórica	36.3 X 1.78 Ref. 35
41	#O-RING	1	O-Ring	Joint Torique	O-Ring	Junta Tórica	18.77 X 1.78 Ref. 35
42	#O-RING	1	O-Ring	Joint Torique	O-Ring	Junta Tórica	15.6 X 1.78 Ref. 35
43	#O-RING	1	O-Ring	Joint Torique	O-Ring	Junta Tórica	18 X 2.5 Ref. 35
44	#O-RING	2	O-Ring	Joint Torique	O-Ring	Junta Tórica	15 X 2 Ref. 35
45	#O-RING	1	O-Ring	Joint Torique	O-Ring	Junta Tórica	19.4 X 2.1 Ref. 35
46	#O-RING	3	O-Ring	Joint Torique	O-Ring	Junta Tórica	29.82 X 2.62 Ref. 35
47	#O-RING	1	O-Ring	Joint Torique	O-Ring	Junta Tórica	10.77 X 2.62 Ref. 35





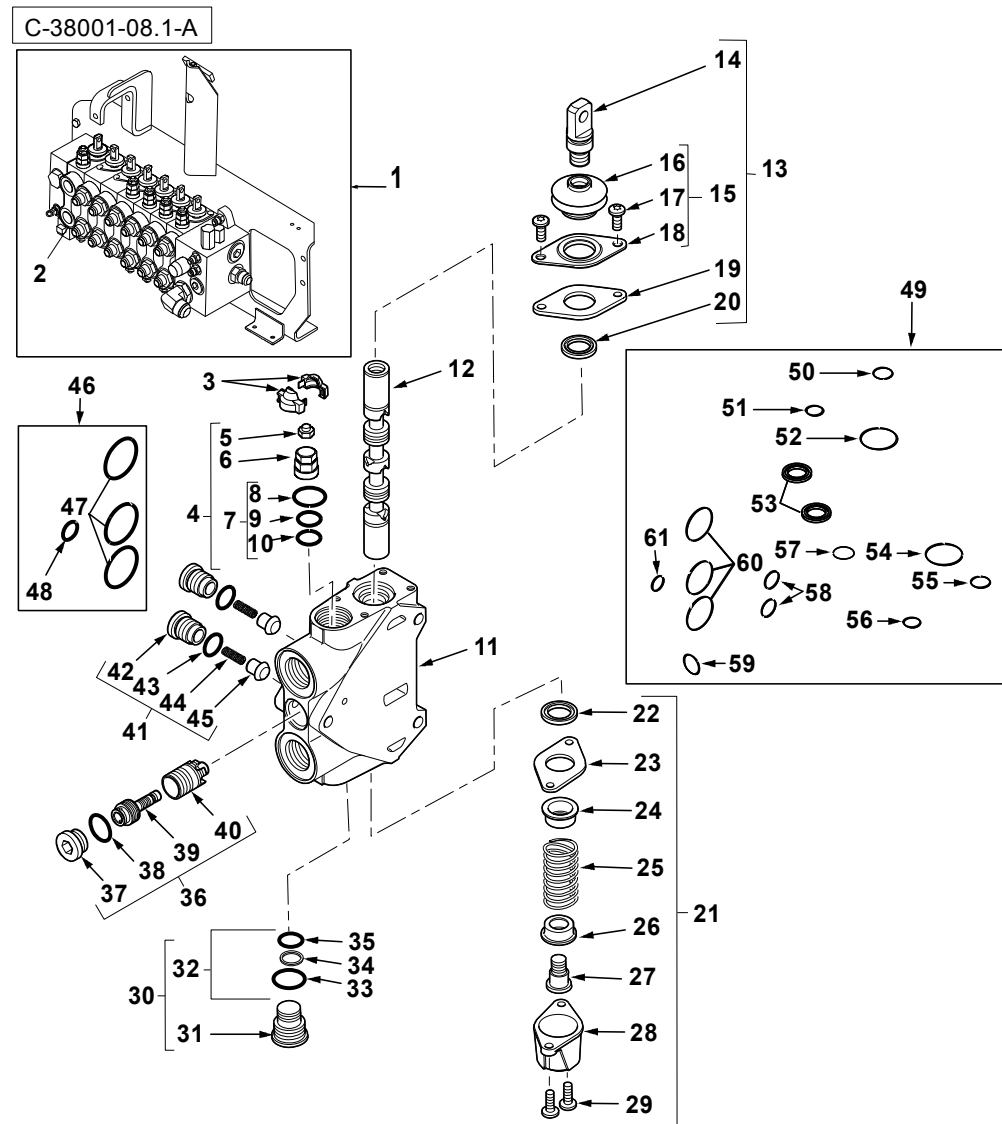
Item	Part No.	Qty.	English	French	German	Spanish	Remarks
1	6109206M91	1	Valve-7sp Mech. Ss 08/401/331	Ensemble Distribution	Steuerventilblock Kpl.	Distribuidor, Conj.	Continued
2	#VALVE ASSY	1	Valve Assy	Valve Assy	Valve Assy	Valve Assy	
3	#COVER	0	Cover	Cover	Cover	Cover	Ref. 2
4	6193799M91	1	Pressure Relief Valve H (155 Bar)	Valve Decharge	Druckbegrventil	Válvula De Seguridad	
5	#NUT	1	Nut	Ecrou	Mutter	Tuerca	Ref. 4
6	#VALVE	1	Valve	Soupape	Ventil	Válvula	Ref. 4
7	6193779M91	1	Seal Kit - Relief Valve	Jeu Étanchéité	Dichtringsatz	Juego De Juntas	
8	#O-RING	1	O-Ring	Joint Torique	O-Ring	Junta Tórica	Ref. 7
9	#O-RING	1	O-Ring	Joint Torique	O-Ring	Junta Tórica	Ref. 7
10	#O-RING	1	O-Ring	Joint Torique	O-Ring	Junta Tórica	Ref. 7
11	#BODY	1	Body	Body	Body	Body	Ref. 2
12	#SPOOL	1	Spool	Spool	Spool	Spool	Ref. 2
13	6193780M91	1	Kit - Mechanical Optd Z1	Lot De Pièces	Ersatzteilpaket	Juego De Piezas	
14	#SCREW	1	Screw	Vis	Schraube	Tornillo	Ref. 13
15	6193783M91	1	Bellows Kit	Lot De Pieces	Dichtung	Juego De Piezas	
16	#SEAL	1	Seal	Joint Étanchéité	Dichtring	Retén	Ref. 15
17	#SCREW	1	Screw	Vis	Schraube	Tornillo	Ref. 15
18	#COVER	2	Cover	Cover	Cover	Cover	Ref. 15
19	#PLATE	1	Plate	Plaque	Platte	Plato	Ref. 13
20	6194492M1	1	Lip Seal - Rexorth Ref: 8100160	Joint Étanchéité	Dichtring	Junta	
21	6193784M91	1	Mechanical Optd Kit	Lot De Pièces	Ersatzteilpaket	Juego De Piezas	
22	6194492M1	1	Lip Seal - Rexorth Ref: 8100160	Joint Étanchéité	Dichtring	Junta	
23	#PLATE	1	Plate	Plaque	Platte	Plato	Ref. 21
24	#HOLDER	1	Holder	Holder	Holder	Holder	Ref. 21
25	#SPRING	1	Spring	Ressort	Feder	Muelle	Ref. 21
26	#HOLDER	1	Holder	Holder	Holder	Holder	Ref. 21
27	#SCREW	1	Screw	Vis	Schraube	Tornillo	Ref. 21
28	#CAP	1	Cap	Chapeau	Kappe	Tapa	Ref. 21
29	#SCREW	2	Screw	Vis	Schraube	Tornillo	Ref. 21
30	6193785M91	1	Plug Q - Port B	Bouchon	Stopfen	Tapón, Conj.	





Item	Part No.	Qty.	English	French	German	Spanish	Remarks
31	#PLUG	1	Plug	Plug	Plug	Plug	Ref. 30
32	6193779M91	1	Seal Kit - Relief Valve	Jeu Étanchéité	Dichtringsatz	Juego De Juntas	
33	#O-RING	1	O-Ring	Joint Torique	O-Ring	Junta Tórica	Ref. 32
34	#O-RING	1	O-Ring	Joint Torique	O-Ring	Junta Tórica	Ref. 32
35	#O-RING	1	O-Ring	Joint Torique	O-Ring	Junta Tórica	Ref. 32
36	6193792M91	1	Compensator Kit	Ensemble De Soupape	Ventil Kpl.	Válvula, Conj.	
37	#PLUG	1	Plug	Plug	Plug	Plug	Ref. 36
38	#O-RING	1	O-Ring	Joint Torique	O-Ring	Junta Tórica	Ref. 36
39	#VALVE	1	Valve	Soupape	Ventil	Válvula	Ref. 36
40	#BODY	1	Body	Body	Body	Body	Ref. 36
41	6193775M91	2	Check Valve Kit	Clapet Anti-Retour	Rückschlagventil	Válvula De Parada	
42	#PLUG	1	Plug	Plug	Plug	Plug	Ref. 41
43	#O-RING	1	O-Ring	Joint Torique	O-Ring	Junta Tórica	Ref. 41
44	#SPRING	1	Spring	Ressort	Feder	Muelle	Ref. 41
45	#VALVE	1	Valve	Soupape	Ventil	Válvula	Ref. 41
46	6193771M91	1	Seal Interface Kit	Pochette De Joints	Dichtsatz	Juego De Juntas	
47	#O-RING	3	O-Ring	Joint Torique	O-Ring	Junta Tórica	Ref. 46
48	#O-RING	1	O-Ring	Joint Torique	O-Ring	Junta Tórica	Ref. 46
49	6193781M91	0	Seal Kit Complete	Jeu Etancheite	Dichtringsatz	Juege De Juntas	
50	#O-RING	1	O-Ring	Joint Torique	O-Ring	Junta Tórica	18.77 X 1.78 Ref. 49
51	#O-RING	1	O-Ring	Joint Torique	O-Ring	Junta Tórica	15.6 X 1.78 Ref. 49
52	#O-RING	1	O-Ring	Joint Torique	O-Ring	Junta Tórica	36.3 X 1.78 Ref. 49
53	6194492M1	2	Lip Seal - Rexorth Ref: 8100160	Joint Étanchéité	Dichtring	Junta	
54	#O-RING	1	O-Ring	Joint Torique	O-Ring	Junta Tórica	36.3 X 1.78 Ref. 49
55	#O-RING	1	O-Ring	Joint Torique	O-Ring	Junta Tórica	18.77 X 1.78 Ref. 49
56	#O-RING	1	O-Ring	Joint Torique	O-Ring	Junta Tórica	15.6 X 1.78 Ref. 49
57	#O-RING	1	O-Ring	Joint Torique	O-Ring	Junta Tórica	18 X 2.5 Ref. 49
58	#O-RING	2	O-Ring	Joint Torique	O-Ring	Junta Tórica	15 X 2 Ref. 49
59	#O-RING	1	O-Ring	Joint Torique	O-Ring	Junta Tórica	19.4 X 2.1 Ref. 49
60	#O-RING	3	O-Ring	Joint Torique	O-Ring	Junta Tórica	29.82 X 2.62 Ref. 49

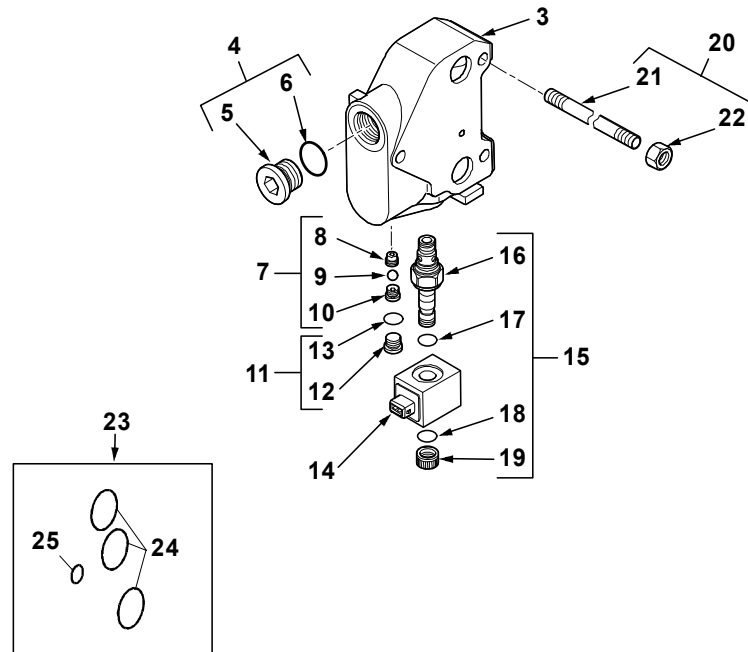
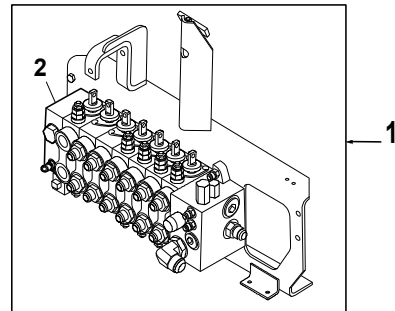




<b>Item</b>	<b>Part No.</b>	<b>Qty.</b>	<b>English</b>	<b>French</b>	<b>German</b>	<b>Spanish</b>	<b>Remarks</b>
61	#O-RING	1	O-Ring	Joint Torique	O-Ring	Junta Tórica	10.77 X 2.62 Ref. 49



C-38001-09.1-A

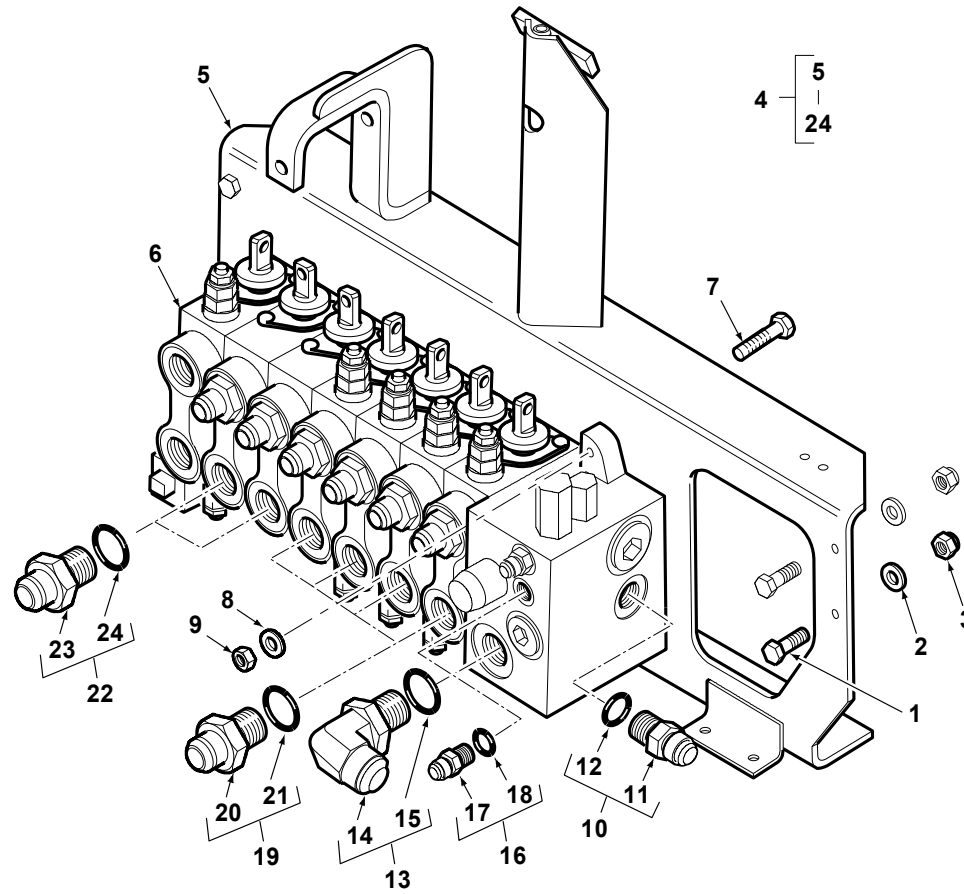




Item	Part No.	Qty.	English	French	German	Spanish	Remarks
1	6109206M91	1	Valve-7sp Mech. Ss 08/401/331	Ensemble Distribution	Steuerventilblock Kpl.	Distribuidor, Conj.	Continued
2	#VALVE ASSY	1	Valve Assy	Valve Assy	Valve Assy	Valve Assy	
3	#BODY	1	Body	Body	Body	Body	Ref. 2
4	6193773M91	1	Plug For P 1.1/16 Unf	Bouchon	Stopfen	Tapón, Conj.	
5	#PLUG	1	Plug	Plug	Plug	Plug	Ref. 4
6	#O-RING	1	O-Ring	Joint Torique	O-Ring	Junta Tórica	Ref. 4
7	6193793M91	1	Shuttle Throttle Kit	Lot De Pièces	Ersatzteilpaket	Juego De Piezas	
8	#GUIDE	1	Guide	Guide	Guide	Guide	Ref. 7
9	#BALL	1	Ball	Ball	Ball	Ball	Ref. 7
10	#SPRING	1	Spring	Ressort	Feder	Muelle	Ref. 7
11	6193795M91	1	Plug 9/16" Unf	Bouchon	Stopfen	Tapón, Conj.	
12	#PLUG	1	Plug	Plug	Plug	Plug	Ref. 11
13	#O-RING	1	O-Ring	Joint Torique	O-Ring	Junta Tórica	Ref. 11
14	6193794M1	1	Solenoid	Solénoïde	Magnetspule	Solenoid	
15	6193796M91	1	2 Way Valve Kit	Jeu De Soupapes	Ventilsatz	Juego De Válvulas	
16	#VALVE	1	Valve	Soupape	Ventil	Válvula	Ref. 15
17	#O-RING	1	O-Ring	Joint Torique	O-Ring	Junta Tórica	Ref. 15
18	#O-RING	1	O-Ring	Joint Torique	O-Ring	Junta Tórica	Ref. 15
19	#CAP	1	Cap	Chapeau	Kappe	Tapa	Ref. 15
20	#TIE ROD ASSY	3	Rod Assy	Rod Assy	Rod Assy	Rod Assy	
21	#ROD	1	Rod	Rod	Rod	Rod	Ref. 20
22	#NUT	1	Nut	Ecrou	Mutter	Tuerca	Ref. 20
23	6193771M91	0	Seal Interface Kit	Pochette De Joints	Dichtsatz	Juego De Juntas	
24	#O-RING	3	O-Ring	Joint Torique	O-Ring	Junta Tórica	Ref. 23
25	#O-RING	1	O-Ring	Joint Torique	O-Ring	Junta Tórica	Ref. 23



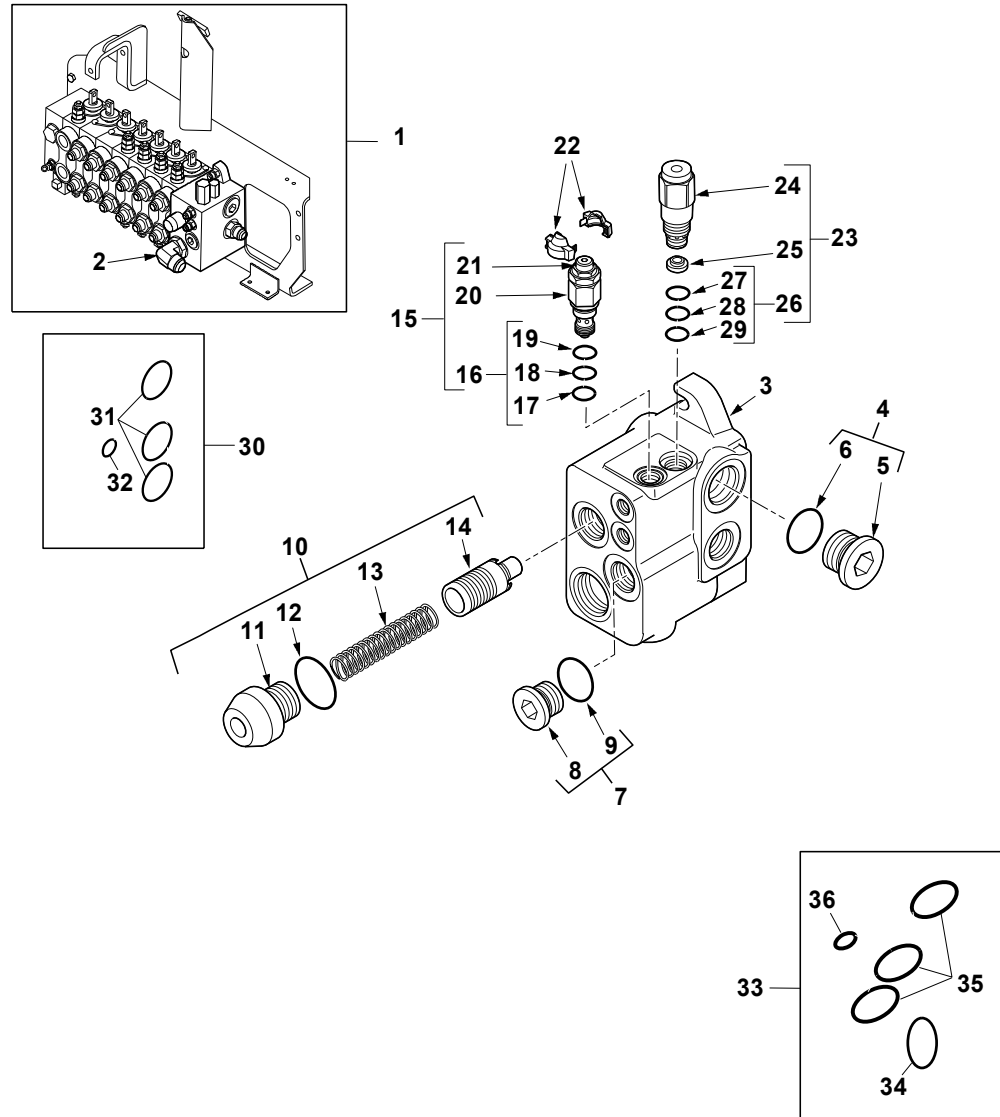
C-38002-01.1-A



Item	Part No.	Qty.	English	French	German	Spanish	Remarks
1	3009493X1	4	Bolt M10-30 Z5c	Boulon M10 X 30	Maschschraube M10	Perno	
2	385362X1	4	Washer, Hardened - M10	Rondelle - M10	Unterlegscheibe M10	Arandela	
3	1440329X1	4	Nut, Hex. - Nyloc, M10	Ecrou Blocage	Flachmutter M10	Tuerca De Retención	
4	6109378M91	1	Valve Assy - Digger Cm Rexroth	Ensemble Distribution	Steuerventilblock Kpl.	Distribuidor, Conj.	
5	6109344M93	1	Bracket- Digger Valve W/Assy	Ensemble Chaise Pali	Bremsanlage	Cuchara, Conj.	
6	6109457M91	1	Digger Valve - 7 Spool Mech C/M	Ensemble Distribution	Steuerventilblock Kpl.	Distribuidor, Conj.	
7	3009496X1	3	Bolt Hex - M10 X 45 (Coarse)	Boulon M10 X 45	Maschschraube - M10	Tornillo	
8	385362X1	3	Washer, Hardened - M10	Rondelle - M10	Unterlegscheibe M10	Arandela	
9	1440329X1	3	Nut, Hex. - Nyloc, M10	Ecrou Blocage	Flachmutter M10	Tuerca De Retención	
10	835057M91	1	Connector B1510m-12-12	Raccord	Schraubanschluss	Conexión, Conj.	
11	#UNION	1	Union	Union	Union	Union	Ref. 10
12	835025M1	1	Ring O	Joint Torique	O Ring	Junta De Tipo O	
13	358766X91	1	Elbow 90deg	Coude	Kniestück, 90	Codo, 90°	
14	#ELBOW	1	Elbow	Elbow	Elbow	Elbow	Ref. 13
15	835026M1	1	O-Ring	Joint Torique	O-Ring	Junta De Tipo O	
16	835091M91	2	Connector 9/16 Unf	Borne	Doppelnippel	Unión	
17	#UNION	1	Union	Union	Union	Union	Ref. 16
18	831452M1	1	O Ring (Pack Of 10)	Joint Torique	O Ring	Junta De Tipo O	
19	365715X91	8	Connector, Hydr.-Straight, 1 1/16 X 7/8	Borne	Doppelnippel	Conexión, Conj.	
20	#UNION	1	Union	Union	Union	Union	Ref. 19
21	835025M1	1	Ring O	Joint Torique	O Ring	Junta De Tipo O	
22	365713X91	4	Connector 1.1/16 - 3/4	Montage	Anschlverschrbg	Unión	
23	#UNION	1	Union	Union	Union	Union	Ref. 22
24	835025M1	1	Ring O	Joint Torique	O Ring	Junta De Tipo O	



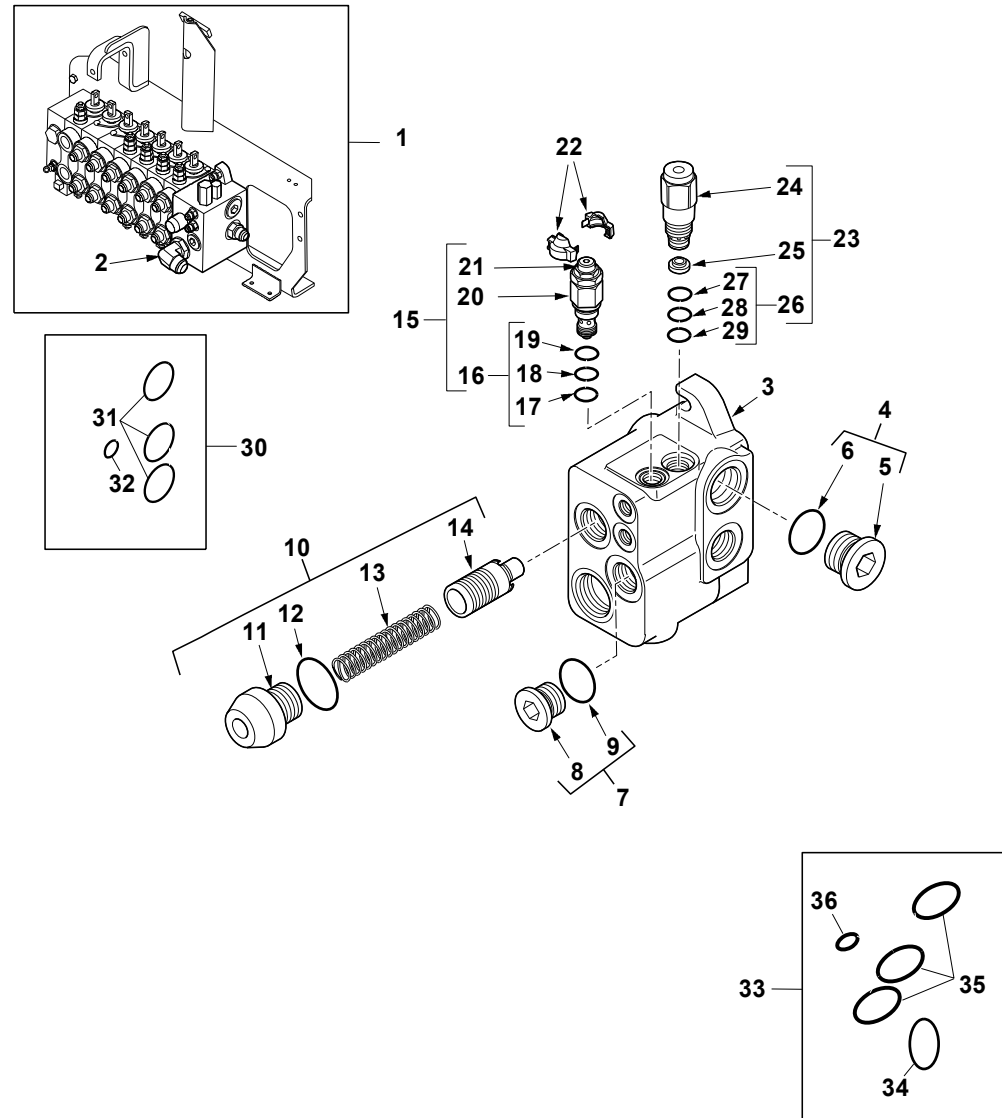
C-38002-02.1-A



Item	Part No.	Qty.	English	French	German	Spanish	Remarks
1	6109457M91	1	Digger Valve - 7 Spool Mech C/M	Ensemble Distribution	Steuerventilblock Kpl.	Distribuidor, Conj.	
2	#VALVE ASSY	1	Valve Assy	Valve Assy	Valve Assy	Valve Assy	Inlet
3	#BODY	1	Body	Body	Body	Body	Ref. 2
4	6193772M91	1	Plug For T Port 5/16 Unf	Bouchon	Stopfen	Tapón, Conj.	
5	#PLUG	1	Plug	Plug	Plug	Plug	Ref. 4
6	#O-RING	1	O-Ring	Joint Torique	O-Ring	Junta Tórica	Ref. 4
7	6193773M91	1	Plug For P 1.1/16 Unf	Bouchon	Stopfen	Tapón, Conj.	
8	#PLUG	1	Plug	Plug	Plug	Plug	Ref. 7
9	#O-RING	1	O-Ring	Joint Torique	O-Ring	Junta Tórica	Ref. 7
10	6193786M91	1	Regulating Kit	Ens. Soupape Pression	Druckventil Kpl.	Válvula Presión, Conj.	
11	#VALVE	1	Valve	Soupape	Ventil	Válvula	Ref. 10
12	#O-RING	1	O-Ring	Joint Torique	O-Ring	Junta Tórica	Ref. 10
13	#SPRING	1	Spring	Ressort	Feder	Muelle	Ref. 10
14	#BODY	1	Body	Body	Body	Body	Ref. 10
15	6193787M91	1	Ls Pressure Relief Valve	Soupape De Sécurité	Überdruckventil	Válvula De Seguridad	
16	6193791M91	1	Seal Kit - L/S Valve	Jeu Étanchéité	Dichtringsatz	Juego De Juntas	
17	#O-RING	1	O-Ring	Joint Torique	O-Ring	Junta Tórica	Ref. 17
18	#O-RING	1	O-Ring	Joint Torique	O-Ring	Junta Tórica	Ref. 17
19	#O-RING	1	O-Ring	Joint Torique	O-Ring	Junta Tórica	Ref. 17
20	#VALVE	1	Valve	Soupape	Ventil	Válvula	Ref. 16
21	#NUT	1	Nut	Ecrou	Mutter	Tuerca	Ref. 16
22	#COVER	0	Cover	Cover	Cover	Cover	Ref. 2
23	6193788M91	1	Flow Regulator 0.7 Lt/Min + Filter	Valve Anti-Surdébit	Begrenzungsventil	Válv. Antisobrecaud.	
24	#VALVE	1	Valve	Soupape	Ventil	Válvula	Ref. 24
25	#ELEMENT	1	Element	Element	Element	Element	Ref. 24
26	6193790M91	1	Seal Kit - Flow Regulator	Jeu Étanchéité	Dichtringsatz	Juego De Juntas	
27	#O-RING	1	O-Ring	Joint Torique	O-Ring	Junta Tórica	Ref. 27
28	#O-RING	1	O-Ring	Joint Torique	O-Ring	Junta Tórica	Ref. 27
29	#O-RING	1	O-Ring	Joint Torique	O-Ring	Junta Tórica	Ref. 27
30	6193771M91	1	Seal Interface Kit	Pochette De Joints	Dichtsatz	Juego De Juntas	

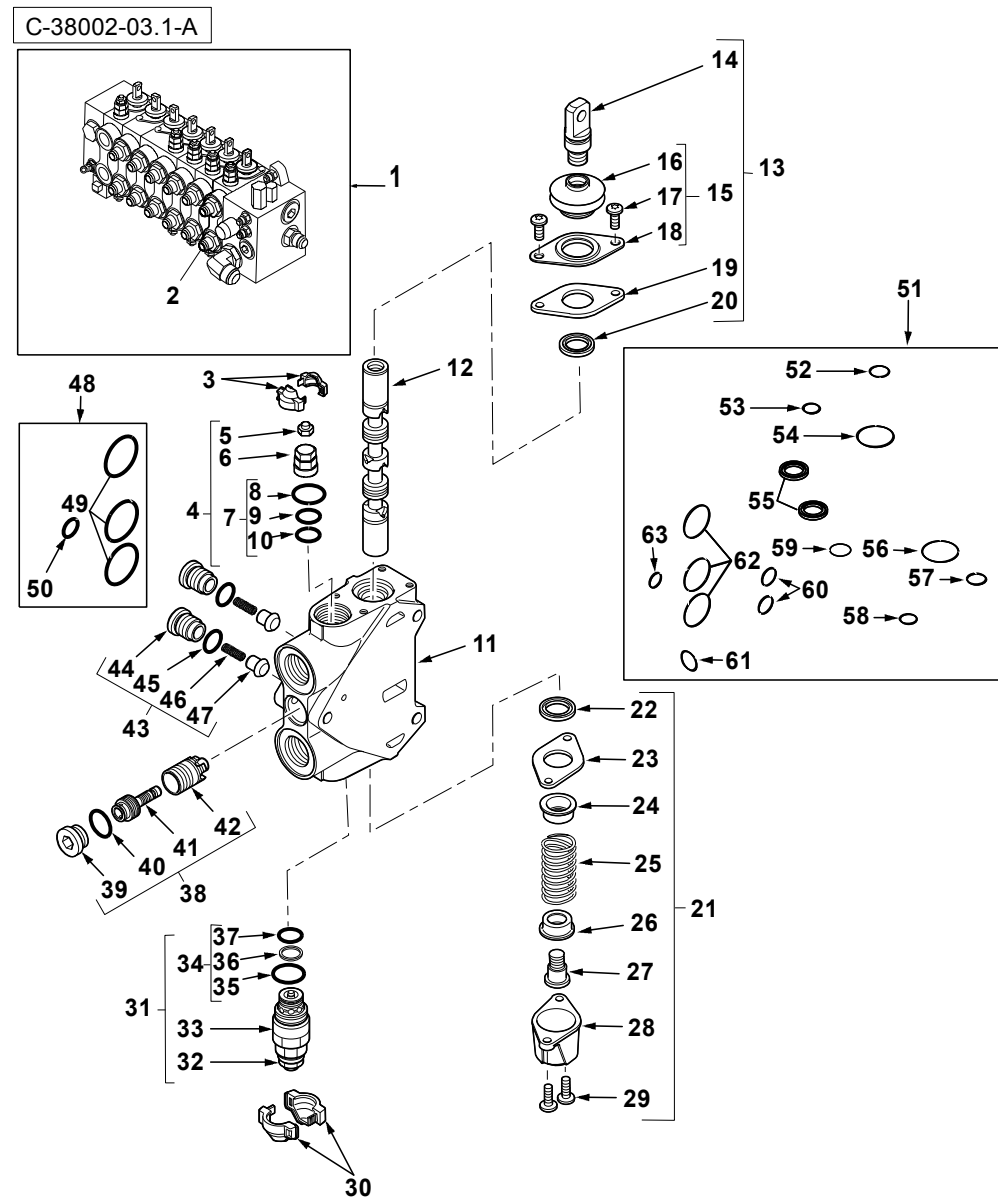


C-38002-02.1-A



Item	Part No.	Qty.	English	French	German	Spanish	Remarks
31	#O-RING	3	O-Ring	Joint Torique	O-Ring	Junta Tórica	Ref. 31
32	#O-RING	1	O-Ring	Joint Torique	O-Ring	Junta Tórica	Ref. 31
33	6193789M91	1	Seal Kit - Inlet Element	Jeu Étanchéité	Dichtringsatz	Juego De Juntas	
34	#O-RING	1	O-Ring	Joint Torique	O-Ring	Junta Tórica	Ref. 35
35	#O-RING	3	O-Ring	Joint Torique	O-Ring	Junta Tórica	Ref. 35
36	#O-RING	1	O-Ring	Joint Torique	O-Ring	Junta Tórica	Ref. 35

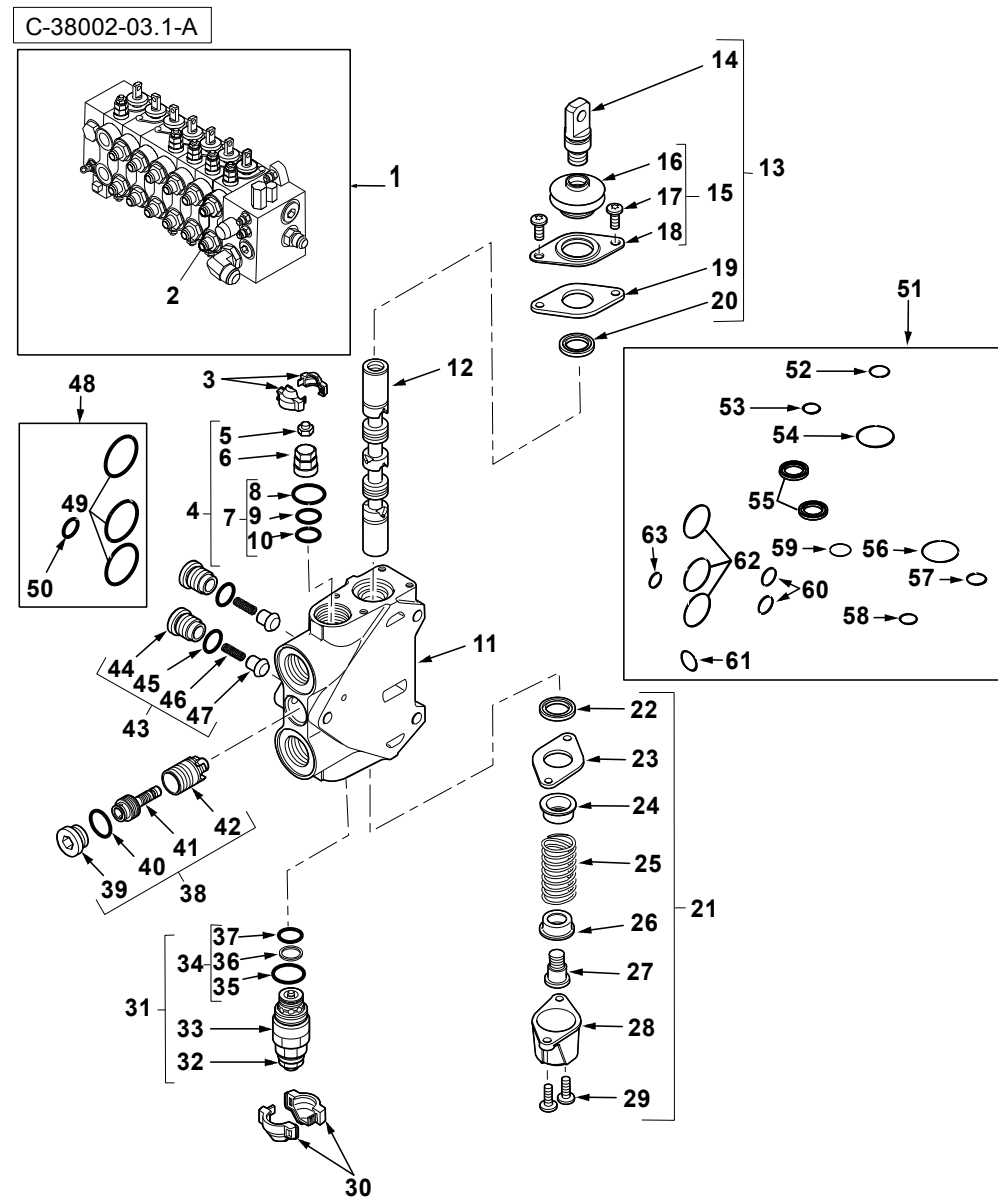






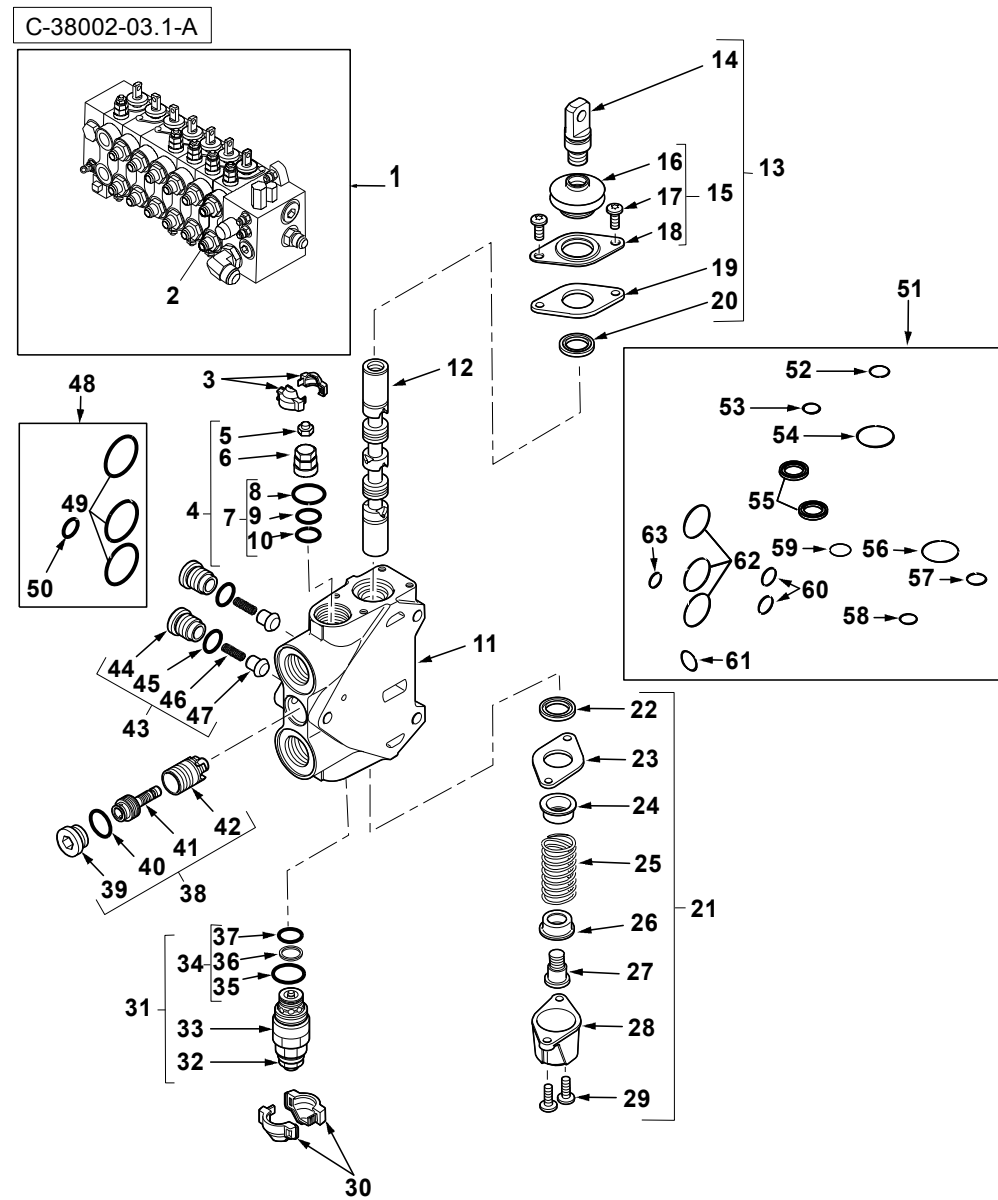
Item	Part No.	Qty.	English	French	German	Spanish	Remarks
1	6109457M91	1	Digger Valve - 7 Spool Mech C/M	Ensemble Distribution	Steuerventilblock Kpl.	Distribuidor, Conj.	Continued
2	#VALVE ASSY	1	Valve Assy	Valve Assy	Valve Assy	Valve Assy	
3	#COVER	0	Cover	Cover	Cover	Cover	Ref. 2
4	6193800M91	1	Pressure Relief Valve H 240 Bar	Valve Decharge	Druckbegrventil	Válvula De Seguridad	
5	#NUT	1	Nut	Ecrou	Mutter	Tuerca	Ref. 4
6	#VALVE	1	Valve	Soupape	Ventil	Válvula	Ref. 4
7	6193779M91	1	Seal Kit - Relief Valve	Jeu Étanchéité	Dichtringsatz	Juego De Juntas	
8	#O-RING	1	O-Ring	Joint Torique	O-Ring	Junta Tórica	Ref. 7
9	#O-RING	1	O-Ring	Joint Torique	O-Ring	Junta Tórica	Ref. 7
10	#O-RING	1	O-Ring	Joint Torique	O-Ring	Junta Tórica	Ref. 7
11	#BODY	1	Body	Body	Body	Body	Ref. 2
12	#SPOOL	1	Spool	Spool	Spool	Spool	Ref. 2
13	6193780M91	1	Kit - Mechanical Optd Z1	Lot De Pièces	Ersatzteilpaket	Juego De Piezas	
14	#SCREW	1	Screw	Vis	Schraube	Tornillo	Ref. 13
15	6193783M91	1	Bellows Kit	Lot De Pieces	Dichtung	Juego De Piezas	
16	#SEAL	1	Seal	Joint Étanchéité	Dichtring	Retén	Ref. 15
17	#SCREW	1	Screw	Vis	Schraube	Tornillo	Ref. 15
18	#COVER	2	Cover	Cover	Cover	Cover	Ref. 15
19	#PLATE	1	Plate	Plaque	Platte	Plato	Ref. 13
20	6194492M1	1	Lip Seal - Rexorth Ref: 8100160	Joint Étanchéité	Dichtring	Junta	
21	6193784M91	1	Mechanical Optd Kit	Lot De Pièces	Ersatzteilpaket	Juego De Piezas	
22	6194492M1	1	Lip Seal - Rexorth Ref: 8100160	Joint Étanchéité	Dichtring	Junta	
23	#PLATE	1	Plate	Plaque	Platte	Plato	Ref. 21
24	#HOLDER	1	Holder	Holder	Holder	Holder	Ref. 21
25	#SPRING	1	Spring	Ressort	Feder	Muelle	Ref. 21
26	#HOLDER	1	Holder	Holder	Holder	Holder	Ref. 21
27	#SCREW	1	Screw	Vis	Schraube	Tornillo	Ref. 21
28	#CAP	1	Cap	Chapeau	Kappe	Tapa	Ref. 21
29	#SCREW	2	Screw	Vis	Schraube	Tornillo	Ref. 21
30	#COVER	0	Cover	Cover	Cover	Cover	Ref. 21





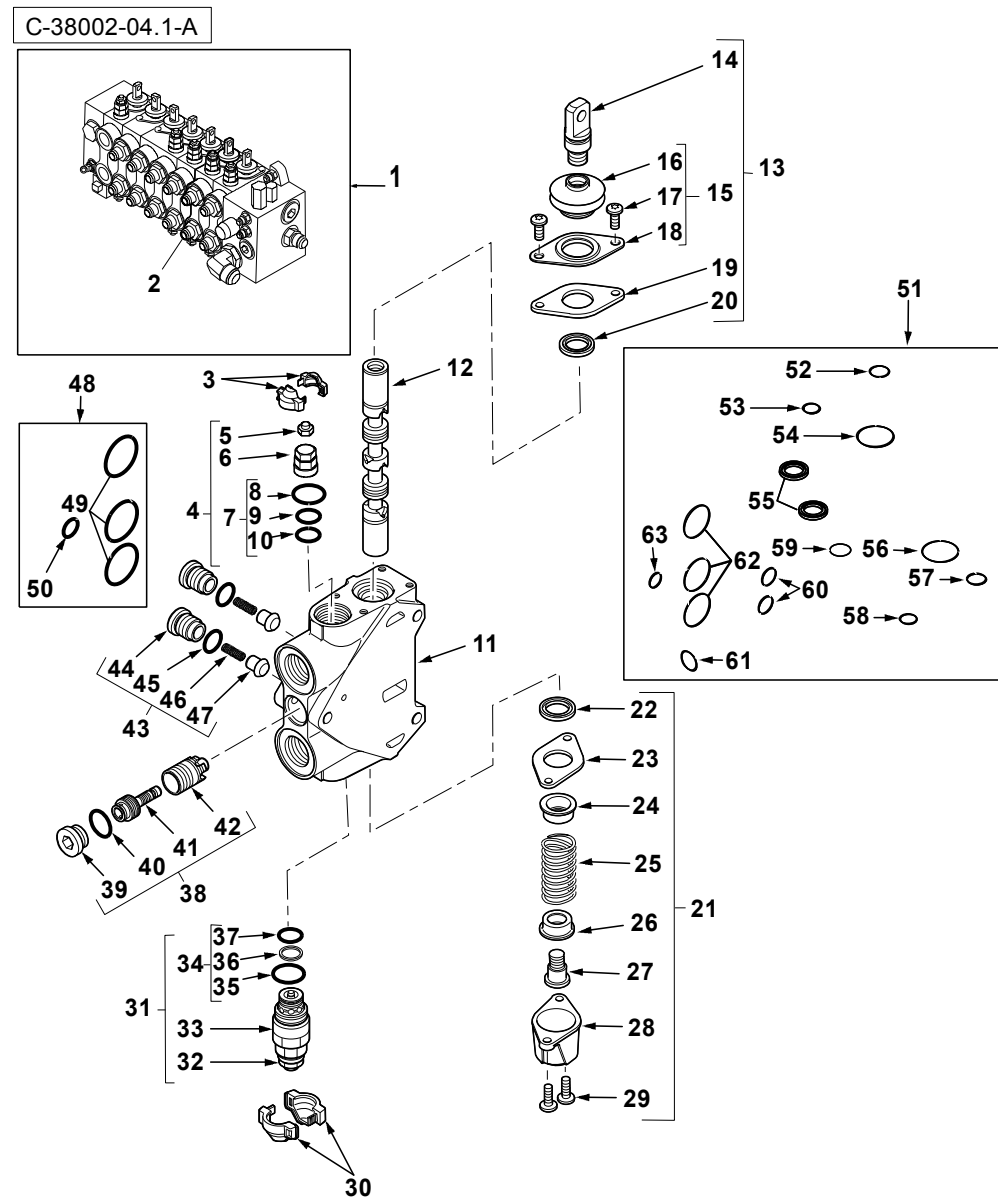
Item	Part No.	Qty.	English	French	German	Spanish	Remarks
31	6193800M91	1	Pressure Relief Valve H 240 Bar	Valve Decharge	Druckbegrentil	Válvula De Seguridad	
32	#NUT	1	Nut	Ecrou	Mutter	Tuerca	Ref. 31
33	#VALVE	1	Valve	Soupape	Ventil	Válvula	Ref. 31
34	6193779M91	1	Seal Kit - Relief Valve	Jeu Étanchéité	Dichtringsatz	Juego De Juntas	
35	#O-RING	1	O-Ring	Joint Torique	O-Ring	Junta Tórica	Ref. 34
36	#O-RING	1	O-Ring	Joint Torique	O-Ring	Junta Tórica	Ref. 34
37	#O-RING	1	O-Ring	Joint Torique	O-Ring	Junta Tórica	Ref. 34
38	6193774M91	1	Kit - Compensator	Ensemble De Soupape	Ventil Kpl.	Válvula, Conj.	
39	#PLUG	1	Plug	Plug	Plug	Plug	Ref. 38
40	#O-RING	1	O-Ring	Joint Torique	O-Ring	Junta Tórica	Ref. 38
41	#VALVE	1	Valve	Soupape	Ventil	Válvula	Ref. 38
42	#BODY	1	Body	Body	Body	Body	Ref. 38
43	6193775M91	2	Check Valve Kit	Clapet Anti-Retour	Rückschlagventil	Válvula De Parada	
44	#PLUG	1	Plug	Plug	Plug	Plug	Ref. 43
45	#O-RING	1	O-Ring	Joint Torique	O-Ring	Junta Tórica	Ref. 43
46	#SPRING	1	Spring	Ressort	Feder	Muelle	Ref. 43
47	#VALVE	1	Valve	Soupape	Ventil	Válvula	Ref. 43
48	6193771M91	1	Seal Interface Kit	Pochette De Joints	Dichtsatz	Juego De Juntas	
49	#O-RING	3	O-Ring	Joint Torique	O-Ring	Junta Tórica	Ref. 48
50	#O-RING	1	O-Ring	Joint Torique	O-Ring	Junta Tórica	Ref. 48
51	6193781M91	0	Seal Kit Complete	Jeu Etancheite	Dichtringsatz	Juege De Juntas	
52	#O-RING	1	O-Ring	Joint Torique	O-Ring	Junta Tórica	18.77 X 1.78 Ref. 51
53	#O-RING	1	O-Ring	Joint Torique	O-Ring	Junta Tórica	15.6 X 1.78 Ref. 51
54	#O-RING	1	O-Ring	Joint Torique	O-Ring	Junta Tórica	36.3 X 1.78 Ref. 51
55	6194492M1	2	Lip Seal - Rexorth Ref: 8100160	Joint Étanchéité	Dichtring	Junta	
56	#O-RING	1	O-Ring	Joint Torique	O-Ring	Junta Tórica	36.3 X 1.78 Ref. 51
57	#O-RING	1	O-Ring	Joint Torique	O-Ring	Junta Tórica	18.77 X 1.78 Ref. 51
58	#O-RING	1	O-Ring	Joint Torique	O-Ring	Junta Tórica	15.6 X 1.78 Ref. 51
59	#O-RING	1	O-Ring	Joint Torique	O-Ring	Junta Tórica	18 X 2.5 Ref. 51
60	#O-RING	2	O-Ring	Joint Torique	O-Ring	Junta Tórica	15 X 2 Ref. 51





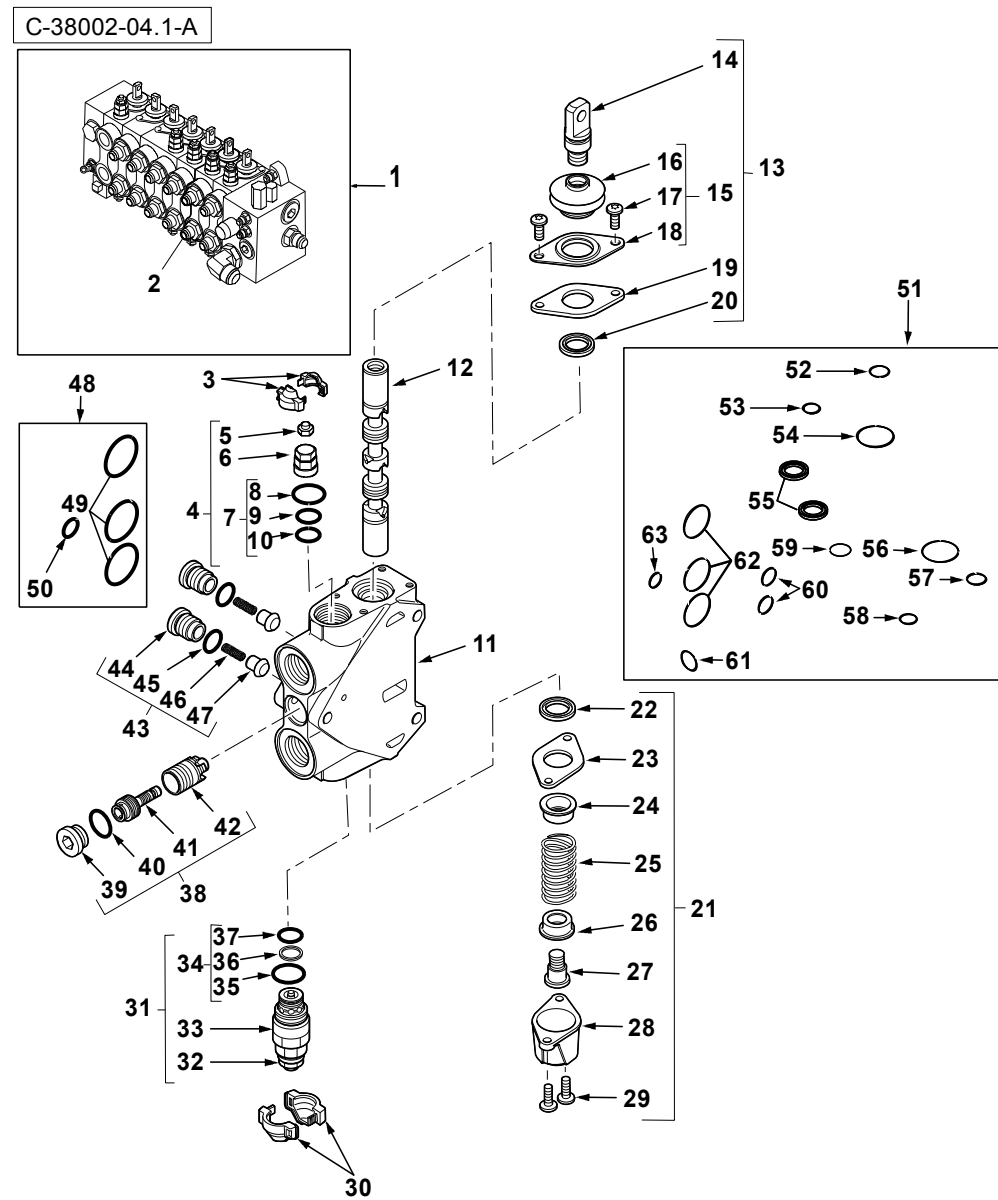
<b>Item</b>	<b>Part No.</b>	<b>Qty.</b>	<b>English</b>	<b>French</b>	<b>German</b>	<b>Spanish</b>	<b>Remarks</b>
61	#O-RING	1	O-Ring	Joint Torique	O-Ring	Junta Tórica	19.4 X 2.1 Ref. 51
62	#O-RING	3	O-Ring	Joint Torique	O-Ring	Junta Tórica	29.82 X 2.62 Ref. 51
63	#O-RING	1	O-Ring	Joint Torique	O-Ring	Junta Tórica	10.77 X 2.62 Ref. 51





Item	Part No.	Qty.	English	French	German	Spanish	Remarks
1	6109457M91	1	Digger Valve - 7 Spool Mech C/M	Ensemble Distribution	Steuerventilblock Kpl.	Distribuidor, Conj.	Continued
2	#VALVE ASSY	1	Valve Assy	Valve Assy	Valve Assy	Valve Assy	
3	#COVER	0	Cover	Cover	Cover	Cover	Ref. 2
4	6193800M91	1	Pressure Relief Valve H 240 Bar	Valve Decharge	Druckbegrventil	Válvula De Seguridad	
5	#NUT	1	Nut	Ecrou	Mutter	Tuerca	Ref. 4
6	#VALVE	1	Valve	Soupape	Ventil	Válvula	Ref. 4
7	6193779M91	1	Seal Kit - Relief Valve	Jeu Étanchéité	Dichtringsatz	Juego De Juntas	
8	#O-RING	1	O-Ring	Joint Torique	O-Ring	Junta Tórica	Ref. 7
9	#O-RING	1	O-Ring	Joint Torique	O-Ring	Junta Tórica	Ref. 7
10	#O-RING	1	O-Ring	Joint Torique	O-Ring	Junta Tórica	Ref. 7
11	#BODY	1	Body	Body	Body	Body	Ref. 2
12	#SPOOL	1	Spool	Spool	Spool	Spool	Ref. 2
13	6193780M91	1	Kit - Mechanical Optd Z1	Lot De Pièces	Ersatzteilpaket	Juego De Piezas	
14	#SCREW	1	Screw	Vis	Schraube	Tornillo	Ref. 13
15	6193783M91	1	Bellows Kit	Lot De Pieces	Dichtung	Juego De Piezas	
16	#SEAL	1	Seal	Joint Étanchéité	Dichtring	Retén	Ref. 15
17	#SCREW	1	Screw	Vis	Schraube	Tornillo	Ref. 15
18	#COVER	2	Cover	Cover	Cover	Cover	Ref. 15
19	#PLATE	1	Plate	Plaque	Platte	Plato	Ref. 13
20	6194492M1	1	Lip Seal - Rexorth Ref: 8100160	Joint Étanchéité	Dichtring	Junta	
21	6193784M91	1	Mechanical Optd Kit	Lot De Pièces	Ersatzteilpaket	Juego De Piezas	
22	6194492M1	1	Lip Seal - Rexorth Ref: 8100160	Joint Étanchéité	Dichtring	Junta	
23	#PLATE	1	Plate	Plaque	Platte	Plato	Ref. 21
24	#HOLDER	1	Holder	Holder	Holder	Holder	Ref. 21
25	#SPRING	1	Spring	Ressort	Feder	Muelle	Ref. 21
26	#HOLDER	1	Holder	Holder	Holder	Holder	Ref. 21
27	#SCREW	1	Screw	Vis	Schraube	Tornillo	Ref. 21
28	#CAP	1	Cap	Chapeau	Kappe	Tapa	Ref. 21
29	#SCREW	2	Screw	Vis	Schraube	Tornillo	Ref. 21
30	#COVER	0	Cover	Cover	Cover	Cover	Ref. 21

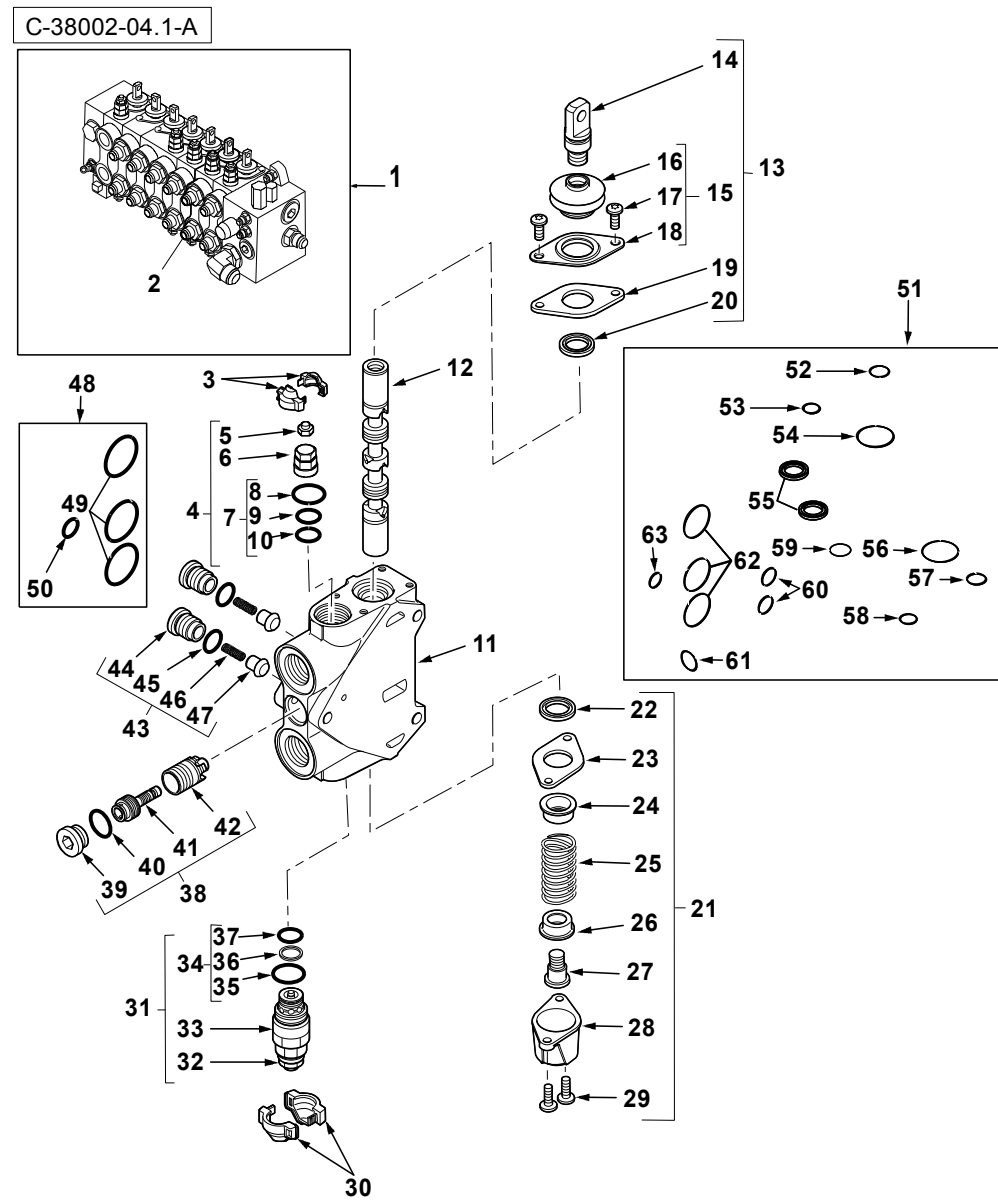






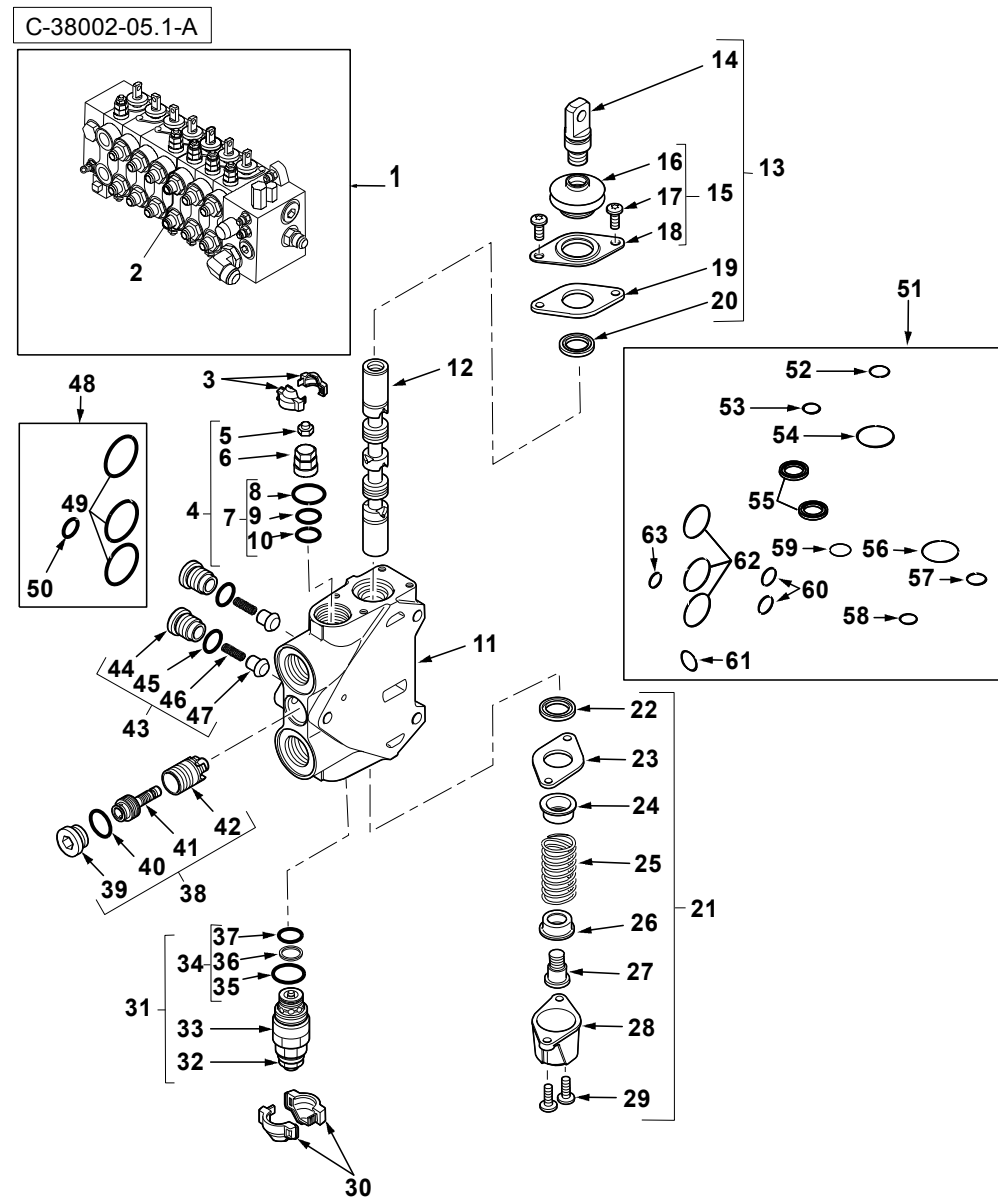
Item	Part No.	Qty.	English	French	German	Spanish	Remarks
31	6193804M91	1	Pressure Relief Valve H (310 Bar)	Valve Decharge	Druckbegrventil	Válvula De Seguridad	
32	#NUT	1	Nut	Ecrou	Mutter	Tuerca	Ref. 31
33	#VALVE	1	Valve	Soupape	Ventil	Válvula	Ref. 31
34	6193779M91	1	Seal Kit - Relief Valve	Jeu Étanchéité	Dichtringsatz	Juego De Juntas	
35	#O-RING	1	O-Ring	Joint Torique	O-Ring	Junta Tórica	Ref. 34
36	#O-RING	1	O-Ring	Joint Torique	O-Ring	Junta Tórica	Ref. 34
37	#O-RING	1	O-Ring	Joint Torique	O-Ring	Junta Tórica	Ref. 34
38	6193774M91	1	Kit - Compensator	Ensemble De Soupape	Ventil Kpl.	Válvula, Conj.	
39	#PLUG	1	Plug	Plug	Plug	Plug	Ref. 38
40	#O-RING	1	O-Ring	Joint Torique	O-Ring	Junta Tórica	Ref. 38
41	#VALVE	1	Valve	Soupape	Ventil	Válvula	Ref. 38
42	#BODY	1	Body	Body	Body	Body	Ref. 38
43	6193775M91	2	Check Valve Kit	Clapet Anti-Retour	Rückschlagventil	Válvula De Parada	
44	#PLUG	1	Plug	Plug	Plug	Plug	Ref. 43
45	#O-RING	1	O-Ring	Joint Torique	O-Ring	Junta Tórica	Ref. 43
46	#SPRING	1	Spring	Ressort	Feder	Muelle	Ref. 43
47	#VALVE	1	Valve	Soupape	Ventil	Válvula	Ref. 43
48	6193771M91	1	Seal Interface Kit	Pochette De Joints	Dichtsatz	Juego De Juntas	
49	#O-RING	3	O-Ring	Joint Torique	O-Ring	Junta Tórica	Ref. 48
50	#O-RING	1	O-Ring	Joint Torique	O-Ring	Junta Tórica	Ref. 48
51	6193781M91	0	Seal Kit Complete	Jeu Etancheite	Dichtringsatz	Juege De Juntas	
52	#O-RING	1	O-Ring	Joint Torique	O-Ring	Junta Tórica	18.77 X 1.78 Ref. 51
53	#O-RING	1	O-Ring	Joint Torique	O-Ring	Junta Tórica	15.6 X 1.78 Ref. 51
54	#O-RING	1	O-Ring	Joint Torique	O-Ring	Junta Tórica	36.3 X 1.78 Ref. 51
55	6194492M1	2	Lip Seal - Rexorth Ref: 8100160	Joint Étanchéité	Dichtring	Junta	
56	#O-RING	1	O-Ring	Joint Torique	O-Ring	Junta Tórica	36.3 X 1.78 Ref. 51
57	#O-RING	1	O-Ring	Joint Torique	O-Ring	Junta Tórica	18.77 X 1.78 Ref. 51
58	#O-RING	1	O-Ring	Joint Torique	O-Ring	Junta Tórica	15.6 X 1.78 Ref. 51
59	#O-RING	1	O-Ring	Joint Torique	O-Ring	Junta Tórica	18 X 2.5 Ref. 51
60	#O-RING	2	O-Ring	Joint Torique	O-Ring	Junta Tórica	15 X 2 Ref. 51





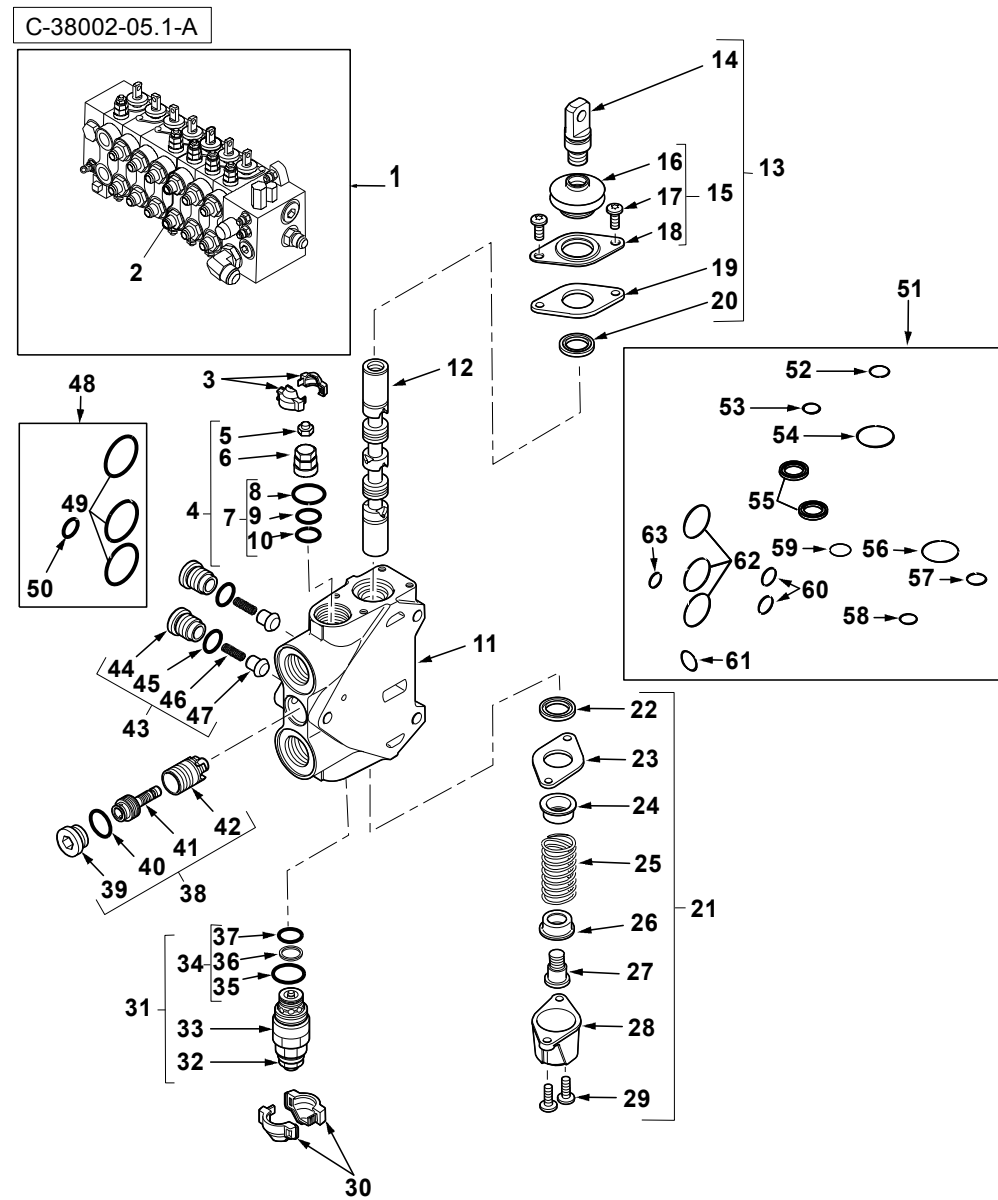
<b>Item</b>	<b>Part No.</b>	<b>Qty.</b>	<b>English</b>	<b>French</b>	<b>German</b>	<b>Spanish</b>	<b>Remarks</b>
61	#O-RING	1	O-Ring	Joint Torique	O-Ring	Junta Tórica	19.4 X 2.1 Ref. 51
62	#O-RING	3	O-Ring	Joint Torique	O-Ring	Junta Tórica	29.82 X 2.62 Ref. 51
63	#O-RING	1	O-Ring	Joint Torique	O-Ring	Junta Tórica	10.77 X 2.62 Ref. 51





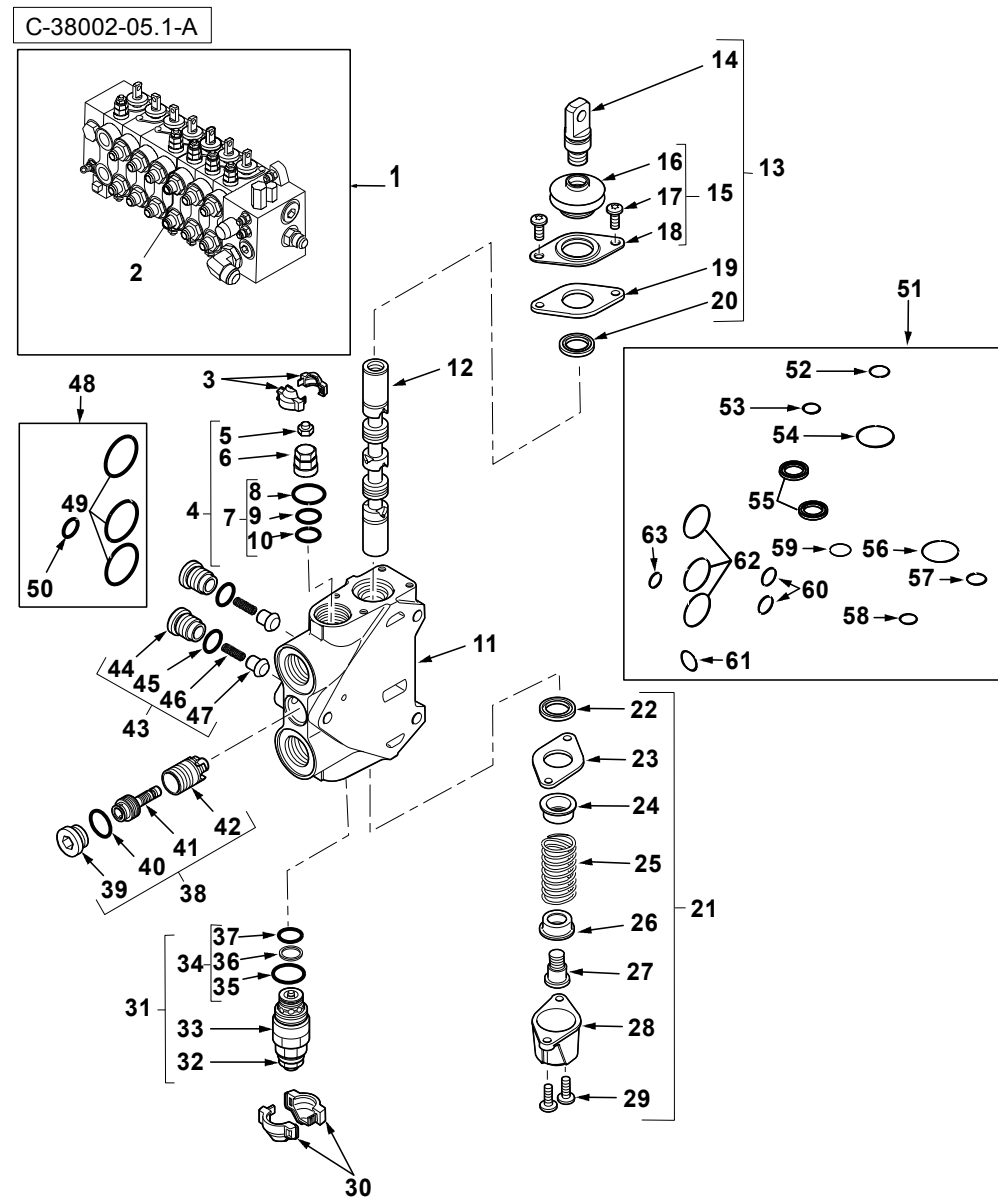
Item	Part No.	Qty.	English	French	German	Spanish	Remarks
1	6109457M91	1	Digger Valve - 7 Spool Mech C/M	Ensemble Distribution	Steuerventilblock Kpl.	Distribuidor, Conj.	Continued
2	#VALVE ASSY	1	Valve Assy	Valve Assy	Valve Assy	Valve Assy	
3	#COVER	0	Cover	Cover	Cover	Cover	Ref. 2
4	6193805M91	1	Pressure Relief Valve H 280 Bar	Valve Decharge	Druckbegrventil	Válvula De Seguridad	
5	#NUT	1	Nut	Ecrou	Mutter	Tuerca	Ref. 4
6	#VALVE	1	Valve	Soupape	Ventil	Válvula	Ref. 4
7	6193779M91	1	Seal Kit - Relief Valve	Jeu Étanchéité	Dichtringsatz	Juego De Juntas	
8	#O-RING	1	O-Ring	Joint Torique	O-Ring	Junta Tórica	Ref. 7
9	#O-RING	1	O-Ring	Joint Torique	O-Ring	Junta Tórica	Ref. 7
10	#O-RING	1	O-Ring	Joint Torique	O-Ring	Junta Tórica	Ref. 7
11	#BODY	1	Body	Body	Body	Body	Ref. 2
12	#SPOOL	1	Spool	Spool	Spool	Spool	Ref. 2
13	6193780M91	1	Kit - Mechanical Optd Z1	Lot De Pièces	Ersatzteilpaket	Juego De Piezas	
14	#SCREW	1	Screw	Vis	Schraube	Tornillo	Ref. 13
15	6193783M91	1	Bellows Kit	Lot De Pieces	Dichtung	Juego De Piezas	
16	#SEAL	1	Seal	Joint Étanchéité	Dichtring	Retén	Ref. 15
17	#SCREW	1	Screw	Vis	Schraube	Tornillo	Ref. 15
18	#COVER	2	Cover	Cover	Cover	Cover	Ref. 15
19	#PLATE	1	Plate	Plaque	Platte	Plato	Ref. 13
20	6194492M1	1	Lip Seal - Rexorth Ref: 8100160	Joint Étanchéité	Dichtring	Junta	
21	6193784M91	1	Mechanical Optd Kit	Lot De Pièces	Ersatzteilpaket	Juego De Piezas	
22	6194492M1	1	Lip Seal - Rexorth Ref: 8100160	Joint Étanchéité	Dichtring	Junta	
23	#PLATE	1	Plate	Plaque	Platte	Plato	Ref. 21
24	#HOLDER	1	Holder	Holder	Holder	Holder	Ref. 21
25	#SPRING	1	Spring	Ressort	Feder	Muelle	Ref. 21
26	#HOLDER	1	Holder	Holder	Holder	Holder	Ref. 21
27	#SCREW	1	Screw	Vis	Schraube	Tornillo	Ref. 21
28	#CAP	1	Cap	Chapeau	Kappe	Tapa	Ref. 21
29	#SCREW	2	Screw	Vis	Schraube	Tornillo	Ref. 21
30	#COVER	0	Cover	Cover	Cover	Cover	Ref. 21





Item	Part No.	Qty.	English	French	German	Spanish	Remarks
31	6193802M91	1	Pressure Relief Valve H 265 Bar	Valve Decharge	Druckbegrentil	Válvula De Seguridad	
32	#NUT	1	Nut	Ecrou	Mutter	Tuerca	Ref. 31
33	#VALVE	1	Valve	Soupape	Ventil	Válvula	Ref. 31
34	6193779M91	1	Seal Kit - Relief Valve	Jeu Étanchéité	Dichtringsatz	Juego De Juntas	
35	#O-RING	1	O-Ring	Joint Torique	O-Ring	Junta Tórica	Ref. 34
36	#O-RING	1	O-Ring	Joint Torique	O-Ring	Junta Tórica	Ref. 34
37	#O-RING	1	O-Ring	Joint Torique	O-Ring	Junta Tórica	Ref. 34
38	6193792M91	1	Compensator Kit	Ensemble De Soupape	Ventil Kpl.	Válvula, Conj.	
39	#PLUG	1	Plug	Plug	Plug	Plug	Ref. 38
40	#O-RING	1	O-Ring	Joint Torique	O-Ring	Junta Tórica	Ref. 38
41	#VALVE	1	Valve	Soupape	Ventil	Válvula	Ref. 38
42	#BODY	1	Body	Body	Body	Body	Ref. 38
43	6193775M91	2	Check Valve Kit	Clapet Anti-Retour	Rückschlagventil	Válvula De Parada	
44	#PLUG	1	Plug	Plug	Plug	Plug	Ref. 43
45	#O-RING	1	O-Ring	Joint Torique	O-Ring	Junta Tórica	Ref. 43
46	#SPRING	1	Spring	Ressort	Feder	Muelle	Ref. 43
47	#VALVE	1	Valve	Soupape	Ventil	Válvula	Ref. 43
48	6193771M91	1	Seal Interface Kit	Pochette De Joints	Dichtsatz	Juego De Juntas	
49	#O-RING	3	O-Ring	Joint Torique	O-Ring	Junta Tórica	Ref. 48
50	#O-RING	1	O-Ring	Joint Torique	O-Ring	Junta Tórica	Ref. 48
51	6193781M91	0	Seal Kit Complete	Jeu Etancheite	Dichtringsatz	Juege De Juntas	
52	#O-RING	1	O-Ring	Joint Torique	O-Ring	Junta Tórica	18.77 X 1.78 Ref. 51
53	#O-RING	1	O-Ring	Joint Torique	O-Ring	Junta Tórica	15.6 X 1.78 Ref. 51
54	#O-RING	1	O-Ring	Joint Torique	O-Ring	Junta Tórica	36.3 X 1.78 Ref. 51
55	6194492M1	2	Lip Seal - Rexorth Ref: 8100160	Joint Étanchéité	Dichtring	Junta	
56	#O-RING	1	O-Ring	Joint Torique	O-Ring	Junta Tórica	36.3 X 1.78 Ref. 51
57	#O-RING	1	O-Ring	Joint Torique	O-Ring	Junta Tórica	18.77 X 1.78 Ref. 51
58	#O-RING	1	O-Ring	Joint Torique	O-Ring	Junta Tórica	15.6 X 1.78 Ref. 51
59	#O-RING	1	O-Ring	Joint Torique	O-Ring	Junta Tórica	18 X 2.5 Ref. 51
60	#O-RING	2	O-Ring	Joint Torique	O-Ring	Junta Tórica	15 X 2 Ref. 51

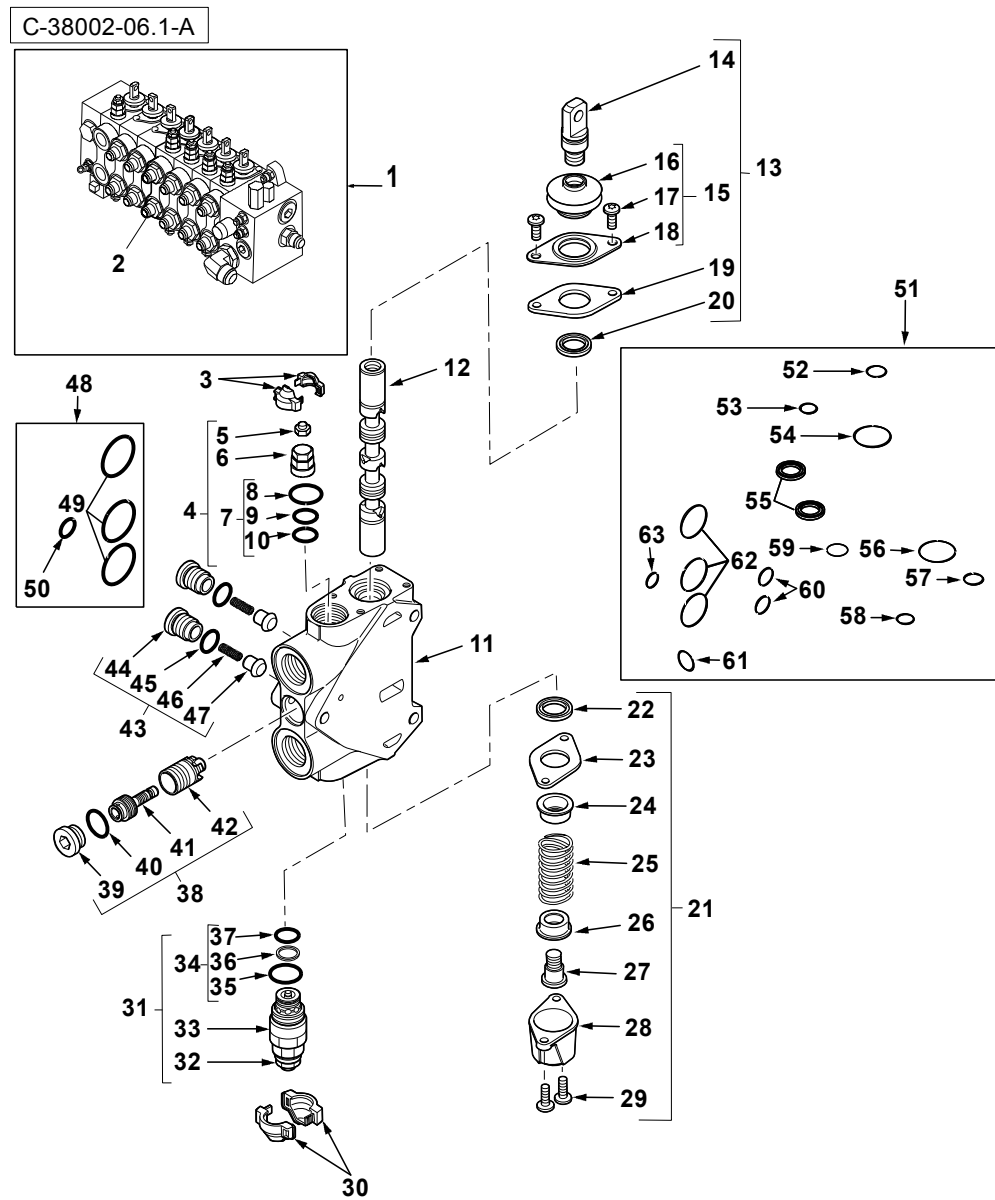






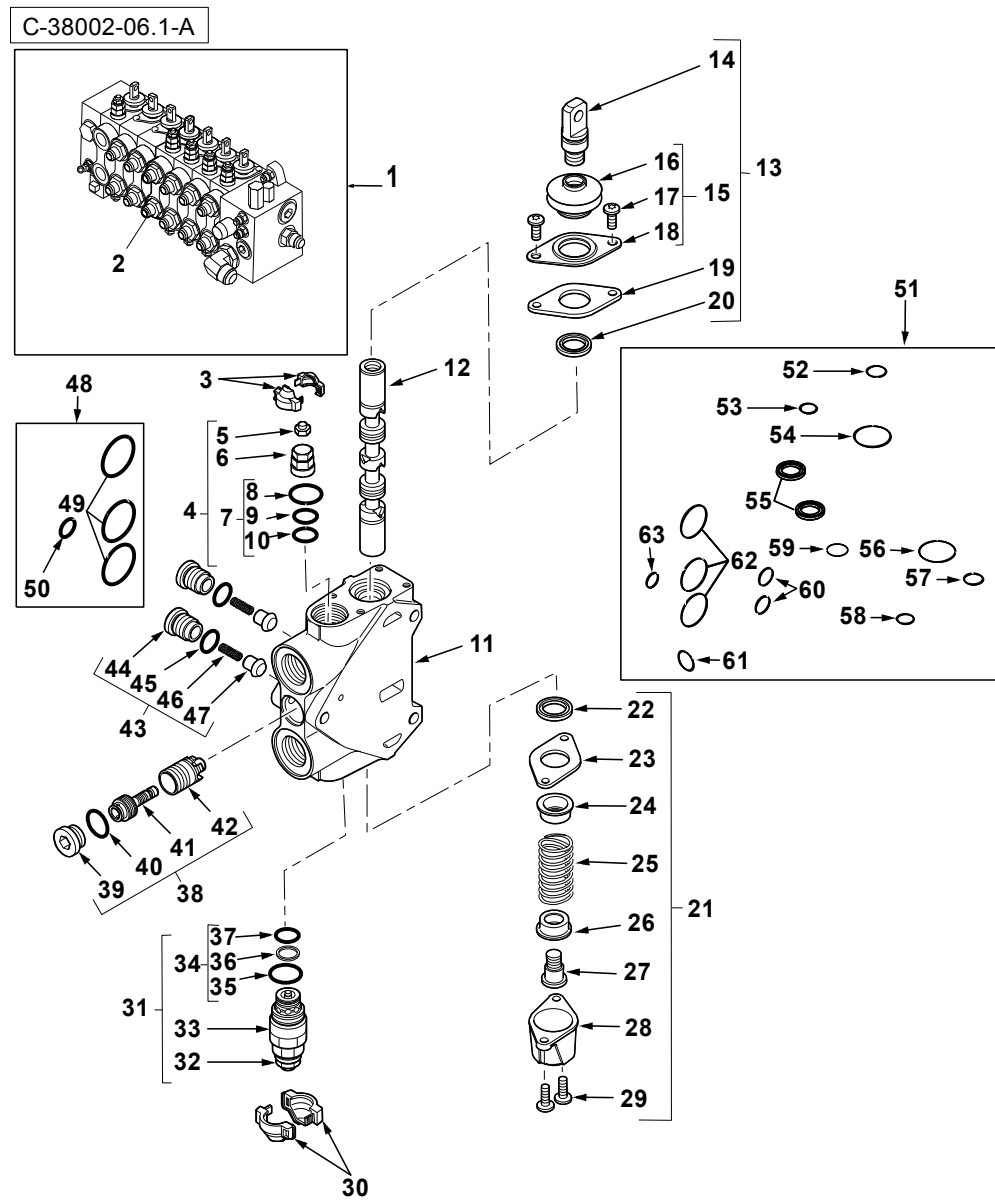
<b>Item</b>	<b>Part No.</b>	<b>Qty.</b>	<b>English</b>	<b>French</b>	<b>German</b>	<b>Spanish</b>	<b>Remarks</b>
61	#O-RING	1	O-Ring	Joint Torique	O-Ring	Junta Tórica	19.4 X 2.1 Ref. 51
62	#O-RING	3	O-Ring	Joint Torique	O-Ring	Junta Tórica	29.82 X 2.62 Ref. 51
63	#O-RING	1	O-Ring	Joint Torique	O-Ring	Junta Tórica	10.77 X 2.62 Ref. 51





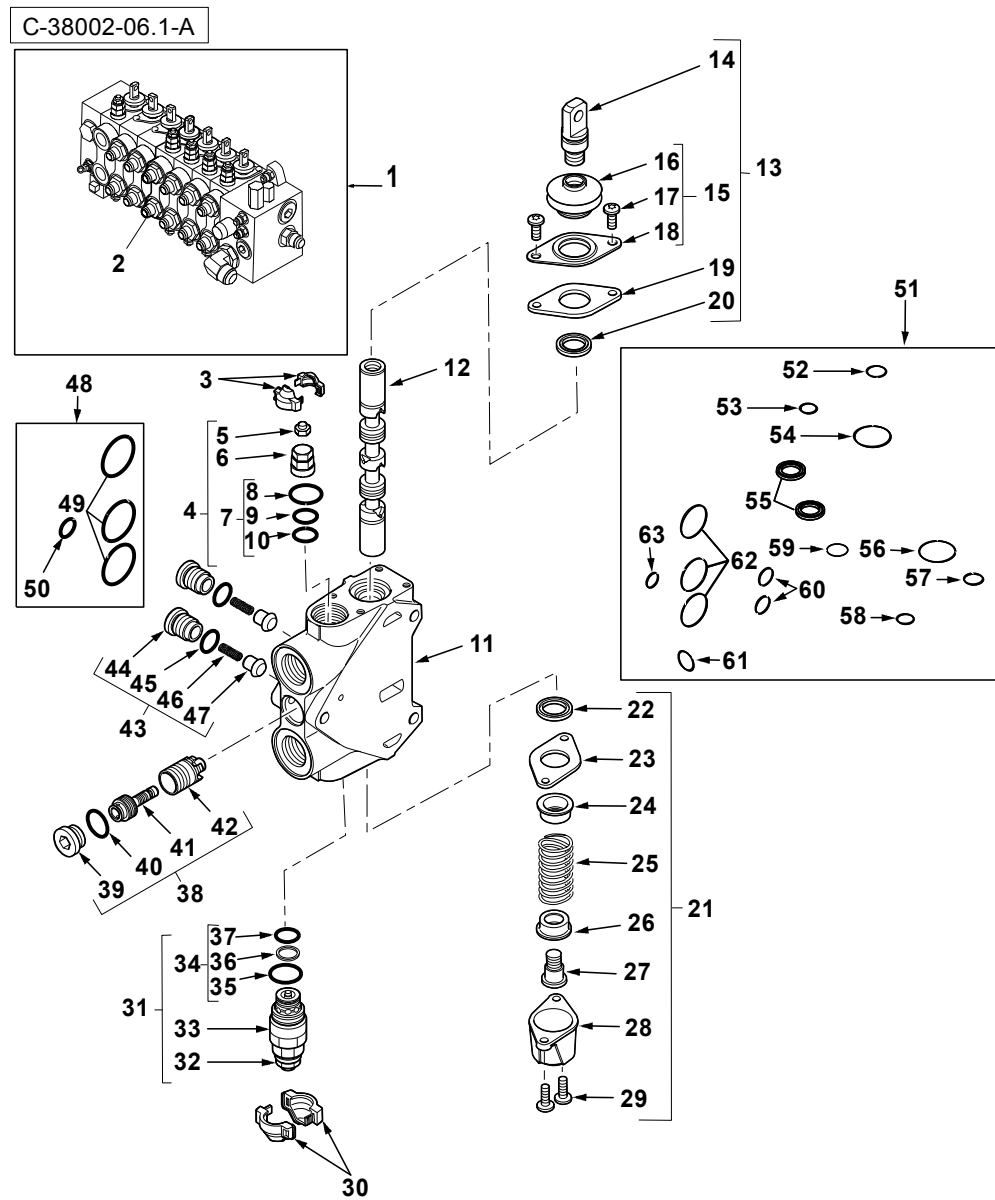
Item	Part No.	Qty.	English	French	German	Spanish	Remarks
1	6109457M91	1	Digger Valve - 7 Spool Mech C/M	Ensemble Distribution	Steuerventilblock Kpl.	Distribuidor, Conj.	Continued
2	#VALVE ASSY	1	Valve Assy	Valve Assy	Valve Assy	Valve Assy	
3	#COVER	0	Cover	Cover	Cover	Cover	Ref. 2
4	6193805M91	1	Pressure Relief Valve H 280 Bar	Valve Decharge	Druckbegrventil	Válvula De Seguridad	
5	#NUT	1	Nut	Ecrou	Mutter	Tuerca	Ref. 4
6	#VALVE	1	Valve	Soupape	Ventil	Válvula	Ref. 4
7	6193779M91	1	Seal Kit - Relief Valve	Jeu Étanchéité	Dichtringsatz	Juego De Juntas	
8	#O-RING	1	O-Ring	Joint Torique	O-Ring	Junta Tórica	Ref. 7
9	#O-RING	1	O-Ring	Joint Torique	O-Ring	Junta Tórica	Ref. 7
10	#O-RING	1	O-Ring	Joint Torique	O-Ring	Junta Tórica	Ref. 7
11	#BODY	1	Body	Body	Body	Body	Ref. 2
12	#SPOOL	1	Spool	Spool	Spool	Spool	Ref. 2
13	6193780M91	1	Kit - Mechanical Optd Z1	Lot De Pièces	Ersatzteilpaket	Juego De Piezas	
14	#SCREW	1	Screw	Vis	Schraube	Tornillo	Ref. 13
15	6193783M91	1	Bellows Kit	Lot De Pieces	Dichtung	Juego De Piezas	
16	#SEAL	1	Seal	Joint Étanchéité	Dichtring	Retén	Ref. 15
17	#SCREW	1	Screw	Vis	Schraube	Tornillo	Ref. 15
18	#COVER	2	Cover	Cover	Cover	Cover	Ref. 15
19	#PLATE	1	Plate	Plaque	Platte	Plato	Ref. 13
20	6194492M1	1	Lip Seal - Rexorth Ref: 8100160	Joint Étanchéité	Dichtring	Junta	
21	6193784M91	1	Mechanical Optd Kit	Lot De Pièces	Ersatzteilpaket	Juego De Piezas	
22	6194492M1	1	Lip Seal - Rexorth Ref: 8100160	Joint Étanchéité	Dichtring	Junta	
23	#PLATE	1	Plate	Plaque	Platte	Plato	Ref. 21
24	#HOLDER	1	Holder	Holder	Holder	Holder	Ref. 21
25	#SPRING	1	Spring	Ressort	Feder	Muelle	Ref. 21
26	#HOLDER	1	Holder	Holder	Holder	Holder	Ref. 21
27	#SCREW	1	Screw	Vis	Schraube	Tornillo	Ref. 21
28	#CAP	1	Cap	Chapeau	Kappe	Tapa	Ref. 21
29	#SCREW	2	Screw	Vis	Schraube	Tornillo	Ref. 21
30	#COVER	0	Cover	Cover	Cover	Cover	Ref. 21





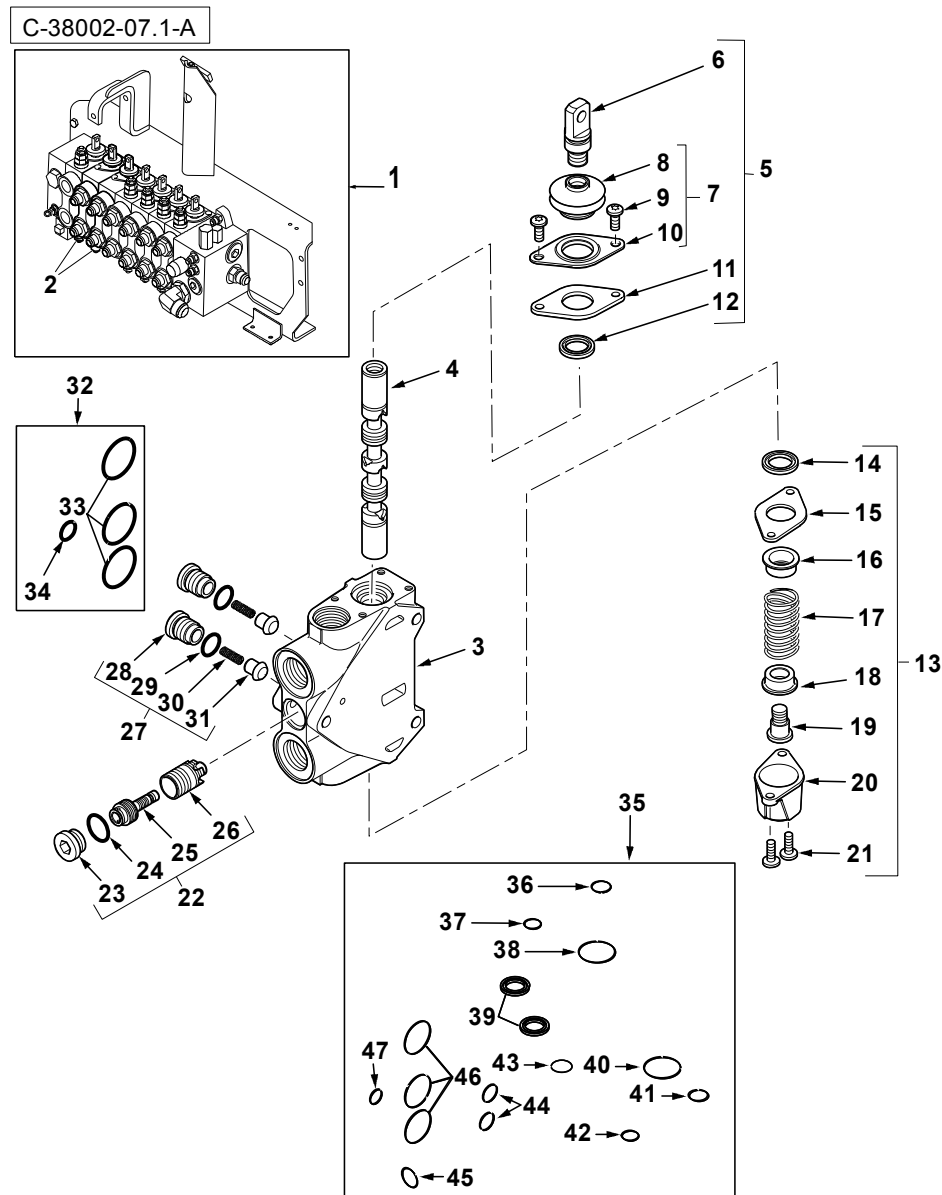
Item	Part No.	Qty.	English	French	German	Spanish	Remarks
31	6193805M91	1	Pressure Relief Valve H 280 Bar	Valve Decharge	Druckbegrentil	Válvula De Seguridad	
32	#NUT	1	Nut	Ecrou	Mutter	Tuerca	Ref. 31
33	#VALVE	1	Valve	Soupape	Ventil	Válvula	Ref. 31
34	6193779M91	1	Seal Kit - Relief Valve	Jeu Étanchéité	Dichtringsatz	Juego De Juntas	
35	#O-RING	1	O-Ring	Joint Torique	O-Ring	Junta Tórica	Ref. 34
36	#O-RING	1	O-Ring	Joint Torique	O-Ring	Junta Tórica	Ref. 34
37	#O-RING	1	O-Ring	Joint Torique	O-Ring	Junta Tórica	Ref. 34
38	6193774M91	1	Kit - Compensator	Ensemble De Soupape	Ventil Kpl.	Válvula, Conj.	
39	#PLUG	1	Plug	Plug	Plug	Plug	Ref. 38
40	#O-RING	1	O-Ring	Joint Torique	O-Ring	Junta Tórica	Ref. 38
41	#VALVE	1	Valve	Soupape	Ventil	Válvula	Ref. 38
42	#BODY	1	Body	Body	Body	Body	Ref. 38
43	6193775M91	2	Check Valve Kit	Clapet Anti-Retour	Rückschlagventil	Válvula De Parada	
44	#PLUG	1	Plug	Plug	Plug	Plug	Ref. 43
45	#O-RING	1	O-Ring	Joint Torique	O-Ring	Junta Tórica	Ref. 43
46	#SPRING	1	Spring	Ressort	Feder	Muelle	Ref. 43
47	#VALVE	1	Valve	Soupape	Ventil	Válvula	Ref. 43
48	6193771M91	1	Seal Interface Kit	Pochette De Joints	Dichtsatz	Juego De Juntas	
49	#O-RING	3	O-Ring	Joint Torique	O-Ring	Junta Tórica	Ref. 48
50	#O-RING	1	O-Ring	Joint Torique	O-Ring	Junta Tórica	Ref. 48
51	6193781M91	0	Seal Kit Complete	Jeu Etancheite	Dichtringsatz	Juege De Juntas	
52	#O-RING	1	O-Ring	Joint Torique	O-Ring	Junta Tórica	18.77 X 1.78 Ref. 51
53	#O-RING	1	O-Ring	Joint Torique	O-Ring	Junta Tórica	15.6 X 1.78 Ref. 51
54	#O-RING	1	O-Ring	Joint Torique	O-Ring	Junta Tórica	36.3 X 1.78 Ref. 51
55	6194492M1	2	Lip Seal - Rexorth Ref: 8100160	Joint Étanchéité	Dichtring	Junta	
56	#O-RING	1	O-Ring	Joint Torique	O-Ring	Junta Tórica	36.3 X 1.78 Ref. 51
57	#O-RING	1	O-Ring	Joint Torique	O-Ring	Junta Tórica	18.77 X 1.78 Ref. 51
58	#O-RING	1	O-Ring	Joint Torique	O-Ring	Junta Tórica	15.6 X 1.78 Ref. 51
59	#O-RING	1	O-Ring	Joint Torique	O-Ring	Junta Tórica	18 X 2.5 Ref. 51
60	#O-RING	2	O-Ring	Joint Torique	O-Ring	Junta Tórica	15 X 2 Ref. 51





<b>Item</b>	<b>Part No.</b>	<b>Qty.</b>	<b>English</b>	<b>French</b>	<b>German</b>	<b>Spanish</b>	<b>Remarks</b>
61	#O-RING	1	O-Ring	Joint Torique	O-Ring	Junta Tórica	19.4 X 2.1 Ref. 51
62	#O-RING	3	O-Ring	Joint Torique	O-Ring	Junta Tórica	29.82 X 2.62 Ref. 51
63	#O-RING	1	O-Ring	Joint Torique	O-Ring	Junta Tórica	10.77 X 2.62 Ref. 51

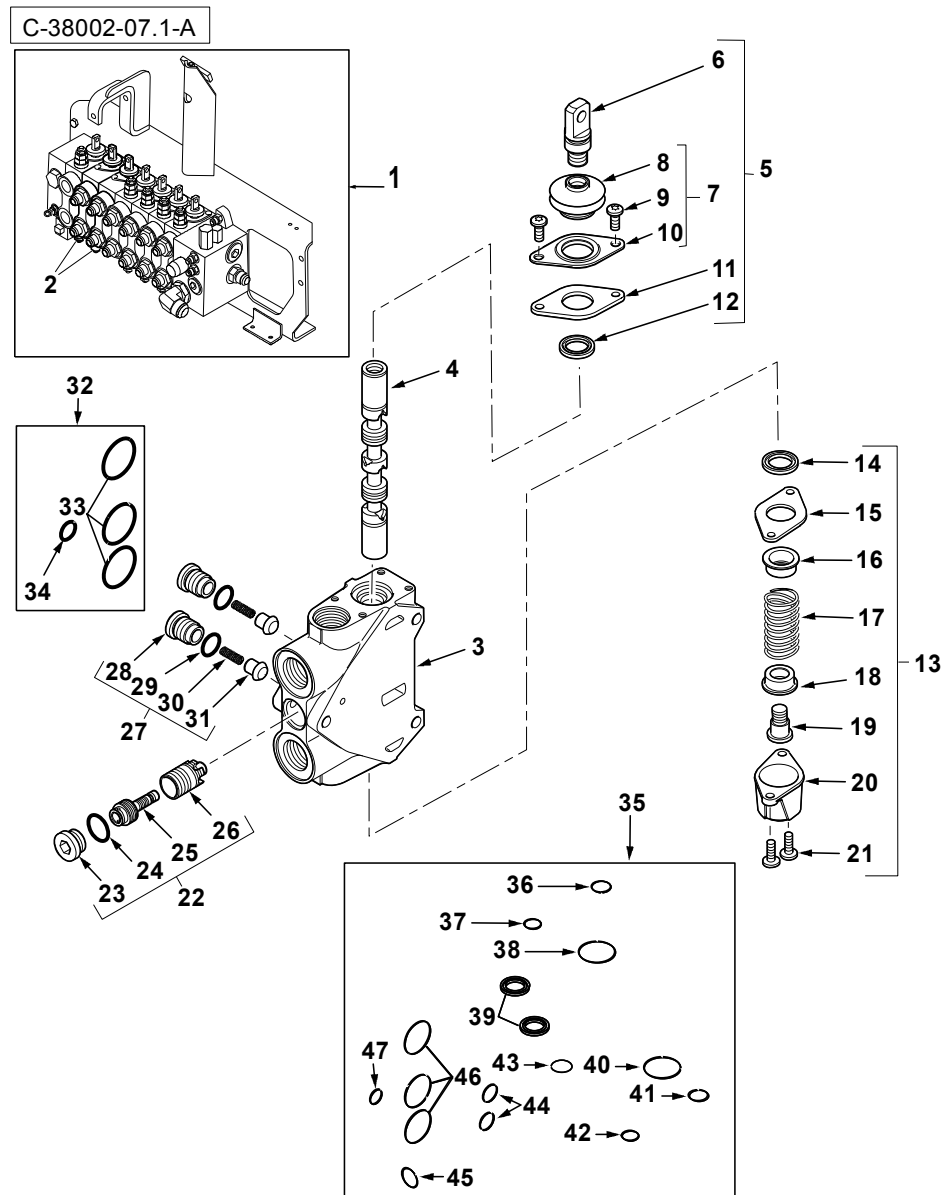






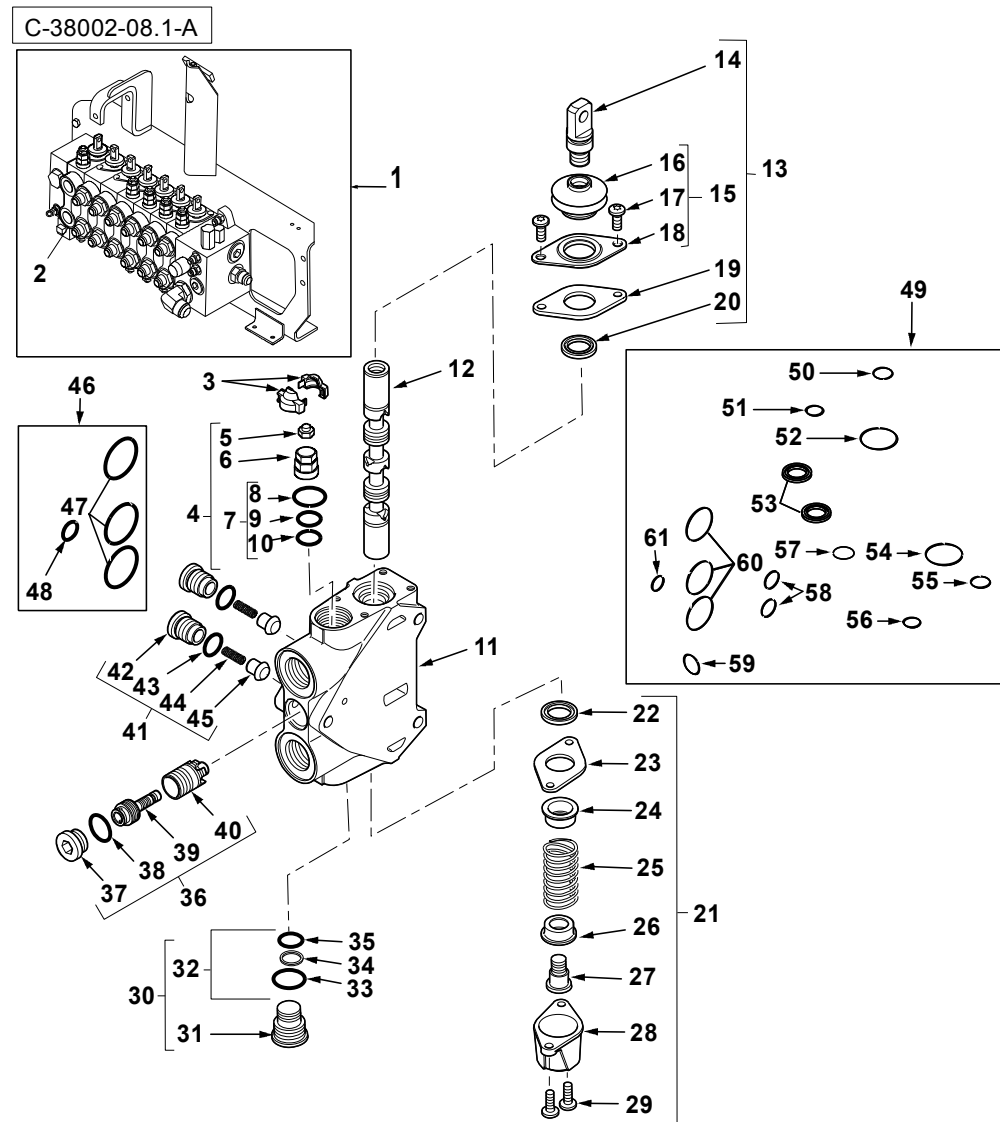
Item	Part No.	Qty.	English	French	German	Spanish	Remarks
1	6109457M91	1	Digger Valve - 7 Spool Mech C/M	Ensemble Distribution	Steuerventilblock Kpl.	Distribuidor, Conj.	Continued
2	#VALVE ASSY	2	Valve Assy	Valve Assy	Valve Assy	Valve Assy	
3	#BODY	1	Body	Body	Body	Body	Ref. 2
4	#SPOOL	1	Spool	Spool	Spool	Spool	Ref. 2
5	6193780M91	1	Kit - Mechanical Optd Z1	Lot De Pièces	Ersatzteilpaket	Juego De Piezas	
6	#SCREW	1	Screw	Vis	Schraube	Tornillo	Ref. 5
7	6193783M91	1	Bellows Kit	Lot De Pieces	Dichtung	Juego De Piezas	
8	#SEAL	1	Seal	Joint Étanchéité	Dichtring	Retén	Ref. 7
9	#SCREW	1	Screw	Vis	Schraube	Tornillo	Ref. 7
10	#COVER	2	Cover	Cover	Cover	Cover	Ref. 7
11	#PLATE	1	Plate	Plaque	Platte	Plato	Ref. 5
12	6194492M1	1	Lip Seal - Rexorth Ref: 8100160	Joint Étanchéité	Dichtring	Junta	
13	6193784M91	1	Mechanical Optd Kit	Lot De Pièces	Ersatzteilpaket	Juego De Piezas	
14	6194492M1	1	Lip Seal - Rexorth Ref: 8100160	Joint Étanchéité	Dichtring	Junta	
15	#PLATE	1	Plate	Plaque	Platte	Plato	Ref. 13
16	#HOLDER	1	Holder	Holder	Holder	Holder	Ref. 13
17	#SPRING	1	Spring	Ressort	Feder	Muelle	Ref. 13
18	#HOLDER	1	Holder	Holder	Holder	Holder	Ref. 13
19	#SCREW	1	Screw	Vis	Schraube	Tornillo	Ref. 13
20	#CAP	1	Cap	Chapeau	Kappe	Tapa	Ref. 13
21	#SCREW	2	Screw	Vis	Schraube	Tornillo	Ref. 13
22	6193774M91	1	Kit - Compensator	Ensemble De Soupape	Ventil Kpl.	Válvula, Conj.	
23	#PLUG	1	Plug	Plug	Plug	Plug	Ref. 22
24	#O-RING	1	O-Ring	Joint Torique	O-Ring	Junta Tórica	Ref. 22
25	#VALVE	1	Valve	Soupape	Ventil	Válvula	Ref. 22
26	#BODY	1	Body	Body	Body	Body	Ref. 22
27	6193775M91	2	Check Valve Kit	Clapet Anti-Retour	Rückschlagventil	Válvula De Parada	
28	#PLUG	1	Plug	Plug	Plug	Plug	Ref. 27
29	#O-RING	1	O-Ring	Joint Torique	O-Ring	Junta Tórica	Ref. 27
30	#SPRING	1	Spring	Ressort	Feder	Muelle	Ref. 27





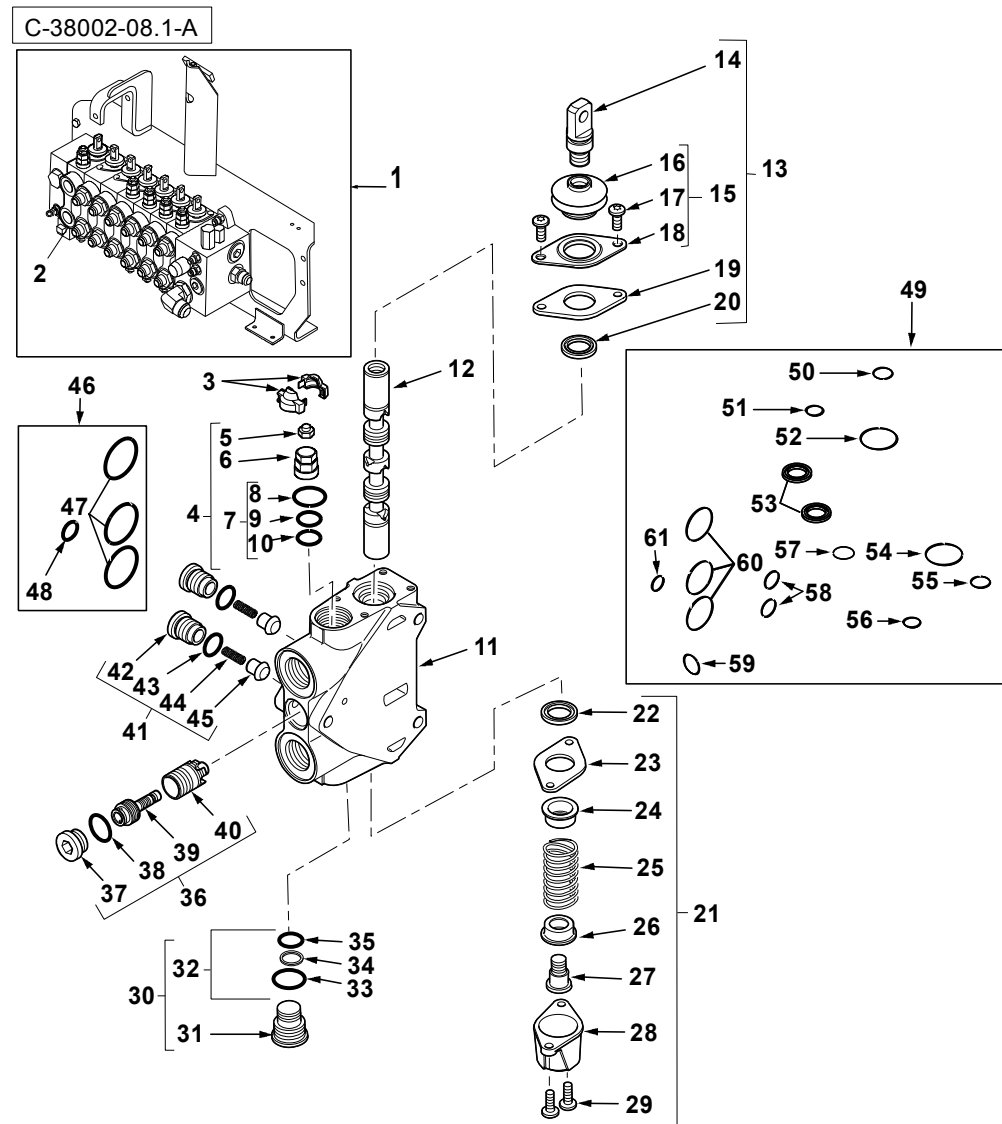
Item	Part No.	Qty.	English	French	German	Spanish	Remarks
31	#VALVE	1	Valve	Soupape	Ventil	Válvula	Ref. 27
32	6193771M91	1	Seal Interface Kit	Pochette De Joints	Dichtsatz	Juego De Juntas	
33	#O-RING	3	O-Ring	Joint Torique	O-Ring	Junta Tórica	Ref. 32
34	#O-RING	1	O-Ring	Joint Torique	O-Ring	Junta Tórica	Ref. 32
35	6193781M91	0	Seal Kit Complete	Jeu Etancheite	Dichtringsatz	Juege De Juntas	
36	#O-RING	1	O-Ring	Joint Torique	O-Ring	Junta Tórica	18.77 X 1.78 Ref. 35
37	#O-RING	1	O-Ring	Joint Torique	O-Ring	Junta Tórica	15.6 X 1.78 Ref. 35
38	#O-RING	1	O-Ring	Joint Torique	O-Ring	Junta Tórica	36.3 X 1.78 Ref. 35
39	6194492M1	2	Lip Seal - Rexorth Ref: 8100160	Joint Étanchéité	Dichtring	Junta	
40	#O-RING	1	O-Ring	Joint Torique	O-Ring	Junta Tórica	36.3 X 1.78 Ref. 35
41	#O-RING	1	O-Ring	Joint Torique	O-Ring	Junta Tórica	18.77 X 1.78 Ref. 35
42	#O-RING	1	O-Ring	Joint Torique	O-Ring	Junta Tórica	15.6 X 1.78 Ref. 35
43	#O-RING	1	O-Ring	Joint Torique	O-Ring	Junta Tórica	18 X 2.5 Ref. 35
44	#O-RING	2	O-Ring	Joint Torique	O-Ring	Junta Tórica	15 X 2 Ref. 35
45	#O-RING	1	O-Ring	Joint Torique	O-Ring	Junta Tórica	19.4 X 2.1 Ref. 35
46	#O-RING	3	O-Ring	Joint Torique	O-Ring	Junta Tórica	29.82 X 2.62 Ref. 35
47	#O-RING	1	O-Ring	Joint Torique	O-Ring	Junta Tórica	10.77 X 2.62 Ref. 35





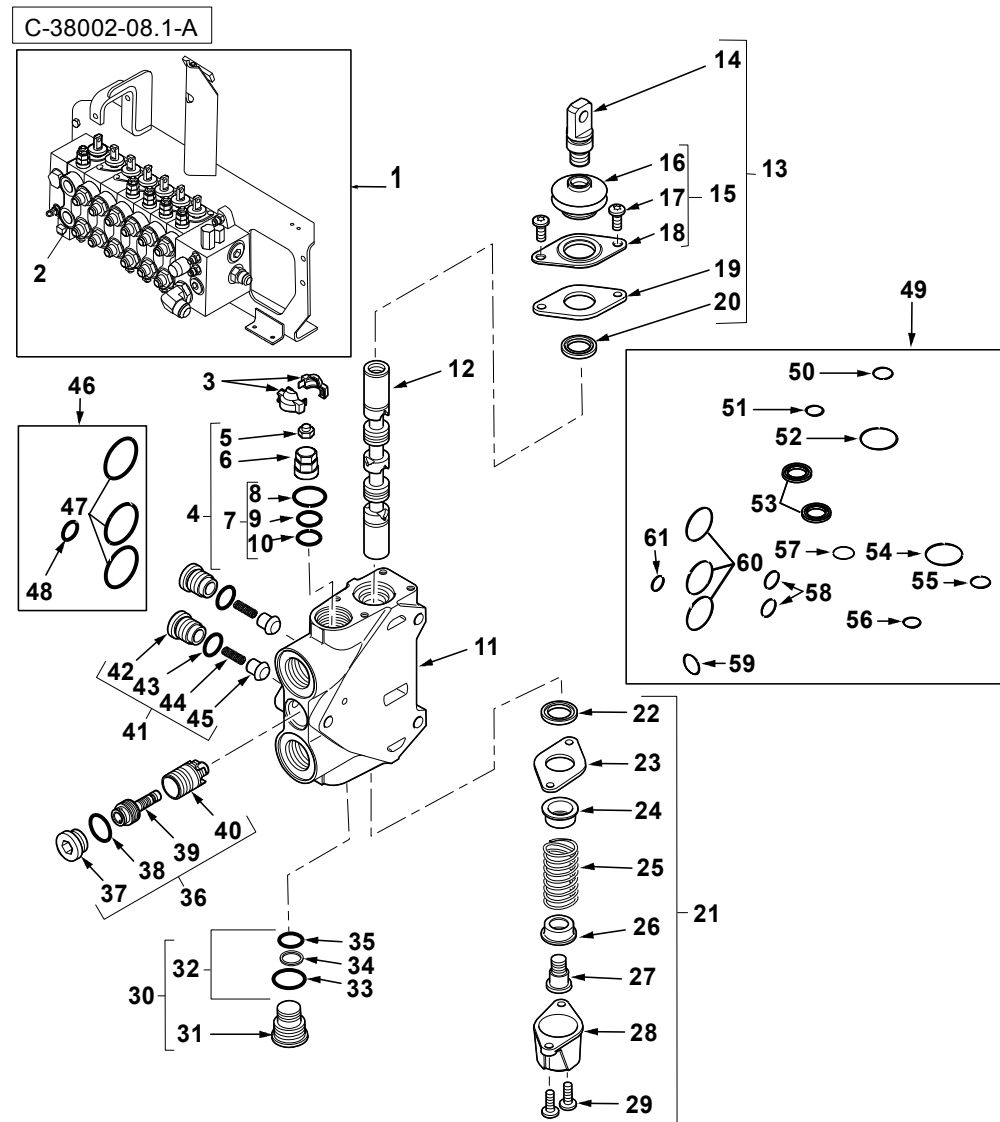
Item	Part No.	Qty.	English	French	German	Spanish	Remarks
1	6109457M91	1	Digger Valve - 7 Spool Mech C/M	Ensemble Distribution	Steuerventilblock Kpl.	Distribuidor, Conj.	Continued
2	#VALVE ASSY	1	Valve Assy	Valve Assy	Valve Assy	Valve Assy	
3	#COVER	0	Cover	Cover	Cover	Cover	Ref. 2
4	6193799M91	1	Pressure Relief Valve H (155 Bar)	Valve Decharge	Druckbegrventil	Válvula De Seguridad	
5	#NUT	1	Nut	Ecrou	Mutter	Tuerca	Ref. 4
6	#VALVE	1	Valve	Soupape	Ventil	Válvula	Ref. 4
7	6193779M91	1	Seal Kit - Relief Valve	Jeu Étanchéité	Dichtringsatz	Juego De Juntas	
8	#O-RING	1	O-Ring	Joint Torique	O-Ring	Junta Tórica	Ref. 7
9	#O-RING	1	O-Ring	Joint Torique	O-Ring	Junta Tórica	Ref. 7
10	#O-RING	1	O-Ring	Joint Torique	O-Ring	Junta Tórica	Ref. 7
11	#BODY	1	Body	Body	Body	Body	Ref. 2
12	#SPOOL	1	Spool	Spool	Spool	Spool	Ref. 2
13	6193780M91	1	Kit - Mechanical Optd Z1	Lot De Pièces	Ersatzteilpaket	Juego De Piezas	
14	#SCREW	1	Screw	Vis	Schraube	Tornillo	Ref. 13
15	6193783M91	1	Bellows Kit	Lot De Pieces	Dichtung	Juego De Piezas	
16	#SEAL	1	Seal	Joint Étanchéité	Dichtring	Retén	Ref. 15
17	#SCREW	1	Screw	Vis	Schraube	Tornillo	Ref. 15
18	#COVER	2	Cover	Cover	Cover	Cover	Ref. 15
19	#PLATE	1	Plate	Plaque	Platte	Plato	Ref. 13
20	6194492M1	1	Lip Seal - Rexorth Ref: 8100160	Joint Étanchéité	Dichtring	Junta	
21	6193784M91	1	Mechanical Optd Kit	Lot De Pièces	Ersatzteilpaket	Juego De Piezas	
22	6194492M1	1	Lip Seal - Rexorth Ref: 8100160	Joint Étanchéité	Dichtring	Junta	
23	#PLATE	1	Plate	Plaque	Platte	Plato	Ref. 21
24	#HOLDER	1	Holder	Holder	Holder	Holder	Ref. 21
25	#SPRING	1	Spring	Ressort	Feder	Muelle	Ref. 21
26	#HOLDER	1	Holder	Holder	Holder	Holder	Ref. 21
27	#SCREW	1	Screw	Vis	Schraube	Tornillo	Ref. 21
28	#CAP	1	Cap	Chapeau	Kappe	Tapa	Ref. 21
29	#SCREW	2	Screw	Vis	Schraube	Tornillo	Ref. 21
30	6193785M91	1	Plug Q - Port B	Bouchon	Stopfen	Tapón, Conj.	





Item	Part No.	Qty.	English	French	German	Spanish	Remarks
31	#PLUG	1	Plug	Plug	Plug	Plug	Ref. 30
32	6193779M91	1	Seal Kit - Relief Valve	Jeu Étanchéité	Dichtringsatz	Juego De Juntas	
33	#O-RING	1	O-Ring	Joint Torique	O-Ring	Junta Tórica	Ref. 32
34	#O-RING	1	O-Ring	Joint Torique	O-Ring	Junta Tórica	Ref. 32
35	#O-RING	1	O-Ring	Joint Torique	O-Ring	Junta Tórica	Ref. 32
36	6193792M91	1	Compensator Kit	Ensemble De Soupape	Ventil Kpl.	Válvula, Conj.	
37	#PLUG	1	Plug	Plug	Plug	Plug	Ref. 36
38	#O-RING	1	O-Ring	Joint Torique	O-Ring	Junta Tórica	Ref. 36
39	#VALVE	1	Valve	Soupape	Ventil	Válvula	Ref. 36
40	#BODY	1	Body	Body	Body	Body	Ref. 36
41	6193775M91	2	Check Valve Kit	Clapet Anti-Retour	Rückschlagventil	Válvula De Parada	
42	#PLUG	1	Plug	Plug	Plug	Plug	Ref. 41
43	#O-RING	1	O-Ring	Joint Torique	O-Ring	Junta Tórica	Ref. 41
44	#SPRING	1	Spring	Ressort	Feder	Muelle	Ref. 41
45	#VALVE	1	Valve	Soupape	Ventil	Válvula	Ref. 41
46	6193771M91	1	Seal Interface Kit	Pochette De Joints	Dichtsatz	Juego De Juntas	
47	#O-RING	3	O-Ring	Joint Torique	O-Ring	Junta Tórica	Ref. 46
48	#O-RING	1	O-Ring	Joint Torique	O-Ring	Junta Tórica	Ref. 46
49	6193781M91	0	Seal Kit Complete	Jeu Etancheite	Dichtringsatz	Juege De Juntas	
50	#O-RING	1	O-Ring	Joint Torique	O-Ring	Junta Tórica	18.77 X 1.78 Ref. 49
51	#O-RING	1	O-Ring	Joint Torique	O-Ring	Junta Tórica	15.6 X 1.78 Ref. 49
52	#O-RING	1	O-Ring	Joint Torique	O-Ring	Junta Tórica	36.3 X 1.78 Ref. 49
53	6194492M1	2	Lip Seal - Rexorth Ref: 8100160	Joint Étanchéité	Dichtring	Junta	
54	#O-RING	1	O-Ring	Joint Torique	O-Ring	Junta Tórica	36.3 X 1.78 Ref. 49
55	#O-RING	1	O-Ring	Joint Torique	O-Ring	Junta Tórica	18.77 X 1.78 Ref. 49
56	#O-RING	1	O-Ring	Joint Torique	O-Ring	Junta Tórica	15.6 X 1.78 Ref. 49
57	#O-RING	1	O-Ring	Joint Torique	O-Ring	Junta Tórica	18 X 2.5 Ref. 49
58	#O-RING	2	O-Ring	Joint Torique	O-Ring	Junta Tórica	15 X 2 Ref. 49
59	#O-RING	1	O-Ring	Joint Torique	O-Ring	Junta Tórica	19.4 X 2.1 Ref. 49
60	#O-RING	3	O-Ring	Joint Torique	O-Ring	Junta Tórica	29.82 X 2.62 Ref. 49



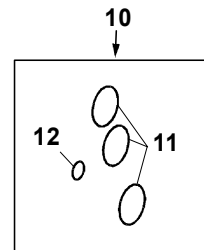
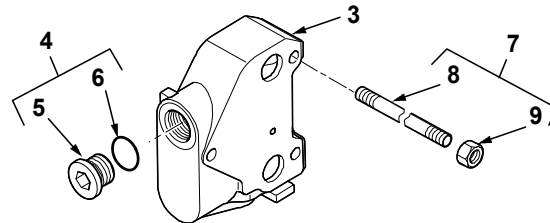
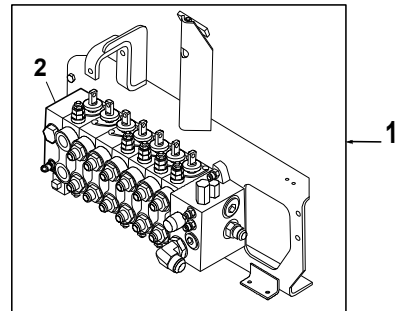




<b>Item</b>	<b>Part No.</b>	<b>Qty.</b>	<b>English</b>	<b>French</b>	<b>German</b>	<b>Spanish</b>	<b>Remarks</b>
61	#O-RING	1	O-Ring	Joint Torique	O-Ring	Junta Tórica	10.77 X 2.62 Ref. 49



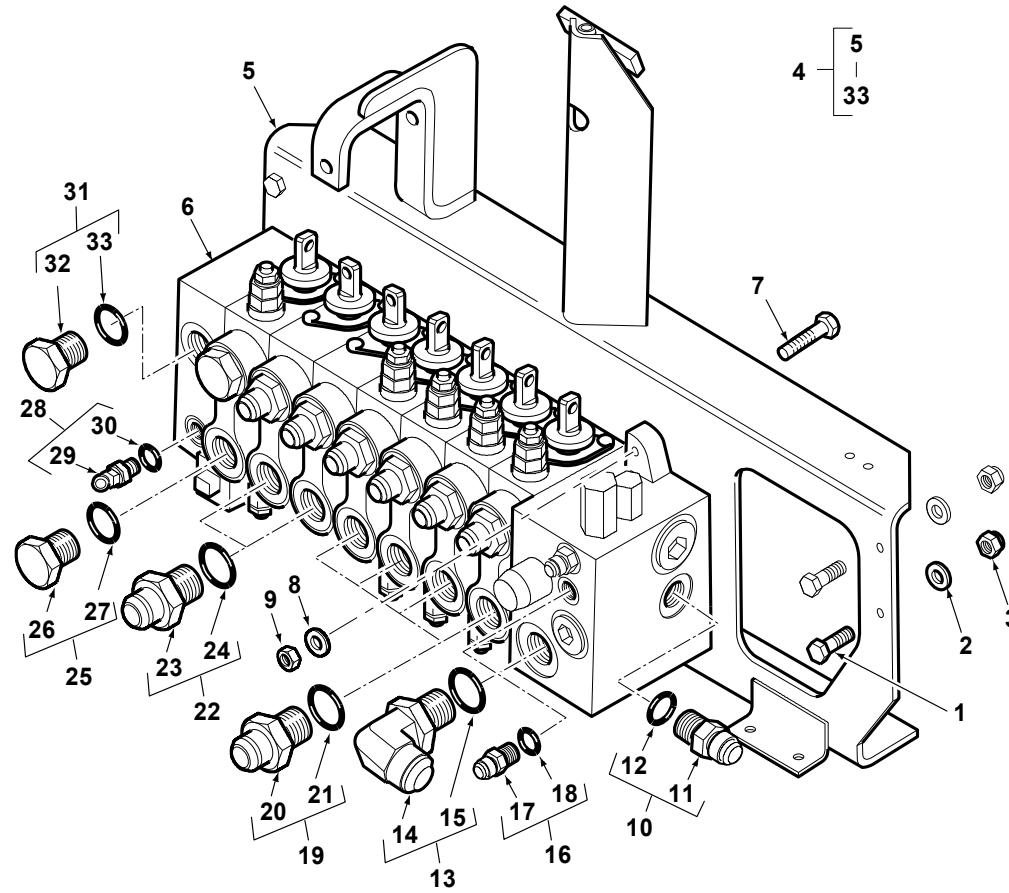
C-38002-09.1-A



Item	Part No.	Qty.	English	French	German	Spanish	Remarks
1	6109457M91	1	Digger Valve - 7 Spool Mech C/M	Ensemble Distribution	Steuerventilblock Kpl.	Distribuidor, Conj.	Continued
2	#VALVE ASSY	1	Valve Assy	Valve Assy	Valve Assy	Valve Assy	
3	#BODY	1	Body	Body	Body	Body	Ref. 2
4	6193773M91	1	Plug For P 1.1/16 Unf	Bouchon	Stopfen	Tapón, Conj.	
5	#PLUG	1	Plug	Plug	Plug	Plug	Ref. 4
6	#O-RING	1	O-Ring	Joint Torique	O-Ring	Junta Tórica	Ref. 4
7	#TIE ROD ASSY	3	Rod Assy	Rod Assy	Rod Assy	Rod Assy	
8	#ROD	1	Rod	Rod	Rod	Rod	Ref. 7
9	#NUT	1	Nut	Ecrou	Mutter	Tuerca	Ref. 7
10	6193771M91	0	Seal Interface Kit	Pochette De Joints	Dichtsatz	Juego De Juntas	
11	#O-RING	3	O-Ring	Joint Torique	O-Ring	Junta Tórica	Ref. 10
12	#O-RING	1	O-Ring	Joint Torique	O-Ring	Junta Tórica	Ref. 10



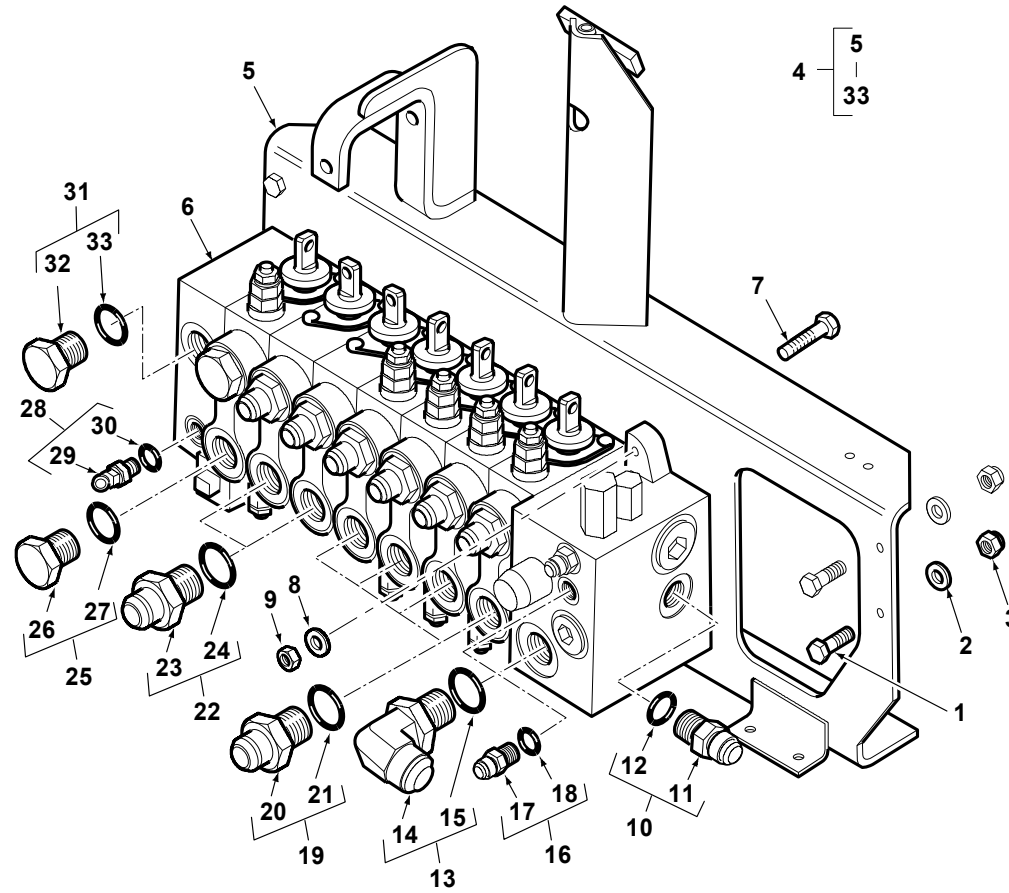
C-38003-01.1-A



Item	Part No.	Qty.	English	French	German	Spanish	Remarks
1	3009493X1	4	Bolt M10-30 Z5c	Boulon M10 X 30	Maschschraube M10	Perno	
2	385362X1	4	Washer, Hardened - M10	Rondelle - M10	Unterlegscheibe M10	Arandela	
3	1440329X1	4	Nut, Hex. - Nyloc, M10	Ecrou Blocage	Flachmutter M10	Tuerca De Retención	
4	6110435M91	1	Valve Assy - Digger Ss Rexroth	Distributeur	Ventil Kpl	Distribuidor, Conj.	
5	6109344M93	1	Bracket- Digger Valve W/Assy	Ensemble Chaise Pali	Bremsanlage	Cuchara, Conj.	
6	6109206M91	1	Valve-7sp Mech. Ss 08/401/331	Ensemble Distribution	Steuerventilblock Kpl.	Distribuidor, Conj.	
7	3009496X1	3	Bolt Hex - M10 X 45 (Coarse)	Boulon M10 X 45	Maschschraube - M10	Tornillo	
8	385362X1	3	Washer, Hardened - M10	Rondelle - M10	Unterlegscheibe M10	Arandela	
9	1440329X1	3	Nut, Hex. - Nyloc, M10	Ecrou Blocage	Flachmutter M10	Tuerca De Retención	
10	835057M91	1	Connector B1510m-12-12	Raccord	Schraubanschluss	Conexión, Conj.	
11	#UNION	1	Union	Union	Union	Union	Ref. 10
12	835025M1	1	Ring O	Joint Torique	O Ring	Junta De Tipo O	
13	358766X91	1	Elbow 90deg	Coude	Kniestück, 90	Codo, 90°	
14	#ELBOW	1	Elbow	Elbow	Elbow	Elbow	Ref. 13
15	835026M1	1	O-Ring	Joint Torique	O-Ring	Junta De Tipo O	
16	835091M91	2	Connector 9/16 Unf	Borne	Doppelnippel	Unión	
17	#UNION	1	Union	Union	Union	Union	Ref. 16
18	831452M1	1	O Ring (Pack Of 10)	Joint Torique	O Ring	Junta De Tipo O	
19	365715X91	8	Connector, Hydr.-Straight, 1 1/16 X 7/8	Borne	Doppelnippel	Conexión, Conj.	
20	#UNION	1	Union	Union	Union	Union	Ref. 19
21	835025M1	1	Ring O	Joint Torique	O Ring	Junta De Tipo O	
22	365713X91	4	Connector 1.1/16 - 3/4	Montage	Anschlverschrbg	Unión	
23	#UNION	1	Union	Union	Union	Union	Ref. 22
24	835025M1	1	Ring O	Joint Torique	O Ring	Junta De Tipo O	
25	835099M91	2	Plug 1.1/16	Bouchon	Stopfen	Tapón, Conj.	
26	#PLUG	1	Plug	Plug	Plug	Plug	Ref. 25
27	835025M1	1	Ring O	Joint Torique	O Ring	Junta De Tipo O	
28	358781X91	1	Elbow 45 Deg 4ws	Coude 135°	Winkelstuck 135°	Codo, 45°	
29	#ELBOW	1	Elbow	Elbow	Elbow	Elbow	Ref. 28
30	831452M1	1	O Ring (Pack Of 10)	Joint Torique	O Ring	Junta De Tipo O	



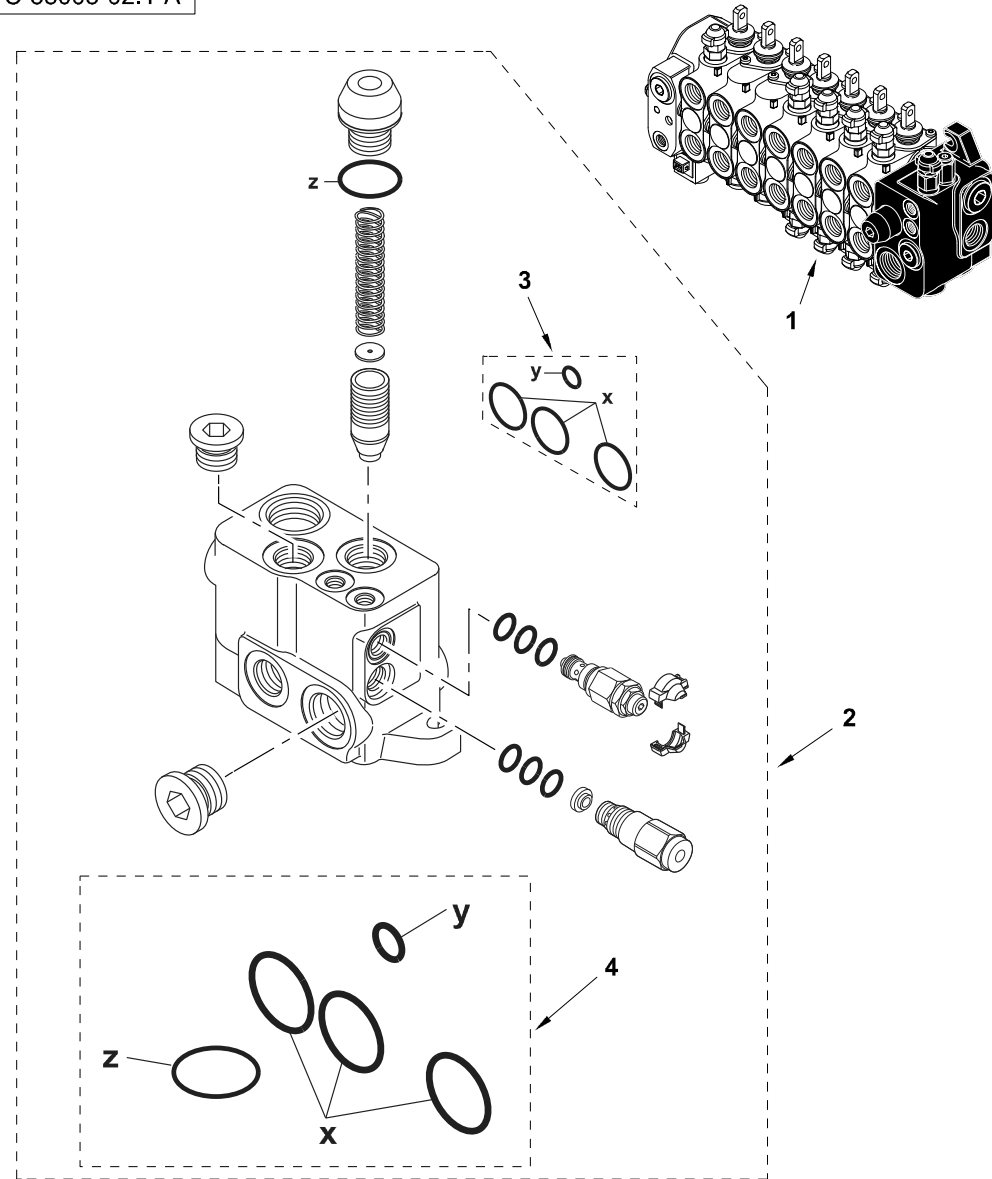
C-38003-01.1-A



<b>Item</b>	<b>Part No.</b>	<b>Qty.</b>	<b>English</b>	<b>French</b>	<b>German</b>	<b>Spanish</b>	<b>Remarks</b>
31	835099M91	1	Plug 1.1/16	Bouchon	Stopfen	Tapón, Conj.	
32	#PLUG	1	Plug	Plug	Plug	Plug	Ref. 31
33	835025M1	1	Ring O	Joint Torique	O Ring	Junta De Tipo O	



C-38003-02.1-A

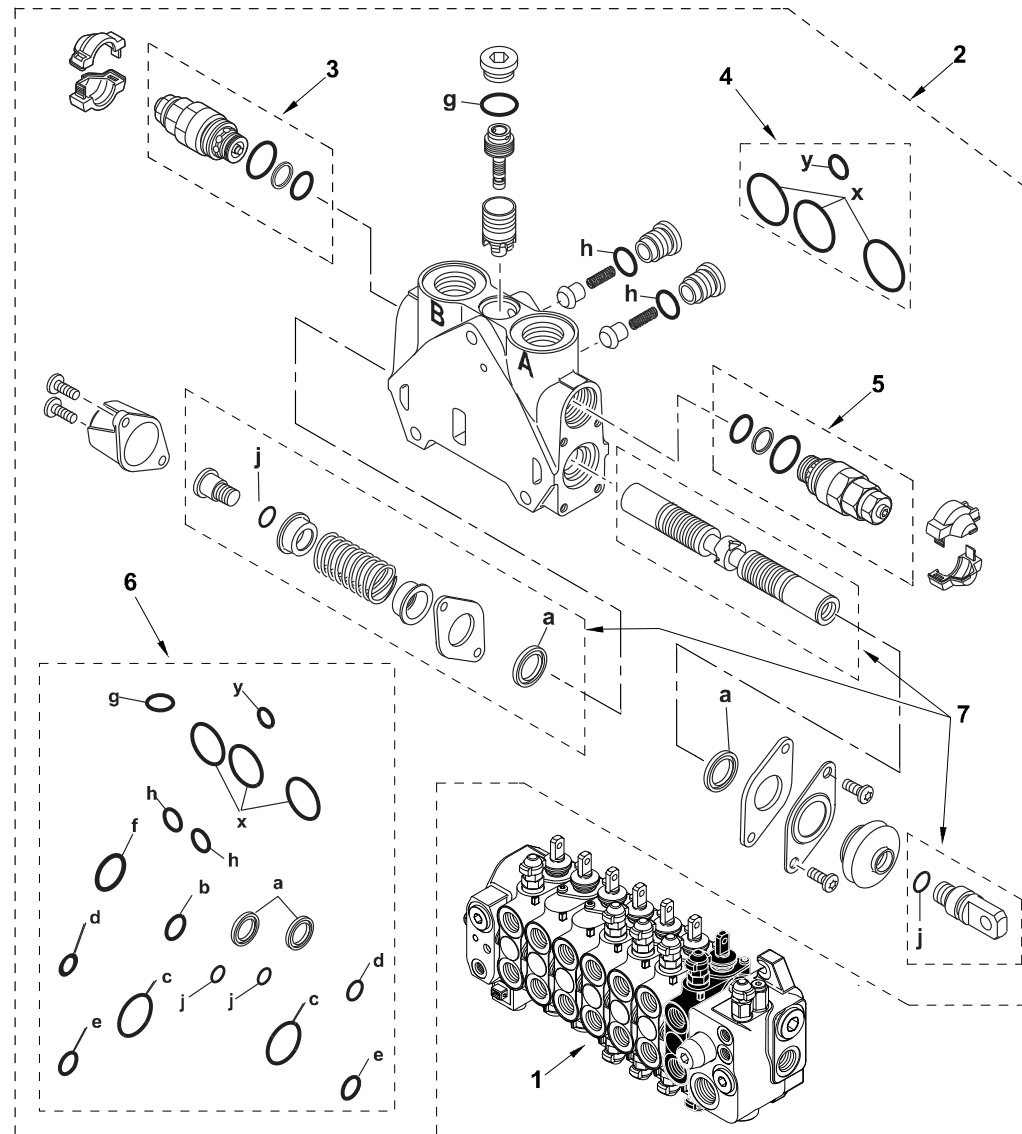




<b>Item</b>	<b>Part No.</b>	<b>Qty.</b>	<b>English</b>	<b>French</b>	<b>German</b>	<b>Spanish</b>	<b>Remarks</b>
1	6109206M91	1	Valve-7sp Mech. Ss 08/401/331	Ensemble Distribution	Steuerventilblock Kpl.	Distribuidor, Conj.	
2	6194534M91	1	Element - Inlet	Element - Soupape	Element - Ventil	Elemento - Válvula	
3	6193771M91	1	Seal Interface Kit	Pochette De Joints	Dichsatz	Juego De Juntas	
4	6193789M91	1	Seal Kit - Inlet Element	Jeu Étanchéité	Dichtringsatz	Juego De Juntas	



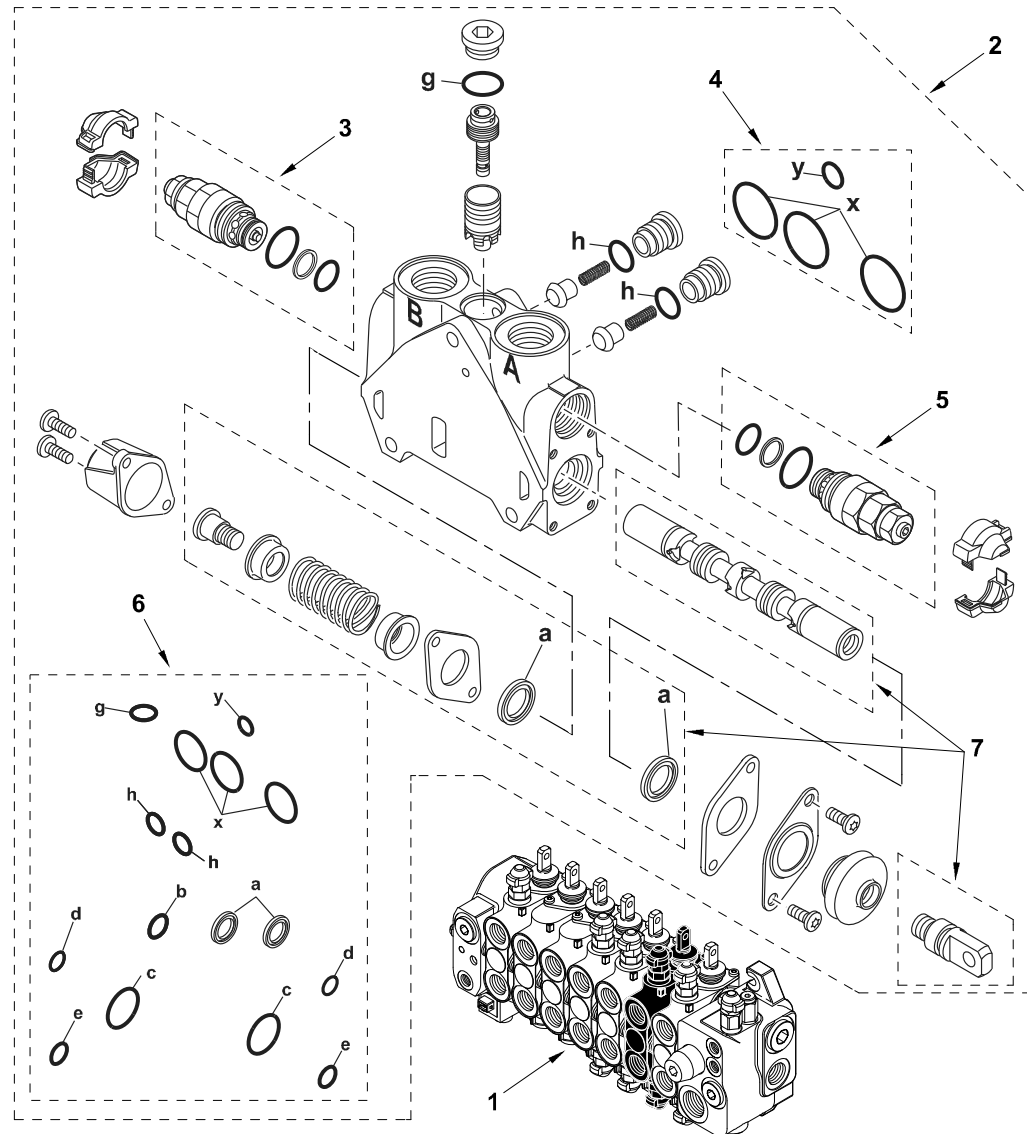
C-38003-03.1-B



Item	Part No.	Qty.	English	French	German	Spanish	Remarks
1	6109206M91	1	Valve-7sp Mech. Ss 08/401/331	Ensemble Distribution	Steuerventilblock Kpl.	Distribuidor, Conj.	
2	6194519M91	1	Element - Slew	Element - Soupape	Element - Ventil	Elemento - Válvula	
3	6193800M91	1	Pressure Relief Valve H 240 Bar	Valve Decharge	Druckbegrventil	Válvula De Seguridad	
4	6193771M91	1	Seal Interface Kit	Pochette De Joints	Dichsatz	Juego De Juntas	
5	6193800M91	1	Pressure Relief Valve H 240 Bar	Valve Decharge	Druckbegrventil	Válvula De Seguridad	
6	6193781M91	1	Seal Kit Complete	Jeu Etancheite	Dichtringsatz	Juege De Juntas	
7	6194829M91	1	Spool Kit (Slice - Slew)	Jeu Tiroir	Schieber Satz	Juego Carrete	



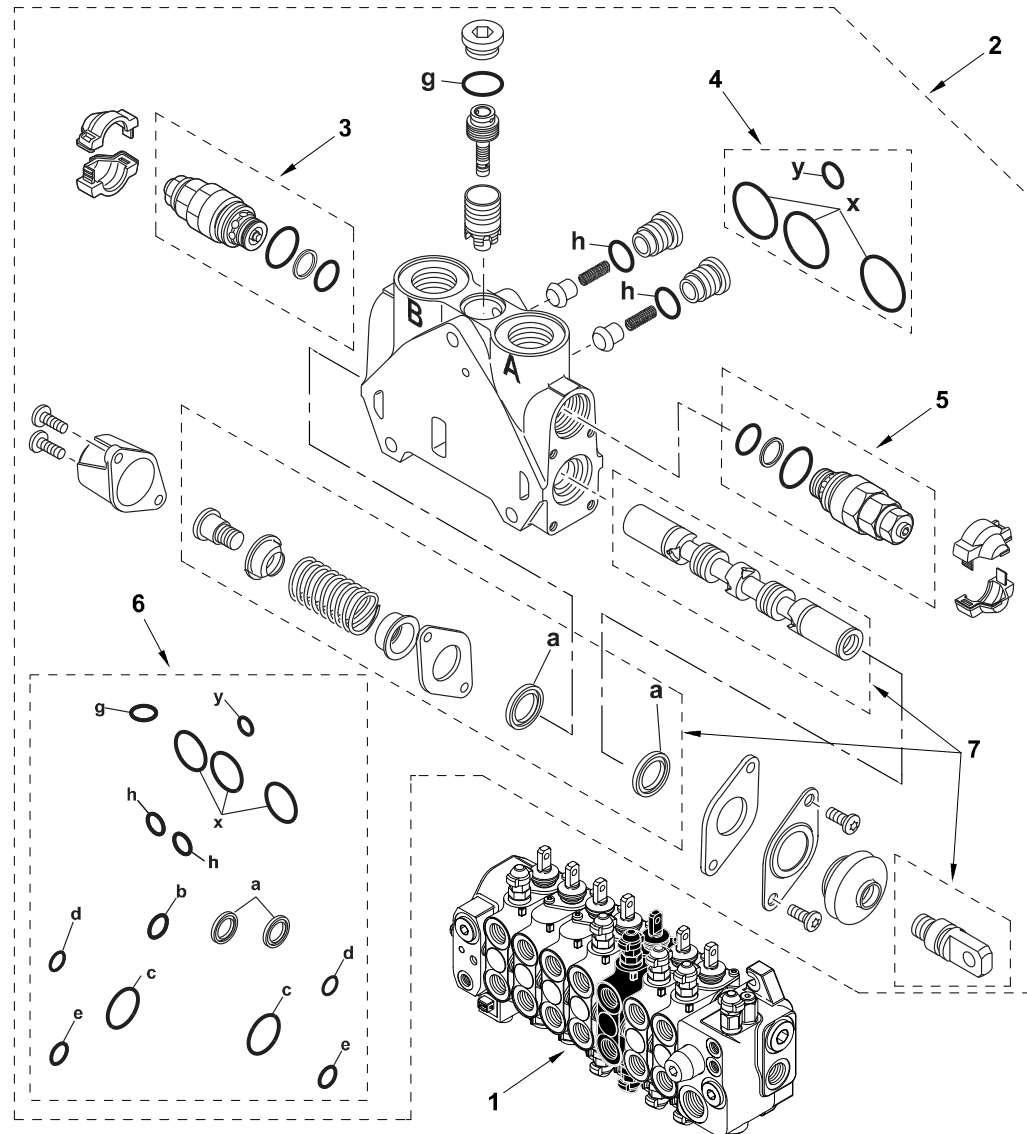
C-38003-04.1-B



Item	Part No.	Qty.	English	French	German	Spanish	Remarks
1	6109206M91	1	Valve-7sp Mech. Ss 08/401/331	Ensemble Distribution	Steuerventilblock Kpl.	Distribuidor, Conj.	
2	6194520M91	1	Element - Boom	Element - Soupape	Element - Ventil	Elemento - Válvula	
3	6193804M91	1	Pressure Relief Valve H (310 Bar)	Valve Decharge	Druckbegrventil	Válvula De Seguridad	
4	6193771M91	1	Seal Interface Kit	Pochette De Joints	Dichsatz	Juego De Juntas	
5	6193800M91	1	Pressure Relief Valve H 240 Bar	Valve Decharge	Druckbegrventil	Válvula De Seguridad	
6	6193781M91	1	Seal Kit Complete	Jeu Etancheite	Dichtringsatz	Juege De Juntas	
7	6194830M91	1	Spool Kit (Slice - Boom)	Jeu Tiroir	Schieber Satz	Juego Carrete	



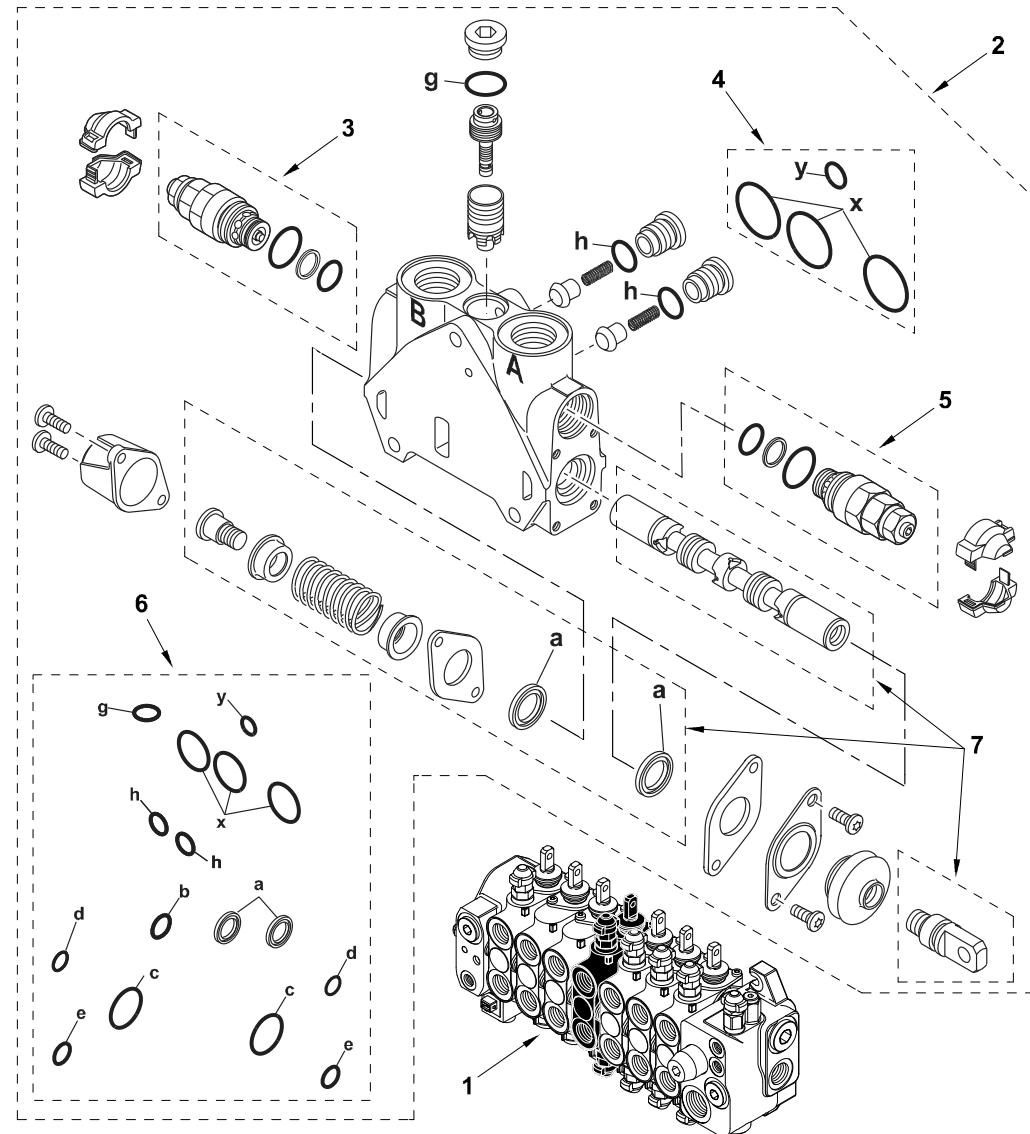
C-38003-05.1-B



Item	Part No.	Qty.	English	French	German	Spanish	Remarks
1	6109206M91	1	Valve-7sp Mech. Ss 08/401/331	Ensemble Distribution	Steuerventilblock Kpl.	Distribuidor, Conj.	
2	61934521M91	1	Element - Dipper	Element - Dipper	Element - Dipper	Element - Dipper	
3	6193802M91	1	Pressure Relief Valve H 265 Bar	Valve Decharge	Druckbegrventil	Válvula De Seguridad	
4	6193771M91	1	Seal Interface Kit	Pochette De Joints	Dichsatz	Juego De Juntas	
5	6193808M91	1	Pressure Relief Valve A 280 Bar	Valve Decharge	Druckbegrventil	Válvula De Seguridad	
6	6193781M91	1	Seal Kit Complete	Jeu Etancheite	Dichtringsatz	Juege De Juntas	
7	6194831M91	1	Spool Kit (Slice - Dipper)	Jeu Tiroir	Schieber Satz	Juego Carrete	



C-38003-06.1-B



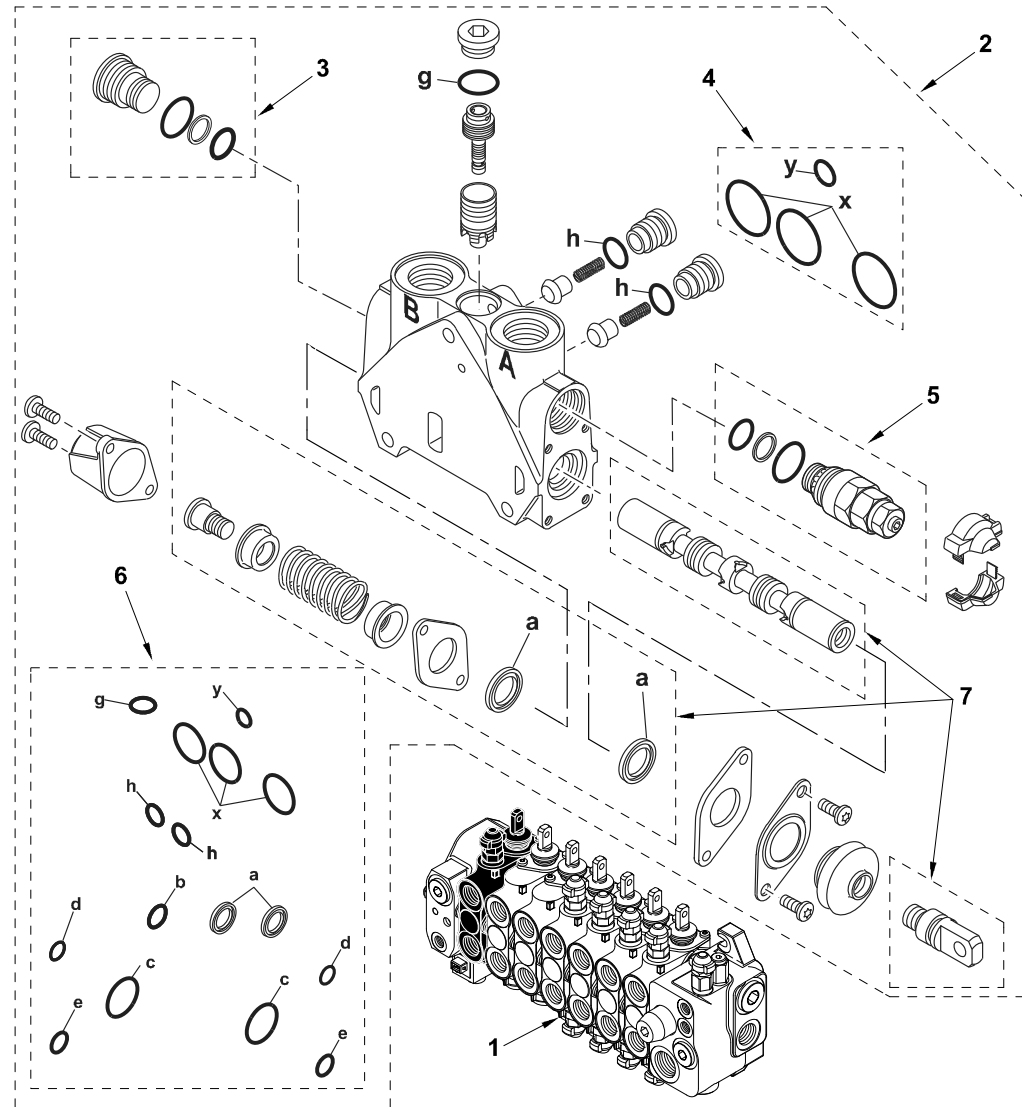


Item	Part No.	Qty.	English	French	German	Spanish	Remarks
1	6109206M91	1	Valve-7sp Mech. Ss 08/401/331	Ensemble Distribution	Steuerventilblock Kpl.	Distribuidor, Conj.	
2	6194522M91	1	Element - Busket	Element - Soupape	Element - Ventil	Elemento - Válvula	
3	6193805M91	1	Pressure Relief Valve H 280 Bar	Valve Decharge	Druckbegrventil	Válvula De Seguridad	
4	6193771M91	1	Seal Interface Kit	Pochette De Joints	Dichsatz	Juego De Juntas	
5	6193805M91	1	Pressure Relief Valve H 280 Bar	Valve Decharge	Druckbegrventil	Válvula De Seguridad	
6	6193781M91	1	Seal Kit Complete	Jeu Etancheite	Dichtringsatz	Juege De Juntas	
7	6194832M91	1	Spool Kit (Slice - Digger Bucket)	Jeu Tiroir	Schieber Satz	Juego Carrete	



<b>Item</b>	<b>Part No.</b>	<b>Qty.</b>	<b>English</b>	<b>French</b>	<b>German</b>	<b>Spanish</b>	<b>Remarks</b>
1	6109206M91	1	Valve-7sp Mech. Ss 08/401/331	Ensemble Distribution	Steuerventilblock Kpl.	Distribuidor, Conj.	
2	6194523M91	1	Element - Stabiliser	Element - Soupape	Element - Ventil	Elemento - Válvula	
3	6193771M91	1	Seal Interface Kit	Pochette De Joints	Dichsatz	Juego De Juntas	
4	6193781M91	1	Seal Kit Complete	Jeu Etancheite	Dichtringsatz	Juege De Juntas	
5	6194833M91	1	Spool Kit (Slice - Stabiliser)	Jeu Tiroir	Schieber Satz	Juego Carrete	

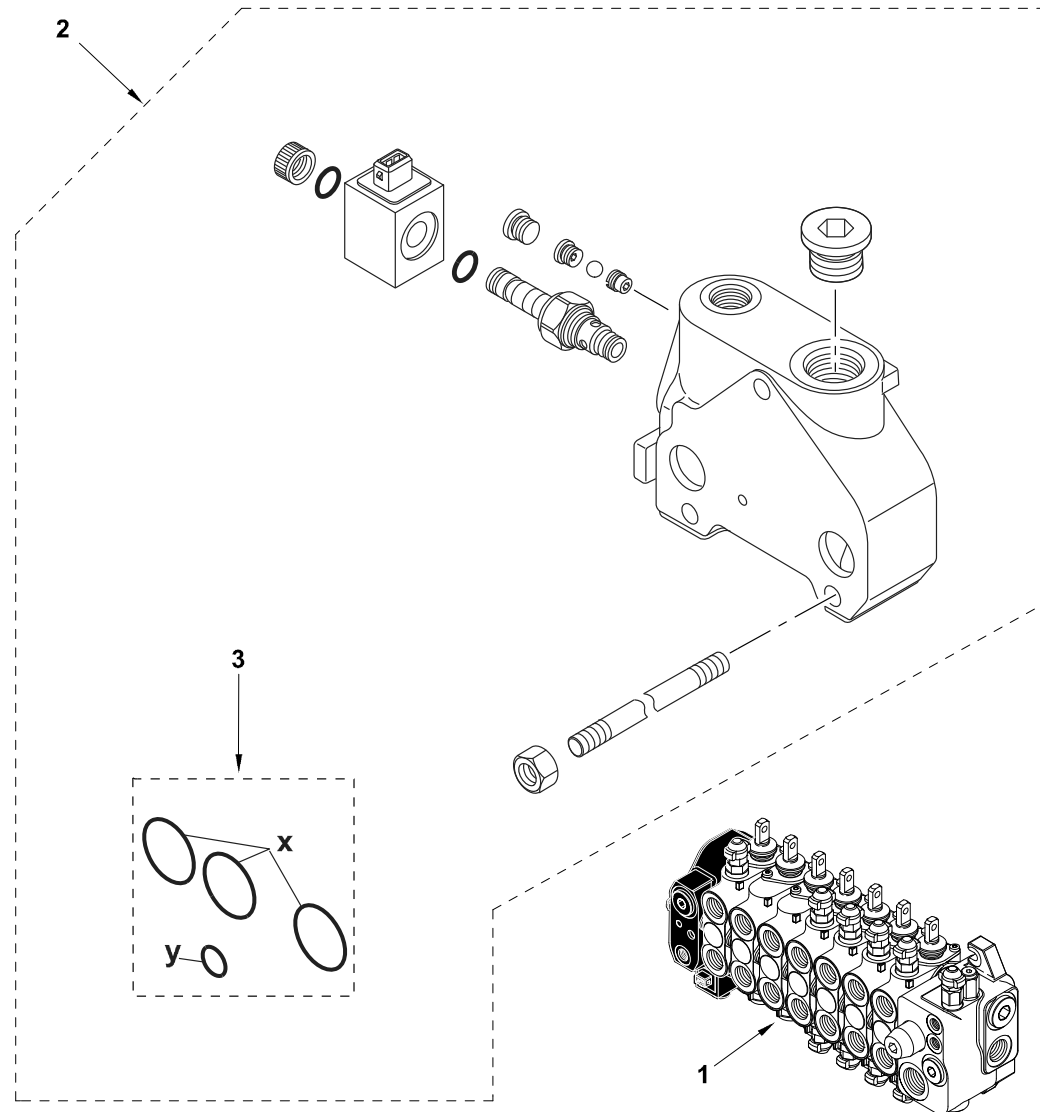
C-38003-08.1-B



Item	Part No.	Qty.	English	French	German	Spanish	Remarks
1	6109206M91	1	Valve-7sp Mech. Ss 08/401/331	Ensemble Distribution	Steuerventilblock Kpl.	Distribuidor, Conj.	
2	6194524M91	1	Element - Telescope	Element - Soupape	Element - Ventil	Elemento - Válvula	
3	6193785M91	1	Plug Q - Port B	Bouchon	Stopfen	Tapón, Conj.	
4	6193771M91	1	Seal Interface Kit	Pochette De Joints	Dichsatz	Juego De Juntas	
5	6193799M91	1	Pressure Relief Valve H (155 Bar)	Valve Decharge	Druckbegrventil	Válvula De Seguridad	
6	6193781M91	1	Seal Kit Complete	Jeu Etancheite	Dichtringsatz	Juege De Juntas	
7	6194834M91	1	Spool Kit (Slice - Extentible Dipper)	Jeu Tiroir	Schieber Satz	Juego Carrete	



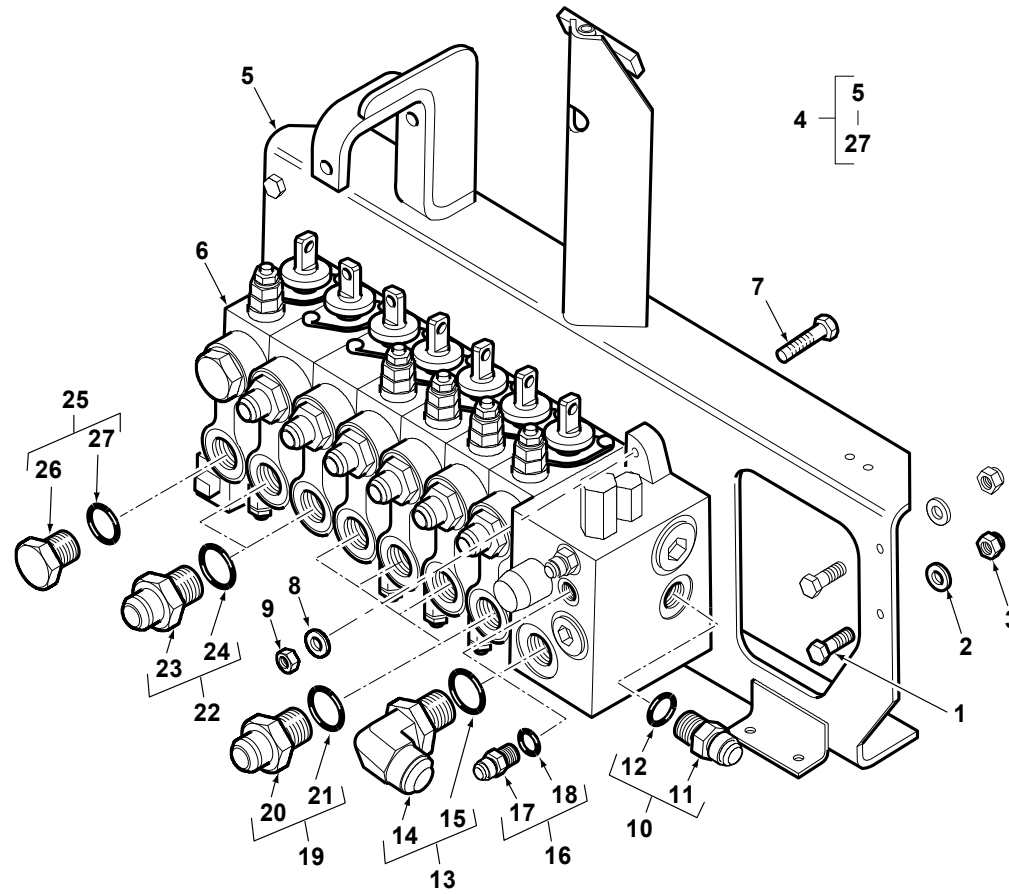
C-38003-09.1-A



<b>Item</b>	<b>Part No.</b>	<b>Qty.</b>	<b>English</b>	<b>French</b>	<b>German</b>	<b>Spanish</b>	<b>Remarks</b>
1	6109206M91	1	Valve-7sp Mech. Ss 08/401/331	Ensemble Distribution	Steuerventilblock Kpl.	Distribuidor, Conj.	
2	6194513M91	1	Element - Outlet	Element - Soupape	Element - Ventil	Elemento - Válvula	
3	6193771M91	1	Seal Interface Kit	Pochette De Joints	Dichsatz	Juego De Juntas	



C-38004-01.1-A

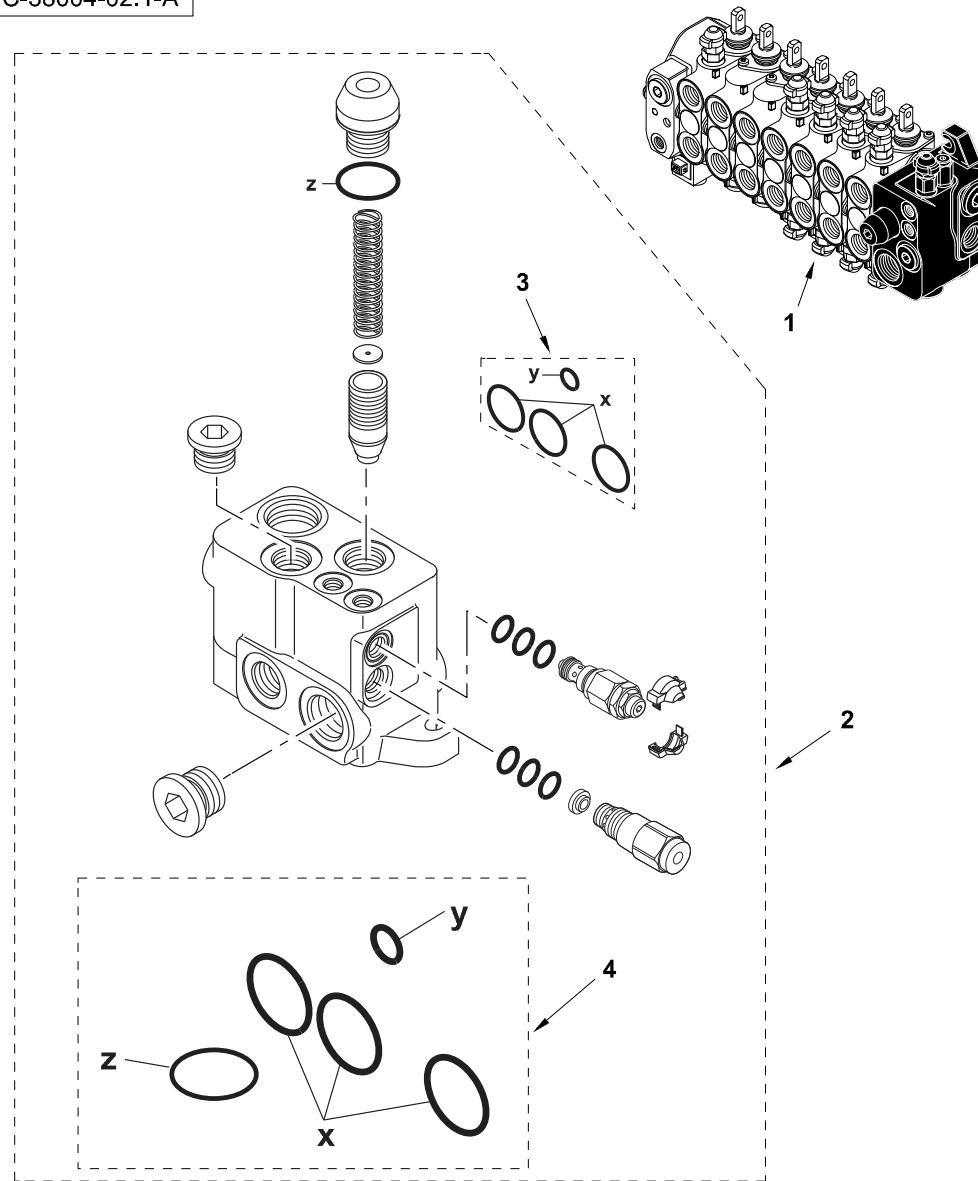




Item	Part No.	Qty.	English	French	German	Spanish	Remarks
1	3009493X1	4	Bolt M10-30 Z5c	Boulon M10 X 30	Maschschraube M10	Perno	
2	385362X1	4	Washer, Hardened - M10	Rondelle - M10	Unterlegscheibe M10	Arandela	
3	1440329X1	4	Nut, Hex. - Nyloc, M10	Ecrou Blocage	Flachmutter M10	Tuerca De Retención	
4	6110436M91	1	Valve Assy - Digger Cm Rexroth	Distributeur	Ventil Kpl	Distribuidor, Conj.	
5	6109344M93	1	Bracket- Digger Valve W/Assy	Ensemble Chaise Pali	Bremsanlage	Cuchara, Conj.	
6	6109457M91	1	Digger Valve - 7 Spool Mech C/M	Ensemble Distribution	Steuerventilblock Kpl.	Distribuidor, Conj.	
7	3009496X1	3	Bolt Hex - M10 X 45 (Coarse)	Boulon M10 X 45	Maschschraube - M10	Tornillo	
8	385362X1	3	Washer, Hardened - M10	Rondelle - M10	Unterlegscheibe M10	Arandela	
9	1440329X1	3	Nut, Hex. - Nyloc, M10	Ecrou Blocage	Flachmutter M10	Tuerca De Retención	
10	835057M91	1	Connector B1510m-12-12	Raccord	Schraubanschluss	Conexión, Conj.	
11	#UNION	1	Union	Union	Union	Union	Ref. 10
12	835025M1	1	Ring O	Joint Torique	O Ring	Junta De Tipo O	
13	358766X91	1	Elbow 90deg	Coude	Kniestück, 90	Codo, 90°	
14	#ELBOW	1	Elbow	Elbow	Elbow	Elbow	Ref. 13
15	835026M1	1	O-Ring	Joint Torique	O-Ring	Junta De Tipo O	
16	835091M91	2	Connector 9/16 Unf	Borne	Doppelnippel	Unión	
17	#UNION	1	Union	Union	Union	Union	Ref. 16
18	831452M1	1	O Ring (Pack Of 10)	Joint Torique	O Ring	Junta De Tipo O	
19	365715X91	8	Connector, Hydr.-Straight, 1 1/16 X 7/8	Borne	Doppelnippel	Conexión, Conj.	
20	#UNION	1	Union	Union	Union	Union	Ref. 19
21	835025M1	1	Ring O	Joint Torique	O Ring	Junta De Tipo O	
22	365713X91	4	Connector 1.1/16 - 3/4	Montage	Anschlverschrbg	Unión	
23	#UNION	1	Union	Union	Union	Union	Ref. 22
24	835025M1	1	Ring O	Joint Torique	O Ring	Junta De Tipo O	
25	835099M91	2	Plug 1.1/16	Bouchon	Stopfen	Tapón, Conj.	
26	#PLUG	1	Plug	Plug	Plug	Plug	Ref. 25
27	835025M1	1	Ring O	Joint Torique	O Ring	Junta De Tipo O	



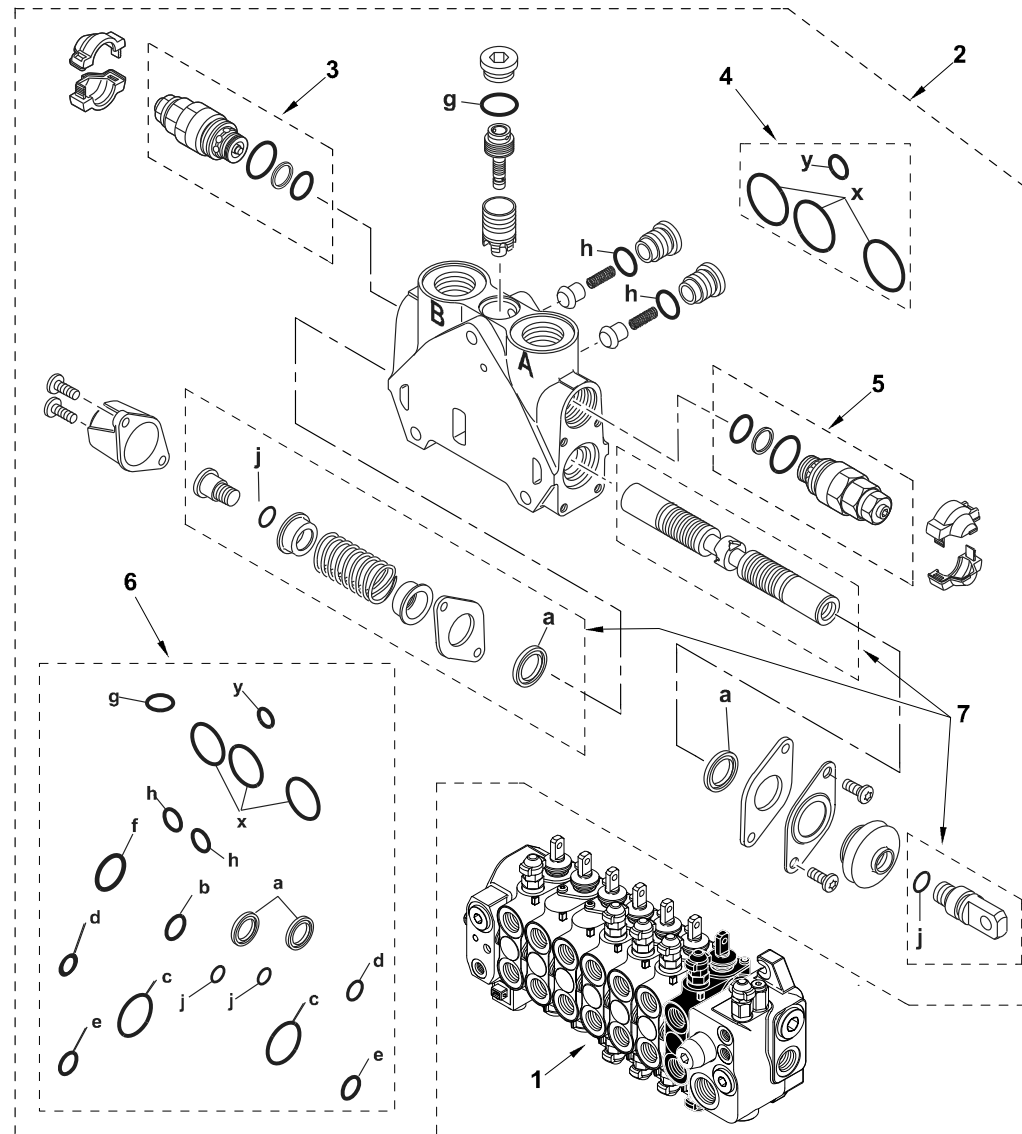
C-38004-02.1-A



<b>Item</b>	<b>Part No.</b>	<b>Qty.</b>	<b>English</b>	<b>French</b>	<b>German</b>	<b>Spanish</b>	<b>Remarks</b>
1	6109457M91	1	Digger Valve - 7 Spool Mech C/M	Ensemble Distribution	Steuerventilblock Kpl.	Distribuidor, Conj.	
2	6194534M91	1	Element - Inlet	Element - Soupape	Element - Ventil	Elemento - Válvula	
3	6193771M91	1	Seal Interface Kit	Pochette De Joints	Dichsatz	Juego De Juntas	
4	6193789M91	1	Seal Kit - Inlet Element	Jeu Étanchéité	Dichtringsatz	Juego De Juntas	

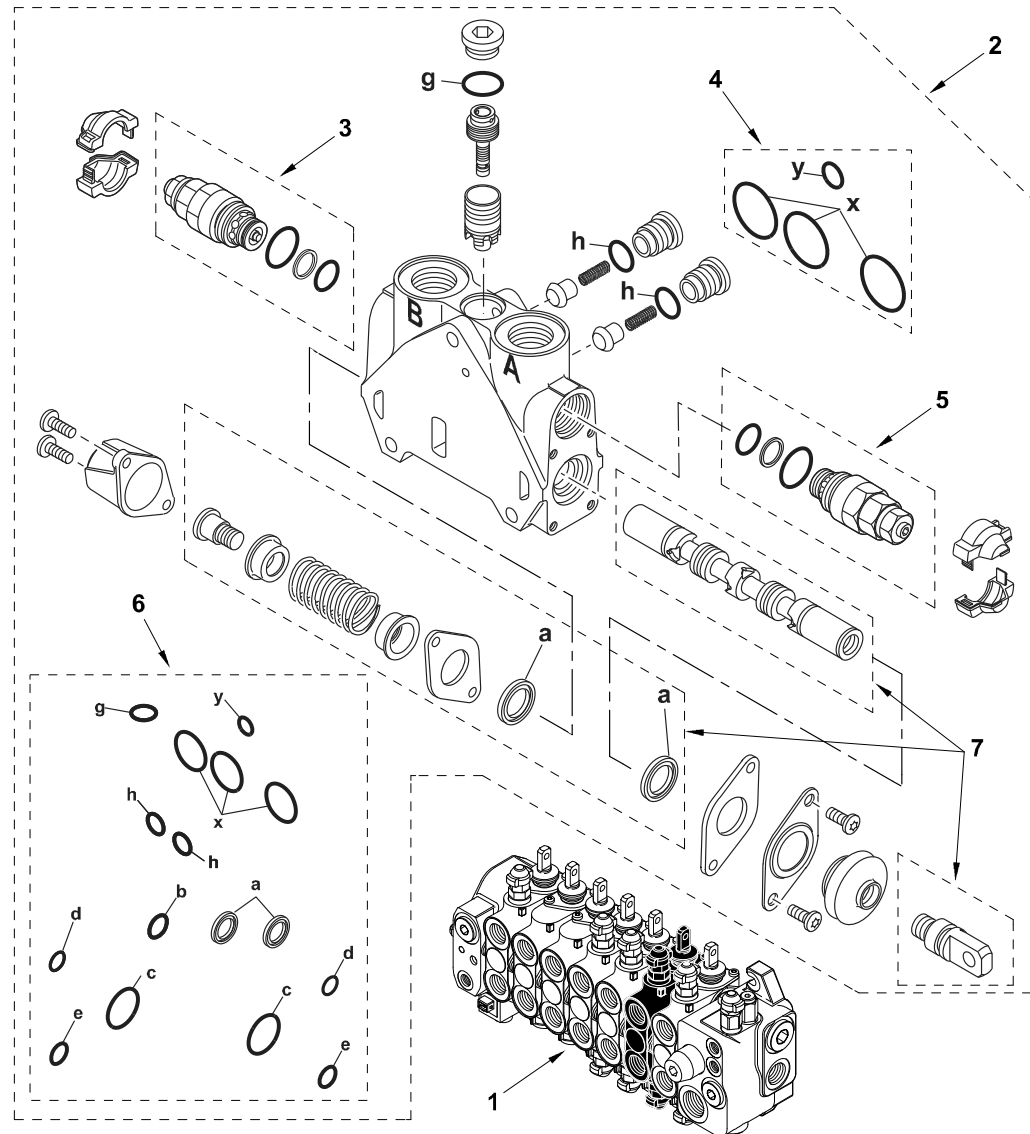


C-38004-03.1-B



Item	Part No.	Qty.	English	French	German	Spanish	Remarks
1	6109457M91	1	Digger Valve - 7 Spool Mech C/M	Ensemble Distribution	Steuerventilblock Kpl.	Distribuidor, Conj.	
2	6194519M91	1	Element - Slew	Element - Soupape	Element - Ventil	Elemento - Válvula	
3	6193800M91	1	Pressure Relief Valve H 240 Bar	Valve Decharge	Druckbegrventil	Válvula De Seguridad	
4	6193771M91	1	Seal Interface Kit	Pochette De Joints	Dichsatz	Juego De Juntas	
5	6193800M91	1	Pressure Relief Valve H 240 Bar	Valve Decharge	Druckbegrventil	Válvula De Seguridad	
6	6194518M91	1	Seal Kit	Jeu Etancheite	Dichtringsatz	Juego De Juntas	
7	6194829M91	1	Spool Kit (Slice - Slew)	Jeu Tiroir	Schieber Satz	Juego Carrete	

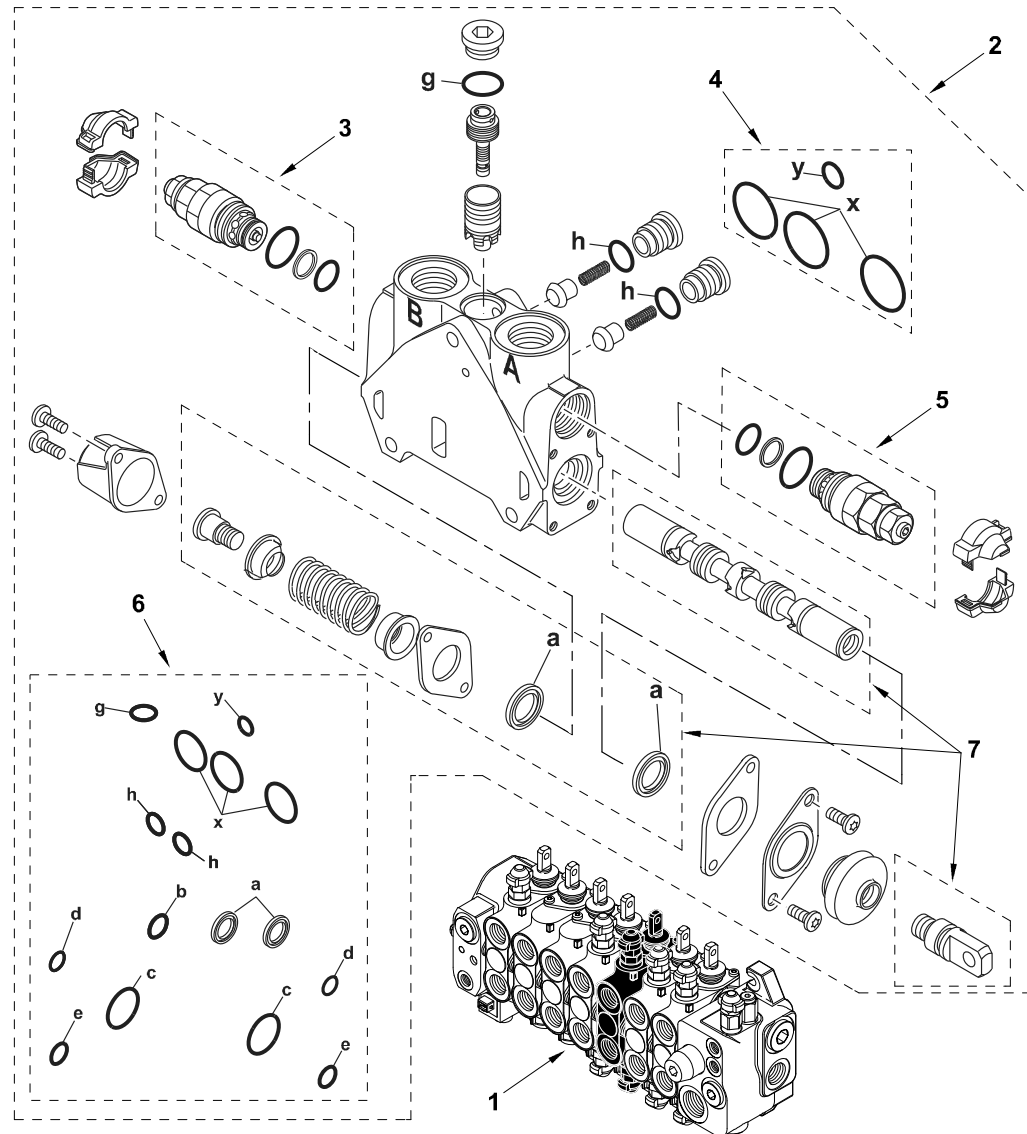
C-38004-04.1-B



Item	Part No.	Qty.	English	French	German	Spanish	Remarks
1	6109457M91	1	Digger Valve - 7 Spool Mech C/M	Ensemble Distribution	Steuerventilblock Kpl.	Distribuidor, Conj.	
2	6194520M91	1	Element - Boom	Element - Soupape	Element - Ventil	Elemento - Válvula	
3	6193804M91	1	Pressure Relief Valve H (310 Bar)	Valve Decharge	Druckbegrventil	Válvula De Seguridad	
4	6193771M91	1	Seal Interface Kit	Pochette De Joints	Dichsatz	Juego De Juntas	
5	6193799M91	1	Pressure Relief Valve H (155 Bar)	Valve Decharge	Druckbegrventil	Válvula De Seguridad	
6	6193781M91	1	Seal Kit Complete	Jeu Etancheite	Dichtringsatz	Juege De Juntas	
7	6194830M91	1	Spool Kit (Slice - Boom)	Jeu Tiroir	Schieber Satz	Juego Carrete	



C-38004-05.1-B

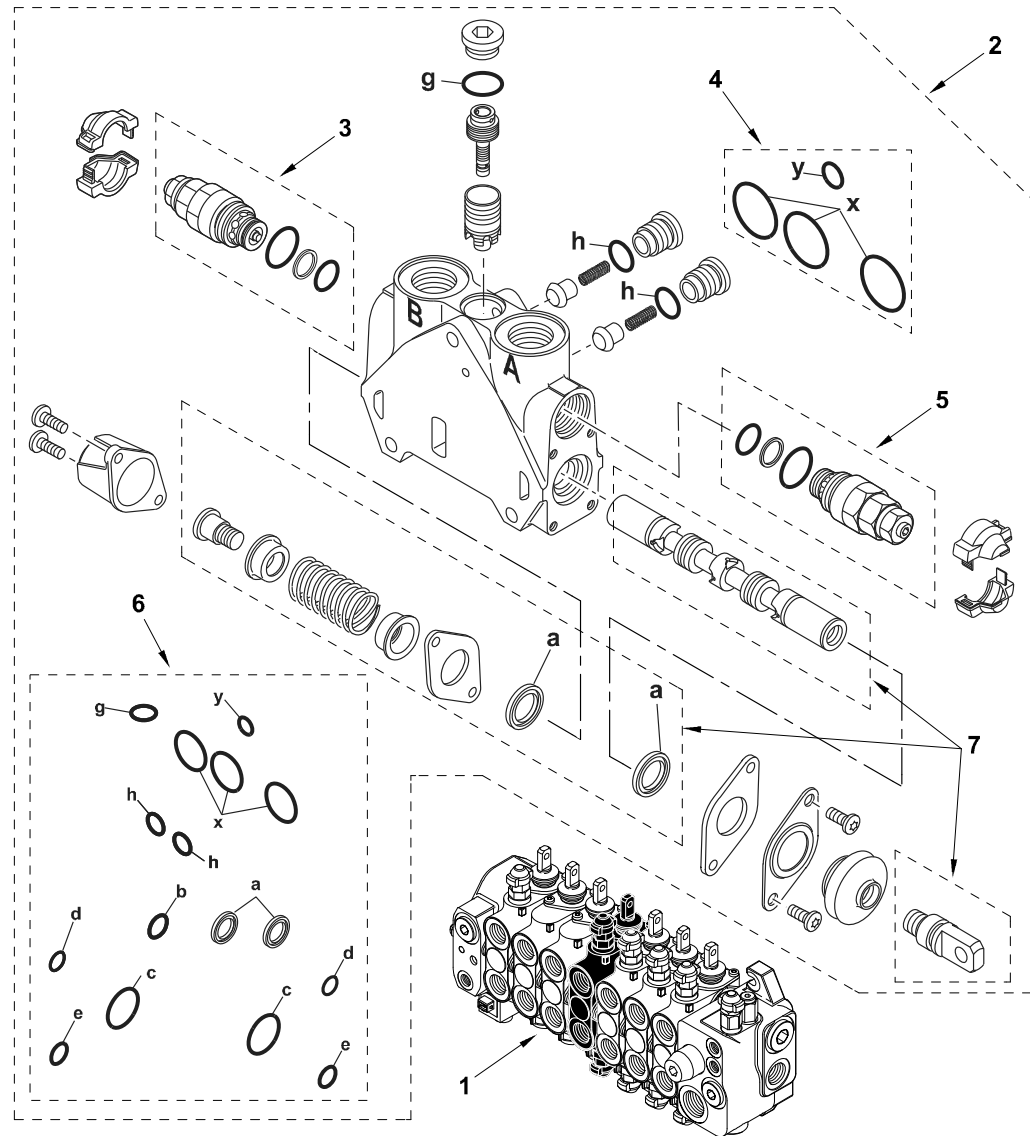




Item	Part No.	Qty.	English	French	German	Spanish	Remarks
1	6109457M91	1	Digger Valve - 7 Spool Mech C/M	Ensemble Distribution	Steuerventilblock Kpl.	Distribuidor, Conj.	
2	6194521M91	1	Element - Dipper	Element - Soupape	Element - Ventil	Elemento - Válvula	
3	6193802M91	1	Pressure Relief Valve H 265 Bar	Valve Decharge	Druckbegrventil	Válvula De Seguridad	
4	6193771M91	1	Seal Interface Kit	Pochette De Joints	Dichsatz	Juego De Juntas	
5	6193808M91	1	Pressure Relief Valve A 280 Bar	Valve Decharge	Druckbegrventil	Válvula De Seguridad	
6	6193781M91	1	Seal Kit Complete	Jeu Etancheite	Dichtringsatz	Juege De Juntas	
7	6194831M91	1	Spool Kit (Slice - Dipper)	Jeu Tiroir	Schieber Satz	Juego Carrete	

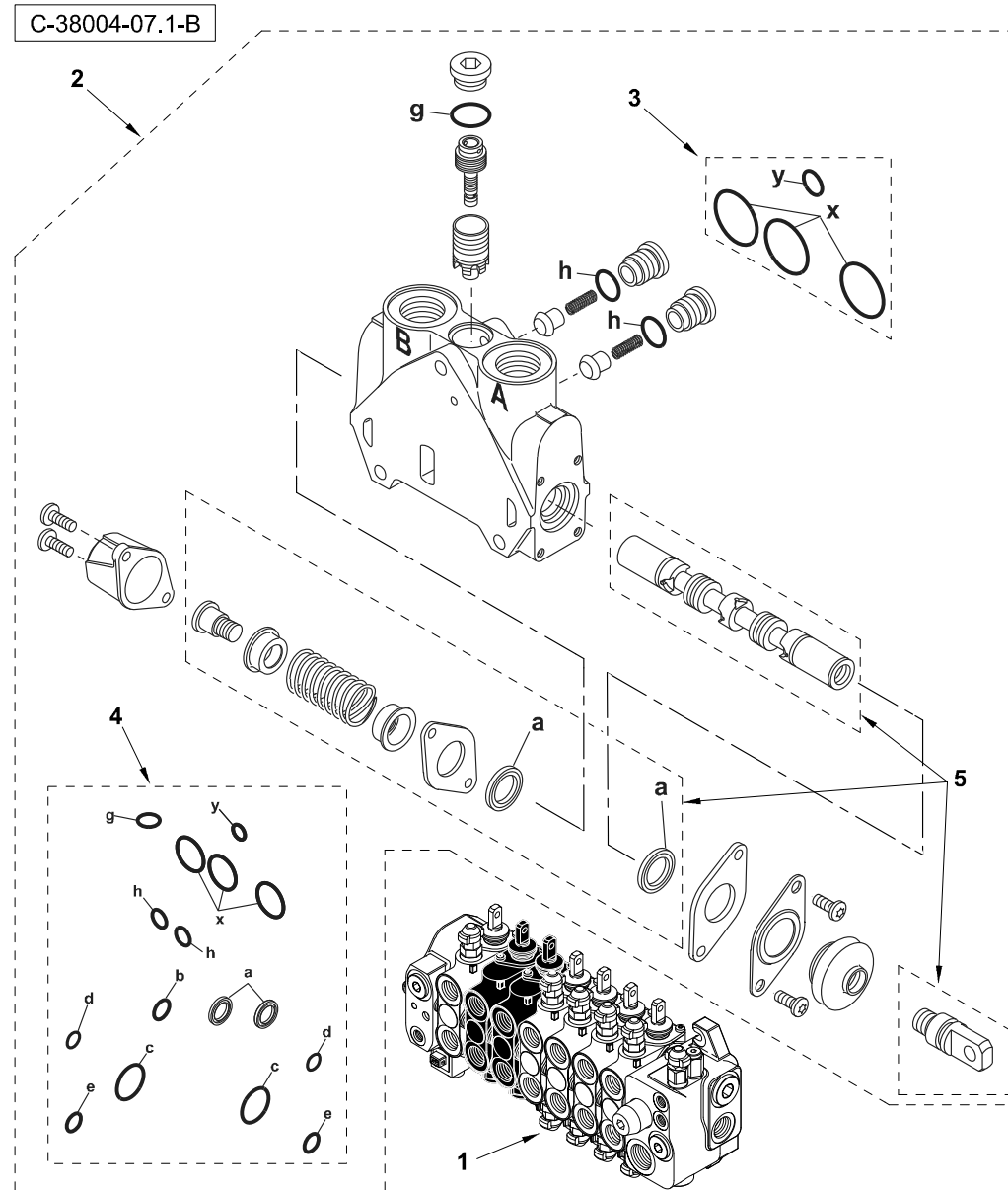


C-38004-06.1-B



Item	Part No.	Qty.	English	French	German	Spanish	Remarks
1	6109457M91	1	Digger Valve - 7 Spool Mech C/M	Ensemble Distribution	Steuerventilblock Kpl.	Distribuidor, Conj.	
2	6194522M91	1	Element - Busket	Element - Soupape	Element - Ventil	Elemento - Válvula	
3	6193805M91	1	Pressure Relief Valve H 280 Bar	Valve Decharge	Druckbegrventil	Válvula De Seguridad	
4	6193771M91	1	Seal Interface Kit	Pochette De Joints	Dichsatz	Juego De Juntas	
5	6193805M91	1	Pressure Relief Valve H 280 Bar	Valve Decharge	Druckbegrventil	Válvula De Seguridad	
6	6193781M91	1	Seal Kit Complete	Jeu Etancheite	Dichtringsatz	Juege De Juntas	
7	6194832M91	1	Spool Kit (Slice - Digger Bucket)	Jeu Tiroir	Schieber Satz	Juego Carrete	

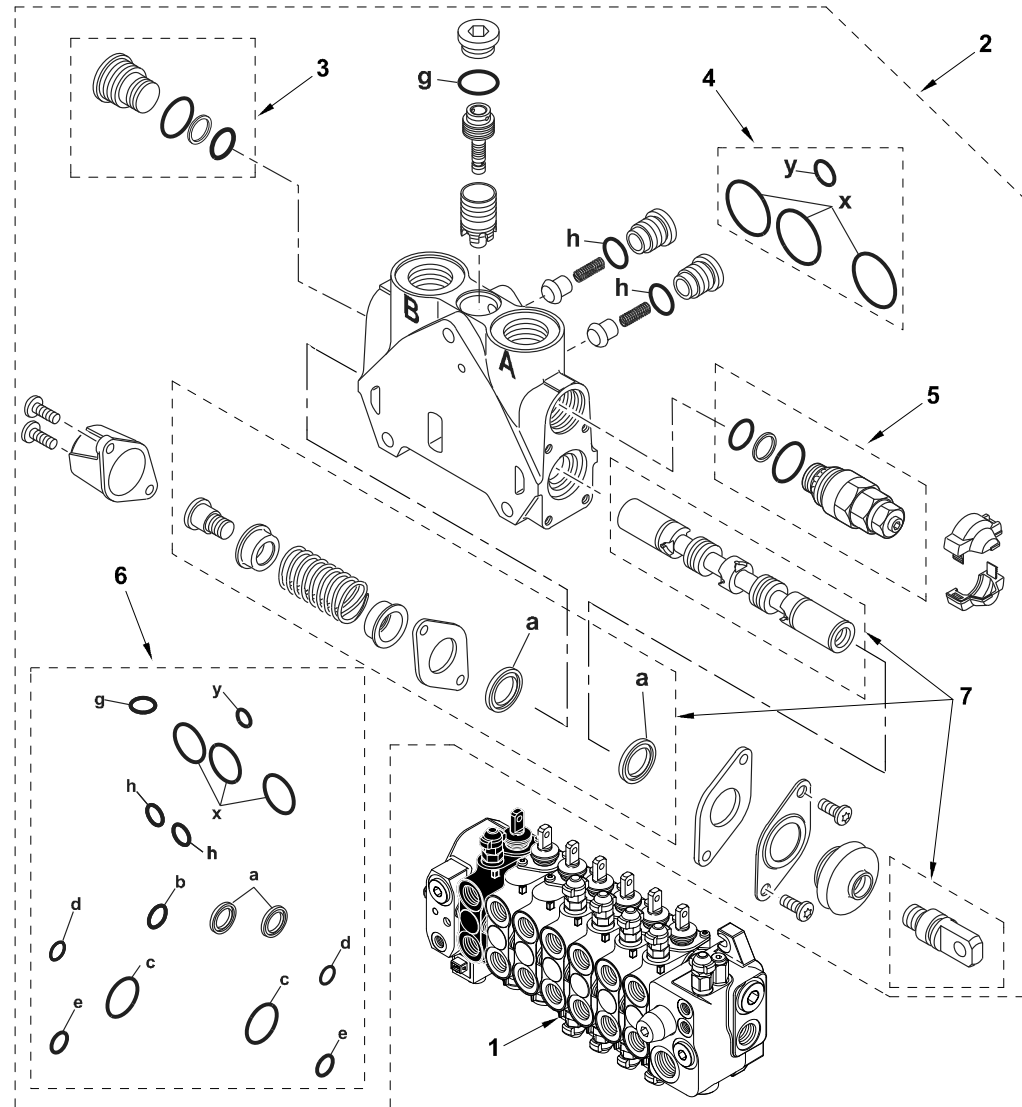




<b>Item</b>	<b>Part No.</b>	<b>Qty.</b>	<b>English</b>	<b>French</b>	<b>German</b>	<b>Spanish</b>	<b>Remarks</b>
1	6109457M91	1	Digger Valve - 7 Spool Mech C/M	Ensemble Distribution	Steuerventilblock Kpl.	Distribuidor, Conj.	
2	6194523M91	1	Element - Stabiliser	Element - Soupape	Element - Ventil	Elemento - Válvula	
3	6193771M91	1	Seal Interface Kit	Pochette De Joints	Dichsatz	Juego De Juntas	
4	6193781M91	1	Seal Kit Complete	Jeu Etancheite	Dichtringsatz	Juege De Juntas	
5	6194833M91	1	Spool Kit (Slice - Stabiliser)	Jeu Tiroir	Schieber Satz	Juego Carrete	



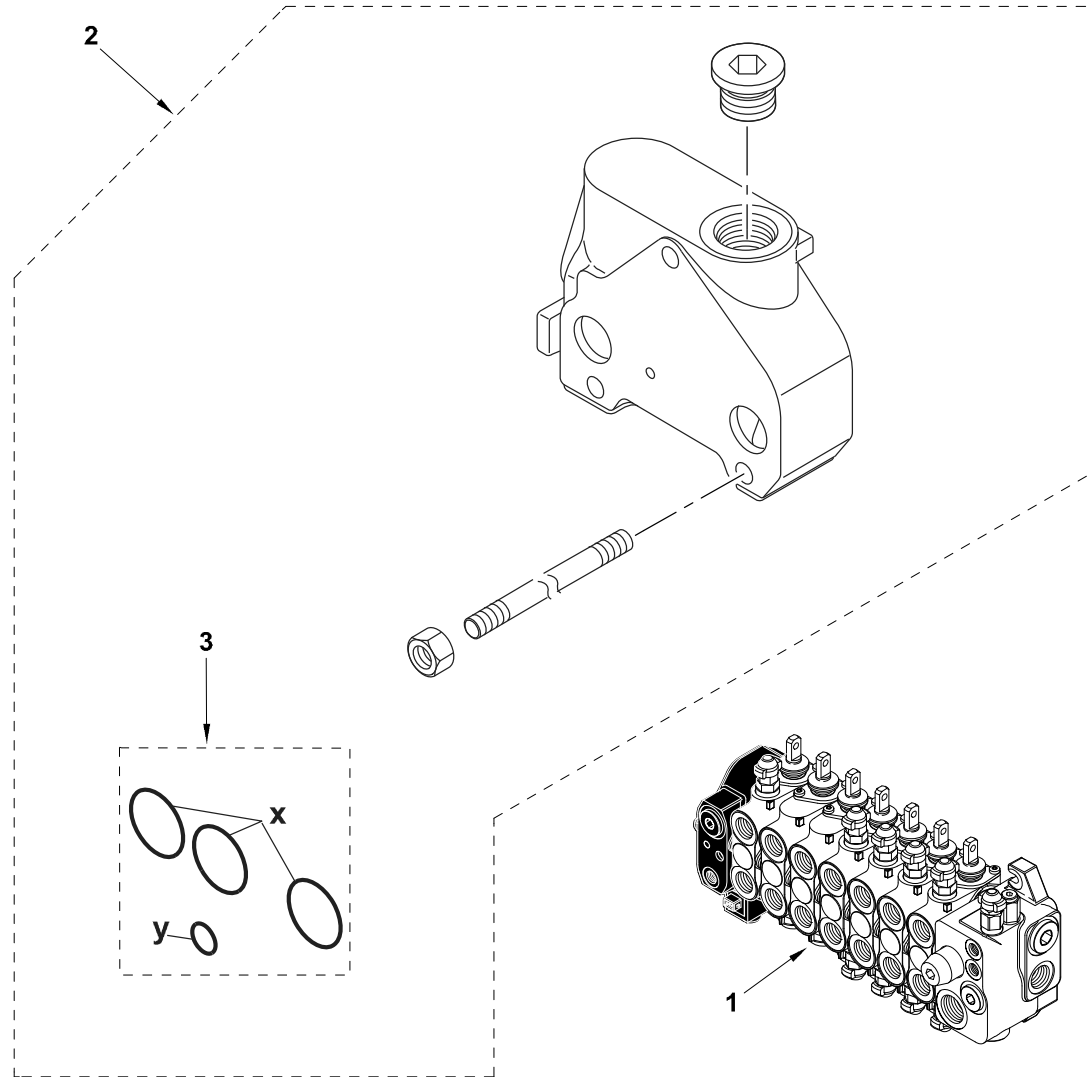
C-38004-08.1-B



Item	Part No.	Qty.	English	French	German	Spanish	Remarks
1	6109457M91	1	Digger Valve - 7 Spool Mech C/M	Ensemble Distribution	Steuerventilblock Kpl.	Distribuidor, Conj.	
2	6194524M91	1	Element - Telescope	Element - Soupape	Element - Ventil	Elemento - Válvula	
3	6193785M91	1	Plug Q - Port B	Bouchon	Stopfen	Tapón, Conj.	
4	6193771M91	1	Seal Interface Kit	Pochette De Joints	Dichsatz	Juego De Juntas	
5	6193799M91	1	Pressure Relief Valve H (155 Bar)	Valve Decharge	Druckbegrventil	Válvula De Seguridad	
6	6193781M91	1	Seal Kit Complete	Jeu Etancheite	Dichtringsatz	Juege De Juntas	
7	6194834M91	1	Spool Kit (Slice - Extentible Dipper)	Jeu Tiroir	Schieber Satz	Juego Carrete	



C-38004-09.1-A

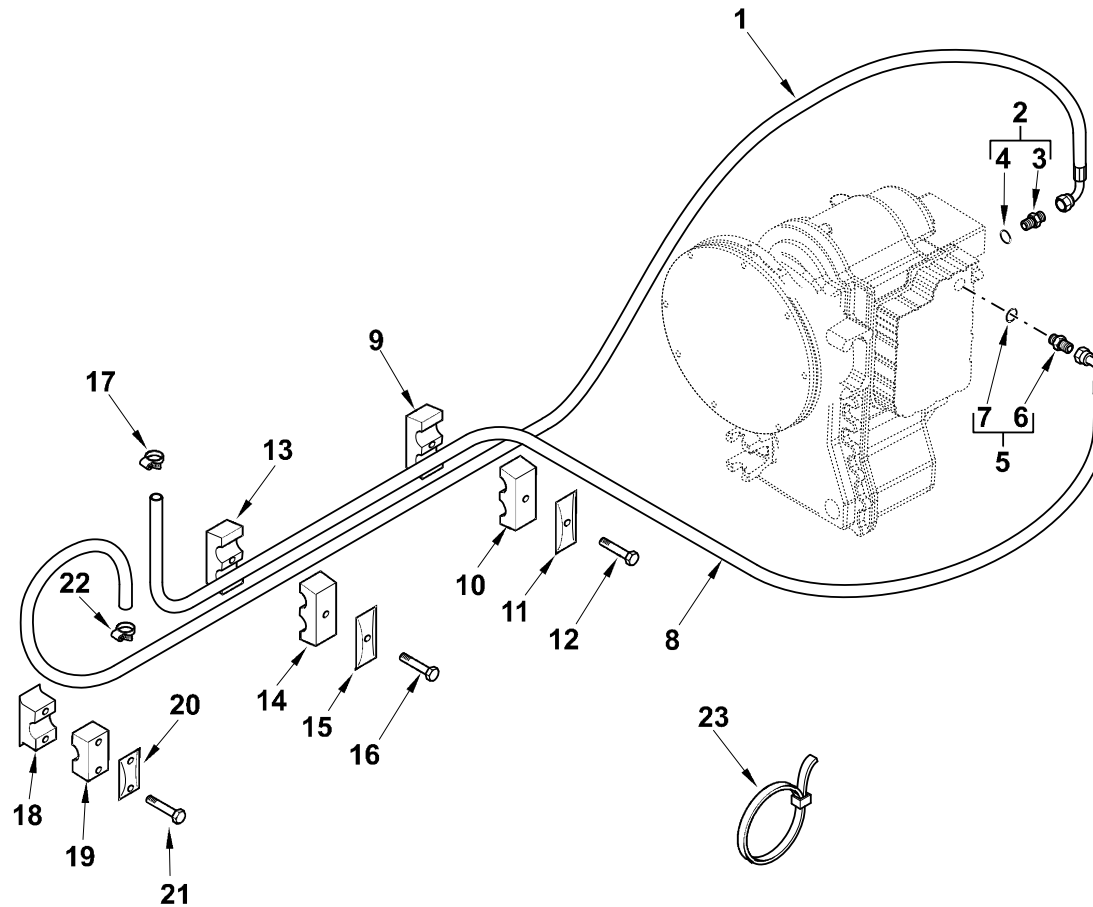




<b>Item</b>	<b>Part No.</b>	<b>Qty.</b>	<b>English</b>	<b>French</b>	<b>German</b>	<b>Spanish</b>	<b>Remarks</b>
1	6109457M91	1	Digger Valve - 7 Spool Mech C/M	Ensemble Distribution	Steuerventilblock Kpl.	Distribuidor, Conj.	
2	6194516M91	1	Element - Outlet	Element - Soupape	Element - Ventil	Elemento - Válvula	
3	6193771M91	1	Seal Interface Kit	Pochette De Joints	Dichsatz	Juego De Juntas	

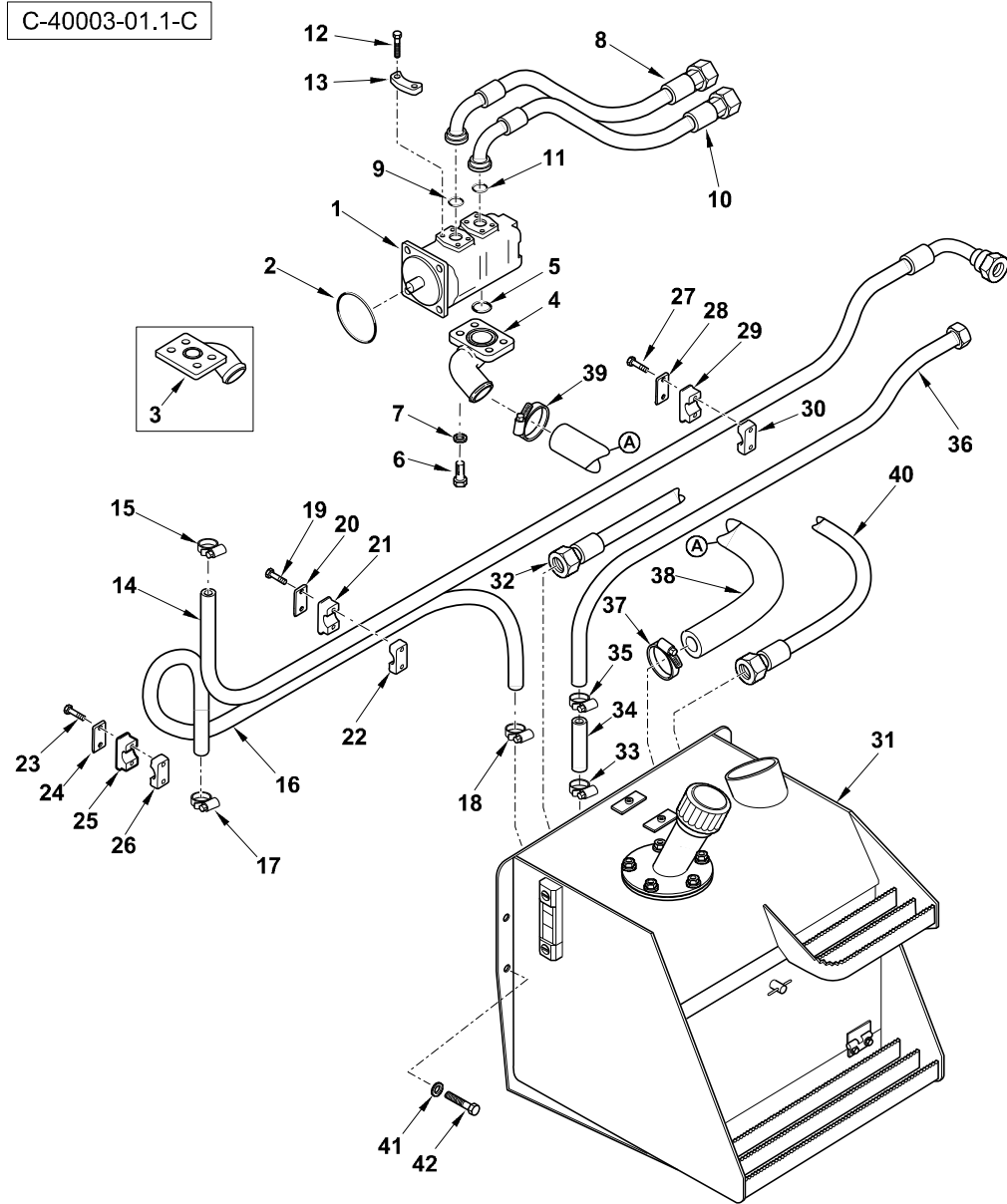


C-39002-01.1-B



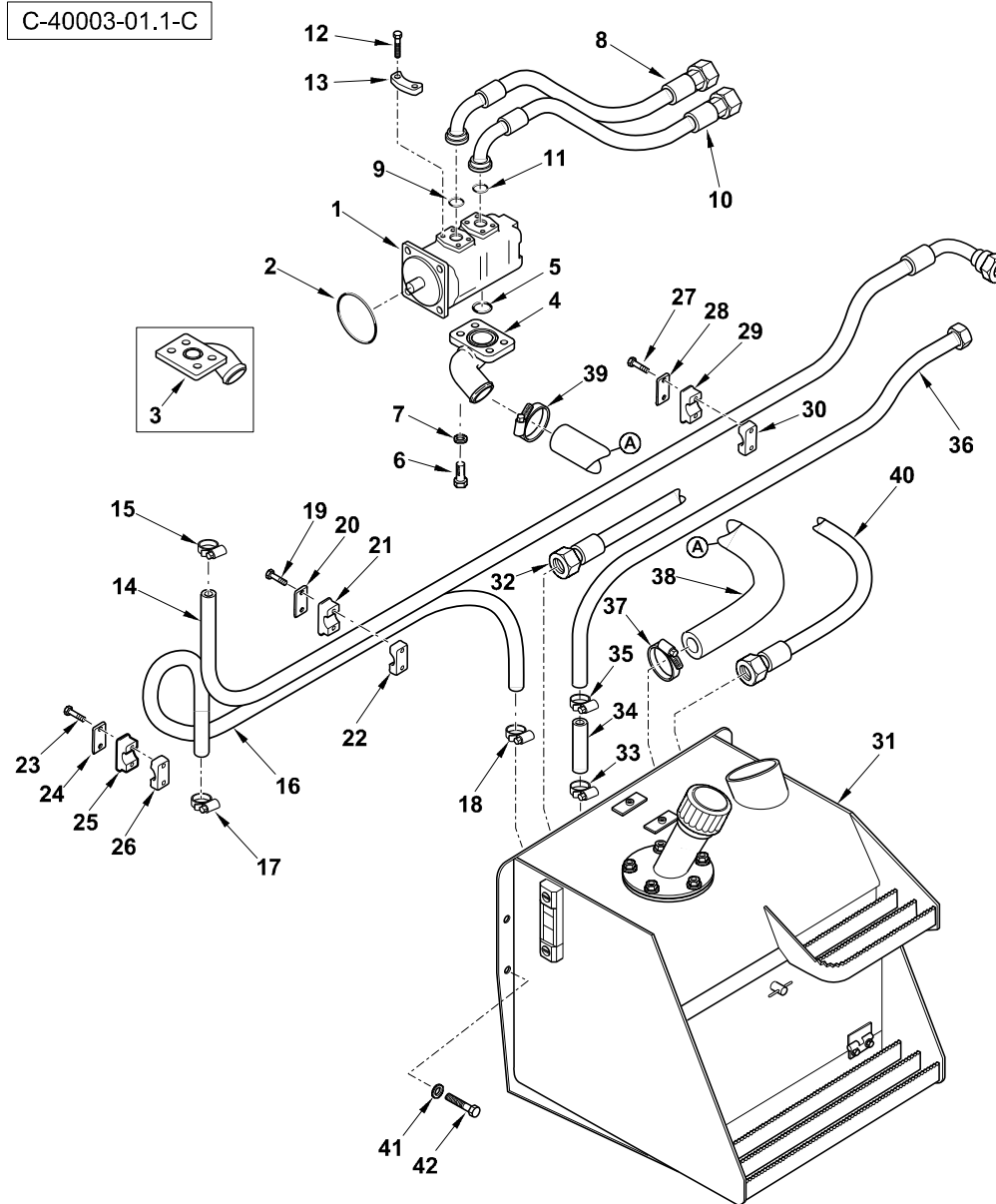
Item	Part No.	Qty.	English	French	German	Spanish	Remarks
1	6109474M91	1	Hose Assy - Cooler To Trans	Flexible Hyd.	Hydraulschlauch	Flexible, Conj.	
2	365715X91	1	Connector, Hydr.-Straight, 1 1/16 X 7/8	Borne	Doppelnippel	Conexión, Conj.	
3	#UNION	1	Union	Union	Union	Union	Ref. 2
4	835025M1	1	Ring O	Joint Torique	O Ring	Junta De Tipo O	
5	365715X91	1	Connector, Hydr.-Straight, 1 1/16 X 7/8	Borne	Doppelnippel	Conexión, Conj.	
6	#UNION	1	Union	Union	Union	Union	Ref. 5
7	835025M1	1	Ring O	Joint Torique	O Ring	Junta De Tipo O	
8	6109475M91	1	Hose Assy - Trans To Cooler	Flexible Hyd.	Hydraulschlauch	Flexible, Conj.	
9	6107502M1	1	Clamp-Tube	Collier De Serrage	Klemme	Argolla De Cierre	
10	6107502M1	1	Clamp-Tube	Collier De Serrage	Klemme	Argolla De Cierre	
11	1470376M1	1	Top Plate-Clamp	Plaque	Platte	Placa	
12	339011X1	1	Bolt M8-45 Z5s	Boulon	Schraube	Perno	
13	6107502M1	1	Clamp-Tube	Collier De Serrage	Klemme	Argolla De Cierre	
14	6107502M1	1	Clamp-Tube	Collier De Serrage	Klemme	Argolla De Cierre	
15	1470376M1	1	Top Plate-Clamp	Plaque	Platte	Placa	
16	339011X1	1	Bolt M8-45 Z5s	Boulon	Schraube	Perno	
17	3517410M1	1	Clip Hose 16/25	Bride Pour Tutaux	Schlauchschelle	Clip	
18	3520340M3	1	Clamp Tube	Collier De Serrage	Halteschelle	Argolla De Cierre	
19	6102788M1	1	Fixing Bracket	Patte Fixation	Halter	Brida De Fijación	
20	1462583M1	1	Plate-Clamp	Plaque	Platte	Placa	
21	391244X1	2	Bolt M6-45 Z5s	Goupille	Bolzen - M6 X 45	Perno	
22	3517410M1	1	Clip Hose 16/25	Bride Pour Tutaux	Schlauchschelle	Clip	
23	1876229M1	3	Tie 270mm Lk2a	Attache Câble	Kabelbinder	Enlace De Cable	





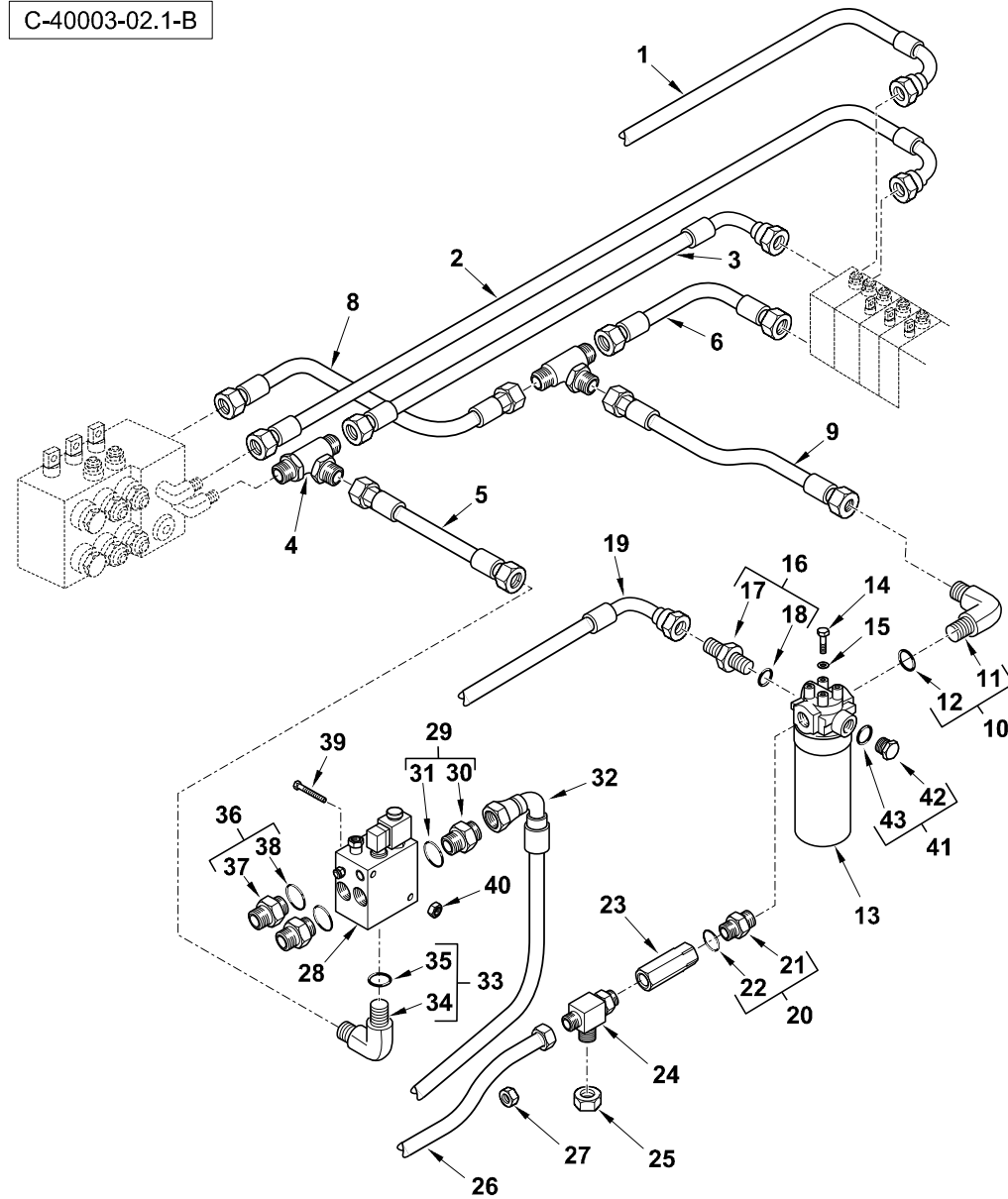
Item	Part No.	Qty.	English	French	German	Spanish	Remarks
1	6111153M93	1	Pump - Hydraulic 160 Litres/Min (4 Bolt)	Pompe Hydraulique	Hydropumpe	Bomba Hidraulica	See 40003c06.2
2	6109215M2	1	O Ring - Hydraulic Pump	Joint Torique	O - Ring	Junta De Tipo O	
3	6109377M1	1	Elbow - Suction	Coude	Winkelstuck	Bloque Codo	Ec06/108
4	6110434M1	1	Elbow - Suction	Coude	Winkelstuck	Bloque Codo	Ec06/108
5	6110711M1	1	'o' - Ring	Joint Torique	'o' - Ring	Junta De Tipo O	
6	1440356X1	4	Soc.Hd.Screw M12 X 30	Vis	Schraube	Tornillo	
7	339369X1	4	Washer M12-22-2 Zsp	Rondelle Frein	Federring - M12	Arandela De Freno	
8	6109122M91	1	Hose Assy - Pump To Unloader	Flexible Ass.	Schlauch Kplt	Flexible, Conj.	
9	851145M1	1	Ring O	Joint Torique	O - Ring	Junta De Tipo O	
10	6109122M91	1	Hose Assy - Pump To Unloader	Flexible Ass.	Schlauch Kplt	Flexible, Conj.	
11	851145M1	1	Ring O	Joint Torique	O - Ring	Junta De Tipo O	
12	3009493X1	8	Bolt M10-30 Z5c	Boulon M10 X 30	Maschschraube M10	Perno	
13	3521551M1	4	Bracket Clamp	Patte Fixation	Halter	Brida De Fijación	
14	6109056M91	1	Hose Assy - Filter To Cooler	Flexible Hyd.	Hydrauschlauch	Flexible, Conj.	
15	3517410M1	1	Clip Hose 16/25	Bride Pour Tutaux	Schlauchschelle	Clip	
16	6109689M1	1	Hose 5/8 Sae Cooler To Tank	Flexible Hyd.	Hydrauschlauch	Tubo Flexible	
17	3517410M1	1	Clip Hose 16/25	Bride Pour Tutaux	Schlauchschelle	Clip	
18	3517410M1	1	Clip Hose 16/25	Bride Pour Tutaux	Schlauchschelle	Clip	
19	339011X1	2	Bolt M8-45 Z5s	Boulon	Schraube	Perno	
20	1470376M1	2	Top Plate-Clamp	Plaque	Platte	Placa	
21	6107502M1	2	Clamp-Tube	Collier De Serrage	Klemme	Argolla De Cierre	
22	6107502M1	2	Clamp-Tube	Collier De Serrage	Klemme	Argolla De Cierre	
23	391244X1	1	Bolt M6-45 Z5s	Goupille	Bolzen - M6 X 45	Perno	
24	1462583M1	1	Plate-Clamp	Plaque	Platte	Placa	
25	6102788M1	1	Fixing Bracket	Patte Fixation	Halter	Brida De Fijación	
26	3520340M3	1	Clamp Tube	Collier De Serrage	Halteschelle	Argolla De Cierre	
27	391244X1	1	Bolt M6-45 Z5s	Goupille	Bolzen - M6 X 45	Perno	
28	1462583M1	1	Plate-Clamp	Plaque	Platte	Placa	
29	6102788M1	1	Fixing Bracket	Patte Fixation	Halter	Brida De Fijación	
30	3520340M3	1	Clamp Tube	Collier De Serrage	Halteschelle	Argolla De Cierre	





Item	Part No.	Qty.	English	French	German	Spanish	Remarks
31	6112229M91	1	Hyd Tank/Battery Box Assy Hla	Ensemble De Réservoir	Behälter Kpl.	Deposito Hidrau.	40003c05.1 1
32	6109619M91	1	Hose Assy - Unloader To Tank	Flexible Ass.	Schlauch Kplt	Flexible, Conj.	
33	3517738M1	1	Clip Hose 25/40	Bride Pour Tutaux	Schlauchschelle	Clip	
34	6109065M1	1	Hose	Flexible	Schlauch	Tubo Flexible	
35	3517738M1	1	Clip Hose 25/40	Bride Pour Tutaux	Schlauchschelle	Clip	
36	6109073M91	1	Tube Assy - Filter To Tank	Tuyauterie	Rohrleitung Kplt	Conjunto De Tubería	
37	6114400M1	1	Clip Hose 50/70	Collier Durit	Schlauchschelle	Clip Manguera	
38	6111532M1	1	Hose Suction Ps	Flexible	Schlauch	Tubo Flexible	Ec06/108
38	6109242M1	1	Hose - Suction	Flexible	Schlauch	Tubo Flexible	Ec06/108
39	6114400M1	1	Clip Hose 50/70	Collier Durit	Schlauchschelle	Clip Manguera	
40	6109395M91	1	Hose Assy - Valve To Tank	Flexible Ass.	Schlauch Kplt	Flexible, Conj.	
41	391212X1	4	Washer M12-34-3 Z	Rondelle	Scheibe	Arandela	
42	3009505X1	4	Hex. Bolt, M12 X 25 - Coarse	Boulon	Bolzen M12 X 25	Perno	

C-40003-02.1-B

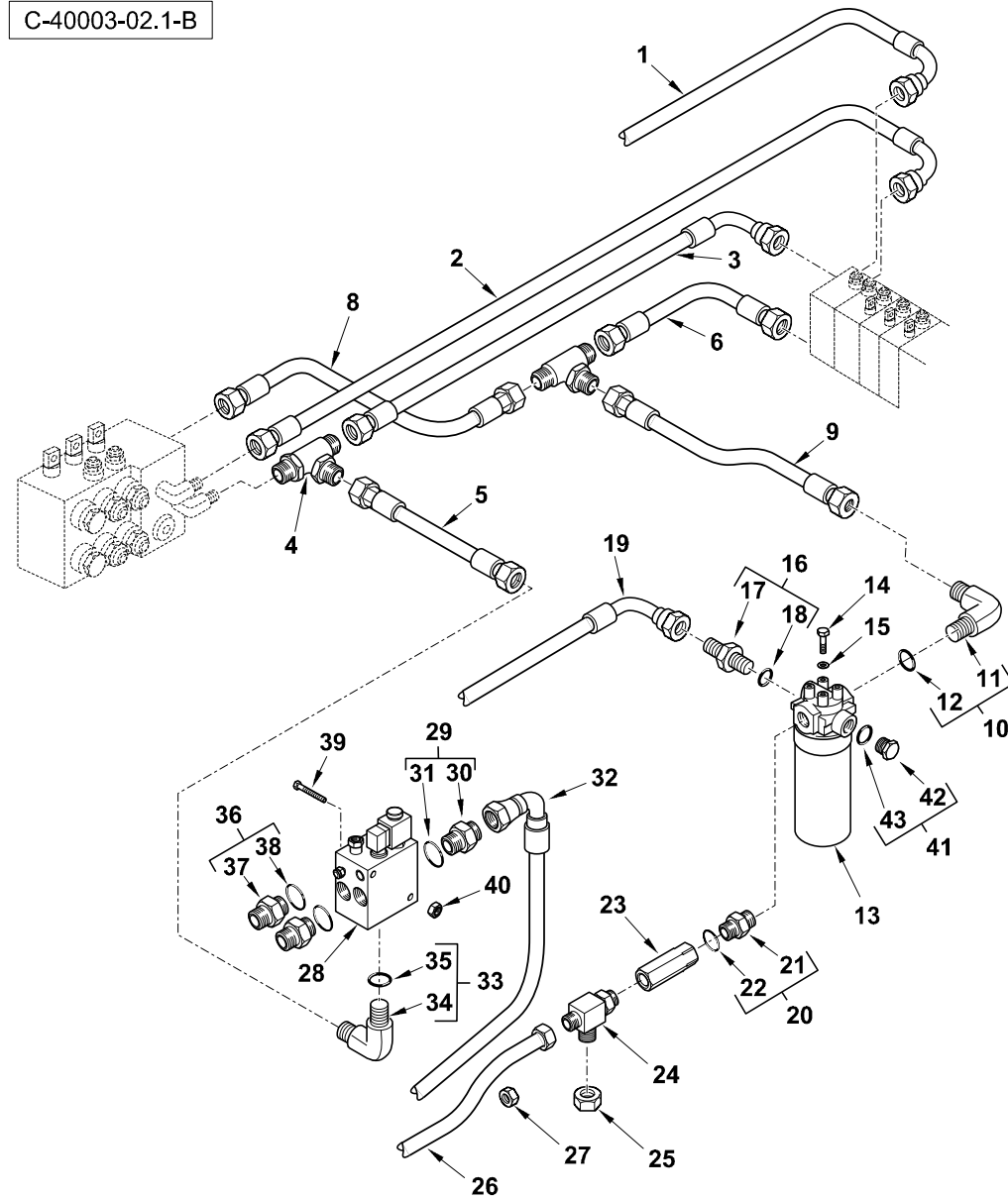




Item	Part No.	Qty.	English	French	German	Spanish	Remarks
1	6109395M91	1	Hose Assy - Valve To Tank	Flexible Ass.	Schlauch Kplt	Flexible, Conj.	
2	6109448M91	1	Hose-L.Sense-L.Valve/D.Valve	Flexible Ass.	Schlauch Kplt	Flexible, Conj.	
3	6109447M91	1	Hose Assy - Pressure L/Valve To D/Valve	Flexible Ass.	Schlauch Kplt	Flexible, Conj.	
4	371360X1	1	Union	Te	T-Stück	Te	
5	6108189M91	1	Hose-Main Hyd	Flexible Ass.	Schlauch Kpl	Flexible, Conj.	
6	6109859M91	1	Tube Assy	Tuyauterie	Rohrleitung Kplt	Conjunto De Tubería	
7	356564X1	1	Tee	Te	T-Stück	Te	
8	6109728M91	1	Hose Assy - Return To Filter	Flexible Ass.	Schlauch Kplt	Flexible, Conj.	
9	6109728M91	1	Hose Assy - Return To Filter	Flexible Ass.	Schlauch Kplt	Flexible, Conj.	
10	358766X91	1	Elbow 90deg	Coude	Kniestück, 90	Codo, 90°	
11	#ELBOW	1	Elbow	Elbow	Elbow	Elbow	Ref. 10
12	835026M1	1	O-Ring	Joint Torique	O-Ring	Junta De Tipo O	
13	T102791	1	Filter Assy	Filtre	Filter Kpl.	Filtro	
14	3009491X1	2	Bolt M10 X 20	Boulon	Maschschraube M10	Tornillo	
15	385362X1	2	Washer, Hardened - M10	Rondelle - M10	Unterlegscheibe M10	Arandela	
16	835013M91	1	Connector 7/8 Jic	Raccord	Schraubanschluss	Conexión, Conj.	
17	#UNION	1	Union	Union	Union	Union	Ref. 16
18	835024M1	1	Ring O - Boa	Joint Torique	O Ring	Junta De Tipo O	
19	6109056M91	1	Hose Assy - Filter To Cooler	Flexible Hyd.	Hydraulschlauch	Flexible, Conj.	
20	6109845M91	1	Connector	Borne	Doppelnippel	Conexión, Conj.	
21	#UNION	1	Union	Union	Union	Union	Ref. 20
22	#O-RING	1	O-Ring	Joint Torique	O-Ring	Junta Tórica	Ref. 20
23	T103247	1	Check Valve - Sleeve	Manchon	Hulse	Mancha	
24	358748X91	1	Tee	Te	T-Stück	Te	
25	356582X1	1	Cap - 37 Deg. Flare	Chapeau	Kappe	Sombbrero	
26	6109073M91	1	Tube Assy - Filter To Tank	Tuyauterie	Rohrleitung Kplt	Conjunto De Tubería	
27	356577X1	1	Cap Blanking 7/16 Jic	Chapeau	Kappe	Sombbrero	
28	6110446M91	1	Unloader Steer Valve	Distributeur	Steuerventil	Distribuidor	40003c04.1 1
29	835013M91	1	Connector 7/8 Jic	Raccord	Schraubanschluss	Conexión, Conj.	
30	#UNION	1	Union	Union	Union	Union	Ref. 29

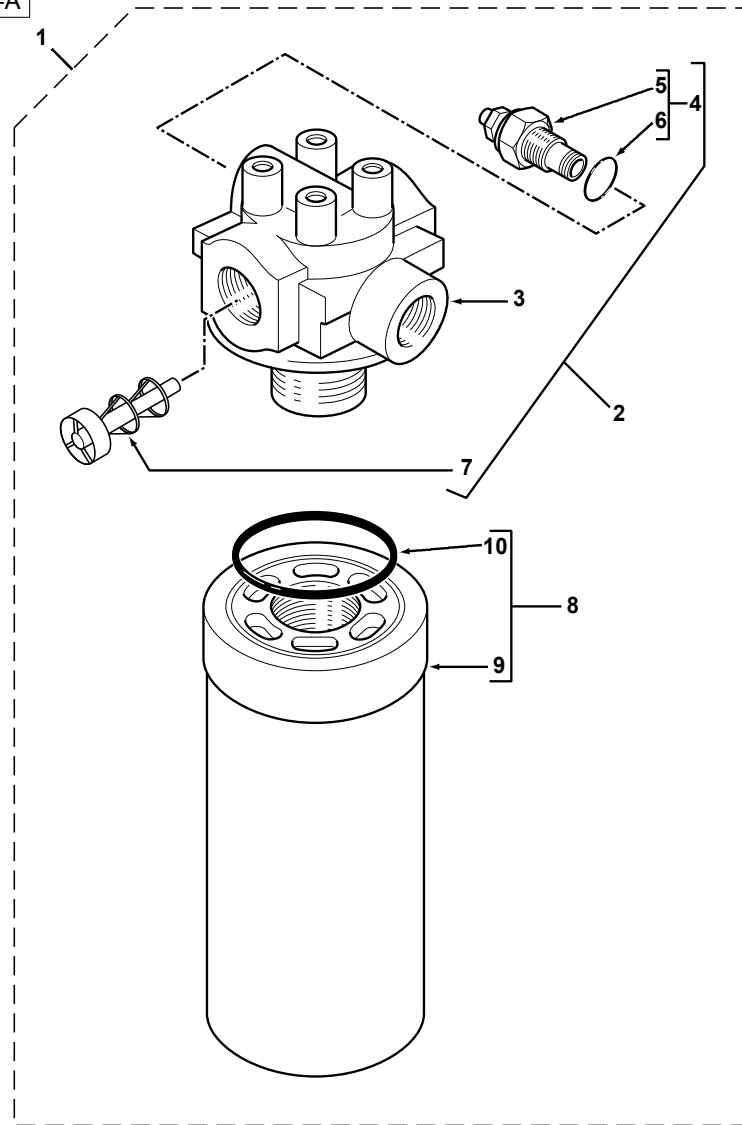


C-40003-02.1-B



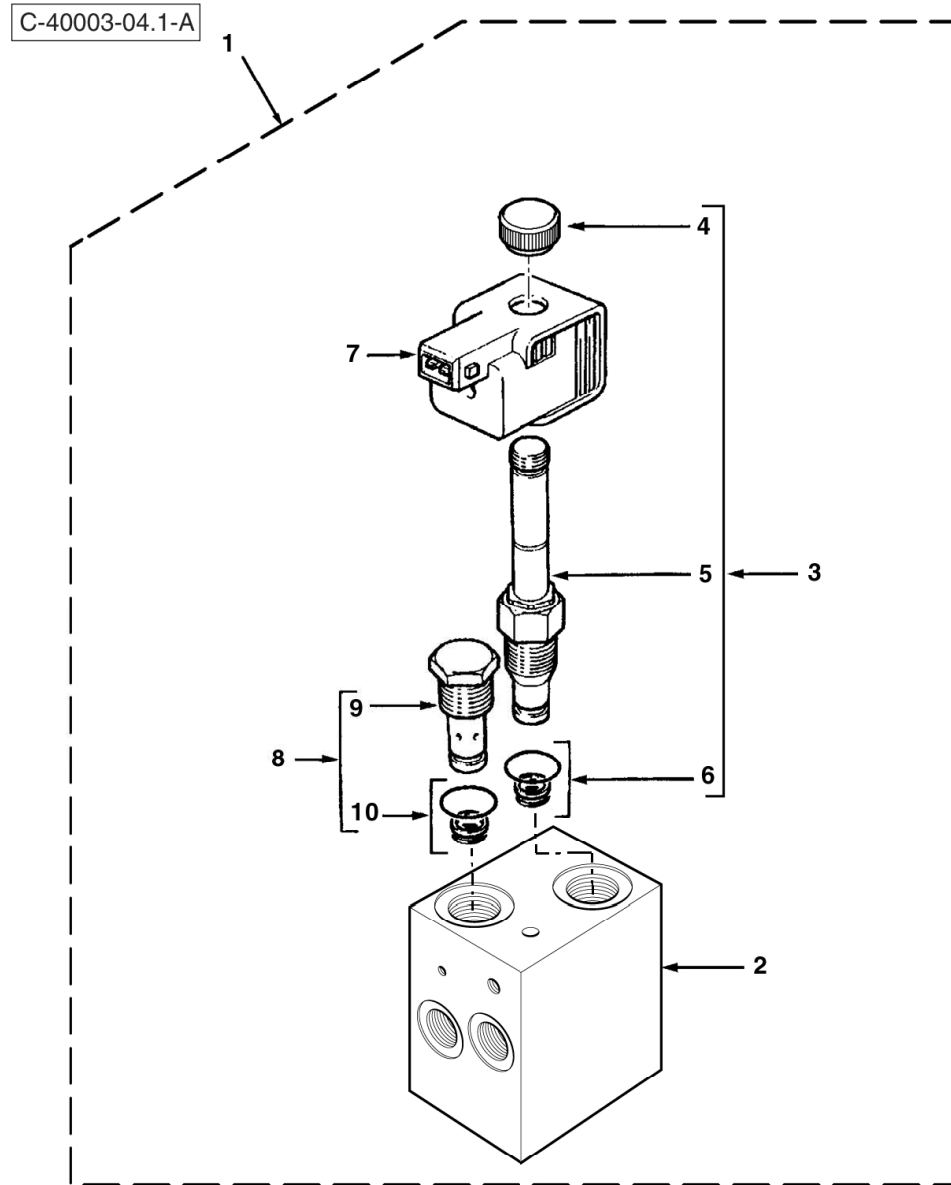
Item	Part No.	Qty.	English	French	German	Spanish	Remarks
31	835024M1	1	Ring O - Boa	Joint Torique	O Ring	Junta De Tipo O	
32	6109619M91	1	Hose Assy - Unloader To Tank	Flexible Ass.	Schlauch Kplt	Flexible, Conj.	
33	358764X91	1	Elbow 90 Deg	Coude 90°	Kniestück, 90°	Codo, 90°	
34	#ELBOW	1	Elbow	Elbow	Elbow	Elbow	Ref. 33
35	835025M1	1	Ring O	Joint Torique	O Ring	Junta De Tipo O	
36	3517847M91	2	Connector	Borne	Doppelnippel	Unión	
37	#UNION	1	Union	Union	Union	Union	Ref. 36
38	835024M1	1	Ring O - Boa	Joint Torique	O Ring	Junta De Tipo O	
39	339084X1	2	Bolt M8-100 Z5s	Goupille	Bolzen	Perno	
40	394367X1	2	Nut, Hex. - Nyloc, M8	Ecrou Blocage M8	Flachmutter - M8	Tuerca De Retención	
41	835087M91	1	Plug 9/16"	Bouchon	Stopfen	Tapón, Conj.	
42	#PLUG	1	Plug	Plug	Plug	Plug	Ref. 41
43	831452M1	1	O Ring (Pack Of 10)	Joint Torique	O Ring	Junta De Tipo O	

C-40003-03.1-A



Item	Part No.	Qty.	English	French	German	Spanish	Remarks
1	T102791	1	Filter Assy	Filtre	Filter Kpl.	Filtro	
2	T102792	1	Filter Head	Tete De Filtre	Filterkopf	Cabeza De Filtro	
3	#HEAD, FILTER	1	Head, Filter	Head, Filter	Head, Filter	Head, Filter	Ref.2
4	6193234M91	1	Connection Electric	Pressostat	Druckschalter	Presostato	
5	#SWITCH, PRESSURE	1	Switch, Pressure	Switch, Pressure	Switch, Pressure	Switch, Pressure	Ref.4
6	3523725M1	1	O-Ring	Joint Torique	O-Ring	Junta De Tipo O	
7	#VALVE, CHECK	1	Valve, Check	Valve, Check	Valve, Check	Valve, Check	Ref.2
8	6100361M91	1	Filter Element - Hydraulic Oil	Element Hydraul.	Ol•lter	Elemento Filtrante	
9	#ELEMENT, FILTER	1	Element, Filter	Element, Filter	Element, Filter	Element, Filter	Ref.8
10	#O-RING	1	O-Ring	Joint Torique	O-Ring	Junta Tórica	Ref.8

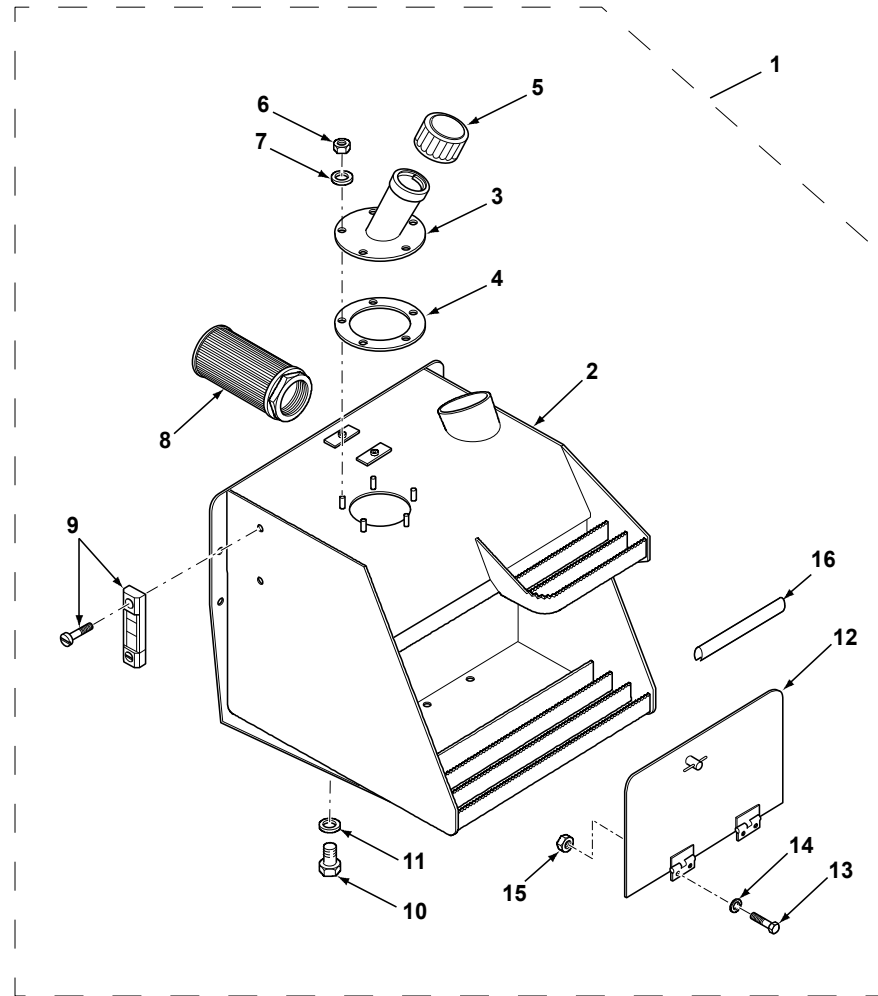




Item	Part No.	Qty.	English	French	German	Spanish	Remarks
1	6110446M91	1	Unloader Steer Valve	Distributeur	Steuerventil	Distribuidor	40003c02.1 28
2	#BODY	1	Body	Body	Body	Body	Ref.1
3	6193714M1	1	Solenoid Cartridge	Ensemble De Solénoïde	Magnetspule Kpl.	Solenoide, Conj.	
4	#NUT	1	Nut	Ecrou	Mutter	Tuerca	Ref.3
5	#SPOOL	1	Spool	Spool	Spool	Spool	Ref.3
6	6193715M91	1	Seal Kit For Solenoid Cartridge	Jeu Étanchéité	Dichtringsatz	Juego De Juntas	
7	6193716M1	1	Coil-Steer Valve	Bobine	Wicklung	Bobina	
8	6193712M1	1	Relief Valve Cartridge	Soupape, Décharge	Sicherheitsventil	Válvula, Descarga	
9	#VALVE	1	Valve	Soupape	Ventil	Válvula	Ref.8
10	6193713M91	1	Seal Kit For Relief Valve Cartridge	Jeu Étanchéité	Dichtringsatz	Juego De Juntas	



C-40003-05.1-B

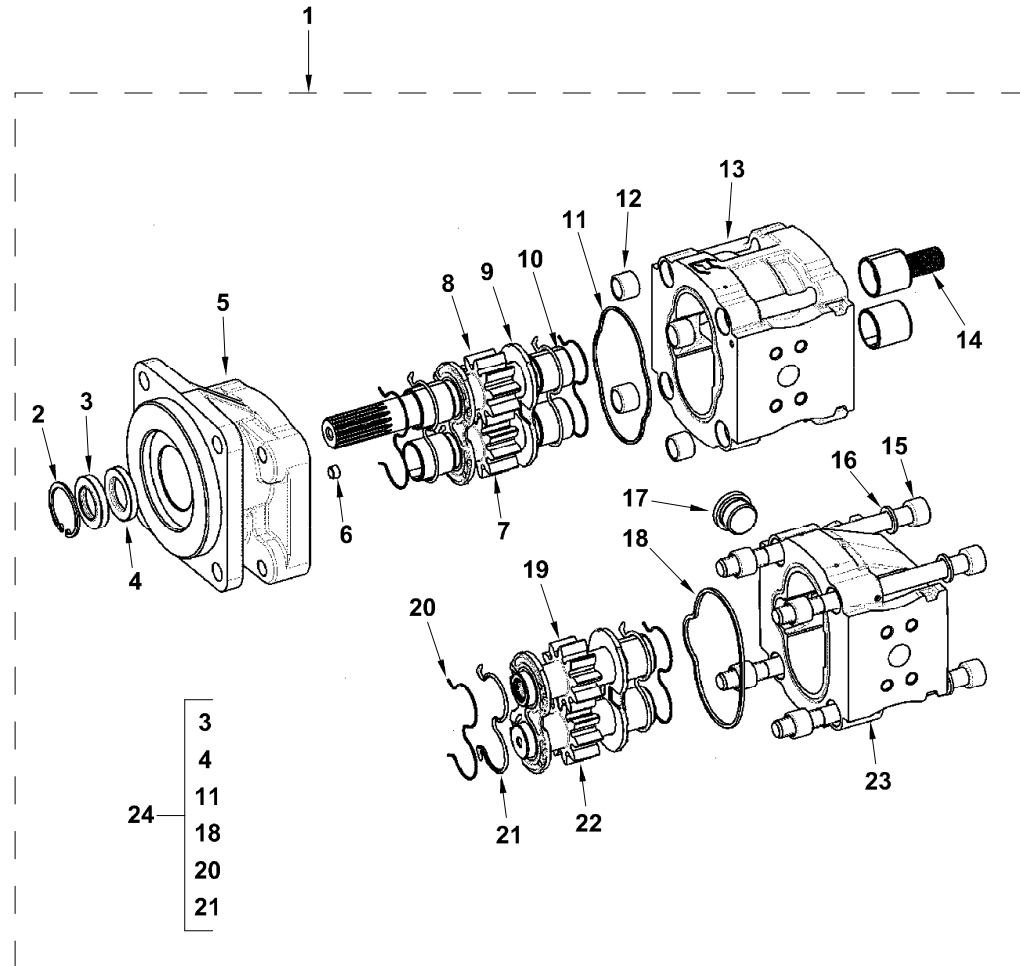




Item	Part No.	Qty.	English	French	German	Spanish	Remarks
1	6112229M91	1	Hyd Tank/Battery Box Assy Hla	Ensemble De Réservoir	Behälter Kpl.	Deposito Hidrau.	40003c01.1 31
2	#RESERVOIR	1	Reservoir	Reservoir	Reservoir	Reservoir	Ref.1
3	6109321M93	1	Tube-Filler-W/Assy	Remplisseur	Einfüllstutzen	Rellenador	
4	6110441M1	1	Gasket	Joint	Dichtring	Empaquetadura	
5	6109794M1	1	Filler/Breather Cap	Event/Bouchon	Verschlussstopfen	Ventilador Del Cáter	
6	339169X1	5	Nut, Hex. - M8, Coarse	Ecrou Métrique	Mutter Metrisch	Tuerca	
7	339374X1	5	Washer M8 -21-2 Z	Rondelle Frein - M8	Federring - M8	Arandela De Freno	
8	3515254M1	1	Element-Suction	Crépine Ass.	Siebelement Kplt	Filtro De Aceite	
9	6110796M91	1	Indicator- Oil Level	Indicateur De Niveau	Schauglas	Indicador De Nivel	
10	376501X1	1	Plug Sealing 3/4	Bouchon De Vidange	Ablassschraube	Tapón De Drenaje	
11	1476281X1	1	Washer, Sealing	Rondelle Joint	Stopfring	Arandela Junta	
12	6109796M91	1	Cover W/Assy	Ensemble De Couvercl	Abdeckung Kplt	Tapa, Conj.	
13	339560X1	4	Bolt - M6 X 16mm (Hex.)	Boulon M6 X 16	Maschschraube - M6	Tornillo	
14	390971X1	4	Washer M6-12-1 Zwl	Rondelle - M6	Scheibe - M6	Arandela	
15	1441500X1	4	Nut M6 Z5 Nyloc	Ecrou	Flachmutter M6	Tuerca De Retención	
16	6110594M1	2	Trim - Edge (Black Pvc 90mm Long)	Bande	Streifen	Banda	



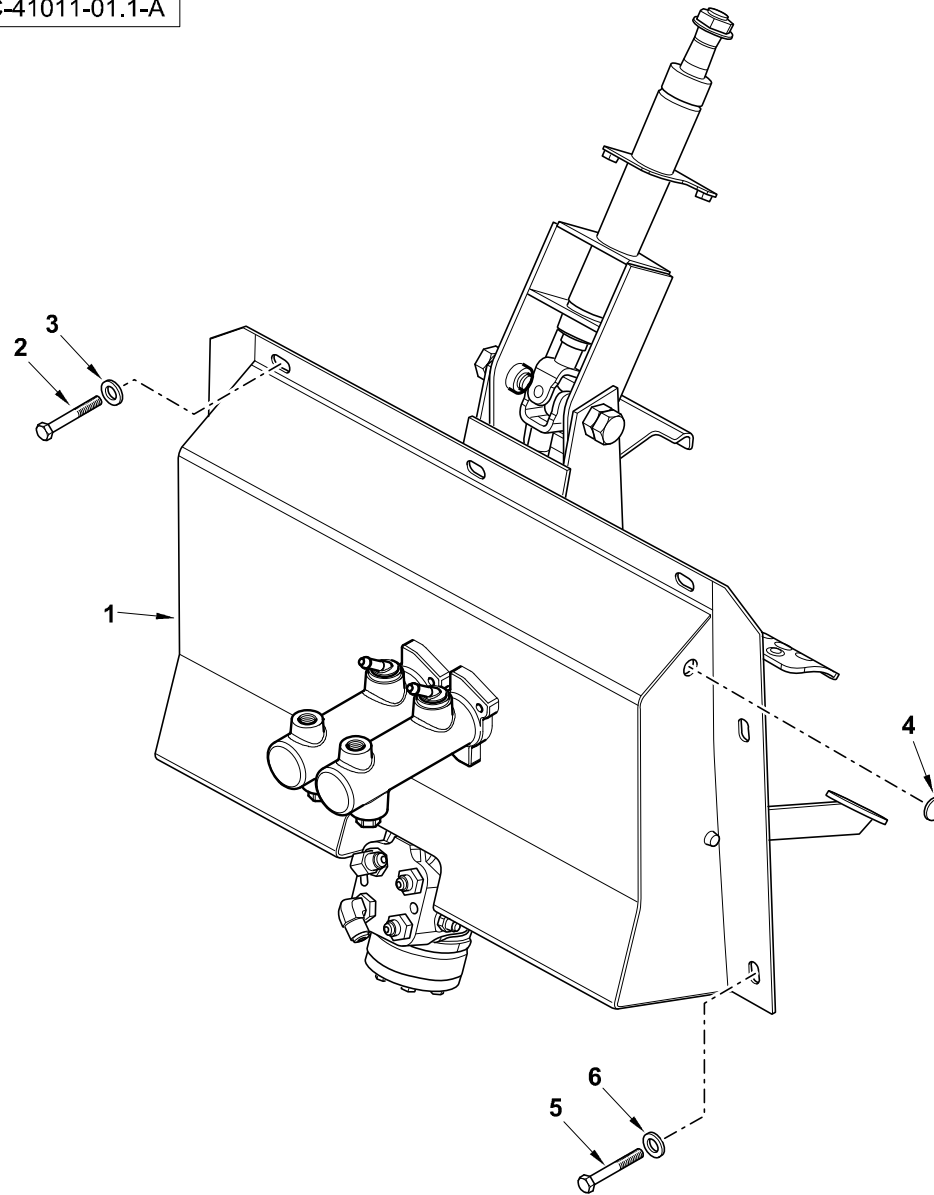
C-40003-06.2-A



Item	Part No.	Qty.	English	French	German	Spanish	Remarks
1	6111153M93	1	Pump - Hydraulic 160 Litres/Min (4 Bolt)	Pompe Hydraulique	Hydropumpe	Bomba Hidraulica	
2	6194750M1	1	Circlip	Segment D Arret	Sicherungsring	Circlip	
3	#SEAL	1	Seal	Joint Étanchéité	Dichtring	Retén	Ref. 1
4	#SEAL	1	Seal	Joint Étanchéité	Dichtring	Retén	Ref. 1
5	#COVER	1	Cover	Cover	Cover	Cover	Ref. 1
6	#SCREW	1	Screw	Vis	Schraube	Tornillo	Ref. 1
7	#GEAR	1	Gear	Gear	Gear	Gear	Ref. 1
8	#SHAFT	1	Shaft	Shaft	Shaft	Shaft	Ref. 1
9	6194933M91	4	Plate - Thrust	Plaque De Butee	Druckplatte	Plate - Thrust	
10	#BEARING	8	Bearing	Bearing	Bearing	Bearing	Ref. 1
11	#SEAL	1	Seal	Joint Étanchéité	Dichtring	Retén	Ref. 1
12	6194751M1	8	Bush - Steel	Douille	Buchse	Bush - Steel	
13	#BODY	1	Body	Body	Body	Body	Ref. 1
14	#HUB	1	Hub	Hub	Hub	Hub	Ref. 1
15	6194748M1	4	Bolt	Boulon	Maschschraube	Bolt	
16	6194749M1	4	Washer	Rondelle	Unterlegscheibe	Washer	
17	#PLUG	1	Plug	Plug	Plug	Plug	Ref. 1
18	#SEAL	1	Seal	Joint Étanchéité	Dichtring	Retén	Ref. 1
19	#SHAFT	1	Shaft	Shaft	Shaft	Shaft	Ref. 1
20	#RING	4	Ring	Anneau	Ring	Aro	Ref. 1
21	#SEAL	4	Seal	Joint Étanchéité	Dichtring	Retén	Ref. 1
22	#GEAR	1	Gear	Gear	Gear	Gear	Ref. 1
23	#BODY	1	Body	Body	Body	Body	Ref. 1
24	6194752M91	1	Seal Kit	Jeu Etancheite	Dichtringsatz	Seal Kit	



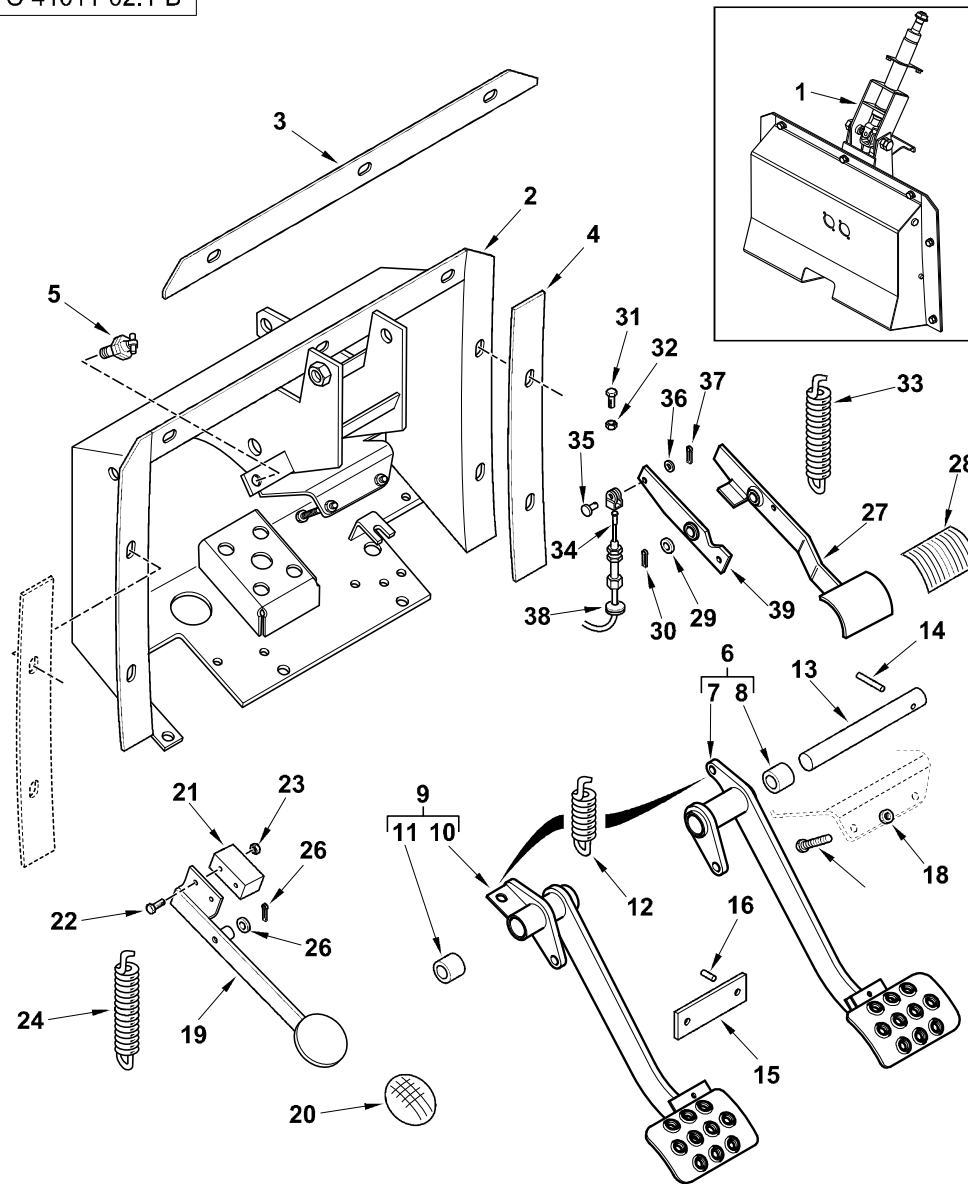
C-41011-01.1-A



Item	Part No.	Qty.	English	French	German	Spanish	Remarks
1	6111310M92	1	Control Box	Ensemble Boîte Comm.	Steuergehäuse Kpl.	Caja De Mando, Conj.	
2	339123X1	3	Bolt M8-20 Z5f	Boulon M8 X 20	Maschschraube M8	Perno	
3	385361X1	3	Washer M8 Hardened	Rondelle M8	Scheibe M8	Arandela	
4	1473135M1	2	Plug Blanking	Obturateur	Verschlussstopfen	Tapón	
5	339011X1	4	Bolt M8-45 Z5s	Boulon	Schraube	Perno	
6	385361X1	4	Washer M8 Hardened	Rondelle M8	Scheibe M8	Arandela	



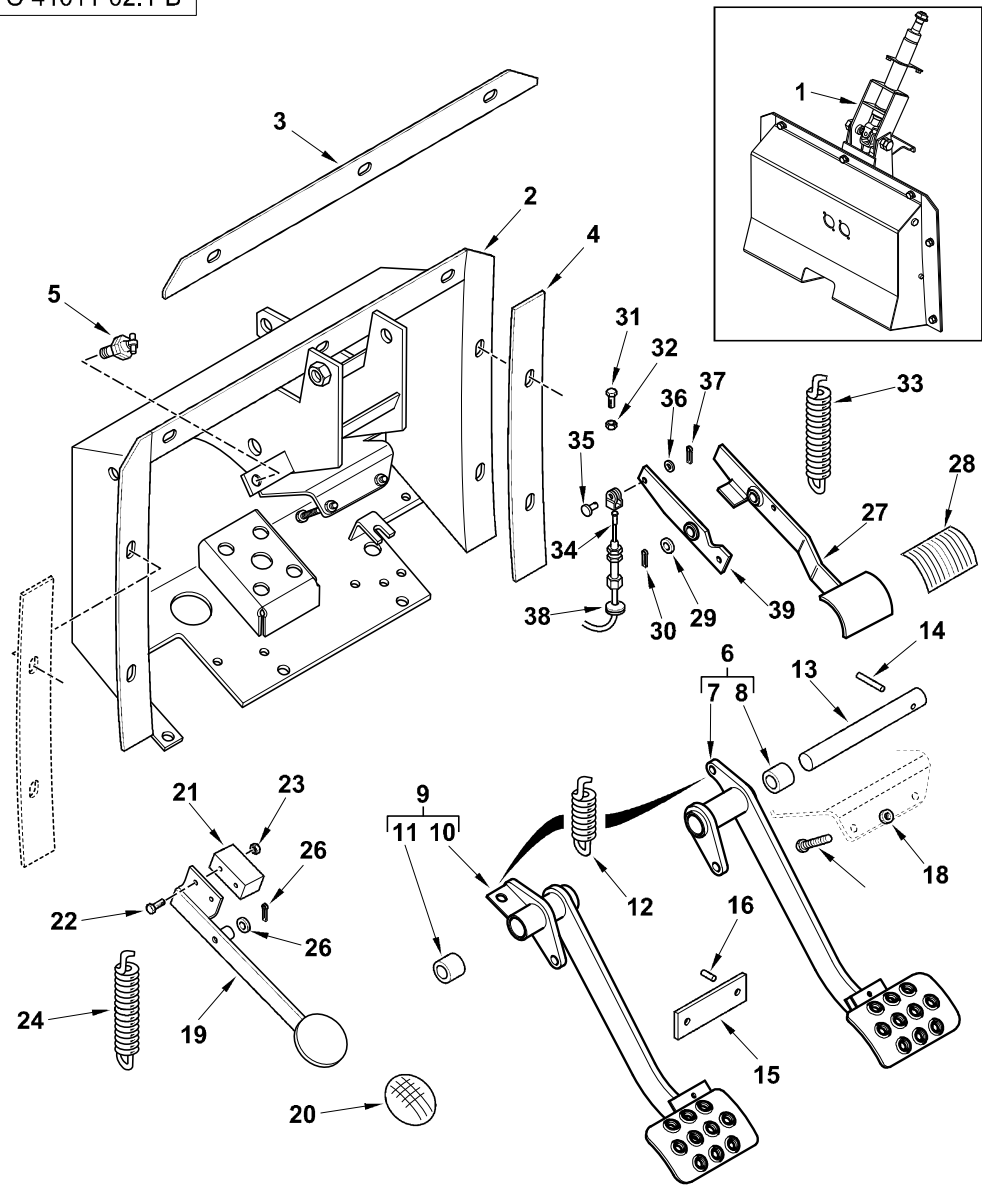
C-41011-02.1-B



Item	Part No.	Qty.	English	French	German	Spanish	Remarks
1	6111310M92	1	Control Box	Ensemble Boîte Comm.	Steuergehäuse Kpl.	Caja De Mando, Conj.	Continued
2	6110093M91	1	Control Box W/Assy	Boîte De Commande	Steuergehäuse	Caja De Mando	
3	6100819M1	1	Gasket-Control-Box	Joint	Dichtring	Junta	
4	6100820M1	2	Gasket-Control-Box	Joint	Dichtring	Junta	
5	6107867M91	1	Switch, Brake Lights - Hand And Foot	Interrupteur	Schalter	Conmutador, Conj.	
6	6110083M91	1	Pedal RH W/Assy	Ensemble De Pédale	Pedal Kpl.	Pedal, Conj.	
7	#PEDAL ASSY	1	Pedal Assy	Pedal Assy	Pedal Assy	Pedal Assy	Ref. 6
8	1469497M1	2	Bush	Douille	Büchse	Anillo	
9	6110084M92	1	Brake Peddle - LH W/A	Ensemble De Pédale	Pedal Kpl.	Pedal, Conj.	
10	#PEDAL ASSY	1	Pedal Assy	Pedal Assy	Pedal Assy	Pedal Assy	Ref. 9
11	1469497M1	2	Bush	Douille	Büchse	Anillo	
12	1680157M2	2	Spring	Siege De Ressort	Federsitz	Muelle	
13	6106570M2	1	Pin - Pivot (Control Box)	Arbre	Bolzen	Árbol	
14	339135X1	1	Pin-Spring-6 X 36	Goupille Elastique	Spannstift	Pasador	
15	6108795M1	1	Plate-Latch Brake Pedal	Verrou	Riegel	Picaporte	
16	357609X1	2	Pin Groove 5-19	Axe	Bolzen	Pasador	
17	390992X1	2	Screw - Hex Head M8 X 50 Gr 8.8 Zn	Vis	Schraube	Perno	
18	339169X1	2	Nut, Hex. - M8, Coarse	Ecrou Métrique	Mutter Metrisch	Tuerca	
19	6109888M91	1	Diff Lock Pedal W/Assy	Ensemble De Pédale	Pedal Kpl.	Pedal, Conj.	
20	6100584M1	1	Pad Anti Slip Pedal	Plaque, Anti-Dérapant	Anti-Rutschbelag	Cinta Antideslizante	
21	3518656M91	1	Microswitch (Terex Vectra)	Commutateur Ass.	Schalter Kplt	Contactar	
22	3522433M2	2	Bolt M3-35 Hex	Boulon M3 X 35	Maschschraube M3	Tornillo	
23	391216X1	2	Nut Nyloc M3	Ecrou Blocage M3	Flachmutter M3	Tuerca	
24	1470592M1	1	Spring	Siège De Ressort	Federsitz	Muelle	
25	390735X1	1	Washer M12-24-2 Z	Rondelle	Scheibe - M12	Arandela	
26	1442965X1	1	Split Pin 4 X 25	Goupille Fendue	Spaltbolzen	Pasador	
27	6111952M91	1	Pedal Throttle	Pedale	Pedal	Pedal	
28	6100585M1	1	Pad Anti Slip Pedal	Plaque, Anti-Dérapant	Anti-Rutschbelag	Cinta Antideslizante	
29	390735X1	1	Washer M12-24-2 Z	Rondelle	Scheibe - M12	Arandela	
30	1442965X1	1	Split Pin 4 X 25	Goupille Fendue	Spaltbolzen	Pasador	



C-41011-02.1-B

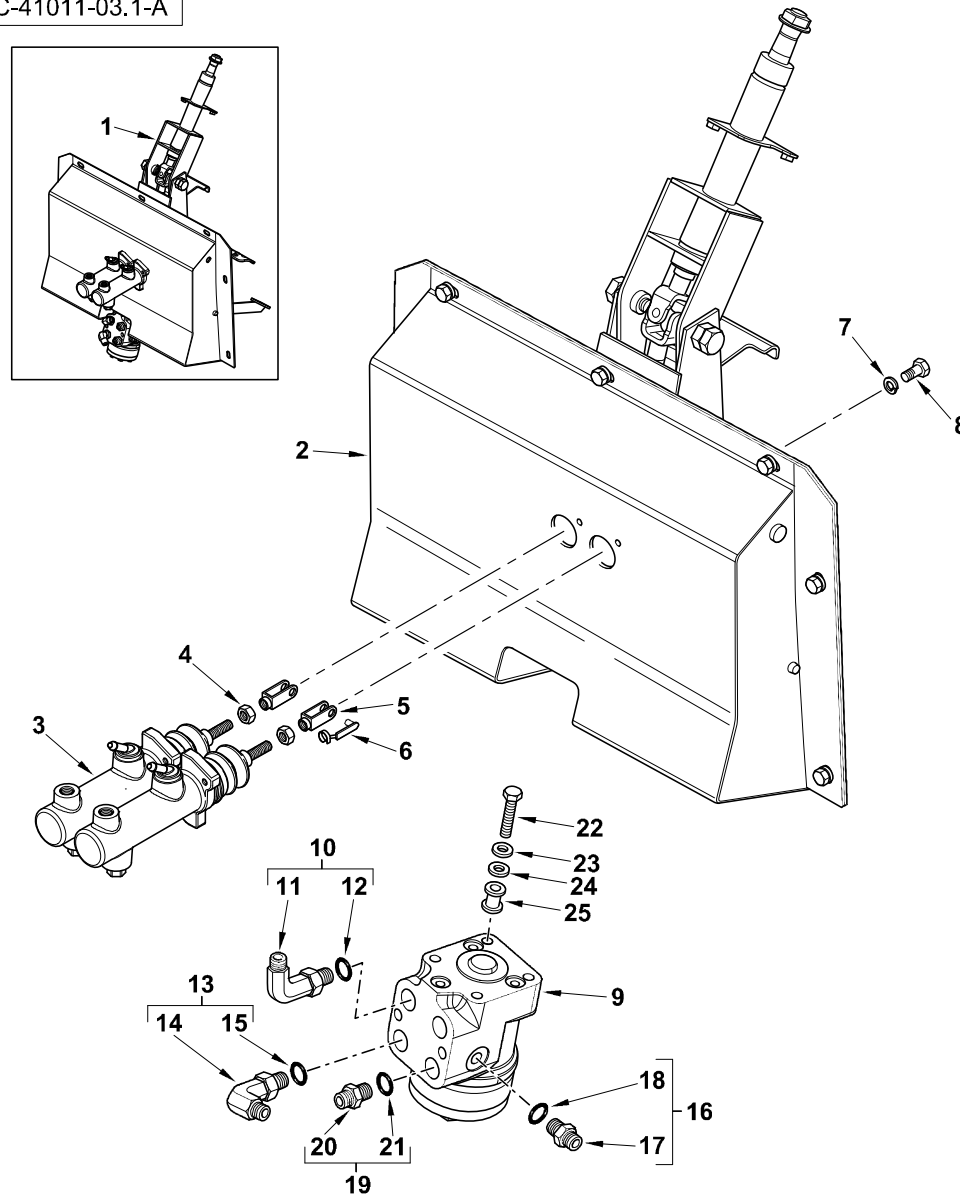




Item	Part No.	Qty.	English	French	German	Spanish	Remarks
31	339337X1	2	Bolt M8-30 Z5f	Goupille	Bolzen - M8 X 30	Perno	
32	392309X1	2	Nut M8 Thin	Ecrou	Mutter	Tuerca	
33	1470592M1	1	Spring	Siège De Ressort	Federsitz	Muelle	
34	6110669M93	1	Cable Assembly - Foot Throttle	Cable Accelerat	Drosselkabel	Cable, Conj.	
35	195446M1	1	Pin Clevis 5-21	Axe De Chape	Gabelstift	Pasador	
36	353753X1	1	Washer 10-.50 -.05 Zsp	Rondelle	Scheibe	Arandela	
37	354039X1	1	Pin Cotter 1.6-13	Goupille Fendue	Splint	Pasador	
38	6102367M1	1	Grommet-Split	Passe-Fil	Tülle	Pasa Cable	
39	6111955M91	1	Lever Throttle	Levier	Hebel	Palanca	



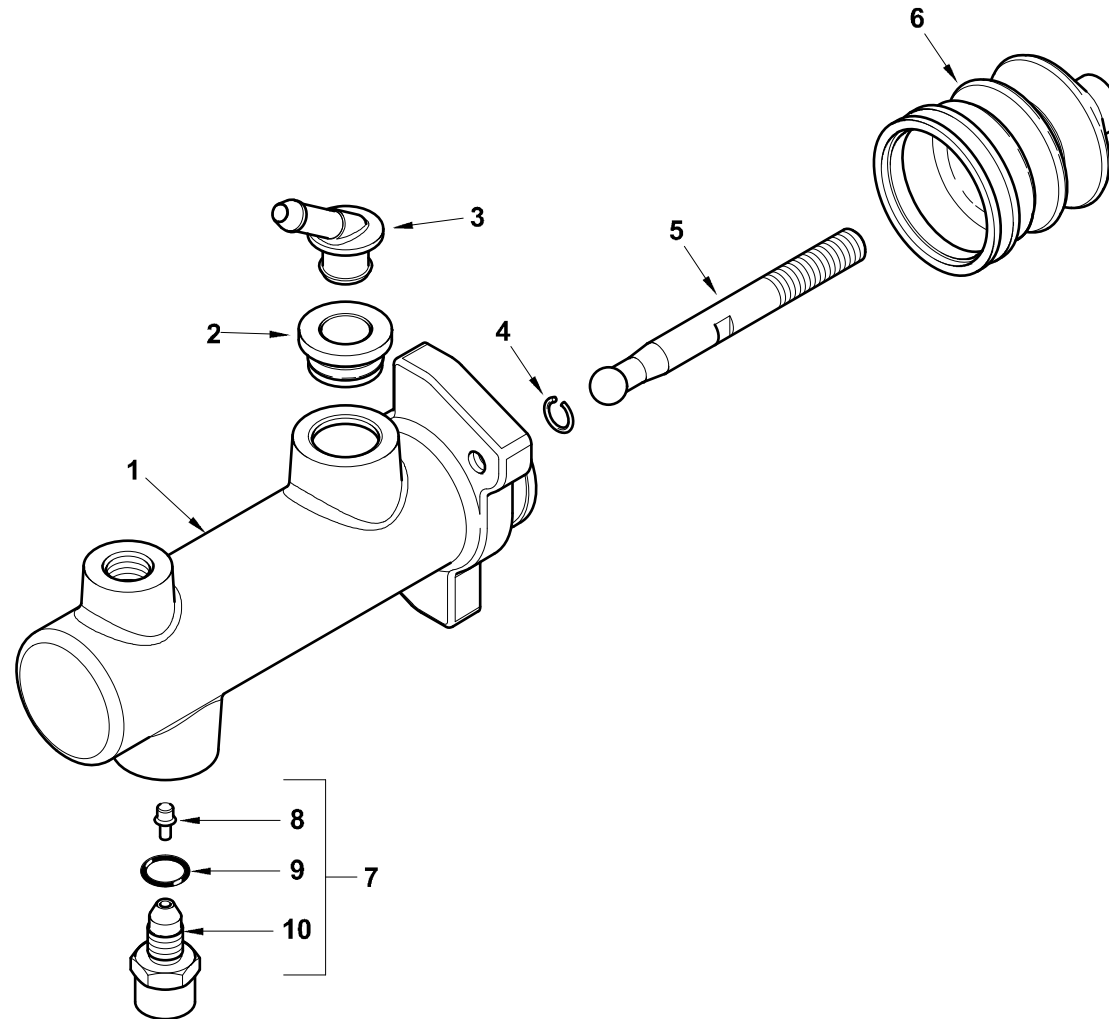
C-41011-03.1-A



Item	Part No.	Qty.	English	French	German	Spanish	Remarks
1	6111310M92	1	Control Box	Ensemble Boîte Comm.	Steuergehäuse Kpl.	Caja De Mando, Conj.	Continued
2	#CONTROL BOX	1	Control Box	Control Box	Control Box	Control Box	Ref. 1
3	6111136M92	2	Master Cylinder Assembly	Cylindre Frein	Bremszylinder	Cilindro Principal	Service Brakes 41011c04.1 1
4	3009694X1	2	Nut M10 Z1 Thin	Ecrou	Mutter M10	Tuerca De Retención	
5	3521833M1	2	Clevis	Chape	Gabelverbindung	Brida	
6	3521834M1	2	Pin Clevis	Axe De Chape	Gabelstift	Eje De Brida	
7	339 374X1	4	Washer, Lock	Rondelle De Blocage	Sicherungsscheibe	Arandela De Freno	
8	339 124X1	4	Bolt	Boulon	Maschinenschraube	Perno	
9	6109844M91	1	Orbitrol Assy (Rexroth)	Pompe, Direction	Lenkorbit	Bomba, Dirección	Steering System
10	364415X91	1	Elbow	Equerre	Winkelstück	Codo	
11	#ELBOW	1	Elbow	Elbow	Elbow	Elbow	Ref. 10
12	#O-RING	1	O-Ring	Joint Torique	O-Ring	Junta Tórica	Ref. 10
13	358762X91	1	Elbow, 90 Degree - Hydraulic	Coude	Winkelstück	Codo	
14	#ELBOW	1	Elbow	Elbow	Elbow	Elbow	Ref. 13
15	831497M1	1	O-Ring	Joint Torique	O-Ring	Junta De Tipo O	
16	358741X91	1	Union, Hydr.	Raccord	Verschraubung	Racor	
17	#UNION	1	Union	Union	Union	Union	Ref. 16
18	831495M1	1	O-Ring	Joint Torique	O-Ring	Junta De Tipo O	
19	360202X91	1	Connector 9/16 X 3/4	Adaptateur	Reduzienippel	Unión	
20	#UNION	1	Union	Union	Union	Union	Ref. 19
21	1852568M1	1	O-Ring	Joint Torique	O-Ring	Junta De Tipo O	
22	3009494X1	4	Bolt Hex - M10 X 35, Coarse	Boulon - M10 X 35	Maschschraube M10	Tornillo	
23	339376X1	4	Washer M10-18-2 Zsp	Rondelle Frein	Federring	Arandela De Freno	
24	390597X1	4	Washer, Large - M10	Rondelle	Scheible	Arandela	
25	3507736M1	4	Mount Centre Bond	Montant	Pfosten	Montante	



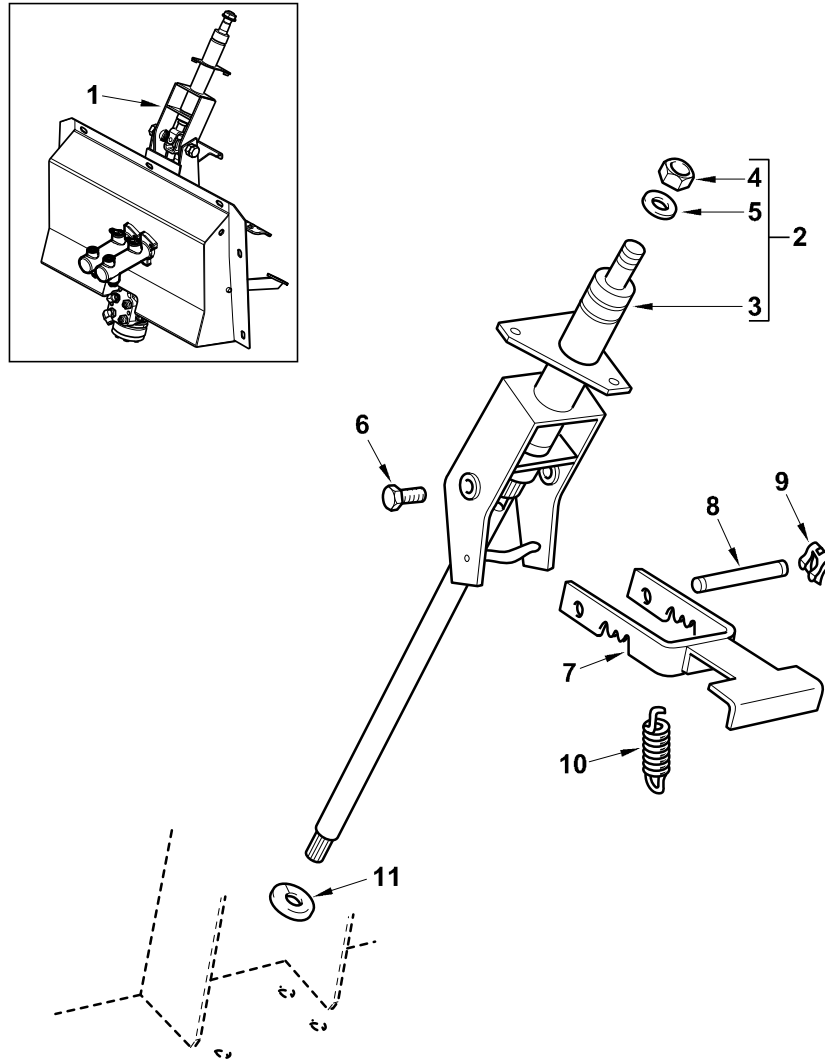
C-41011-04.1-C



Item	Part No.	Qty.	English	French	German	Spanish	Remarks
1	6111136M92	1	Master Cylinder Assembly	Cylindre Frein	Bremszylinder	Cilindro Principal	41011c03.1 3
2	6194501M1	1	Grommet	Passe Fil	Gummituelle	Pasa Cable	
3	6194502M1	1	Adaptor	Adaptateur	Reduziernippel	Adaptador	
4	6194505M1	1	Split Ring	Anneau Fendu	Spaltring	Anillo Partido	
5	6194504M1	1	Rod	Tringle	Stange	Vástago	
6	6194503M1	1	Gaitor	Manchette	Manschette	Funda	
7	6194723M91	1	Repair Kit	Jeu Reparation	Reparatursatz	Kit De Válvula De Alivio	
8	#NEEDLE	1	Needle	Needle	Needle	Needle	Ref. 7
9	#O-RING	1	O-Ring	Joint Torique	O-Ring	Junta Tórica	Ref. 7
10	#VALVE BODY	1	Valve Body	Corps De Valve	Ventilkörper	Cuerpo De Válvula	Ref. 7

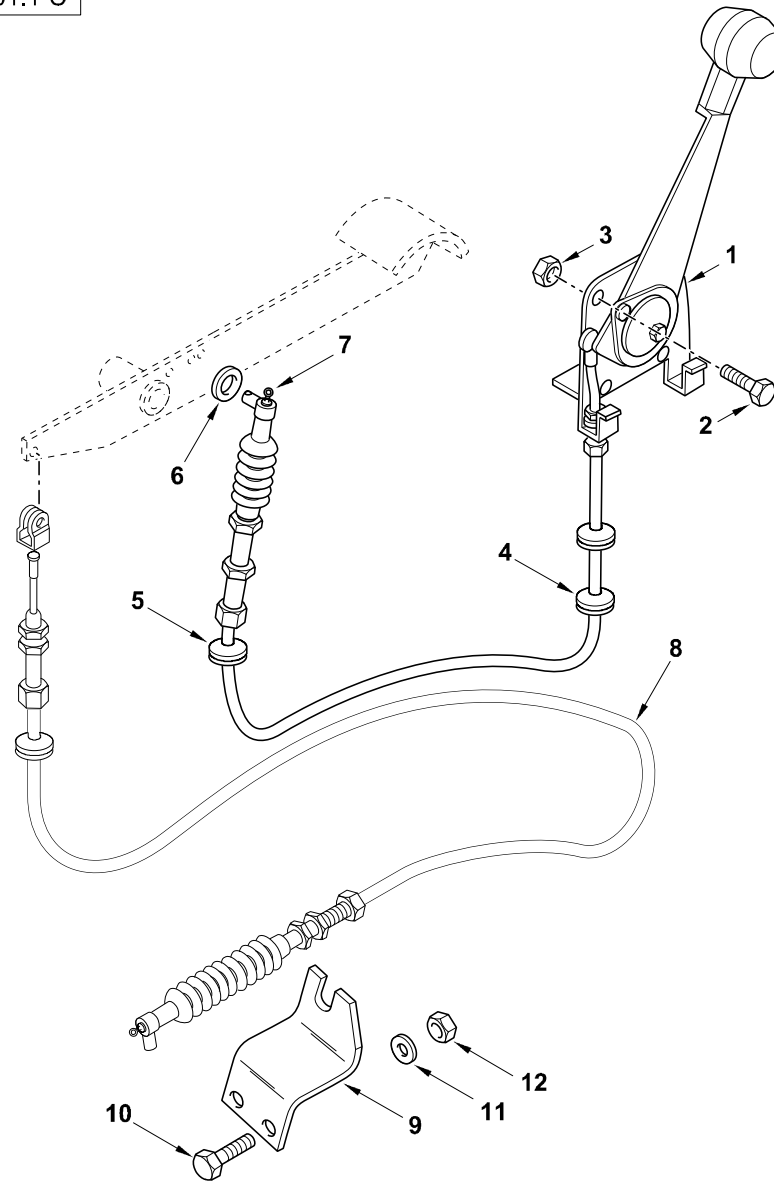


C-41011-05.1-A



Item	Part No.	Qty.	English	French	German	Spanish	Remarks
1	6111310M92	1	Control Box	Ensemble Boîte Comm.	Steuergehäuse Kpl.	Caja De Mando, Conj.	Continued
2	6109254M91	1	Steering Column W/Assy	Colonne De Direction	Lenksäule	Columna, Dirección	
3	#SHAFT	1	Shaft	Shaft	Shaft	Shaft	Ref. 2
4	392913X1	1	Washer	Rondelle	Scheibe	Arandela	
5	1441246X1	1	Nut M20 Z2 Thin	Ecrou	Mutter	Tuerca	
6	1611049M1	2	Pin Hex HD Special	Axe	Bolzen	Tornillo	
7	6101155M93	1	Bracket-Steering Lock -W/Assy	Patte De Fixation	Halter	Pata De Fijación	
8	3521918M2	1	Steering Shaft	Arbre De Direction	Lenkradwelle	Pasador	
9	3521461M1	2	Fastener Safety M10	Circlip Ressort	Klemmfeder	Clip	
10	3522399M1	1	Spring Extension	Siege De Ressort	Federsitz	Muelle	
11	6110526M1	1	Seal - Control Box	Joint	Dichtung	Junta	

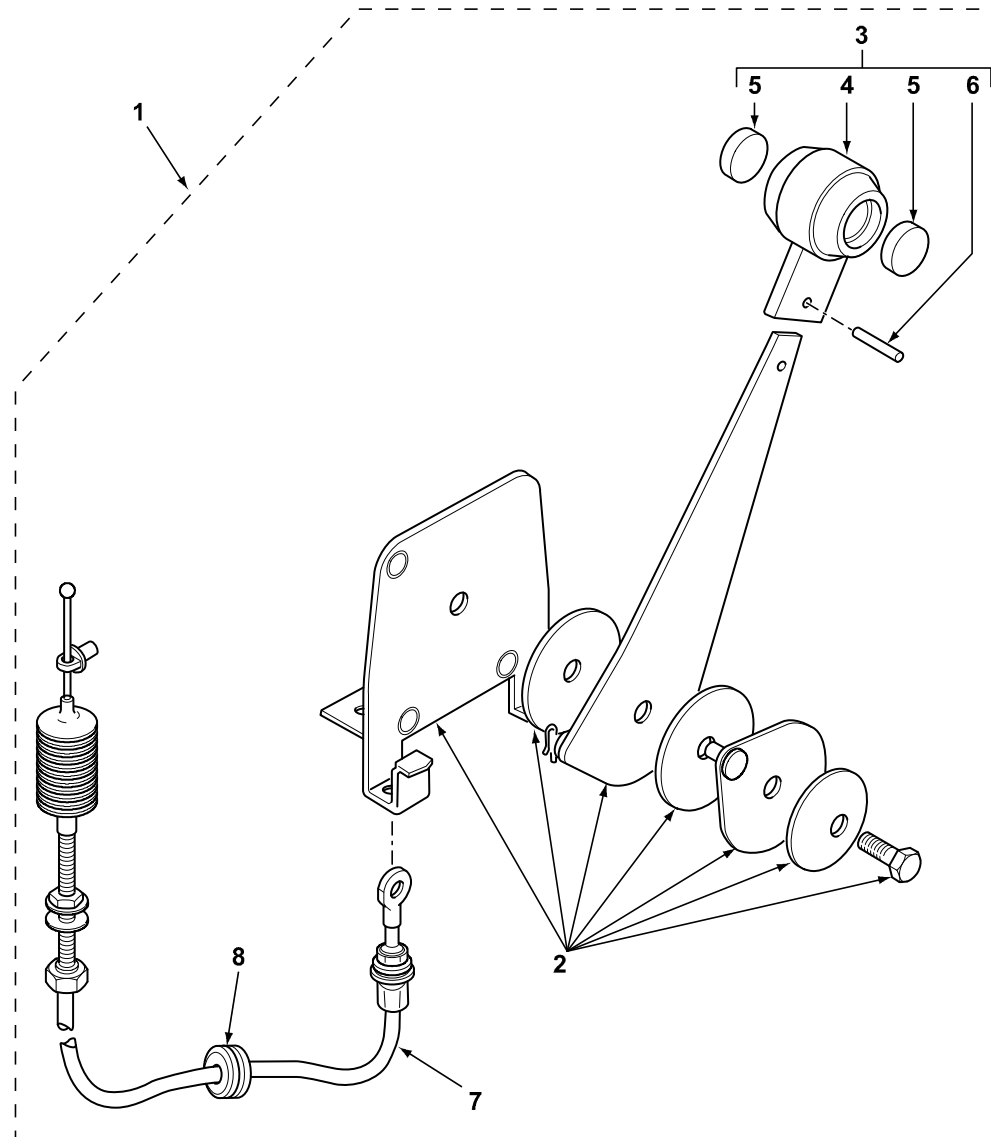
C-42003-01.1-C





Item	Part No.	Qty.	English	French	German	Spanish	Remarks
1	6100620M91	1	Hand Throttle Assy	Ensemble Commande	Steuerung Kpl.	Mando, Conj.	42003c02.1 1
2	3009667X1	4	Screw M5x25lg Csk	Vis	Schraube	Tornillo	
3	390995X1	4	Nut M5 Z5 Norm	Ecrou	Mutter	Tuerca	
4	6101552M1	1	Grommet-Split	Passe-Fil	Tülle	Pasa Cable	
5	6102367M1	1	Grommet-Split	Passe-Fil	Tülle	Pasa Cable	
6	390971X1	1	Washer M6-12-1 Zwl	Rondelle - M6	Scheibe - M6	Arandela	
7	3517074M1	2	Pin Hair Internal	Goupille	Sicherungsstift	Pasador	
8	#CABLE	1	Cable	Cable	Cable	Cable	41010c02.1 34
9	6109751M1	1	Bracket - Throttle Cable	Patte Fixation	Halter	Pata De Fijación	
10	339804X1	2	Bolt, Hex, - M6 X 25	Goupille	Maschschrb Metr - M6	Tornillo	
11	390971X1	2	Washer M6-12-1 Zwl	Rondelle - M6	Scheibe - M6	Arandela	
12	1441500X1	2	Nut M6 Z5 Nyloc	Ecrou	Flachmutter M6	Tuerca De Retención	

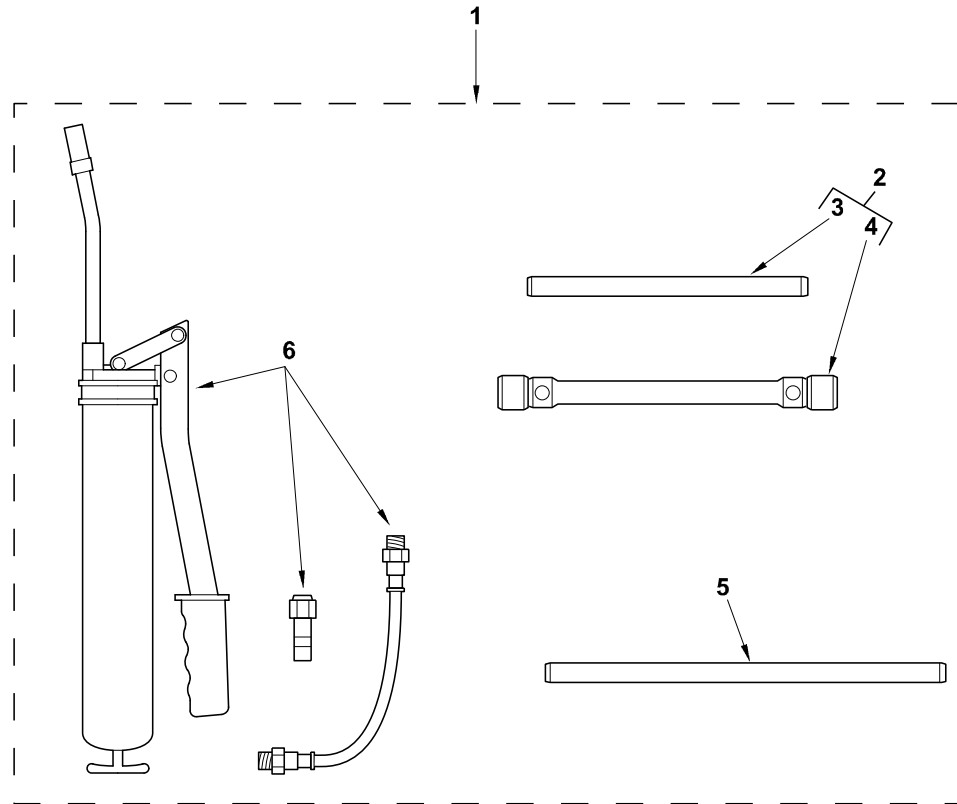
C-42003-02.1-A



Item	Part No.	Qty.	English	French	German	Spanish	Remarks
1	6100620M91	1	Hand Throttle Assy	Ensemble Commande	Steuerung Kpl.	Mando, Conj.	42003c01.1 1
2	6190736M91	1	Lever Control	Levier De Commande	Bedienhebel	Palanca De Mando	
3	6190737M91	1	Package Service	Ensemble De Poignée	Handgriff Kpl.	Empuñadura, Conj.	
4	#HANDLE	1	Handle	Handle	Handle	Handle	Ref. 3
5	#COVER	2	Cover	Cover	Cover	Cover	Ref. 3
6	#PIN	1	Pin	Goupille	Bolzen	Pasador	Ref. 3
7	6190738M91	1	Cable	Câble	Kabel	Cable	
8	3522134M2	1	Grommet	Passe-Fil	Tuelle	Pasa Cable	



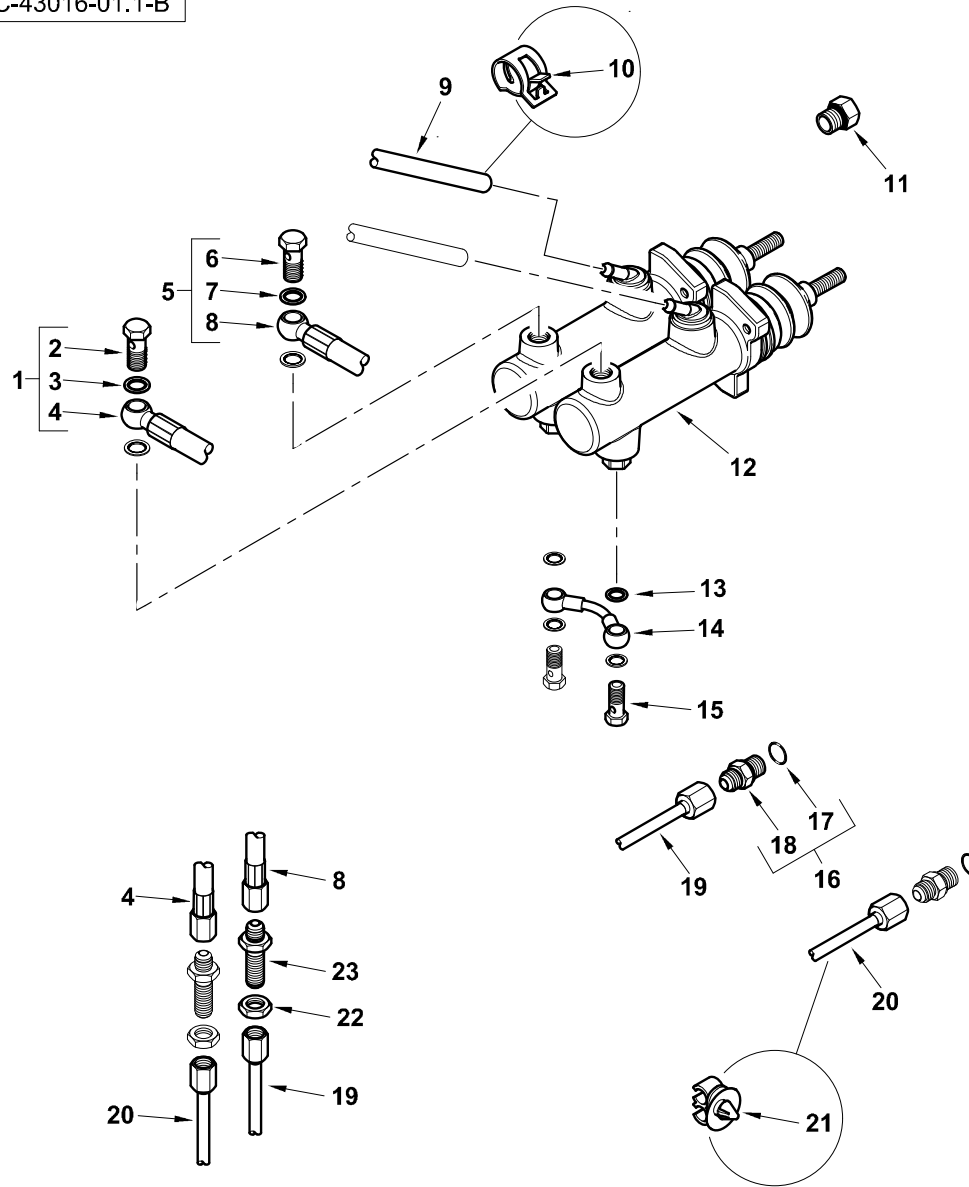
C-89001-01.1-B



Item	Part No.	Qty.	English	French	German	Spanish	Remarks
1	6106273M94	1	Kit - Wheelbrace + Greasegun	Kit D'Outillage	Werkzeugsatz	Herramientas	
2	6106272M92	1	Wheel Nut Spanner & Tommy Bar	Clé	Schrschlüssel	Llave	
3	#BAR	1	Bar	Bar	Bar	Bar	Ref.2
4	#WRENCH	1	Wrench	Wrench	Wrench	Wrench	Ref.2
5	6108796M1	1	Distance Sleeve	Entretoise	Distanzrohr	Distance Sleeve	
6	T102072	1	Grease Gun & Adaptors	Pompe A Graisse	Fettpresse	Bomba De Engrase	



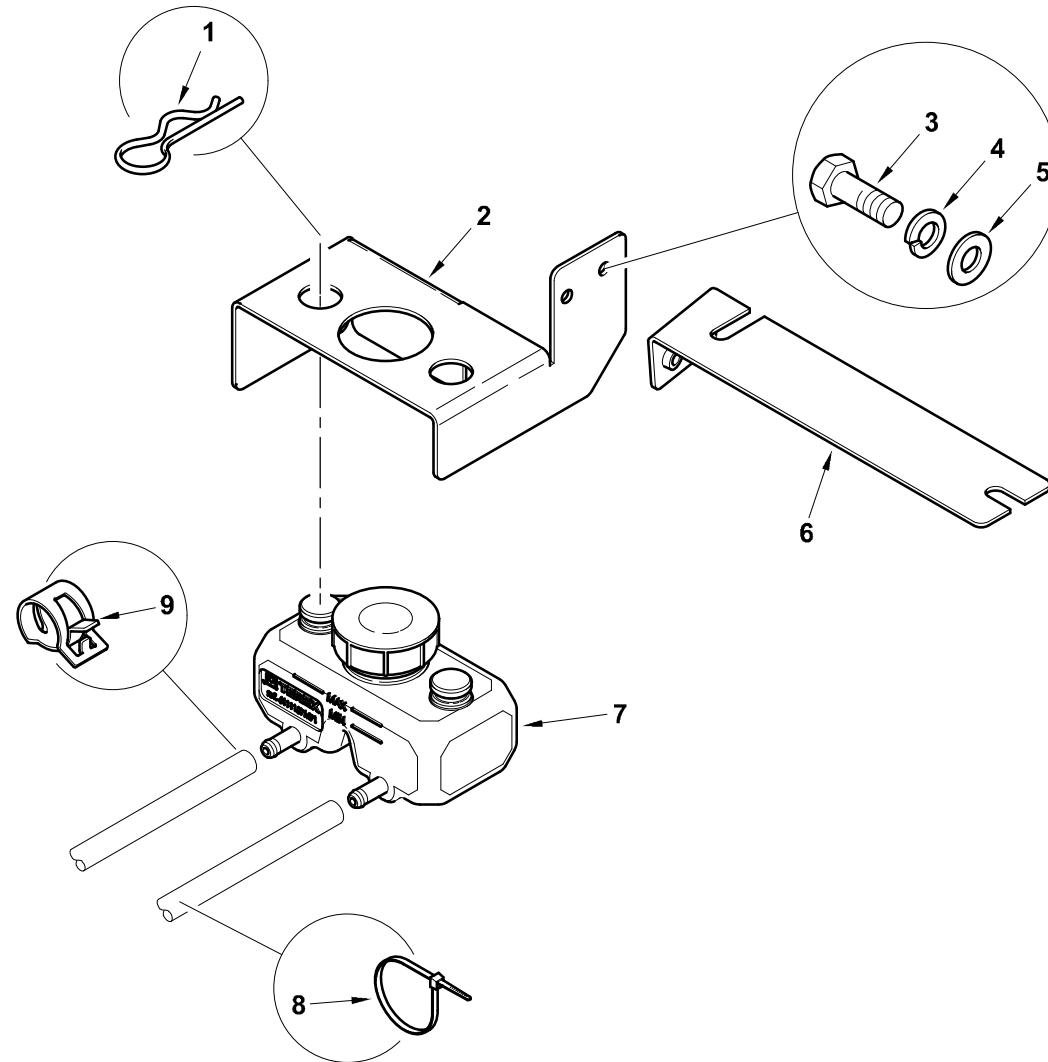
C-43016-01.1-B



Item	Part No.	Qty.	English	French	German	Spanish	Remarks
1	6110857M91	1	Hose Assy Brakes LH	Ensemble Durit	Schlauch Kpl	Flexible, Conj.	
2	#BOLT	1	Bolt	Boulon	Schraubbolzen	Perno	Ref. 1
3	#SEAL	2	Seal	Joint Étanchéité	Dichtring	Retén	Ref. 1
4	#HOSE	1	Hose	Hose	Hose	Hose	Ref. 1
5	6110858M91	1	Hose Assy Brakes RH	Ensemble Durit	Schlauch Kpl	Flexible, Conj.	
6	#BOLT	1	Bolt	Boulon	Schraubbolzen	Perno	Ref. 5
7	#SEAL	2	Seal	Joint Étanchéité	Dichtring	Retén	Ref. 5
8	#HOSE	1	Hose	Hose	Hose	Hose	Ref. 5
9	6111156M1	2	Hose	Durit	Schlauch	Tubo Flexible	
10	6111944M1	2	Clamp - Hose	Collier	Halteschelle	Clip	
11	3019 635X91	1	Bung	Bonde	Spund	Casquillo	
12	6111136M92	2	Master Cylinder Assembly	Cylindre Frein	Bremszylinder	Cilindro Principal	41011c04.1
13	6111149M1	4	Washer M10 Copper	Rondelle	Unterlegscheibe	Arandela, Cobre	
14	6111109M91	1	Pipe Assembly	Tuyo	Leitung Kpl	Tubo, Conj.	
15	6111148M1	2	Bolt - Banjo M10 X1 (20lg)	Vis Banjo	Hohlschraube	Perno De Banjo	
16	6106477M91	2	Connector-Straight	Connexion Ass.	Doppelnippel	Conexión, Conj.	
17	#O-RING	1	O-Ring	Joint Torique	O-Ring	Junta Tórica	Ref. 16
18	#CONNECTOR	1	Connector	Connector	Connector	Connector	Ref. 16
19	6109488M91	1	Tube Assy - 4ws RH	Tuyauterie	Rohrleitung Kplt	Conjunto De Tubería	
20	6109486M91	1	Tube Assy - 4ws LH	Tuyauterie	Rohrleitung Kplt	Conjunto De Tubería	
21	6106274M1	2	Pipe Clip	Collier Pour Tuyaux	Rohrschelle	Clip	
22	356613X1	2	Nut- 1/2-20 Unf Bulkhead	Ecrou Unf	Mutter Unf	Tuerca	
23	356265X1	2	Union-Bulkhead Tube	Connecteur	Doppelnippel	Conector	



C-43016-02.1-B

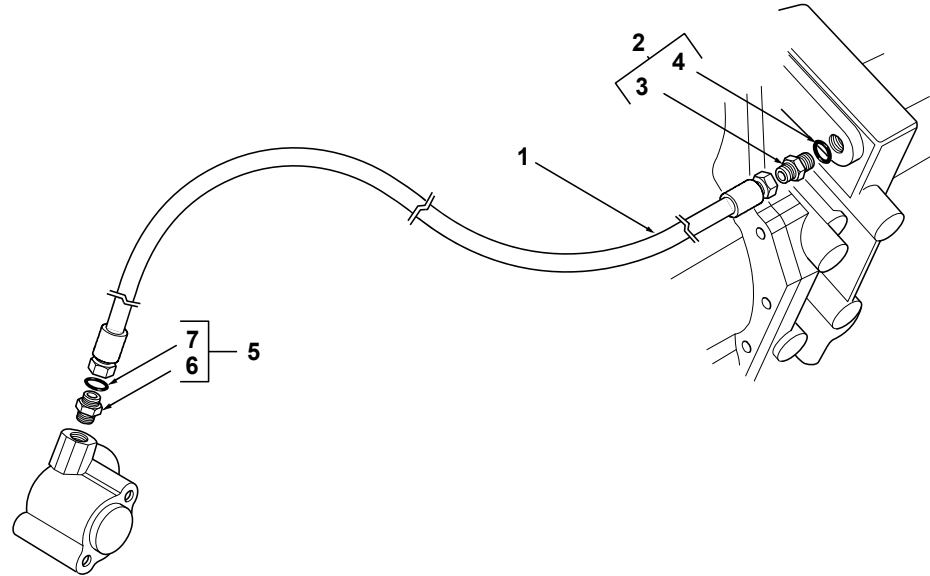




Item	Part No.	Qty.	English	French	German	Spanish	Remarks
1	6111176M1	2	Clip - Reservoir	Circlip	Schelle	Clip	
2	6111132M1	1	Bracket - Reservoir	Support Fixation	Haltearm	Pata De Fijación	
3	339560X1	2	Bolt - M6 X 16mm (Hex.)	Boulon M6 X 16	Maschschraube - M6	Tornillo	
4	339375X1	2	Washer M6 Lock Z	Rondelle De Blocage	Sicherungsscheibe	Arandela De Freno	
5	390 971X1	2	Washer	Rondelle	Scheibe	Arandela	
6	6111133M91	1	Bracket Assembly	Ensemble Support	Halter Kpl	Cuchara, Conj.	
7	6111157M91	1	Reservoir	Recipient	Speicher	Depósito	
8	6111176M1	2	Clip - Reservoir	Circlip	Schelle	Clip	
9	6111944M1	2	Clamp - Hose	Collier	Halteschelle	Clip	

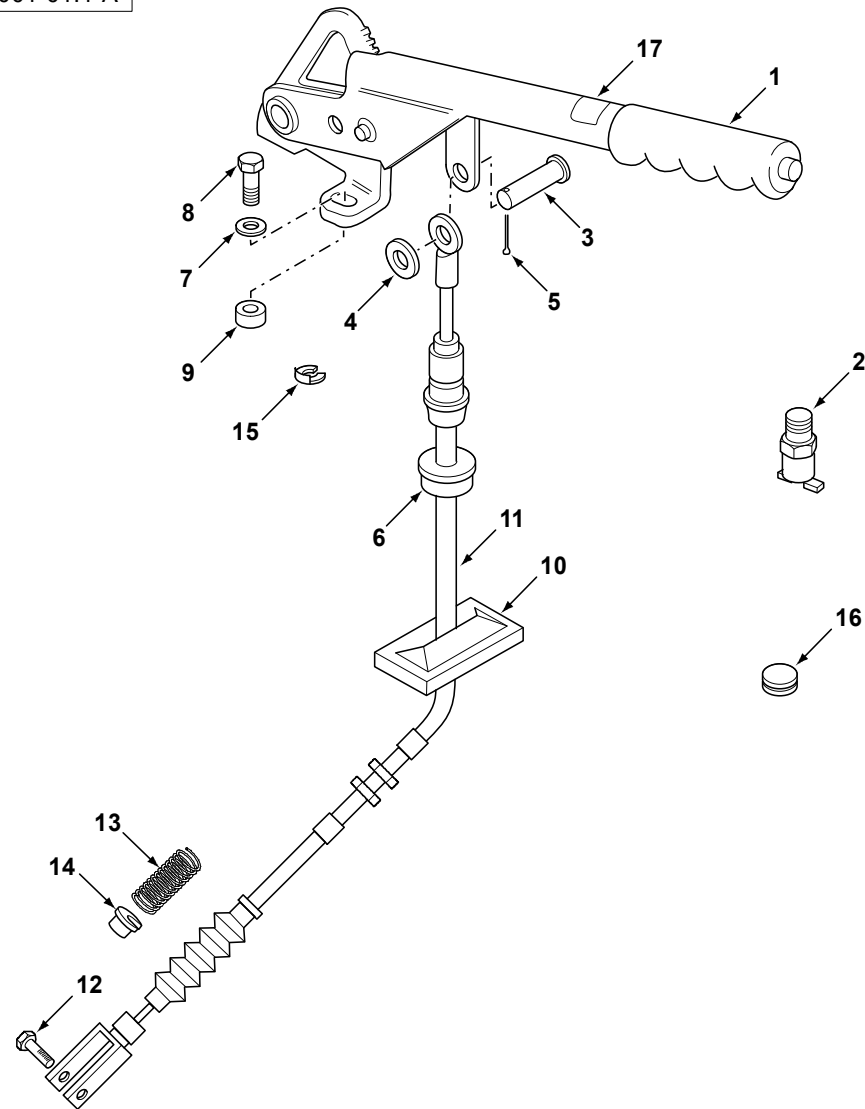


C-44002-01.1-A



Item	Part No.	Qty.	English	French	German	Spanish	Remarks
1	6109473M91	1	Hose Assy - Diff Lock Powershift	Flexible Ass.	Schlauch Kplt	Flexible, Conj.	
2	835091M91	1	Connector 9/16 Unf	Borne	Doppelnippel	Unión	
3	#UNION	1	Union	Union	Union	Union	Ref. 2
4	831452M1	1	O Ring (Pack Of 10)	Joint Torique	O Ring	Junta De Tipo O	
5	835091M91	1	Connector 9/16 Unf	Borne	Doppelnippel	Unión	
6	#UNION	1	Union	Union	Union	Union	Ref. 5
7	831452M1	1	O Ring (Pack Of 10)	Joint Torique	O Ring	Junta De Tipo O	

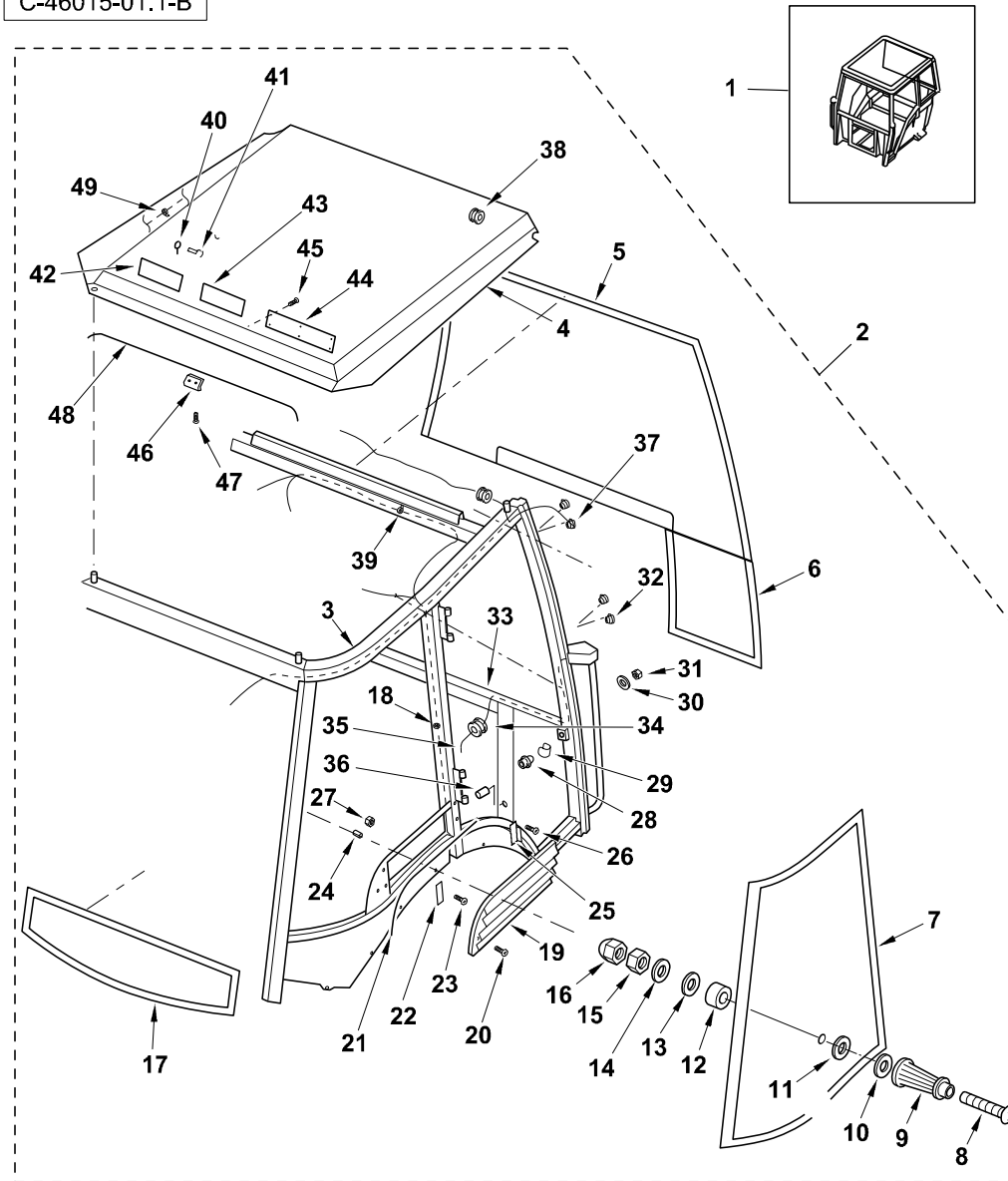
C-45001-01.1-A



Item	Part No.	Qty.	English	French	German	Spanish	Remarks
1	3519890M91	1	H/Brake 4ws 343 Long	Frein À Main	Handbremse	Palanca De Freno	
2	6107867M91	1	Switch, Brake Lights - Hand And Foot	Interrupteur	Schalter	Conmutador, Conj.	
3	376401X1	1	Pin Clevis 3/8x1	Axe De Chape	Gabelstift	Pasador	
4	353756X1	1	Washer 3/8-.81-.06zsp	Rondelle	Scheibe	Arandela	
5	1442992X1	1	Pin Cotter 3-16	Goupille Fendue	Spaltbolzen	Pasador	
6	6102367M1	1	Grommet-Split	Passe-Fil	Tülle	Pasa Cable	
7	390734X1	2	Washer M10-21-2 Z	Rondelle - M10	Unterlegscheibe	Arandela	
8	3009492X1	2	Bolt - Hex. M10 X 25	Boulon M10 X 25	Schraube M10 X 25	Tornillo	
9	3516293M1	2	Spacer H/Brake Lever	Entretoise	Distanzstück	Traviesa	
10	6006361M2	1	Grommet	Passe-Fil	Tülle	Pasa Cable	
11	6107032M91	1	Cable Assy Handbrake	Câble Fr.À Main	Handbremsekabel	Cable, Conj.	
12	6107031M1	1	Pin-Spring	Axe	Bolzen	Pasador	
13	3518052M2	1	Spring	Siège De Ressort	Federsitz	Muelle	
14	3518051M1	1	Retainer-Spring	Arrêteoir	Befestigungsteil	Retén	
15	1696650M1	1	Clip Retaining	Clip	Klips	Anillo De Resorte	
16	3516323M1	2	Grommet Blind	Passe-Fil	Tülle	Pasa Cable	
17	3516652M1	1	Decal Handbrake	Adhésif	Aufkleber	Adhesivo	



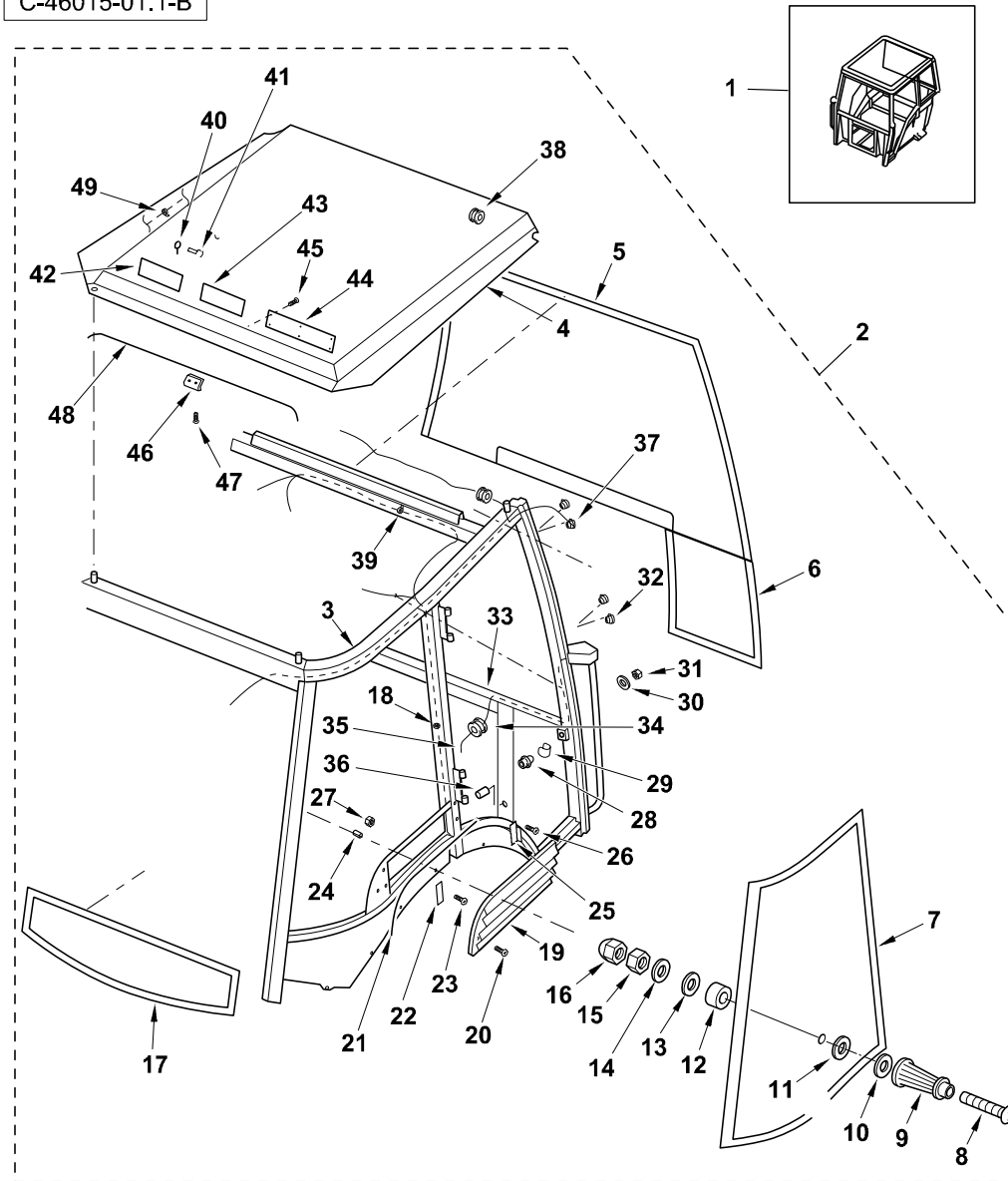
C-46015-01.1-B



Item	Part No.	Qty.	English	French	German	Spanish	Remarks
1	6099759M93GY02	1	Installation Cab Terex - (Benford Grey)	Ensemble De Cabine	Kabine Kpl.	Cabina, Conj.	
2	6099760M93	1	Cab-Black Frame Laminated	Ensemble De Bâti	Rahmen Kpl.	Bastidor, Conj.	
3	#FRAME	1	Frame	Frame	Frame	Frame	Ref. 2
4	#ROOF	1	Roof	Roof	Roof	Roof	Ref. 2
5	6099916M1	1	Windscreen - Laminated Glass	Pare Brise	Windschutzscheib	Parabrisas	
6	6099902M1	1	Plough Window LH	Vitre	Glasscheibe	Cristal	
6	6099903M1	1	Plough Window RH	Vitre	Glasscheibe	Cristal	
7	6099910M1	1	Window-Corner Rear LH	Vitre	Glasscheibe	Cristal	
7	6099911M1	1	Window-Corner Rear RH	Vitre	Glasscheibe	Cristal	
8	6099920M1	1	Door Holder	Reteneur	Halterung	Retén	
9	6099459M1	2	Screw-M6x50 (Din 912)	Vis	Schraube	Tornillo	
10	3512435M1	2	Washer M6	Rondelle	Scheibe	Arandela	
11	6099245M1	2	Washer Rubber	Rondelle Elastique	Gummischeibe	Arandela Elástica	
12	6099406M1	2	Spacer Plastic Lg:13	Entretoise	Distanzstueck	Traviesa	
13	6099245M1	2	Washer Rubber	Rondelle Elastique	Gummischeibe	Arandela Elástica	
14	3512435M1	2	Washer M6	Rondelle	Scheibe	Arandela	
15	1441500X1	2	Nut M6 Z5 Nyloc	Ecrou	Flachmutter M6	Tuerca De Retención	
16	3512502M1	1	Cap, Protective	Chapeau	Kappe	Sombbrero	
17	6099909M1	1	Window-Rear Lower	Vitre	Glasscheibe	Cristal	
18	6099460M1	6	Cable Tie	Attache Câble	Kabelbinder	Enlace De Cable	
19	6099528M1	1	Grill-Air-Filter	Grille	Gitter	Rejilla	
20	3512494M1	1	Screw M6 X 12	Vis	Schraube	Tornillo	
21	6102154M1	1	Foam Seal	Joint D'Étanchéité	Dichtungsteil	Junta De Estanqueidad	
22	6099229M1	1	Support Filter - Nla	Support De Fixation	Befestigung	Soporte De Fijación	
23	3512494M1	2	Screw M6 X 12	Vis	Schraube	Tornillo	
24	6106468M1	2	Nut-M5 Cab	Ecrou	Mutter	Tuerca	
25	6099222M1	1	Bracket Grille	Patte Fixation	Halter	Pata De Fijación	
26	3512494M1	2	Screw M6 X 12	Vis	Schraube	Tornillo	
27	6106468M1	2	Nut-M5 Cab	Ecrou	Mutter	Tuerca	
28	3512340M1	2	Striker Pin	Goupille	Bolzen	Placa De Cierre	



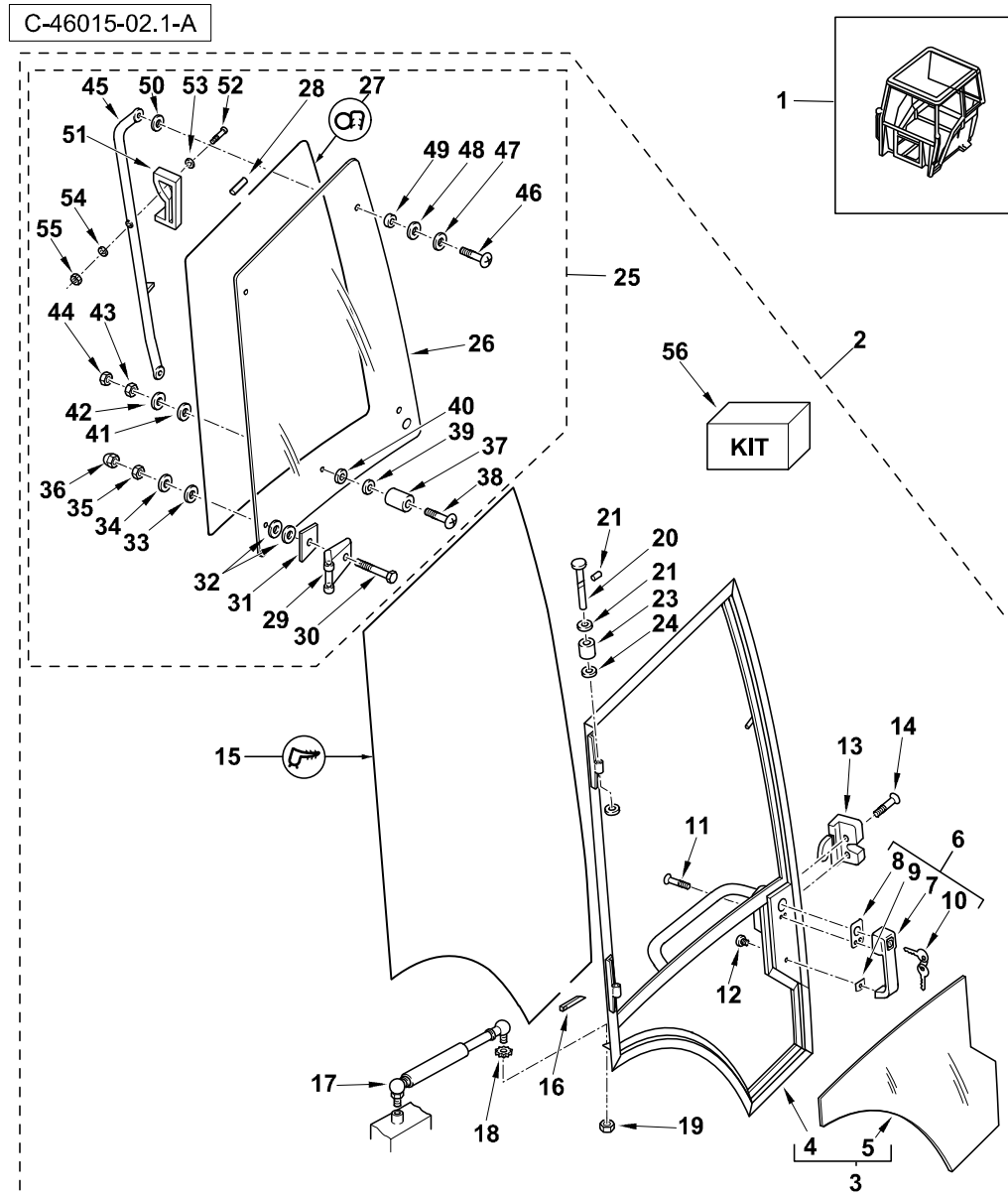
C-46015-01.1-B





Item	Part No.	Qty.	English	French	German	Spanish	Remarks
29	3512441M1	2	Guard Striker Pin	Protecteur	Schutz	Protector	
30	3512620M1	2	Washer With Facette	Rondelle	Scheibe	Arandela	
31	3008865X1	2	Nut M12	Ecrou	Mutter	Tuerca	
32	6099408M1	4	Plug-Cab	Bouchon	Stopfen	Tapón	
33	3512805M1	2	Stop Rubber	Butée	Anschlag	Tope	
34	6099579M1	3	Grommet	Passe-Fil	Tülle	Pasa Cable	
35	6101354M91	2	Harness Headlight	Faisceau	Kabelstrang	Haz	
36	6106469M1	2	Nut-M8 Cab	Ecrou	Mutter	Tuerca	
37	6099408M1	4	Plug-Cab	Bouchon	Stopfen	Tapón	
38	6099579M1	3	Grommet	Passe-Fil	Tülle	Pasa Cable	
39	6099460M1	3	Cable Tie	Attache Câble	Kabelbinder	Enlace De Cable	
40	6099407M1	1	Hook	Crochet	Haken	Gancho	
41	6099458M1	1	Rivet-4x16,9	Rivet	Niete	Remache	
42	6002676M1	1	Plate Warning	Plaque Avertissement	Warnschild	Placa De Advertencia	
43	#PLATE, APPROVAL	1	Plate, Approval	Plate, Approval	Plate, Approval	Plate, Approval	Ref. 2
44	#PLATE, IDENTITY	1	Plate, Identity	Plate, Identity	Plate, Identity	Plate, Identity	Ref. 2
45	519566M1	12	Rivet No. 43	Rivet	Niete	Remache	
46	3512244M1	1	Grip For Handle	Attache	Befestigungsvorricht.	Eganche	
47	3512494M1	2	Screw M6 X 12	Vis	Schraube	Tornillo	
48	6099463M1	1	Seal Strip 1100mm	Bande D' Etanchéité	Dichtstreifen	Banda Estanqueidad	
49	6099460M1	5	Cable Tie	Attache Câble	Kabelbinder	Enlace De Cable	



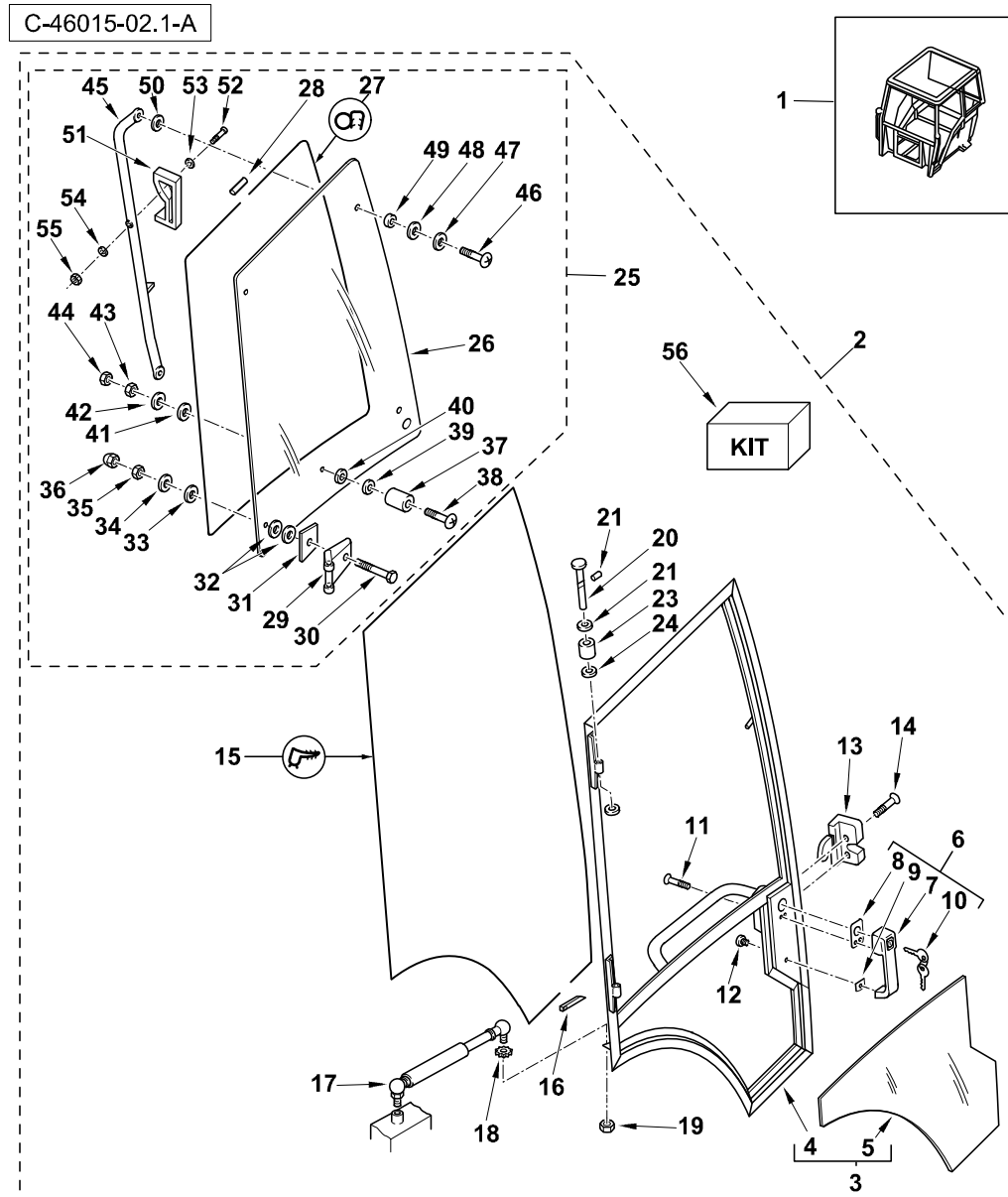


Item	Part No.	Qty.	English	French	German	Spanish	Remarks
1	6099759M93GY02	1	Installation Cab Terex - (Benford Grey)	Ensemble De Cabine	Kabine Kpl.	Cabina, Conj.	
2	6099411M91	1	Door Assy LH	Ensemble De Porte	Tür Kpl.	Puerta, Conj.	
2	6099412M91	1	Door Assy RH	Ensemble De Porte	Tür Kpl.	Puerta, Conj.	
3	6099413M91	1	Door Frame Assy LH	Ensemble De Porte	Tür Kpl.	Bastidor, Conj.	
3	6099414M91	1	Door Frame Assy RH	Ensemble De Porte	Tür Kpl.	Bastidor, Conj.	
4	6099440M91	1	Door Frame RH Black	Ensemble De Porte	Tür Kpl.	Bastidor	
4	6099439M91	1	Door Frame LH Black	Ensemble De Porte	Tür Kpl.	Bastidor	
5	6099906M1	1	Window-Door Lower LH	Vitre	Glasscheibe	Cristal	
5	6099907M1	1	Window-Door Lower RH	Vitre	Glasscheibe	Cristal	
6	6099584M92	1	Push Button Handle	Ensemble De Poignée	Handgriff Kpl.	Empuñadura, Conj.	
7	#HANDLE	1	Handle	Handle	Handle	Handle	Ref. 6
8	6099585M1	1	Gasket Door Handle	Joint	Dichtung	Junta	
9	6099586M1	1	Gasket Door Handle	Joint	Dichtung	Junta	
10	6107891M1	1	Key, Multipurpose - 1 Pair	Clé	Schlüssel	Juego De Llaves	
11	3007934X1	3	Screw, Pan Hd. Coarse, M6 X 16, 4.8	Vis	Schraube	Tornillo	
12	3512448M1	1	Plug	Bouchon	Stopfen	Tapón	
13	3512369M91	1	Latch Assy LH	Verrou	Riegel	Cerrojo	
13	3512368M91	1	Latch Assy RH	Verrou	Verriegelung	Cerrojo	
14	3512498M1	1	Screw M8 X 30	Vis	Schraube	Tornillo	
15	6099417M1	1	Sealing Strip Lg:4400	Bande D´Etanchéité	Dichtstreifen	Banda Estanqueidad	
16	6099418M1	1	Round Pro•l Lg:50 - Nla	Articulation	Verbindung, Gelenk	Articulación	
17	3512902M92	1	Gas Strut - Cab Door	Vérin À Gaz	Gaszylinder	Gato De Gas	
18	391025X1	1	Lockwasher M8 (External Tooth)	Rondelle De Blocage	Sicherungsscheibe	Arandela De Freno	
19	394367X1	1	Nut, Hex. - Nyloc, M8	Ecrou Blocage M8	Flachmutter - M8	Tuerca De Retención	
20	3512879M1	2	Pin Hinge	Axe	Gelenkbolzen	Pasador	
21	3009420X1	2	Screw M5 X 6	Vis	Schraube	Tornillo	
22	3512619M1	7	Washer Plastic	Rondelle	Scheibe	Arandela	
23	6099231M1	4	Spacer	Entretoise	Distanzstueeck	Traviesa	
24	3512433M1	6	Washer Plastic	Rondelle	Scheibe	Arandela	
25	6099419M91	1	Top Door Window Assy LH	Ensemble De Fenêtre	Fenster Kpl.	Ventana, Conj.	

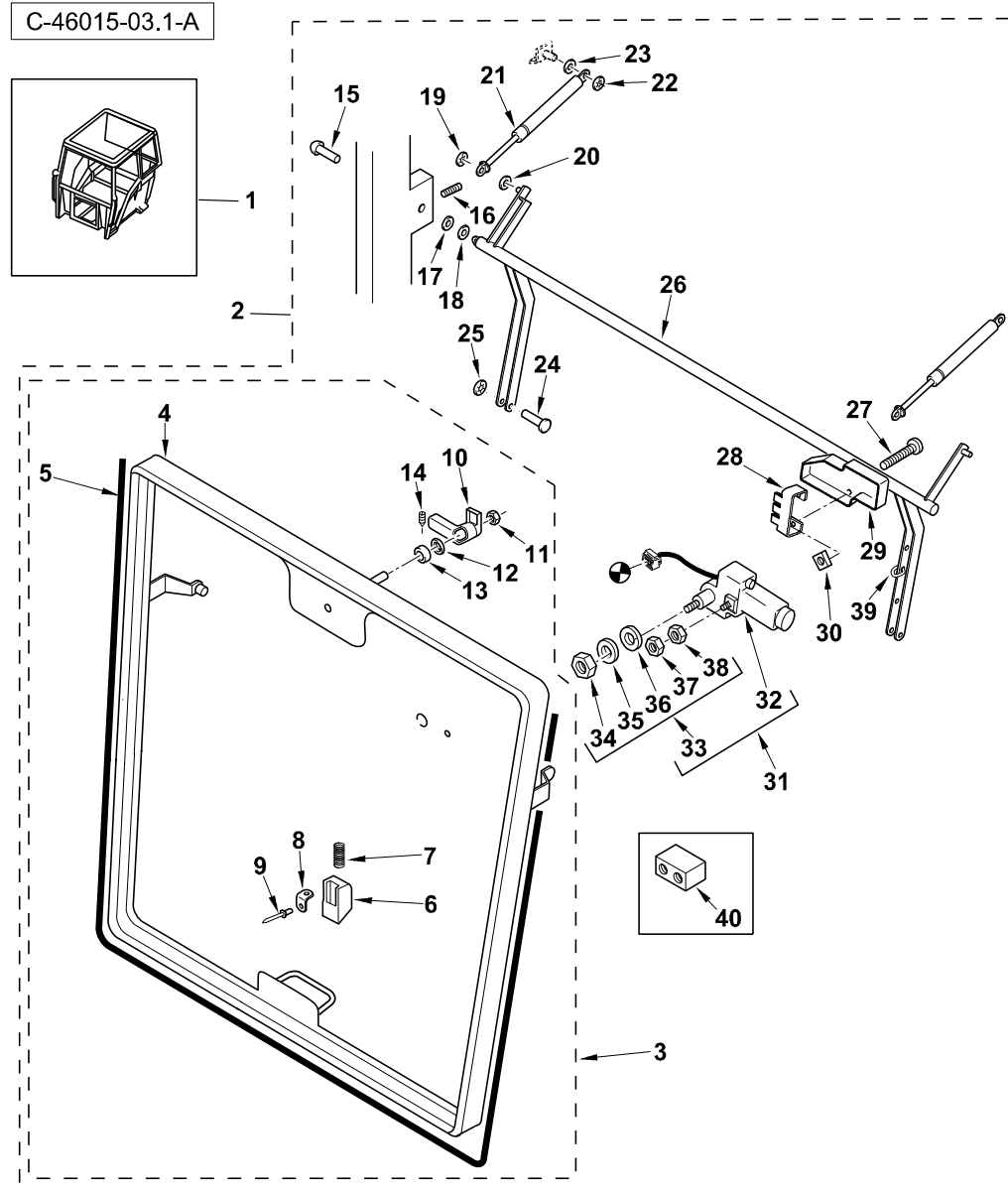




Item	Part No.	Qty.	English	French	German	Spanish	Remarks
25	6099420M91	1	Top Door Window Assy RH	Ensemble De Fenêtre	Fenster Kpl.	Ventana, Conj.	
26	6099905M1	1	Window-Door-Top RH	Vitre	Glasscheibe	Cristal	
26	6099904M1	1	Window-Door-Top LH	Vitre	Glasscheibe	Cristal	
27	6099421M1	1	Seal Strip 3400mm	Bande D Etancheite	Dichtstreifen	Banda Estanqueidad	
28	6099418M1	1	Round Pro •l Lg:50 - Nla	Articulation	Verbindung, Gelenk	Articulación	
29	3512937M1	1	Hinge	Charnière	Scharnier	Bisagra	
30	391096X1	2	Screw M6 X 35	Vis	Schraube - M6 X 35	Tornillo	
31	3512940M1	2	Spacer Rubber	Joint	Dichtring	Junta	
32	3512450M1	4	Spacer Plastic	Entretoise	Distanzstueck	Traviesa	
33	3512561M1	2	Washer Rubber	Rondelle Elastique	Gummischeibe	Arandela Elástica	
34	3512435M1	2	Washer M6	Rondelle	Scheibe	Arandela	
35	1441500X1	2	Nut M6 Z5 Nyloc	Ecrou	Flachmutter M6	Tuerca De Retención	
36	3512502M1	2	Cap, Protective	Chapeau	Kappe	Sombbrero	
37	3512363M1	1	Door Retainer	Arretoir	Befestigungsteil	Fijacion	
38	6106471M1	1	Screw M6 X 30	Vis	Schraube	Tornillo	
39	6099248M1	1	Washer Rubber	Rondelle Elastique	Gummischeibe	Arandela Elástica	
40	6099406M1	1	Spacer Plastic Lg:13	Entretoise	Distanzstueck	Traviesa	
41	3512561M1	1	Washer Rubber	Rondelle Elastique	Gummischeibe	Arandela Elástica	
42	3512435M1	1	Washer M6	Rondelle	Scheibe	Arandela	
43	1441500X1	1	Nut M6 Z5 Nyloc	Ecrou	Flachmutter M6	Tuerca De Retención	
44	3512502M1	1	Cap, Protective	Chapeau	Kappe	Sombbrero	
45	6099422M91	1	Handle Assy	Poignée Ass.	Handgriff Kplt	Empuñadura, Conj.	
46	3512392M1	2	Screw M6-25 Boa In Cab	Vis	Schraube	Tornillo	
47	3512435M1	2	Washer M6	Rondelle	Scheibe	Arandela	
48	3512561M1	2	Washer Rubber	Rondelle Elastique	Gummischeibe	Arandela Elástica	
49	3512450M1	2	Spacer Plastic	Entretoise	Distanzstueck	Traviesa	
50	3512561M1	2	Washer Rubber	Rondelle Elastique	Gummischeibe	Arandela Elástica	
51	6099423M1	1	Handle	Poignée	Handgriff	Asa	
52	391884X1	1	Bolt M6-50 Z5s	Goupille	Bolzen	Tornillo	
53	6106467M1	1	Washer-Plastic 6,4x18x2	Rondelle	Scheibe	Arandela	



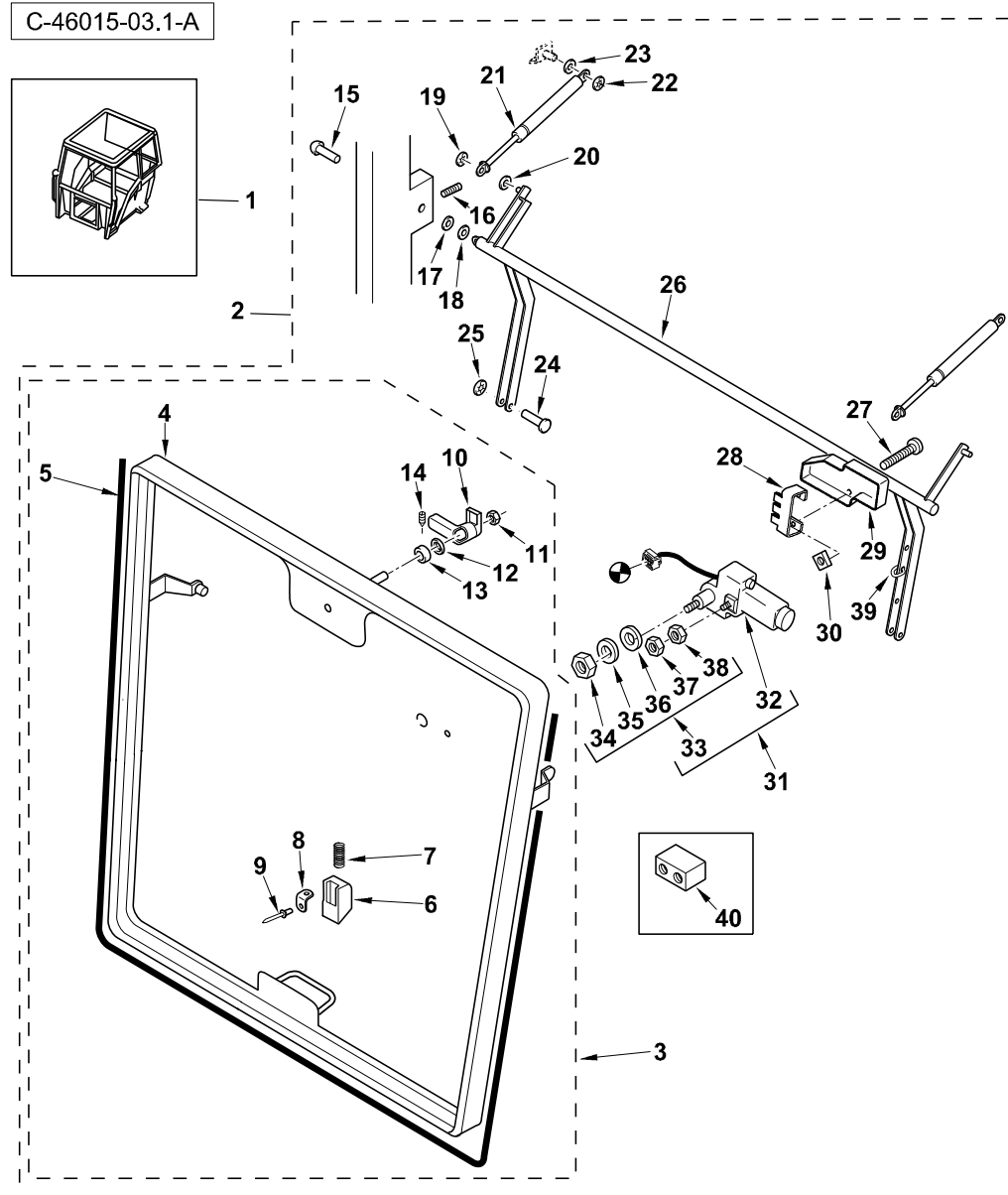
<b>Item</b>	<b>Part No.</b>	<b>Qty.</b>	<b>English</b>	<b>French</b>	<b>German</b>	<b>Spanish</b>	<b>Remarks</b>
54	1441500X1	1	Nut M6 Z5 Nyloc	Ecrou	Flachmutter M6	Tuerca De Retención	
55	3512502M1	1	Cap, Protective	Chapeau	Kappe	Sombreroete	
56	3621392M91	1	Kit - Glass Fixing	Jeu D'Adhésifs	Kleber	Empaque De Cola	





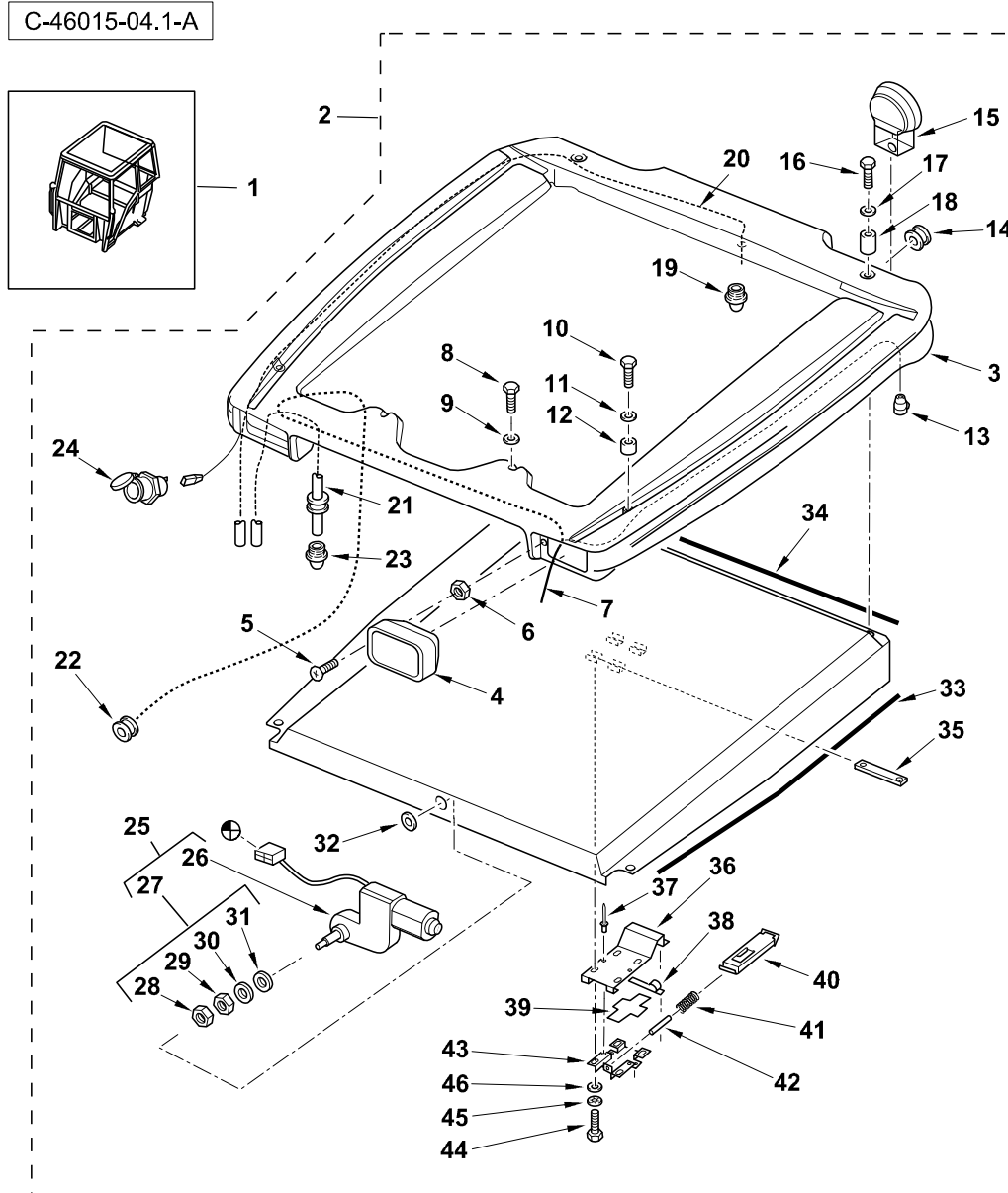
Item	Part No.	Qty.	English	French	German	Spanish	Remarks
1	6099759M93GY02	1	Installation Cab Terex - (Benford Grey)	Ensemble De Cabine	Kabine Kpl.	Cabina, Conj.	
2	6099762M91	1	Window-Rear ( Complete Assy )	Ensemble De Fenêtre	Fenster Kpl.	Ventana, Conj.	
3	6099765M91	1	Framed Glass Assy. - Rear Window	Ensemble De Fenêtre	Fenster Kpl.	Ventana, Conj.	
4	#FRAME	1	Frame	Frame	Frame	Frame	Ref. 3
5	6099763M1	1	Seal Rear Window Framed	Joint	Dichtung	Junta	
6	3512258M1	1	Pawl Rear Window Lock	Cliquet	Sperrklinke	Placa De Cierre	
7	3512255M1	1	Spring	Siège De Ressort	Federsitz	Muelle	
8	3512260M1	1	Stop Pawl	Siège De Ressort	Federsitz	Muelle	
9	522464M1	1	Rivet M3.2 X 6.	Rivet	Niete	Remache	
10	3512345M1	1	Handle Rear Window	Poignée	Handgriff	Asa	
11	3512513M1	1	Nut Brass M6	Ecrou	Mutter	Tuerca	
12	3512358M1	1	Spacer Rubber	Entretoise	Distanzstück	Traviesa	
13	3512357M1	1	Washer - 13mm X 20mm X 2mm	Rondelle	Scheibe	Arandela	
14	3512360M1	1	Grub Screw M4x1	Vis	Schraube	Tornillo	
15	6099249M1	2	Pin-F.Hinge 9.5x50	Axe	Bolzen	Pasador	
16	3009420X1	2	Screw M5 X 6	Vis	Schraube	Tornillo	
17	3512433M1	2	Washer Plastic	Rondelle	Scheibe	Arandela	
18	3512619M1	2	Washer Plastic	Rondelle	Scheibe	Arandela	
19	6099567M1	2	Ring - Self-Locking	Anneau De Retenue	Befestigungsring	Anillo De Retención	
20	6099591M1	2	Washer - Plastic, - 6.8 X 12 X 3	Rondelle	Scheibe	Arandela	
21	6099599M91	2	Gas Strut Assy	Vérin À Gaz	Gaszylinder	Gato De Gas	
22	6099567M1	2	Ring - Self-Locking	Anneau De Retenue	Befestigungsring	Anillo De Retención	
23	3512450M1	2	Spacer Plastic	Entretoise	Distanzstueck	Traviesa	
24	339229X1	2	Bolt M6-40 Z5s Lk	Boulon M6 X 40	Schraube M6 X 40	Tornillo	
25	1441500X1	2	Nut M6 Z5 Nyloc	Ecrou	Flachmutter M6	Tuerca De Retención	
26	6099610M91	1	Suspension Arm Assy	Bras	Arm	Brazo	
27	3512617M1	2	Screw Sheet Metal	Vis	Schraube	Tornillo	
28	3512257M1	1	Bracket Mounting	Patte Fixation	Halter	Soporte De Fijación	
29	6099468M1	1	Cover Rear Wiper Motor	Cache	Abdeckung	Tapa	
30	3512511M1	2	Nut M5	Ecrou	Mutter	Tuerca	





Item	Part No.	Qty.	English	French	German	Spanish	Remarks
31	3512338M91	1	Wiper Motor Rear	Moteur Essuie-Glace	Wischermotor	Motor Limpiaparabr.	
32	#MOTOR, WIPER	1	Motor, Wiper	Motor, Wiper	Motor, Wiper	Motor, Wiper	Ref. 31
33	3523335M91	1	Kit Mounting	Lot De Pièces	Ersatzteilkpaket	Juego De Piezas	
34	#NUT	1	Nut	Ecrou	Mutter	Tuerca	Ref. 33
35	#WASHER	1	Washer	Rondelle	Unterlegscheibe	Arandela	Ref. 33
36	#WASHER	1	Washer	Rondelle	Unterlegscheibe	Arandela	Ref. 33
37	#CAP	1	Cap	Chapeau	Kappe	Tapa	Ref. 33
38	#NUT	1	Nut	Ecrou	Mutter	Tuerca	Ref. 33
39	6099460M1	3	Cable Tie	Attache Câble	Kabelbinder	Enlace De Cable	
40	6099758M1	1	Spacer-Rear Window Panel Bolt	Entretoise	Distanzstück	Traviesa	





Item	Part No.	Qty.	English	French	German	Spanish	Remarks
1	6099759M94GY03	1	Cab Terex	Ensemble De Cabine	Kabine Kpl.	Cabina, Conj.	H200 08 5530
1	6099759M93GY03	1	Cab Terex - (Terex Grey)	Ensemble De Cabine	Kabine Kpl.	Cabina, Conj.	H200 08 5530
2	6099425M93	1	Roof Assy Outer Grey	Ensemble De Toit	Dach Kpl.	Techo, Conj.	H200 08 5530
2	6099425M94	1	Roof Assy	Ensemble De Toit	Dach Kpl.	Techo, Conj.	H200 08 5530
3	6099551M2	1	Roof Outer Grey	Toit	Dach	Techo	
4	6101560M91	2	Work Light Assy. - Front	Ensemble Phare Travail	Arbeitslicht Kpl.	Faro De Trabajo, Conj.	[46015c05.1 1]
5	6099456M1	4	Screw 4,2x45 (Din 7981ch)	Vis	Schraube	Tornillo	
6	6101590M1	4	Nut "U" M4	Ecrou	Mutter	Tuerca En U	
7	6112778M91	1	Cab Roof Harness With Roof Lights	Ensemble De Faisceau	Kabelstrang Kpl.	Haz, Conj.	H200 08 5530
7	6108826M91	1	Harness Assy. - Cab Roof	Ensemble De Faisceau	Kabelstrang Kpl.	Haz, Conj.	H200 08 5530
8	3512555M1	2	Screw, Pan Head - M5 X 10	Vis	Schraube	Tornillo	
9	6099561M1	2	Washer-Lartge	Rondelle	Scheibe	Arandela	
10	3009505X1	2	Hex. Bolt, M12 X 25 - Coarse	Boulon	Bolzen M12 X 25	Perno	
11	6099562M1	2	Washer	Rondelle	Scheibe	Arandela	
12	6099563M1	2	Spacer	Entretoise	Distanzstück	Traviesa	
13	3517621M91	1	Socket Auxiliary	Corps Rotule	Steckdose 12v	Toma De Corriente	
14	6099447M1	2	Grommet 22x28x4	Passe-Fil	Tülle	Pasa Cable	
15	6110033M91	2	Worklight - Rear	Ensemble Phare Trava	Arbeitsscheinwerfer Kpl.	Faro De Trabajo, Conj	[46015c06.1 1]
16	3009509X1	2	Bolt M12 X 45 (1.75) Zinc (Iso 8.8)	Boulon M12 X 45	Schraube M12 X 45	Tornillo	
17	6099562M1	2	Washer	Rondelle	Scheibe	Arandela	
18	6099564M1	2	Spacer	Entretoise	Distanzstück	Traviesa	
19	3512320M1	1	Nozzle Jet Washer	Diffuseur	Luftdüse	Difusor	
20	3522641M4	1	Tube Flexible Boa Cab	Flexible	Schlauch	Tubo Flexible	
21	3522640M3	1	Boa Tube Flexible Cab	Flexible	Schlauch	Tubo Flexible	
22	6099457M1	1	Grommet 20x26	Passe-Fil	Tülle	Pasa Cable	
23	3512320M1	1	Nozzle Jet Washer	Diffuseur	Luftdüse	Difusor	
24	3517621M91	1	Socket Auxiliary	Corps Rotule	Steckdose 12v	Toma De Corriente	
25	3504311M91	1	Motor - Wiper Front	Moteur Essuie-Glace	Wischermotor	Motor Limpiaparabr.	
26	#MOTOR, WIPER	1	Motor, Wiper	Motor, Wiper	Motor, Wiper	Motor, Wiper	Ref. 25
27	3523336M91	1	Kit Mounting	Lot De Pièces	Ersatzteilpaket	Juego De Piezas	

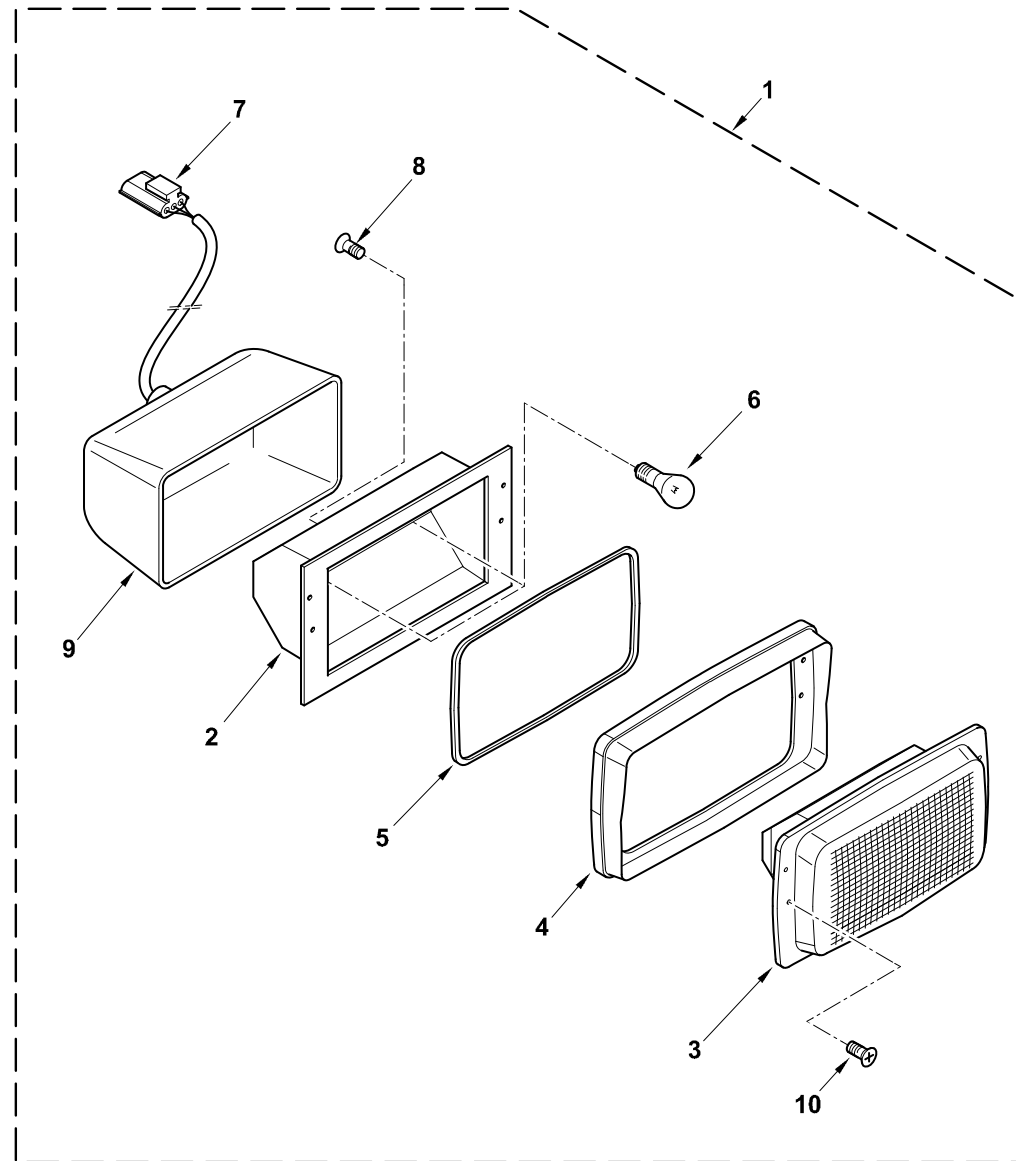




Item	Part No.	Qty.	English	French	German	Spanish	Remarks
28	#CAP	1	Cap	Chapeau	Kappe	Tapa	Ref. 27
29	#NUT	1	Nut	Ecrou	Mutter	Tuerca	Ref. 27
30	#WASHER	1	Washer	Rondelle	Unterlegscheibe	Arandela	Ref. 27
31	#WASHER	1	Washer	Rondelle	Unterlegscheibe	Arandela	Ref. 27
32	3019881X1	1	Washer-Lock M16	Rondelle Frein	Scheibe, Sicherungs-	Arandela De Freno	
33	6099454M1	2	Seal Strip 1200mm	Bande D´Etanchéité	Dichtstreifen	Junta	
34	6099455M1	1	Seal Strip 1100mm	Bande D´Etanchéité	Dichtstreifen	Junta	
35	3512591M1	2	Bracket Mounting	Plaque	Platte	Placa	
36	6099592M1	1	Plate-Support Rear Window	Support De Fixation	Befestigung	Soporte De Fijación	
37	6099595M1	2	Rivet-Blind	Rivet	Niete	Remache	
38	3512475M1	1	Seal, Foam	Joint D´Etanchéité	Dichtungsteil	Junta De Estanqueidad	
39	6099265M1	1	Spacer Plastic	Entretoise	Distanzstück	Traviesa	
40	6099593M1	1	Pawl-Rr Window Holder Weldd D	Verrou	Verriegelung	Cerrojo	
41	6099594M1	1	Spring	Siège De Ressort	Federsitz	Muelle	
42	1442357X1	1	Roll Pin	Goupille Elastique	Spannstift	Pasador Elástico	
43	6099596M1	1	Bracket Latch Assy	Patte Fixation	Halter	Pata De Fijación	
44	339123X1	4	Bolt M8-20 Z5f	Boulon M8 X 20	Maschschraube M8	Perno	
45	391025X1	4	Lockwasher M8 (External Tooth)	Rondelle De Blocage	Sicherungsscheibe	Arandela De Freno	
46	390972X1	4	Washer M8-17-1 Zwl	Rondelle M8	Scheibe - M8	Arandela	



C-46015-05.1-A

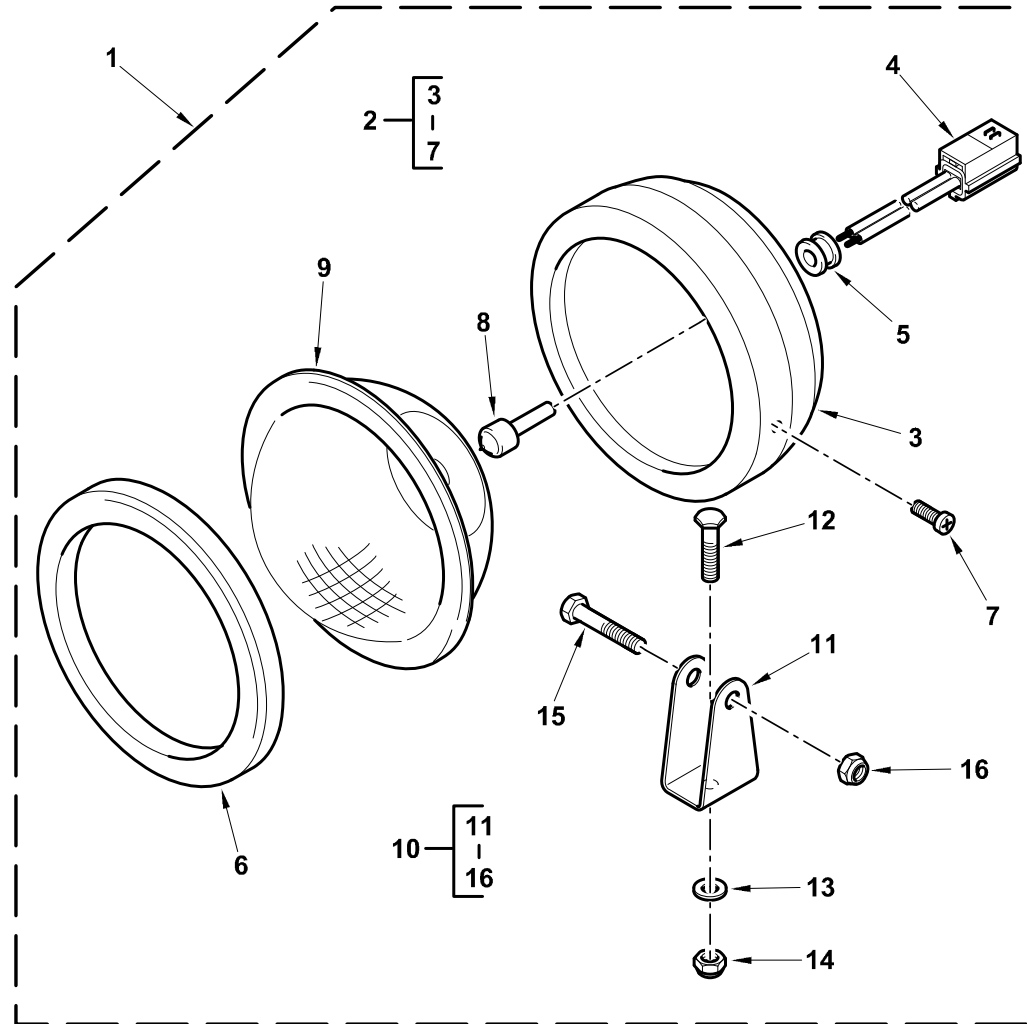




Item	Part No.	Qty.	English	French	German	Spanish	Remarks
1	6101560M91	1	Work Light Assy. - Front	Ensemble Phare Travail	Arbeitslicht Kpl.	Faro De Trabajo, Conj.	[46015c04.1 4]
2	#REFLECTOR	1	Re•ector	Re•ector	Re•ector	Re•ector	Ref. 1
3	6190753M91	1	Lens Assy Worklight	Lentille	Streuscheibe	Lente	
4	6190754M91	1	Rim Worklight	Jante	Feige	Corona	
5	#SEAL	1	Seal	Joint Étanchéité	Dichtring	Retén	Ref. 1
6	3523689M1	2	Bulb 12v.55w	Lampe	Lampe	Lámpara	
7	6190755M91	1	Harness Worklight	Faisceau	Kabelstrang	Haz	
8	#SCREW	1	Screw	Vis	Schraube	Tornillo	Ref. 1
9	#BODY	1	Body	Body	Body	Body	Ref. 1
10	#SCREW	2	Screw	Vis	Schraube	Tornillo	Ref. 1



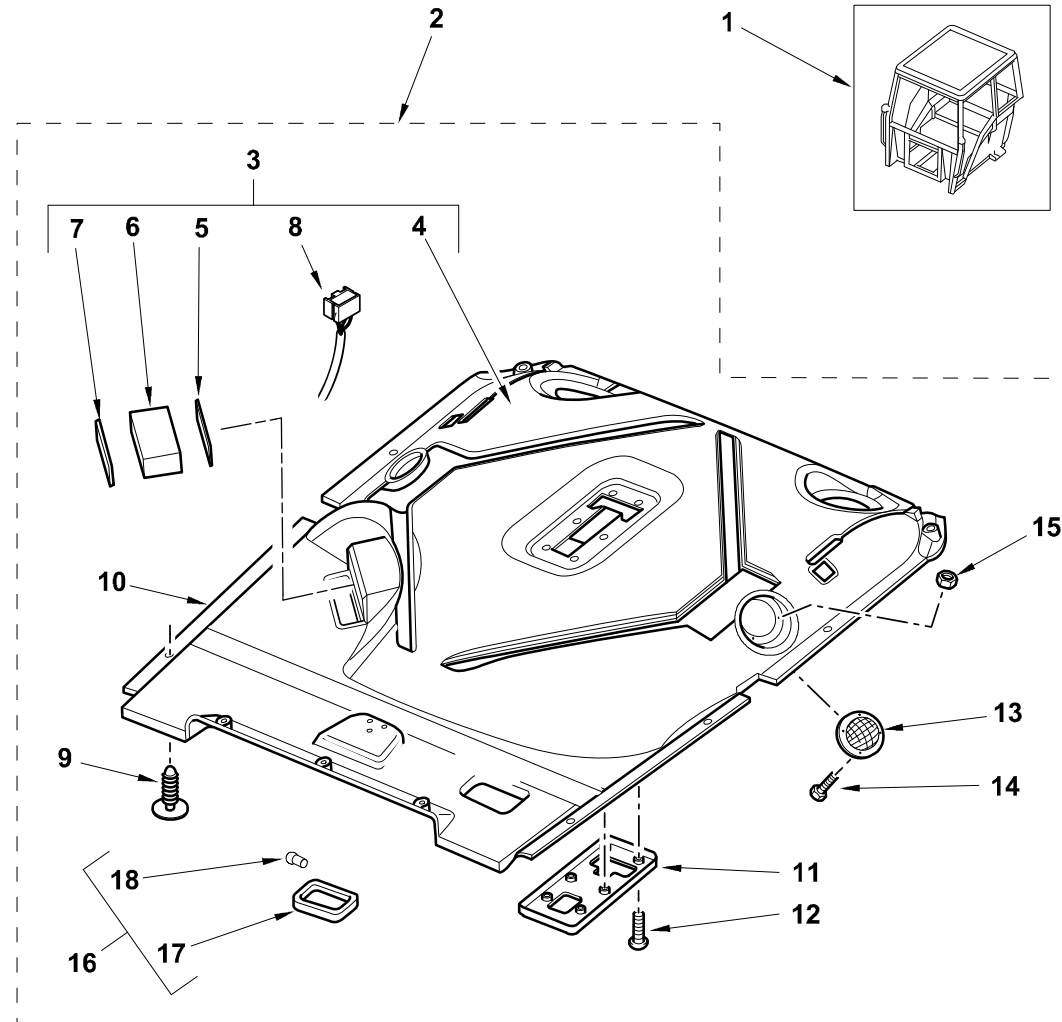
C-46015-06.1-A



Item	Part No.	Qty.	English	French	German	Spanish	Remarks
1	6110033M91	2	Worklight - Rear	Ensemble Phare Trava	Arbeitsscheinwerfer Kpl.	Faro De Trabajo, Conj	[46015c04.1 15]
2	6194001M91	1	Housing,Harness,Gasket,Screws	Lot De Pièces	Ersatzteilpaket	Juego De Piezas	
3	#BODY	1	Body	Body	Body	Body	Ref. 2
4	#HARNES	1	Harness	Harness	Harness	Harness	Ref. 2
5	#GROMMET	1	Grommet	Grommet	Grommet	Grommet	Ref. 2
6	#RIM	1	Rim	Rim	Rim	Rim	Ref. 2
7	#SCREW	1	Screw	Vis	Schraube	Tornillo	Ref. 2
8	3523689M1	1	Bulb 12v.55w	Lampe	Lampe	Lámpara	
9	6194002M91	1	Light Unit Without Bulb	Catadioptr	Rückstrahler	Re•ector	
10	6194003M91	1	Kit - Bracket + Hardwear (Worklamp)	Patte Fixation	Halter	Juego De Piezas	
11	#BRACKET	1	Bracket	Bracket	Bracket	Bracket	Ref. 10
12	#BOLT	1	Bolt	Boulon	Schraubbolzen	Perno	Ref. 10
13	#WASHER	1	Washer	Rondelle	Unterlegscheibe	Arandela	Ref. 10
14	#NUT	1	Nut	Ecrou	Mutter	Tuerca	Ref. 10
15	#BOLT	1	Bolt	Boulon	Schraubbolzen	Perno	Ref. 10
16	#NUT	1	Nut	Ecrou	Mutter	Tuerca	Ref. 10



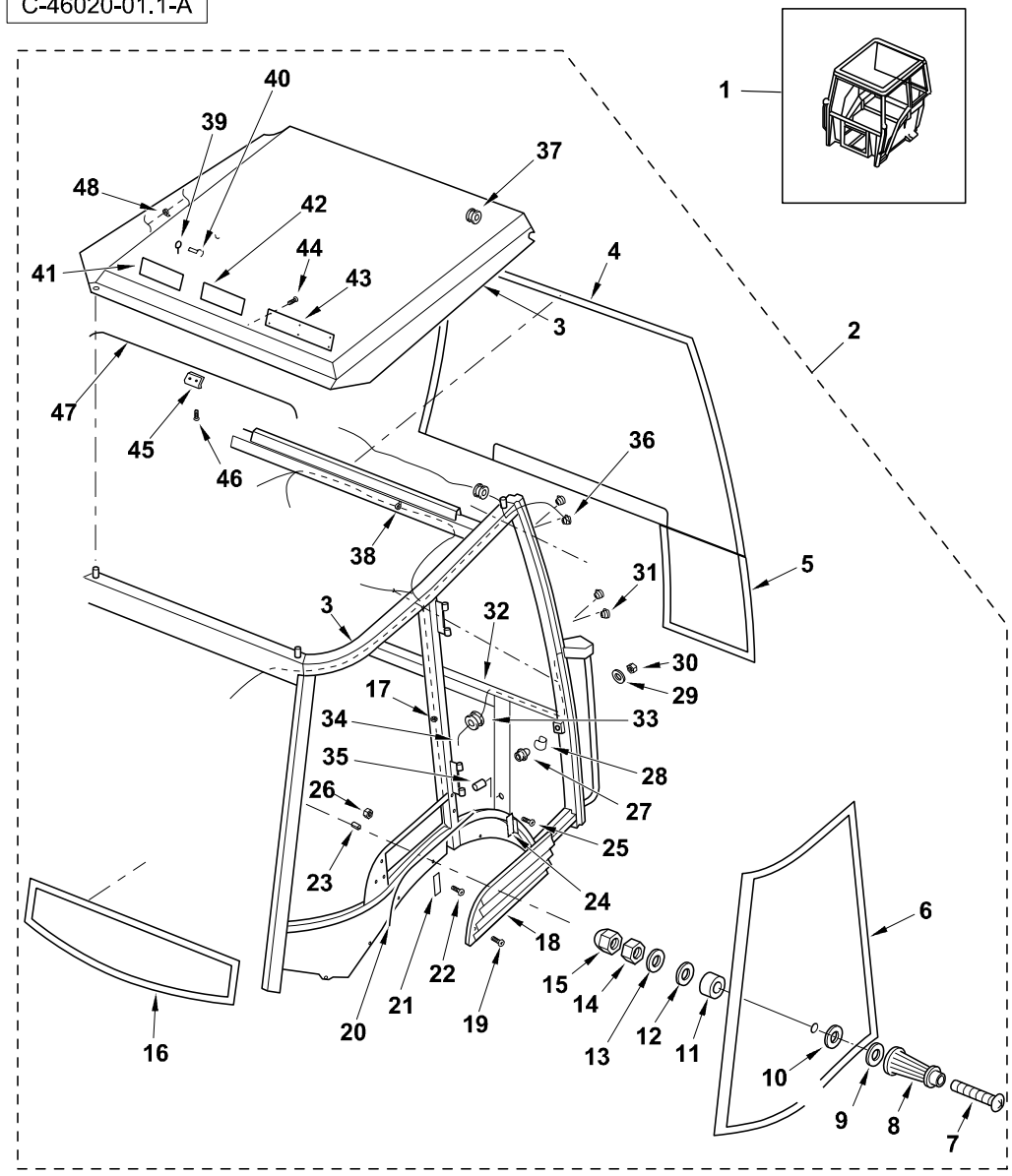
C-46015-07.1-B



Item	Part No.	Qty.	English	French	German	Spanish	Remarks
1	6099759M93GY02	1	Installation Cab Terex - (Benford Grey)	Ensemble De Cabine	Kabine Kpl.	Cabina, Conj.	
2	6099405M93	1	Roof Assy Inner	Ensemble De Toit	Dach Kpl.	Techo, Conj.	
3	6099771M91	1	Roof Liner	Pavillon	Kabinenhimmel	Pabellón	
4	#LINING	1	Lining	Lining	Lining	Lining	Ref. 3
5	#PLATE, BACKING	1	Plate, Backing	Plate, Backing	Plate, Backing	Plate, Backing	Ref. 3
6	6109772M1	1	Housing - Radio	Carter	Gehäuse	Cárter	
7	6109775M1	1	Panel - Radio Blank	Cache	Abdeckung	Tapa	
8	6109777M91	1	Harness - Radio Speakers	Faisceau	Beschirrung	Haz, Conj.	
9	6102077M1	14	Fastener Fir Tree	Attache	Befestigungsvorrichtung	Eganche	
10	6099461M1	2	Pro•le	Pro•le	Pro•l	Per•l	
11	6099247M1	1	Cover-Inner Roof	Cache	Abdeckung	Tapa	
12	3512617M1	6	Screw Sheet Metal	Vis	Schraube	Tornillo	
13	3516210M1	2	Grille Speaker	Grille	Grill	Rejilla	
14	6099448M1	8	Screw-4,8x25 (Din 7985)	Vis	Schraube	Tornillo	
15	3512511M1	8	Nut M5	Ecrou	Mutter	Tuerca	
16	3516209M92	1	Light Interior	Éclairage Intérieur	Innenbeleuchtung	Iluminación Interior	
17	#LAMP	1	Lamp	Lamp	Lamp	Lamp	Ref. 16
18	3523441M1	1	Bulb Festoon 12v.10w	Lampe	Lampe	Lámpara	

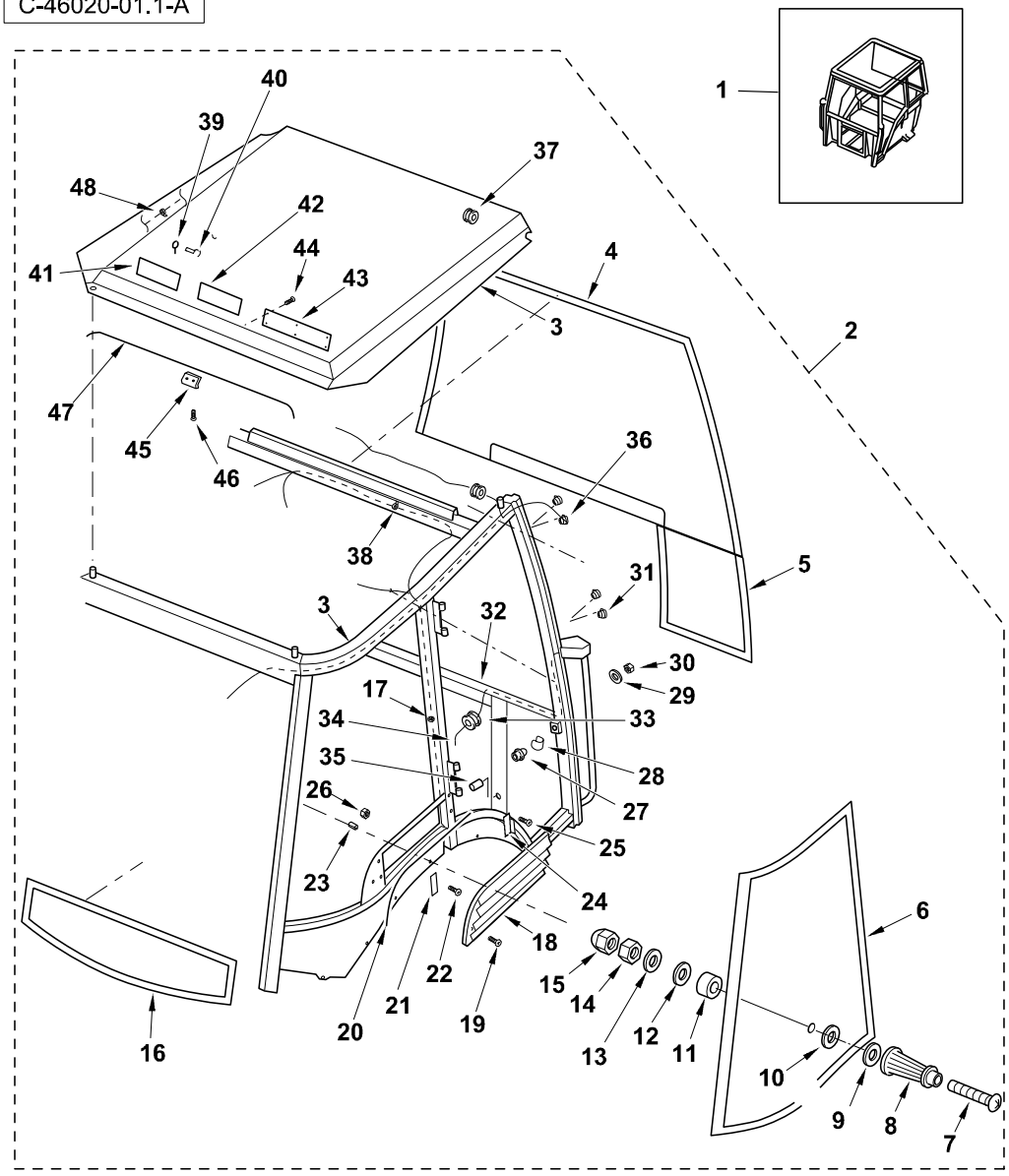


C-46020-01.1-A



Item	Part No.	Qty.	English	French	German	Spanish	Remarks
1	T101043	1	Cab - Black - 2 Door	Cabine	Kabine	Cabina	
2	T101063	1	Cab Frame Glazed - 2 Door	Cab Frame Glazed - 2 Door	Cab Frame Glazed - 2 Door	Cab Frame Glazed - 2 Door	
3	T101065	1	Cab Frame & Welded Roof - 2 Door	Cab Frame & Welded Roof - 2 Door	Cab Frame & Welded Roof - 2 Door	Cab Frame & Welded Roof - 2 Door	
4	6099916M1	1	Windscreen - Laminated Glass	Pare Brise	Windschutzscheib	Parabrisas	
5	6099903M1	1	Plough Window RH	Vitre	Glasscheibe	Cristal	
5	6099902M1	1	Plough Window LH	Vitre	Glasscheibe	Cristal	
6	6099911M1	1	Window-Corner Rear RH	Vitre	Glasscheibe	Cristal	
6	6099910M1	1	Window-Corner Rear LH	Vitre	Glasscheibe	Cristal	
7	6099920M1	1	Door Holder	Reteneur	Halterung	Retén	
8	6099459M1	2	Screw-M6x50 (Din 912)	Vis	Schraube	Tornillo	
9	3512435M1	2	Washer M6	Rondelle	Scheibe	Arandela	
10	6099245M1	2	Washer Rubber	Rondelle Elastique	Gummischeibe	Arandela Elástica	
11	6099406M1	2	Spacer Plastic Lg:13	Entretoise	Distanzstueck	Traviesa	
12	6099245M1	2	Washer Rubber	Rondelle Elastique	Gummischeibe	Arandela Elástica	
13	3512435M1	2	Washer M6	Rondelle	Scheibe	Arandela	
14	1441500X1	2	Nut M6 Z5 Nyloc	Ecrou	Flachmutter M6	Tuerca De Retención	
15	3512502M1	1	Cap, Protective	Chapeau	Kappe	Sombbrero	
16	6099909M1	1	Window-Rear Lower	Vitre	Glasscheibe	Cristal	
17	6099460M1	6	Cable Tie	Attache Câble	Kabelbinder	Enlace De Cable	
18	6099528M1	1	Grill-Air-Filter	Grille	Gitter	Rejilla	
19	3512494M1	1	Screw M6 X 12	Vis	Schraube	Tornillo	
20	6102154M1	1	Foam Seal	Joint D'Étanchéité	Dichtungsteil	Junta De Estanqueidad	
21	6099229M1	1	Support Filter - Nla	Support De Fixation	Befestigung	Soporte De Fijación	
22	3512494M1	2	Screw M6 X 12	Vis	Schraube	Tornillo	
23	6106468M1	2	Nut-M5 Cab	Ecrou	Mutter	Tuerca	
24	6099222M1	1	Bracket Grille	Patte Fixation	Halter	Pata De Fijación	
25	3512494M1	2	Screw M6 X 12	Vis	Schraube	Tornillo	
26	6106468M1	2	Nut-M5 Cab	Ecrou	Mutter	Tuerca	
27	3512340M1	2	Striker Pin	Goupille	Bolzen	Placa De Cierre	
28	3512441M1	2	Guard Striker Pin	Protecteur	Schutz	Protector	

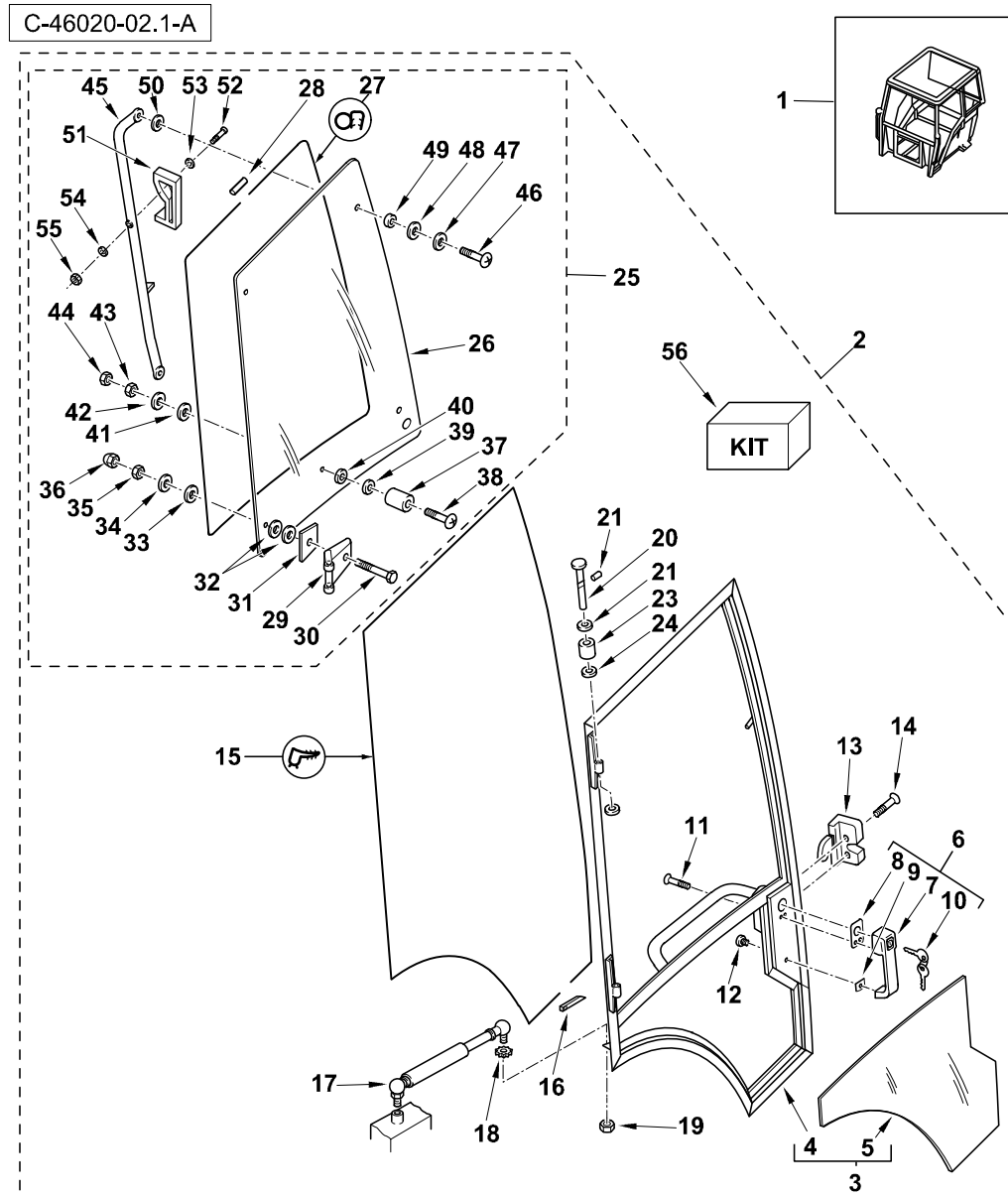
C-46020-01.1-A





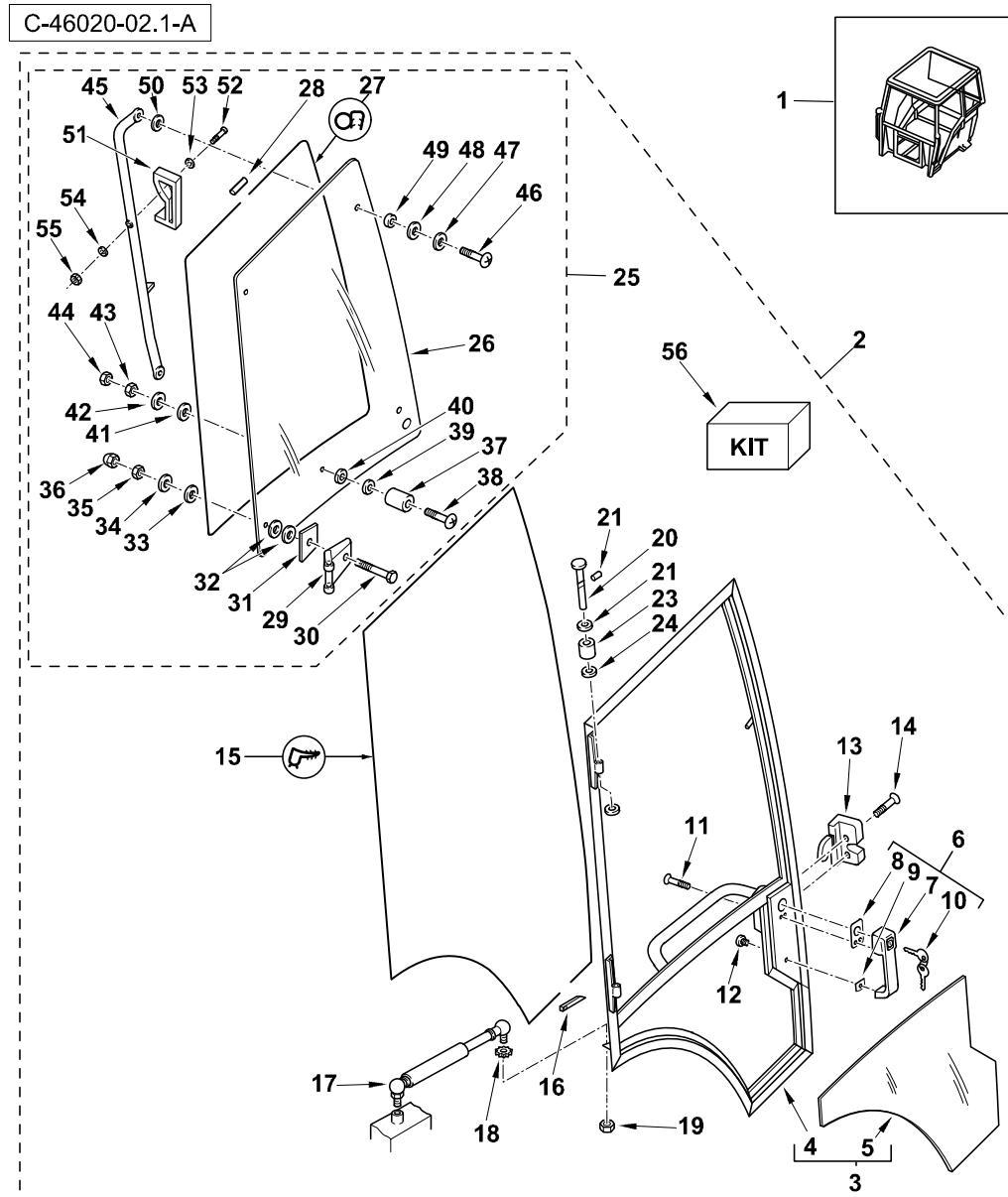
Item	Part No.	Qty.	English	French	German	Spanish	Remarks
29	3512620M1	2	Washer With Facette	Rondelle	Scheibe	Arandela	
30	3008865X1	2	Nut M12	Ecrou	Mutter	Tuerca	
31	6099408M1	4	Plug-Cab	Bouchon	Stopfen	Tapón	
32	3512805M1	2	Stop Rubber	Butée	Anschlag	Tope	
33	6099579M1	3	Grommet	Passe-Fil	Tülle	Pasa Cable	
34	6101354M91	2	Harness Headlight	Faisceau	Kabelstrang	Haz	
35	6106469M1	2	Nut-M8 Cab	Ecrou	Mutter	Tuerca	
36	6099408M1	4	Plug-Cab	Bouchon	Stopfen	Tapón	
37	6099579M1	3	Grommet	Passe-Fil	Tülle	Pasa Cable	
38	6099460M1	3	Cable Tie	Attache Câble	Kabelbinder	Enlace De Cable	
39	6099407M1	1	Hook	Crochet	Haken	Gancho	
40	6099458M1	1	Rivet-4x16,9	Rivet	Niete	Remache	
41	6002676M1	1	Plate Warning	Plaque Avertissement	Warnschild	Placa De Advertencia	
42	#PLATE, APPROVAL	1	Plate, Approval	Plate, Approval	Plate, Approval	Plate, Approval	Ref. 2
43	#PLATE, IDENTITY	1	Plate, Identity	Plate, Identity	Plate, Identity	Plate, Identity	Ref. 2
44	519566M1	12	Rivet No. 43	Rivet	Niete	Remache	
45	3512244M1	1	Grip For Handle	Attache	Befestigungsvorricht.	Eganche	
46	3512494M1	2	Screw M6 X 12	Vis	Schraube	Tornillo	
47	6099463M1	1	Seal Strip 1100mm	Bande D´Etanchéité	Dichtstreifen	Banda Estanqueidad	
48	6099460M1	5	Cable Tie	Attache Câble	Kabelbinder	Enlace De Cable	





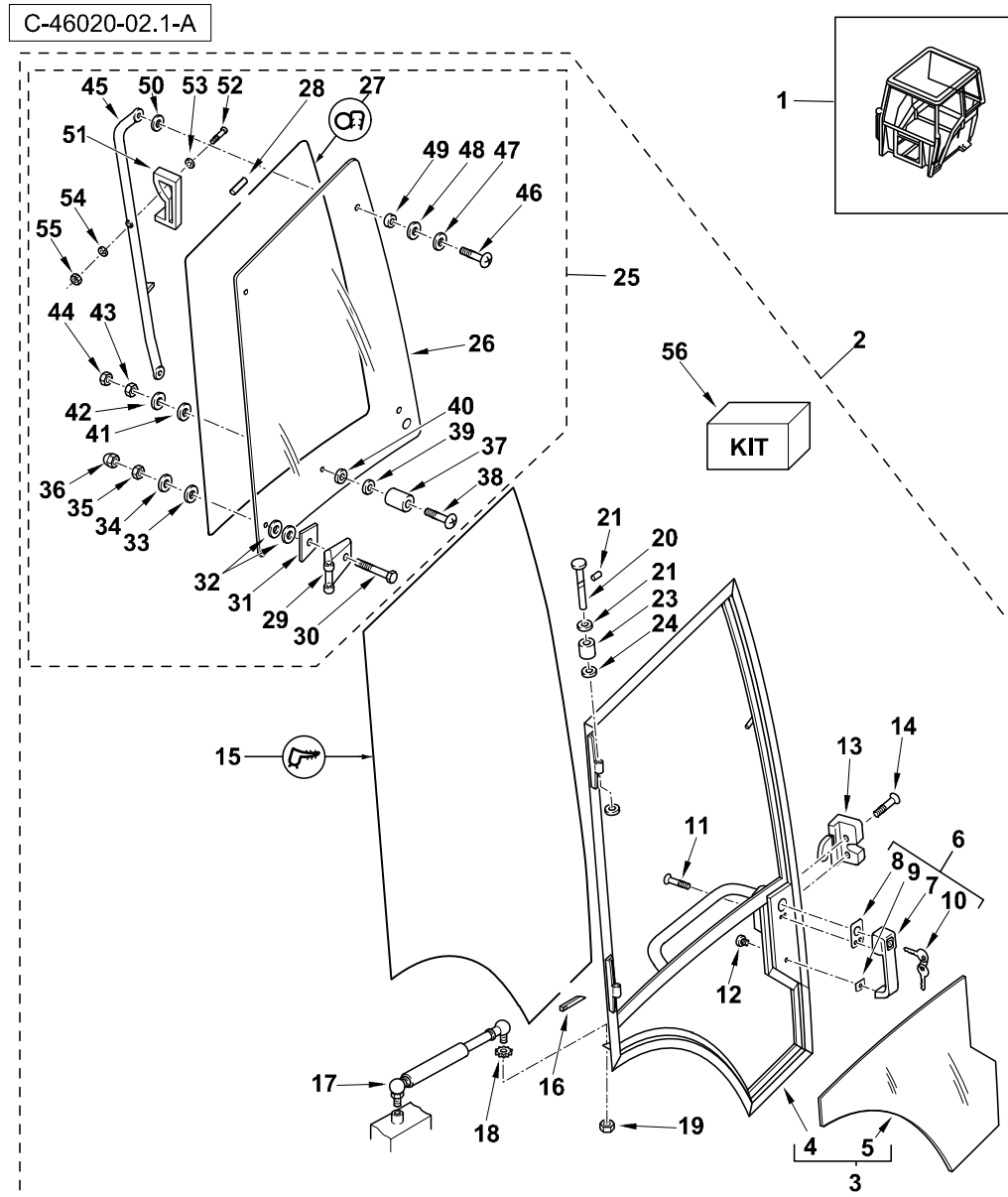
Item	Part No.	Qty.	English	French	German	Spanish	Remarks
1	T101043	1	Cab - Black - 2 Door	Cabine	Kabine	Cabina	
2	6099412M91	1	Door Assy RH	Ensemble De Porte	Tür Kpl.	Puerta, Conj.	
2	6099411M91	1	Door Assy LH	Ensemble De Porte	Tür Kpl.	Puerta, Conj.	
3	6099413M91	1	Door Frame Assy LH	Ensemble De Porte	Tür Kpl.	Bastidor, Conj.	
3	6099414M91	1	Door Frame Assy RH	Ensemble De Porte	Tür Kpl.	Bastidor, Conj.	
4	6099439M91	1	Door Frame LH Black	Ensemble De Porte	Tür Kpl.	Bastidor	
4	6099440M91	1	Door Frame RH Black	Ensemble De Porte	Tür Kpl.	Bastidor	
5	6099907M1	1	Window-Door Lower RH	Vitre	Glasscheibe	Cristal	
5	6099906M1	1	Window-Door Lower LH	Vitre	Glasscheibe	Cristal	
6	6099584M92	1	Push Button Handle	Ensemble De Poignée	Handgriff Kpl.	Empuñadura, Conj.	
7	#HANDLE	1	Handle	Handle	Handle	Handle	Ref. 6
8	6099585M1	1	Gasket Door Handle	Joint	Dichtung	Junta	
9	6099586M1	1	Gasket Door Handle	Joint	Dichtung	Junta	
10	6107891M1	1	Key, Multipurpose - 1 Pair	Clé	Schlüssel	Juego De Llaves	
11	3007934X1	3	Screw, Pan Hd. Coarse, M6 X 16, 4.8	Vis	Schraube	Tornillo	
12	3512448M1	1	Plug	Bouchon	Stopfen	Tapón	
13	3512369M91	1	Latch Assy LH	Verrou	Riegel	Cerrojo	
13	3512368M91	1	Latch Assy RH	Verrou	Verriegelung	Cerrojo	
14	3512498M1	1	Screw M8 X 30	Vis	Schraube	Tornillo	
15	6099417M1	1	Sealing Strip Lg:4400	Bande D´Etanchéité	Dichtstreifen	Banda Estanqueidad	
16	6099418M1	1	Round Pro•l Lg:50 - Nla	Articulation	Verbindung, Gelenk	Articulación	
17	3512902M92	1	Gas Strut - Cab Door	Vérin À Gaz	Gaszylinder	Gato De Gas	
18	391025X1	1	Lockwasher M8 (External Tooth)	Rondelle De Blocage	Sicherungsscheibe	Arandela De Freno	
19	394367X1	1	Nut, Hex. - Nyloc, M8	Ecrou Blocage M8	Flachmutter - M8	Tuerca De Retención	
20	3512879M1	2	Pin Hinge	Axe	Gelenkbolzen	Pasador	
21	3009420X1	2	Screw M5 X 6	Vis	Schraube	Tornillo	
22	3512619M1	7	Washer Plastic	Rondelle	Scheibe	Arandela	
23	6099231M1	4	Spacer	Entretoise	Distanzstueeck	Traviesa	
24	3512433M1	6	Washer Plastic	Rondelle	Scheibe	Arandela	
25	6099419M91	1	Top Door Window Assy LH	Ensemble De Fenêtre	Fenster Kpl.	Ventana, Conj.	



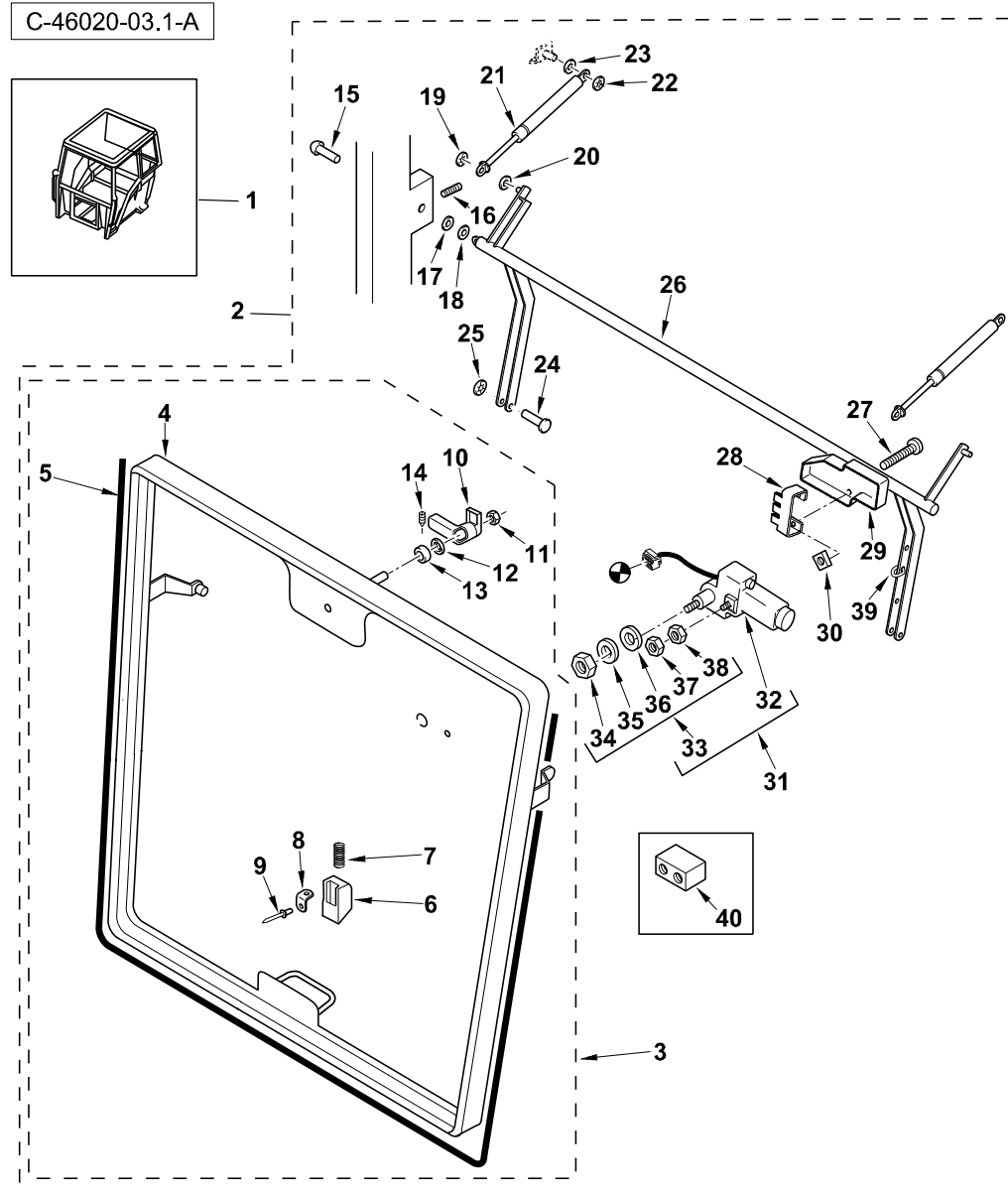


Item	Part No.	Qty.	English	French	German	Spanish	Remarks
25	6099420M91	1	Top Door Window Assy RH	Ensemble De Fenêtre	Fenster Kpl.	Ventana, Conj.	
26	6099905M1	1	Window-Door-Top RH	Vitre	Glasscheibe	Cristal	
26	6099904M1	1	Window-Door-Top LH	Vitre	Glasscheibe	Cristal	
27	6099421M1	1	Seal Strip 3400mm	Bande D Etancheite	Dichtstreifen	Banda Estanqueidad	
28	6099418M1	1	Round Pro •l Lg:50 - Nla	Articulation	Verbindung, Gelenk	Articulación	
29	3512937M1	1	Hinge	Charnière	Scharnier	Bisagra	
30	391096X1	2	Screw M6 X 35	Vis	Schraube - M6 X 35	Tornillo	
31	3512940M1	2	Spacer Rubber	Joint	Dichtring	Junta	
32	3512450M1	4	Spacer Plastic	Entretoise	Distanzstueck	Traviesa	
33	3512561M1	2	Washer Rubber	Rondelle Elastique	Gummischeibe	Arandela Elástica	
34	3512435M1	2	Washer M6	Rondelle	Scheibe	Arandela	
35	1441500X1	2	Nut M6 Z5 Nyloc	Ecrou	Flachmutter M6	Tuerca De Retención	
36	3512502M1	2	Cap, Protective	Chapeau	Kappe	Sombbrero	
37	3512363M1	1	Door Retainer	Arretoir	Befestigungsteil	Fijacion	
38	6106471M1	1	Screw M6 X 30	Vis	Schraube	Tornillo	
39	6099248M1	1	Washer Rubber	Rondelle Elastique	Gummischeibe	Arandela Elástica	
40	6099406M1	1	Spacer Plastic Lg:13	Entretoise	Distanzstueck	Traviesa	
41	3512561M1	1	Washer Rubber	Rondelle Elastique	Gummischeibe	Arandela Elástica	
42	3512435M1	1	Washer M6	Rondelle	Scheibe	Arandela	
43	1441500X1	1	Nut M6 Z5 Nyloc	Ecrou	Flachmutter M6	Tuerca De Retención	
44	3512502M1	1	Cap, Protective	Chapeau	Kappe	Sombbrero	
45	6099422M91	1	Handle Assy	Poignée Ass.	Handgriff Kplt	Empuñadura, Conj.	
46	3512392M1	2	Screw M6-25 Boa In Cab	Vis	Schraube	Tornillo	
47	3512435M1	2	Washer M6	Rondelle	Scheibe	Arandela	
48	3512561M1	2	Washer Rubber	Rondelle Elastique	Gummischeibe	Arandela Elástica	
49	3512450M1	2	Spacer Plastic	Entretoise	Distanzstueck	Traviesa	
50	3512561M1	2	Washer Rubber	Rondelle Elastique	Gummischeibe	Arandela Elástica	
51	6099423M1	1	Handle	Poignée	Handgriff	Asa	
52	391884X1	1	Bolt M6-50 Z5s	Goupille	Bolzen	Tornillo	
53	6106467M1	1	Washer-Plastic 6,4x18x2	Rondelle	Scheibe	Arandela	





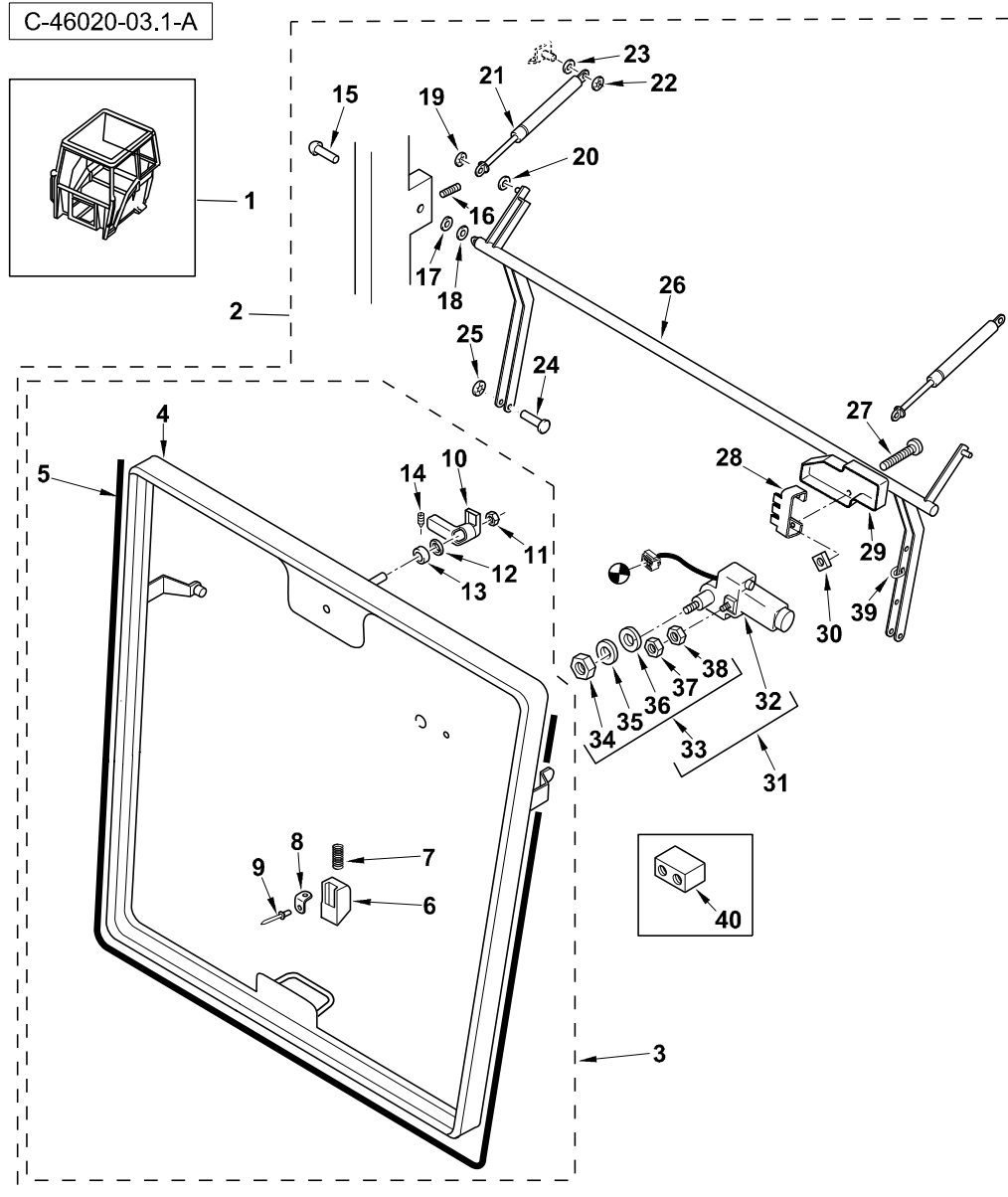
<b>Item</b>	<b>Part No.</b>	<b>Qty.</b>	<b>English</b>	<b>French</b>	<b>German</b>	<b>Spanish</b>	<b>Remarks</b>
54	1441500X1	1	Nut M6 Z5 Nyloc	Ecrou	Flachmutter M6	Tuerca De Retención	
55	3512502M1	1	Cap, Protective	Chapeau	Kappe	Sombreroete	
56	3621392M91	1	Kit - Glass Fixing	Jeu D'Adhésifs	Kleber	Empaque De Cola	



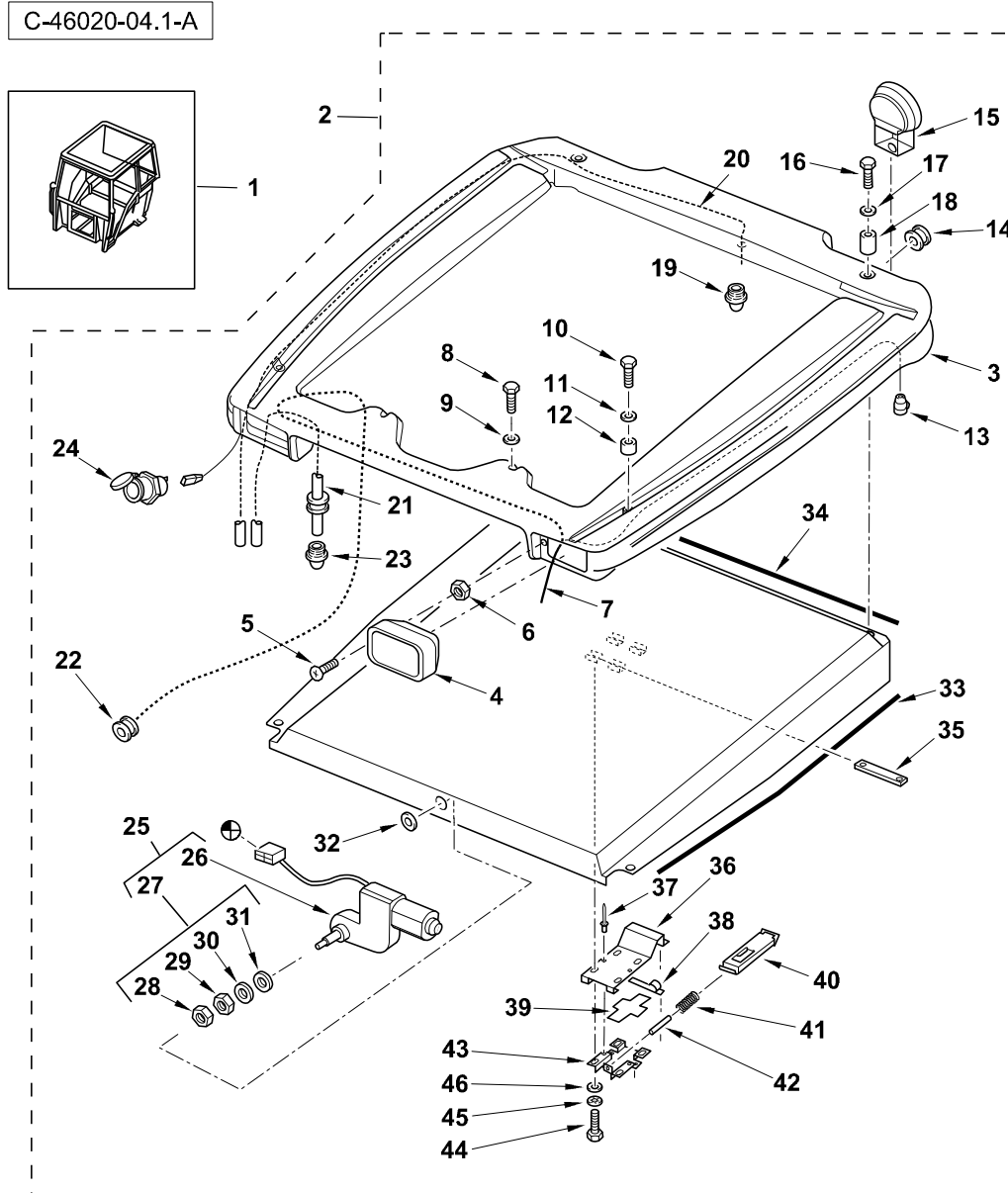


Item	Part No.	Qty.	English	French	German	Spanish	Remarks
1	T101043	1	Cab - Black - 2 Door	Cabine	Kabine	Cabina	
2	6099762M91	1	Window-Rear ( Complete Assy )	Ensemble De Fenêtre	Fenster Kpl.	Ventana, Conj.	
3	6099765M91	1	Framed Glass Assy. - Rear Window	Ensemble De Fenêtre	Fenster Kpl.	Ventana, Conj.	
4	#FRAME	1	Frame	Frame	Frame	Frame	Ref. 3
5	6099763M1	1	Seal Rear Window Framed	Joint	Dichtung	Junta	
6	3512258M1	1	Pawl Rear Window Lock	Cliquet	Sperrklinke	Placa De Cierre	
7	3512255M1	1	Spring	Siège De Ressort	Federsitz	Muelle	
8	3512260M1	1	Stop Pawl	Siège De Ressort	Federsitz	Muelle	
9	522464M1	1	Rivet M3.2 X 6.	Rivet	Niete	Remache	
10	3512345M1	1	Handle Rear Window	Poignée	Handgriff	Asa	
11	3512513M1	1	Nut Brass M6	Ecrou	Mutter	Tuerca	
12	3512358M1	1	Spacer Rubber	Entretoise	Distanzstück	Traviesa	
13	3512357M1	1	Washer - 13mm X 20mm X 2mm	Rondelle	Scheibe	Arandela	
14	3512360M1	1	Grub Screw M4x1	Vis	Schraube	Tornillo	
15	6099249M1	2	Pin-F.Hinge 9.5x50	Axe	Bolzen	Pasador	
16	3009420X1	2	Screw M5 X 6	Vis	Schraube	Tornillo	
17	3512433M1	2	Washer Plastic	Rondelle	Scheibe	Arandela	
18	3512619M1	2	Washer Plastic	Rondelle	Scheibe	Arandela	
19	6099567M1	2	Ring - Self-Locking	Anneau De Retenue	Befestigungsring	Anillo De Retención	
20	6099591M1	2	Washer - Plastic, - 6.8 X 12 X 3	Rondelle	Scheibe	Arandela	
21	6099599M91	2	Gas Strut Assy	Vérin À Gaz	Gaszylinder	Gato De Gas	
22	6099567M1	2	Ring - Self-Locking	Anneau De Retenue	Befestigungsring	Anillo De Retención	
23	3512450M1	2	Spacer Plastic	Entretoise	Distanzstueck	Traviesa	
24	339229X1	2	Bolt M6-40 Z5s Lk	Boulon M6 X 40	Schraube M6 X 40	Tornillo	
25	1441500X1	2	Nut M6 Z5 Nyloc	Ecrou	Flachmutter M6	Tuerca De Retención	
26	6099610M91	1	Suspension Arm Assy	Bras	Arm	Brazo	
27	3512617M1	2	Screw Sheet Metal	Vis	Schraube	Tornillo	
28	3512257M1	1	Bracket Mounting	Patte Fixation	Halter	Soporte De Fijación	
29	6099468M1	1	Cover Rear Wiper Motor	Cache	Abdeckung	Tapa	
30	3512511M1	2	Nut M5	Ecrou	Mutter	Tuerca	



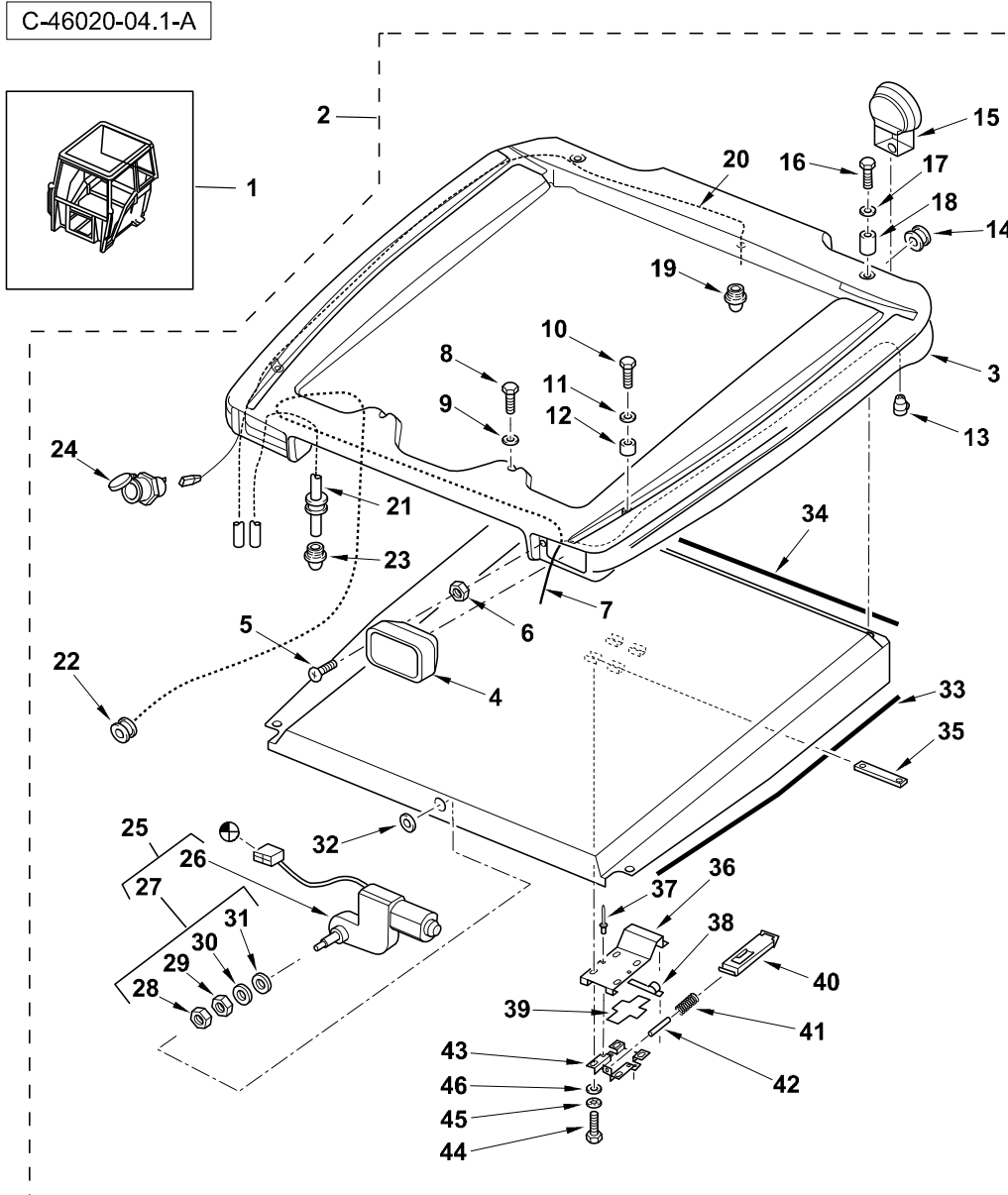


Item	Part No.	Qty.	English	French	German	Spanish	Remarks
31	3512338M91	1	Wiper Motor Rear	Moteur Essuie-Glace	Wischermotor	Motor Limpiaparabr.	
32	#MOTOR, WIPER	1	Motor, Wiper	Motor, Wiper	Motor, Wiper	Motor, Wiper	Ref. 31
33	3523335M91	1	Kit Mounting	Lot De Pièces	Ersatzteilkpaket	Juego De Piezas	
34	#NUT	1	Nut	Ecrou	Mutter	Tuerca	Ref. 33
35	#WASHER	1	Washer	Rondelle	Unterlegscheibe	Arandela	Ref. 33
36	#WASHER	1	Washer	Rondelle	Unterlegscheibe	Arandela	Ref. 33
37	#CAP	1	Cap	Chapeau	Kappe	Tapa	Ref. 33
38	#NUT	1	Nut	Ecrou	Mutter	Tuerca	Ref. 33
39	6099460M1	3	Cable Tie	Attache Câble	Kabelbinder	Enlace De Cable	
40	6099758M1	1	Spacer-Rear Window Panel Bolt	Entretoise	Distanzstück	Traviesa	



Item	Part No.	Qty.	English	French	German	Spanish	Remarks
1	T101043	1	Cab - Black - 2 Door	Cabine	Kabine	Cabina	
2	T101058	1	Roof Assy - Black	Toit		Techo	
3	T101059	1	Roof Outer - Black	Toit	Dach	Techo	
4	6101560M91	2	Work Light Assy. - Front	Ensemble Phare Travail	Arbeitslicht Kpl.	Faro De Trabajo, Conj.	
5	6099456M1	4	Screw 4,2x45 (Din 7981ch)	Vis	Schraube	Tornillo	
6	6101590M1	4	Nut "U" M4	Ecrou	Mutter	Tuerca En U	
7	6112778M91	1	Cab Roof Harness With Roof Lights	Ensemble De Faisceau	Kabelstrang Kpl.	Haz, Conj.	
8	3512555M1	2	Screw, Pan Head - M5 X 10	Vis	Schraube	Tornillo	
9	6099561M1	2	Washer-Lartge	Rondelle	Scheibe	Arandela	
10	3009505X1	2	Hex. Bolt, M12 X 25 - Coarse	Boulon	Bolzen M12 X 25	Perno	
11	6099562M1	2	Washer	Rondelle	Scheibe	Arandela	
12	6099563M1	2	Spacer	Entretoise	Distanzstück	Traviesa	
13	3517621M91	1	Socket Auxiliary	Corps Rotule	Steckdose 12v	Toma De Corriente	
14	6099447M1	2	Grommet 22x28x4	Passe-Fil	Tülle	Pasa Cable	
15	6110033M91	2	Worklight - Rear	Ensemble Phare Trava	Arbeitsscheinwerfer Kpl.	Faro De Trabajo, Conj	
16	3009509X1	2	Bolt M12 X 45 (1.75) Zinc (Iso 8.8)	Boulon M12 X 45	Schraube M12 X 45	Tornillo	
17	6099562M1	2	Washer	Rondelle	Scheibe	Arandela	
18	6099564M1	2	Spacer	Entretoise	Distanzstück	Traviesa	
19	3512320M1	1	Nozzle Jet Washer	Diffuseur	Luftdüse	Difusor	
20	3522641M4	1	Tube Flexible Boa Cab	Flexible	Schlauch	Tubo Flexible	
21	3522640M3	1	Boa Tube Flexible Cab	Flexible	Schlauch	Tubo Flexible	
22	6099457M1	1	Grommet 20x26	Passe-Fil	Tülle	Pasa Cable	
23	3512320M1	1	Nozzle Jet Washer	Diffuseur	Luftdüse	Difusor	
24	3517621M91	1	Socket Auxiliary	Corps Rotule	Steckdose 12v	Toma De Corriente	
25	3504311M91	1	Motor - Wiper Front	Moteur Essuie-Glace	Wischemotor	Motor Limpiaparabr.	
26	#MOTOR, WIPER	1	Motor, Wiper	Motor, Wiper	Motor, Wiper	Motor, Wiper	Ref. 25
27	3523336M91	1	Kit Mounting	Lot De Pièces	Ersatzteilkpaket	Juego De Piezas	
28	#CAP	1	Cap	Chapeau	Kappe	Tapa	Ref. 27
29	#NUT	1	Nut	Ecrou	Mutter	Tuerca	Ref. 27
30	#WASHER	1	Washer	Rondelle	Unterlegscheibe	Arandela	Ref. 27

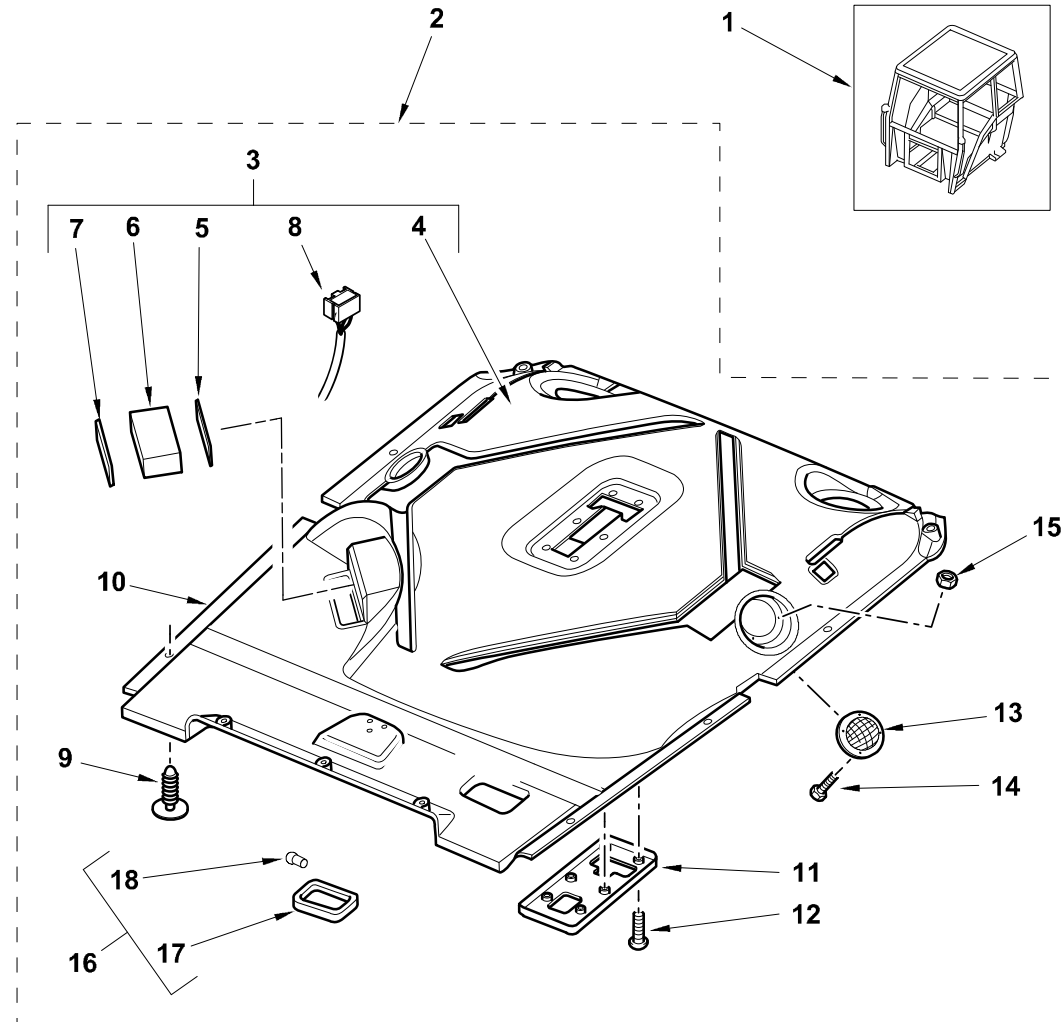




Item	Part No.	Qty.	English	French	German	Spanish	Remarks
31	#WASHER	1	Washer	Rondelle	Unterlegscheibe	Arandela	Ref. 27
32	3019881X1	1	Washer-Lock M16	Rondelle Frein	Scheibe, Sicherungs-	Arandela De Freno	
33	6099454M1	2	Seal Strip 1200mm	Bande D'Étanchéité	Dichtstreifen	Junta	
34	6099455M1	1	Seal Strip 1100mm	Bande D'Étanchéité	Dichtstreifen	Junta	
35	3512591M1	2	Bracket Mounting	Plaque	Platte	Placa	
36	6099592M1	1	Plate-Support Rear Window	Support De Fixation	Befestigung	Soporte De Fijación	
37	6099595M1	2	Rivet-Blind	Rivet	Niete	Remache	
38	3512475M1	1	Seal, Foam	Joint D'Étanchéité	Dichtungsteil	Junta De Estanqueidad	
39	6099265M1	1	Spacer Plastic	Entretoise	Distanzstück	Traviesa	
40	6099593M1	1	Pawl-Rr Window Holder Weldd D	Verrou	Verriegelung	Cerrojo	
41	6099594M1	1	Spring	Siège De Ressort	Federsitz	Muelle	
42	1442357X1	1	Roll Pin	Goupille Elastique	Spannstift	Pasador Elástico	
43	6099596M1	1	Bracket Latch Assy	Patte Fixation	Halter	Pata De Fijación	
44	339123X1	4	Bolt M8-20 Z5f	Boulon M8 X 20	Maschschraube M8	Perno	
45	391025X1	4	Lockwasher M8 (External Tooth)	Rondelle De Blocage	Sicherungsscheibe	Arandela De Freno	
46	390972X1	4	Washer M8-17-1 Zwl	Rondelle M8	Scheibe - M8	Arandela	



C-46020-05.1-A

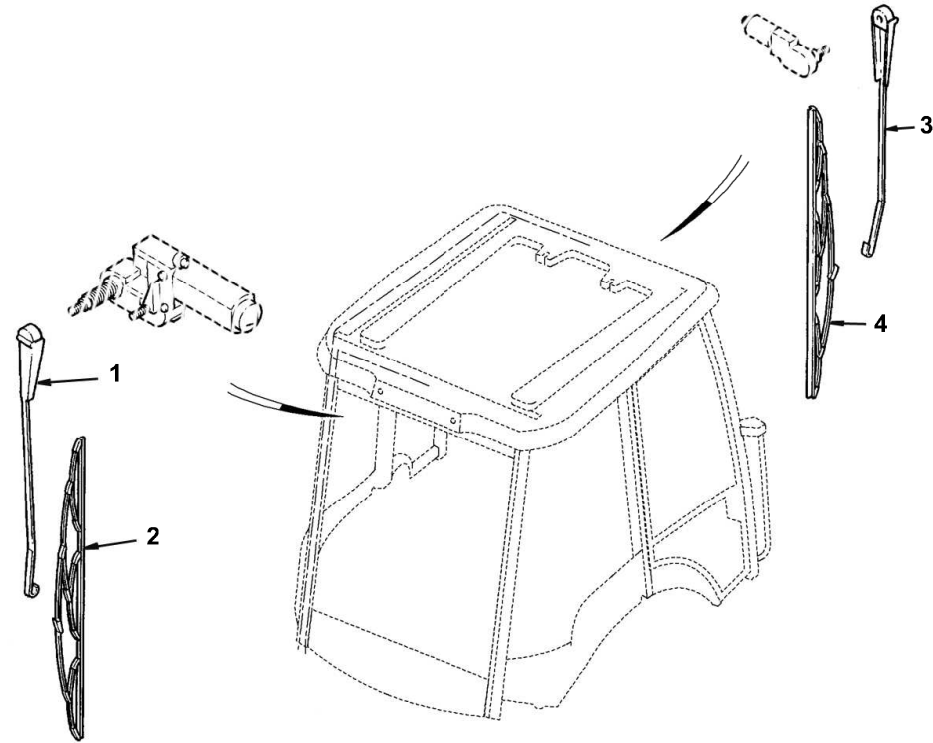




Item	Part No.	Qty.	English	French	German	Spanish	Remarks
1	T101043	1	Cab - Black - 2 Door	Cabine	Kabine	Cabina	
2	6099405M93	1	Roof Assy Inner	Ensemble De Toit	Dach Kpl.	Techo, Conj.	
3	6099771M91	1	Roof Liner	Pavillon	Kabinenhimmel	Pabellón	
4	#LINING	1	Lining	Lining	Lining	Lining	Ref. 3
5	#PLATE, BACKING	1	Plate, Backing	Plate, Backing	Plate, Backing	Plate, Backing	Ref. 3
6	6109772M1	1	Housing - Radio	Carter	Gehäuse	Cárter	
7	6109775M1	1	Panel - Radio Blank	Cache	Abdeckung	Tapa	
8	6109777M91	1	Harness - Radio Speakers	Faisceau	Beschirrung	Haz, Conj.	
9	6102077M1	14	Fastener Fir Tree	Attache	Befestigungsvorrichtung	Eganche	
10	6099461M1	2	Pro•le	Pro•le	Pro•l	Per•l	
11	6099247M1	1	Cover-Inner Roof	Cache	Abdeckung	Tapa	
12	3512617M1	6	Screw Sheet Metal	Vis	Schraube	Tornillo	
13	3516210M1	2	Grille Speaker	Grille	Grill	Rejilla	
14	6099448M1	8	Screw-4,8x25 (Din 7985)	Vis	Schraube	Tornillo	
15	3512511M1	8	Nut M5	Ecrou	Mutter	Tuerca	
16	3516209M92	1	Light Interior	Éclairage Intérieur	Innenbeleuchtung	Iluminación Interior	
17	#LAMP	1	Lamp	Lamp	Lamp	Lamp	Ref. 16
18	3523441M1	1	Bulb Festoon 12v.10w	Lampe	Lampe	Lámpara	



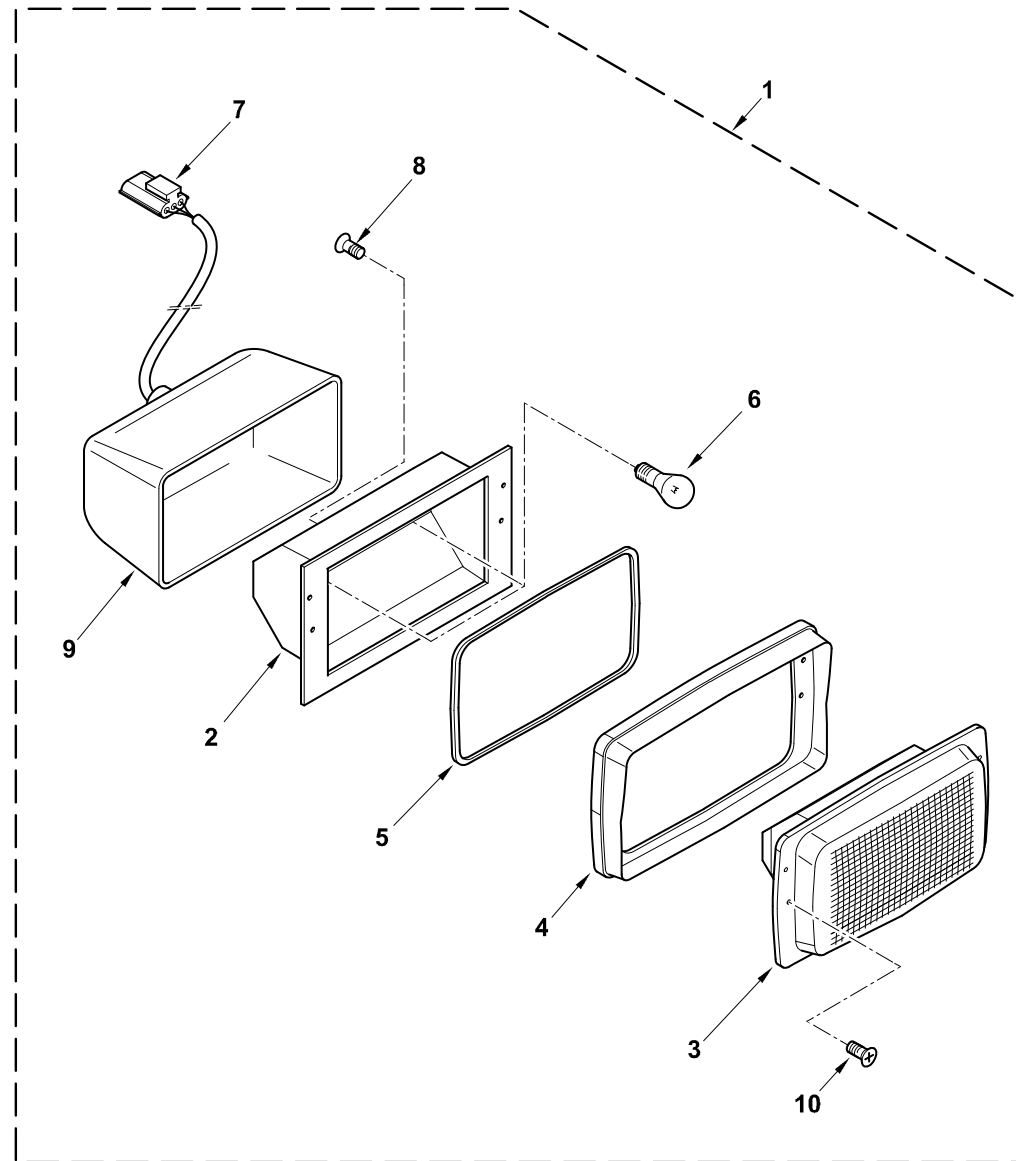
C-46020-06.1-A



<b>Item</b>	<b>Part No.</b>	<b>Qty.</b>	<b>English</b>	<b>French</b>	<b>German</b>	<b>Spanish</b>	<b>Remarks</b>
1	1473848M92	1	Arm Wiper Rear	Porte Balai	Wischerarm	Brazo Limpiaparabrisas	
2	1473847M91	1	Blade Wiper Fr/Rr	Balai D'Essuie-Glace	Wischerblatt	Escobilla Limpiaparabr.	
3	3512477M91	1	Arm Wiper Front	Porte Balai	Wischerarm	Brazo Limpiaparabrisas	
4	1473847M91	1	Blade Wiper Fr/Rr	Balai D'Essuie-Glace	Wischerblatt	Escobilla Limpiaparabr.	

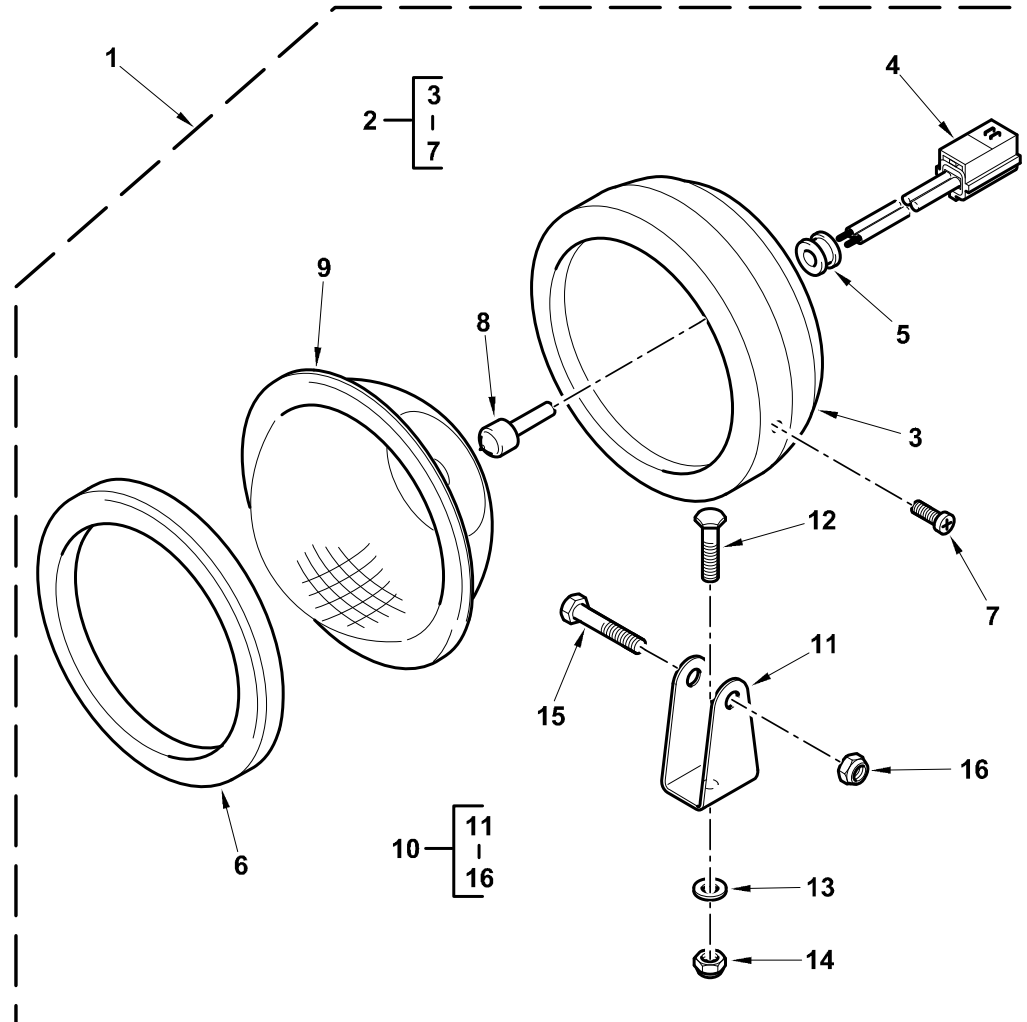


C-46020-07.1-A



Item	Part No.	Qty.	English	French	German	Spanish	Remarks
1	6101560M91	1	Work Light Assy. - Front	Ensemble Phare Travail	Arbeitslicht Kpl.	Faro De Trabajo, Conj.	
2	#REFLECTOR	1	Re•ector	Re•ector	Re•ector	Re•ector	Ref. 1
3	6190753M91	1	Lens Assy Worklight	Lentille	Streuscheibe	Lente	
4	6190754M91	1	Rim Worklight	Jante	Feige	Corona	
5	#SEAL	1	Seal	Joint Étanchéité	Dichtring	Retén	Ref. 1
6	3523689M1	2	Bulb 12v.55w	Lampe	Lampe	Lámpara	
7	6190755M91	1	Harness Worklight	Faisceau	Kabelstrang	Haz	
8	#SCREW	1	Screw	Vis	Schraube	Tornillo	Ref. 1
9	#BODY	1	Body	Body	Body	Body	Ref. 1
10	#SCREW	2	Screw	Vis	Schraube	Tornillo	Ref. 1

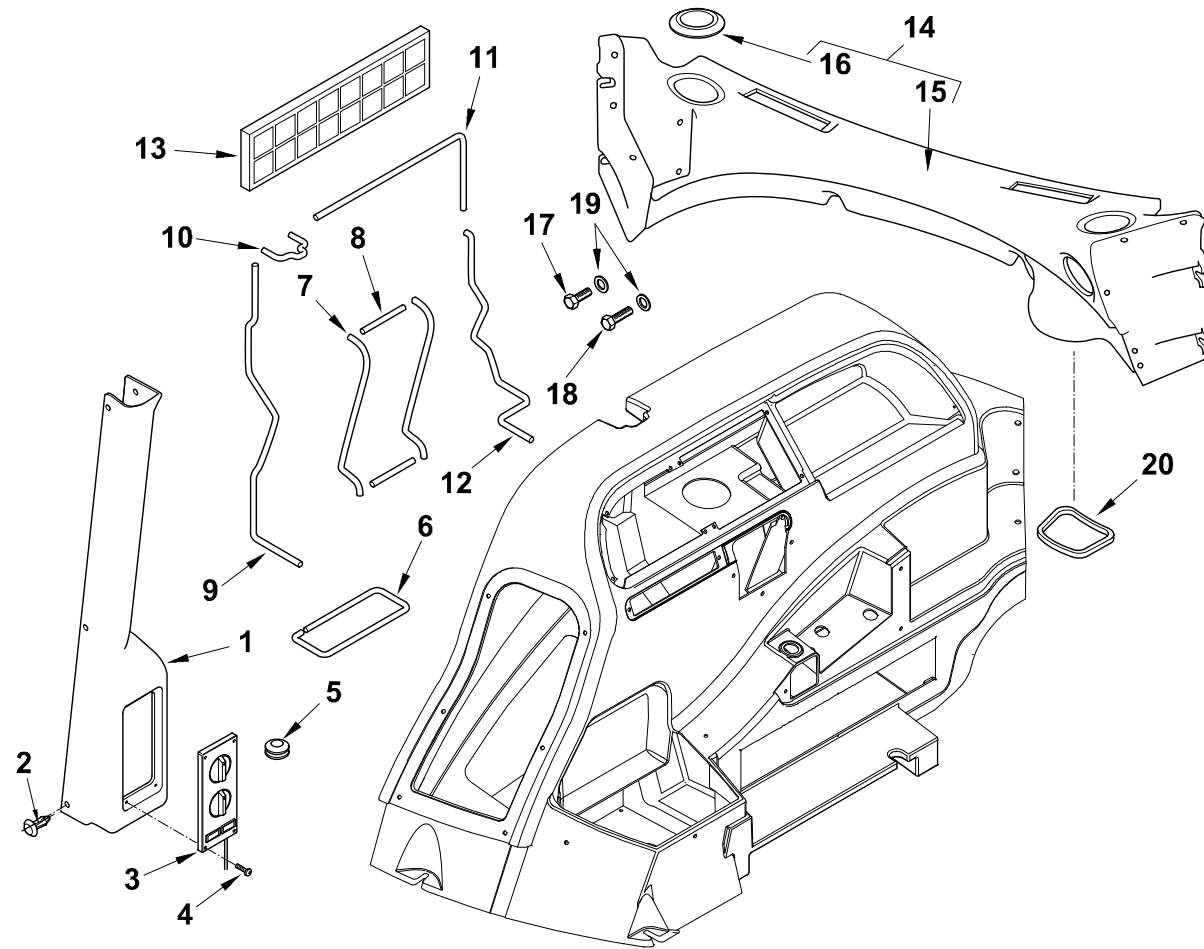
C-46020-08.1-A



Item	Part No.	Qty.	English	French	German	Spanish	Remarks
1	6110033M91	2	Worklight - Rear	Ensemble Phare Trava	Arbeitsscheinwerfer Kpl.	Faro De Trabajo, Conj	
2	6194001M91	1	Housing,Harness,Gasket,Screws	Lot De Pièces	Ersatzteilpaket	Juego De Piezas	
3	#BODY	1	Body	Body	Body	Body	Ref. 2
4	#HARNES	1	Harness	Harness	Harness	Harness	Ref. 2
5	#GROMMET	1	Grommet	Grommet	Grommet	Grommet	Ref. 2
6	#RIM	1	Rim	Rim	Rim	Rim	Ref. 2
7	#SCREW	1	Screw	Vis	Schraube	Tornillo	Ref. 2
8	3523689M1	1	Bulb 12v.55w	Lampe	Lampe	Lámpara	
9	6194002M91	1	Light Unit Without Bulb	Catadioptr	Rückstrahler	Re•ector	
10	6194003M91	1	Kit - Bracket + Hardwear (Worklamp)	Patte Fixation	Halter	Juego De Piezas	
11	#BRACKET	1	Bracket	Bracket	Bracket	Bracket	Ref. 10
12	#BOLT	1	Bolt	Boulon	Schraubbolzen	Perno	Ref. 10
13	#WASHER	1	Washer	Rondelle	Unterlegscheibe	Arandela	Ref. 10
14	#NUT	1	Nut	Ecrou	Mutter	Tuerca	Ref. 10
15	#BOLT	1	Bolt	Boulon	Schraubbolzen	Perno	Ref. 10
16	#NUT	1	Nut	Ecrou	Mutter	Tuerca	Ref. 10



C-46020-09.1-A





Item	Part No.	Qty.	English	French	German	Spanish	Remarks
1	T101052	1	Cover - B-Post (Black)	Couvercle	Deckel	Cubierta	
2	6101591M1	5	Fastener - "Scrivet"	Rivet	Niete	Remache	
3	6111549M91	1	Panel- Heater Control	Ensemble Commutat.	Schalter Kpl.	Conmutador, Conj.	
4	3522735M4	4	Screw M3 .5 X 20	Vis Autotaraud	Schneidschraube	Tornillo	
5	6101552M1	1	Grommet-Split	Passe-Fil	Tülle	Pasa Cable	
6	6101699M1	1	Seal-Foam-Console-Rh	Joint	Dichtung	Junta	
7	6101694M1	2	Seal-Foam-Console-Rh	Joint	Dichtung	Junta	
8	6101769M1	2	Seal-Foam H/Brake H/Throttlele	Joint	Dichtung	Junta	
9	6101695M1	1	Seal-Foam-Console-Rh	Joint	Dichtung	Junta	
10	6101698M1	1	Seal-Foam-Console-Rh	Joint	Dichtung	Junta	
11	6101697M1	1	Seal-Foam-Console-Rh	Joint	Dichtung	Junta	
12	6101696M1	1	Seal-Foam-Console-Rh	Joint	Dichtung	Junta	
13	6101501M1	1	Filter	Filtre	Filter	Filtro	
14	T101050	1	Moulding - Rear Assy (Black)	Moulure	Pressling	Bordon	
15	T101051	1	Moulding Rear	Moulding Rear	Moulding Rear	Moulding Rear	
16	6101499M1	6	Nozzle-Round-Heater/Air Con N	Diffuseur	Luftduse	Difusor	
17	339666X1	4	Bolt M6-20 Z5f	Boulon M6 X 20	Maschschraube Metr M	Tornillo	
18	339804X1	2	Bolt, Hex, - M6 X 25	Goupille	Maschschrb Metr - M6	Tornillo	
19	3516109M1	6	Washer Fender Spacer	Rondelle	Scheibe	Arandela	
20	6101636M1	1	Seal-Foam-Rear	Joint	Dichtung	Junta	

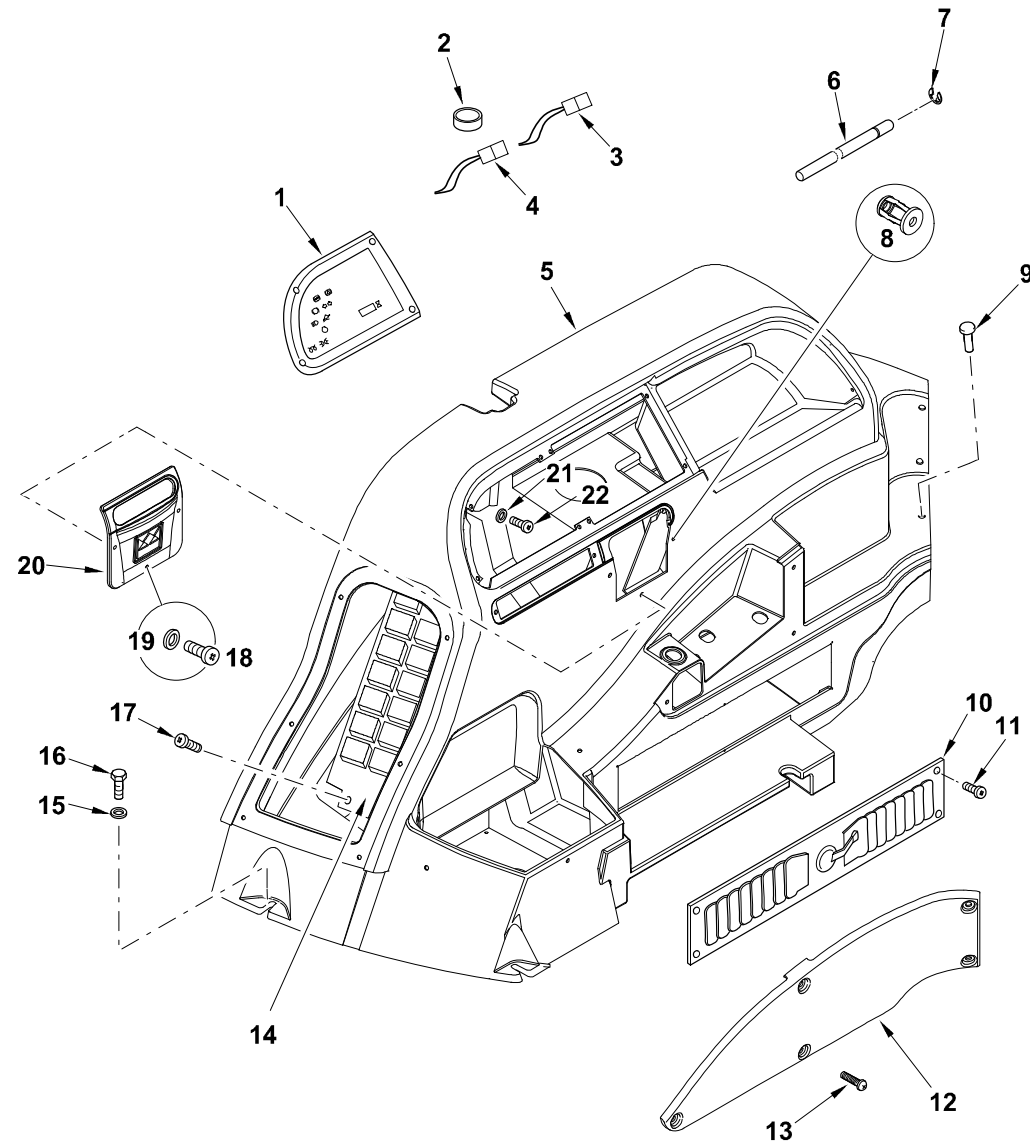


THIS PAGE INTENTIONALLY LEFT BLANK



Item	Part No.	Qty.	English	French	German	Spanish	Remarks
1	T101048	1	Console Assy LH (Black)	Console	Konsole	Consola	
2	T101049	1	Console LH	Console LH	Console LH	Console LH	
3	6101503M91	1	Ashtray-Wall Mounted	Cendrier	Aschenbecher	Cenicero	
4	6101591M1	3	Fastener - "Scrivet"	Rivet	Niete	Remache	
5	1440922X1	1	Bolt M6-60 (Hammer)	Goupille	Bolzen M6 X 60	Tornillo	
6	3516109M1	1	Washer Fender Spacer	Rondelle	Scheibe	Arandela	
7	339262X1	2	Bolt M6-30 Z5s	Boulon - M6 X 30	Schraube - M6 X 30	Perno	
8	3516109M1	2	Washer Fender Spacer	Rondelle	Scheibe	Arandela	
9	339804X1	1	Bolt, Hex, - M6 X 25	Goupille	Maschschrb Metr - M6	Tornillo	
10	3516109M1	1	Washer Fender Spacer	Rondelle	Scheibe	Arandela	
11	6108072M1	2	Grommet-Blind	Passe-Fil	Gummituelle	Pasa Cable	
12	6108074M1	4	Fastener=-Fir Tree	Attache	Halteklammer	Enganche	

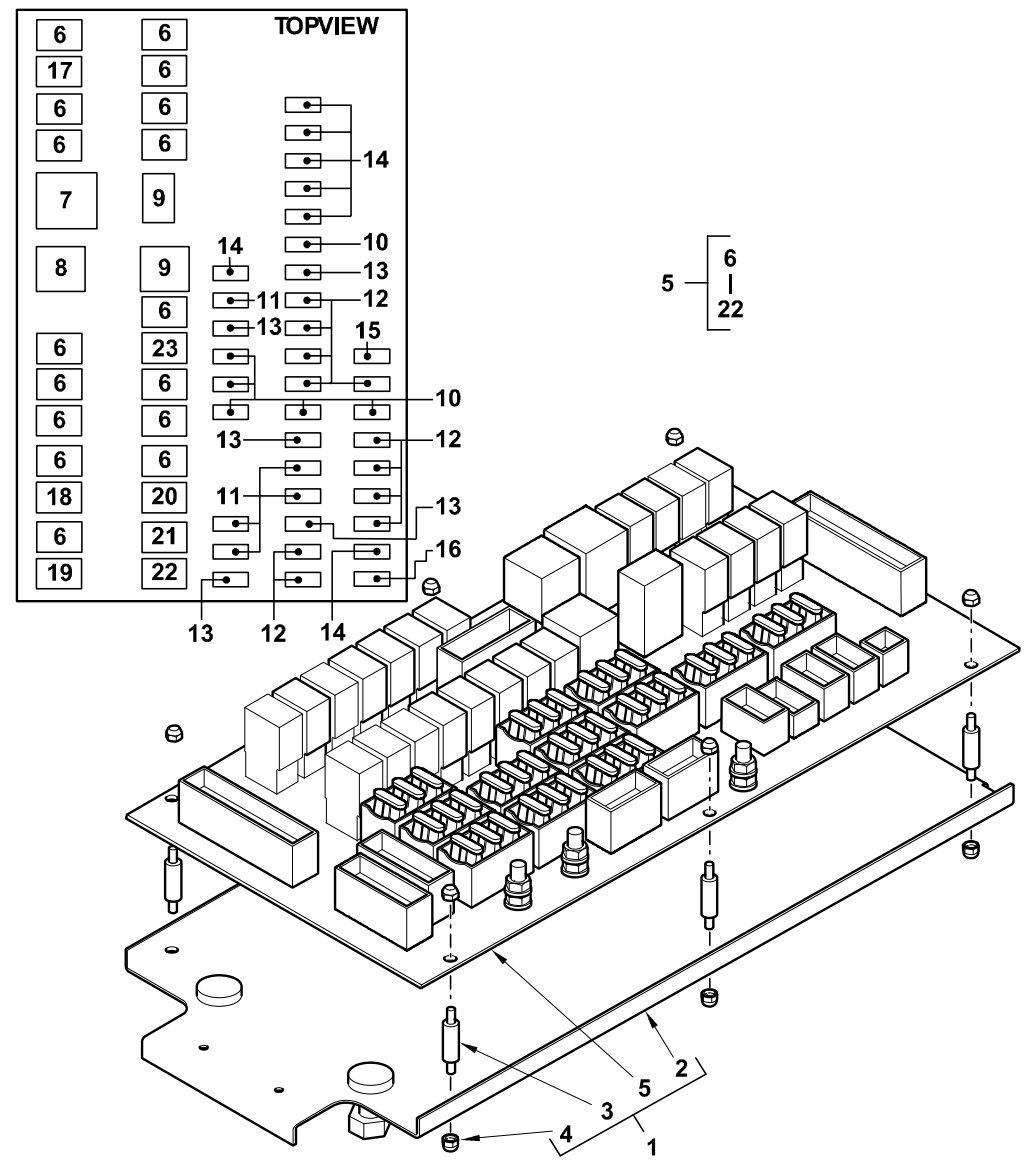
C-46020-11.1-A



Item	Part No.	Qty.	English	French	German	Spanish	Remarks
1	T101060	1	Instrument Pack - RH Console - Black	Groupe D'instr. Bord	Instrumentensatz	Grupo Instrs. Abordo	
2	6102479M1	1	Bung-Harness Retaining	Passe-Fil	Tülle	Pasa Cable	
3	6110158M92	1	Harness - Ignition	Faisceau	Beschirrung	Haz, Conj.	
4	6102229M92	1	Harness-Switchpack Accessory	Ensemble De Faisceau	Kabelstrang Kpl.	Haz, Conj.	
5	T101055	1	Console RH	Console RH	Console RH	Console RH	
6	T101168	1	Rod - Retaining	Tringle	Stange	Varilla	
7	3000115X1	1	Clip-Spring	Segment D'Arrêt	Sicherungsring	Circlip	
8	6114185M1	9	M5 Jack Nut	Ecrou Special - M5	Spezialmutter - M5	Tuerca Especial - M5	
9	6101591M1	3	Fastener - "Scrivet"	Rivet	Niete	Remache	
10	6101500M2	1	Louvre-Rh Side Console	Diffuseur	Luftdüse	Rejilla	
11	3522735M4	6	Screw M3 .5 X 20	Vis Autotaraud	Schneidschraube	Tornillo	
12	T101053	1	Cover - Handbrake (Black)	Couvercle	Deckel	Cubierta	
13	6101591M1	5	Fastener - "Scrivet"	Rivet	Niete	Remache	
14	6108707M93	1	Board-Relay/Fuse Assy	Tableau Fusible/Relais	Sicherung / Relaiskarte	Tablero Fusibles/Reles	
15	3516109M1	2	Washer Fender Spacer	Rondelle	Scheibe	Arandela	
16	339804X1	2	Bolt, Hex, - M6 X 25	Goupille	Maschschrb Metr - M6	Tornillo	
17	1472524M2	2	Screw 10-0.62 Ncb1 Pan	Vis	Schraube	Tornillo	
18	6110701M1	3	Screw M5 X 25 Lg - Pan Head	Vis	Schraube	Tornillo	
19	3512553M1	3	Washer Large M5	Rondelle - M5	Scheibe - M5	Arandela	
20	T101056	1	Cover - Handthrottle (Black)	Couvercle	Deckel	Cubierta	
21	391038X1	1	Washer M6 - Large Zinc Hardened	Rondelle	Scheibe	Arandela	
22	339560X1	1	Bolt - M6 X 16mm (Hex.)	Boulon M6 X 16	Maschschraube - M6	Tornillo	



C-46020-12.1-B



Item	Part No.	Qty.	English	French	German	Spanish	Remarks
1	6108707M93	1	Board-Relay/Fuse Assy	Tableau Fusible/Relais	Sicherung / Relaiskarte	Tablero Fusibles/Reles	
2	#PLATE	1	Plate	Plaque	Platte	Plato	Ref.1
3	6102558M1	8	Pillar Nylon	Support De Tableau	Armaturenbrethalter	Soporte De Panel	
4	3009074X1	16	Nut Nyloc M4	Ecrou	Mutter	Tuerca De Retención	
5	#FUSE/RELAY BOARD	1	Fuse/Relay Board	Fuse/Relay Board	Fuse/Relay Board	Fuse/Relay Board	Ref.1
6	6102490M1	16	Relay-Micro	Relais	Relais	Relé	Micro
7	6108737M1	1	Flasher Unit Relay 12v	Relais Clignot.	Blinkgeber	Rele	Flasher Unit
8	6102648M1	1	Relay-Hazard	Relais	Relais	Relé	Hazard
9	6102496M1	2	Relay-Mini	Relais	Relais	Relé	Mini
10	6108756M1	6	Ato Automotive Fuse 3a 32vdc	Fusible	Sicherung	Fusible	
11	6108757M1	6	Ato Automotive Fuse 5a 32vdc	Fusible - 5a	Sicherung - 5a	Fusible	
12	6108754M1	11	Ato Automotive Fuse 7.5a 32vdc	Fusible	Sicherung	Fusible	
13	3523568M1	6	Fuse, Standard - 10 Amp., Red	Fusible	Sicherung	Fusible	
14	3523569M1	7	Fuse, Standard - 15 Amp., Blue	Fusible	Sicherung	Fusible	
15	3523570M1	1	Fuse, Standard - 20 Amp., Yellow	Fusible	Sicherung	Fusible	
16	3523571M1	1	Fuse, Standard - 25 Amp., Clear	Fusible	Sicherung, 25a	Fusible	
17	#RELAY	1	Relay	Relay	Relay	Relay	Hose Burst
18	#RELAY	1	Relay	Relay	Relay	Relay	Loader Q/Attach
19	#RELAY	1	Relay	Relay	Relay	Relay	Digger Q/Attach
20	#RELAY	1	Relay	Relay	Relay	Relay	4wd
21	#RELAY	1	Relay	Relay	Relay	Relay	Ride Control
22	#RELAY	1	Relay	Relay	Relay	Relay	Hose Burst
23	6114405M1	1	Relay - Micro Diode	Relais	Relais	Rele	



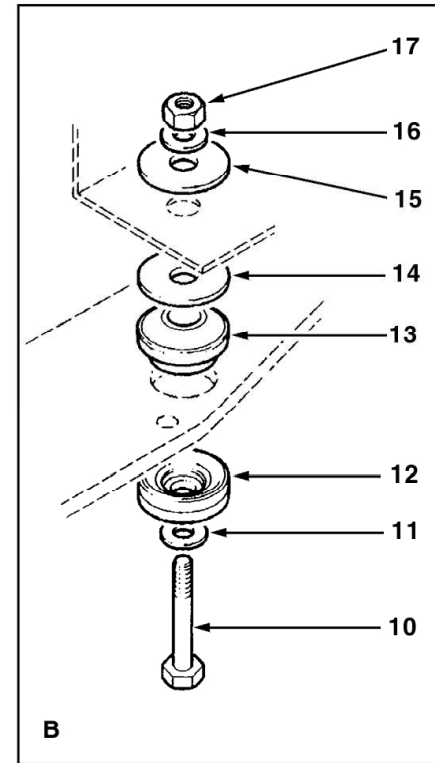
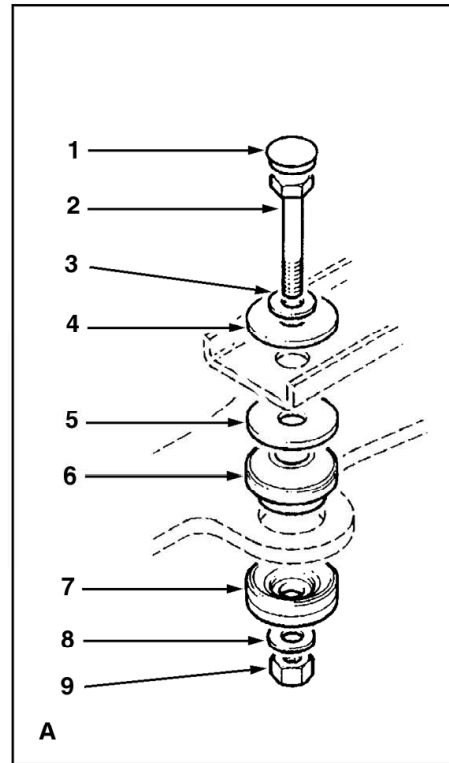
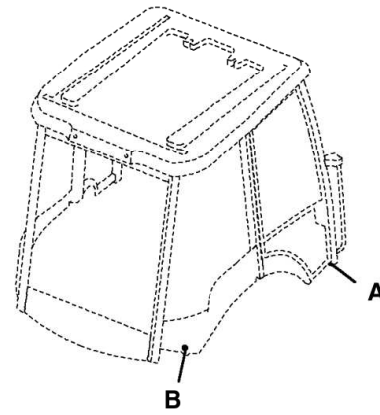
**Not Serviced**



THIS PAGE INTENTIONALLY LEFT BLANK

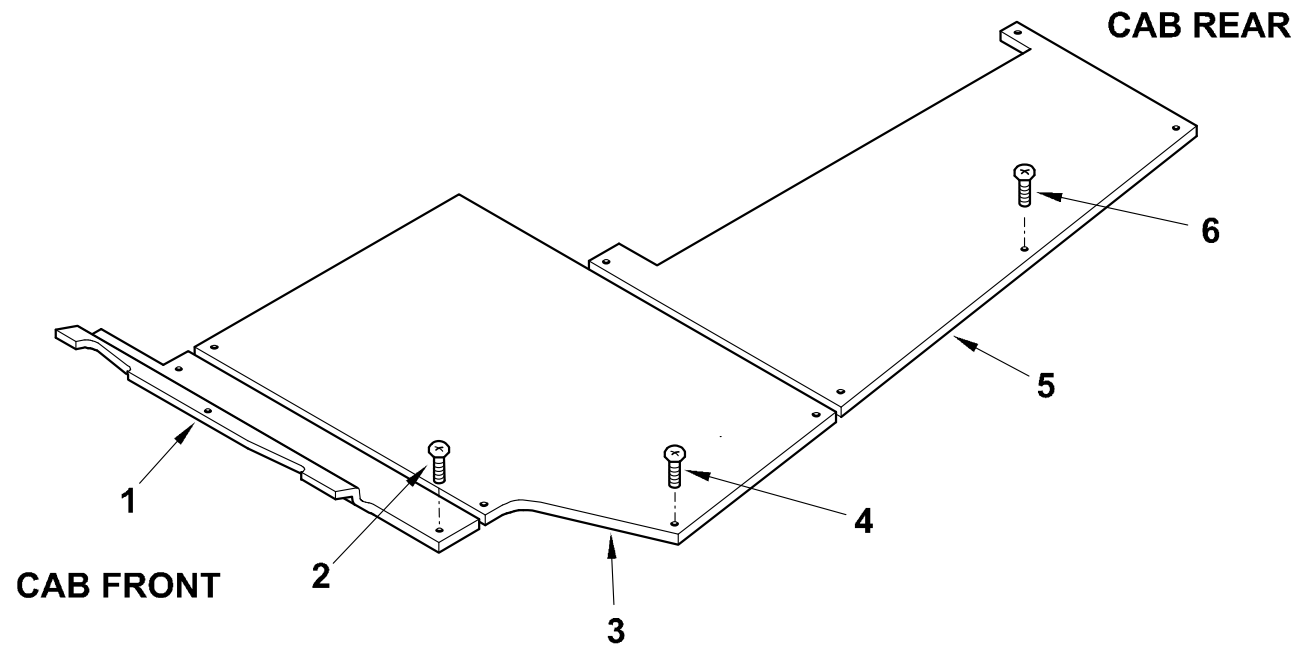


C-47011-01.1-A



Item	Part No.	Qty.	English	French	German	Spanish	Remarks
1	3521671M1	2	Plug Dome	Cache	Abdeckung	Tapa	
2	391332X1	2	Bolt M20-100 Z 8.8	Goupille	Bolzen	Tornillo	
3	385365X1	4	Washer Hardened M20	Rondelle	Scheibe	Arandela	
4	3521648M3	2	Washer Cab	Rondelle	Scheibe	Arandela	
5	6101687M1	2	Washer-Cab Mount	Rondelle	Scheibe	Arandela	
6	3507499M1	2	Cab Mount Upper	Bloc Isolant	Dämpfungsblock	Bloque Aislante	
7	3507500M1	2	Cab Mount Lower	Tampon Caoutchouc	Gummipuffer	Bloque Aislante	
8	385365X1	2	Washer Hardened M20	Rondelle	Scheibe	Arandela	
9	339035X1	2	Nut Hex M20	Ecrou	Mutter	Tuerca	
10	391332X1	2	Bolt M20-100 Z 8.8	Goupille	Bolzen	Tornillo	
11	385365X1	2	Washer Hardened M20	Rondelle	Scheibe	Arandela	
12	3507500M1	2	Cab Mount Lower	Tampon Caoutchouc	Gummipuffer	Bloque Aislante	
13	3507499M1	2	Cab Mount Upper	Bloc Isolant	Dämpfungsblock	Bloque Aislante	
14	6101687M1	2	Washer-Cab Mount	Rondelle	Scheibe	Arandela	
15	3521648M3	2	Washer Cab	Rondelle	Scheibe	Arandela	
16	385365X1	2	Washer Hardened M20	Rondelle	Scheibe	Arandela	
17	339035X1	2	Nut Hex M20	Ecrou	Mutter	Tuerca	

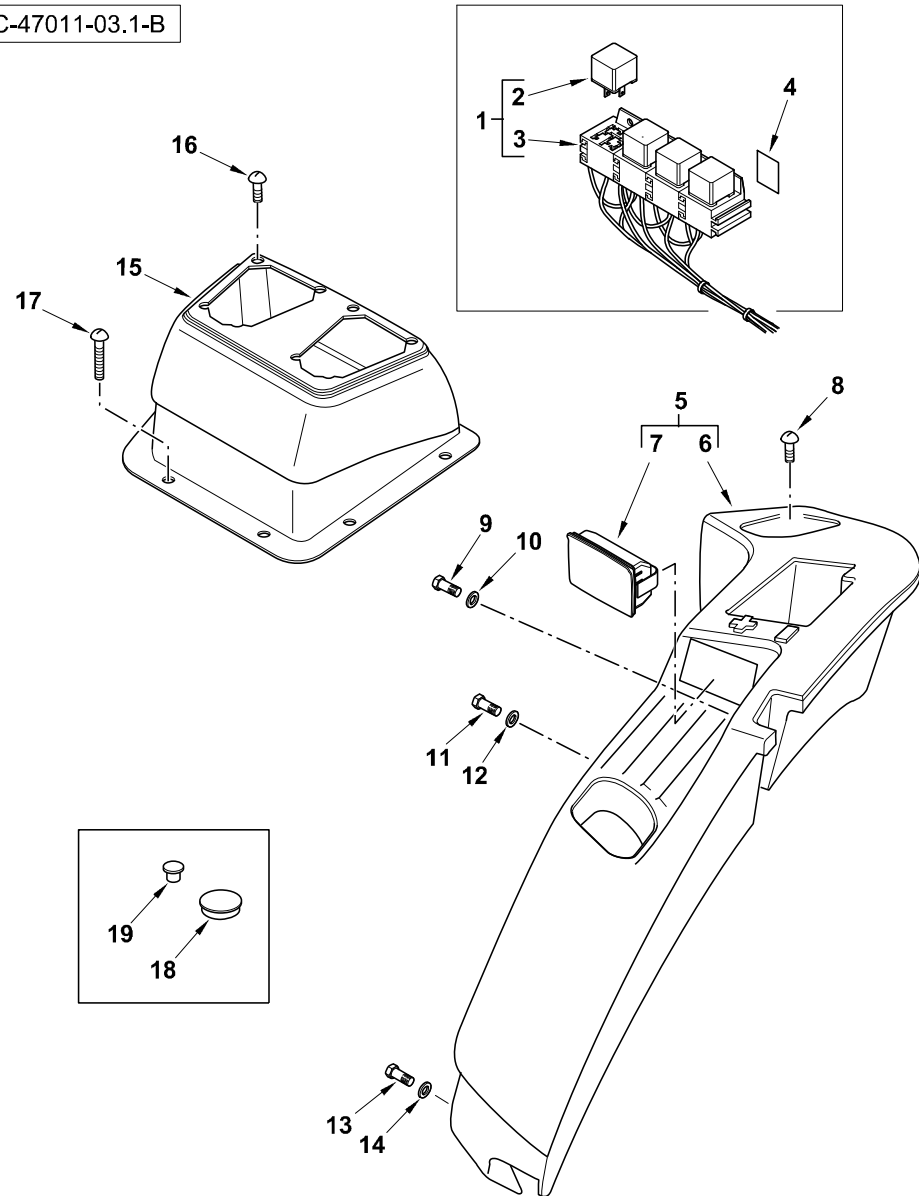
C-47011-02.1-B



Item	Part No.	Qty.	English	French	German	Spanish	Remarks
1	#PLATE	1	Plate	Plaque	Platte	Plato	[Cab Frame]
2	339124X1	5	Bolt M8-16 Z5f	Goupille	Maschschrb Metr - M8	Tornillo	
3	6101043M2	1	Floorplate-Centre	Plaque	Platte	Placa	
4	339124X1	7	Bolt M8-16 Z5f	Goupille	Maschschrb Metr - M8	Tornillo	
5	6101023M92	1	Floorplate-Rear-W/Assy	Ensemble De Plaque	Platte Kpl.	Placa, Conj.	
6	339124X1	5	Bolt M8-16 Z5f	Goupille	Maschschrb Metr - M8	Tornillo	



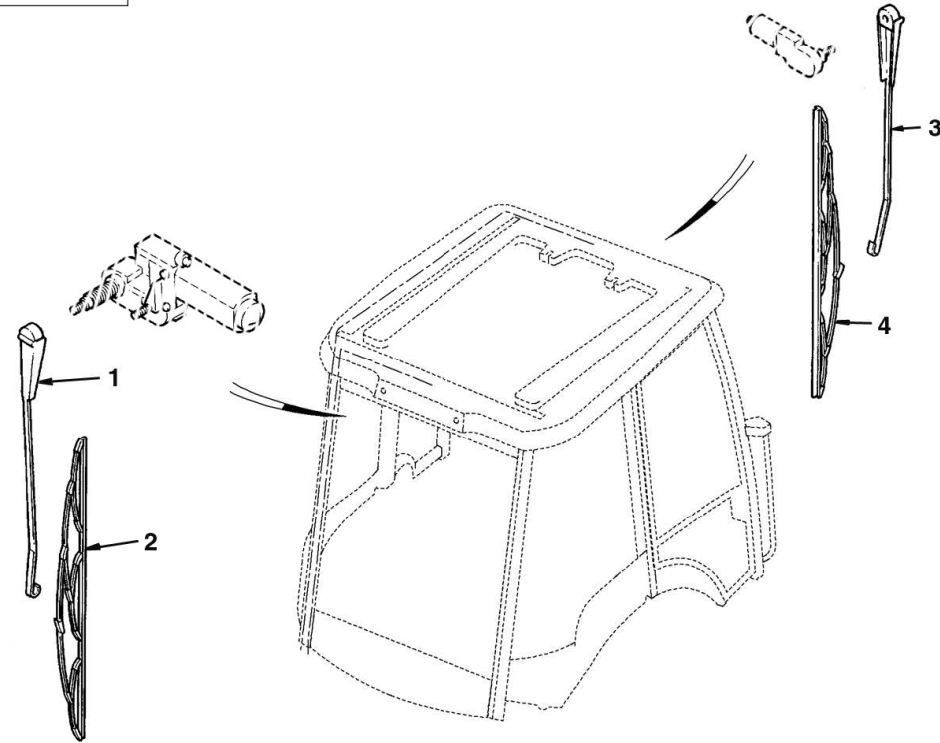
C-47011-03.1-B



Item	Part No.	Qty.	English	French	German	Spanish	Remarks
1	6114119M92	1	Front Console Harness P/Shift Apc120	Faisceau	Beschirrung	Arnes	
2	6110473M1	4	Relay - Mini	Relais	Relais	Relé	
3	#HARNESSES	1	Harness	Harness	Harness	Harness	Ref. 1
4	6110700M91	4	Velco Strip 25x25	Bande D'Étanchéité	Streifen - Velcro	Banda Estanqueidad	
5	6101811M91	1	Side Console Assy LH (Grey)	Console	Konsole	Consola	
6	#CONSOLE	1	Console	Console	Console	Console	Ref. 5
7	6101503M91	1	Ashtray-Wall Mounted	Cendrier	Aschenbecher	Cenicero	
8	6101591M1	3	Fastener - "Scrivet"	Rivet	Niete	Remache	
9	1440922X1	1	Bolt M6-60 (Hammer)	Goupille	Bolzen M6 X 60	Tornillo	
10	3516109M1	1	Washer Fender Spacer	Rondelle	Scheibe	Arandela	
11	339262X1	2	Bolt M6-30 Z5s	Boulon - M6 X 30	Schraube - M6 X 30	Perno	
12	3516109M1	2	Washer Fender Spacer	Rondelle	Scheibe	Arandela	
13	339804X1	1	Bolt, Hex, - M6 X 25	Goupille	Maschschrb Metr - M6	Tornillo	
14	3516109M1	1	Washer Fender Spacer	Rondelle	Scheibe	Arandela	
15	6099523M2	1	Moulding - Digger Tower Control (Grey)	Console	Konsole	Consola	
16	3521303M3	8	Fastener, Plastic - Gear Lever Gaiter	Agrafe	Halteklammer	Enganche	
17	3512552M1	6	Screw Pan Hd.M5 X 12	Vis	Schraube	Tornillo	
18	6108072M1	2	Grommet-Blind	Passe-Fil	Gummituelle	Pasa Cable	
19	6108074M1	4	Fastener=-Fir Tree	Attache	Halteklammer	Enganche	



C-47011-04.1-A

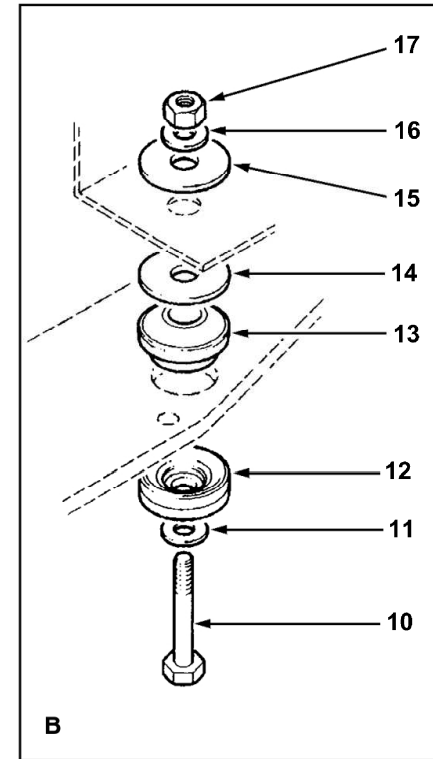
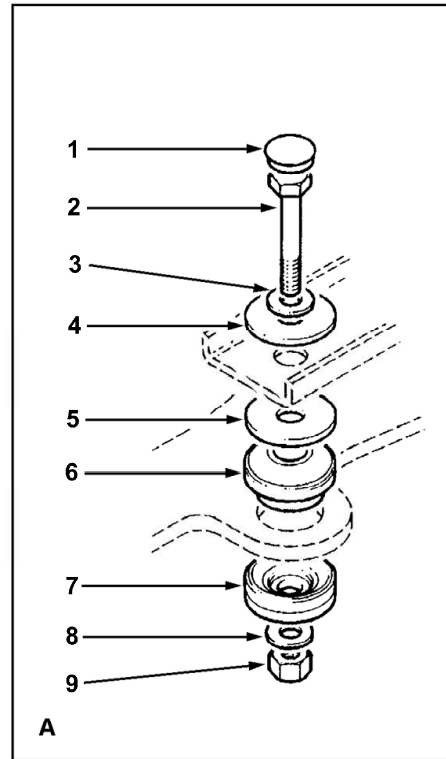
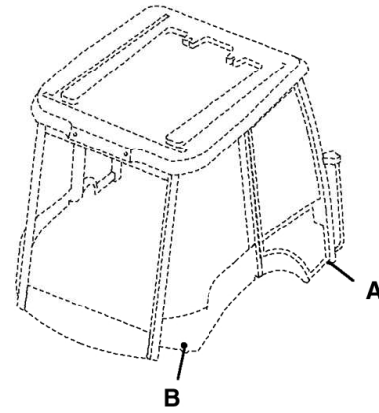




<b>Item</b>	<b>Part No.</b>	<b>Qty.</b>	<b>English</b>	<b>French</b>	<b>German</b>	<b>Spanish</b>	<b>Remarks</b>
1	1473848M92	1	Arm Wiper Rear	Porte Balai	Wischerarm	Brazo Limpiaparabrisas	
2	1473847M91	1	Blade Wiper Fr/Rr	Balai D'Essuie-Glace	Wischerblatt	Escobilla Limpiaparabr.	
3	3512477M91	1	Arm Wiper Front	Porte Balai	Wischerarm	Brazo Limpiaparabrisas	
4	1473847M91	1	Blade Wiper Fr/Rr	Balai D'Essuie-Glace	Wischerblatt	Escobilla Limpiaparabr.	

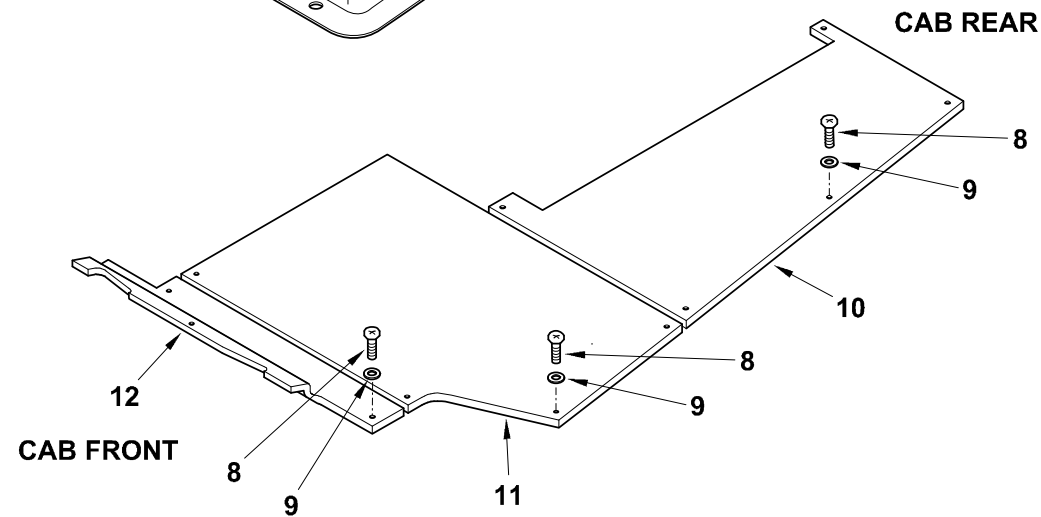
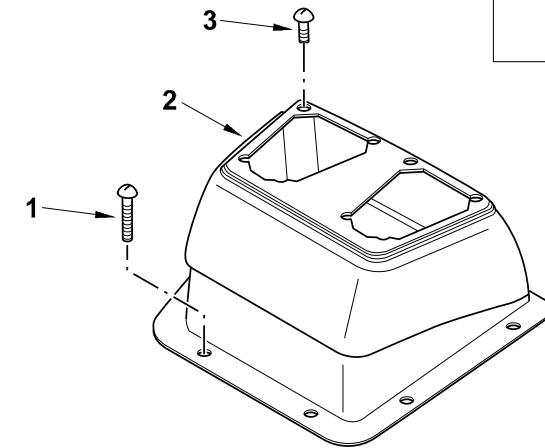
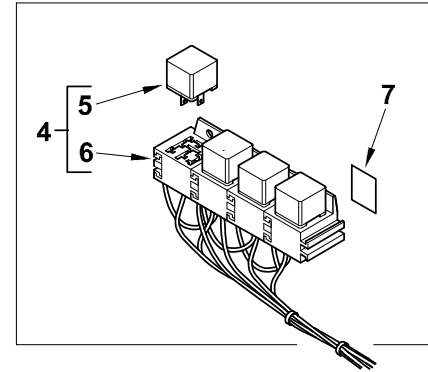


C-47027-01.1-A



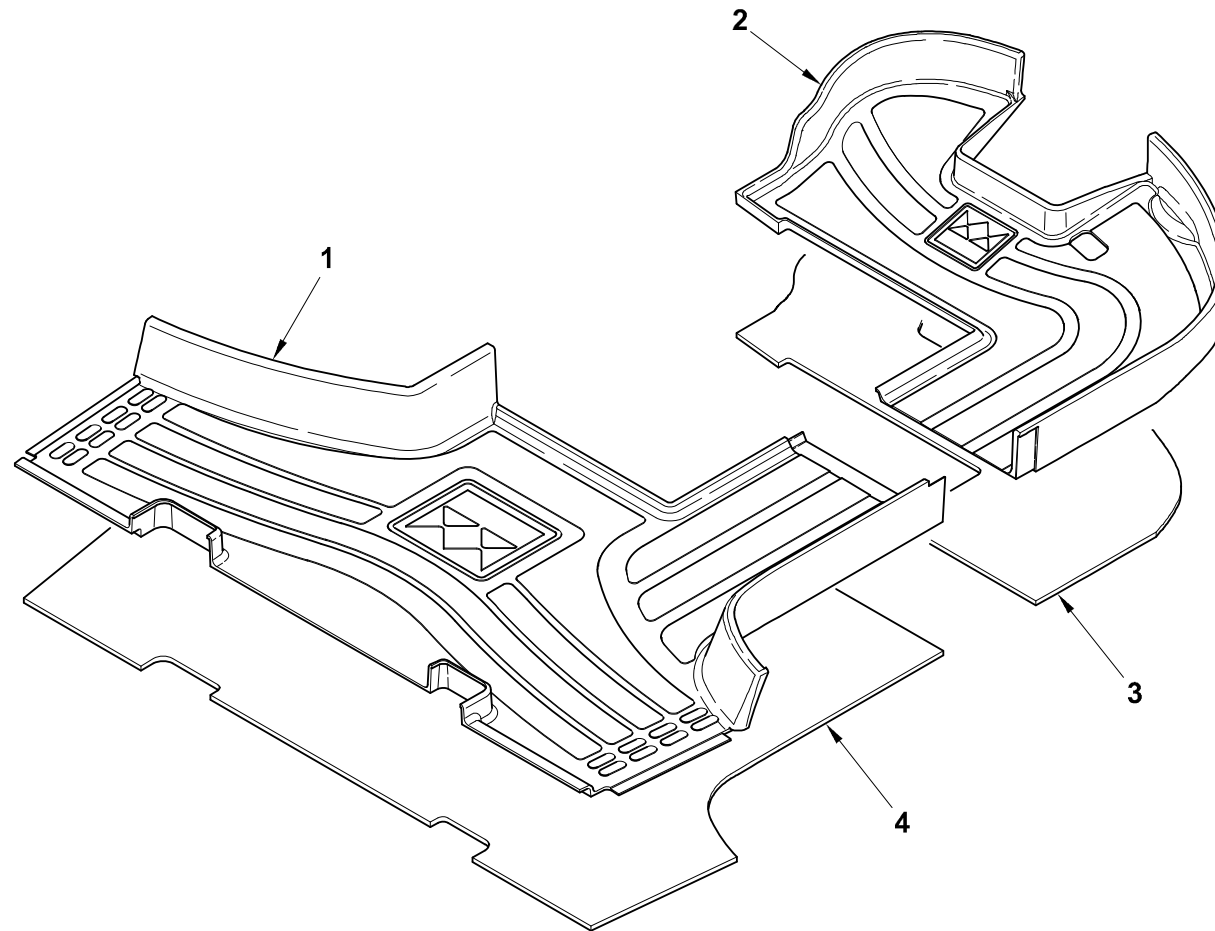
Item	Part No.	Qty.	English	French	German	Spanish	Remarks
1	3521671M1	2	Plug Dome	Cache	Abdeckung	Tapa	
2	391332X1	2	Bolt M20-100 Z 8.8	Goupille	Bolzen	Tornillo	
3	385365X1	4	Washer Hardened M20	Rondelle	Scheibe	Arandela	
4	3521648M3	2	Washer Cab	Rondelle	Scheibe	Arandela	
5	6101687M1	2	Washer-Cab Mount	Rondelle	Scheibe	Arandela	
6	3507499M1	2	Cab Mount Upper	Bloc Isolant	Dämpfungsblock	Bloque Aislante	
7	3507500M1	2	Cab Mount Lower	Tampon Caoutchouc	Gummipuffer	Bloque Aislante	
8	385365X1	2	Washer Hardened M20	Rondelle	Scheibe	Arandela	
9	339035X1	2	Nut Hex M20	Ecrou	Mutter	Tuerca	
10	391332X1	2	Bolt M20-100 Z 8.8	Goupille	Bolzen	Tornillo	
11	385365X1	2	Washer Hardened M20	Rondelle	Scheibe	Arandela	
12	3507500M1	2	Cab Mount Lower	Tampon Caoutchouc	Gummipuffer	Bloque Aislante	
13	3507499M1	2	Cab Mount Upper	Bloc Isolant	Dämpfungsblock	Bloque Aislante	
14	6101687M1	2	Washer-Cab Mount	Rondelle	Scheibe	Arandela	
15	3521648M3	2	Washer Cab	Rondelle	Scheibe	Arandela	
16	385365X1	2	Washer Hardened M20	Rondelle	Scheibe	Arandela	
17	339035X1	2	Nut Hex M20	Ecrou	Mutter	Tuerca	

C-47027-02.1-A



Item	Part No.	Qty.	English	French	German	Spanish	Remarks
1	3512552M1	6	Screw Pan Hd.M5 X 12	Vis	Schraube	Tornillo	
2	T101122	1	Digger Tower - Cab (Black)	Console	Konsole	Consola	
3	3521303M3	8	Fastener, Plastic - Gear Lever Gaiter	Agrafe	Halteklammer	Enganche	
4	6114119M92	1	Front Console Harness P/Shift Apc120	Faisceau	Beschirrung	Arnes	
5	6110473M1	4	Relay - Mini	Relais	Relais	Relé	
6	#HARNESS	1	Harness	Harness	Harness	Harness	Ref. 1
7	6110700M91	4	Velco Strip 25x25	Bande D'Étanchéité	Streifen - Velcro	Banda Estanqueidad	
8	339124X1	14	Bolt M8-16 Z5f	Goupille	Maschschrb Metr - M8	Tornillo	
9	390972X1	14	Washer M8-17-1 Zwl	Rondelle M8	Scheibe - M8	Arandela	
10	6101023M92	1	Floorplate-Rear-W/Assy	Ensemble De Plaque	Platte Kpl.	Placa, Conj.	
11	6101043M2	1	Floorplate-Centre	Plaque	Platte	Placa	
12	#PLATE	1	Plate	Plaque	Platte	Plato	Cab Frame

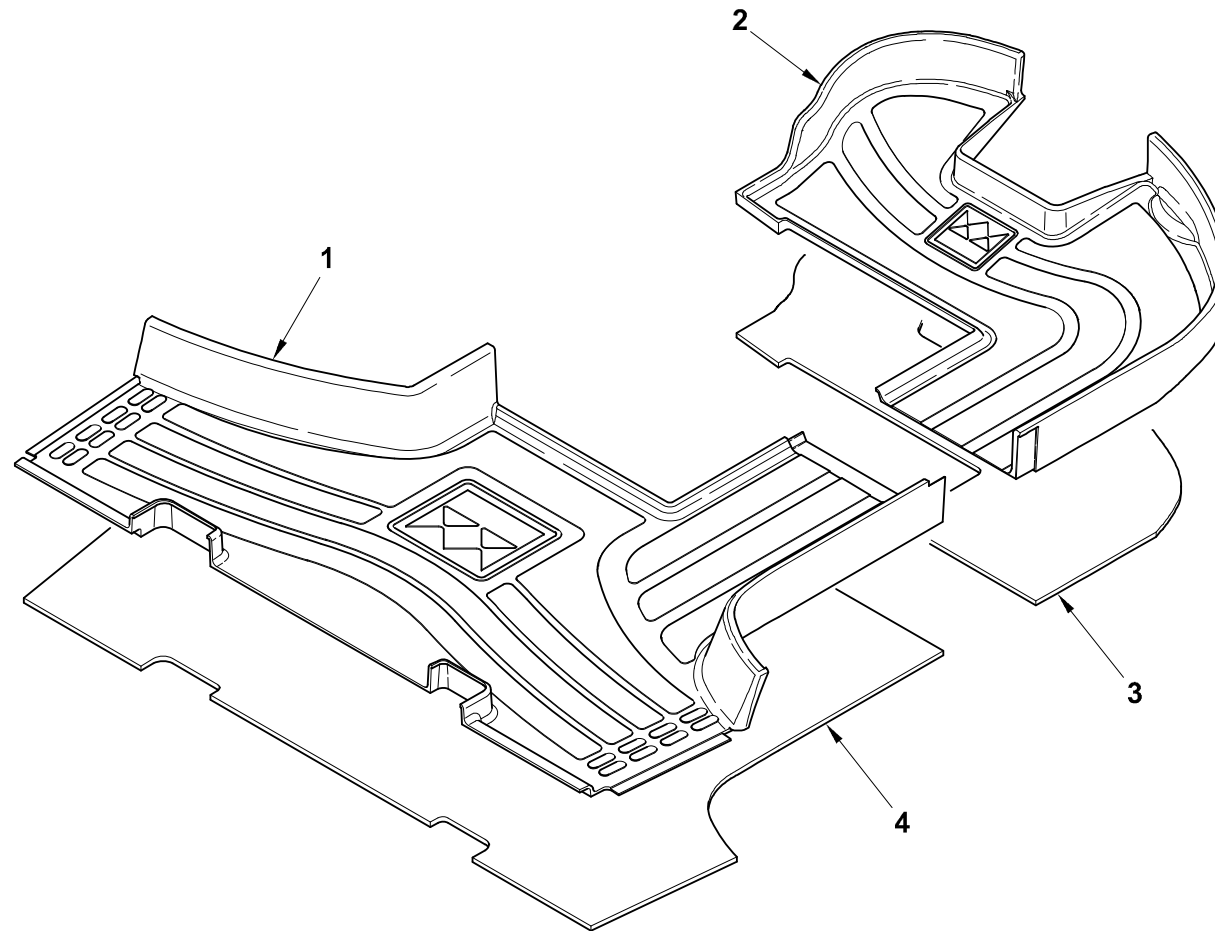
C-48003-01.1-A



<b>Item</b>	<b>Part No.</b>	<b>Qty.</b>	<b>English</b>	<b>French</b>	<b>German</b>	<b>Spanish</b>	<b>Remarks</b>
1	6112451M1	1	Mat - Front (Powershift)	Tapis	Matte	Tapete De Suelo	
2	6112453M1	1	Mat - Rear (With Pedal)	Tapis	Matte	Tapete De Suelo	
3	6110319M1	1	Underlay- Rear Cab Floor	Tapis	Matte	Tapete	
4	6110318M1	1	Underlay- Front Cab Floor	Tapis	Matte	Tapete	



C-48004-01.1-A

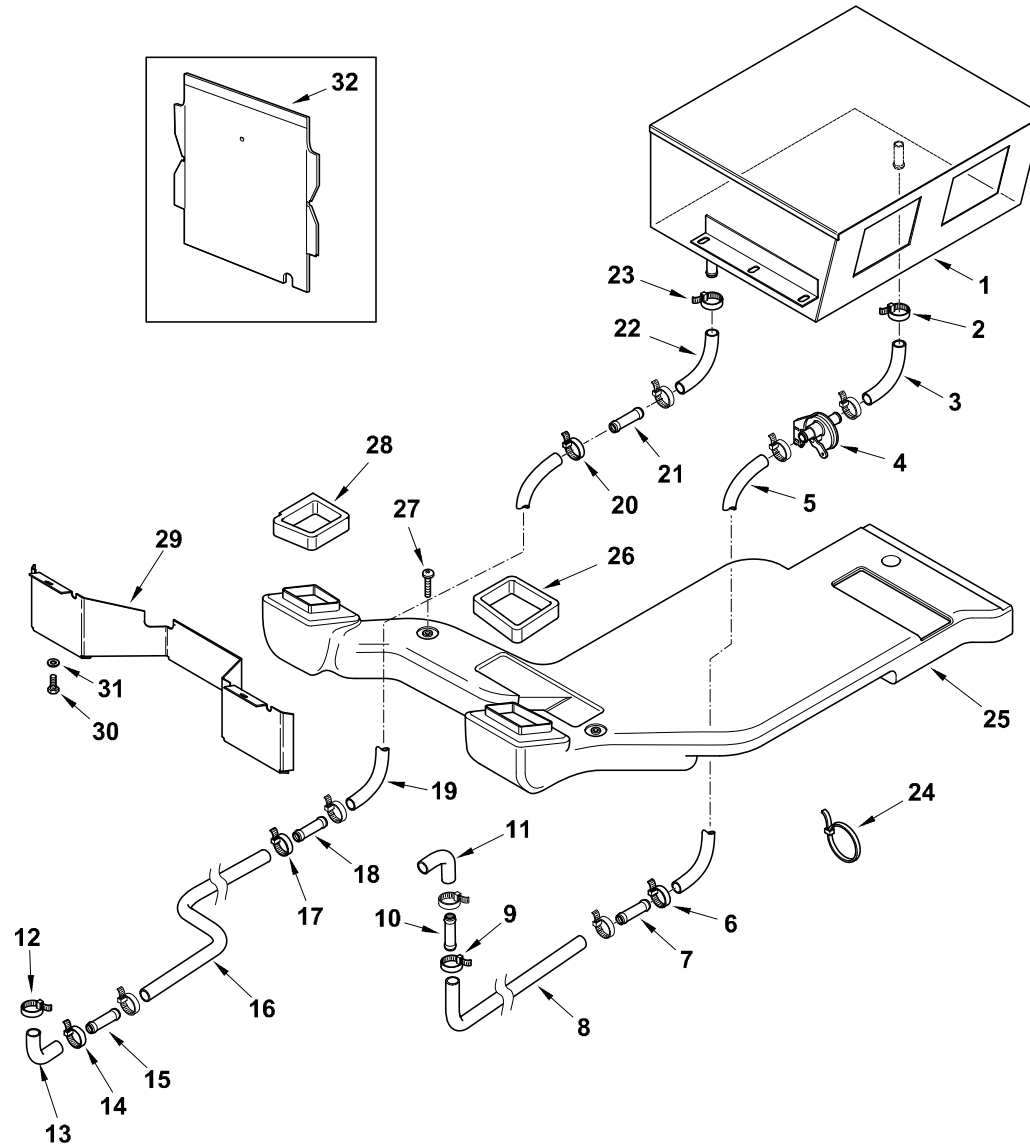




<b>Item</b>	<b>Part No.</b>	<b>Qty.</b>	<b>English</b>	<b>French</b>	<b>German</b>	<b>Spanish</b>	<b>Remarks</b>
1	6112451M1	1	Mat - Front (Powershift)	Tapis	Matte	Tapete De Suelo	
2	6112454M1	1	Mat - Rear (Without Pedal)	Tapis	Matte	Tapete De Suelo	
3	6110319M1	1	Underlay- Rear Cab Floor	Tapis	Matte	Tapete	
4	6110318M1	1	Underlay- Front Cab Floor	Tapis	Matte	Tapete	

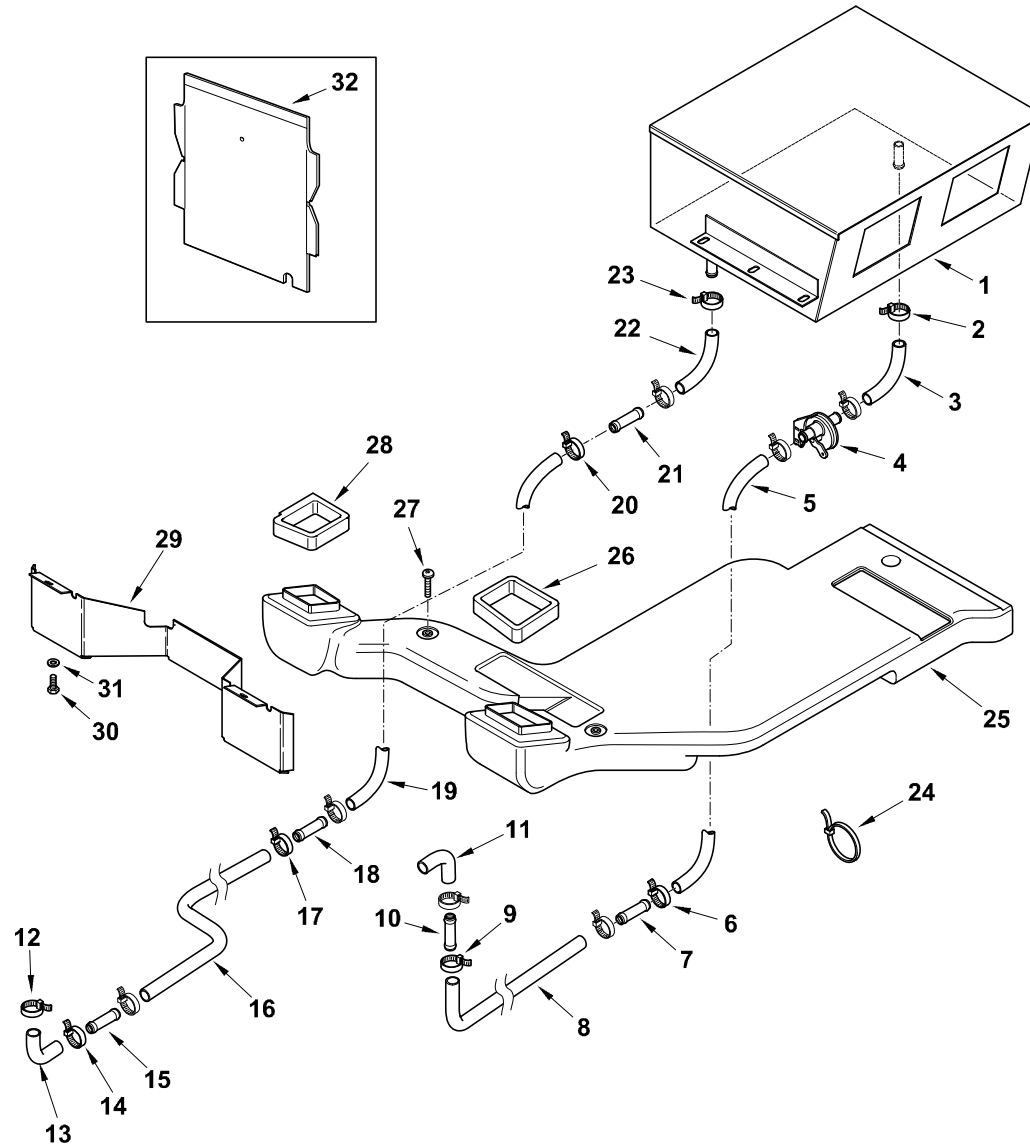


C-49010-01.1-B



Item	Part No.	Qty.	English	French	German	Spanish	Remarks
1	#UNIT, HEATER	1	Unit, Heater	Unit, Heater	Unit, Heater	Unit, Heater	49010c03.1 1
2	3517410M1	3	Clip Hose 16/25	Bride Pour Tutaux	Schlauchschele	Clip	
3	6107361M1	1	Elbow-Rubber	Coude En Caoutchouc	Gummikruemmer	Codo, 90°	
4	6106705M1	1	Water Valve, Heater	Distributeur	Steuerventil	Distribuidor	Ec05/073 Acc66c
4	6110874M1	1	Valve - Water Heater	Soupape	Ventil	Válvula	Ec05/073
5	6009515M1	1	Hose-Heater X 600nom	Flexible	Schlauch	Tubo Flexible	
6	3517410M1	2	Clip Hose 16/25	Bride Pour Tutaux	Schlauchschele	Clip	
7	3521772M1	1	Connector Tube 5/8	Connecteur	Steckverbindung	Conector	
8	6003690M1	1	Hose-Heater	Flexible	Schlauch	Tubo Flexible	
9	3517410M1	2	Clip Hose 16/25	Bride Pour Tutaux	Schlauchschele	Clip	
10	3521772M1	1	Connector Tube 5/8	Connecteur	Steckverbindung	Conector	
11	3521752M1	1	Elbow - Rubber	Coude	Winkelstuck	Codo, 90°	
12	3517410M1	1	Clip Hose 16/25	Bride Pour Tutaux	Schlauchschele	Clip	
13	6107361M1	1	Elbow-Rubber	Coude En Caoutchouc	Gummikruemmer	Codo, 90°	
14	3517410M1	2	Clip Hose 16/25	Bride Pour Tutaux	Schlauchschele	Clip	
15	3521772M1	1	Connector Tube 5/8	Connecteur	Steckverbindung	Conector	
16	6013369M1	1	Hose-Heater	Flexible	Schlauch	Tubo Flexible	
17	3517410M1	2	Clip Hose 16/25	Bride Pour Tutaux	Schlauchschele	Clip	
18	3521772M1	1	Connector Tube 5/8	Connecteur	Steckverbindung	Conector	
19	6110268M1	1	Hose-Heater X 250nom	Flexible	Schlauch	Tubo Flexible	
20	3517410M1	2	Clip Hose 16/25	Bride Pour Tutaux	Schlauchschele	Clip	
21	3521772M1	1	Connector Tube 5/8	Connecteur	Steckverbindung	Conector	
22	6107361M1	1	Elbow-Rubber	Coude En Caoutchouc	Gummikruemmer	Codo, 90°	
23	3517410M1	1	Clip Hose 16/25	Bride Pour Tutaux	Schlauchschele	Clip	
24	724497M1	5	Tie 380mm T120r	Attache Câble	Kabelbinder	Enlace De Cable	
25	6101717M93	1	Air Conditioning Duct Assy - Front	Chambre À Air	Luftleitkanal	Conducto	
26	6101634M1	1	Seal-Foam-Front-Lh	Joint	Dichtung	Junta	
27	3009537X1	2	Screw - Pan Head (M5 X 20)	Vis	Schraube	Tornillo	
28	6101635M1	1	Seal-Foam-Front-Rh	Joint	Dichtung	Junta	
29	6102371M3	1	Plate-Air Con De•ector	Dé•ector	Abweisblech	De•ector	March 2005

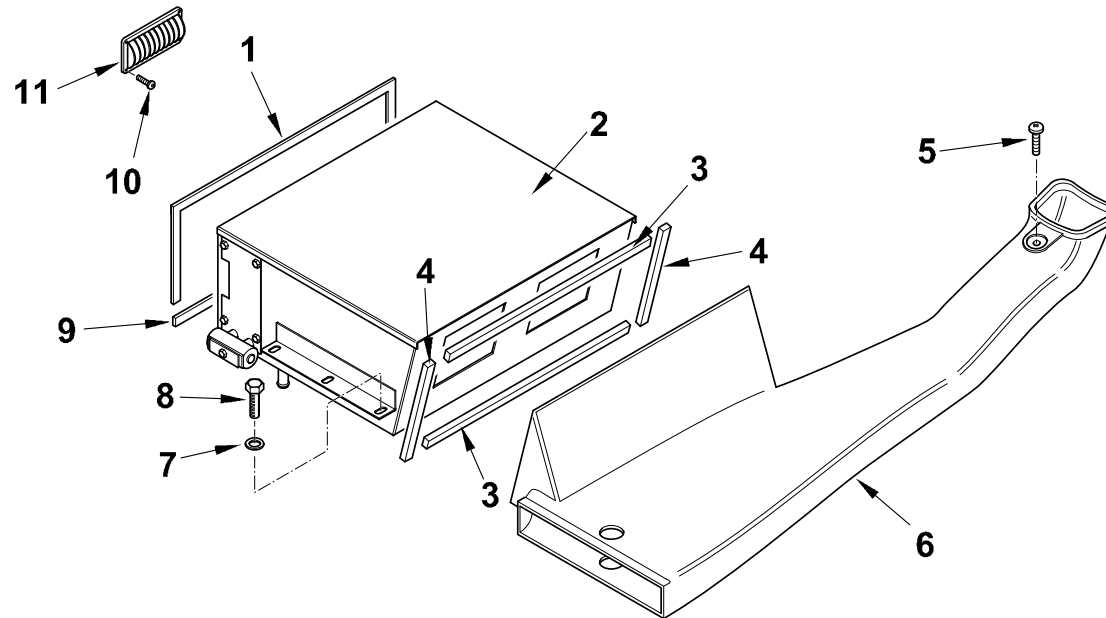
C-49010-01.1-B



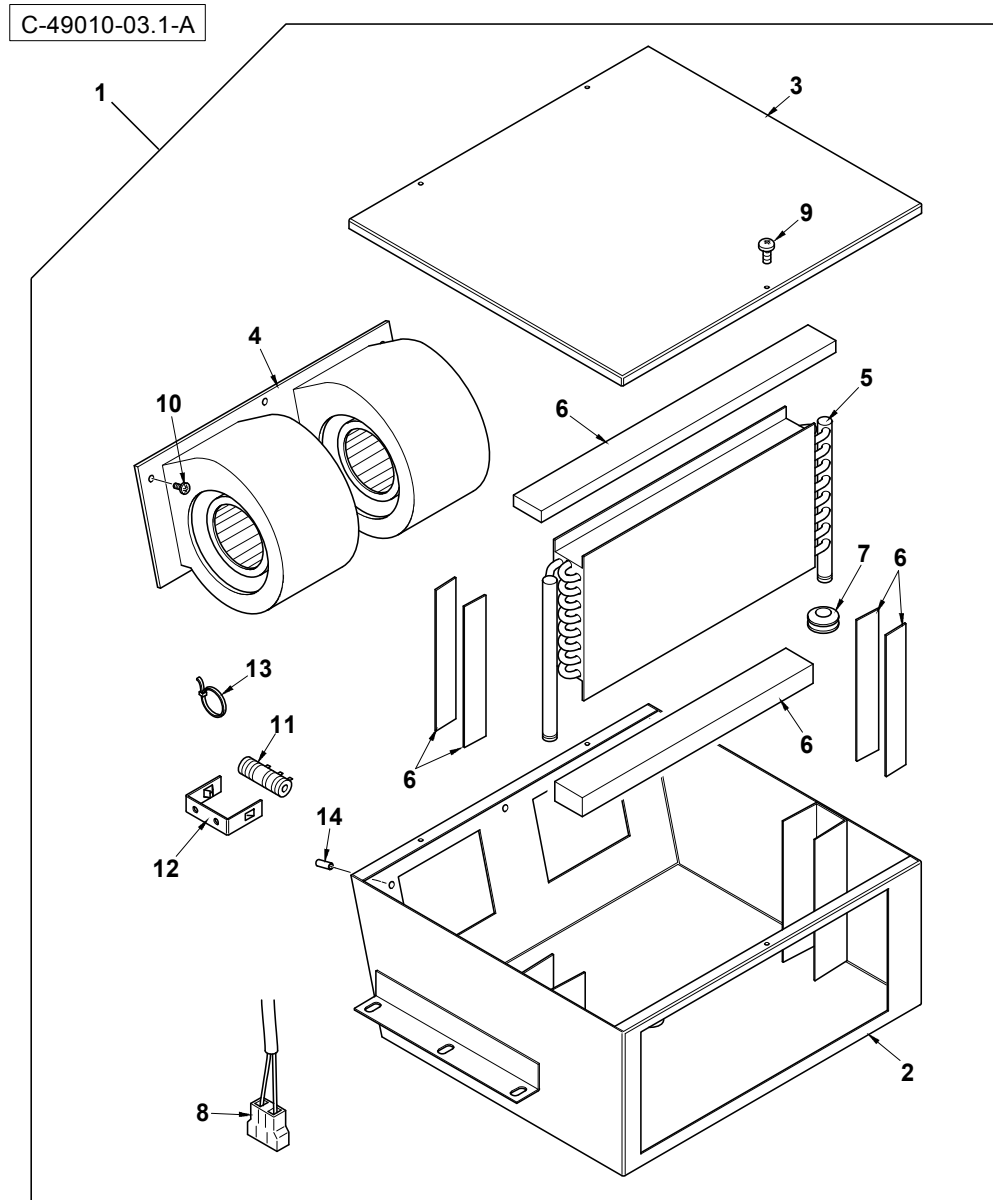
<b>Item</b>	<b>Part No.</b>	<b>Qty.</b>	<b>English</b>	<b>French</b>	<b>German</b>	<b>Spanish</b>	<b>Remarks</b>
30	339560X1	2	Bolt - M6 X 16mm (Hex.)	Boulon M6 X 16	Maschschraube - M6	Tornillo	March 2005
31	3019571X1	2	Washer, Large - M6, Hardened	Rondelle	Unterlegscheibe	Arandela	March 2005
32	6110179M91	1	Heat De•ector - Engine	Isolation	Schalldämmung	Aislante	



C-49010-02.1-B



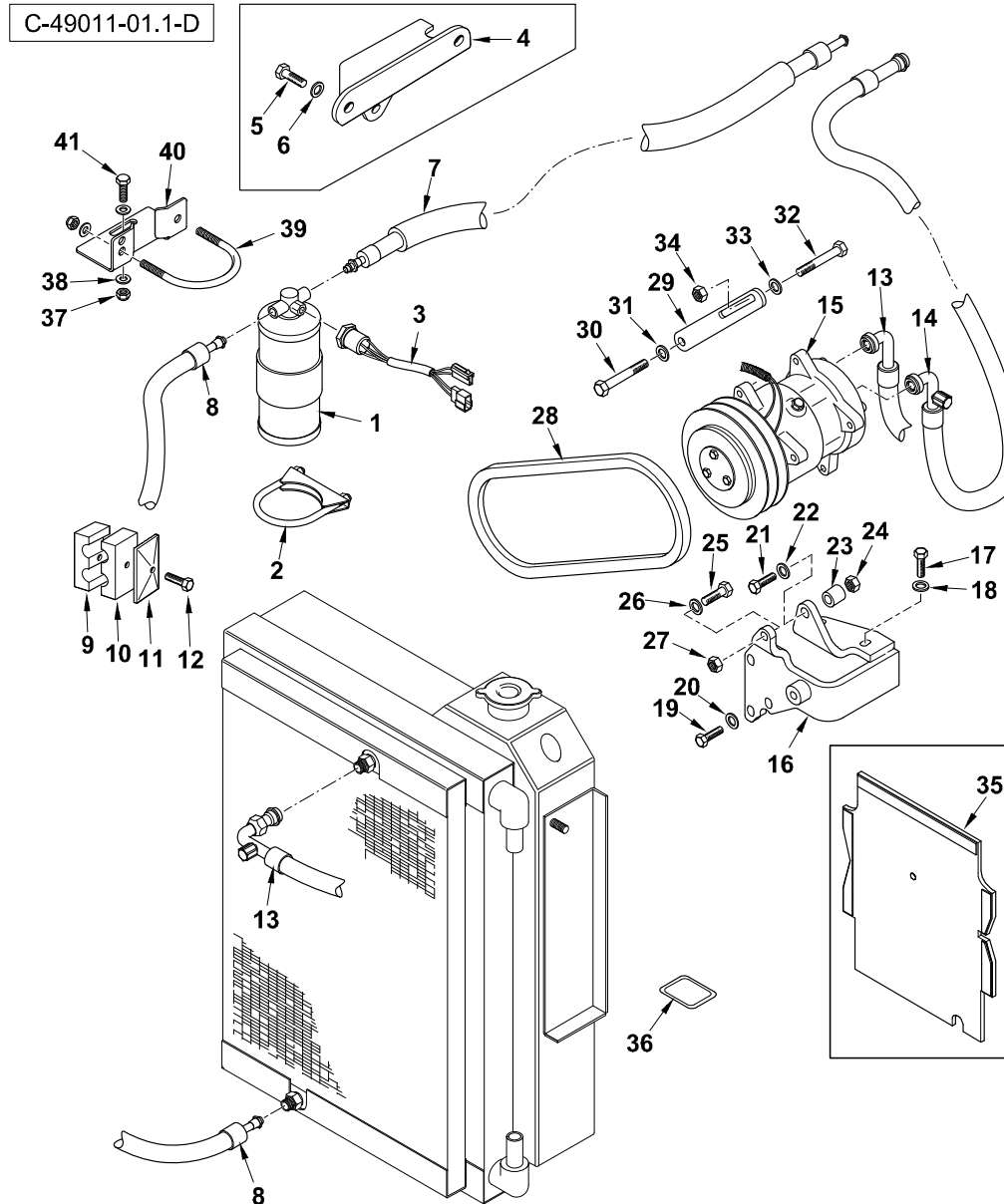
Item	Part No.	Qty.	English	French	German	Spanish	Remarks
1	6101692M1	1	Seal-Foam-Console-Rh	Joint	Dichtung	Junta	
2	#UNIT, HEATER	1	Unit, Heater	Unit, Heater	Unit, Heater	Unit, Heater	49010c03.1 1
3	6101632M1	2	Seal-Foam-Heater	Joint	Dichtung	Junta	
4	6101633M1	2	Seal-Foam-Heater	Joint	Dichtung	Junta	
5	3009537X1	1	Screw - Pan Head (M5 X 20)	Vis	Schraube	Tornillo	
6	6101718M91	1	Duct-Rear-Air Con Assy	Chambre À Air	Luftleitkanal	Cámara De Aire	
7	3019571X1	6	Washer, Large - M6, Hardened	Rondelle	Unterlegscheibe	Arandela	
8	339560X1	4	Bolt - M6 X 16mm (Hex.)	Boulon M6 X 16	Maschschraube - M6	Tornillo	
9	6101693M1	1	Seal-Foam-Console-Rh	Joint	Dichtung	Junta	
10	3522735M4	4	Screw M3 .5 X 20	Vis Autotaraud	Schneidschraube	Tornillo	
11	6106727M1	1	Louvre Heater & Aircon	Diffuseur	Luftdüse	Difusor	





Item	Part No.	Qty.	English	French	German	Spanish	Remarks
1	6112780M91	1	Heater	Chauffage	Heizung	Calentador	4910c01.1 1 49010c02.1 1 From H200 07 5530
1	6106700M91	1	Heater Assy.	Chauffage	Heizung	Calentador	49010c01.1 1 49010c02.1 1 Up To H200 07 5530
2	#BODY	1	Body	Body	Body	Body	Ref. 1
3	#COVER	1	Cover	Cover	Cover	Cover	Ref. 1
4	6195170M91	1	Blower Assembly	Souf•erie	Gebiase	Soplador	From H200 07 5530
4	6193046M91	1	Blower Motor - Heater	Souf•erie	Gebälse	Soplador	Up To H200 07 5530
5	6193058M91	1	Coil-Heater/Air Con.	Bobine	Heizelement	Bobina	
6	6193059M91	1	Seal-Kit-Heater/Air Con.	Jeu Étanchéité	Dichtringsatz	Juego De Juntas	
7	6193039M1	2	Grommet-Heater	Passe-Fil	Tülle	Pasa Cable	
8	6112782M91	1	Harness - Heater	Faisceau	Kabelstrang	Haz	From H200 07 5530
8	6193057M91	1	Harness-Heater/Air Con Wiring	Faisceau	Kabelstrang	Haz	Up To H200 07 5530
9	#SCREW	11	Screw	Vis	Schraube	Tornillo	Ref. 1
10	#SCREW	3	Screw	Vis	Schraube	Tornillo	Ref. 1
11	6193055M91	1	Resistance, Heater Unit	Résistance	Widerstand	Resistencia	
12	6193053M1	1	Bracket-Heater Resistor	Patte Fixation	Halter	Pata De Fijación	
13	#TIE, CABLE	1	Tie, Cable	Tie, Cable	Tie, Cable	Tie, Cable	Ref. 1
14	#CAP	3	Cap	Chapeau	Kappe	Tapa	Ref. 1





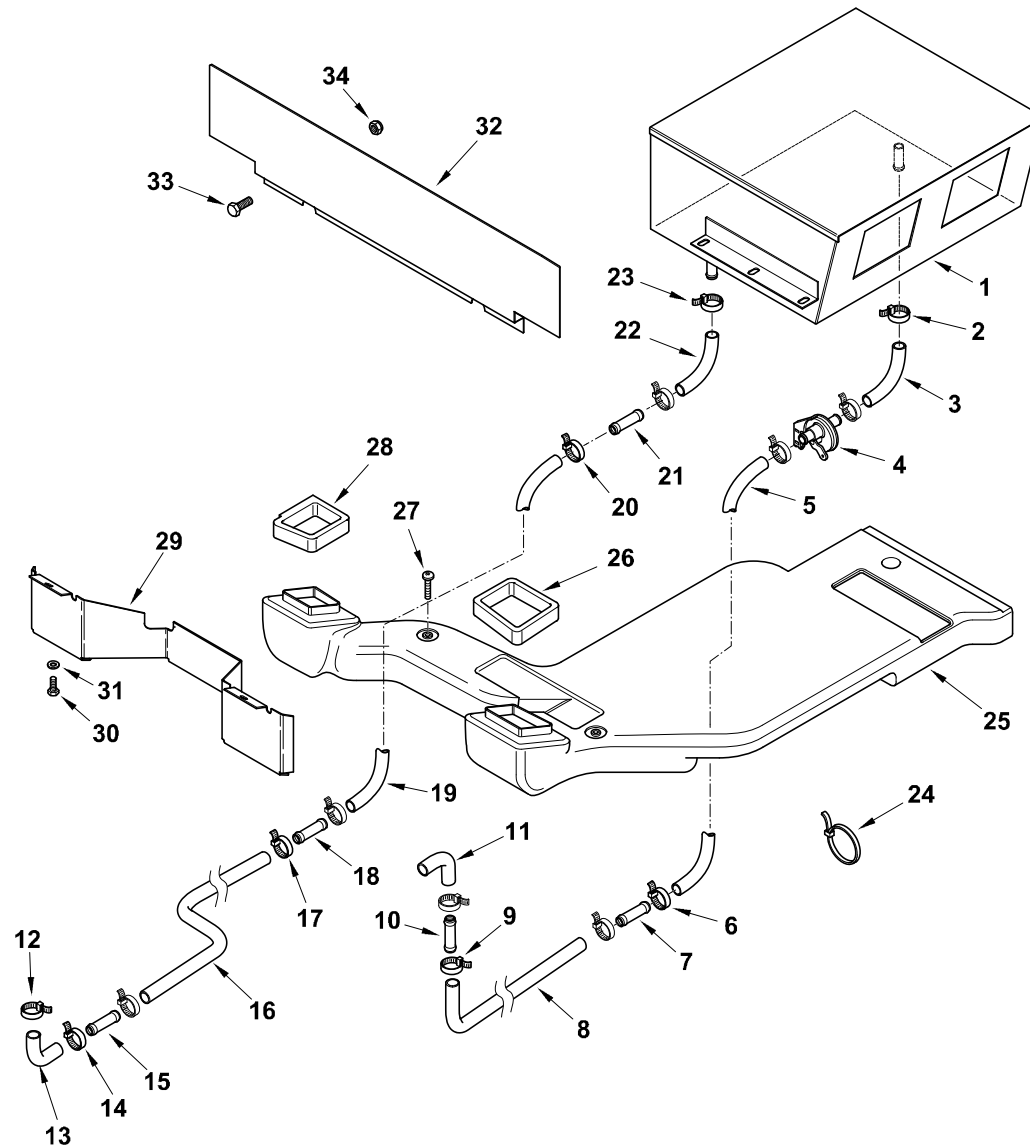
Item	Part No.	Qty.	English	French	German	Spanish	Remarks
1	6106706M1	1	Receiver Drier	Recev. Déshydrateur	Flüs.-Beh. M. Trockn	Recept. Deshidratador	
2	2700057M91	1	Clamp Air Con	Collier De Serrage	Klemme	Argolla De Cierre	
3	3517696M91	1	Pressure Switch	Contacteur	Schalter	Contactar	
4	6110163M1	1	Bracket - Receiver Drier	Patte Fixation	Halter	Pata De Fijación	H200 7 3746
5	3009491X1	2	Bolt M10 X 20	Boulon	Maschschraube M10	Tornillo	
6	390734X1	2	Washer M10-21-2 Z	Rondelle - M10	Unterlegscheibe	Arandela	
7	6109300M91	1	Hose-Drier/Air Con.	Flexible Ass.	Schlauch Kplt	Flexible, Conj.	
8	6109301M91	1	Hose-Drier/Condensor	Flexible Ass.	Schlauch Kplt	Flexible, Conj.	
9	1470377M1	1	Clamp Segment	Collier	Halteschelle	Brida De Fijación	
10	1470377M1	1	Clamp Segment	Collier	Halteschelle	Brida De Fijación	
11	1470376M1	1	Top Plate-Clamp	Plaque	Platte	Placa	
12	339011X1	1	Bolt M8-45 Z5s	Boulon	Schraube	Perno	
13	6110165M91	1	Hose-Condenser/Compressor	Flexible Ass.	Schlauch Kplt	Flexible, Conj.	
14	6110164M91	1	Hose-Air Con Unit/Compressor	Flexible Ass.	Schlauch Kplt	Flexible, Conj.	
15	1999755C2	1	Compressor Air Cond.	Compresseur	Kompressor	Compresor	
16	6114476M91	1	A/C Compressor Bracket Assy	Ensemble Support	Halter Kplt	Cjt. Soporte	
17	339009X1	2	Bolt - M8 X 35	Boulon M8 X 35	Maschschraube M8	Tornillo	
18	390972X1	2	Washer M8-17-1 Zwel	Rondelle M8	Scheibe - M8	Arandela	
19	3009494X1	3	Bolt Hex - M10 X 35, Coarse	Boulon - M10 X 35	Maschschraube M10	Tornillo	
20	390734X1	3	Washer M10-21-2 Z	Rondelle - M10	Unterlegscheibe	Arandela	
21	3009496X1	1	Bolt Hex - M10 X 45 (Coarse)	Boulon M10 X 45	Maschschraube - M10	Tornillo	
22	385362X1	1	Washer, Hardened - M10	Rondelle - M10	Unterlegscheibe M10	Arandela	
23	6110144M1	1	Sleeve-Air Con	Manchon	Hulse	Camisa	
24	6109236M1	1	Nut - M10 Nyloc Thin	Ecrou Blocage - M10	Flachmutter - M10	Tuerca	
25	3009495X1	1	Bolt, Hex. - M10 X 40	Boulon - M10 X 40	Schraube - M10 X 40	Tornillo	
26	385362X1	1	Washer, Hardened - M10	Rondelle - M10	Unterlegscheibe M10	Arandela	
27	6109236M1	1	Nut - M10 Nyloc Thin	Ecrou Blocage - M10	Flachmutter - M10	Tuerca	
28	6110133M1	1	V-Belt A/C Compressor	Courroie Trapez	Keilriemen	Correa Trapezoidal	
29	6110132M1	1	Stay Compressor	Support	Haltevorrichtung	Soporte	
30	3009491X1	1	Bolt M10 X 20	Boulon	Maschschraube M10	Tornillo	



Item	Part No.	Qty.	English	French	German	Spanish	Remarks
31	390734X1	1	Washer M10-21-2 Z	Rondelle - M10	Unterlegscheibe	Arandela	
32	3009494X1	1	Bolt Hex - M10 X 35, Coarse	Boulon - M10 X 35	Maschschraube M10	Tornillo	
33	385362X1	1	Washer, Hardened - M10	Rondelle - M10	Unterlegscheibe M10	Arandela	
34	6109236M1	1	Nut - M10 Nyloc Thin	Ecrou Blocage - M10	Flachmutter - M10	Tuerca	
35	6110179M91	1	Heat De•ector - Engine	Isolation	Schalldämmung	Aislante	
36	3517592M2	3	Decal - Air Con ISO	Adhésif	Aufkleber	Adhesivo	
37	394367X1	3	Nut, Hex. - Nyloc, M8	Ecrou Blocage M8	Flachmutter - M8	Tuerca De Retención	
38	390972X1	4	Washer M8-17-1 Zwl	Rondelle M8	Scheibe - M8	Arandela	
39	6111889M1	1	Clamp - Air Con Drier	Collier	Halteschelle	Argolla De Cierre	H200 7 3746
40	6111888M1	1	Bracket - Receiver Drier	Support Fixation	Haltearm	Pata De Fijación	H200 7 3746
41	6007754M1	1	Bolt - M8 X 25	Boulon	Maschschraube	Perno	



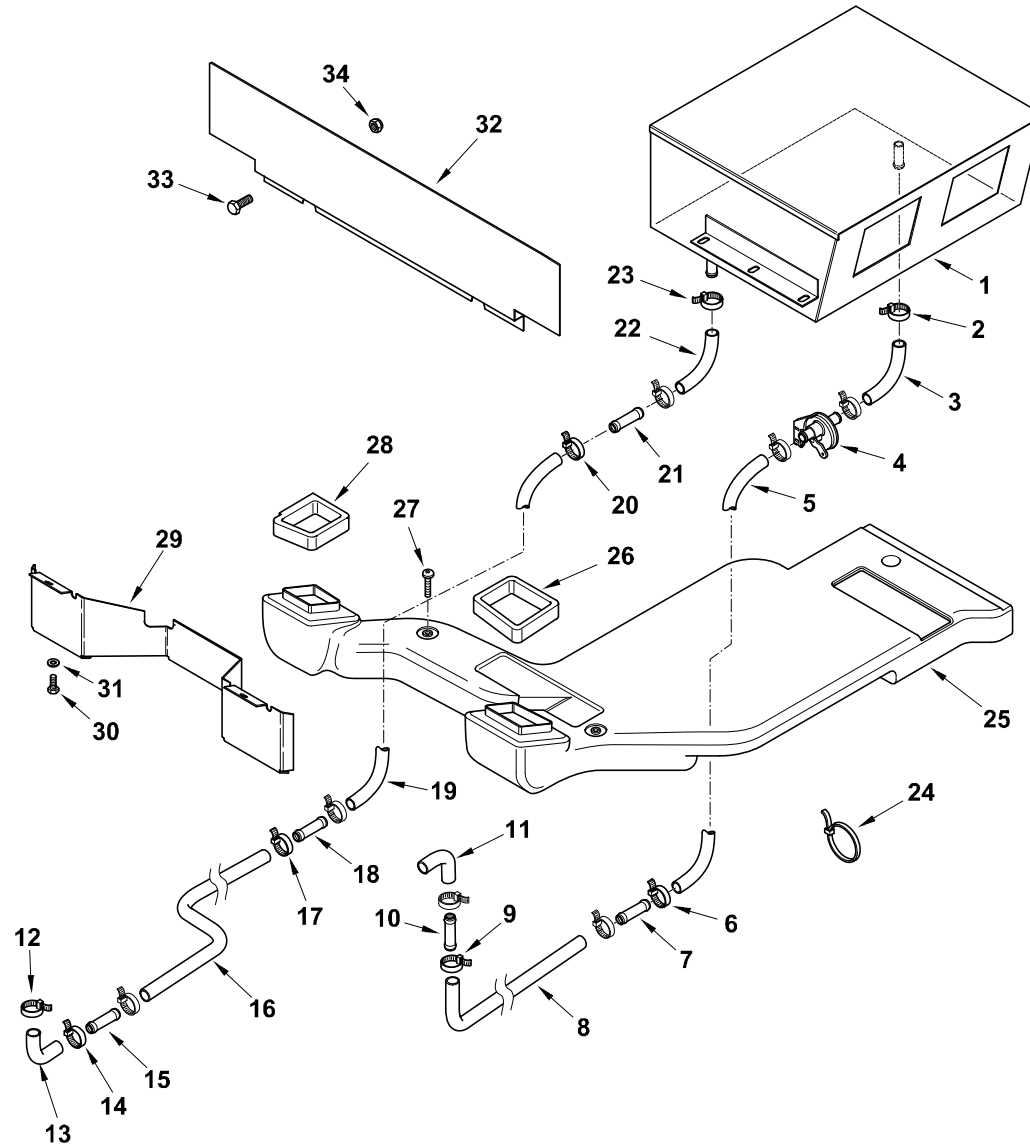
C-49011-02.1-B



Item	Part No.	Qty.	English	French	German	Spanish	Remarks
1	#UNIT, HEATER	1	Unit, Heater	Unit, Heater	Unit, Heater	Unit, Heater	49011c04.1 1
2	3517410M1	3	Clip Hose 16/25	Bride Pour Tutaux	Schlauchschele	Clip	
3	6107361M1	1	Elbow-Rubber	Coude En Caoutchouc	Gummikruemmer	Codo, 90°	
4	6106705M1	1	Water Valve, Heater	Distributeur	Steuerventil	Distribuidor	Ec05/073 Acc66c
4	6110874M1	1	Valve - Water Heater	Soupape	Ventil	Válvula	Ec05/073
5	6110268M1	1	Hose-Heater X 250nom	Flexible	Schlauch	Tubo Flexible	
6	3517410M1	2	Clip Hose 16/25	Bride Pour Tutaux	Schlauchschele	Clip	
7	3521772M1	1	Connector Tube 5/8	Connecteur	Steckverbindung	Conector	
8	6003690M1	1	Hose-Heater	Flexible	Schlauch	Tubo Flexible	
9	3517410M1	2	Clip Hose 16/25	Bride Pour Tutaux	Schlauchschele	Clip	
10	3521772M1	1	Connector Tube 5/8	Connecteur	Steckverbindung	Conector	
11	3521752M1	1	Elbow - Rubber	Coude	Winkelstuck	Codo, 90°	
12	3517410M1	1	Clip Hose 16/25	Bride Pour Tutaux	Schlauchschele	Clip	
13	6107361M1	1	Elbow-Rubber	Coude En Caoutchouc	Gummikruemmer	Codo, 90°	
14	3517410M1	2	Clip Hose 16/25	Bride Pour Tutaux	Schlauchschele	Clip	
15	3521772M1	1	Connector Tube 5/8	Connecteur	Steckverbindung	Conector	
16	6013369M1	1	Hose-Heater	Flexible	Schlauch	Tubo Flexible	
17	3517410M1	2	Clip Hose 16/25	Bride Pour Tutaux	Schlauchschele	Clip	
18	3521772M1	1	Connector Tube 5/8	Connecteur	Steckverbindung	Conector	
19	6110268M1	1	Hose-Heater X 250nom	Flexible	Schlauch	Tubo Flexible	
20	3517410M1	2	Clip Hose 16/25	Bride Pour Tutaux	Schlauchschele	Clip	
21	3521772M1	1	Connector Tube 5/8	Connecteur	Steckverbindung	Conector	
22	6107361M1	1	Elbow-Rubber	Coude En Caoutchouc	Gummikruemmer	Codo, 90°	
23	3517410M1	1	Clip Hose 16/25	Bride Pour Tutaux	Schlauchschele	Clip	
24	724497M1	5	Tie 380mm T120r	Attache Câble	Kabelbinder	Enlace De Cable	
25	6101717M93	1	Air Conditioning Duct Assy - Front	Chambre À Air	Luftleitkanal	Conducto	
26	6101634M1	1	Seal-Foam-Front-Lh	Joint	Dichtung	Junta	
27	3009537X1	2	Screw - Pan Head (M5 X 20)	Vis	Schraube	Tornillo	
28	6101635M1	1	Seal-Foam-Front-Rh	Joint	Dichtung	Junta	
29	6102371M3	1	Plate-Air Con De•ector	Dé•ector	Abweisblech	De•ector	March 2005



C-49011-02.1-B

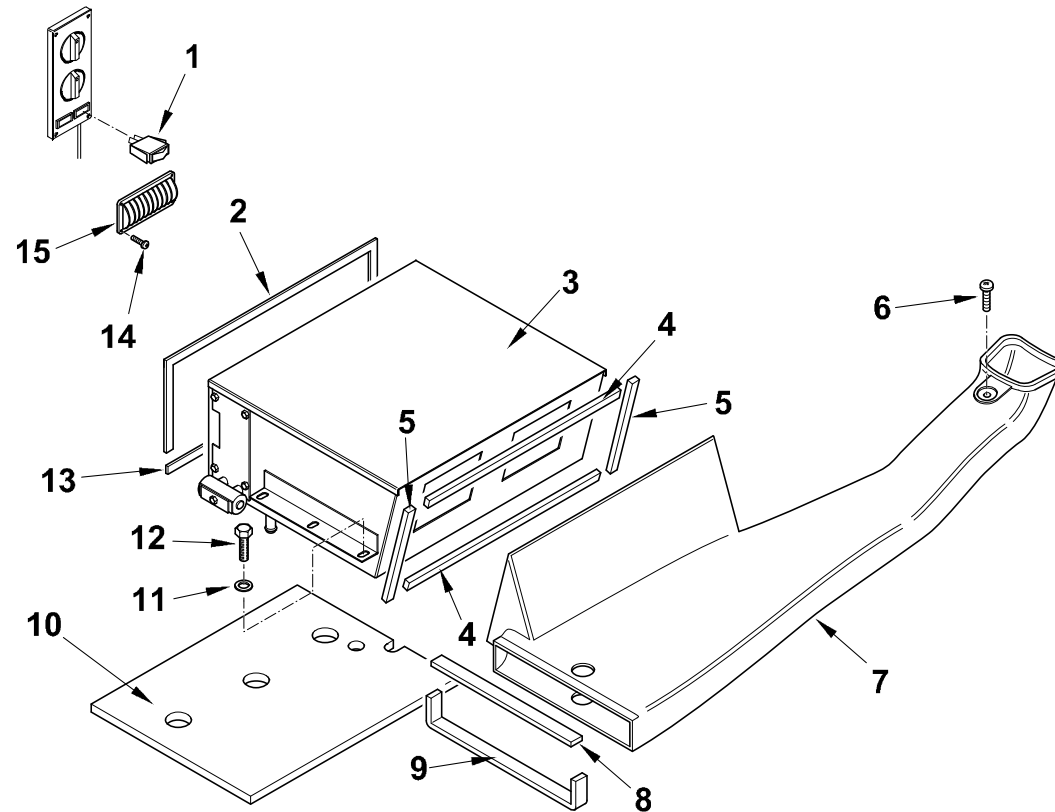




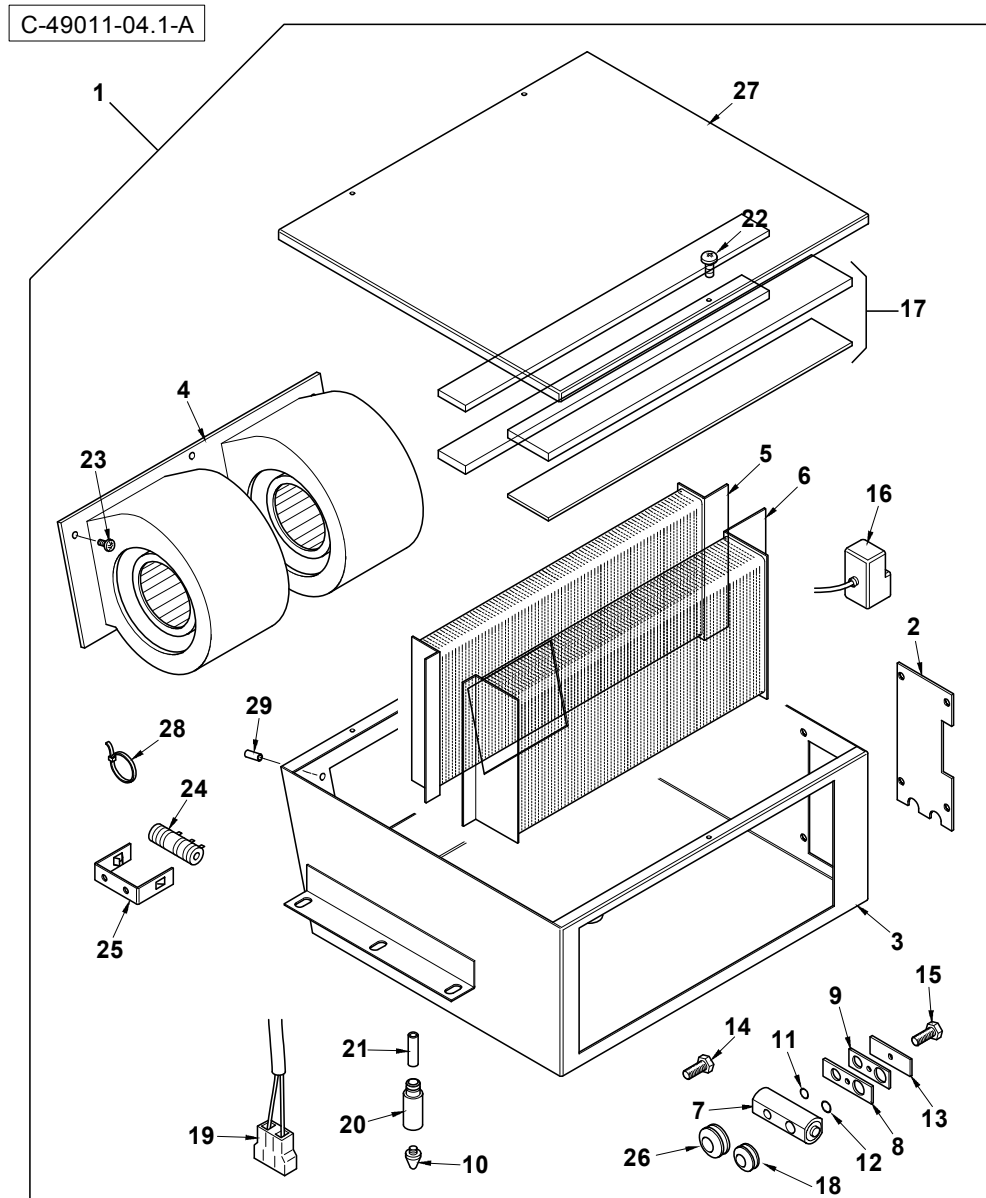
Item	Part No.	Qty.	English	French	German	Spanish	Remarks
30	339560X1	2	Bolt - M6 X 16mm (Hex.)	Boulon M6 X 16	Maschschraube - M6	Tornillo	March 2005
31	3019571X1	2	Washer, Large - M6, Hardened	Rondelle	Unterlegscheibe	Arandela	March 2005
32	6102370M1	1	Bracket-Air Con.	Dé•ecteur	Abweisblech	De•ector	
33	339123X1	2	Bolt M8-20 Z5f	Boulon M8 X 20	Maschschraube M8	Perno	
34	394367X1	2	Nut, Hex. - Nyloc, M8	Ecrou Blocage M8	Flachmutter - M8	Tuerca De Retención	



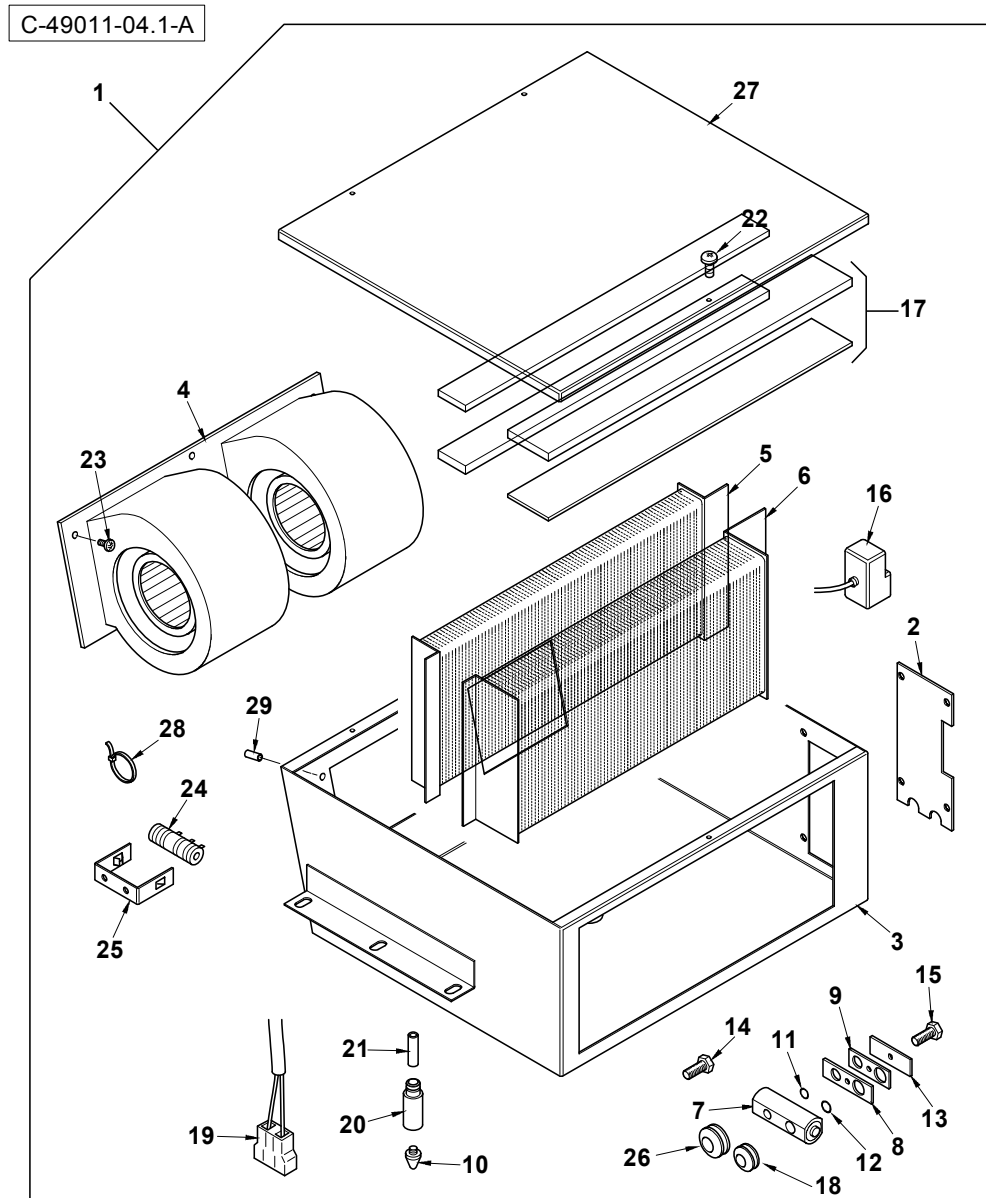
C-49011-03.1-C



Item	Part No.	Qty.	English	French	German	Spanish	Remarks
1	6110130M91	1	Switch- Air Con	Interrupteur	Schalter	Conmutador, Conj.	
2	6101692M1	1	Seal-Foam-Console-Rh	Joint	Dichtung	Junta	
3	#UNIT, HEATER	1	Unit, Heater	Unit, Heater	Unit, Heater	Unit, Heater	49011c04.1 1
4	6101632M1	2	Seal-Foam-Heater	Joint	Dichtung	Junta	
5	6101633M1	2	Seal-Foam-Heater	Joint	Dichtung	Junta	
6	3009537X1	1	Screw - Pan Head (M5 X 20)	Vis	Schraube	Tornillo	
7	6101718M91	1	Duct-Rear-Air Con Assy	Chambre À Air	Luftleitkanal	Cámara De Aire	Rear
8	6101666M1	1	Seal-Foam-Joint	Joint	Dichtung	Junta	
9	6101667M1	1	Seal-Foam-Joint	Joint	Dichtung	Junta	
10	6102447M2	1	Foam-Air Con. Insulation	Mousse	Schaumstoff	Espuma	
11	3019571X1	6	Washer, Large - M6, Hardened	Rondelle	Unterlegscheibe	Arandela	
12	339560X1	4	Bolt - M6 X 16mm (Hex.)	Boulon M6 X 16	Maschschraube - M6	Tornillo	
13	6101693M1	1	Seal-Foam-Console-Rh	Joint	Dichtung	Junta	
14	3522735M4	4	Screw M3 .5 X 20	Vis Autotaraud	Schneidschraube	Tornillo	
15	6106727M1	1	Louvre Heater & Aircon	Diffuseur	Luftdüse	Difusor	



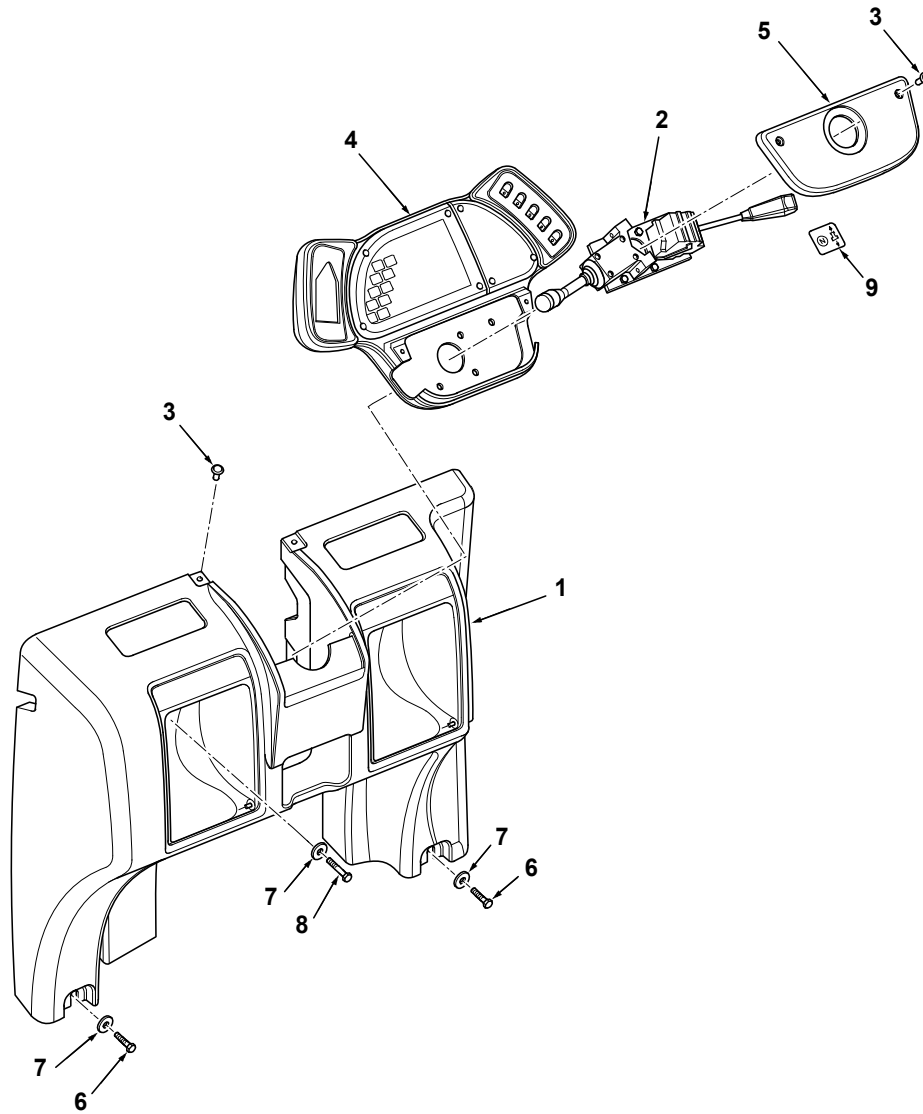
Item	Part No.	Qty.	English	French	German	Spanish	Remarks
1	6112779M91	1	Heater/Aircon Unit	Climatisation	Klimaanlage	Climatizador	4911c02.1 1 49011c03.1 1 From H200 07 5530
1	6108644M91	1	Heater/Air Cond.Assy	Climatisation	Klimaanlage	Climatizador	49011c02.1 1 49011c03.1 1 Up To H200 07 5530
2	#COVER	1	Cover	Cover	Cover	Cover	Ref. 1
3	#COVER	1	Cover	Cover	Cover	Cover	Ref. 1
4	6193046M91	1	Blower Motor - Heater	Souf•erie	Geb•läse	Soplador	Up To H200 07 5530
4	6195170M91	1	Blower Assembly	Souf•erie	Gebiase	Soplador	From H200 07 5530
5	6193047M1	1	Heating Element	Element De Chauffage	Heizelement	Heizelement	Heater
6	6193612M1	1	Evaporator Air Conditioning	Bobine	Wicklung, Spule	Bobina	Evaporator
7	6193044M91	1	Valve-Heater Expansion	Soupape	Ventil	V•lvula	
8	6193708M1	1	Plate-Heater Clamp	Plaque	Platte	Placa	
9	6193045M1	1	Plate-Heater Clamp	Plaque	Platte	Placa	
10	6193056M1	2	Nipple-Heater Drain	Robinet De Vidange	Ablasshahn	Grifo De Vaciado	
11	6193041M1	1	O-Ring-No. 8	Joint Torique	O-Ring	Junta De Tipo O	
12	6193042M1	1	O-Ring-No. 10	Joint Torique	O-Ring	Junta De Tipo O	
13	#CLAMP	1	Clamp	Clamp	Clamp	Clamp	Ref. 1
14	#BOLT	2	Bolt	Boulon	Schraubbolzen	Perno	Ref. 1
15	#BOLT	1	Bolt	Boulon	Schraubbolzen	Perno	Ref. 1
16	6193052M91	1	Thermostat-Heater	Thermostat	Thermostat	Termostato	
17	6193051M91	1	Kit Seal Strips	Jeu •tanch•eit•	Dichtringsatz	Juego De Juntas	
18	6193039M1	3	Grommet-Heater	Passe-Fil	T•lle	Pasa Cable	
19	6112781M91	1	Harness - Combi	Ensemble De Faisceau	Kabelstrang Kpl.	Haz, Conj.	From H200 07 5530
19	6193049M91	1	Harness-Heater Wiring	Ensemble De Faisceau	Kabelstrang Kpl.	Haz, Conj.	Up To H200 07 5530
20	6193040M91	2	Valve-Heater Drain Check	Clapet Anti-Retour	R•ckschlagventil	V•lvula De Parada	
21	6193050M1	2	Pipe-Heater Drain	Tuyau	Rohr	Tubo	
22	#SCREW	15	Screw	Vis	Schraube	Tornillo	Ref. 1
23	#SCREW	3	Screw	Vis	Schraube	Tornillo	Ref. 1
24	6193055M91	1	Resistance, Heater Unit	R•sistance	Widerstand	Resistencia	
25	6193053M1	1	Bracket-Heater Resistor	Patte Fixation	Halter	Pata De Fijaci•n	
26	6193054M1	1	Grommet-Heater Exp.Valve Pipe	Passe-Fil	T•lle	Pasa Cable	
27	#COVER	1	Cover	Cover	Cover	Cover	Ref. 1



<b>Item</b>	<b>Part No.</b>	<b>Qty.</b>	<b>English</b>	<b>French</b>	<b>German</b>	<b>Spanish</b>	<b>Remarks</b>
28	#TIE, CABLE	1	Tie, Cable	Tie, Cable	Tie, Cable	Tie, Cable	Ref. 1
29	#SLEEVE	3	Sleeve	Manchon	Hülse	Mancha	Ref. 1



C-55009-01.1-A

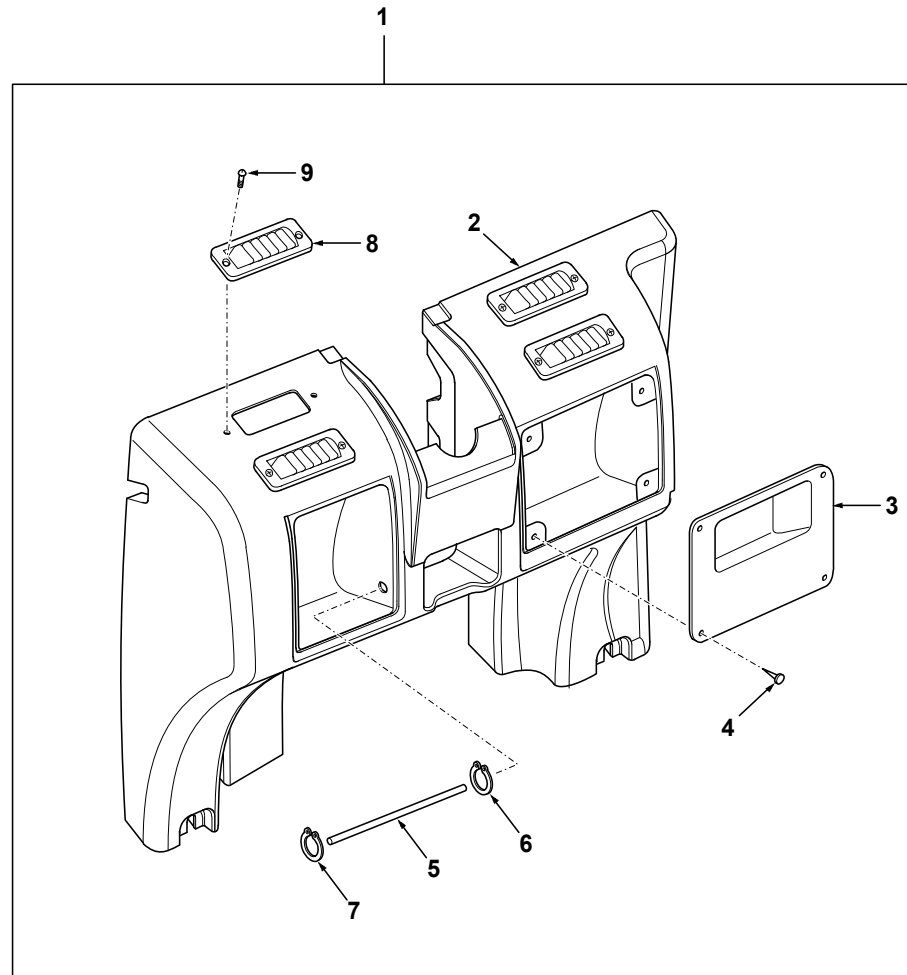




Item	Part No.	Qty.	English	French	German	Spanish	Remarks
1	6106473M91	1	Front Console Lower-Cab	Console	Konsole	Consola	55009c02.1 1
2	#SWITCH, SELECTOR	1	Switch, Selector	Switch, Selector	Switch, Selector	Switch, Selector	55009c04.1 1
3	6101591M1	4	Fastener - "Scrivet"	Rivet	Niete	Remache	
4	#PANEL, INSTRUMENT	1	Panel, Instrument	Panel, Instrument	Panel, Instrument	Panel, Instrument	55009c03.1 1
5	6099518M1	1	Cover - Front Console Upper (Grey)	Cache	Abdeckung	Tapa	
6	339009X1	1	Bolt - M8 X 35	Boulon M8 X 35	Maschschraube M8	Tornillo	
7	6101768M1	2	Washer	Rondelle	Scheibe	Arandela	
8	339123X1	4	Bolt M8-20 Z5f	Boulon M8 X 20	Maschschraube M8	Perno	
9	6101914M1	2	Decal - Forward / Reverse	Adhésif	Aufkleber	Adhesivo	



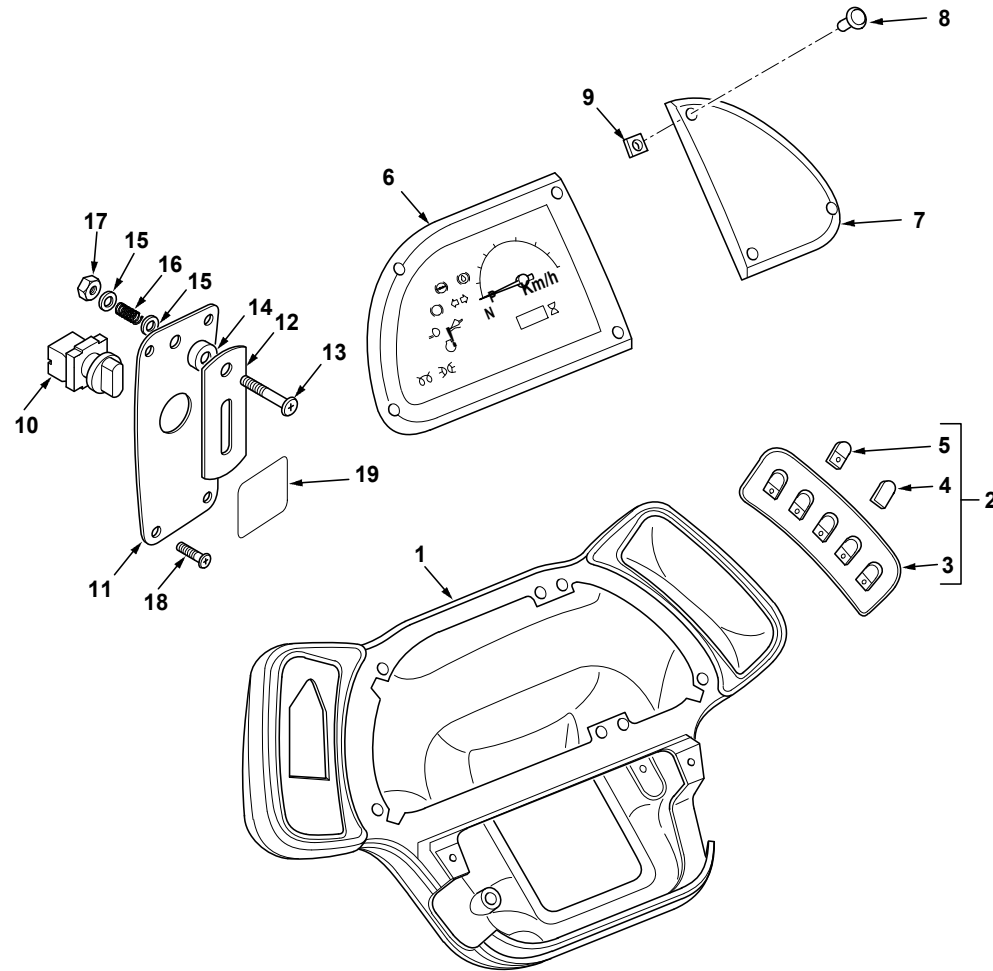
C-55009-02.1-A



Item	Part No.	Qty.	English	French	German	Spanish	Remarks
1	6106473M91	1	Front Console Lower-Cab	Console	Konsole	Consola	55009c01.1 1
2	6106671M1	1	Front Console Lower-Cab	Console	Konsole	Consola	
3	6106812M2	1	Cover - Console Pocket (Grey)	Cache	Abdeckung	Tapa	
4	3521303M3	4	Fastener, Plastic - Gear Lever Gaiter	Agrafe	Halteklammer	Eganche	
5	6108289M1	1	Pin-Rops Console Rail	Rail	Schiene	Carril	
6	3000115X1	1	Clip-Spring	Segment D'Arrêt	Sicherungsring	Circlip	
7	3000115X1	1	Clip-Spring	Segment D'Arrêt	Sicherungsring	Circlip	
8	3516231M1	5	Louver Small	Trappe Aération	Luftschlitz	Difusor	
9	3522735M4	10	Screw M3 .5 X 20	Vis Autotaraud	Schneidschraube	Tornillo	

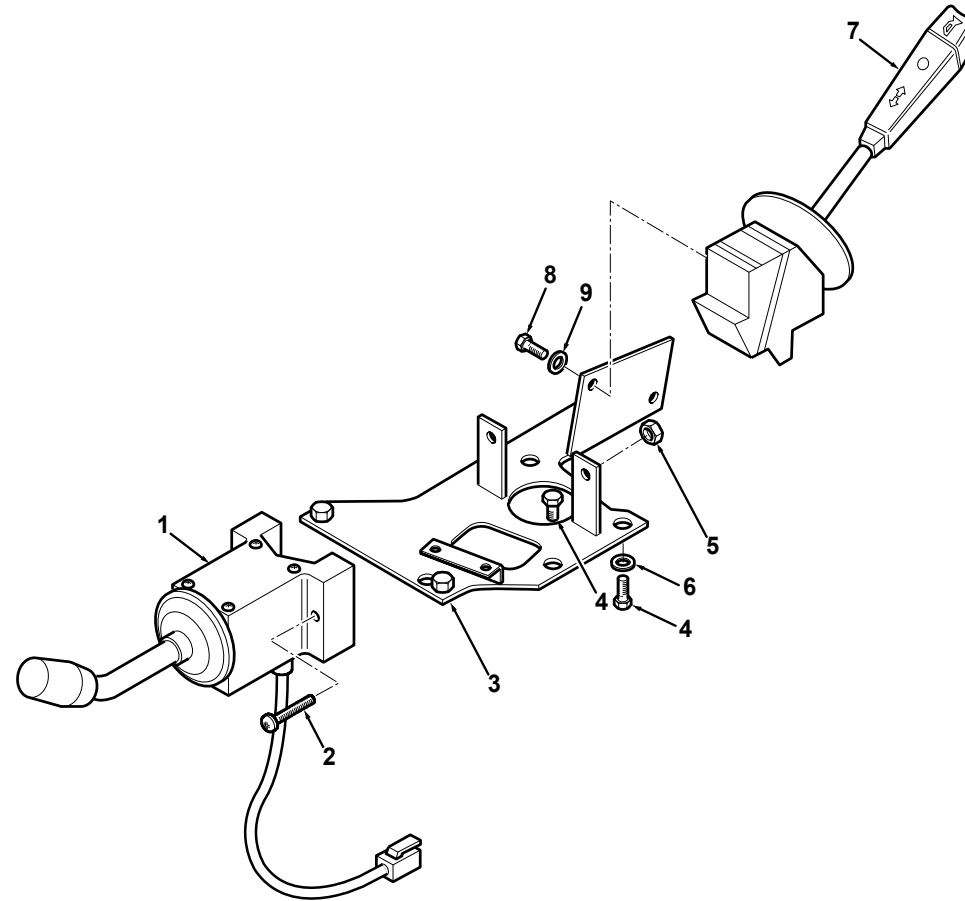


C-55009-03.1-A



Item	Part No.	Qty.	English	French	German	Spanish	Remarks
1	6099537M1	1	Front Console Upper Cab (Grey)	Console	Konsole	Consola	55009c01.1 4
2	6109507M91	1	Switchpack RH - Front Console	Paquet De Commut.	Schaltsatz	Paquete De Cambio	
3	#SWITCHPACK	1	Switchpack	Switchpack	Switchpack	Switchpack	Ref. 2
4	6101778M1	3	Cover-Switch W/Out Legend (Grey)	Cache	Abdeckung	Tapa	
5	6101777M91	2	Cover Assy. - Switch Operating	Cache	Abdeckung	Tapa	
6	6111060M91	1	Instr Pack With Speedo Console - Front	Groupe D'inst. De Bo	Instrumentensatz	Tablero Instrumentos	
7	6101807M1	1	Panel, Top R/H - Front Console (Grey)	Couvercle	Abdeckblech	Tapa	
8	365915X1	7	Screw- No 6 X 16 Lg (Iso 8.8) Zinc	Vis	Schraube	Tornillo	
9	6101590M1	7	Nut "U" M4	Ecrou	Mutter	Tuerca En U	
10	3519935M91	1	4wd Switch Assy	Commutateur Ass.	Schalter Kplt	Contactar	
11	6106194M1	1	Switch Plate 4wheel Brake	Plaque	Platte	Placa	
12	6106195M2	1	Indicator 4 Wheel Brake Lever	Témoin	Anzeige	Indicador	
13	3009542X1	1	Screw Pan Hd.M6 X 45	Vis	Schraube	Tornillo	
14	3516528M1	1	Boss	Bossage	Anschweißauge	Traviesa	
15	390971X1	2	Washer M6-12-1 Zwl	Rondelle - M6	Scheibe - M6	Arandela	
16	3516529M1	1	Spring	Siège De Ressort	Federsitz	Muelle	
17	1441500X1	1	Nut M6 Z5 Nyloc	Ecrou	Flachmutter M6	Tuerca De Retención	
18	3516218M2	4	Screw S/Tapping	Vis	Schraube	Tornillo	
19	6106221M1	1	Decal-4w Brake Select Switch	Adhésif	Aufkleber	Adhesivo	

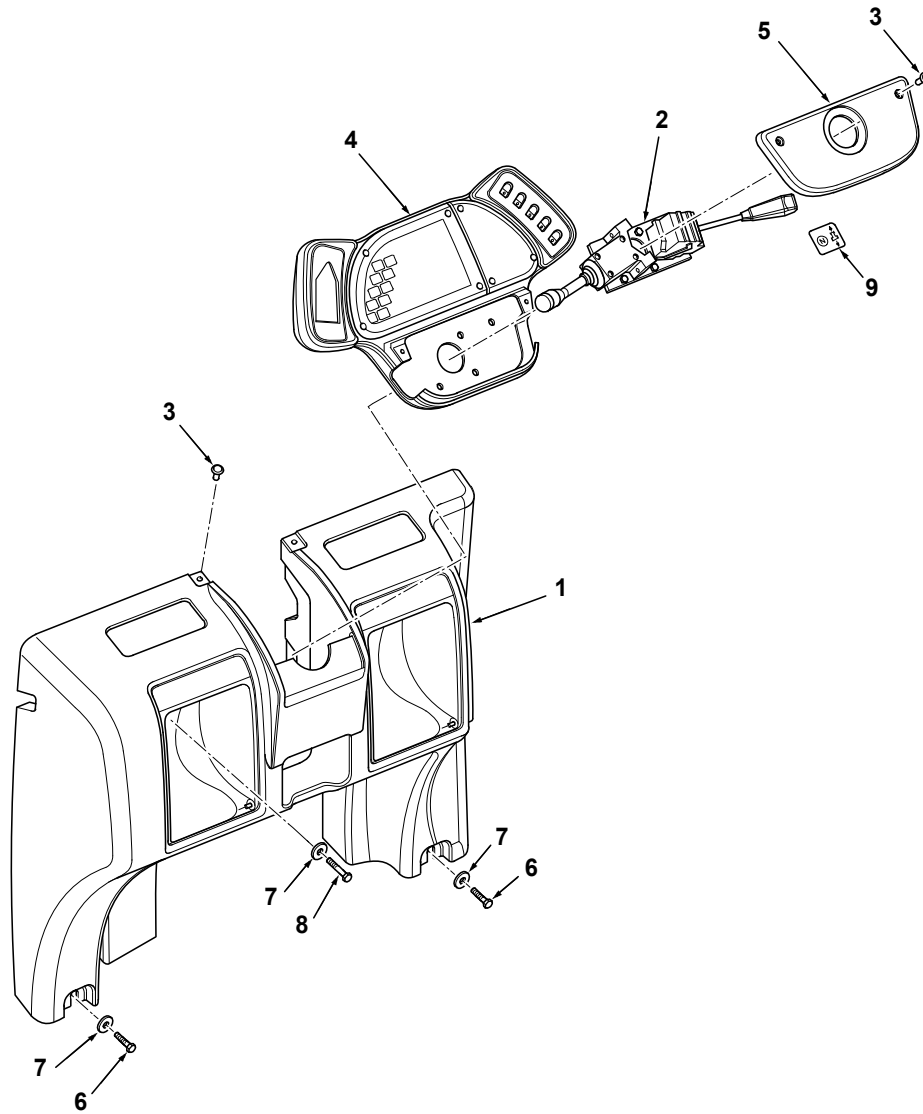
C-55009-04.1-A



Item	Part No.	Qty.	English	French	German	Spanish	Remarks
1	6106398M91	1	Switch Assy. - Forward/Reverse	Commutateur Ass.	Schalter Kplt	Conmutador	55009c01.1 2
2	3009538X1	2	Screw Pan Hd.M5 X 35	Vis	Schraube	Tornillo	
3	6107120M92	1	Bracket - Switch Mounting	Ensemble Support	Halter Kpl	Cuchara, Conj.	
4	339124X1	6	Bolt M8-16 Z5f	Goupille	Maschschrb Metr - M8	Tornillo	
5	1441494X1	2	Nut, Nyloc - M5	Ecrou Métrique	Mutter Metrisch	Tuerca De Retención	
6	390972X1	3	Washer M8-17-1 Zwl	Rondelle M8	Scheibe - M8	Arandela	
7	3516095M1	1	Switch, Indicators/Horn - Strg. Column	Commutateur	Wählschalter	Conmutador	
8	3007932X1	1	Screw Pan Hd.M5 X 12	Vis	Schraube	Tornillo	
9	3019560X1	2	Washer M5	Rondelle	Scheibe	Arandela	



C-55010-01.1-A

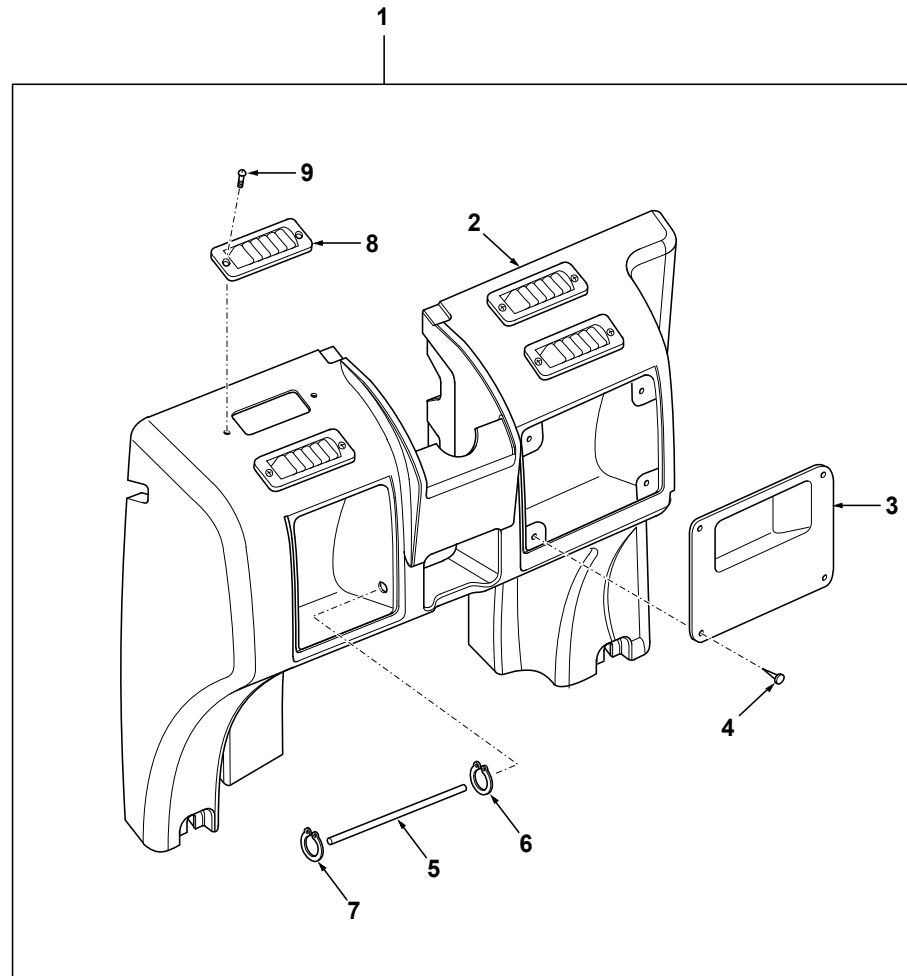




Item	Part No.	Qty.	English	French	German	Spanish	Remarks
1	6106473M91	1	Front Console Lower-Cab	Console	Konsole	Consola	55010c02.1 1
2	#SWITCH, SELECTOR	1	Switch, Selector	Switch, Selector	Switch, Selector	Switch, Selector	55010c04.1 1
3	6101591M1	4	Fastener - "Scrivet"	Rivet	Niete	Remache	
4	#PANEL, INSTRUMENT	1	Panel, Instrument	Panel, Instrument	Panel, Instrument	Panel, Instrument	55010c03.1 1
5	6099518M1	1	Cover - Front Console Upper (Grey)	Cache	Abdeckung	Tapa	
6	339009X1	1	Bolt - M8 X 35	Boulon M8 X 35	Maschschraube M8	Tornillo	
7	6101768M1	2	Washer	Rondelle	Scheibe	Arandela	
8	339123X1	4	Bolt M8-20 Z5f	Boulon M8 X 20	Maschschraube M8	Perno	
9	6101914M1	2	Decal - Forward / Reverse	Adhésif	Aufkleber	Adhesivo	



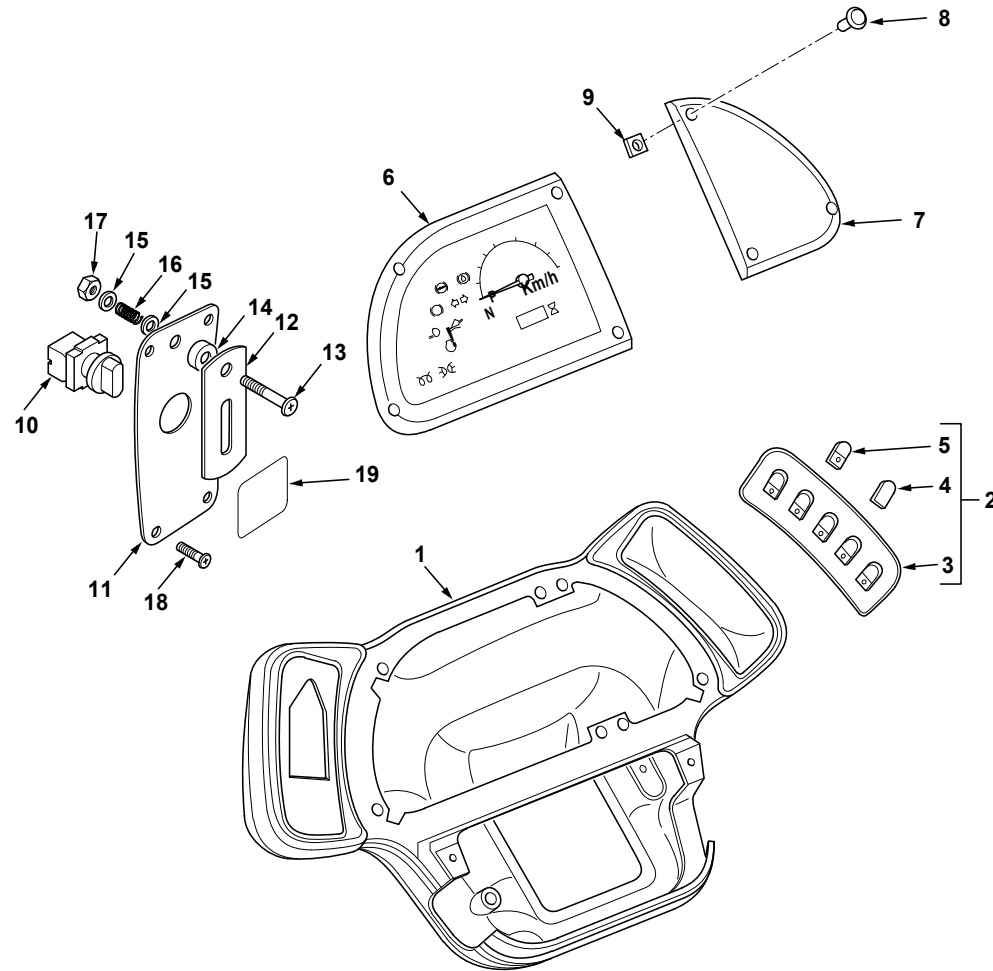
C-55010-02.1-A



Item	Part No.	Qty.	English	French	German	Spanish	Remarks
1	6106473M91	1	Front Console Lower-Cab	Console	Konsole	Consola	55010c01.1 1
2	6106671M1	1	Front Console Lower-Cab	Console	Konsole	Consola	
3	6106812M2	1	Cover - Console Pocket (Grey)	Cache	Abdeckung	Tapa	
4	3521303M3	4	Fastener, Plastic - Gear Lever Gaiter	Agrafe	Halteklammer	Eganche	
5	6108289M1	1	Pin-Rops Console Rail	Rail	Schiene	Carril	
6	3000115X1	1	Clip-Spring	Segment D'Arrêt	Sicherungsring	Circlip	
7	3000115X1	1	Clip-Spring	Segment D'Arrêt	Sicherungsring	Circlip	
8	3516231M1	5	Louver Small	Trappe Aération	Luftschlitz	Difusor	
9	3522735M4	10	Screw M3 .5 X 20	Vis Autotaraud	Schneidschraube	Tornillo	

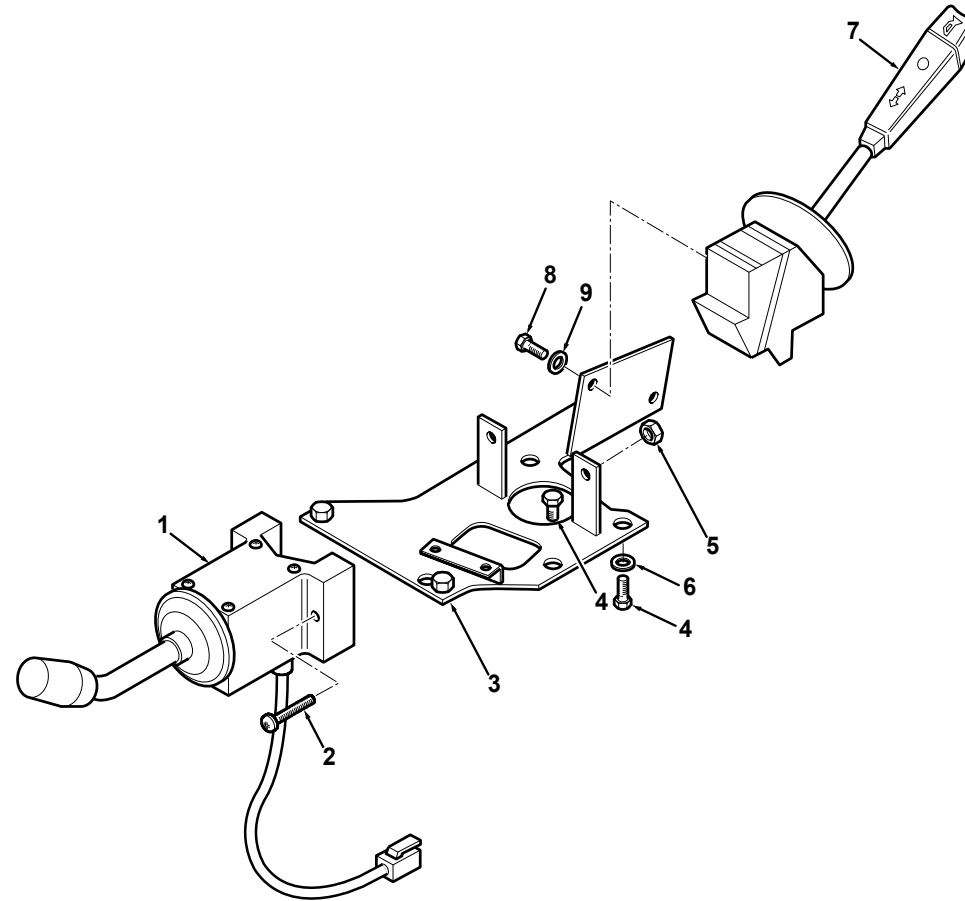


C-55010-03.1-A



Item	Part No.	Qty.	English	French	German	Spanish	Remarks
1	6099537M1	1	Front Console Upper Cab (Grey)	Console	Konsole	Consola	55010c01.1 4
2	6109507M91	1	Switchpack RH - Front Console	Paquet De Commut.	Schaltsatz	Paquete De Cambio	
3	#SWITCHPACK	1	Switchpack	Switchpack	Switchpack	Switchpack	Ref. 2
4	6101778M1	3	Cover-Switch W/Out Legend (Grey)	Cache	Abdeckung	Tapa	
5	6101777M91	2	Cover Assy. - Switch Operating	Cache	Abdeckung	Tapa	
6	6102305M93	1	Panel, Instrument - Front, Less Speedo	Tableau De Bord	Brett, Armaturen	Tablero Instrumentos	
7	6101807M1	1	Panel, Top R/H - Front Console (Grey)	Couvercle	Abdeckblech	Tapa	
8	365915X1	7	Screw- No 6 X 16 Lg (Iso 8.8) Zinc	Vis	Schraube	Tornillo	
9	6101590M1	7	Nut "U" M4	Ecrou	Mutter	Tuerca En U	
10	3519935M91	1	4wd Switch Assy	Commutateur Ass.	Schalter Kplt	Contactar	
11	6106194M1	1	Switch Plate 4wheel Brake	Plaque	Platte	Placa	
12	6106195M2	1	Indicator 4 Wheel Brake Lever	Témoin	Anzeige	Indicador	
13	3009542X1	1	Screw Pan Hd.M6 X 45	Vis	Schraube	Tornillo	
14	3516528M1	1	Boss	Bossage	Anschweißauge	Traviesa	
15	390971X1	2	Washer M6-12-1 Zwl	Rondelle - M6	Scheibe - M6	Arandela	
16	3516529M1	1	Spring	Siège De Ressort	Federsitz	Muelle	
17	1441500X1	1	Nut M6 Z5 Nyloc	Ecrou	Flachmutter M6	Tuerca De Retención	
18	3516218M2	4	Screw S/Tapping	Vis	Schraube	Tornillo	
19	6106221M1	1	Decal-4w Brake Select Switch	Adhésif	Aufkleber	Adhesivo	

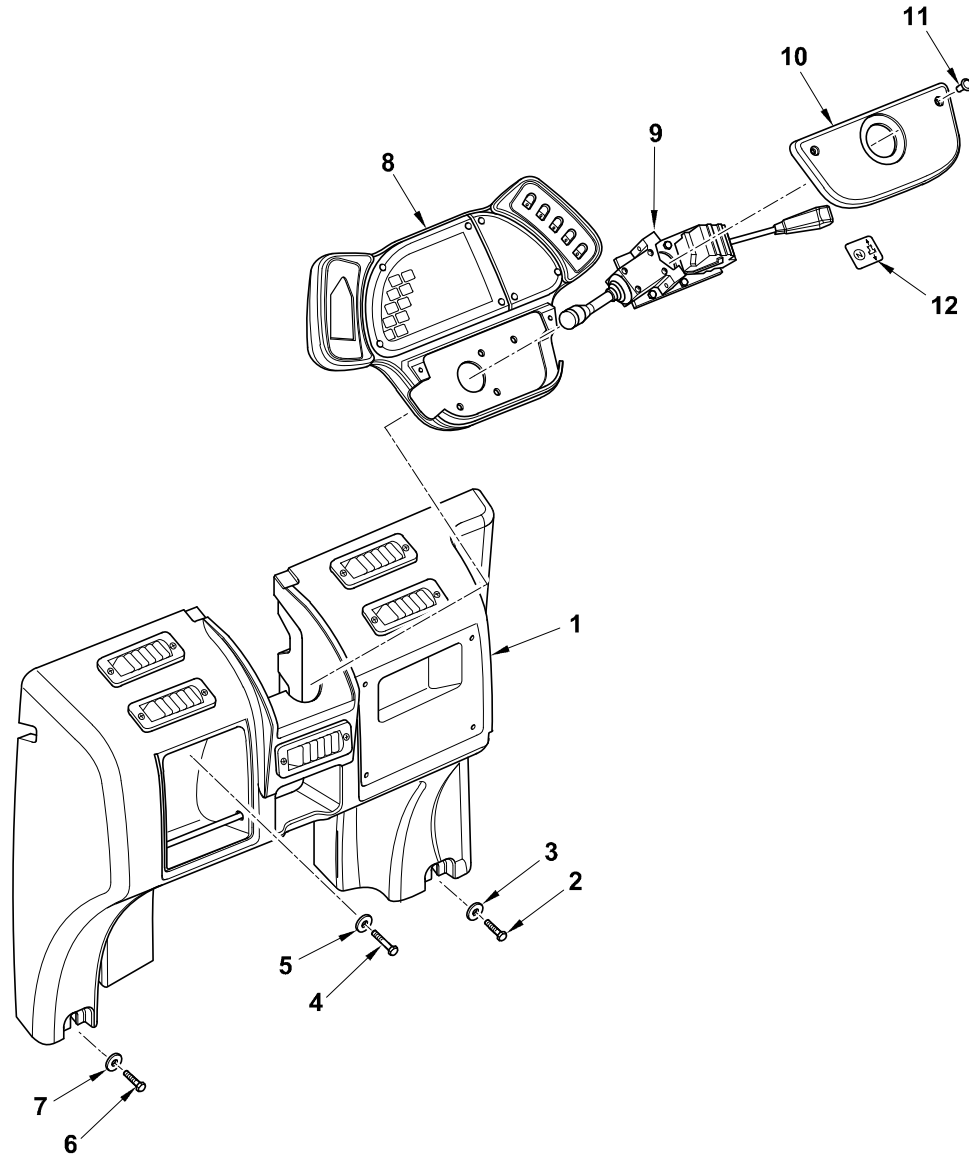
C-55010-04.1-A



Item	Part No.	Qty.	English	French	German	Spanish	Remarks
1	6106398M91	1	Switch Assy. - Forward/Reverse	Commutateur Ass.	Schalter Kplt	Conmutador	55010c01.1 2
2	3009538X1	2	Screw Pan Hd.M5 X 35	Vis	Schraube	Tornillo	
3	6107120M92	1	Bracket - Switch Mounting	Ensemble Support	Halter Kpl	Cuchara, Conj.	
4	339124X1	6	Bolt M8-16 Z5f	Goupille	Maschschrb Metr - M8	Tornillo	
5	1441494X1	2	Nut, Nyloc - M5	Ecrou Métrique	Mutter Metrisch	Tuerca De Retención	
6	390972X1	3	Washer M8-17-1 Zwl	Rondelle M8	Scheibe - M8	Arandela	
7	3516095M1	1	Switch, Indicators/Horn - Strg. Column	Commutateur	Wählschalter	Conmutador	
8	3007932X1	1	Screw Pan Hd.M5 X 12	Vis	Schraube	Tornillo	
9	3019560X1	2	Washer M5	Rondelle	Scheibe	Arandela	



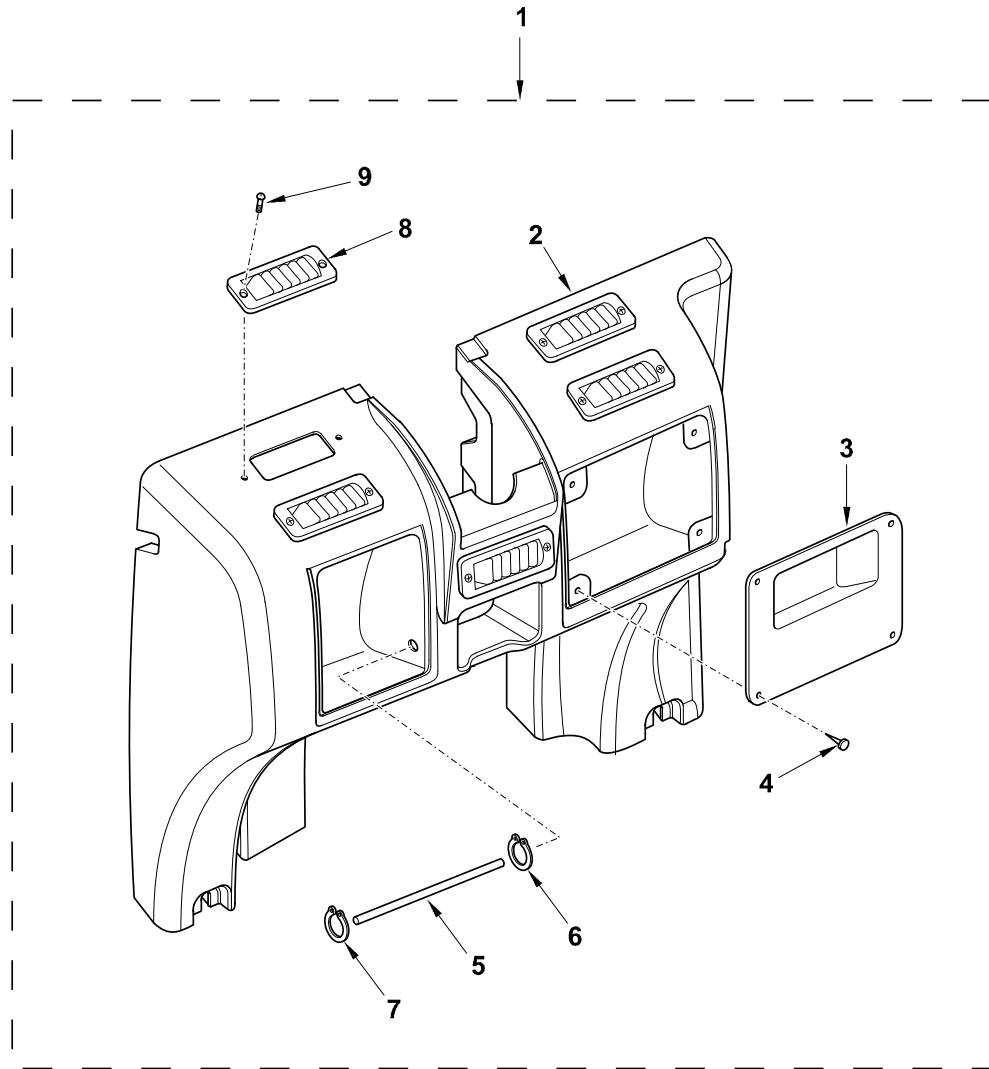
C-55024-01.1-A





Item	Part No.	Qty.	English	French	German	Spanish	Remarks
1	T101127	1	Console Assy Front Lower Cab (Black)	Console	Konsole	Consola	See 55024c02.1
2	#SWITCH, SELECTOR	1	Switch, Selector	Switch, Selector	Switch, Selector	Switch, Selector	See 55024c04.1
3	6101591M1	4	Fastener - "Scrivet"	Rivet	Niete	Remache	
4	#PANEL, INSTRUMENT	1	Panel, Instrument	Panel, Instrument	Panel, Instrument	Panel, Instrument	See 55024c03.1
5	T101130	1	Cover Console Front Upper (Black)	Couvercle	Deckel	Cubierta	
6	339009X1	1	Bolt - M8 X 35	Boulon M8 X 35	Maschschraube M8	Tornillo	
7	6101768M1	1	Washer	Rondelle	Scheibe	Arandela	
8	339123X1	2	Bolt M8-20 Z5f	Boulon M8 X 20	Maschschraube M8	Perno	
9	6101768M1	2	Washer	Rondelle	Scheibe	Arandela	
10	339009X1	1	Bolt - M8 X 35	Boulon M8 X 35	Maschschraube M8	Tornillo	
11	6101768M1	1	Washer	Rondelle	Scheibe	Arandela	
12	6101914M1	1	Decal - Forward / Reverse	Adhésif	Aufkleber	Adhesivo	

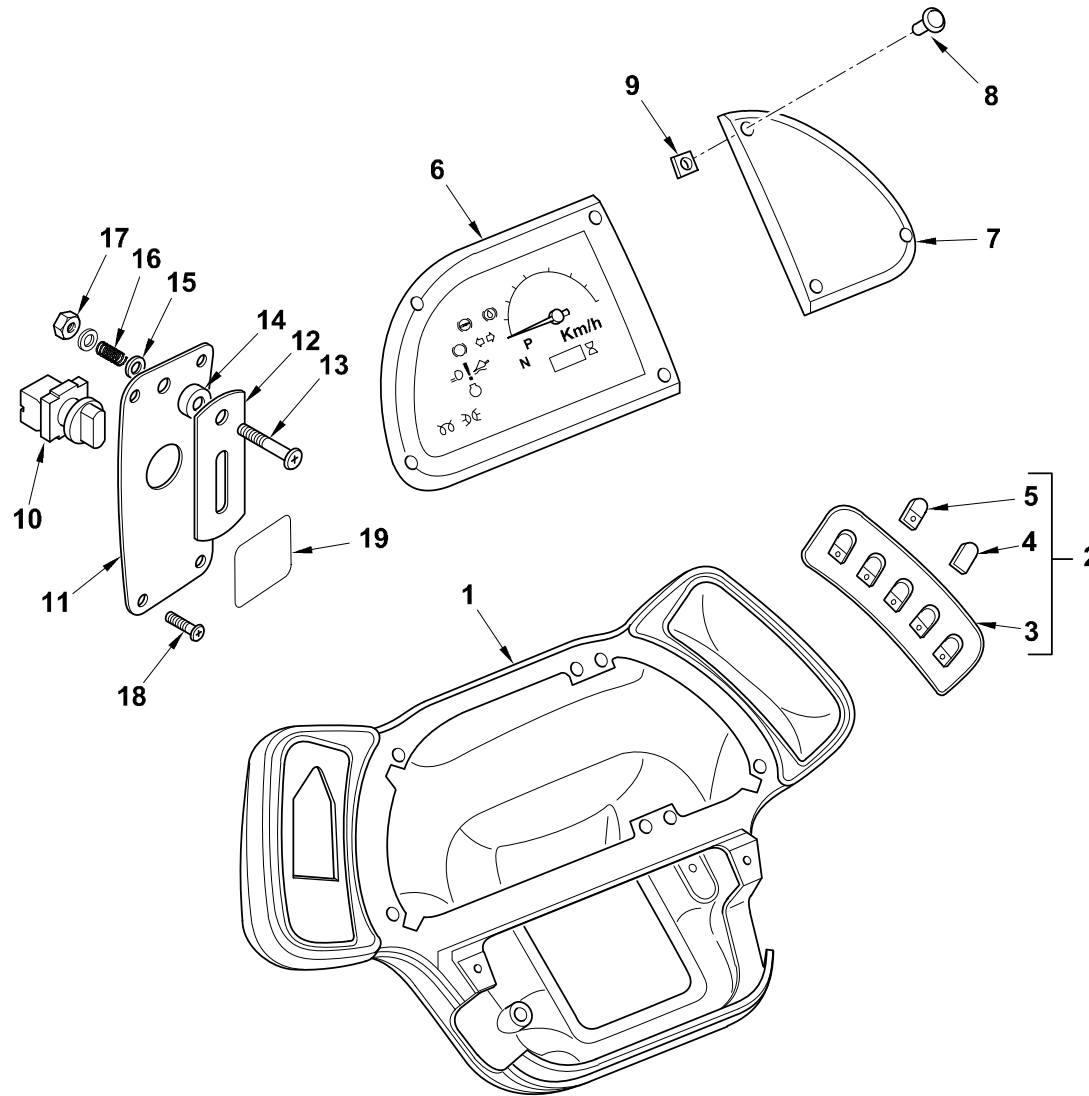
C-55024-02.1-A



Item	Part No.	Qty.	English	French	German	Spanish	Remarks
1	T101127	1	Console Assy Front Lower Cab (Black)	Console	Konsole	Consola	
2	T101128	1	Console Front Lower Cab	Console Front Lower Cab	Console Front Lower Cab	Console Front Lower Cab	
3	T101126	1	Cover (Black)	Couvercle	Deckel	Cubierta	
4	3521303M3	4	Fastener, Plastic - Gear Lever Gaiter	Agrafe	Halteklammer	Enganche	
5	6108289M1	1	Pin-Rops Console Rail	Rail	Schiene	Carril	
6	3000115X1	1	Clip-Spring	Segment D'Arrêt	Sicherungsring	Circlip	
7	3000115X1	1	Clip-Spring	Segment D'Arrêt	Sicherungsring	Circlip	
8	3516231M1	5	Louver Small	Trappe Aération	Luftschlitz	Difusor	
9	3522735M4	10	Screw M3 .5 X 20	Vis Autotaraud	Schneidschraube	Tornillo	

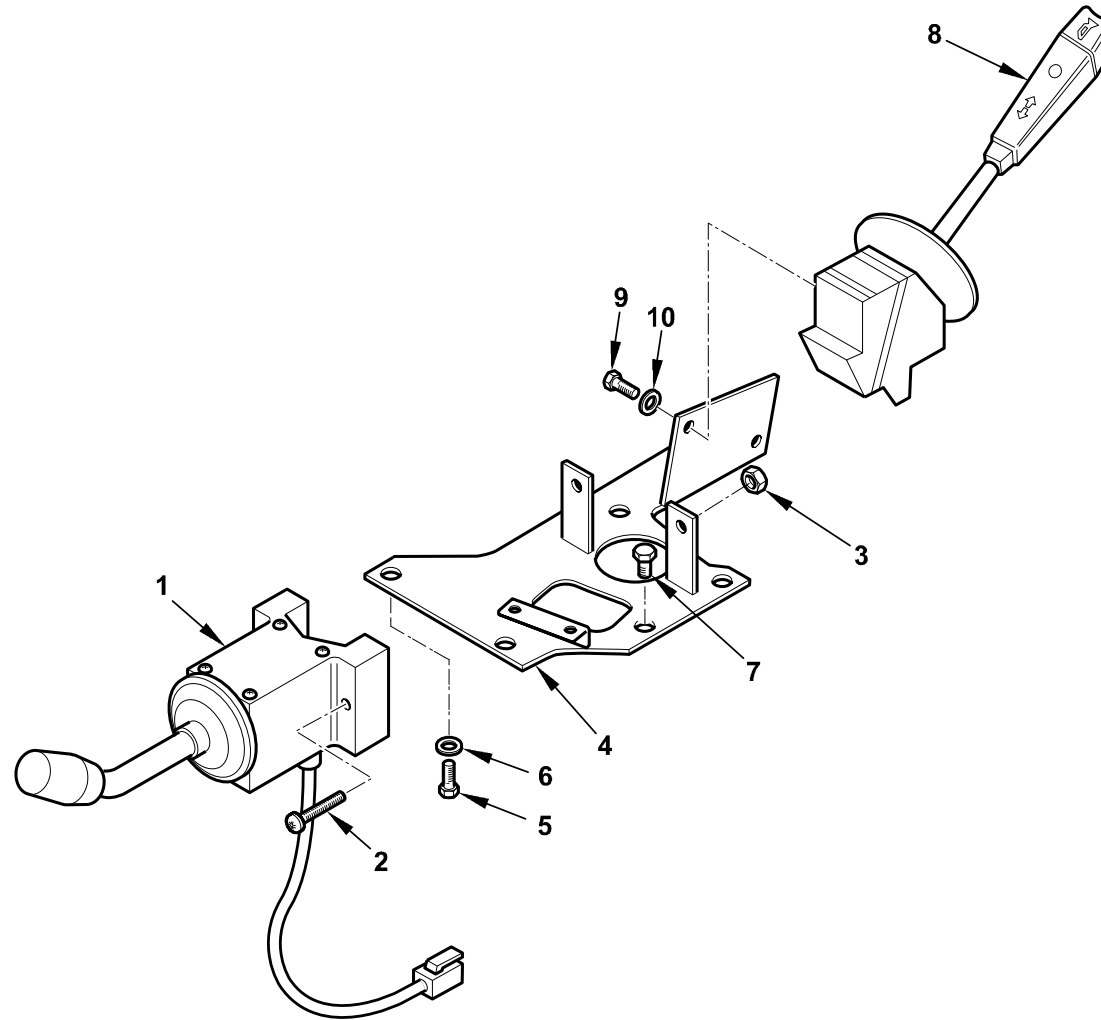


C-55024-03.1-A



Item	Part No.	Qty.	English	French	German	Spanish	Remarks
1	T101129	1	Console - Front Upper (Black)	Console	Konsole	Consola	
2	T101193	1	Switch Pack - RH - Front Console	Paquet De Commut.	Schaltsatz	Paquete De Cambio	
3	#SWITCHPACK	1	Switchpack	Switchpack	Switchpack	Switchpack	Ref. 2
4	T101131	3	Switch Blank (Black)	Couvercle	Deckel	Cubierta	
5	6101777M91	2	Cover Assy. - Switch Operating	Cache	Abdeckung	Tapa	
6	T101134	1	Instrument Panel (Black)	Groupe D'instr. Bord	Instrumentensatz	Grupo Instrs. Abordo	
7	T101135	1	Auxilliary Panel (Black)	Panneau	Verkblech	Panel	
8	365915X1	7	Screw- No 6 X 16 Lg (Iso 8.8) Zinc	Vis	Schraube	Tornillo	
9	6101590M1	7	Nut "U" M4	Ecrou	Mutter	Tuerca En U	
10	3519935M91	1	4wd Switch Assy	Commutateur Ass.	Schalter Kplt	Contactar	
11	6106194M1	1	Switch Plate 4wheel Brake	Plaque	Platte	Placa	
12	6106195M2	1	Indicator 4 Wheel Brake Lever	Témoin	Anzeige	Indicador	
13	3009542X1	1	Screw Pan Hd.M6 X 45	Vis	Schraube	Tornillo	
14	3516528M1	1	Boss	Bossage	Anschweißauge	Traviesa	
15	390971X1	2	Washer M6-12-1 Zwl	Rondelle - M6	Scheibe - M6	Arandela	
16	3516529M1	1	Spring	Siège De Ressort	Federsitz	Muelle	
17	1441500X1	1	Nut M6 Z5 Nyloc	Ecrou	Flachmutter M6	Tuerca De Retención	
18	3516218M2	4	Screw S/Tapping	Vis	Schraube	Tornillo	
19	6106221M1	1	Decal-4w Brake Select Switch	Adhésif	Aufkleber	Adhesivo	

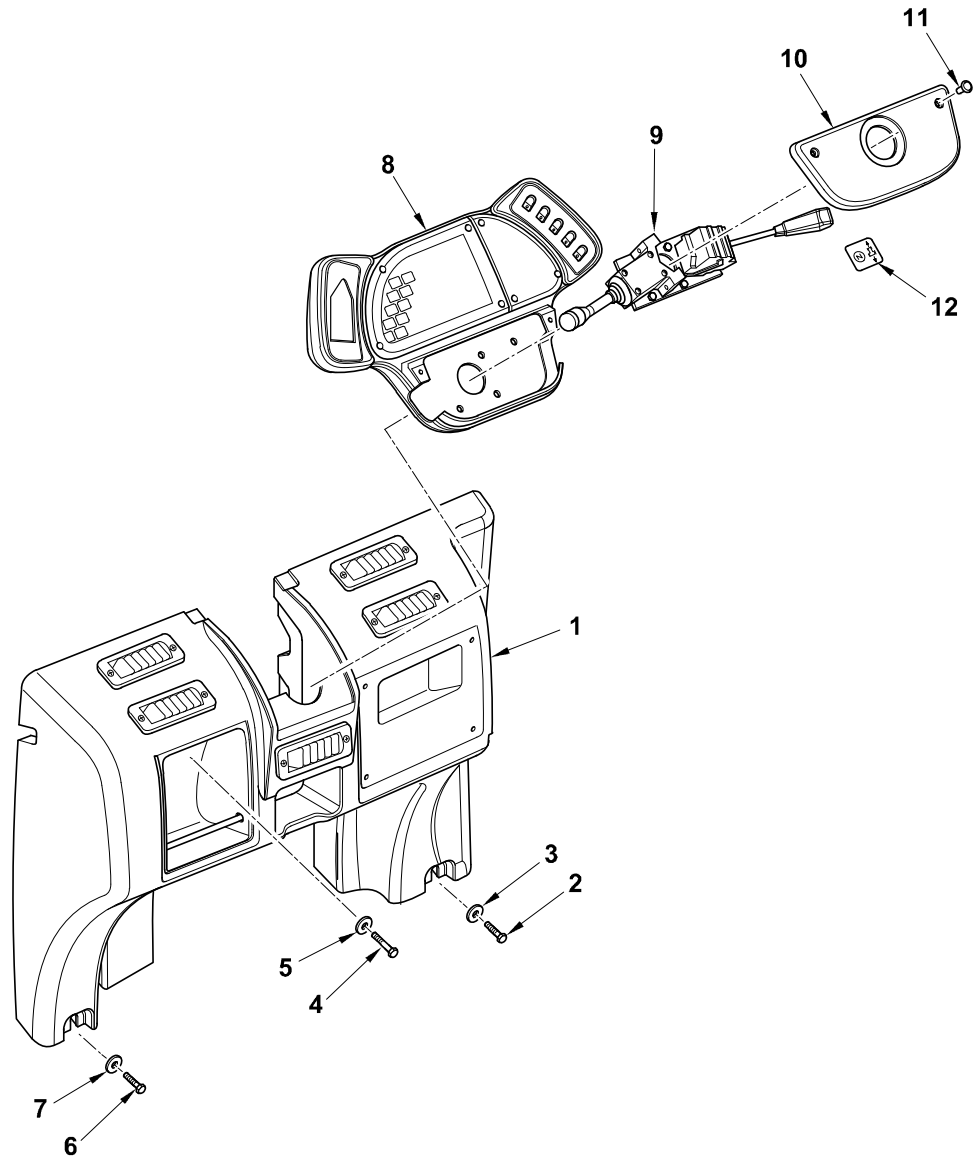
C-55024-04.1-A



Item	Part No.	Qty.	English	French	German	Spanish	Remarks
1	6106398M91	1	Switch Assy. - Forward/Reverse	Commutateur Ass.	Schalter Kplt	Conmutador	
2	3009538X1	2	Screw Pan Hd.M5 X 35	Vis	Schraube	Tornillo	
3	6107120M92	1	Bracket - Switch Mounting	Ensemble Support	Halter Kpl	Cuchara, Conj.	
4	339124X1	6	Bolt M8-16 Z5f	Goupille	Maschschrb Metr - M8	Tornillo	
5	1441494X1	2	Nut, Nyloc - M5	Ecrou Métrique	Mutter Metrisch	Tuerca De Retención	
6	390972X1	3	Washer M8-17-1 Zwl	Rondelle M8	Scheibe - M8	Arandela	
7	3516095M1	1	Switch, Indicators/Horn - Strg. Column	Commutateur	Wählschalter	Conmutador	
8	3007932X1	1	Screw Pan Hd.M5 X 12	Vis	Schraube	Tornillo	
9	3019560X1	2	Washer M5	Rondelle	Scheibe	Arandela	



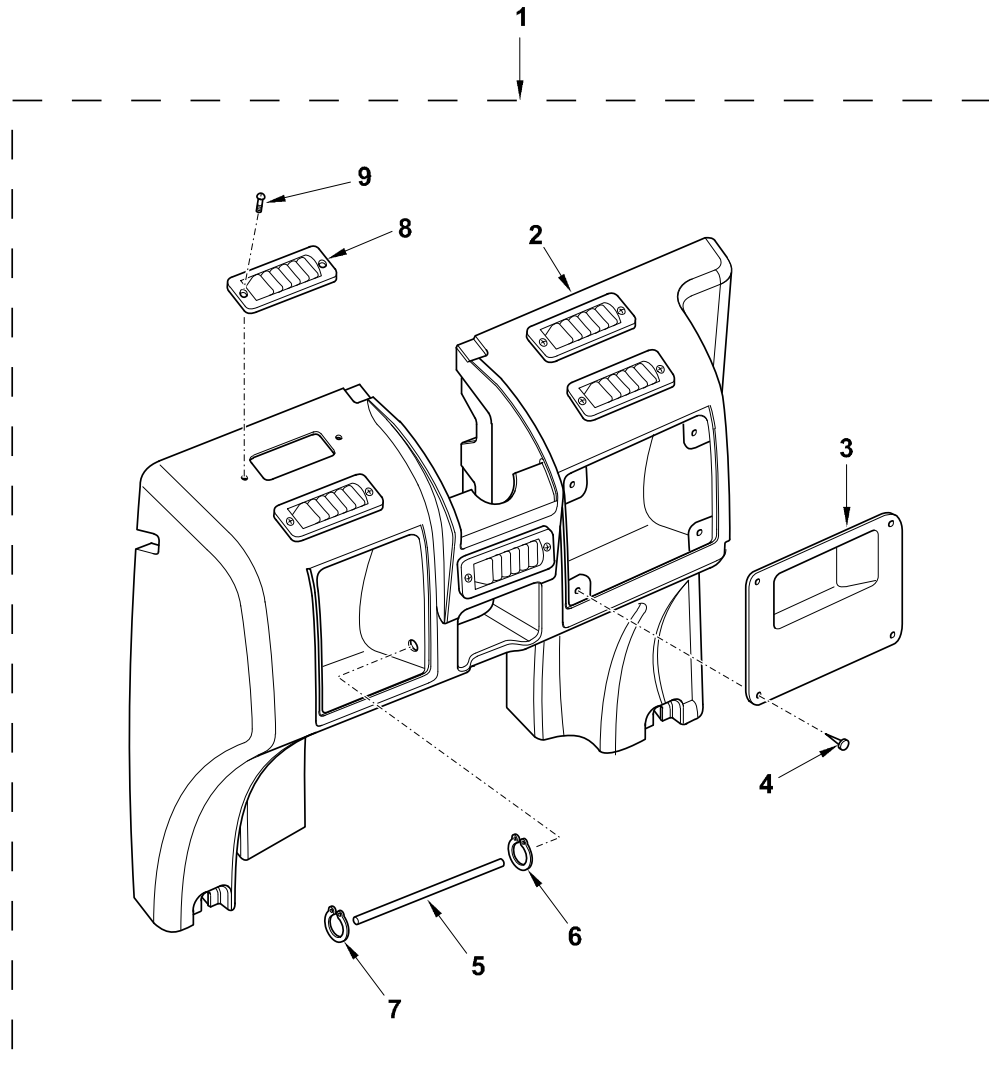
C-55025-01.1-A





Item	Part No.	Qty.	English	French	German	Spanish	Remarks
1	T101127	1	Console Assy Front Lower Cab (Black)	Console	Konsole	Consola	See 55025c02.1
2	#SWITCH, SELECTOR	1	Switch, Selector	Switch, Selector	Switch, Selector	Switch, Selector	See 55025c04.1
3	6101591M1	4	Fastener - "Scrivet"	Rivet	Niete	Remache	
4	#PANEL, INSTRUMENT	1	Panel, Instrument	Panel, Instrument	Panel, Instrument	Panel, Instrument	See 55025c03.1
5	T101130	1	Cover Console Front Upper (Black)	Couvercle	Deckel	Cubierta	
6	339009X1	1	Bolt - M8 X 35	Boulon M8 X 35	Maschschraube M8	Tornillo	
7	6101768M1	1	Washer	Rondelle	Scheibe	Arandela	
8	339123X1	2	Bolt M8-20 Z5f	Boulon M8 X 20	Maschschraube M8	Perno	
9	6101768M1	2	Washer	Rondelle	Scheibe	Arandela	
10	339009X1	1	Bolt - M8 X 35	Boulon M8 X 35	Maschschraube M8	Tornillo	
11	6101768M1	1	Washer	Rondelle	Scheibe	Arandela	
12	6101914M1	1	Decal - Forward / Reverse	Adhésif	Aufkleber	Adhesivo	

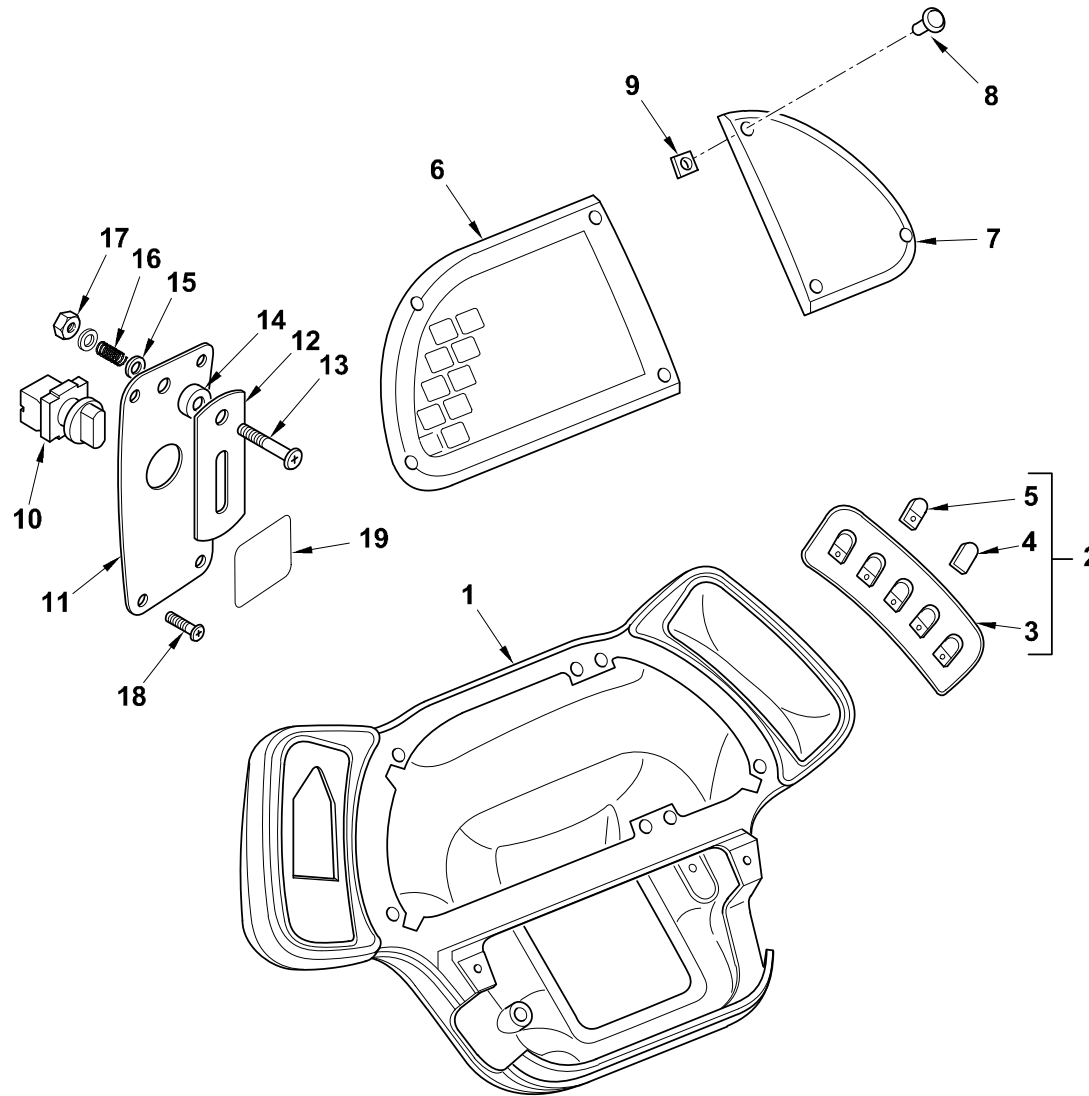
C-55025-02.1-A



Item	Part No.	Qty.	English	French	German	Spanish	Remarks
1	T101127	1	Console Assy Front Lower Cab (Black)	Console	Konsole	Consola	
2	T101128	1	Console Front Lower Cab	Console Front Lower Cab	Console Front Lower Cab	Console Front Lower Cab	
3	T101126	1	Cover (Black)	Couvercle	Deckel	Cubierta	
4	3521303M3	4	Fastener, Plastic - Gear Lever Gaiter	Agrafe	Halteklammer	Enganche	
5	6108289M1	1	Pin-Rops Console Rail	Rail	Schiene	Carril	
6	3000115X1	1	Clip-Spring	Segment D'Arrêt	Sicherungsring	Circlip	
7	3000115X1	1	Clip-Spring	Segment D'Arrêt	Sicherungsring	Circlip	
8	3516231M1	5	Louver Small	Trappe Aération	Luftschlitz	Difusor	
9	3522735M4	10	Screw M3 .5 X 20	Vis Autotaraud	Schneidschraube	Tornillo	



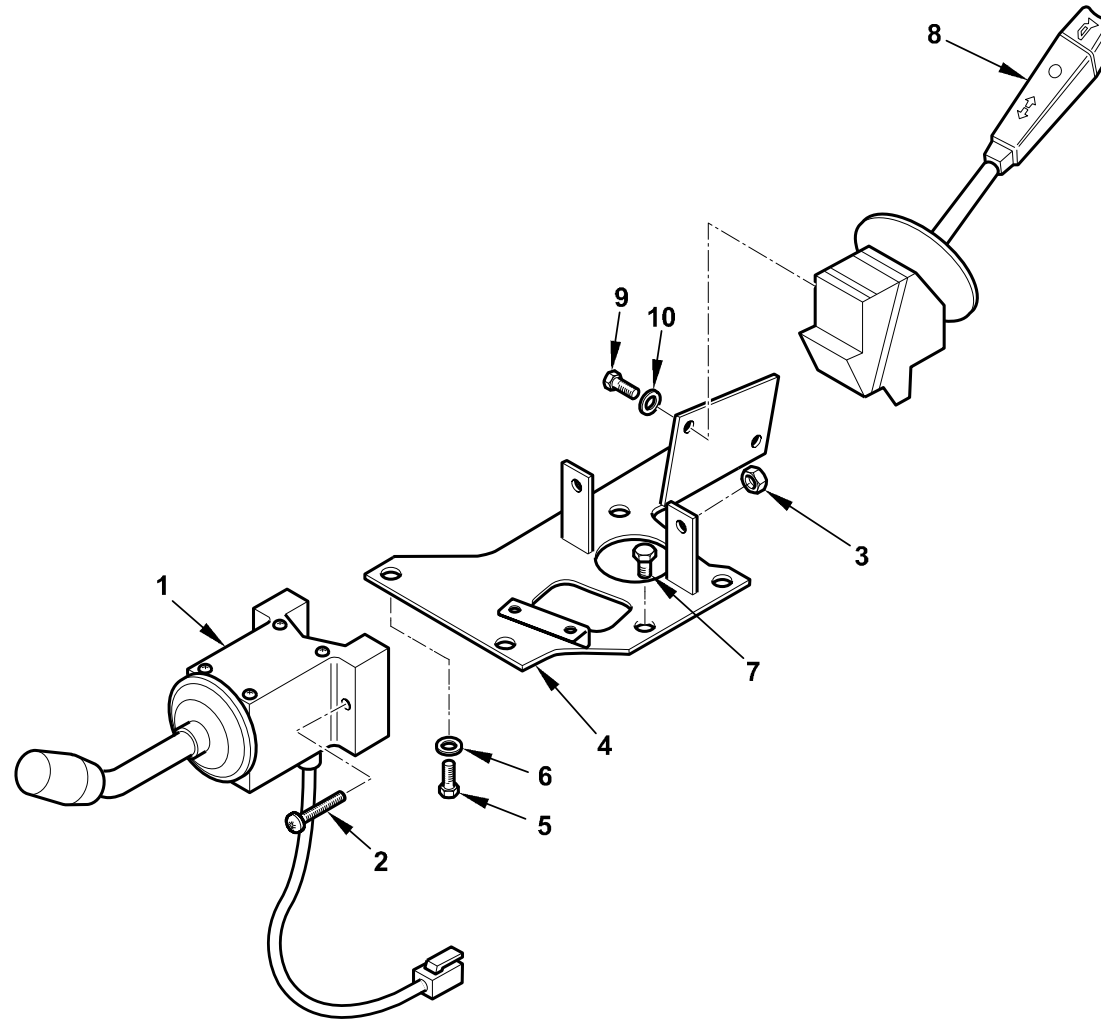
C-55025-03.1-A



Item	Part No.	Qty.	English	French	German	Spanish	Remarks
1	T101129	1	Console - Front Upper (Black)	Console	Konsole	Consola	
2	T101193	1	Switch Pack - RH - Front Console	Paquet De Commut.	Schaltsatz	Paquete De Cambio	
3	#SWITCHPACK	1	Switchpack	Switchpack	Switchpack	Switchpack	Ref. 2
4	T101131	3	Switch Blank (Black)	Couvercle	Deckel	Cubierta	
5	6101777M91	2	Cover Assy. - Switch Operating	Cache	Abdeckung	Tapa	
6	T101133	1	Instrument Panel - Less Speedo (Black Frame)	Table De Bord	Brett, Armaturen	Tablero Instrumentos	
7	T101135	1	Auxilliary Panel (Black)	Panneau	Verklech	Panel	
8	365915X1	7	Screw- No 6 X 16 Lg (Iso 8.8) Zinc	Vis	Schraube	Tornillo	
9	6101590M1	7	Nut "U" M4	Ecrou	Mutter	Tuerca En U	
10	3519935M91	1	4wd Switch Assy	Commutateur Ass.	Schalter Kplt	Contactar	
11	6106194M1	1	Switch Plate 4wheel Brake	Plaque	Platte	Placa	
12	6106195M2	1	Indicator 4 Wheel Brake Lever	Témoin	Anzeige	Indicador	
13	3009542X1	1	Screw Pan Hd.M6 X 45	Vis	Schraube	Tornillo	
14	3516528M1	1	Boss	Bossage	Anschweißauge	Traviesa	
15	390971X1	2	Washer M6-12-1 Zwl	Rondelle - M6	Scheibe - M6	Arandela	
16	3516529M1	1	Spring	Siège De Ressort	Federsitz	Muelle	
17	1441500X1	1	Nut M6 Z5 Nyloc	Ecrou	Flachmutter M6	Tuerca De Retención	
18	3516218M2	4	Screw S/Tapping	Vis	Schraube	Tornillo	
19	6106221M1	1	Decal-4w Brake Select Switch	Adhésif	Aufkleber	Adhesivo	



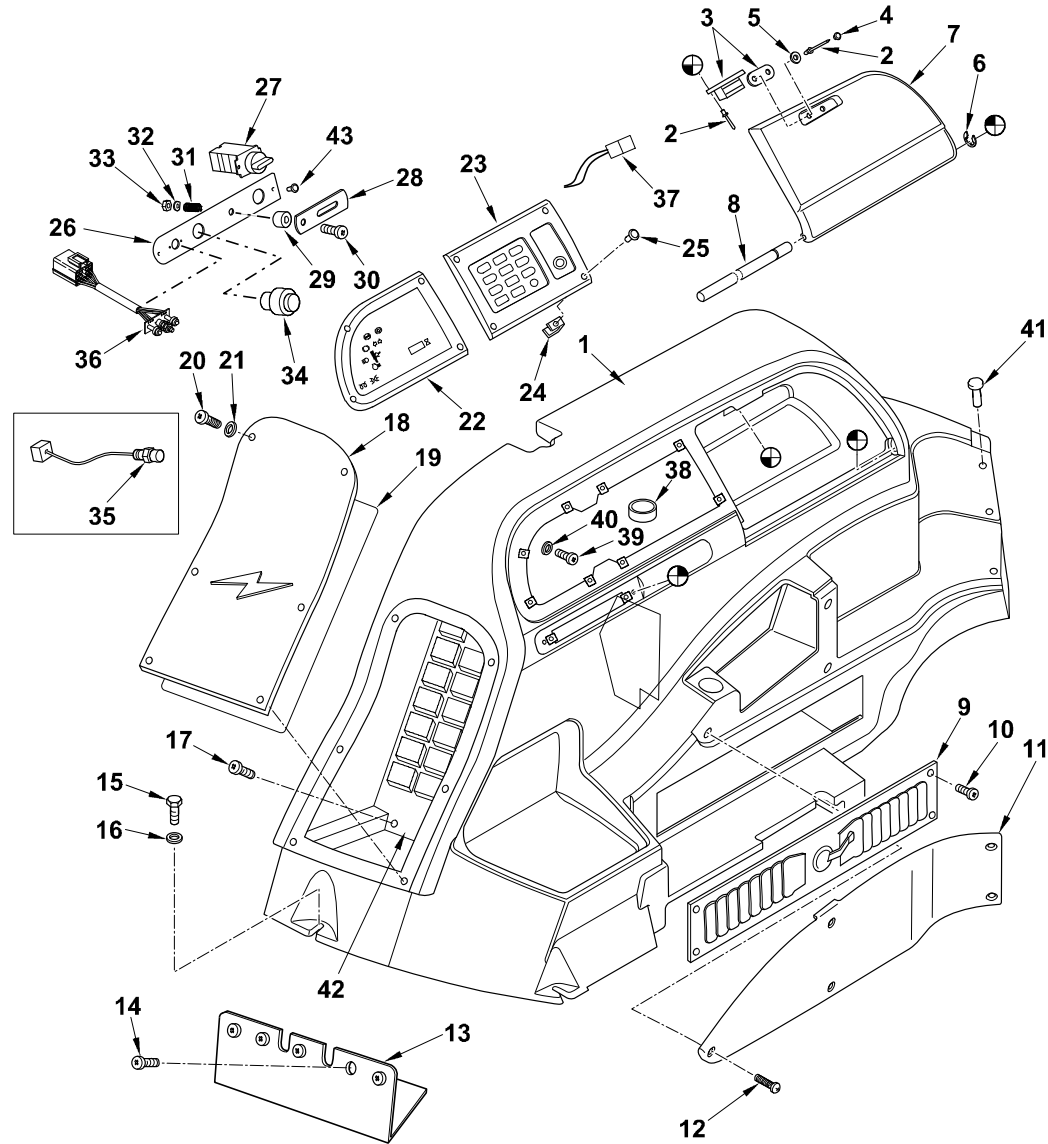
C-55025-04.1-A



Item	Part No.	Qty.	English	French	German	Spanish	Remarks
1	6106398M91	1	Switch Assy. - Forward/Reverse	Commutateur Ass.	Schalter Kplt	Conmutador	
2	3009538X1	2	Screw Pan Hd.M5 X 35	Vis	Schraube	Tornillo	
3	6107120M92	1	Bracket - Switch Mounting	Ensemble Support	Halter Kpl	Cuchara, Conj.	
4	339124X1	6	Bolt M8-16 Z5f	Goupille	Maschschrb Metr - M8	Tornillo	
5	1441494X1	2	Nut, Nyloc - M5	Ecrou Métrique	Mutter Metrisch	Tuerca De Retención	
6	390972X1	3	Washer M8-17-1 Zwl	Rondelle M8	Scheibe - M8	Arandela	
7	3516095M1	1	Switch, Indicators/Horn - Strg. Column	Commutateur	Wählschalter	Conmutador	
8	3007932X1	1	Screw Pan Hd.M5 X 12	Vis	Schraube	Tornillo	
9	3019560X1	2	Washer M5	Rondelle	Scheibe	Arandela	



C-56012-01.1-C

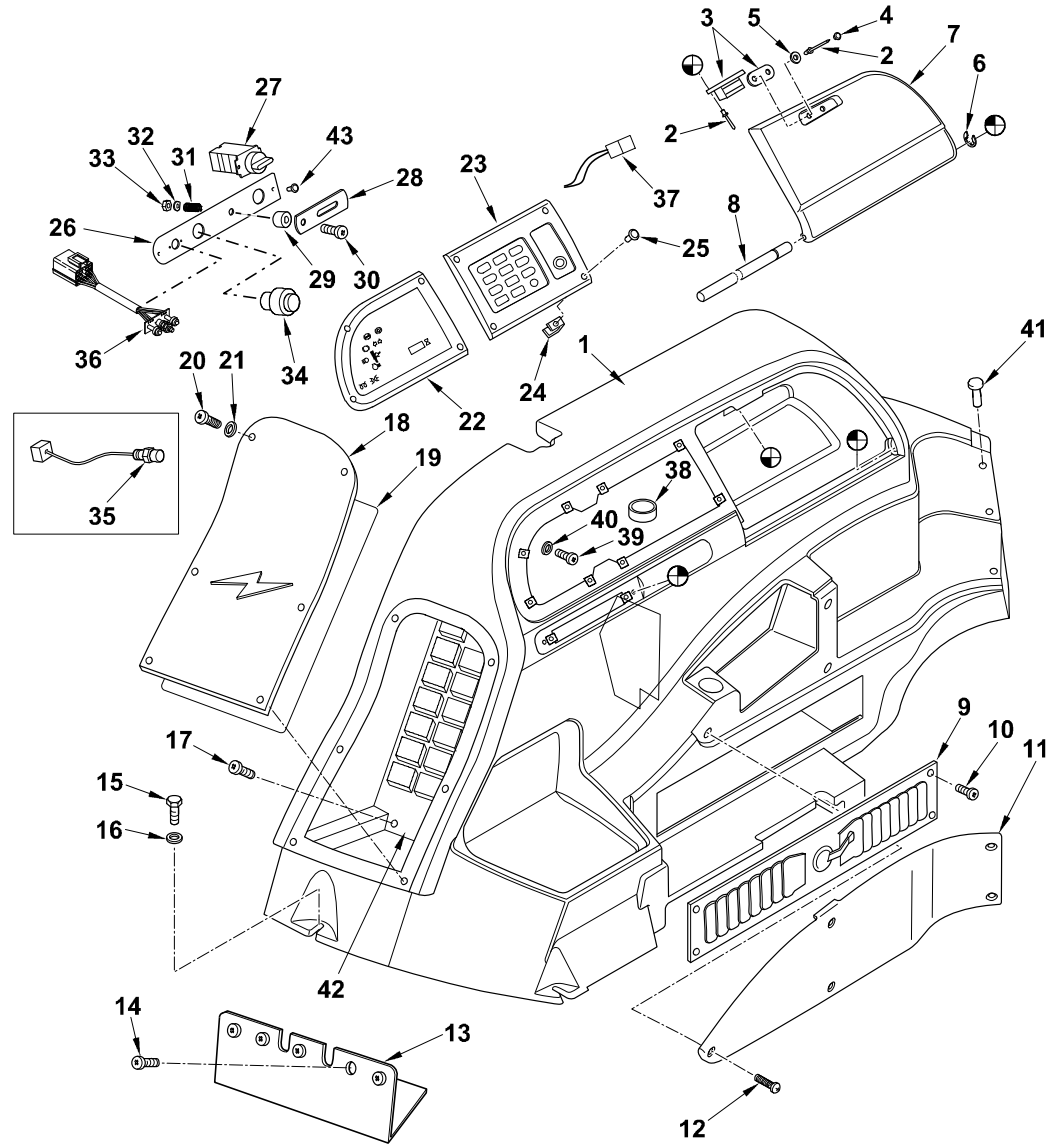




Item	Part No.	Qty.	English	French	German	Spanish	Remarks
1	6101710M94	1	Console-Rh Side - Mechanical	Console	Konsole	Consola	
2	371803X1	4	Rivet-Blind	Rivet	Niete	Remache	
3	6101592M91	1	Catch-Magnetic	Aimant	Magnet	Imán	
4	6101622M1	2	Unicap	Bouchon	Stopfen	Sombbreroete	
5	6101623M1	2	Washer - Unicap	Rondelle	Scheibe	Arandela	
6	3000115X1	1	Clip-Spring	Segment D'Arrêt	Sicherungsring	Circlip	
7	6099520M1	1	Moulding-Glove-Box-Lid	Porte	Tür	Tapa	
8	6101630M1	1	Rod Hinge	Tige Charnière	Gelenkstange	Vástago	
9	6101500M2	1	Louvre-Rh Side Console	Diffuseur	Luftdüse	Rejilla	
10	3522735M4	4	Screw M3 .5 X 20	Vis Autotaraud	Schneidschraube	Tornillo	
11	6099519M1	1	Cover - Handbrake (Grey)	Cache	Abdeckung	Tapa	
12	6101591M1	5	Fastener - "Scrivet"	Rivet	Niete	Remache	
13	6110203M2	1	Bracket - Relay	Patte Fixation	Halter	Pata De Fijación	
14	1472524M2	4	Screw 10-0.62 Ncb1 Pan	Vis	Schraube	Tornillo	
15	339804X1	2	Bolt, Hex, - M6 X 25	Goupille	Maschschrb Metr - M6	Tornillo	
16	3516109M1	2	Washer Fender Spacer	Rondelle	Scheibe	Arandela	
17	1472524M2	2	Screw 10-0.62 Ncb1 Pan	Vis	Schraube	Tornillo	
18	6102584M91	1	Cover Assy Fusebox	Cache	Abdeckung	Tapa, Conj.	
19	6111766M3	1	Decal-Relay/Fuse Board	Decalcomanie	Aufkleber	Calcomania	
20	6110701M1	6	Screw M5 X 25 Lg - Pan Head	Vis	Schraube	Tornillo	
21	3512553M1	6	Washer Large M5	Rondelle - M5	Scheibe - M5	Arandela	
22	6110488M91	1	Instrument Pack - Console Rhs	Groupe D'Instr. De Bord	Instrument Kpl	Grupo Instrs. Abordo	
23	6109511M91	1	Switchpack Side Console Mech S/S	Paquet De Commut.	Schaltatz	Paquete De Cambio	56012c02.1 1
24	6101590M1	8	Nut "U" M4	Ecrou	Mutter	Tuerca En U	
25	365919X1	8	Screw, Pan Head - No. 8 X 16mm	Vis	Schraube	Tornillo	
26	6110012M1	1	Auxiliary Switch Plate - 4ws	Plaque	Platte	Placa	
27	6110002M91	1	Switch Assy 4ws/Crab	Commutateur Ass.	Schalter Kplt	Conmutador, Conj.	
28	6101703M2	1	Switch Guide Plate	Levier	Hebel	Palanca	
29	3516528M1	1	Boss	Bossage	Anschweißauge	Traviesa	
30	3009542X1	1	Screw Pan Hd.M6 X 45	Vis	Schraube	Tornillo	



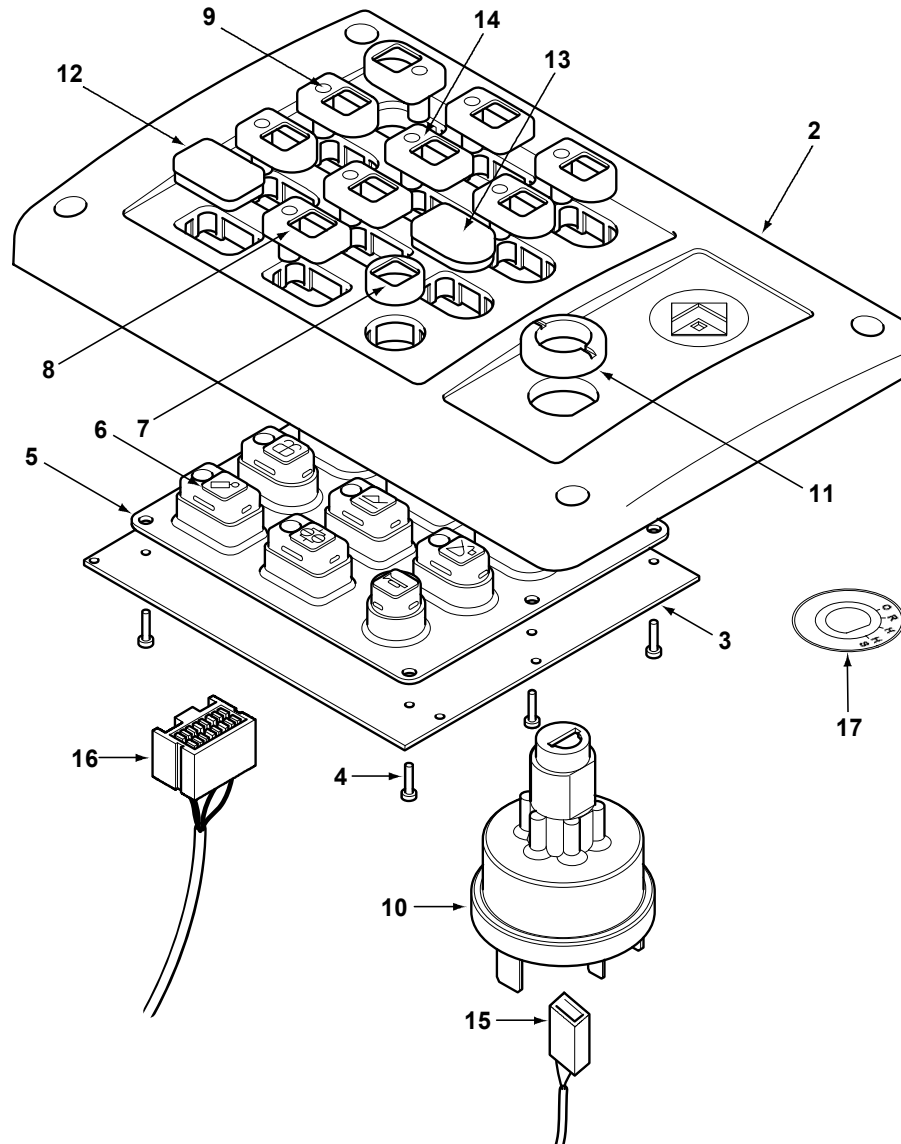
C-56012-01.1-C



Item	Part No.	Qty.	English	French	German	Spanish	Remarks
31	3516529M1	1	Spring	Siège De Ressort	Federsitz	Muelle	
32	390971X1	1	Washer M6-12-1 Zwl	Rondelle - M6	Scheibe - M6	Arandela	
33	1441500X1	1	Nut M6 Z5 Nyloc	Ecrou	Flachmutter M6	Tuerca De Retención	
34	3517053M91	1	Lighter Cigar	Allume-Cigares	Zigarettenanzünder	Encendedor De Cig.	
35	6110862M91	1	Harness - Led 4ws/Crab	Faisceau	Beschirrung	Haz, Conj.	Tba Ec05/262
35	6109850M92	1	Harness Led 4ws/Crab	Ensemble De Faisceau	Kabelstrang Kpl.	Haz, Conj.	Tba
36	6111243M1	1	Led Mount Pcb	Faisceau	Beschirrung	Haz, Conj.	Ec05/262
37	6102229M92	1	Harness-Switchpack Accessory	Ensemble De Faisceau	Kabelstrang Kpl.	Haz, Conj.	
38	6102479M1	1	Bung-Harness Retaining	Passe-Fil	Tülle	Pasa Cable	
39	339560X1	1	Bolt - M6 X 16mm (Hex.)	Boulon M6 X 16	Maschschraube - M6	Tornillo	
40	391038X1	1	Washer M6 - Large Zinc Hardened	Rondelle	Scheibe	Arandela	
41	6101591M1	3	Fastener - "Scrivet"	Rivet	Niete	Remache	
42	#FUSE/RELAY BOARD	1	Fuse/Relay Board	Fuse/Relay Board	Fuse/Relay Board	Fuse/Relay Board	56012c03.1 1
43	365915X1	2	Screw- No 6 X 16 Lg (Iso 8.8) Zinc	Vis	Schraube	Tornillo	



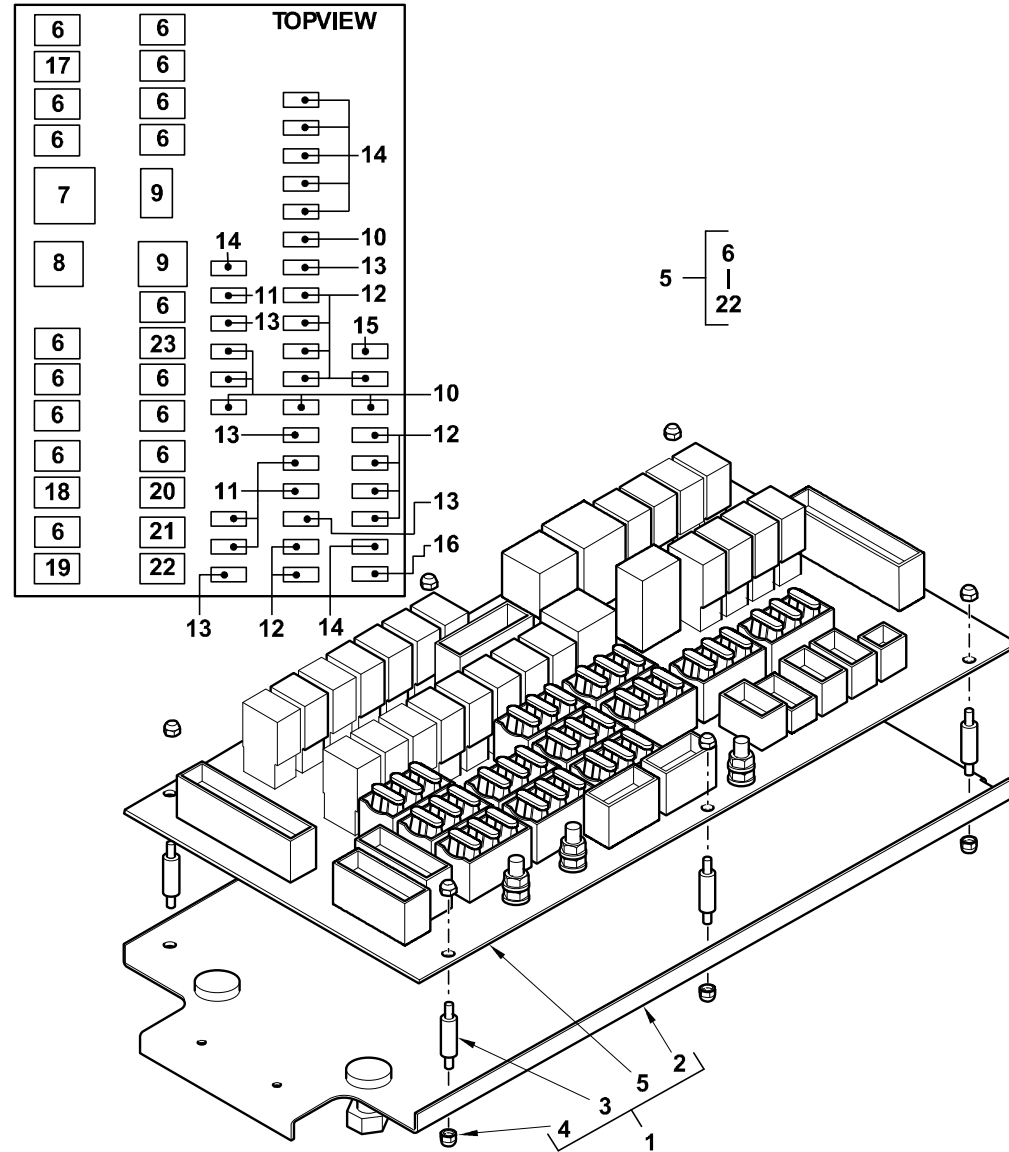
C-56012-02.1-A



Item	Part No.	Qty.	English	French	German	Spanish	Remarks
1	6109511M91	1	Switchpack Side Console Mech S/S	Paquet De Commut.	Schaltsatz	Paquete De Cambio	56012c01.1 23
2	#COVER	1	Cover	Cover	Cover	Cover	Ref. 1
3	#SWITCH ASSY	1	Switch Assy	Switch Assy	Switch Assy	Switch Assy	Ref. 1
4	#SCREW	10	Screw	Vis	Schraube	Tornillo	Ref. 1
5	#SHEET	1	Sheet	Sheet	Sheet	Sheet	Ref. 1
6	#DECAL	1	Decal	Decal	Decal	Decal	Ref. 1
7	6101801M1	1	Cover-Button Round	Cache	Abdeckung	Botón	
8	6101796M91	3	Cover Assy. - Switch Operating	Cache	Abdeckung	Botón	
9	6101777M91	5	Cover Assy. - Switch Operating	Cache	Abdeckung	Tapa	
10	6101809M91	1	Switch Assy Ignition	Commutateur Ass.	Schalter Kplt	Conmutador, Arranq.	
11	6101930M1	1	Nut-Bezel - Ignition Switch H	Monture	Lampenring	Bisel	
12	6101788M1	1	Cover-Switch W/O Legend (Grey)	Cache	Abdeckung	Botón	
13	6101778M1	1	Cover-Switch W/Out Legend (Grey)	Cache	Abdeckung	Tapa	
14	6102603M91	1	Cover-Switch Rectangular	Cache	Abdeckung	Botón	
15	6110158M91	1	Harness - Ignition	Ensemble De Faisceau	Kabelstrang	Haz, Conj.	Ec06/129
15	6110158M92	1	Harness - Ignition	Faisceau	Beschirring	Haz, Conj.	Ec06/129
16	6102300M91	1	Harness-Switchpack-Mechanical	Ensemble De Faisceau	Kabelstrang Kpl.	Haz, Conj.	
17	6110250M2	1	Decal - Ignition	Decalcomanie	Aufkleber	Adhesivo	



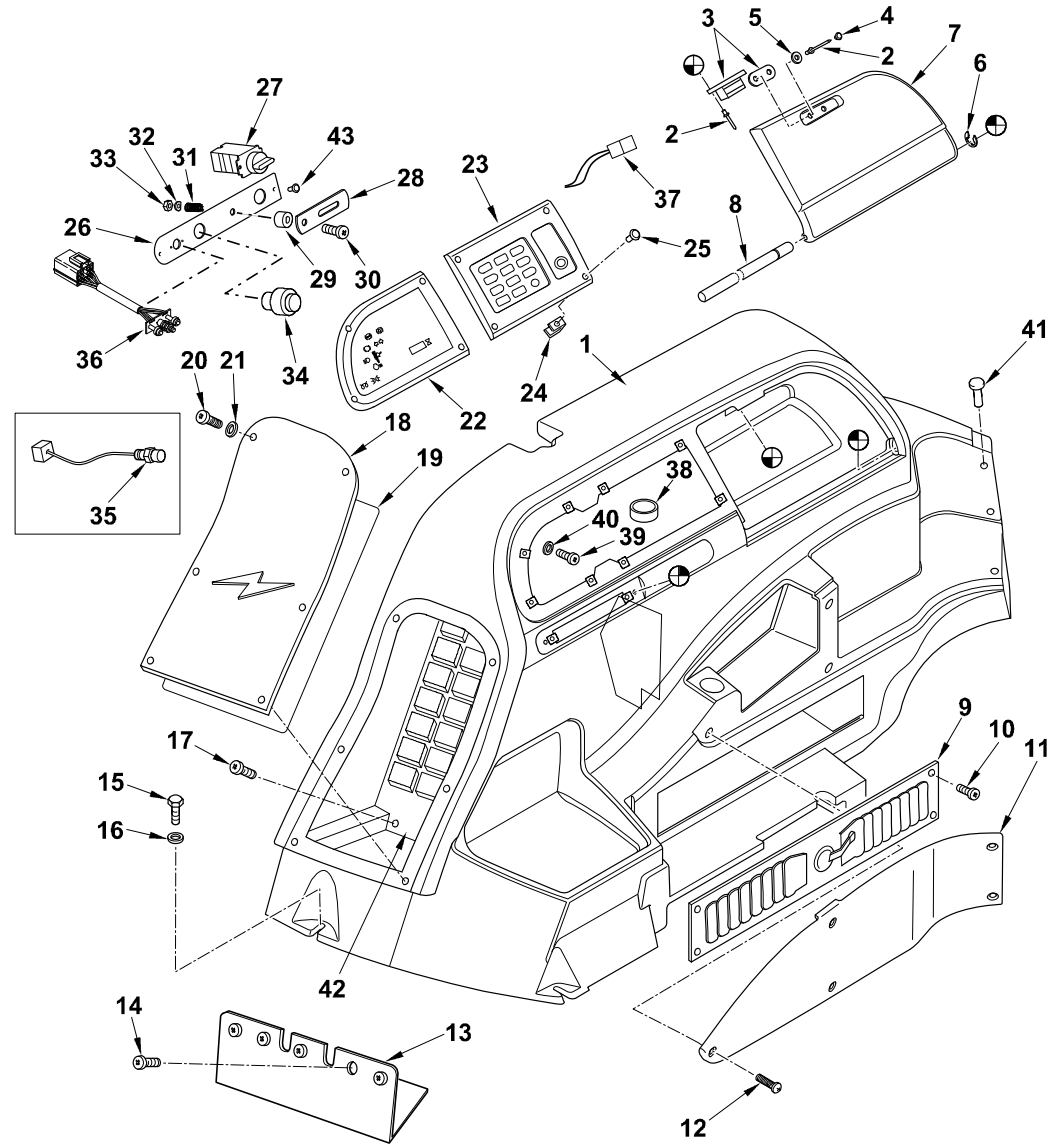
C-56012-03.1-D



Item	Part No.	Qty.	English	French	German	Spanish	Remarks
1	6108707M93	1	Board-Relay/Fuse Assy	Tableau Fusible/Relais	Sicherung / Relaiskarte	Tablero Fusibles/Reles	
2	#PLATE	1	Plate	Plaque	Platte	Plato	Ref.1
3	6102558M1	8	Pillar Nylon	Support De Tableau	Armaturrenbretthalter	Soporte De Panel	
4	3009074X1	16	Nut Nyloc M4	Ecrou	Mutter	Tuerca De Retención	
5	#FUSE/RELAY BOARD	1	Fuse/Relay Board	Fuse/Relay Board	Fuse/Relay Board	Fuse/Relay Board	Ref.1
6	6102490M1	16	Relay-Micro	Relais	Relais	Relé	Micro
7	6108737M1	1	Flasher Unit Relay 12v	Relais Clignot.	Blinkgeber	Rele	Flasher Unit
8	6102648M1	1	Relay-Hazard	Relais	Relais	Relé	Hazard
9	6102496M1	2	Relay-Mini	Relais	Relais	Relé	Mini
10	6108756M1	6	Ato Automotive Fuse 3a 32vdc	Fusible	Sicherung	Fusible	
11	6108757M1	6	Ato Automotive Fuse 5a 32vdc	Fusible - 5a	Sicherung - 5a	Fusible	
12	6108754M1	11	Ato Automotive Fuse 7.5a 32vdc	Fusible	Sicherung	Fusible	
13	3523568M1	5	Fuse, Standard - 10 Amp., Red	Fusible	Sicherung	Fusible	Ec06/225
13	3523568M1	6	Fuse, Standard - 10 Amp., Red	Fusible	Sicherung	Fusible	Ec06/225
14	3523569M1	6	Fuse, Standard - 15 Amp., Blue	Fusible	Sicherung	Fusible	Ec05/215 Ec06/225
14	3523569M1	7	Fuse, Standard - 15 Amp., Blue	Fusible	Sicherung	Fusible	Ec05/215
14	3523569M1	7	Fuse, Standard - 15 Amp., Blue	Fusible	Sicherung	Fusible	Ec06/225
15	3523570M1	1	Fuse, Standard - 20 Amp., Yellow	Fusible	Sicherung	Fusible	Ec05/215
16	3523571M1	1	Fuse, Standard - 25 Amp., Clear	Fusible	Sicherung, 25a	Fusible	
17	#RELAY	1	Relay	Relay	Relay	Relay	Hose Burst
18	#RELAY	1	Relay	Relay	Relay	Relay	Loader Q/Attach
19	#RELAY	1	Relay	Relay	Relay	Relay	Digger Q/Attach
20	#RELAY	1	Relay	Relay	Relay	Relay	4wd
21	#RELAY	1	Relay	Relay	Relay	Relay	Ride Control
22	#RELAY	1	Relay	Relay	Relay	Relay	Hose Burst
23	6114405M1	1	Relay - Micro Diode	Relais	Relais	Rele	



C-56013-01.1-C

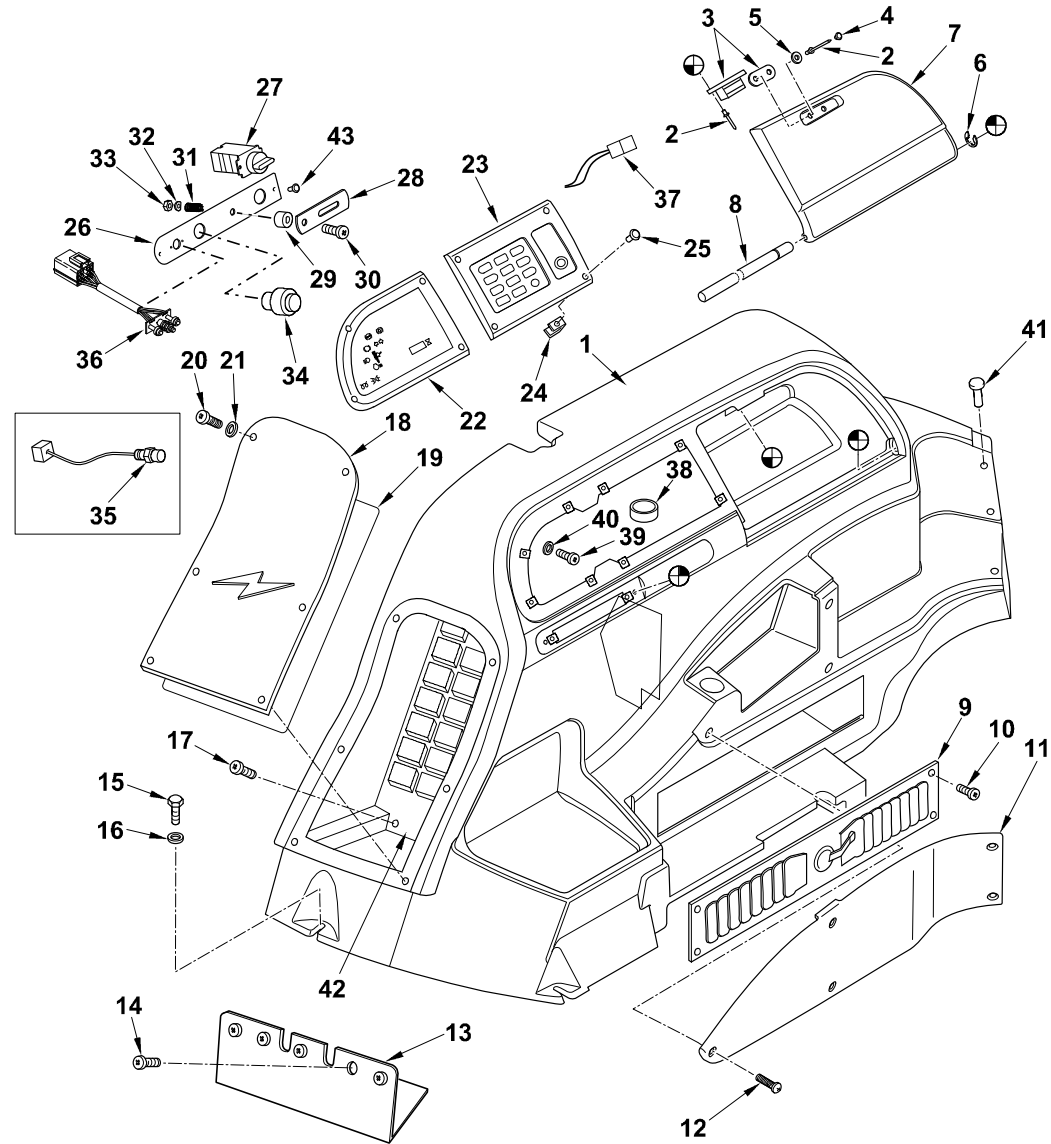




Item	Part No.	Qty.	English	French	German	Spanish	Remarks
1	6101710M94	1	Console-Rh Side - Mechanical	Console	Konsole	Consola	
2	371803X1	4	Rivet-Blind	Rivet	Niete	Remache	
3	6101592M91	1	Catch-Magnetic	Aimant	Magnet	Imán	
4	6101622M1	2	Unicap	Bouchon	Stopfen	Sombbreroete	
5	6101623M1	2	Washer - Unicap	Rondelle	Scheibe	Arandela	
6	3000115X1	1	Clip-Spring	Segment D'Arrêt	Sicherungsring	Circlip	
7	6099520M1	1	Moulding-Glove-Box-Lid	Porte	Tür	Tapa	
8	6101630M1	1	Rod Hinge	Tige Charnière	Gelenkstange	Vástago	
9	6101500M2	1	Louvre-Rh Side Console	Diffuseur	Luftdüse	Rejilla	
10	3522735M4	4	Screw M3 .5 X 20	Vis Autotaraud	Schneidschraube	Tornillo	
11	6099519M1	1	Cover - Handbrake (Grey)	Cache	Abdeckung	Tapa	
12	6101591M1	5	Fastener - "Scrivet"	Rivet	Niete	Remache	
13	6110203M2	1	Bracket - Relay	Patte Fixation	Halter	Pata De Fijación	
14	1472524M2	4	Screw 10-0.62 Ncb1 Pan	Vis	Schraube	Tornillo	
15	339804X1	2	Bolt, Hex, - M6 X 25	Goupille	Maschschrb Metr - M6	Tornillo	
16	3516109M1	2	Washer Fender Spacer	Rondelle	Scheibe	Arandela	
17	1472524M2	2	Screw 10-0.62 Ncb1 Pan	Vis	Schraube	Tornillo	
18	6102584M91	1	Cover Assy Fusebox	Cache	Abdeckung	Tapa, Conj.	
19	6111766M3	1	Decal-Relay/Fuse Board	Decalcomanie	Aufkleber	Calcomania	
20	6110701M1	6	Screw M5 X 25 Lg - Pan Head	Vis	Schraube	Tornillo	
21	3512553M1	6	Washer Large M5	Rondelle - M5	Scheibe - M5	Arandela	
22	6110488M91	1	Instrument Pack - Console Rhs	Groupe D'Instr. De Bord	Instrument Kpl	Grupo Instrs. Abordo	
23	6109509M93	1	Switchpack Side Console Mech Centremount	Paquet De Commut.	Armaturen Brett	Paquete De Cambio	56013c02.1 1
24	6101590M1	8	Nut "U" M4	Ecrou	Mutter	Tuerca En U	
25	365919X1	8	Screw, Pan Head - No. 8 X 16mm	Vis	Schraube	Tornillo	
26	6110012M1	1	Auxiliary Switch Plate - 4ws	Plaque	Platte	Placa	
27	6110002M91	1	Switch Assy 4ws/Crab	Commutateur Ass.	Schalter Kplt	Conmutador, Conj.	
28	6101703M2	1	Switch Guide Plate	Levier	Hebel	Palanca	
29	3516528M1	1	Boss	Bossage	Anschweißauge	Traviesa	
30	3009542X1	1	Screw Pan Hd.M6 X 45	Vis	Schraube	Tornillo	



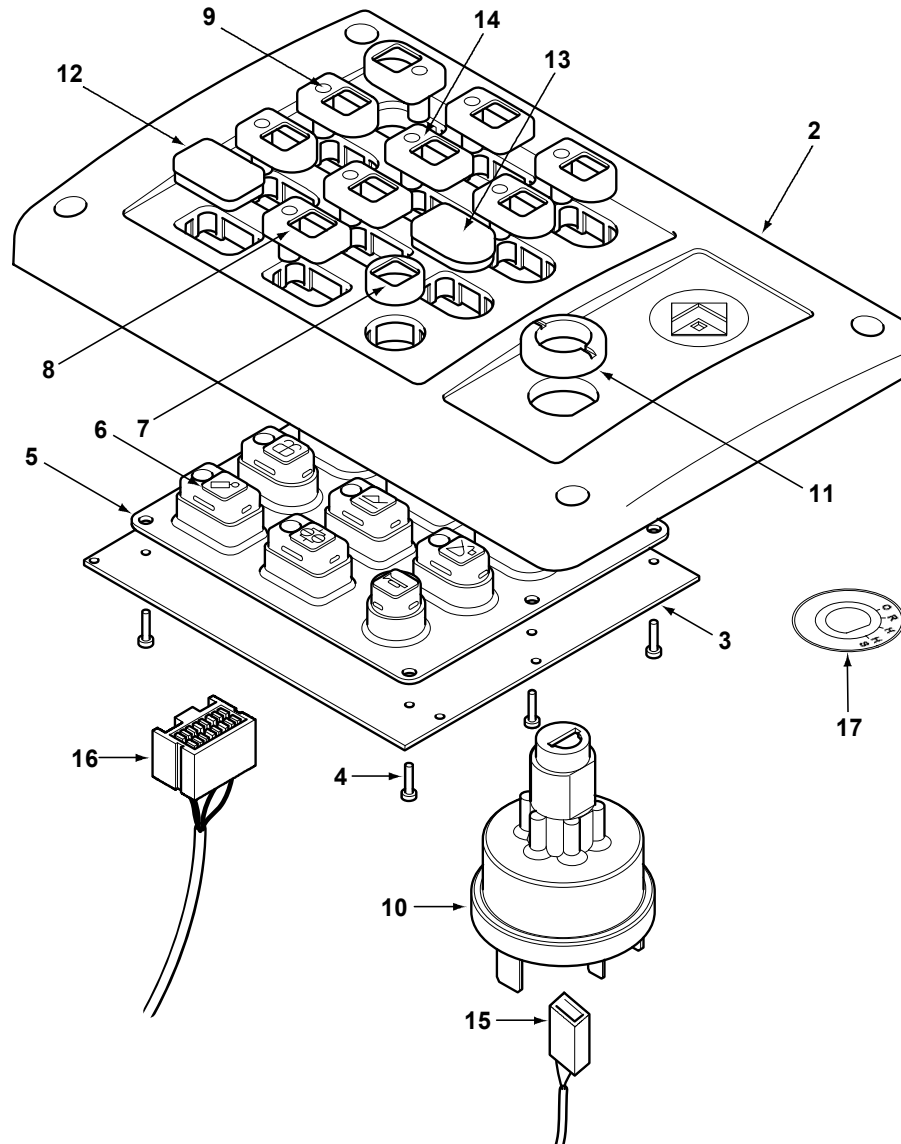
C-56013-01.1-C



Item	Part No.	Qty.	English	French	German	Spanish	Remarks
31	3516529M1	1	Spring	Siège De Ressort	Federsitz	Muelle	
32	390971X1	1	Washer M6-12-1 Zwl	Rondelle - M6	Scheibe - M6	Arandela	
33	1441500X1	1	Nut M6 Z5 Nyloc	Ecrou	Flachmutter M6	Tuerca De Retención	
34	3517053M91	1	Lighter Cigar	Allume-Cigares	Zigarettenanzünder	Encendedor De Cig.	
35	6110862M91	1	Harness - Led 4ws/Crab	Faisceau	Beschirrung	Haz, Conj.	Tba Ec05/262
35	6109850M92	1	Harness Led 4ws/Crab	Ensemble De Faisceau	Kabelstrang Kpl.	Haz, Conj.	Tba
36	6111243M1	1	Led Mount Pcb	Faisceau	Beschirrung	Haz, Conj.	Ec05/262
37	6102229M92	1	Harness-Switchpack Accessory	Ensemble De Faisceau	Kabelstrang Kpl.	Haz, Conj.	
38	6102479M1	1	Bung-Harness Retaining	Passe-Fil	Tülle	Pasa Cable	
39	339560X1	1	Bolt - M6 X 16mm (Hex.)	Boulon M6 X 16	Maschschraube - M6	Tornillo	
40	391038X1	1	Washer M6 - Large Zinc Hardened	Rondelle	Scheibe	Arandela	
41	6101591M1	3	Fastener - "Scrivet"	Rivet	Niete	Remache	
42	#FUSE/RELAY BOARD	1	Fuse/Relay Board	Fuse/Relay Board	Fuse/Relay Board	Fuse/Relay Board	56013c03.1 1
43	365915X1	1	Screw- No 6 X 16 Lg (Iso 8.8) Zinc	Vis	Schraube	Tornillo	



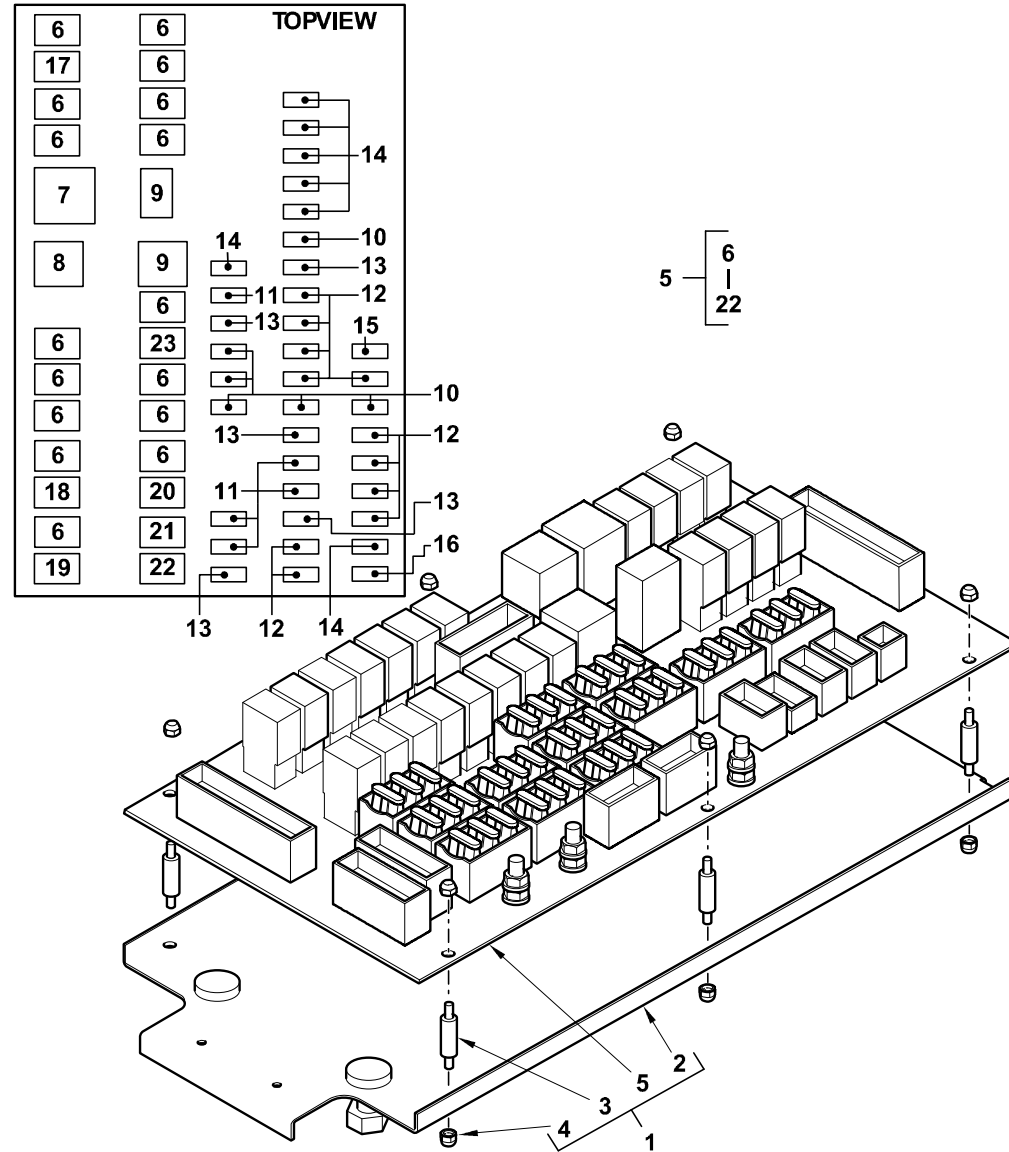
C-56013-02.1-A



Item	Part No.	Qty.	English	French	German	Spanish	Remarks
1	6109509M93	1	Switchpack Side Console Mech Centremount	Paquet De Commut.	Armaturenbrett	Paquete De Cambio	56013c01.1 23
2	#COVER	1	Cover	Cover	Cover	Cover	Ref. 1
3	#SWITCH ASSY	1	Switch Assy	Switch Assy	Switch Assy	Switch Assy	Ref. 1
4	#SCREW	10	Screw	Vis	Schraube	Tornillo	Ref. 1
5	#SHEET	1	Sheet	Sheet	Sheet	Sheet	Ref. 1
6	#DECAL	1	Decal	Decal	Decal	Decal	Ref. 1
7	6101801M1	1	Cover-Button Round	Cache	Abdeckung	Botón	
8	6101796M91	3	Cover Assy. - Switch Operating	Cache	Abdeckung	Botón	
9	6101777M91	5	Cover Assy. - Switch Operating	Cache	Abdeckung	Tapa	
10	6101809M91	1	Switch Assy Ignition	Commutateur Ass.	Schalter Kplt	Conmutador, Arranq.	
11	6101930M1	1	Nut-Bezel - Ignition Switch H	Monture	Lampenring	Bisel	
12	6101788M1	1	Cover-Switch W/O Legend (Grey)	Cache	Abdeckung	Botón	
13	6101778M1	1	Cover-Switch W/Out Legend (Grey)	Cache	Abdeckung	Tapa	
14	6102603M91	1	Cover-Switch Rectangular	Cache	Abdeckung	Botón	
15	6110158M92	1	Harness - Ignition	Faisceau	Beschirrung	Haz, Conj.	Ec06/129
15	6110158M91	1	Harness - Ignition	Ensemble De Faisceau	Kabelstrang	Haz, Conj.	Ec06/129
16	6102300M91	1	Harness-Switchpack-Mechanical	Ensemble De Faisceau	Kabelstrang Kpl.	Haz, Conj.	
17	6110250M2	1	Decal - Ignition	Decalcomanie	Aufkleber	Adhesivo	



C-56013-03.1-D



Item	Part No.	Qty.	English	French	German	Spanish	Remarks
1	6108707M93	1	Board-Relay/Fuse Assy	Tableau Fusible/Relais	Sicherung / Relaiskarte	Tablero Fusibles/Reles	
2	#PLATE	1	Plate	Plaque	Platte	Plato	Ref.1
3	6102558M1	8	Pillar Nylon	Support De Tableau	Armaturrebretthalter	Soporte De Panel	
4	3009074X1	16	Nut Nyloc M4	Ecrou	Mutter	Tuerca De Retención	
5	#FUSE/RELAY BOARD	1	Fuse/Relay Board	Fuse/Relay Board	Fuse/Relay Board	Fuse/Relay Board	Ref.1
6	6102490M1	16	Relay-Micro	Relais	Relais	Relé	Micro
7	6108737M1	1	Flasher Unit Relay 12v	Relais Clignot.	Blinkgeber	Rele	Flasher Unit
8	6102648M1	1	Relay-Hazard	Relais	Relais	Relé	Hazard
9	6102496M1	2	Relay-Mini	Relais	Relais	Relé	Mini
10	6108756M1	6	Ato Automotive Fuse 3a 32vdc	Fusible	Sicherung	Fusible	
11	6108757M1	6	Ato Automotive Fuse 5a 32vdc	Fusible - 5a	Sicherung - 5a	Fusible	
12	6108754M1	11	Ato Automotive Fuse 7.5a 32vdc	Fusible	Sicherung	Fusible	
13	3523568M1	5	Fuse, Standard - 10 Amp., Red	Fusible	Sicherung	Fusible	Ec06/225
13	3523568M1	6	Fuse, Standard - 10 Amp., Red	Fusible	Sicherung	Fusible	Ec06/225
14	3523569M1	6	Fuse, Standard - 15 Amp., Blue	Fusible	Sicherung	Fusible	Ec05/215 Ec06/225
14	3523569M1	7	Fuse, Standard - 15 Amp., Blue	Fusible	Sicherung	Fusible	Ec05/215
14	3523569M1	7	Fuse, Standard - 15 Amp., Blue	Fusible	Sicherung	Fusible	Ec06/225
15	3523570M1	1	Fuse, Standard - 20 Amp., Yellow	Fusible	Sicherung	Fusible	Ec05/215
16	3523571M1	1	Fuse, Standard - 25 Amp., Clear	Fusible	Sicherung, 25a	Fusible	
17	#RELAY	1	Relay	Relay	Relay	Relay	Hose Burst
18	#RELAY	1	Relay	Relay	Relay	Relay	Loader Q/Attach
19	#RELAY	1	Relay	Relay	Relay	Relay	Digger Q/Attach
20	#RELAY	1	Relay	Relay	Relay	Relay	4wd
21	#RELAY	1	Relay	Relay	Relay	Relay	Ride Control
22	#RELAY	1	Relay	Relay	Relay	Relay	Hose Burst
23	6114405M1	1	Relay - Micro Diode	Relais	Relais	Rele	

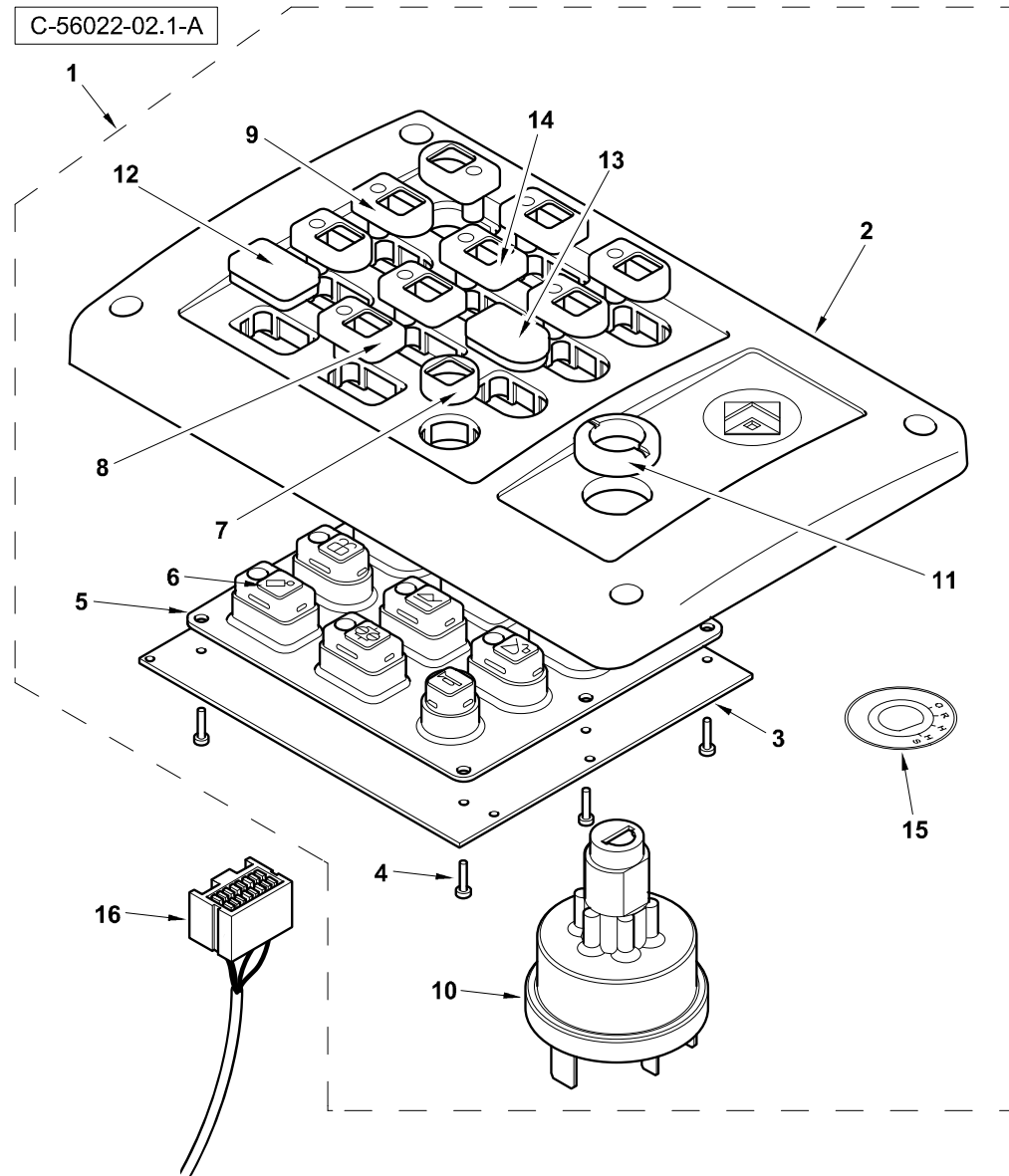
THIS PAGE INTENTIONALLY LEFT BLANK





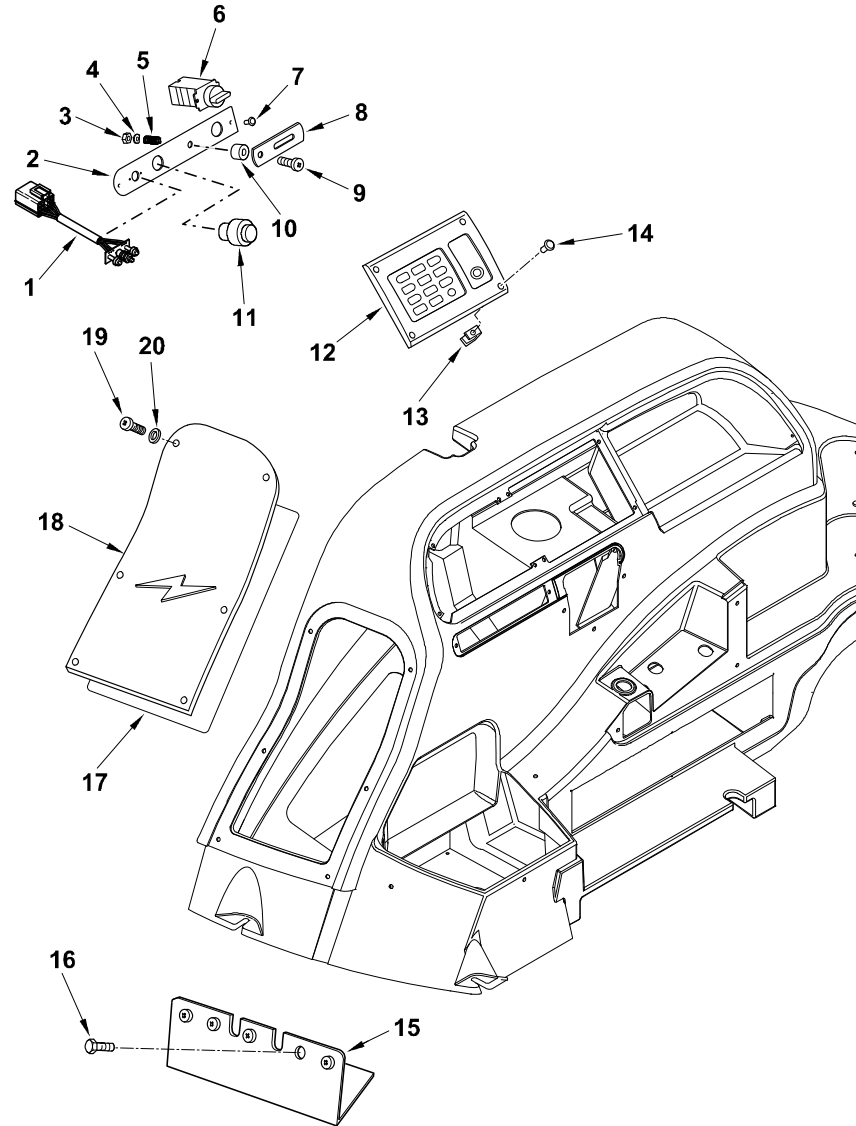
Item	Part No.	Qty.	English	French	German	Spanish	Remarks
1	6111243M1	1	Led Mount Pcb	Faisceau	Beschirrung	Haz, Conj.	
2	6110012M1	1	Auxiliary Switch Plate - 4ws	Plaque	Platte	Placa	
3	1441500X1	1	Nut M6 Z5 Nylloc	Ecrou	Flachmutter M6	Tuerca De Retención	
4	390971X1	1	Washer M6-12-1 Zwel	Rondelle - M6	Scheibe - M6	Arandela	
5	3516529M1	1	Spring	Siège De Ressort	Federsitz	Muelle	
6	6110002M91	1	Switch Assy 4ws/Crab	Commutateur Ass.	Schalter Kplt	Conmutador, Conj.	
7	365915X1	2	Screw- No 6 X 16 Lg (Iso 8.8) Zinc	Vis	Schraube	Tornillo	
8	6101703M2	1	Switch Guide Plate	Levier	Hebel	Palanca	
9	3009542X1	1	Screw Pan Hd.M6 X 45	Vis	Schraube	Tornillo	
10	3516528M1	1	Boss	Bossage	Anschweißauge	Traviesa	
11	3517053M91	1	Lighter Cigar	Allume-Cigares	Zigarettenanzünder	Encendedor De Cig.	
12	T101139	1	Switchpack Side Console (Black)	Paquet De Commut.	Schaltsatz	Paquete De Cambio	
13	6101590M2	6	U-Nut No.8	U-Nut No.8	U-Nut No.8	U-Nut No.8	
14	365919X1	4	Screw, Pan Head - No. 8 X 16mm	Vis	Schraube	Tornillo	
15	6110203M2	1	Bracket - Relay	Patte Fixation	Halter	Pata De Fijación	
16	1472524M2	6	Screw 10-0.62 Ncb1 Pan	Vis	Schraube	Tornillo	
17	6111766M3	1	Decal-Relay/Fuse Board	Decalcomanie	Aufkleber	Calcomania	
18	6102584M91	1	Cover Assy Fusebox	Cache	Abdeckung	Tapa, Conj.	
19	6110701M1	6	Screw M5 X 25 Lg - Pan Head	Vis	Schraube	Tornillo	
20	3512553M1	6	Washer Large M5	Rondelle - M5	Scheibe - M5	Arandela	



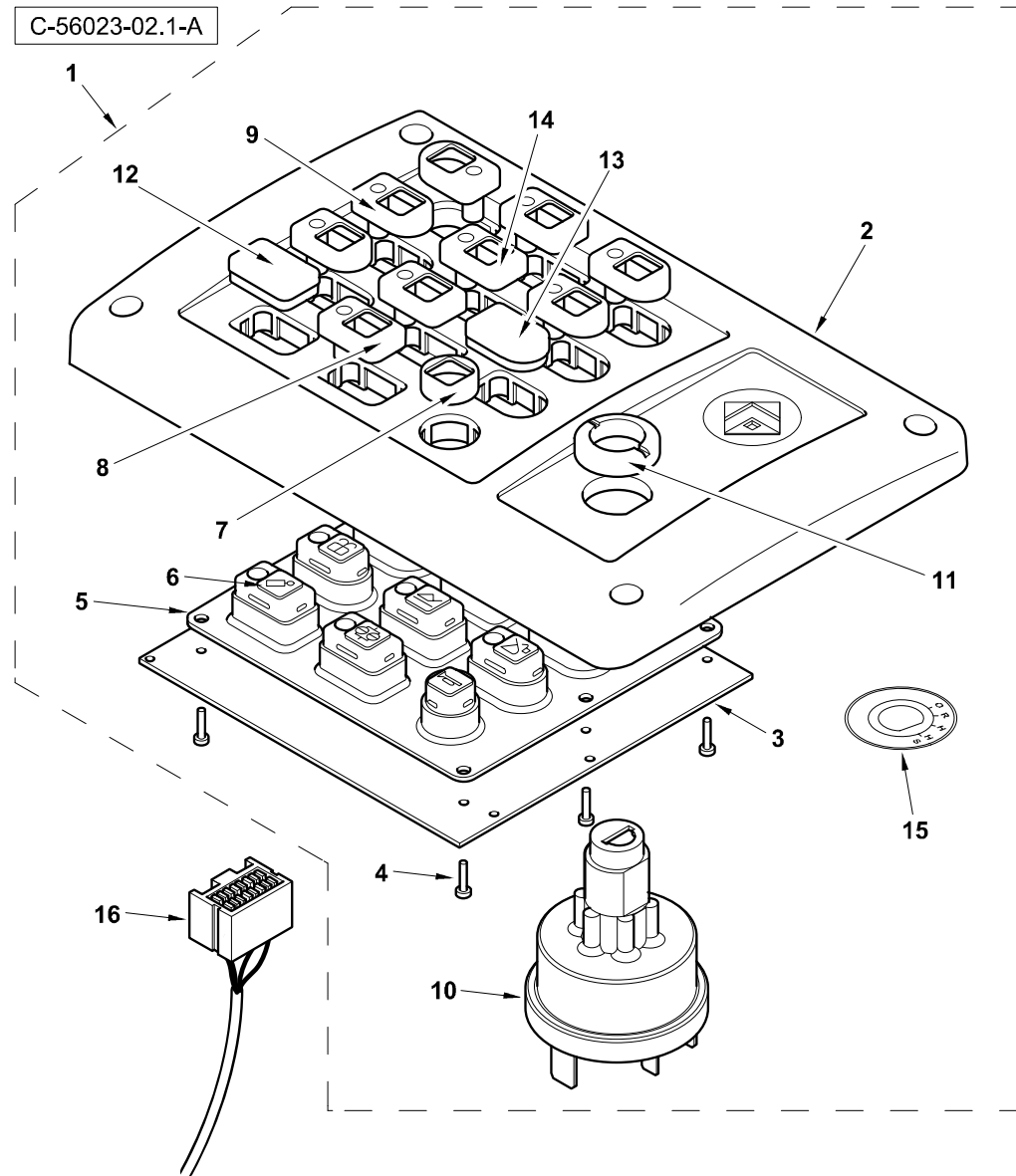


Item	Part No.	Qty.	English	French	German	Spanish	Remarks
1	T101139	1	Switchpack Side Console (Black)	Paquet De Commut.	Schaltsatz	Paquete De Cambio	
2	T101137	1	Switchpack Moulding	Switchpack Moulding	Switchpack Moulding	Switchpack Moulding	
3	6108667M91	1	Pcb-Side Console	Pcb-Side Console	Pcb-Side Console	Pcb-Side Console	
4	6101855M1	10	Screw-Tapping-Self	Screw-Tapping-Self	Screw-Tapping-Self	Screw-Tapping-Self	
5	6102477M1	1	Screenprint Ss Mechanical	Screenprint Ss Mechanical	Screenprint Ss Mechanical	Screenprint Ss Mechanical	
6	#DECAL	1	Decal	Decal	Decal	Decal	
7	6101801M1	1	Cover-Button Round	Cache	Abdeckung	Botón	
8	6101796M91	3	Cover Assy. - Switch Operating	Cache	Abdeckung	Botón	
9	6101777M91	5	Cover Assy. - Switch Operating	Cache	Abdeckung	Tapa	
10	6101809M91	1	Switch Assy Ignition	Commutateur Ass.	Schalter Kplt	Conmutador, Arranq.	
11	6101930M1	1	Nut-Bezel - Ignition Switch H	Monture	Lampenring	Bisel	
12	T101138	1	Blank Cap (Black)	Bouton	Knopftaste	Pulsador	
13	T101131	1	Switch Blank (Black)	Couvercle	Deckel	Cubierta	
14	6102603M91	1	Cover-Switch Rectangular	Cache	Abdeckung	Botón	
15	6110250M2	1	Decal - Ignition	Decalcomanie	Aufkleber	Adhesivo	
16	6102300M91	1	Harness-Switchpack-Mechanical	Ensemble De Faisceau	Kabelstrang Kpl.	Haz, Conj.	

C-56023-01.1-A

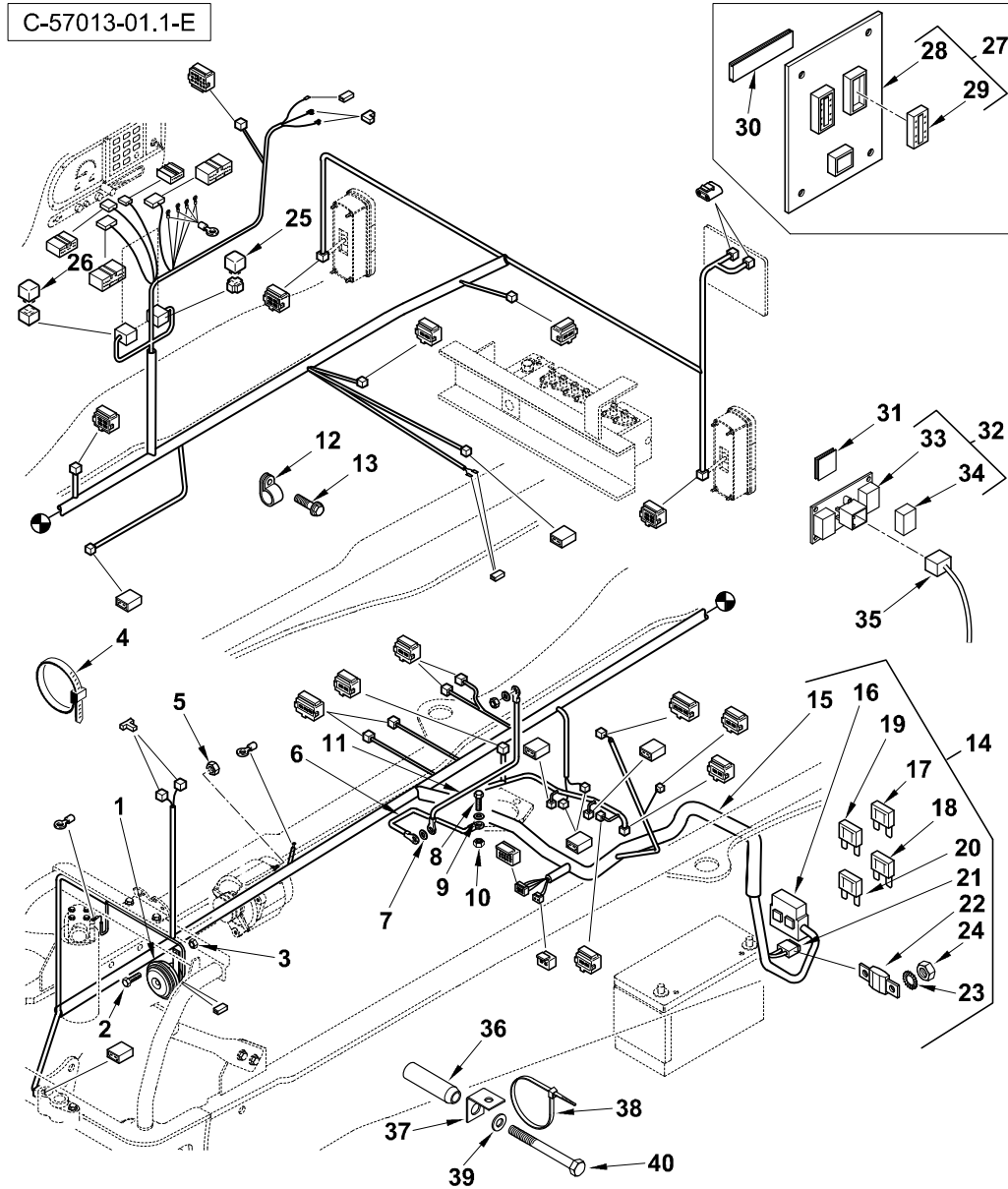


Item	Part No.	Qty.	English	French	German	Spanish	Remarks
1	6111243M1	1	Led Mount Pcb	Faisceau	Beschirrung	Haz, Conj.	
2	6110012M1	1	Auxiliary Switch Plate - 4ws	Plaque	Platte	Placa	
3	1441500X1	1	Nut M6 Z5 Nyloc	Ecrou	Flachmutter M6	Tuerca De Retención	
4	390971X1	1	Washer M6-12-1 Zwel	Rondelle - M6	Scheibe - M6	Arandela	
5	3516529M1	1	Spring	Siège De Ressort	Federsitz	Muelle	
6	6110002M91	1	Switch Assy 4ws/Crab	Commutateur Ass.	Schalter Kplt	Conmutador, Conj.	
7	365915X1	2	Screw- No 6 X 16 Lg (Iso 8.8) Zinc	Vis	Schraube	Tornillo	
8	6101703M2	1	Switch Guide Plate	Levier	Hebel	Palanca	
9	3009542X1	1	Screw Pan Hd.M6 X 45	Vis	Schraube	Tornillo	
10	3516528M1	1	Boss	Bossage	Anschweißauge	Traviesa	
11	3517053M91	1	Lighter Cigar	Allume-Cigares	Zigarettenanzünder	Encendedor De Cig.	
12	T101136	1	Switchpack Side Console C/M - (Black)	Paquet De Commut.	Schaltsatz	Paquete De Cambio	
13	6101590M2	6	U-Nut No.8	U-Nut No.8	U-Nut No.8	U-Nut No.8	
14	365919X1	4	Screw, Pan Head - No. 8 X 16mm	Vis	Schraube	Tornillo	
15	6110203M2	1	Bracket - Relay	Patte Fixation	Halter	Pata De Fijación	
16	1472524M2	6	Screw 10-0.62 Ncb1 Pan	Vis	Schraube	Tornillo	
17	6111766M3	1	Decal-Relay/Fuse Board	Decalcomanie	Aufkleber	Calcomania	
18	6102584M91	1	Cover Assy Fusebox	Cache	Abdeckung	Tapa, Conj.	
19	6110701M1	6	Screw M5 X 25 Lg - Pan Head	Vis	Schraube	Tornillo	
20	3512553M1	6	Washer Large M5	Rondelle - M5	Scheibe - M5	Arandela	



Item	Part No.	Qty.	English	French	German	Spanish	Remarks
1	T101136	1	Switchpack Side Console C/M - (Black)	Paquet De Commut.	Schaltsatz	Paquete De Cambio	
2	T101137	1	Switchpack Moulding	Switchpack Moulding	Switchpack Moulding	Switchpack Moulding	
3	6108661M93	1	Pcb-Side Console	Pcb-Side Console	Pcb-Side Console	Pcb-Side Console	
4	6101855M1	10	Screw-Tapping-Self	Screw-Tapping-Self	Screw-Tapping-Self	Screw-Tapping-Self	
5	6102478M1	1	Screenprint Cm Mechanical	Screenprint Cm Mechanical	Screenprint Cm Mechanical	Screenprint Cm Mechanical	
6	#DECAL	1	Decal	Decal	Decal	Decal	
7	6101801M1	1	Cover-Button Round	Cache	Abdeckung	Botón	
8	6101796M91	3	Cover Assy. - Switch Operating	Cache	Abdeckung	Botón	
9	6101777M91	5	Cover Assy. - Switch Operating	Cache	Abdeckung	Tapa	
10	6101809M91	1	Switch Assy Ignition	Commutateur Ass.	Schalter Kplt	Conmutador, Arranq.	
11	6101930M1	1	Nut-Bezel - Ignition Switch H	Monture	Lampenring	Bisel	
12	T101138	1	Blank Cap (Black)	Bouton	Knopftaste	Pulsador	
13	T101131	1	Switch Blank (Black)	Couvercle	Deckel	Cubierta	
14	6102603M91	1	Cover-Switch Rectangular	Cache	Abdeckung	Botón	
15	6110250M2	1	Decal - Ignition	Decalcomanie	Aufkleber	Adhesivo	
16	6102300M91	1	Harness-Switchpack-Mechanical	Ensemble De Faisceau	Kabelstrang Kpl.	Haz, Conj.	

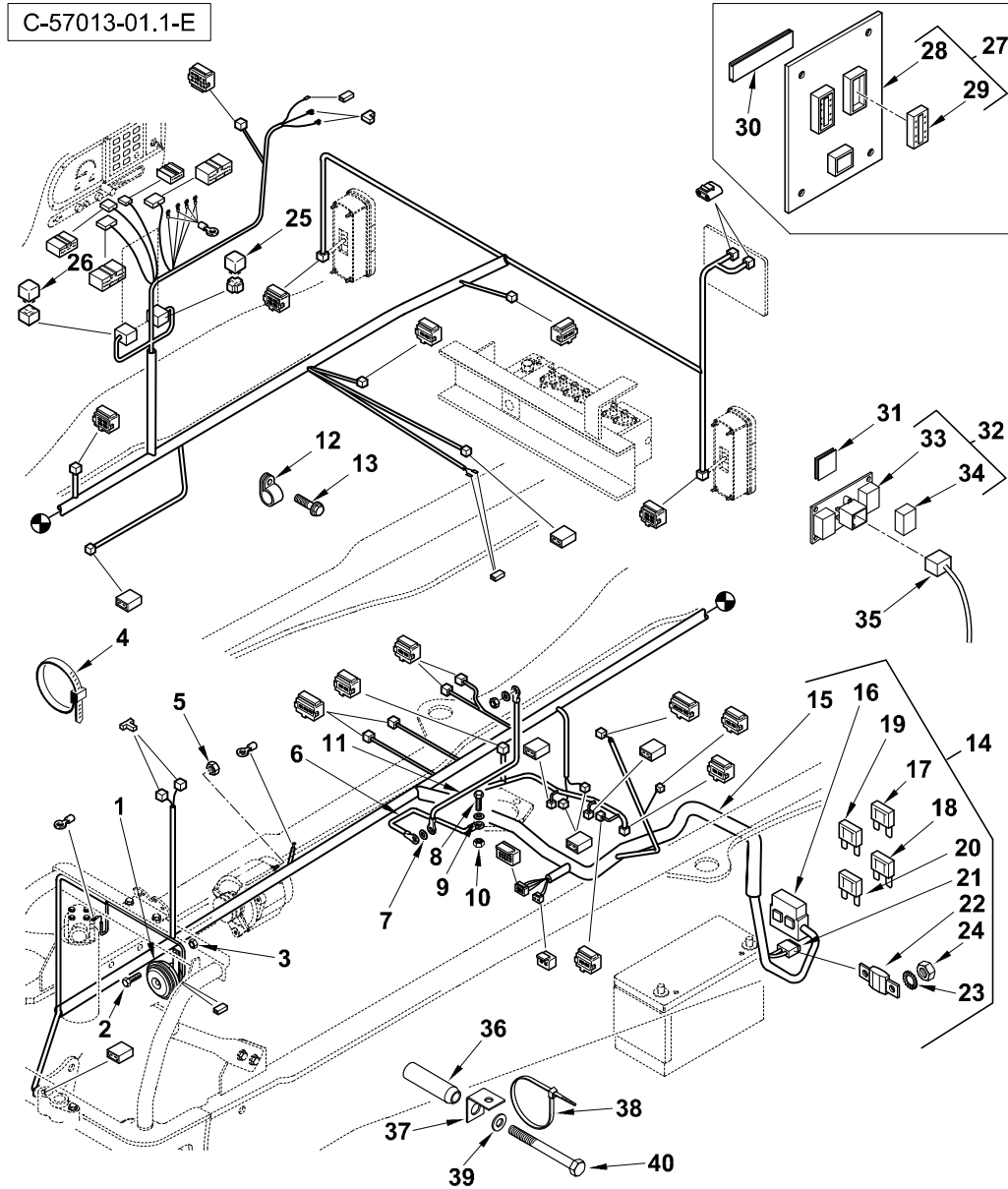






Item	Part No.	Qty.	English	French	German	Spanish	Remarks
1	6108843M1	1	Horn Assy	Avertisseur	Hupe	Alarma Sonora	
2	339124X1	1	Bolt M8-16 Z5f	Goupille	Maschschrb Metr - M8	Tornillo	
3	394367X1	1	Nut, Hex. - Nyloc, M8	Ecrou Blocage M8	Flachmutter - M8	Tuerca De Retención	
4	1664405M1	0	Tie Mm T50s	Attache Cable	Kabelbinder	Enlace De Cable	
5	1441500X1	1	Nut M6 Z5 Nyloc	Ecrou	Flachmutter M6	Tuerca De Retención	
6	6101483M92	1	Earth Strap	Fil De Masse	Masseleitung	Cable De Masa	
7	390735X1	1	Washer M12-24-2 Z	Rondelle	Scheibe - M12	Arandela	
8	3009508X1	1	Bolt M12-40 Z5f	Goupille	Bolzen - M12 X 40	Tornillo	
9	390735X1	1	Washer M12-24-2 Z	Rondelle	Scheibe - M12	Arandela	
10	1440330X1	1	Nut Nyloc M12	Ecrou	Flachmutter M12	Tuerca	
11	6101483M92	1	Earth Strap	Fil De Masse	Masseleitung	Cable De Masa	
12	3522812M1	1	Clip Spring	Clip	Befestigungshalter	Brida De Fijación	
13	3009205X1	1	Bolt - Flange HD M10 X 20	Goupille	Bolzen	Perno	
14	6110157M94	1	Harness - Chassis P/Shift 760/860/970	Faisceau	Beschirring	Arnes	
15	#HARNESS	1	Harness	Harness	Harness	Harness	Ref. 14
16	#BOX, FUSE	1	Box, Fuse	Box, Fuse	Box, Fuse	Box, Fuse	Ref. 14
17	6102646M91	1	Fuse, Maxi - 80 Amp., Clear	Fusible	Sicherung	Fusible	
18	6102644M91	1	Fuse, Maxi - 20 Amp., Yellow (Pack Of 10)	Fusible	Sicherung	Fusible	
19	6102645M91	1	Fuse, Maxi - 40 Amp., Amber	Fusible	Sicherung	Fusible	
20	6102646M91	1	Fuse, Maxi - 80 Amp., Clear	Fusible	Sicherung	Fusible	
21	6194656M91	1	Holder - Fuse	Porte Fusible	Sicherungshalter	Caja De Fusibles	
22	6194498M1	1	Fuse Midival 125 Amp (Orange) Mta Supply	Fusible	Sicherung	Fusible	
23	3006155X1	2	Washer, Lock	Rondelle De Blocage	Sicherungsscheibe	Arandela De Freno	
24	390995X1	2	Nut M5 Z5 Norm	Ecrou	Mutter	Tuerca	
25	6110473M1	3	Relay - Mini	Relais	Relais	Relé	
26	6110516M1	2	Relay 70a Tyco No Bracket V7-11f11-S01	Relais	Relais	Relé	
27	6109852M91	1	Relay Board 4ws/Crab	Tableau Fus./Relais	Sicherung/Relaiskart	Tablero Fusibles/Relés	Ec05/258
28	#FUSE/RELAY BOARD	1	Fuse/Relay Board	Fuse/Relay Board	Fuse/Relay Board	Fuse/Relay Board	Ref. 27
29	6110153M1	2	Relay (Nais St1-L2-Dc12v)	Relais	Relais	Relé	
30	6110162M91	2	Strip-Velcrom	Bande D'Étanchéité	Dichtstreifen	Banda Estanqueidad	Ec05/258

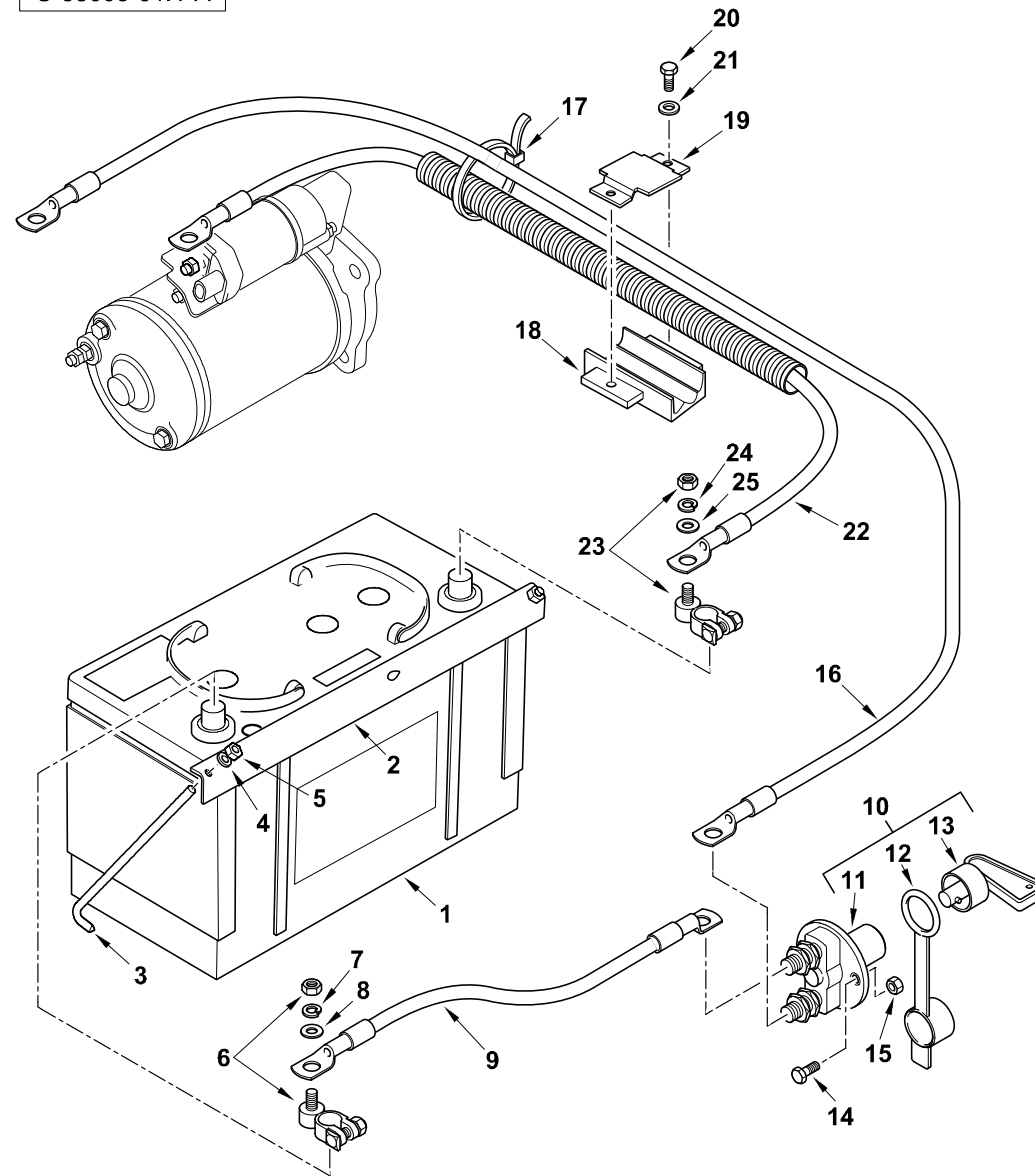




Item	Part No.	Qty.	English	French	German	Spanish	Remarks
31	6110700M91	2	Velco Strip 25x25	Bande D'Étanchéité	Streifen - Velcro	Banda Estanqueidad	Ec05/258
32	6111130M91	1	4ws Module Ver 2 Using Omron Relays	Tableau Fus./Relais	Sicherung-/Relaiskar	Tablero Fusibles/Relés	Ec05/258
33	#FUSE/RELAY BOARD	1	Fuse/Relay Board	Fuse/Relay Board	Fuse/Relay Board	Fuse/Relay Board	Ref. 32
34	6111135M1	2	Relay Omron G6ck-2114p-Us12vdc	Relais	Relais	Relé	
35	6110861M91	1	Harness - 4ws/Crab	Faisceau	Beschirrung	Haz, Conj.	Tba
35	6110503M91	1	Harness 4ws/Crab	Ensemble De Faisceau	Beschirrung	Haz, Conj.	21-04-2004 Tba
35	6109813M92	1	Harness 4ws/Crab Centredrive	Ensemble De Faisceau	Kabelstrang Kpl.	Haz, Conj.	21-04-2004
36	6101732M2	1	Spacer-Rear Fender	Entretoise	Distanzstück	Traviesa	
37	6109883M1	1	Bracket-Harness Transm	Patte Fixation	Halter	Pata De Fijación	
38	1664405M1	1	Tie Mm T50s	Attache Cable	Kabelbinder	Enlace De Cable	
39	MS54-8A	1	Washer - M8 Nominal (Plain) Use 390972x1	Rondelle	Scheibe	Arandela	
40	339891X1	1	Bolt M8-80 Z5s	Boulon M8 X 80	Maschschraube M8	Tornillo	

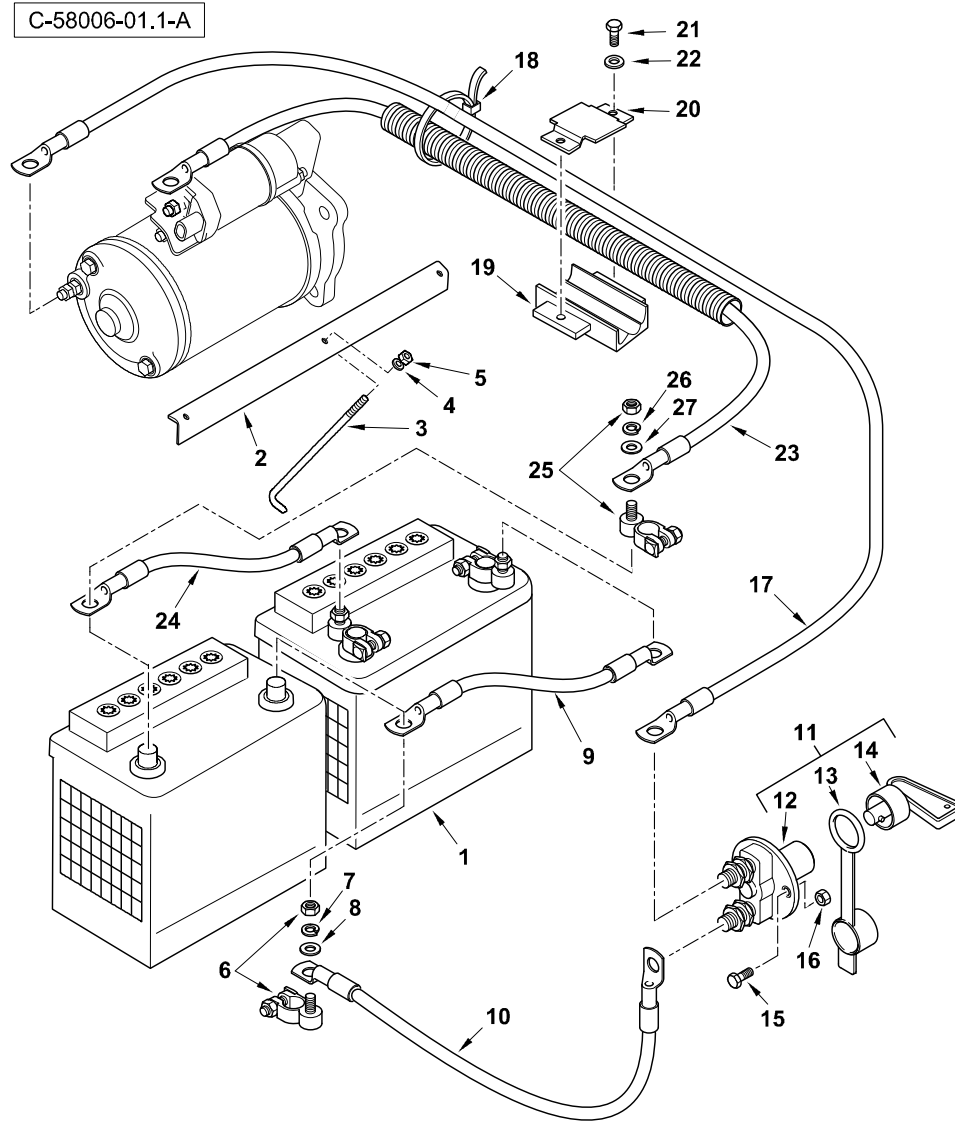


C-58005-01.1-A



Item	Part No.	Qty.	English	French	German	Spanish	Remarks
1	3507617M2	1	Battery Wet Single	Batterie	Batterie	Batería	
2	6109653M1	1	Clamp - Battery	Coin	Winkelplatte	Angulo	
3	3520251M1	2	Rod Battery Retainer	Tringle	Stange	Tirante	
4	390971X1	2	Washer M6-12-1 Zwl	Rondelle - M6	Scheibe - M6	Arandela	
5	1441500X1	2	Nut M6 Z5 Nyloc	Ecrou	Flachmutter M6	Tuerca De Retención	
6	6110532M1	1	Battery Term -Ive M8 X 17 Stud Bt461n	Collier De Serrage	Anschlussklemme Batt	Argolla De Cierre	
7	339374X1	1	Washer M8 -21-2 Z	Rondelle Frein - M8	Federring - M8	Arandela De Freno	
8	390972X1	1	Washer M8-17-1 Zwl	Rondelle M8	Scheibe - M8	Arandela	
9	6110527M1	1	Lead Battery - 40b 8r-8r 275	Câble	Batteriekabel	Cable	
10	6110534M91	1	Battery Isolator M8 Current Care 19-003	Isolateur	Trennschalter	Aislador	
11	#ISOLATOR	1	Isolator	Isolator	Isolator	Isolator	Ref. 10
12	#CAP	1	Cap	Chapeau	Kappe	Tapa	
13	#KEY	2	Key	Key	Key	Key	
14	339804X1	2	Bolt, Hex, - M6 X 25	Goupille	Maschschrb Metr - M6	Tornillo	
15	1441500X1	2	Nut M6 Z5 Nyloc	Ecrou	Flachmutter M6	Tuerca De Retención	
16	6110530M1	1	Lead - Battery B70 8r-8r 2000	Câble	Batteriekabel	Cable	
17	724497M1	5	Tie 380mm T120r	Attache Câble	Kabelbinder	Enlace De Cable	
18	6101682M3	1	Battery-Cable Clamp	Collier De Serrage	Kabelschelle	Argolla De Cierre	
19	6101683M3	1	Battery-Plate-Clamp	Plaque	Kabelschelle	Placa	
20	339124X1	2	Bolt M8-16 Z5f	Goupille	Maschschrb Metr - M8	Tornillo	
21	390972X1	2	Washer M8-17-1 Zwl	Rondelle M8	Scheibe - M8	Arandela	
22	6110531M1	1	Lead-Battery R70 8r-8r 2000 Covered 1800	Câble	Batteriekabel	Cable	
23	6110533M1	1	Battery Term +Ive M8 X 17mm Bt461p	Collier De Serrage	Anschlussklemme Bat	Argolla De Cierre	
24	339374X1	1	Washer M8 -21-2 Z	Rondelle Frein - M8	Federring - M8	Arandela De Freno	
25	390972X1	1	Washer M8-17-1 Zwl	Rondelle M8	Scheibe - M8	Arandela	

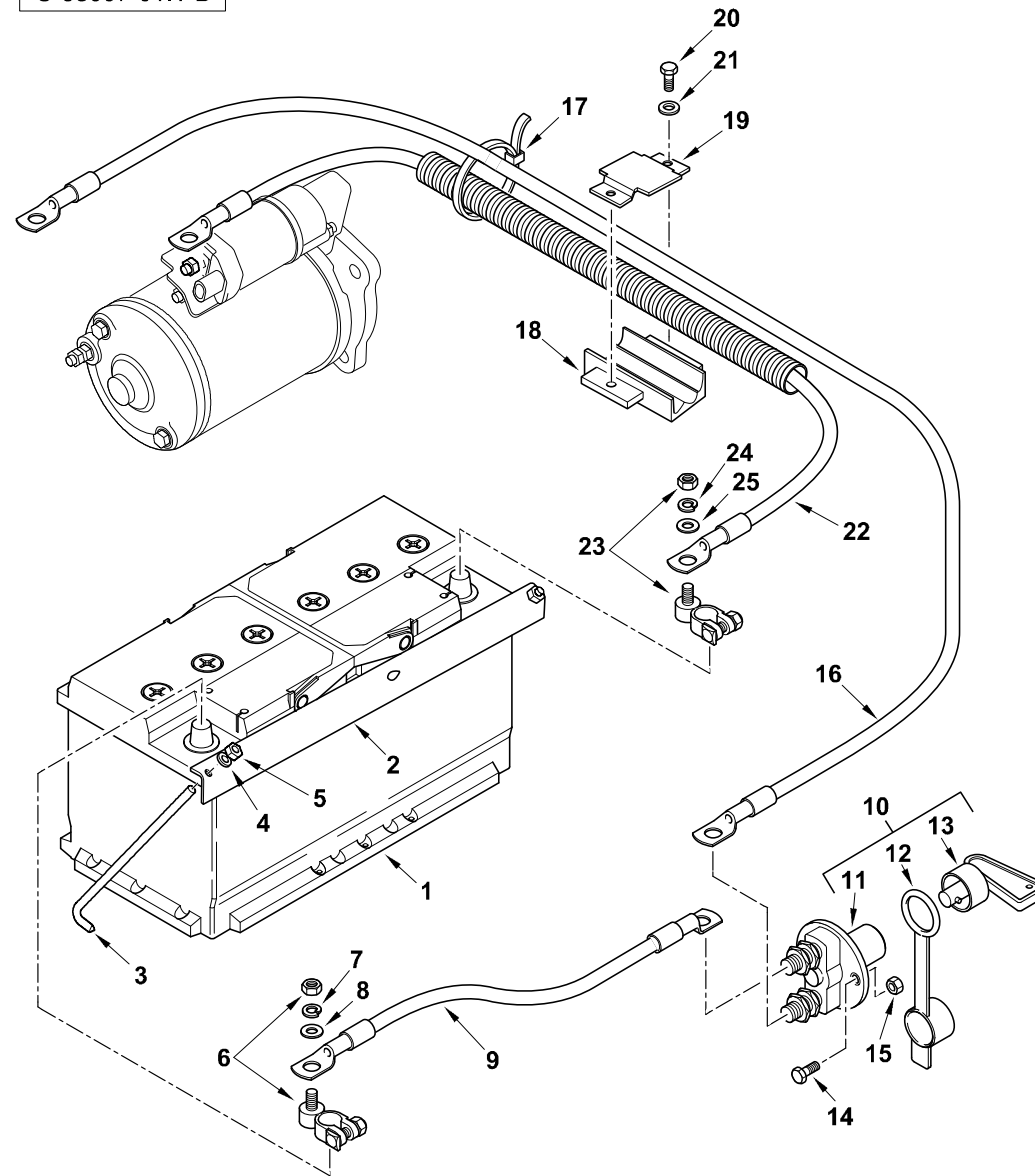




Item	Part No.	Qty.	English	French	German	Spanish	Remarks
1	3507616M2	2	Battery-Dual	Batterie	Batterie	Batería	
2	6109653M1	1	Clamp - Battery	Coin	Winkelplatte	Angulo	
3	6110490M1	1	Rod Battery Retainer	Tirant	Spannstange	Tirante	
4	390971X1	1	Washer M6-12-1 Zwel	Rondelle - M6	Scheibe - M6	Arandela	
5	1441500X1	1	Nut M6 Z5 Nyloc	Ecrou	Flachmutter M6	Tuerca De Retención	
6	6110532M1	2	Battery Term -Ive M8 X 17 Stud Bt461n	Collier De Serrage	Anschlussklemme Batt	Argolla De Cierre	
7	339374X1	2	Washer M8 -21-2 Z	Rondelle Frein - M8	Federring - M8	Arandela De Freno	
8	390972X1	2	Washer M8-17-1 Zwel	Rondelle M8	Scheibe - M8	Arandela	
9	6110527M1	1	Lead Battery - 40b 8r-8r 275	Câble	Batteriekabel	Cable	
10	6110527M1	1	Lead Battery - 40b 8r-8r 275	Câble	Batteriekabel	Cable	
11	6110534M91	1	Battery Isolator M8 Current Care 19-003	Isolateur	Trennschalter	Aislador	
12	#ISOLATOR	1	Isolator	Isolator	Isolator	Isolator	Ref. 11
13	#CAP	1	Cap	Chapeau	Kappe	Tapa	
14	#KEY	2	Key	Key	Key	Key	
15	339804X1	2	Bolt, Hex, - M6 X 25	Goupille	Maschschrb Metr - M6	Tornillo	
16	1441500X1	2	Nut M6 Z5 Nyloc	Ecrou	Flachmutter M6	Tuerca De Retención	
17	6110530M1	1	Lead - Battery B70 8r-8r 2000	Câble	Batteriekabel	Cable	
18	724497M1	5	Tie 380mm T120r	Attache Câble	Kabelbinder	Enlace De Cable	
19	6101682M3	1	Battery-Cable Clamp	Collier De Serrage	Kabelschelle	Argolla De Cierre	
20	6101683M3	1	Battery-Plate-Clamp	Plaque	Kabelschelle	Placa	
21	339124X1	2	Bolt M8-16 Z5f	Goupille	Maschschrb Metr - M8	Tornillo	
22	390972X1	2	Washer M8-17-1 Zwel	Rondelle M8	Scheibe - M8	Arandela	
23	6110531M1	1	Lead-Battery R70 8r-8r 2000 Covered 1800	Câble	Batteriekabel	Cable	
24	6110528M1	1	Battery Lead 40r 8r-8r 275	Câble	Batteriekabel	Cable	
25	6110533M1	2	Battery Term +Ive M8 X 17mm Bt461p	Collier De Serrage	Anschlussklemme Bat	Argolla De Cierre	
26	339374X1	2	Washer M8 -21-2 Z	Rondelle Frein - M8	Federring - M8	Arandela De Freno	
27	390972X1	2	Washer M8-17-1 Zwel	Rondelle M8	Scheibe - M8	Arandela	



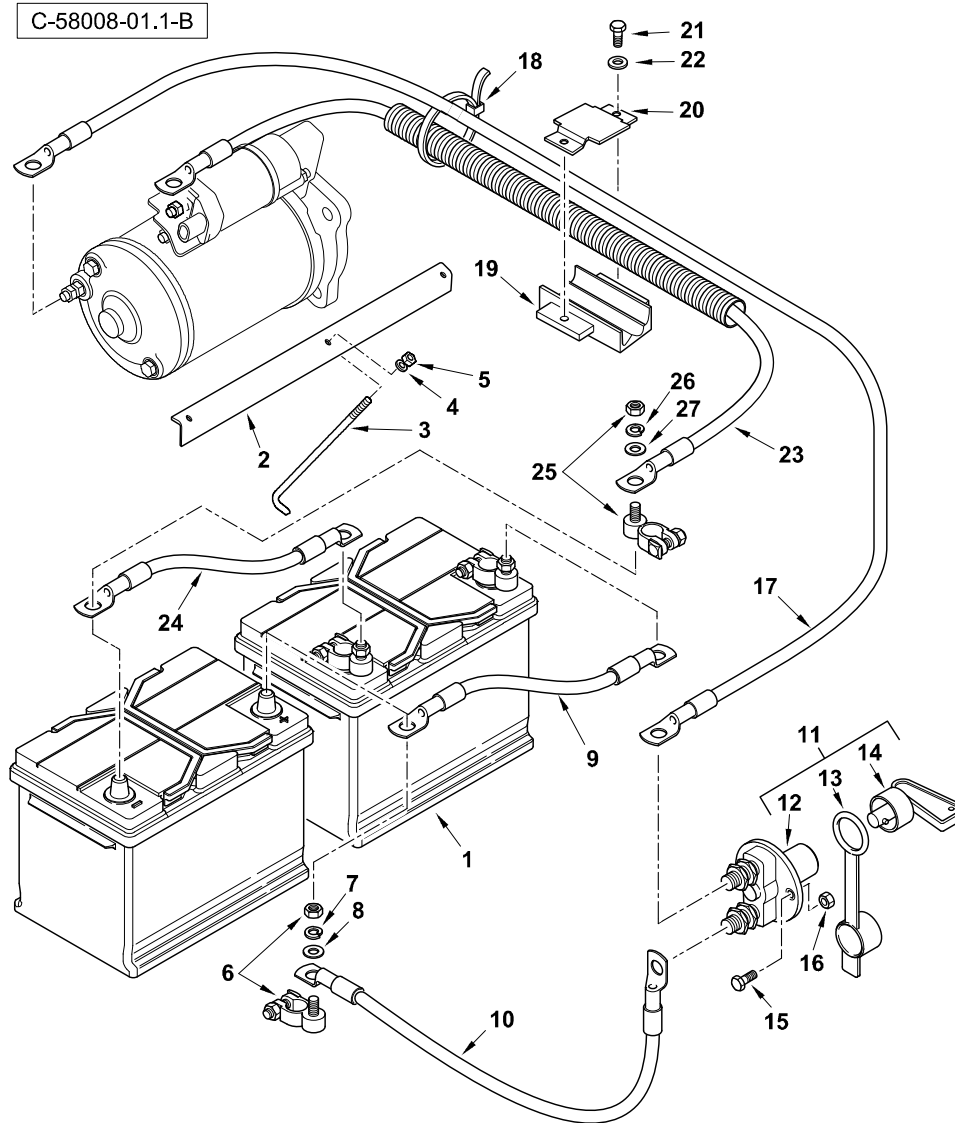
C-58007-01.1-B





Item	Part No.	Qty.	English	French	German	Spanish	Remarks
1	6114186M1	1	Battery Single 590034090/Sap929025	Battery Single 590034090/Sap929025	Battery Single 590034090/Sap929025	Battery Single 590034090/Sap929025	
2	6109653M1	1	Clamp - Battery	Coin	Winkelplatte	Angulo	
3	6114535M1	2	Battery Tie Rod - Short	Battery Tie Rod - Short	Battery Tie Rod - Short	Battery Tie Rod - Short	
4	390971X1	2	Washer M6-12-1 Zwl	Rondelle - M6	Scheibe - M6	Arandela	
5	1441500X1	2	Nut M6 Z5 Nyloc	Ecrou	Flachmutter M6	Tuerca De Retención	
6	6110532M1	1	Battery Term -Ive M8 X 17 Stud Bt461n	Collier De Serrage	Anschlussklemme Batt	Argolla De Cierre	
7	339374X1	1	Washer M8 -21-2 Z	Rondelle Frein - M8	Federring - M8	Arandela De Freno	
8	390972X1	1	Washer M8-17-1 Zwl	Rondelle M8	Scheibe - M8	Arandela	
9	6110527M1	1	Lead Battery - 40b 8r-8r 275	Câble	Batteriekabel	Cable	
10	6114367M91	1	Battery Isolator Switch	Interrupteur	Schalter	Interruptor	
11	#ISOLATOR	1	Isolator	Isolator	Isolator	Isolator	Ref. 10
12	#CAP	1	Cap	Chapeau	Kappe	Tapa	
13	#KEY	2	Key	Key	Key	Key	
14	339804X1	2	Bolt, Hex, - M6 X 25	Goupille	Maschschrb Metr - M6	Tornillo	
15	1441500X1	2	Nut M6 Z5 Nyloc	Ecrou	Flachmutter M6	Tuerca De Retención	
16	6114253M1	1	Battery Cable Starter -Ve T3	Câble	Kabel	Cable	
17	724497M1	5	Tie 380mm T120r	Attache Câble	Kabelbinder	Enlace De Cable	
18	6101682M3	1	Battery-Cable Clamp	Collier De Serrage	Kabelschelle	Argolla De Cierre	
19	6101683M3	1	Battery-Plate-Clamp	Plaque	Kabelschelle	Placa	
20	339124X1	2	Bolt M8-16 Z5f	Goupille	Maschschrb Metr - M8	Tornillo	
21	390972X1	2	Washer M8-17-1 Zwl	Rondelle M8	Scheibe - M8	Arandela	
22	6114252M1	1	Battery Cable Starter +Ve T3	Câble	Kabel	Cable	
23	6110533M1	1	Battery Term +Ive M8 X 17mm Bt461p	Collier De Serrage	Anschlussklemme Bat	Argolla De Cierre	
24	339374X1	1	Washer M8 -21-2 Z	Rondelle Frein - M8	Federring - M8	Arandela De Freno	
25	390972X1	1	Washer M8-17-1 Zwl	Rondelle M8	Scheibe - M8	Arandela	

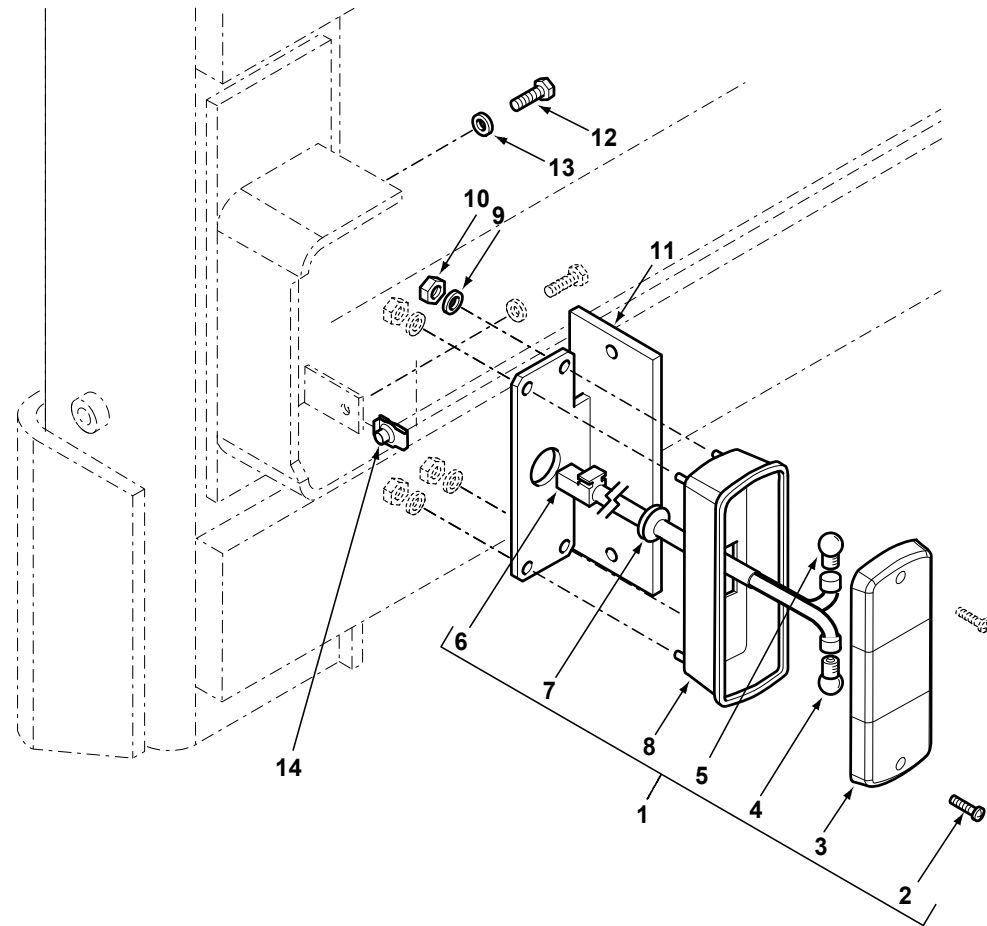




Item	Part No.	Qty.	English	French	German	Spanish	Remarks
1	6114189M1	2	Battery Dual 570413063/Sap533091	Battery Dual 570413063/Sap533091	Battery Dual 570413063/Sap533091	Battery Dual 570413063/Sap533091	
2	6109653M1	1	Clamp - Battery	Coin	Winkelplatte	Angulo	
3	6114120M1	1	Battery Tie Rod - Long	Battery Tie Rod - Long	Battery Tie Rod - Long	Battery Tie Rod - Long	
4	390971X1	1	Washer M6-12-1 Zwel	Rondelle - M6	Scheibe - M6	Arandela	
5	1441500X1	1	Nut M6 Z5 Nyloc	Ecrou	Flachmutter M6	Tuerca De Retención	
6	6110532M1	2	Battery Term -Ive M8 X 17 Stud Bt461n	Collier De Serrage	Anschlussklemme Batt	Argolla De Cierre	
7	339374X1	2	Washer M8 -21-2 Z	Rondelle Frein - M8	Federring - M8	Arandela De Freno	
8	390972X1	2	Washer M8-17-1 Zwel	Rondelle M8	Scheibe - M8	Arandela	
9	6110527M1	1	Lead Battery - 40b 8r-8r 275	Câble	Batteriekabel	Cable	
10	6110527M1	1	Lead Battery - 40b 8r-8r 275	Câble	Batteriekabel	Cable	
11	6114367M91	1	Battery Isolator Switch	Interrupteur	Schalter	Interruptor	
12	#ISOLATOR	1	Isolator	Isolator	Isolator	Isolator	Ref. 11
13	#CAP	1	Cap	Chapeau	Kappe	Tapa	
14	#KEY	2	Key	Key	Key	Key	
15	339804X1	2	Bolt, Hex, - M6 X 25	Goupille	Maschschrb Metr - M6	Tornillo	
16	1441500X1	2	Nut M6 Z5 Nyloc	Ecrou	Flachmutter M6	Tuerca De Retención	
17	6114253M1	1	Battery Cable Starter -Ve T3	Câble	Kabel	Cable	
18	724497M1	5	Tie 380mm T120r	Attache Câble	Kabelbinder	Enlace De Cable	
19	6101682M3	1	Battery-Cable Clamp	Collier De Serrage	Kabelschelle	Argolla De Cierre	
20	6101683M3	1	Battery-Plate-Clamp	Plaque	Kabelschelle	Placa	
21	339124X1	2	Bolt M8-16 Z5f	Goupille	Maschschrb Metr - M8	Tornillo	
22	390972X1	2	Washer M8-17-1 Zwel	Rondelle M8	Scheibe - M8	Arandela	
23	6114252M1	1	Battery Cable Starter +Ve T3	Câble	Kabel	Cable	
24	6110528M1	1	Battery Lead 40r 8r-8r 275	Câble	Batteriekabel	Cable	
25	6110533M1	2	Battery Term +Ive M8 X 17mm Bt461p	Collier De Serrage	Anschlussklemme Bat	Argolla De Cierre	
26	339374X1	2	Washer M8 -21-2 Z	Rondelle Frein - M8	Federring - M8	Arandela De Freno	
27	390972X1	2	Washer M8-17-1 Zwel	Rondelle M8	Scheibe - M8	Arandela	



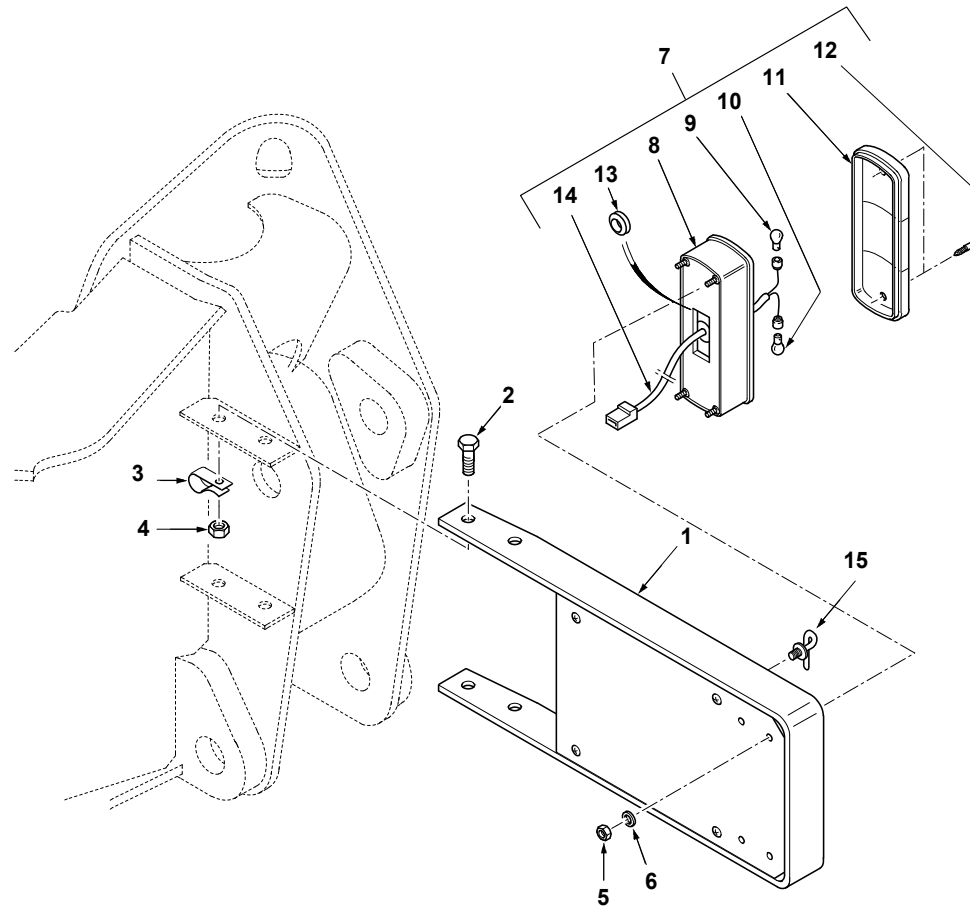
C-59001-01.1-A



Item	Part No.	Qty.	English	French	German	Spanish	Remarks
1	6101410M91	2	Rear Light Assy	Feu Arrière	Rückleuchte	Luz Posterior	
2	#SCREW	2	Screw	Vis	Schraube	Tornillo	Ref. 1
3	6190744M1	1	Lens - Rear Light	Lentille	Streuscheibe	Lente	
4	3523688M1	1	Bulb-Rear Light	Lampe	Lampe	Lámpara	
5	3523687M1	1	Bulb-Rear Light	Lampe	Lampe	Lámpara	
6	#HARNES	1	Harness	Harness	Harness	Harness	Ref. 1
7	#GROMMET	1	Grommet	Grommet	Grommet	Grommet	Ref. 1
8	#BODY	1	Body	Body	Body	Body	Ref. 1
9	390469X1	8	Washer M5	Rondelle	Scheibe - M5	Arandela	
10	390995X1	8	Nut M5 Z5 Norm	Ecrou	Mutter	Tuerca	
11	6106809M92	2	Plate, Mounting - Rear Lights	Ensemble De Plaque	Platte Kpl.	Placa, Conj.	
12	339761X1	4	Bolt M8-25 Z5f	Goupille	Bolzen M8 X 25	Tornillo	
13	390972X1	4	Washer M8-17-1 Zwel	Rondelle M8	Scheibe - M8	Arandela	
14	6106899M1	4	Lug Nut M8	Ecrou	Mutter	Tuerca Con Horquilla	



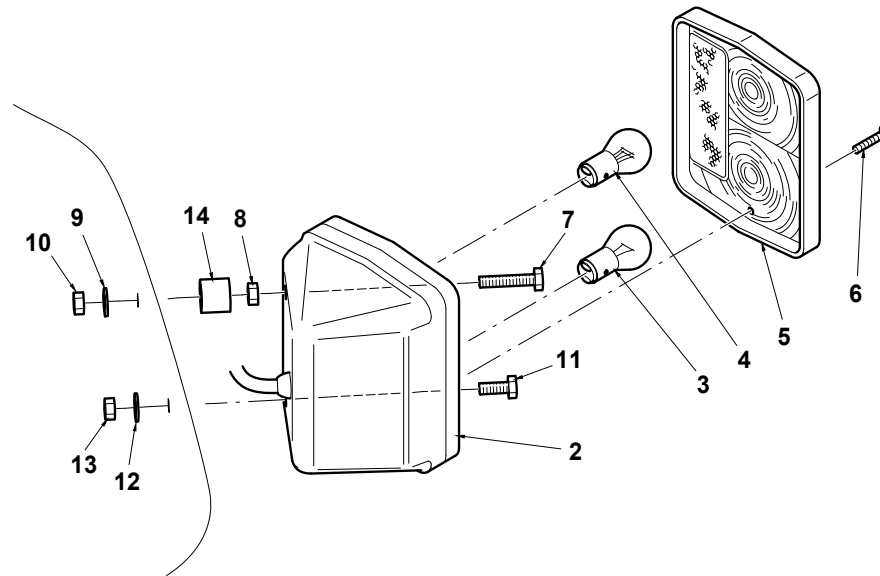
C-59002-01.1-A



Item	Part No.	Qty.	English	French	German	Spanish	Remarks
1	6101415M91	2	Bracket-Rear-Fermec W/A	Support De Fixation	Befestigung	Soporte De Fijación	
2	3009494X1	8	Bolt Hex - M10 X 35, Coarse	Boulon - M10 X 35	Maschschraube M10	Tornillo	
3	371643X1	2	P Clip	Clip	Klips	Argolla De Fijación	
4	1440329X1	8	Nut, Hex. - Nyloc, M10	Ecrou Blocage	Flachmutter M10	Tuerca De Retención	
5	390995X1	8	Nut M5 Z5 Norm	Ecrou	Mutter	Tuerca	
6	339381X1	8	Washer, Lock - M5	Rondelle Frein	Federring	Arandela De Freno	
7	6101410M91	2	Rear Light Assy	Feu Arrière	Rückleuchte	Luz Posterior	
8	#BODY	1	Body	Body	Body	Body	Ref. 7
9	3523687M1	1	Bulb-Rear Light	Lampe	Lampe	Lámpara	
10	3523688M1	1	Bulb-Rear Light	Lampe	Lampe	Lámpara	
11	6190744M1	1	Lens - Rear Light	Lentille	Streuscheibe	Lente	
12	#SCREW	2	Screw	Vis	Schraube	Tornillo	Ref. 7
13	#GROMMET	1	Grommet	Grommet	Grommet	Grommet	Ref. 7
14	#HARNESS	1	Harness	Harness	Harness	Harness	Ref. 7
15	6102985M1	4	Cable Tie Fir Tree	Attache Câble	Kabelbinder	Enlace De Cable	



C-59003-01.1-A

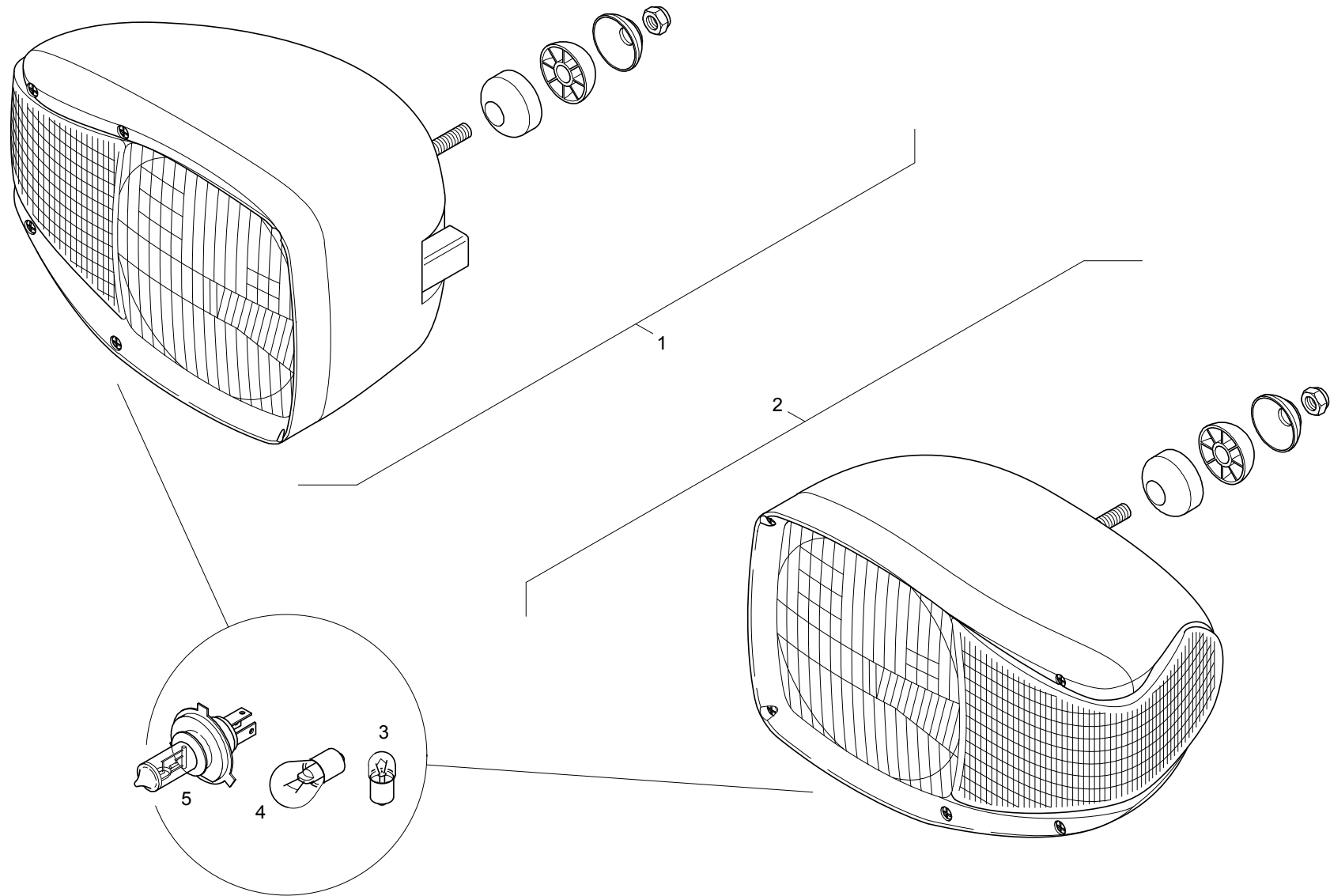




Item	Part No.	Qty.	English	French	German	Spanish	Remarks
1	6107973M91	1	Rear Light RH - High Level	Feu Arrière	Rückleuchte	Luz Posterior	
1	6107972M91	1	Rear Light LH - High Level	Feu Arrière	Rückleuchte	Luz Posterior	
2	#BODY	1	Body	Body	Body	Body	Ref. 1
3	3523687M1	1	Bulb-Rear Light	Lampe	Lampe	Lámpara	
4	3523688M1	1	Bulb-Rear Light	Lampe	Lampe	Lámpara	
5	6193294M1	1	Lens - L/H Rear Light	Lentille	Streuscheibe	Lente	
5	6193295M1	1	Lens - R/H Rear Light	Lentille	Streuscheibe	Lente	
6	#SCREW	2	Screw	Vis	Schraube	Tornillo	Ref. 5
7	1441268X1	1	Bolt M6-30 Z5f	Vis	Schraube	Tornillo	
8	339030X1	1	Nut M6 Z5 Norm	Ecrou	Mutter - M6	Tuerca	
9	390971X1	1	Washer M6-12-1 Zwl	Rondelle - M6	Scheibe - M6	Arandela	
10	339030X1	1	Nut M6 Z5 Norm	Ecrou	Mutter - M6	Tuerca	
11	339560X1	1	Bolt - M6 X 16mm (Hex.)	Boulon M6 X 16	Maschschraube - M6	Tornillo	
12	390971X1	1	Washer M6-12-1 Zwl	Rondelle - M6	Scheibe - M6	Arandela	
13	339030X1	1	Nut M6 Z5 Norm	Ecrou	Mutter - M6	Tuerca	
14	6101892M1	2	Spacer-Nylon	Entretoise	Distanzstück	Traviesa	



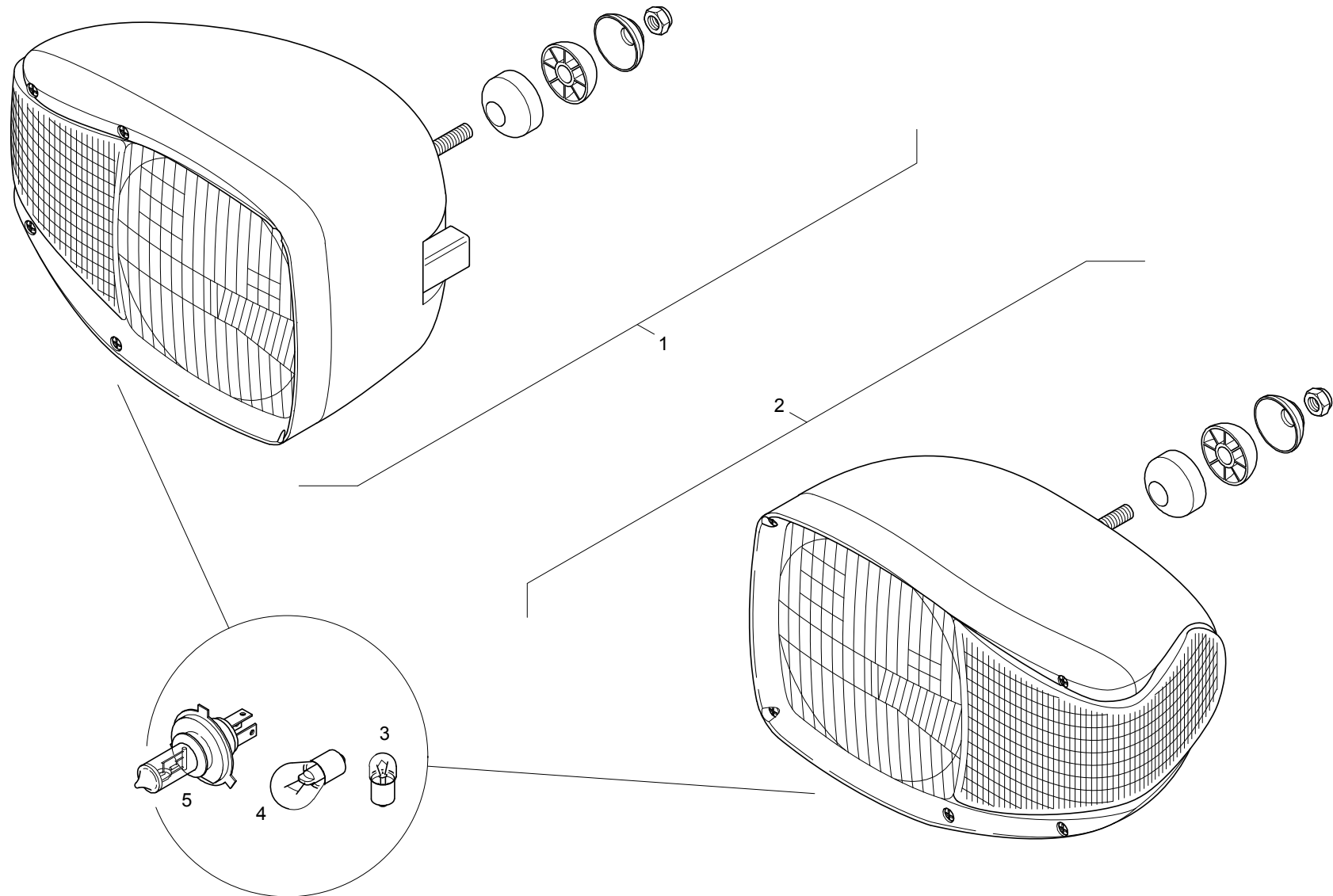
C-60001-01.1-A



<b>Item</b>	<b>Part No.</b>	<b>Qty.</b>	<b>English</b>	<b>French</b>	<b>German</b>	<b>Spanish</b>	<b>Remarks</b>
1	6106302M91	1	Headlight-Rh Left Hand Dip	Phare	Scheinwerfer	Faro	
2	6106301M91	1	Headlight-Lh Left Hand Dip	Phare	Scheinwerfer	Faro	
3	3523690M1	1	Bulb	Lampe	Lampe	Lámpara	
4	3523687M1	1	Bulb-Rear Light	Lampe	Lampe	Lámpara	
5	3523444M1	1	Bulb	Lampe	Lampe	Lámpara	



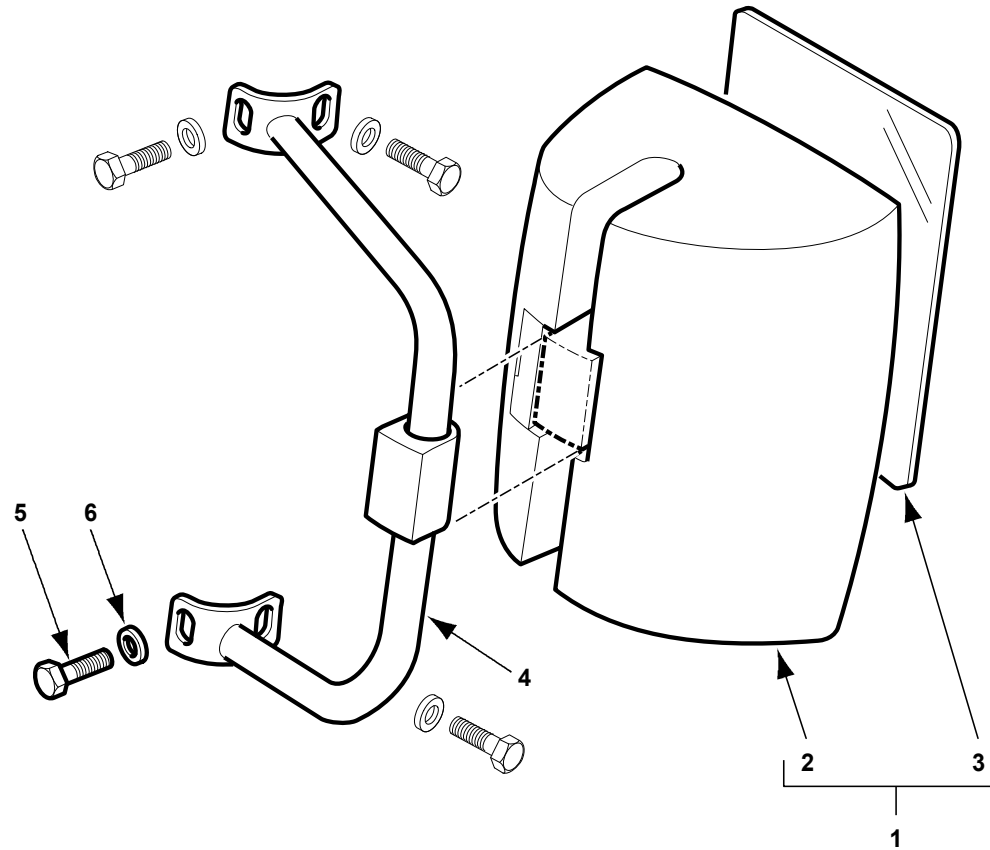
C-60002-01.1-A



<b>Item</b>	<b>Part No.</b>	<b>Qty.</b>	<b>English</b>	<b>French</b>	<b>German</b>	<b>Spanish</b>	<b>Remarks</b>
1	6106304M91	1	Headlight-Rh Right Hand Dip	Phare	Scheinwerfer	Faro	
2	6106303M91	1	Headlight-Lh Right Hand Dip	Phare	Scheinwerfer	Faro	
3	3523690M1	1	Bulb	Lampe	Lampe	Lámpara	
4	3523687M1	1	Bulb-Rear Light	Lampe	Lampe	Lámpara	
5	3523444M1	1	Bulb	Lampe	Lampe	Lámpara	



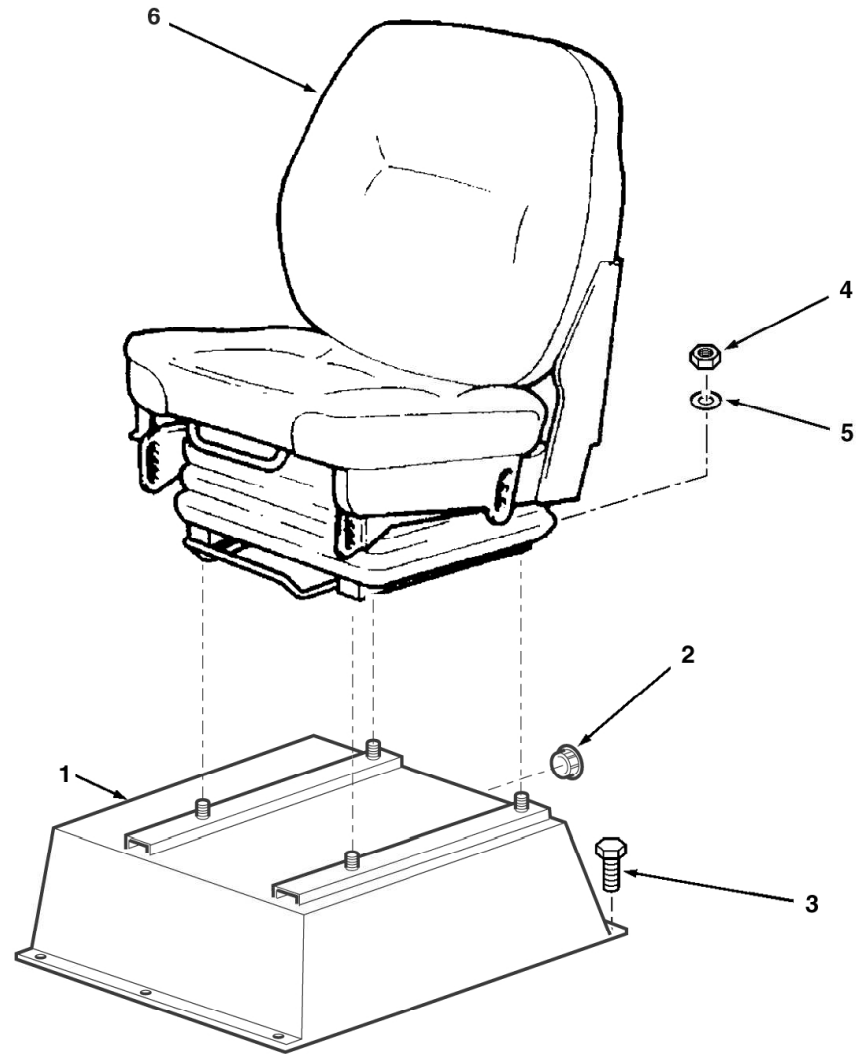
C-61001-01.1-A



Item	Part No.	Qty.	English	French	German	Spanish	Remarks
1	3512336M91	2	Mirror, Rear View - Cab Models	Retroviseur	Ruckspiegel	Espejo Retrovisor	
2	#BODY	1	Body	Body	Body	Body	Ref. 1
3	3477528M1	1	Glass, Rear View Mirror - Cab Models	Vitre	Glasscheibe	Cristal	
4	6108734M91	2	Arm Assy - Mirror	Bras Retroviseur	Spiegelarm Kpl	Brazo, Conj.	
5	3512463M1	8	Screw M6-16 Black	Boulon M6 X 16	Maschschraube M6	Tornillo	
6	3512395M1	8	Washer M6 Black	Rondelle	Scheibe	Arandela	



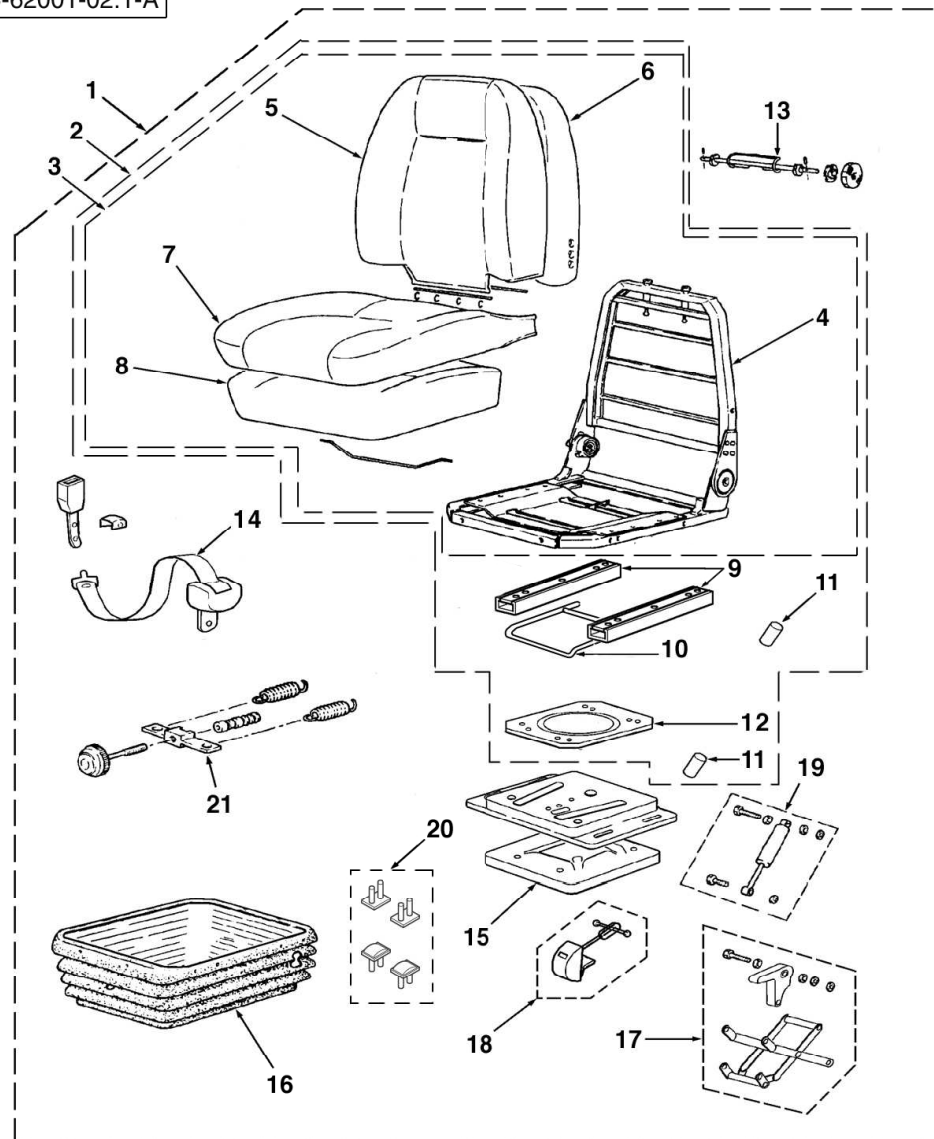
C-62001-01.1-A





Item	Part No.	Qty.	English	French	German	Spanish	Remarks
1	6100848M95	1	Pedestal - Operator's Seat	Socle	Sockel, Säule	Zócalo	
2	3517687M1	1	Grommet	Passe-Fil	Tülle	Pasa Cable	
3	339124X1	4	Bolt M8-16 Z5f	Goupille	Maschschrb Metr - M8	Tornillo	
4	394367X1	4	Nut, Hex. - Nyloc, M8	Ecrou Blocage M8	Flachmutter - M8	Tuerca De Retención	
5	390972X1	4	Washer M8-17-1 Zwl	Rondelle M8	Scheibe - M8	Arandela	
6	6108904M91	1	Seat Assy - Fabric	Siège Ass.	Sitz Kplt	Asiento, Conj.	62001c02.1 1 H200 7 3500
6	6112088M92	1	Seat Assy Fabric Terex Logo	Ensemble Des Sièges	Sitz Kpl.	Asiento, Conj.	H200 7 3500

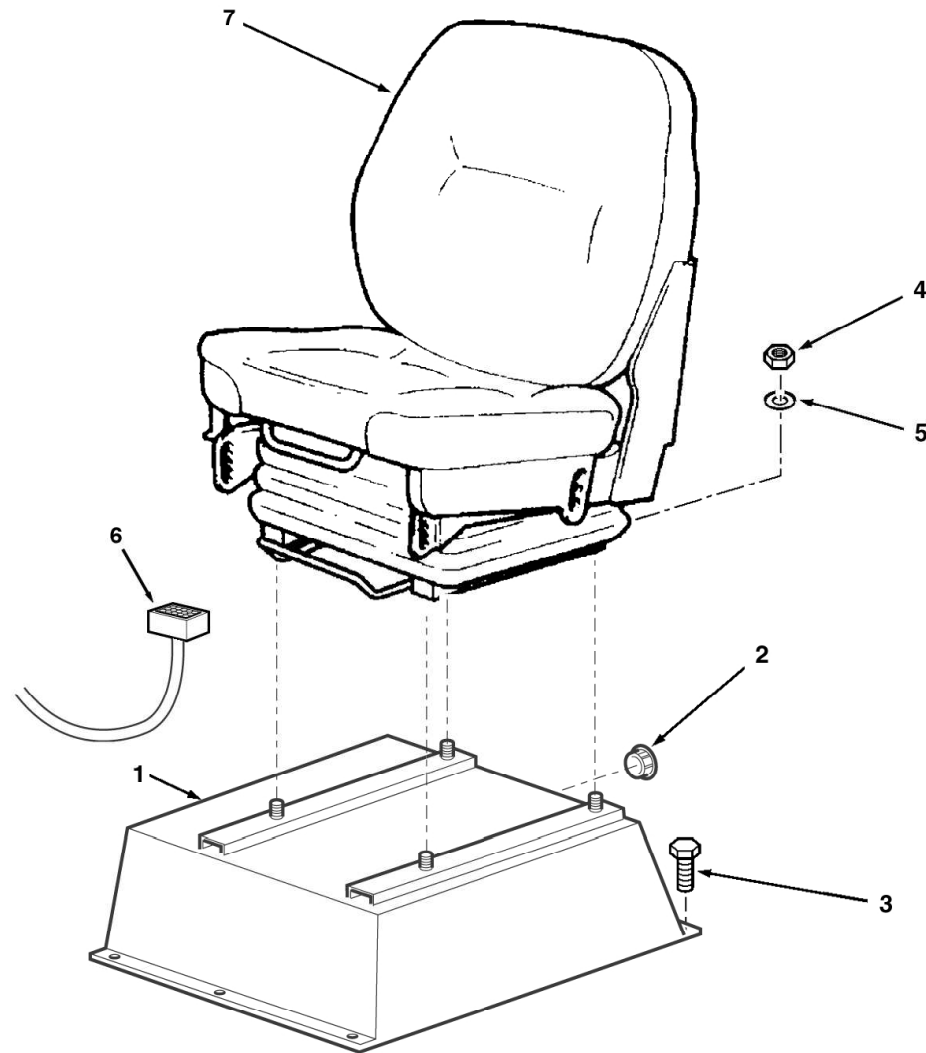
C-62001-02.1-A



Item	Part No.	Qty.	English	French	German	Spanish	Remarks
1	6108904M91	1	Seat Assy - Fabric	Siège Ass.	Sitz Kplt	Asiento, Conj.	62001c01.1 6 H200 7 3500
2	6193722M91	1	Seat-Upper/Turntable/Sliderail Assy Kit	Siège	Sitz	Asiento	
3	6193724M91	1	Seat - Upper Assy Kit(Fabric) Terex Logo	Siège	Sitz	Asiento	
4	6193726M91	1	Frame Assembly Kit	Ensemble De Bâti	Rahmen Kpl.	Bastidor, Conj.	
5	6193727M91	1	Back Cover Kit	Housse	Schonbezug	Cubre Asiento	
6	6190707M91	1	Kit, Foam Pad - Seat Backrest	Dossier	Rückenlehne	Respaldo	
7	6193728M91	1	Seat Cover Kit	Housse	Schonbezug	Cubre Asiento	
8	6190709M91	1	Kit, Foam Pad - Seat Cushion	Coussin De Siège	Sitzkissen	Cojín De Asiento	
9	6193731M91	1	Fore & Aft Adjustment Kit	Glissière	Gleitschiene	Corredera	
10	6193732M91	1	Sliderrail Handle Kit	Ensemble De Poignée	Handgriff Kpl.	Empuñadura, Conj.	
11	6193730M1	2	Control Handle Kit	Poignée	Handgriff	Asa	
12	6193733M91	1	Turntable Kit	Bâti Tourelle	Oberwagenrahmen	Bastidor Torreta	
13	6190711M91	1	Kit Lumbar Support	Lot De Pièces	Ersatzteilpaket	Juego De Piezas	
14	6190710M91	1	Kit Seat Belt	Ceinture De Sécurité	Sicherheitsgurt	Cinturón, Seguridad	
15	6190718M91	1	Kit Suspension	Suspension	Federung	Suspensión	
16	6190719M91	1	Kit Suspension Cover	Souf•et	Faltenbalg	Fuelle	
17	6190720M91	1	Kit Bearing & Lever	Lot De Pièces	Ersatzteilpaket	Juego De Piezas	
18	6190721M91	1	Kit Ride Indicator	Poignée	Handgriff	Asa	
19	6190722M91	1	Kit, Shock Absorber - Seat	Amortisseur	Stossdämpfer	Amortiguador	
20	6190723M91	1	Kit Bump Stop	Buteur	Häufelmaschine	Aporcador	
21	6190724M91	1	Kit Height Adjuster	Poignée	Handgriff	Asa	



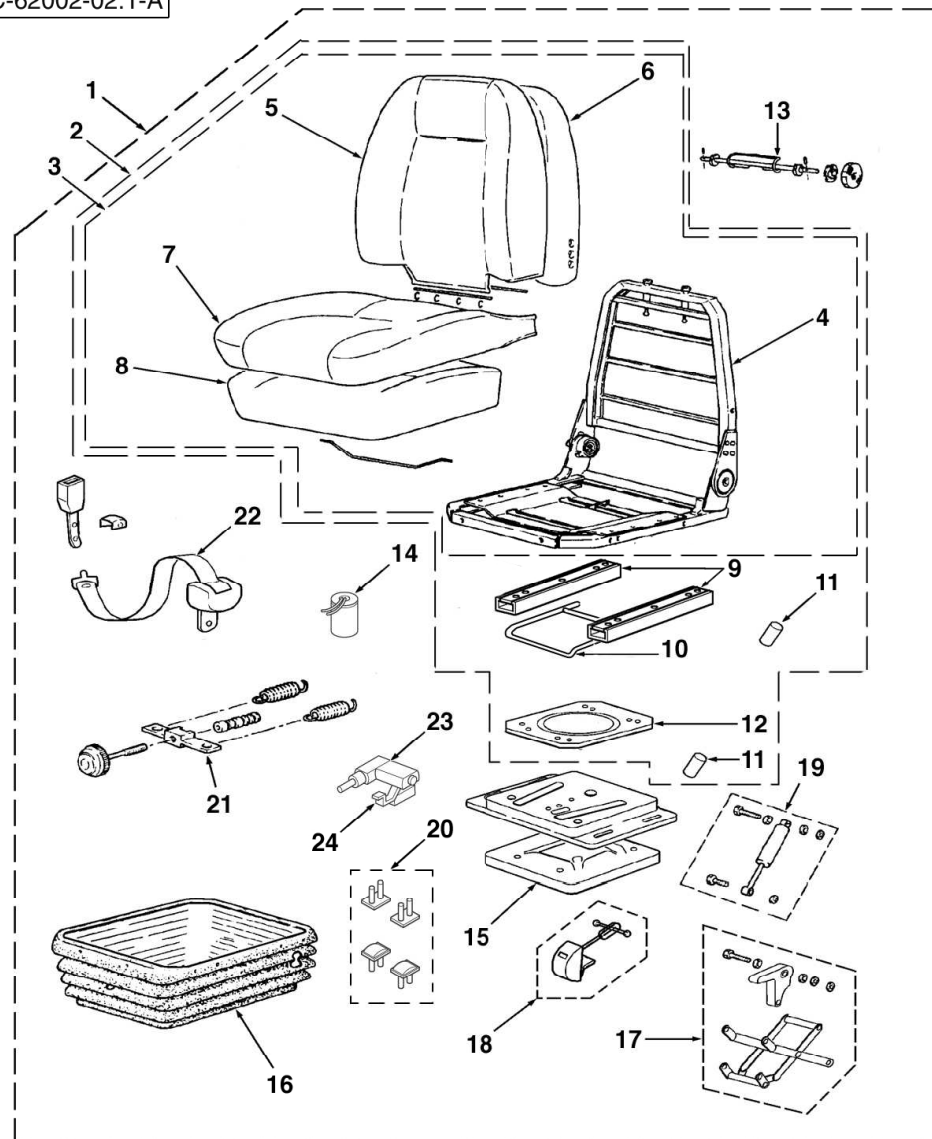
C-62002-01.1-A



Item	Part No.	Qty.	English	French	German	Spanish	Remarks
1	6100848M95	1	Pedestal - Operator's Seat	Socle	Sockel, Säule	Zócalo	
2	3517687M1	1	Grommet	Passe-Fil	Tülle	Pasa Cable	
3	339124X1	4	Bolt M8-16 Z5f	Goupille	Maschschrb Metr - M8	Tornillo	
4	394367X1	4	Nut, Hex. - Nyloc, M8	Ecrou Blocage M8	Flachmutter - M8	Tuerca De Retención	
5	390972X1	4	Washer M8-17-1 Zwl	Rondelle M8	Scheibe - M8	Arandela	
6	6109285M91	1	Harness, Intermediate - Air Susp. Seat	Ensemble De Faisceau	Kabelstrang Kpl.	Haz, Conj.	Ec06/167
6	6111150M91	1	Harness - Air Suspension Seat	Faisceau	Beschirrung	Haz, Conj.	Ec06/167
7	6112089M91	1	Seat Assy - Fabric (Terex Logo) Air Susp	Ensemble Des Sièges	Sitz Kpl.	Asiento, Conj.	H200 07 3448
7	6108905M91	1	Seat - Air Suspension, Fabric	Ensemble Des Sièges	Sitz Kpl.	Asiento, Conj.	62002c02.1 1 H200 07 3448



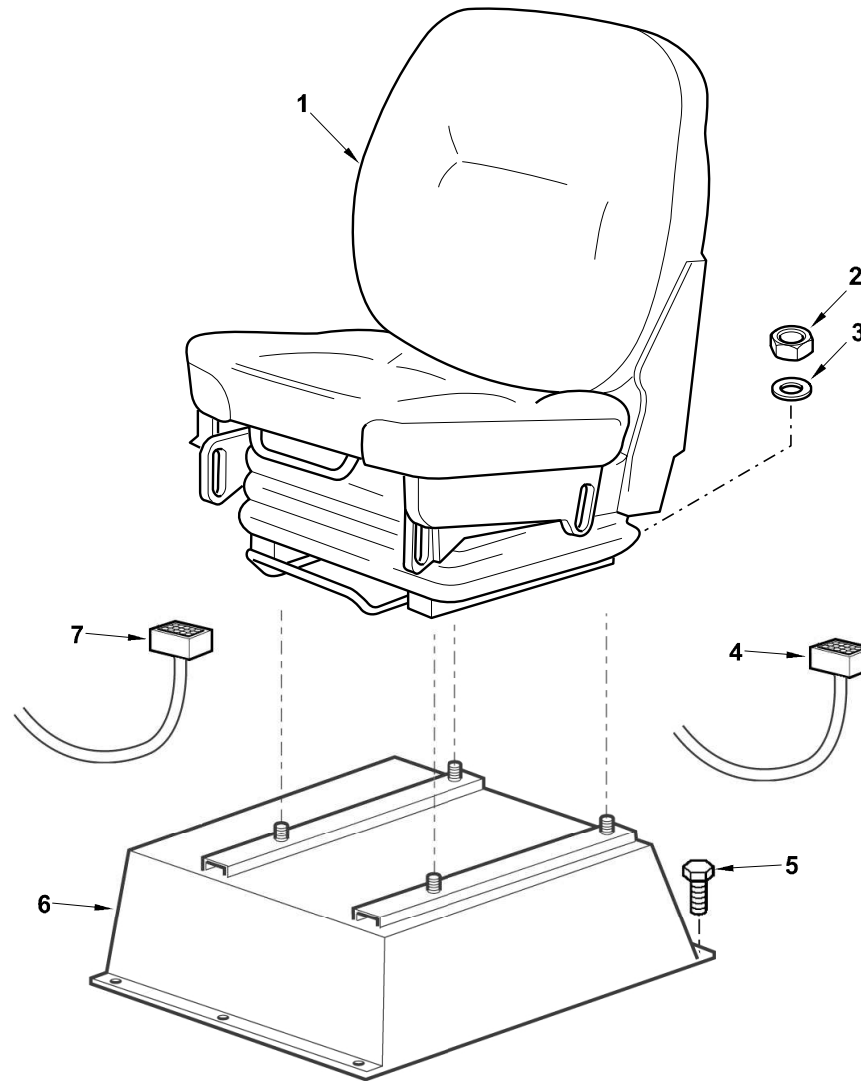
C-62002-02.1-A



Item	Part No.	Qty.	English	French	German	Spanish	Remarks
1	6108905M91	1	Seat - Air Suspension, Fabric	Ensemble Des Sièges	Sitz Kpl.	Asiento, Conj.	62002c01.1 7 Tba
2	6193722M91	1	Seat-Upper/Turntable/Sliderail Assy Kit	Siège	Sitz	Asiento	
3	6193724M91	1	Seat - Upper Assy Kit(Fabric) Terex Logo	Siège	Sitz	Asiento	
4	6193726M91	1	Frame Assembly Kit	Ensemble De Bâti	Rahmen Kpl.	Bastidor, Conj.	
5	6193727M91	1	Back Cover Kit	Housse	Schonbezug	Cubre Asiento	
6	6190707M91	1	Kit, Foam Pad - Seat Backrest	Dossier	Rückenlehne	Respaldo	
7	6193728M91	1	Seat Cover Kit	Housse	Schonbezug	Cubre Asiento	
8	6190709M91	1	Kit, Foam Pad - Seat Cushion	Coussin De Siège	Sitzkissen	Cojín De Asiento	
9	6193731M91	1	Fore & Aft Adjustment Kit	Glissière	Gleitschiene	Corredera	
10	6193732M91	1	Sliderrail Handle Kit	Ensemble De Poignée	Handgriff Kpl.	Empuñadura, Conj.	
11	6193730M1	2	Control Handle Kit	Poignée	Handgriff	Asa	
12	6193733M91	1	Turntable Kit	Bâti Tourelle	Oberwagenrahmen	Bastidor Torreta	
13	6190711M91	1	Kit Lumbar Support	Lot De Pièces	Ersatzteilpaket	Juego De Piezas	
14	6193738M91	1	Air Spring Kit	Jeu De Ressorts	Federsatz	Juego De Muelles	
15	6193734M91	1	Suspension Assembly Kit - Air	Suspension	Federung	Suspensión	
16	6193735M91	1	Suspension Cover Kit - Air	Souf•et	Kofferraum	Fuelle	
17	6193736M91	1	Bearing And Lever Kit - Air	Lot De Pièces	Ersatzteilpaket	Juego De Piezas	
18	6190721M91	1	Kit Ride Indicator	Poignée	Handgriff	Asa	
19	6193737M91	1	Damper Kit	Amortisseur	Stossdämpfer	Amortiguador	
20	6190723M91	1	Kit Bump Stop	Buteur	Häufelmaschine	Aporcador	
21	6190724M91	1	Kit Height Adjuster	Poignée	Handgriff	Asa	
22	6190710M91	1	Kit Seat Belt	Ceinture De Sécurité	Sicherheitsgurt	Cinturón, Seguridad	
23	6193739M91	1	12v Compressor Kit	Compresseur	Kompressor	Compresor	
24	6193740M91	1	Kit, Valve & Switch - Air Susp. Seat	Jeu De Soupapes	Ventilsatz	Juego De Válvulas	



C-62006-01.1-A





Item	Part No.	Qty.	English	French	German	Spanish	Remarks
1	6112394M92	1	Seat Assy - Fabric - Air Susp - Heated	Siege	Sitz Kompl.	Asiento, Conj.	
2	394367X1	4	Nut, Hex. - Nyloc, M8	Ecrou Blocage M8	Flachmutter - M8	Tuerca De Retención	
3	390972X1	4	Washer M8-17-1 Zwel	Rondelle M8	Scheibe - M8	Arandela	
4	6112393M91	1	Wiring Harness	Faisceau De Cables	Kabelstrang	Kabelstrang	
5	339124X1	4	Bolt M8-16 Z5f	Goupille	Maschschrb Metr - M8	Tornillo	
6	6100848M95	1	Pedestal - Operator's Seat	Socle	Sockel, Säule	Zócalo	
7	6111150M91	1	Harness - Air Suspension Seat	Faisceau	Beschirrung	Haz, Conj.	



**Not Serviced**

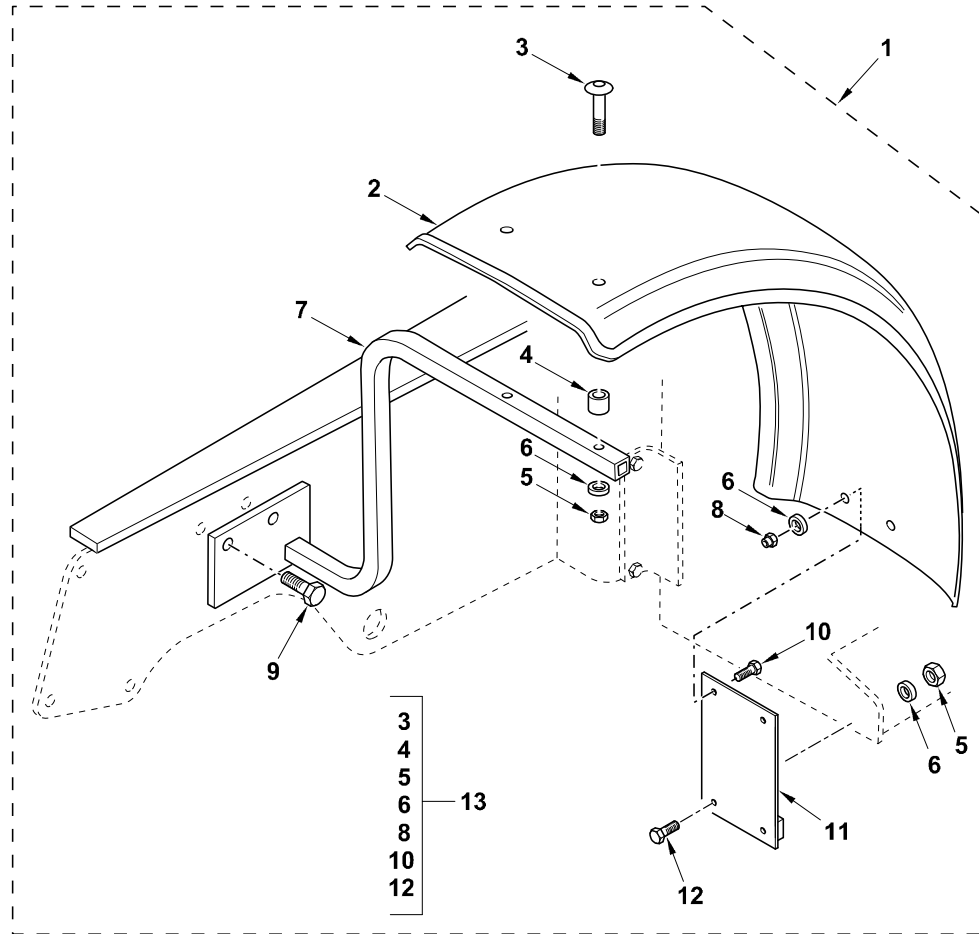
THIS PAGE INTENTIONALLY LEFT BLANK



**Not Serviced**

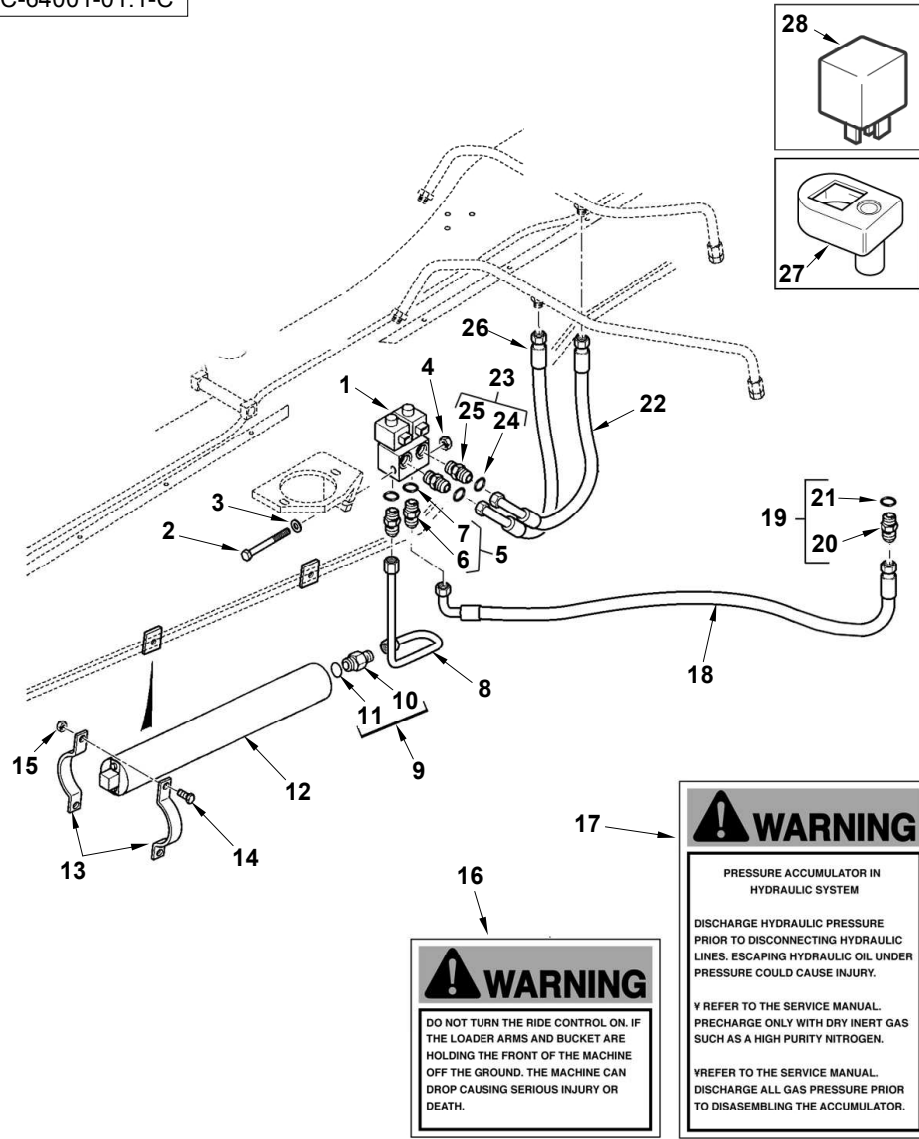
THIS PAGE INTENTIONALLY LEFT BLANK

C-63002-01.1-B



Item	Part No.	Qty.	English	French	German	Spanish	Remarks
1	6101857M91	1	Kit, Front Fenders - 4 Wheel Steer	Lot De Pièces	Ersatzteilpaket	Juego De Piezas	
2	6101846M1	1	Fender-4ws RH Front Fender	Aile	Flügel	Guardafango	
2	6101845M1	1	Fender-Lh 4ws Front Fender	Aile	Flügel	Guardafango	
3	6101849M1	4	Bolt-Special-4ws Frnt Fenderer	Vis	Schraube	Tornillo	
4	6101848M1	4	Spacer-4ws Front Fender	Entretoise	Distanzstück	Traviesa	
5	339169X1	8	Nut, Hex. - M8, Coarse	Ecrou Métrique	Mutter Metrisch	Tuerca	
6	391039X1	12	Washer M8-24-2 Z	Rondelle M8	Scheibe M8	Arandela	
7	6101843M91	1	Bracket-Lh 4ws Front Fender R	Support	Haltevorrichtung	Soporte De Fijación	
7	6101844M91	1	Bracket-Rh 4ws Front Fender R	Support	Haltevorrichtung	Soporte De Fijación	
8	394367X1	4	Nut, Hex. - Nyloc, M8	Ecrou Blocage M8	Flachmutter - M8	Tuerca De Retención	
9	339275X1	4	Bolt- Hex. M16 X 35 (Coarse)	Boulon M16 X 35	Schraube M16 X 35	Tornillo	
10	339123X1	4	Bolt M8-20 Z5f	Boulon M8 X 20	Maschschraube M8	Perno	
11	6111444M91	2	Bracket - Fender Front 4ws	Support Fixation	Haltearm	Bracket - Fender Front 4ws	
12	339010X1	4	Bolt M8-40 Z5f	Goupille	Bolzen	Tornillo	
13	6114490M91	1	Fastener Set	Fastener Set	Fastener Set	Fastener Set	

C-64001-01.1-C



**WARNING**

DO NOT TURN THE RIDE CONTROL ON. IF THE LOADER ARMS AND BUCKET ARE HOLDING THE FRONT OF THE MACHINE OFF THE GROUND. THE MACHINE CAN DROP CAUSING SERIOUS INJURY OR DEATH.

**WARNING**

PRESSURE ACCUMULATOR IN HYDRAULIC SYSTEM

DISCHARGE HYDRAULIC PRESSURE PRIOR TO DISCONNECTING HYDRAULIC LINES. ESCAPING HYDRAULIC OIL UNDER PRESSURE COULD CAUSE INJURY.

REFER TO THE SERVICE MANUAL. PRECHARGE ONLY WITH DRY INERT GAS SUCH AS A HIGH PURITY NITROGEN.

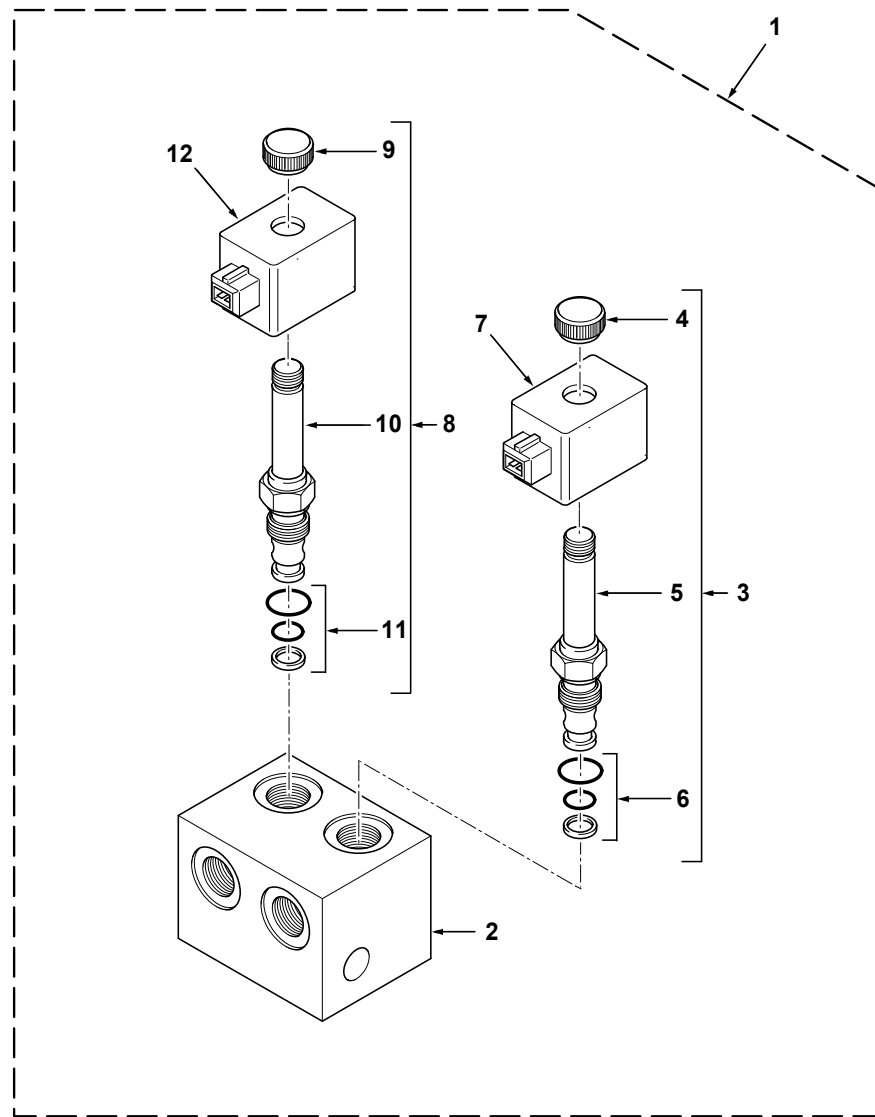
REFER TO THE SERVICE MANUAL. DISCHARGE ALL GAS PRESSURE PRIOR TO DISASSEMBLING THE ACCUMULATOR.



Item	Part No.	Qty.	English	French	German	Spanish	Remarks
1	6100522M91	1	Solenoid Valve Assy	Soupape De Pilotage	Magnetventil	Válvula De Pilotaje	64001c02.1 1
2	3009504X1	1	Bolt M10-100 Z5s	Goupille	Bolzen M10 X 100	Tornillo	
3	385362X1	1	Washer, Hardened - M10	Rondelle - M10	Unterlegscheibe M10	Arandela	
4	1440329X1	1	Nut, Hex. - Nyloc, M10	Ecrou Blocage	Flachmutter M10	Tuerca De Retención	
5	358743X91	2	Connector & O Ring	Borne	Doppelnippel	Unión	
6	#UNION	1	Union	Union	Union	Union	Ref. 5
7	831497M1	1	O-Ring	Joint Torique	O-Ring	Junta De Tipo O	
8	6109373M91	1	Tube-Acum/R.Contrl Valve	Tuyauterie	Rohr Kpl	Conjunto De Tubería	
9	3519179M91	1	Connector	Borne	Doppelnippel	Conexión, Conj.	
10	#UNION	1	Union	Union	Union	Union	Ref. 9
11	831452M1	1	O Ring (Pack Of 10)	Joint Torique	O Ring	Junta De Tipo O	
12	6106193M92	1	Accumulator - Ride Control	Accumulateur	Akkumulator	Acumulador	
13	6101361M1	4	Clamp-Accumulator	Collier De Serrage	Halteschelle	Brida De Fijación	
14	339337X1	4	Bolt M8-30 Z5f	Goupille	Bolzen - M8 X 30	Perno	
15	394367X1	4	Nut, Hex. - Nyloc, M8	Ecrou Blocage M8	Flachmutter - M8	Tuerca De Retención	
16	255927A1	1	Decal - English	Adhésif	Aufkleber	Adhesivo	
17	256318A1	1	Decal - English	Adhésif	Aufkleber	Adhesivo	
18	6109375M91	1	Hose Assy - Return Ride Control	Flexible Ass.	Schlauch Kpl	Flexible, Conj.	
19	6109376M91	1	Adaptor	Adaptateur	Reduzienippel	Conexión, Conj.	
20	#CONNECTOR	1	Connector	Connector	Connector	Connector	Ref. 19
21	835026M1	1	O-Ring	Joint Torique	O-Ring	Junta De Tipo O	
22	6109468M91	1	Hose Assy - Ride Control	Flexible Ass.	Schlauch Kpl	Flexible, Conj.	
23	360202X91	2	Connector 9/16 X 3/4	Adaptateur	Reduzienippel	Unión	
24	#UNION	1	Union	Union	Union	Union	Ref. 23
25	831497M1	1	O-Ring	Joint Torique	O-Ring	Junta De Tipo O	
26	6110180M91	1	Hose Assy - Ride Control	Flexible Ass.	Schlauch Kpl	Flexible, Conj.	
27	6101777M91	1	Cover Assy. - Switch Operating	Cache	Abdeckung	Tapa	
28	6102490M1	1	Relay-Micro	Relais	Relais	Relé	



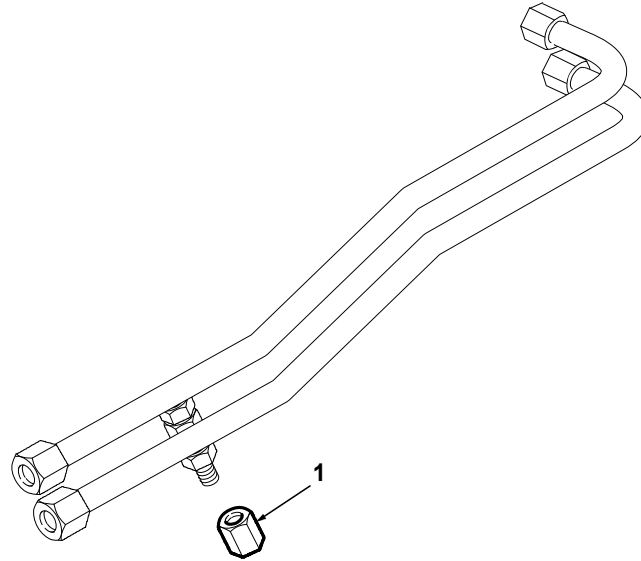
C-64001-02.1-A



Item	Part No.	Qty.	English	French	German	Spanish	Remarks
1	6100522M91	1	Solenoid Valve Assy	Soupape De Pilotage	Magnetventil	Válvula De Pilotaje	64001c01.1 1
2	#BODY	1	Body	Body	Body	Body	Ref. 1
3	6190749M91	1	Solenoid Cartridge	Solénoïde	Magnetspule	Solenoide	
4	#NUT	1	Nut	Ecrou	Mutter	Tuerca	Ref. 3
5	#SPOOL	1	Spool	Spool	Spool	Spool	Ref. 3
6	6190752M91	1	Kit Seal	Jeu Étanchéité	Dichtringsatz	Juego De Juntas	
7	6191096M91	1	Coil Assy.	Bobine	Wicklung, Spule	Bobina	
8	6190750M91	1	Solenoid Cartridge	Solénoïde	Magnetspule	Solenoide	
9	#NUT	1	Nut	Ecrou	Mutter	Tuerca	Ref. 8
10	#SPOOL	1	Spool	Spool	Spool	Spool	Ref. 8
11	6190752M91	1	Kit Seal	Jeu Étanchéité	Dichtringsatz	Juego De Juntas	
12	6191096M91	1	Coil Assy.	Bobine	Wicklung, Spule	Bobina	



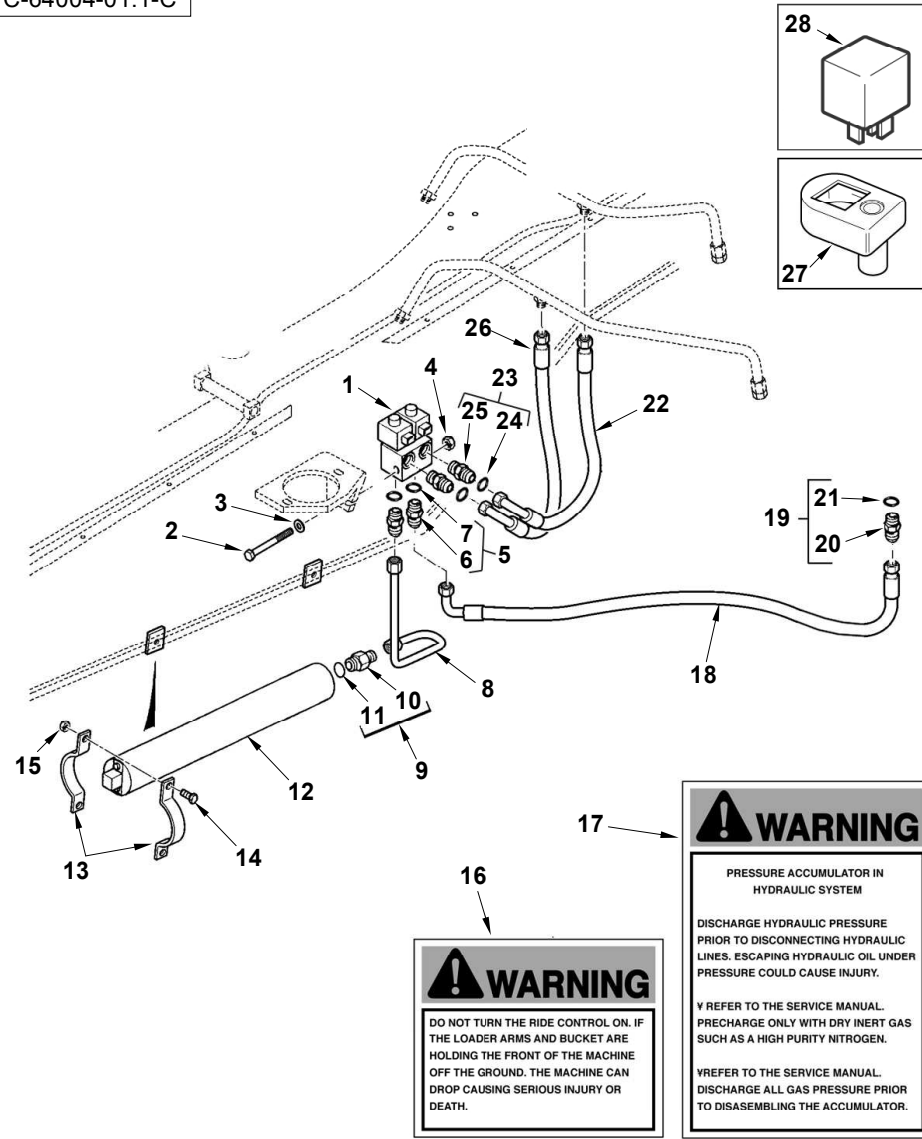
C-64002-01.1-A



<b>Item</b>	<b>Part No.</b>	<b>Qty.</b>	<b>English</b>	<b>French</b>	<b>German</b>	<b>Spanish</b>	<b>Remarks</b>
1	356579X1	2	Cap Tube 9/16	Capuchon	Wetterkappe	Sombreroete	



C-64004-01.1-C



**WARNING**

DO NOT TURN THE RIDE CONTROL ON. IF THE LOADER ARMS AND BUCKET ARE HOLDING THE FRONT OF THE MACHINE OFF THE GROUND, THE MACHINE CAN DROP CAUSING SERIOUS INJURY OR DEATH.

**WARNING**

PRESSURE ACCUMULATOR IN HYDRAULIC SYSTEM

DISCHARGE HYDRAULIC PRESSURE PRIOR TO DISCONNECTING HYDRAULIC LINES. ESCAPING HYDRAULIC OIL UNDER PRESSURE COULD CAUSE INJURY.

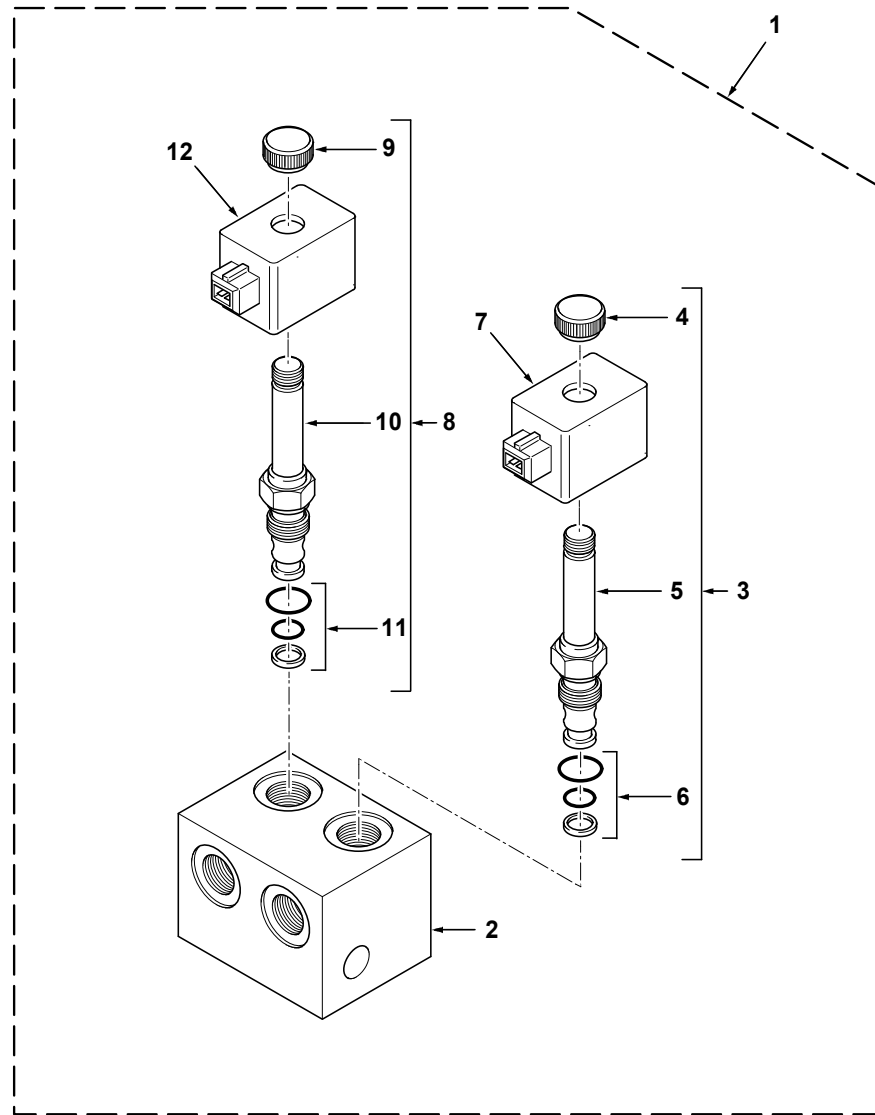
REFER TO THE SERVICE MANUAL. PRECHARGE ONLY WITH DRY INERT GAS SUCH AS A HIGH PURITY NITROGEN.

REFER TO THE SERVICE MANUAL. DISCHARGE ALL GAS PRESSURE PRIOR TO DISASSEMBLING THE ACCUMULATOR.

Item	Part No.	Qty.	English	French	German	Spanish	Remarks
1	6100522M91	1	Solenoid Valve Assy	Soupape De Pilotage	Magnetventil	Válvula De Pilotaje	64004c02.1 1
2	3009504X1	1	Bolt M10-100 Z5s	Goupille	Bolzen M10 X 100	Tornillo	
3	385362X1	1	Washer, Hardened - M10	Rondelle - M10	Unterlegscheibe M10	Arandela	
4	1440329X1	1	Nut, Hex. - Nyloc, M10	Ecrou Blocage	Flachmutter M10	Tuerca De Retención	
5	358743X91	2	Connector & O Ring	Borne	Doppelnippel	Unión	
6	#UNION	1	Union	Union	Union	Union	Ref. 5
7	831497M1	1	O-Ring	Joint Torique	O-Ring	Junta De Tipo O	
8	6109373M91	1	Tube-Acum/R.Contrl Valve	Tuyauterie	Rohr Kpl	Conjunto De Tubería	
9	3519179M91	1	Connector	Borne	Doppelnippel	Conexión, Conj.	
10	#UNION	1	Union	Union	Union	Union	Ref. 9
11	831452M1	1	O Ring (Pack Of 10)	Joint Torique	O Ring	Junta De Tipo O	
12	6106193M92	1	Accumulator - Ride Control	Accumulateur	Akkumulator	Acumulador	
13	6101361M1	4	Clamp-Accumulator	Collier De Serrage	Halteschelle	Brida De Fijación	
14	339337X1	4	Bolt M8-30 Z5f	Goupille	Bolzen - M8 X 30	Perno	
15	394367X1	4	Nut, Hex. - Nyloc, M8	Ecrou Blocage M8	Flachmutter - M8	Tuerca De Retención	
16	256464A1	1	Decal - French	Adhésif	Aufkleber	Adhesivo	
17	256453A1	1	Decal - French	Adhésif	Aufkleber	Adhesivo	
18	6109375M91	1	Hose Assy - Return Ride Control	Flexible Ass.	Schlauch Kpl	Flexible, Conj.	
19	6109376M91	1	Adaptor	Adaptateur	Reduzienippel	Conexión, Conj.	
20	#CONNECTOR	1	Connector	Connector	Connector	Connector	Ref. 19
21	835026M1	1	O-Ring	Joint Torique	O-Ring	Junta De Tipo O	
22	6109468M91	1	Hose Assy - Ride Control	Flexible Ass.	Schlauch Kpl	Flexible, Conj.	
23	360202X91	2	Connector 9/16 X 3/4	Adaptateur	Reduzienippel	Unión	
24	#UNION	1	Union	Union	Union	Union	Ref. 23
25	831497M1	1	O-Ring	Joint Torique	O-Ring	Junta De Tipo O	
26	6110180M91	1	Hose Assy - Ride Control	Flexible Ass.	Schlauch Kpl	Flexible, Conj.	
27	6101777M91	1	Cover Assy. - Switch Operating	Cache	Abdeckung	Tapa	
28	6102490M1	1	Relay-Micro	Relais	Relais	Relé	



C-64004-02.1-A

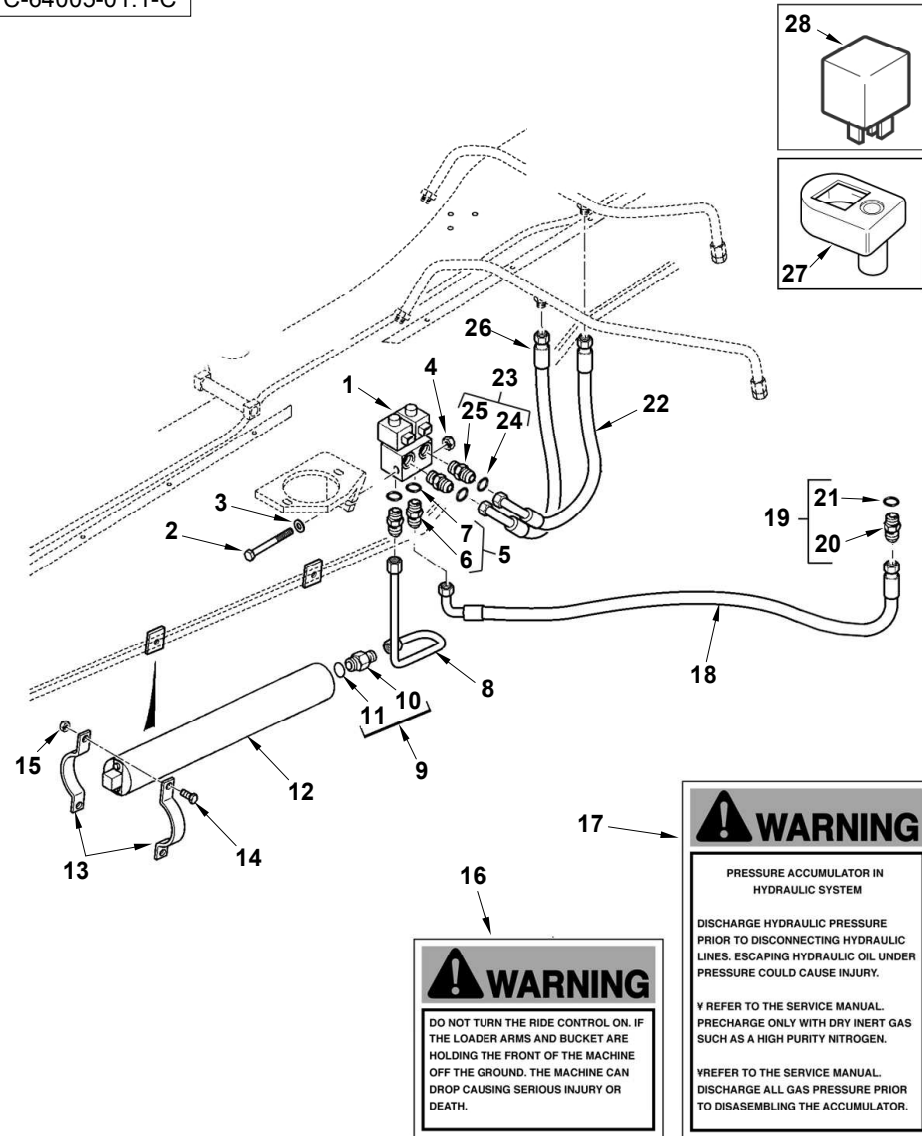




Item	Part No.	Qty.	English	French	German	Spanish	Remarks
1	6100522M91	1	Solenoid Valve Assy	Soupape De Pilotage	Magnetventil	Válvula De Pilotaje	64004c01.1 1
2	#BODY	1	Body	Body	Body	Body	Ref. 1
3	6190749M91	1	Solenoid Cartridge	Solénoïde	Magnetspule	Solenoide	
4	#NUT	1	Nut	Ecrou	Mutter	Tuerca	Ref. 3
5	#SPOOL	1	Spool	Spool	Spool	Spool	Ref. 3
6	6190752M91	1	Kit Seal	Jeu Étanchéité	Dichtringsatz	Juego De Juntas	
7	6191096M91	1	Coil Assy.	Bobine	Wicklung, Spule	Bobina	
8	6190750M91	1	Solenoid Cartridge	Solénoïde	Magnetspule	Solenoide	
9	#NUT	1	Nut	Ecrou	Mutter	Tuerca	Ref. 8
10	#SPOOL	1	Spool	Spool	Spool	Spool	Ref. 8
11	6190752M91	1	Kit Seal	Jeu Étanchéité	Dichtringsatz	Juego De Juntas	
12	6191096M91	1	Coil Assy.	Bobine	Wicklung, Spule	Bobina	



C-64005-01.1-C



**WARNING**

DO NOT TURN THE RIDE CONTROL ON. IF THE LOADER ARMS AND BUCKET ARE HOLDING THE FRONT OF THE MACHINE OFF THE GROUND. THE MACHINE CAN DROP CAUSING SERIOUS INJURY OR DEATH.

**WARNING**

PRESSURE ACCUMULATOR IN HYDRAULIC SYSTEM

DISCHARGE HYDRAULIC PRESSURE PRIOR TO DISCONNECTING HYDRAULIC LINES. ESCAPING HYDRAULIC OIL UNDER PRESSURE COULD CAUSE INJURY.

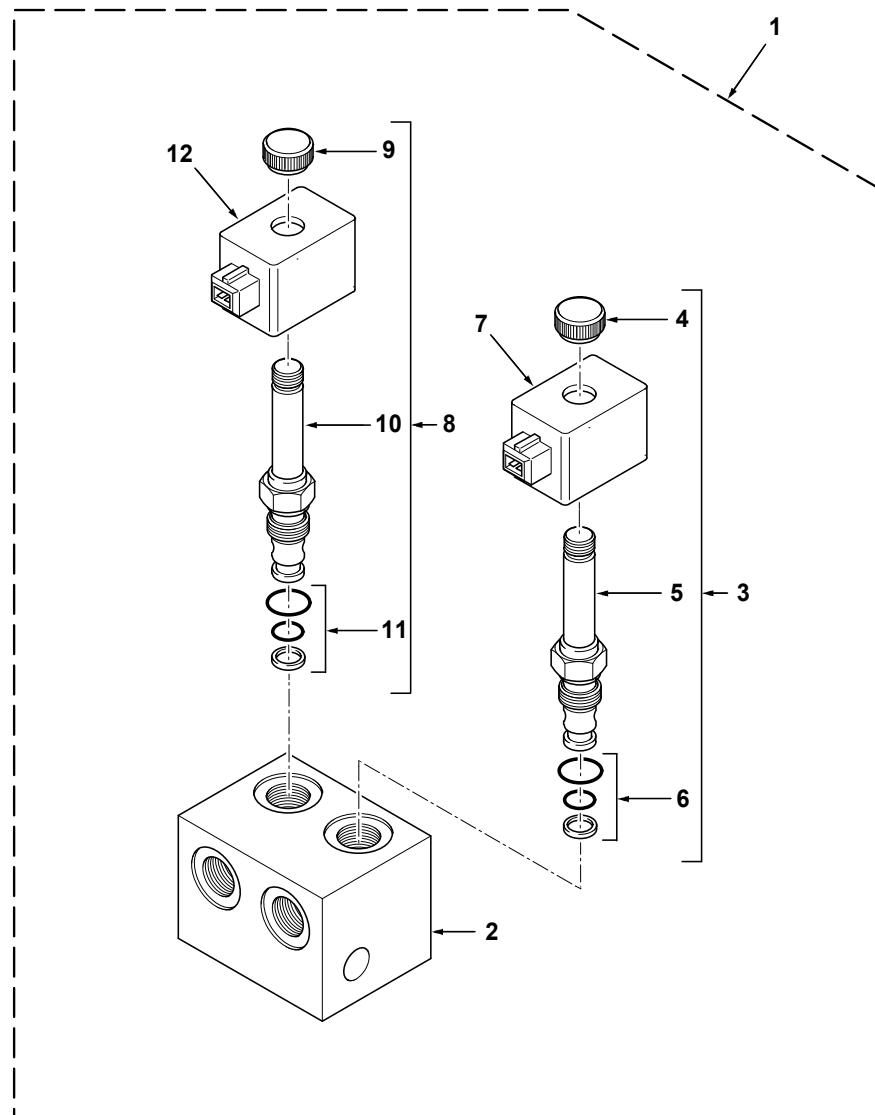
REFER TO THE SERVICE MANUAL. PRECHARGE ONLY WITH DRY INERT GAS SUCH AS A HIGH PURITY NITROGEN.

REFER TO THE SERVICE MANUAL. DISCHARGE ALL GAS PRESSURE PRIOR TO DISASSEMBLING THE ACCUMULATOR.

Item	Part No.	Qty.	English	French	German	Spanish	Remarks
1	6100522M91	1	Solenoid Valve Assy	Soupape De Pilotage	Magnetventil	Válvula De Pilotaje	64005c02.1 1
2	3009504X1	1	Bolt M10-100 Z5s	Goupille	Bolzen M10 X 100	Tornillo	
3	385362X1	1	Washer, Hardened - M10	Rondelle - M10	Unterlegscheibe M10	Arandela	
4	1440329X1	1	Nut, Hex. - Nyloc, M10	Ecrou Blocage	Flachmutter M10	Tuerca De Retención	
5	358743X91	2	Connector & O Ring	Borne	Doppelnippel	Unión	
6	#UNION	1	Union	Union	Union	Union	Ref. 5
7	831497M1	1	O-Ring	Joint Torique	O-Ring	Junta De Tipo O	
8	6109373M91	1	Tube-Acum/R.Contrl Valve	Tuyauterie	Rohr Kpl	Conjunto De Tubería	
9	3519179M91	1	Connector	Borne	Doppelnippel	Conexión, Conj.	
10	#UNION	1	Union	Union	Union	Union	Ref. 9
11	831452M1	1	O Ring (Pack Of 10)	Joint Torique	O Ring	Junta De Tipo O	
12	6106193M92	1	Accumulator - Ride Control	Accumulateur	Akkumulator	Acumulador	
13	6101361M1	4	Clamp-Accumulator	Collier De Serrage	Halteschelle	Brida De Fijación	
14	339337X1	4	Bolt M8-30 Z5f	Goupille	Bolzen - M8 X 30	Perno	
15	394367X1	4	Nut, Hex. - Nyloc, M8	Ecrou Blocage M8	Flachmutter - M8	Tuerca De Retención	
16	256465A1	1	Decal - German	Adhésif	Aufkleber	Adhesivo	
17	256454A1	1	Decal - German	Adhésif	Aufkleber	Adhesivo	
18	6109375M91	1	Hose Assy - Return Ride Control	Flexible Ass.	Schlauch Kpl	Flexible, Conj.	
19	6109376M91	1	Adaptor	Adaptateur	Reduzienippel	Conexión, Conj.	
20	#CONNECTOR	1	Connector	Connector	Connector	Connector	Ref. 19
21	835026M1	1	O-Ring	Joint Torique	O-Ring	Junta De Tipo O	
22	6109468M91	1	Hose Assy - Ride Control	Flexible Ass.	Schlauch Kpl	Flexible, Conj.	
23	360202X91	2	Connector 9/16 X 3/4	Adaptateur	Reduzienippel	Unión	
24	#UNION	1	Union	Union	Union	Union	Ref. 23
25	831497M1	1	O-Ring	Joint Torique	O-Ring	Junta De Tipo O	
26	6110180M91	1	Hose Assy - Ride Control	Flexible Ass.	Schlauch Kpl	Flexible, Conj.	
27	6101777M91	1	Cover Assy. - Switch Operating	Cache	Abdeckung	Tapa	
28	6102490M1	1	Relay-Micro	Relais	Relais	Relé	

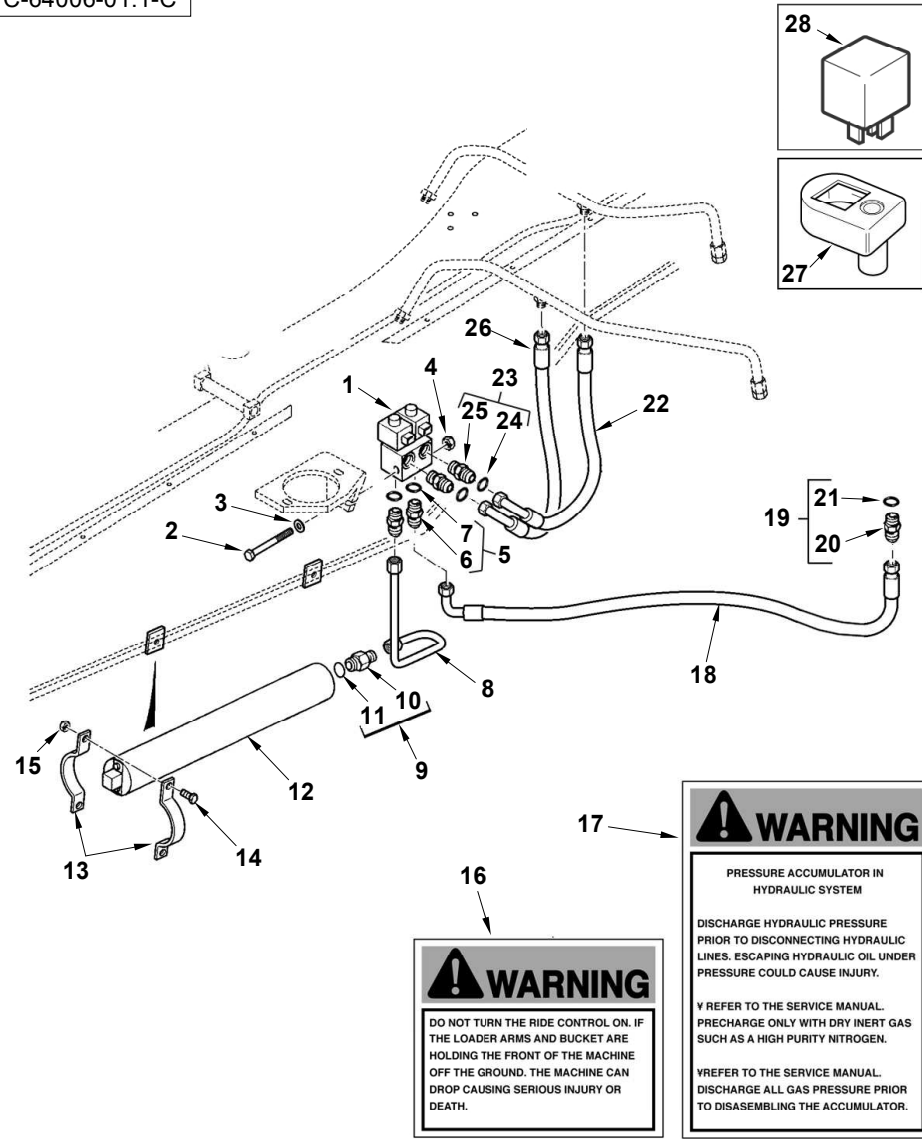


C-64005-02.1-A



Item	Part No.	Qty.	English	French	German	Spanish	Remarks
1	6100522M91	1	Solenoid Valve Assy	Soupape De Pilotage	Magnetventil	Válvula De Pilotaje	64005c01.1 1
2	#BODY	1	Body	Body	Body	Body	Ref. 1
3	6190749M91	1	Solenoid Cartridge	Solénoïde	Magnetspule	Solenoide	
4	#NUT	1	Nut	Ecrou	Mutter	Tuerca	Ref. 3
5	#SPOOL	1	Spool	Spool	Spool	Spool	Ref. 3
6	6190752M91	1	Kit Seal	Jeu Étanchéité	Dichtringsatz	Juego De Juntas	
7	6191096M91	1	Coil Assy.	Bobine	Wicklung, Spule	Bobina	
8	6190750M91	1	Solenoid Cartridge	Solénoïde	Magnetspule	Solenoide	
9	#NUT	1	Nut	Ecrou	Mutter	Tuerca	Ref. 8
10	#SPOOL	1	Spool	Spool	Spool	Spool	Ref. 8
11	6190752M91	1	Kit Seal	Jeu Étanchéité	Dichtringsatz	Juego De Juntas	
12	6191096M91	1	Coil Assy.	Bobine	Wicklung, Spule	Bobina	

C-64006-01.1-C



**WARNING**

DO NOT TURN THE RIDE CONTROL ON. IF THE LOADER ARMS AND BUCKET ARE HOLDING THE FRONT OF THE MACHINE OFF THE GROUND. THE MACHINE CAN DROP CAUSING SERIOUS INJURY OR DEATH.

**WARNING**

PRESSURE ACCUMULATOR IN HYDRAULIC SYSTEM

DISCHARGE HYDRAULIC PRESSURE PRIOR TO DISCONNECTING HYDRAULIC LINES. ESCAPING HYDRAULIC OIL UNDER PRESSURE COULD CAUSE INJURY.

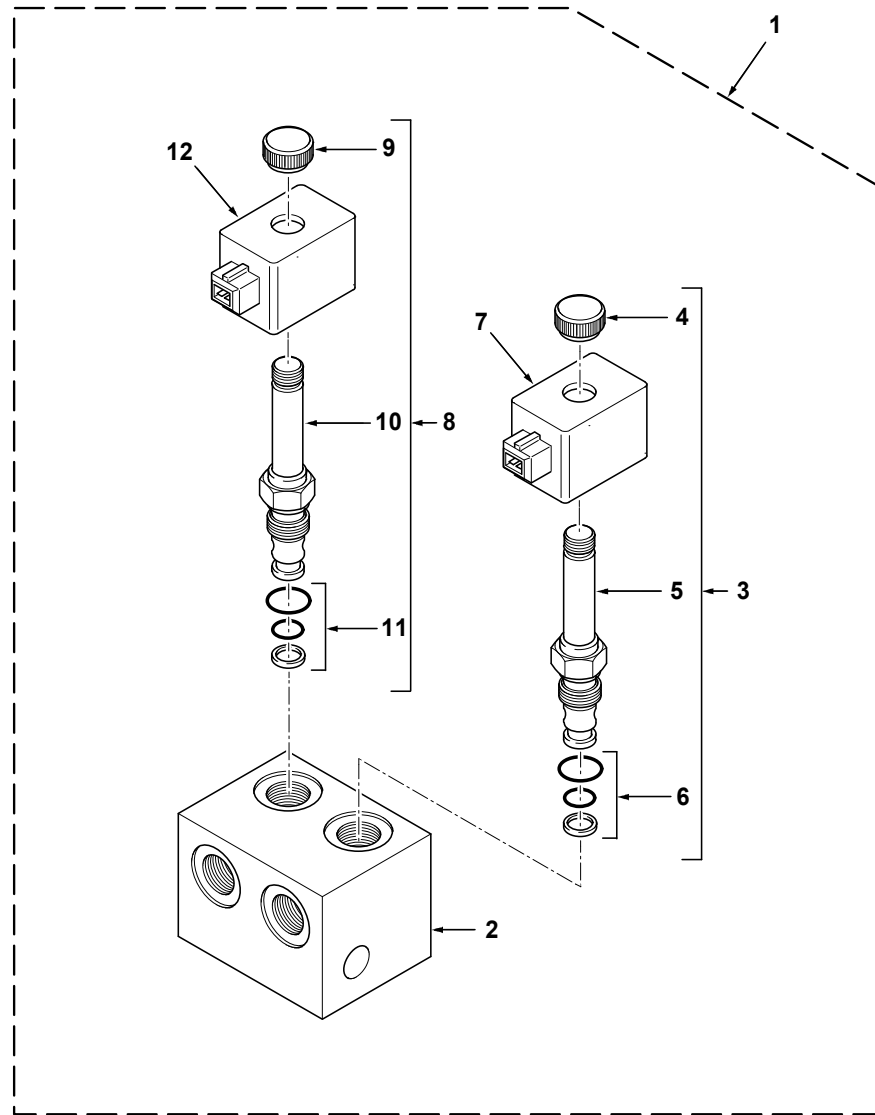
REFER TO THE SERVICE MANUAL. PRECHARGE ONLY WITH DRY INERT GAS SUCH AS A HIGH PURITY NITROGEN.

REFER TO THE SERVICE MANUAL. DISCHARGE ALL GAS PRESSURE PRIOR TO DISASSEMBLING THE ACCUMULATOR.

Item	Part No.	Qty.	English	French	German	Spanish	Remarks
1	6100522M91	1	Solenoid Valve Assy	Soupape De Pilotage	Magnetventil	Válvula De Pilotaje	64006c02.1 1
2	3009504X1	1	Bolt M10-100 Z5s	Goupille	Bolzen M10 X 100	Tornillo	
3	385362X1	1	Washer, Hardened - M10	Rondelle - M10	Unterlegscheibe M10	Arandela	
4	1440329X1	1	Nut, Hex. - Nyloc, M10	Ecrou Blocage	Flachmutter M10	Tuerca De Retención	
5	358743X91	2	Connector & O Ring	Borne	Doppelnippel	Unión	
6	#UNION	1	Union	Union	Union	Union	Ref. 5
7	831497M1	1	O-Ring	Joint Torique	O-Ring	Junta De Tipo O	
8	6109373M91	1	Tube-Acum/R.Contrl Valve	Tuyauterie	Rohr Kpl	Conjunto De Tubería	
9	3519179M91	1	Connector	Borne	Doppelnippel	Conexión, Conj.	
10	#UNION	1	Union	Union	Union	Union	Ref. 9
11	831452M1	1	O Ring (Pack Of 10)	Joint Torique	O Ring	Junta De Tipo O	
12	6106193M92	1	Accumulator - Ride Control	Accumulateur	Akkumulator	Acumulador	
13	6101361M1	4	Clamp-Accumulator	Collier De Serrage	Halteschelle	Brida De Fijación	
14	339337X1	4	Bolt M8-30 Z5f	Goupille	Bolzen - M8 X 30	Perno	
15	394367X1	4	Nut, Hex. - Nyloc, M8	Ecrou Blocage M8	Flachmutter - M8	Tuerca De Retención	
16	256468A1	1	Decal - Italian	Adhésif	Aufkleber	Adhesivo	
17	256457A1	1	Decal - Italian	Adhésif	Aufkleber	Adhesivo	
18	6109375M91	1	Hose Assy - Return Ride Control	Flexible Ass.	Schlauch Kpl	Flexible, Conj.	
19	6109376M91	1	Adaptor	Adaptateur	Reduzienippel	Conexión, Conj.	
20	#CONNECTOR	1	Connector	Connector	Connector	Connector	Ref. 19
21	835026M1	1	O-Ring	Joint Torique	O-Ring	Junta De Tipo O	
22	6109468M91	1	Hose Assy - Ride Control	Flexible Ass.	Schlauch Kpl	Flexible, Conj.	
23	360202X91	2	Connector 9/16 X 3/4	Adaptateur	Reduzienippel	Unión	
24	#UNION	1	Union	Union	Union	Union	Ref. 23
25	831497M1	1	O-Ring	Joint Torique	O-Ring	Junta De Tipo O	
26	6110180M91	1	Hose Assy - Ride Control	Flexible Ass.	Schlauch Kpl	Flexible, Conj.	
27	6101777M91	1	Cover Assy. - Switch Operating	Cache	Abdeckung	Tapa	
28	6102490M1	1	Relay-Micro	Relais	Relais	Relé	



C-64006-02.1-A

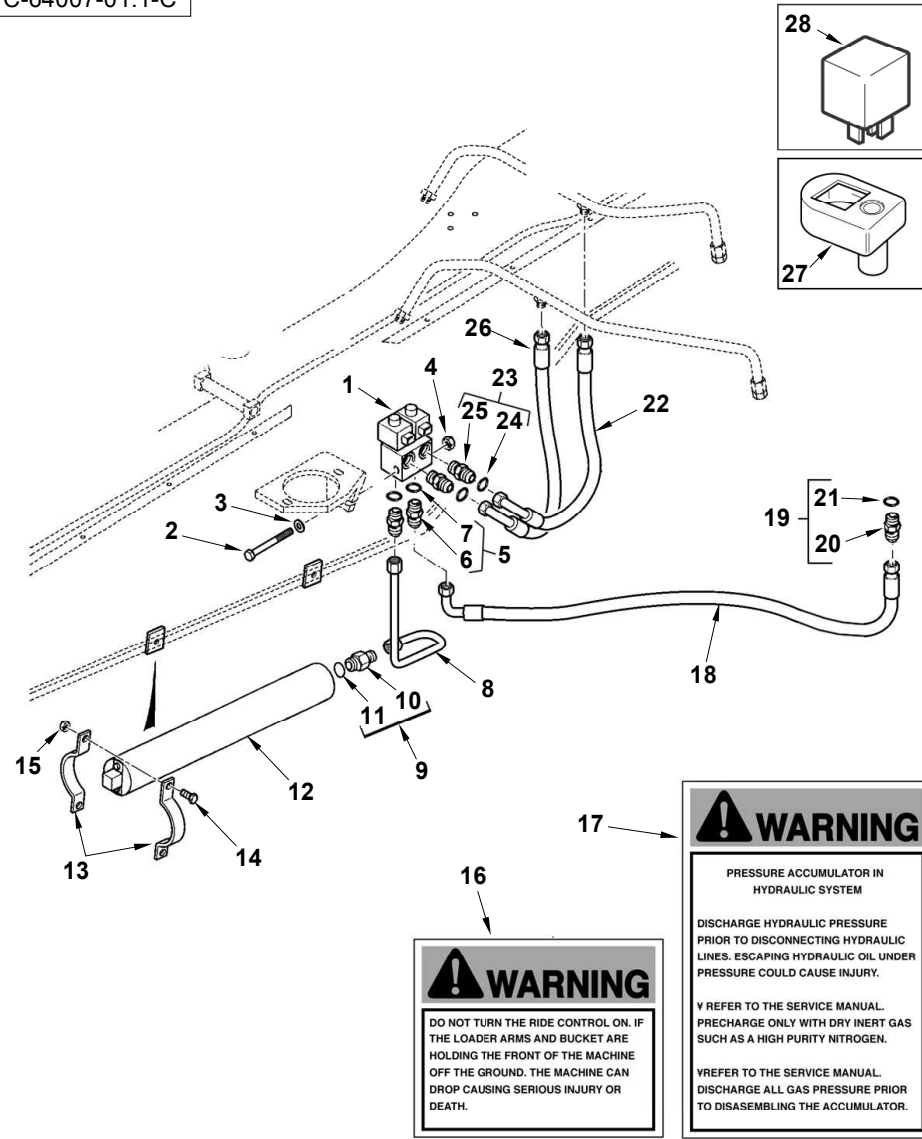




Item	Part No.	Qty.	English	French	German	Spanish	Remarks
1	6100522M91	1	Solenoid Valve Assy	Soupape De Pilotage	Magnetventil	Válvula De Pilotaje	64006c01.1 1
2	#BODY	1	Body	Body	Body	Body	Ref. 1
3	6190749M91	1	Solenoid Cartridge	Solénoïde	Magnetspule	Solenoide	
4	#NUT	1	Nut	Ecrou	Mutter	Tuerca	Ref. 3
5	#SPOOL	1	Spool	Spool	Spool	Spool	Ref. 3
6	6190752M91	1	Kit Seal	Jeu Étanchéité	Dichtringsatz	Juego De Juntas	
7	6191096M91	1	Coil Assy.	Bobine	Wicklung, Spule	Bobina	
8	6190750M91	1	Solenoid Cartridge	Solénoïde	Magnetspule	Solenoide	
9	#NUT	1	Nut	Ecrou	Mutter	Tuerca	Ref. 8
10	#SPOOL	1	Spool	Spool	Spool	Spool	Ref. 8
11	6190752M91	1	Kit Seal	Jeu Étanchéité	Dichtringsatz	Juego De Juntas	
12	6191096M91	1	Coil Assy.	Bobine	Wicklung, Spule	Bobina	



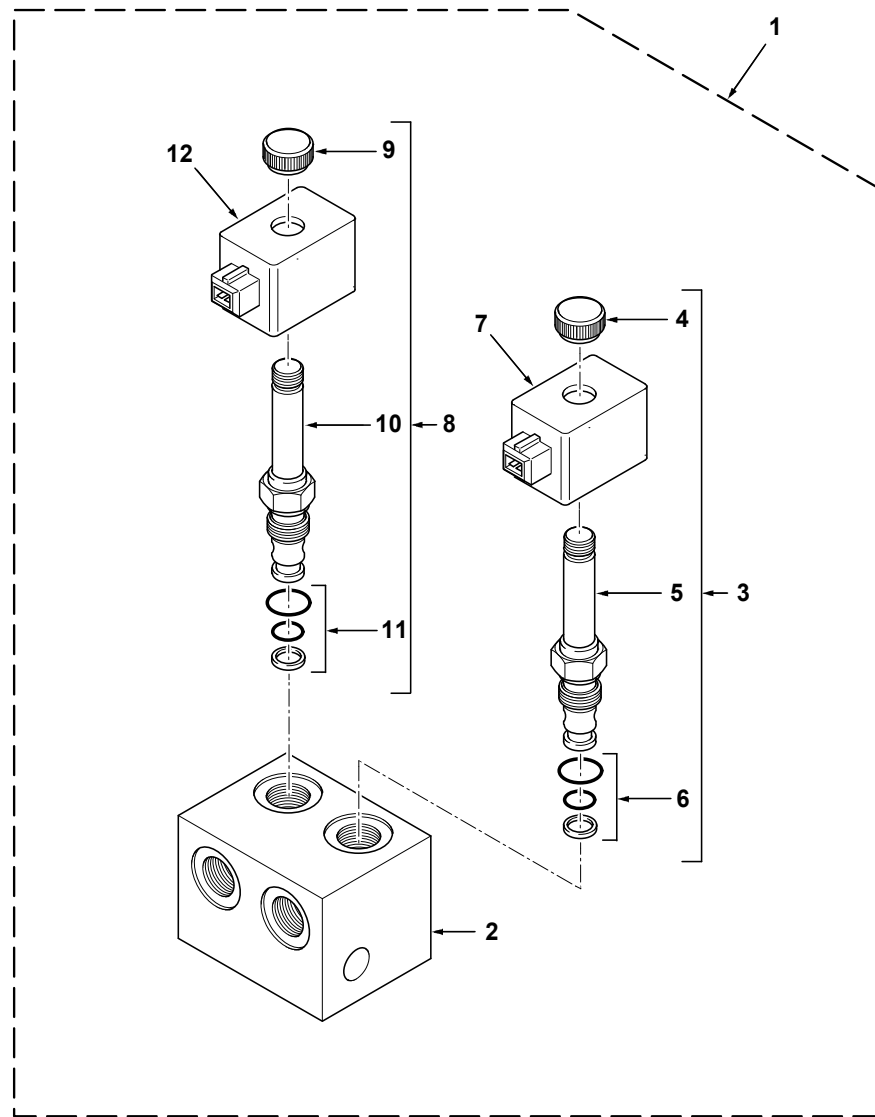
C-64007-01.1-C



Item	Part No.	Qty.	English	French	German	Spanish	Remarks
1	6100522M91	1	Solenoid Valve Assy	Soupape De Pilotage	Magnetventil	Válvula De Pilotaje	64007c02.1 1
2	3009504X1	1	Bolt M10-100 Z5s	Goupille	Bolzen M10 X 100	Tornillo	
3	385362X1	1	Washer, Hardened - M10	Rondelle - M10	Unterlegscheibe M10	Arandela	
4	1440329X1	1	Nut, Hex. - Nyloc, M10	Ecrou Blocage	Flachmutter M10	Tuerca De Retención	
5	358743X91	2	Connector & O Ring	Borne	Doppelnippel	Unión	
6	#UNION	1	Union	Union	Union	Union	Ref. 5
7	831497M1	1	O-Ring	Joint Torique	O-Ring	Junta De Tipo O	
8	6109373M91	1	Tube-Acum/R.Contrl Valve	Tuyauterie	Rohr Kpl	Conjunto De Tubería	
9	3519179M91	1	Connector	Borne	Doppelnippel	Conexión, Conj.	
10	#UNION	1	Union	Union	Union	Union	Ref. 9
11	831452M1	1	O Ring (Pack Of 10)	Joint Torique	O Ring	Junta De Tipo O	
12	6106193M92	1	Accumulator - Ride Control	Accumulateur	Akkumulator	Acumulador	
13	6101361M1	4	Clamp-Accumulator	Collier De Serrage	Halteschelle	Brida De Fijación	
14	339337X1	4	Bolt M8-30 Z5f	Goupille	Bolzen - M8 X 30	Perno	
15	394367X1	4	Nut, Hex. - Nyloc, M8	Ecrou Blocage M8	Flachmutter - M8	Tuerca De Retención	
16	256467A1	1	Decal - Spanish	Adhésif	Aufkleber	Adhesivo	
17	256456A1	1	Decal - Spanish	Adhésif	Aufkleber	Adhesivo	
18	6109375M91	1	Hose Assy - Return Ride Control	Flexible Ass.	Schlauch Kpl	Flexible, Conj.	
19	6109376M91	1	Adaptor	Adaptateur	Reduzienippel	Conexión, Conj.	
20	#CONNECTOR	1	Connector	Connector	Connector	Connector	Ref. 19
21	835026M1	1	O-Ring	Joint Torique	O-Ring	Junta De Tipo O	
22	6109468M91	1	Hose Assy - Ride Control	Flexible Ass.	Schlauch Kpl	Flexible, Conj.	
23	360202X91	2	Connector 9/16 X 3/4	Adaptateur	Reduzienippel	Unión	
24	#UNION	1	Union	Union	Union	Union	Ref. 23
25	831497M1	1	O-Ring	Joint Torique	O-Ring	Junta De Tipo O	
26	6110180M91	1	Hose Assy - Ride Control	Flexible Ass.	Schlauch Kpl	Flexible, Conj.	
27	6101777M91	1	Cover Assy. - Switch Operating	Cache	Abdeckung	Tapa	
28	6102490M1	1	Relay-Micro	Relais	Relais	Relé	

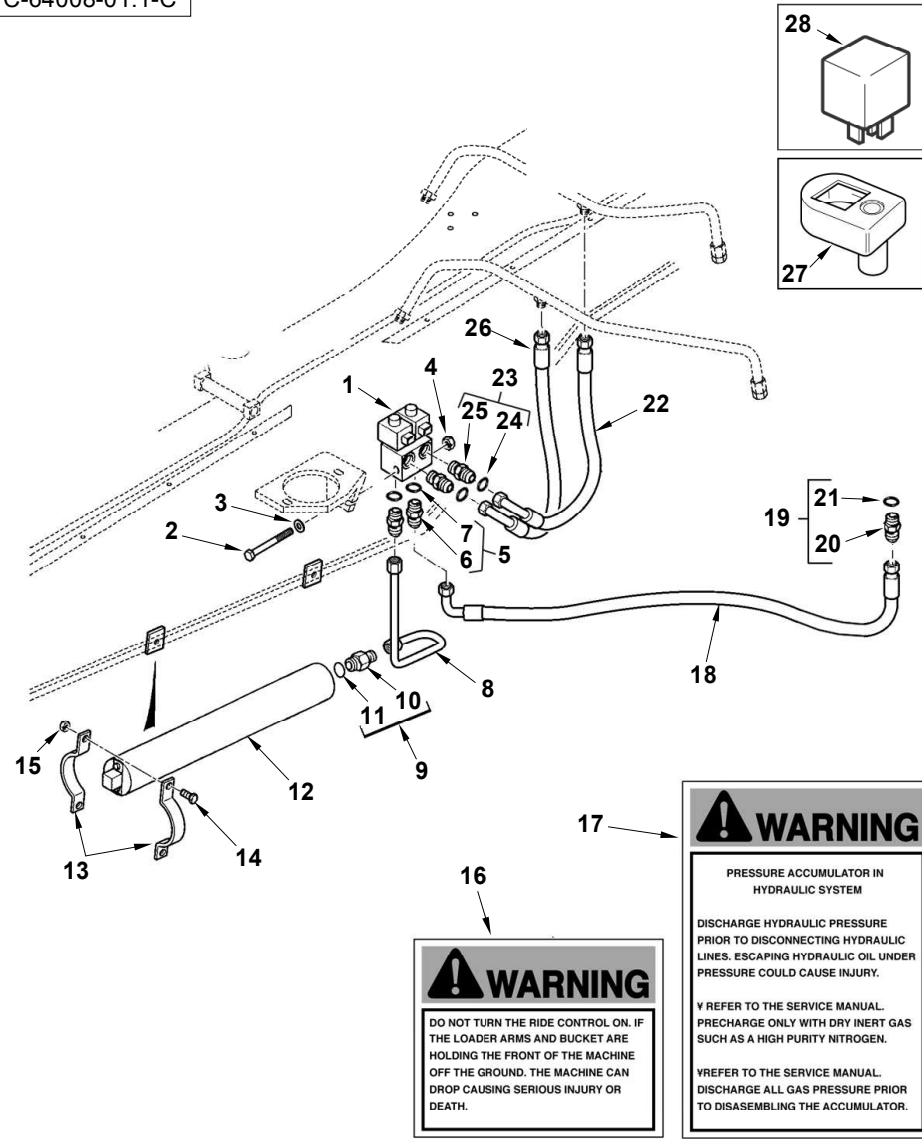


C-64007-02.1-A



Item	Part No.	Qty.	English	French	German	Spanish	Remarks
1	6100522M91	1	Solenoid Valve Assy	Soupape De Pilotage	Magnetventil	Válvula De Pilotaje	64007c01.1 1
2	#BODY	1	Body	Body	Body	Body	Ref. 1
3	6190749M91	1	Solenoid Cartridge	Solénoïde	Magnetspule	Solenoide	
4	#NUT	1	Nut	Ecrou	Mutter	Tuerca	Ref. 3
5	#SPOOL	1	Spool	Spool	Spool	Spool	Ref. 3
6	6190752M91	1	Kit Seal	Jeu Étanchéité	Dichtringsatz	Juego De Juntas	
7	6191096M91	1	Coil Assy.	Bobine	Wicklung, Spule	Bobina	
8	6190750M91	1	Solenoid Cartridge	Solénoïde	Magnetspule	Solenoide	
9	#NUT	1	Nut	Ecrou	Mutter	Tuerca	Ref. 8
10	#SPOOL	1	Spool	Spool	Spool	Spool	Ref. 8
11	6190752M91	1	Kit Seal	Jeu Étanchéité	Dichtringsatz	Juego De Juntas	
12	6191096M91	1	Coil Assy.	Bobine	Wicklung, Spule	Bobina	

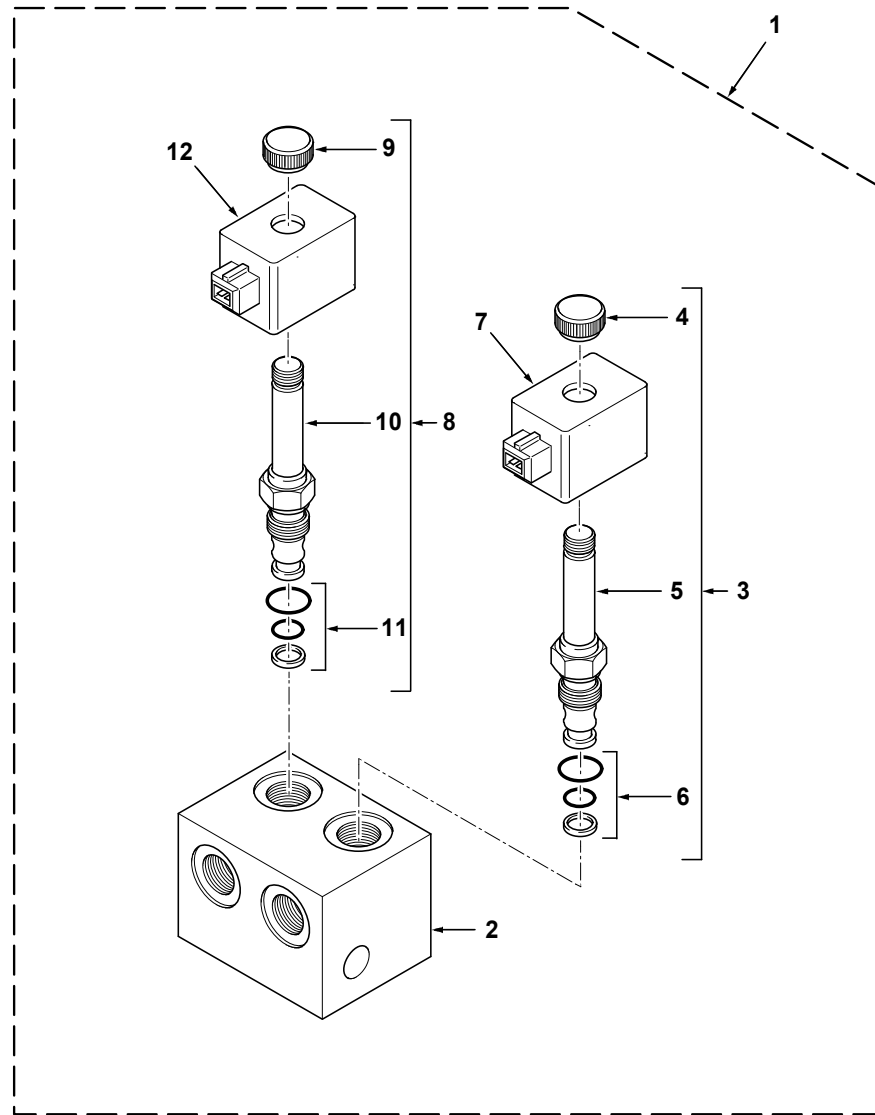
C-64008-01.1-C



Item	Part No.	Qty.	English	French	German	Spanish	Remarks
1	6100522M91	1	Solenoid Valve Assy	Soupape De Pilotage	Magnetventil	Válvula De Pilotaje	64008c02.1 1
2	3009504X1	1	Bolt M10-100 Z5s	Goupille	Bolzen M10 X 100	Tornillo	
3	385362X1	1	Washer, Hardened - M10	Rondelle - M10	Unterlegscheibe M10	Arandela	
4	1440329X1	1	Nut, Hex. - Nyloc, M10	Ecrou Blocage	Flachmutter M10	Tuerca De Retención	
5	358743X91	2	Connector & O Ring	Borne	Doppelnippel	Unión	
6	#UNION	1	Union	Union	Union	Union	Ref. 5
7	831497M1	1	O-Ring	Joint Torique	O-Ring	Junta De Tipo O	
8	6109373M91	1	Tube-Acum/R.Contrl Valve	Tuyauterie	Rohr Kpl	Conjunto De Tubería	
9	3519179M91	1	Connector	Borne	Doppelnippel	Conexión, Conj.	
10	#UNION	1	Union	Union	Union	Union	Ref. 9
11	831452M1	1	O Ring (Pack Of 10)	Joint Torique	O Ring	Junta De Tipo O	
12	6106193M92	1	Accumulator - Ride Control	Accumulateur	Akkumulator	Acumulador	
13	6101361M1	4	Clamp-Accumulator	Collier De Serrage	Halteschelle	Brida De Fijación	
14	339337X1	4	Bolt M8-30 Z5f	Goupille	Bolzen - M8 X 30	Perno	
15	394367X1	4	Nut, Hex. - Nyloc, M8	Ecrou Blocage M8	Flachmutter - M8	Tuerca De Retención	
16	256474A1	1	Decal Rcs Dut	Adhésif	Aufkleber	Adhesivo	
17	256463A1	1	Decal Rcs Dut	Adhésif	Aufkleber	Adhesivo	
18	6109375M91	1	Hose Assy - Return Ride Control	Flexible Ass.	Schlauch Kpl	Flexible, Conj.	
19	6109376M91	1	Adaptor	Adaptateur	Reduzienippel	Conexión, Conj.	
20	#CONNECTOR	1	Connector	Connector	Connector	Connector	Ref. 19
21	835026M1	1	O-Ring	Joint Torique	O-Ring	Junta De Tipo O	
22	6109468M91	1	Hose Assy - Ride Control	Flexible Ass.	Schlauch Kpl	Flexible, Conj.	
23	360202X91	2	Connector 9/16 X 3/4	Adaptateur	Reduzienippel	Unión	
24	#UNION	1	Union	Union	Union	Union	Ref. 23
25	831497M1	1	O-Ring	Joint Torique	O-Ring	Junta De Tipo O	
26	6110180M91	1	Hose Assy - Ride Control	Flexible Ass.	Schlauch Kpl	Flexible, Conj.	
27	6101777M91	1	Cover Assy. - Switch Operating	Cache	Abdeckung	Tapa	
28	6102490M1	1	Relay-Micro	Relais	Relais	Relé	



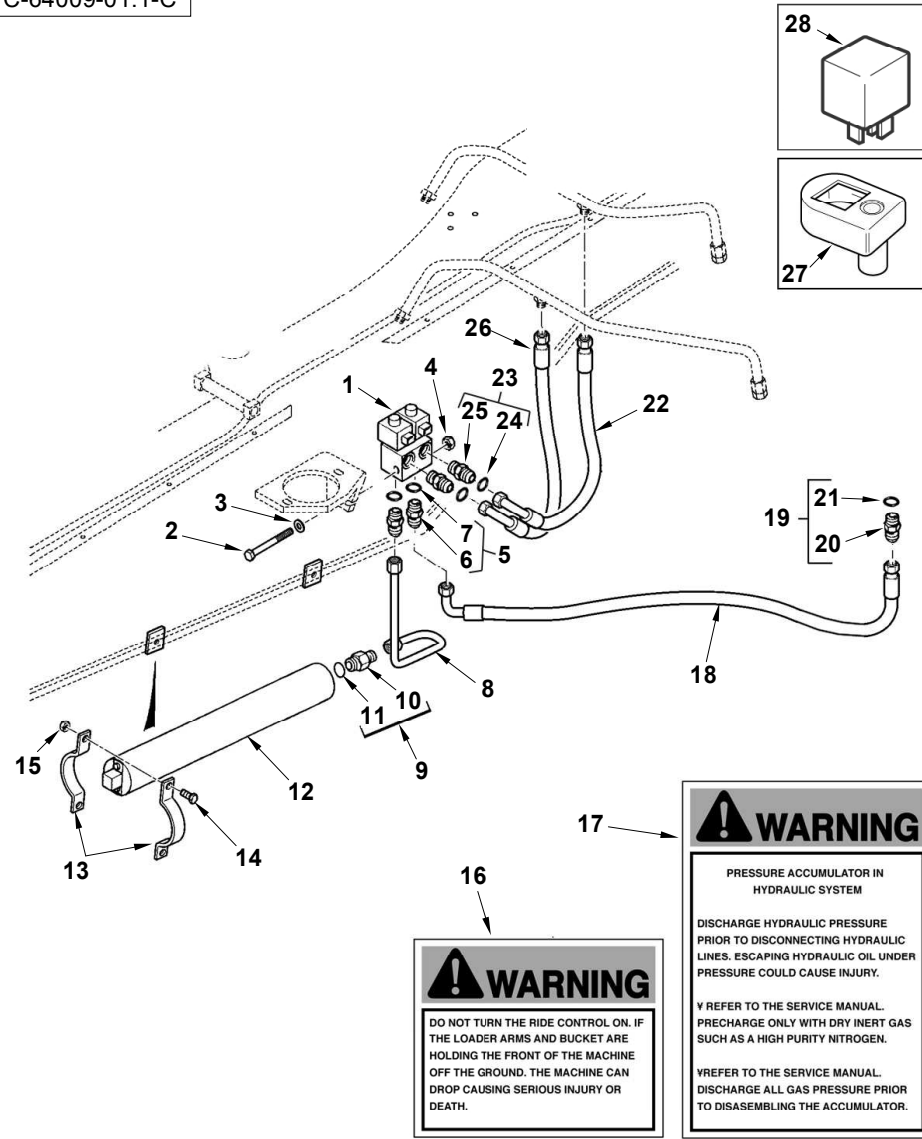
C-64008-02.1-A





Item	Part No.	Qty.	English	French	German	Spanish	Remarks
1	6100522M91	1	Solenoid Valve Assy	Soupape De Pilotage	Magnetventil	Válvula De Pilotaje	64008c01.1 1
2	#BODY	1	Body	Body	Body	Body	Ref. 1
3	6190749M91	1	Solenoid Cartridge	Solénoïde	Magnetspule	Solenoide	
4	#NUT	1	Nut	Ecrou	Mutter	Tuerca	Ref. 3
5	#SPOOL	1	Spool	Spool	Spool	Spool	Ref. 3
6	6190752M91	1	Kit Seal	Jeu Étanchéité	Dichtringsatz	Juego De Juntas	
7	6191096M91	1	Coil Assy.	Bobine	Wicklung, Spule	Bobina	
8	6190750M91	1	Solenoid Cartridge	Solénoïde	Magnetspule	Solenoide	
9	#NUT	1	Nut	Ecrou	Mutter	Tuerca	Ref. 8
10	#SPOOL	1	Spool	Spool	Spool	Spool	Ref. 8
11	6190752M91	1	Kit Seal	Jeu Étanchéité	Dichtringsatz	Juego De Juntas	
12	6191096M91	1	Coil Assy.	Bobine	Wicklung, Spule	Bobina	

C-64009-01.1-C



**WARNING**

DO NOT TURN THE RIDE CONTROL ON. IF THE LOADER ARMS AND BUCKET ARE HOLDING THE FRONT OF THE MACHINE OFF THE GROUND. THE MACHINE CAN DROP CAUSING SERIOUS INJURY OR DEATH.

**WARNING**

PRESSURE ACCUMULATOR IN HYDRAULIC SYSTEM

DISCHARGE HYDRAULIC PRESSURE PRIOR TO DISCONNECTING HYDRAULIC LINES. ESCAPING HYDRAULIC OIL UNDER PRESSURE COULD CAUSE INJURY.

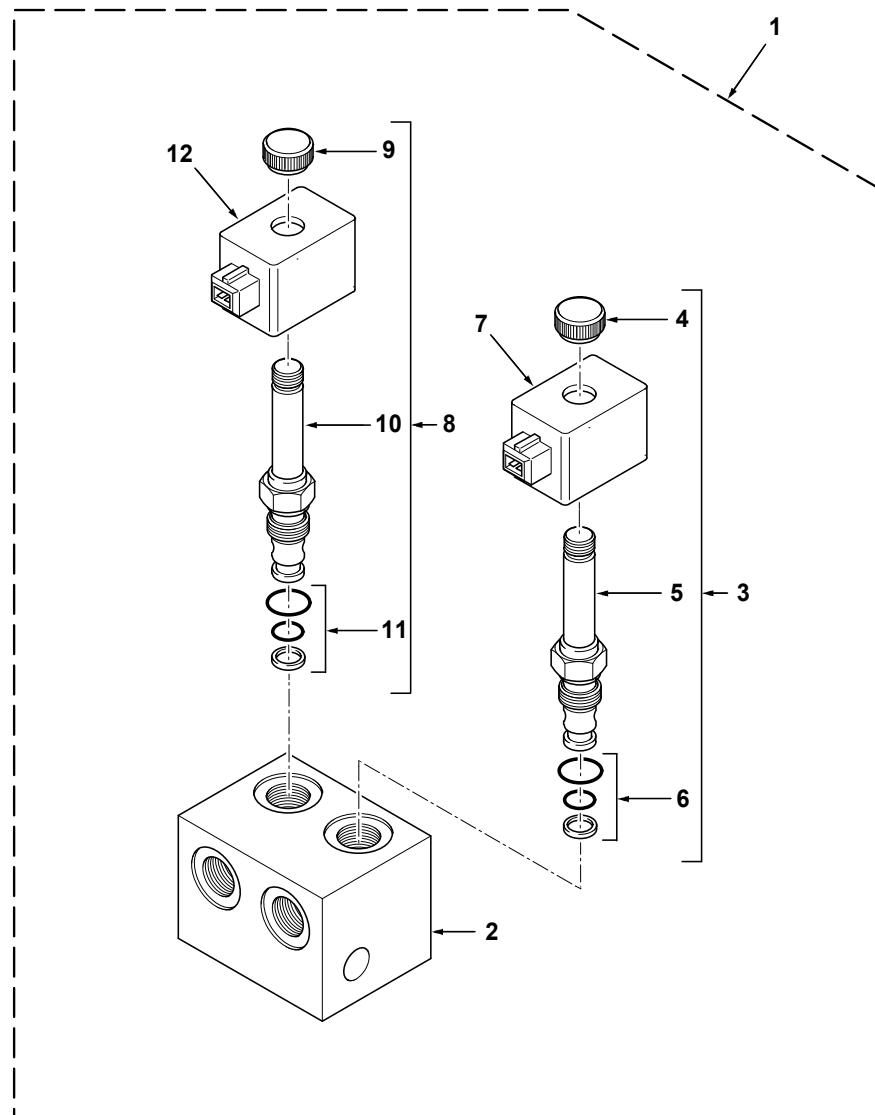
REFER TO THE SERVICE MANUAL. PRECHARGE ONLY WITH DRY INERT GAS SUCH AS A HIGH PURITY NITROGEN.

REFER TO THE SERVICE MANUAL. DISCHARGE ALL GAS PRESSURE PRIOR TO DISASSEMBLING THE ACCUMULATOR.

Item	Part No.	Qty.	English	French	German	Spanish	Remarks
1	6100522M91	1	Solenoid Valve Assy	Soupape De Pilotage	Magnetventil	Válvula De Pilotaje	64009c02.1 1
2	3009504X1	1	Bolt M10-100 Z5s	Goupille	Bolzen M10 X 100	Tornillo	
3	385362X1	1	Washer, Hardened - M10	Rondelle - M10	Unterlegscheibe M10	Arandela	
4	1440329X1	1	Nut, Hex. - Nyloc, M10	Ecrou Blocage	Flachmutter M10	Tuerca De Retención	
5	358743X91	2	Connector & O Ring	Borne	Doppelnippel	Unión	
6	#UNION	1	Union	Union	Union	Union	Ref. 5
7	831497M1	1	O-Ring	Joint Torique	O-Ring	Junta De Tipo O	
8	6109373M91	1	Tube-Acum/R.Contrl Valve	Tuyauterie	Rohr Kpl	Conjunto De Tubería	
9	3519179M91	1	Connector	Borne	Doppelnippel	Conexión, Conj.	
10	#UNION	1	Union	Union	Union	Union	Ref. 9
11	831452M1	1	O Ring (Pack Of 10)	Joint Torique	O Ring	Junta De Tipo O	
12	6106193M92	1	Accumulator - Ride Control	Accumulateur	Akkumulator	Acumulador	
13	6101361M1	4	Clamp-Accumulator	Collier De Serrage	Halteschelle	Brida De Fijación	
14	339337X1	4	Bolt M8-30 Z5f	Goupille	Bolzen - M8 X 30	Perno	
15	394367X1	4	Nut, Hex. - Nyloc, M8	Ecrou Blocage M8	Flachmutter - M8	Tuerca De Retención	
16	256466A1	1	Decal - Danish	Adhésif	Aufkleber	Adhesivo	
17	256455A1	1	Decal - Danish	Adhésif	Aufkleber	Adhesivo	
18	6109375M91	1	Hose Assy - Return Ride Control	Flexible Ass.	Schlauch Kpl	Flexible, Conj.	
19	6109376M91	1	Adaptor	Adaptateur	Reduzienippel	Conexión, Conj.	
20	#CONNECTOR	1	Connector	Connector	Connector	Connector	Ref. 19
21	835026M1	1	O-Ring	Joint Torique	O-Ring	Junta De Tipo O	
22	6109468M91	1	Hose Assy - Ride Control	Flexible Ass.	Schlauch Kpl	Flexible, Conj.	
23	360202X91	2	Connector 9/16 X 3/4	Adaptateur	Reduzienippel	Unión	
24	#UNION	1	Union	Union	Union	Union	Ref. 23
25	831497M1	1	O-Ring	Joint Torique	O-Ring	Junta De Tipo O	
26	6110180M91	1	Hose Assy - Ride Control	Flexible Ass.	Schlauch Kpl	Flexible, Conj.	
27	6101777M91	1	Cover Assy. - Switch Operating	Cache	Abdeckung	Tapa	
28	6102490M1	1	Relay-Micro	Relais	Relais	Relé	



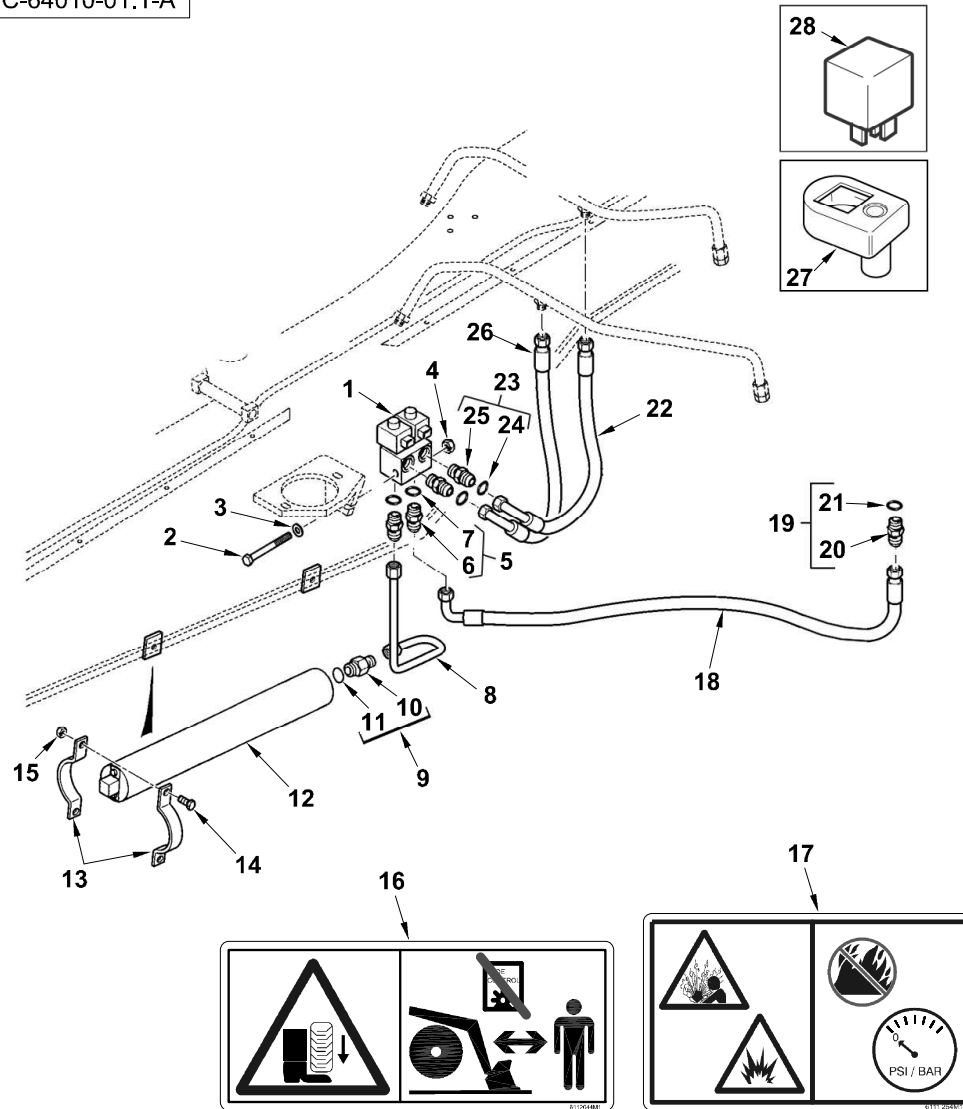
C-64009-02.1-A



Item	Part No.	Qty.	English	French	German	Spanish	Remarks
1	6100522M91	1	Solenoid Valve Assy	Soupape De Pilotage	Magnetventil	Válvula De Pilotaje	64009c01.1 1
2	#BODY	1	Body	Body	Body	Body	Ref. 1
3	6190749M91	1	Solenoid Cartridge	Solénoïde	Magnetspule	Solenoide	
4	#NUT	1	Nut	Ecrou	Mutter	Tuerca	Ref. 3
5	#SPOOL	1	Spool	Spool	Spool	Spool	Ref. 3
6	6190752M91	1	Kit Seal	Jeu Étanchéité	Dichtringsatz	Juego De Juntas	
7	6191096M91	1	Coil Assy.	Bobine	Wicklung, Spule	Bobina	
8	6190750M91	1	Solenoid Cartridge	Solénoïde	Magnetspule	Solenoide	
9	#NUT	1	Nut	Ecrou	Mutter	Tuerca	Ref. 8
10	#SPOOL	1	Spool	Spool	Spool	Spool	Ref. 8
11	6190752M91	1	Kit Seal	Jeu Étanchéité	Dichtringsatz	Juego De Juntas	
12	6191096M91	1	Coil Assy.	Bobine	Wicklung, Spule	Bobina	



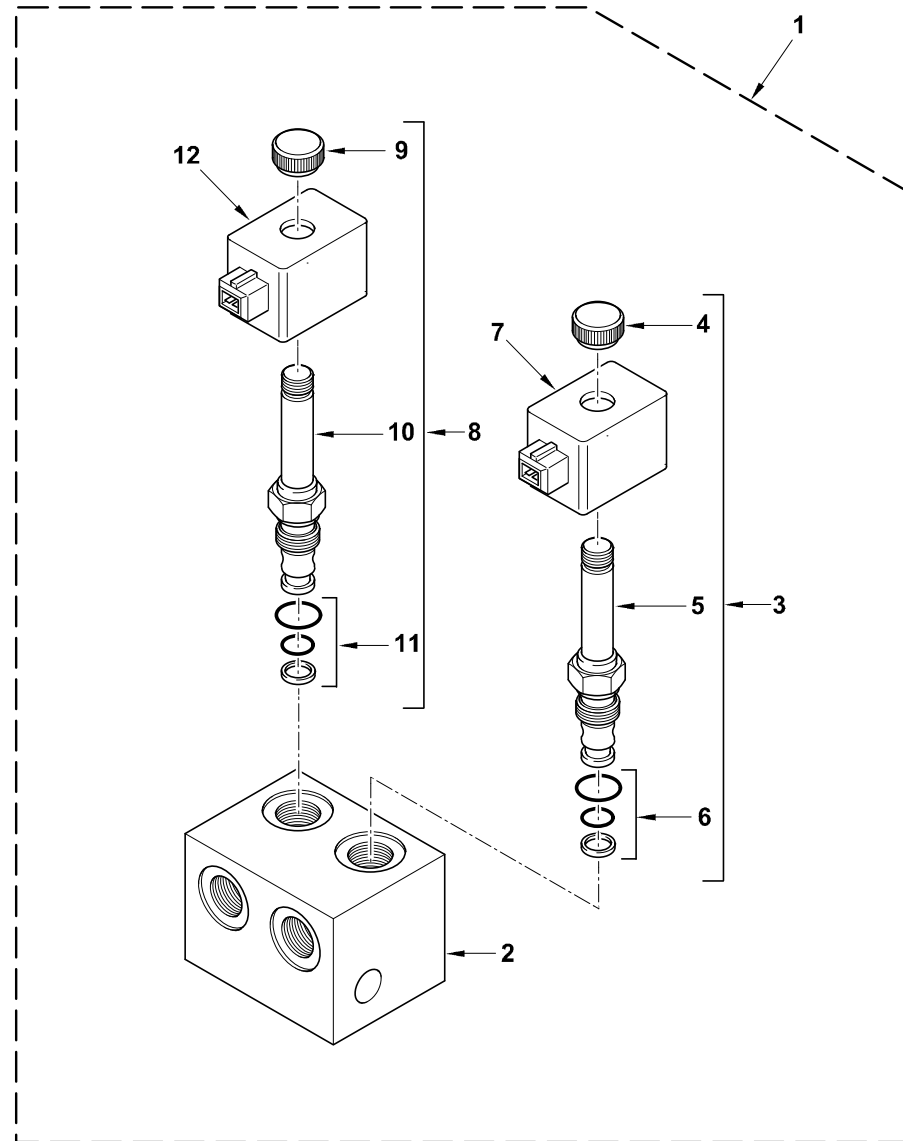
C-64010-01.1-A



Item	Part No.	Qty.	English	French	German	Spanish	Remarks
1	6100522M91	1	Solenoid Valve Assy	Soupape De Pilotage	Magnetventil	Válvula De Pilotaje	64010c02.1 1
2	3009504X1	1	Bolt M10-100 Z5s	Goupille	Bolzen M10 X 100	Tornillo	
3	385362X1	1	Washer, Hardened - M10	Rondelle - M10	Unterlegscheibe M10	Arandela	
4	1440329X1	1	Nut, Hex. - Nyloc, M10	Ecrou Blocage	Flachmutter M10	Tuerca De Retención	
5	358743X91	2	Connector & O Ring	Borne	Doppelnippel	Unión	
6	#UNION	1	Union	Union	Union	Union	Ref. 5
7	831497M1	1	O-Ring	Joint Torique	O-Ring	Junta De Tipo O	
8	6109373M91	1	Tube-Acum/R.Contrl Valve	Tuyauterie	Rohr Kpl	Conjunto De Tubería	
9	3519179M91	1	Connector	Borne	Doppelnippel	Conexión, Conj.	
10	#UNION	1	Union	Union	Union	Union	Ref. 9
11	831452M1	1	O Ring (Pack Of 10)	Joint Torique	O Ring	Junta De Tipo O	
12	6106193M92	1	Accumulator - Ride Control	Accumulateur	Akkumulator	Acumulador	
13	6101361M1	4	Clamp-Accumulator	Collier De Serrage	Halteschelle	Brida De Fijación	
14	339337X1	4	Bolt M8-30 Z5f	Goupille	Bolzen - M8 X 30	Perno	
15	394367X1	4	Nut, Hex. - Nyloc, M8	Ecrou Blocage M8	Flachmutter - M8	Tuerca De Retención	
16	6112044M1	1	Decal - Ride Control	Adhésif	Aufkleber	Adhesivo	
17	6111254M1	1	Decal - Warning Pressure	Adhésif	Aufkleber	Adhesivo	
18	6109375M91	1	Hose Assy - Return Ride Control	Flexible Ass.	Schlauch Kpl	Flexible, Conj.	
19	6109376M91	1	Adaptor	Adaptateur	Reduzienippel	Conexión, Conj.	
20	#CONNECTOR	1	Connector	Connector	Connector	Connector	Ref. 19
21	835026M1	1	O-Ring	Joint Torique	O-Ring	Junta De Tipo O	
22	6109468M91	1	Hose Assy - Ride Control	Flexible Ass.	Schlauch Kpl	Flexible, Conj.	
23	360202X91	2	Connector 9/16 X 3/4	Adaptateur	Reduzienippel	Unión	
24	#UNION	1	Union	Union	Union	Union	Ref. 23
25	831497M1	1	O-Ring	Joint Torique	O-Ring	Junta De Tipo O	
26	6110180M91	1	Hose Assy - Ride Control	Flexible Ass.	Schlauch Kpl	Flexible, Conj.	
27	6101777M91	1	Cover Assy. - Switch Operating	Cache	Abdeckung	Tapa	
28	6102490M1	1	Relay-Micro	Relais	Relais	Relé	



C-64010-02.1-A

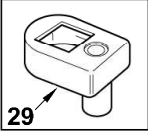
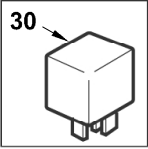
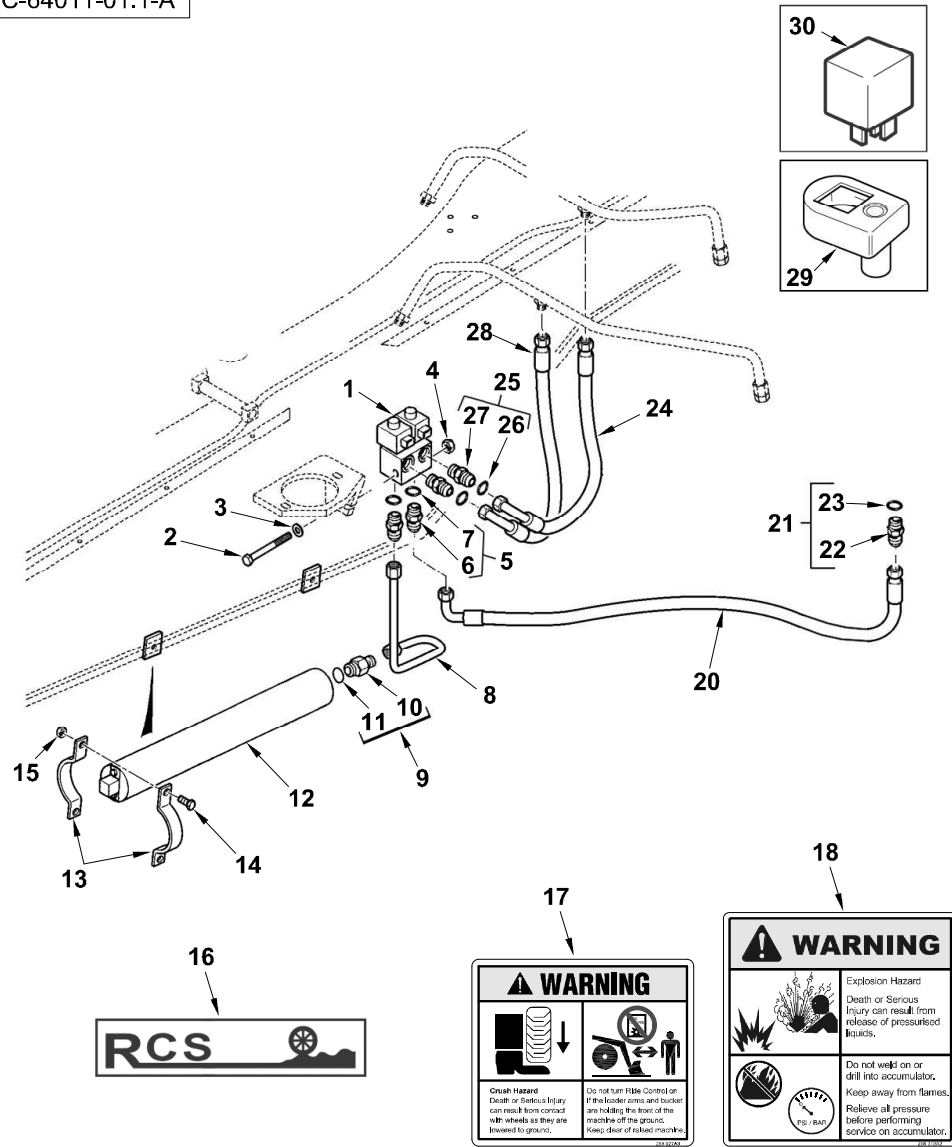




Item	Part No.	Qty.	English	French	German	Spanish	Remarks
1	6100522M91	1	Solenoid Valve Assy	Soupape De Pilotage	Magnetventil	Válvula De Pilotaje	64010c01.1 1
2	#BODY	1	Body	Body	Body	Body	Ref. 1
3	6190749M91	1	Solenoid Cartridge	Solénoïde	Magnetspule	Solenoide	
4	#NUT	1	Nut	Ecrou	Mutter	Tuerca	Ref. 3
5	#SPOOL	1	Spool	Spool	Spool	Spool	Ref. 3
6	6190752M91	1	Kit Seal	Jeu Étanchéité	Dichtringsatz	Juego De Juntas	
7	6191096M91	1	Coil Assy.	Bobine	Wicklung, Spule	Bobina	
8	6190750M91	1	Solenoid Cartridge	Solénoïde	Magnetspule	Solenoide	
9	#NUT	1	Nut	Ecrou	Mutter	Tuerca	Ref. 8
10	#SPOOL	1	Spool	Spool	Spool	Spool	Ref. 8
11	6190752M91	1	Kit Seal	Jeu Étanchéité	Dichtringsatz	Juego De Juntas	
12	6191096M91	1	Coil Assy.	Bobine	Wicklung, Spule	Bobina	



C-64011-01.1-A



**WARNING**

**Crush Hazard**  
Death or Serious Injury can result from contact with wheels as they are lowered to ground.

**Do not turn Ride Control on if the loader arms and bucket are holding the front of the machine off the ground. Keep clear of raised machine.**

**WARNING**

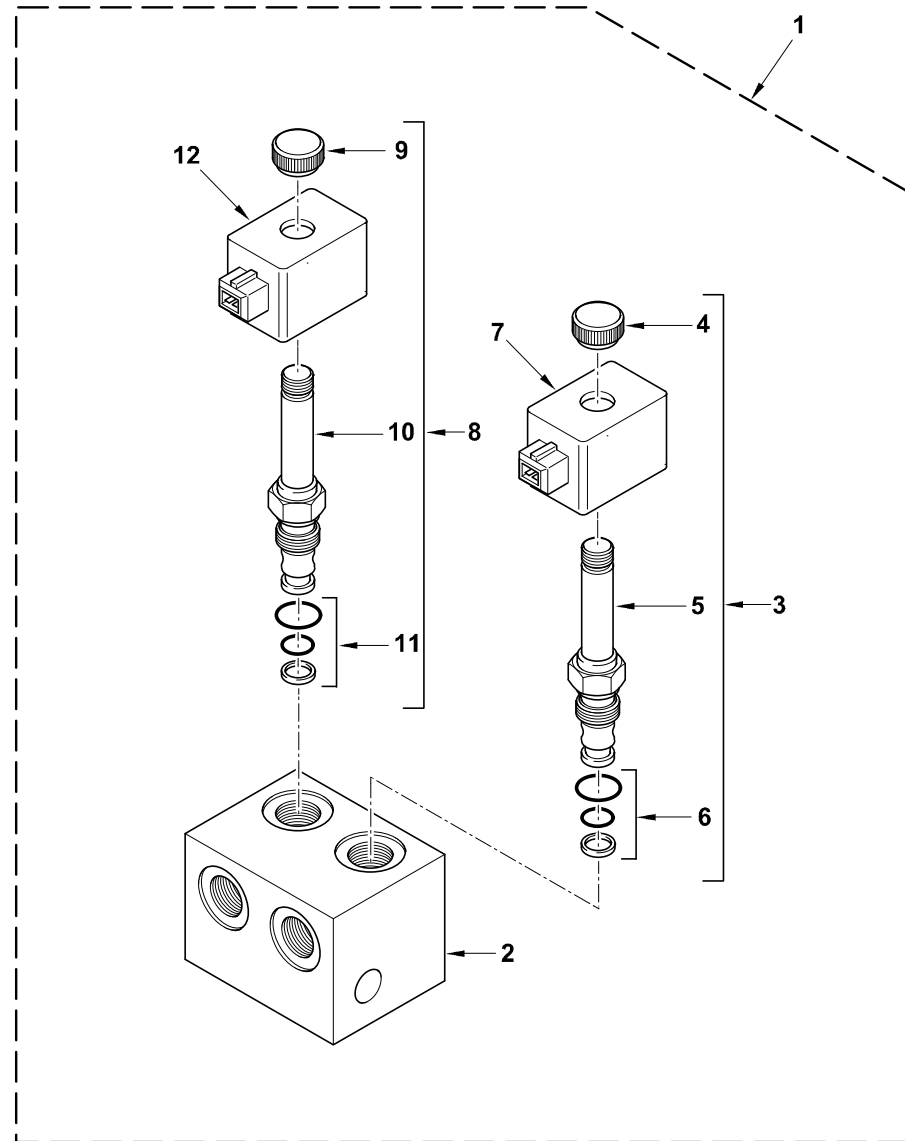
**Explosion Hazard**  
Death or Serious Injury can result from release of pressurised liquids.

**Do not weld on or drill into accumulator. Keep away from flames. Relieve all pressure before performing service on accumulator.**

Item	Part No.	Qty.	English	French	German	Spanish	Remarks
1	6100522M91	1	Solenoid Valve Assy	Soupape De Pilotage	Magnetventil	Válvula De Pilotaje	64011c02.1 1
2	3009504X1	1	Bolt M10-100 Z5s	Goupille	Bolzen M10 X 100	Tornillo	
3	385362X1	1	Washer, Hardened - M10	Rondelle - M10	Unterlegscheibe M10	Arandela	
4	1440329X1	1	Nut, Hex. - Nyloc, M10	Ecrou Blocage	Flachmutter M10	Tuerca De Retención	
5	358743X91	2	Connector & O Ring	Borne	Doppelnippel	Unión	
6	#UNION	1	Union	Union	Union	Union	Ref. 5
7	831497M1	1	O-Ring	Joint Torique	O-Ring	Junta De Tipo O	
8	6109373M91	1	Tube-Acum/R.Contrl Valve	Tuyauterie	Rohr Kpl	Conjunto De Tubería	
9	3519179M91	1	Connector	Borne	Doppelnippel	Conexión, Conj.	
10	#UNION	1	Union	Union	Union	Union	Ref. 9
11	831452M1	1	O Ring (Pack Of 10)	Joint Torique	O Ring	Junta De Tipo O	
12	6106193M92	1	Accumulator - Ride Control	Accumulateur	Akkumulator	Acumulador	
13	6101361M1	4	Clamp-Accumulator	Collier De Serrage	Halteschelle	Brida De Fijación	
14	339337X1	4	Bolt M8-30 Z5f	Goupille	Bolzen - M8 X 30	Perno	
15	394367X1	4	Nut, Hex. - Nyloc, M8	Ecrou Blocage M8	Flachmutter - M8	Tuerca De Retención	
16	6108851M1	1	Decal-Rcs	Adhésif	Aufkleber	Adhesivo	
17	255927A3	1	Decal - Ride Control	Adhésif	Aufkleber	Adhesivo	
18	256318A2	1	Decal - Warning Pressure	Adhésif	Aufkleber	Adhesivo	
19	6109375M91	1	Hose Assy - Return Ride Control	Flexible Ass.	Schlauch Kpl	Flexible, Conj.	
20	6109376M91	1	Adaptor	Adaptateur	Reduzienippel	Conexión, Conj.	
21	#CONNECTOR	1	Connector	Connector	Connector	Connector	Ref. 19
22	835026M1	1	O-Ring	Joint Torique	O-Ring	Junta De Tipo O	
23	6109468M91	1	Hose Assy - Ride Control	Flexible Ass.	Schlauch Kpl	Flexible, Conj.	
24	360202X91	2	Connector 9/16 X 3/4	Adaptateur	Reduzienippel	Unión	
25	#UNION	1	Union	Union	Union	Union	Ref. 23
26	831497M1	1	O-Ring	Joint Torique	O-Ring	Junta De Tipo O	
27	6110180M91	1	Hose Assy - Ride Control	Flexible Ass.	Schlauch Kpl	Flexible, Conj.	
28	6101777M91	1	Cover Assy. - Switch Operating	Cache	Abdeckung	Tapa	
29	6102490M1	1	Relay-Micro	Relais	Relais	Relé	



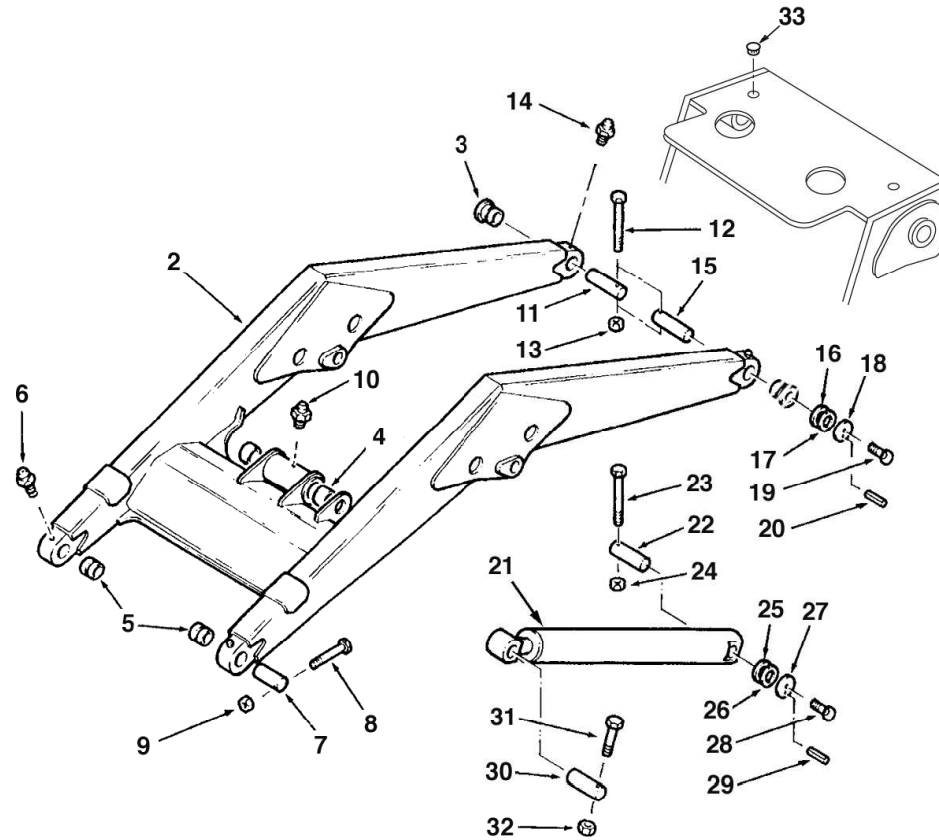
C-64011-02.1-A



Item	Part No.	Qty.	English	French	German	Spanish	Remarks
1	6100522M91	1	Solenoid Valve Assy	Soupape De Pilotage	Magnetventil	Válvula De Pilotaje	64011c01.1 1
2	#BODY	1	Body	Body	Body	Body	Ref. 1
3	6190749M91	1	Solenoid Cartridge	Solénoïde	Magnetspule	Solenoide	
4	#NUT	1	Nut	Ecrou	Mutter	Tuerca	Ref. 3
5	#SPOOL	1	Spool	Spool	Spool	Spool	Ref. 3
6	6190752M91	1	Kit Seal	Jeu Étanchéité	Dichtringsatz	Juego De Juntas	
7	6191096M91	1	Coil Assy.	Bobine	Wicklung, Spule	Bobina	
8	6190750M91	1	Solenoid Cartridge	Solénoïde	Magnetspule	Solenoide	
9	#NUT	1	Nut	Ecrou	Mutter	Tuerca	Ref. 8
10	#SPOOL	1	Spool	Spool	Spool	Spool	Ref. 8
11	6190752M91	1	Kit Seal	Jeu Étanchéité	Dichtringsatz	Juego De Juntas	
12	6191096M91	1	Coil Assy.	Bobine	Wicklung, Spule	Bobina	



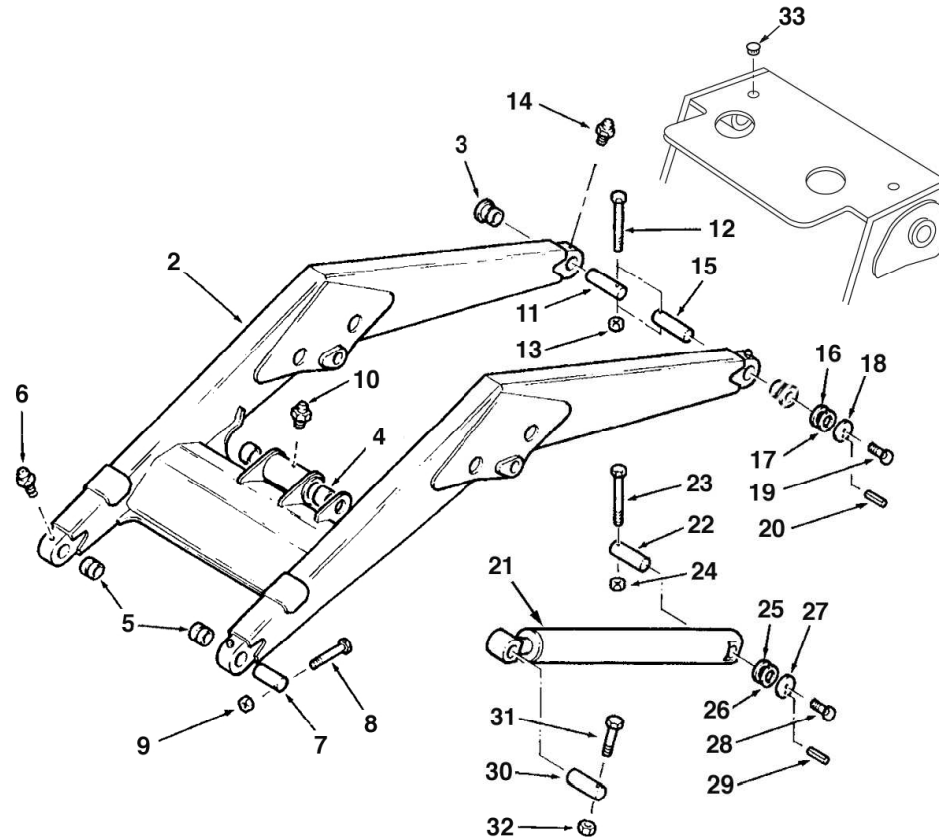
C-65001-01.1-A



Item	Part No.	Qty.	English	French	German	Spanish	Remarks
1	6100694M94	1	Beam, Loader - Ferrec Yellow	Bras De Chargeur	Laderarm	Brazo, Conj.	
2	#ARM	1	Arm	Bras	Arm	Brazo	Ref. 1
3	3520034M3	2	Bush	Douille	Büchse	Anillo	
4	3520032M1	2	Bushing Large	Bague	Büchse	Anillo	
5	3522862M2	2	Bush	Douille	Buechse	Anillo	
6	339608X1	2	Grease Nipple - M10 X 1 (Zinc)	Nipple De Graissage	Schmiernippel	Engrasador	
7	3520042M5	2	Pin	Goupille	Bolzen	Pasador	
8	3516014M1	2	Bolt - M10 X 90	Boulon - M10 X 90	Maschschraube M10	Tornillo	
9	1440329X1	2	Nut, Hex. - Nyloc, M10	Ecrou Blocage	Flachmutter M10	Tuerca De Retención	
10	339608X1	1	Grease Nipple - M10 X 1 (Zinc)	Nipple De Graissage	Schmiernippel	Engrasador	
11	3520046M6	1	Pin * R Type *	Axe	Bolzen	Pasador	
12	3516015M1	2	Bolt M10-100 Z5s	Goupille	Bolzen	Tornillo	
13	1440329X1	2	Nut, Hex. - Nyloc, M10	Ecrou Blocage	Flachmutter M10	Tuerca De Retención	
14	339608X1	2	Grease Nipple - M10 X 1 (Zinc)	Nipple De Graissage	Schmiernippel	Engrasador	
15	3520046M6	1	Pin * R Type *	Axe	Bolzen	Pasador	
16	3522962M1	1	Washer, Thrust - >2.6mm<	Rondelle De Butée	Druckscheibe	Arandela De Tope	
17	3522963M1	1	Washer, Thrust - >3.6mm<	Rondelle De Butée	Druckscheibe	Arandela De Tope	
18	3522717M3	1	Washer Special	Rondelle Spéciale	Spezielscheibe	Arandela	
19	339613X1	1	Bolt M16-25 Z5f	Goupille	Bolzen	Tornillo	
20	1441736X1	1	Pin Spirol 5-26	Goupille D´Arrêt	Klappstecker	Pasador Elástico	
21	#CYLINDER	2	Cylinder	Cylinder	Cylinder	Cylinder	Loader Hydraulics
22	3520046M6	2	Pin * R Type *	Axe	Bolzen	Pasador	
23	3516015M1	2	Bolt M10-100 Z5s	Goupille	Bolzen	Tornillo	
24	1440329X1	2	Nut, Hex. - Nyloc, M10	Ecrou Blocage	Flachmutter M10	Tuerca De Retención	
25	3522962M1	2	Washer, Thrust - >2.6mm<	Rondelle De Butée	Druckscheibe	Arandela De Tope	
26	3522963M1	2	Washer, Thrust - >3.6mm<	Rondelle De Butée	Druckscheibe	Arandela De Tope	
27	3522717M3	2	Washer Special	Rondelle Spéciale	Spezielscheibe	Arandela	
28	339613X1	2	Bolt M16-25 Z5f	Goupille	Bolzen	Tornillo	
29	1441736X1	2	Pin Spirol 5-26	Goupille D´Arrêt	Klappstecker	Pasador Elástico	
30	6109683M1	1	Pin - Loader To Loader Cylinder (Rh)	Axe	Bolzen	Pasador	



C-65001-01.1-A

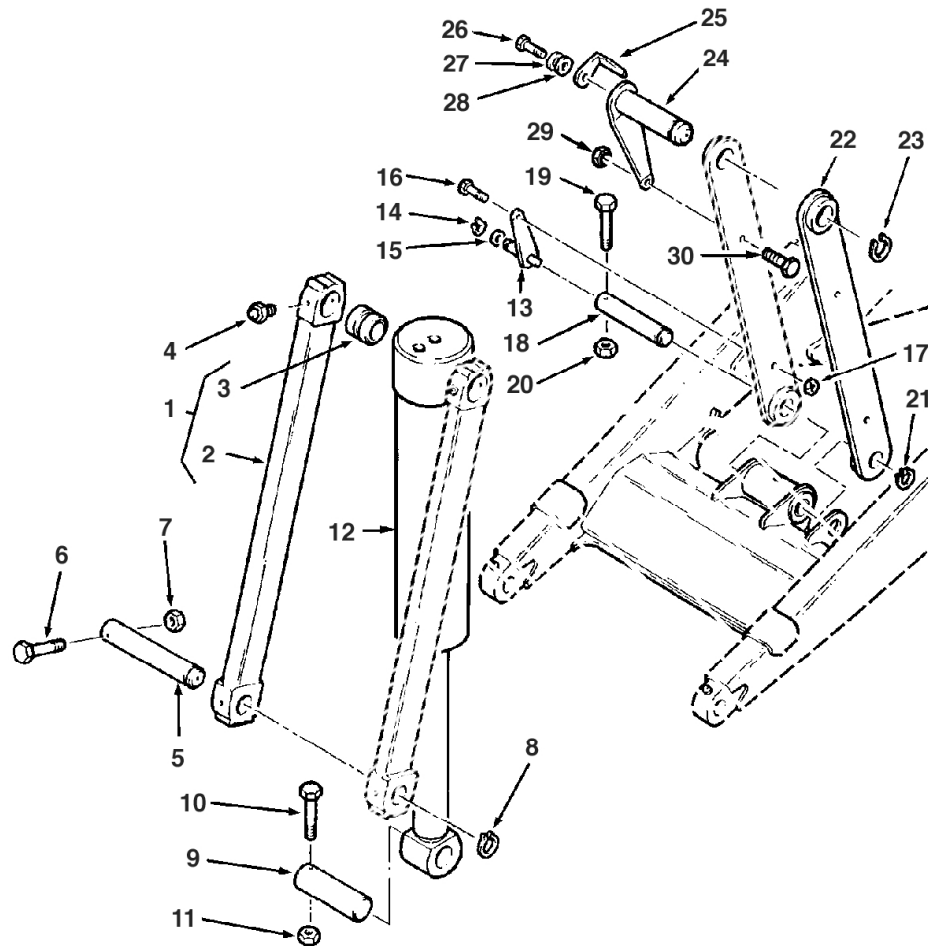




Item	Part No.	Qty.	English	French	German	Spanish	Remarks
30	6109663M1	1	Pin - Loader To Loader Cylinder (Lh)	Axe	Bolzen	Pasador	
31	3516014M1	2	Bolt - M10 X 90	Boulon - M10 X 90	Maschschraube M10	Tornillo	
32	1440329X1	2	Nut, Hex. - Nyloc, M10	Ecrou Blocage	Flachmutter M10	Tuerca De Retención	
33	6111481M1	2	Round Insert Dia 38.1	Bouchon	Verschlopfen	Tapón	



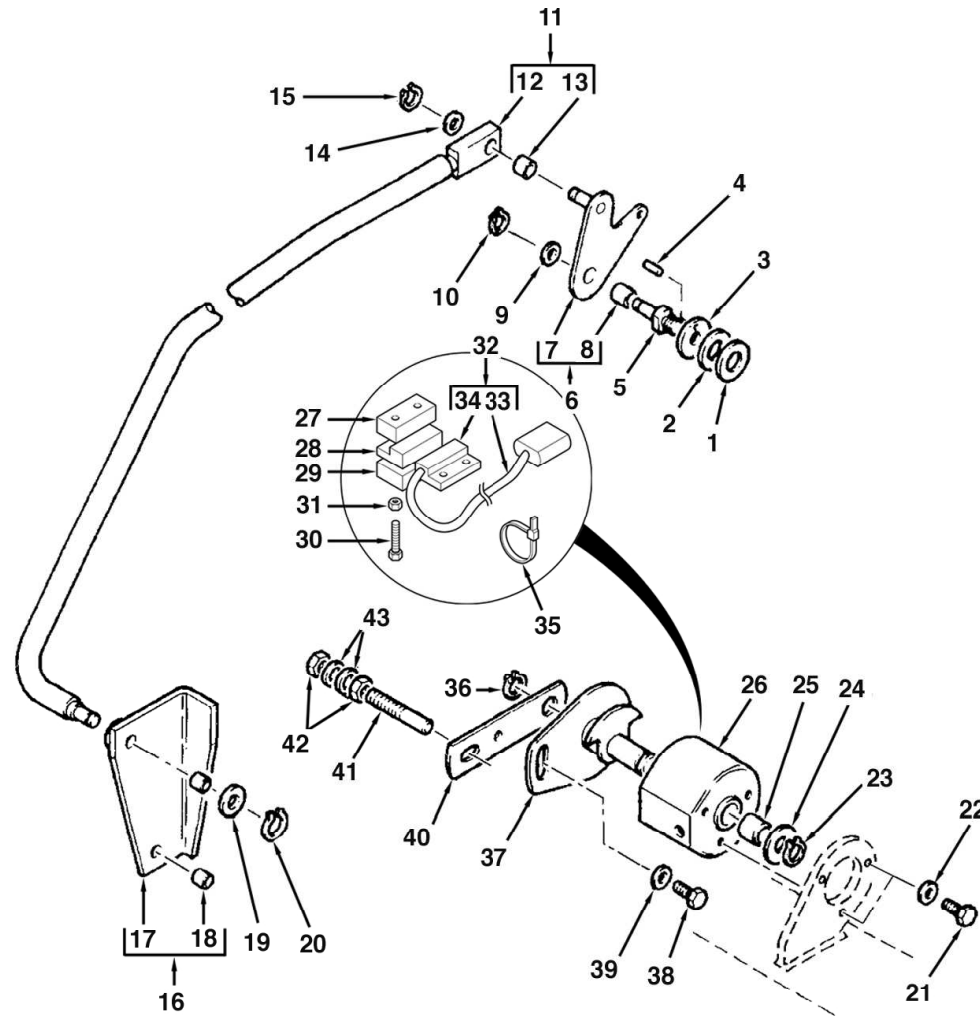
C-65001-02.1-A



Item	Part No.	Qty.	English	French	German	Spanish	Remarks
1	6101983M91	2	Link - Loader Bucket	Maillon	Gelenkstange	Eslabón	
2	#LINK	1	Link	Link	Link	Link	Ref.1
3	3521716M1	1	Bush	Douille	Büchse	Anillo	
4	339608X1	2	Grease Nipple - M10 X 1 (Zinc)	Nipple De Graissage	Schmiernippel	Engrasador	
5	3521723M5	1	Pin (50 - 288)	Goupille	Bolzen	Pasador	
6	3501289M1	1	Bolt M10-110 Z5s	Boulon	Sechskantschraube	Tornillo	
7	1440329X1	1	Nut, Hex. - Nyloc, M10	Ecrou Blocage	Flachmutter M10	Tuerca De Retención	
8	391129X1	1	Circlip - External - 50mm	Segment D´Arrêt	Sicherungsring	Anillo De Resorte	
9	6106216M1	1	Pin-Ldr Bucket/Ram	Goupille	Bolzen	Pasador	
10	3516014M1	1	Bolt - M10 X 90	Boulon - M10 X 90	Maschschraube M10	Tornillo	
11	1440329X1	1	Nut, Hex. - Nyloc, M10	Ecrou Blocage	Flachmutter M10	Tuerca De Retención	
12	#CYLINDER	1	Cylinder	Cylinder	Cylinder	Cylinder	Loader Hydraulics
13	3521757M94	1	Pivot W/Assy	Pivot	Drehzapfen	Pivote	
14	3516762M1	1	Circlip	Segment D´Arrêt	Sicherungsring	Anillo De Resorte	
15	339300X1	1	Washer Dia 15	Rondelle	Scheibe	Arandela	
16	3516013M1	1	Bolt M10-40 Z5s	Boulon	Schraube	Tornillo	
17	1440329X1	1	Nut, Hex. - Nyloc, M10	Ecrou Blocage	Flachmutter M10	Tuerca De Retención	
18	3520465M5	1	Pin Large	Axe	Bolzen	Pasador	
19	3516014M1	1	Bolt - M10 X 90	Boulon - M10 X 90	Maschschraube M10	Tornillo	
20	1440329X1	1	Nut, Hex. - Nyloc, M10	Ecrou Blocage	Flachmutter M10	Tuerca De Retención	
21	339820X1	1	Circlip Ext 40mm	Anneau D´Arrêt	Sprengring	Anillo De Resorte	
22	3522361M93	2	Link	Maillon	Gelenkstange	Eslabón	
23	391129X1	1	Circlip - External - 50mm	Segment D´Arrêt	Sicherungsring	Anillo De Resorte	
24	3522679M94	1	Pin Large	Axe	Bolzen	Pasador	
25	3516352M1	1	Pointer - Rtd	Témoin	Anzeige	Indicador	
26	339081X1	1	Screw - Hex HD M10 X 20 ISO 8.8 Zn	Vis	Schraube	Tornillo	
27	390734X1	1	Washer M10-21-2 Z	Rondelle - M10	Unterlegscheibe	Arandela	
28	339376X1	1	Washer M10-18-2 Zsp	Rondelle Frein	Federring	Arandela De Freno	
29	1440329X1	1	Nut, Hex. - Nyloc, M10	Ecrou Blocage	Flachmutter M10	Tuerca De Retención	
30	3516013M1	1	Bolt M10-40 Z5s	Boulon	Schraube	Tornillo	



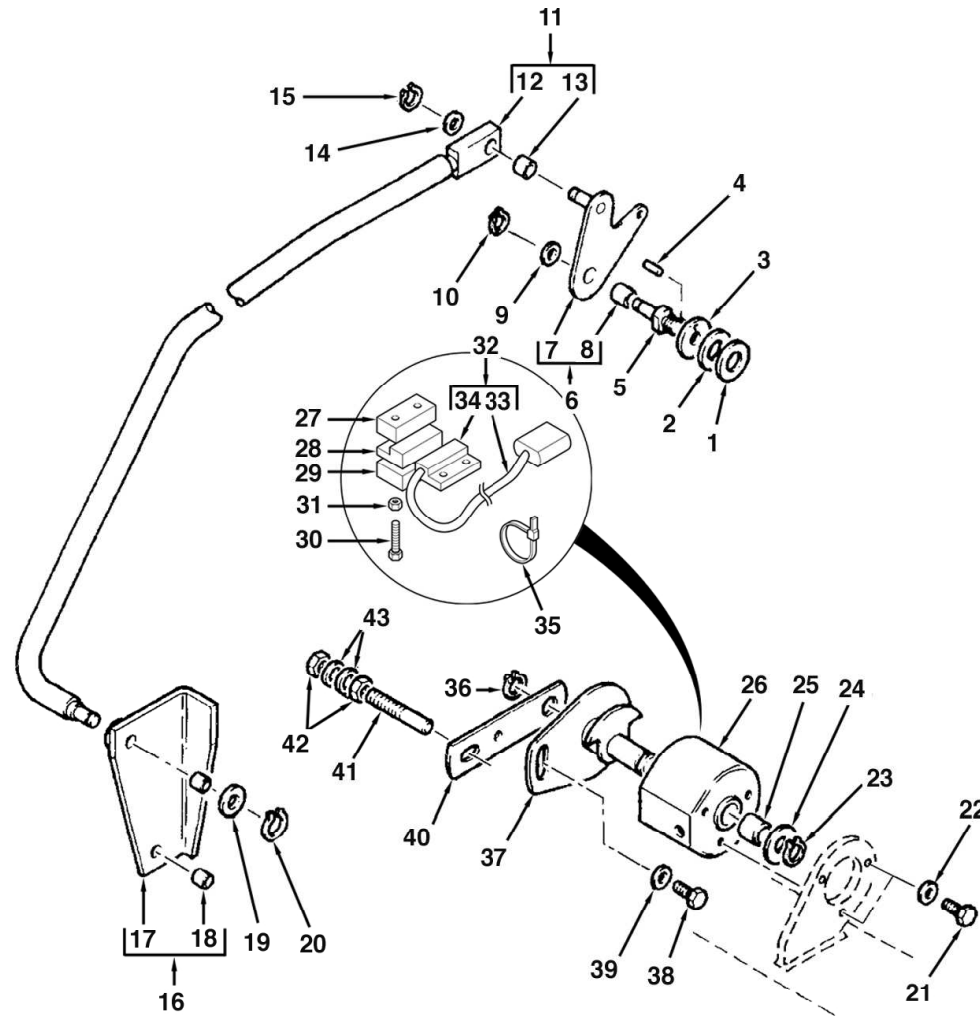
C-65001-03.1-A



Item	Part No.	Qty.	English	French	German	Spanish	Remarks
1	3522963M1	1	Washer, Thrust - >3.6mm<	Rondelle De Butée	Druckscheibe	Arandela De Tope	
2	3522962M1	1	Washer, Thrust - >2.6mm<	Rondelle De Butée	Druckscheibe	Arandela De Tope	
3	3522717M3	1	Washer Special	Rondelle Spéciale	Spezialscheibe	Arandela	
4	1441736X1	1	Pin Spirol 5-26	Goupille D'Arrêt	Klappstecker	Pasador Elástico	
5	3521799M6	1	Shaft - Pivot	Arbre - Pivot	Welle - Drehzapfen	Árbol	
6	3516765M91	1	Arm Assy	Bras Ass.	Arm Kplt	Brazo, Conj.	65001c04.1 34
7	#ARM	1	Arm	Bras	Arm	Brazo	Ref.6
8	3516761M1	1	Bush	Douille	Büchse	Anillo	
9	339300X1	1	Washer Dia 15	Rondelle	Scheibe	Arandela	
10	3516762M1	1	Circlip	Segment D'Arrêt	Sicherungsring	Anillo De Resorte	
11	6107911M91	1	Rod, Link - Return To Dig	Ensemble De Maillon	Gelenkstange Kpl.	Eslabón, Conj.	
12	#LINK	1	Link	Link	Link	Link	Ref.11
13	3516761M1	1	Bush	Douille	Büchse	Anillo	
14	339300X1	1	Washer Dia 15	Rondelle	Scheibe	Arandela	
15	3516762M1	1	Circlip	Segment D'Arrêt	Sicherungsring	Anillo De Resorte	
16	6100971M91	1	Link-Assy	Maillon Ass.	Gelenkstange Kplt	Soporte De Fijación	
17	#LINK	1	Link	Link	Link	Link	Ref.14
18	3516761M1	1	Bush	Douille	Büchse	Anillo	
19	339300X1	1	Washer Dia 15	Rondelle	Scheibe	Arandela	
20	3516762M1	1	Circlip	Segment D'Arrêt	Sicherungsring	Anillo De Resorte	
21	339123X1	3	Bolt M8-20 Z5f	Boulon M8 X 20	Maschschraube M8	Perno	
22	339374X1	3	Washer M8 -21-2 Z	Rondelle Frein - M8	Federring - M8	Arandela De Freno	
23	3516762M1	1	Circlip	Segment D'Arrêt	Sicherungsring	Anillo De Resorte	
24	339300X1	1	Washer Dia 15	Rondelle	Scheibe	Arandela	
25	3516761M1	1	Bush	Douille	Büchse	Anillo	
26	3521963M94	1	Housing - Mech. Rtn. To Dig Potentiom.	Carter	Gehäuse	Cárter	
27	3522874M1	2	Plate Tapped	Plaque	Platte	Placa	
28	3522649M2	1	Magnet Unit	Aimant	Magnet	Imán	
29	3522093M1	2	Spacer	Entretoise	Distanzstück	Traviesa	
30	3522673M2	4	Screw Pan HD	Vis	Schraube	Tornillo	



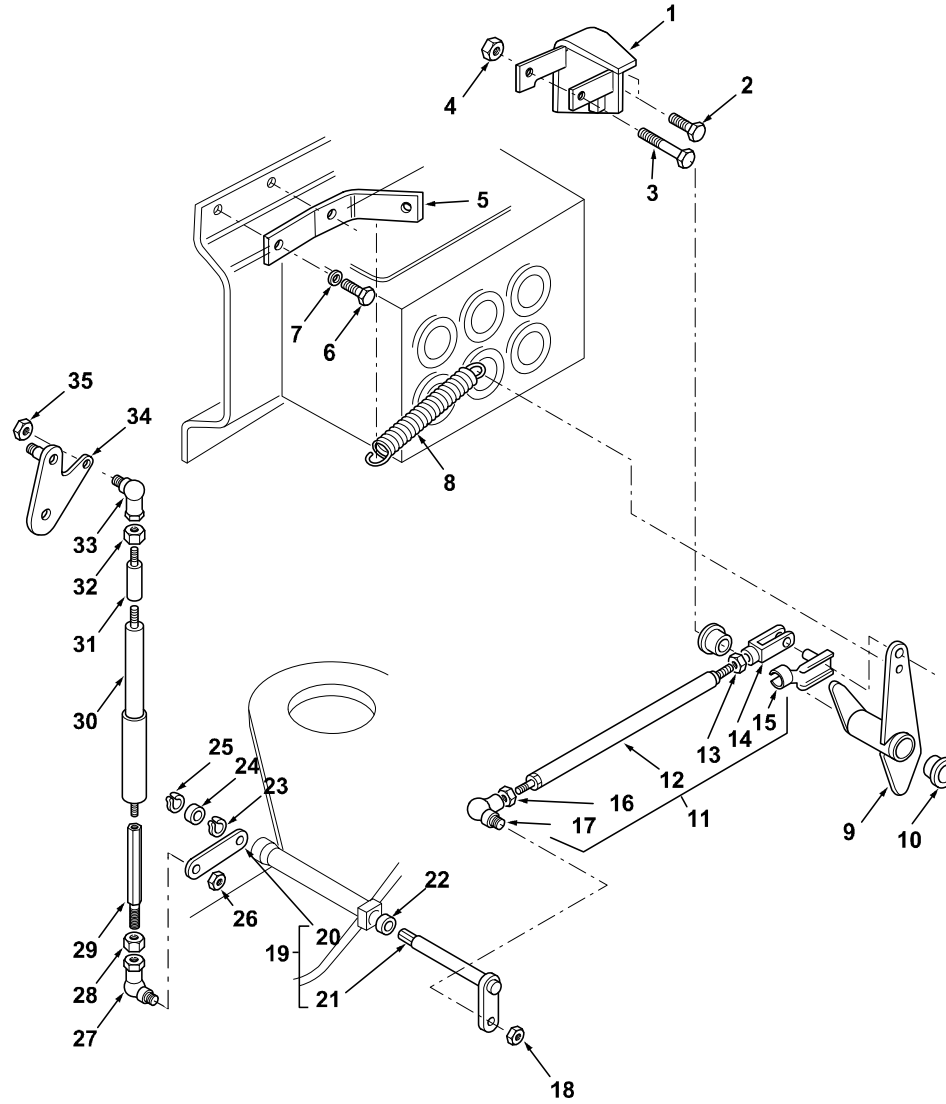
C-65001-03.1-A



Item	Part No.	Qty.	English	French	German	Spanish	Remarks
31	3522674M1	4	Washer Lock	Rondelle Frein	Scheibe, Sicherungs-	Arandela De Freno	
32	6101674M93	1	Harness - Return To Dig	Faisceau	Beschirrung	Haz, Conj.	
33	#HARNNESS	1	Harness	Harness	Harness	Harness	Ref.32
34	3522650M2	1	Potentiometer - Mech. Rtn.To Dig & Seat	Capteur	Potentiometer	Captador	
35	1862425M1	0	Tie 385mm T50I	Attache Cable	Kabelbinder	Enlace De Cable	
36	3516762M1	1	Circlip	Segment D'Arrêt	Sicherungsring	Anillo De Resorte	
37	3521967M96	1	Arm	Bras	Arm	Brazo	
38	339123X1	1	Bolt M8-20 Z5f	Boulon M8 X 20	Maschschraube M8	Perno	
39	390972X1	1	Washer M8-17-1 Zwel	Rondelle M8	Scheibe - M8	Arandela	
40	3516192M91	1	Arm	Bras	Arm	Brazo, Conj.	
41	3522075M2	1	Shaft Pivot	Pivot	Wellenzapfen	Pivote	
42	3009693X1	2	Nut M10 Z5 Normal	Ecrou Métrique	Mutter Metrisch	Tuerca	
43	339376X1	2	Washer M10-18-2 Zsp	Rondelle Frein	Federring	Arandela De Freno	



C-65001-04.1-B

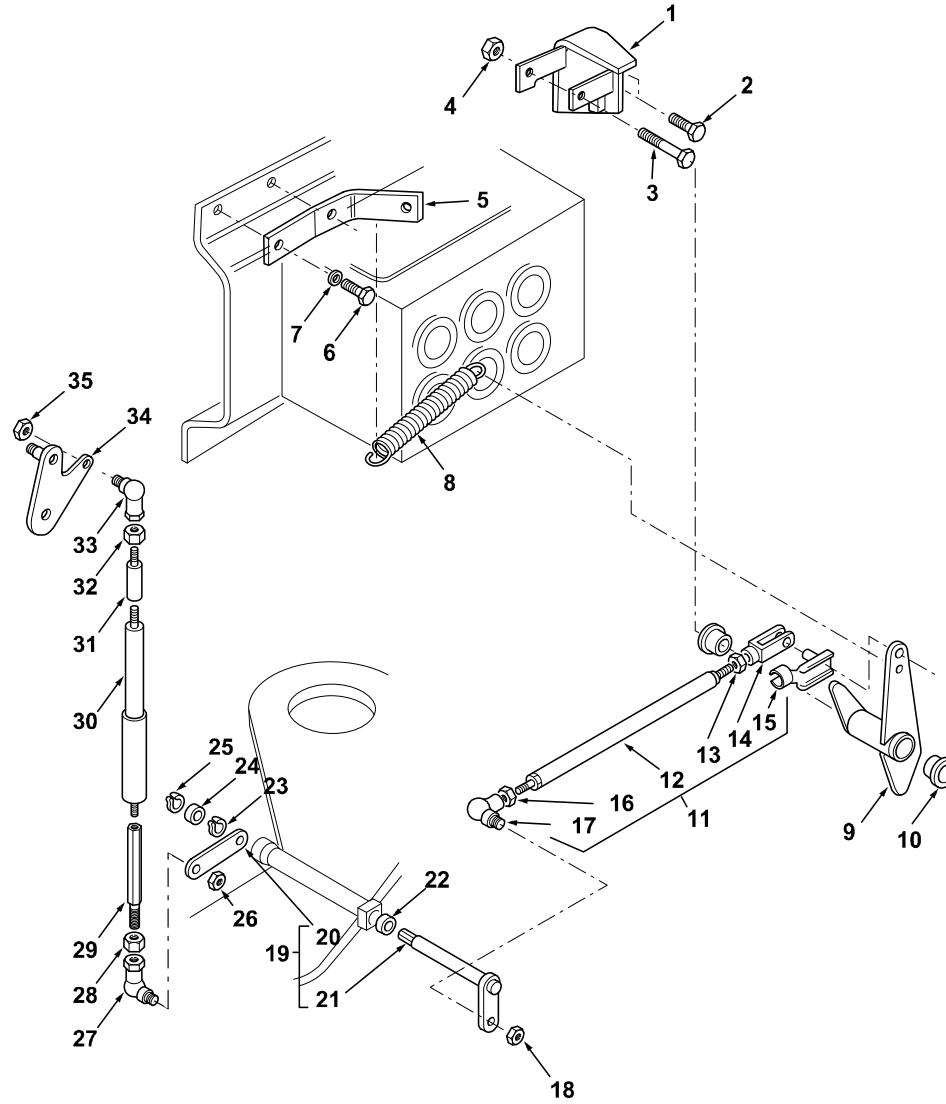




Item	Part No.	Qty.	English	French	German	Spanish	Remarks
1	6109363M92	1	Bracket - Self Level Lever W/Assy	Patte Fixation	Halter	Cuchara, Conj.	
2	3009492X1	2	Bolt - Hex. M10 X 25	Boulon M10 X 25	Schraube M10 X 25	Tornillo	
3	3009517X1	1	Bolt M12-100	Goupille	Bolzen	Tornillo	
4	1440330X1	1	Nut Nyloc M12	Ecrou	Flachmutter M12	Tuerca	
5	6109369M1	1	Anchor Spring	Siège De Ressort	Federsitz	Ancla	
6	3009492X1	2	Bolt - Hex. M10 X 25	Boulon M10 X 25	Schraube M10 X 25	Tornillo	
7	385362X1	2	Washer, Hardened - M10	Rondelle - M10	Unterlegscheibe M10	Arandela	
8	3519680M2	1	Spring	Siège De Ressort	Federsitz	Muelle	
9	6106694M91	1	Lever-Self Level	Levier Ass.	Hebel Kplt	Palanca, Conj.	
10	6106560M1	2	Bush	Douille	Buechse	Anillo	
11	6106691M92	1	Rod Assy Self Level	Ensemble Tringlerie	Gestänge	Tirantes, Conj.	
12	#ROD	1	Rod	Rod	Rod	Rod	Ref. 11
13	3009693X1	1	Nut M10 Z5 Normal	Ecrou Métrique	Mutter Metrisch	Tuerca	
14	3521833M1	1	Clevis	Chape	Gabelverbindung	Brida	
15	3521834M1	1	Pin Clevis	Axe De Chape	Gabelstift	Eje De Brida	
16	3009693X1	1	Nut M10 Z5 Normal	Ecrou Métrique	Mutter Metrisch	Tuerca	
17	3521794M91	1	Joint Ball	Rotule	Kugelgelenk	Rotula	
18	1440329X1	1	Nut, Hex. - Nyloc, M10	Ecrou Blocage	Flachmutter M10	Tuerca De Retención	
19	6109072M91	1	Lever/Arm Assy. Self Level	Ensemble De Bras	Arm Kpl.	Brazo, Conj.	
20	#LEVER	1	Lever	Lever	Lever	Lever	Ref. 19
21	#ARM	1	Arm	Bras	Arm	Brazo	Ref. 19
22	3521514M5	1	Bush	Douille	Büchse	Anillo	
23	339710X1	1	Circlip Ext 11mm	Segmet D´Arrêt	Sicherungsring	Anillo De Resorte	
24	3521514M5	1	Bush	Douille	Büchse	Anillo	
25	339710X1	1	Circlip Ext 11mm	Segment D´Arrêt	Sicherungsring	Anillo De Resorte	
26	1440329X1	1	Nut, Hex. - Nyloc, M10	Ecrou Blocage	Flachmutter M10	Tuerca De Retención	
27	3521794M91	1	Joint Ball	Rotule	Kugelgelenk	Rotula	
28	3009693X1	1	Nut M10 Z5 Normal	Ecrou Métrique	Mutter Metrisch	Tuerca	
29	6112271M1	1	Turnbuckle- RH	Tendeur De Tringle	Spannschloss	Torniquete	
30	6106239M91	1	Gas Strut - Bucket Levelling	Ensemble D&Amortiss.	Dämpfer Kpl.	Antivibrador, Conj.	



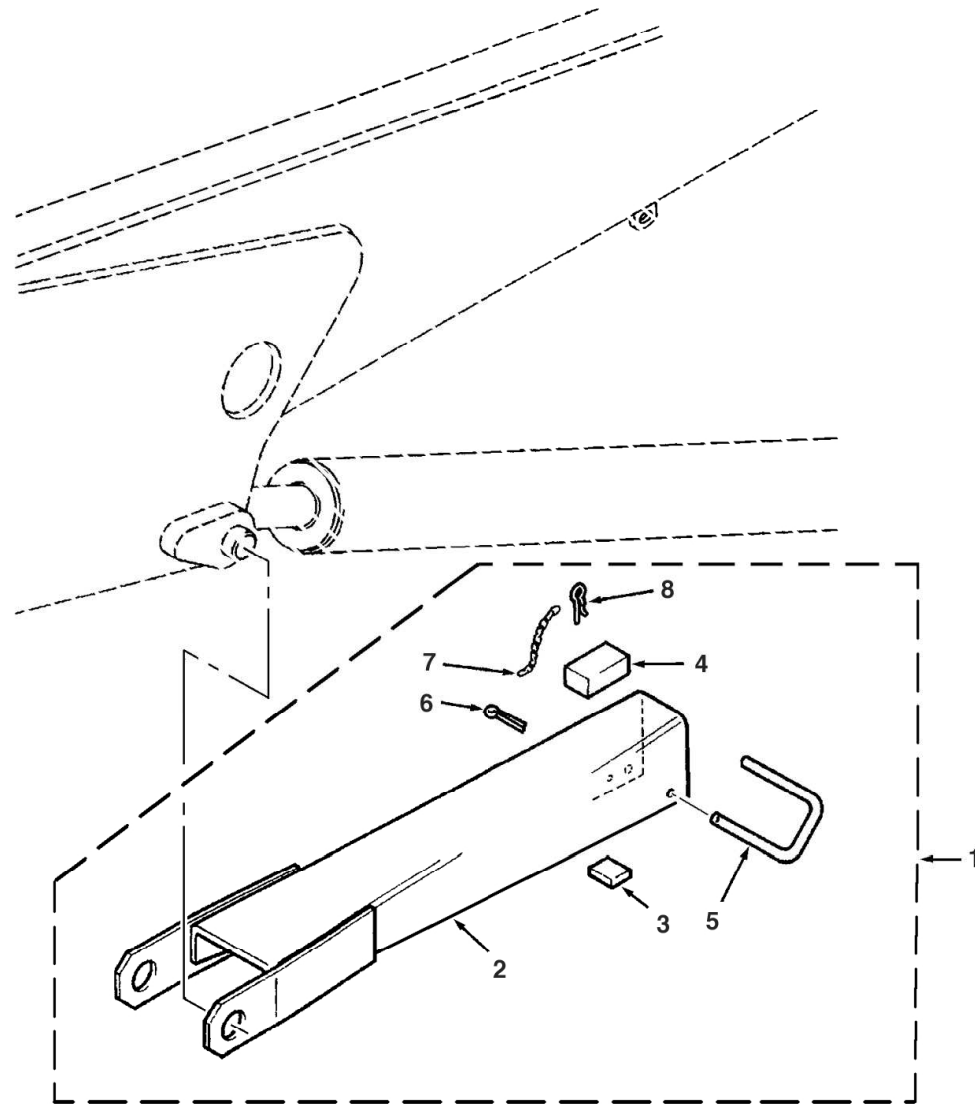
C-65001-04.1-B



Item	Part No.	Qty.	English	French	German	Spanish	Remarks
31	6106241M1	1	Turnbuckle-Gas Strut	Tendeur De Tringle	Spannschloss	Torniquete	LH Thread
32	6107340M1	1	Nut-Hex M10x1.5 LH	Ecrou	Mutter	Tuerca	
33	3521889M91	1	Joint Ball	Rotule	Kugelgelenk	Rotula	LH Thread
34	3516765M91	1	Arm Assy	Bras Ass.	Arm Kplt	Brazo, Conj.	65001c03.1 6
35	1440329X1	1	Nut, Hex. - Nyloc, M10	Ecrou Blocage	Flachmutter M10	Tuerca De Retención	



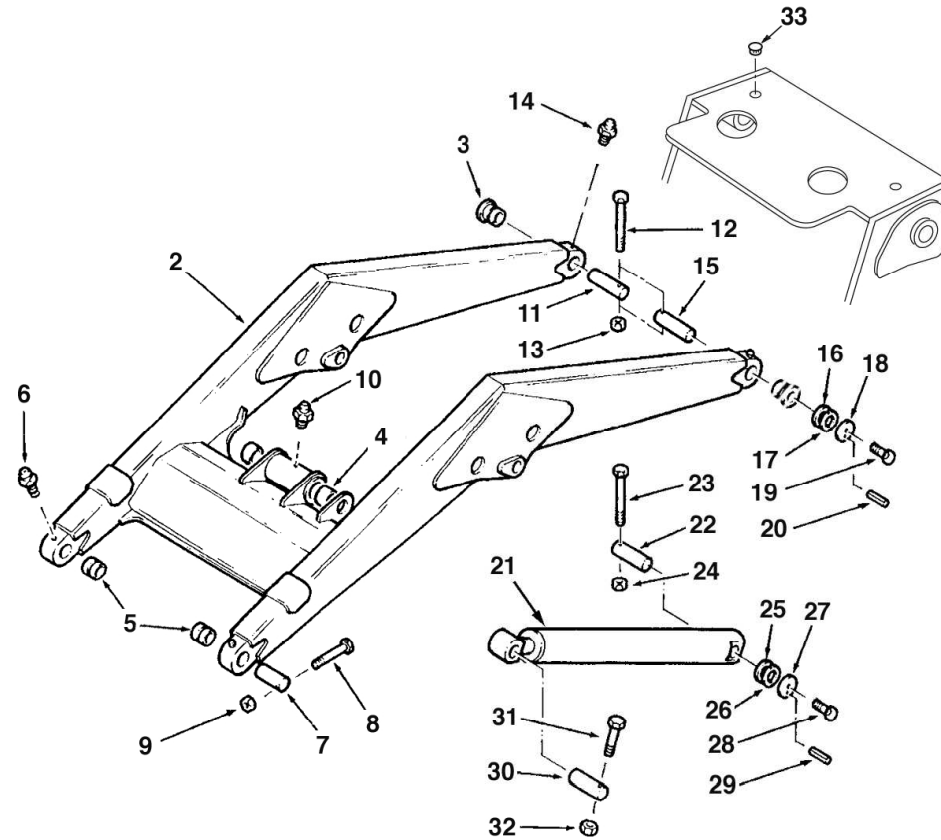
C-65001-05.1-A



Item	Part No.	Qty.	English	French	German	Spanish	Remarks
1	6101183M92	1	Arm-Safety	Support	Haltevorrichtung	Apoyadero, Conj.	
2	#SUPPORT	1	Support	Support	Support	Support	Ref.1
3	1471300M1	1	Pad Neoprene	Plaque Antidérapante	Zwischenlage	Tope	
4	1458633M3	1	Pad-Neoprene	Plaque Antidérapante	Zwischenlage	Tope	
5	3521910M2	1	Pin Double	Axe	Bolzen	Pasador De Parada	
6	1442994X1	1	Pin Cotter M3.2x25	Démodé	Überholt	Pasador	
7	3517165M1	1	Chain (Agriculture)	Chaîne	Kette	Cadena	
8	377165X1	1	Split Pin/Safety Pin	Goupille D'Arrêt	Splint	Pasador De Parada	



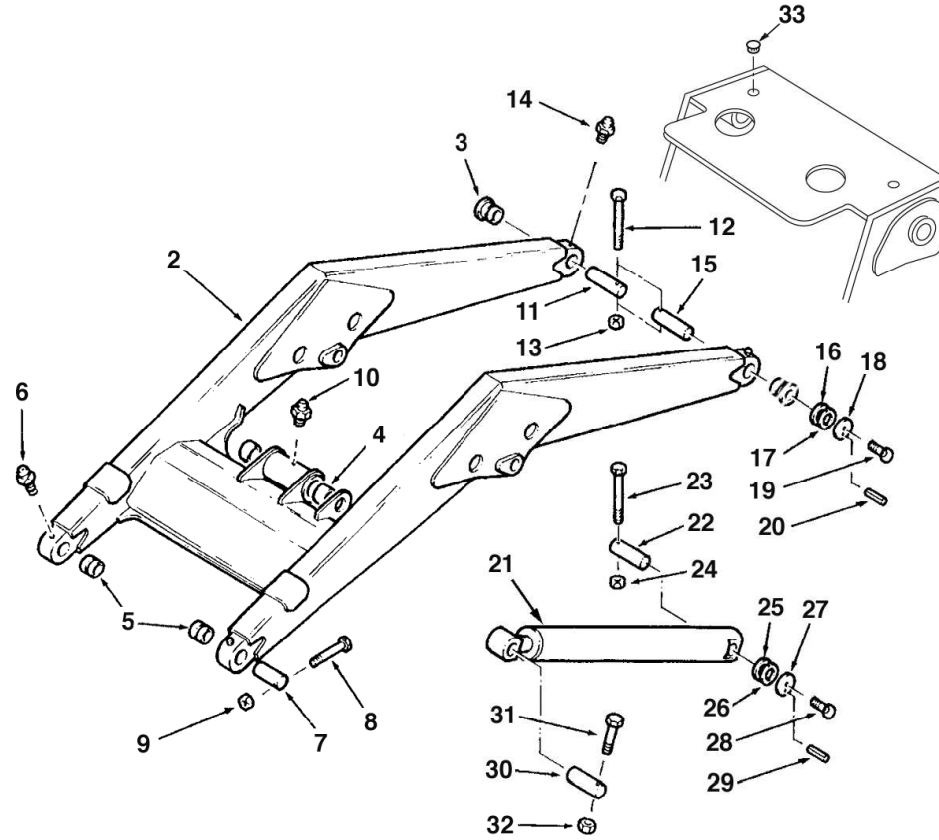
C-65002-01.1-A



Item	Part No.	Qty.	English	French	German	Spanish	Remarks
1	6107941M92	1	Beam-Loader W/A Terex White	Bras De Chargeur	Laderarm	Brazo, Conj.	
2	#ARM	1	Arm	Bras	Arm	Brazo	Ref. 1
3	3520034M3	2	Bush	Douille	Büchse	Anillo	
4	3520032M1	2	Bushing Large	Bague	Büchse	Anillo	
5	3522862M2	2	Bush	Douille	Buechse	Anillo	
6	339608X1	2	Grease Nipple - M10 X 1 (Zinc)	Nipple De Graissage	Schmiernippel	Engrasador	
7	3520042M5	2	Pin	Goupille	Bolzen	Pasador	
8	3516014M1	2	Bolt - M10 X 90	Boulon - M10 X 90	Maschschraube M10	Tornillo	
9	1440329X1	2	Nut, Hex. - Nyloc, M10	Ecrou Blocage	Flachmutter M10	Tuerca De Retención	
10	339608X1	1	Grease Nipple - M10 X 1 (Zinc)	Nipple De Graissage	Schmiernippel	Engrasador	
11	3520046M6	1	Pin * R Type *	Axe	Bolzen	Pasador	
12	3516015M1	2	Bolt M10-100 Z5s	Goupille	Bolzen	Tornillo	
13	1440329X1	2	Nut, Hex. - Nyloc, M10	Ecrou Blocage	Flachmutter M10	Tuerca De Retención	
14	339608X1	2	Grease Nipple - M10 X 1 (Zinc)	Nipple De Graissage	Schmiernippel	Engrasador	
15	3520046M6	1	Pin * R Type *	Axe	Bolzen	Pasador	
16	3522962M1	1	Washer, Thrust - >2.6mm<	Rondelle De Butée	Druckscheibe	Arandela De Tope	
17	3522963M1	1	Washer, Thrust - >3.6mm<	Rondelle De Butée	Druckscheibe	Arandela De Tope	
18	3522717M3	1	Washer Special	Rondelle Spéciale	Spezialscheibe	Arandela	
19	339613X1	1	Bolt M16-25 Z5f	Goupille	Bolzen	Tornillo	
20	1441736X1	1	Pin Spirol 5-26	Goupille D´Arrêt	Klappstecker	Pasador Elástico	
21	#CYLINDER	2	Cylinder	Cylinder	Cylinder	Cylinder	Loader Hydraulics
22	3520046M6	2	Pin * R Type *	Axe	Bolzen	Pasador	
23	3516015M1	2	Bolt M10-100 Z5s	Goupille	Bolzen	Tornillo	
24	1440329X1	2	Nut, Hex. - Nyloc, M10	Ecrou Blocage	Flachmutter M10	Tuerca De Retención	
25	3522962M1	2	Washer, Thrust - >2.6mm<	Rondelle De Butée	Druckscheibe	Arandela De Tope	
26	3522963M1	2	Washer, Thrust - >3.6mm<	Rondelle De Butée	Druckscheibe	Arandela De Tope	
27	3522717M3	2	Washer Special	Rondelle Spéciale	Spezialscheibe	Arandela	
28	339613X1	2	Bolt M16-25 Z5f	Goupille	Bolzen	Tornillo	
29	1441736X1	2	Pin Spirol 5-26	Goupille D´Arrêt	Klappstecker	Pasador Elástico	
30	6109683M1	1	Pin - Loader To Loader Cylinder (Rh)	Axe	Bolzen	Pasador	



C-65002-01.1-A

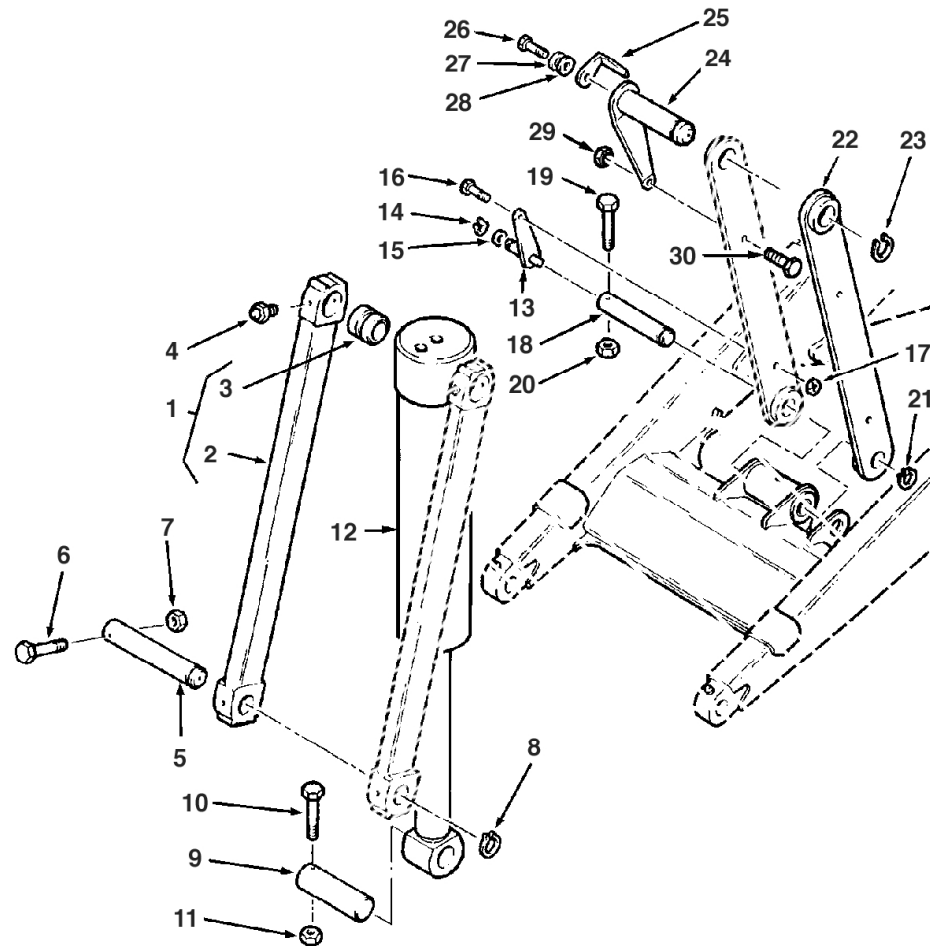




Item	Part No.	Qty.	English	French	German	Spanish	Remarks
30	6109663M1	1	Pin - Loader To Loader Cylinder (Lh)	Axe	Bolzen	Pasador	
31	3516014M1	2	Bolt - M10 X 90	Boulon - M10 X 90	Maschschraube M10	Tornillo	
32	1440329X1	2	Nut, Hex. - Nyloc, M10	Ecrou Blocage	Flachmutter M10	Tuerca De Retención	
33	6111481M1	2	Round Insert Dia 38.1	Bouchon	Verschlopfen	Tapón	



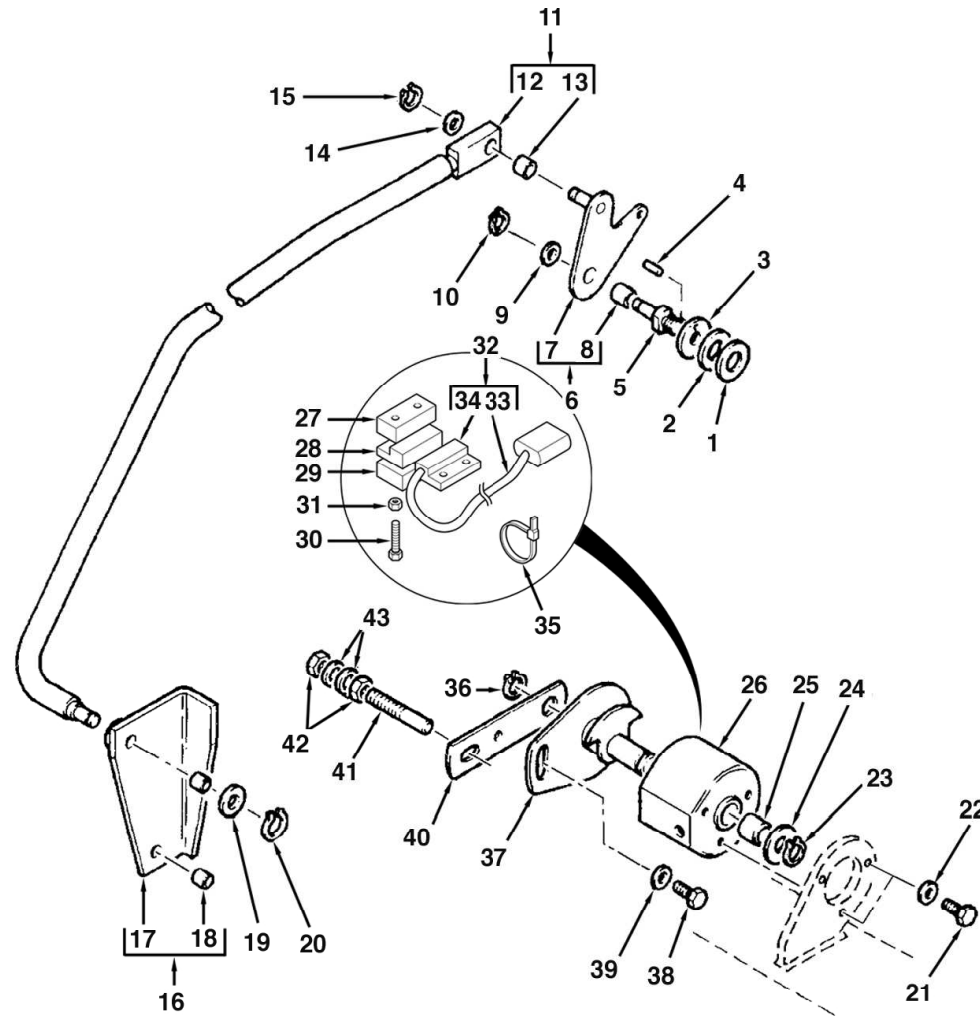
C-65002-02.1-A



Item	Part No.	Qty.	English	French	German	Spanish	Remarks
1	6101983Z91	2	Link - Loader Bucket	Ensemble De Maillon	Gelenkstange Kpl.	Eslabón, Conj.	
2	#LINK	1	Link	Link	Link	Link	Ref.1
3	3521716M1	1	Bush	Douille	Büchse	Anillo	
4	339608X1	2	Grease Nipple - M10 X 1 (Zinc)	Nipple De Graissage	Schmiernippel	Engrasador	
5	3521723M5	1	Pin (50 - 288)	Goupille	Bolzen	Pasador	
6	3501289M1	1	Bolt M10-110 Z5s	Boulon	Sechskantschraube	Tornillo	
7	1440329X1	1	Nut, Hex. - Nyloc, M10	Ecrou Blocage	Flachmutter M10	Tuerca De Retención	
8	391129X1	1	Circlip - External - 50mm	Segment D´Arrêt	Sicherungsring	Anillo De Resorte	
9	6106216M1	1	Pin-Ldr Bucket/Ram	Goupille	Bolzen	Pasador	
10	3516014M1	1	Bolt - M10 X 90	Boulon - M10 X 90	Maschschraube M10	Tornillo	
11	1440329X1	1	Nut, Hex. - Nyloc, M10	Ecrou Blocage	Flachmutter M10	Tuerca De Retención	
12	#CYLINDER	1	Cylinder	Cylinder	Cylinder	Cylinder	Loader Hydraulics
13	3521757M94	1	Pivot W/Assy	Pivot	Drehzapfen	Pivote	
14	3516762M1	1	Circlip	Segment D´Arrêt	Sicherungsring	Anillo De Resorte	
15	339300X1	1	Washer Dia 15	Rondelle	Scheibe	Arandela	
16	3516013M1	1	Bolt M10-40 Z5s	Boulon	Schraube	Tornillo	
17	1440329X1	1	Nut, Hex. - Nyloc, M10	Ecrou Blocage	Flachmutter M10	Tuerca De Retención	
18	3520465M5	1	Pin Large	Axe	Bolzen	Pasador	
19	3516014M1	1	Bolt - M10 X 90	Boulon - M10 X 90	Maschschraube M10	Tornillo	
20	1440329X1	1	Nut, Hex. - Nyloc, M10	Ecrou Blocage	Flachmutter M10	Tuerca De Retención	
21	339820X1	1	Circlip Ext 40mm	Anneau D´Arrêt	Sprengring	Anillo De Resorte	
22	3522361Z93	2	Link	Maillon	Gelenkstange	Eslabón, Conj.	
23	391129X1	1	Circlip - External - 50mm	Segment D´Arrêt	Sicherungsring	Anillo De Resorte	
24	3522679M94	1	Pin Large	Axe	Bolzen	Pasador	
25	3516352M1	1	Pointer - Rtd	Témoin	Anzeige	Indicador	
26	339081X1	1	Screw - Hex HD M10 X 20 ISO 8.8 Zn	Vis	Schraube	Tornillo	
27	390734X1	1	Washer M10-21-2 Z	Rondelle - M10	Unterlegscheibe	Arandela	
28	339376X1	1	Washer M10-18-2 Zsp	Rondelle Frein	Federring	Arandela De Freno	
29	1440329X1	1	Nut, Hex. - Nyloc, M10	Ecrou Blocage	Flachmutter M10	Tuerca De Retención	
30	3516013M1	1	Bolt M10-40 Z5s	Boulon	Schraube	Tornillo	



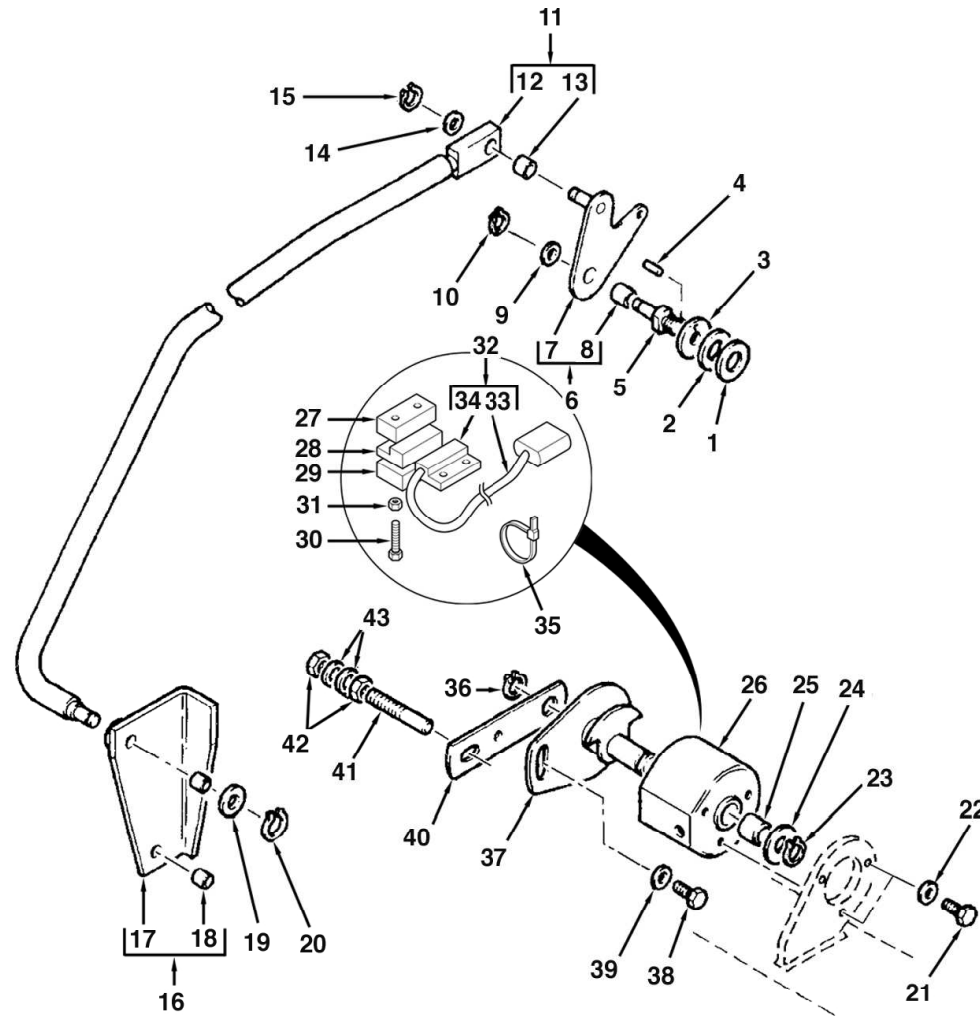
C-65002-03.1-A



Item	Part No.	Qty.	English	French	German	Spanish	Remarks
1	3522963M1	1	Washer, Thrust - >3.6mm<	Rondelle De Butée	Druckscheibe	Arandela De Tope	
2	3522962M1	1	Washer, Thrust - >2.6mm<	Rondelle De Butée	Druckscheibe	Arandela De Tope	
3	3522717M3	1	Washer Special	Rondelle Spéciale	Spezialscheibe	Arandela	
4	1441736X1	1	Pin Spirol 5-26	Goupille D´Arrêt	Klappstecker	Pasador Elástico	
5	3521799M5	1	Shaft Pivot	Arbre	Welle	Árbol	
6	3516765M91	1	Arm Assy	Bras Ass.	Arm Kplt	Brazo, Conj.	65002c04.1 34
7	#ARM	1	Arm	Bras	Arm	Brazo	Ref.6
8	3516761M1	1	Bush	Douille	Büchse	Anillo	
9	339300X1	1	Washer Dia 15	Rondelle	Scheibe	Arandela	
10	3516762M1	1	Circlip	Segment D´Arrêt	Sicherungsring	Anillo De Resorte	
11	6107911M91	1	Rod, Link - Return To Dig	Ensemble De Maillon	Gelenkstange Kpl.	Eslabón, Conj.	
12	#LINK	1	Link	Link	Link	Link	Ref.11
13	3516761M1	1	Bush	Douille	Büchse	Anillo	
14	339300X1	1	Washer Dia 15	Rondelle	Scheibe	Arandela	
15	3516762M1	1	Circlip	Segment D´Arrêt	Sicherungsring	Anillo De Resorte	
16	6100971M91	1	Link-Assy	Maillon Ass.	Gelenkstange Kplt	Soporte De Fijación	
17	#LINK	1	Link	Link	Link	Link	Ref.14
18	3516761M1	1	Bush	Douille	Büchse	Anillo	
19	339300X1	1	Washer Dia 15	Rondelle	Scheibe	Arandela	
20	3516762M1	1	Circlip	Segment D´Arrêt	Sicherungsring	Anillo De Resorte	
21	339123X1	3	Bolt M8-20 Z5f	Boulon M8 X 20	Maschschraube M8	Perno	
22	339374X1	3	Washer M8 -21-2 Z	Rondelle Frein - M8	Federring - M8	Arandela De Freno	
23	3516762M1	1	Circlip	Segment D´Arrêt	Sicherungsring	Anillo De Resorte	
24	339300X1	1	Washer Dia 15	Rondelle	Scheibe	Arandela	
25	3516761M1	1	Bush	Douille	Büchse	Anillo	
26	3521963M94	1	Housing - Mech. Rtn. To Dig Potentiom.	Carter	Gehäuse	Cárter	
27	3522874M1	2	Plate Tapped	Plaque	Platte	Placa	
28	3522649M2	1	Magnet Unit	Aimant	Magnet	Imán	
29	3522093M1	2	Spacer	Entretoise	Distanzstück	Traviesa	
30	3522673M2	4	Screw Pan HD	Vis	Schraube	Tornillo	



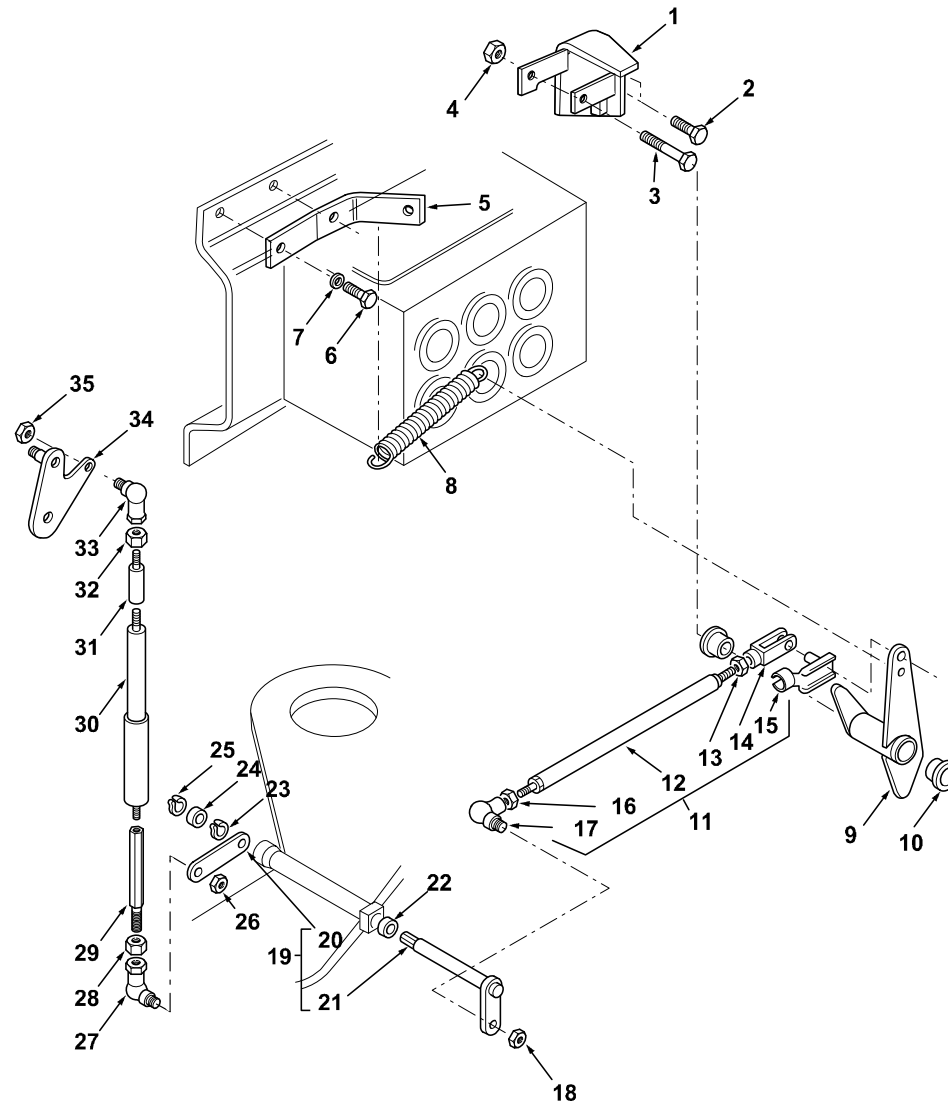
C-65002-03.1-A



Item	Part No.	Qty.	English	French	German	Spanish	Remarks
31	3522674M1	4	Washer Lock	Rondelle Frein	Scheibe, Sicherungs-	Arandela De Freno	
32	6101674M93	1	Harness - Return To Dig	Faisceau	Beschirrung	Haz, Conj.	
33	#HARNNESS	1	Harness	Harness	Harness	Harness	Ref.32
34	3522650M2	1	Potentiometer - Mech. Rtn.To Dig & Seat	Capteur	Potentiometer	Captador	
35	1862425M1	0	Tie 385mm T50I	Attache Cable	Kabelbinder	Enlace De Cable	
36	3516762M1	1	Circlip	Segment D´Arrêt	Sicherungsring	Anillo De Resorte	
37	3521967M96	1	Arm	Bras	Arm	Brazo	
38	339123X1	1	Bolt M8-20 Z5f	Boulon M8 X 20	Maschschraube M8	Perno	
39	390972X1	1	Washer M8-17-1 Zwel	Rondelle M8	Scheibe - M8	Arandela	
40	3516192M91	1	Arm	Bras	Arm	Brazo, Conj.	
41	3522075M2	1	Shaft Pivot	Pivot	Wellenzapfen	Pivote	
42	3009693X1	2	Nut M10 Z5 Normal	Ecrou Métrique	Mutter Metrisch	Tuerca	
43	339376X1	2	Washer M10-18-2 Zsp	Rondelle Frein	Federring	Arandela De Freno	



C-65002-04.1-B

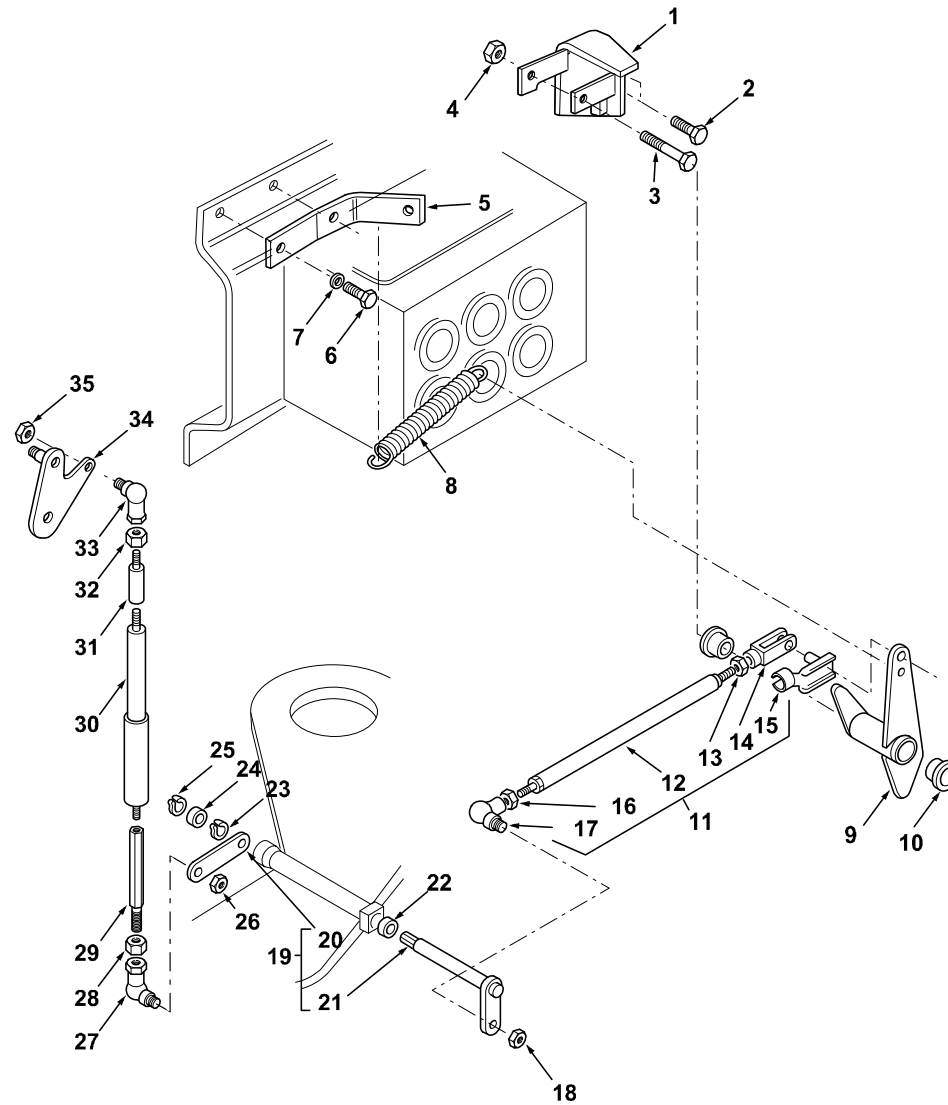




Item	Part No.	Qty.	English	French	German	Spanish	Remarks
1	6109363M92	1	Bracket - Self Level Lever W/Assy	Patte Fixation	Halter	Cuchara, Conj.	
2	3009492X1	2	Bolt - Hex. M10 X 25	Boulon M10 X 25	Schraube M10 X 25	Tornillo	
3	3009517X1	1	Bolt M12-100	Goupille	Bolzen	Tornillo	
4	1440330X1	1	Nut Nyloc M12	Ecrou	Flachmutter M12	Tuerca	
5	6109369M1	1	Anchor Spring	Siège De Ressort	Federsitz	Ancla	
6	3009492X1	2	Bolt - Hex. M10 X 25	Boulon M10 X 25	Schraube M10 X 25	Tornillo	
7	385362X1	2	Washer, Hardened - M10	Rondelle - M10	Unterlegscheibe M10	Arandela	
8	3519680M2	1	Spring	Siège De Ressort	Federsitz	Muelle	
9	6106694M91	1	Lever-Self Level	Levier Ass.	Hebel Kpl.	Palanca, Conj.	
10	6106560M1	2	Bush	Douille	Buechse	Anillo	
11	6106691M92	1	Rod Assy Self Level	Ensemble Tringlerie	Gestänge	Tirantes, Conj.	
12	#ROD	1	Rod	Rod	Rod	Rod	Ref. 11
13	3009693X1	1	Nut M10 Z5 Normal	Ecrou Métrique	Mutter Metrisch	Tuerca	
14	3521833M1	1	Clevis	Chape	Gabelverbindung	Brida	
15	3521834M1	1	Pin Clevis	Axe De Chape	Gabelstift	Eje De Brida	
16	3009693X1	1	Nut M10 Z5 Normal	Ecrou Métrique	Mutter Metrisch	Tuerca	
17	3521794M91	1	Joint Ball	Rotule	Kugelgelenk	Rotula	
18	1440329X1	1	Nut, Hex. - Nyloc, M10	Ecrou Blocage	Flachmutter M10	Tuerca De Retención	
19	6109072M91	1	Lever/Arm Assy. Self Level	Ensemble De Bras	Arm Kpl.	Brazo, Conj.	
20	#LEVER	1	Lever	Lever	Lever	Lever	Ref. 19
21	#ARM	1	Arm	Bras	Arm	Brazo	Ref. 19
22	3521514M5	1	Bush	Douille	Büchse	Anillo	
23	339710X1	1	Circlip Ext 11mm	Segmet D´Arrêt	Sicherungsring	Anillo De Resorte	
24	3521514M5	1	Bush	Douille	Büchse	Anillo	
25	339710X1	1	Circlip Ext 11mm	Segment D´Arrêt	Sicherungsring	Anillo De Resorte	
26	1440329X1	1	Nut, Hex. - Nyloc, M10	Ecrou Blocage	Flachmutter M10	Tuerca De Retención	
27	3521794M91	1	Joint Ball	Rotule	Kugelgelenk	Rotula	
28	3009693X1	1	Nut M10 Z5 Normal	Ecrou Métrique	Mutter Metrisch	Tuerca	
29	6112271M1	1	Turnbuckle- RH	Tendeur De Tringle	Spannschloss	Torniquete	
30	6106239M91	1	Gas Strut - Bucket Levelling	Ensemble D&Amortiss.	Dämpfer Kpl.	Antivibrador, Conj.	



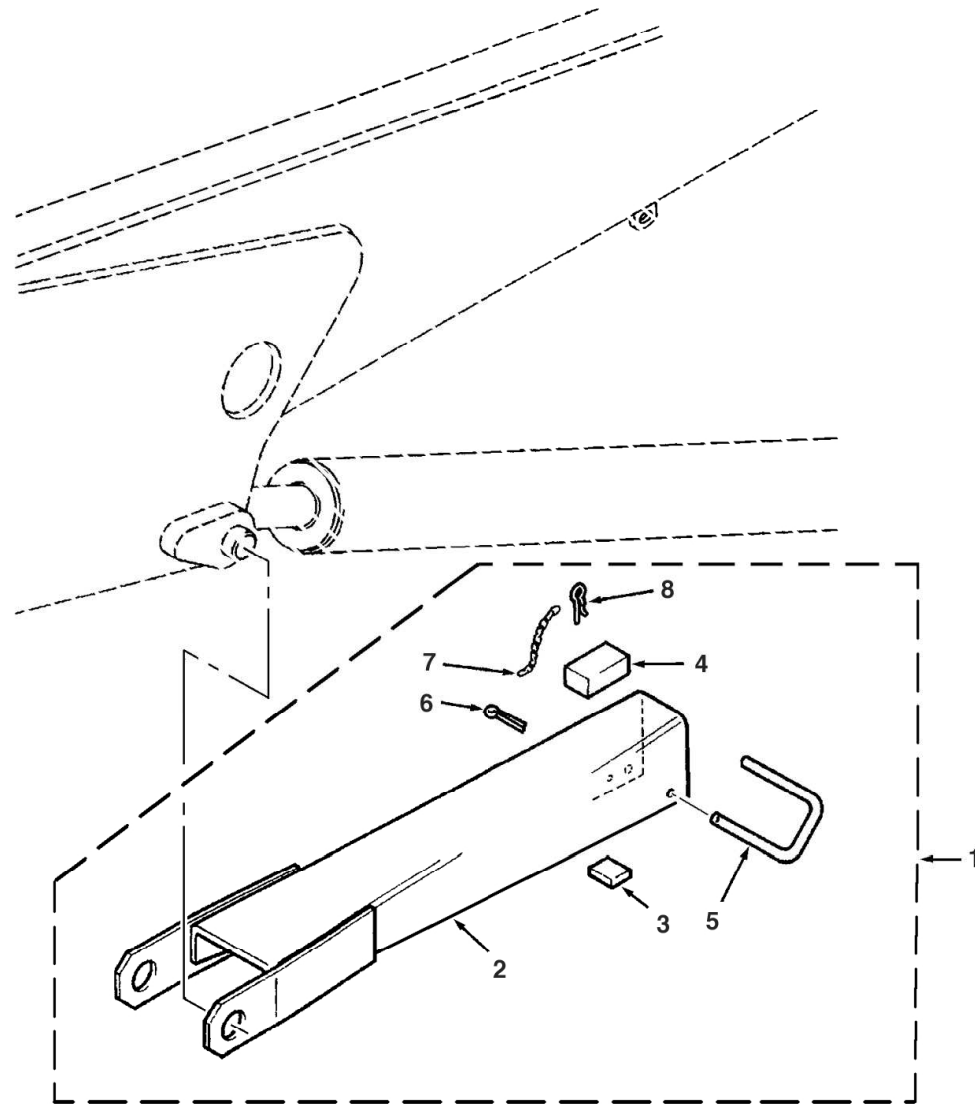
C-65002-04.1-B



Item	Part No.	Qty.	English	French	German	Spanish	Remarks
31	6106241M1	1	Turnbuckle-Gas Strut	Tendeur De Tringle	Spannschloss	Torniquete	LH Thread
32	6107340M1	1	Nut-Hex M10x1.5 LH	Ecrou	Mutter	Tuerca	
33	3521889M91	1	Joint Ball	Rotule	Kugelgelenk	Rotula	LH Thread
34	3516765M91	1	Arm Assy	Bras Ass.	Arm Kplt	Brazo, Conj.	65002c03.1 6
35	1440329X1	1	Nut, Hex. - Nyloc, M10	Ecrou Blocage	Flachmutter M10	Tuerca De Retención	



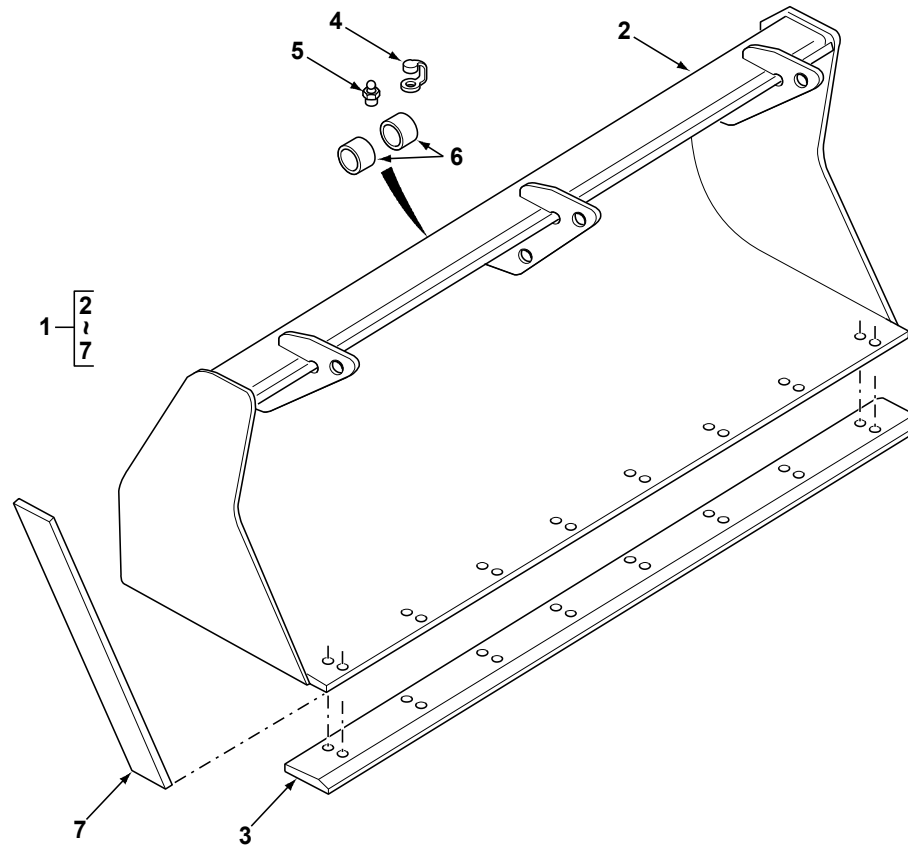
C-65002-05.1-A



Item	Part No.	Qty.	English	French	German	Spanish	Remarks
1	6101183M92	1	Arm-Safety	Support	Haltevorrichtung	Apoyadero, Conj.	
2	#SUPPORT	1	Support	Support	Support	Support	Ref.1
3	1471300M1	1	Pad Neoprene	Plaque Antidérapante	Zwischenlage	Tope	
4	1458633M3	1	Pad-Neoprene	Plaque Antidérapante	Zwischenlage	Tope	
5	3521910M2	1	Pin Double	Axe	Bolzen	Pasador De Parada	
6	1442994X1	1	Pin Cotter M3.2x25	Démodé	Überholt	Pasador	
7	3517165M1	1	Chain (Agriculture)	Chaîne	Kette	Cadena	
8	377165X1	1	Split Pin/Safety Pin	Goupille D'Arrêt	Splint	Pasador De Parada	

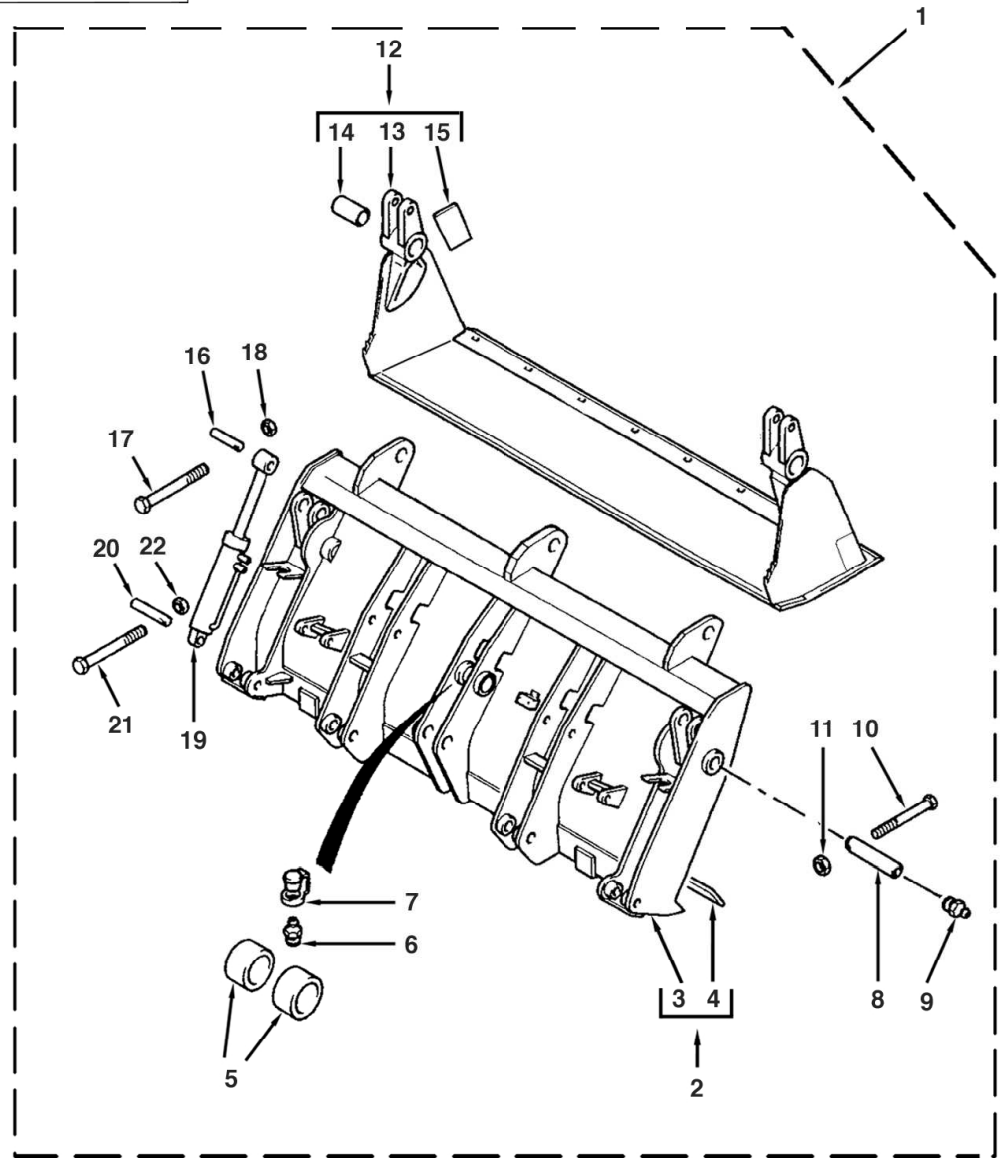


C-66004-01.1-A



Item	Part No.	Qty.	English	French	German	Spanish	Remarks
1	6108217M91	1	Bucket 1.2cm Std Ldr With Fork Brackets	Godet	Ladeschaufel	Cuchara, Conj.	
2	#BUCKET	1	Bucket	Bucket	Bucket	Bucket	Ref.1
3	6103440M1	1	Blade-Wide Bucket	Lame	Planierschild	Cuchilla	1.2m <sup>3</sup> Bucket
4	3516180M2	1	Cap Grease Nipple	Cache	Abdeckung	Tapa	
5	339608X1	1	Grease Nipple - M10 X 1 (Zinc)	Nipple De Graissage	Schmiernippel	Engrasador	
6	3520033M1	2	Bush	Douille	Büchse	Anillo	
7	6103458M1	2	Blade-1cm Bucket Side	Lame D'Attaque	Schneidkante	Cuchilla De Ataque	

C-66006-01.1-A

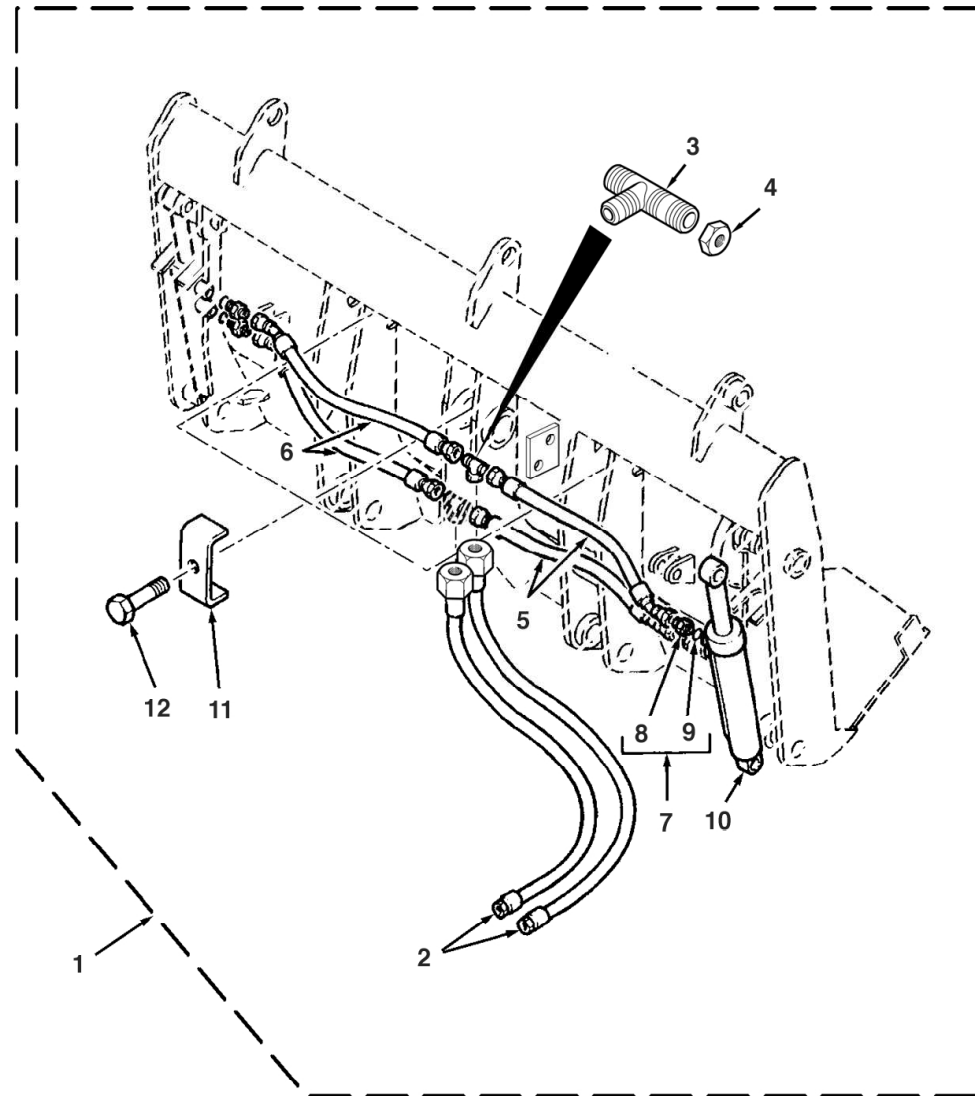




Item	Part No.	Qty.	English	French	German	Spanish	Remarks
1	6106283M92	1	Bucket-1.2cu.M Mp Ldr 28cm Side Long	Godet	Ladeschaufel	Cuchara - 7 X 1	
2	3517159M1	2	Pin	Axe	Bolzen	Pasador	
3	6111075M91	1	Cylinder 4 In 1 Bucket	Cylinder 4 In 1 Bucket	Cylinder 4 In 1 Bucket	Cylinder 4 In 1 Bucket	
4	6106215M1	2	Pin-Mp Ldr Bucket Cyl Rod End	Axe	Bolzen	Pasador	
5	1440329X1	2	Nut, Hex. - Nyloc, M10	Ecrou Blocage	Flachmutter M10	Tuerca De Retención	
6	3009504X1	2	Bolt M10-100 Z5s	Goupille	Bolzen M10 X 100	Tornillo	
7	#BUCKET	1	Bucket	Bucket	Bucket	Bucket	
8	339608X1	1	Grease Nipple - M10 X 1 (Zinc)	Nipple De Graissage	Schmiernippel	Engrasador	
9	3516180M2	1	Cap Grease Nipple	Cache	Abdeckung	Tapa	
10	6103647M92	1	Clam-1.2 Cm Fermec Ldr Bucket	Mâchoire	Backe	Mordaza, Conj.	
11	6103657M1	2	Blade	Lame	Klinge	Cuchilla De Ataque	
12	3519689M1	2	Bushing	Bague	Büchse	Anillo	
13	#CLAM ASSY	1	Clam Assy	Clam Assy	Clam Assy	Clam Assy	
14	339891X1	2	Bolt M8-80 Z5s	Boulon M8 X 80	Maschschraube M8	Tornillo	
15	394367X1	2	Nut, Hex. - Nyloc, M8	Ecrou Blocage M8	Flachmutter - M8	Tuerca De Retención	
16	MP1056	2	Grease Nipple	Nipple De Graissage	Schmiernippel	Engrasador	
17	3507539M1	2	Pin-Main Pivot	Axe	Bolzen	Pasador	
18	3519514M1	1	Blade	Lame	Klinge	Cuchilla	
19	6103620M92	1	Backblade-1.2 Cm	Lame	Klinge	Cuchara - 7 X 1	
20	3520033M1	2	Bush	Douille	Büchse	Anillo	
21	390246X1	2	Bolt M8-70	Goupille	Bolzen	Perno	
22	394367X1	2	Nut, Hex. - Nyloc, M8	Ecrou Blocage M8	Flachmutter - M8	Tuerca De Retención	



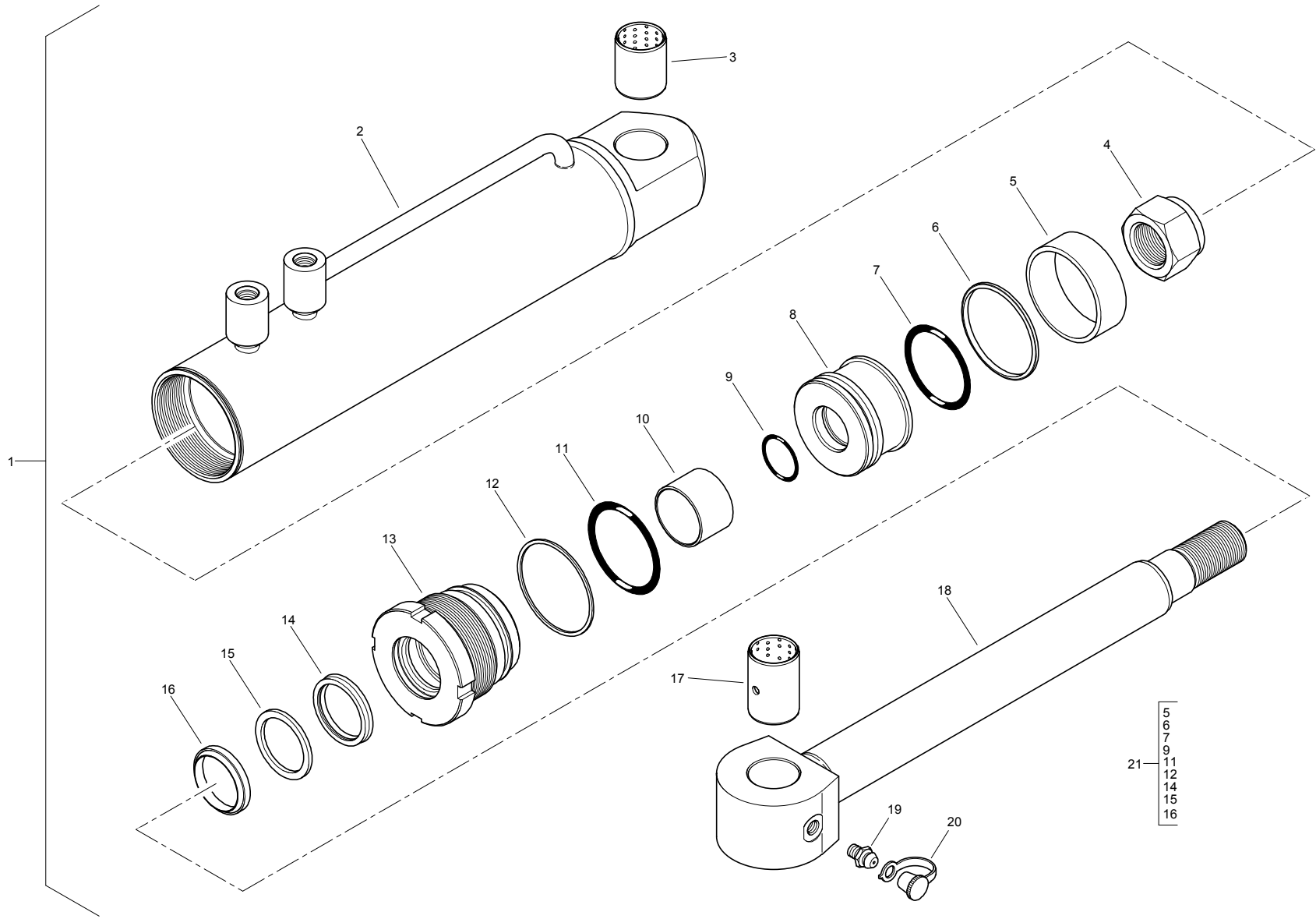
C-66006-02.1-A



Item	Part No.	Qty.	English	French	German	Spanish	Remarks
1	831452M1	1	O Ring (Pack Of 10)	Joint Torique	O Ring	Junta De Tipo O	
2	#UNION	1	Union	Union	Union	Union	
3	835091M91	4	Connector 9/16 Unf	Borne	Doppelnippel	Unión	
4	6106213M91	2	Hose-Mp Loader Bucket	Flexible Ass.	Schlauch Kplt	Flexible, Conj.	
5	218-1236	2	Connector, "T" - Special	Raccord En T	T-Stück	Te	
6	356614X1	2	Nut, Large, Hex. - Jamb, 1/2" Unf	Ecrou	Mutter	Tuerca De Retención	
7	339761X1	3	Bolt M8-25 Z5f	Goupille	Bolzen M8 X 25	Tornillo	
8	3522094M2	3	Clamp - Tube	Bride De Fixation	Befestigungshalter	Brida De Fijación	
9	6106212M91	2	Hose-Mp Loader Bucket	Flexible Ass.	Schlauch Kplt	Flexible, Conj.	
10	6106214M91	2	Hose-Mp Loader Bucket	Flexible Ass.	Schlauch Kplt	Flexible, Conj.	



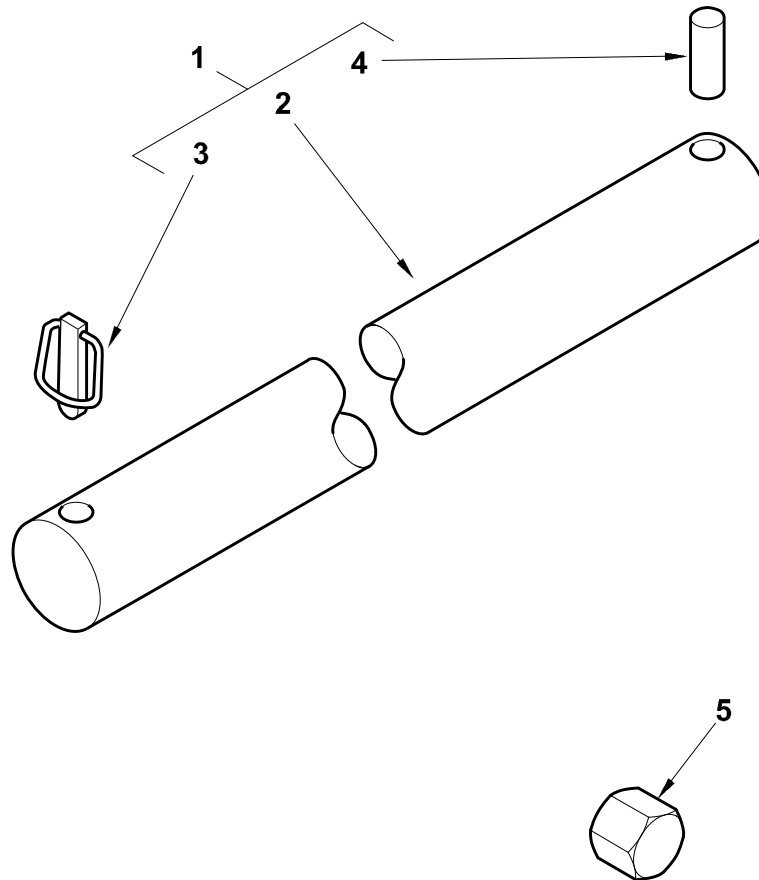
C-66006-03.2-A



Item	Part No.	Qty.	English	French	German	Spanish	Remarks
1	6111075M91	1	Cylinder 4 In 1 Bucket	Cylinder 4 In 1 Bucket	Cylinder 4 In 1 Bucket	Cylinder 4 In 1 Bucket	
2	6195221M91GY03	1	Tube - S/A (Terex Grey)	Tube - S/A (Terex Grey)	Tube - S/A (Terex Grey)	Tube - S/A (Terex Grey)	
3	6195225M1	1	Bush	Bush	Bush	Bush	
4	6194600M1	1	Nut - Nyloc	Ecrou Blocage	Flachmutter	Tuerca	
5	6194606M1	1	Bearing - Piston	Coussinet	Lager	Teniendo - Pistón	
6	6194604M1	1	Seal - Piston	Joint Étanchéité	Dichtring	Junta	
7	6195227M1	1	O - Ring	O - Ring	O - Ring	O - Ring	
8	6194598M1	1	Piston	Piston	Kolben	Pistón	
9	6195228M1	1	O - Ring	O - Ring	O - Ring	O - Ring	
10	6195226M1	1	Bush - Bimetal	Bush - Bimetal	Bush - Bimetal	Bush - Bimetal	
11	6195229M1	1	O - Ring	O - Ring	O - Ring	O - Ring	
12	6194613M1	1	Ring - Back Up	Contre Bague	Stutzring	ContraJunta	
13	6195223M1	1	Cover - Head End	Cover - Head End	Cover - Head End	Cover - Head End	
14	6195216M1	1	Seal - Rod	Seal - Rod	Seal - Rod	Seal - Rod	
15	6195217M1	1	Ring - Back Up	Ring - Back Up	Ring - Back Up	Ring - Back Up	
16	6195218M1	1	Wiper	Wiper	Wiper	Wiper	
17	6195224M1	1	Bush	Bush	Bush	Bush	
18	6195222M91	1	Rod - S/A	Rod - S/A	Rod - S/A	Rod - S/A	
19	MP1056	1	Grease Nipple	Nipple De Graissage	Schmiernippel	Engrasador	
20	3516180M2	1	Cap Grease Nipple	Cache	Abdeckung	Tapa	
21	6195230M91	1	Seal Kit	Seal Kit	Seal Kit	Seal Kit	



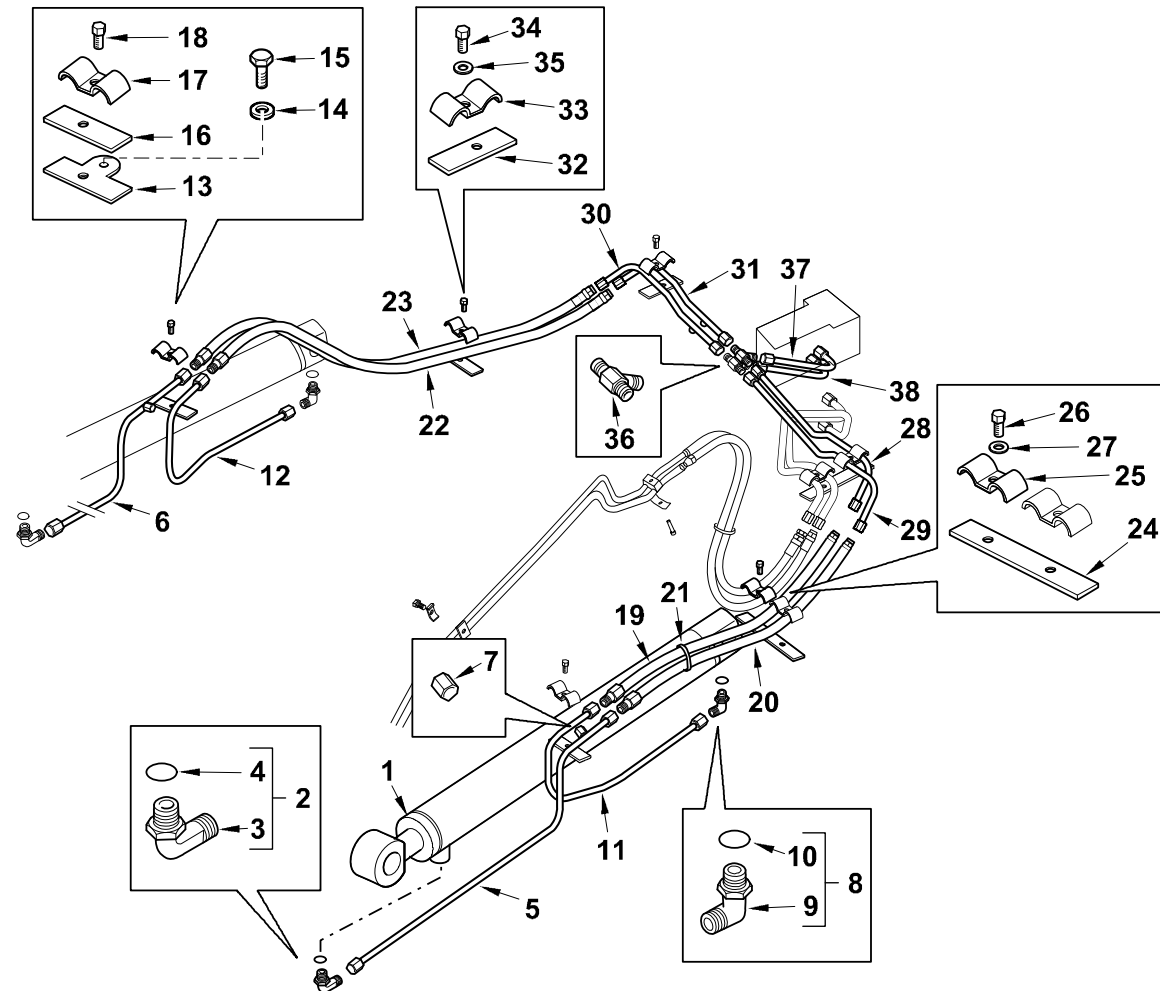
C-66007-01.1-B



<b>Item</b>	<b>Part No.</b>	<b>Qty.</b>	<b>English</b>	<b>French</b>	<b>German</b>	<b>Spanish</b>	<b>Remarks</b>
1	3518087M91	1	Bar Locking Assy	Barre	Stab	Barra	
2	3518086M1	1	Bar Locking	Barre	Stab	Barra	
3	3516522M91	1	Pin Safety Linch	Goupille D´Arrêt	Klappstecker	Pasador De Parada	
4	3019327X1	1	Pin Spirol M12-60	Axe	Bolzen	Pasador	
5	22833X	2	Cap Tube	Capuchon	Wetterkappe	Obturador	



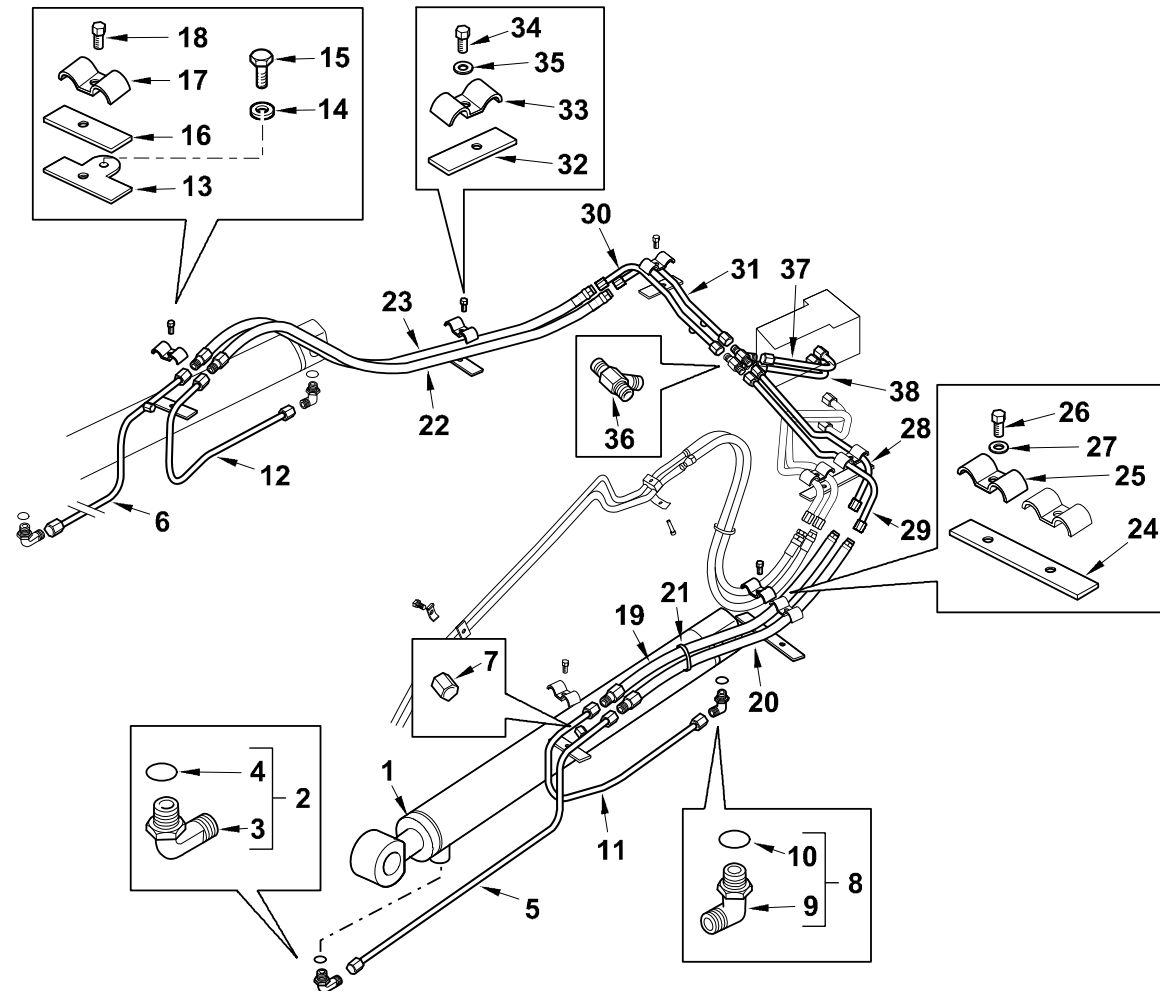
C-67002-01.1-B





Item	Part No.	Qty.	English	French	German	Spanish	Remarks
1	6111077M91GY03	2	Cylinder Lift High Spec	Verin Hydraulique	Hydraulikzyl	Cilindro Hidrauli	Wipro
1	6109553M91	2	Cylinder - Lift High Spec	L' Hie Hydraulique	Zylinder Hydr.	Gato, Conj.	Pacoma
2	835007M91	2	Elbow 90 Degree Adjust	Coude 90°	Kniestück 90°	Codo, 90°	
3	#ELBOW	1	Elbow	Elbow	Elbow	Elbow	Ref. 2
4	835024M1	1	Ring O - Boa	Joint Torique	O Ring	Junta De Tipo O	
5	6109544M91	1	Tube-Ldr Hyd	Tuyauterie	Rohrleitung Kplt	Conjunto De Tubería	Pacoma
5	6111167M91	1	Tube Assembly - Loader	Tuyauterie	Rohrleitung Kplt	Conjunto De Tubería	Wipro
6	6109548M91	1	Tube-Ldr Hyd	Tuyauterie	Rohrleitung Kplt	Conjunto De Tubería	Pacoma
6	6111169M91	1	Tube Assembly - Loader	Tuyauterie	Rohrleitung Kplt	Conjunto De Tubería	Wipro
7	356579X1	2	Cap Tube 9/16	Capuchon	Wetterkappe	Sombbrero	
8	835007M91	2	Elbow 90 Degree Adjust	Coude 90°	Kniestück 90°	Codo, 90°	
9	#ELBOW	1	Elbow	Elbow	Elbow	Elbow	Ref. 8
10	835024M1	1	Ring O - Boa	Joint Torique	O Ring	Junta De Tipo O	
11	6111168M91	1	Tube Assembly - Loader	Tuyauterie	Rohrleitung Kplt	Conjunto De Tubería	Wipro
11	6109546M91	1	Tube-Ldr Hyd	Tuyauterie	Rohrleitung Kplt	Conjunto De Tubería	Pacoma
12	6109550M91	1	Tube-Ldr Hyd	Tuyauterie	Rohrleitung Kplt	Conjunto De Tubería	Pacoma
12	6111170M91	1	Tube Assembly - Loader	Tuyauterie	Rohrleitung Kplt	Conjunto De Tubería	Wipro
13	6109791M91	2	Clamp Plate Assy	Ensemble De Plaque	Platte Kpl.	Placa, Conj.	
14	339374X1	2	Washer M8 -21-2 Z	Rondelle Frein - M8	Federring - M8	Arandela De Freno	
15	339123X1	2	Bolt M8-20 Z5f	Boulon M8 X 20	Maschschraube M8	Perno	
16	6106109M1	2	Pad-Neoprene	Tampon	Klotz	Placa, Caucho	
17	6101228M1	2	Clamp-Tube-Assy	Collier De Serrage	Klemme	Brida De Fijación	
18	339123X1	2	Bolt M8-20 Z5f	Boulon M8 X 20	Maschschraube M8	Perno	
19	6109919M91	1	Hose Assy - Lift Cylinder Head	Flexible Ass.	Schlauch Kplt	Flexible, Conj.	
20	6109372M91	1	Hose Assy - Lift Cylinder Rod	Flexible Ass.	Schlauch Kplt	Flexible, Conj.	
21	1876229M1	2	Tie 270mm Lk2a	Attache Câble	Kabelbinder	Enlace De Cable	
22	6109919M91	1	Hose Assy - Lift Cylinder Head	Flexible Ass.	Schlauch Kplt	Flexible, Conj.	
23	6109372M91	1	Hose Assy - Lift Cylinder Rod	Flexible Ass.	Schlauch Kplt	Flexible, Conj.	
24	6101897M1	1	Pad-Rubber	Plaque De Caoutchouc	Gummiplatte	Placa, Caucho	
25	6101228M1	2	Clamp-Tube-Assy	Collier De Serrage	Klemme	Brida De Fijación	

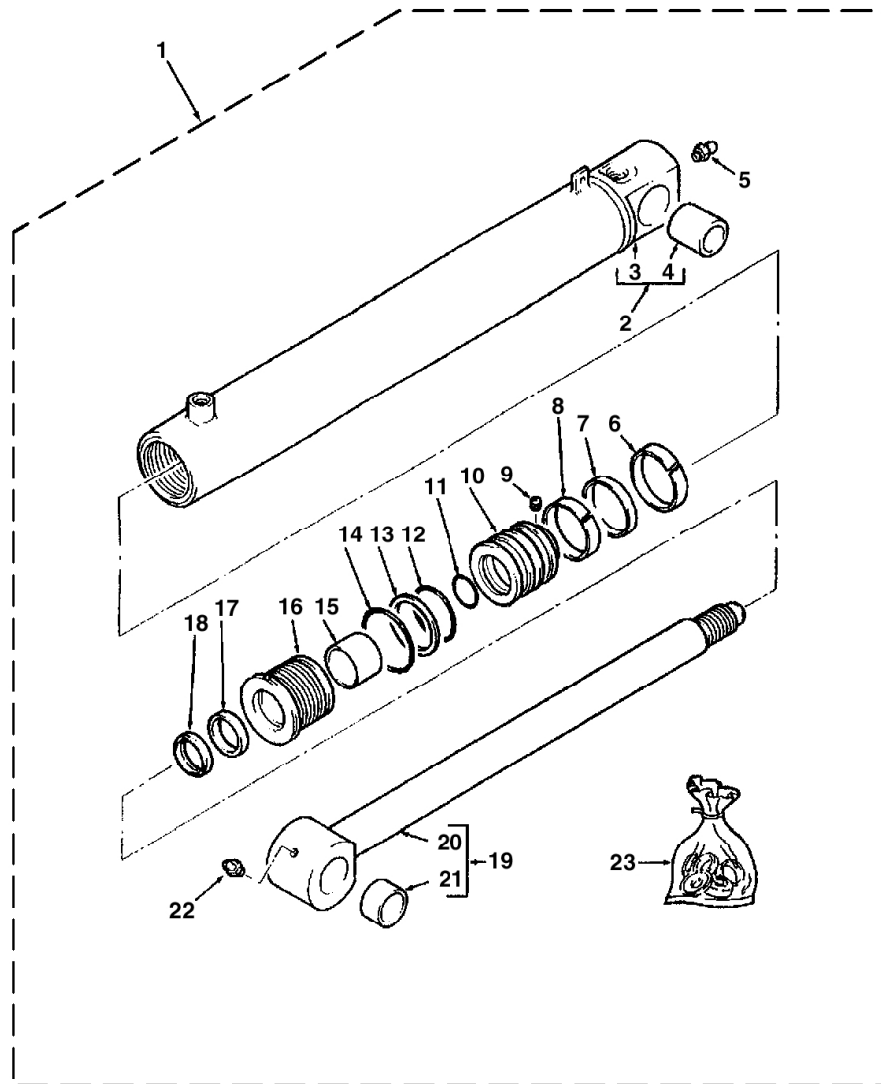
C-67002-01.1-B



Item	Part No.	Qty.	English	French	German	Spanish	Remarks
26	339124X1	2	Bolt M8-16 Z5f	Goupille	Maschschrb Metr - M8	Tornillo	
27	390972X1	2	Washer M8-17-1 Zwl	Rondelle M8	Scheibe - M8	Arandela	
28	6109412M91	1	Tube-Ldr Hyd HD RH	Tuyauterie	Rohrleitung Kplt	Conjunto De Tubería	
29	6109414M91	1	Tube-Ldr Hyd Rod LH	Tuyauterie	Rohrleitung Kplt	Conjunto De Tubería	
30	6109416M91	1	Tube-Ldr Hyd HD RH	Tuyauterie	Rohrleitung Kplt	Conjunto De Tubería	
31	6109418M91	1	Tube-Ldr Hyd Rod LH	Tuyauterie	Rohrleitung Kplt	Conjunto De Tubería	
32	6106109M1	2	Pad-Neoprene	Tampon	Klotz	Placa, Caucho	
33	6101228M1	2	Clamp-Tube-Assy	Collier De Serrage	Klemme	Brida De Fijación	
34	339124X1	2	Bolt M8-16 Z5f	Goupille	Maschschrb Metr - M8	Tornillo	
35	390972X1	2	Washer M8-17-1 Zwl	Rondelle M8	Scheibe - M8	Arandela	
36	356561X1	2	Tee-Union	Te	T-Stück	Te	
37	6109428M91	1	Tube-Ldr Hyd Rod	Tuyauterie	Rohrleitung Kplt	Conjunto De Tubería	
38	6109430M91	1	Tube-Ldr Hyd HD	Tuyauterie	Rohrleitung Kplt	Conjunto De Tubería	

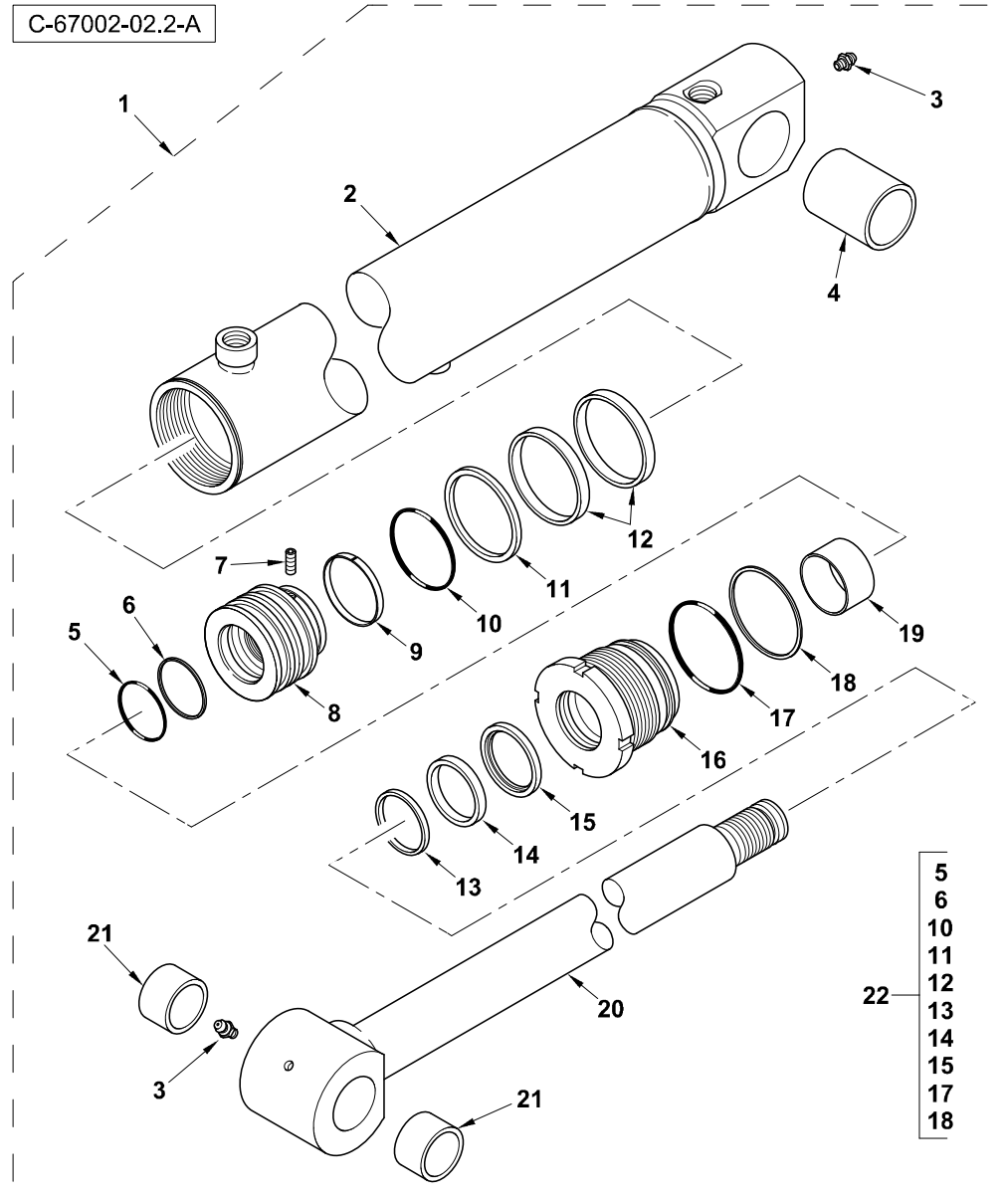


C-67002-02.1-B



Item	Part No.	Qty.	English	French	German	Spanish	Remarks
1	6109553M91	2	Cylinder - Lift High Spec	L'Hie Hydraulique	Zylinder Hydr.	Gato, Conj.	67002c01.1 1
2	#TUBE, CYLINDER	1	Tube, Cylinder	Tube, Cylinder	Tube, Cylinder	Tube, Cylinder	
3	#TUBE, CYLINDER	1	Tube, Cylinder	Tube, Cylinder	Tube, Cylinder	Tube, Cylinder	Ref. 2
4	3623322M1	1	Bush	Douille	Büchse	Anillo	
5	339608X1	1	Grease Nipple - M10 X 1 (Zinc)	Nipple De Graissage	Schmiernippel	Engrasador	
6	3485892M1	1	Guide Ring Piston	Bague D'Étanchéité	Dichtungsring	Anillo, Estanqueidad	
7	3485245M91	1	Seal Assy Piston	Joint Ass.	Dichtung Kplt	Junta, Conj.	
8	3485892M1	1	Guide Ring Piston	Bague D'Étanchéité	Dichtungsring	Anillo, Estanqueidad	
9	3402928M1	1	Screw, Socket Head - Piston Locating	Vis Tête Hex	Zylinderschraube	Tornillo	
10	3487180M1	1	Piston	Piston	Kolben	Pistón De Gato	
11	359183X1	1	O-Ring	Joint Torique	O-Ring	Junta De Tipo O	
12	359193X1	1	O-Ring	Joint Torique	O-Ring	Junta De Tipo O	
13	1606735M1	1	Ring Back-Up	Contre Bague	Stützring	ContraJunta	
14	3623641M1	1	O-Ring	Joint Torique	O-Ring	Junta De Tipo O	
15	3443550M1	1	Ring Rod Guide	Anneau	Ring	Aro	
16	5002159M1	1	Bearing	Roulement	Lager	Palier De Gato	
17	3403067M1	1	Seal	Joint D'Arbre	Wellendichtring	Anillo, Estanqueidad	
18	1606058M1	1	Wiper Ring	Joint De Racleur	Abstreifdichtung	Junta Raspador	
19	3441920M91	1	Piston Rod Assy	Tige De Vérin	Kolbenstange	Vástago Cilindro	
20	#ROD, PISTON	1	Rod, Piston	Rod, Piston	Rod, Piston	Rod, Piston	Ref. 19
21	3623323M1	2	Bush	Douille	Büchse	Anillo	
22	339608X1	1	Grease Nipple - M10 X 1 (Zinc)	Nipple De Graissage	Schmiernippel	Engrasador	
23	5001975M91	1	Kit Seal	Jeu Étanchéité	Dichtringsatz	Juego De Juntas	





Item	Part No.	Qty.	English	French	German	Spanish	Remarks
1	6111077M91GY03	1	Cylinder Lift High Spec	Verin Hydraulique	Hydraulikzyl	Cilindro Hidraulic	
2	6195241M91GY03	1	Tube - S/A (Terex Grey)	Tube - S/A (Terex Grey)	Tube - S/A (Terex Grey)	Tube - S/A (Terex Grey)	
3	6194542M1	2	Nipple - Grease	Graisseur Coude	Nippel	Manguito, Engrasador	
4	6195244M1	1	Bush	Bush	Bush	Bush	
5	6195247M1	1	O - Ring	O - Ring	O - Ring	O - Ring	
6	6194570M1	1	Ring - Back Up	Contre Bague	Stutzring	ContraJunta	
7	6194619M1	1	Set Screw	Vis	Schraube	Tornillo De Ajuste	
8	6195242M1	1	Piston	Piston	Piston	Piston	
9	6195246M1	1	Ring - Snap	Ring - Snap	Ring - Snap	Ring - Snap	
10	6195186M1	1	O-Ring	O-Ring	O-Ring	O-Ring	
11	6194635M1	1	Seal - Piston	Joint Étanchéité	Dichtring	Junta	
12	6194634M1	2	Bearing - Piston	Coussinet	Lager	Teniendo - Pistón	
13	6194590M1	1	Wiper	Essuyeur	Wischer	Raspador, Escobilla	
14	6194589M1	1	Seal - Rod	Joint Étanchéité	Dichtring	Junta	
15	6194588M1	1	Seal - Rod (Primary)	Joint Étanchéité	Dichtring	Junta	
16	6195243M1	1	Cover - H.E.	Cover - H.E.	Cover - H.E.	Cover - H.E.	
17	6195189M1	1	O-Ring	O-Ring	O-Ring	O-Ring	
18	6194641M1	1	Ring - Back Up	Contre Bague	Stutzring	ContraJunta	
19	6194593M1	1	Bush - Bimetal	Douille	Büchse	Juego De Anillos	
20	6194537M91	1	Rod - Piston	Bielle De Piston	Pleuelstange	Rod - Pistón	
21	6195245M1	2	Bush	Bush	Bush	Bush	
22	6195248M91	1	Seal Kit	Seal Kit	Seal Kit	Seal Kit	





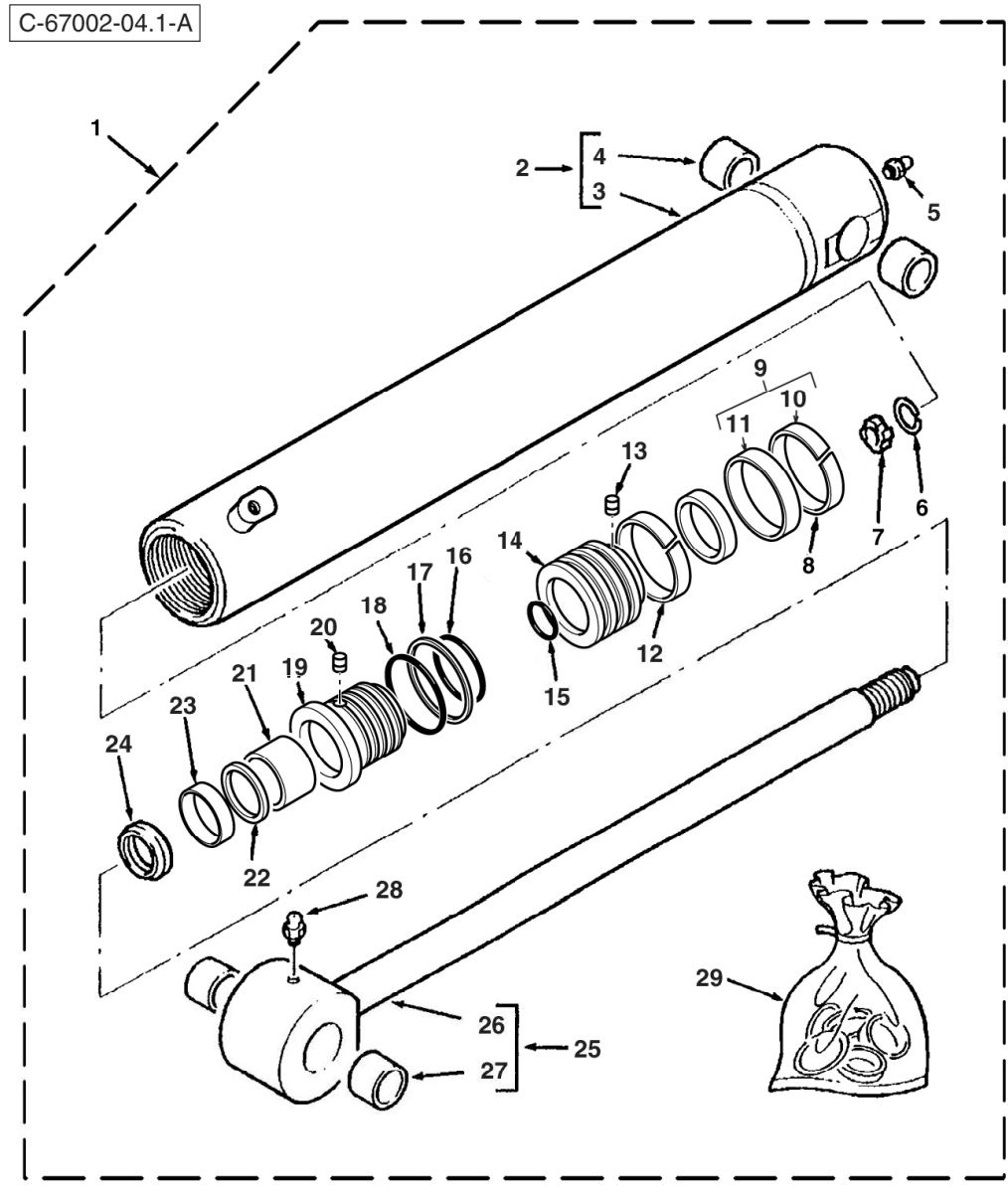


Item	Part No.	Qty.	English	French	German	Spanish	Remarks
1	6111076M91GY03	1	Cylinder Loader Bucket High Spec	Cylindre	Zylinder	Cilindro	Wipro
1	5000120M91	1	Cylinder Loader Bucket - Hi Spec	L´Hie Hydraulique	Zylinder Hydr.	Gato, Conj.	Pacoma
2	835013M91	1	Connector 7/8 Jic	Raccord	Schraubanschluss	Conexión, Conj.	
3	#UNION	1	Union	Union	Union	Union	Ref. 2
4	835024M1	1	Ring O - Boa	Joint Torique	O Ring	Junta De Tipo O	
5	6109514M91	1	Tube-Ldr Hyd Bucket Rod	Tuyauterie	Rohrleitung Kplt	Conjunto De Tubería	
6	835007M91	1	Elbow 90 Degree Adjust	Coude 90°	Kniestück 90°	Codo, 90°	
7	#ELBOW	1	Elbow	Elbow	Elbow	Elbow	Ref. 6
8	835024M1	1	Ring O - Boa	Joint Torique	O Ring	Junta De Tipo O	
9	6109536M91	1	Tube Assy - Bucket Head	Tuyauterie	Rohrleitung Kplt	Conjunto De Tubería	
10	6109526M91	1	Clamp Plate Assy	Ensemble De Plaque	Platte Kpl.	Placa, Conj.	
11	6106109M1	1	Pad-Neoprene	Tampon	Klotz	Placa, Caucho	
12	339761X1	1	Bolt M8-25 Z5f	Goupille	Bolzen M8 X 25	Tornillo	
13	6109530M91	1	Hose Assy - Bucket Cyl Head	Flexible Ass.	Schlauch Kplt	Flexible, Conj.	
14	6109529M91	1	Hose Assy - Bucket Cyl Rod	Flexible Ass.	Schlauch Kplt	Flexible, Conj.	
15	6106109M1	2	Pad-Neoprene	Tampon	Klotz	Placa, Caucho	
16	6101228M1	2	Clamp-Tube-Assy	Collier De Serrage	Klemme	Brida De Fijación	
17	339123X1	2	Bolt M8-20 Z5f	Boulon M8 X 20	Maschschraube M8	Perno	
18	6102461M91	1	Tube Assy	Tuyauterie	Rohrleitung Kplt	Conjunto De Tubería	
19	6102463M91	1	Tube Assy	Tuyauterie	Rohrleitung Kplt	Conjunto De Tubería	
20	3520528M2	1	Clamp Block Ldr Beam	Collier De Serrage	Klemme	Argolla De Cierre	
21	3520534M1	1	Clamp (Zinc Plated)	Collier De Serrage	Klemme	Brida De Fijación	
22	339291X1	1	Bolt M8-55 Z5s	Goupille	Bolzen M8 X 55	Tornillo	
23	6109793M91	1	Hose Assy - Bucket Cyl Rod	Flexible Ass.	Schlauch Kplt	Flexible, Conj.	
24	6109543M91	1	Hose Assy - Bkt Cylinder Head	Flexible Ass.	Schlauch Kplt	Flexible, Conj.	
25	1876229M1	1	Tie 270mm Lk2a	Attache Câble	Kabelbinder	Enlace De Cable	
26	6109420M91	1	Tube-Ldr Hyd Bucket Rod	Tuyauterie	Rohrleitung Kplt	Conjunto De Tubería	
27	6109422M91	1	Tube-Ldr Hyd Bucket HD	Tuyauterie	Rohrleitung Kplt	Conjunto De Tubería	
28	6101897M1	2	Pad-Rubber	Plaque De Caoutchouc	Gummiplatte	Placa, Caucho	
29	6101228M1	3	Clamp-Tube-Assy	Collier De Serrage	Klemme	Brida De Fijación	



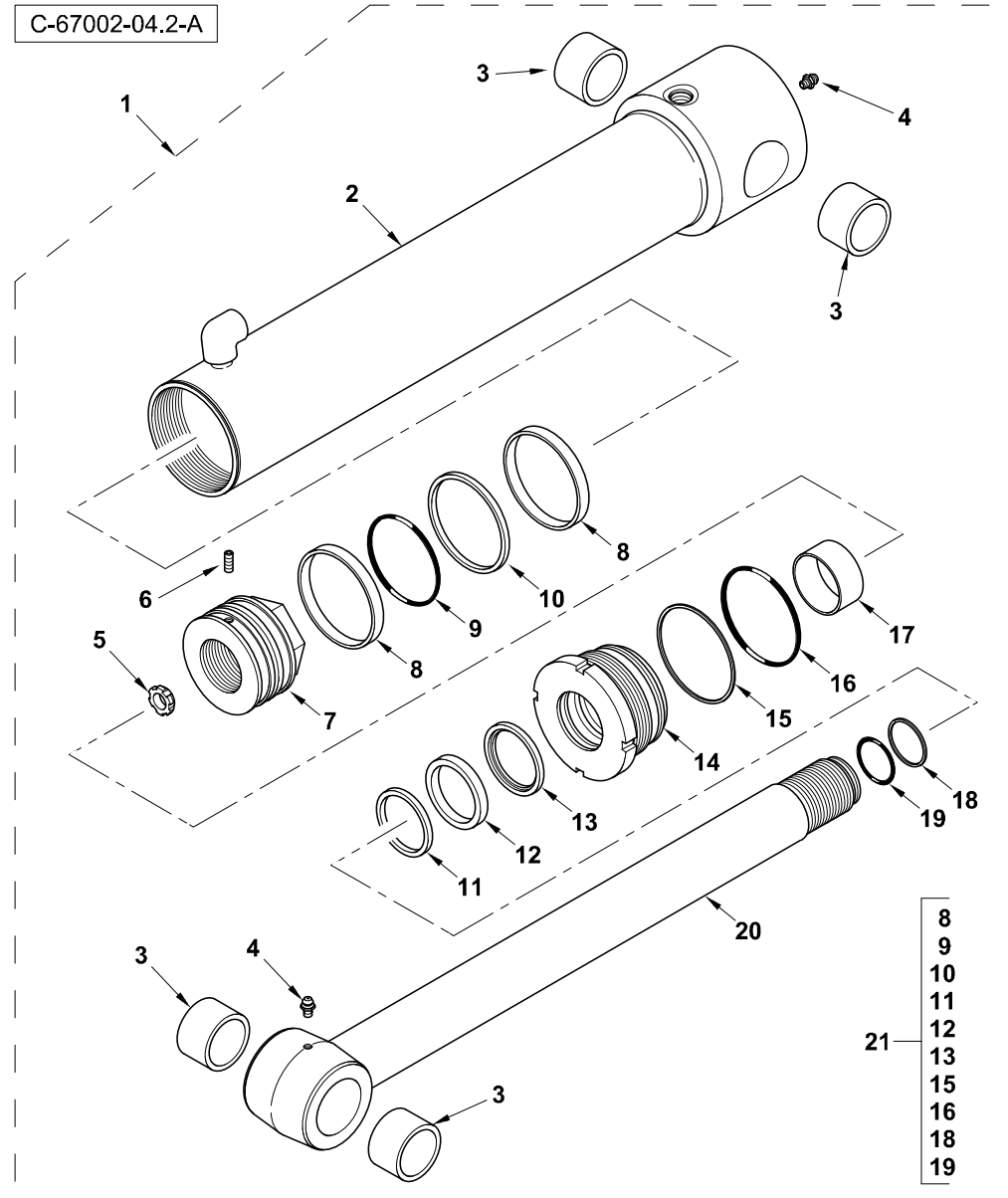


Item	Part No.	Qty.	English	French	German	Spanish	Remarks
30	339124X1	3	Bolt M8-16 Z5f	Goupille	Maschschr Metr - M8	Tornillo	
31	390972X1	3	Washer M8-17-1 Zwl	Rondelle M8	Scheibe - M8	Arandela	
32	6109424M93	1	Tube Assembly - Loader Hyd 7 In 1 HD	Ensemble Tube	Rohr Kpl	Conjunto De Tubería	H200 7 2060
32	6111904M91	1	Tube Assembly 7 In 1 HD	Ensemble Tube	Rohr Kpl	Conjunto De Tubería	H200 7 2060
33	6111903M91	1	Tube Assembly 7 In 1 Rod	Ensemble Tube	Rohr Kpl	Conjunto De Tubería	H200 7 2060
33	6109426M92	1	Tube Assy (7 In 1 Rod)	Tuyauterie	Rohr Kpl	Conjunto De Tubería	H200 7 2060
34	356447X1	2	Plug 37 Flare	Bouchon	Stopfen	Obturador	



Item	Part No.	Qty.	English	French	German	Spanish	Remarks
1	5000120M91	1	Cylinder Loader Bucket - Hi Spec	L´Hie Hydraulique	Zylinder Hydr.	Gato, Conj.	67002c03.1 1
2	5003936M91	1	Barrel Cylinder	Ensemble De Vérin	Zylinder Kpl.	Gato, Conj.	
3	#TUBE, CYLINDER	1	Tube, Cylinder	Tube, Cylinder	Tube, Cylinder	Tube, Cylinder	Ref. 3
4	3623390M1	2	Bush	Douille	Buechse	Casquillo	
5	339608X1	1	Grease Nipple - M10 X 1 (Zinc)	Nipple De Graissage	Schmiernippel	Engrasador	
6	3186587M1	1	Snap Ring	Anneau D´Arrêt	Sprengring	Anillo De Resorte	
7	3186586M1	1	Ring Cushioning	Anneau	Ring	Aro	
8	3442376M1	1	Ring Piston Guide	Anneau	Ring	Aro	
9	3485249M91	1	Seal Piston	Joint	Dichtung	Junta	
10	#SEAL	1	Seal	Joint Étanchéité	Dichtring	Retén	Ref. 9
11	#SEAL	1	Seal	Joint Étanchéité	Dichtring	Retén	Ref. 9
12	3442376M1	1	Ring Piston Guide	Anneau	Ring	Aro	
13	3402928M1	1	Screw, Socket Head - Piston Locating	Vis Tête Hex	Zylinderschraube	Tornillo	
14	3485147M1	1	Piston	Piston	Kolben	Pistón	
15	359186X1	1	O-Ring	Joint Torique	O-Ring	Junta De Tipo O	
16	359201X1	1	O Ring	Joint Torique	O Ring	Junta De Tipo O	
17	1024334M1	1	Ring, Back-Up	Contre Bague	Stuetzring	Aro	
18	3487909M1	1	O-Ring	Joint Torique	O-Ring	Junta De Tipo O	
19	5003941M1	1	Bearing	Roulement	Lager	Cojinete	
20	3443386M1	1	Retaining Plug	Bouchon	Stopfen	Tapón	
21	3484615M1	1	Guide Ring	Anneau	Ring	Aro	
22	3484055M1	1	Ring Buffer	Anneau	Ring	Aro	
23	3485185M1	1	Seal	Joint D´Arbre	Wellendichtring	Junta	
24	3487015M1	1	Wiper Ring	Anneau	Ring	Aro	
25	3441631M91	1	Piston Rod Assy	Tige De Vérin	Kolbenstange	Vástago Cilindro	
26	#ROD, PISTON	1	Rod, Piston	Rod, Piston	Rod, Piston	Rod, Piston	Ref. 23
27	3623390M1	2	Bush	Douille	Buechse	Casquillo	
28	339608X1	1	Grease Nipple - M10 X 1 (Zinc)	Nipple De Graissage	Schmiernippel	Engrasador	
29	3623397M91	1	Kit Seal	Jeu Étanchéité	Dichtringsatz	Juego De Piezas	

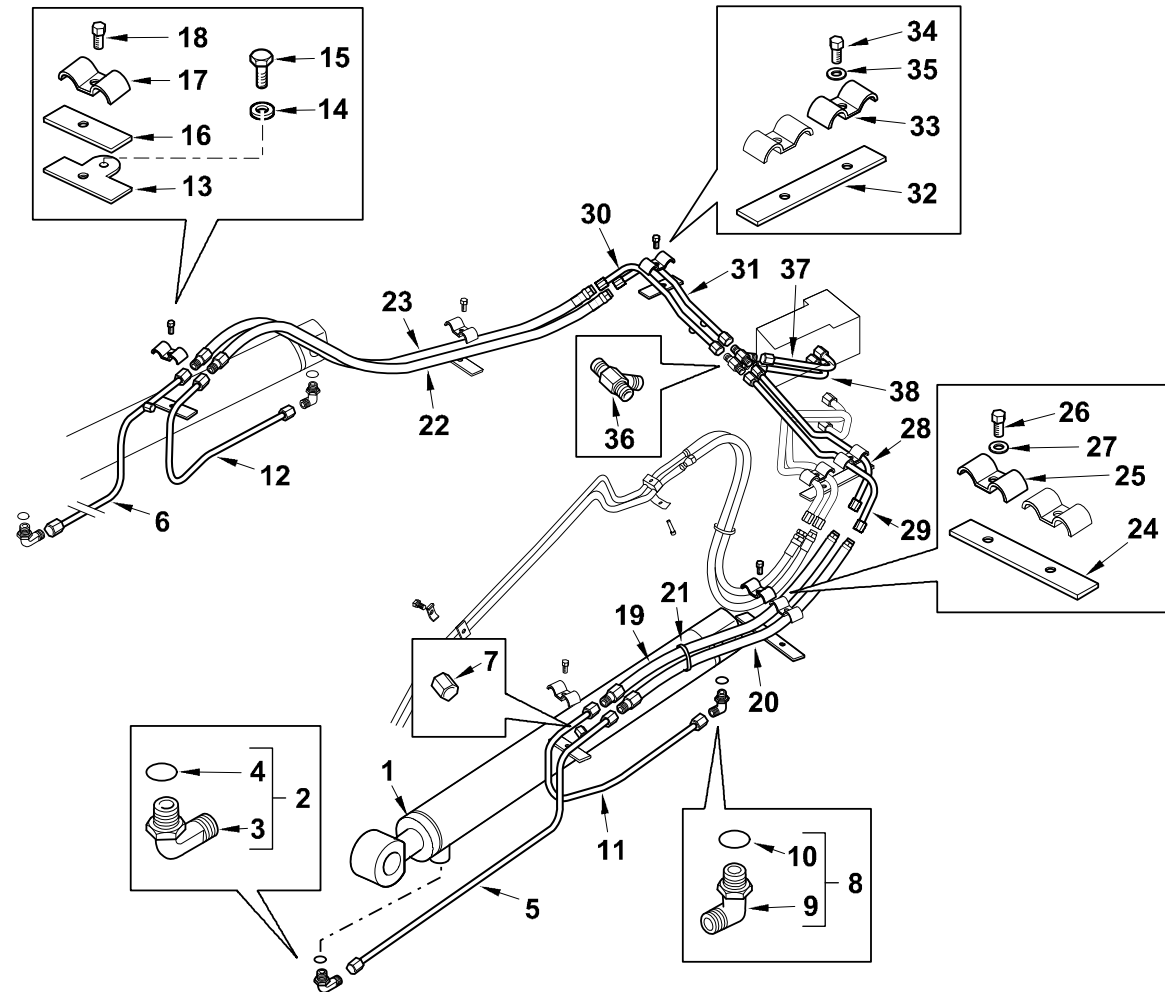




Item	Part No.	Qty.	English	French	German	Spanish	Remarks
1	6111076M91GY03	1	Cylinder Loader Bucket High Spec	Cylindre	Zylinder	Cilindro	
2	6195231M91GY03	1	Tube - S/A (Terex Grey)	Tube - S/A (Terex Grey)	Tube - S/A (Terex Grey)	Tube - S/A (Terex Grey)	
3	6195234M1	4	Bush	Bush	Bush	Bush	
4	6194542M1	2	Nipple - Grease	Graisseur Coude	Nippel	Manguito, Engrasador	
5	6195235M1	1	Ring - Cushion	Ring - Cushion	Ring - Cushion	Ring - Cushion	
6	6195236M1	1	Set Screw - Hex Socket	Set Screw - Hex Socket	Set Screw - Hex Socket	Set Screw - Hex Socket	
7	6195232M1	1	Piston	Piston	Piston	Piston	
8	6194568M1	2	Bearing - Piston	Coussinet	Lager	Teniendo - Pistón	
9	6194567M1	1	O Ring (Std)	Joint Torique	O Ring	Junta De Tipo O	
10	6194566M1	1	Seal - Piston	Joint Étanchéité	Dichtring	Junta	
11	6194554M1	1	Wiper	Essuyeur	Wischer	Raspador, Escobilla	
12	6194551M1	1	Seal- Rod (Secondary)	Joint Étanchéité	Dichtring	Junta	
13	6194638M1	1	Seal - Rod (Primary)	Joint Étanchéité	Dichtring	Junta	
14	6195233M1	1	Cover - H.E.	Cover - H.E.	Cover - H.E.	Cover - H.E.	
15	6195238M1	1	Ring - Back Up	Ring - Back Up	Ring - Back Up	Ring - Back Up	
16	6195237M1	1	O - Ring	O - Ring	O - Ring	O - Ring	
17	6194541M1	1	Bush - Bimetal	Douille	Büchse	Juego De Anillos	
18	6194549M1	1	Ring - Back Up	Contre Bague	Stutzring	ContraJunta	
19	6195193M1	1	O-Ring	O-Ring	O-Ring	O-Ring	
20	6194537M91	1	Rod - Piston	Bielle De Piston	Pleuelstange	Rod - Pistón	
21	6195239M91	1	Seal Kit	Jeu Etancheite	Dichtringsatz	Juego Retenes	



C-67004-01.1-B

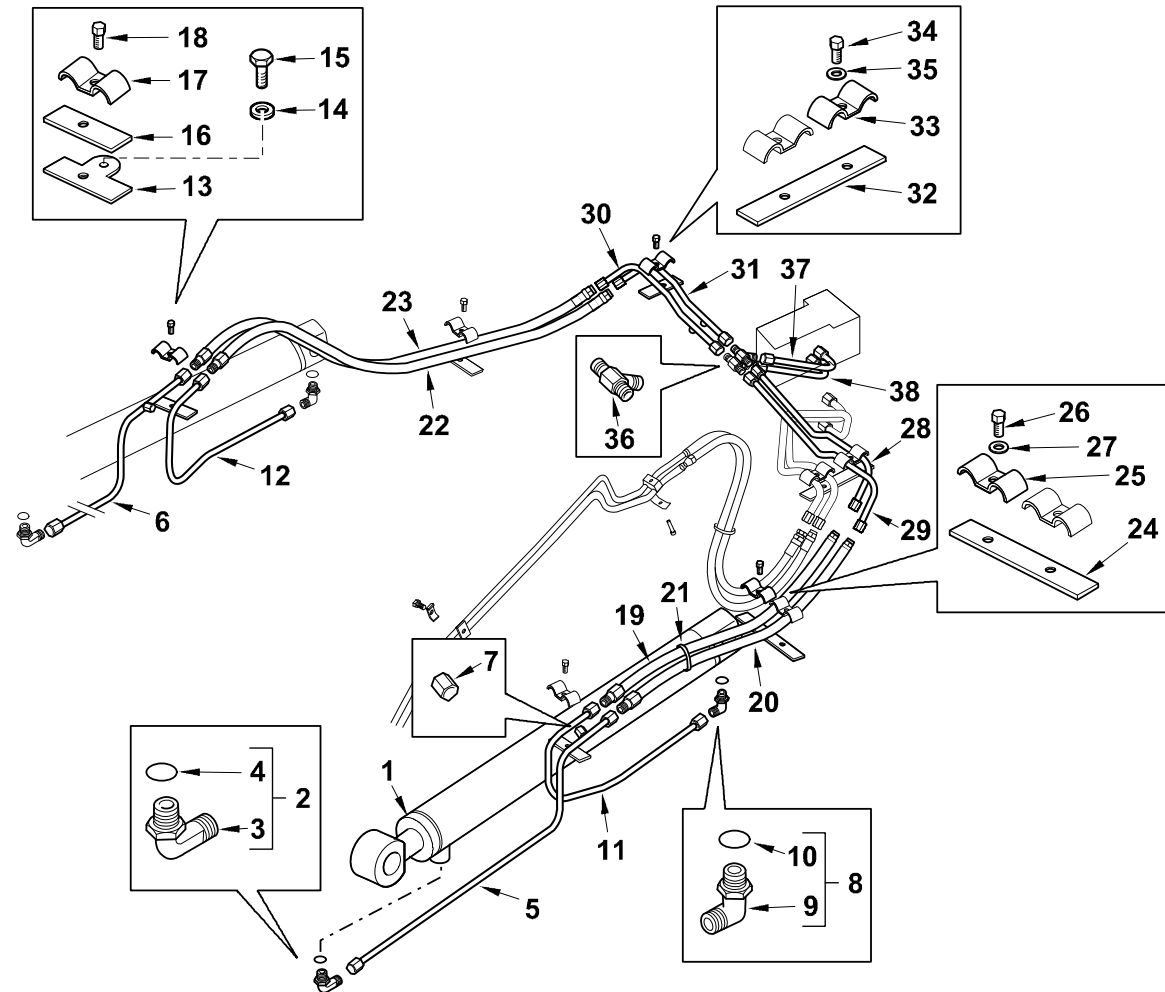




Item	Part No.	Qty.	English	French	German	Spanish	Remarks
1	6109553M91	2	Cylinder - Lift High Spec	L'Hie Hydraulique	Zylinder Hydr.	Gato, Conj.	Pacoma
1	6111077M91GY03	2	Cylinder Lift High Spec	Verin Hydraulique	Hydraulikzyl	Cilindro Hidrauli	Wipro
2	835007M91	2	Elbow 90 Degree Adjust	Coude 90°	Kniestück 90°	Codo, 90°	
3	#ELBOW	1	Elbow	Elbow	Elbow	Elbow	Ref. 2
4	835024M1	1	Ring O - Boa	Joint Torique	O Ring	Junta De Tipo O	
5	6111167M91	1	Tube Assembly - Loader	Tuyauterie	Rohrleitung Kplt	Conjunto De Tubería	Wipro
5	6109544M91	1	Tube-Ldr Hyd	Tuyauterie	Rohrleitung Kplt	Conjunto De Tubería	Pacoma
6	6111169M91	1	Tube Assembly - Loader	Tuyauterie	Rohrleitung Kplt	Conjunto De Tubería	Wipro
6	6109548M91	1	Tube-Ldr Hyd	Tuyauterie	Rohrleitung Kplt	Conjunto De Tubería	Pacoma
7	356579X1	2	Cap Tube 9/16	Capuchon	Wetterkappe	Sombbrero	
8	835007M91	2	Elbow 90 Degree Adjust	Coude 90°	Kniestück 90°	Codo, 90°	
9	#ELBOW	1	Elbow	Elbow	Elbow	Elbow	Ref. 8
10	835024M1	1	Ring O - Boa	Joint Torique	O Ring	Junta De Tipo O	
11	6111168M91	1	Tube Assembly - Loader	Tuyauterie	Rohrleitung Kplt	Conjunto De Tubería	Wipro
11	6109546M91	1	Tube-Ldr Hyd	Tuyauterie	Rohrleitung Kplt	Conjunto De Tubería	Pacoma
12	6111170M91	1	Tube Assembly - Loader	Tuyauterie	Rohrleitung Kplt	Conjunto De Tubería	Wipro
12	6109550M91	1	Tube-Ldr Hyd	Tuyauterie	Rohrleitung Kplt	Conjunto De Tubería	Pacoma
13	6109791M91	2	Clamp Plate Assy	Ensemble De Plaque	Platte Kpl.	Placa, Conj.	
14	339374X1	2	Washer M8 -21-2 Z	Rondelle Frein - M8	Federring - M8	Arandela De Freno	
15	339123X1	2	Bolt M8-20 Z5f	Boulon M8 X 20	Maschschraube M8	Perno	
16	6106109M1	2	Pad-Neoprene	Tampon	Klotz	Placa, Caucho	
17	6101228M1	2	Clamp-Tube-Assy	Collier De Serrage	Klemme	Brida De Fijación	
18	339123X1	2	Bolt M8-20 Z5f	Boulon M8 X 20	Maschschraube M8	Perno	
19	6109919M91	1	Hose Assy - Lift Cylinder Head	Flexible Ass.	Schlauch Kplt	Flexible, Conj.	
20	6109372M91	1	Hose Assy - Lift Cylinder Rod	Flexible Ass.	Schlauch Kplt	Flexible, Conj.	
21	1876229M1	2	Tie 270mm Lk2a	Attache Câble	Kabelbinder	Enlace De Cable	
22	6109919M91	1	Hose Assy - Lift Cylinder Head	Flexible Ass.	Schlauch Kplt	Flexible, Conj.	
23	6109372M91	1	Hose Assy - Lift Cylinder Rod	Flexible Ass.	Schlauch Kplt	Flexible, Conj.	
24	6101897M1	1	Pad-Rubber	Plaque De Caoutchouc	Gummiplatte	Placa, Caucho	
25	6101228M1	2	Clamp-Tube-Assy	Collier De Serrage	Klemme	Brida De Fijación	



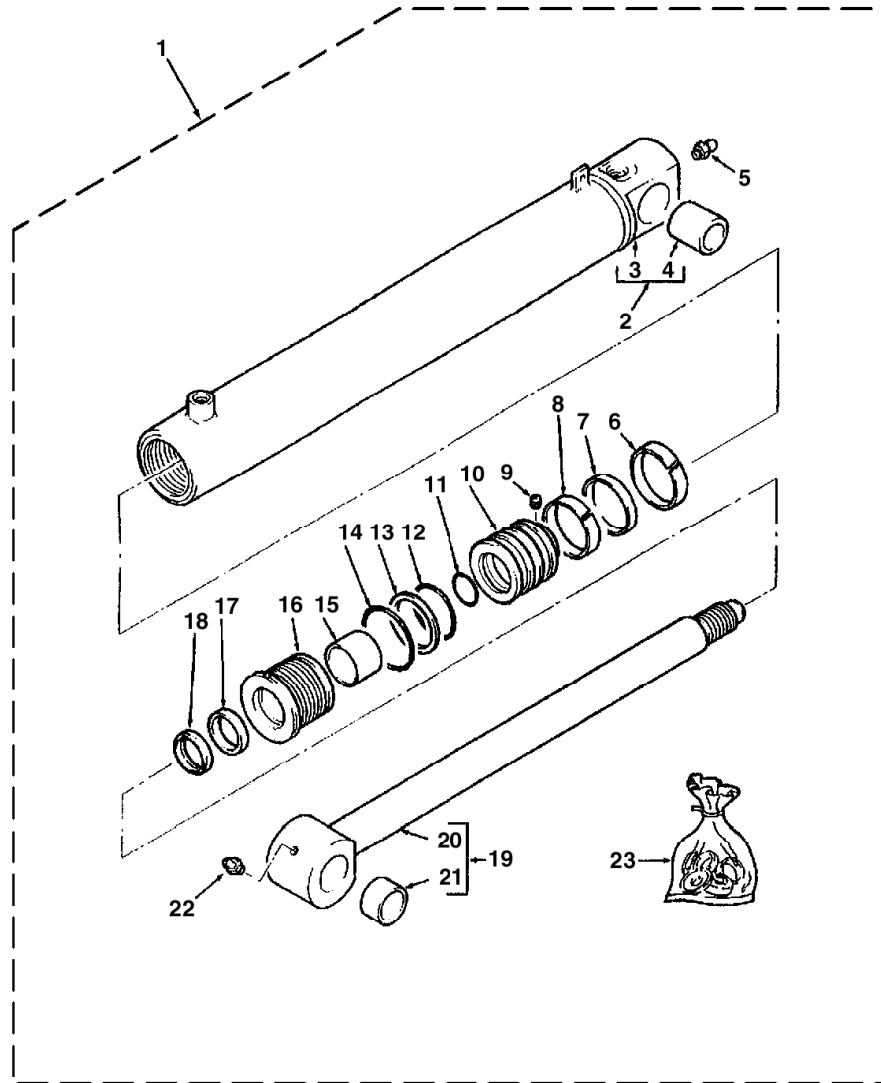
C-67004-01.1-B



Item	Part No.	Qty.	English	French	German	Spanish	Remarks
26	339124X1	2	Bolt M8-16 Z5f	Goupille	Maschschrb Metr - M8	Tornillo	
27	390972X1	2	Washer M8-17-1 Zwel	Rondelle M8	Scheibe - M8	Arandela	
28	6109412M91	1	Tube-Ldr Hyd HD RH	Tuyauterie	Rohrleitung Kplt	Conjunto De Tubería	
29	6109414M91	1	Tube-Ldr Hyd Rod LH	Tuyauterie	Rohrleitung Kplt	Conjunto De Tubería	
30	6109416M91	1	Tube-Ldr Hyd HD RH	Tuyauterie	Rohrleitung Kplt	Conjunto De Tubería	
31	6109418M91	1	Tube-Ldr Hyd Rod LH	Tuyauterie	Rohrleitung Kplt	Conjunto De Tubería	
32	6101897M1	2	Pad-Rubber	Plaque De Caoutchouc	Gummiplatte	Placa, Caucho	
33	6101228M1	4	Clamp-Tube-Assy	Collier De Serrage	Klemme	Brida De Fijación	
34	339124X1	4	Bolt M8-16 Z5f	Goupille	Maschschrb Metr - M8	Tornillo	
35	390972X1	4	Washer M8-17-1 Zwel	Rondelle M8	Scheibe - M8	Arandela	
36	356561X1	2	Tee-Union	Te	T-Stück	Te	
37	6109428M91	1	Tube-Ldr Hyd Rod	Tuyauterie	Rohrleitung Kplt	Conjunto De Tubería	
38	6109430M91	1	Tube-Ldr Hyd HD	Tuyauterie	Rohrleitung Kplt	Conjunto De Tubería	

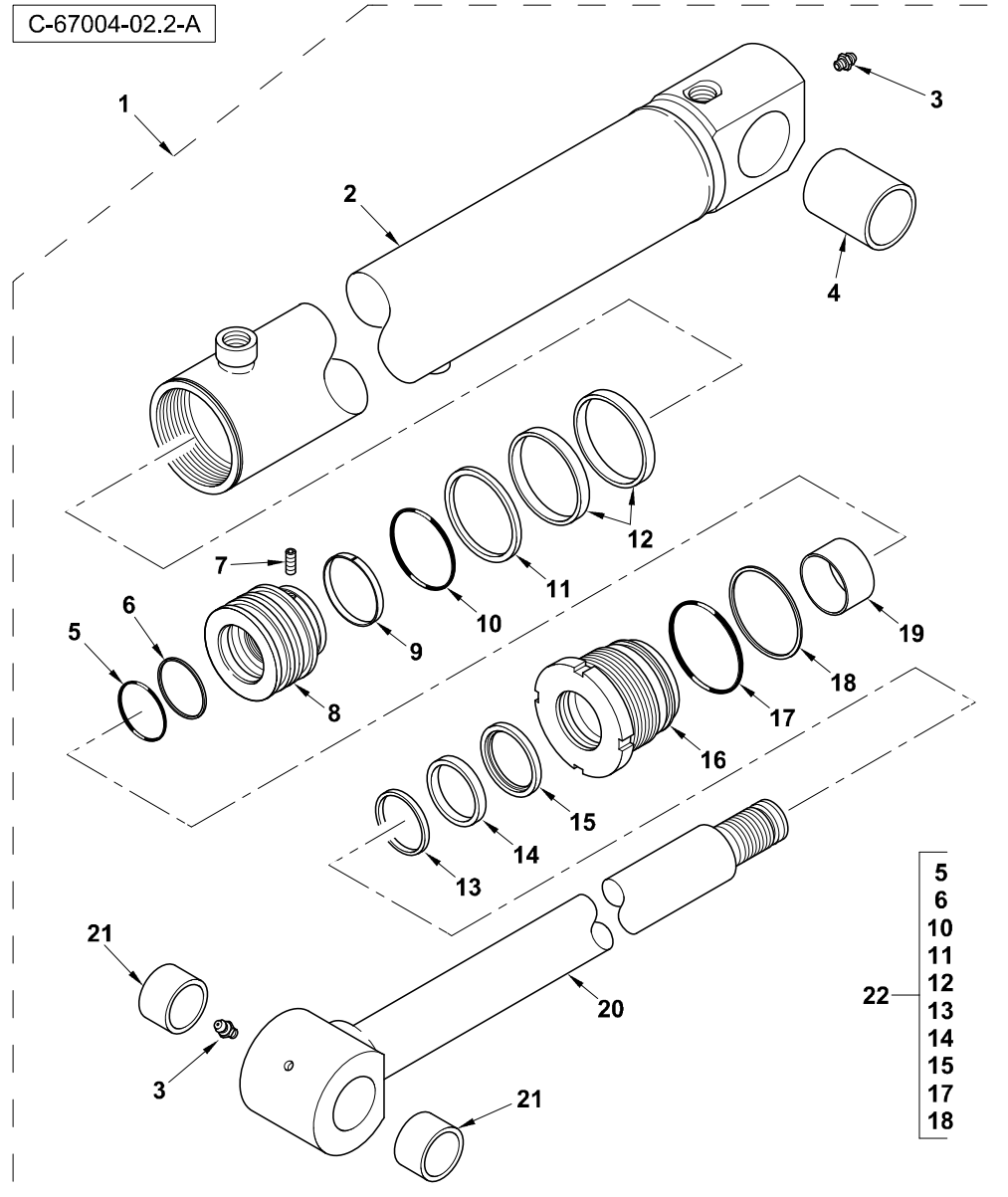


C-67004-02.1-B



Item	Part No.	Qty.	English	French	German	Spanish	Remarks
1	6109553M91	2	Cylinder - Lift High Spec	L'Hie Hydraulique	Zylinder Hydr.	Gato, Conj.	67004c01.1 1
2	#TUBE, CYLINDER	1	Tube, Cylinder	Tube, Cylinder	Tube, Cylinder	Tube, Cylinder	
3	#TUBE, CYLINDER	1	Tube, Cylinder	Tube, Cylinder	Tube, Cylinder	Tube, Cylinder	Ref. 2
4	3623322M1	1	Bush	Douille	Büchse	Anillo	
5	339608X1	1	Grease Nipple - M10 X 1 (Zinc)	Nipple De Graissage	Schmiernippel	Engrasador	
6	3485892M1	1	Guide Ring Piston	Bague D'Étanchéité	Dichtungsring	Anillo, Estanqueidad	
7	3485245M91	1	Seal Assy Piston	Joint Ass.	Dichtung Kplt	Junta, Conj.	
8	3485892M1	1	Guide Ring Piston	Bague D'Étanchéité	Dichtungsring	Anillo, Estanqueidad	
9	3402928M1	1	Screw, Socket Head - Piston Locating	Vis Tête Hex	Zylinderschraube	Tornillo	
10	3487180M1	1	Piston	Piston	Kolben	Pistón De Gato	
11	359183X1	1	O-Ring	Joint Torique	O-Ring	Junta De Tipo O	
12	359193X1	1	O-Ring	Joint Torique	O-Ring	Junta De Tipo O	
13	1606735M1	1	Ring Back-Up	Contre Bague	Stützring	ContraJunta	
14	3623641M1	1	O-Ring	Joint Torique	O-Ring	Junta De Tipo O	
15	3443550M1	1	Ring Rod Guide	Anneau	Ring	Aro	
16	5002159M1	1	Bearing	Roulement	Lager	Palier De Gato	
17	3403067M1	1	Seal	Joint D'Arbre	Wellendichtring	Anillo, Estanqueidad	
18	1606058M1	1	Wiper Ring	Joint De Racleur	Abstreifdichtung	Junta Raspador	
19	3441920M91	1	Piston Rod Assy	Tige De Vérin	Kolbenstange	Vástago Cilindro	
20	#ROD, PISTON	1	Rod, Piston	Rod, Piston	Rod, Piston	Rod, Piston	Ref. 19
21	3623323M1	2	Bush	Douille	Büchse	Anillo	
22	339608X1	1	Grease Nipple - M10 X 1 (Zinc)	Nipple De Graissage	Schmiernippel	Engrasador	
23	5001975M91	1	Kit Seal	Jeu Étanchéité	Dichtringsatz	Juego De Juntas	

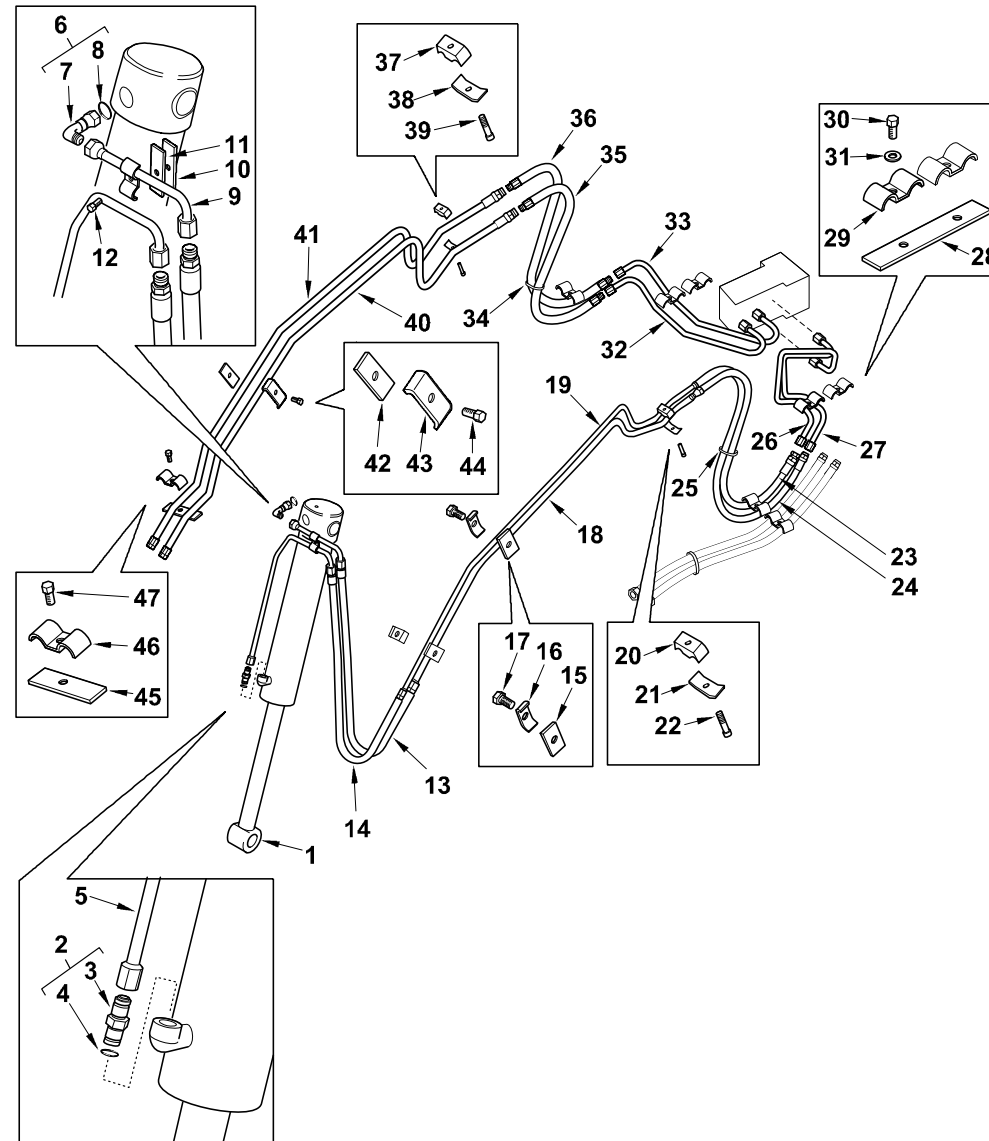




Item	Part No.	Qty.	English	French	German	Spanish	Remarks
1	6111077M91GY03	1	Cylinder Lift High Spec	Verin Hydraulique	Hydraulikzyl	Cilindro Hidrauli	
2	6195241M91GY03	1	Tube - S/A (Terex Grey)	Tube - S/A (Terex Grey)	Tube - S/A (Terex Grey)	Tube - S/A (Terex Grey)	
3	6194542M1	2	Nipple - Grease	Graisseur Coude	Nippel	Manguito, Engrasador	
4	6195244M1	1	Bush	Bush	Bush	Bush	
5	6195247M1	1	O - Ring	O - Ring	O - Ring	O - Ring	
6	6194570M1	1	Ring - Back Up	Contre Bague	Stutzring	ContraJunta	
7	6194619M1	1	Set Screw	Vis	Schraube	Tornillo De Ajuste	
8	6195242M1	1	Piston	Piston	Piston	Piston	
9	6195246M1	1	Ring - Snap	Ring - Snap	Ring - Snap	Ring - Snap	
10	6195186M1	1	O-Ring	O-Ring	O-Ring	O-Ring	
11	6194635M1	1	Seal - Piston	Joint Étanchéité	Dichtring	Junta	
12	6194634M1	2	Bearing - Piston	Coussinet	Lager	Teniendo - Pistón	
13	6194590M1	1	Wiper	Essuyeur	Wischer	Raspador, Escobilla	
14	6194589M1	1	Seal - Rod	Joint Étanchéité	Dichtring	Junta	
15	6194588M1	1	Seal - Rod (Primary)	Joint Étanchéité	Dichtring	Junta	
16	6195243M1	1	Cover - H.E.	Cover - H.E.	Cover - H.E.	Cover - H.E.	
17	6195189M1	1	O-Ring	O-Ring	O-Ring	O-Ring	
18	6194641M1	1	Ring - Back Up	Contre Bague	Stutzring	ContraJunta	
19	6194593M1	1	Bush - Bimetal	Douille	Büchse	Juego De Anillos	
20	6194537M91	1	Rod - Piston	Bielle De Piston	Pleuelstange	Rod - Pistón	
21	6195245M1	2	Bush	Bush	Bush	Bush	
22	6195248M91	1	Seal Kit	Seal Kit	Seal Kit	Seal Kit	



C-67004-03.1-B

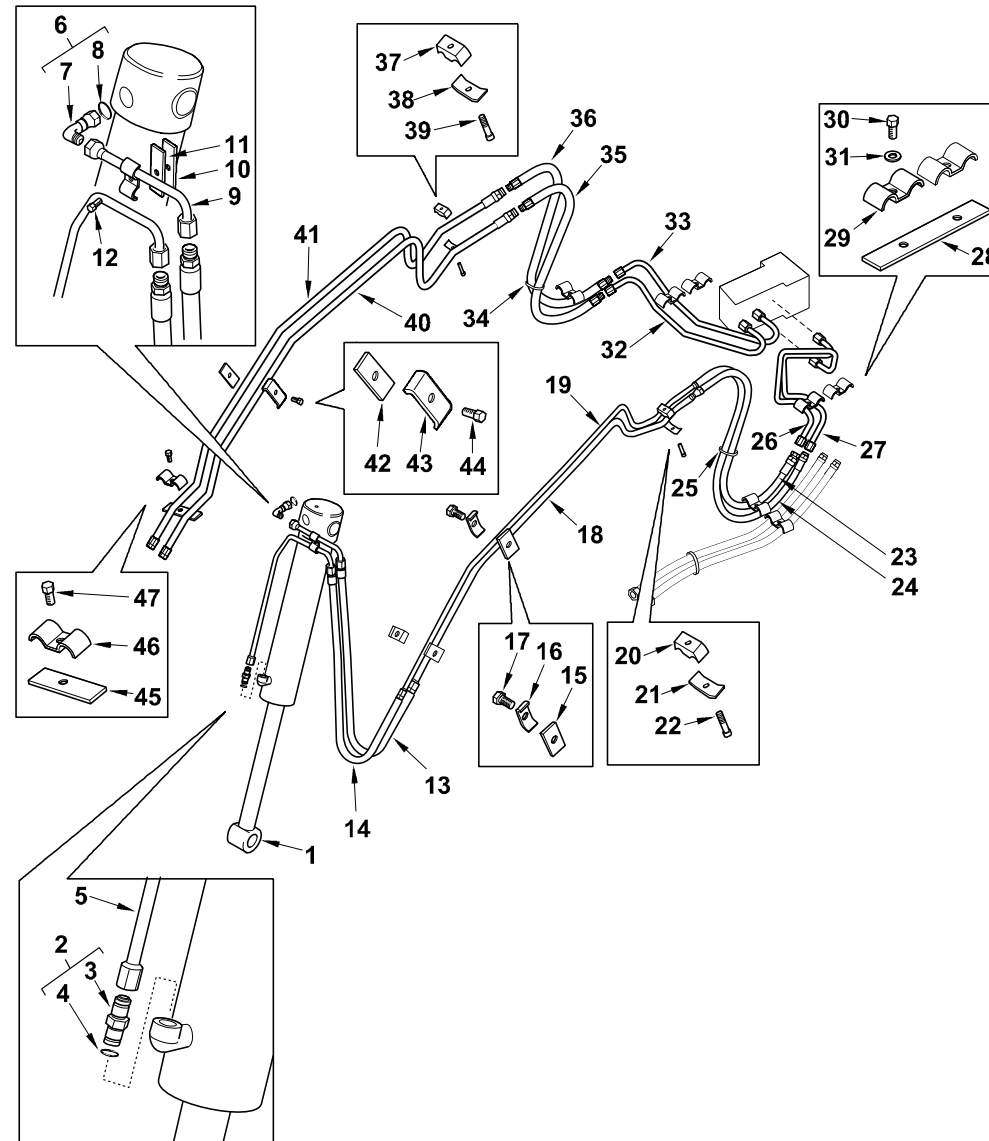




Item	Part No.	Qty.	English	French	German	Spanish	Remarks
1	6111076M91GY03	1	Cylinder Loader Bucket High Spec	Cylindre	Zylinder	Cilindro	Wipro
1	5000120M91	1	Cylinder Loader Bucket - Hi Spec	L´Hie Hydraulique	Zylinder Hydr.	Gato, Conj.	Pacoma
2	835013M91	1	Connector 7/8 Jic	Raccord	Schraubanschluss	Conexión, Conj.	
3	#UNION	1	Union	Union	Union	Union	Ref. 2
4	835024M1	1	Ring O - Boa	Joint Torique	O Ring	Junta De Tipo O	
5	6109514M91	1	Tube-Ldr Hyd Bucket Rod	Tuyauterie	Rohrleitung Kplt	Conjunto De Tubería	
6	835007M91	1	Elbow 90 Degree Adjust	Coude 90°	Kniestück 90°	Codo, 90°	
7	#ELBOW	1	Elbow	Elbow	Elbow	Elbow	Ref. 6
8	835024M1	1	Ring O - Boa	Joint Torique	O Ring	Junta De Tipo O	
9	6109536M91	1	Tube Assy - Bucket Head	Tuyauterie	Rohrleitung Kplt	Conjunto De Tubería	
10	6109526M91	1	Clamp Plate Assy	Ensemble De Plaque	Platte Kpl.	Placa, Conj.	
11	6106109M1	1	Pad-Neoprene	Tampon	Klotz	Placa, Caucho	
12	339761X1	1	Bolt M8-25 Z5f	Goupille	Bolzen M8 X 25	Tornillo	
13	6109530M91	1	Hose Assy - Bucket Cyl Head	Flexible Ass.	Schlauch Kplt	Flexible, Conj.	
14	6109529M91	1	Hose Assy - Bucket Cyl Rod	Flexible Ass.	Schlauch Kplt	Flexible, Conj.	
15	6106109M1	2	Pad-Neoprene	Tampon	Klotz	Placa, Caucho	
16	6101228M1	2	Clamp-Tube-Assy	Collier De Serrage	Klemme	Brida De Fijación	
17	339123X1	2	Bolt M8-20 Z5f	Boulon M8 X 20	Maschschraube M8	Perno	
18	6102461M91	1	Tube Assy	Tuyauterie	Rohrleitung Kplt	Conjunto De Tubería	
19	6102463M91	1	Tube Assy	Tuyauterie	Rohrleitung Kplt	Conjunto De Tubería	
20	3520528M2	1	Clamp Block Ldr Beam	Collier De Serrage	Klemme	Argolla De Cierre	
21	3520534M1	1	Clamp (Zinc Plated)	Collier De Serrage	Klemme	Brida De Fijación	
22	339291X1	1	Bolt M8-55 Z5s	Goupille	Bolzen M8 X 55	Tornillo	
23	6109793M91	1	Hose Assy - Bucket Cyl Rod	Flexible Ass.	Schlauch Kplt	Flexible, Conj.	
24	6109543M91	1	Hose Assy - Bkt Cylinder Head	Flexible Ass.	Schlauch Kplt	Flexible, Conj.	
25	1876229M1	1	Tie 270mm Lk2a	Attache Câble	Kabelbinder	Enlace De Cable	
26	6109420M91	1	Tube-Ldr Hyd Bucket Rod	Tuyauterie	Rohrleitung Kplt	Conjunto De Tubería	
27	6109422M91	1	Tube-Ldr Hyd Bucket HD	Tuyauterie	Rohrleitung Kplt	Conjunto De Tubería	
28	6101897M1	1	Pad-Rubber	Plaque De Caoutchouc	Gummiplatte	Placa, Caucho	
29	6101228M1	2	Clamp-Tube-Assy	Collier De Serrage	Klemme	Brida De Fijación	

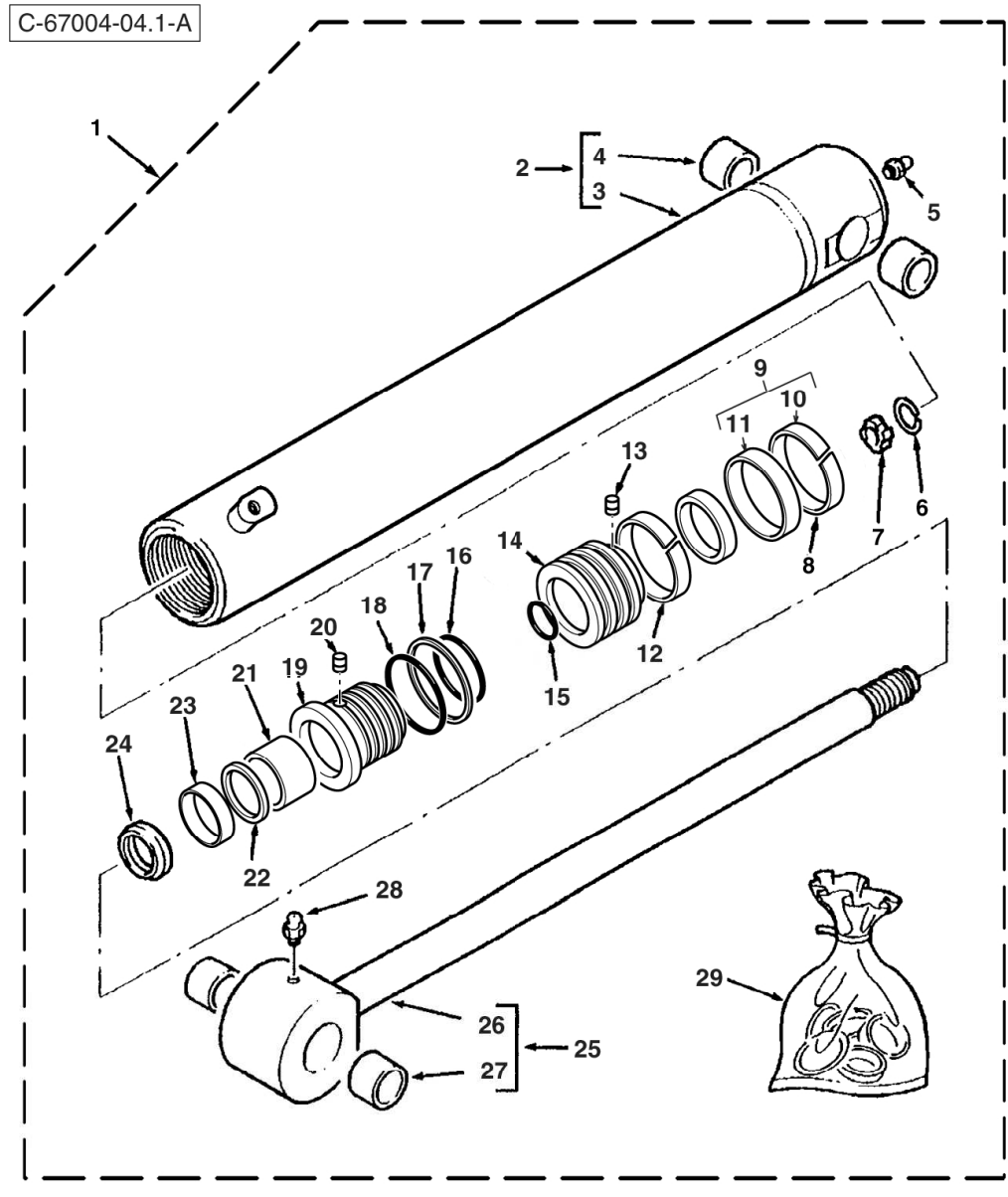


C-67004-03.1-B



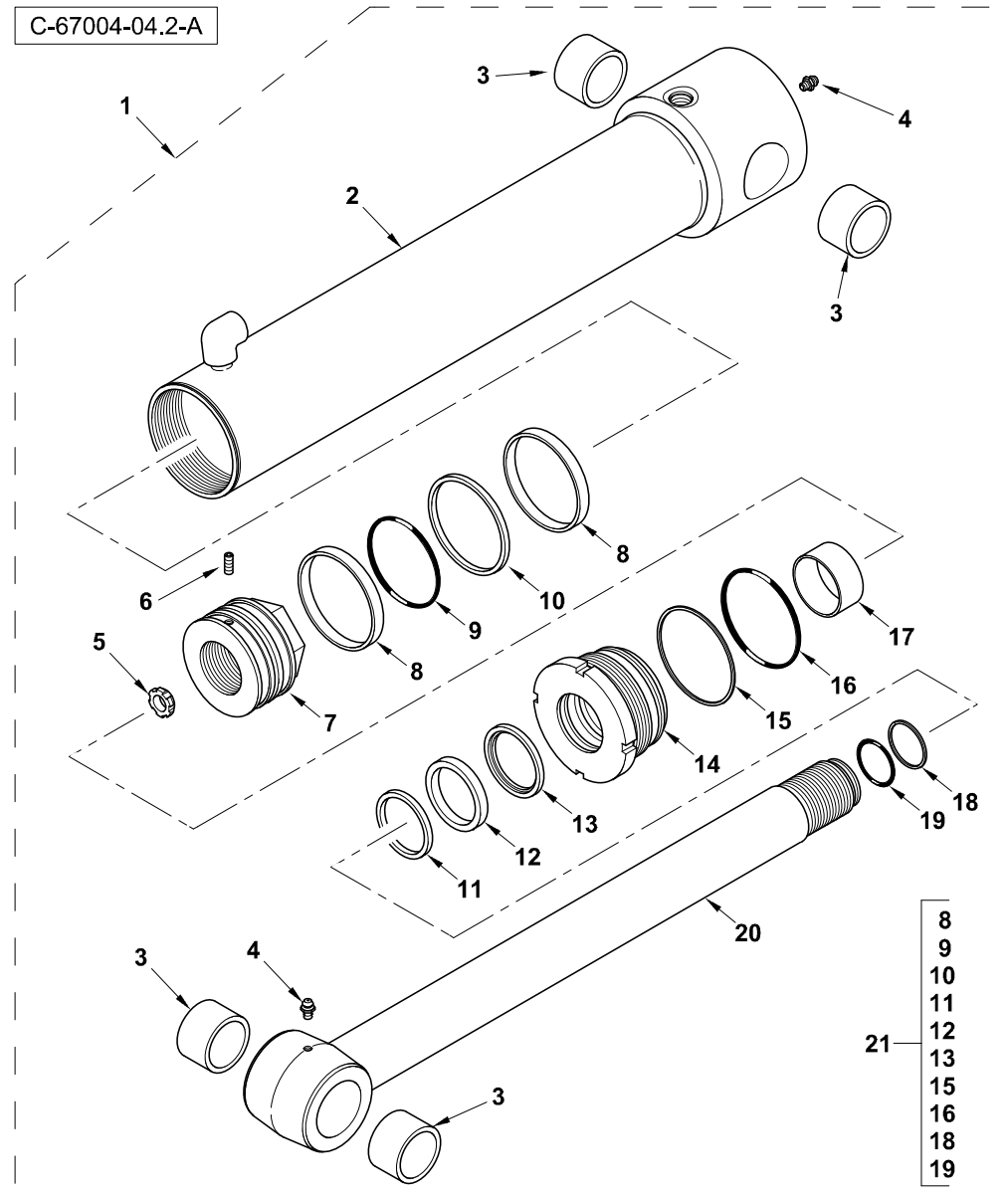
Item	Part No.	Qty.	English	French	German	Spanish	Remarks
30	339124X1	2	Bolt M8-16 Z5f	Goupille	Maschschrb Metr - M8	Tornillo	
31	390972X1	2	Washer M8-17-1 Zwl	Rondelle M8	Scheibe - M8	Arandela	
32	6109424M93	1	Tube Assembly - Loader Hyd 7 In 1 HD	Ensemble Tube	Rohr Kpl	Conjunto De Tubería	H200 7 2060
32	6111904M91	1	Tube Assembly 7 In 1 HD	Ensemble Tube	Rohr Kpl	Conjunto De Tubería	H200 7 2060
33	6109426M92	1	Tube Assy (7 In 1 Rod)	Tuyauterie	Rohr Kpl	Conjunto De Tubería	H200 7 2060
33	6111903M91	1	Tube Assembly 7 In 1 Rod	Ensemble Tube	Rohr Kpl	Conjunto De Tubería	H200 7 2060
34	1876229M1	1	Tie 270mm Lk2a	Attache Câble	Kabelbinder	Enlace De Cable	
35	6109804M91	1	Hose Assy - 7 In 1 Inner	Ensemble Durit	Schlauch Kpl	Flexible, Conj.	
36	6109920M91	1	Hose Assy - 7 In 1 Outer	Ensemble Durit	Schlauch Kpl	Flexible, Conj.	
37	3520538M2	1	Clamp Block Ldr Beam	Collier De Serrage	Klemme	Argolla De Cierre	
38	3520534M1	1	Clamp (Zinc Plated)	Collier De Serrage	Klemme	Brida De Fijación	
39	339291X1	1	Bolt M8-55 Z5s	Goupille	Bolzen M8 X 55	Tornillo	
40	6101236M91	1	Tube-Assy Bucket 7 In 1	Tuyauterie	Rohrleitung Kplt	Conjunto De Tubería	
41	6101234M91	1	Tube-Assy 7 In 1 Bucket	Tuyauterie	Rohrleitung Kplt	Conjunto De Tubería	
42	6106109M1	1	Pad-Neoprene	Tampon	Klotz	Placa, Caucho	
43	6101228M1	1	Clamp-Tube-Assy	Collier De Serrage	Klemme	Brida De Fijación	
44	339123X1	1	Bolt M8-20 Z5f	Boulon M8 X 20	Maschschraube M8	Perno	
45	6106109M1	1	Pad-Neoprene	Tampon	Klotz	Placa, Caucho	
46	6101228M1	1	Clamp-Tube-Assy	Collier De Serrage	Klemme	Brida De Fijación	
47	339009X1	1	Bolt - M8 X 35	Boulon M8 X 35	Maschschraube M8	Tornillo	





Item	Part No.	Qty.	English	French	German	Spanish	Remarks
1	5000120M91	1	Cylinder Loader Bucket - Hi Spec	L´Hie Hydraulique	Zylinder Hydr.	Gato, Conj.	67004c03.1 1
2	5003936M91	1	Barrel Cylinder	Ensemble De Vérin	Zylinder Kpl.	Gato, Conj.	
3	#TUBE, CYLINDER	1	Tube, Cylinder	Tube, Cylinder	Tube, Cylinder	Tube, Cylinder	Ref. 3
4	3623390M1	2	Bush	Douille	Buechse	Casquillo	
5	339608X1	1	Grease Nipple - M10 X 1 (Zinc)	Nipple De Graissage	Schmiernippel	Engrasador	
6	3186587M1	1	Snap Ring	Anneau D´Arrêt	Sprengring	Anillo De Resorte	
7	3186586M1	1	Ring Cushioning	Anneau	Ring	Aro	
8	3442376M1	1	Ring Piston Guide	Anneau	Ring	Aro	
9	3485249M91	1	Seal Piston	Joint	Dichtung	Junta	
10	#SEAL	1	Seal	Joint Étanchéité	Dichtring	Retén	Ref. 9
11	#SEAL	1	Seal	Joint Étanchéité	Dichtring	Retén	Ref. 9
12	3442376M1	1	Ring Piston Guide	Anneau	Ring	Aro	
13	3402928M1	1	Screw, Socket Head - Piston Locating	Vis Tête Hex	Zylinderschraube	Tornillo	
14	3485147M1	1	Piston	Piston	Kolben	Pistón	
15	359186X1	1	O-Ring	Joint Torique	O-Ring	Junta De Tipo O	
16	359201X1	1	O Ring	Joint Torique	O Ring	Junta De Tipo O	
17	1024334M1	1	Ring, Back-Up	Contre Bague	Stuetzring	Aro	
18	3487909M1	1	O-Ring	Joint Torique	O-Ring	Junta De Tipo O	
19	5003941M1	1	Bearing	Roulement	Lager	Cojinete	
20	3443386M1	1	Retaining Plug	Bouchon	Stopfen	Tapón	
21	3484615M1	1	Guide Ring	Anneau	Ring	Aro	
22	3484055M1	1	Ring Buffer	Anneau	Ring	Aro	
23	3485185M1	1	Seal	Joint D´Arbre	Wellendichtring	Junta	
24	3487015M1	1	Wiper Ring	Anneau	Ring	Aro	
25	3441631M91	1	Piston Rod Assy	Tige De Vérin	Kolbenstange	Vástago Cilindro	
26	#ROD, PISTON	1	Rod, Piston	Rod, Piston	Rod, Piston	Rod, Piston	Ref. 23
27	3623390M1	2	Bush	Douille	Buechse	Casquillo	
28	339608X1	1	Grease Nipple - M10 X 1 (Zinc)	Nipple De Graissage	Schmiernippel	Engrasador	
29	3623397M91	1	Kit Seal	Jeu Étanchéité	Dichtringsatz	Juego De Piezas	

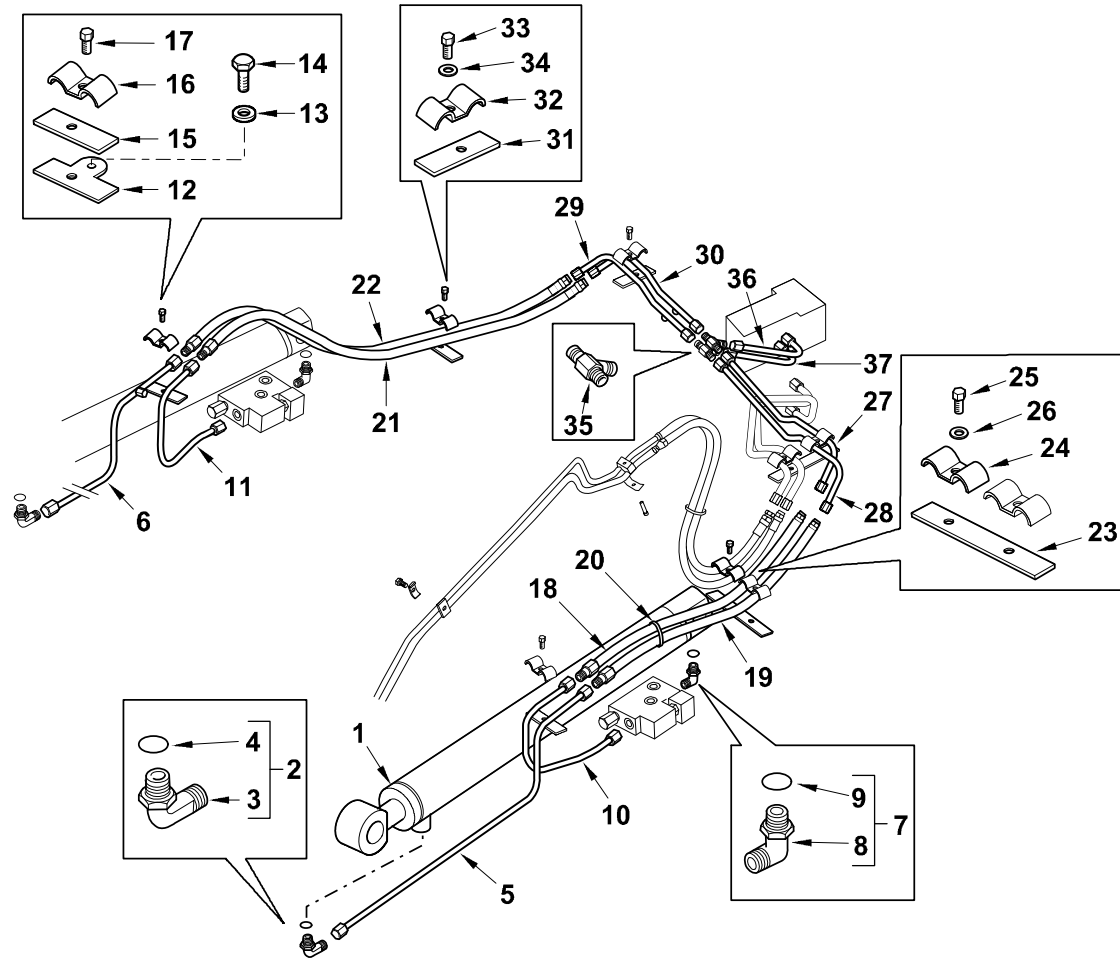




Item	Part No.	Qty.	English	French	German	Spanish	Remarks
1	6111076M91GY03	1	Cylinder Loader Bucket High Spec	Cylindre	Zylinder	Cilindro	
2	6195231M91GY03	1	Tube - S/A (Terex Grey)	Tube - S/A (Terex Grey)	Tube - S/A (Terex Grey)	Tube - S/A (Terex Grey)	
3	6195234M1	4	Bush	Bush	Bush	Bush	
4	6194542M1	2	Nipple - Grease	Graisseur Coude	Nippel	Manguito, Engrasador	
5	6195235M1	1	Ring - Cushion	Ring - Cushion	Ring - Cushion	Ring - Cushion	
6	6195236M1	1	Set Screw - Hex Socket	Set Screw - Hex Socket	Set Screw - Hex Socket	Set Screw - Hex Socket	
7	6195232M1	1	Piston	Piston	Piston	Piston	
8	6194568M1	2	Bearing - Piston	Coussinet	Lager	Teniendo - Pistón	
9	6194567M1	1	O Ring (Std)	Joint Torique	O Ring	Junta De Tipo O	
10	6194566M1	1	Seal - Piston	Joint Étanchéité	Dichtring	Junta	
11	6194554M1	1	Wiper	Essuyeur	Wischer	Raspador, Escobilla	
12	6194551M1	1	Seal- Rod (Secondary)	Joint Étanchéité	Dichtring	Junta	
13	6194638M1	1	Seal - Rod (Primary)	Joint Étanchéité	Dichtring	Junta	
14	6195233M1	1	Cover - H.E.	Cover - H.E.	Cover - H.E.	Cover - H.E.	
15	6195238M1	1	Ring - Back Up	Ring - Back Up	Ring - Back Up	Ring - Back Up	
16	6195237M1	1	O - Ring	O - Ring	O - Ring	O - Ring	
17	6194541M1	1	Bush - Bimetal	Douille	Büchse	Juego De Anillos	
18	6194549M1	1	Ring - Back Up	Contre Bague	Stutzring	ContraJunta	
19	6195193M1	1	O-Ring	O-Ring	O-Ring	O-Ring	
20	6194537M91	1	Rod - Piston	Bielle De Piston	Pleuelstange	Rod - Pistón	
21	6195239M91	1	Seal Kit	Jeu Étancheite	Dichtringsatz	Juego Retenes	



C-67006-01.1-C

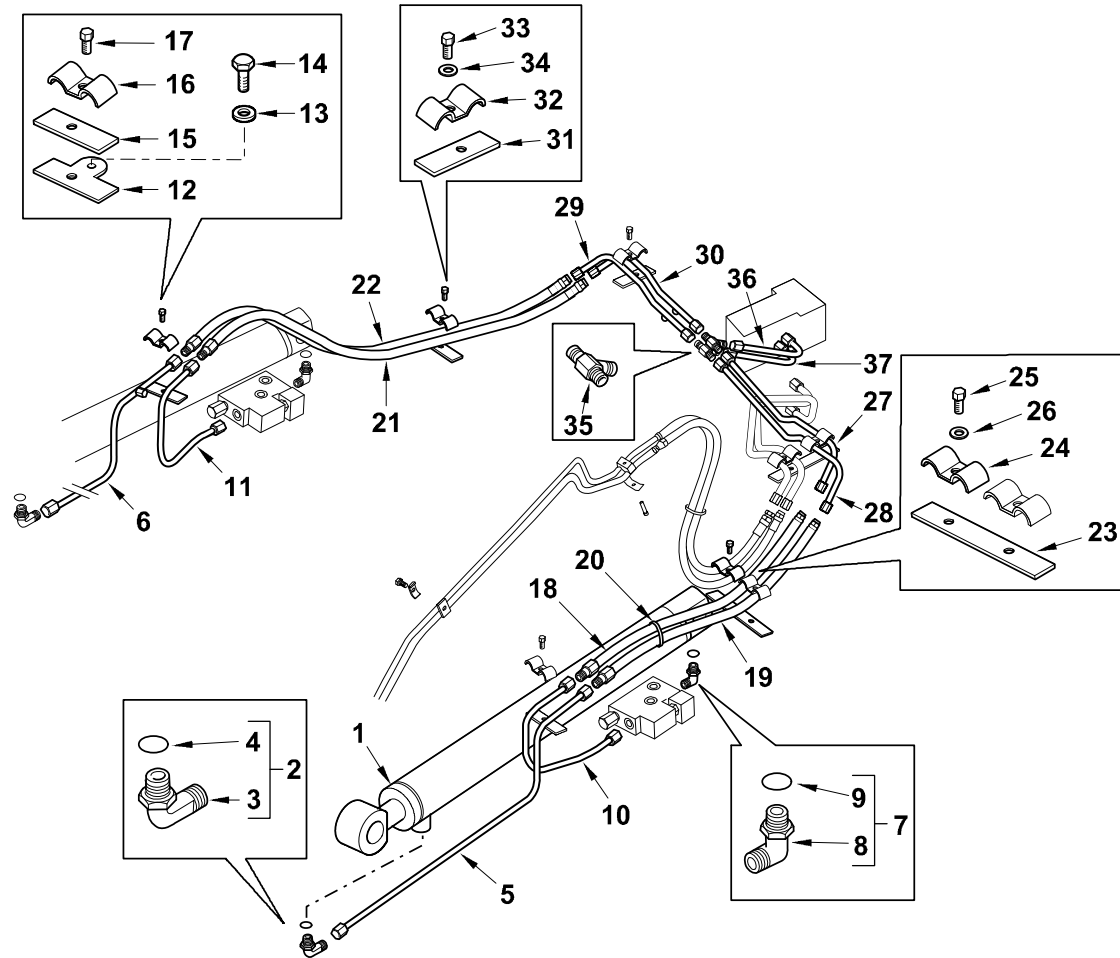




Item	Part No.	Qty.	English	French	German	Spanish	Remarks
1	6109553M91	2	Cylinder - Lift High Spec	L'Hie Hydraulique	Zylinder Hydr.	Gato, Conj.	Pacoma
1	6111077M91GY03	2	Cylinder Lift High Spec	Verin Hydraulique	Hydraulikzyl	Cilindro Hidrauli	Wipro
2	835007M91	2	Elbow 90 Degree Adjust	Coude 90°	Kniestück 90°	Codo, 90°	
3	#ELBOW	1	Elbow	Elbow	Elbow	Elbow	Ref. 2
4	835024M1	1	Ring O - Boa	Joint Torique	O Ring	Junta De Tipo O	
5	6109544M91	1	Tube-Ldr Hyd	Tuyauterie	Rohrleitung Kplt	Conjunto De Tubería	Pacoma
5	6111167M91	1	Tube Assembly - Loader	Tuyauterie	Rohrleitung Kplt	Conjunto De Tubería	Wipro
6	6109548M91	1	Tube-Ldr Hyd	Tuyauterie	Rohrleitung Kplt	Conjunto De Tubería	Pacoma
6	6111169M91	1	Tube Assembly - Loader	Tuyauterie	Rohrleitung Kplt	Conjunto De Tubería	Wipro
7	835007M91	2	Elbow 90 Degree Adjust	Coude 90°	Kniestück 90°	Codo, 90°	
8	#ELBOW	1	Elbow	Elbow	Elbow	Elbow	Ref. 7
9	835024M1	1	Ring O - Boa	Joint Torique	O Ring	Junta De Tipo O	
10	6111171M91	1	Tube Assembly - Loader Hose Burst	Tuyauterie	Rohrleitung Kplt	Conjunto De Tubería	Wipro
10	6109936M91	1	Tube Assy - Loader Hose Burst	Tuyauterie	Rohrleitung Kplt	Conjunto De Tubería	Pacoma
11	6111172M91	1	Tube Assembly - Loader Hose Burst	Tuyauterie	Rohrleitung Kplt	Conjunto De Tubería	Wipro
11	6109938M91	1	Tube Assy - Loader Hose Burst	Tuyauterie	Rohrleitung Kplt	Conjunto De Tubería	Pacoma
12	6109791M91	2	Clamp Plate Assy	Ensemble De Plaque	Platte Kpl.	Placa, Conj.	
13	339374X1	2	Washer M8 -21-2 Z	Rondelle Frein - M8	Federring - M8	Arandela De Freno	
14	339123X1	2	Bolt M8-20 Z5f	Boulon M8 X 20	Maschschraube M8	Perno	
15	6106109M1	2	Pad-Neoprene	Tampon	Klotz	Placa, Caucho	
16	6101228M1	2	Clamp-Tube-Assy	Collier De Serrage	Klemme	Brida De Fijación	
17	339123X1	2	Bolt M8-20 Z5f	Boulon M8 X 20	Maschschraube M8	Perno	
18	6109919M91	1	Hose Assy - Lift Cylinder Head	Flexible Ass.	Schlauch Kplt	Flexible, Conj.	
19	6109372M91	1	Hose Assy - Lift Cylinder Rod	Flexible Ass.	Schlauch Kplt	Flexible, Conj.	
20	1876229M1	2	Tie 270mm Lk2a	Attache Câble	Kabelbinder	Enlace De Cable	
21	6109919M91	1	Hose Assy - Lift Cylinder Head	Flexible Ass.	Schlauch Kplt	Flexible, Conj.	
22	6109372M91	1	Hose Assy - Lift Cylinder Rod	Flexible Ass.	Schlauch Kplt	Flexible, Conj.	
23	6101897M1	1	Pad-Rubber	Plaque De Caoutchouc	Gummiplatte	Placa, Caucho	
24	6101228M1	2	Clamp-Tube-Assy	Collier De Serrage	Klemme	Brida De Fijación	
25	339124X1	2	Bolt M8-16 Z5f	Goupille	Maschschrb Metr - M8	Tornillo	



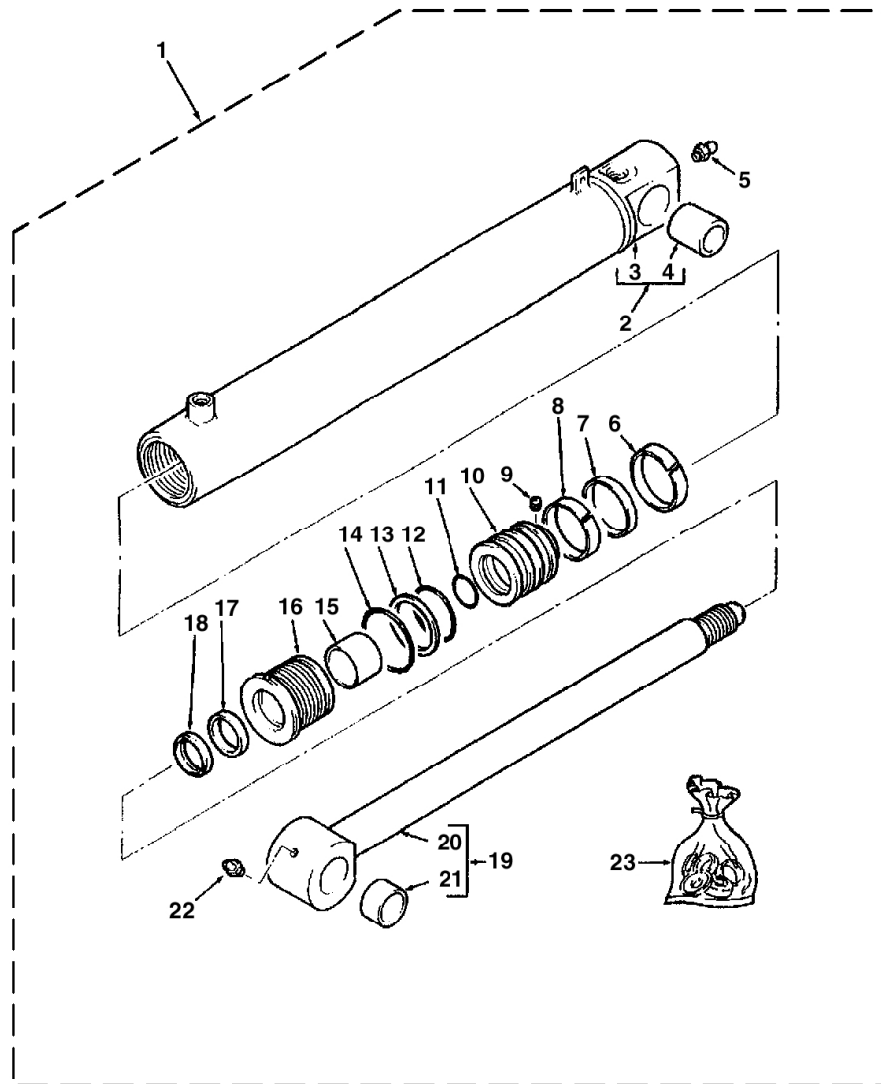
C-67006-01.1-C



Item	Part No.	Qty.	English	French	German	Spanish	Remarks
26	390972X1	2	Washer M8-17-1 Zwl	Rondelle M8	Scheibe - M8	Arandela	
27	6109412M91	1	Tube-Ldr Hyd HD RH	Tuyauterie	Rohrleitung Kplt	Conjunto De Tubería	
28	6109414M91	1	Tube-Ldr Hyd Rod LH	Tuyauterie	Rohrleitung Kplt	Conjunto De Tubería	
29	6109416M91	1	Tube-Ldr Hyd HD RH	Tuyauterie	Rohrleitung Kplt	Conjunto De Tubería	
30	6109418M91	1	Tube-Ldr Hyd Rod LH	Tuyauterie	Rohrleitung Kplt	Conjunto De Tubería	
31	6106109M1	2	Pad-Neoprene	Tampon	Klotz	Placa, Caucho	
32	6101228M1	2	Clamp-Tube-Assy	Collier De Serrage	Klemme	Brida De Fijación	
33	339124X1	2	Bolt M8-16 Z5f	Goupille	Maschschrb Metr - M8	Tornillo	
34	390972X1	2	Washer M8-17-1 Zwl	Rondelle M8	Scheibe - M8	Arandela	
35	356561X1	2	Tee-Union	Te	T-Stück	Te	
36	6109428M91	1	Tube-Ldr Hyd Rod	Tuyauterie	Rohrleitung Kplt	Conjunto De Tubería	
37	6109430M91	1	Tube-Ldr Hyd HD	Tuyauterie	Rohrleitung Kplt	Conjunto De Tubería	

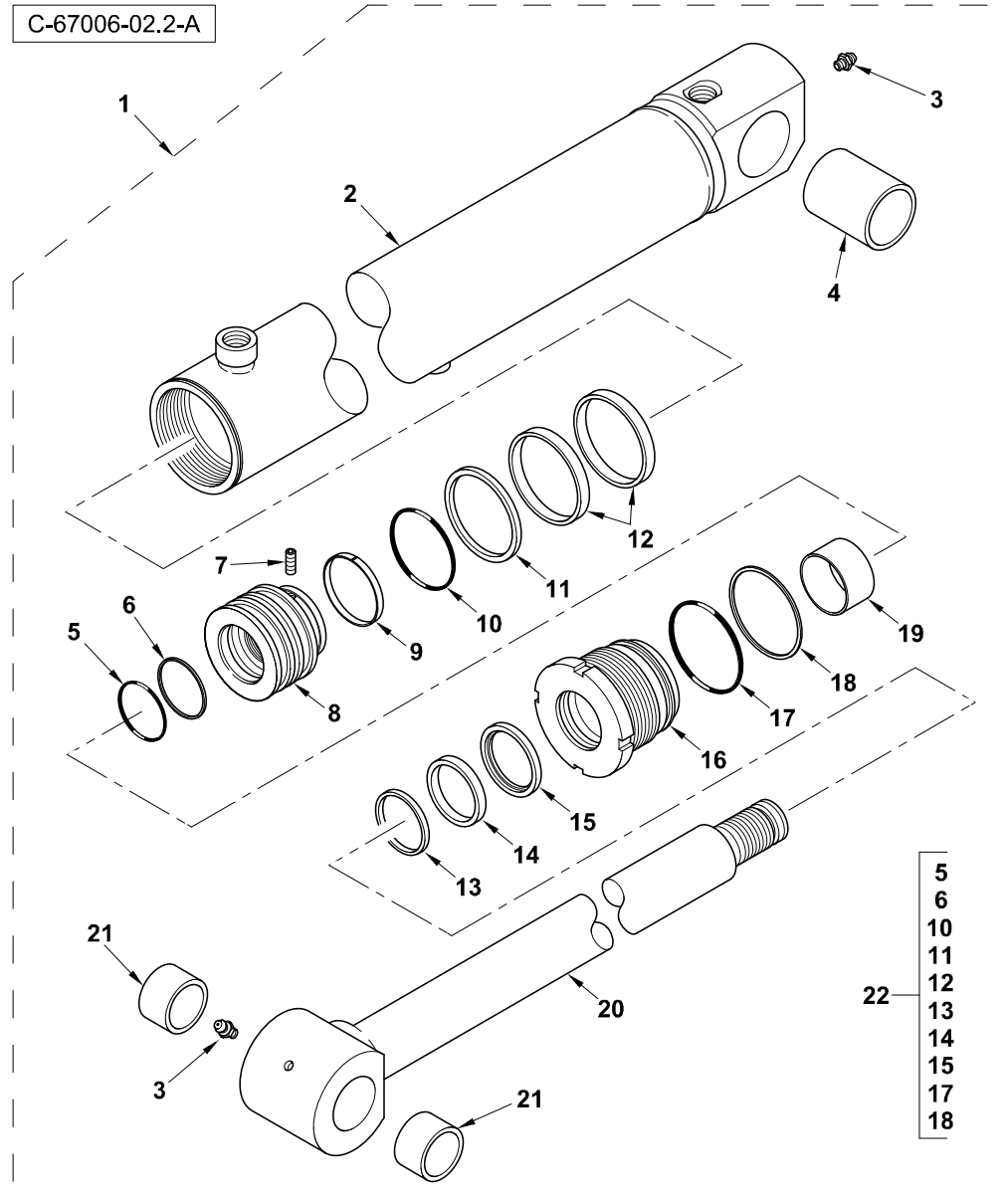


C-67006-02.1-B



Item	Part No.	Qty.	English	French	German	Spanish	Remarks
1	6109553M91	2	Cylinder - Lift High Spec	L'Hie Hydraulique	Zylinder Hydr.	Gato, Conj.	67006c01.1 1
2	#TUBE, CYLINDER	1	Tube, Cylinder	Tube, Cylinder	Tube, Cylinder	Tube, Cylinder	
3	#TUBE, CYLINDER	1	Tube, Cylinder	Tube, Cylinder	Tube, Cylinder	Tube, Cylinder	Ref. 2
4	3623322M1	1	Bush	Douille	Büchse	Anillo	
5	339608X1	1	Grease Nipple - M10 X 1 (Zinc)	Nipple De Graissage	Schmiernippel	Engrasador	
6	3485892M1	1	Guide Ring Piston	Bague D'Étanchéité	Dichtungsring	Anillo, Estanqueidad	
7	3485245M91	1	Seal Assy Piston	Joint Ass.	Dichtung Kplt	Junta, Conj.	
8	3485892M1	1	Guide Ring Piston	Bague D'Étanchéité	Dichtungsring	Anillo, Estanqueidad	
9	3402928M1	1	Screw, Socket Head - Piston Locating	Vis Tête Hex	Zylinderschraube	Tornillo	
10	3487180M1	1	Piston	Piston	Kolben	Pistón De Gato	
11	359183X1	1	O-Ring	Joint Torique	O-Ring	Junta De Tipo O	
12	359193X1	1	O-Ring	Joint Torique	O-Ring	Junta De Tipo O	
13	1606735M1	1	Ring Back-Up	Contre Bague	Stützring	ContraJunta	
14	3623641M1	1	O-Ring	Joint Torique	O-Ring	Junta De Tipo O	
15	3443550M1	1	Ring Rod Guide	Anneau	Ring	Aro	
16	5002159M1	1	Bearing	Roulement	Lager	Palier De Gato	
17	3403067M1	1	Seal	Joint D'Arbre	Wellendichtring	Anillo, Estanqueidad	
18	1606058M1	1	Wiper Ring	Joint De Racleur	Abstreifdichtung	Junta Raspador	
19	3441920M91	1	Piston Rod Assy	Tige De Vérin	Kolbenstange	Vástago Cilindro	
20	#ROD, PISTON	1	Rod, Piston	Rod, Piston	Rod, Piston	Rod, Piston	Ref. 19
21	3623323M1	2	Bush	Douille	Büchse	Anillo	
22	339608X1	1	Grease Nipple - M10 X 1 (Zinc)	Nipple De Graissage	Schmiernippel	Engrasador	
23	5001975M91	1	Kit Seal	Jeu Étanchéité	Dichtringsatz	Juego De Juntas	

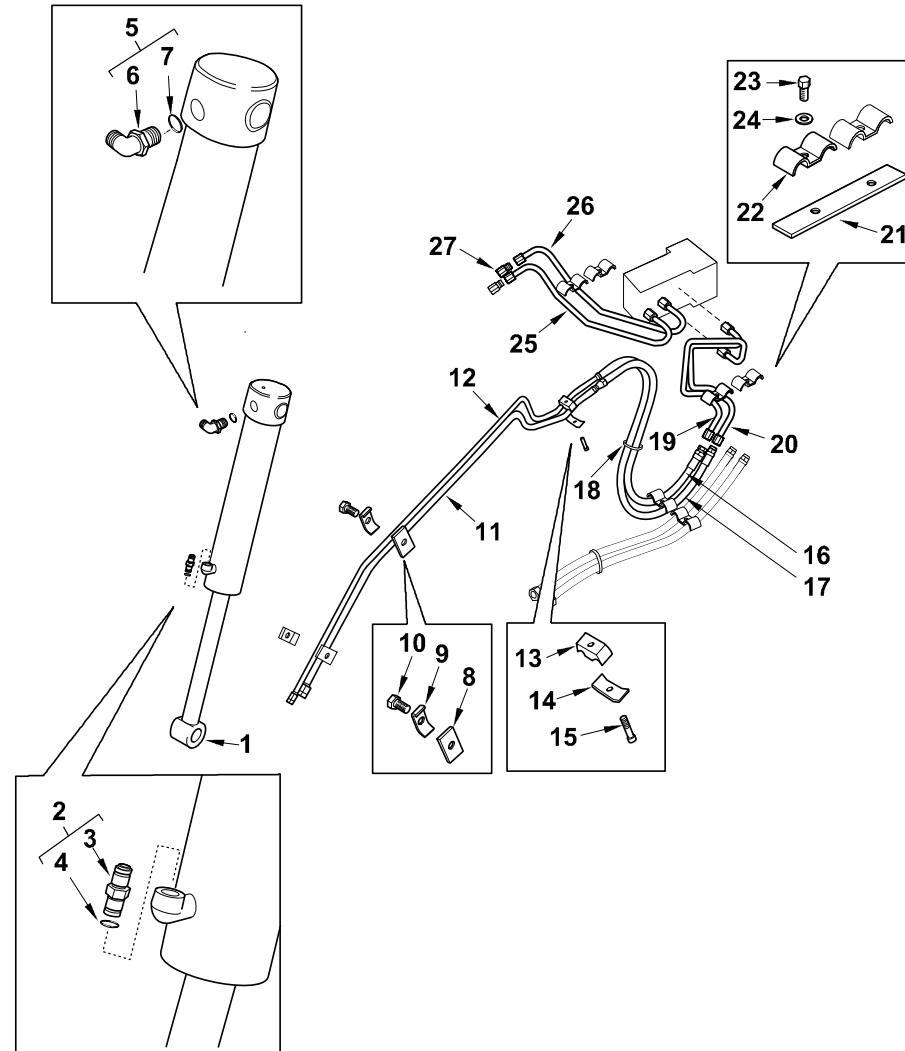




Item	Part No.	Qty.	English	French	German	Spanish	Remarks
1	6111077M91GY03	1	Cylinder Lift High Spec	Verin Hydraulique	Hydraulikzyl	Cilindro Hidrauli	
2	6195241M91GY03	1	Tube - S/A (Terex Grey)	Tube - S/A (Terex Grey)	Tube - S/A (Terex Grey)	Tube - S/A (Terex Grey)	
3	6194542M1	2	Nipple - Grease	Graisseur Coude	Nippel	Manguito, Engrasador	
4	6195244M1	1	Bush	Bush	Bush	Bush	
5	6195247M1	1	O - Ring	O - Ring	O - Ring	O - Ring	
6	6194570M1	1	Ring - Back Up	Contre Bague	Stutzring	ContraJunta	
7	6194619M1	1	Set Screw	Vis	Schraube	Tornillo De Ajuste	
8	6195242M1	1	Piston	Piston	Piston	Piston	
9	6195246M1	1	Ring - Snap	Ring - Snap	Ring - Snap	Ring - Snap	
10	6195186M1	1	O-Ring	O-Ring	O-Ring	O-Ring	
11	6194635M1	1	Seal - Piston	Joint Étanchéité	Dichtring	Junta	
12	6194634M1	2	Bearing - Piston	Coussinet	Lager	Teniendo - Pistón	
13	6194590M1	1	Wiper	Essuyeur	Wischer	Raspador, Escobilla	
14	6194589M1	1	Seal - Rod	Joint Étanchéité	Dichtring	Junta	
15	6194588M1	1	Seal - Rod (Primary)	Joint Étanchéité	Dichtring	Junta	
16	6195243M1	1	Cover - H.E.	Cover - H.E.	Cover - H.E.	Cover - H.E.	
17	6195189M1	1	O-Ring	O-Ring	O-Ring	O-Ring	
18	6194641M1	1	Ring - Back Up	Contre Bague	Stutzring	ContraJunta	
19	6194593M1	1	Bush - Bimetal	Douille	Büchse	Juego De Anillos	
20	6194537M91	1	Rod - Piston	Bielle De Piston	Pleuelstange	Rod - Pistón	
21	6195245M1	2	Bush	Bush	Bush	Bush	
22	6195248M91	1	Seal Kit	Seal Kit	Seal Kit	Seal Kit	

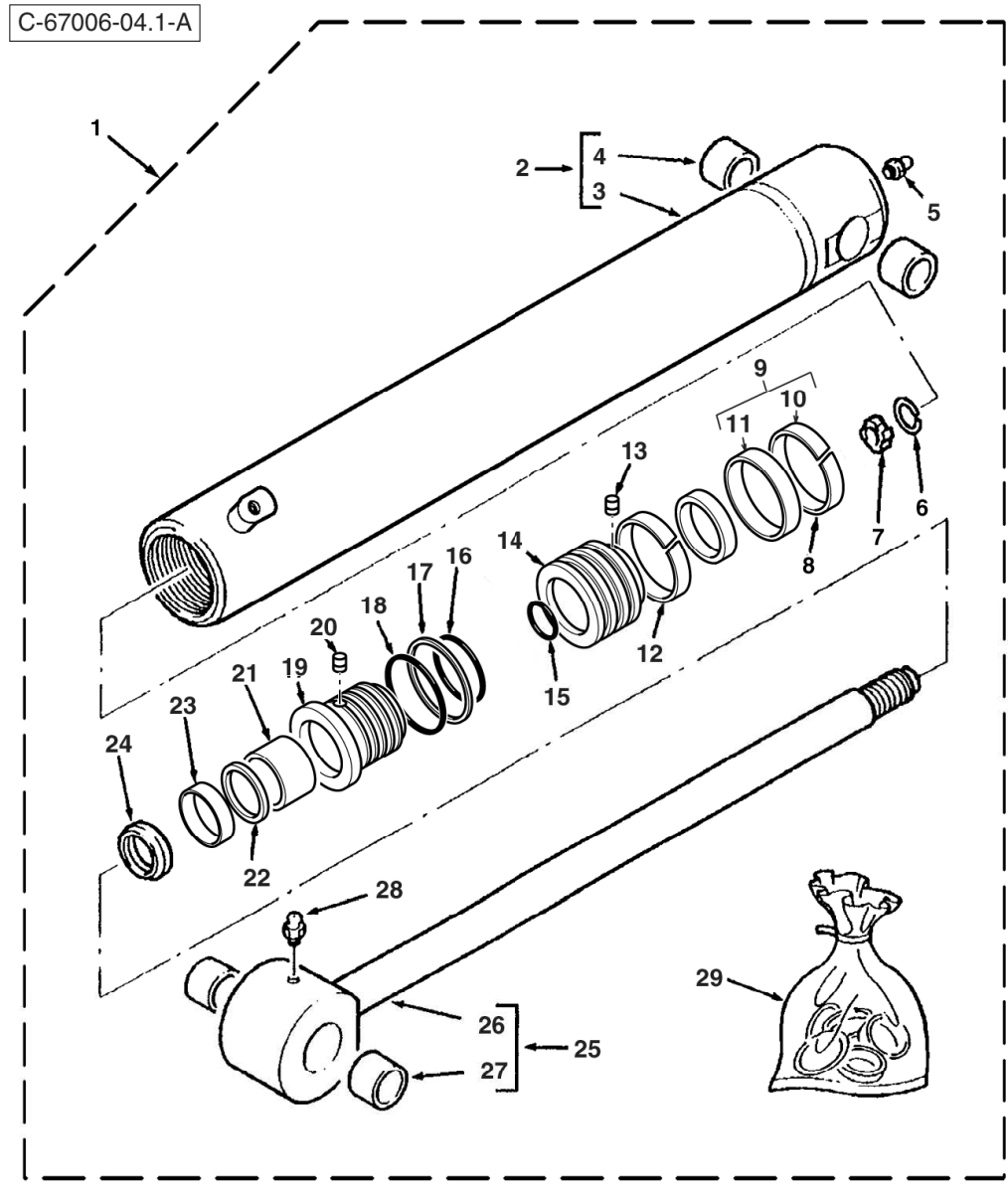


C-67006-03.1-C



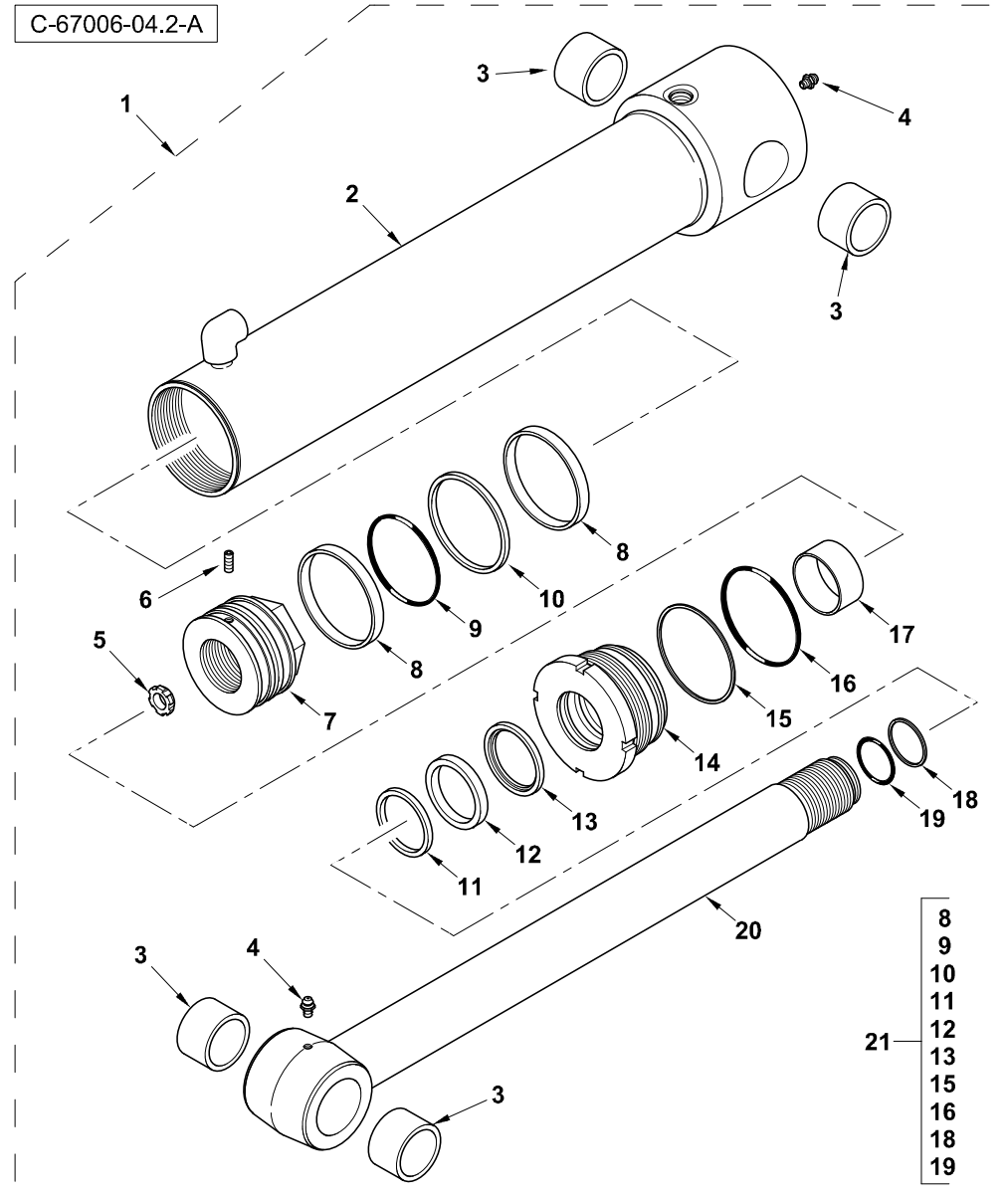


Item	Part No.	Qty.	English	French	German	Spanish	Remarks
1	6111076M91GY03	1	Cylinder Loader Bucket High Spec	Cylindre	Zylinder	Cilindro	Wipro
1	5000120M91	1	Cylinder Loader Bucket - Hi Spec	L' Hie Hydraulique	Zylinder Hydr.	Gato, Conj.	Pacoma
2	835013M91	1	Connector 7/8 Jic	Raccord	Schraubanschluss	Conexión, Conj.	
3	#UNION	1	Union	Union	Union	Union	Ref. 2
4	835024M1	1	Ring O - Boa	Joint Torique	O Ring	Junta De Tipo O	
5	835007M91	1	Elbow 90 Degree Adjust	Coude 90°	Kniestück 90°	Codo, 90°	
6	#ELBOW	1	Elbow	Elbow	Elbow	Elbow	Ref. 5
7	835024M1	1	Ring O - Boa	Joint Torique	O Ring	Junta De Tipo O	
8	6106109M1	2	Pad-Neoprene	Tampon	Klotz	Placa, Caucho	
9	6101228M1	2	Clamp-Tube-Assy	Collier De Serrage	Klemme	Brida De Fijación	
10	339123X1	2	Bolt M8-20 Z5f	Boulon M8 X 20	Maschschraube M8	Perno	
11	6102461M91	1	Tube Assy	Tuyauterie	Rohrleitung Kplt	Conjunto De Tubería	
12	6102463M91	1	Tube Assy	Tuyauterie	Rohrleitung Kplt	Conjunto De Tubería	
13	3520528M2	1	Clamp Block Ldr Beam	Collier De Serrage	Klemme	Argolla De Cierre	
14	3520534M1	1	Clamp (Zinc Plated)	Collier De Serrage	Klemme	Brida De Fijación	
15	339291X1	1	Bolt M8-55 Z5s	Goupille	Bolzen M8 X 55	Tornillo	
16	6109793M91	1	Hose Assy - Bucket Cyl Rod	Flexible Ass.	Schlauch Kplt	Flexible, Conj.	
17	6109543M91	1	Hose Assy - Bkt Cylinder Head	Flexible Ass.	Schlauch Kplt	Flexible, Conj.	
18	1876229M1	1	Tie 270mm Lk2a	Attache Câble	Kabelbinder	Enlace De Cable	
19	6109420M91	1	Tube-Ldr Hyd Bucket Rod	Tuyauterie	Rohrleitung Kplt	Conjunto De Tubería	
20	6109422M91	1	Tube-Ldr Hyd Bucket HD	Tuyauterie	Rohrleitung Kplt	Conjunto De Tubería	
21	6101897M1	2	Pad-Rubber	Plaque De Caoutchouc	Gummiplatte	Placa, Caucho	
22	6101228M1	3	Clamp-Tube-Assy	Collier De Serrage	Klemme	Brida De Fijación	
23	339124X1	3	Bolt M8-16 Z5f	Goupille	Maschschrb Metr - M8	Tornillo	
24	390972X1	3	Washer M8-17-1 Zwl	Rondelle M8	Scheibe - M8	Arandela	
25	6109424M93	1	Tube Assembly - Loader Hyd 7 In 1 HD	Ensemble Tube	Rohr Kpl	Conjunto De Tubería	H200 7 2060
25	6111904M91	1	Tube Assembly 7 In 1 HD	Ensemble Tube	Rohr Kpl	Conjunto De Tubería	H200 7 2060
26	6111903M91	1	Tube Assembly 7 In 1 Rod	Ensemble Tube	Rohr Kpl	Conjunto De Tubería	H200 7 2060
26	6109426M92	1	Tube Assy (7 In 1 Rod)	Tuyauterie	Rohr Kpl	Conjunto De Tubería	H200 7 2060
27	356447X1	2	Plug 37 Flare	Bouchon	Stopfen	Obturador	



Item	Part No.	Qty.	English	French	German	Spanish	Remarks
1	5000120M91	1	Cylinder Loader Bucket - Hi Spec	L´Hie Hydraulique	Zylinder Hydr.	Gato, Conj.	67006c03.1 1
2	5003936M91	1	Barrel Cylinder	Ensemble De Vérin	Zylinder Kpl.	Gato, Conj.	
3	#TUBE, CYLINDER	1	Tube, Cylinder	Tube, Cylinder	Tube, Cylinder	Tube, Cylinder	Ref. 3
4	3623390M1	2	Bush	Douille	Buechse	Casquillo	
5	339608X1	1	Grease Nipple - M10 X 1 (Zinc)	Nipple De Graissage	Schmiernippel	Engrasador	
6	3186587M1	1	Snap Ring	Anneau D´Arrêt	Sprengring	Anillo De Resorte	
7	3186586M1	1	Ring Cushioning	Anneau	Ring	Aro	
8	3442376M1	1	Ring Piston Guide	Anneau	Ring	Aro	
9	3485249M91	1	Seal Piston	Joint	Dichtung	Junta	
10	#SEAL	1	Seal	Joint Étanchéité	Dichtring	Retén	Ref. 9
11	#SEAL	1	Seal	Joint Étanchéité	Dichtring	Retén	Ref. 9
12	3442376M1	1	Ring Piston Guide	Anneau	Ring	Aro	
13	3402928M1	1	Screw, Socket Head - Piston Locating	Vis Tête Hex	Zylinderschraube	Tornillo	
14	3485147M1	1	Piston	Piston	Kolben	Pistón	
15	359186X1	1	O-Ring	Joint Torique	O-Ring	Junta De Tipo O	
16	359201X1	1	O Ring	Joint Torique	O Ring	Junta De Tipo O	
17	1024334M1	1	Ring, Back-Up	Contre Bague	Stuetzring	Aro	
18	3487909M1	1	O-Ring	Joint Torique	O-Ring	Junta De Tipo O	
19	5003941M1	1	Bearing	Roulement	Lager	Cojinete	
20	3443386M1	1	Retaining Plug	Bouchon	Stopfen	Tapón	
21	3484615M1	1	Guide Ring	Anneau	Ring	Aro	
22	3484055M1	1	Ring Buffer	Anneau	Ring	Aro	
23	3485185M1	1	Seal	Joint D´Arbre	Wellendichtring	Junta	
24	3487015M1	1	Wiper Ring	Anneau	Ring	Aro	
25	3441631M91	1	Piston Rod Assy	Tige De Vérin	Kolbenstange	Vástago Cilindro	
26	#ROD, PISTON	1	Rod, Piston	Rod, Piston	Rod, Piston	Rod, Piston	Ref. 23
27	3623390M1	2	Bush	Douille	Buechse	Casquillo	
28	339608X1	1	Grease Nipple - M10 X 1 (Zinc)	Nipple De Graissage	Schmiernippel	Engrasador	
29	3623397M91	1	Kit Seal	Jeu Étanchéité	Dichtringsatz	Juego De Piezas	

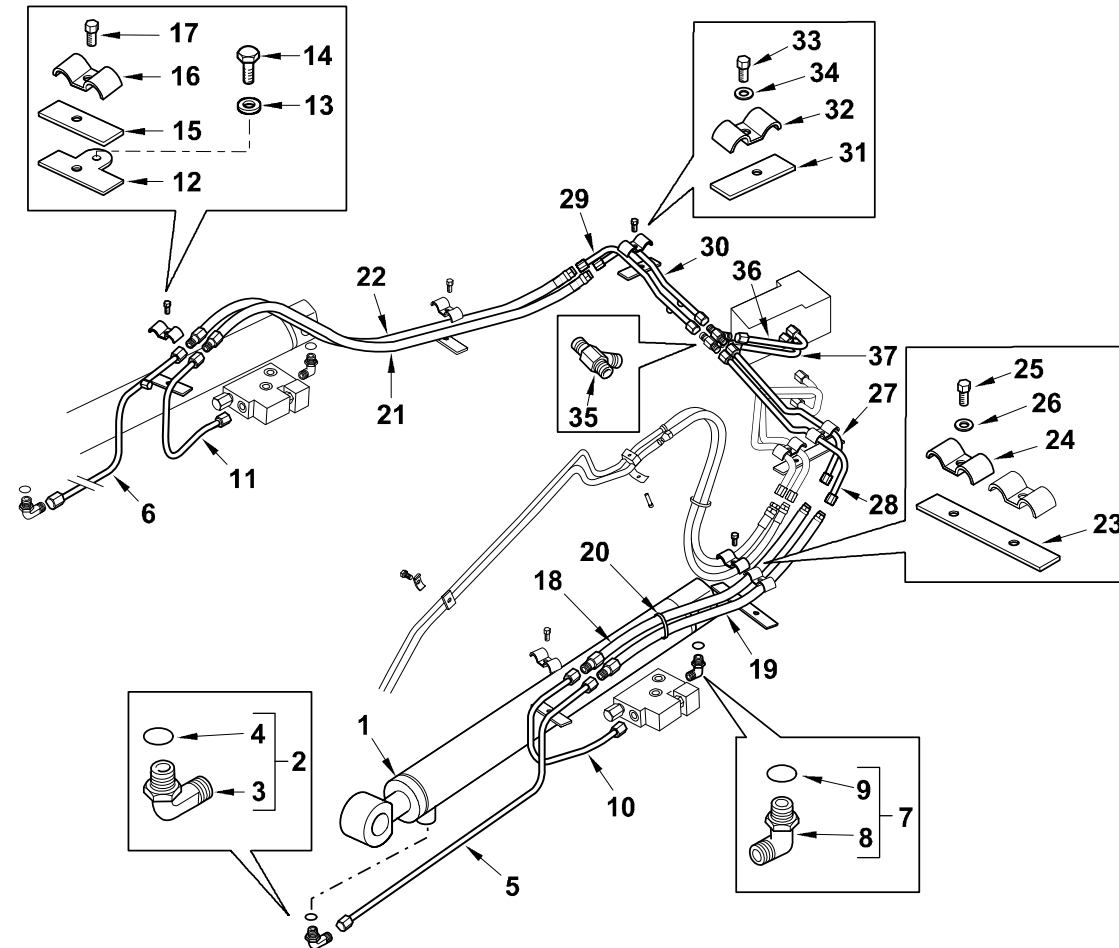




Item	Part No.	Qty.	English	French	German	Spanish	Remarks
1	6111076M91GY03	1	Cylinder Loader Bucket High Spec	Cylindre	Zylinder	Cilindro	
2	6195231M91GY03	1	Tube - S/A (Terex Grey)	Tube - S/A (Terex Grey)	Tube - S/A (Terex Grey)	Tube - S/A (Terex Grey)	
3	6195234M1	4	Bush	Bush	Bush	Bush	
4	6194542M1	2	Nipple - Grease	Graisseur Coude	Nippel	Manguito, Engrasador	
5	6195235M1	1	Ring - Cushion	Ring - Cushion	Ring - Cushion	Ring - Cushion	
6	6195236M1	1	Set Screw - Hex Socket	Set Screw - Hex Socket	Set Screw - Hex Socket	Set Screw - Hex Socket	
7	6195232M1	1	Piston	Piston	Piston	Piston	
8	6194568M1	2	Bearing - Piston	Coussinet	Lager	Teniendo - Pistón	
9	6194567M1	1	O Ring (Std)	Joint Torique	O Ring	Junta De Tipo O	
10	6194566M1	1	Seal - Piston	Joint Étanchéité	Dichtring	Junta	
11	6194554M1	1	Wiper	Essuyeur	Wischer	Raspador, Escobilla	
12	6194551M1	1	Seal- Rod (Secondary)	Joint Étanchéité	Dichtring	Junta	
13	6194638M1	1	Seal - Rod (Primary)	Joint Étanchéité	Dichtring	Junta	
14	6195233M1	1	Cover - H.E.	Cover - H.E.	Cover - H.E.	Cover - H.E.	
15	6195238M1	1	Ring - Back Up	Ring - Back Up	Ring - Back Up	Ring - Back Up	
16	6195237M1	1	O - Ring	O - Ring	O - Ring	O - Ring	
17	6194541M1	1	Bush - Bimetal	Douille	Büchse	Juego De Anillos	
18	6194549M1	1	Ring - Back Up	Contre Bague	Stutzring	ContraJunta	
19	6195193M1	1	O-Ring	O-Ring	O-Ring	O-Ring	
20	6194537M91	1	Rod - Piston	Bielle De Piston	Pleuelstange	Rod - Pistón	
21	6195239M91	1	Seal Kit	Jeu Etancheite	Dichtringsatz	Juego Retenes	



C-67008-01.1-C



Item	Part No.	Qty.	English	French	German	Spanish	Remarks
1	6109553M91	2	Cylinder - Lift High Spec	L'Hie Hydraulique	Zylinder Hydr.	Gato, Conj.	Pacoma
1	6111077M91GY03	2	Cylinder Lift High Spec	Verin Hydraulique	Hydraulikzyl	Cilindro Hidrauli	Wipro
2	835007M91	2	Elbow 90 Degree Adjust	Coude 90°	Kniestück 90°	Codo, 90°	
3	#ELBOW	1	Elbow	Elbow	Elbow	Elbow	Ref. 2
4	835024M1	1	Ring O - Boa	Joint Torique	O Ring	Junta De Tipo O	
5	6111167M91	1	Tube Assembly - Loader	Tuyauterie	Rohrleitung Kplt	Conjunto De Tubería	Wipro
5	6109544M91	1	Tube-Ldr Hyd	Tuyauterie	Rohrleitung Kplt	Conjunto De Tubería	Pacoma
6	6111169M91	1	Tube Assembly - Loader	Tuyauterie	Rohrleitung Kplt	Conjunto De Tubería	Wipro
6	6109548M91	1	Tube-Ldr Hyd	Tuyauterie	Rohrleitung Kplt	Conjunto De Tubería	Pacoma
7	835007M91	2	Elbow 90 Degree Adjust	Coude 90°	Kniestück 90°	Codo, 90°	
8	#ELBOW	1	Elbow	Elbow	Elbow	Elbow	Ref. 7
9	835024M1	1	Ring O - Boa	Joint Torique	O Ring	Junta De Tipo O	
10	6109936M91	1	Tube Assy - Loader Hose Burst	Tuyauterie	Rohrleitung Kplt	Conjunto De Tubería	Pacoma
10	6111171M91	1	Tube Assembly - Loader Hose Burst	Tuyauterie	Rohrleitung Kplt	Conjunto De Tubería	Wipro
11	6111172M91	1	Tube Assembly - Loader Hose Burst	Tuyauterie	Rohrleitung Kplt	Conjunto De Tubería	Wipro
11	6109938M91	1	Tube Assy - Loader Hose Burst	Tuyauterie	Rohrleitung Kplt	Conjunto De Tubería	Pacoma
12	6109791M91	2	Clamp Plate Assy	Ensemble De Plaque	Platte Kpl.	Placa, Conj.	
13	339374X1	2	Washer M8 -21-2 Z	Rondelle Frein - M8	Federring - M8	Arandela De Freno	
14	339123X1	2	Bolt M8-20 Z5f	Boulon M8 X 20	Maschschraube M8	Perno	
15	6106109M1	2	Pad-Neoprene	Tampon	Klotz	Placa, Caucho	
16	6101228M1	2	Clamp-Tube-Assy	Collier De Serrage	Klemme	Brida De Fijación	
17	339123X1	2	Bolt M8-20 Z5f	Boulon M8 X 20	Maschschraube M8	Perno	
18	6109919M91	1	Hose Assy - Lift Cylinder Head	Flexible Ass.	Schlauch Kplt	Flexible, Conj.	
19	6109372M91	1	Hose Assy - Lift Cylinder Rod	Flexible Ass.	Schlauch Kplt	Flexible, Conj.	
20	1876229M1	2	Tie 270mm Lk2a	Attache Câble	Kabelbinder	Enlace De Cable	
21	6109919M91	1	Hose Assy - Lift Cylinder Head	Flexible Ass.	Schlauch Kplt	Flexible, Conj.	
22	6109372M91	1	Hose Assy - Lift Cylinder Rod	Flexible Ass.	Schlauch Kplt	Flexible, Conj.	
23	6101897M1	1	Pad-Rubber	Plaque De Caoutchouc	Gummiplatte	Placa, Caucho	
24	6101228M1	2	Clamp-Tube-Assy	Collier De Serrage	Klemme	Brida De Fijación	
25	339124X1	2	Bolt M8-16 Z5f	Goupille	Maschschrb Metr - M8	Tornillo	



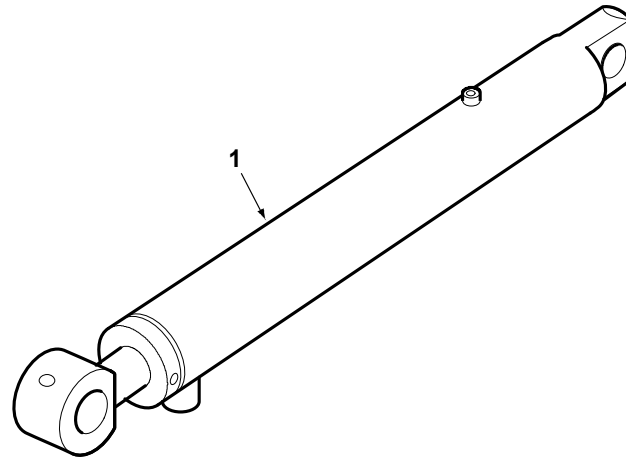




Item	Part No.	Qty.	English	French	German	Spanish	Remarks
26	390972X1	2	Washer M8-17-1 Zwl	Rondelle M8	Scheibe - M8	Arandela	
27	6109412M91	1	Tube-Ldr Hyd HD RH	Tuyauterie	Rohrleitung Kplt	Conjunto De Tubería	
28	6109414M91	1	Tube-Ldr Hyd Rod LH	Tuyauterie	Rohrleitung Kplt	Conjunto De Tubería	
29	6109416M91	1	Tube-Ldr Hyd HD RH	Tuyauterie	Rohrleitung Kplt	Conjunto De Tubería	
30	6109418M91	1	Tube-Ldr Hyd Rod LH	Tuyauterie	Rohrleitung Kplt	Conjunto De Tubería	
31	6101897M1	2	Pad-Rubber	Plaque De Caoutchouc	Gummiplatte	Placa, Caucho	
32	6101228M1	4	Clamp-Tube-Assy	Collier De Serrage	Klemme	Brida De Fijación	
33	339124X1	4	Bolt M8-16 Z5f	Goupille	Maschschrb Metr - M8	Tornillo	
34	390972X1	4	Washer M8-17-1 Zwl	Rondelle M8	Scheibe - M8	Arandela	
35	356561X1	2	Tee-Union	Te	T-Stück	Te	
36	6109428M91	1	Tube-Ldr Hyd Rod	Tuyauterie	Rohrleitung Kplt	Conjunto De Tubería	
37	6109430M91	1	Tube-Ldr Hyd HD	Tuyauterie	Rohrleitung Kplt	Conjunto De Tubería	

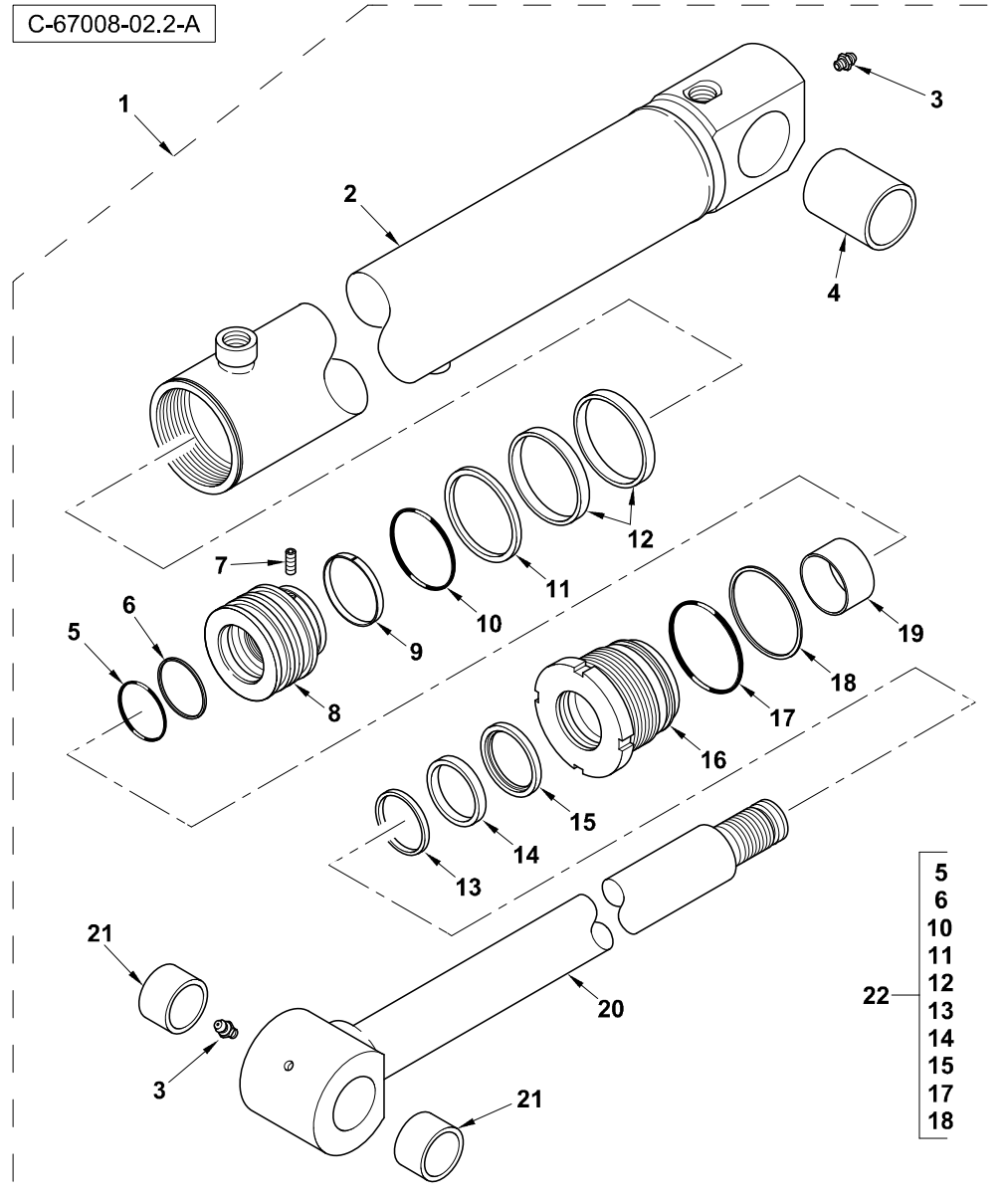


C-67008-02.1-A



Item	Part No.	Qty.	English	French	German	Spanish	Remarks
1	6109553M91	2	Cylinder - Lift High Spec	L'Hie Hydraulique	Zylinder Hydr.	Gato, Conj.	67008c01.1 1
2	#TUBE, CYLINDER	1	Tube, Cylinder	Tube, Cylinder	Tube, Cylinder	Tube, Cylinder	
3	#TUBE, CYLINDER	1	Tube, Cylinder	Tube, Cylinder	Tube, Cylinder	Tube, Cylinder	Ref. 2
4	3623322M1	1	Bush	Douille	Büchse	Anillo	
5	339608X1	1	Grease Nipple - M10 X 1 (Zinc)	Nipple De Graissage	Schmiernippel	Engrasador	
6	3485892M1	1	Guide Ring Piston	Bague D'Étanchéité	Dichtungsring	Anillo, Estanqueidad	
7	3485245M91	1	Seal Assy Piston	Joint Ass.	Dichtung Kplt	Junta, Conj.	
8	3485892M1	1	Guide Ring Piston	Bague D'Étanchéité	Dichtungsring	Anillo, Estanqueidad	
9	3402928M1	1	Screw, Socket Head - Piston Locating	Vis Tête Hex	Zylinderschraube	Tornillo	
10	3487180M1	1	Piston	Piston	Kolben	Pistón De Gato	
11	359183X1	1	O-Ring	Joint Torique	O-Ring	Junta De Tipo O	
12	359193X1	1	O-Ring	Joint Torique	O-Ring	Junta De Tipo O	
13	1606735M1	1	Ring Back-Up	Contre Bague	Stützring	ContraJunta	
14	3623641M1	1	O-Ring	Joint Torique	O-Ring	Junta De Tipo O	
15	3443550M1	1	Ring Rod Guide	Anneau	Ring	Aro	
16	5002159M1	1	Bearing	Roulement	Lager	Palier De Gato	
17	3403067M1	1	Seal	Joint D'Arbre	Wellendichtring	Anillo, Estanqueidad	
18	1606058M1	1	Wiper Ring	Joint De Racleur	Abstreifdichtung	Junta Raspador	
19	3441920M91	1	Piston Rod Assy	Tige De Vérin	Kolbenstange	Vástago Cilindro	
20	#ROD, PISTON	1	Rod, Piston	Rod, Piston	Rod, Piston	Rod, Piston	Ref. 19
21	3623323M1	2	Bush	Douille	Büchse	Anillo	
22	339608X1	1	Grease Nipple - M10 X 1 (Zinc)	Nipple De Graissage	Schmiernippel	Engrasador	
23	5001975M91	1	Kit Seal	Jeu Étanchéité	Dichtringsatz	Juego De Juntas	

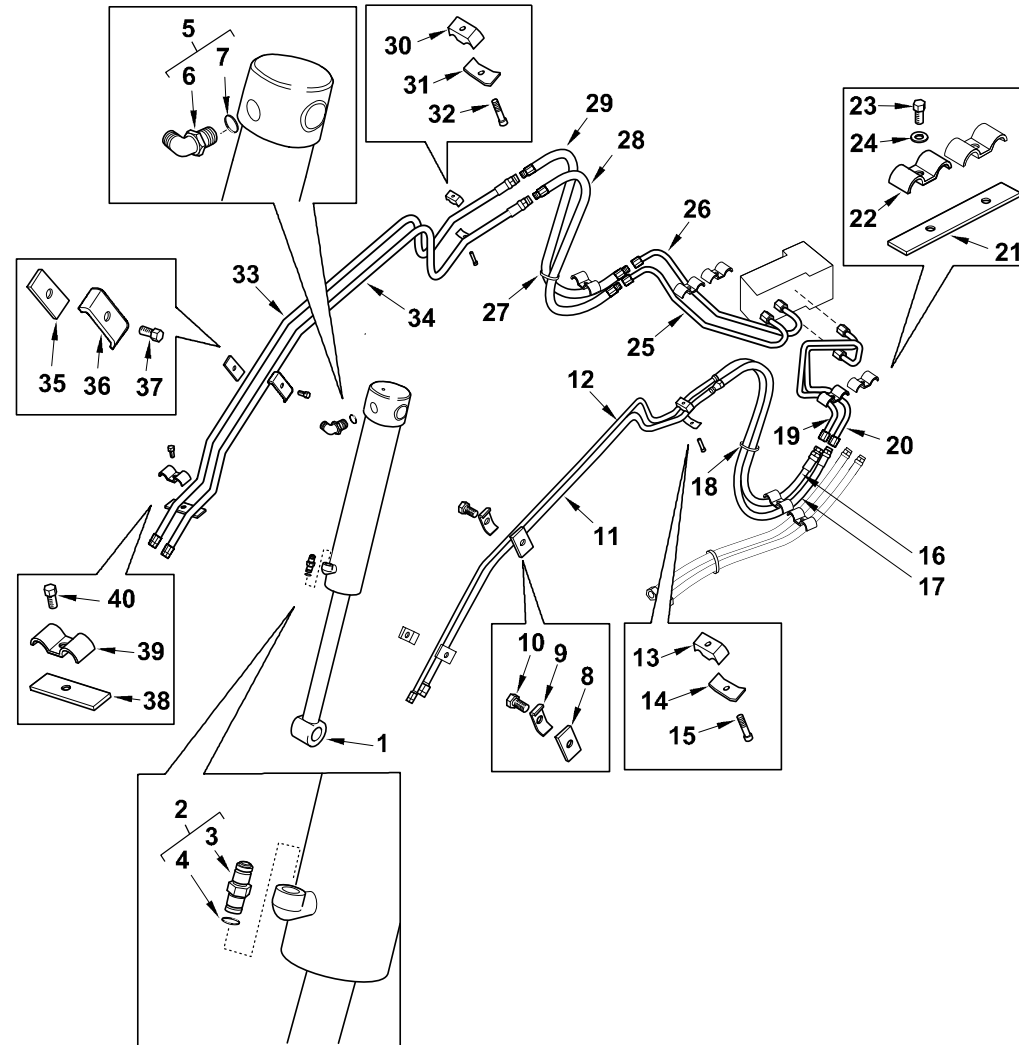




Item	Part No.	Qty.	English	French	German	Spanish	Remarks
1	6111077M91GY03	1	Cylinder Lift High Spec	Verin Hydraulique	Hydraulikzyl	Cilindro Hidrauli	
2	6195241M91GY03	1	Tube - S/A (Terex Grey)	Tube - S/A (Terex Grey)	Tube - S/A (Terex Grey)	Tube - S/A (Terex Grey)	
3	6194542M1	2	Nipple - Grease	Graisseur Coude	Nippel	Manguito, Engrasador	
4	6195244M1	1	Bush	Bush	Bush	Bush	
5	6195247M1	1	O - Ring	O - Ring	O - Ring	O - Ring	
6	6194570M1	1	Ring - Back Up	Contre Bague	Stutzring	ContraJunta	
7	6194619M1	1	Set Screw	Vis	Schraube	Tornillo De Ajuste	
8	6195242M1	1	Piston	Piston	Piston	Piston	
9	6195246M1	1	Ring - Snap	Ring - Snap	Ring - Snap	Ring - Snap	
10	6195186M1	1	O-Ring	O-Ring	O-Ring	O-Ring	
11	6194635M1	1	Seal - Piston	Joint Étanchéité	Dichtring	Junta	
12	6194634M1	2	Bearing - Piston	Coussinet	Lager	Teniendo - Pistón	
13	6194590M1	1	Wiper	Essuyeur	Wischer	Raspador, Escobilla	
14	6194589M1	1	Seal - Rod	Joint Étanchéité	Dichtring	Junta	
15	6194588M1	1	Seal - Rod (Primary)	Joint Étanchéité	Dichtring	Junta	
16	6195243M1	1	Cover - H.E.	Cover - H.E.	Cover - H.E.	Cover - H.E.	
17	6195189M1	1	O-Ring	O-Ring	O-Ring	O-Ring	
18	6194641M1	1	Ring - Back Up	Contre Bague	Stutzring	ContraJunta	
19	6194593M1	1	Bush - Bimetal	Douille	Büchse	Juego De Anillos	
20	6194537M91	1	Rod - Piston	Bielle De Piston	Pleuelstange	Rod - Pistón	
21	6195245M1	2	Bush	Bush	Bush	Bush	
22	6195248M91	1	Seal Kit	Seal Kit	Seal Kit	Seal Kit	



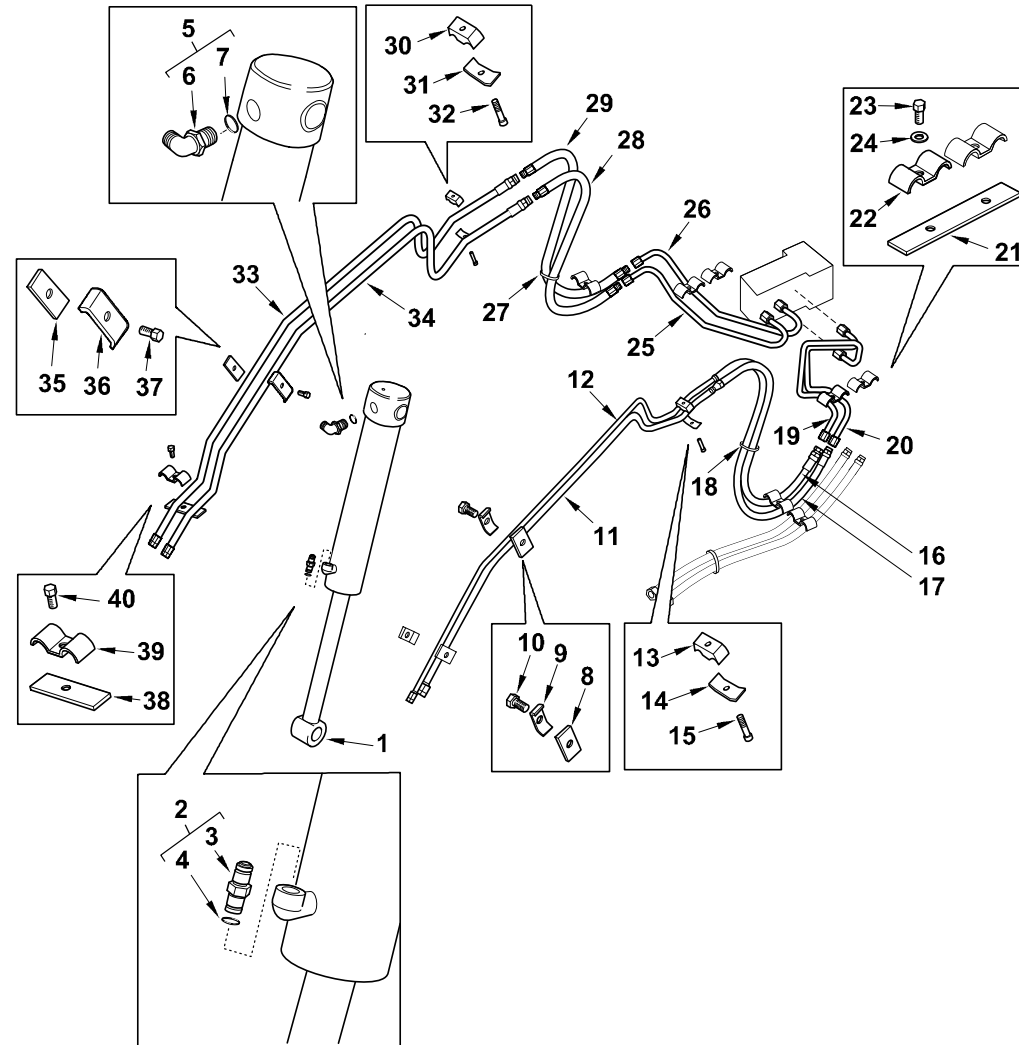
C-67008-03.1-B



Item	Part No.	Qty.	English	French	German	Spanish	Remarks
1	6111076M91GY03	1	Cylinder Loader Bucket High Spec	Cylindre	Zylinder	Cilindro	Wipro
1	5000120M91	1	Cylinder Loader Bucket - Hi Spec	L' Hie Hydraulique	Zylinder Hydr.	Gato, Conj.	Pacoma
2	835013M91	1	Connector 7/8 Jic	Raccord	Schraubanschluss	Conexión, Conj.	
3	#UNION	1	Union	Union	Union	Union	Ref. 2
4	835024M1	1	Ring O - Boa	Joint Torique	O Ring	Junta De Tipo O	
5	835007M91	1	Elbow 90 Degree Adjust	Coude 90°	Kniestück 90°	Codo, 90°	
6	#ELBOW	1	Elbow	Elbow	Elbow	Elbow	Ref. 6
7	835024M1	1	Ring O - Boa	Joint Torique	O Ring	Junta De Tipo O	
8	6106109M1	2	Pad-Neoprene	Tampon	Klotz	Placa, Caucho	
9	6101228M1	2	Clamp-Tube-Assy	Collier De Serrage	Klemme	Brida De Fijación	
10	339123X1	2	Bolt M8-20 Z5f	Boulon M8 X 20	Maschschraube M8	Perno	
11	6102461M91	1	Tube Assy	Tuyauterie	Rohrleitung Kplt	Conjunto De Tubería	
12	6102463M91	1	Tube Assy	Tuyauterie	Rohrleitung Kplt	Conjunto De Tubería	
13	3520528M2	1	Clamp Block Ldr Beam	Collier De Serrage	Klemme	Argolla De Cierre	
14	3520534M1	1	Clamp (Zinc Plated)	Collier De Serrage	Klemme	Brida De Fijación	
15	339291X1	1	Bolt M8-55 Z5s	Goupille	Bolzen M8 X 55	Tornillo	
16	6109793M91	1	Hose Assy - Bucket Cyl Rod	Flexible Ass.	Schlauch Kplt	Flexible, Conj.	
17	6109543M91	1	Hose Assy - Bkt Cylinder Head	Flexible Ass.	Schlauch Kplt	Flexible, Conj.	
18	1876229M1	1	Tie 270mm Lk2a	Attache Câble	Kabelbinder	Enlace De Cable	
19	6109420M91	1	Tube-Ldr Hyd Bucket Rod	Tuyauterie	Rohrleitung Kplt	Conjunto De Tubería	
20	6109422M91	1	Tube-Ldr Hyd Bucket HD	Tuyauterie	Rohrleitung Kplt	Conjunto De Tubería	
21	6101897M1	1	Pad-Rubber	Plaque De Caoutchouc	Gummiplatte	Placa, Caucho	
22	6101228M1	2	Clamp-Tube-Assy	Collier De Serrage	Klemme	Brida De Fijación	
23	339124X1	2	Bolt M8-16 Z5f	Goupille	Maschschrb Metr - M8	Tornillo	
24	390972X1	2	Washer M8-17-1 Zwl	Rondelle M8	Scheibe - M8	Arandela	
25	6109424M93	1	Tube Assembly - Loader Hyd 7 In 1 HD	Ensemble Tube	Rohr Kpl	Conjunto De Tubería	
26	6109426M92	1	Tube Assy (7 In 1 Rod)	Tuyauterie	Rohr Kpl	Conjunto De Tubería	
27	1876229M1	1	Tie 270mm Lk2a	Attache Câble	Kabelbinder	Enlace De Cable	
28	6109804M91	1	Hose Assy - 7 In 1 Inner	Ensemble Durit	Schlauch Kpl	Flexible, Conj.	
29	6109920M91	1	Hose Assy - 7 In 1 Outer	Ensemble Durit	Schlauch Kpl	Flexible, Conj.	



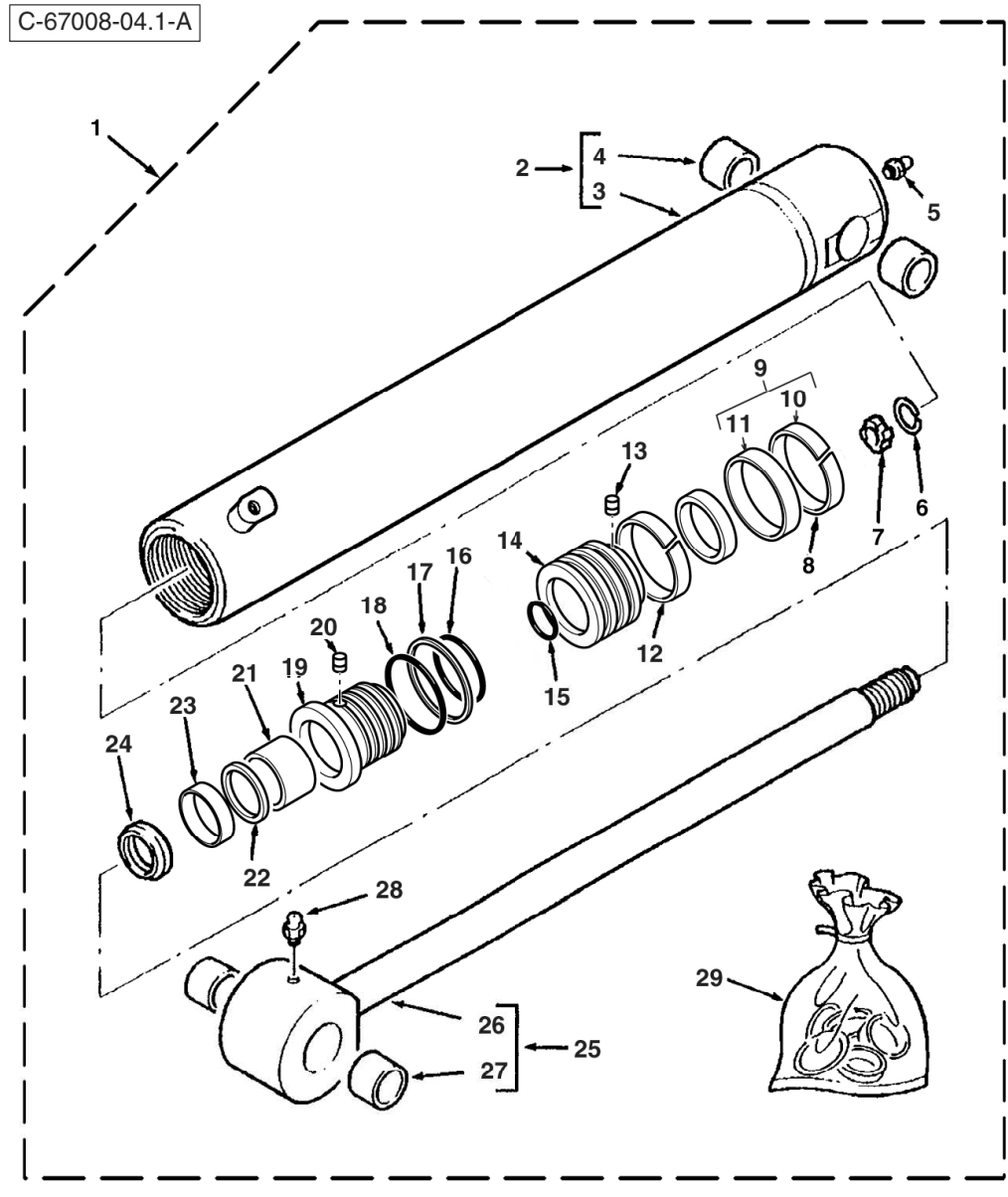
C-67008-03.1-B





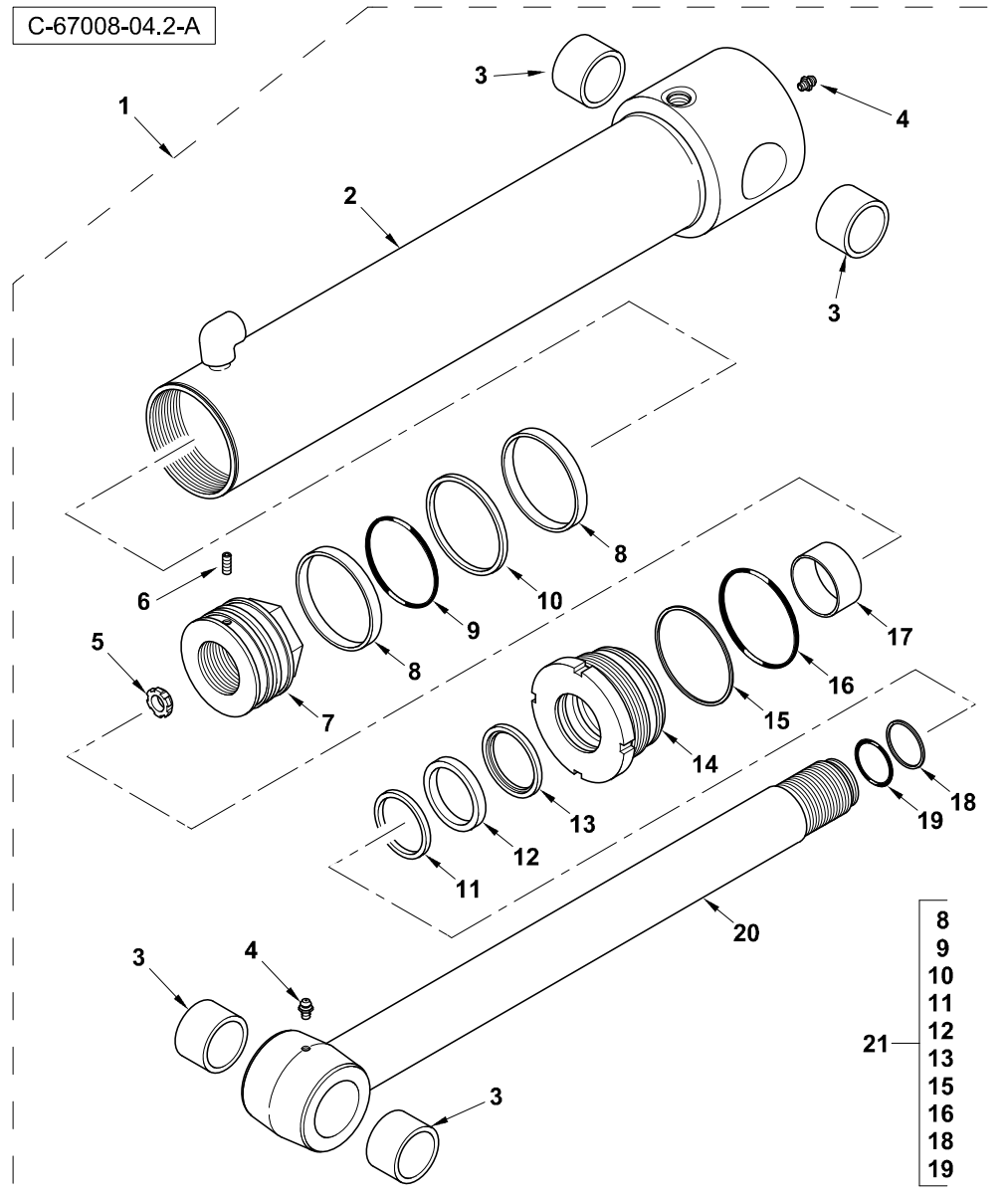
Item	Part No.	Qty.	English	French	German	Spanish	Remarks
30	3520538M2	1	Clamp Block Ldr Beam	Collier De Serrage	Klemme	Argolla De Cierre	
31	3520534M1	1	Clamp (Zinc Plated)	Collier De Serrage	Klemme	Brida De Fijación	
32	339291X1	1	Bolt M8-55 Z5s	Goupille	Bolzen M8 X 55	Tornillo	
33	6101236M91	1	Tube-Assy Bucket 7 In 1	Tuyauterie	Rohrleitung Kplt	Conjunto De Tubería	
34	6101234M91	1	Tube-Assy 7 In 1 Bucket	Tuyauterie	Rohrleitung Kplt	Conjunto De Tubería	
35	6106109M1	1	Pad-Neoprene	Tampon	Klotz	Placa, Caucho	
36	6101228M1	1	Clamp-Tube-Assy	Collier De Serrage	Klemme	Brida De Fijación	
37	339123X1	1	Bolt M8-20 Z5f	Boulon M8 X 20	Maschschraube M8	Perno	
38	6106109M1	1	Pad-Neoprene	Tampon	Klotz	Placa, Caucho	
39	6101228M1	1	Clamp-Tube-Assy	Collier De Serrage	Klemme	Brida De Fijación	
40	339009X1	1	Bolt - M8 X 35	Boulon M8 X 35	Maschschraube M8	Tornillo	





Item	Part No.	Qty.	English	French	German	Spanish	Remarks
1	5000120M91	1	Cylinder Loader Bucket - Hi Spec	L´Hie Hydraulique	Zylinder Hydr.	Gato, Conj.	67008c03.1 1
2	5003936M91	1	Barrel Cylinder	Ensemble De Vérin	Zylinder Kpl.	Gato, Conj.	
3	#TUBE, CYLINDER	1	Tube, Cylinder	Tube, Cylinder	Tube, Cylinder	Tube, Cylinder	Ref. 3
4	3623390M1	2	Bush	Douille	Buechse	Casquillo	
5	339608X1	1	Grease Nipple - M10 X 1 (Zinc)	Nipple De Graissage	Schmiernippel	Engrasador	
6	3186587M1	1	Snap Ring	Anneau D´Arrêt	Sprengring	Anillo De Resorte	
7	3186586M1	1	Ring Cushioning	Anneau	Ring	Aro	
8	3442376M1	1	Ring Piston Guide	Anneau	Ring	Aro	
9	3485249M91	1	Seal Piston	Joint	Dichtung	Junta	
10	#SEAL	1	Seal	Joint Étanchéité	Dichtring	Retén	Ref. 9
11	#SEAL	1	Seal	Joint Étanchéité	Dichtring	Retén	Ref. 9
12	3442376M1	1	Ring Piston Guide	Anneau	Ring	Aro	
13	3402928M1	1	Screw, Socket Head - Piston Locating	Vis Tête Hex	Zylinderschraube	Tornillo	
14	3485147M1	1	Piston	Piston	Kolben	Pistón	
15	359186X1	1	O-Ring	Joint Torique	O-Ring	Junta De Tipo O	
16	359201X1	1	O Ring	Joint Torique	O Ring	Junta De Tipo O	
17	1024334M1	1	Ring, Back-Up	Contre Bague	Stuetzring	Aro	
18	3487909M1	1	O-Ring	Joint Torique	O-Ring	Junta De Tipo O	
19	5003941M1	1	Bearing	Roulement	Lager	Cojinete	
20	3443386M1	1	Retaining Plug	Bouchon	Stopfen	Tapón	
21	3484615M1	1	Guide Ring	Anneau	Ring	Aro	
22	3484055M1	1	Ring Buffer	Anneau	Ring	Aro	
23	3485185M1	1	Seal	Joint D´Arbre	Wellendichtring	Junta	
24	3487015M1	1	Wiper Ring	Anneau	Ring	Aro	
25	3441631M91	1	Piston Rod Assy	Tige De Vérin	Kolbenstange	Vástago Cilindro	
26	#ROD, PISTON	1	Rod, Piston	Rod, Piston	Rod, Piston	Rod, Piston	Ref. 23
27	3623390M1	2	Bush	Douille	Buechse	Casquillo	
28	339608X1	1	Grease Nipple - M10 X 1 (Zinc)	Nipple De Graissage	Schmiernippel	Engrasador	
29	3623397M91	1	Kit Seal	Jeu Étanchéité	Dichtringsatz	Juego De Piezas	

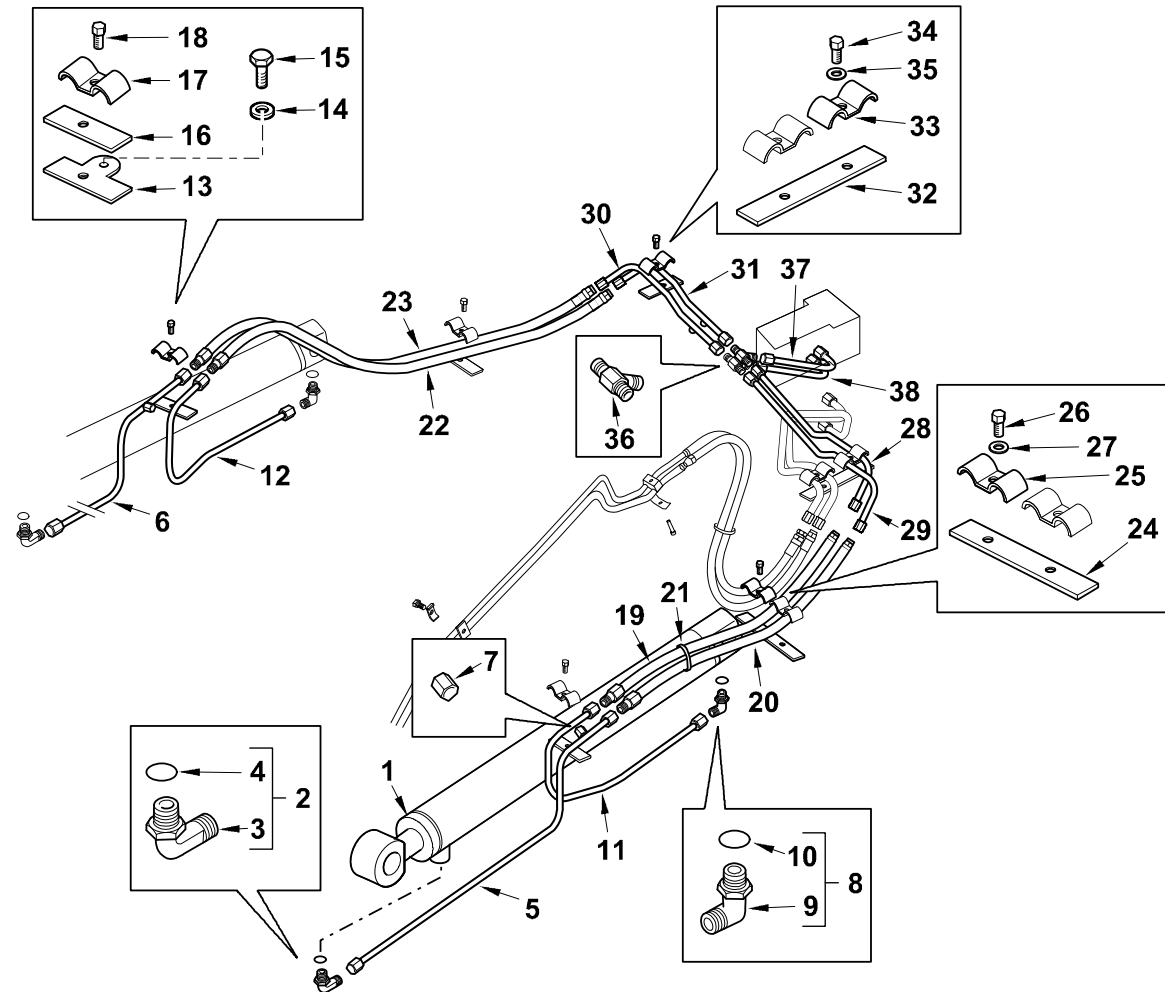




Item	Part No.	Qty.	English	French	German	Spanish	Remarks
1	6111076M91GY03	1	Cylinder Loader Bucket High Spec	Cylindre	Zylinder	Cilindro	
2	6195231M91GY03	1	Tube - S/A (Terex Grey)	Tube - S/A (Terex Grey)	Tube - S/A (Terex Grey)	Tube - S/A (Terex Grey)	
3	6195234M1	4	Bush	Bush	Bush	Bush	
4	6194542M1	2	Nipple - Grease	Graisseur Coude	Nippel	Manguito, Engrasador	
5	6195235M1	1	Ring - Cushion	Ring - Cushion	Ring - Cushion	Ring - Cushion	
6	6195236M1	1	Set Screw - Hex Socket	Set Screw - Hex Socket	Set Screw - Hex Socket	Set Screw - Hex Socket	
7	6195232M1	1	Piston	Piston	Piston	Piston	
8	6194568M1	2	Bearing - Piston	Coussinet	Lager	Teniendo - Pistón	
9	6194567M1	1	O Ring (Std)	Joint Torique	O Ring	Junta De Tipo O	
10	6194566M1	1	Seal - Piston	Joint Étanchéité	Dichtring	Junta	
11	6194554M1	1	Wiper	Essuyeur	Wischer	Raspador, Escobilla	
12	6194551M1	1	Seal- Rod (Secondary)	Joint Étanchéité	Dichtring	Junta	
13	6194638M1	1	Seal - Rod (Primary)	Joint Étanchéité	Dichtring	Junta	
14	6195233M1	1	Cover - H.E.	Cover - H.E.	Cover - H.E.	Cover - H.E.	
15	6195238M1	1	Ring - Back Up	Ring - Back Up	Ring - Back Up	Ring - Back Up	
16	6195237M1	1	O - Ring	O - Ring	O - Ring	O - Ring	
17	6194541M1	1	Bush - Bimetal	Douille	Büchse	Juego De Anillos	
18	6194549M1	1	Ring - Back Up	Contre Bague	Stutzring	ContraJunta	
19	6195193M1	1	O-Ring	O-Ring	O-Ring	O-Ring	
20	6194537M91	1	Rod - Piston	Bielle De Piston	Pleuelstange	Rod - Pistón	
21	6195239M91	1	Seal Kit	Jeu Etancheite	Dichtringsatz	Juego Retenes	



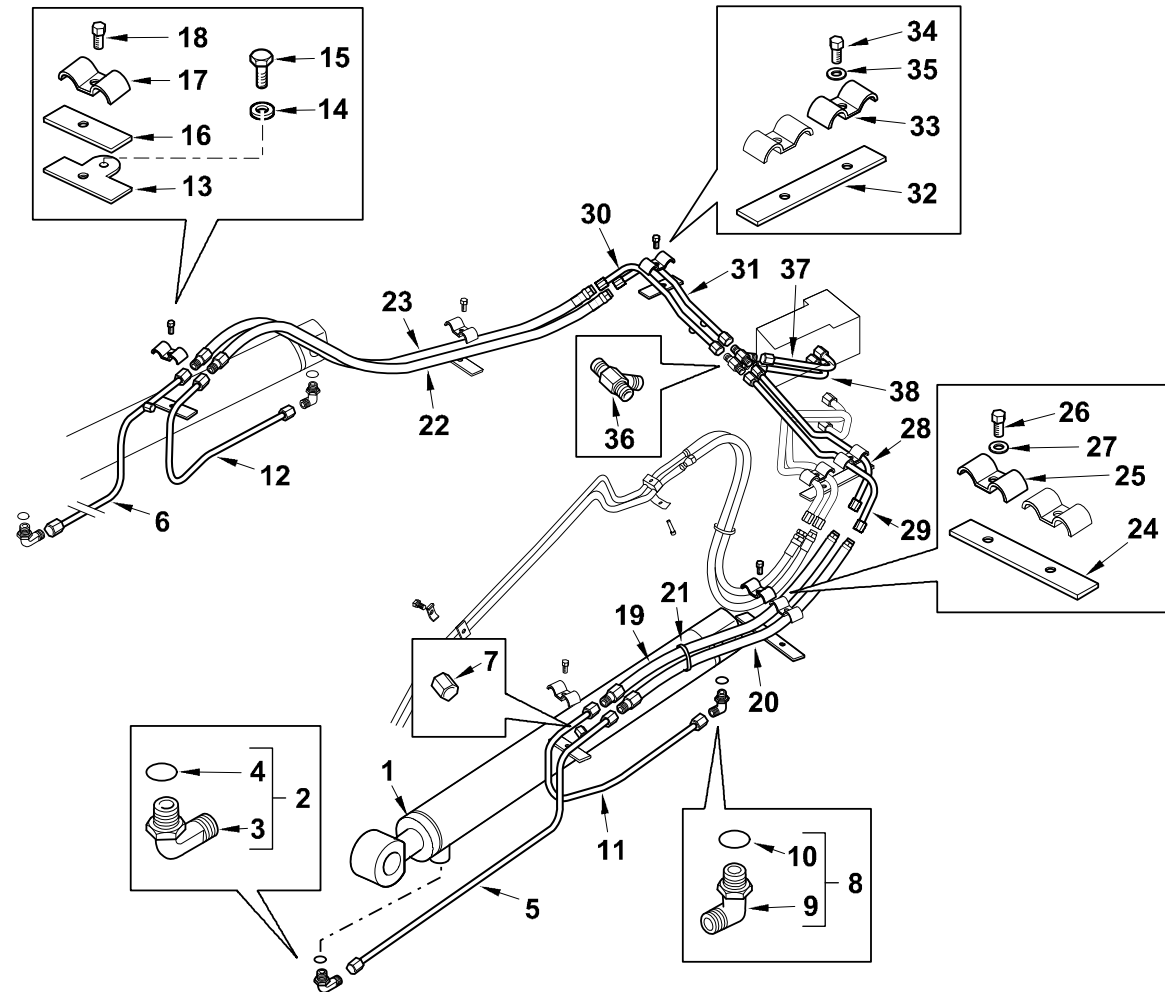
C-67010-01.1-B



Item	Part No.	Qty.	English	French	German	Spanish	Remarks
1	6109553M91	2	Cylinder - Lift High Spec	L'Hie Hydraulique	Zylinder Hydr.	Gato, Conj.	Pacoma
1	6111077M91GY03	1	Cylinder Lift High Spec	Verin Hydraulique	Hydraulikzyl	Cilindro Hidrauli	Wipro
2	835007M91	2	Elbow 90 Degree Adjust	Coude 90°	Kniestück 90°	Codo, 90°	
3	#ELBOW	1	Elbow	Elbow	Elbow	Elbow	Ref. 2
4	835024M1	1	Ring O - Boa	Joint Torique	O Ring	Junta De Tipo O	
5	6109544M91	1	Tube-Ldr Hyd	Tuyauterie	Rohrleitung Kplt	Conjunto De Tubería	Pacoma
5	6111167M91	1	Tube Assembly - Loader	Tuyauterie	Rohrleitung Kplt	Conjunto De Tubería	Wipro
6	6111169M91	1	Tube Assembly - Loader	Tuyauterie	Rohrleitung Kplt	Conjunto De Tubería	Wipro
6	6109548M91	1	Tube-Ldr Hyd	Tuyauterie	Rohrleitung Kplt	Conjunto De Tubería	Pacoma
7	356579X1	2	Cap Tube 9/16	Capuchon	Wetterkappe	Sombbrero	
8	835007M91	2	Elbow 90 Degree Adjust	Coude 90°	Kniestück 90°	Codo, 90°	
9	#ELBOW	1	Elbow	Elbow	Elbow	Elbow	Ref. 8
10	835024M1	1	Ring O - Boa	Joint Torique	O Ring	Junta De Tipo O	
11	6111168M91	1	Tube Assembly - Loader	Tuyauterie	Rohrleitung Kplt	Conjunto De Tubería	Wipro
11	6109546M91	1	Tube-Ldr Hyd	Tuyauterie	Rohrleitung Kplt	Conjunto De Tubería	Pacoma
12	6109550M91	1	Tube-Ldr Hyd	Tuyauterie	Rohrleitung Kplt	Conjunto De Tubería	Pacoma
12	6111170M91	1	Tube Assembly - Loader	Tuyauterie	Rohrleitung Kplt	Conjunto De Tubería	Wipro
13	6109791M91	2	Clamp Plate Assy	Ensemble De Plaque	Platte Kpl.	Placa, Conj.	
14	339374X1	2	Washer M8 -21-2 Z	Rondelle Frein - M8	Federring - M8	Arandela De Freno	
15	339123X1	2	Bolt M8-20 Z5f	Boulon M8 X 20	Maschschraube M8	Perno	
16	6106109M1	2	Pad-Neoprene	Tampon	Klotz	Placa, Caucho	
17	6101228M1	2	Clamp-Tube-Assy	Collier De Serrage	Klemme	Brida De Fijación	
18	339123X1	2	Bolt M8-20 Z5f	Boulon M8 X 20	Maschschraube M8	Perno	
19	6109919M91	1	Hose Assy - Lift Cylinder Head	Flexible Ass.	Schlauch Kplt	Flexible, Conj.	
20	6109372M91	1	Hose Assy - Lift Cylinder Rod	Flexible Ass.	Schlauch Kplt	Flexible, Conj.	
21	1876229M1	2	Tie 270mm Lk2a	Attache Câble	Kabelbinder	Enlace De Cable	
22	6109919M91	1	Hose Assy - Lift Cylinder Head	Flexible Ass.	Schlauch Kplt	Flexible, Conj.	
23	6109372M91	1	Hose Assy - Lift Cylinder Rod	Flexible Ass.	Schlauch Kplt	Flexible, Conj.	
24	6101897M1	1	Pad-Rubber	Plaque De Caoutchouc	Gummiplatte	Placa, Caucho	
25	6101228M1	2	Clamp-Tube-Assy	Collier De Serrage	Klemme	Brida De Fijación	



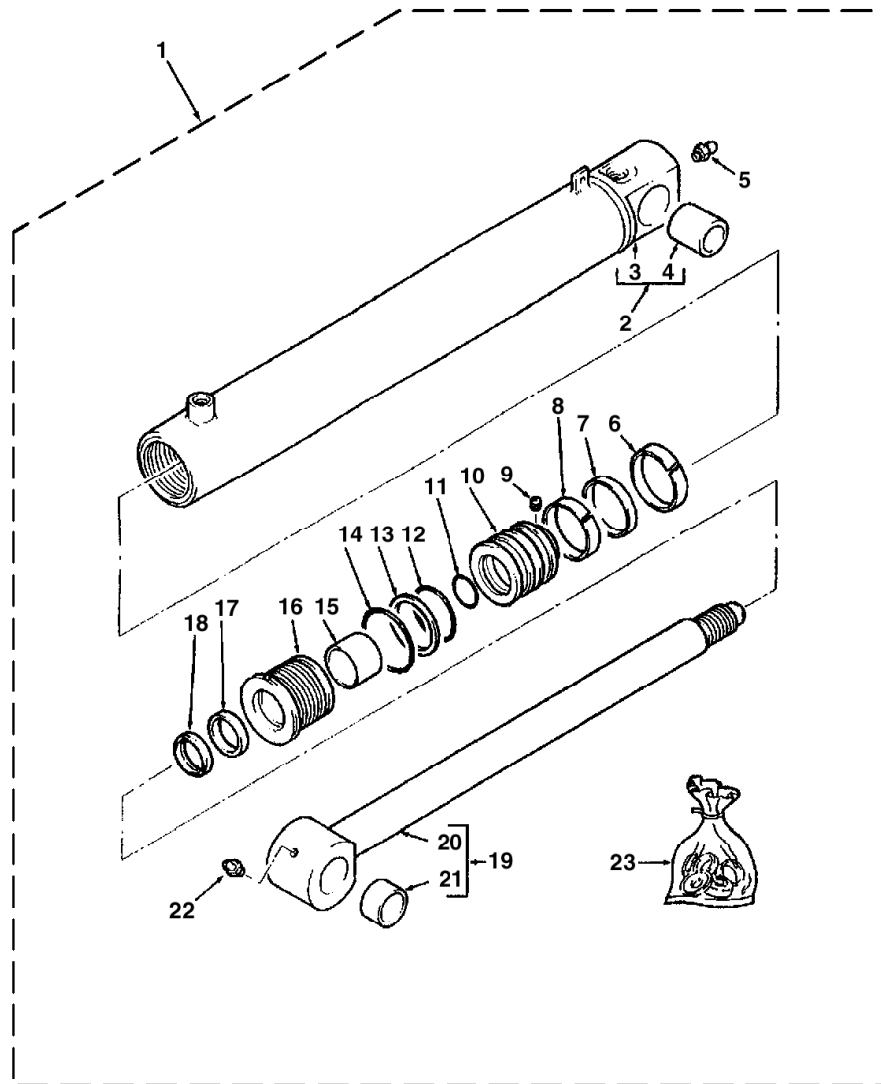
C-67010-01.1-B





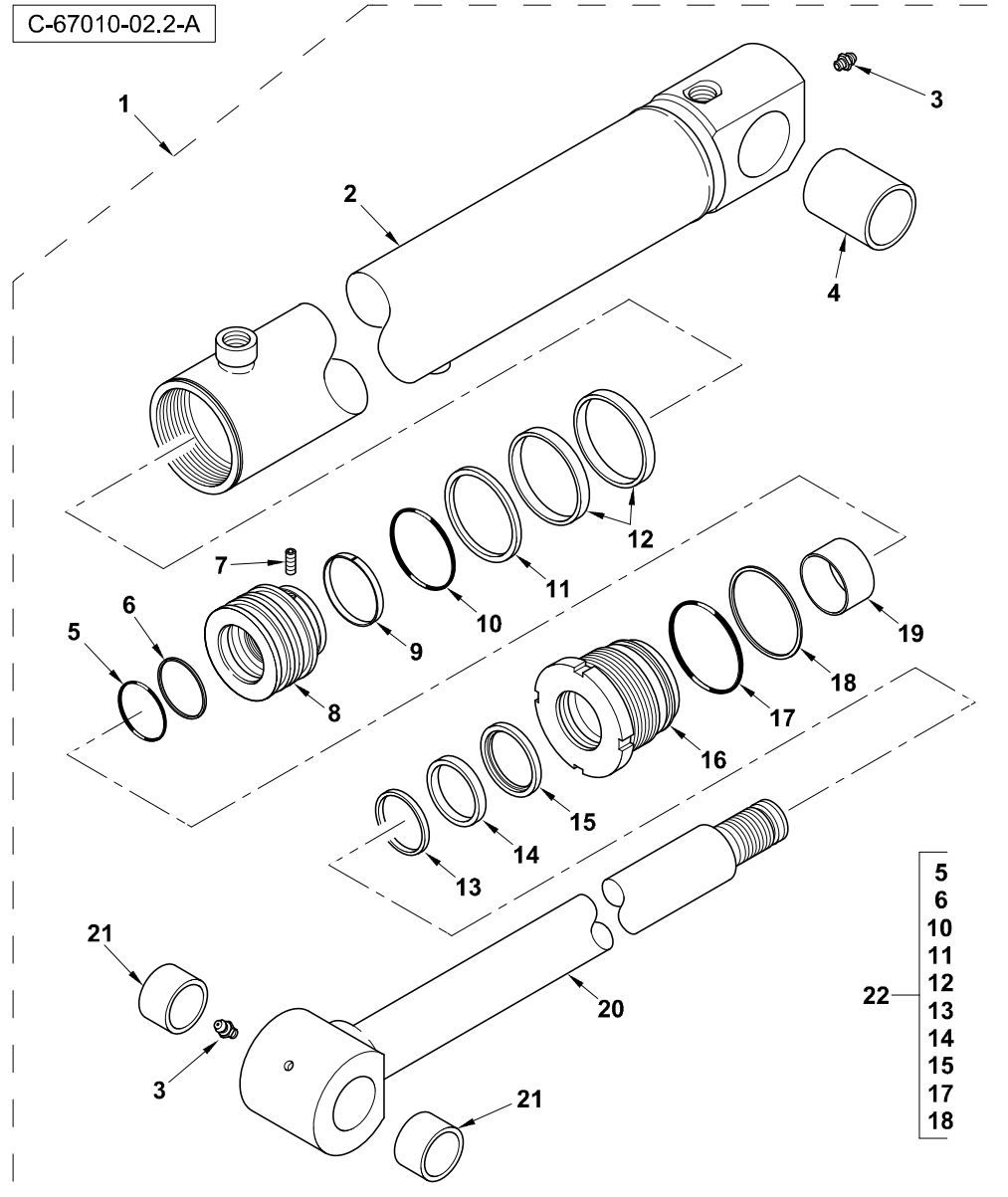
Item	Part No.	Qty.	English	French	German	Spanish	Remarks
26	339124X1	2	Bolt M8-16 Z5f	Goupille	Maschschrb Metr - M8	Tornillo	
27	390972X1	2	Washer M8-17-1 Zwl	Rondelle M8	Scheibe - M8	Arandela	
28	6109412M91	1	Tube-Ldr Hyd HD RH	Tuyauterie	Rohrleitung Kplt	Conjunto De Tubería	
29	6109414M91	1	Tube-Ldr Hyd Rod LH	Tuyauterie	Rohrleitung Kplt	Conjunto De Tubería	
30	6109416M91	1	Tube-Ldr Hyd HD RH	Tuyauterie	Rohrleitung Kplt	Conjunto De Tubería	
31	6109418M91	1	Tube-Ldr Hyd Rod LH	Tuyauterie	Rohrleitung Kplt	Conjunto De Tubería	
32	6101897M1	2	Pad-Rubber	Plaque De Caoutchouc	Gummiplatte	Placa, Caucho	
33	6101228M1	4	Clamp-Tube-Assy	Collier De Serrage	Klemme	Brida De Fijación	
34	339124X1	4	Bolt M8-16 Z5f	Goupille	Maschschrb Metr - M8	Tornillo	
35	390972X1	4	Washer M8-17-1 Zwl	Rondelle M8	Scheibe - M8	Arandela	
36	356561X1	2	Tee-Union	Te	T-Stück	Te	
37	6109428M91	1	Tube-Ldr Hyd Rod	Tuyauterie	Rohrleitung Kplt	Conjunto De Tubería	
38	6109430M91	1	Tube-Ldr Hyd HD	Tuyauterie	Rohrleitung Kplt	Conjunto De Tubería	

C-67010-02.1-B



Item	Part No.	Qty.	English	French	German	Spanish	Remarks
1	6109553M91	2	Cylinder - Lift High Spec	L'Hie Hydraulique	Zylinder Hydr.	Gato, Conj.	67010c01.1 1
2	#TUBE, CYLINDER	1	Tube, Cylinder	Tube, Cylinder	Tube, Cylinder	Tube, Cylinder	
3	#TUBE, CYLINDER	1	Tube, Cylinder	Tube, Cylinder	Tube, Cylinder	Tube, Cylinder	Ref. 2
4	3623322M1	1	Bush	Douille	Büchse	Anillo	
5	339608X1	1	Grease Nipple - M10 X 1 (Zinc)	Nipple De Graissage	Schmiernippel	Engrasador	
6	3485892M1	1	Guide Ring Piston	Bague D'Étanchéité	Dichtungsring	Anillo, Estanqueidad	
7	3485245M91	1	Seal Assy Piston	Joint Ass.	Dichtung Kplt	Junta, Conj.	
8	3485892M1	1	Guide Ring Piston	Bague D'Étanchéité	Dichtungsring	Anillo, Estanqueidad	
9	3402928M1	1	Screw, Socket Head - Piston Locating	Vis Tête Hex	Zylinderschraube	Tornillo	
10	3487180M1	1	Piston	Piston	Kolben	Pistón De Gato	
11	359183X1	1	O-Ring	Joint Torique	O-Ring	Junta De Tipo O	
12	359193X1	1	O-Ring	Joint Torique	O-Ring	Junta De Tipo O	
13	1606735M1	1	Ring Back-Up	Contre Bague	Stützring	ContraJunta	
14	3623641M1	1	O-Ring	Joint Torique	O-Ring	Junta De Tipo O	
15	3443550M1	1	Ring Rod Guide	Anneau	Ring	Aro	
16	5002159M1	1	Bearing	Roulement	Lager	Palier De Gato	
17	3403067M1	1	Seal	Joint D'Arbre	Wellendichtring	Anillo, Estanqueidad	
18	1606058M1	1	Wiper Ring	Joint De Racleur	Abstreifdichtung	Junta Raspador	
19	3441920M91	1	Piston Rod Assy	Tige De Vérin	Kolbenstange	Vástago Cilindro	
20	#ROD, PISTON	1	Rod, Piston	Rod, Piston	Rod, Piston	Rod, Piston	Ref. 19
21	3623323M1	2	Bush	Douille	Büchse	Anillo	
22	339608X1	1	Grease Nipple - M10 X 1 (Zinc)	Nipple De Graissage	Schmiernippel	Engrasador	
23	5001975M91	1	Kit Seal	Jeu Étanchéité	Dichtringsatz	Juego De Juntas	

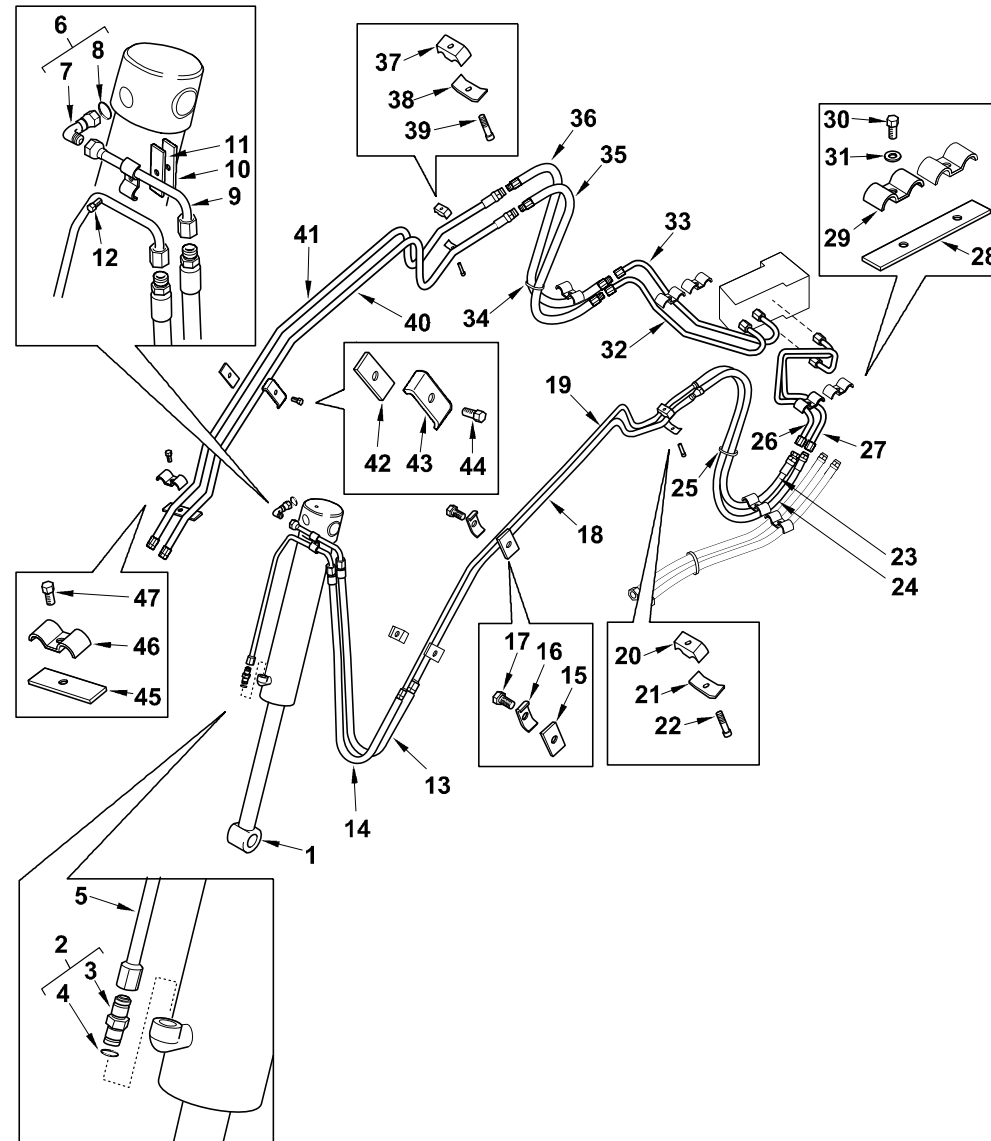




Item	Part No.	Qty.	English	French	German	Spanish	Remarks
1	6111077M91GY03	1	Cylinder Lift High Spec	Verin Hydraulique	Hydraulikzyl	Cilindro Hidrauli	
2	6195241M91GY03	1	Tube - S/A (Terex Grey)	Tube - S/A (Terex Grey)	Tube - S/A (Terex Grey)	Tube - S/A (Terex Grey)	
3	6194542M1	2	Nipple - Grease	Graisseur Coude	Nippel	Manguito, Engrasador	
4	6195244M1	1	Bush	Bush	Bush	Bush	
5	6195247M1	1	O - Ring	O - Ring	O - Ring	O - Ring	
6	6194570M1	1	Ring - Back Up	Contre Bague	Stutzring	ContraJunta	
7	6194619M1	1	Set Screw	Vis	Schraube	Tornillo De Ajuste	
8	6195242M1	1	Piston	Piston	Piston	Piston	
9	6195246M1	1	Ring - Snap	Ring - Snap	Ring - Snap	Ring - Snap	
10	6195186M1	1	O-Ring	O-Ring	O-Ring	O-Ring	
11	6194635M1	1	Seal - Piston	Joint Étanchéité	Dichtring	Junta	
12	6194634M1	2	Bearing - Piston	Coussinet	Lager	Teniendo - Pistón	
13	6194590M1	1	Wiper	Essuyeur	Wischer	Raspador, Escobilla	
14	6194589M1	1	Seal - Rod	Joint Étanchéité	Dichtring	Junta	
15	6194588M1	1	Seal - Rod (Primary)	Joint Étanchéité	Dichtring	Junta	
16	6195243M1	1	Cover - H.E.	Cover - H.E.	Cover - H.E.	Cover - H.E.	
17	6195189M1	1	O-Ring	O-Ring	O-Ring	O-Ring	
18	6194641M1	1	Ring - Back Up	Contre Bague	Stutzring	ContraJunta	
19	6194593M1	1	Bush - Bimetal	Douille	Büchse	Juego De Anillos	
20	6194537M91	1	Rod - Piston	Bielle De Piston	Pleuelstange	Rod - Pistón	
21	6195245M1	2	Bush	Bush	Bush	Bush	
22	6195248M91	1	Seal Kit	Seal Kit	Seal Kit	Seal Kit	

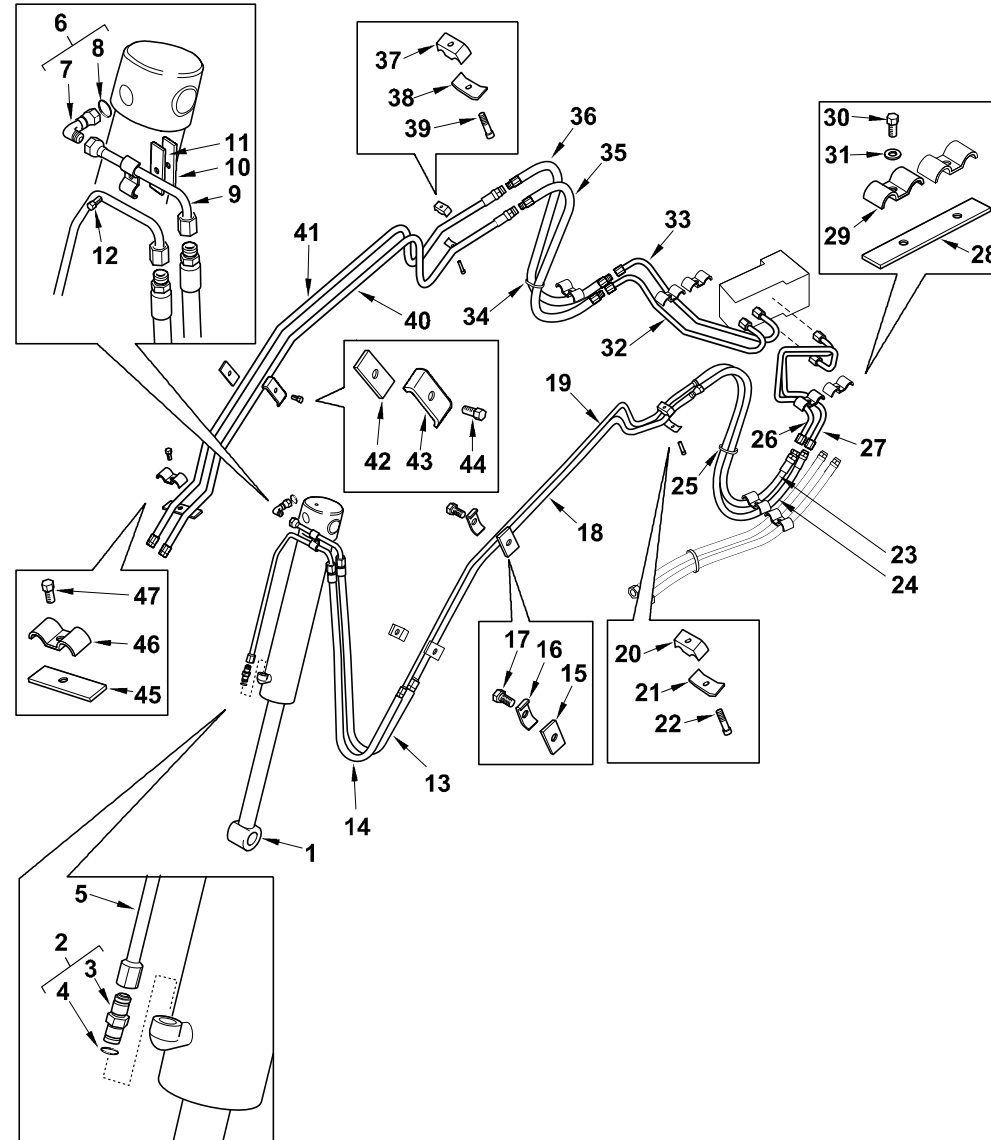


C-67010-03.1-B



Item	Part No.	Qty.	English	French	German	Spanish	Remarks
1	6111076M91GY03	1	Cylinder Loader Bucket High Spec	Cylindre	Zylinder	Cilindro	Wipro
1	5000120M91	1	Cylinder Loader Bucket - Hi Spec	L´Hie Hydraulique	Zylinder Hydr.	Gato, Conj.	Pacoma
2	835013M91	1	Connector 7/8 Jic	Raccord	Schraubanschluss	Conexión, Conj.	
3	#UNION	1	Union	Union	Union	Union	Ref. 2
4	835024M1	1	Ring O - Boa	Joint Torique	O Ring	Junta De Tipo O	
5	6109514M91	1	Tube-Ldr Hyd Bucket Rod	Tuyauterie	Rohrleitung Kplt	Conjunto De Tubería	
6	835007M91	1	Elbow 90 Degree Adjust	Coude 90°	Kniestück 90°	Codo, 90°	
7	#ELBOW	1	Elbow	Elbow	Elbow	Elbow	Ref. 6
8	835024M1	1	Ring O - Boa	Joint Torique	O Ring	Junta De Tipo O	
9	6109536M91	1	Tube Assy - Bucket Head	Tuyauterie	Rohrleitung Kplt	Conjunto De Tubería	
10	6109526M91	1	Clamp Plate Assy	Ensemble De Plaque	Platte Kpl.	Placa, Conj.	
11	6106109M1	1	Pad-Neoprene	Tampon	Klotz	Placa, Caucho	
12	339761X1	1	Bolt M8-25 Z5f	Goupille	Bolzen M8 X 25	Tornillo	
13	6109530M91	1	Hose Assy - Bucket Cyl Head	Flexible Ass.	Schlauch Kplt	Flexible, Conj.	
14	6109529M91	1	Hose Assy - Bucket Cyl Rod	Flexible Ass.	Schlauch Kplt	Flexible, Conj.	
15	6106109M1	2	Pad-Neoprene	Tampon	Klotz	Placa, Caucho	
16	6101228M1	2	Clamp-Tube-Assy	Collier De Serrage	Klemme	Brida De Fijación	
17	339123X1	2	Bolt M8-20 Z5f	Boulon M8 X 20	Maschschraube M8	Perno	
18	6102461M91	1	Tube Assy	Tuyauterie	Rohrleitung Kplt	Conjunto De Tubería	
19	6102463M91	1	Tube Assy	Tuyauterie	Rohrleitung Kplt	Conjunto De Tubería	
20	3520528M2	1	Clamp Block Ldr Beam	Collier De Serrage	Klemme	Argolla De Cierre	
21	3520534M1	1	Clamp (Zinc Plated)	Collier De Serrage	Klemme	Brida De Fijación	
22	339291X1	1	Bolt M8-55 Z5s	Goupille	Bolzen M8 X 55	Tornillo	
23	6109793M91	1	Hose Assy - Bucket Cyl Rod	Flexible Ass.	Schlauch Kplt	Flexible, Conj.	
24	6109543M91	1	Hose Assy - Bkt Cylinder Head	Flexible Ass.	Schlauch Kplt	Flexible, Conj.	
25	1876229M1	1	Tie 270mm Lk2a	Attache Câble	Kabelbinder	Enlace De Cable	
26	6109420M91	1	Tube-Ldr Hyd Bucket Rod	Tuyauterie	Rohrleitung Kplt	Conjunto De Tubería	
27	6109422M91	1	Tube-Ldr Hyd Bucket HD	Tuyauterie	Rohrleitung Kplt	Conjunto De Tubería	
28	6101897M1	1	Pad-Rubber	Plaque De Caoutchouc	Gummiplatte	Placa, Caucho	
29	6101228M1	2	Clamp-Tube-Assy	Collier De Serrage	Klemme	Brida De Fijación	

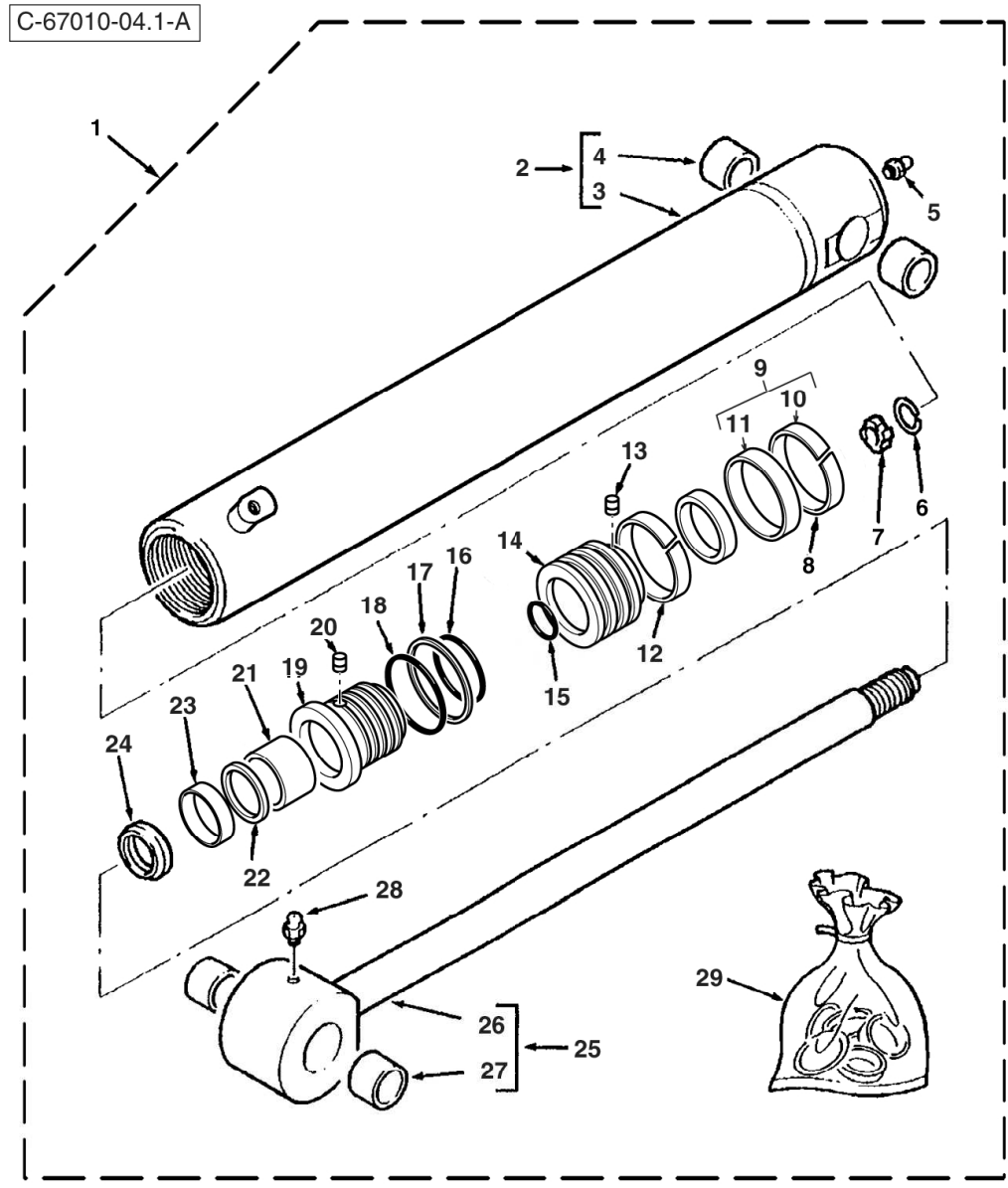
C-67010-03.1-B





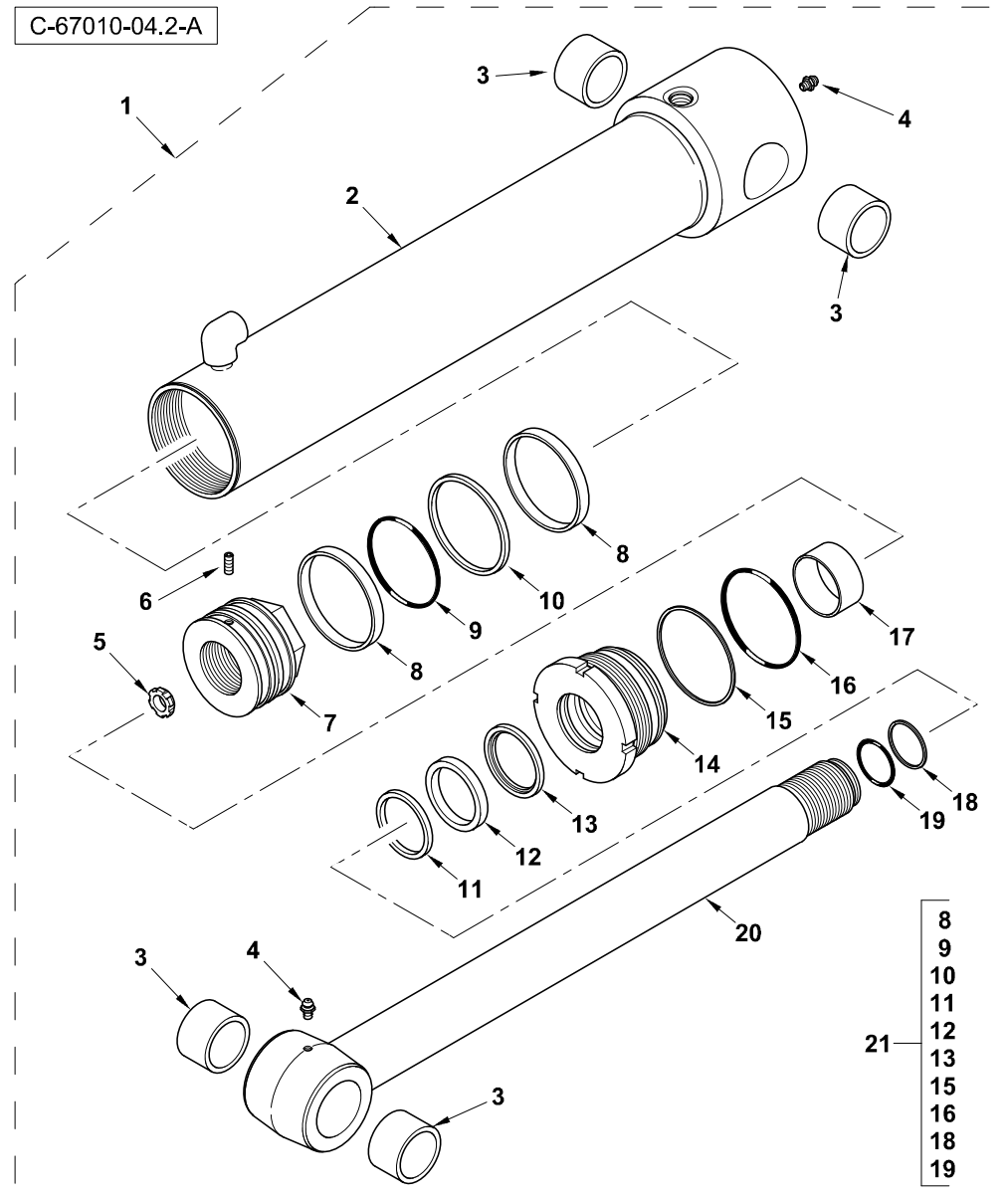
Item	Part No.	Qty.	English	French	German	Spanish	Remarks
30	339124X1	2	Bolt M8-16 Z5f	Goupille	Maschschrb Metr - M8	Tornillo	
31	390972X1	2	Washer M8-17-1 Zwl	Rondelle M8	Scheibe - M8	Arandela	
32	6111904M91	1	Tube Assembly 7 In 1 HD	Ensemble Tube	Rohr Kpl	Conjunto De Tubería	H200 7 2060
32	6109424M93	1	Tube Assembly - Loader Hyd 7 In 1 HD	Ensemble Tube	Rohr Kpl	Conjunto De Tubería	H200 7 2060
33	6111903M91	1	Tube Assembly 7 In 1 Rod	Ensemble Tube	Rohr Kpl	Conjunto De Tubería	H200 7 2060
33	6109426M92	1	Tube Assy (7 In 1 Rod)	Tuyauterie	Rohr Kpl	Conjunto De Tubería	H200 7 2060
34	1876229M1	1	Tie 270mm Lk2a	Attache Câble	Kabelbinder	Enlace De Cable	
35	6109804M91	1	Hose Assy - 7 In 1 Inner	Ensemble Durit	Schlauch Kpl	Flexible, Conj.	
36	6109920M91	1	Hose Assy - 7 In 1 Outer	Ensemble Durit	Schlauch Kpl	Flexible, Conj.	
37	3520538M2	1	Clamp Block Ldr Beam	Collier De Serrage	Klemme	Argolla De Cierre	
38	3520534M1	1	Clamp (Zinc Plated)	Collier De Serrage	Klemme	Brida De Fijación	
39	339291X1	1	Bolt M8-55 Z5s	Goupille	Bolzen M8 X 55	Tornillo	
40	6101236M91	1	Tube-Assy Bucket 7 In 1	Tuyauterie	Rohrleitung Kplt	Conjunto De Tubería	
41	6101234M91	1	Tube-Assy 7 In 1 Bucket	Tuyauterie	Rohrleitung Kplt	Conjunto De Tubería	
42	6106109M1	1	Pad-Neoprene	Tampon	Klotz	Placa, Caucho	
43	6101228M1	1	Clamp-Tube-Assy	Collier De Serrage	Klemme	Brida De Fijación	
44	339123X1	1	Bolt M8-20 Z5f	Boulon M8 X 20	Maschschraube M8	Perno	
45	6106109M1	1	Pad-Neoprene	Tampon	Klotz	Placa, Caucho	
46	6101228M1	1	Clamp-Tube-Assy	Collier De Serrage	Klemme	Brida De Fijación	
47	339009X1	1	Bolt - M8 X 35	Boulon M8 X 35	Maschschraube M8	Tornillo	
48	356447X1	2	Plug 37 Flare	Bouchon	Stopfen	Obturador	





Item	Part No.	Qty.	English	French	German	Spanish	Remarks
1	5000120M91	1	Cylinder Loader Bucket - Hi Spec	L´Hie Hydraulique	Zylinder Hydr.	Gato, Conj.	67010c03.1 1
2	5003936M91	1	Barrel Cylinder	Ensemble De Vérin	Zylinder Kpl.	Gato, Conj.	
3	#TUBE, CYLINDER	1	Tube, Cylinder	Tube, Cylinder	Tube, Cylinder	Tube, Cylinder	Ref. 3
4	3623390M1	2	Bush	Douille	Buechse	Casquillo	
5	339608X1	1	Grease Nipple - M10 X 1 (Zinc)	Nipple De Graissage	Schmiernippel	Engrasador	
6	3186587M1	1	Snap Ring	Anneau D´Arrêt	Sprengring	Anillo De Resorte	
7	3186586M1	1	Ring Cushioning	Anneau	Ring	Aro	
8	3442376M1	1	Ring Piston Guide	Anneau	Ring	Aro	
9	3485249M91	1	Seal Piston	Joint	Dichtung	Junta	
10	#SEAL	1	Seal	Joint Étanchéité	Dichtring	Retén	Ref. 9
11	#SEAL	1	Seal	Joint Étanchéité	Dichtring	Retén	Ref. 9
12	3442376M1	1	Ring Piston Guide	Anneau	Ring	Aro	
13	3402928M1	1	Screw, Socket Head - Piston Locating	Vis Tête Hex	Zylinderschraube	Tornillo	
14	3485147M1	1	Piston	Piston	Kolben	Pistón	
15	359186X1	1	O-Ring	Joint Torique	O-Ring	Junta De Tipo O	
16	359201X1	1	O Ring	Joint Torique	O Ring	Junta De Tipo O	
17	1024334M1	1	Ring, Back-Up	Contre Bague	Stuetzring	Aro	
18	3487909M1	1	O-Ring	Joint Torique	O-Ring	Junta De Tipo O	
19	5003941M1	1	Bearing	Roulement	Lager	Cojinete	
20	3443386M1	1	Retaining Plug	Bouchon	Stopfen	Tapón	
21	3484615M1	1	Guide Ring	Anneau	Ring	Aro	
22	3484055M1	1	Ring Buffer	Anneau	Ring	Aro	
23	3485185M1	1	Seal	Joint D´Arbre	Wellendichtring	Junta	
24	3487015M1	1	Wiper Ring	Anneau	Ring	Aro	
25	3441631M91	1	Piston Rod Assy	Tige De Vérin	Kolbenstange	Vástago Cilindro	
26	#ROD, PISTON	1	Rod, Piston	Rod, Piston	Rod, Piston	Rod, Piston	Ref. 23
27	3623390M1	2	Bush	Douille	Buechse	Casquillo	
28	339608X1	1	Grease Nipple - M10 X 1 (Zinc)	Nipple De Graissage	Schmiernippel	Engrasador	
29	3623397M91	1	Kit Seal	Jeu Étanchéité	Dichtringsatz	Juego De Piezas	

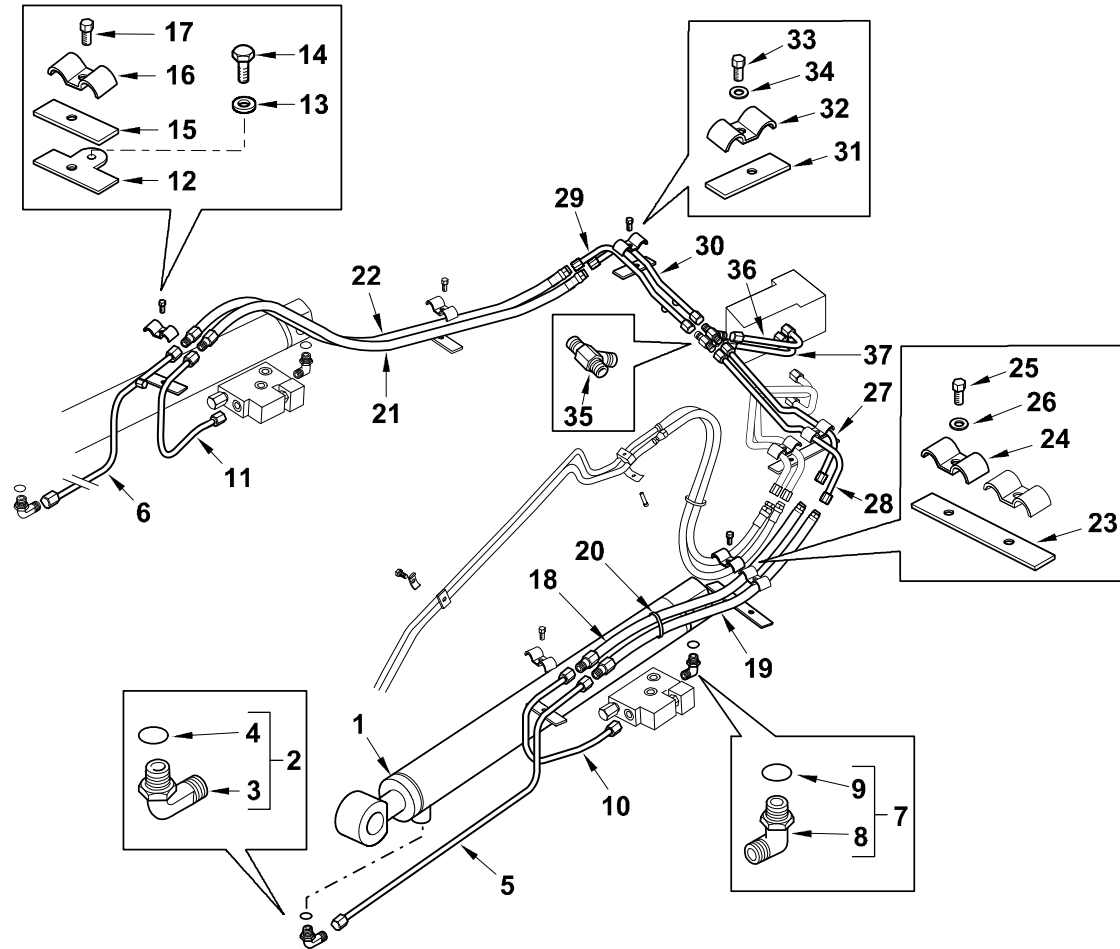




Item	Part No.	Qty.	English	French	German	Spanish	Remarks
1	6111076M91GY03	1	Cylinder Loader Bucket High Spec	Cylindre	Zylinder	Cilindro	
2	6195231M91GY03	1	Tube - S/A (Terex Grey)	Tube - S/A (Terex Grey)	Tube - S/A (Terex Grey)	Tube - S/A (Terex Grey)	
3	6195234M1	4	Bush	Bush	Bush	Bush	
4	6194542M1	2	Nipple - Grease	Graisseur Coude	Nippel	Manguito, Engrasador	
5	6195235M1	1	Ring - Cushion	Ring - Cushion	Ring - Cushion	Ring - Cushion	
6	6195236M1	1	Set Screw - Hex Socket	Set Screw - Hex Socket	Set Screw - Hex Socket	Set Screw - Hex Socket	
7	6195232M1	1	Piston	Piston	Piston	Piston	
8	6194568M1	2	Bearing - Piston	Coussinet	Lager	Teniendo - Pistón	
9	6194567M1	1	O Ring (Std)	Joint Torique	O Ring	Junta De Tipo O	
10	6194566M1	1	Seal - Piston	Joint Étanchéité	Dichtring	Junta	
11	6194554M1	1	Wiper	Essuyeur	Wischer	Raspador, Escobilla	
12	6194551M1	1	Seal- Rod (Secondary)	Joint Étanchéité	Dichtring	Junta	
13	6194638M1	1	Seal - Rod (Primary)	Joint Étanchéité	Dichtring	Junta	
14	6195233M1	1	Cover - H.E.	Cover - H.E.	Cover - H.E.	Cover - H.E.	
15	6195238M1	1	Ring - Back Up	Ring - Back Up	Ring - Back Up	Ring - Back Up	
16	6195237M1	1	O - Ring	O - Ring	O - Ring	O - Ring	
17	6194541M1	1	Bush - Bimetal	Douille	Büchse	Juego De Anillos	
18	6194549M1	1	Ring - Back Up	Contre Bague	Stutzring	ContraJunta	
19	6195193M1	1	O-Ring	O-Ring	O-Ring	O-Ring	
20	6194537M91	1	Rod - Piston	Bielle De Piston	Pleuelstange	Rod - Pistón	
21	6195239M91	1	Seal Kit	Jeu Étancheite	Dichtringsatz	Juego Retenes	



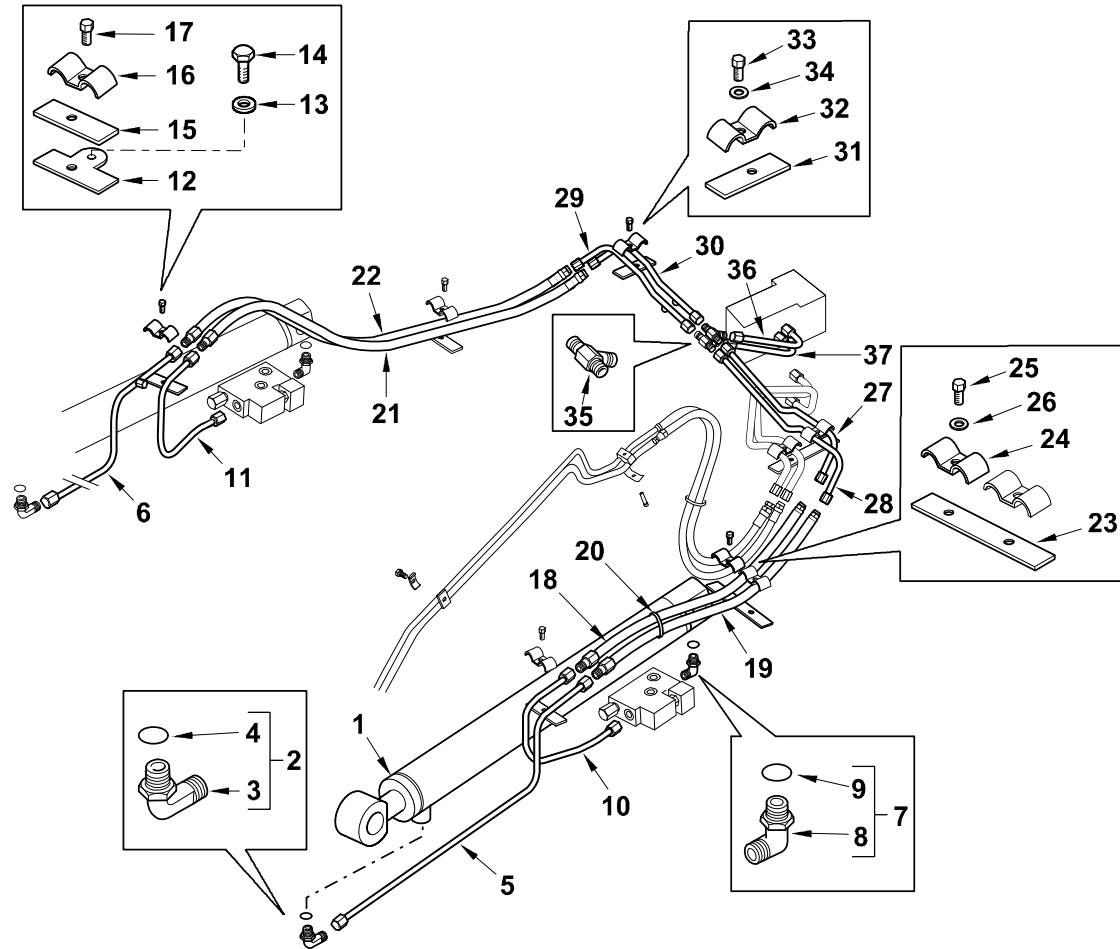
C-67012-01.1-C



Item	Part No.	Qty.	English	French	German	Spanish	Remarks
1	6109553M91	2	Cylinder - Lift High Spec	L'Hie Hydraulique	Zylinder Hydr.	Gato, Conj.	Pacoma
1	6111077M91GY03	2	Cylinder Lift High Spec	Verin Hydraulique	Hydraulikzyl	Cilindro Hidrauli	Wipro
2	835007M91	2	Elbow 90 Degree Adjust	Coude 90°	Kniestück 90°	Codo, 90°	
3	#ELBOW	1	Elbow	Elbow	Elbow	Elbow	Ref. 2
4	835024M1	1	Ring O - Boa	Joint Torique	O Ring	Junta De Tipo O	
5	6109544M91	1	Tube-Ldr Hyd	Tuyauterie	Rohrleitung Kplt	Conjunto De Tubería	Pacoma
5	6111167M91	1	Tube Assembly - Loader	Tuyauterie	Rohrleitung Kplt	Conjunto De Tubería	Wipro
6	6109548M91	1	Tube-Ldr Hyd	Tuyauterie	Rohrleitung Kplt	Conjunto De Tubería	Pacoma
6	6111169M91	1	Tube Assembly - Loader	Tuyauterie	Rohrleitung Kplt	Conjunto De Tubería	Wipro
7	835007M91	2	Elbow 90 Degree Adjust	Coude 90°	Kniestück 90°	Codo, 90°	
8	#ELBOW	1	Elbow	Elbow	Elbow	Elbow	Ref. 7
9	835024M1	1	Ring O - Boa	Joint Torique	O Ring	Junta De Tipo O	
10	6111171M91	1	Tube Assembly - Loader Hose Burst	Tuyauterie	Rohrleitung Kplt	Conjunto De Tubería	Wipro
10	6109936M91	1	Tube Assy - Loader Hose Burst	Tuyauterie	Rohrleitung Kplt	Conjunto De Tubería	Pacoma
11	6111172M91	1	Tube Assembly - Loader Hose Burst	Tuyauterie	Rohrleitung Kplt	Conjunto De Tubería	Wipro
11	6109938M91	1	Tube Assy - Loader Hose Burst	Tuyauterie	Rohrleitung Kplt	Conjunto De Tubería	Pacoma
12	6109791M91	2	Clamp Plate Assy	Ensemble De Plaque	Platte Kpl.	Placa, Conj.	
13	339374X1	2	Washer M8 -21-2 Z	Rondelle Frein - M8	Federring - M8	Arandela De Freno	
14	339123X1	2	Bolt M8-20 Z5f	Boulon M8 X 20	Maschschraube M8	Perno	
15	6106109M1	2	Pad-Neoprene	Tampon	Klotz	Placa, Caucho	
16	6101228M1	2	Clamp-Tube-Assy	Collier De Serrage	Klemme	Brida De Fijación	
17	339123X1	2	Bolt M8-20 Z5f	Boulon M8 X 20	Maschschraube M8	Perno	
18	6109919M91	1	Hose Assy - Lift Cylinder Head	Flexible Ass.	Schlauch Kplt	Flexible, Conj.	
19	6109372M91	1	Hose Assy - Lift Cylinder Rod	Flexible Ass.	Schlauch Kplt	Flexible, Conj.	
20	1876229M1	2	Tie 270mm Lk2a	Attache Câble	Kabelbinder	Enlace De Cable	
21	6109919M91	1	Hose Assy - Lift Cylinder Head	Flexible Ass.	Schlauch Kplt	Flexible, Conj.	
22	6109372M91	1	Hose Assy - Lift Cylinder Rod	Flexible Ass.	Schlauch Kplt	Flexible, Conj.	
23	6101897M1	1	Pad-Rubber	Plaque De Caoutchouc	Gummiplatte	Placa, Caucho	
24	6101228M1	2	Clamp-Tube-Assy	Collier De Serrage	Klemme	Brida De Fijación	
25	339124X1	2	Bolt M8-16 Z5f	Goupille	Maschschrb Metr - M8	Tornillo	



C-67012-01.1-C

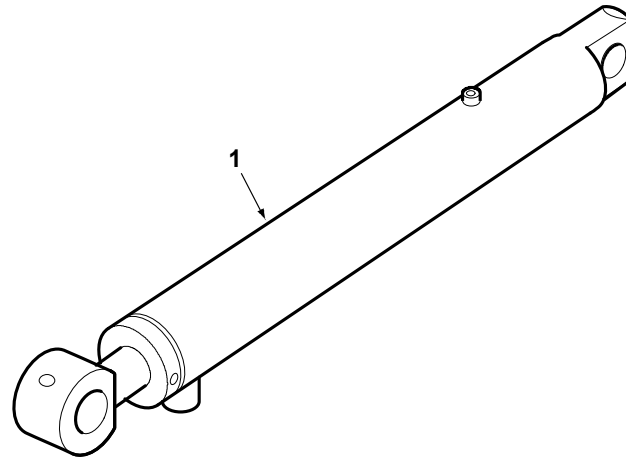




Item	Part No.	Qty.	English	French	German	Spanish	Remarks
26	390972X1	2	Washer M8-17-1 Zwl	Rondelle M8	Scheibe - M8	Arandela	
27	6109412M91	1	Tube-Ldr Hyd HD RH	Tuyauterie	Rohrleitung Kplt	Conjunto De Tubería	
28	6109414M91	1	Tube-Ldr Hyd Rod LH	Tuyauterie	Rohrleitung Kplt	Conjunto De Tubería	
29	6109416M91	1	Tube-Ldr Hyd HD RH	Tuyauterie	Rohrleitung Kplt	Conjunto De Tubería	
30	6109418M91	1	Tube-Ldr Hyd Rod LH	Tuyauterie	Rohrleitung Kplt	Conjunto De Tubería	
31	6101897M1	2	Pad-Rubber	Plaque De Caoutchouc	Gummiplatte	Placa, Caucho	
32	6101228M1	4	Clamp-Tube-Assy	Collier De Serrage	Klemme	Brida De Fijación	
33	339124X1	4	Bolt M8-16 Z5f	Goupille	Maschschrb Metr - M8	Tornillo	
34	390972X1	4	Washer M8-17-1 Zwl	Rondelle M8	Scheibe - M8	Arandela	
35	356561X1	2	Tee-Union	Te	T-Stück	Te	
36	6109428M91	1	Tube-Ldr Hyd Rod	Tuyauterie	Rohrleitung Kplt	Conjunto De Tubería	
37	6109430M91	1	Tube-Ldr Hyd HD	Tuyauterie	Rohrleitung Kplt	Conjunto De Tubería	

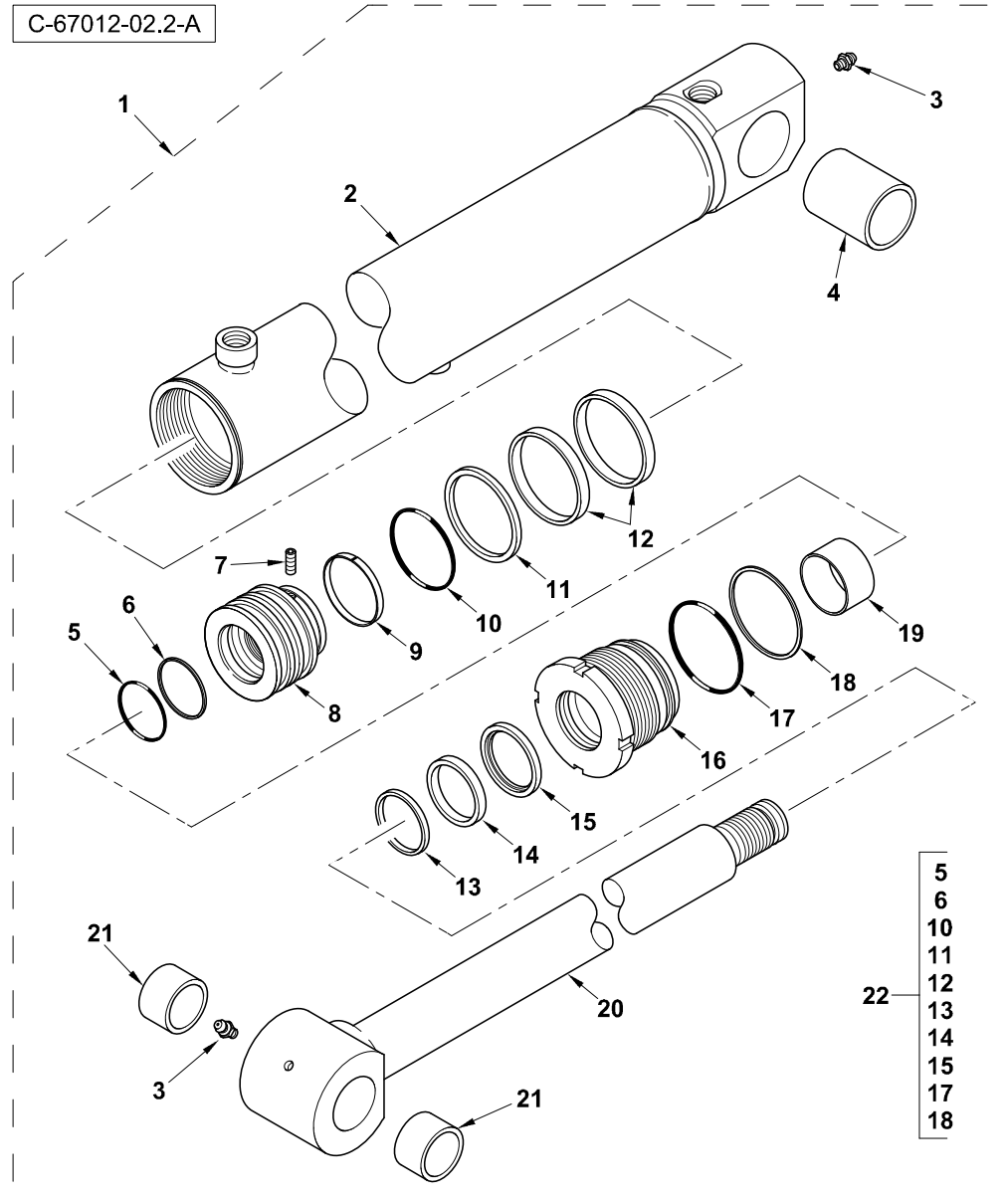


C-67012-02.1-A



Item	Part No.	Qty.	English	French	German	Spanish	Remarks
1	6109553M91	2	Cylinder - Lift High Spec	L'Hie Hydraulique	Zylinder Hydr.	Gato, Conj.	67012c01.1 1
2	#TUBE, CYLINDER	1	Tube, Cylinder	Tube, Cylinder	Tube, Cylinder	Tube, Cylinder	
3	#TUBE, CYLINDER	1	Tube, Cylinder	Tube, Cylinder	Tube, Cylinder	Tube, Cylinder	Ref. 2
4	3623322M1	1	Bush	Douille	Büchse	Anillo	
5	339608X1	1	Grease Nipple - M10 X 1 (Zinc)	Nipple De Graissage	Schmiernippel	Engrasador	
6	3485892M1	1	Guide Ring Piston	Bague D'Étanchéité	Dichtungsring	Anillo, Estanqueidad	
7	3485245M91	1	Seal Assy Piston	Joint Ass.	Dichtung Kplt	Junta, Conj.	
8	3485892M1	1	Guide Ring Piston	Bague D'Étanchéité	Dichtungsring	Anillo, Estanqueidad	
9	3402928M1	1	Screw, Socket Head - Piston Locating	Vis Tête Hex	Zylinderschraube	Tornillo	
10	3487180M1	1	Piston	Piston	Kolben	Pistón De Gato	
11	359183X1	1	O-Ring	Joint Torique	O-Ring	Junta De Tipo O	
12	359193X1	1	O-Ring	Joint Torique	O-Ring	Junta De Tipo O	
13	1606735M1	1	Ring Back-Up	Contre Bague	Stützring	ContraJunta	
14	3623641M1	1	O-Ring	Joint Torique	O-Ring	Junta De Tipo O	
15	3443550M1	1	Ring Rod Guide	Anneau	Ring	Aro	
16	5002159M1	1	Bearing	Roulement	Lager	Palier De Gato	
17	3403067M1	1	Seal	Joint D'Arbre	Wellendichtring	Anillo, Estanqueidad	
18	1606058M1	1	Wiper Ring	Joint De Racleur	Abstreifdichtung	Junta Raspador	
19	3441920M91	1	Piston Rod Assy	Tige De Vérin	Kolbenstange	Vástago Cilindro	
20	#ROD, PISTON	1	Rod, Piston	Rod, Piston	Rod, Piston	Rod, Piston	Ref. 19
21	3623323M1	2	Bush	Douille	Büchse	Anillo	
22	339608X1	1	Grease Nipple - M10 X 1 (Zinc)	Nipple De Graissage	Schmiernippel	Engrasador	
23	5001975M91	1	Kit Seal	Jeu Étanchéité	Dichtringsatz	Juego De Juntas	

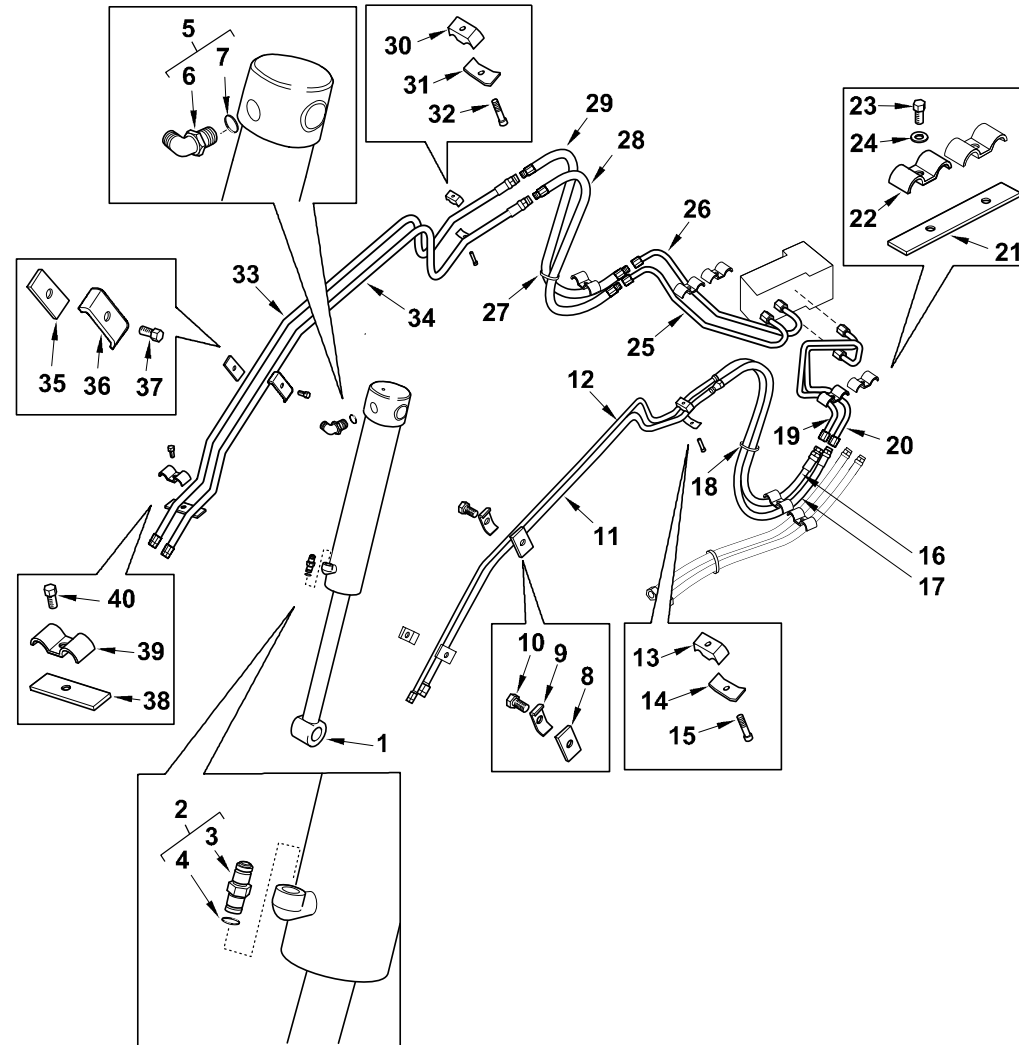




Item	Part No.	Qty.	English	French	German	Spanish	Remarks
1	6111077M91GY03	1	Cylinder Lift High Spec	Verin Hydraulique	Hydraulikzyl	Cilindro Hidrauli	
2	6195241M91GY03	1	Tube - S/A (Terex Grey)	Tube - S/A (Terex Grey)	Tube - S/A (Terex Grey)	Tube - S/A (Terex Grey)	
3	6194542M1	2	Nipple - Grease	Graisseur Coude	Nippel	Manguito, Engrasador	
4	6195244M1	1	Bush	Bush	Bush	Bush	
5	6195247M1	1	O - Ring	O - Ring	O - Ring	O - Ring	
6	6194570M1	1	Ring - Back Up	Contre Bague	Stutzring	ContraJunta	
7	6194619M1	1	Set Screw	Vis	Schraube	Tornillo De Ajuste	
8	6195242M1	1	Piston	Piston	Piston	Piston	
9	6195246M1	1	Ring - Snap	Ring - Snap	Ring - Snap	Ring - Snap	
10	6195186M1	1	O-Ring	O-Ring	O-Ring	O-Ring	
11	6194635M1	1	Seal - Piston	Joint Étanchéité	Dichtring	Junta	
12	6194634M1	2	Bearing - Piston	Coussinet	Lager	Teniendo - Pistón	
13	6194590M1	1	Wiper	Essuyeur	Wischer	Raspador, Escobilla	
14	6194589M1	1	Seal - Rod	Joint Étanchéité	Dichtring	Junta	
15	6194588M1	1	Seal - Rod (Primary)	Joint Étanchéité	Dichtring	Junta	
16	6195243M1	1	Cover - H.E.	Cover - H.E.	Cover - H.E.	Cover - H.E.	
17	6195189M1	1	O-Ring	O-Ring	O-Ring	O-Ring	
18	6194641M1	1	Ring - Back Up	Contre Bague	Stutzring	ContraJunta	
19	6194593M1	1	Bush - Bimetal	Douille	Büchse	Juego De Anillos	
20	6194537M91	1	Rod - Piston	Bielle De Piston	Pleuelstange	Rod - Pistón	
21	6195245M1	2	Bush	Bush	Bush	Bush	
22	6195248M91	1	Seal Kit	Seal Kit	Seal Kit	Seal Kit	



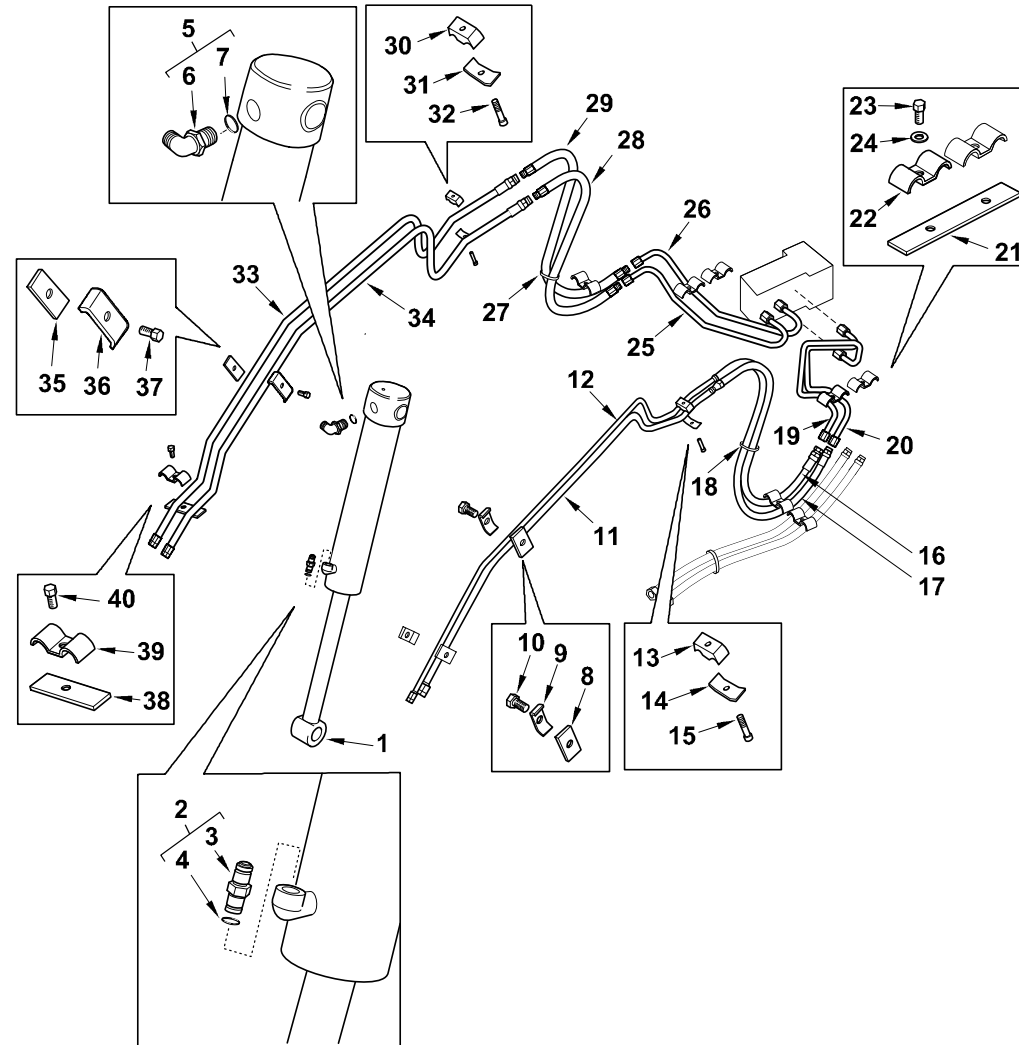
C-67012-03.1-B



Item	Part No.	Qty.	English	French	German	Spanish	Remarks
1	6111076M91GY03	1	Cylinder Loader Bucket High Spec	Cylindre	Zylinder	Cilindro	Wipro
1	5000120M91	1	Cylinder Loader Bucket - Hi Spec	L' Hie Hydraulique	Zylinder Hydr.	Gato, Conj.	Pacoma
2	835013M91	1	Connector 7/8 Jic	Raccord	Schraubanschluss	Conexión, Conj.	
3	#UNION	1	Union	Union	Union	Union	Ref. 2
4	835024M1	1	Ring O - Boa	Joint Torique	O Ring	Junta De Tipo O	
5	835007M91	1	Elbow 90 Degree Adjust	Coude 90°	Kniestück 90°	Codo, 90°	
6	#ELBOW	1	Elbow	Elbow	Elbow	Elbow	Ref. 6
7	835024M1	1	Ring O - Boa	Joint Torique	O Ring	Junta De Tipo O	
8	6106109M1	2	Pad-Neoprene	Tampon	Klotz	Placa, Caucho	
9	6101228M1	2	Clamp-Tube-Assy	Collier De Serrage	Klemme	Brida De Fijación	
10	339123X1	2	Bolt M8-20 Z5f	Boulon M8 X 20	Maschschraube M8	Perno	
11	6102461M91	1	Tube Assy	Tuyauterie	Rohrleitung Kplt	Conjunto De Tubería	
12	6102463M91	1	Tube Assy	Tuyauterie	Rohrleitung Kplt	Conjunto De Tubería	
13	3520528M2	1	Clamp Block Ldr Beam	Collier De Serrage	Klemme	Argolla De Cierre	
14	3520534M1	1	Clamp (Zinc Plated)	Collier De Serrage	Klemme	Brida De Fijación	
15	339291X1	1	Bolt M8-55 Z5s	Goupille	Bolzen M8 X 55	Tornillo	
16	6109793M91	1	Hose Assy - Bucket Cyl Rod	Flexible Ass.	Schlauch Kplt	Flexible, Conj.	
17	6109543M91	1	Hose Assy - Bkt Cylinder Head	Flexible Ass.	Schlauch Kplt	Flexible, Conj.	
18	1876229M1	1	Tie 270mm Lk2a	Attache Câble	Kabelbinder	Enlace De Cable	
19	6109420M91	1	Tube-Ldr Hyd Bucket Rod	Tuyauterie	Rohrleitung Kplt	Conjunto De Tubería	
20	6109422M91	1	Tube-Ldr Hyd Bucket HD	Tuyauterie	Rohrleitung Kplt	Conjunto De Tubería	
21	6101897M1	1	Pad-Rubber	Plaque De Caoutchouc	Gummiplatte	Placa, Caucho	
22	6101228M1	2	Clamp-Tube-Assy	Collier De Serrage	Klemme	Brida De Fijación	
23	339124X1	2	Bolt M8-16 Z5f	Goupille	Maschschrb Metr - M8	Tornillo	
24	390972X1	2	Washer M8-17-1 Zwel	Rondelle M8	Scheibe - M8	Arandela	
25	6109424M93	1	Tube Assembly - Loader Hyd 7 In 1 HD	Ensemble Tube	Rohr Kpl	Conjunto De Tubería	
26	6109426M92	1	Tube Assy (7 In 1 Rod)	Tuyauterie	Rohr Kpl	Conjunto De Tubería	
27	1876229M1	1	Tie 270mm Lk2a	Attache Câble	Kabelbinder	Enlace De Cable	
28	6109804M91	1	Hose Assy - 7 In 1 Inner	Ensemble Durit	Schlauch Kpl	Flexible, Conj.	
29	6109920M91	1	Hose Assy - 7 In 1 Outer	Ensemble Durit	Schlauch Kpl	Flexible, Conj.	



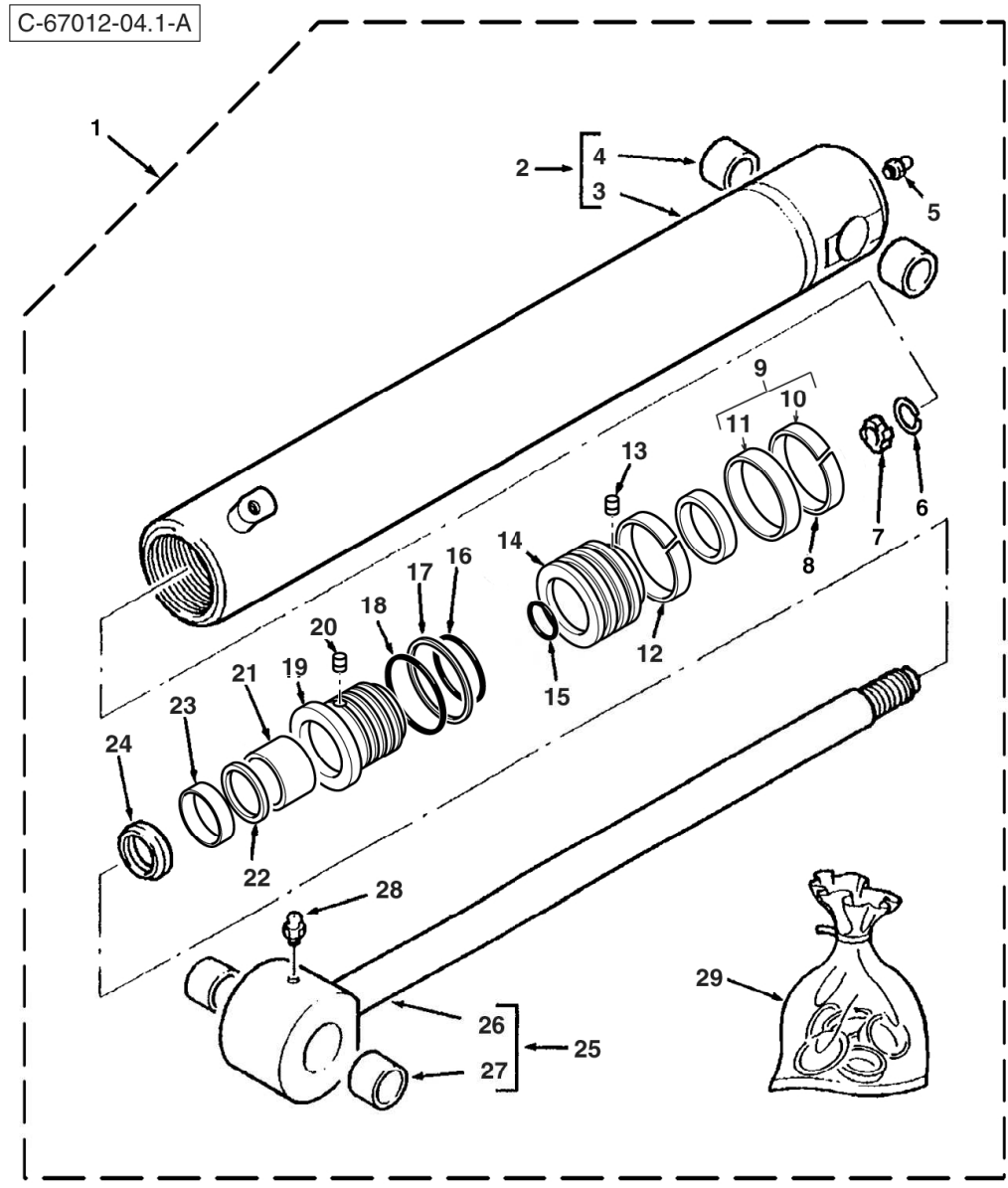
C-67012-03.1-B





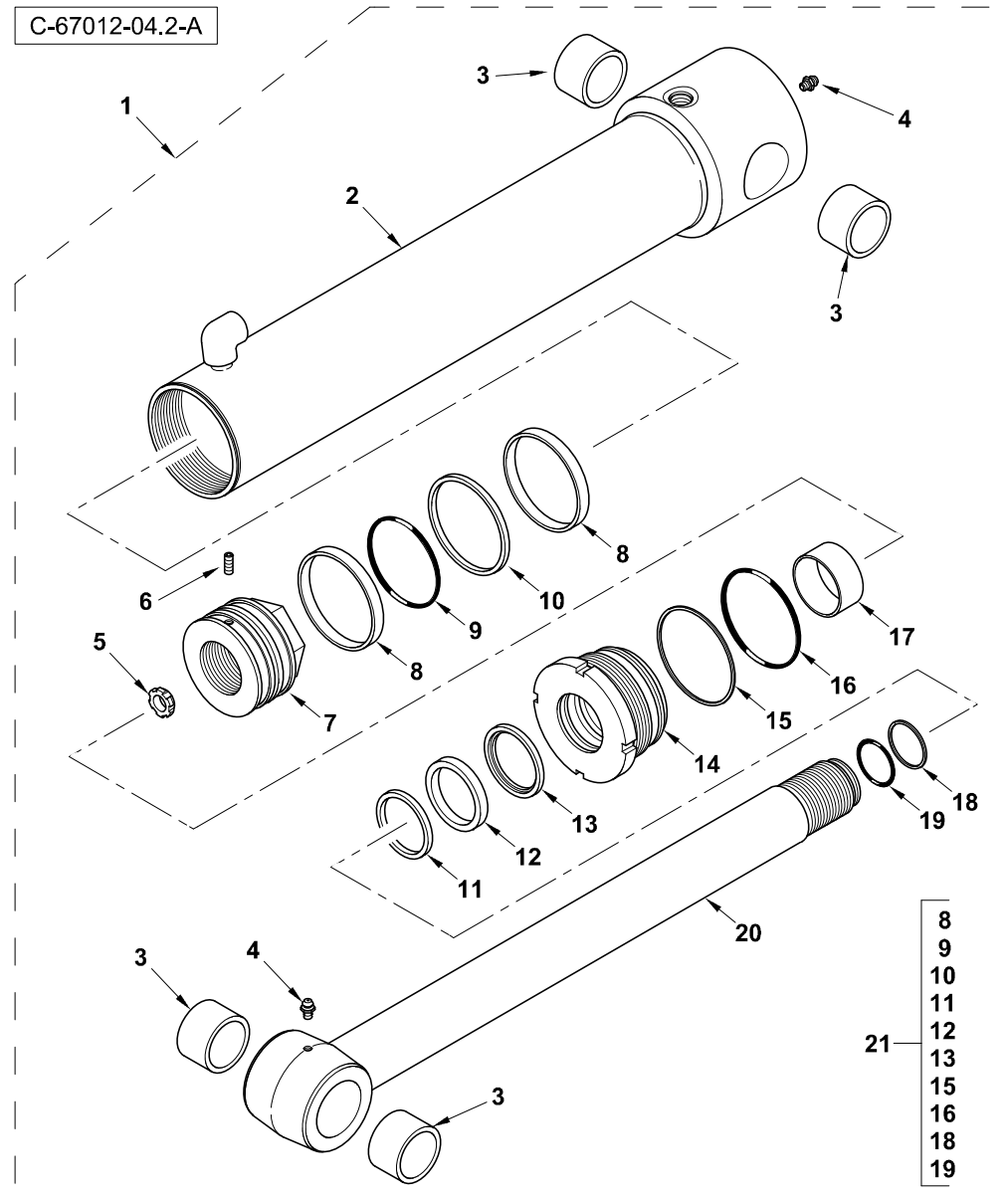
Item	Part No.	Qty.	English	French	German	Spanish	Remarks
30	3520538M2	1	Clamp Block Ldr Beam	Collier De Serrage	Klemme	Argolla De Cierre	
31	3520534M1	1	Clamp (Zinc Plated)	Collier De Serrage	Klemme	Brida De Fijación	
32	339291X1	1	Bolt M8-55 Z5s	Goupille	Bolzen M8 X 55	Tornillo	
33	6101236M91	1	Tube-Assy Bucket 7 In 1	Tuyauterie	Rohrleitung Kplt	Conjunto De Tubería	
34	6101234M91	1	Tube-Assy 7 In 1 Bucket	Tuyauterie	Rohrleitung Kplt	Conjunto De Tubería	
35	6106109M1	1	Pad-Neoprene	Tampon	Klotz	Placa, Caucho	
36	6101228M1	1	Clamp-Tube-Assy	Collier De Serrage	Klemme	Brida De Fijación	
37	339123X1	1	Bolt M8-20 Z5f	Boulon M8 X 20	Maschschraube M8	Perno	
38	6106109M1	1	Pad-Neoprene	Tampon	Klotz	Placa, Caucho	
39	6101228M1	1	Clamp-Tube-Assy	Collier De Serrage	Klemme	Brida De Fijación	
40	339009X1	1	Bolt - M8 X 35	Boulon M8 X 35	Maschschraube M8	Tornillo	
41	356447X1	2	Plug 37 Flare	Bouchon	Stopfen	Obturador	





Item	Part No.	Qty.	English	French	German	Spanish	Remarks
1	5000120M91	1	Cylinder Loader Bucket - Hi Spec	L´Hie Hydraulique	Zylinder Hydr.	Gato, Conj.	67012c03.1 1
2	5003936M91	1	Barrel Cylinder	Ensemble De Vérin	Zylinder Kpl.	Gato, Conj.	
3	#TUBE, CYLINDER	1	Tube, Cylinder	Tube, Cylinder	Tube, Cylinder	Tube, Cylinder	Ref. 3
4	3623390M1	2	Bush	Douille	Buechse	Casquillo	
5	339608X1	1	Grease Nipple - M10 X 1 (Zinc)	Nipple De Graissage	Schmiernippel	Engrasador	
6	3186587M1	1	Snap Ring	Anneau D´Arrêt	Sprengring	Anillo De Resorte	
7	3186586M1	1	Ring Cushioning	Anneau	Ring	Aro	
8	3442376M1	1	Ring Piston Guide	Anneau	Ring	Aro	
9	3485249M91	1	Seal Piston	Joint	Dichtung	Junta	
10	#SEAL	1	Seal	Joint Étanchéité	Dichtring	Retén	Ref. 9
11	#SEAL	1	Seal	Joint Étanchéité	Dichtring	Retén	Ref. 9
12	3442376M1	1	Ring Piston Guide	Anneau	Ring	Aro	
13	3402928M1	1	Screw, Socket Head - Piston Locating	Vis Tête Hex	Zylinderschraube	Tornillo	
14	3485147M1	1	Piston	Piston	Kolben	Pistón	
15	359186X1	1	O-Ring	Joint Torique	O-Ring	Junta De Tipo O	
16	359201X1	1	O Ring	Joint Torique	O Ring	Junta De Tipo O	
17	1024334M1	1	Ring, Back-Up	Contre Bague	Stuetzring	Aro	
18	3487909M1	1	O-Ring	Joint Torique	O-Ring	Junta De Tipo O	
19	5003941M1	1	Bearing	Roulement	Lager	Cojinete	
20	3443386M1	1	Retaining Plug	Bouchon	Stopfen	Tapón	
21	3484615M1	1	Guide Ring	Anneau	Ring	Aro	
22	3484055M1	1	Ring Buffer	Anneau	Ring	Aro	
23	3485185M1	1	Seal	Joint D´Arbre	Wellendichtring	Junta	
24	3487015M1	1	Wiper Ring	Anneau	Ring	Aro	
25	3441631M91	1	Piston Rod Assy	Tige De Vérin	Kolbenstange	Vástago Cilindro	
26	#ROD, PISTON	1	Rod, Piston	Rod, Piston	Rod, Piston	Rod, Piston	Ref. 23
27	3623390M1	2	Bush	Douille	Buechse	Casquillo	
28	339608X1	1	Grease Nipple - M10 X 1 (Zinc)	Nipple De Graissage	Schmiernippel	Engrasador	
29	3623397M91	1	Kit Seal	Jeu Étanchéité	Dichtringsatz	Juego De Piezas	

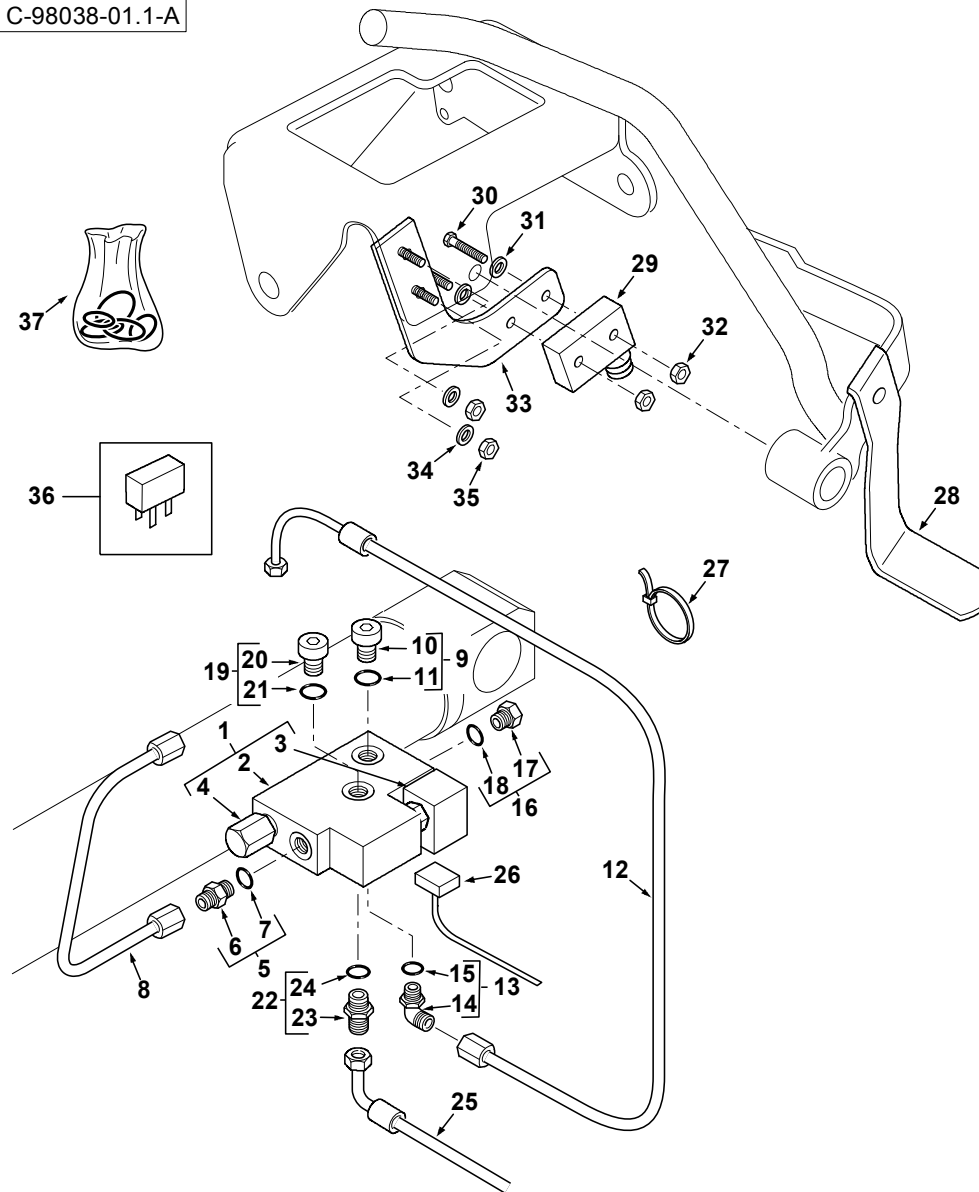




Item	Part No.	Qty.	English	French	German	Spanish	Remarks
1	6111076M91GY03	1	Cylinder Loader Bucket High Spec	Cylindre	Zylinder	Cilindro	
2	6195231M91GY03	1	Tube - S/A (Terex Grey)	Tube - S/A (Terex Grey)	Tube - S/A (Terex Grey)	Tube - S/A (Terex Grey)	
3	6195234M1	4	Bush	Bush	Bush	Bush	
4	6194542M1	2	Nipple - Grease	Graisseur Coude	Nippel	Manguito, Engrasador	
5	6195235M1	1	Ring - Cushion	Ring - Cushion	Ring - Cushion	Ring - Cushion	
6	6195236M1	1	Set Screw - Hex Socket	Set Screw - Hex Socket	Set Screw - Hex Socket	Set Screw - Hex Socket	
7	6195232M1	1	Piston	Piston	Piston	Piston	
8	6194568M1	2	Bearing - Piston	Coussinet	Lager	Teniendo - Pistón	
9	6194567M1	1	O Ring (Std)	Joint Torique	O Ring	Junta De Tipo O	
10	6194566M1	1	Seal - Piston	Joint Étanchéité	Dichtring	Junta	
11	6194554M1	1	Wiper	Essuyeur	Wischer	Raspador, Escobilla	
12	6194551M1	1	Seal- Rod (Secondary)	Joint Étanchéité	Dichtring	Junta	
13	6194638M1	1	Seal - Rod (Primary)	Joint Étanchéité	Dichtring	Junta	
14	6195233M1	1	Cover - H.E.	Cover - H.E.	Cover - H.E.	Cover - H.E.	
15	6195238M1	1	Ring - Back Up	Ring - Back Up	Ring - Back Up	Ring - Back Up	
16	6195237M1	1	O - Ring	O - Ring	O - Ring	O - Ring	
17	6194541M1	1	Bush - Bimetal	Douille	Büchse	Juego De Anillos	
18	6194549M1	1	Ring - Back Up	Contre Bague	Stutzring	ContraJunta	
19	6195193M1	1	O-Ring	O-Ring	O-Ring	O-Ring	
20	6194537M91	1	Rod - Piston	Bielle De Piston	Pleuelstange	Rod - Pistón	
21	6195239M91	1	Seal Kit	Jeu Étancheite	Dichtringsatz	Juego Retenes	



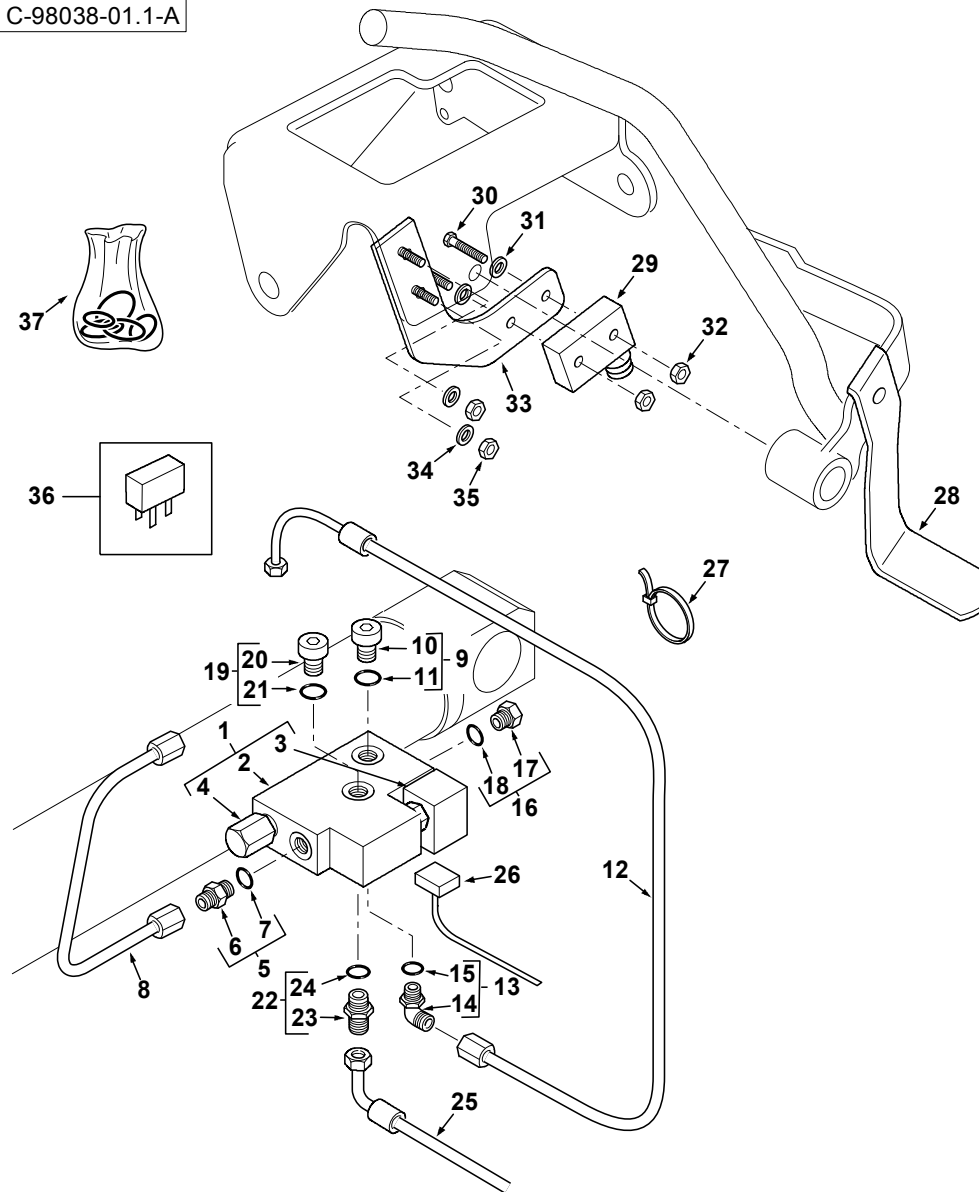
C-98038-01.1-A



Item	Part No.	Qty.	English	French	German	Spanish	Remarks
1	6109880M91	2	Valve - Hose Burst Loader	Soupape Verrouillage	Sperrventil	Válvula De Bloqueo.	
2	#VALVE	1	Valve	Soupape	Ventil	Válvula	Ref. 1
3	6193308M91	1	Cartridge Assy	Cartouche	Einsatz Kplt	Cartucho	
4	6193173M91	1	Coil - Solenoid Valves	Bobine	Wicklung	Bobina, Conj.	
5	835013M91	2	Connector 7/8 Jic	Raccord	Schraubanschluss	Conexión, Conj.	
6	#CONNECTOR	1	Connector	Connector	Connector	Connector	Ref. 5
7	835024M1	1	Ring O - Boa	Joint Torique	O Ring	Junta De Tipo O	
8	#TUBE ASSY	1	Tube Assy	Tube Assy	Tube Assy	Tube Assy	Hose Burst
9	373772M91	2	Plug 9/16 Round	Bouchon	Stopfen	Tapón, Conj.	
10	#PLUG	1	Plug	Plug	Plug	Plug	Ref. 9
11	831452M1	1	O Ring (Pack Of 10)	Joint Torique	O Ring	Junta De Tipo O	
12	6109922M91	2	Hose Assy - Pilot Loader Hose Burst	Flexible Ass.	Schlauch Kpl	Flexible, Conj.	
13	357197X91	2	Elbow & O Ring	Coude	Kniestück, 90°	Codo, 90°	
14	#ELBOW	1	Elbow	Elbow	Elbow	Elbow	Ref. 10
15	831452M1	1	O Ring (Pack Of 10)	Joint Torique	O Ring	Junta De Tipo O	
16	6109935M91	2	Connector - Swivel 7/8jicm X 7/8jicf	Ensemble Connexion	Doppelnippel	Conexión, Conj.	
17	#CONNECTOR	1	Connector	Connector	Connector	Connector	Ref. 16
18	835024M1	1	Ring O - Boa	Joint Torique	O Ring	Junta De Tipo O	
19	373772M91	2	Plug 9/16 Round	Bouchon	Stopfen	Tapón, Conj.	
20	#PLUG	1	Plug	Plug	Plug	Plug	Ref. 19
21	831452M1	1	O Ring (Pack Of 10)	Joint Torique	O Ring	Junta De Tipo O	
22	6109947M91	2	Restrictor 9/16"	Réduction	Reduzierstück	Reducción	
23	#RESTRICTOR	1	Restrictor	Restrictor	Restrictor	Restrictor	Ref. 22
24	831452M1	1	O Ring (Pack Of 10)	Joint Torique	O Ring	Junta De Tipo O	
25	6109923M91	1	Hose Assy - Loader Hb Equal	Flexible Ass.	Schlauch Kpl	Flexible, Conj.	
26	6102074M91	1	Harness-Hose Burst	Faisceau	Beschirring	Haz	
27	1664405M1	12	Tie Mm T50s	Attache Cable	Kabelbinder	Enlace De Cable	
28	6109603M1	1	Actuator Switch - Hose Burst Loader	Vérin	Steuermechanismus	Mecanismo De Mando	
29	6102075M91	1	Switch, Micro - Hose Burst	Ensemble Commutat.	Mikroschalter	Conmutador, Conj.	
30	3522433M2	2	Bolt M3-35 Hex	Boulon M3 X 35	Maschschraube M3	Tornillo	



C-98038-01.1-A

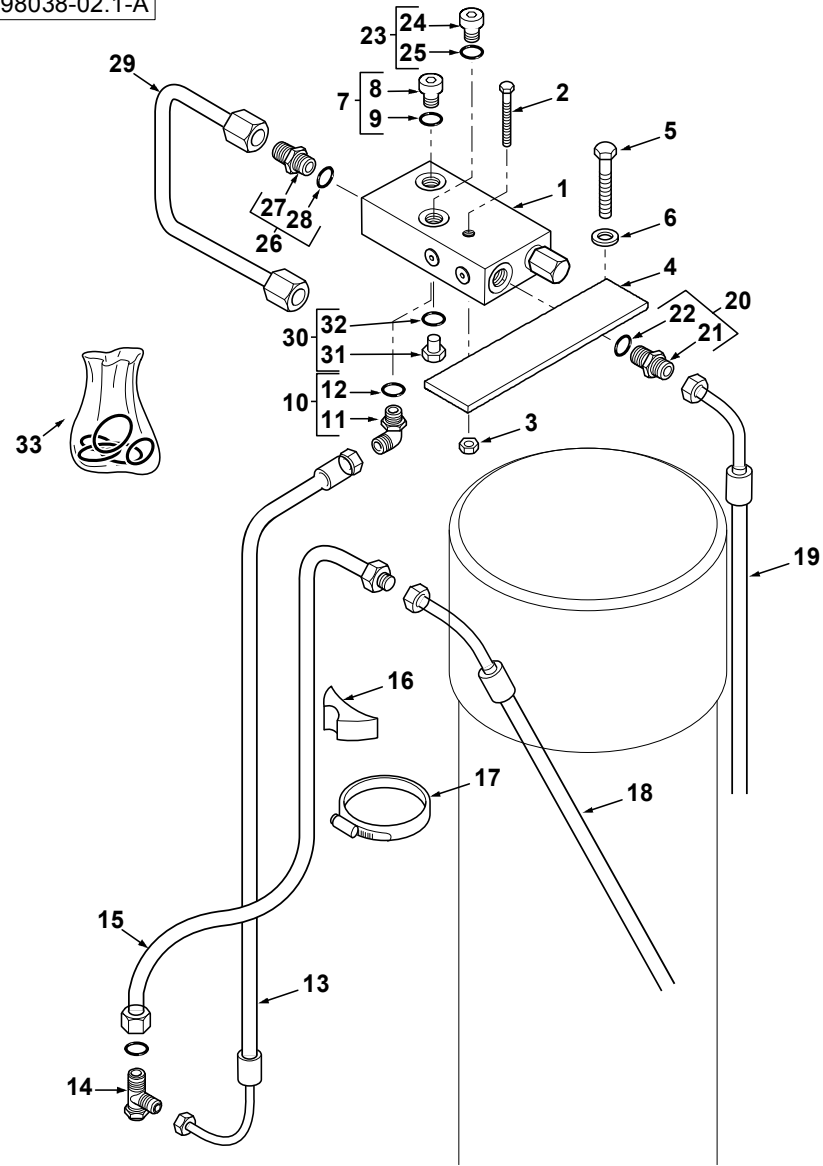




Item	Part No.	Qty.	English	French	German	Spanish	Remarks
31	390752X1	2	Washer - M3	Rondelle	Unterlegscheibe - M3	Arandela	
32	391216X1	2	Nut Nyloc M3	Ecrou Blocage M3	Flachmutter M3	Tuerca	
33	6109602M91	1	Plate - Switch Hose Burst Loader W/Assy	Plaque	Platte	Placa, Conj.	
34	390469X1	2	Washer M5	Rondelle	Scheibe - M5	Arandela	
35	3005823X1	2	Nut Plain M5	Ecrou	Mutter - M5	Tuerca	
36	6102490M1	1	Relay-Micro	Relais	Relais	Relé	
37	6194037M91	0	Seal Kit	Jeu Etancheite	Dichtringsatz	Juego De Juntas	



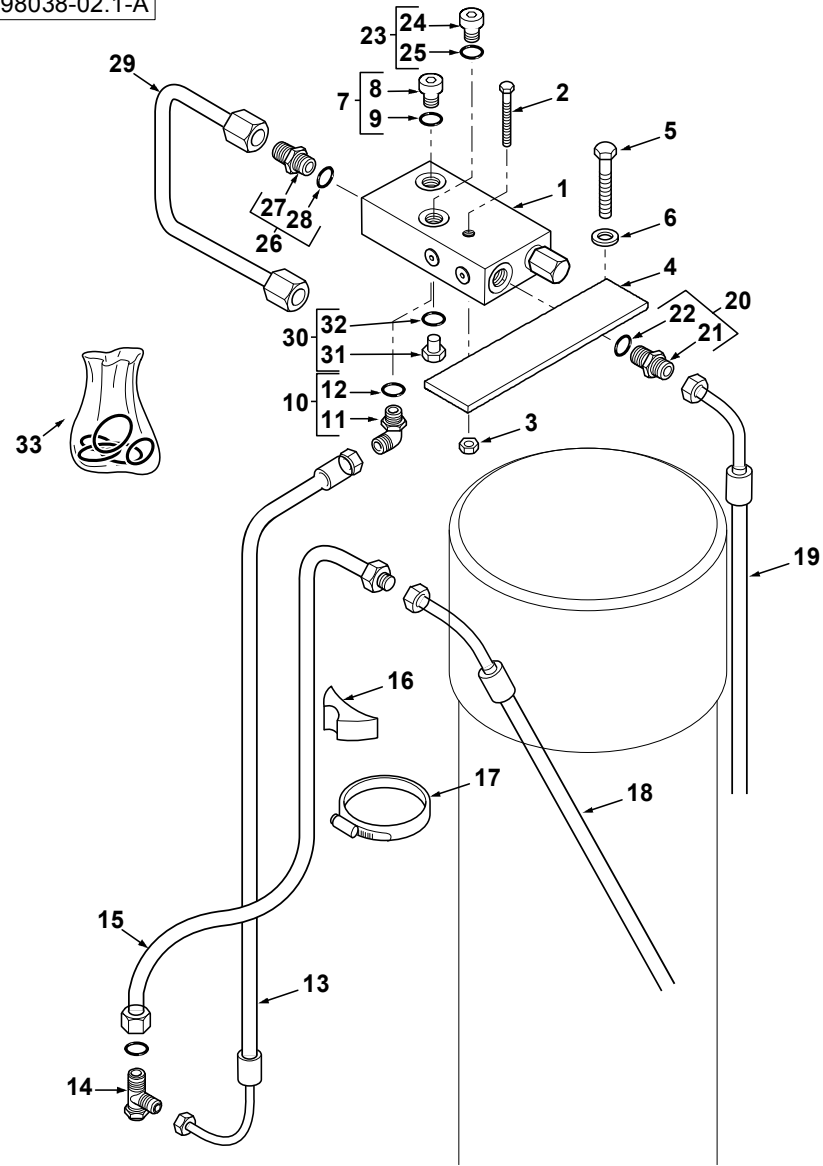
C-98038-02.1-A



Item	Part No.	Qty.	English	French	German	Spanish	Remarks
1	6109881M91	1	Valve - Hose Burst Loader Bucket	Soupape Verrouillage	Sperrventil	Válvula De Bloqueo.	
2	339368X1	2	Bolt M8-60 Z5s	Goupille	Bolzen - M8 X 60	Perno	
3	394367X1	2	Nut, Hex. - Nyloc, M8	Ecrou Blocage M8	Flachmutter - M8	Tuerca De Retención	
4	6109958M1	1	Plate - Hose Burst Valve	Plaque	Platte	Placa	
5	3009505X1	2	Hex. Bolt, M12 X 25 - Coarse	Boulon	Bolzen M12 X 25	Perno	
6	390735X1	2	Washer M12-24-2 Z	Rondelle	Scheibe - M12	Arandela	
7	373772M91	1	Plug 9/16 Round	Bouchon	Stopfen	Tapón, Conj.	
8	#PLUG	1	Plug	Plug	Plug	Plug	Ref. 8
9	831452M1	1	O Ring (Pack Of 10)	Joint Torique	O Ring	Junta De Tipo O	
10	358781X91	1	Elbow 45 Deg 4ws	Coude 135°	Winkelstück 135°	Codo, 45°	
11	#ELBOW	1	Elbow	Elbow	Elbow	Elbow	Ref. 10
12	831452M1	1	O Ring (Pack Of 10)	Joint Torique	O Ring	Junta De Tipo O	
13	6102015M91	1	Hose-Pilot Pressure	Flexible	Schlauch	Flexible, Conj.	
14	6102014M91	1	Tee-Hose Burst	Raccord	T Stuck	Te	
15	6106232M91	1	Tube-Ldr Bucket Cyl Rod	Tuyo	Leitung Kpl	Conjunto De Tubería	
16	L79937	1	Spacer	Selle	Sattel	Traviesa	
17	3517734M1	1	Clamp Hose 140-160	Collier De Serrage	Halteschelle	Argolla De Cierre	
18	6102383M91	1	Hose-Bucket Cylinder Rod	Flexible Ass.	Schlauch Kpl	Flexible, Conj.	
19	6106233M92	1	Hose-Hose Burst	Flexible	Schlauch	Flexible, Conj.	
20	835013M91	1	Connector 7/8 Jic	Raccord	Schraubanschluss	Conexión, Conj.	
21	#CONNECTOR	1	Connector	Connector	Connector	Connector	Ref. 20
22	835024M1	1	Ring O - Boa	Joint Torique	O Ring	Junta De Tipo O	
23	373772M91	1	Plug 9/16 Round	Bouchon	Stopfen	Tapón, Conj.	
24	#PLUG	1	Plug	Plug	Plug	Plug	Ref. 23
25	831452M1	1	O Ring (Pack Of 10)	Joint Torique	O Ring	Junta De Tipo O	
26	835013M91	1	Connector 7/8 Jic	Raccord	Schraubanschluss	Conexión, Conj.	
27	#CONNECTOR	1	Connector	Connector	Connector	Connector	Ref. 26
28	835024M1	1	Ring O - Boa	Joint Torique	O Ring	Junta De Tipo O	
29	6109956M91	1	Tube Assy - Hose Burst Bucket	Tuyauterie	Rohr Kpl	Conjunto De Tubería	
30	835087M91	1	Plug 9/16"	Bouchon	Stopfen	Tapón, Conj.	



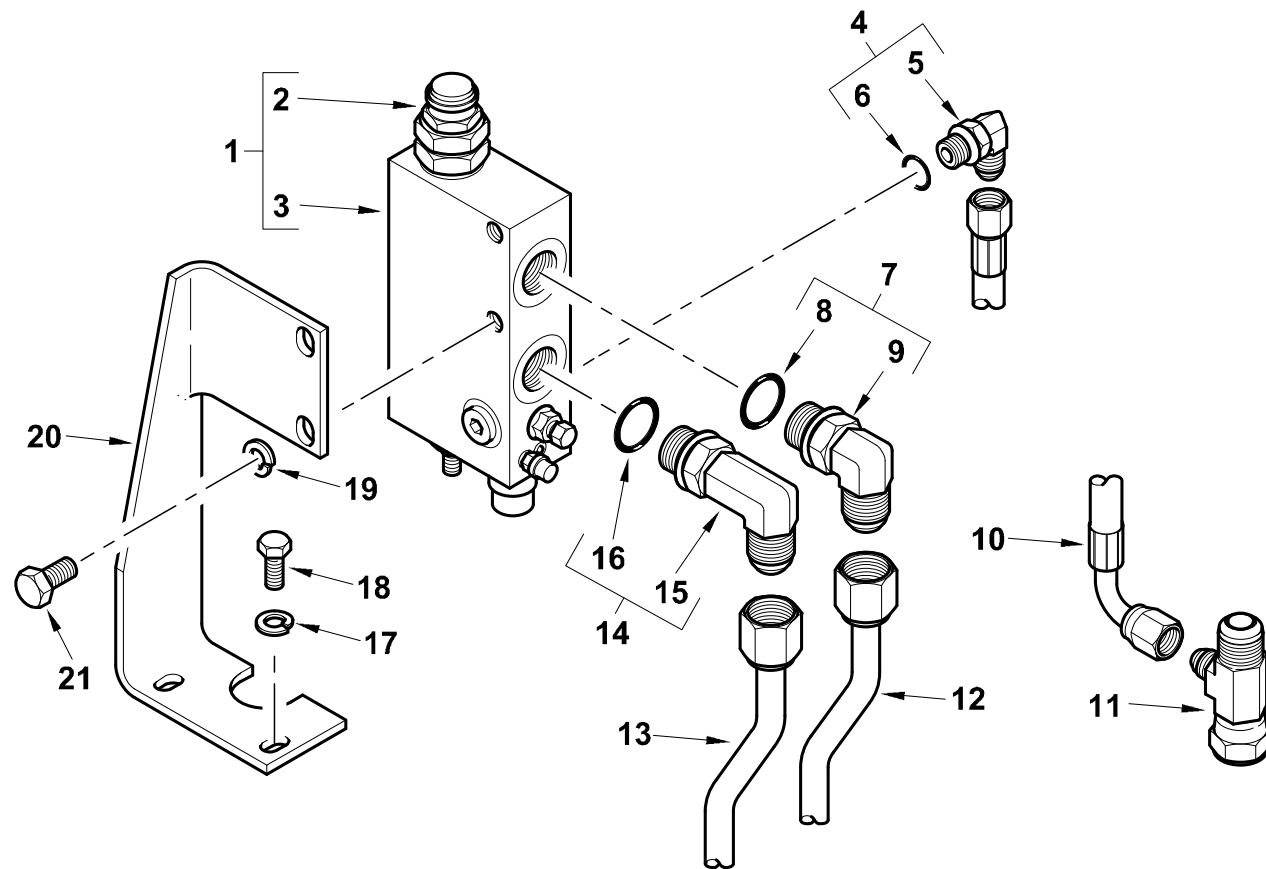
C-98038-02.1-A



<b>Item</b>	<b>Part No.</b>	<b>Qty.</b>	<b>English</b>	<b>French</b>	<b>German</b>	<b>Spanish</b>	<b>Remarks</b>
31	#PLUG	1	Plug	Plug	Plug	Plug	Ref. 30
32	831452M1	1	O Ring (Pack Of 10)	Joint Torique	O Ring	Junta De Tipo O	
33	6194038M91	0	Seal Kit	Jeu Etancheite	Dichtringsatz	Juego De Juntas	



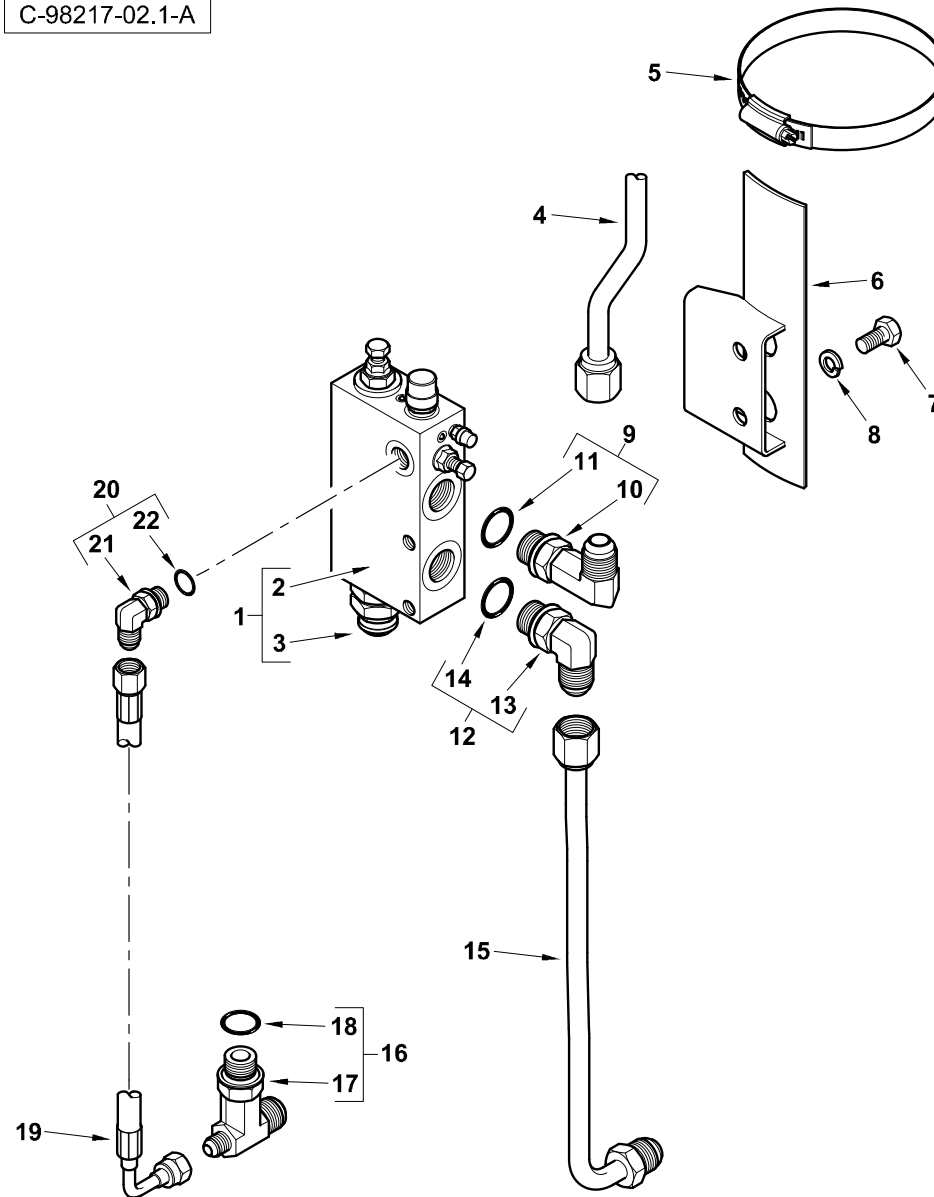
C-98217-01.1-A



Item	Part No.	Qty.	English	French	German	Spanish	Remarks
1	6111244M91	1	Valve - Hose Burst Boom	Soupape	Ventil	Válvula De Bloqueo.	
2	#VALVE	1	Valve	Soupape	Ventil	Válvula	Ref. 1
3	#CARTRIDGE	1	Cartridge	Cartridge	Cartridge	Cartridge	Ref. 1
4	357197X91	1	Elbow & O Ring	Coude	Kniestück, 90°	Codo, 90°	
5	#ELBOW	1	Elbow	Elbow	Elbow	Elbow	Ref. 4
6	831452M1	1	O Ring (Pack Of 10)	Joint Torique	O Ring	Junta De Tipo O	
7	835007M91	1	Elbow 90 Degree Adjust	Coude 90°	Kniestück 90°	Codo, 90°	
8	#ELBOW	1	Elbow	Elbow	Elbow	Elbow	Ref. 7
9	835024M1	1	Ring O - Boa	Joint Torique	O Ring	Junta De Tipo O	
10	6109247M91	1	Hose Assy - Orb To S-Cyl LH	Flexible Ass.	Schlauch Kplt	Flexible, Conj.	
11	6102014M91	1	Tee-Hose Burst	Raccord	T Stuck	Te	
12	6101966M91	1	Hose-Boom Cyl Hose Hose	Flexible Ass.	Schlauch Kplt	Flexible, Conj.	
13	#TUBE	1	Tube	Tube	Tube	Tube	Boom Cylinder
14	6101624M91	1	Elbow 90deg-Long	Coude À 90°	Winkelstuck	Codo, 90°	
15	#ELBOW	1	Elbow	Elbow	Elbow	Elbow	Ref. 14
16	835024M1	1	Ring O - Boa	Joint Torique	O Ring	Junta De Tipo O	
17	339374X1	2	Washer M8 -21-2 Z	Rondelle Frein - M8	Federring - M8	Arandela De Freno	
18	339123X1	2	Bolt M8-20 Z5f	Boulon M8 X 20	Maschschraube M8	Perno	
19	390734X1	2	Washer M10-21-2 Z	Rondelle - M10	Unterlegscheibe	Arandela	
20	3009491X1	2	Bolt M10 X 20	Boulon	Maschschraube M10	Tornillo	
21	6101960M1	1	Bracket-Boom Cyl Valve	Support	Haltevorrichtung	Pata De Fijación	



C-98217-02.1-A

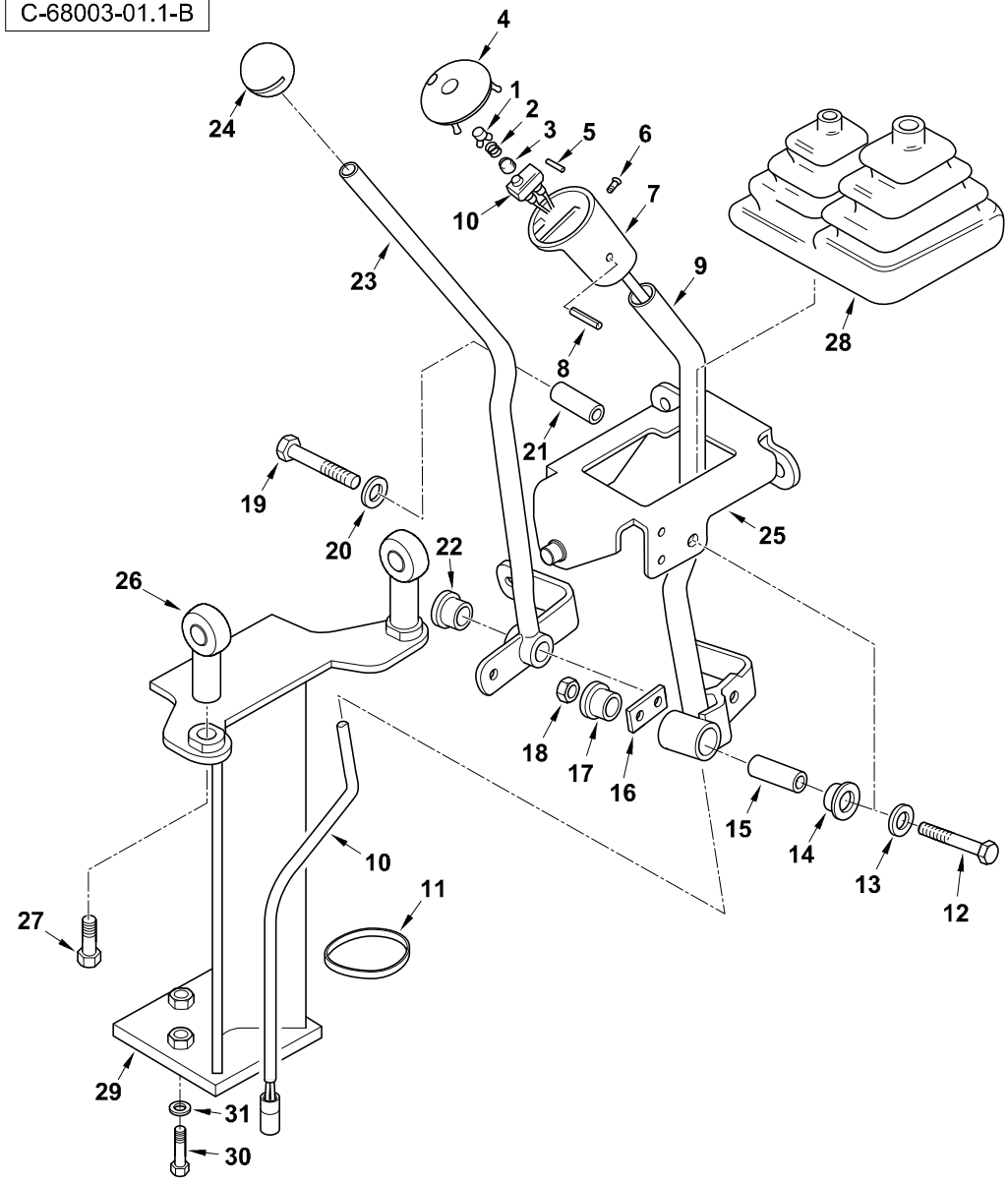




Item	Part No.	Qty.	English	French	German	Spanish	Remarks
1	6111245M91	1	Valve - Hose Burst Dipper	Soupape	Ventil	Válvula De Bloqueo.	
2	#VALVE	1	Valve	Soupape	Ventil	Válvula	Ref. 1
3	#CARTRIDGE	1	Cartridge	Cartridge	Cartridge	Cartridge	Ref. 1
4	6111160M91	1	Tube Assy Dipper Hose Burst	Tuyauterie	Rohrleitung Kpl.	Conjunto De Tubería	
5	3517731M1	2	Clamp-Hose	Bride Pour Tutaux	Schlauchschelle	Argolla De Fijación	
6	6110008M91	1	Bracket Assy - Hose Burst Dipper	Patte Fixation	Halter	Cuchara, Conj.	
7	3009491X1	2	Bolt M10 X 20	Boulon	Maschschraube M10	Tornillo	
8	390734X1	2	Washer M10-21-2 Z	Rondelle - M10	Unterlegscheibe	Arandela	
9	6101624M91	1	Elbow 90deg-Long	Coude À 90°	Winkelstuck	Codo, 90°	
10	#ELBOW	1	Elbow	Elbow	Elbow	Elbow	Ref. 9
11	835024M1	1	Ring O - Boa	Joint Torique	O Ring	Junta De Tipo O	
12	835007M91	1	Elbow 90 Degree Adjust	Coude 90°	Kniestück 90°	Codo, 90°	
13	#ELBOW	1	Elbow	Elbow	Elbow	Elbow	Ref. 12
14	835024M1	1	Ring O - Boa	Joint Torique	O Ring	Junta De Tipo O	
15	6110004M91	1	Tube Assy - Dipper Cyl (Hose Burst)	Tuyauterie	Rohrleitung Kplt	Conjunto De Tubería	
16	6101954M91	1	Tee-Long	Raccord	Verschraubung	Te	
17	#TEE	1	Tee	Tee	Tee	Tee	Ref. 16
18	835024M1	1	Ring O - Boa	Joint Torique	O Ring	Junta De Tipo O	
19	6101955M91	1	Hose-Hose Burst Pilot Press.	Flexible Ass.	Schlauch Kplt	Flexible, Conj.	
20	357197X91	1	Elbow & O Ring	Coude	Kniestück, 90°	Codo, 90°	
21	#ELBOW	1	Elbow	Elbow	Elbow	Elbow	Ref. 20
22	831452M1	1	O Ring (Pack Of 10)	Joint Torique	O Ring	Junta De Tipo O	



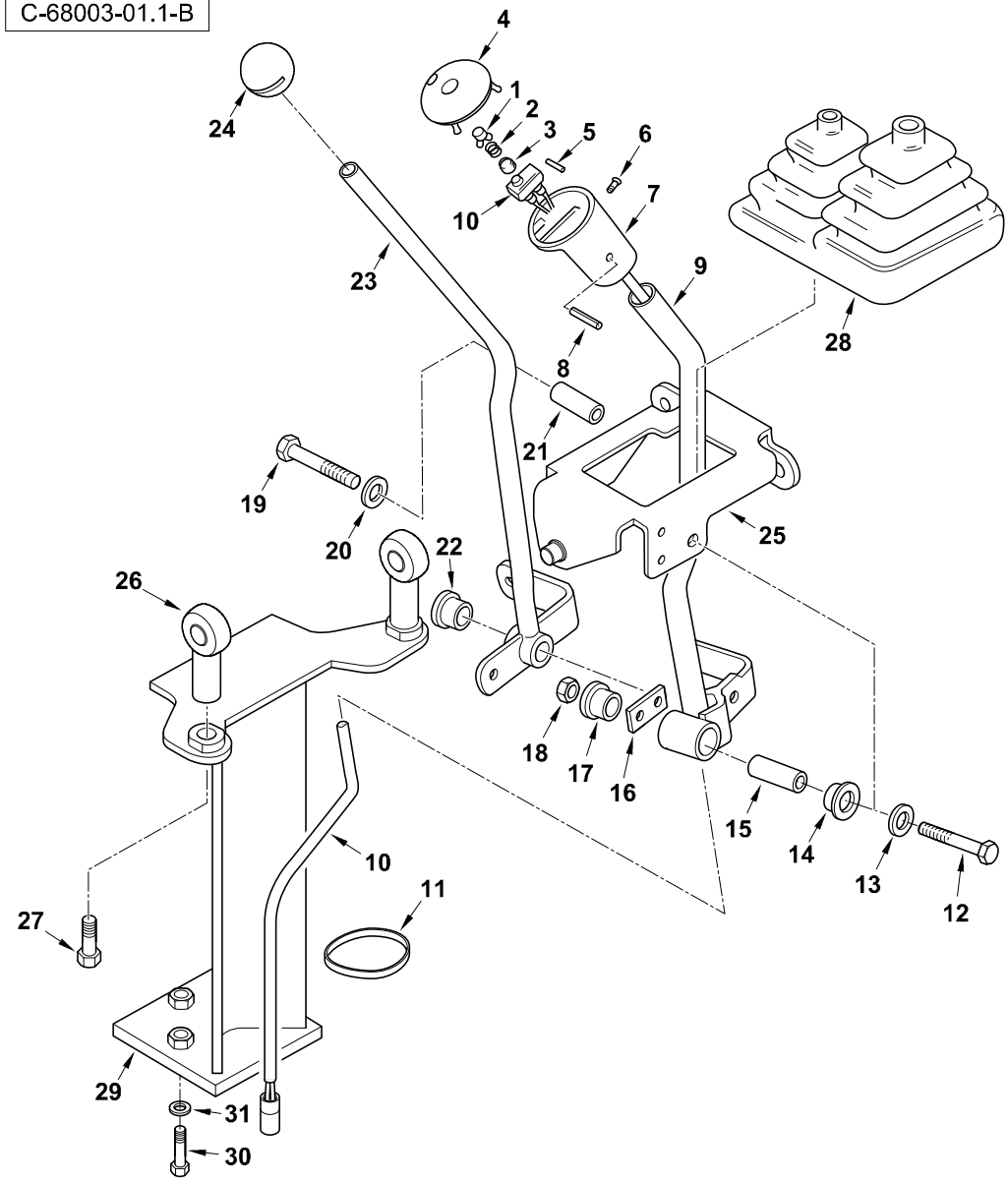
C-68003-01.1-B



Item	Part No.	Qty.	English	French	German	Spanish	Remarks
1	3521894M4	2	Button Ldr Cntls	Bouton	Knopf	Botón	
2	3520328M3	2	Spring	Siege De Ressort	Feder	Muelle	
3	3522894M1	2	Boot Control Knob	Coffre	Schutzkappe	Fuelle	
4	3522285M5	1	Knob Top Ldr Cntl	Boule	Knauf	Bola	
5	3522507M3	4	Pin Parallel	Goupille D´Arrêt	Sicherungsstift	Pasador	
6	3516886M1	2	Screw C/Sk 1/4 Lng	Vis	Schraube	Tornillo	
7	3522621M5	1	Base Control Knob	Poignée De Levier	Griff	Empuñ. Palanca	
8	3019531X1	1	Pin - Roll	Goupille Elastique	Spannhulse	Pasador Elástico	
9	6109383M91	1	Lever - Loader Control W/Assy	Levier	Hebel	Palanca, Conj.	
10	3516043M94	1	Switch And Harness - Ldr. Cont. Lever	Interrupteur	Beschirring	Haz	
11	1664405M1	1	Tie Mm T50s	Attache Cable	Kabelbinder	Enlace De Cable	
12	339159X1	1	Bolt M8-65	Boulon	Bolzen	Tornillo	
13	6108769M1	1	Washer-M8 Nord-Lock	Rondelle De Blocage	Federring M8	Arandela De Freno	
14	6106560M1	1	Bush	Douille	Buechse	Anillo	
15	6106561M3	1	Spacer-Loader Controls	Entretoise	Abstandstueck	Traviesa	
16	6106562M1	1	Plate-L/Cont. Tie Bar	Barre	Stab	Placa	
17	6106560M1	1	Bush	Douille	Buechse	Anillo	
18	394367X1	1	Nut, Hex. - Nyloc, M8	Ecrou Blocage M8	Flachmutter - M8	Tuerca De Retención	
19	339291X1	1	Bolt M8-55 Z5s	Goupille	Bolzen M8 X 55	Tornillo	
20	6108769M1	1	Washer-M8 Nord-Lock	Rondelle De Blocage	Federring M8	Arandela De Freno	
21	6106561M3	1	Spacer-Loader Controls	Entretoise	Abstandstueck	Traviesa	
22	6106560M1	2	Bush	Douille	Buechse	Anillo	
23	6109386M91	1	Lever - Clam Control W/Assy	Levier	Hebel	Palanca, Conj.	
24	3509755M2	1	Knob Yellow	Boule	Knauf	Bola	
25	6109381M91	1	Cradle - Rexroth Valve W/Assy	Berceau	Fahrschemel	Soporte	
26	6102844M1	2	Rodend-M12 Spherical	Support De Fixation	Kugelkopf, Plastik	Soporte De Fijación	
27	3009505X1	2	Hex. Bolt, M12 X 25 - Coarse	Boulon	Bolzen M12 X 25	Perno	
28	6109928M1	1	Gaiter (Black) - Loader Lever	Souf•et	Manschette	Fuelle	
29	6109802M91	1	Loader Control Column Assy	Ensemble De Support	Haltevorrichtung	Apoyadero, Conj.	
30	339009X1	3	Bolt - M8 X 35	Boulon M8 X 35	Maschschraube M8	Tornillo	

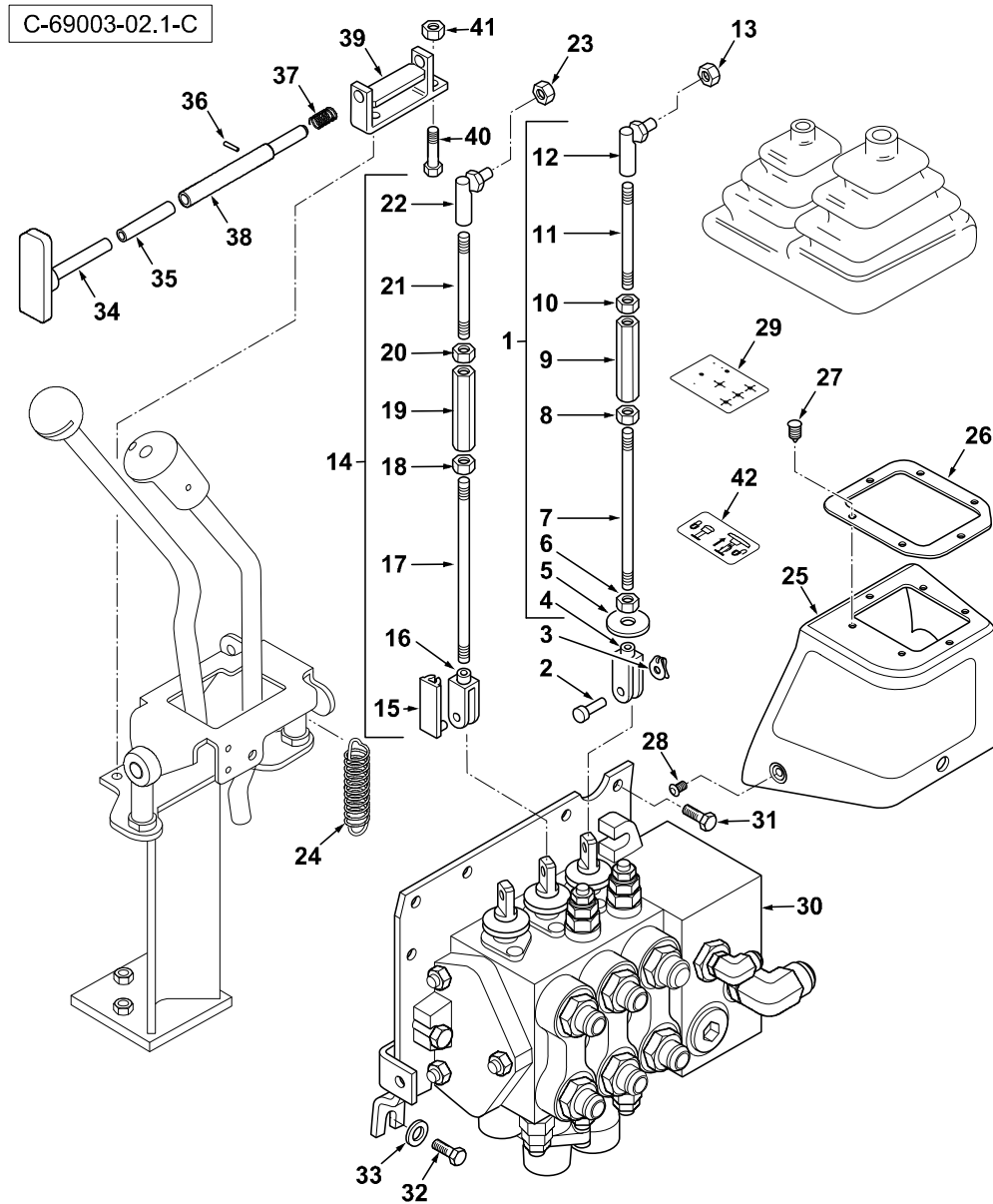


C-68003-01.1-B



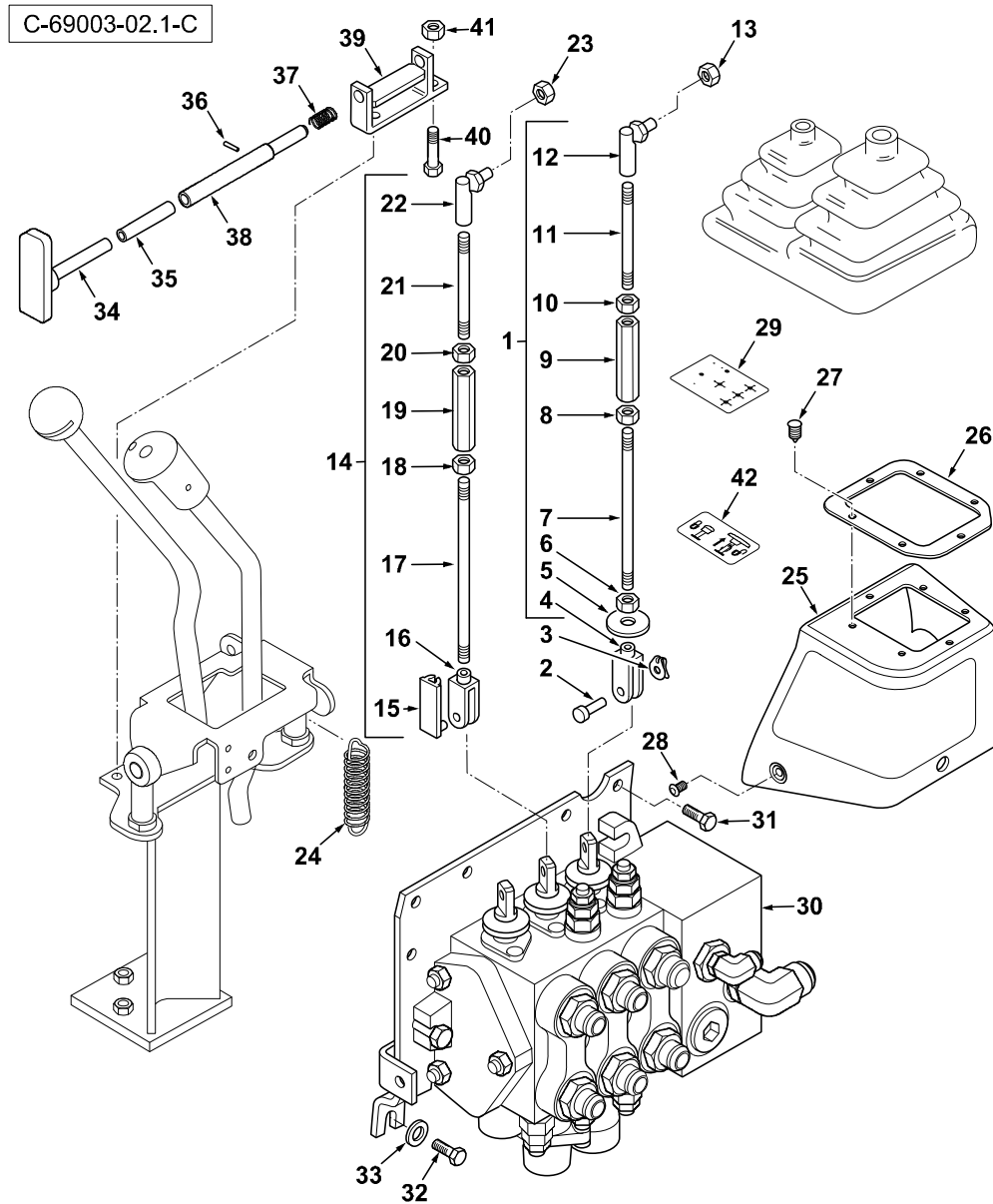
<b>Item</b>	<b>Part No.</b>	<b>Qty.</b>	<b>English</b>	<b>French</b>	<b>German</b>	<b>Spanish</b>	<b>Remarks</b>
31	339374X1	3	Washer M8 -21-2 Z	Rondelle Frein - M8	Federring - M8	Arandela De Freno	





Item	Part No.	Qty.	English	French	German	Spanish	Remarks
1	6102738M93	1	Rod Assy. - Loader Control	Ensemble Tringlerie	Gestänge	Tirantes, Conj.	
2	6102816M1	1	Pin-Clevis	Axe De Chape	Gabelstift	Eje De Brida	
3	3516322M1	1	Clip, Spring - No.8	Clip	Klips	Clip	
4	3519590M1	1	Clevis LH Thread	Chape	Gabelverbindung	Brida	
5	3518878M3	1	Washer	Rondelle	Scheibe	Arandela	
6	3519650M1	1	Nut, Hex - M8, L/H Thread	Ecrou	Mutter	Tuerca	
7	#ROD	1	Rod	Rod	Rod	Rod	
8	339169X1	1	Nut, Hex. - M8, Coarse	Ecrou Métrique	Mutter Metrisch	Tuerca	
9	6102733M1	1	Turnbuckle M8	Tendeur De Tringle	Spannschloss	Torniquete	
10	3519650M1	1	Nut, Hex - M8, L/H Thread	Ecrou	Mutter	Tuerca	
11	#ROD	1	Rod	Rod	Rod	Rod	
12	3519589M1	1	Ball-Joint	Rotule	Kugelgelenk	Rotula	
13	394367X1	1	Nut, Hex. - Nyloc, M8	Ecrou Blocage M8	Flachmutter - M8	Tuerca De Retención	
14	6102737M92	2	Rod Assy. - Loader Control	Tringle	Stange	Tirantes, Conj.	
15	3520666M1	1	Pin W/ Spring Clip	Axe De Chape	Gabelstift	Eje De Brida	
16	3519590M1	1	Clevis LH Thread	Chape	Gabelverbindung	Brida	
17	#ROD	1	Rod	Rod	Rod	Rod	Ref. 14
18	339169X1	1	Nut, Hex. - M8, Coarse	Ecrou Métrique	Mutter Metrisch	Tuerca	
19	6102733M1	1	Turnbuckle M8	Tendeur De Tringle	Spannschloss	Torniquete	
20	3519650M1	1	Nut, Hex - M8, L/H Thread	Ecrou	Mutter	Tuerca	
21	#ROD	1	Rod	Rod	Rod	Rod	Ref. 14
22	3519589M1	1	Ball-Joint	Rotule	Kugelgelenk	Rotula	
23	394367X1	2	Nut, Hex. - Nyloc, M8	Ecrou Blocage M8	Flachmutter - M8	Tuerca De Retención	
24	6109761M1	1	Spring-Ldr Control	Siège De Ressort	Federsitz	Muelle	
25	6099536M1	1	Loader Tower - W/Lock (Grey)	Boite	Schachtel	Consola	
26	3516856M3	1	Plate, Gaiter - Loader Controls	Plaque	Platte	Placa	
27	3521303M3	6	Fastener, Plastic - Gear Lever Gaiter	Agrafe	Halteklammer	Enganche	
28	3512552M1	3	Screw Pan Hd.M5 X 12	Vis	Schraube	Tornillo	
29	6101874M1	1	Decal-Ldr Controls 7 In 1	Adhésif	Aufkleber	Adhesivo	
30	6109325M91	1	Valve Assembly - Loader Rexroth	Ensemble Distributio	Steuerventilblock Kp	Distribuidor, Conj.	68003c03.1 1



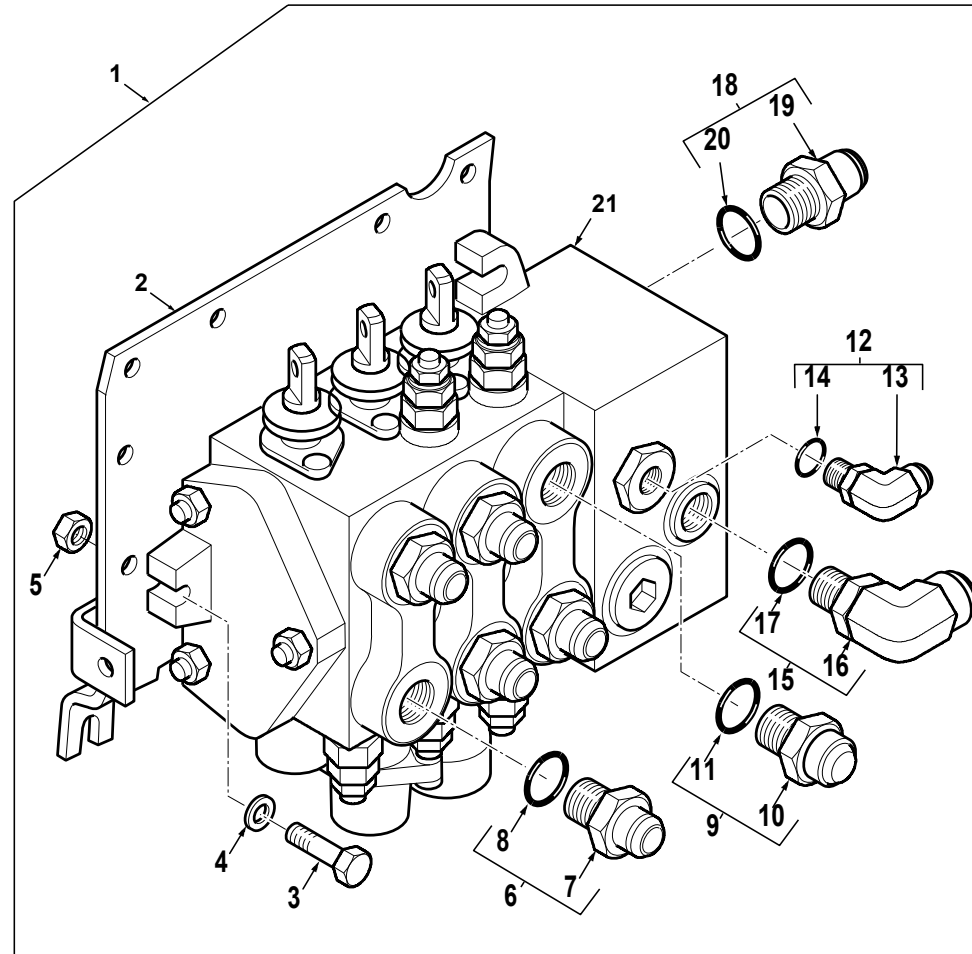




Item	Part No.	Qty.	English	French	German	Spanish	Remarks
31	3009492X1	2	Bolt - Hex. M10 X 25	Boulon M10 X 25	Schraube M10 X 25	Tornillo	
32	3009492X1	1	Bolt - Hex. M10 X 25	Boulon M10 X 25	Schraube M10 X 25	Tornillo	
33	385362X1	1	Washer, Hardened - M10	Rondelle - M10	Unterlegscheibe M10	Arandela	
34	6101939M91	1	Handle-T Assy	Poignée	Handgriff	Asa	
35	6101938M1	1	Spacer-Tube	Entretoise	Distanzstück	Traviesa	
36	1441736X1	1	Pin Spirol 5-26	Goupille D´Arrêt	Klappstecker	Pasador Elástico	
37	3516136M2	1	Spring	Siège De Ressort	Federsitz	Muelle	
38	3519365M1	1	Rod Locking	Tringle	Stange	Vástago	
39	6108293M92	1	Bracket Assy Loader Control	Patte Fixation	Halter	Cuchara, Conj.	
40	339666X1	2	Bolt M6-20 Z5f	Boulon M6 X 20	Maschschraube Metr M	Tornillo	
41	1441500X1	2	Nut M6 Z5 Nyloc	Ecrou	Flachmutter M6	Tuerca De Retención	
42	6101872M1	1	Decal - Loader Lever Lock	Adhésif	Aufkleber	Adhesivo	



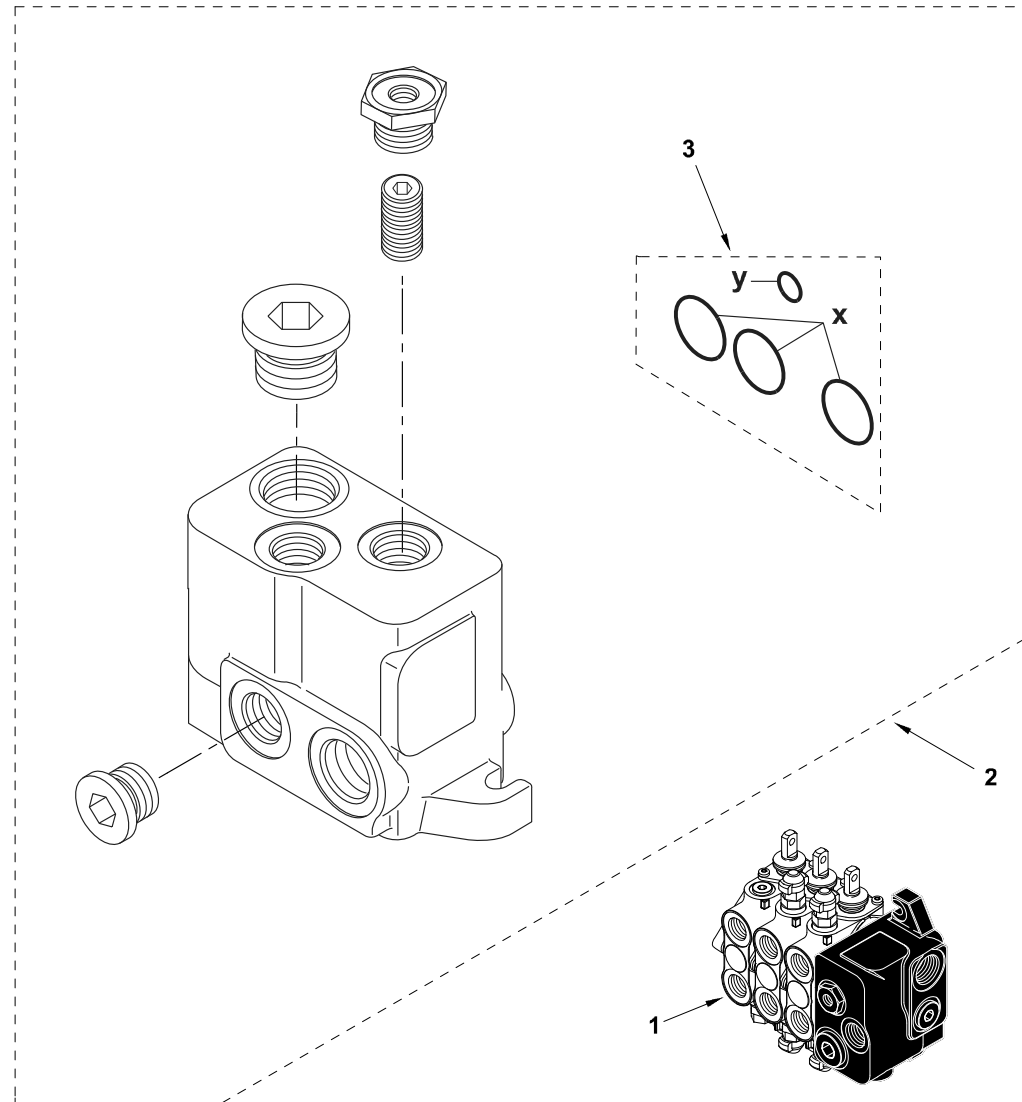
C-68003-03.1-A



Item	Part No.	Qty.	English	French	German	Spanish	Remarks
1	6109325M91	1	Valve Assembly - Loader Rexroth	Ensemble Distributio	Steuerventilblock Kp	Distribuidor, Conj.	
2	6109370M91	1	Plate - Rexroth Loader Valve W/Assy	Plaque	Platte	Placa, Conj.	
3	3009496X1	3	Bolt Hex - M10 X 45 (Coarse)	Boulon M10 X 45	Maschschraube - M10	Tornillo	
4	385362X1	3	Washer, Hardened - M10	Rondelle - M10	Unterlegscheibe M10	Arandela	
5	1440329X1	3	Nut, Hex. - Nyloc, M10	Ecrou Blocage	Flachmutter M10	Tuerca De Retención	
6	365715X91	5	Connector, Hydr.-Straight, 1 1/16 X 7/8	Borne	Doppelnippel	Conexión, Conj.	
7	#CONNECTOR	1	Connector	Connector	Connector	Connector	Ref. 6
8	835025M1	1	Ring O	Joint Torique	O Ring	Junta De Tipo O	
9	835057M91	1	Connector B1510m-12-12	Raccord	Schraubanschluss	Conexión, Conj.	
10	#CONNECTOR	1	Connector	Connector	Connector	Connector	Ref. 9
11	835025M1	1	Ring O	Joint Torique	O Ring	Junta De Tipo O	
12	357197X91	1	Elbow & O Ring	Coude	Kniestück, 90°	Codo, 90°	
13	#ELBOW	1	Elbow	Elbow	Elbow	Elbow	Ref. 12
14	831452M1	1	O Ring (Pack Of 10)	Joint Torique	O Ring	Junta De Tipo O	
15	358764X91	1	Elbow 90 Deg	Coude 90°	Kniestück, 90°	Codo, 90°	
16	#ELBOW	1	Elbow	Elbow	Elbow	Elbow	Ref. 15
17	835025M1	1	Ring O	Joint Torique	O Ring	Junta De Tipo O	
18	835014M91	1	Connector - 1 5/16" To 1 5/16"	Borne	Doppelnippel	Unión	
19	#CONNECTOR	1	Connector	Connector	Connector	Connector	Ref. 18
20	835026M1	1	O-Ring	Joint Torique	O-Ring	Junta De Tipo O	
21	6109210M91	1	Valve - Loader 3 Spool Mechanical	Ensemble Distributio	Steuerventilblock Kp	Distribuidor, Conj.	68003c04.1 1



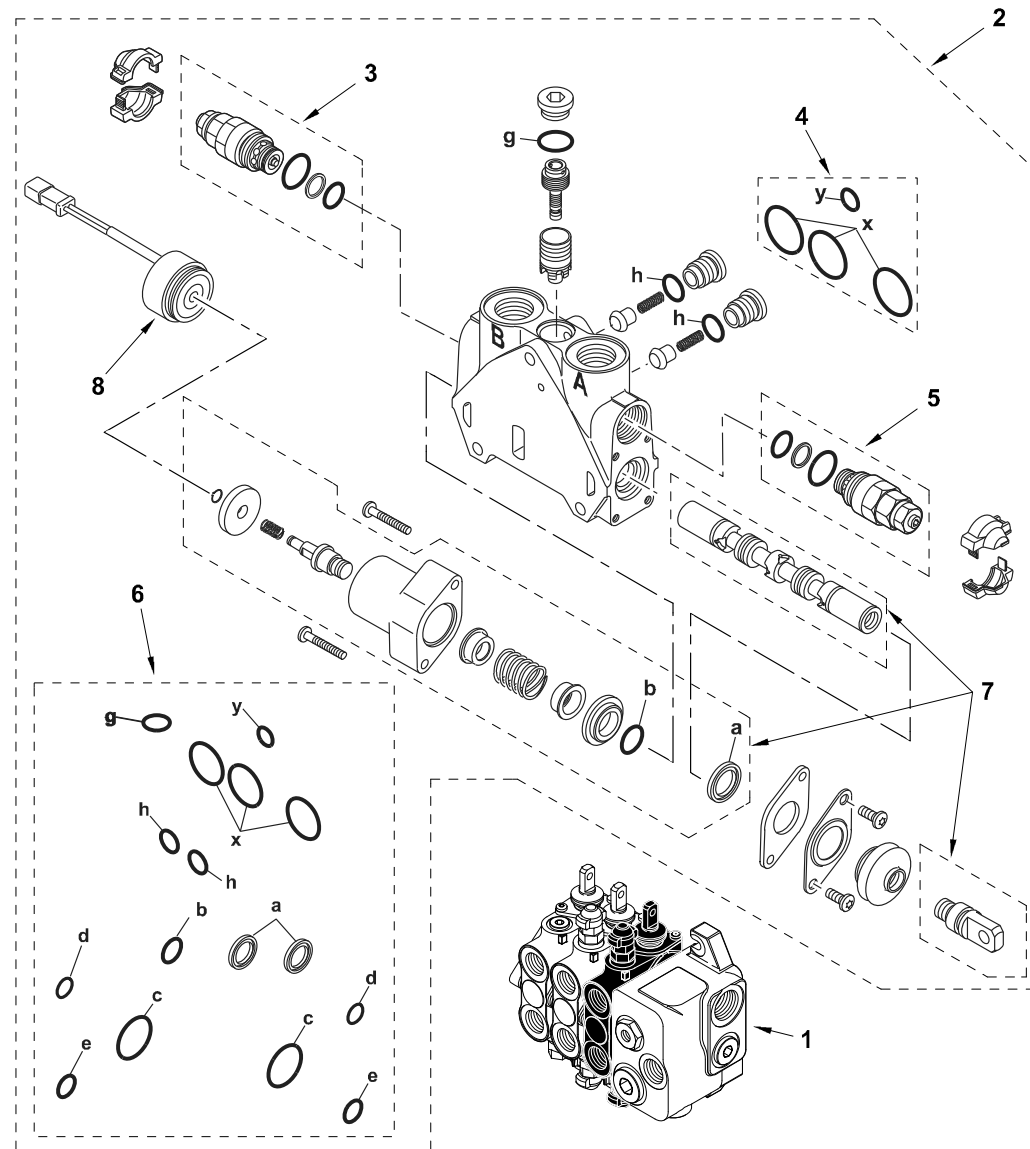
C-68003-04.1-A



<b>Item</b>	<b>Part No.</b>	<b>Qty.</b>	<b>English</b>	<b>French</b>	<b>German</b>	<b>Spanish</b>	<b>Remarks</b>
1	6109210M91	1	Valve - Loader 3 Spool Mechanical	Ensemble Distributio	Steverventilblock Kp	Distribuidor, Conj.	
2	6194535M91	1	Element - Inlet	Element - Soupape	Element - Ventil	Elemento - Válvula	Inlet
3	6193771M91	1	Seal Interface Kit	Pochette De Joints	Dichsatz	Juego De Juntas	



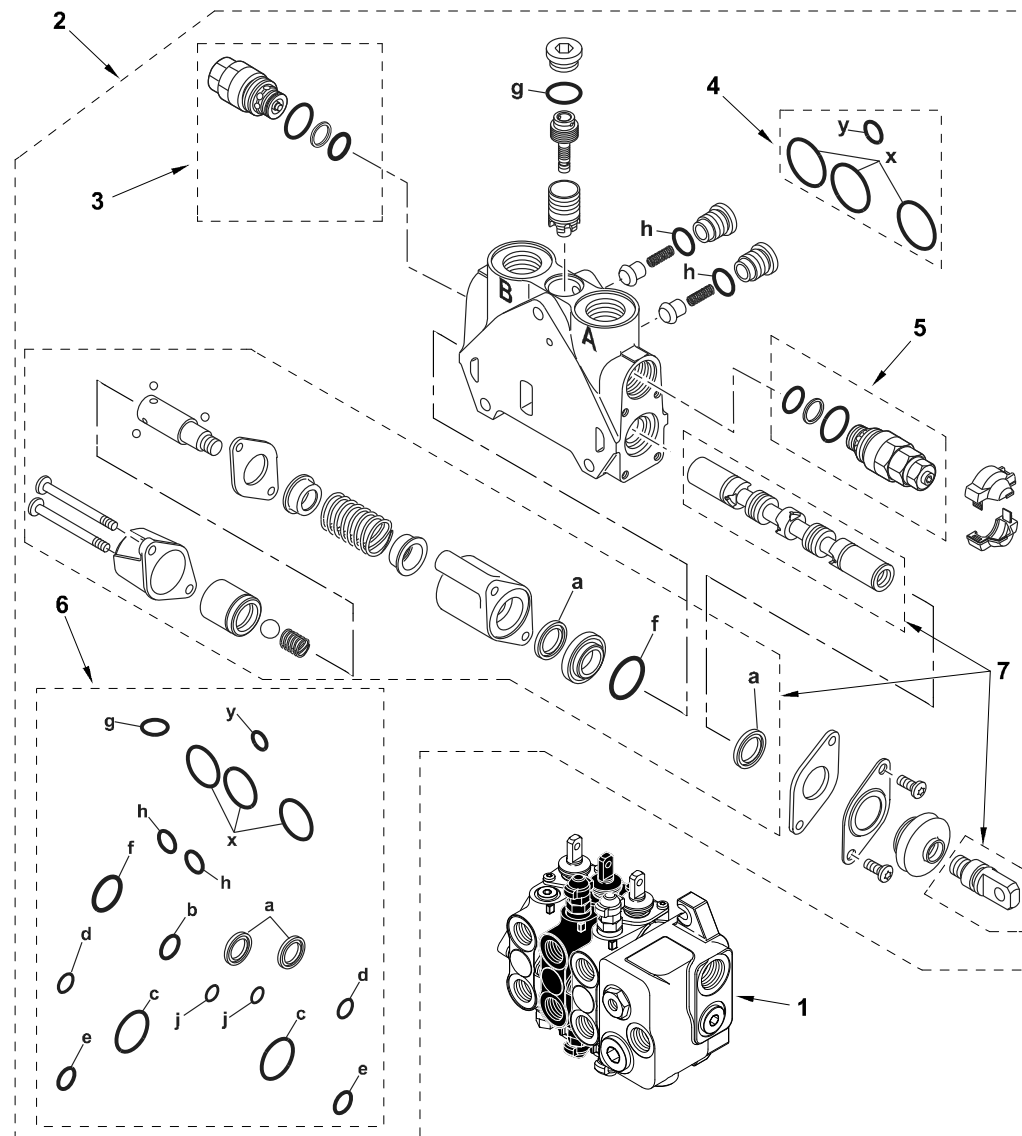
C-68003-05.1-C



Item	Part No.	Qty.	English	French	German	Spanish	Remarks
1	6109210M91	1	Valve - Loader 3 Spool Mechanical	Ensemble Distributio	Steverventilblock Kp	Distribuidor, Conj.	
2	6194531M91	1	Element - Bucket	Element - Soupape	Element - Ventil	Elemento - Válvula	
3	6193804M91	1	Pressure Relief Valve H (310 Bar)	Valve Decharge	Druckbegrventil	Válvula De Seguridad	
4	6193771M91	1	Seal Interface Kit	Pochette De Joints	Dichsatz	Juego De Juntas	
5	6193801M91	1	Pressure Relief Valve H (345 Bar)	Valve Decharge	Druckbegrventil	Válvula De Seguridad	
6	6193781M91	1	Seal Kit Complete	Jeu Etancheite	Dichtringsatz	Juege De Juntas	
7	6194835M91	1	Spool Kit (Slice - Loader Bucket)	Jeu Tiroir	Schieber Satz	Juego Carrete	
8	6195101M91	1	Solenoid Kit	Solenoide	Magnetspule	Solenoide, Conj.	



C-68003-06.1-B

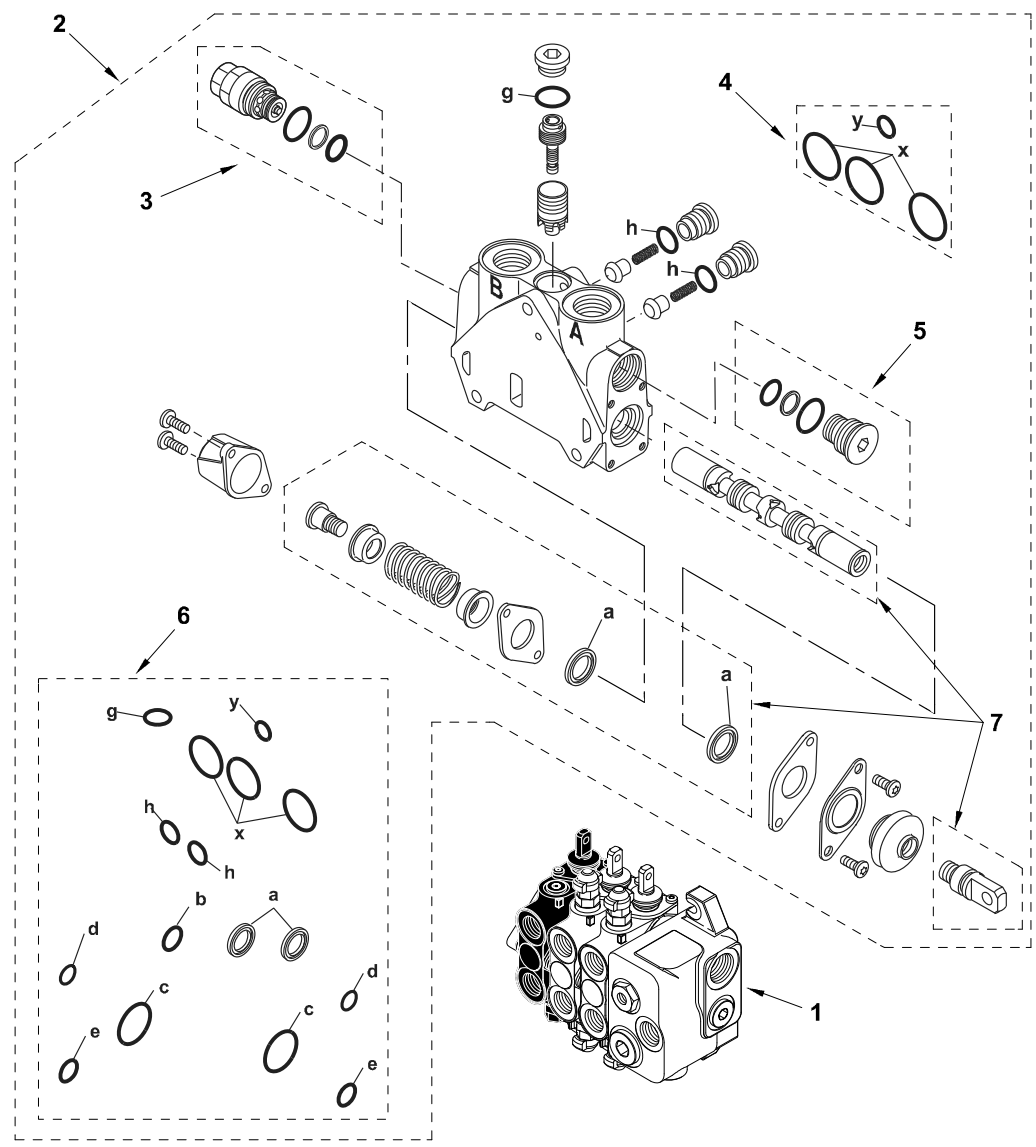




Item	Part No.	Qty.	English	French	German	Spanish	Remarks
1	6109210M91	1	Valve - Loader 3 Spool Mechanical	Ensemble Distributio	Steverventilblock Kp	Distribuidor, Conj.	Continued
2	6194532M91	1	Element - Dipper	Element - Soupape	Element - Ventil	Elemento - Válvula	
3	6193782M91	1	Anti-Cavitation Valve E Port B	Ensemble De Soupape	Ventil Kpl.	Válvula, Conj.	
4	6193771M91	1	Seal Interface Kit	Pochette De Joints	Dichsatz	Juego De Juntas	
5	6193800M91	1	Pressure Relief Valve H 240 Bar	Valve Decharge	Druckbegrventil	Válvula De Seguridad	
6	6194518M91	1	Seal Kit	Jeu Etancheite	Dichtringsatz	Juego De Juntas	
7	6194836M91	1	Spool Kit (Slice - Loader Arm)	Jeu Tiroir	Schieber Satz	Juego Carrete	



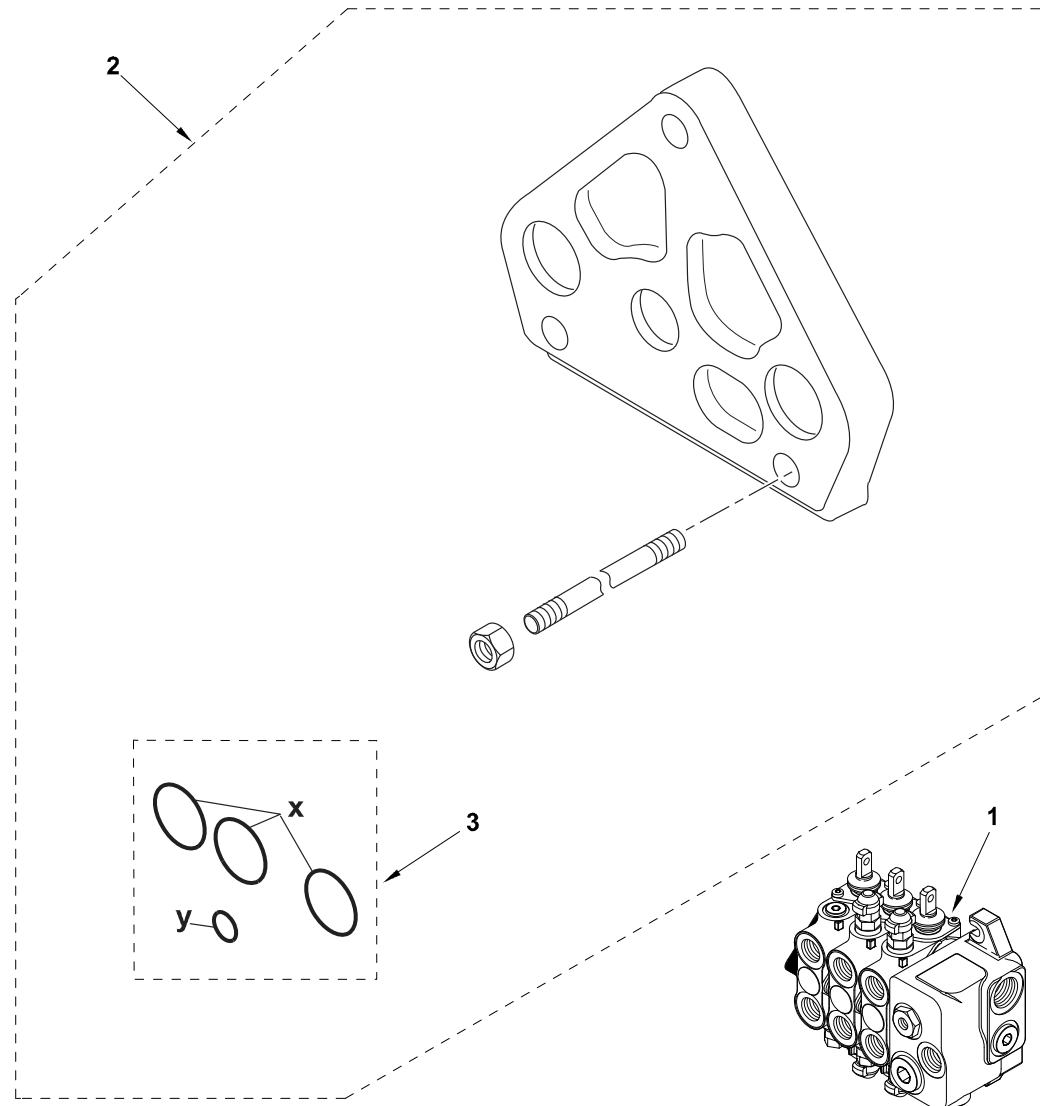
C-68003-07.1-B



Item	Part No.	Qty.	English	French	German	Spanish	Remarks
1	6109210M91	1	Valve - Loader 3 Spool Mechanical	Ensemble Distributio	Steverventilblock Kp	Distribuidor, Conj.	
2	6194533M91	1	Element - 4 X 1	Element - Soupape	Element - Ventil	Elemento - Válvula	
3	6193782M91	1	Anti-Cavitation Valve E Port B	Ensemble De Soupape	Ventil Kpl.	Válvula, Conj.	
4	6193771M91	1	Seal Interface Kit	Pochette De Joints	Dichsatz	Juego De Juntas	
5	6193785M91	1	Plug Q - Port B	Bouchon	Stopfen	Tapón, Conj.	
6	6193791M91	1	Seal Kit - L/S Valve	Jeu Étanchéité	Dichtringsatz	Juego De Juntas	
7	6194828M91	1	Spool Kit (Slice - Bucket 4 In 1 Loader)	Jeu Tiroir	Schieber Satz	Juego Carrete	



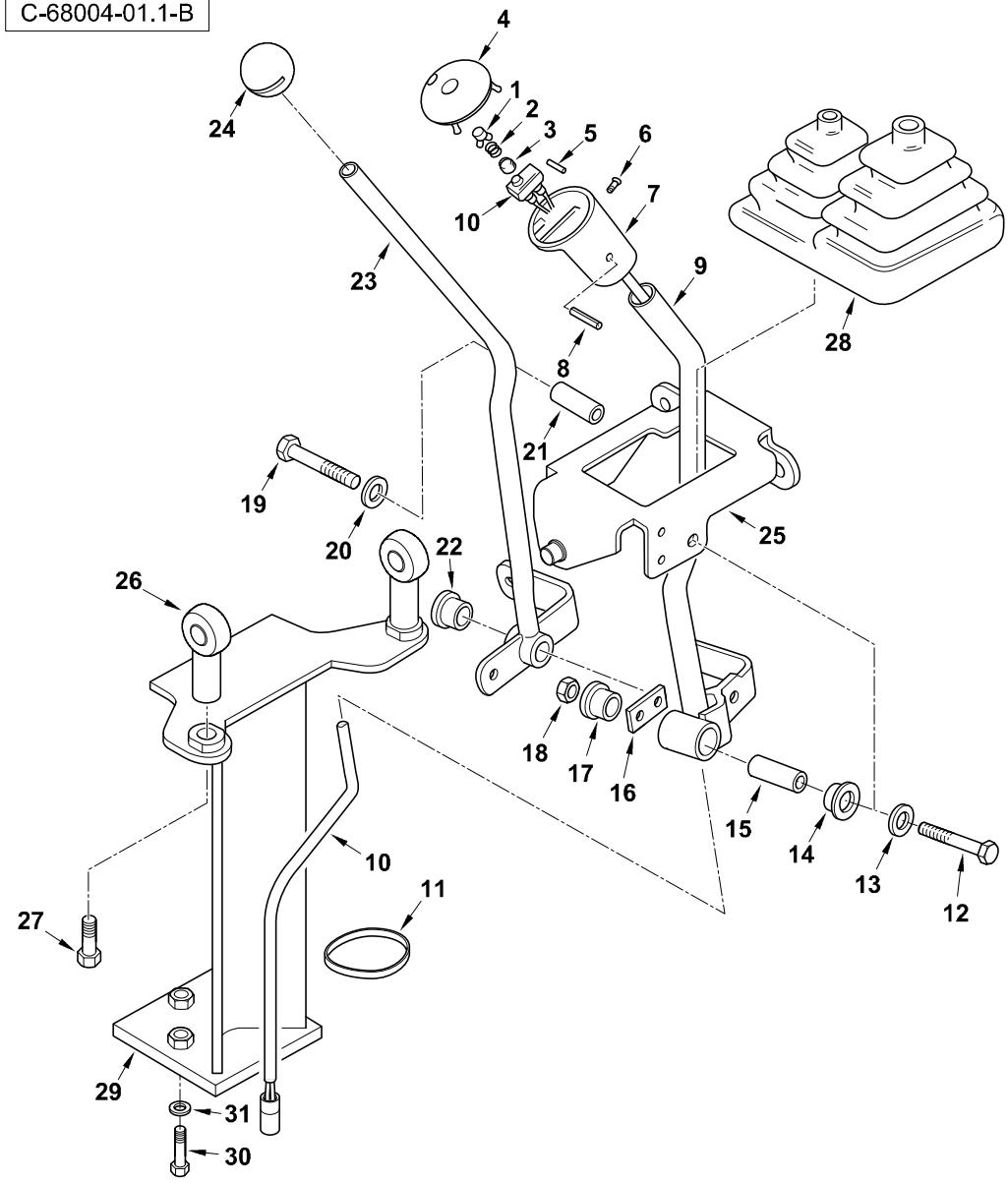
C-68003-08.1-A



<b>Item</b>	<b>Part No.</b>	<b>Qty.</b>	<b>English</b>	<b>French</b>	<b>German</b>	<b>Spanish</b>	<b>Remarks</b>
1	6109210M91	1	Valve - Loader 3 Spool Mechanical	Ensemble Distributio	Steverventilblock Kp	Distribuidor, Conj.	
2	6194517M91	1	Element - Outlet	Element - Soupape	Element - Ventil	Elemento - Válvula	
3	6193771M91	1	Seal Interface Kit	Pochette De Joints	Dichsatz	Juego De Juntas	



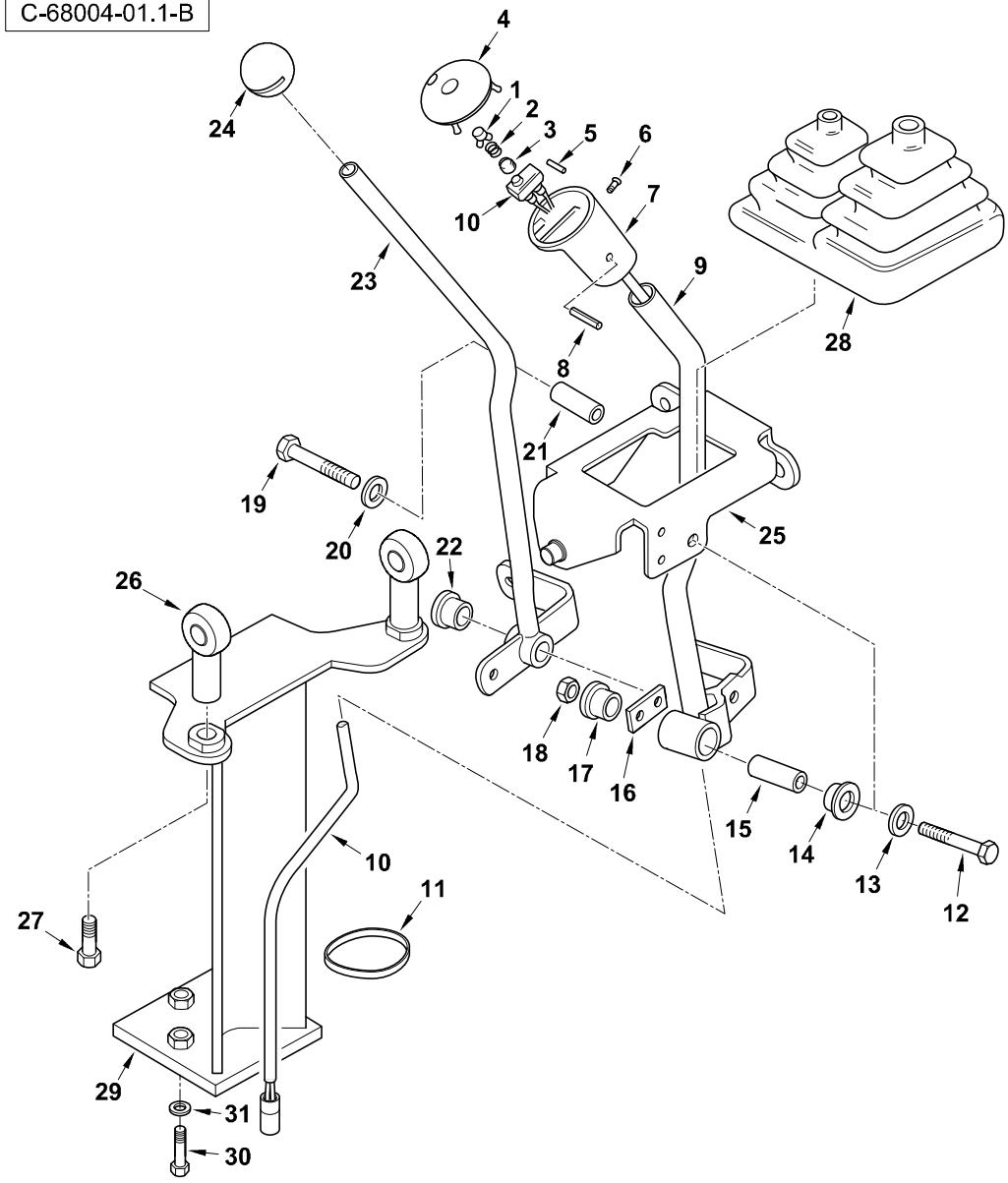
C-68004-01.1-B



Item	Part No.	Qty.	English	French	German	Spanish	Remarks
1	3521894M4	2	Button Ldr Cntls	Bouton	Knopf	Botón	
2	3520328M3	2	Spring	Siege De Ressort	Feder	Muelle	
3	3522894M1	2	Boot Control Knob	Coffre	Schutzkappe	Fuelle	
4	3522285M5	1	Knob Top Ldr Cntl	Boule	Knauf	Bola	
5	3522507M3	4	Pin Parallel	Goupille D´Arrêt	Sicherungsstift	Pasador	
6	3516886M1	2	Screw C/Sk 1/4 Lng	Vis	Schraube	Tornillo	
7	3522621M5	1	Base Control Knob	Poignée De Levier	Griff	Empuñ. Palanca	
8	3019531X1	1	Pin - Roll	Goupille Elastique	Spannhulse	Pasador Elástico	
9	6109383M91	1	Lever - Loader Control W/Assy	Levier	Hebel	Palanca, Conj.	
10	3516043M94	1	Switch And Harness - Ldr. Cont. Lever	Interrupteur	Beschirring	Haz	
11	1664405M1	1	Tie Mm T50s	Attache Cable	Kabelbinder	Enlace De Cable	
12	339159X1	1	Bolt M8-65	Boulon	Bolzen	Tornillo	
13	6108769M1	1	Washer-M8 Nord-Lock	Rondelle De Blocage	Federring M8	Arandela De Freno	
14	6106560M1	1	Bush	Douille	Buechse	Anillo	
15	6106561M3	1	Spacer-Loader Controls	Entretoise	Abstandstueck	Traviesa	
16	6106562M1	1	Plate-L/Cont. Tie Bar	Barre	Stab	Placa	
17	6106560M1	1	Bush	Douille	Buechse	Anillo	
18	394367X1	1	Nut, Hex. - Nyloc, M8	Ecrou Blocage M8	Flachmutter - M8	Tuerca De Retención	
19	339291X1	1	Bolt M8-55 Z5s	Goupille	Bolzen M8 X 55	Tornillo	
20	6108769M1	1	Washer-M8 Nord-Lock	Rondelle De Blocage	Federring M8	Arandela De Freno	
21	6106561M3	1	Spacer-Loader Controls	Entretoise	Abstandstueck	Traviesa	
22	6106560M1	2	Bush	Douille	Buechse	Anillo	
23	6109386M91	1	Lever - Clam Control W/Assy	Levier	Hebel	Palanca, Conj.	
24	3509755M2	1	Knob Yellow	Boule	Knauf	Bola	
25	6109381M91	1	Cradle - Rexroth Valve W/Assy	Berceau	Fahrschemel	Soporte	
26	6102844M1	2	Rodend-M12 Spherical	Support De Fixation	Kugelkopf, Plastik	Soporte De Fijación	
27	3009505X1	2	Hex. Bolt, M12 X 25 - Coarse	Boulon	Bolzen M12 X 25	Perno	
28	6109928M1	1	Gaiter (Black) - Loader Lever	Souf•et	Manschette	Fuelle	
29	6109802M91	1	Loader Control Column Assy	Ensemble De Support	Haltevorrichtung	Apoyadero, Conj.	
30	339009X1	3	Bolt - M8 X 35	Boulon M8 X 35	Maschschraube M8	Tornillo	



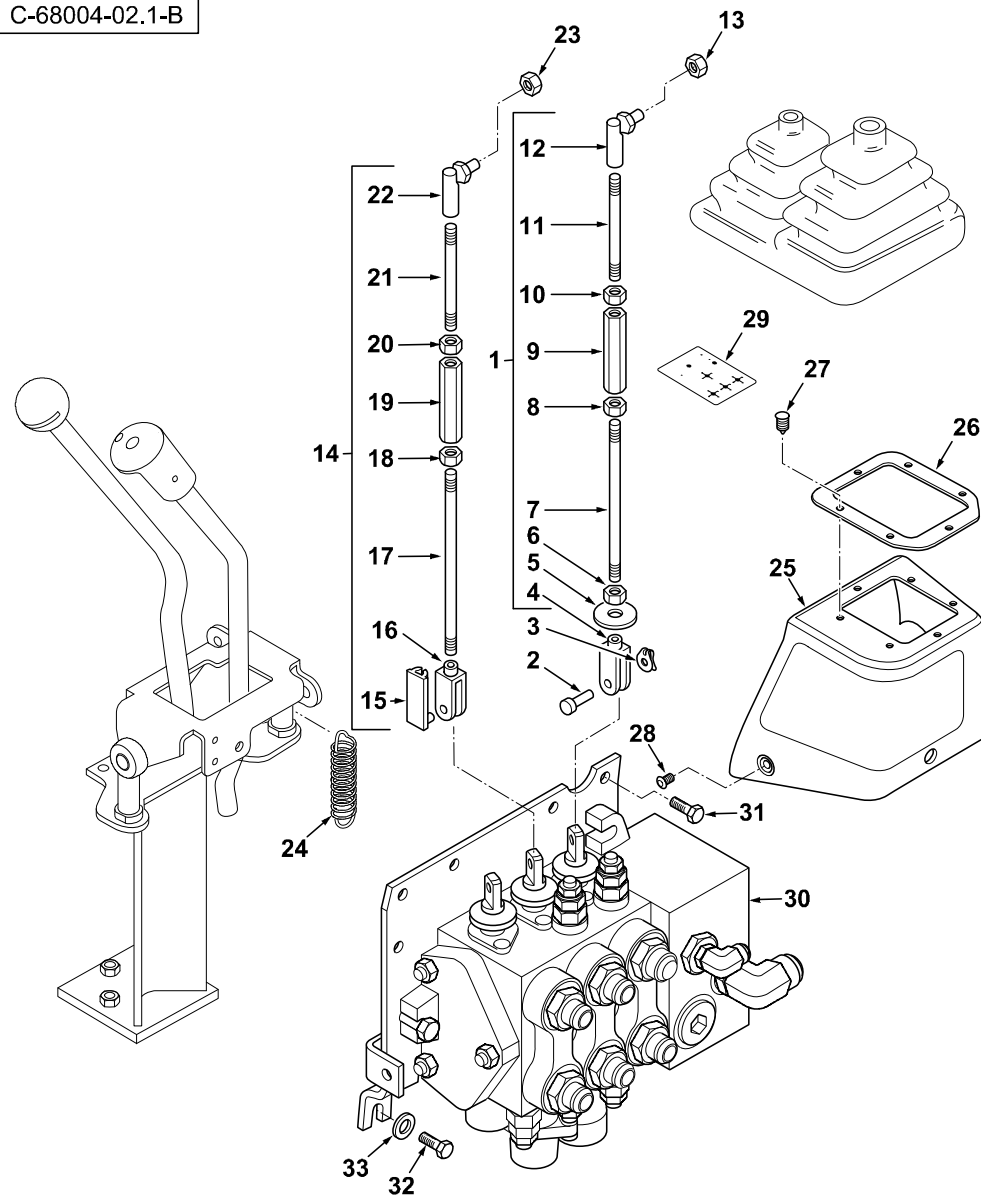
C-68004-01.1-B





<b>Item</b>	<b>Part No.</b>	<b>Qty.</b>	<b>English</b>	<b>French</b>	<b>German</b>	<b>Spanish</b>	<b>Remarks</b>
31	339374X1	3	Washer M8 -21-2 Z	Rondelle Frein - M8	Federring - M8	Arandela De Freno	

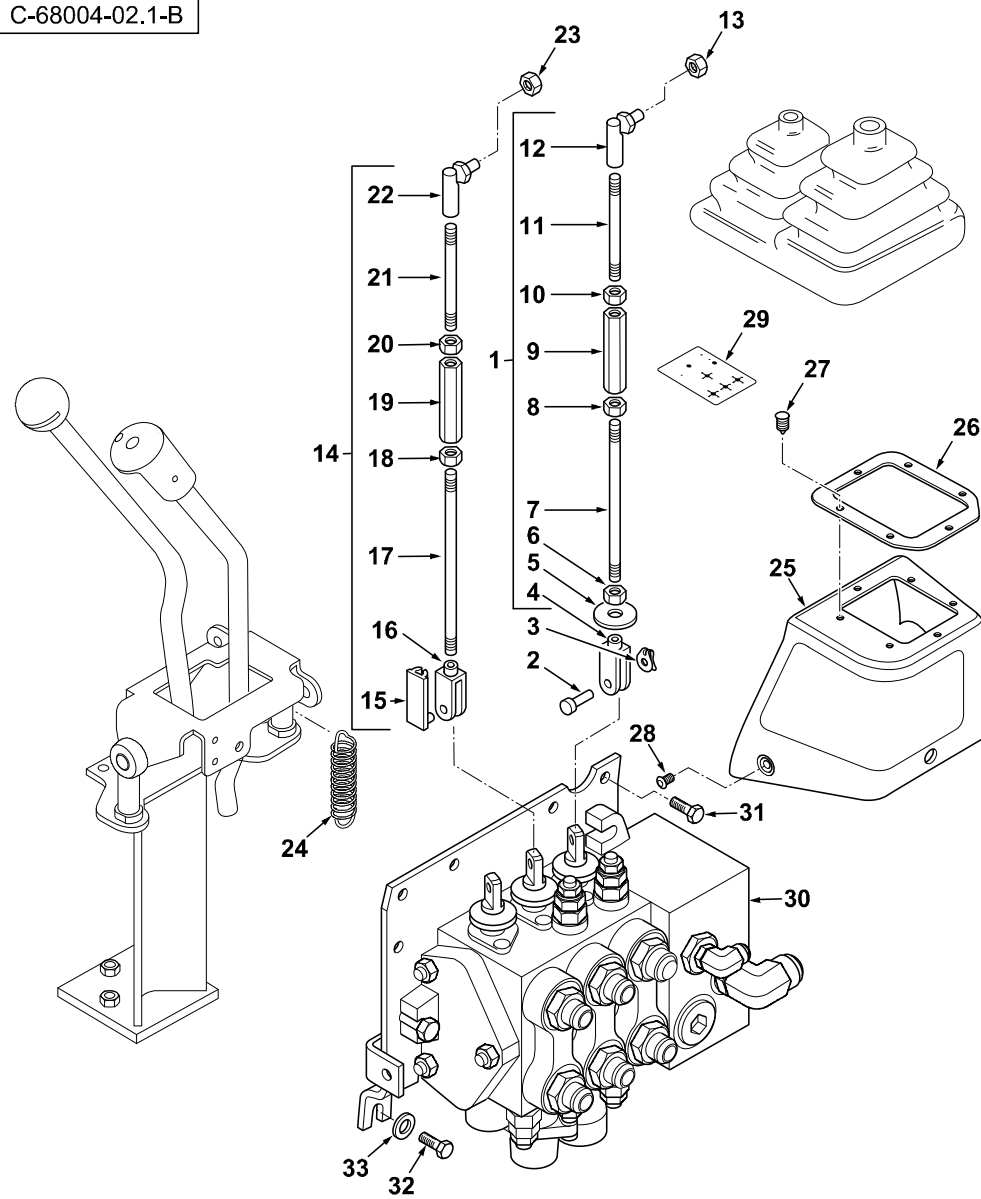
C-68004-02.1-B



Item	Part No.	Qty.	English	French	German	Spanish	Remarks
1	6102738M93	1	Rod Assy. - Loader Control	Ensemble Tringlerie	Gestänge	Tirantes, Conj.	
2	6102816M1	1	Pin-Clevis	Axe De Chape	Gabelstift	Eje De Brida	
3	3516322M1	1	Clip, Spring - No.8	Clip	Klips	Clip	
4	3519590M1	1	Clevis LH Thread	Chape	Gabelverbindung	Brida	
5	3518878M3	1	Washer	Rondelle	Scheibe	Arandela	
6	3519650M1	1	Nut, Hex - M8, L/H Thread	Ecrou	Mutter	Tuerca	
7	#ROD	1	Rod	Rod	Rod	Rod	
8	339169X1	1	Nut, Hex. - M8, Coarse	Ecrou Métrique	Mutter Metrisch	Tuerca	
9	6102733M1	1	Turnbuckle M8	Tendeur De Tringle	Spannschloss	Torniquete	
10	3519650M1	1	Nut, Hex - M8, L/H Thread	Ecrou	Mutter	Tuerca	
11	#ROD	1	Rod	Rod	Rod	Rod	
12	3519589M1	1	Ball-Joint	Rotule	Kugelgelenk	Rotula	
13	394367X1	1	Nut, Hex. - Nyloc, M8	Ecrou Blocage M8	Flachmutter - M8	Tuerca De Retención	
14	6102737M92	2	Rod Assy. - Loader Control	Tringle	Stange	Tirantes, Conj.	
15	3520666M1	1	Pin W/ Spring Clip	Axe De Chape	Gabelstift	Eje De Brida	
16	3519590M1	1	Clevis LH Thread	Chape	Gabelverbindung	Brida	
17	#ROD	1	Rod	Rod	Rod	Rod	Ref. 14
18	339169X1	1	Nut, Hex. - M8, Coarse	Ecrou Métrique	Mutter Metrisch	Tuerca	
19	6102733M1	1	Turnbuckle M8	Tendeur De Tringle	Spannschloss	Torniquete	
20	3519650M1	1	Nut, Hex - M8, L/H Thread	Ecrou	Mutter	Tuerca	
21	#ROD	1	Rod	Rod	Rod	Rod	Ref. 14
22	3519589M1	1	Ball-Joint	Rotule	Kugelgelenk	Rotula	
23	394367X1	2	Nut, Hex. - Nyloc, M8	Ecrou Blocage M8	Flachmutter - M8	Tuerca De Retención	
24	6109761M1	1	Spring-Ldr Control	Siège De Ressort	Federsitz	Muelle	
25	6099522M2	1	Loader Control Tower - W/O Lock (Grey)	Console	Konsole	Consola	
26	3516856M3	1	Plate, Gaiter - Loader Controls	Plaque	Platte	Placa	
27	3521303M3	6	Fastener, Plastic - Gear Lever Gaiter	Agrafe	Halteklammer	Eganche	
28	3512552M1	3	Screw Pan Hd.M5 X 12	Vis	Schraube	Tornillo	
29	6101874M1	1	Decal-Ldr Controls 7 In 1	Adhésif	Aufkleber	Adhesivo	
30	6109325M91	1	Valve Assembly - Loader Rexroth	Ensemble Distributio	Steuerventilblock Kp	Distribuidor, Conj.	68004c03.1 1



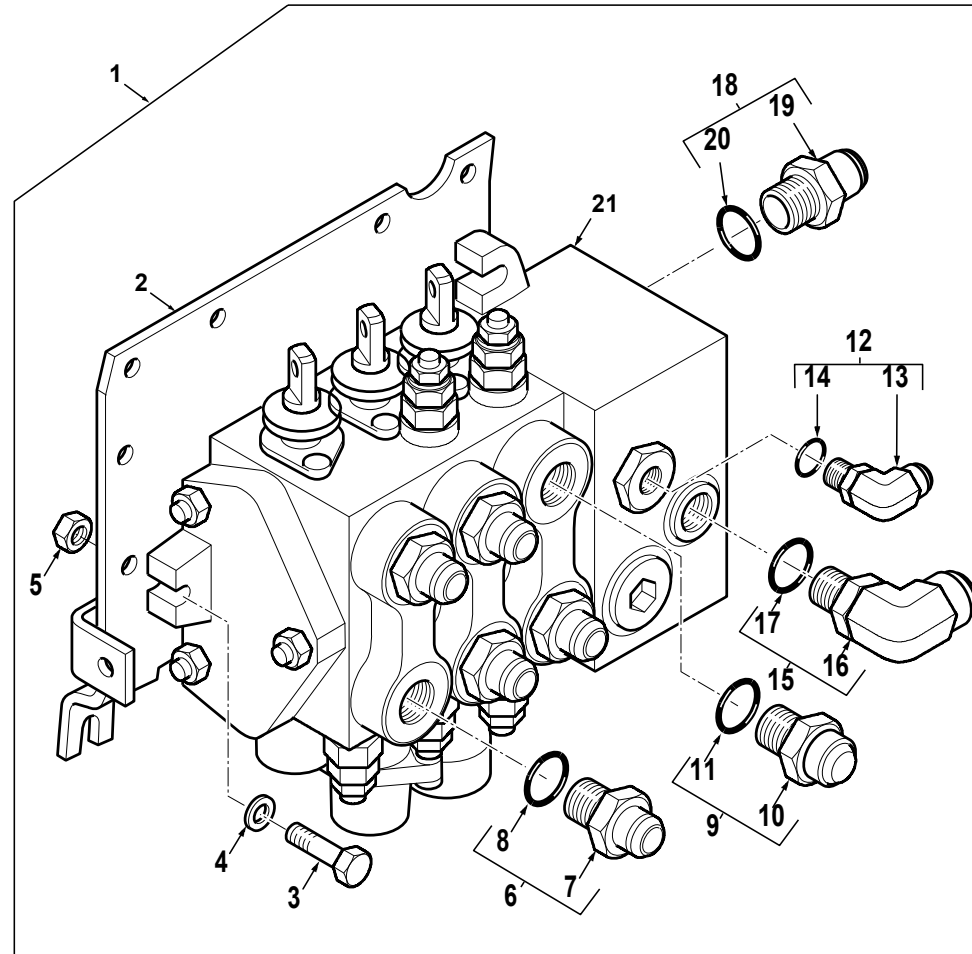
C-68004-02.1-B



<b>Item</b>	<b>Part No.</b>	<b>Qty.</b>	<b>English</b>	<b>French</b>	<b>German</b>	<b>Spanish</b>	<b>Remarks</b>
31	3009492X1	2	Bolt - Hex. M10 X 25	Boulon M10 X 25	Schraube M10 X 25	Tornillo	
32	3009492X1	1	Bolt - Hex. M10 X 25	Boulon M10 X 25	Schraube M10 X 25	Tornillo	
33	385362X1	1	Washer, Hardened - M10	Rondelle - M10	Unterlegscheibe M10	Arandela	



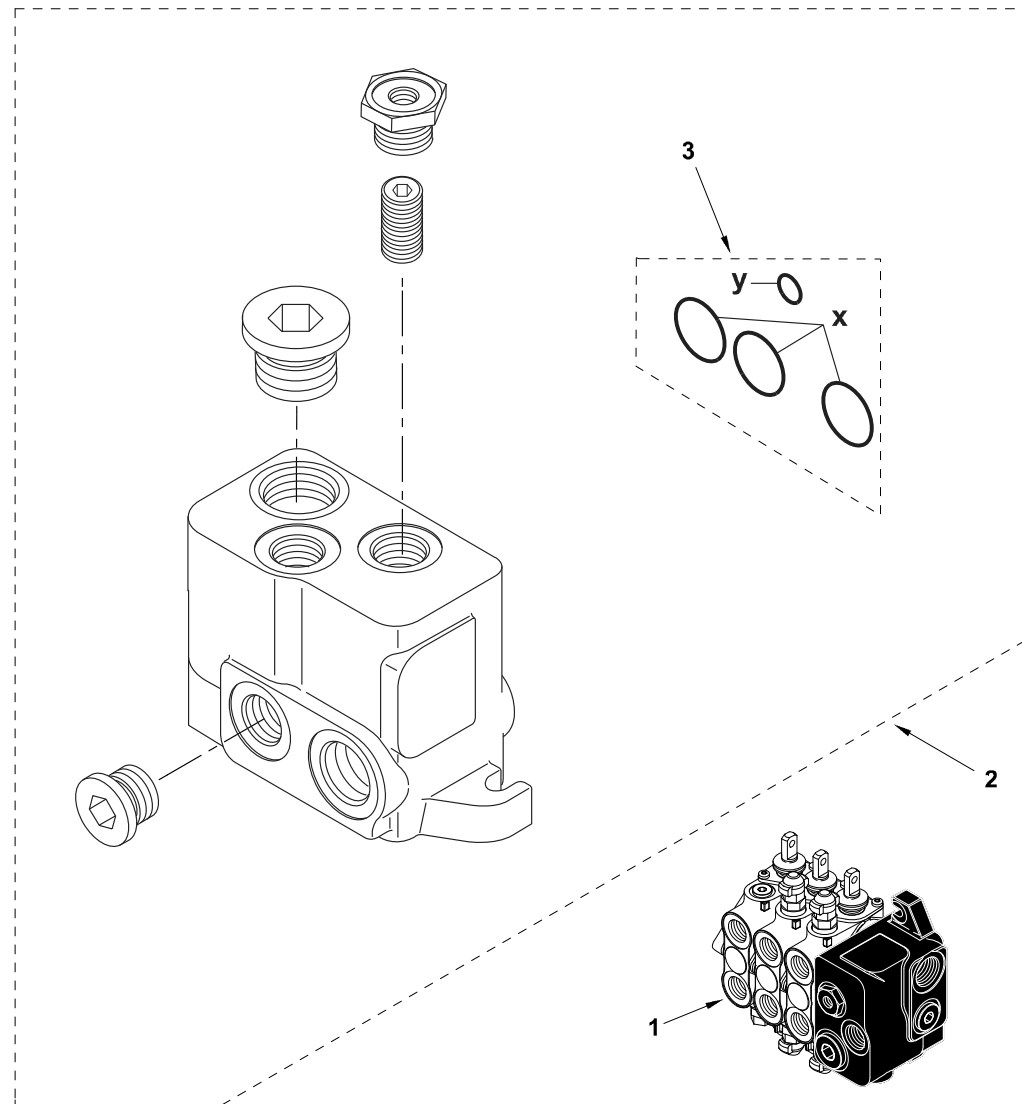
C-68004-03.1-A



Item	Part No.	Qty.	English	French	German	Spanish	Remarks
1	6109325M91	1	Valve Assembly - Loader Rexroth	Ensemble Distributio	Steuerventilblock Kp	Distribuidor, Conj.	
2	6109370M91	1	Plate - Rexroth Loader Valve W/Assy	Plaque	Platte	Placa, Conj.	
3	3009496X1	3	Bolt Hex - M10 X 45 (Coarse)	Boulon M10 X 45	Maschschraube - M10	Tornillo	
4	385362X1	3	Washer, Hardened - M10	Rondelle - M10	Unterlegscheibe M10	Arandela	
5	1440329X1	3	Nut, Hex. - Nyloc, M10	Ecrou Blocage	Flachmutter M10	Tuerca De Retención	
6	365715X91	5	Connector, Hydr.-Straight, 1 1/16 X 7/8	Borne	Doppelnippel	Conexión, Conj.	
7	#CONNECTOR	1	Connector	Connector	Connector	Connector	Ref. 6
8	835025M1	1	Ring O	Joint Torique	O Ring	Junta De Tipo O	
9	835057M91	1	Connector B1510m-12-12	Raccord	Schraubanschluss	Conexión, Conj.	
10	#CONNECTOR	1	Connector	Connector	Connector	Connector	Ref. 9
11	835025M1	1	Ring O	Joint Torique	O Ring	Junta De Tipo O	
12	357197X91	1	Elbow & O Ring	Coude	Kniestück, 90°	Codo, 90°	
13	#ELBOW	1	Elbow	Elbow	Elbow	Elbow	Ref. 12
14	831452M1	1	O Ring (Pack Of 10)	Joint Torique	O Ring	Junta De Tipo O	
15	358764X91	1	Elbow 90 Deg	Coude 90°	Kniestück, 90°	Codo, 90°	
16	#ELBOW	1	Elbow	Elbow	Elbow	Elbow	Ref. 15
17	835025M1	1	Ring O	Joint Torique	O Ring	Junta De Tipo O	
18	835014M91	1	Connector - 1 5/16" To 1 5/16"	Borne	Doppelnippel	Unión	
19	#CONNECTOR	1	Connector	Connector	Connector	Connector	Ref. 18
20	835026M1	1	O-Ring	Joint Torique	O-Ring	Junta De Tipo O	
21	6109210M91	1	Valve - Loader 3 Spool Mechanical	Ensemble Distributio	Steuerventilblock Kp	Distribuidor, Conj.	68004c04.1 1



C-68004-04.1-A

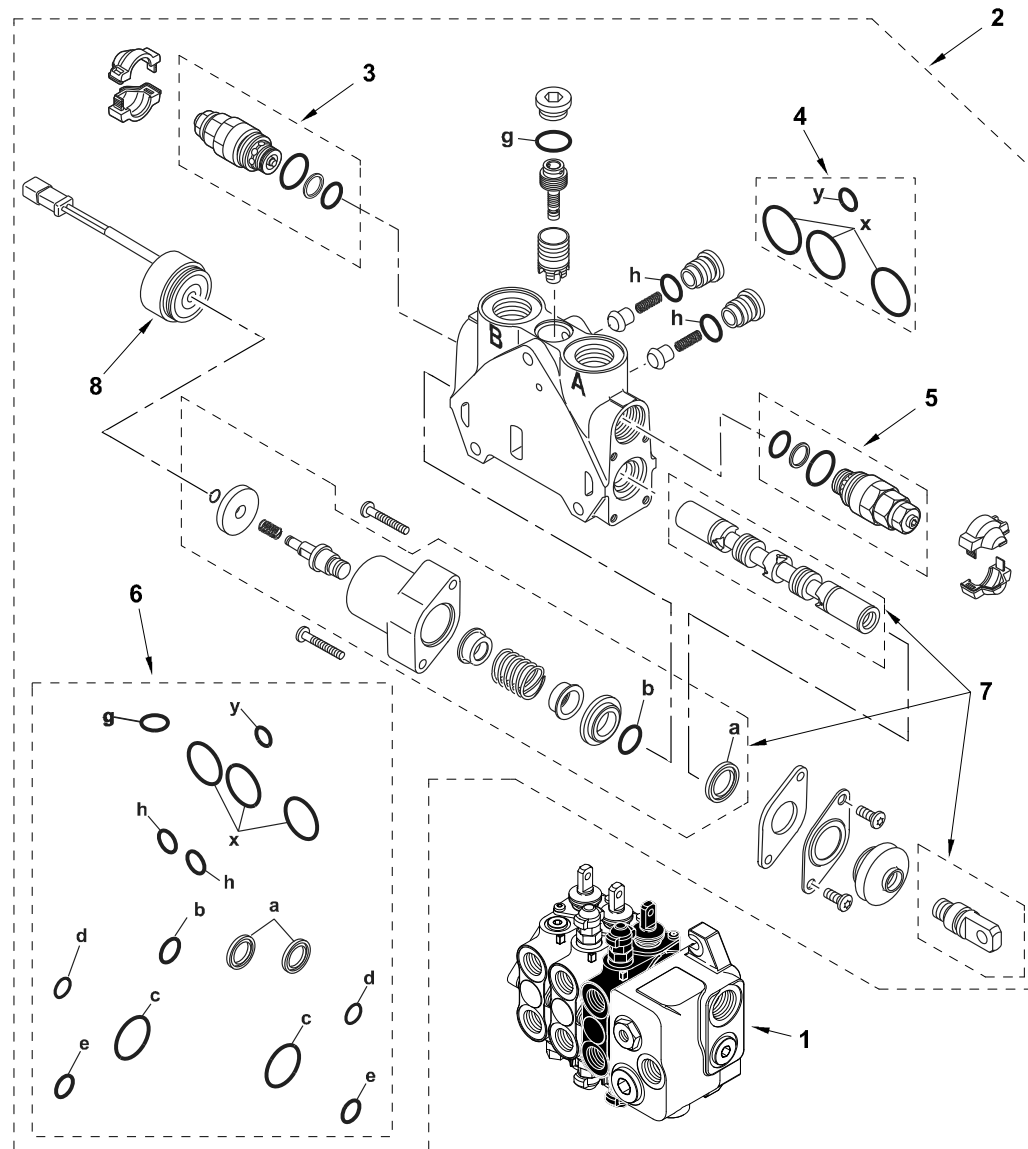




<b>Item</b>	<b>Part No.</b>	<b>Qty.</b>	<b>English</b>	<b>French</b>	<b>German</b>	<b>Spanish</b>	<b>Remarks</b>
1	6109210M91	1	Valve - Loader 3 Spool Mechanical	Ensemble Distributio	Steverventilblock Kp	Distribuidor, Conj.	
2	6194535M91	1	Element - Inlet	Element - Soupape	Element - Ventil	Elemento - Válvula	Inlet
3	6193771M91	1	Seal Interface Kit	Pochette De Joints	Dichsatz	Juego De Juntas	



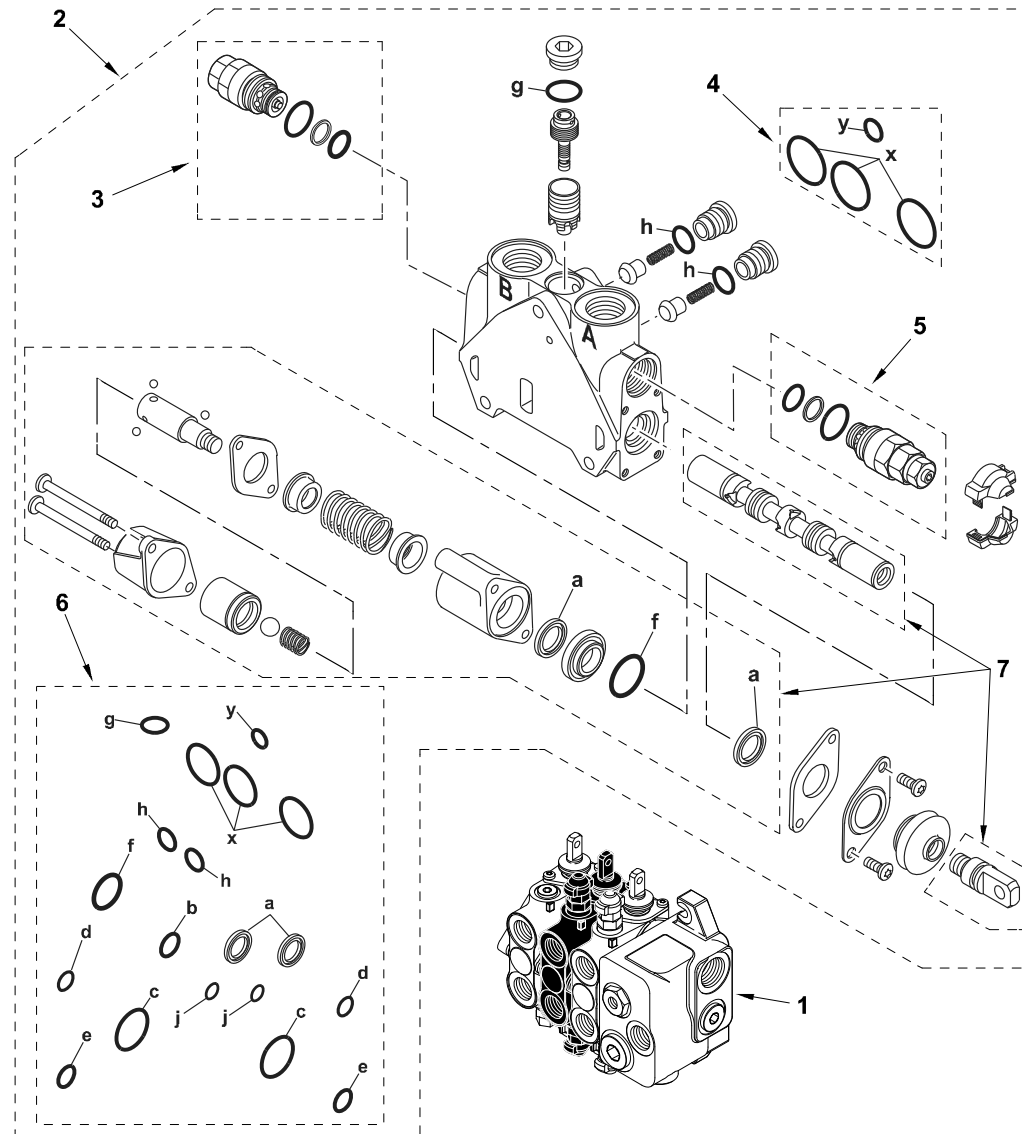
C-68004-05.1-C



Item	Part No.	Qty.	English	French	German	Spanish	Remarks
1	6109210M91	1	Valve - Loader 3 Spool Mechanical	Ensemble Distributio	Steverventilblock Kp	Distribuidor, Conj.	
2	6194531M91	1	Element - Bucket	Element - Soupape	Element - Ventil	Elemento - Válvula	
3	6193804M91	1	Pressure Relief Valve H (310 Bar)	Valve Decharge	Druckbegrventil	Válvula De Seguridad	
4	6193771M91	1	Seal Interface Kit	Pochette De Joints	Dichsatz	Juego De Juntas	
5	6193801M91	1	Pressure Relief Valve H (345 Bar)	Valve Decharge	Druckbegrventil	Válvula De Seguridad	
6	6193781M91	1	Seal Kit Complete	Jeu Etancheite	Dichtringsatz	Juege De Juntas	
7	6194835M91	1	Spool Kit (Slice - Loader Bucket)	Jeu Tiroir	Schieber Satz	Juego Carrete	
8	6195101M91	1	Solenoid Kit	Solenoide	Magnetspule	Solenoide, Conj.	



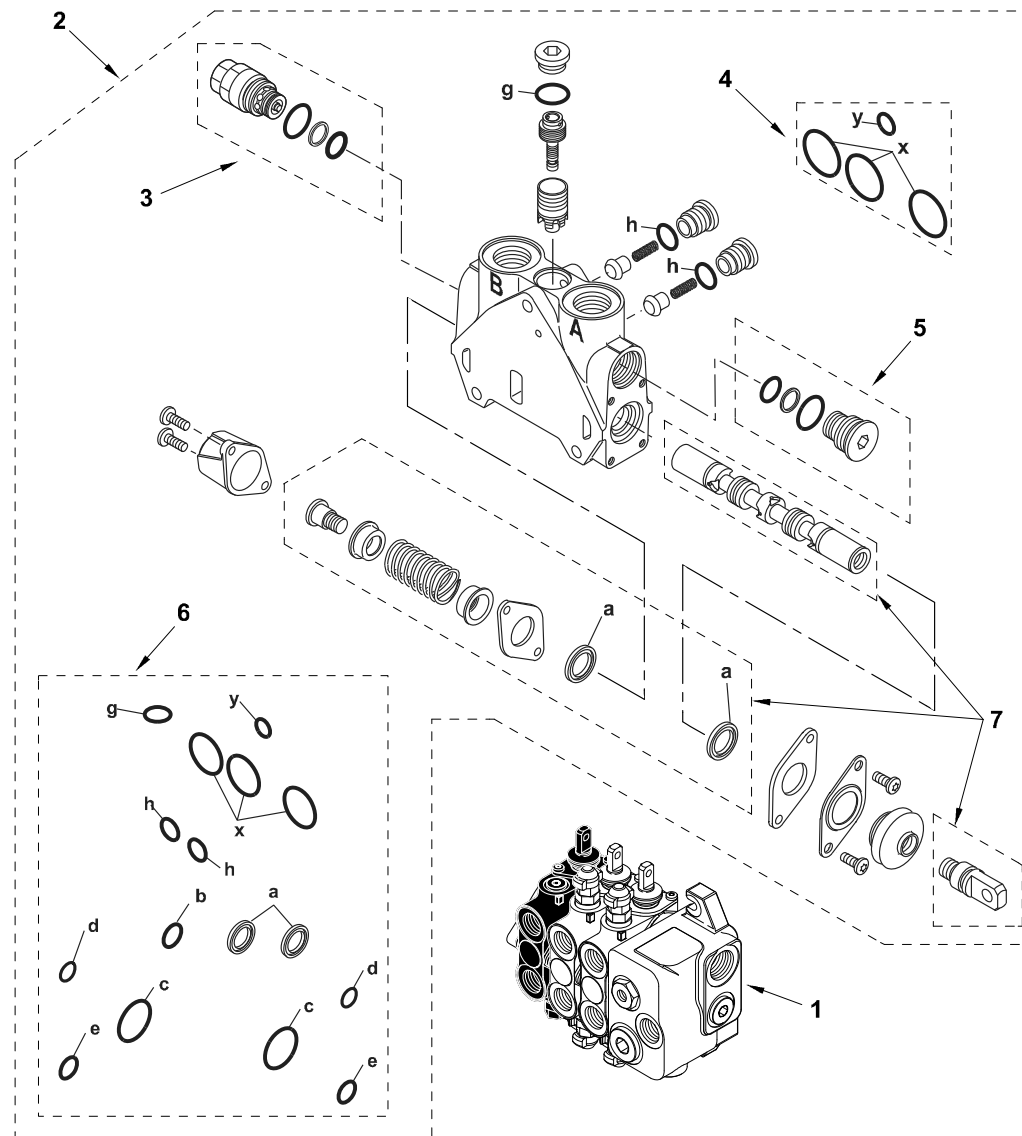
C-68004-06.1-B



Item	Part No.	Qty.	English	French	German	Spanish	Remarks
1	6109210M91	1	Valve - Loader 3 Spool Mechanical	Ensemble Distributio	Steverventilblock Kp	Distribuidor, Conj.	Continued
2	6194532M91	1	Element - Dipper	Element - Soupape	Element - Ventil	Elemento - Válvula	
3	6193782M91	1	Anti-Cavitation Valve E Port B	Ensemble De Soupape	Ventil Kpl.	Válvula, Conj.	
4	6193771M91	1	Seal Interface Kit	Pochette De Joints	Dichsatz	Juego De Juntas	
5	6193800M91	1	Pressure Relief Valve H 240 Bar	Valve Decharge	Druckbegrventil	Válvula De Seguridad	
6	6194518M91	1	Seal Kit	Jeu Etancheite	Dichtringsatz	Juego De Juntas	
7	6194836M91	1	Spool Kit (Slice - Loader Arm)	Jeu Tiroir	Schieber Satz	Juego Carrete	



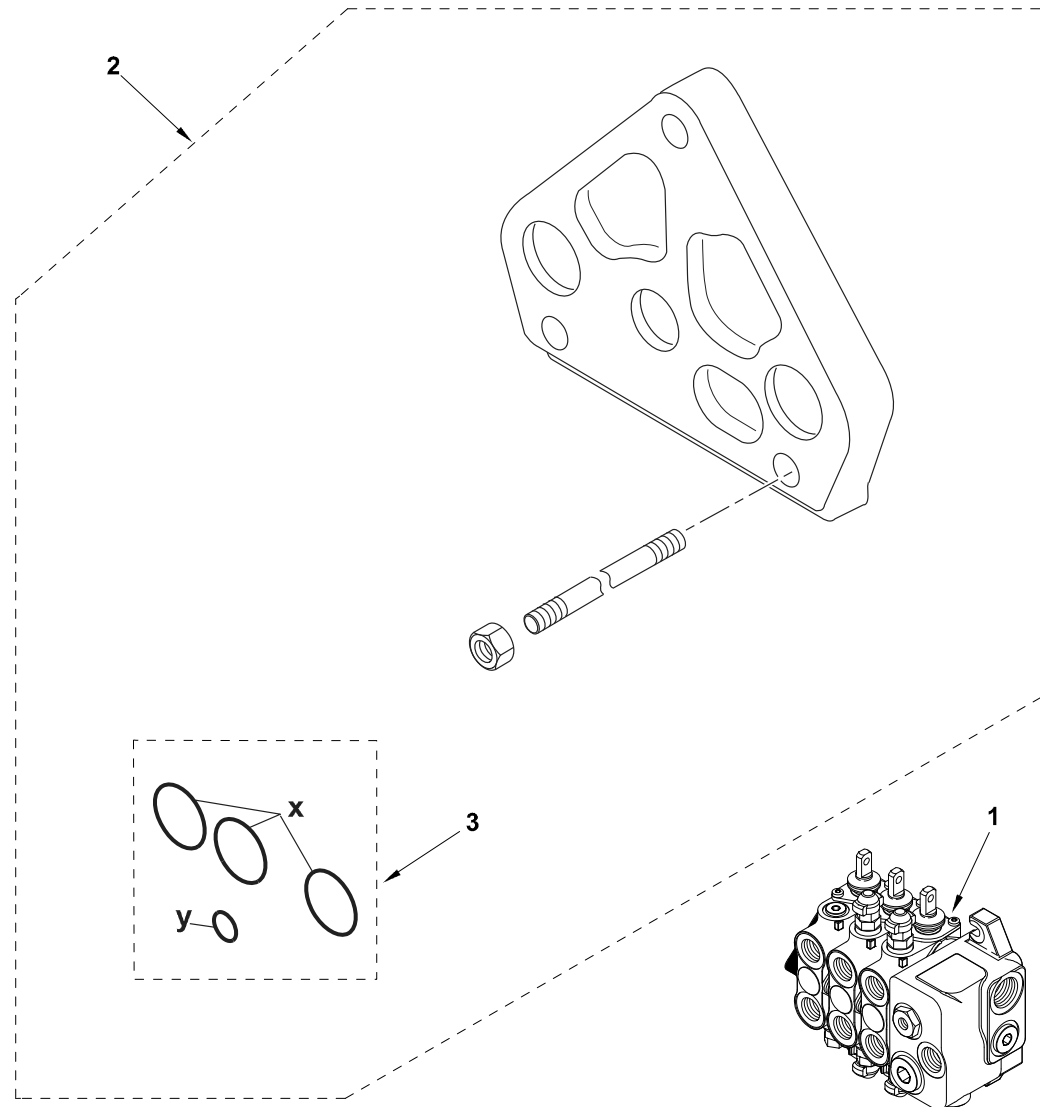
C-68004-07.1-B



Item	Part No.	Qty.	English	French	German	Spanish	Remarks
1	6109210M91	1	Valve - Loader 3 Spool Mechanical	Ensemble Distributio	Steverventilblock Kp	Distribuidor, Conj.	
2	6194533M91	1	Element - 4 X 1	Element - Soupape	Element - Ventil	Elemento - Válvula	
3	6193782M91	1	Anti-Cavitation Valve E Port B	Ensemble De Soupape	Ventil Kpl.	Válvula, Conj.	
4	6193771M91	1	Seal Interface Kit	Pochette De Joints	Dichsatz	Juego De Juntas	
5	6193785M91	1	Plug Q - Port B	Bouchon	Stopfen	Tapón, Conj.	
6	6193791M91	1	Seal Kit - L/S Valve	Jeu Étanchéité	Dichtringsatz	Juego De Juntas	
7	6194828M91	1	Spool Kit (Slice - Bucket 4 In 1 Loader)	Jeu Tiroir	Schieber Satz	Juego Carrete	



C-68004-08.1-A

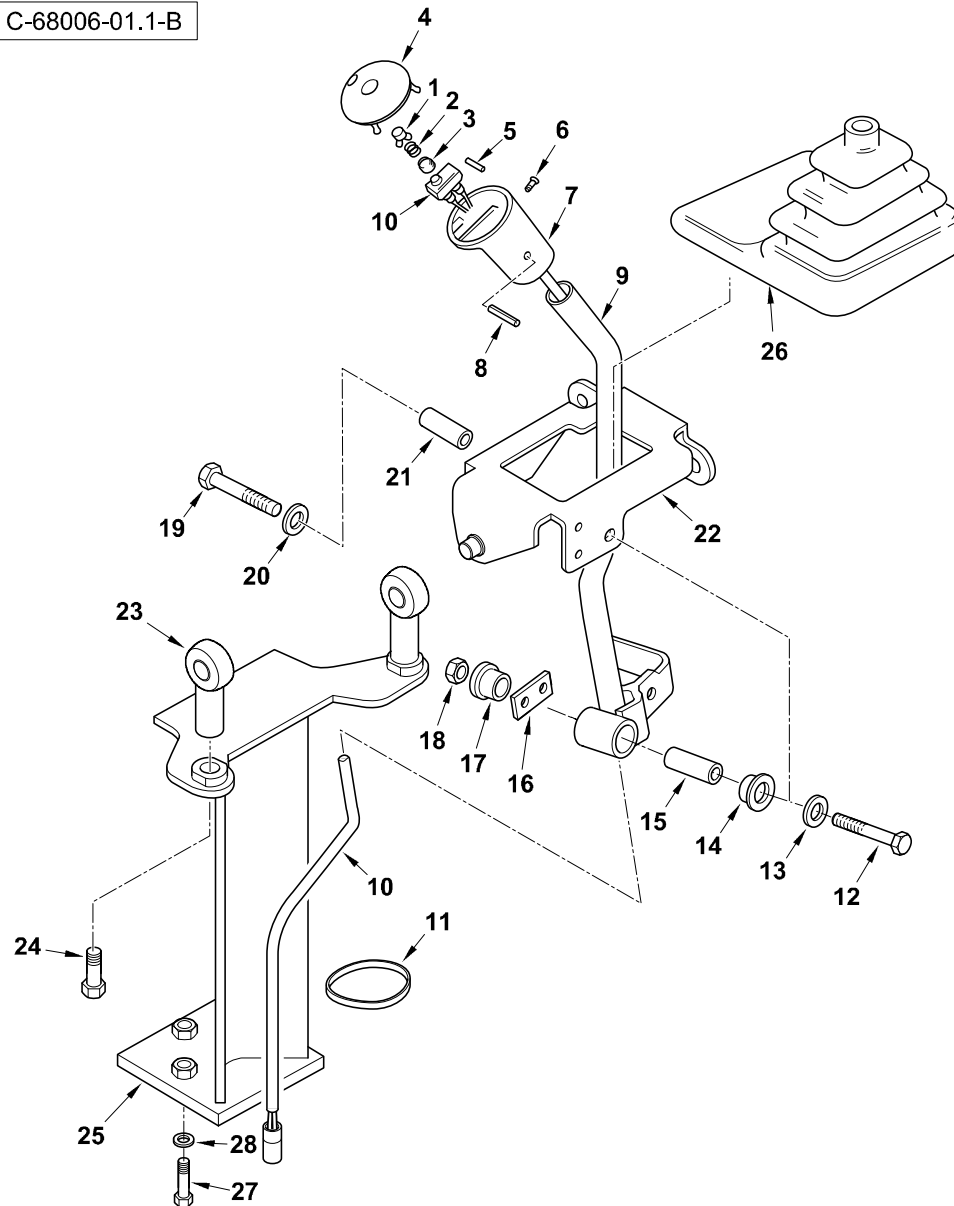




<b>Item</b>	<b>Part No.</b>	<b>Qty.</b>	<b>English</b>	<b>French</b>	<b>German</b>	<b>Spanish</b>	<b>Remarks</b>
1	6109210M91	1	Valve - Loader 3 Spool Mechanical	Ensemble Distributio	Steverventilblock Kp	Distribuidor, Conj.	
2	6194517M91	1	Element - Outlet	Element - Soupape	Element - Ventil	Elemento - Válvula	
3	6193771M91	1	Seal Interface Kit	Pochette De Joints	Dichsatz	Juego De Juntas	

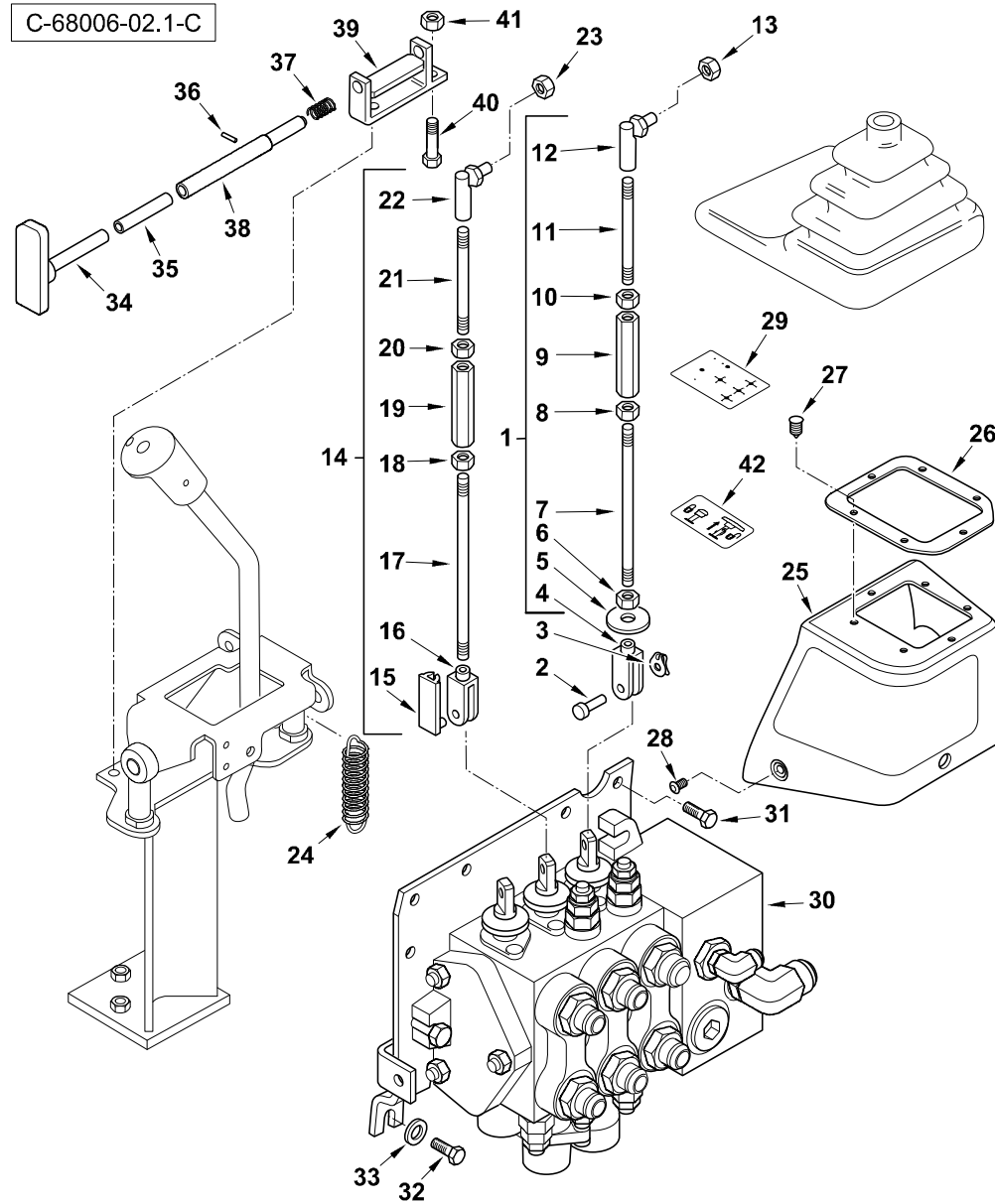


C-68006-01.1-B



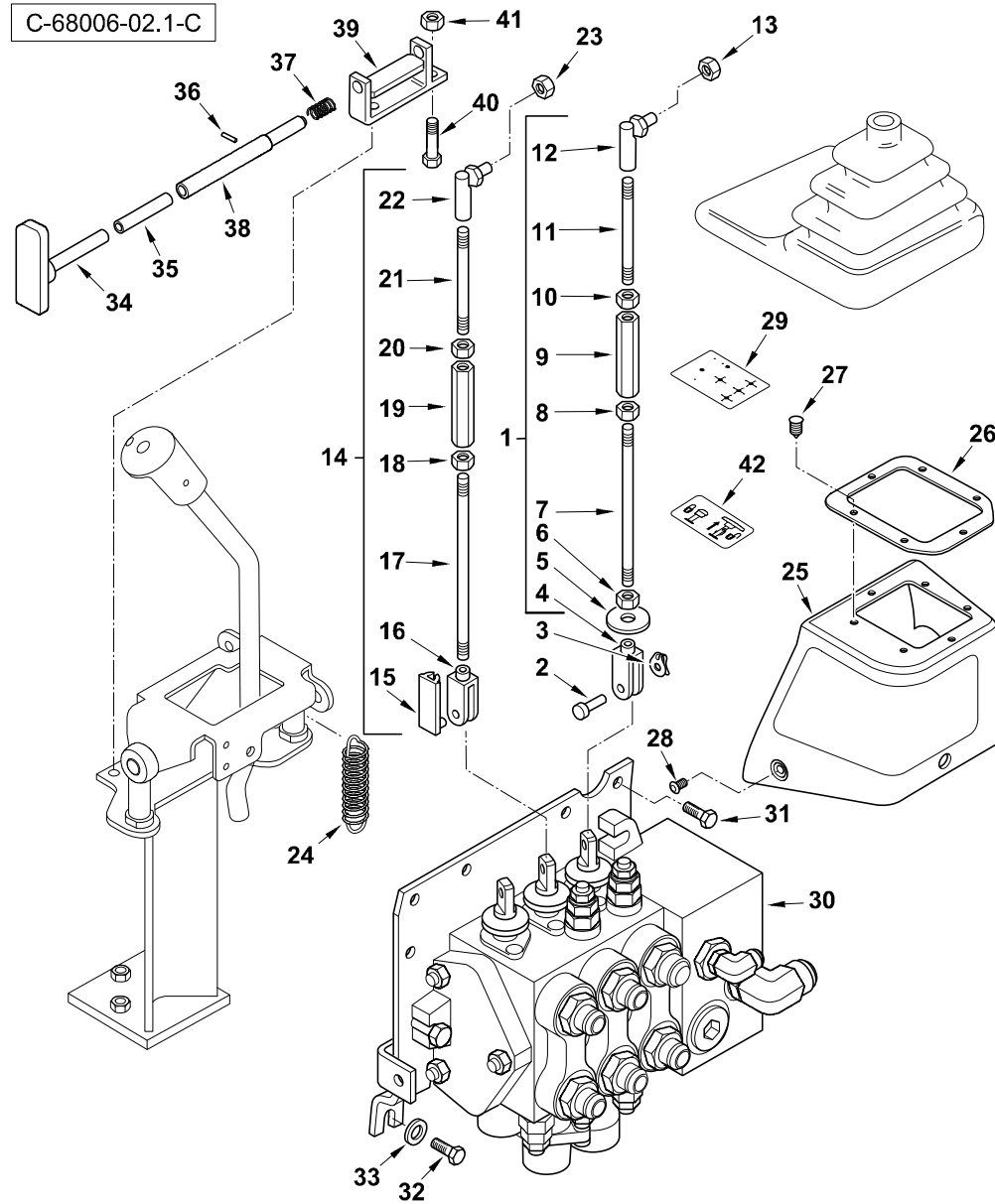
Item	Part No.	Qty.	English	French	German	Spanish	Remarks
1	3521894M4	2	Button Ldr Cntls	Bouton	Knopf	Botón	
2	3520328M3	2	Spring	Siege De Ressort	Feder	Muelle	
3	3522894M1	2	Boot Control Knob	Coffre	Schutzkappe	Fuelle	
4	3522285M5	1	Knob Top Ldr Cntl	Boule	Knauf	Bola	
5	3522507M3	4	Pin Parallel	Goupille D´Arrêt	Sicherungsstift	Pasador	
6	3516886M1	2	Screw C/Sk 1/4 Lng	Vis	Schraube	Tornillo	
7	3522621M5	1	Base Control Knob	Poignée De Levier	Griff	Empuñ. Palanca	
8	3019531X1	1	Pin - Roll	Goupille Elastique	Spannhulse	Pasador Elástico	
9	6109383M91	1	Lever - Loader Control W/Assy	Levier	Hebel	Palanca, Conj.	
10	3516043M94	1	Switch And Harness - Ldr. Cont. Lever	Interrupteur	Beschirrung	Haz	
11	1664405M1	1	Tie Mm T50s	Attache Cable	Kabelbinder	Enlace De Cable	
12	339159X1	1	Bolt M8-65	Boulon	Bolzen	Tornillo	
13	6108769M1	1	Washer-M8 Nord-Lock	Rondelle De Blocage	Federring M8	Arandela De Freno	
14	6106560M1	1	Bush	Douille	Buechse	Anillo	
15	6106561M3	1	Spacer-Loader Controls	Entretoise	Abstandstueck	Traviesa	
16	6106562M1	1	Plate-L/Cont. Tie Bar	Barre	Stab	Placa	
17	6106560M1	1	Bush	Douille	Buechse	Anillo	
18	394367X1	1	Nut, Hex. - Nyloc, M8	Ecrou Blocage M8	Flachmutter - M8	Tuerca De Retención	
19	339291X1	1	Bolt M8-55 Z5s	Goupille	Bolzen M8 X 55	Tornillo	
20	6108769M1	1	Washer-M8 Nord-Lock	Rondelle De Blocage	Federring M8	Arandela De Freno	
21	6106561M3	1	Spacer-Loader Controls	Entretoise	Abstandstueck	Traviesa	
22	6109381M91	1	Cradle - Rexroth Valve W/Assy	Berceau	Fahrschemel	Soporte	
23	6102844M1	2	Rodend-M12 Spherical	Support De Fixation	Kugelkopf, Plastik	Soporte De Fijación	
24	3009505X1	2	Hex. Bolt, M12 X 25 - Coarse	Boulon	Bolzen M12 X 25	Perno	
25	6109802M91	1	Loader Control Column Assy	Ensemble De Support	Haltevorrichtung	Apoyadero, Conj.	
26	6109927M1	1	Gaiter (Black) - Loader Lever	Souf•et	Manschette	Fuelle	
27	339009X1	3	Bolt - M8 X 35	Boulon M8 X 35	Maschschraube M8	Tornillo	
28	339374X1	3	Washer M8 -21-2 Z	Rondelle Frein - M8	Federring - M8	Arandela De Freno	





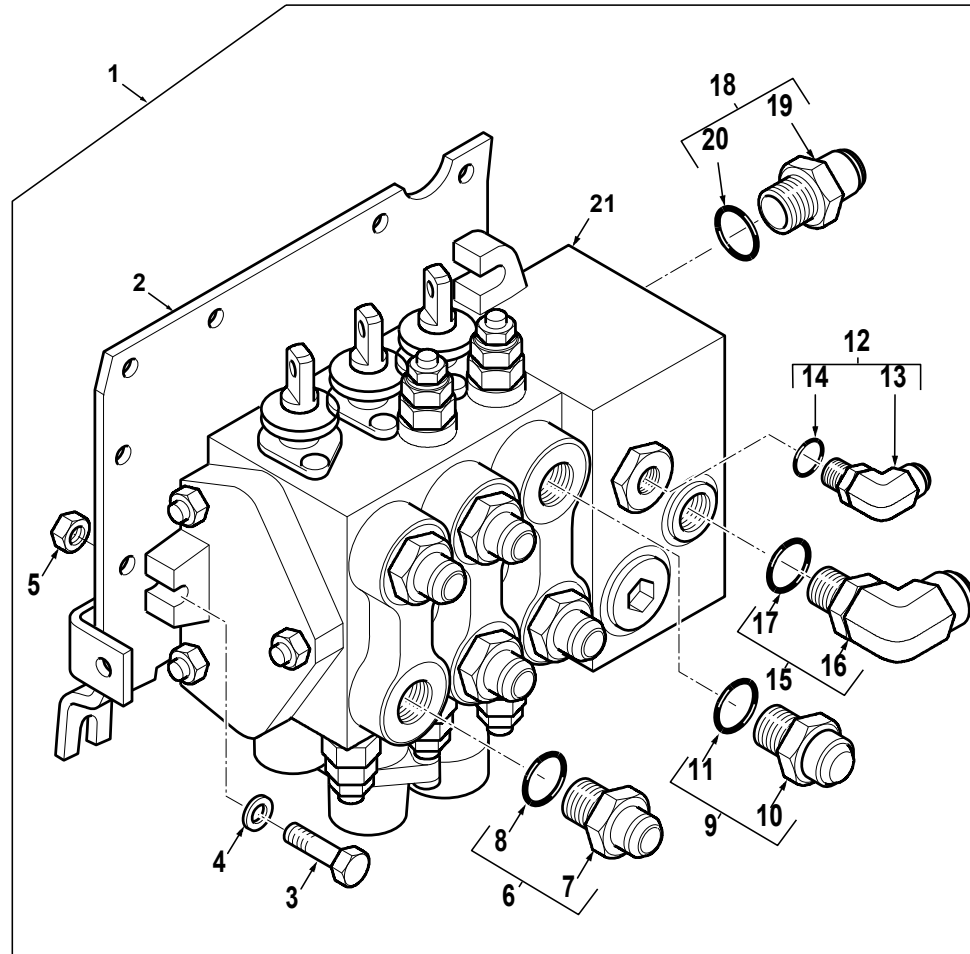
Item	Part No.	Qty.	English	French	German	Spanish	Remarks
1	6102738M93	1	Rod Assy. - Loader Control	Ensemble Tringlerie	Gestänge	Tirantes, Conj.	
2	6102816M1	1	Pin-Clevis	Axe De Chape	Gabelstift	Eje De Brida	
3	3516322M1	1	Clip, Spring - No.8	Clip	Klips	Clip	
4	3519590M1	1	Clevis LH Thread	Chape	Gabelverbindung	Brida	
5	3518878M3	1	Washer	Rondelle	Scheibe	Arandela	
6	3519650M1	1	Nut, Hex - M8, L/H Thread	Ecrou	Mutter	Tuerca	
7	#ROD	1	Rod	Rod	Rod	Rod	Ref. 1
8	339169X1	1	Nut, Hex. - M8, Coarse	Ecrou Métrique	Mutter Metrisch	Tuerca	
9	6102733M1	1	Turnbuckle M8	Tendeur De Tringle	Spannschloss	Torniquete	
10	3519650M1	1	Nut, Hex - M8, L/H Thread	Ecrou	Mutter	Tuerca	
11	#ROD	1	Rod	Rod	Rod	Rod	Ref. 1
12	3519589M1	1	Ball-Joint	Rotule	Kugelgelenk	Rotula	
13	394367X1	1	Nut, Hex. - Nyloc, M8	Ecrou Blocage M8	Flachmutter - M8	Tuerca De Retención	
14	6102737M92	1	Rod Assy. - Loader Control	Tringle	Stange	Tirantes, Conj.	
15	3520666M1	1	Pin W/ Spring Clip	Axe De Chape	Gabelstift	Eje De Brida	
16	3519590M1	1	Clevis LH Thread	Chape	Gabelverbindung	Brida	
17	#ROD	1	Rod	Rod	Rod	Rod	Ref. 14
18	339169X1	1	Nut, Hex. - M8, Coarse	Ecrou Métrique	Mutter Metrisch	Tuerca	
19	6102733M1	1	Turnbuckle M8	Tendeur De Tringle	Spannschloss	Torniquete	
20	3519650M1	1	Nut, Hex - M8, L/H Thread	Ecrou	Mutter	Tuerca	
21	#ROD	1	Rod	Rod	Rod	Rod	Ref. 14
22	3519589M1	1	Ball-Joint	Rotule	Kugelgelenk	Rotula	
23	394367X1	1	Nut, Hex. - Nyloc, M8	Ecrou Blocage M8	Flachmutter - M8	Tuerca De Retención	
24	6109761M1	1	Spring-Ldr Control	Siège De Ressort	Federsitz	Muelle	
25	6099536M1	1	Loader Tower - W/Lock (Grey)	Boite	Schachtel	Consola	
26	3516856M3	1	Plate, Gaiter - Loader Controls	Plaque	Platte	Placa	
27	3521303M3	6	Fastener, Plastic - Gear Lever Gaiter	Agrafe	Halteklammer	Enganche	
28	3512552M1	3	Screw Pan Hd.M5 X 12	Vis	Schraube	Tornillo	
29	6101873M1	1	Decal-Ldr Controls Std	Adhésif	Aufkleber	Adhesivo	
30	6109325M91	1	Valve Assembly - Loader Rexroth	Ensemble Distributio	Steuerventilblock Kp	Distribuidor, Conj.	68006c03.1 1





Item	Part No.	Qty.	English	French	German	Spanish	Remarks
31	3009492X1	2	Bolt - Hex. M10 X 25	Boulon M10 X 25	Schraube M10 X 25	Tornillo	
32	3009492X1	1	Bolt - Hex. M10 X 25	Boulon M10 X 25	Schraube M10 X 25	Tornillo	
33	385362X1	1	Washer, Hardened - M10	Rondelle - M10	Unterlegscheibe M10	Arandela	
34	6101939M91	1	Handle-T Assy	Poignée	Handgriff	Asa	
35	6101938M1	1	Spacer-Tube	Entretoise	Distanzstück	Traviesa	
36	1441736X1	1	Pin Spirol 5-26	Goupille D´Arrêt	Klappstecker	Pasador Elástico	
37	3516136M2	1	Spring	Siège De Ressort	Federsitz	Muelle	
38	3519365M1	1	Rod Locking	Tringle	Stange	Vástago	
39	6108293M92	1	Bracket Assy Loader Control	Patte Fixation	Halter	Cuchara, Conj.	
40	339666X1	2	Bolt M6-20 Z5f	Boulon M6 X 20	Maschschraube Metr M	Tornillo	
41	1441500X1	2	Nut M6 Z5 Nyloc	Ecrou	Flachmutter M6	Tuerca De Retención	
42	6101872M1	1	Decal - Loader Lever Lock	Adhésif	Aufkleber	Adhesivo	

C-68006-03.1-A

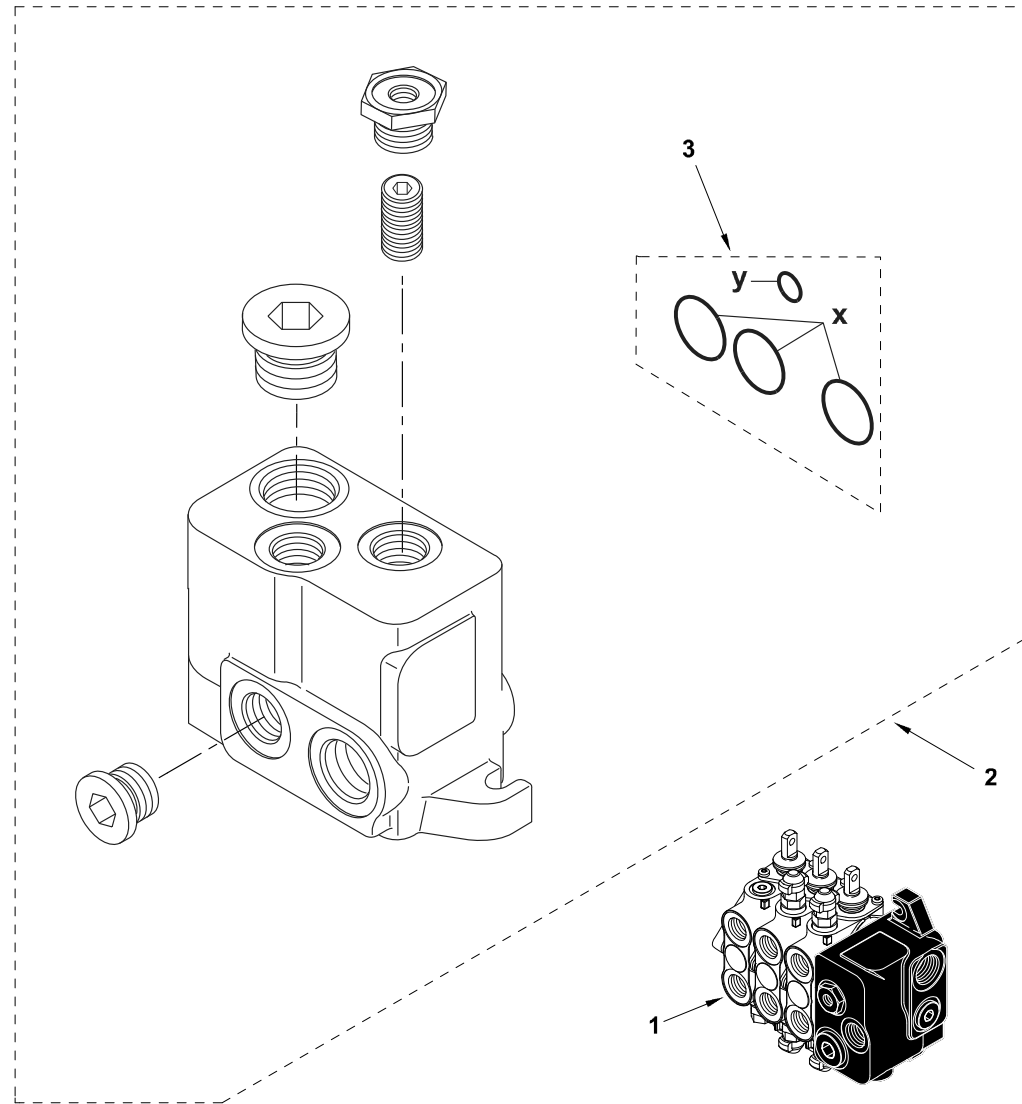




Item	Part No.	Qty.	English	French	German	Spanish	Remarks
1	6109325M91	1	Valve Assembly - Loader Rexroth	Ensemble Distributio	Steuerventilblock Kp	Distribuidor, Conj.	
2	6109370M91	1	Plate - Rexroth Loader Valve W/Assy	Plaque	Platte	Placa, Conj.	
3	3009496X1	3	Bolt Hex - M10 X 45 (Coarse)	Boulon M10 X 45	Maschschraube - M10	Tornillo	
4	385362X1	3	Washer, Hardened - M10	Rondelle - M10	Unterlegscheibe M10	Arandela	
5	1440329X1	3	Nut, Hex. - Nyloc, M10	Ecrou Blocage	Flachmutter M10	Tuerca De Retención	
6	365715X91	5	Connector, Hydr.-Straight, 1 1/16 X 7/8	Borne	Doppelnippel	Conexión, Conj.	
7	#CONNECTOR	1	Connector	Connector	Connector	Connector	Ref. 6
8	835025M1	1	Ring O	Joint Torique	O Ring	Junta De Tipo O	
9	835057M91	1	Connector B1510m-12-12	Raccord	Schraubanschluss	Conexión, Conj.	
10	#CONNECTOR	1	Connector	Connector	Connector	Connector	Ref. 9
11	835025M1	1	Ring O	Joint Torique	O Ring	Junta De Tipo O	
12	357197X91	1	Elbow & O Ring	Coude	Kniestück, 90°	Codo, 90°	
13	#ELBOW	1	Elbow	Elbow	Elbow	Elbow	Ref. 12
14	831452M1	1	O Ring (Pack Of 10)	Joint Torique	O Ring	Junta De Tipo O	
15	358764X91	1	Elbow 90 Deg	Coude 90°	Kniestück, 90°	Codo, 90°	
16	#ELBOW	1	Elbow	Elbow	Elbow	Elbow	Ref. 15
17	835025M1	1	Ring O	Joint Torique	O Ring	Junta De Tipo O	
18	835014M91	1	Connector - 1 5/16" To 1 5/16"	Borne	Doppelnippel	Unión	
19	#CONNECTOR	1	Connector	Connector	Connector	Connector	Ref. 18
20	835026M1	1	O-Ring	Joint Torique	O-Ring	Junta De Tipo O	
21	6109210M91	1	Valve - Loader 3 Spool Mechanical	Ensemble Distributio	Steuerventilblock Kp	Distribuidor, Conj.	68006c04.1 1



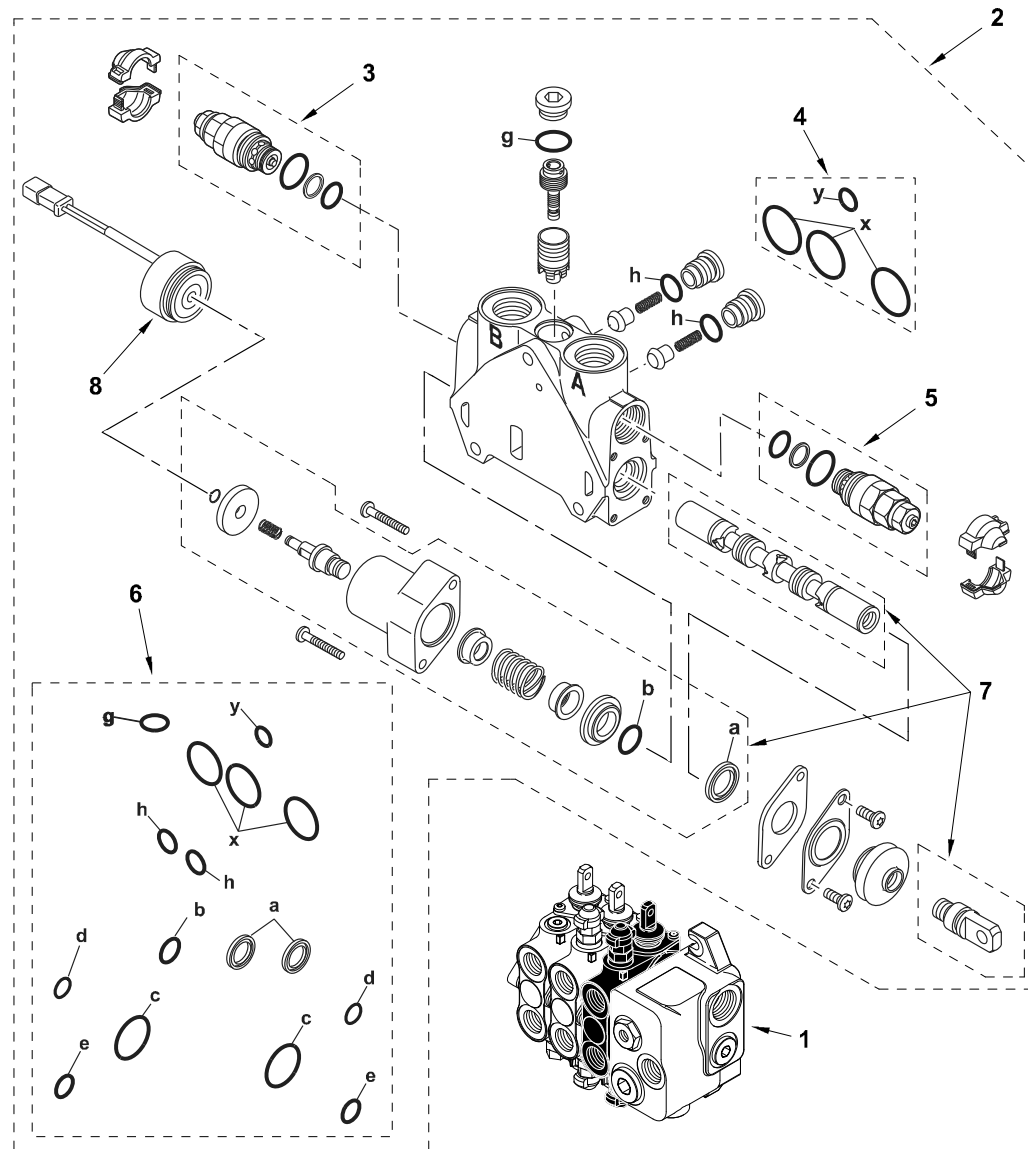
C-68006-04.1-A



<b>Item</b>	<b>Part No.</b>	<b>Qty.</b>	<b>English</b>	<b>French</b>	<b>German</b>	<b>Spanish</b>	<b>Remarks</b>
1	6109210M91	1	Valve - Loader 3 Spool Mechanical	Ensemble Distributio	Steverventilblock Kp	Distribuidor, Conj.	
2	6194535M91	1	Element - Inlet	Element - Soupape	Element - Ventil	Elemento - Válvula	Inlet
3	6193771M91	1	Seal Interface Kit	Pochette De Joints	Dichsatz	Juego De Juntas	

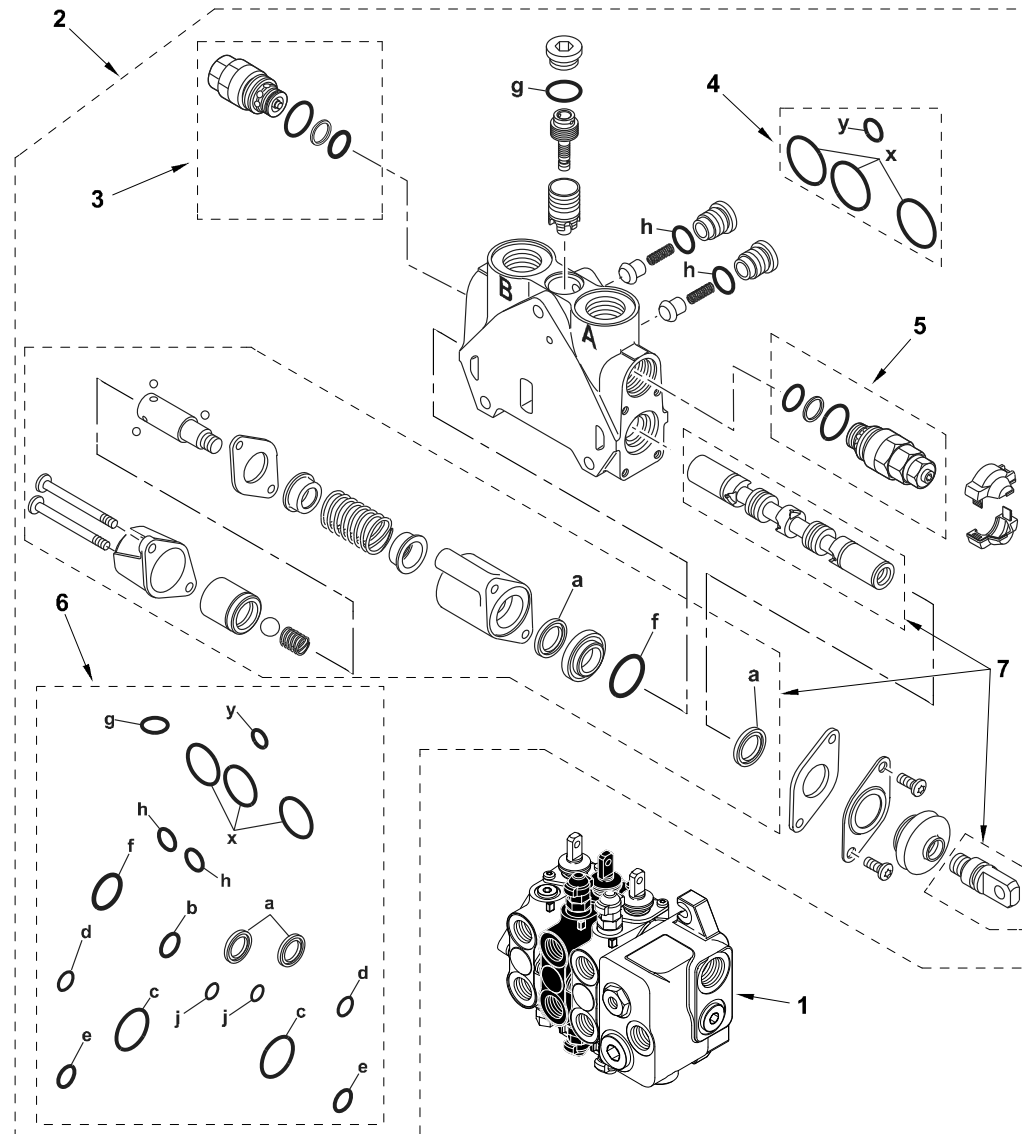


C-68006-05.1-C



Item	Part No.	Qty.	English	French	German	Spanish	Remarks
1	6109210M91	1	Valve - Loader 3 Spool Mechanical	Ensemble Distributio	Steverventilblock Kp	Distribuidor, Conj.	
2	6194531M91	1	Element - Bucket	Element - Soupape	Element - Ventil	Elemento - Válvula	
3	6193804M91	1	Pressure Relief Valve H (310 Bar)	Valve Decharge	Druckbegrventil	Válvula De Seguridad	
4	6193771M91	1	Seal Interface Kit	Pochette De Joints	Dichsatz	Juego De Juntas	
5	6193801M91	1	Pressure Relief Valve H (345 Bar)	Valve Decharge	Druckbegrventil	Válvula De Seguridad	
6	6193781M91	1	Seal Kit Complete	Jeu Etancheite	Dichtringsatz	Juege De Juntas	
7	6194835M91	1	Spool Kit (Slice - Loader Bucket)	Jeu Tiroir	Schieber Satz	Juego Carrete	
8	6195101M91	1	Solenoid Kit	Solenoid	Magnetspule	Solenoid, Conj.	

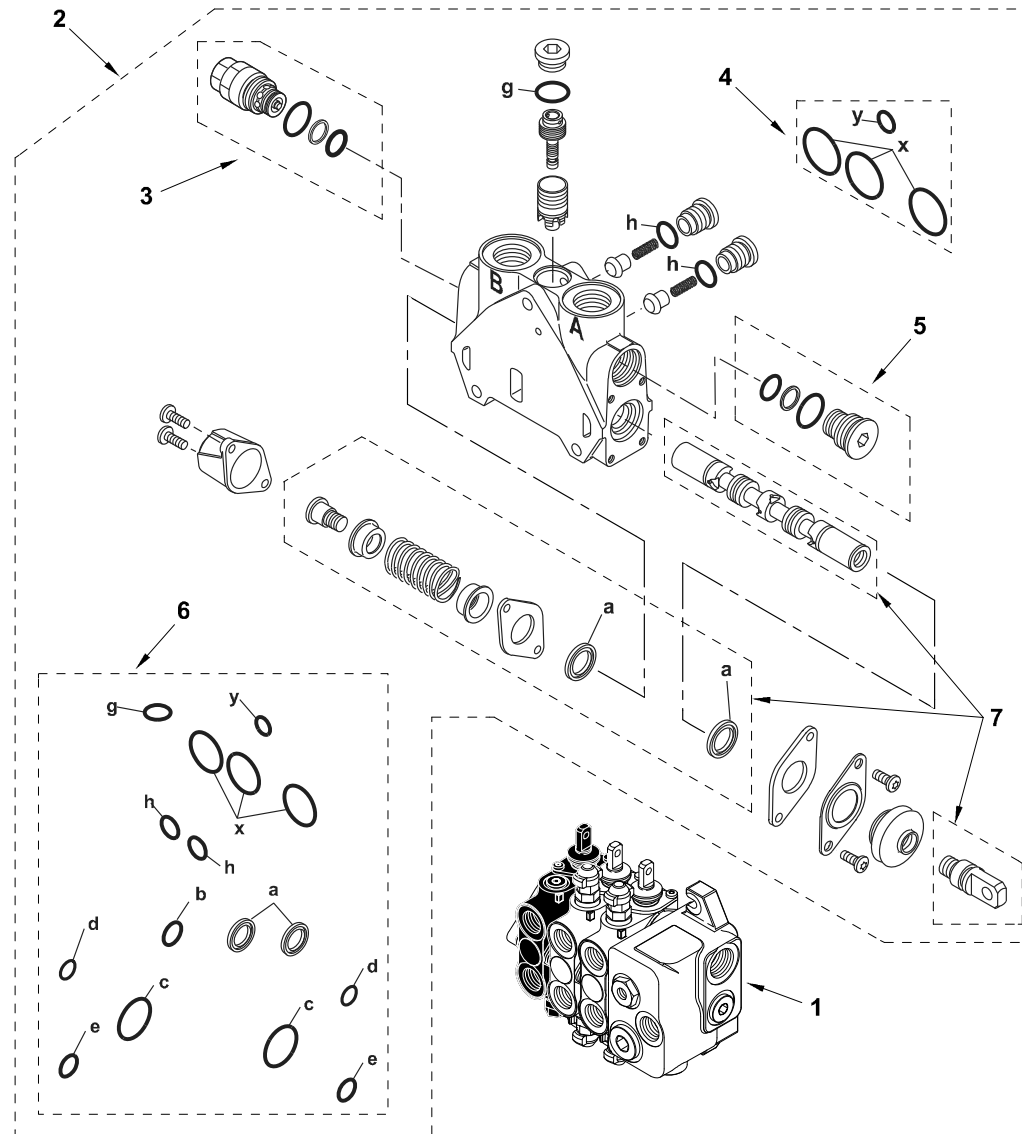
C-68006-06.1-B



Item	Part No.	Qty.	English	French	German	Spanish	Remarks
1	6109210M91	1	Valve - Loader 3 Spool Mechanical	Ensemble Distributio	Steverventilblock Kp	Distribuidor, Conj.	Continued
2	6194532M91	1	Element - Dipper	Element - Soupape	Element - Ventil	Elemento - Válvula	
3	6193782M91	1	Anti-Cavitation Valve E Port B	Ensemble De Soupape	Ventil Kpl.	Válvula, Conj.	
4	6193771M91	1	Seal Interface Kit	Pochette De Joints	Dichsatz	Juego De Juntas	
5	6193800M91	1	Pressure Relief Valve H 240 Bar	Valve Decharge	Druckbegrventil	Válvula De Seguridad	
6	6194518M91	1	Seal Kit	Jeu Etancheite	Dichtringsatz	Juego De Juntas	
7	6194836M91	1	Spool Kit (Slice - Loader Arm)	Jeu Tiroir	Schieber Satz	Juego Carrete	



C-68006-07.1-B

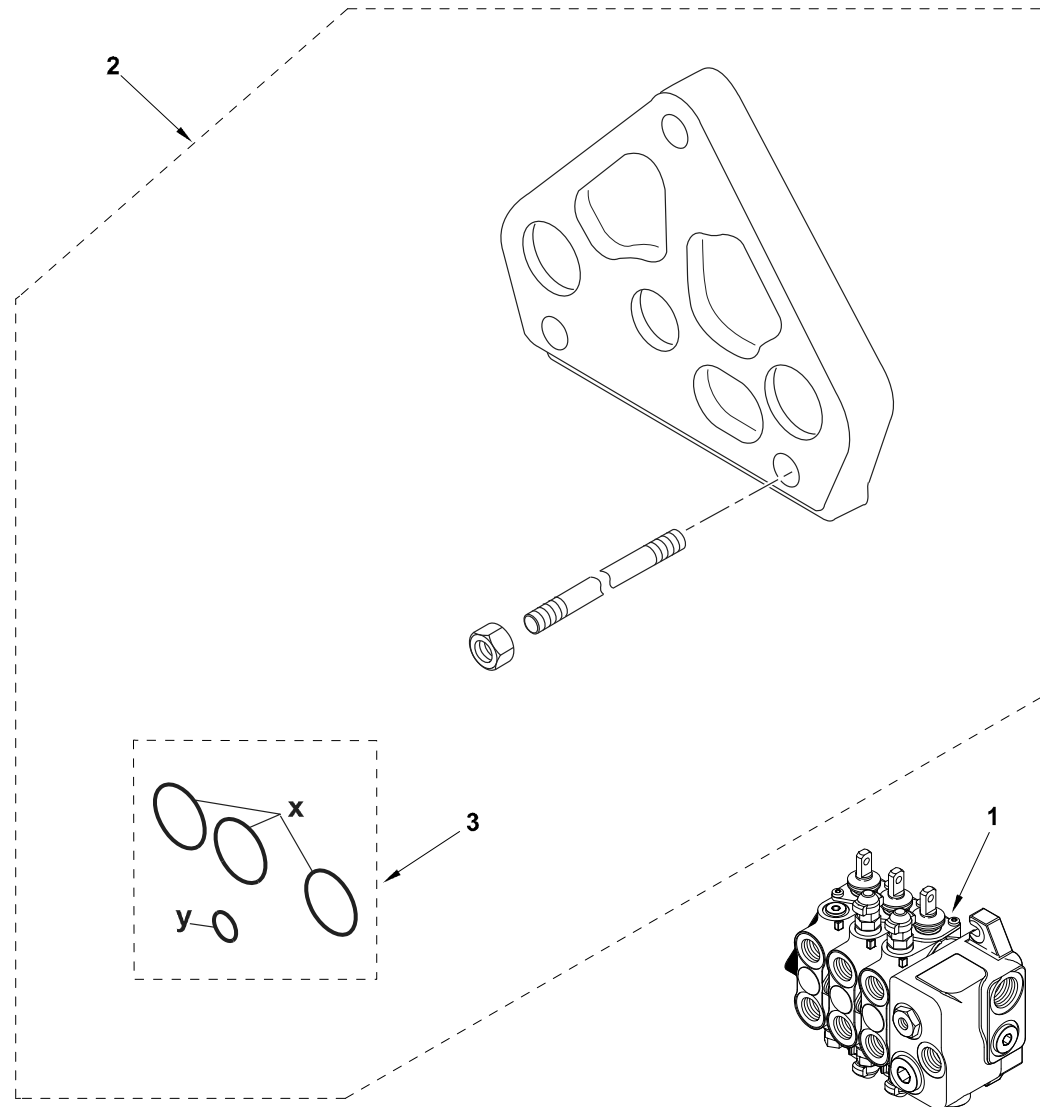




Item	Part No.	Qty.	English	French	German	Spanish	Remarks
1	6109210M91	1	Valve - Loader 3 Spool Mechanical	Ensemble Distributio	Steverventilblock Kp	Distribuidor, Conj.	
2	6194533M91	1	Element - 4 X 1	Element - Soupape	Element - Ventil	Elemento - Válvula	
3	6193782M91	1	Anti-Cavitation Valve E Port B	Ensemble De Soupape	Ventil Kpl.	Válvula, Conj.	
4	6193771M91	1	Seal Interface Kit	Pochette De Joints	Dichsatz	Juego De Juntas	
5	6193785M91	1	Plug Q - Port B	Bouchon	Stopfen	Tapón, Conj.	
6	6193791M91	1	Seal Kit - L/S Valve	Jeu Étanchéité	Dichtringsatz	Juego De Juntas	
7	6194828M91	1	Spool Kit (Slice - Bucket 4 In 1 Loader)	Jeu Tiroir	Schieber Satz	Juego Carrete	

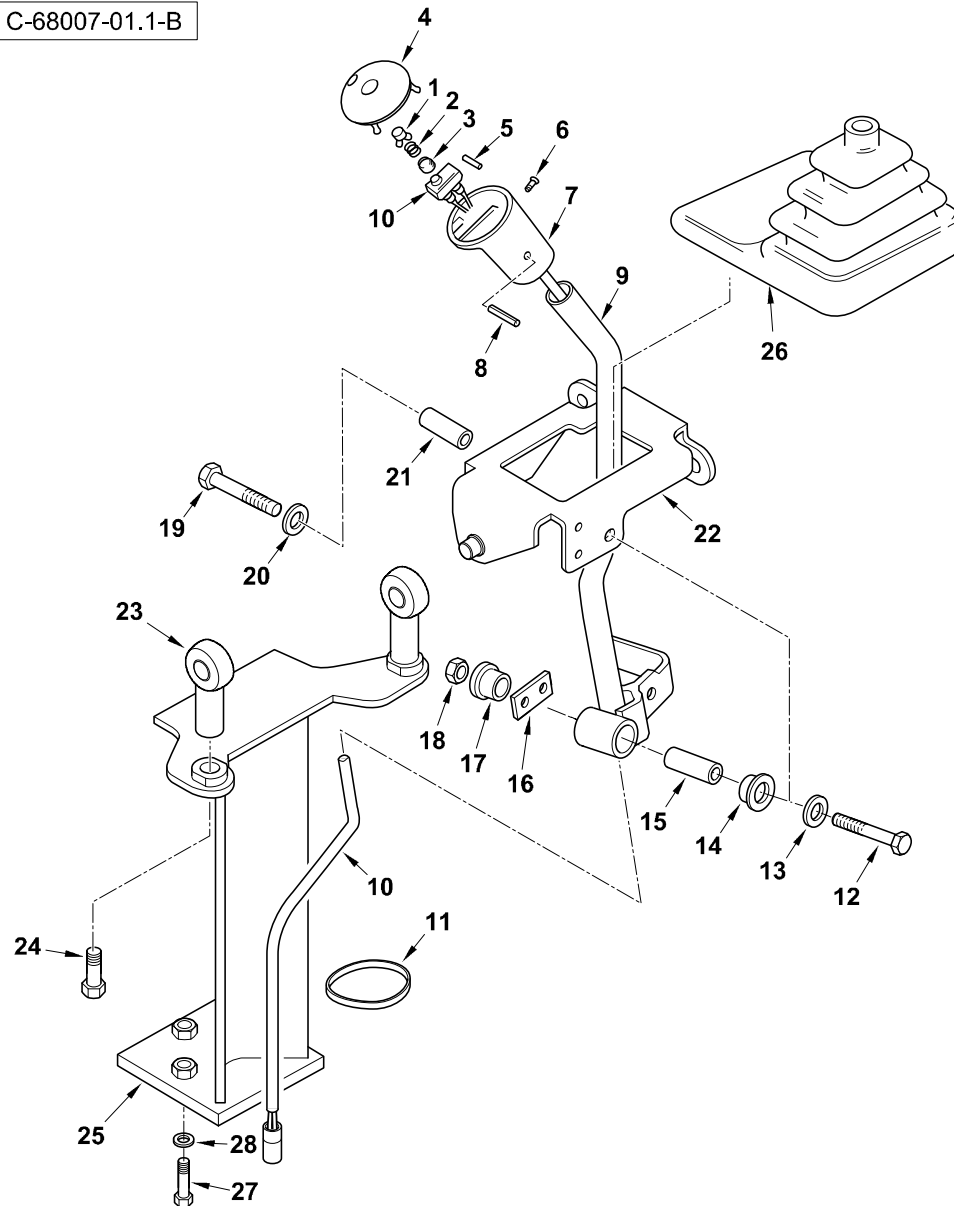


C-68006-08.1-A



<b>Item</b>	<b>Part No.</b>	<b>Qty.</b>	<b>English</b>	<b>French</b>	<b>German</b>	<b>Spanish</b>	<b>Remarks</b>
1	6109210M91	1	Valve - Loader 3 Spool Mechanical	Ensemble Distributio	Steverventilblock Kp	Distribuidor, Conj.	
2	6194517M91	1	Element - Outlet	Element - Soupape	Element - Ventil	Elemento - Válvula	
3	6193771M91	1	Seal Interface Kit	Pochette De Joints	Dichsatz	Juego De Juntas	

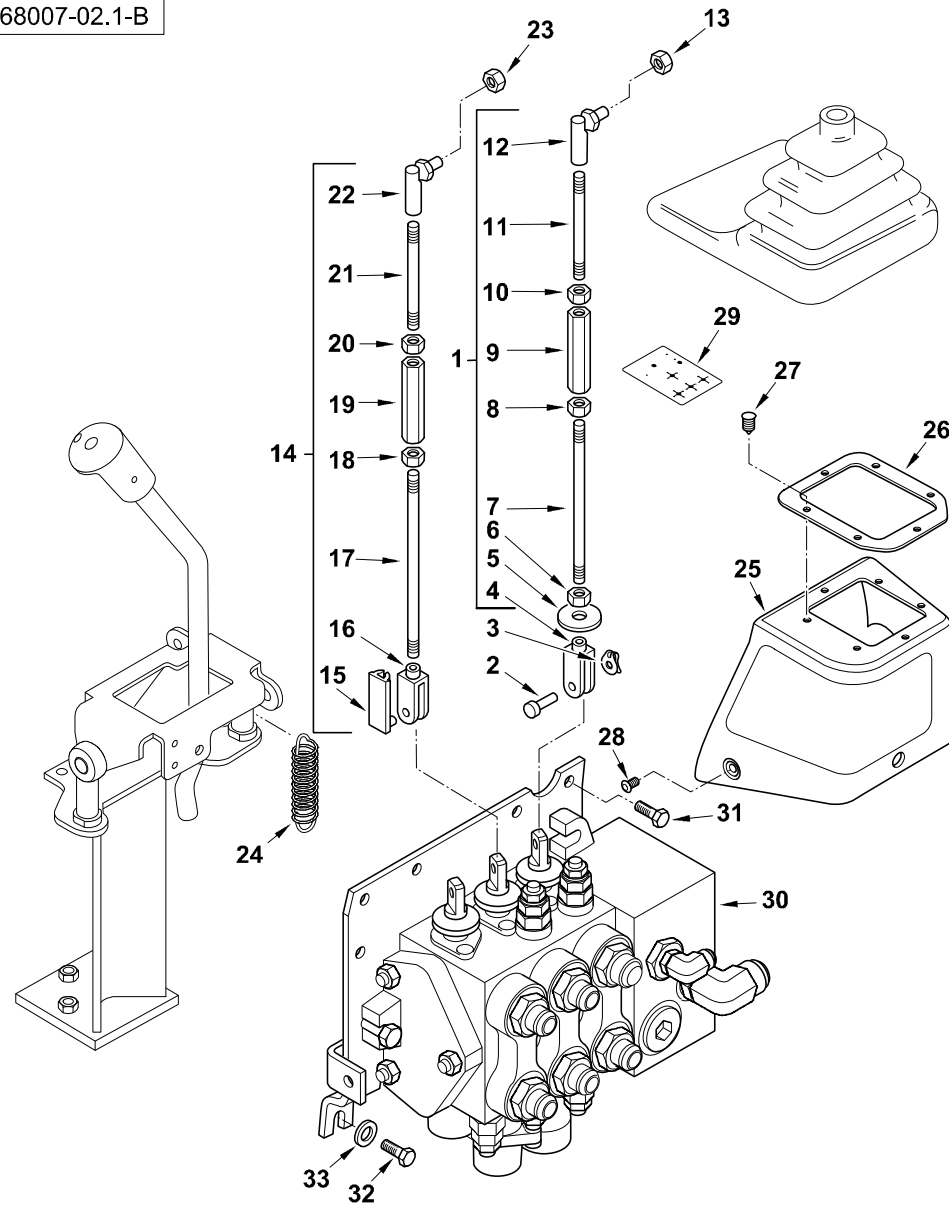
C-68007-01.1-B



Item	Part No.	Qty.	English	French	German	Spanish	Remarks
1	3521894M4	2	Button Ldr Cntls	Bouton	Knopf	Botón	
2	3520328M3	2	Spring	Siege De Ressort	Feder	Muelle	
3	3522894M1	2	Boot Control Knob	Coffre	Schutzkappe	Fuelle	
4	3522285M5	1	Knob Top Ldr Cntl	Boule	Knauf	Bola	
5	3522507M3	4	Pin Parallel	Goupille D´Arrêt	Sicherungsstift	Pasador	
6	3516886M1	2	Screw C/Sk 1/4 Lng	Vis	Schraube	Tornillo	
7	3522621M5	1	Base Control Knob	Poignée De Levier	Griff	Empuñ. Palanca	
8	3019531X1	1	Pin - Roll	Goupille Elastique	Spannhulse	Pasador Elástico	
9	6109383M91	1	Lever - Loader Control W/Assy	Levier	Hebel	Palanca, Conj.	
10	3516043M94	1	Switch And Harness - Ldr. Cont. Lever	Interrupteur	Beschirrung	Haz	
11	1664405M1	1	Tie Mm T50s	Attache Cable	Kabelbinder	Enlace De Cable	
12	339159X1	1	Bolt M8-65	Boulon	Bolzen	Tornillo	
13	6108769M1	1	Washer-M8 Nord-Lock	Rondelle De Blocage	Federring M8	Arandela De Freno	
14	6106560M1	1	Bush	Douille	Buechse	Anillo	
15	6106561M3	1	Spacer-Loader Controls	Entretoise	Abstandstueck	Traviesa	
16	6106562M1	1	Plate-L/Cont. Tie Bar	Barre	Stab	Placa	
17	6106560M1	1	Bush	Douille	Buechse	Anillo	
18	394367X1	1	Nut, Hex. - Nyloc, M8	Ecrou Blocage M8	Flachmutter - M8	Tuerca De Retención	
19	339291X1	1	Bolt M8-55 Z5s	Goupille	Bolzen M8 X 55	Tornillo	
20	6108769M1	1	Washer-M8 Nord-Lock	Rondelle De Blocage	Federring M8	Arandela De Freno	
21	6106561M3	1	Spacer-Loader Controls	Entretoise	Abstandstueck	Traviesa	
22	6109381M91	1	Cradle - Rexroth Valve W/Assy	Berceau	Fahrschemel	Soporte	
23	6102844M1	2	Rodend-M12 Spherical	Support De Fixation	Kugelkopf, Plastik	Soporte De Fijación	
24	3009505X1	2	Hex. Bolt, M12 X 25 - Coarse	Boulon	Bolzen M12 X 25	Perno	
25	6109802M91	1	Loader Control Column Assy	Ensemble De Support	Haltevorrichtung	Apoyadero, Conj.	
26	6109927M1	1	Gaiter (Black) - Loader Lever	Souf•et	Manschette	Fuelle	
27	339009X1	3	Bolt - M8 X 35	Boulon M8 X 35	Maschschraube M8	Tornillo	
28	339374X1	3	Washer M8 -21-2 Z	Rondelle Frein - M8	Federring - M8	Arandela De Freno	



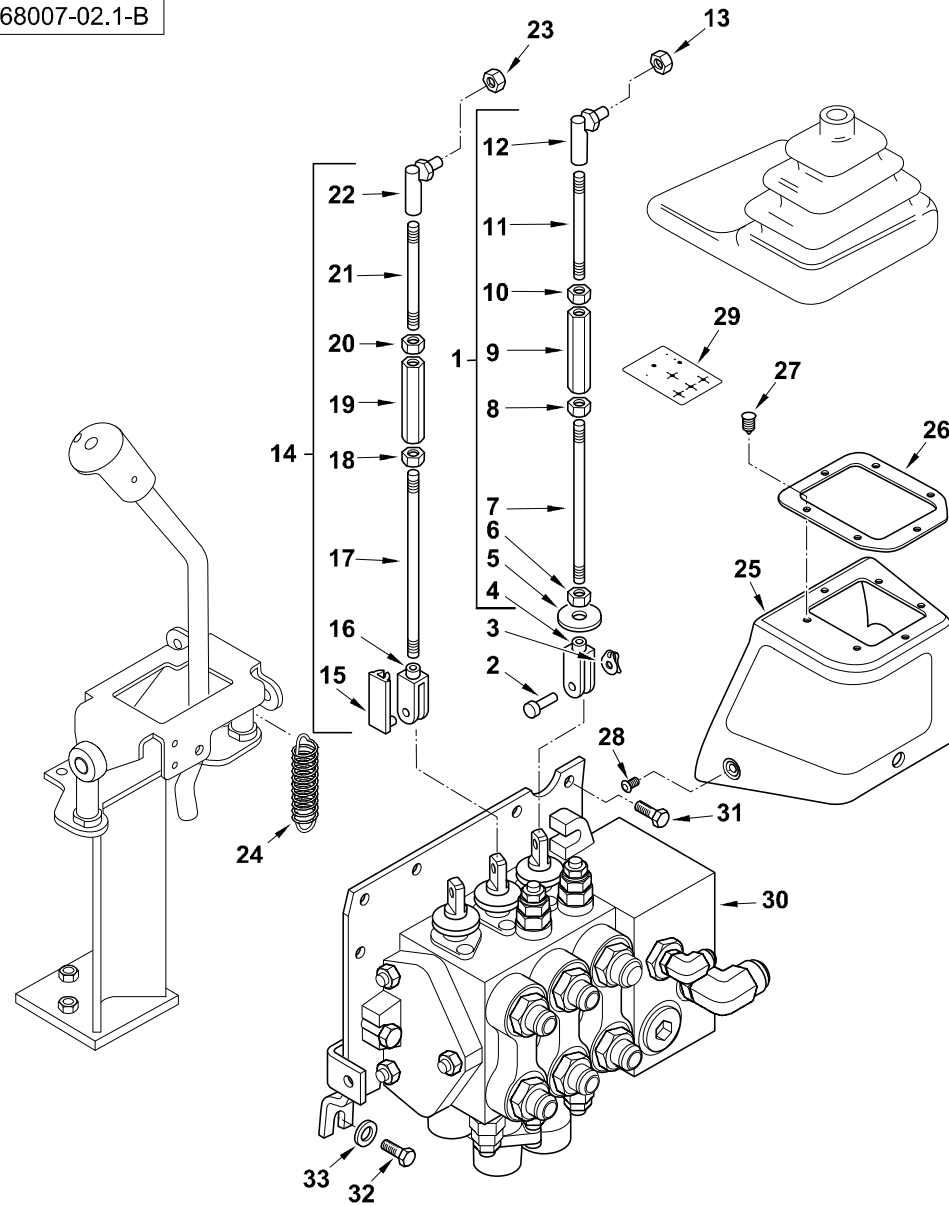
C-68007-02.1-B



Item	Part No.	Qty.	English	French	German	Spanish	Remarks
1	6102738M93	1	Rod Assy. - Loader Control	Ensemble Tringlerie	Gestänge	Tirantes, Conj.	
2	6102816M1	1	Pin-Clevis	Axe De Chape	Gabelstift	Eje De Brida	
3	3516322M1	1	Clip, Spring - No.8	Clip	Klips	Clip	
4	3519590M1	1	Clevis LH Thread	Chape	Gabelverbindung	Brida	
5	3518878M3	1	Washer	Rondelle	Scheibe	Arandela	
6	3519650M1	1	Nut, Hex - M8, L/H Thread	Ecrou	Mutter	Tuerca	
7	#ROD	1	Rod	Rod	Rod	Rod	
8	339169X1	1	Nut, Hex. - M8, Coarse	Ecrou Métrique	Mutter Metrisch	Tuerca	
9	6102733M1	1	Turnbuckle M8	Tendeur De Tringle	Spannschloss	Torniquete	
10	3519650M1	1	Nut, Hex - M8, L/H Thread	Ecrou	Mutter	Tuerca	
11	#ROD	1	Rod	Rod	Rod	Rod	
12	3519589M1	1	Ball-Joint	Rotule	Kugelgelenk	Rotula	
13	394367X1	1	Nut, Hex. - Nyloc, M8	Ecrou Blocage M8	Flachmutter - M8	Tuerca De Retención	
14	6102737M92	1	Rod Assy. - Loader Control	Tringle	Stange	Tirantes, Conj.	
15	3520666M1	1	Pin W/ Spring Clip	Axe De Chape	Gabelstift	Eje De Brida	
16	3519590M1	1	Clevis LH Thread	Chape	Gabelverbindung	Brida	
17	#ROD	1	Rod	Rod	Rod	Rod	Ref. 14
18	339169X1	1	Nut, Hex. - M8, Coarse	Ecrou Métrique	Mutter Metrisch	Tuerca	
19	6102733M1	1	Turnbuckle M8	Tendeur De Tringle	Spannschloss	Torniquete	
20	3519650M1	1	Nut, Hex - M8, L/H Thread	Ecrou	Mutter	Tuerca	
21	#ROD	1	Rod	Rod	Rod	Rod	Ref. 14
22	3519589M1	1	Ball-Joint	Rotule	Kugelgelenk	Rotula	
23	394367X1	1	Nut, Hex. - Nyloc, M8	Ecrou Blocage M8	Flachmutter - M8	Tuerca De Retención	
24	6109761M1	1	Spring-Ldr Control	Siège De Ressort	Federsitz	Muelle	
25	6099522M2	1	Loader Control Tower - W/O Lock (Grey)	Console	Konsole	Consola	
26	3516856M3	1	Plate, Gaiter - Loader Controls	Plaque	Platte	Placa	
27	3521303M3	6	Fastener, Plastic - Gear Lever Gaiter	Agrafe	Halteklammer	Eganche	
28	3512552M1	3	Screw Pan Hd.M5 X 12	Vis	Schraube	Tornillo	
29	6101873M1	1	Decal-Ldr Controls Std	Adhésif	Aufkleber	Adhesivo	
30	6109325M91	1	Valve Assembly - Loader Rexroth	Ensemble Distributio	Steuerventilblock Kp	Distribuidor, Conj.	68004c03.1 1



C-68007-02.1-B

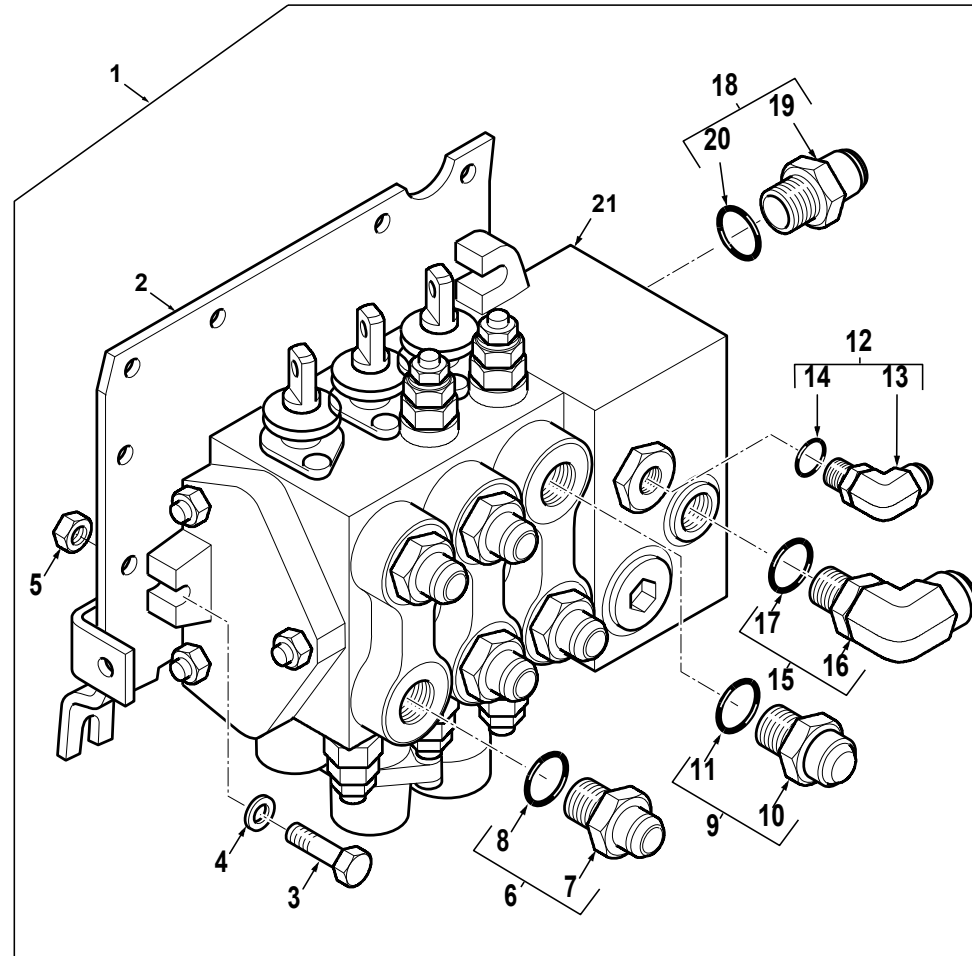




<b>Item</b>	<b>Part No.</b>	<b>Qty.</b>	<b>English</b>	<b>French</b>	<b>German</b>	<b>Spanish</b>	<b>Remarks</b>
31	3009492X1	2	Bolt - Hex. M10 X 25	Boulon M10 X 25	Schraube M10 X 25	Tornillo	
32	3009492X1	1	Bolt - Hex. M10 X 25	Boulon M10 X 25	Schraube M10 X 25	Tornillo	
33	385362X1	1	Washer, Hardened - M10	Rondelle - M10	Unterlegscheibe M10	Arandela	



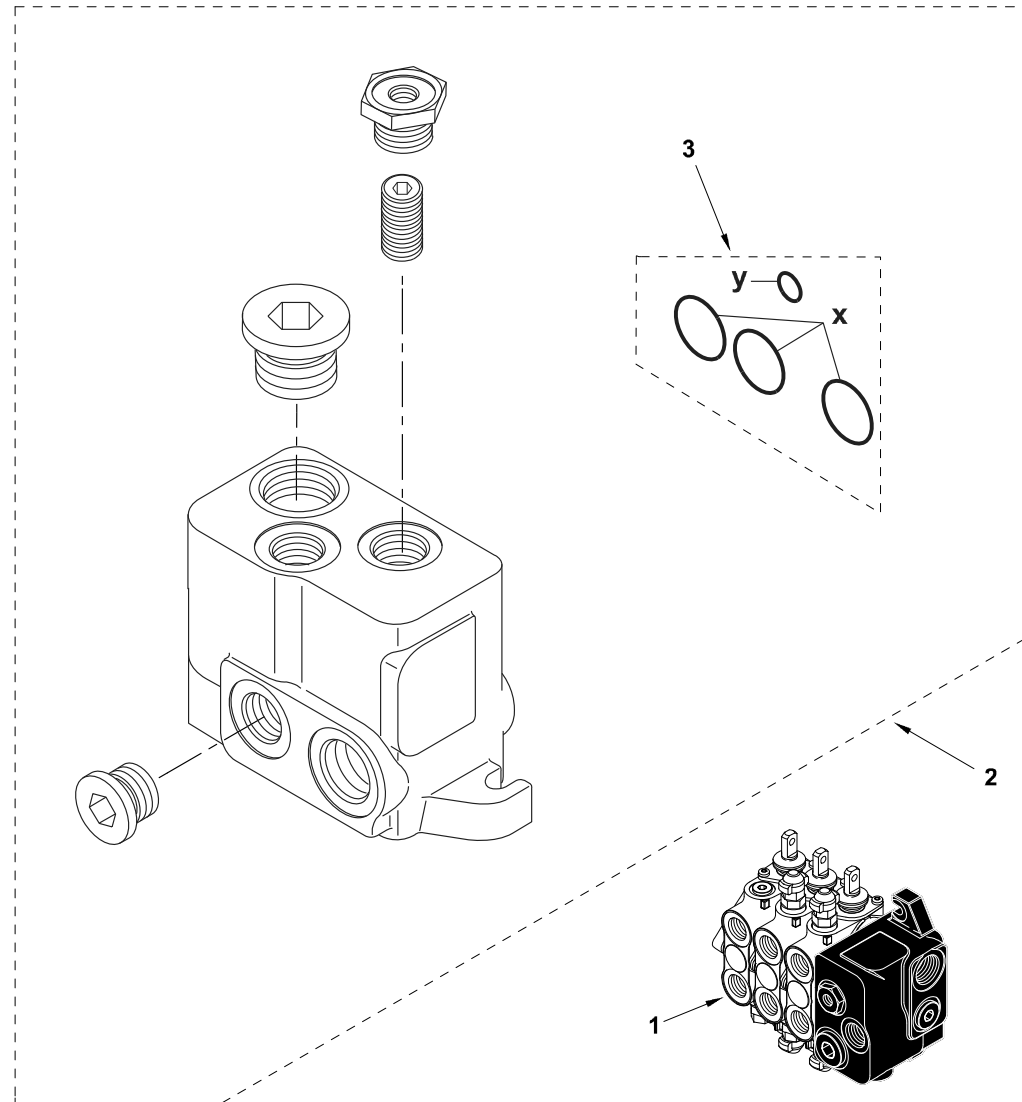
C-68007-03.1-A



Item	Part No.	Qty.	English	French	German	Spanish	Remarks
1	6109325M91	1	Valve Assembly - Loader Rexroth	Ensemble Distributio	Steuerventilblock Kp	Distribuidor, Conj.	
2	6109370M91	1	Plate - Rexroth Loader Valve W/Assy	Plaque	Platte	Placa, Conj.	
3	3009496X1	3	Bolt Hex - M10 X 45 (Coarse)	Boulon M10 X 45	Maschschraube - M10	Tornillo	
4	385362X1	3	Washer, Hardened - M10	Rondelle - M10	Unterlegscheibe M10	Arandela	
5	1440329X1	3	Nut, Hex. - Nyloc, M10	Ecrou Blocage	Flachmutter M10	Tuerca De Retención	
6	365715X91	5	Connector, Hydr.-Straight, 1 1/16 X 7/8	Borne	Doppelnippel	Conexión, Conj.	
7	#CONNECTOR	1	Connector	Connector	Connector	Connector	Ref. 6
8	835025M1	1	Ring O	Joint Torique	O Ring	Junta De Tipo O	
9	835057M91	1	Connector B1510m-12-12	Raccord	Schraubanschluss	Conexión, Conj.	
10	#CONNECTOR	1	Connector	Connector	Connector	Connector	Ref. 9
11	835025M1	1	Ring O	Joint Torique	O Ring	Junta De Tipo O	
12	357197X91	1	Elbow & O Ring	Coude	Kniestück, 90°	Codo, 90°	
13	#ELBOW	1	Elbow	Elbow	Elbow	Elbow	Ref. 12
14	831452M1	1	O Ring (Pack Of 10)	Joint Torique	O Ring	Junta De Tipo O	
15	358764X91	1	Elbow 90 Deg	Coude 90°	Kniestück, 90°	Codo, 90°	
16	#ELBOW	1	Elbow	Elbow	Elbow	Elbow	Ref. 15
17	835025M1	1	Ring O	Joint Torique	O Ring	Junta De Tipo O	
18	835014M91	1	Connector - 1 5/16" To 1 5/16"	Borne	Doppelnippel	Unión	
19	#CONNECTOR	1	Connector	Connector	Connector	Connector	Ref. 18
20	835026M1	1	O-Ring	Joint Torique	O-Ring	Junta De Tipo O	
21	6109210M91	1	Valve - Loader 3 Spool Mechanical	Ensemble Distributio	Steuerventilblock Kp	Distribuidor, Conj.	68004c04.1 1



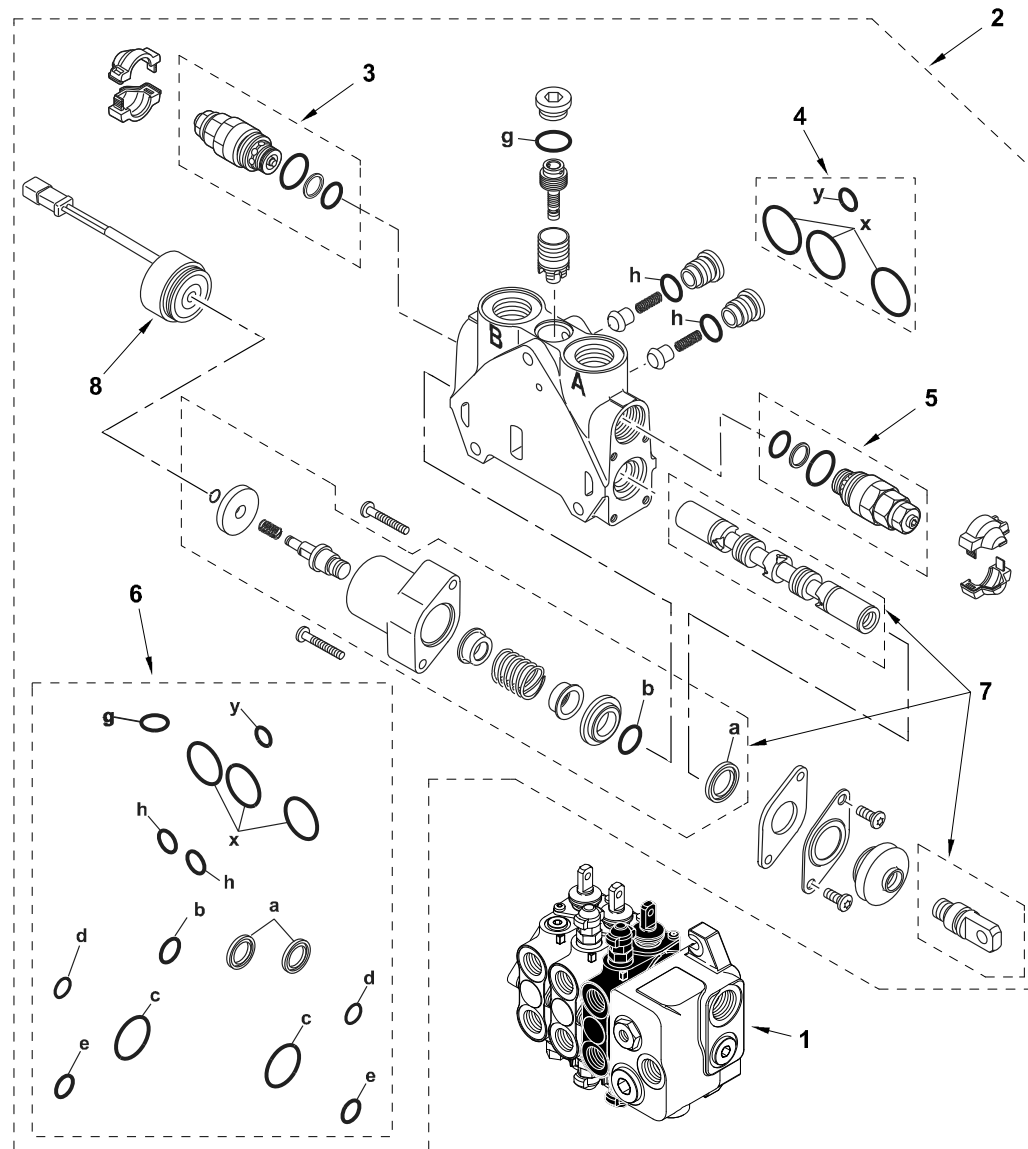
C-68007-04.1-A



<b>Item</b>	<b>Part No.</b>	<b>Qty.</b>	<b>English</b>	<b>French</b>	<b>German</b>	<b>Spanish</b>	<b>Remarks</b>
1	6109210M91	1	Valve - Loader 3 Spool Mechanical	Ensemble Distributio	Steverventilblock Kp	Distribuidor, Conj.	
2	6194535M91	1	Element - Inlet	Element - Soupape	Element - Ventil	Elemento - Válvula	Inlet
3	6193771M91	1	Seal Interface Kit	Pochette De Joints	Dichsatz	Juego De Juntas	



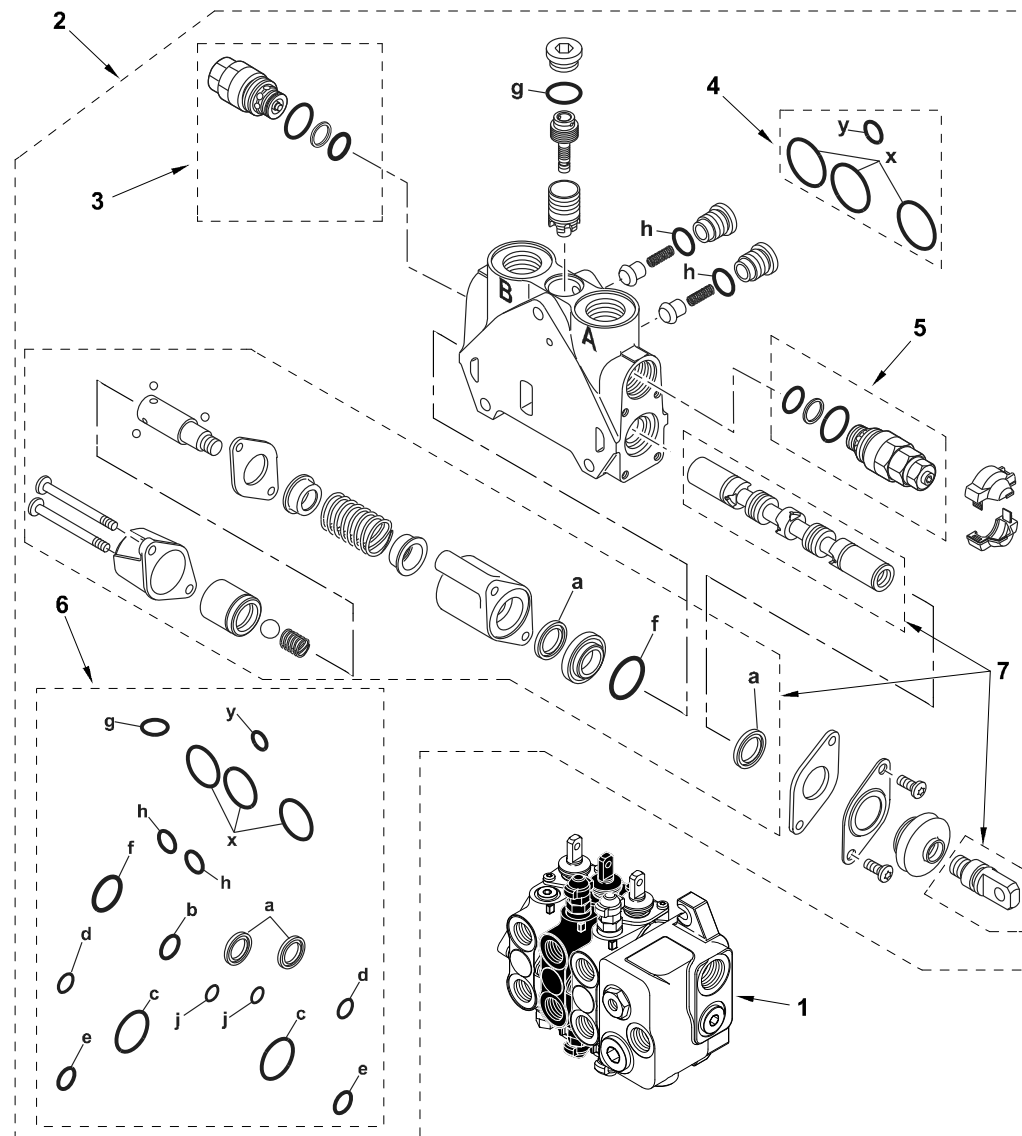
C-68007-05.1-C



Item	Part No.	Qty.	English	French	German	Spanish	Remarks
1	6109210M91	1	Valve - Loader 3 Spool Mechanical	Ensemble Distributio	Steverventilblock Kp	Distribuidor, Conj.	
2	6194531M91	1	Element - Bucket	Element - Soupape	Element - Ventil	Elemento - Válvula	
3	6193804M91	1	Pressure Relief Valve H (310 Bar)	Valve Decharge	Druckbegrventil	Válvula De Seguridad	
4	6193771M91	1	Seal Interface Kit	Pochette De Joints	Dichsatz	Juego De Juntas	
5	6193801M91	1	Pressure Relief Valve H (345 Bar)	Valve Decharge	Druckbegrventil	Válvula De Seguridad	
6	6193781M91	1	Seal Kit Complete	Jeu Etancheite	Dichtringsatz	Juege De Juntas	
7	6194835M91	1	Spool Kit (Slice - Loader Bucket)	Jeu Tiroir	Schieber Satz	Juego Carrete	
8	6195101M91	1	Solenoid Kit	Solenoide	Magnetspule	Solenoide, Conj.	



C-68007-06.1-B

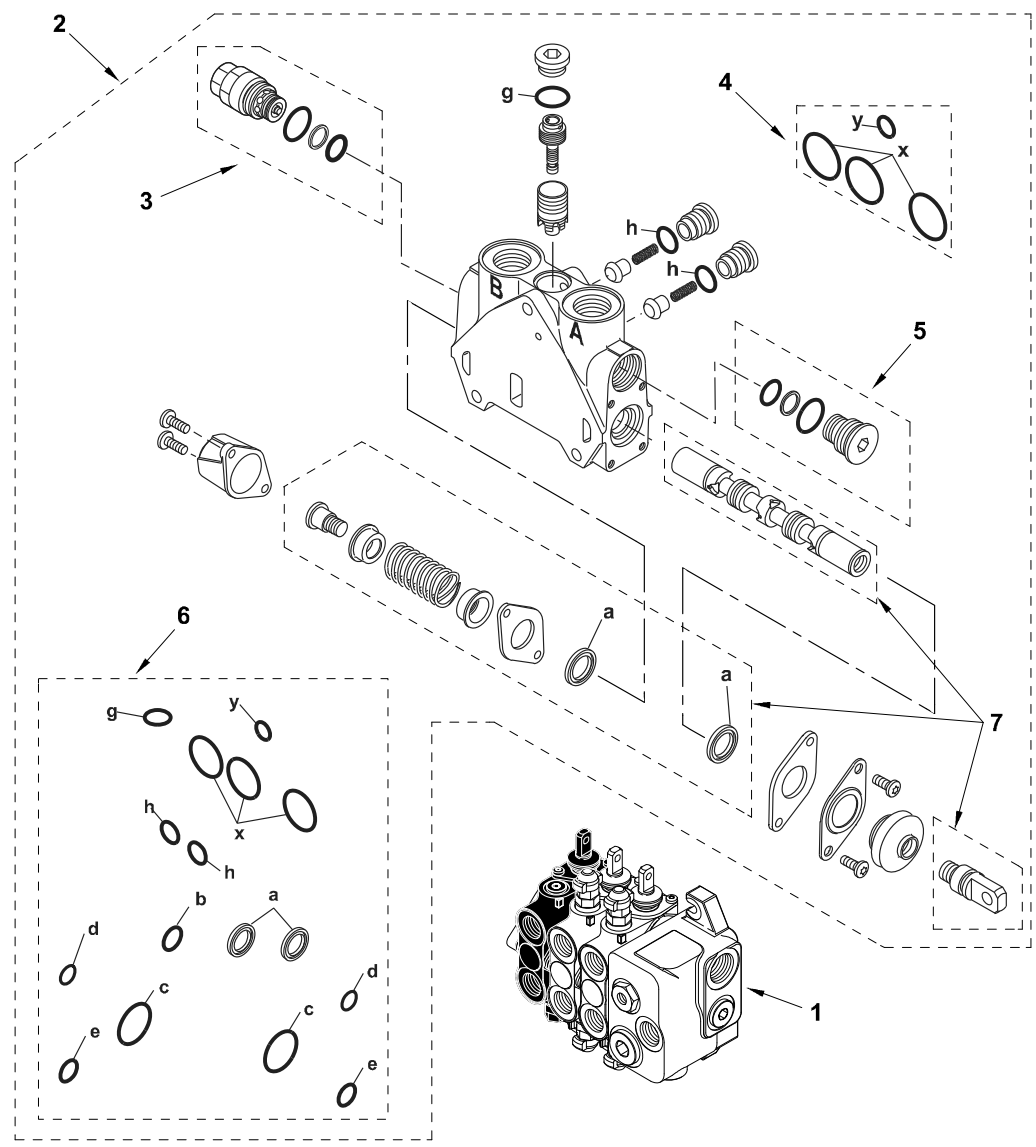




Item	Part No.	Qty.	English	French	German	Spanish	Remarks
1	6109210M91	1	Valve - Loader 3 Spool Mechanical	Ensemble Distributio	Steverventilblock Kp	Distribuidor, Conj.	Continued
2	6194532M91	1	Element - Dipper	Element - Soupape	Element - Ventil	Elemento - Válvula	
3	6193782M91	1	Anti-Cavitation Valve E Port B	Ensemble De Soupape	Ventil Kpl.	Válvula, Conj.	
4	6193771M91	1	Seal Interface Kit	Pochette De Joints	Dichtsatz	Juego De Juntas	
5	6193800M91	1	Pressure Relief Valve H 240 Bar	Valve Decharge	Druckbegrventil	Válvula De Seguridad	
6	6194518M91	1	Seal Kit	Jeu Etancheite	Dichtringsatz	Juego De Juntas	
7	6194836M91	1	Spool Kit (Slice - Loader Arm)	Jeu Tiroir	Schieber Satz	Juego Carrete	



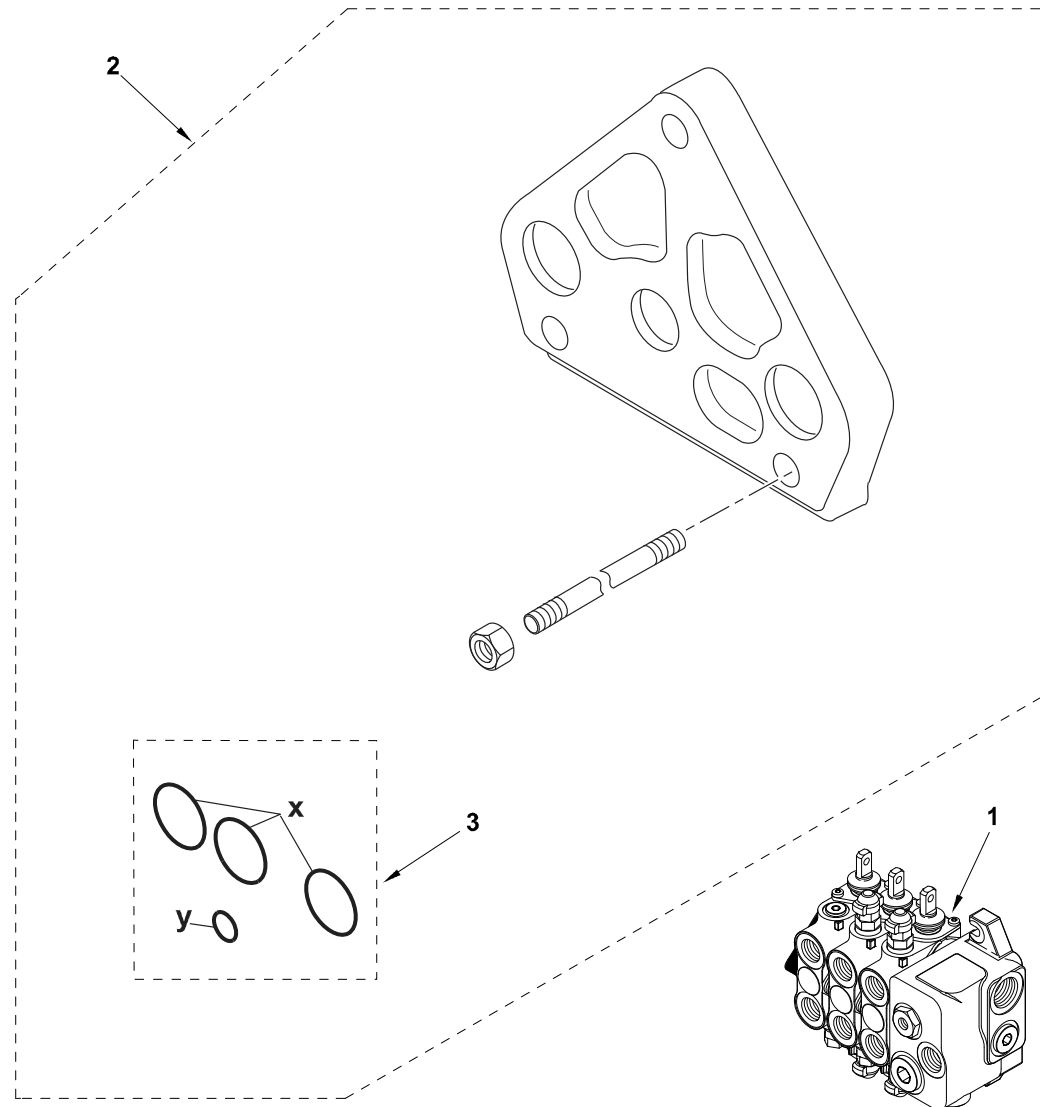
C-68007-07.1-B



Item	Part No.	Qty.	English	French	German	Spanish	Remarks
1	6109210M91	1	Valve - Loader 3 Spool Mechanical	Ensemble Distributio	Steverventilblock Kp	Distribuidor, Conj.	
2	6194533M91	1	Element - 4 X 1	Element - Soupape	Element - Ventil	Elemento - Válvula	
3	6193782M91	1	Anti-Cavitation Valve E Port B	Ensemble De Soupape	Ventil Kpl.	Válvula, Conj.	
4	6193771M91	1	Seal Interface Kit	Pochette De Joints	Dichsatz	Juego De Juntas	
5	6193785M91	1	Plug Q - Port B	Bouchon	Stopfen	Tapón, Conj.	
6	6193791M91	1	Seal Kit - L/S Valve	Jeu Étanchéité	Dichtringsatz	Juego De Juntas	
7	6194828M91	1	Spool Kit (Slice - Bucket 4 In 1 Loader)	Jeu Tiroir	Schieber Satz	Juego Carrete	



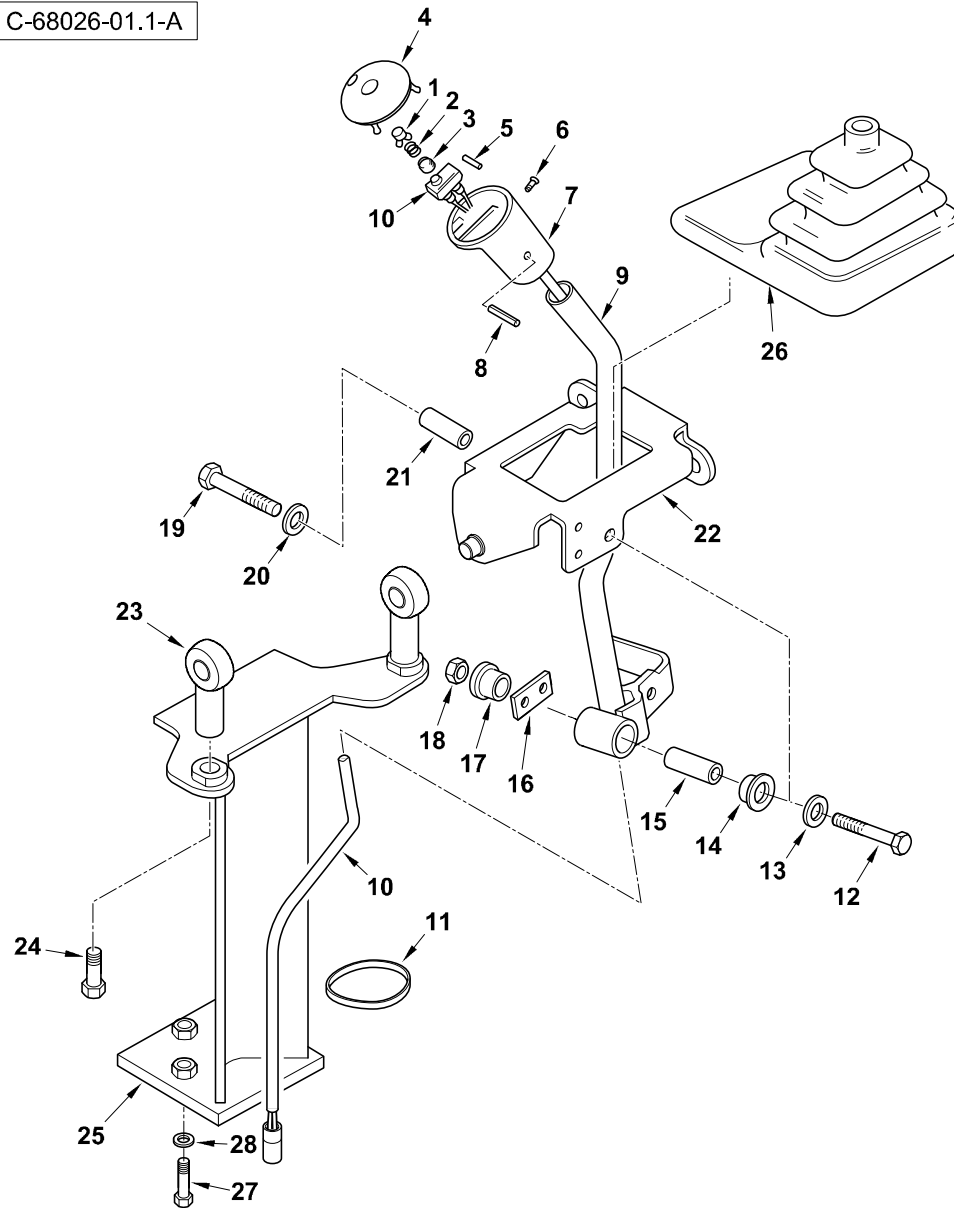
C-68007-08.1-A



<b>Item</b>	<b>Part No.</b>	<b>Qty.</b>	<b>English</b>	<b>French</b>	<b>German</b>	<b>Spanish</b>	<b>Remarks</b>
1	6109210M91	1	Valve - Loader 3 Spool Mechanical	Ensemble Distributio	Steverventilblock Kp	Distribuidor, Conj.	
2	6194517M91	1	Element - Outlet	Element - Soupape	Element - Ventil	Elemento - Válvula	
3	6193771M91	1	Seal Interface Kit	Pochette De Joints	Dichsatz	Juego De Juntas	



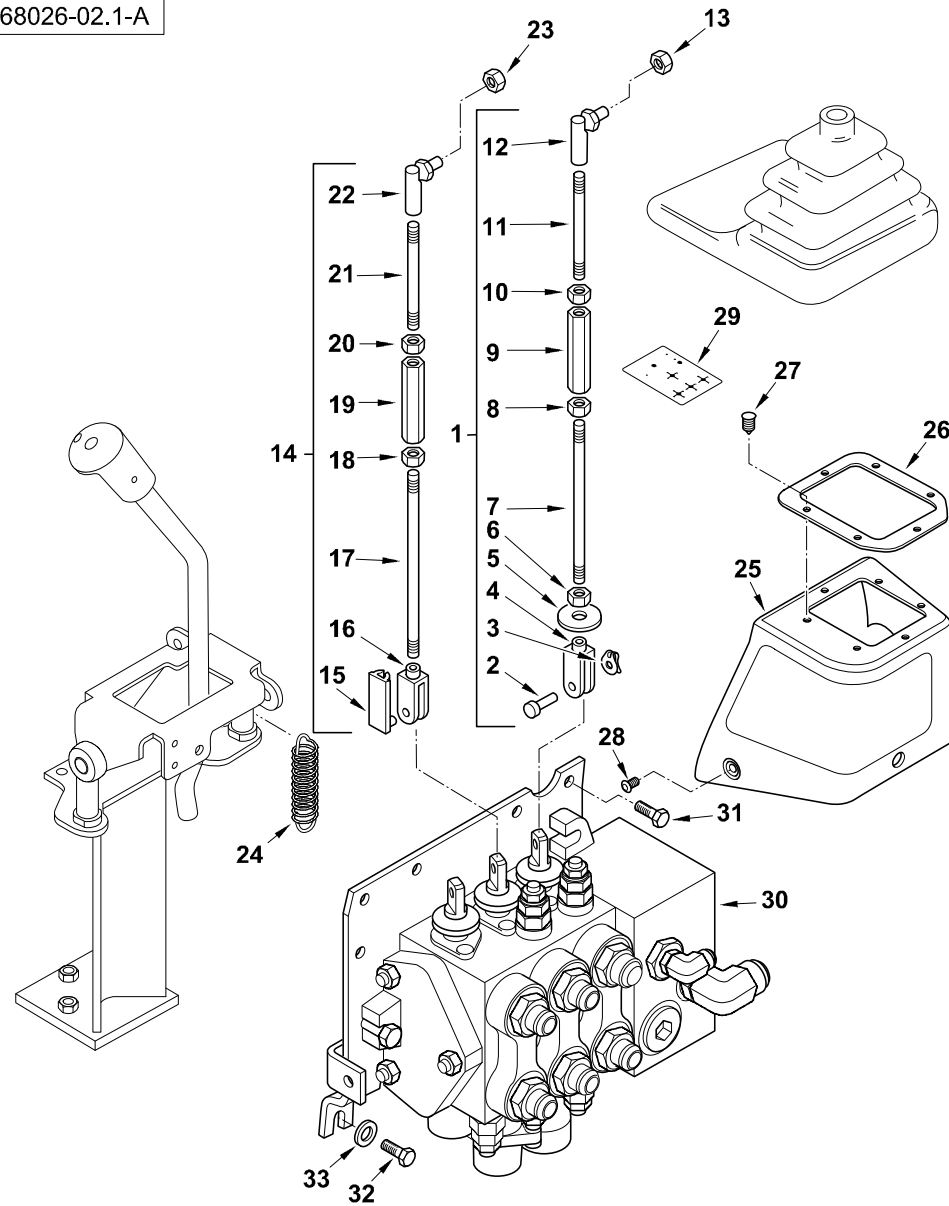
C-68026-01.1-A



Item	Part No.	Qty.	English	French	German	Spanish	Remarks
1	3521894M4	2	Button Ldr Cntls	Bouton	Knopf	Botón	
2	3520328M3	2	Spring	Siege De Ressort	Feder	Muelle	
3	3522894M1	2	Boot Control Knob	Coffre	Schutzkappe	Fuelle	
4	3522285M5	1	Knob Top Ldr Cntl	Boule	Knauf	Bola	
5	3522507M3	4	Pin Parallel	Goupille D'Arrêt	Sicherungsstift	Pasador	
6	3516886M1	2	Screw C/Sk 1/4 Lng	Vis	Schraube	Tornillo	
7	3522621M5	1	Base Control Knob	Poignée De Levier	Griff	Empuñ. Palanca	
8	3019531X1	1	Pin - Roll	Goupille Elastique	Spannhulse	Pasador Elástico	
9	6109383M91	1	Lever - Loader Control W/Assy	Levier	Hebel	Palanca, Conj.	
10	3516043M94	1	Switch And Harness - Ldr. Cont. Lever	Interrupteur	Beschirring	Haz	
11	1664405M1	1	Tie Mm T50s	Attache Cable	Kabelbinder	Enlace De Cable	
12	339159X1	1	Bolt M8-65	Boulon	Bolzen	Tornillo	
13	6108769M1	1	Washer-M8 Nord-Lock	Rondelle De Blocage	Federring M8	Arandela De Freno	
14	6106560M1	1	Bush	Douille	Buechse	Anillo	
15	6106561M3	1	Spacer-Loader Controls	Entretoise	Abstandstueck	Traviesa	
16	6106562M1	1	Plate-L/Cont. Tie Bar	Barre	Stab	Placa	
17	6106560M1	1	Bush	Douille	Buechse	Anillo	
18	394367X1	1	Nut, Hex. - Nyloc, M8	Ecrou Blocage M8	Flachmutter - M8	Tuerca De Retención	
19	339291X1	1	Bolt M8-55 Z5s	Goupille	Bolzen M8 X 55	Tornillo	
20	6108769M1	1	Washer-M8 Nord-Lock	Rondelle De Blocage	Federring M8	Arandela De Freno	
21	6106561M3	1	Spacer-Loader Controls	Entretoise	Abstandstueck	Traviesa	
22	6109381M91	1	Cradle - Rexroth Valve W/Assy	Berceau	Fahrschemel	Soporte	
23	6102844M1	2	Rodend-M12 Spherical	Support De Fixation	Kugelkopf, Plastik	Soporte De Fijación	
24	3009505X1	2	Hex. Bolt, M12 X 25 - Coarse	Boulon	Bolzen M12 X 25	Perno	
25	6109802M91	1	Loader Control Column Assy	Ensemble De Support	Haltevorrichtung	Apoyadero, Conj.	
26	6109927M1	1	Gaiter (Black) - Loader Lever	Souf•et	Manschette	Fuelle	
27	339009X1	3	Bolt - M8 X 35	Boulon M8 X 35	Maschschraube M8	Tornillo	
28	339374X1	3	Washer M8 -21-2 Z	Rondelle Frein - M8	Federring - M8	Arandela De Freno	



C-68026-02.1-A

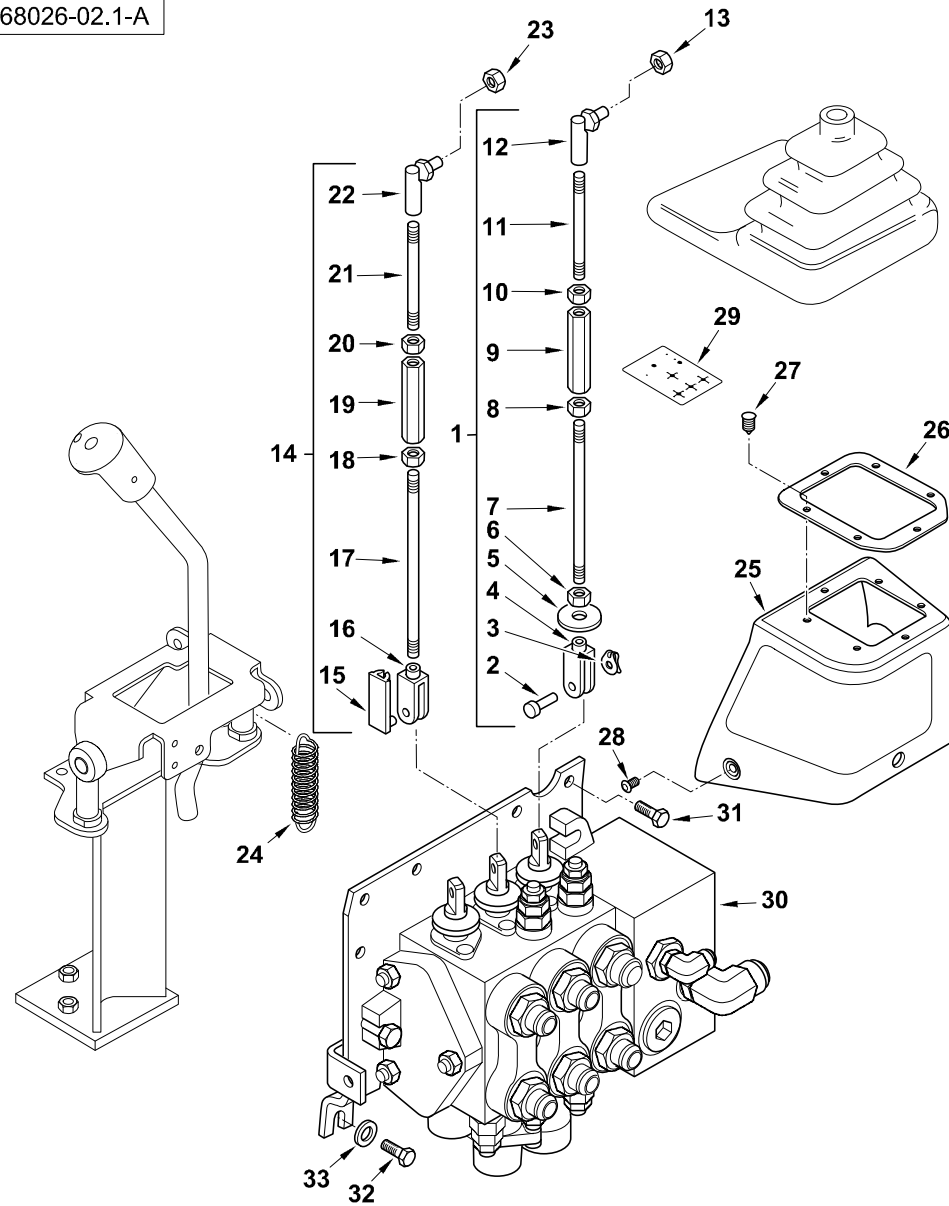




Item	Part No.	Qty.	English	French	German	Spanish	Remarks
1	6102738M93	1	Rod Assy. - Loader Control	Ensemble Tringlerie	Gestänge	Tirantes, Conj.	
2	6102816M1	1	Pin-Clevis	Axe De Chape	Gabelstift	Eje De Brida	
3	3516322M1	1	Clip, Spring - No.8	Clip	Klips	Clip	
4	3519590M1	1	Clevis LH Thread	Chape	Gabelverbindung	Brida	
5	3518878M3	1	Washer	Rondelle	Scheibe	Arandela	
6	3519650M1	1	Nut, Hex - M8, L/H Thread	Ecrou	Mutter	Tuerca	
7	#ROD	1	Rod	Rod	Rod	Rod	
8	339169X1	1	Nut, Hex. - M8, Coarse	Ecrou Métrique	Mutter Metrisch	Tuerca	
9	6102733M1	1	Turnbuckle M8	Tendeur De Tringle	Spannschloss	Torniquete	
10	3519650M1	1	Nut, Hex - M8, L/H Thread	Ecrou	Mutter	Tuerca	
11	#ROD	1	Rod	Rod	Rod	Rod	
12	3519589M1	1	Ball-Joint	Rotule	Kugelgelenk	Rotula	
13	394367X1	1	Nut, Hex. - Nyloc, M8	Ecrou Blocage M8	Flachmutter - M8	Tuerca De Retención	
14	6102737M92	1	Rod Assy. - Loader Control	Tringle	Stange	Tirantes, Conj.	
15	3520666M1	1	Pin W/ Spring Clip	Axe De Chape	Gabelstift	Eje De Brida	
16	3519590M1	1	Clevis LH Thread	Chape	Gabelverbindung	Brida	
17	#ROD	1	Rod	Rod	Rod	Rod	Ref. 14
18	339169X1	1	Nut, Hex. - M8, Coarse	Ecrou Métrique	Mutter Metrisch	Tuerca	
19	6102733M1	1	Turnbuckle M8	Tendeur De Tringle	Spannschloss	Torniquete	
20	3519650M1	1	Nut, Hex - M8, L/H Thread	Ecrou	Mutter	Tuerca	
21	#ROD	1	Rod	Rod	Rod	Rod	Ref. 14
22	3519589M1	1	Ball-Joint	Rotule	Kugelgelenk	Rotula	
23	394367X1	1	Nut, Hex. - Nyloc, M8	Ecrou Blocage M8	Flachmutter - M8	Tuerca De Retención	
24	6109761M1	1	Spring-Ldr Control	Siège De Ressort	Federsitz	Muelle	
25	T101140	1	Loader Tower Moulding (Black)	Moulure - Tourelle	Pressling - Turm	Bordon - Torre	
26	3516856M3	1	Plate, Gaiter - Loader Controls	Plaque	Platte	Placa	
27	3521303M3	6	Fastener, Plastic - Gear Lever Gaiter	Agrafe	Halteklammer	Enganche	
28	3512552M1	3	Screw Pan Hd.M5 X 12	Vis	Schraube	Tornillo	
29	6101873M1	1	Decal-Ldr Controls Std	Adhésif	Aufkleber	Adhesivo	
30	6109325M91	1	Valve Assembly - Loader Rexroth	Ensemble Distributio	Steuerventilblock Kp	Distribuidor, Conj.	



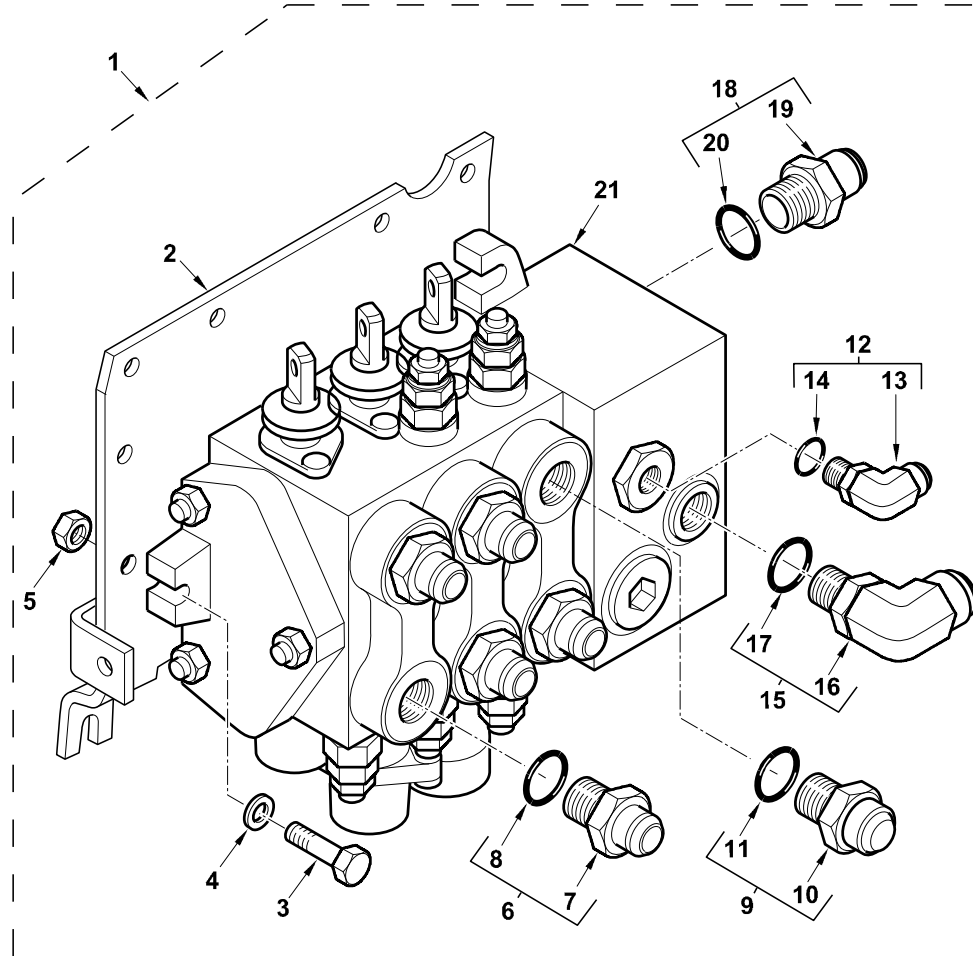
C-68026-02.1-A



<b>Item</b>	<b>Part No.</b>	<b>Qty.</b>	<b>English</b>	<b>French</b>	<b>German</b>	<b>Spanish</b>	<b>Remarks</b>
31	3009492X1	2	Bolt - Hex. M10 X 25	Boulon M10 X 25	Schraube M10 X 25	Tornillo	
32	3009492X1	1	Bolt - Hex. M10 X 25	Boulon M10 X 25	Schraube M10 X 25	Tornillo	
33	385362X1	1	Washer, Hardened - M10	Rondelle - M10	Unterlegscheibe M10	Arandela	



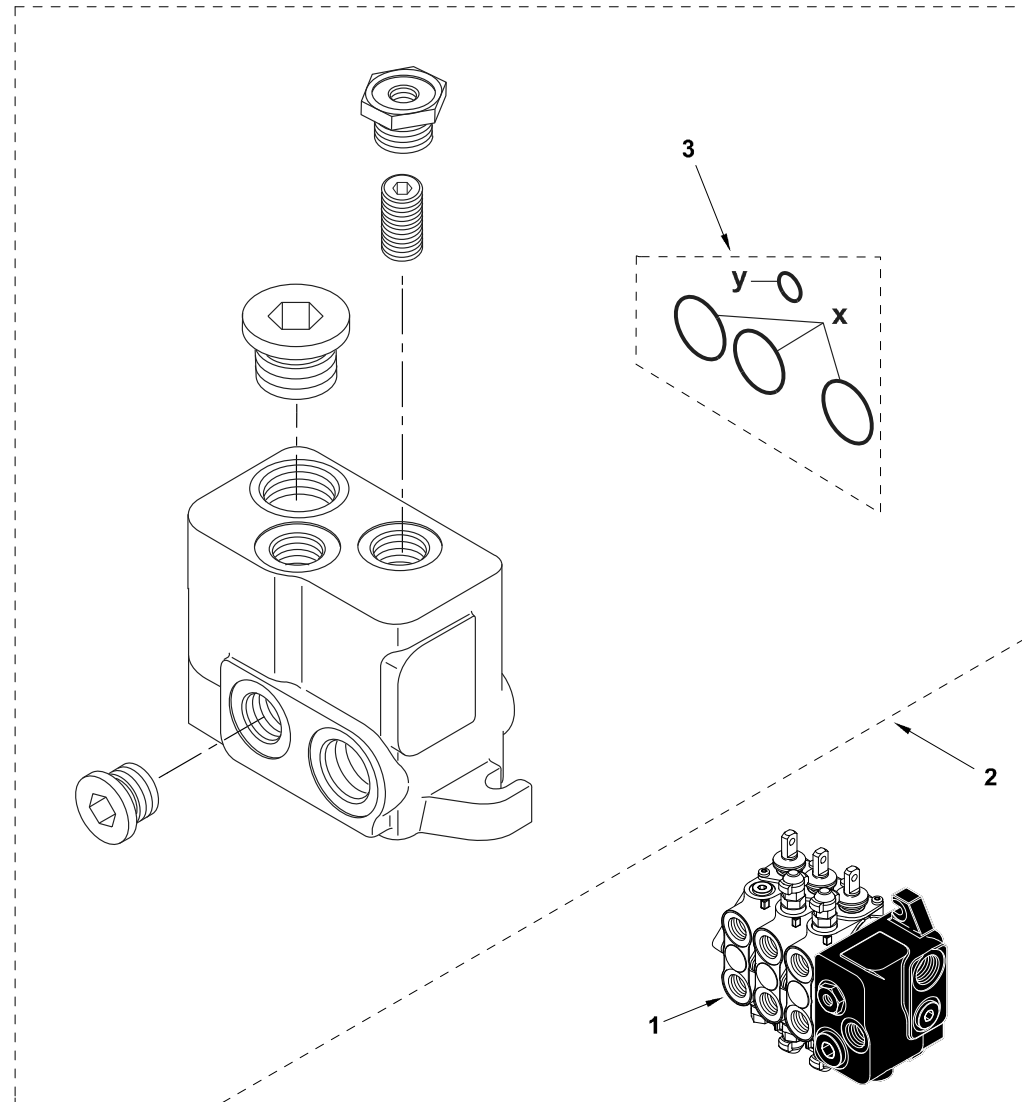
C-68026-03.1-A



Item	Part No.	Qty.	English	French	German	Spanish	Remarks
1	6109325M91	1	Valve Assembly - Loader Rexroth	Ensemble Distributio	Steuerventilblock Kp	Distribuidor, Conj.	
2	6109370M91	1	Plate - Rexroth Loader Valve W/Assy	Plaque	Platte	Placa, Conj.	
3	3009496X1	3	Bolt Hex - M10 X 45 (Coarse)	Boulon M10 X 45	Maschschraube - M10	Tornillo	
4	385362X1	3	Washer, Hardened - M10	Rondelle - M10	Unterlegscheibe M10	Arandela	
5	1440329X1	3	Nut, Hex. - Nyloc, M10	Ecrou Blocage	Flachmutter M10	Tuerca De Retención	
6	365715X91	5	Connector, Hydr.-Straight, 1 1/16 X 7/8	Borne	Doppelnippel	Conexión, Conj.	
7	#CONNECTOR	1	Connector	Connector	Connector	Connector	Ref. 6
8	835025M1	1	Ring O	Joint Torique	O Ring	Junta De Tipo O	
9	835057M91	1	Connector B1510m-12-12	Raccord	Schraubanschluss	Conexión, Conj.	
10	#CONNECTOR	1	Connector	Connector	Connector	Connector	Ref. 9
11	835025M1	1	Ring O	Joint Torique	O Ring	Junta De Tipo O	
12	357197X91	1	Elbow & O Ring	Coude	Kniestück, 90°	Codo, 90°	
13	#ELBOW	1	Elbow	Elbow	Elbow	Elbow	Ref. 12
14	831452M1	1	O Ring (Pack Of 10)	Joint Torique	O Ring	Junta De Tipo O	
15	358764X91	1	Elbow 90 Deg	Coude 90°	Kniestück, 90°	Codo, 90°	
16	#ELBOW	1	Elbow	Elbow	Elbow	Elbow	Ref. 15
17	835025M1	1	Ring O	Joint Torique	O Ring	Junta De Tipo O	
18	835014M91	1	Connector - 1 5/16" To 1 5/16"	Borne	Doppelnippel	Unión	
19	#CONNECTOR	1	Connector	Connector	Connector	Connector	Ref. 18
20	835026M1	1	O-Ring	Joint Torique	O-Ring	Junta De Tipo O	
21	6109210M91	1	Valve - Loader 3 Spool Mechanical	Ensemble Distributio	Steuerventilblock Kp	Distribuidor, Conj.	



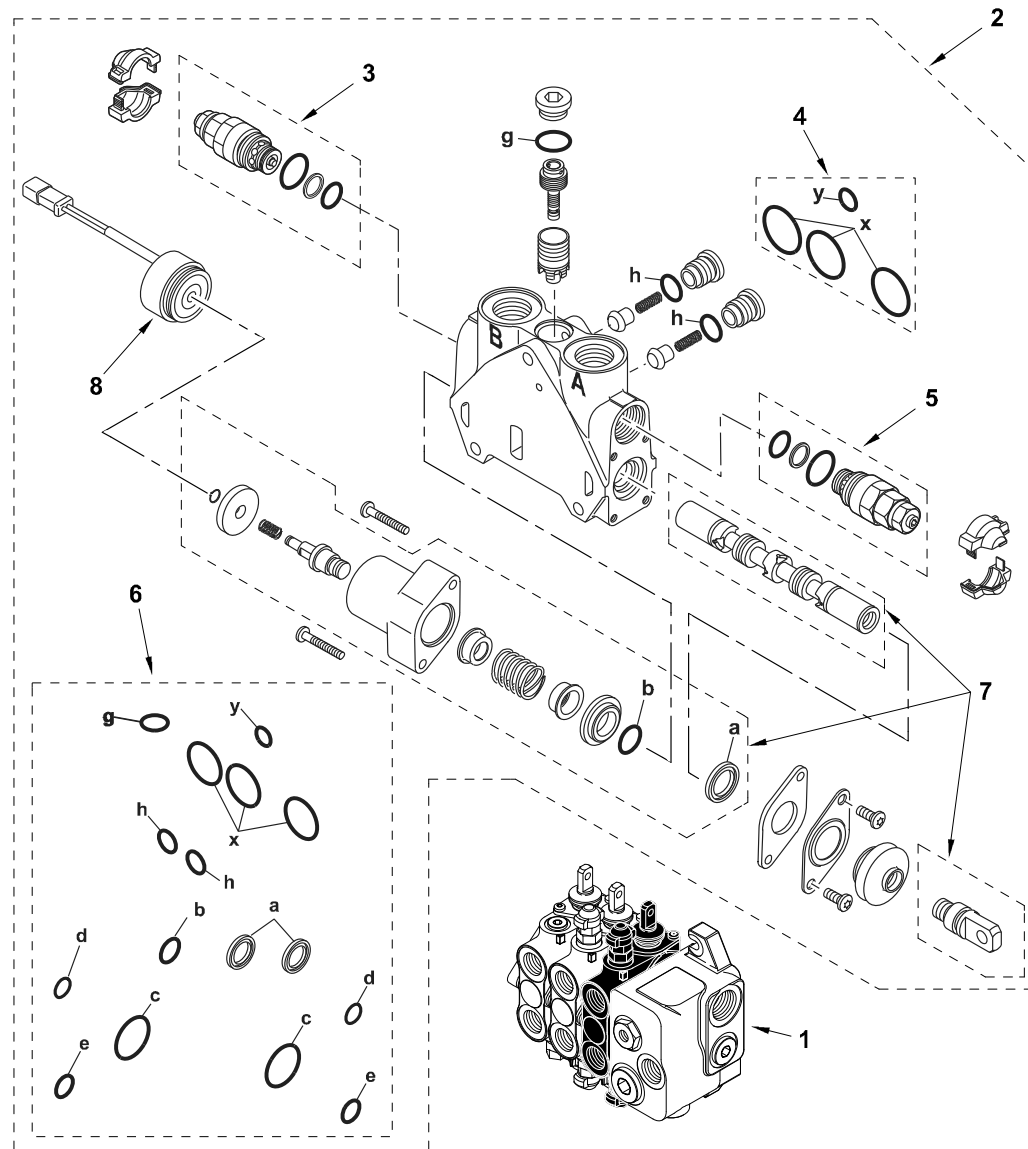
C-68026-04.1-A



<b>Item</b>	<b>Part No.</b>	<b>Qty.</b>	<b>English</b>	<b>French</b>	<b>German</b>	<b>Spanish</b>	<b>Remarks</b>
1	6109210M91	1	Valve - Loader 3 Spool Mechanical	Ensemble Distributio	Steverventilblock Kp	Distribuidor, Conj.	
2	6194535M91	1	Element - Inlet	Element - Soupape	Element - Ventil	Elemento - Válvula	Inlet
3	6193771M91	1	Seal Interface Kit	Pochette De Joints	Dichsatz	Juego De Juntas	



C-68026-05.1-A

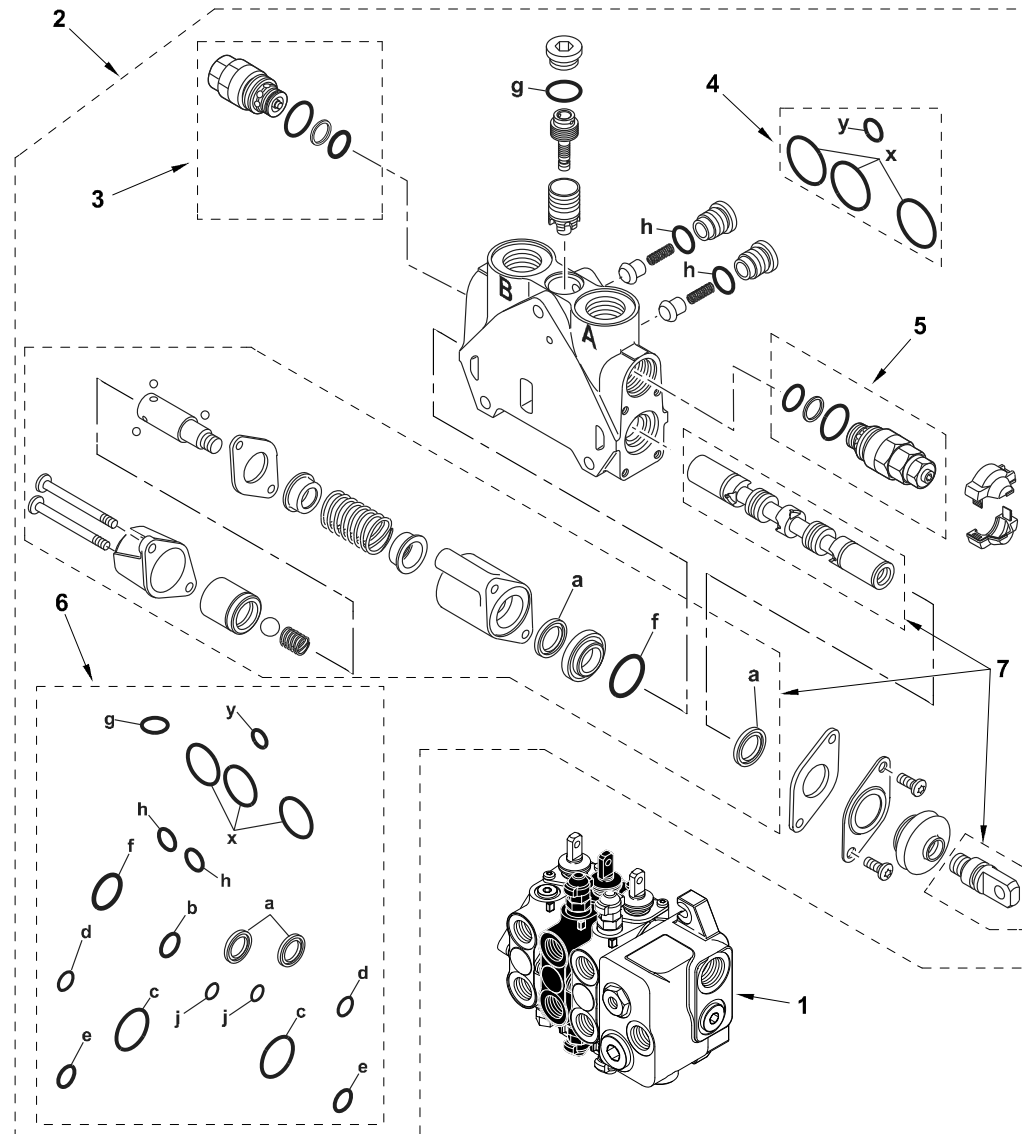




Item	Part No.	Qty.	English	French	German	Spanish	Remarks
1	6109210M91	1	Valve - Loader 3 Spool Mechanical	Ensemble Distributio	Steverventilblock Kp	Distribuidor, Conj.	
2	6194531M91	1	Element - Bucket	Element - Soupape	Element - Ventil	Elemento - Válvula	
3	6193804M91	1	Pressure Relief Valve H (310 Bar)	Valve Decharge	Druckbegrventil	Válvula De Seguridad	
4	6193771M91	1	Seal Interface Kit	Pochette De Joints	Dichsatz	Juego De Juntas	
5	6193801M91	1	Pressure Relief Valve H (345 Bar)	Valve Decharge	Druckbegrventil	Válvula De Seguridad	
6	6193781M91	1	Seal Kit Complete	Jeu Etancheite	Dichtringsatz	Juege De Juntas	
7	6194835M91	1	Spool Kit (Slice - Loader Bucket)	Jeu Tiroir	Schieber Satz	Juego Carrete	
8	6195101M91	1	Solenoid Kit	Solenoide	Magnetspule	Solenoide, Conj.	



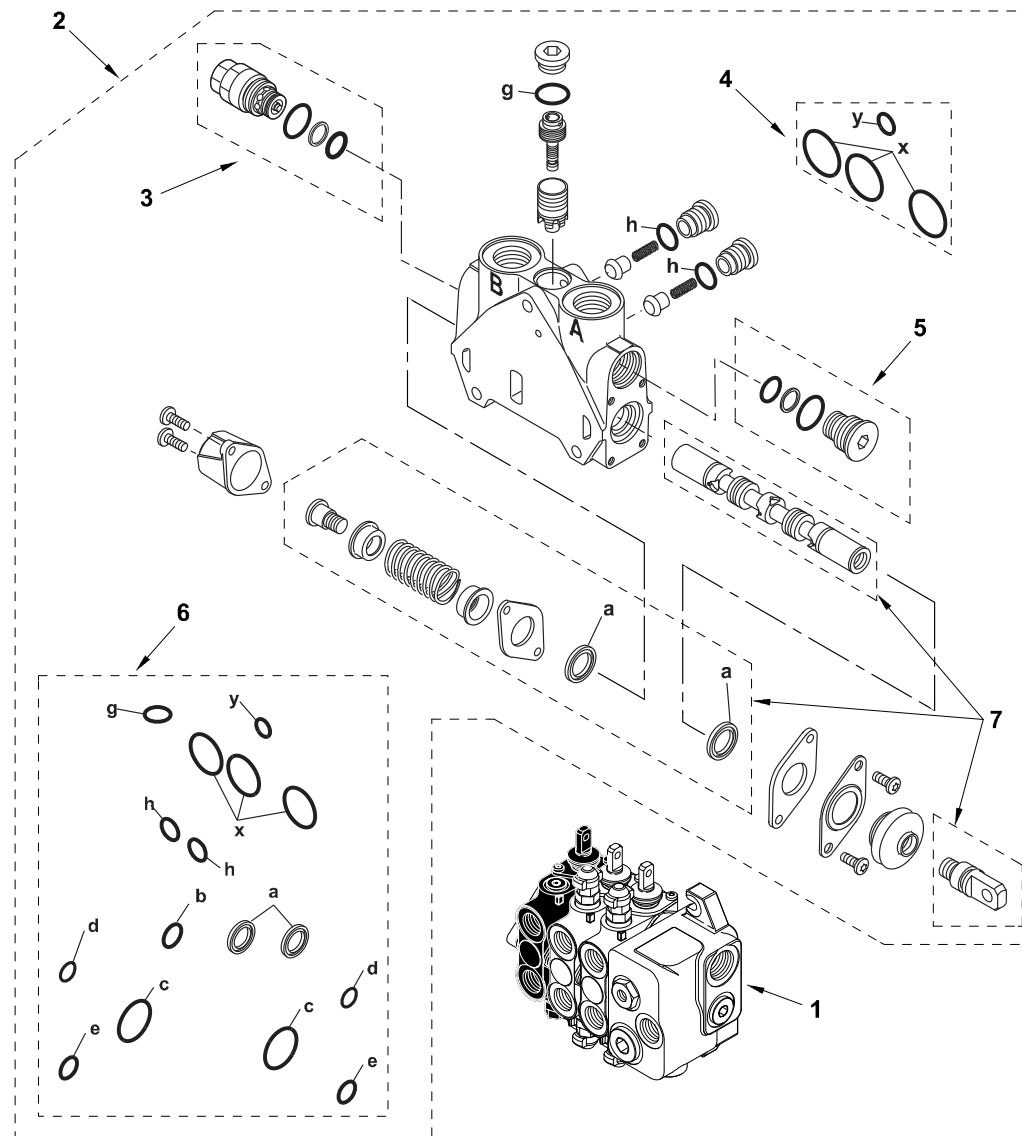
C-68026-06.1-A



Item	Part No.	Qty.	English	French	German	Spanish	Remarks
1	6109210M91	1	Valve - Loader 3 Spool Mechanical	Ensemble Distributio	Steverventilblock Kp	Distribuidor, Conj.	Continued
2	6194532M91	1	Element - Dipper	Element - Soupape	Element - Ventil	Elemento - Válvula	
3	6193782M91	1	Anti-Cavitation Valve E Port B	Ensemble De Soupape	Ventil Kpl.	Válvula, Conj.	
4	6193771M91	1	Seal Interface Kit	Pochette De Joints	Dichsatz	Juego De Juntas	
5	6193800M91	1	Pressure Relief Valve H 240 Bar	Valve Decharge	Druckbegrventil	Válvula De Seguridad	
6	6194518M91	1	Seal Kit	Jeu Etancheite	Dichtringsatz	Juego De Juntas	
7	6194836M91	1	Spool Kit (Slice - Loader Arm)	Jeu Tiroir	Schieber Satz	Juego Carrete	



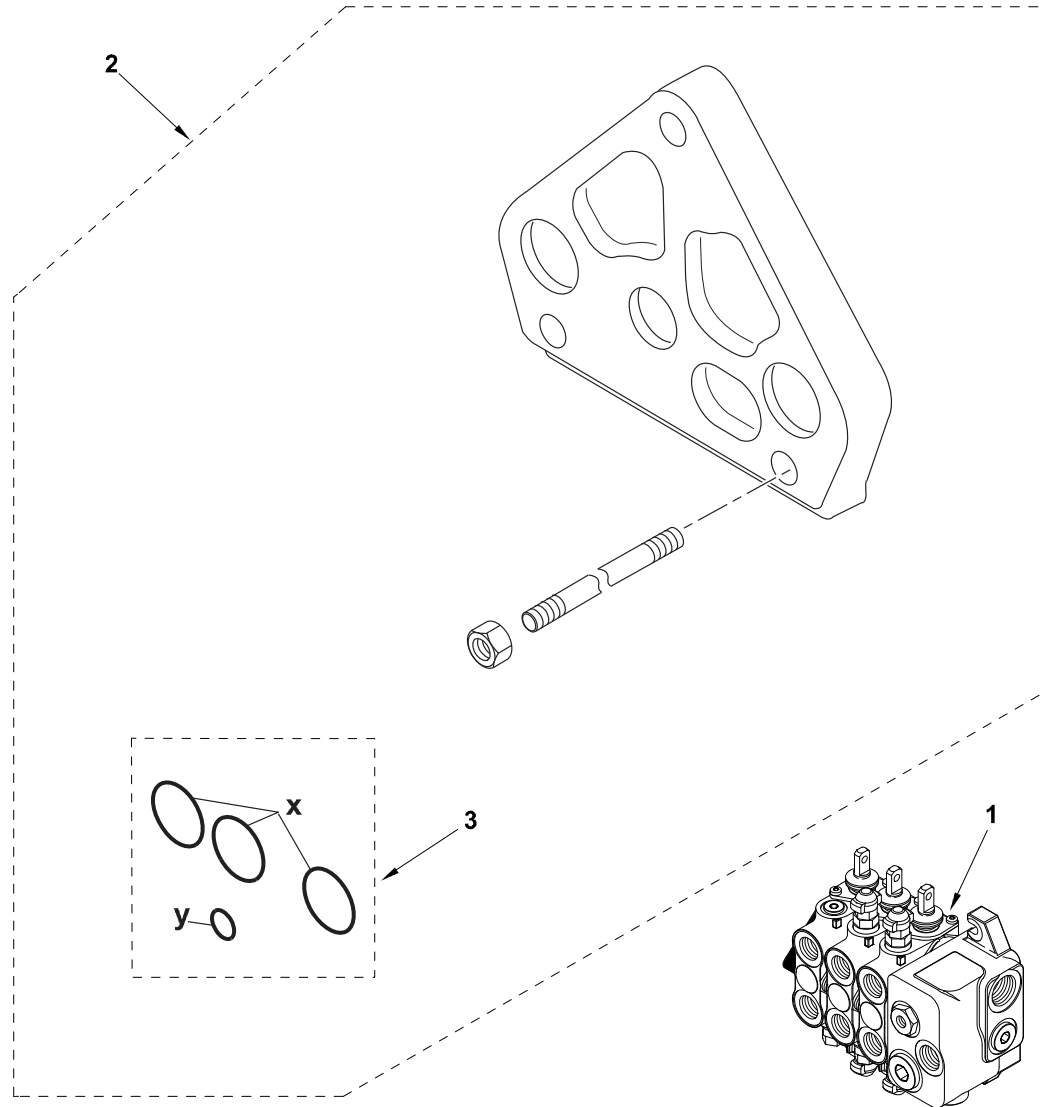
C-68026-07.1-A



Item	Part No.	Qty.	English	French	German	Spanish	Remarks
1	6109210M91	1	Valve - Loader 3 Spool Mechanical	Ensemble Distributio	Steverventilblock Kp	Distribuidor, Conj.	
2	6194533M91	1	Element - 4 X 1	Element - Soupape	Element - Ventil	Elemento - Válvula	
3	6193782M91	1	Anti-Cavitation Valve E Port B	Ensemble De Soupape	Ventil Kpl.	Válvula, Conj.	
4	6193771M91	1	Seal Interface Kit	Pochette De Joints	Dichsatz	Juego De Juntas	
5	6193785M91	1	Plug Q - Port B	Bouchon	Stopfen	Tapón, Conj.	
6	6193791M91	1	Seal Kit - L/S Valve	Jeu Étanchéité	Dichtringsatz	Juego De Juntas	
7	6194828M91	1	Spool Kit (Slice - Bucket 4 In 1 Loader)	Jeu Tiroir	Schieber Satz	Juego Carrete	



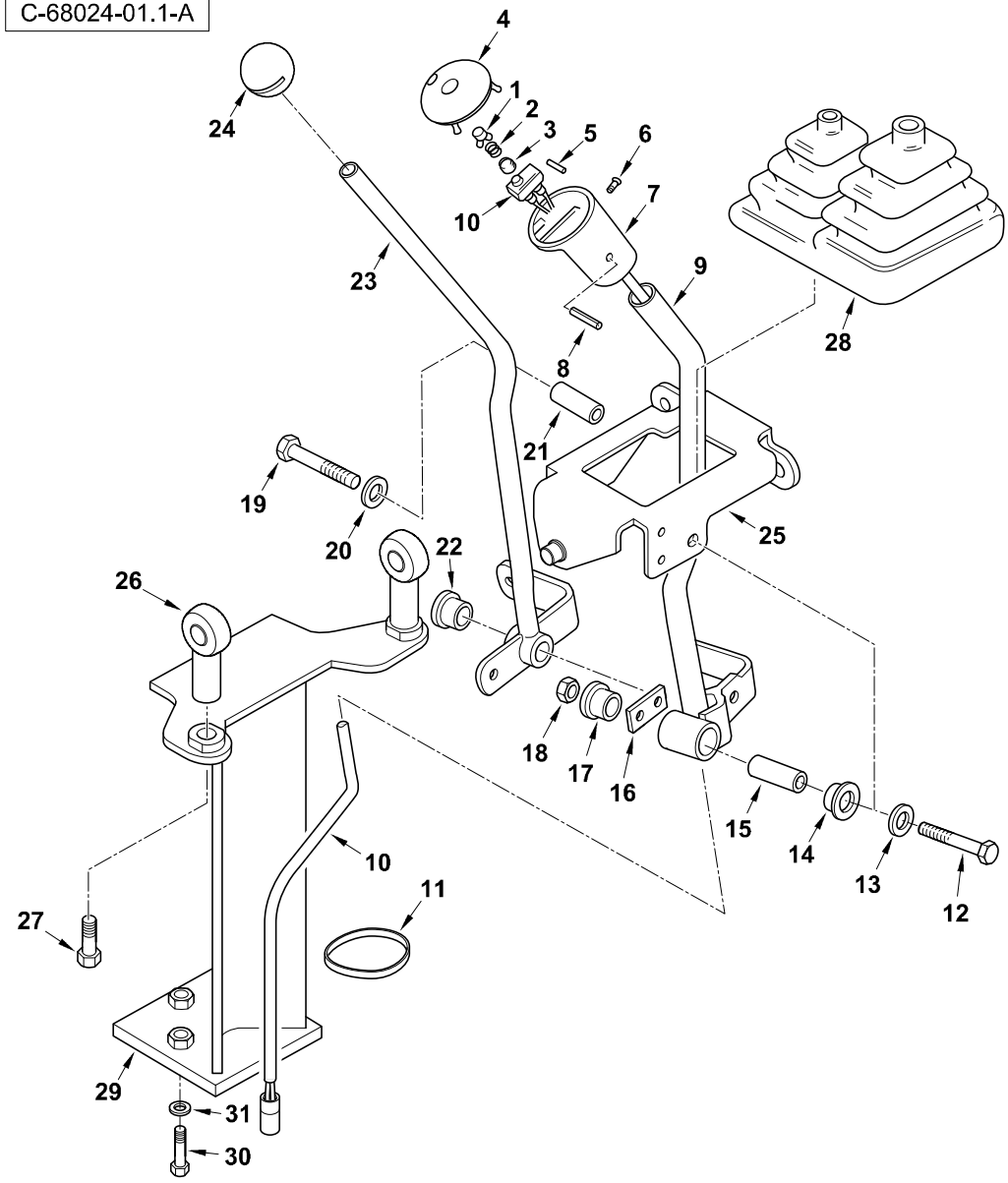
C-68026-08.1-A



<b>Item</b>	<b>Part No.</b>	<b>Qty.</b>	<b>English</b>	<b>French</b>	<b>German</b>	<b>Spanish</b>	<b>Remarks</b>
1	6109210M91	1	Valve - Loader 3 Spool Mechanical	Ensemble Distributio	Steverventilblock Kp	Distribuidor, Conj.	
2	6194517M91	1	Element - Outlet	Element - Soupape	Element - Ventil	Elemento - Válvula	
3	6193771M91	1	Seal Interface Kit	Pochette De Joints	Dichsatz	Juego De Juntas	



C-68024-01.1-A

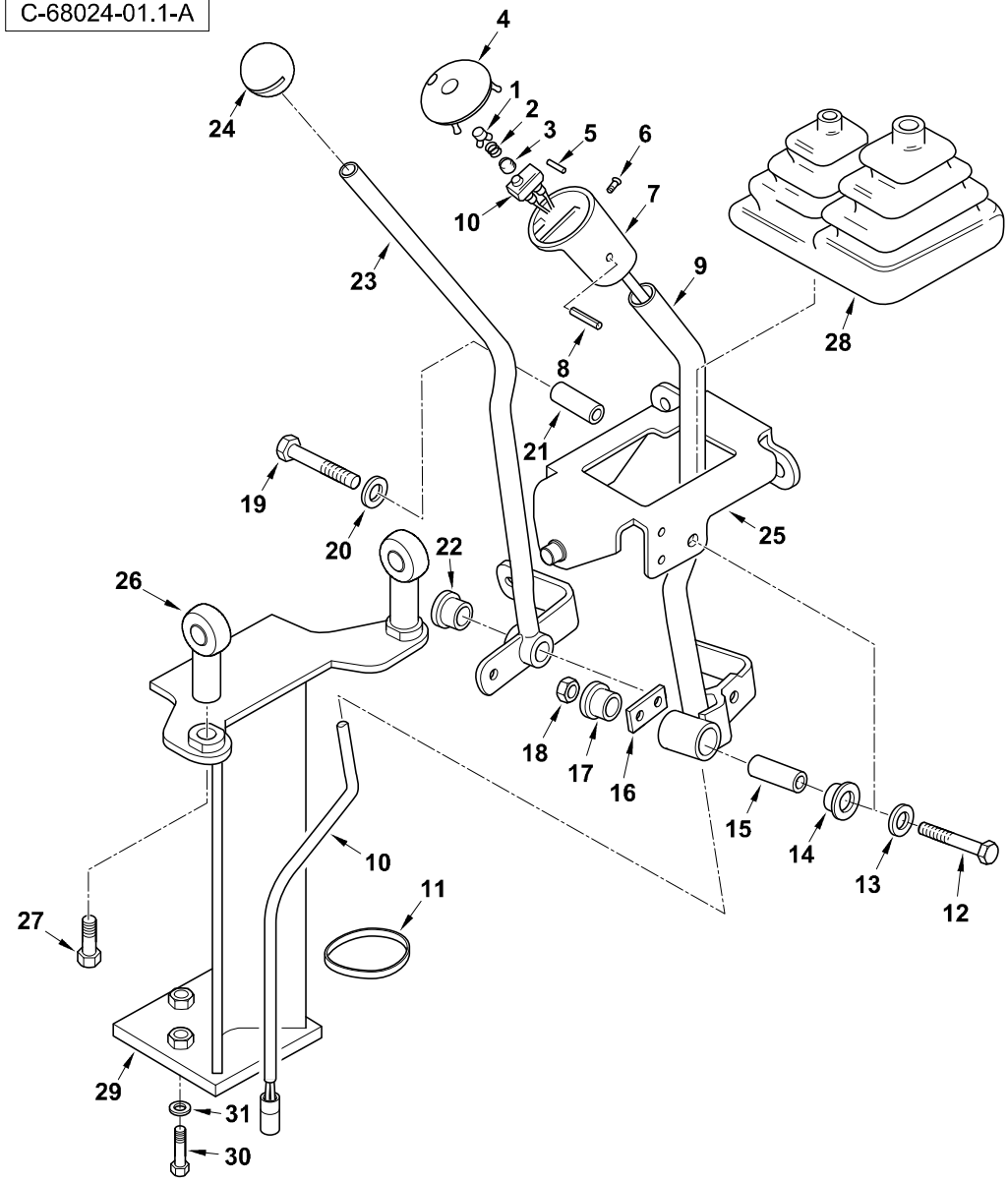




Item	Part No.	Qty.	English	French	German	Spanish	Remarks
1	3521894M4	2	Button Ldr Cntls	Bouton	Knopf	Botón	
2	3520328M3	2	Spring	Siege De Ressort	Feder	Muelle	
3	3522894M1	2	Boot Control Knob	Coffre	Schutzkappe	Fuelle	
4	3522285M5	1	Knob Top Ldr Cntl	Boule	Knauf	Bola	
5	3522507M3	4	Pin Parallel	Goupille D´Arrêt	Sicherungsstift	Pasador	
6	3516886M1	2	Screw C/Sk 1/4 Lng	Vis	Schraube	Tornillo	
7	3522621M5	1	Base Control Knob	Poignée De Levier	Griff	Empuñ. Palanca	
8	3019531X1	1	Pin - Roll	Goupille Elastique	Spannhulse	Pasador Elástico	
9	6109383M91	1	Lever - Loader Control W/Assy	Levier	Hebel	Palanca, Conj.	
10	3516043M94	1	Switch And Harness - Ldr. Cont. Lever	Interrupteur	Beschirring	Haz	
11	1664405M1	1	Tie Mm T50s	Attache Cable	Kabelbinder	Enlace De Cable	
12	339159X1	1	Bolt M8-65	Boulon	Bolzen	Tornillo	
13	6108769M1	1	Washer-M8 Nord-Lock	Rondelle De Blocage	Federring M8	Arandela De Freno	
14	6106560M1	1	Bush	Douille	Buechse	Anillo	
15	6106561M3	1	Spacer-Loader Controls	Entretoise	Abstandstueck	Traviesa	
16	6106562M1	1	Plate-L/Cont. Tie Bar	Barre	Stab	Placa	
17	6106560M1	1	Bush	Douille	Buechse	Anillo	
18	394367X1	1	Nut, Hex. - Nyloc, M8	Ecrou Blocage M8	Flachmutter - M8	Tuerca De Retención	
19	339291X1	1	Bolt M8-55 Z5s	Goupille	Bolzen M8 X 55	Tornillo	
20	6108769M1	1	Washer-M8 Nord-Lock	Rondelle De Blocage	Federring M8	Arandela De Freno	
21	6106561M3	1	Spacer-Loader Controls	Entretoise	Abstandstueck	Traviesa	
22	6106560M1	2	Bush	Douille	Buechse	Anillo	
23	6109386M91	1	Lever - Clam Control W/Assy	Levier	Hebel	Palanca, Conj.	
24	3509755M2	1	Knob Yellow	Boule	Knauf	Bola	
25	6109381M91	1	Cradle - Rexroth Valve W/Assy	Berceau	Fahrschemel	Soporte	
26	6102844M1	2	Rodend-M12 Spherical	Support De Fixation	Kugelkopf, Plastik	Soporte De Fijación	
27	3009505X1	2	Hex. Bolt, M12 X 25 - Coarse	Boulon	Bolzen M12 X 25	Perno	
28	6109928M1	1	Gaiter (Black) - Loader Lever	Souf•et	Manschette	Fuelle	
29	6109802M91	1	Loader Control Column Assy	Ensemble De Support	Haltevorrichtung	Apoyadero, Conj.	
30	339009X1	3	Bolt - M8 X 35	Boulon M8 X 35	Maschschraube M8	Tornillo	



C-68024-01.1-A



<b>Item</b>	<b>Part No.</b>	<b>Qty.</b>	<b>English</b>	<b>French</b>	<b>German</b>	<b>Spanish</b>	<b>Remarks</b>
31	339374X1	3	Washer M8 -21-2 Z	Rondelle Frein - M8	Federring - M8	Arandela De Freno	



THIS PAGE INTENTIONALLY LEFT BLANK



Item	Part No.	Qty.	English	French	German	Spanish	Remarks
1	6102738M93	1	Rod Assy. - Loader Control	Ensemble Tringlerie	Gestänge	Tirantes, Conj.	
2	6102816M1	1	Pin-Clevis	Axe De Chape	Gabelstift	Eje De Brida	
3	3516322M1	1	Clip, Spring - No.8	Clip	Klips	Clip	
4	3519590M1	1	Clevis LH Thread	Chape	Gabelverbindung	Brida	
5	3518878M3	1	Washer	Rondelle	Scheibe	Arandela	
6	3519650M1	1	Nut, Hex - M8, L/H Thread	Ecrou	Mutter	Tuerca	
7	#ROD	1	Rod	Rod	Rod	Rod	
8	339169X1	1	Nut, Hex. - M8, Coarse	Ecrou Métrique	Mutter Metrisch	Tuerca	
9	6102733M1	1	Turnbuckle M8	Tendeur De Tringle	Spannschloss	Torniquete	
10	3519650M1	1	Nut, Hex - M8, L/H Thread	Ecrou	Mutter	Tuerca	
11	#ROD	1	Rod	Rod	Rod	Rod	
12	3519589M1	1	Ball-Joint	Rotule	Kugelgelenk	Rotula	
13	394367X1	1	Nut, Hex. - Nyloc, M8	Ecrou Blocage M8	Flachmutter - M8	Tuerca De Retención	
14	6102737M92	2	Rod Assy. - Loader Control	Tringle	Stange	Tirantes, Conj.	
15	3520666M1	1	Pin W/ Spring Clip	Axe De Chape	Gabelstift	Eje De Brida	
16	3519590M1	1	Clevis LH Thread	Chape	Gabelverbindung	Brida	
17	#ROD	1	Rod	Rod	Rod	Rod	Ref. 14
18	339169X1	1	Nut, Hex. - M8, Coarse	Ecrou Métrique	Mutter Metrisch	Tuerca	
19	6102733M1	1	Turnbuckle M8	Tendeur De Tringle	Spannschloss	Torniquete	
20	3519650M1	1	Nut, Hex - M8, L/H Thread	Ecrou	Mutter	Tuerca	
21	#ROD	1	Rod	Rod	Rod	Rod	Ref. 14
22	3519589M1	1	Ball-Joint	Rotule	Kugelgelenk	Rotula	
23	394367X1	2	Nut, Hex. - Nyloc, M8	Ecrou Blocage M8	Flachmutter - M8	Tuerca De Retención	
24	6109761M1	1	Spring-Ldr Control	Siège De Ressort	Federsitz	Muelle	
25	T101140	1	Loader Tower Moulding (Black)	Moulure - Tourelle	Pressling - Turm	Bordon - Torre	
26	3516856M3	1	Plate, Gaiter - Loader Controls	Plaque	Platte	Placa	
27	3521303M3	6	Fastener, Plastic - Gear Lever Gaiter	Agrafe	Halteklammer	Enganche	
28	3512552M1	3	Screw Pan Hd.M5 X 12	Vis	Schraube	Tornillo	
29	6101874M1	1	Decal-Ldr Controls 7 In 1	Adhésif	Aufkleber	Adhesivo	
30	6109325M91	1	Valve Assembly - Loader Rexroth	Ensemble Distributio	Steuerventilblock Kp	Distribuidor, Conj.	

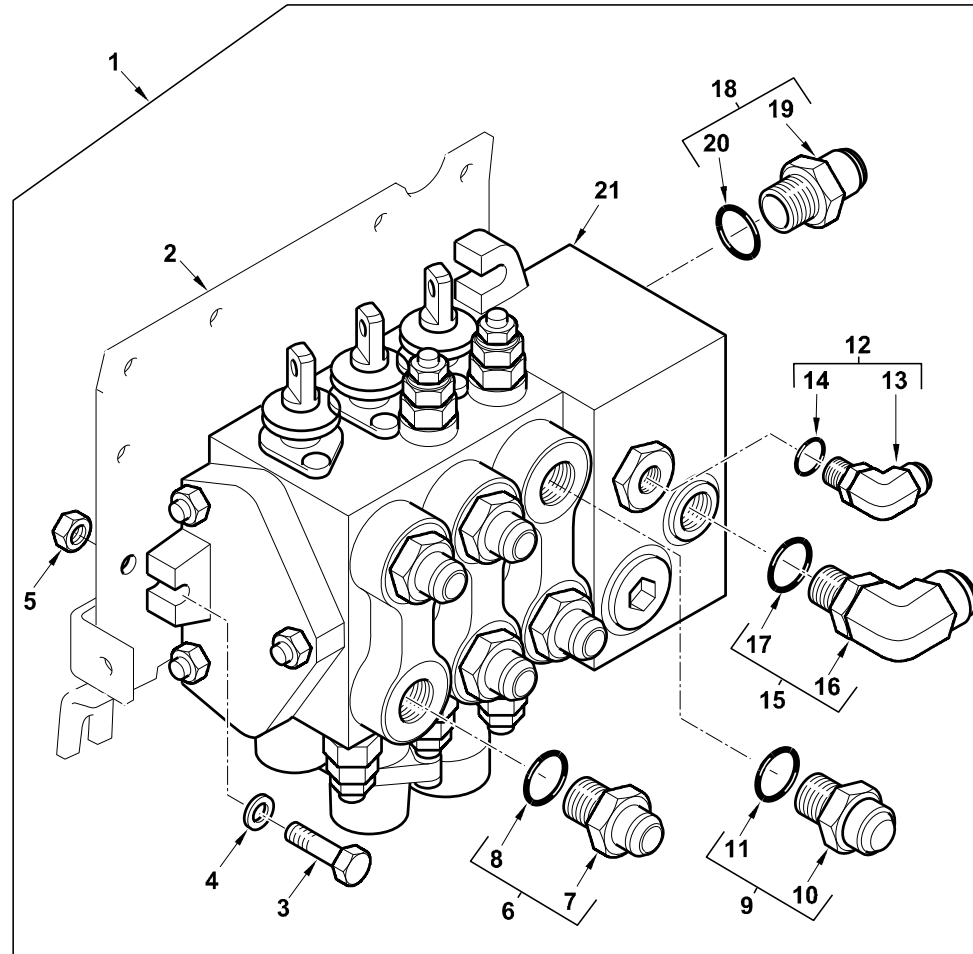


31	3009492X1	2	Bolt - Hex. M10 X 25	Boulon M10 X 25	Schraube M10 X 25	Tornillo
32	3009492X1	1	Bolt - Hex. M10 X 25	Boulon M10 X 25	Schraube M10 X 25	Tornillo
33	385362X1	1	Washer, Hardened - M10	Rondelle - M10	Unterlegscheibe M10	Arandela

THIS PAGE INTENTIONALLY LEFT BLANK



C-68024-03.1-A

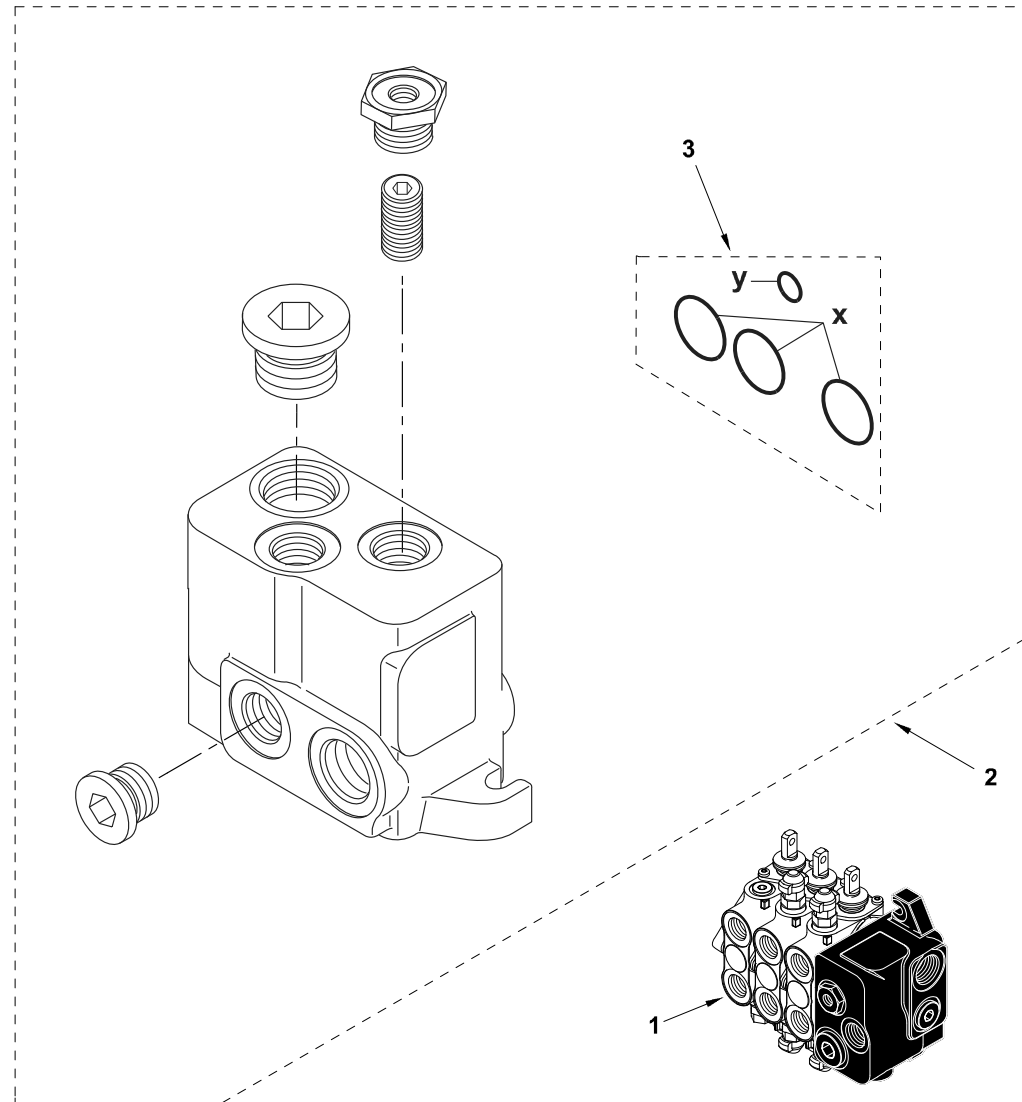




Item	Part No.	Qty.	English	French	German	Spanish	Remarks
1	6109325M91	1	Valve Assembly - Loader Rexroth	Ensemble Distributio	Steuerventilblock Kp	Distribuidor, Conj.	
2	6109370M91	1	Plate - Rexroth Loader Valve W/Assy	Plaque	Platte	Placa, Conj.	
3	3009496X1	3	Bolt Hex - M10 X 45 (Coarse)	Boulon M10 X 45	Maschschraube - M10	Tornillo	
4	385362X1	3	Washer, Hardened - M10	Rondelle - M10	Unterlegscheibe M10	Arandela	
5	1440329X1	3	Nut, Hex. - Nyloc, M10	Ecrou Blocage	Flachmutter M10	Tuerca De Retención	
6	365715X91	5	Connector, Hydr.-Straight, 1 1/16 X 7/8	Borne	Doppelnippel	Conexión, Conj.	
7	#CONNECTOR	1	Connector	Connector	Connector	Connector	Ref. 6
8	835025M1	1	Ring O	Joint Torique	O Ring	Junta De Tipo O	
9	835057M91	1	Connector B1510m-12-12	Raccord	Schraubanschluss	Conexión, Conj.	
10	#CONNECTOR	1	Connector	Connector	Connector	Connector	Ref. 9
11	835025M1	1	Ring O	Joint Torique	O Ring	Junta De Tipo O	
12	357197X91	1	Elbow & O Ring	Coude	Kniestück, 90°	Codo, 90°	
13	#ELBOW	1	Elbow	Elbow	Elbow	Elbow	Ref. 12
14	831452M1	1	O Ring (Pack Of 10)	Joint Torique	O Ring	Junta De Tipo O	
15	358764X91	1	Elbow 90 Deg	Coude 90°	Kniestück, 90°	Codo, 90°	
16	#ELBOW	1	Elbow	Elbow	Elbow	Elbow	Ref. 15
17	835025M1	1	Ring O	Joint Torique	O Ring	Junta De Tipo O	
18	835014M91	1	Connector - 1 5/16" To 1 5/16"	Borne	Doppelnippel	Unión	
19	#CONNECTOR	1	Connector	Connector	Connector	Connector	Ref. 18
20	835026M1	1	O-Ring	Joint Torique	O-Ring	Junta De Tipo O	
21	6109210M91	1	Valve - Loader 3 Spool Mechanical	Ensemble Distributio	Steuerventilblock Kp	Distribuidor, Conj.	



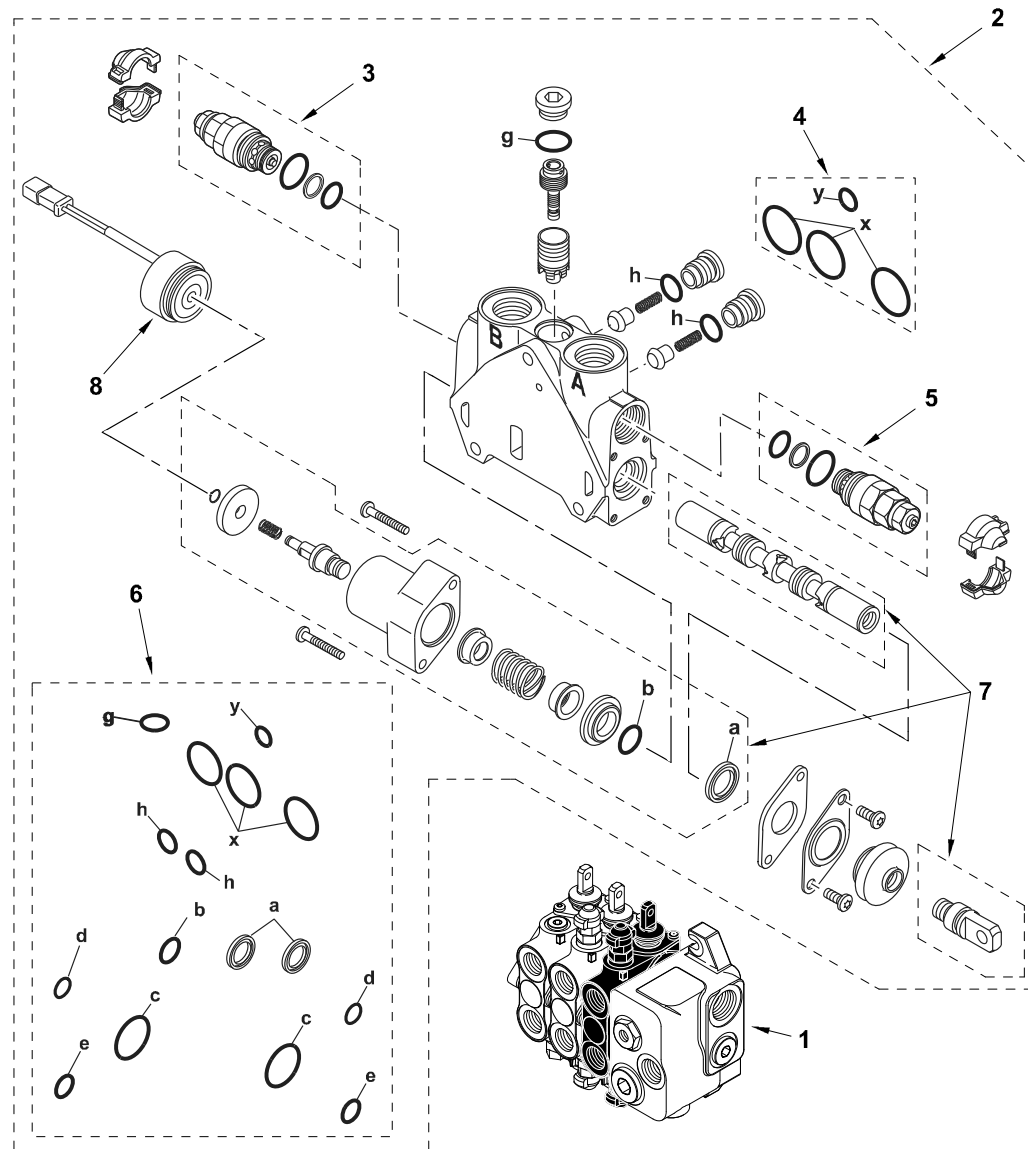
C-68024-04.1-A



<b>Item</b>	<b>Part No.</b>	<b>Qty.</b>	<b>English</b>	<b>French</b>	<b>German</b>	<b>Spanish</b>	<b>Remarks</b>
1	6109210M91	1	Valve - Loader 3 Spool Mechanical	Ensemble Distributio	Steverventilblock Kp	Distribuidor, Conj.	
2	6194535M91	1	Element - Inlet	Element - Soupape	Element - Ventil	Elemento - Válvula	Inlet
3	6193771M91	1	Seal Interface Kit	Pochette De Joints	Dichsatz	Juego De Juntas	



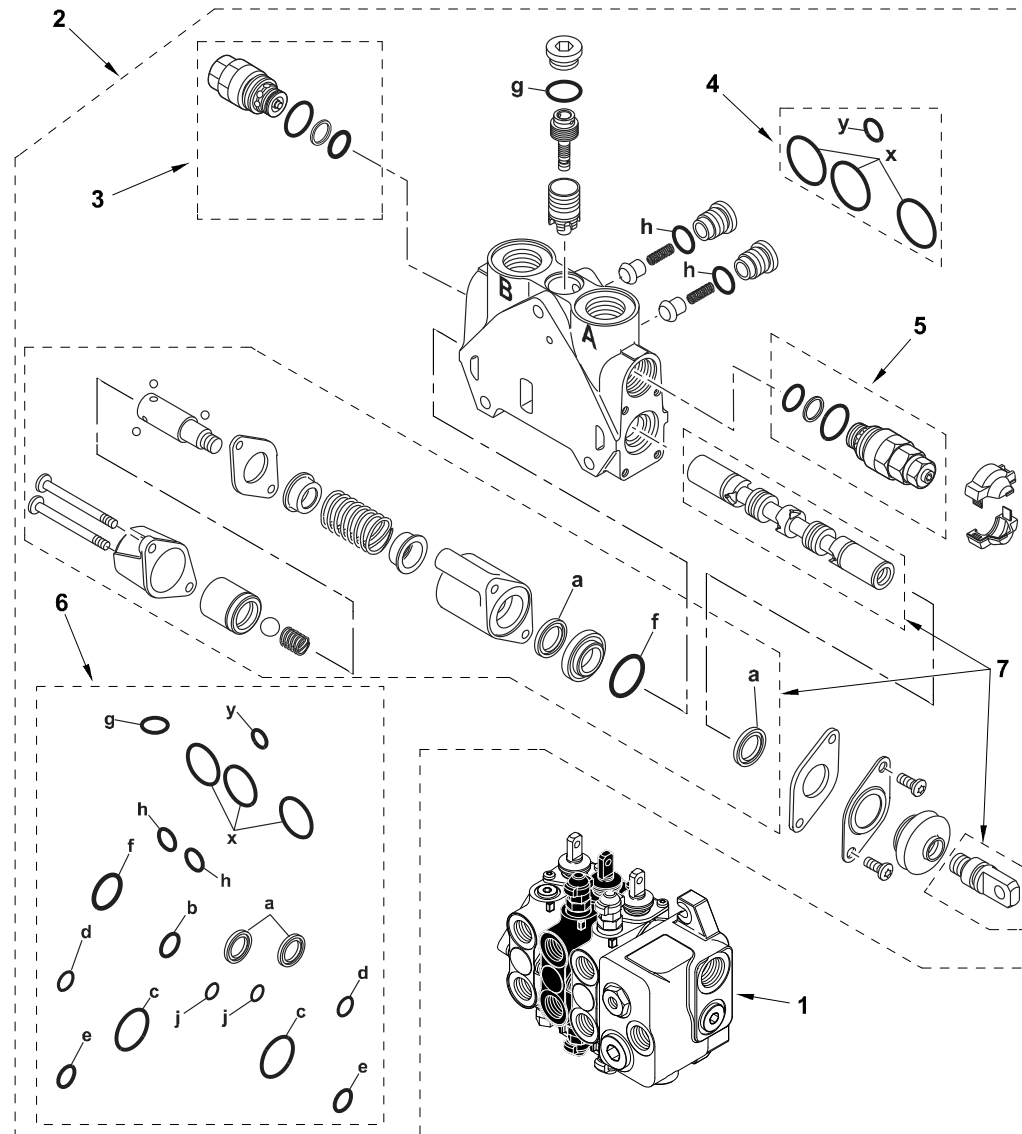
C-68024-05.1-A



Item	Part No.	Qty.	English	French	German	Spanish	Remarks
1	6109210M91	1	Valve - Loader 3 Spool Mechanical	Ensemble Distributio	Steverventilblock Kp	Distribuidor, Conj.	
2	6194531M91	1	Element - Bucket	Element - Soupape	Element - Ventil	Elemento - Válvula	
3	6193804M91	1	Pressure Relief Valve H (310 Bar)	Valve Decharge	Druckbegrventil	Válvula De Seguridad	
4	6193771M91	1	Seal Interface Kit	Pochette De Joints	Dichsatz	Juego De Juntas	
5	6193801M91	1	Pressure Relief Valve H (345 Bar)	Valve Decharge	Druckbegrventil	Válvula De Seguridad	
6	6193781M91	1	Seal Kit Complete	Jeu Etancheite	Dichtringsatz	Juege De Juntas	
7	6194835M91	1	Spool Kit (Slice - Loader Bucket)	Jeu Tiroir	Schieber Satz	Juego Carrete	
8	6195101M91	1	Solenoid Kit	Solenoide	Magnetspule	Solenoide, Conj.	



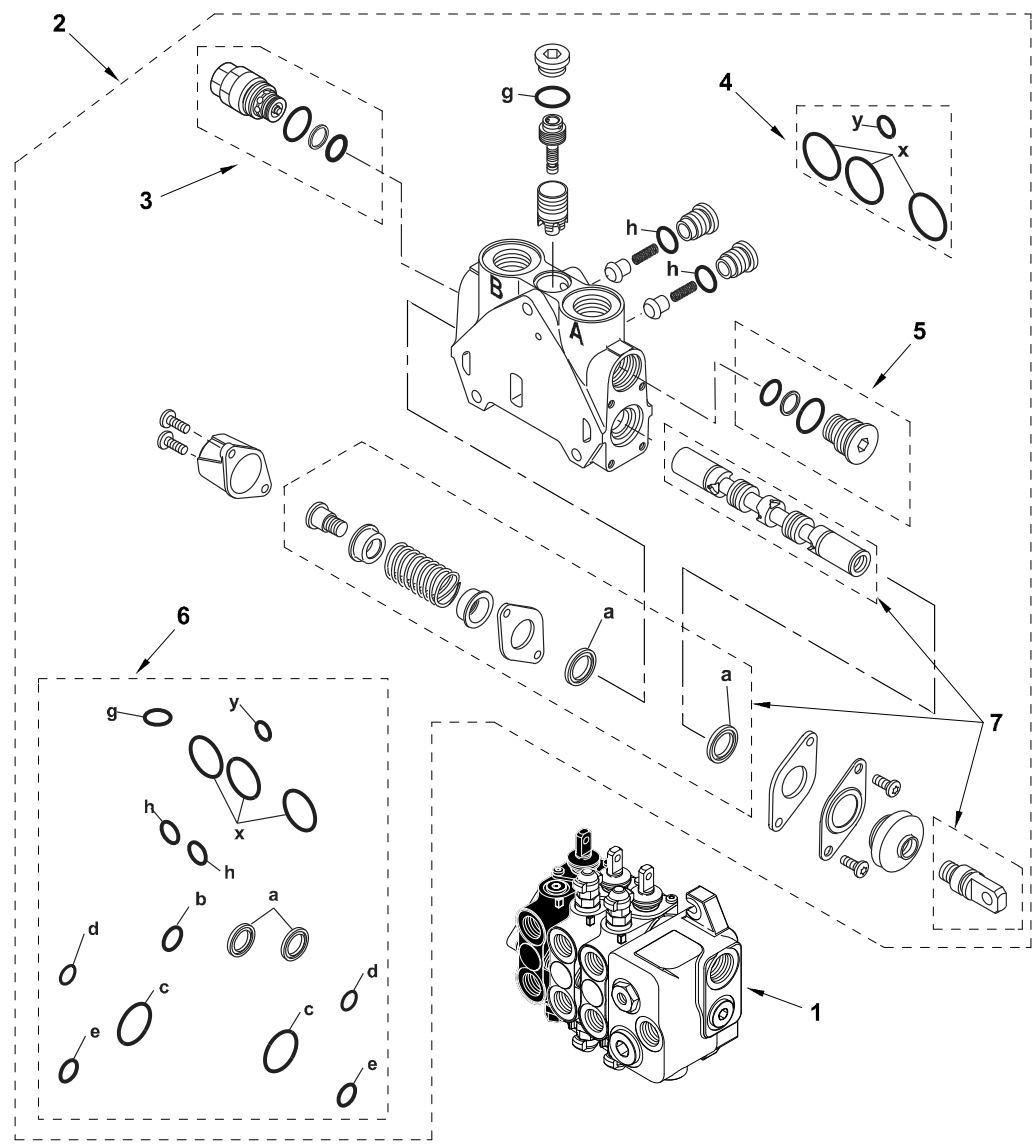
C-68024-06.1-A



Item	Part No.	Qty.	English	French	German	Spanish	Remarks
1	6109210M91	1	Valve - Loader 3 Spool Mechanical	Ensemble Distributio	Steverventilblock Kp	Distribuidor, Conj.	Continued
2	6194532M91	1	Element - Dipper	Element - Soupape	Element - Ventil	Elemento - Válvula	
3	6193782M91	1	Anti-Cavitation Valve E Port B	Ensemble De Soupape	Ventil Kpl.	Válvula, Conj.	
4	6193771M91	1	Seal Interface Kit	Pochette De Joints	Dichsatz	Juego De Juntas	
5	6193800M91	1	Pressure Relief Valve H 240 Bar	Valve Decharge	Druckbegrventil	Válvula De Seguridad	
6	6194518M91	1	Seal Kit	Jeu Etancheite	Dichtringsatz	Juego De Juntas	
7	6194836M91	1	Spool Kit (Slice - Loader Arm)	Jeu Tiroir	Schieber Satz	Juego Carrete	



C-68024-07.1-A

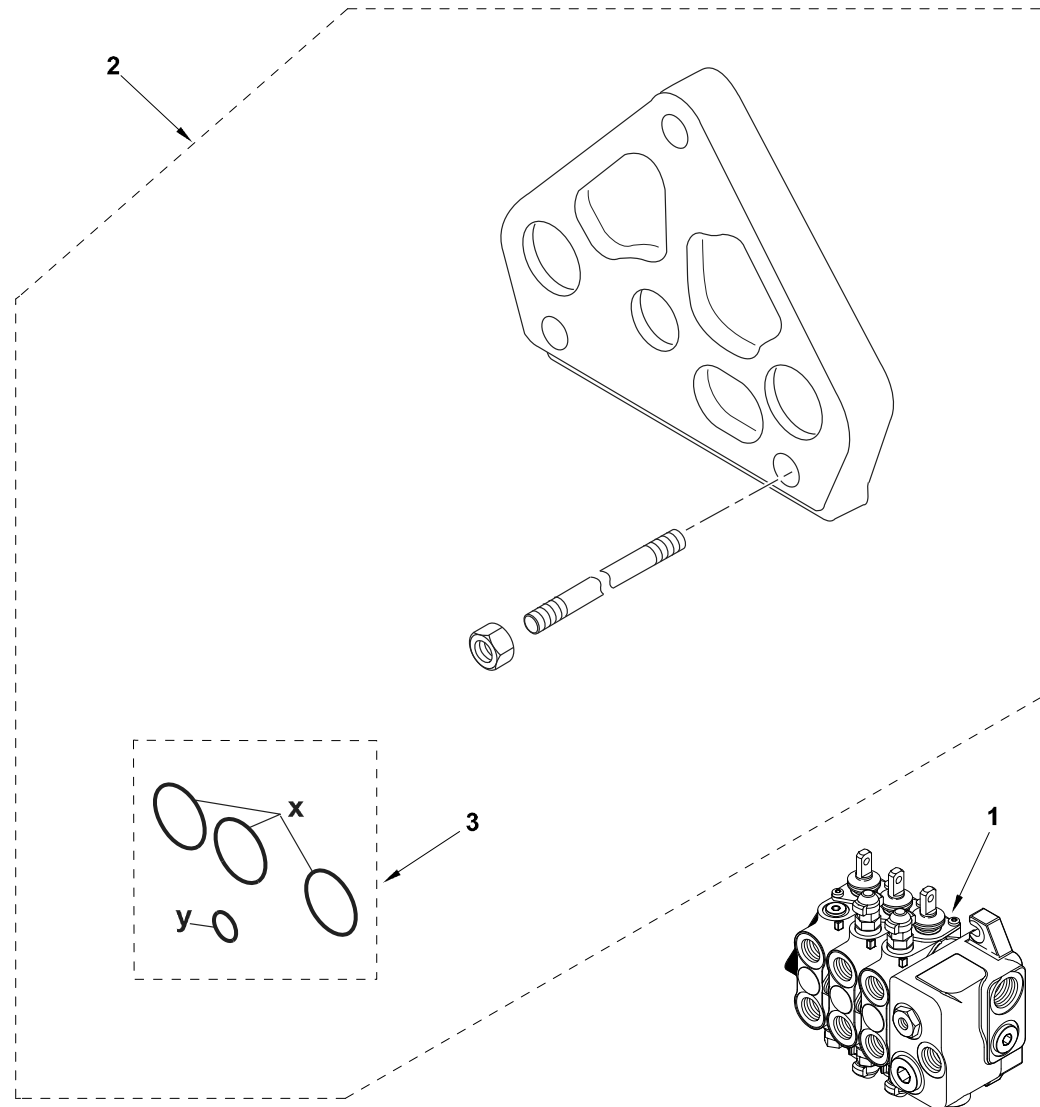




Item	Part No.	Qty.	English	French	German	Spanish	Remarks
1	6109210M91	1	Valve - Loader 3 Spool Mechanical	Ensemble Distributio	Steverventilblock Kp	Distribuidor, Conj.	
2	6194533M91	1	Element - 4 X 1	Element - Soupape	Element - Ventil	Elemento - Válvula	
3	6193782M91	1	Anti-Cavitation Valve E Port B	Ensemble De Soupape	Ventil Kpl.	Válvula, Conj.	
4	6193771M91	1	Seal Interface Kit	Pochette De Joints	Dichsatz	Juego De Juntas	
5	6193785M91	1	Plug Q - Port B	Bouchon	Stopfen	Tapón, Conj.	
6	6193791M91	1	Seal Kit - L/S Valve	Jeu Étanchéité	Dichtringsatz	Juego De Juntas	
7	6194828M91	1	Spool Kit (Slice - Bucket 4 In 1 Loader)	Jeu Tiroir	Schieber Satz	Juego Carrete	



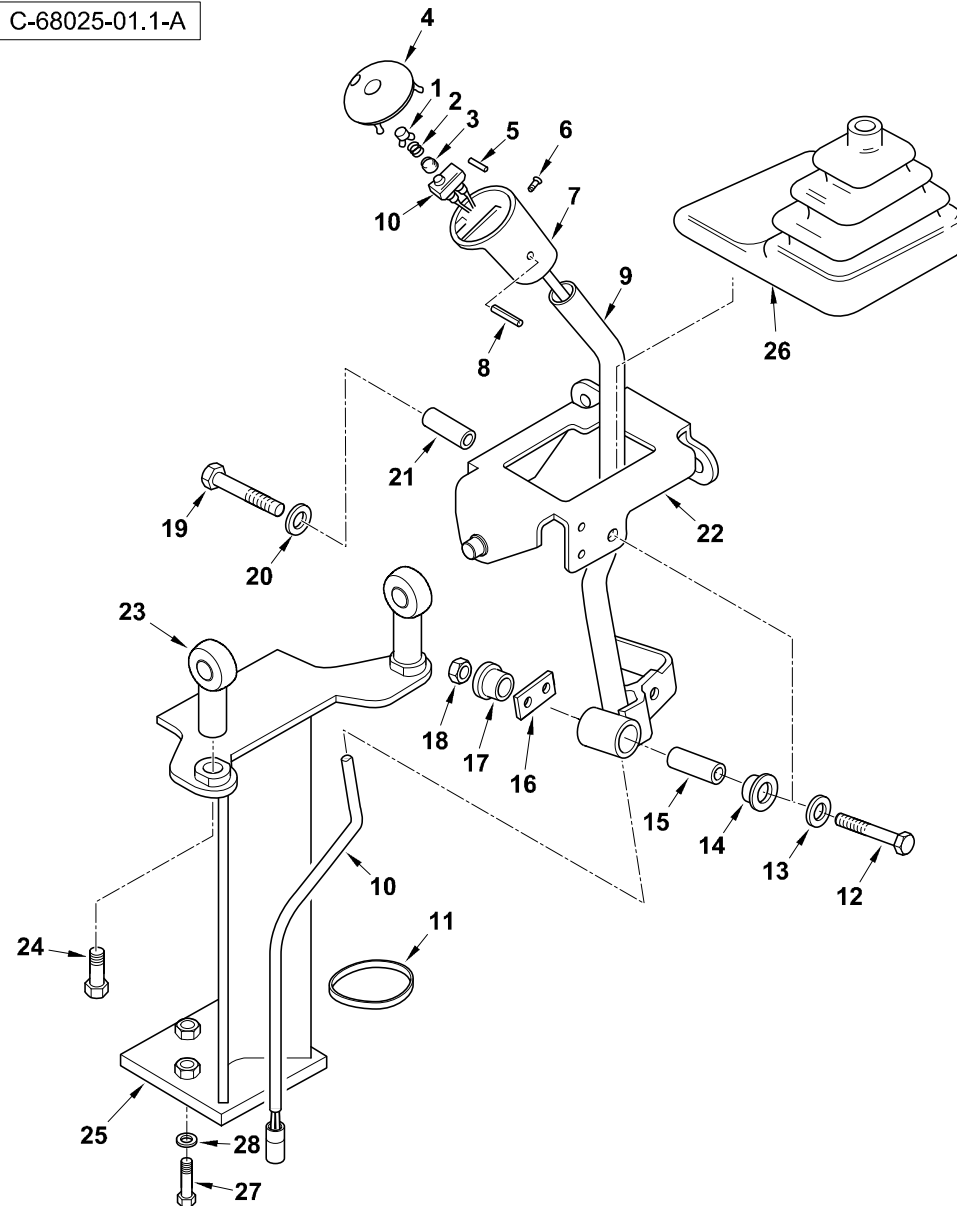
C-68024-08.1-A



<b>Item</b>	<b>Part No.</b>	<b>Qty.</b>	<b>English</b>	<b>French</b>	<b>German</b>	<b>Spanish</b>	<b>Remarks</b>
1	6109210M91	1	Valve - Loader 3 Spool Mechanical	Ensemble Distributio	Steverventilblock Kp	Distribuidor, Conj.	
2	6194517M91	1	Element - Outlet	Element - Soupape	Element - Ventil	Elemento - Válvula	
3	6193771M91	1	Seal Interface Kit	Pochette De Joints	Dichsatz	Juego De Juntas	

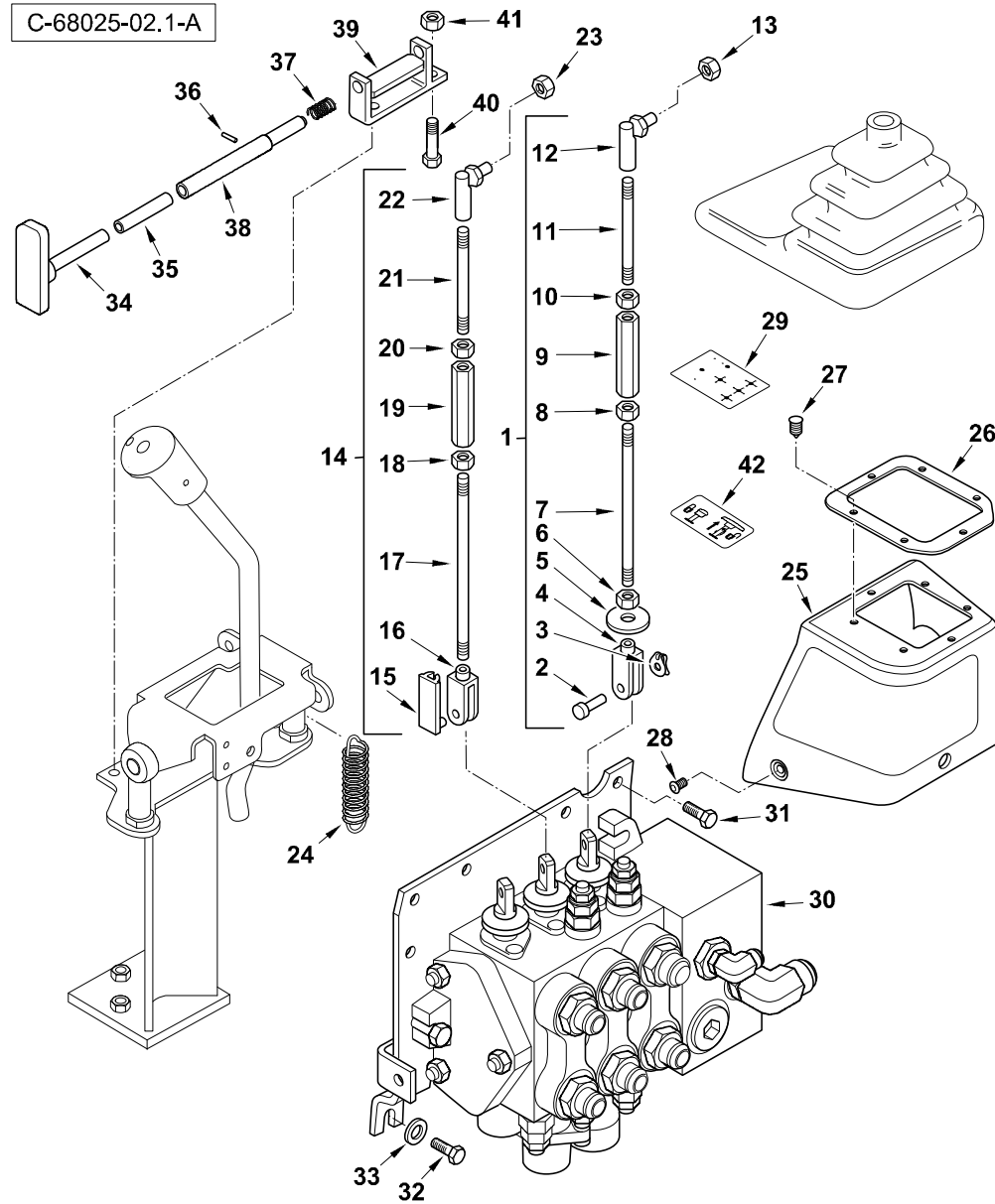


C-68025-01.1-A



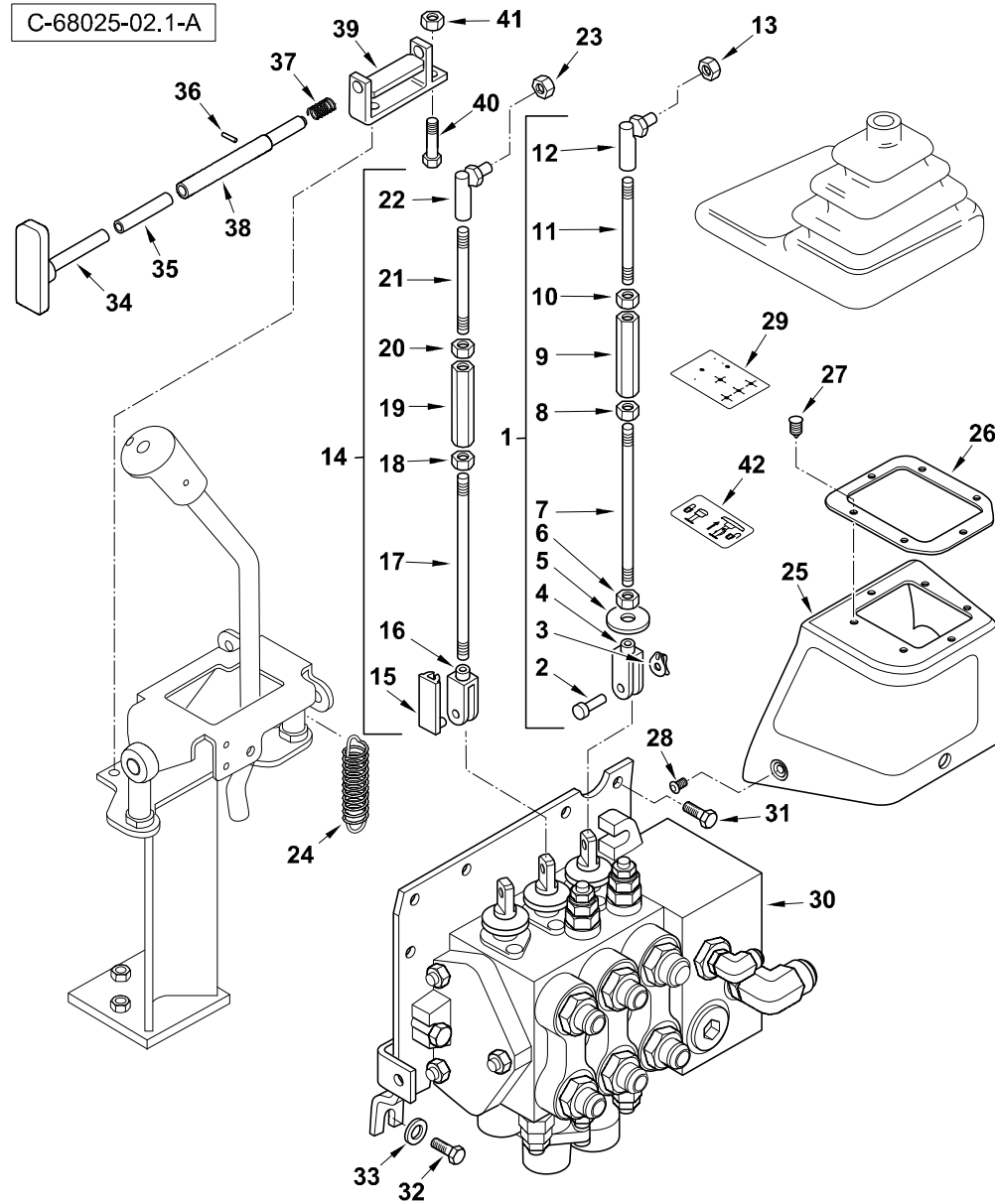
Item	Part No.	Qty.	English	French	German	Spanish	Remarks
1	3521894M4	2	Button Ldr Cntls	Bouton	Knopf	Botón	
2	3520328M3	2	Spring	Siege De Ressort	Feder	Muelle	
3	3522894M1	2	Boot Control Knob	Coffre	Schutzkappe	Fuelle	
4	3522285M5	1	Knob Top Ldr Cntl	Boule	Knauf	Bola	
5	3522507M3	4	Pin Parallel	Goupille D´Arrêt	Sicherungsstift	Pasador	
6	3516886M1	2	Screw C/Sk 1/4 Lng	Vis	Schraube	Tornillo	
7	3522621M5	1	Base Control Knob	Poignée De Levier	Griff	Empuñ. Palanca	
8	3019531X1	1	Pin - Roll	Goupille Elastique	Spannhulse	Pasador Elástico	
9	6109383M91	1	Lever - Loader Control W/Assy	Levier	Hebel	Palanca, Conj.	
10	3516043M94	1	Switch And Harness - Ldr. Cont. Lever	Interrupteur	Beschirring	Haz	
11	1664405M1	1	Tie Mm T50s	Attache Cable	Kabelbinder	Enlace De Cable	
12	339159X1	1	Bolt M8-65	Boulon	Bolzen	Tornillo	
13	6108769M1	1	Washer-M8 Nord-Lock	Rondelle De Blocage	Federring M8	Arandela De Freno	
14	6106560M1	1	Bush	Douille	Buechse	Anillo	
15	6106561M3	1	Spacer-Loader Controls	Entretoise	Abstandstueck	Traviesa	
16	6106562M1	1	Plate-L/Cont. Tie Bar	Barre	Stab	Placa	
17	6106560M1	1	Bush	Douille	Buechse	Anillo	
18	394367X1	1	Nut, Hex. - Nyloc, M8	Ecrou Blocage M8	Flachmutter - M8	Tuerca De Retención	
19	339291X1	1	Bolt M8-55 Z5s	Goupille	Bolzen M8 X 55	Tornillo	
20	6108769M1	1	Washer-M8 Nord-Lock	Rondelle De Blocage	Federring M8	Arandela De Freno	
21	6106561M3	1	Spacer-Loader Controls	Entretoise	Abstandstueck	Traviesa	
22	6109381M91	1	Cradle - Rexroth Valve W/Assy	Berceau	Fahrschemel	Soporte	
23	6102844M1	2	Rodend-M12 Spherical	Support De Fixation	Kugelkopf, Plastik	Soporte De Fijación	
24	3009505X1	2	Hex. Bolt, M12 X 25 - Coarse	Boulon	Bolzen M12 X 25	Perno	
25	6109802M91	1	Loader Control Column Assy	Ensemble De Support	Haltevorrichtung	Apoyadero, Conj.	
26	6109927M1	1	Gaiter (Black) - Loader Lever	Souf•et	Manschette	Fuelle	
27	339009X1	3	Bolt - M8 X 35	Boulon M8 X 35	Maschschaube M8	Tornillo	
28	339374X1	3	Washer M8 -21-2 Z	Rondelle Frein - M8	Federring - M8	Arandela De Freno	





Item	Part No.	Qty.	English	French	German	Spanish	Remarks
1	6102738M93	1	Rod Assy. - Loader Control	Ensemble Tringlerie	Gestänge	Tirantes, Conj.	
2	6102816M1	1	Pin-Clevis	Axe De Chape	Gabelstift	Eje De Brida	
3	3516322M1	1	Clip, Spring - No.8	Clip	Klips	Clip	
4	3519590M1	1	Clevis LH Thread	Chape	Gabelverbindung	Brida	
5	3518878M3	1	Washer	Rondelle	Scheibe	Arandela	
6	3519650M1	1	Nut, Hex - M8, L/H Thread	Ecrou	Mutter	Tuerca	
7	#ROD	1	Rod	Rod	Rod	Rod	Ref. 1
8	339169X1	1	Nut, Hex. - M8, Coarse	Ecrou Métrique	Mutter Metrisch	Tuerca	
9	6102733M1	1	Turnbuckle M8	Tendeur De Tringle	Spannschloss	Torniquete	
10	3519650M1	1	Nut, Hex - M8, L/H Thread	Ecrou	Mutter	Tuerca	
11	#ROD	1	Rod	Rod	Rod	Rod	Ref. 1
12	3519589M1	1	Ball-Joint	Rotule	Kugelgelenk	Rotula	
13	394367X1	1	Nut, Hex. - Nyloc, M8	Ecrou Blocage M8	Flachmutter - M8	Tuerca De Retención	
14	6102737M92	1	Rod Assy. - Loader Control	Tringle	Stange	Tirantes, Conj.	
15	3520666M1	1	Pin W/ Spring Clip	Axe De Chape	Gabelstift	Eje De Brida	
16	3519590M1	1	Clevis LH Thread	Chape	Gabelverbindung	Brida	
17	#ROD	1	Rod	Rod	Rod	Rod	Ref. 14
18	339169X1	1	Nut, Hex. - M8, Coarse	Ecrou Métrique	Mutter Metrisch	Tuerca	
19	6102733M1	1	Turnbuckle M8	Tendeur De Tringle	Spannschloss	Torniquete	
20	3519650M1	1	Nut, Hex - M8, L/H Thread	Ecrou	Mutter	Tuerca	
21	#ROD	1	Rod	Rod	Rod	Rod	Ref. 14
22	3519589M1	1	Ball-Joint	Rotule	Kugelgelenk	Rotula	
23	394367X1	1	Nut, Hex. - Nyloc, M8	Ecrou Blocage M8	Flachmutter - M8	Tuerca De Retención	
24	6109761M1	1	Spring-Ldr Control	Siège De Ressort	Federsitz	Muelle	
25	T101141	1	Loader Tower Moulding (Black)	Moulure - Tourelle	Pressling - Turm	Bordon - Torre	
26	3516856M3	1	Plate, Gaiter - Loader Controls	Plaque	Platte	Placa	
27	3521303M3	6	Fastener, Plastic - Gear Lever Gaiter	Agrafe	Halteklammer	Enganche	
28	3512552M1	3	Screw Pan Hd.M5 X 12	Vis	Schraube	Tornillo	
29	6101873M1	1	Decal-Ldr Controls Std	Adhésif	Aufkleber	Adhesivo	
30	6109325M91	1	Valve Assembly - Loader Rexroth	Ensemble Distributio	Steuerventilblock Kp	Distribuidor, Conj.	



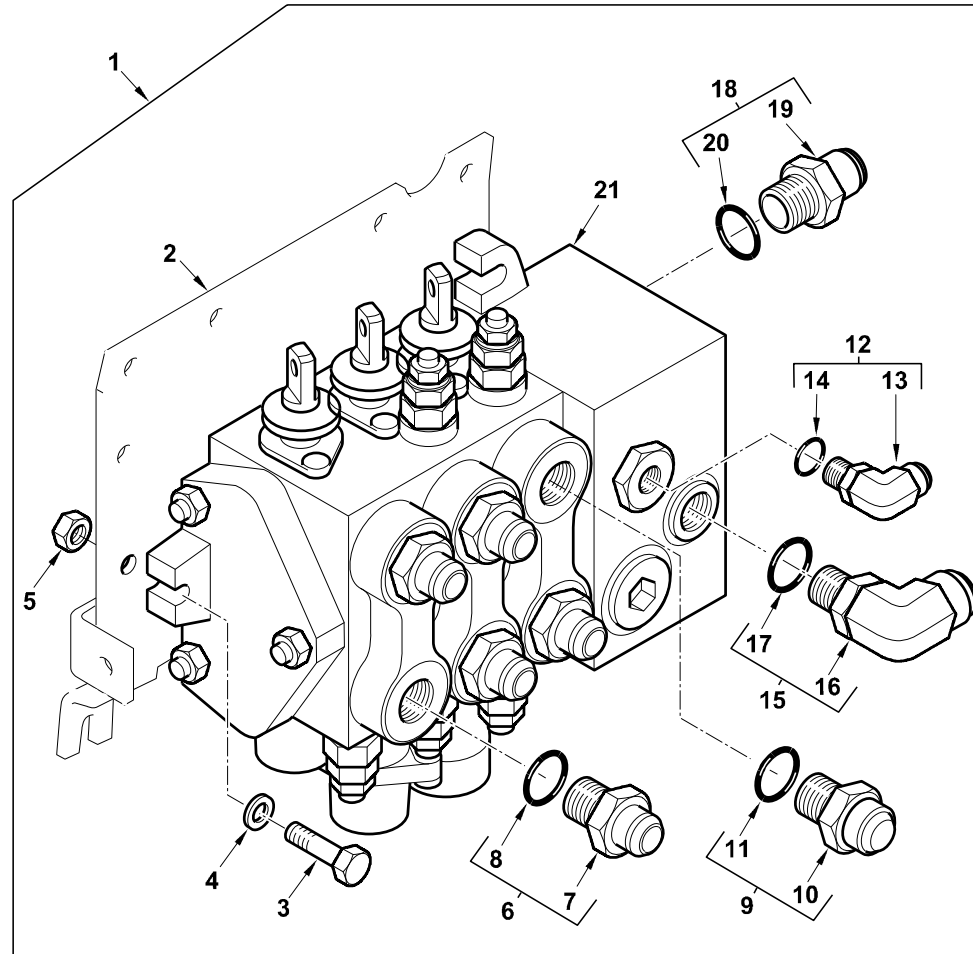




Item	Part No.	Qty.	English	French	German	Spanish	Remarks
31	3009492X1	2	Bolt - Hex. M10 X 25	Boulon M10 X 25	Schraube M10 X 25	Tornillo	
32	3009492X1	1	Bolt - Hex. M10 X 25	Boulon M10 X 25	Schraube M10 X 25	Tornillo	
33	385362X1	1	Washer, Hardened - M10	Rondelle - M10	Unterlegscheibe M10	Arandela	
34	6101939M91	1	Handle-T Assy	Poignée	Handgriff	Asa	
35	6101938M1	1	Spacer-Tube	Entretoise	Distanzstück	Traviesa	
36	1441736X1	1	Pin Spirol 5-26	Goupille D´Arrêt	Klappstecker	Pasador Elástico	
37	3516136M2	1	Spring	Siège De Ressort	Federsitz	Muelle	
38	3519365M1	1	Rod Locking	Tringle	Stange	Vástago	
39	6108293M92	1	Bracket Assy Loader Control	Patte Fixation	Halter	Cuchara, Conj.	
40	339666X1	2	Bolt M6-20 Z5f	Boulon M6 X 20	Maschschraube Metr M	Tornillo	
41	1441500X1	2	Nut M6 Z5 Nyloc	Ecrou	Flachmutter M6	Tuerca De Retención	
42	6101872M1	1	Decal - Loader Lever Lock	Adhésif	Aufkleber	Adhesivo	



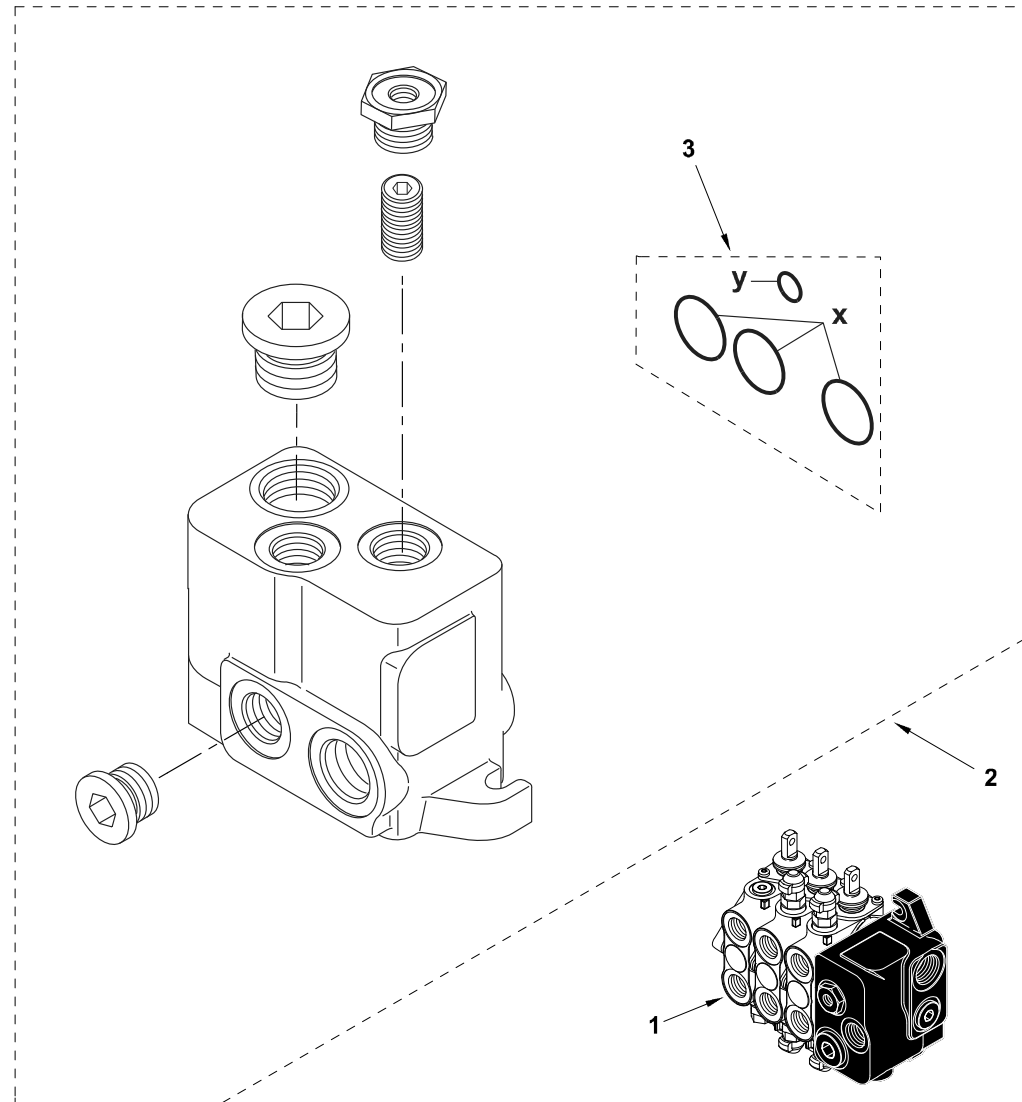
C-68025-03.1-A



Item	Part No.	Qty.	English	French	German	Spanish	Remarks
1	6109325M91	1	Valve Assembly - Loader Rexroth	Ensemble Distributio	Steuerventilblock Kp	Distribuidor, Conj.	
2	6109370M91	1	Plate - Rexroth Loader Valve W/Assy	Plaque	Platte	Placa, Conj.	
3	3009496X1	3	Bolt Hex - M10 X 45 (Coarse)	Boulon M10 X 45	Maschschraube - M10	Tornillo	
4	385362X1	3	Washer, Hardened - M10	Rondelle - M10	Unterlegscheibe M10	Arandela	
5	1440329X1	3	Nut, Hex. - Nyloc, M10	Ecrou Blocage	Flachmutter M10	Tuerca De Retención	
6	365715X91	5	Connector, Hydr.-Straight, 1 1/16 X 7/8	Borne	Doppelnippel	Conexión, Conj.	
7	#CONNECTOR	1	Connector	Connector	Connector	Connector	Ref. 6
8	835025M1	1	Ring O	Joint Torique	O Ring	Junta De Tipo O	
9	835057M91	1	Connector B1510m-12-12	Raccord	Schraubanschluss	Conexión, Conj.	
10	#CONNECTOR	1	Connector	Connector	Connector	Connector	Ref. 9
11	835025M1	1	Ring O	Joint Torique	O Ring	Junta De Tipo O	
12	357197X91	1	Elbow & O Ring	Coude	Kniestück, 90°	Codo, 90°	
13	#ELBOW	1	Elbow	Elbow	Elbow	Elbow	Ref. 12
14	831452M1	1	O Ring (Pack Of 10)	Joint Torique	O Ring	Junta De Tipo O	
15	358764X91	1	Elbow 90 Deg	Coude 90°	Kniestück, 90°	Codo, 90°	
16	#ELBOW	1	Elbow	Elbow	Elbow	Elbow	Ref. 15
17	835025M1	1	Ring O	Joint Torique	O Ring	Junta De Tipo O	
18	835014M91	1	Connector - 1 5/16" To 1 5/16"	Borne	Doppelnippel	Unión	
19	#CONNECTOR	1	Connector	Connector	Connector	Connector	Ref. 18
20	835026M1	1	O-Ring	Joint Torique	O-Ring	Junta De Tipo O	
21	6109210M91	1	Valve - Loader 3 Spool Mechanical	Ensemble Distributio	Steuerventilblock Kp	Distribuidor, Conj.	



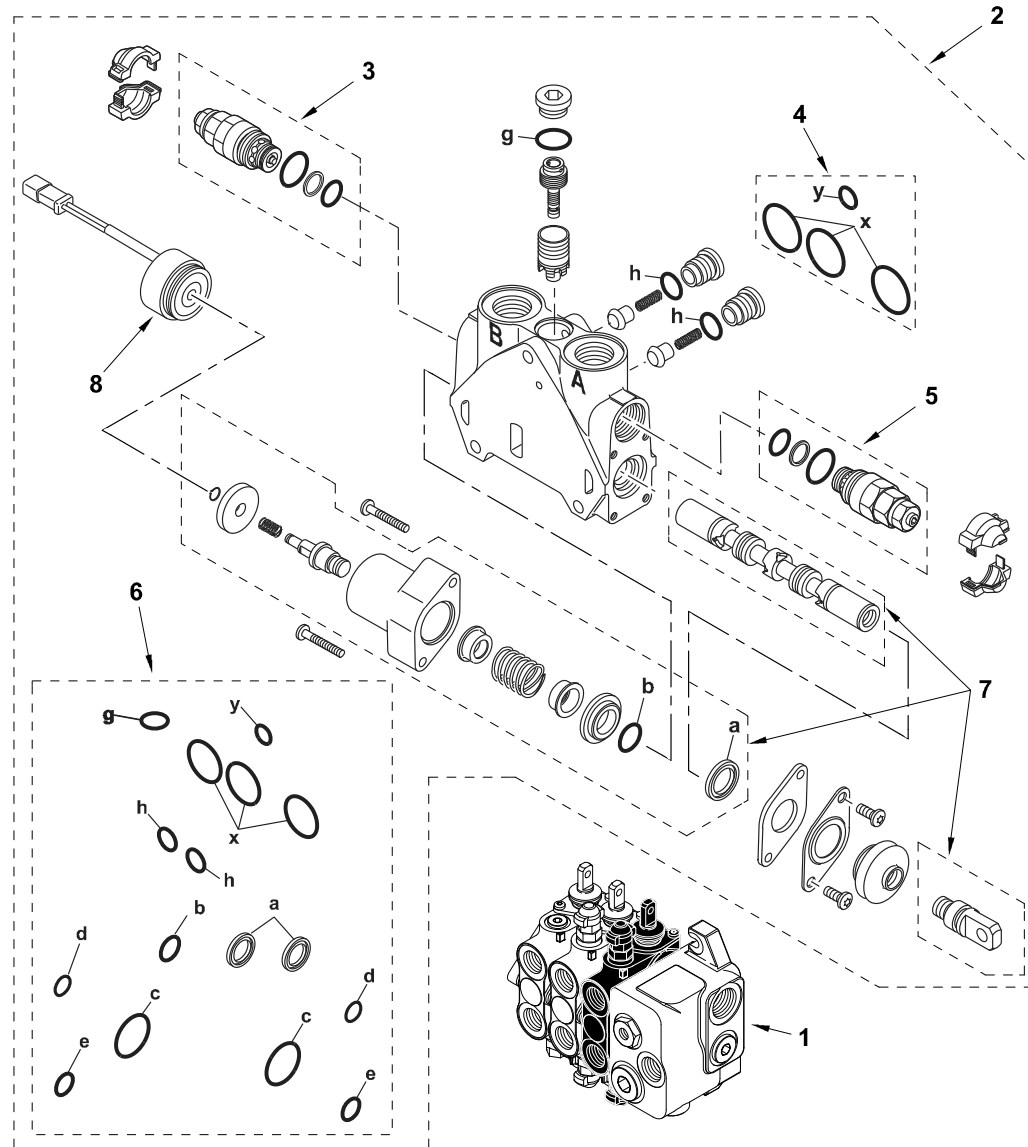
C-68025-04.1-A



<b>Item</b>	<b>Part No.</b>	<b>Qty.</b>	<b>English</b>	<b>French</b>	<b>German</b>	<b>Spanish</b>	<b>Remarks</b>
1	6109210M91	1	Valve - Loader 3 Spool Mechanical	Ensemble Distributio	Steverventilblock Kp	Distribuidor, Conj.	
2	6194535M91	1	Element - Inlet	Element - Soupape	Element - Ventil	Elemento - Válvula	Inlet
3	6193771M91	1	Seal Interface Kit	Pochette De Joints	Dichsatz	Juego De Juntas	



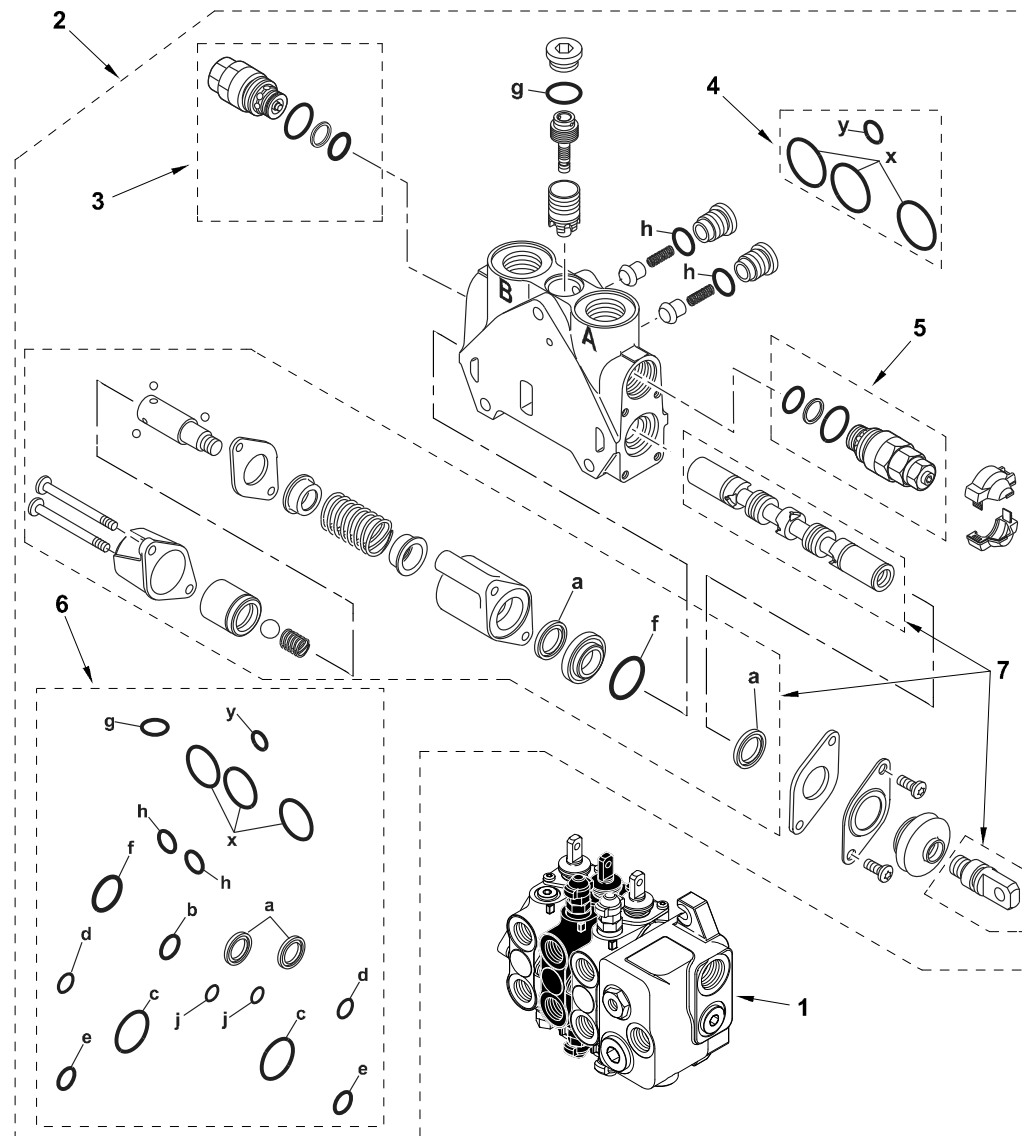
C-68025-05.1-A



Item	Part No.	Qty.	English	French	German	Spanish	Remarks
1	6109210M91	1	Valve - Loader 3 Spool Mechanical	Ensemble Distributio	Steverventilblock Kp	Distribuidor, Conj.	
2	6194531M91	1	Element - Bucket	Element - Soupape	Element - Ventil	Elemento - Válvula	
3	6193804M91	1	Pressure Relief Valve H (310 Bar)	Valve Decharge	Druckbegrventil	Válvula De Seguridad	
4	6193771M91	1	Seal Interface Kit	Pochette De Joints	Dichsatz	Juego De Juntas	
5	6193801M91	1	Pressure Relief Valve H (345 Bar)	Valve Decharge	Druckbegrventil	Válvula De Seguridad	
6	6193781M91	1	Seal Kit Complete	Jeu Etancheite	Dichtringsatz	Juege De Juntas	
7	6194835M91	1	Spool Kit (Slice - Loader Bucket)	Jeu Tiroir	Schieber Satz	Juego Carrete	
8	6195101M91	1	Solenoid Kit	Solenoide	Magnetspule	Solenoide, Conj.	



C-68025-06.1-A

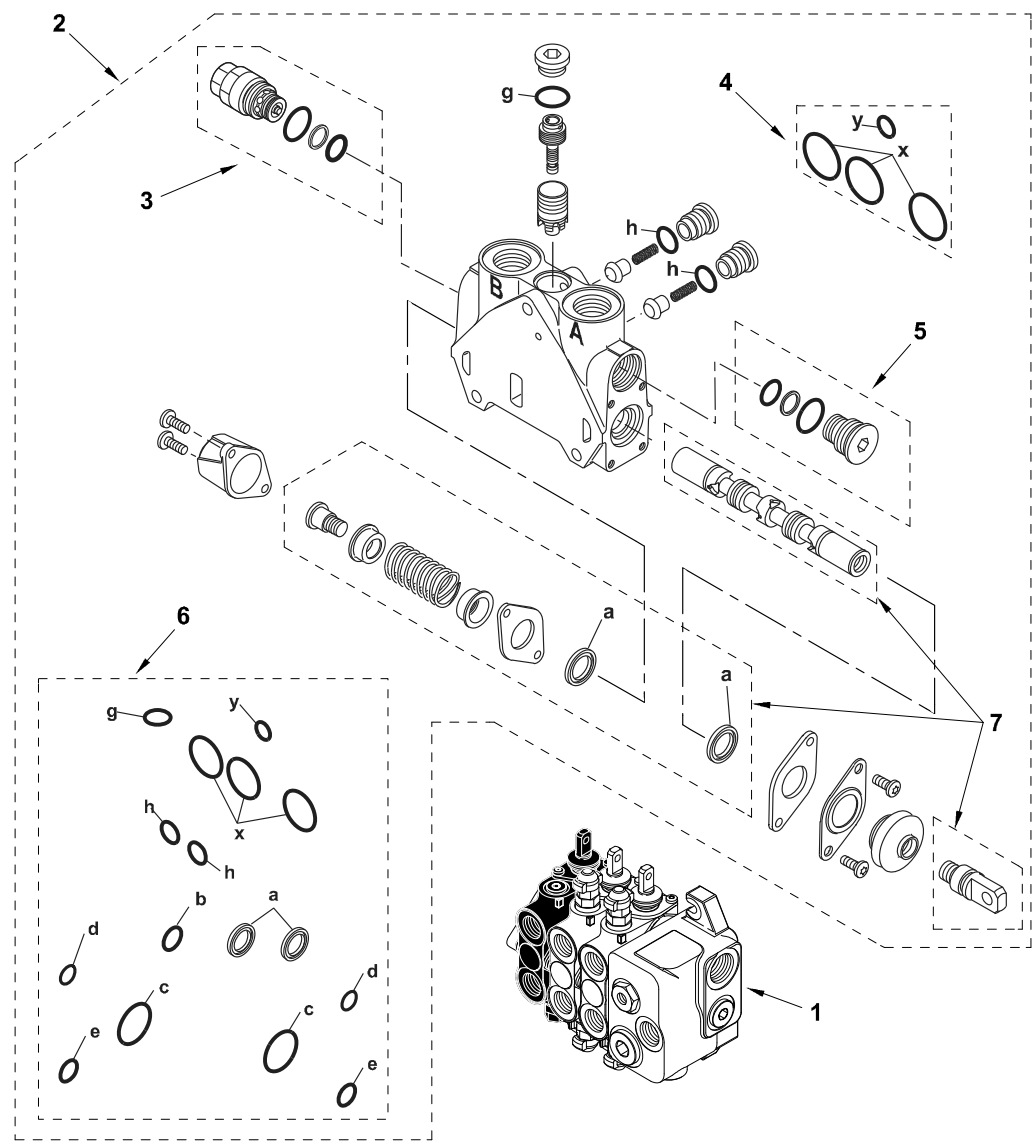




Item	Part No.	Qty.	English	French	German	Spanish	Remarks
1	6109210M91	1	Valve - Loader 3 Spool Mechanical	Ensemble Distributio	Steverventilblock Kp	Distribuidor, Conj.	Continued
2	6194532M91	1	Element - Dipper	Element - Soupape	Element - Ventil	Elemento - Válvula	
3	6193782M91	1	Anti-Cavitation Valve E Port B	Ensemble De Soupape	Ventil Kpl.	Válvula, Conj.	
4	6193771M91	1	Seal Interface Kit	Pochette De Joints	Dichsatz	Juego De Juntas	
5	6193800M91	1	Pressure Relief Valve H 240 Bar	Valve Decharge	Druckbegrventil	Válvula De Seguridad	
6	6194518M91	1	Seal Kit	Jeu Etancheite	Dichtringsatz	Juego De Juntas	
7	6194836M91	1	Spool Kit (Slice - Loader Arm)	Jeu Tiroir	Schieber Satz	Juego Carrete	



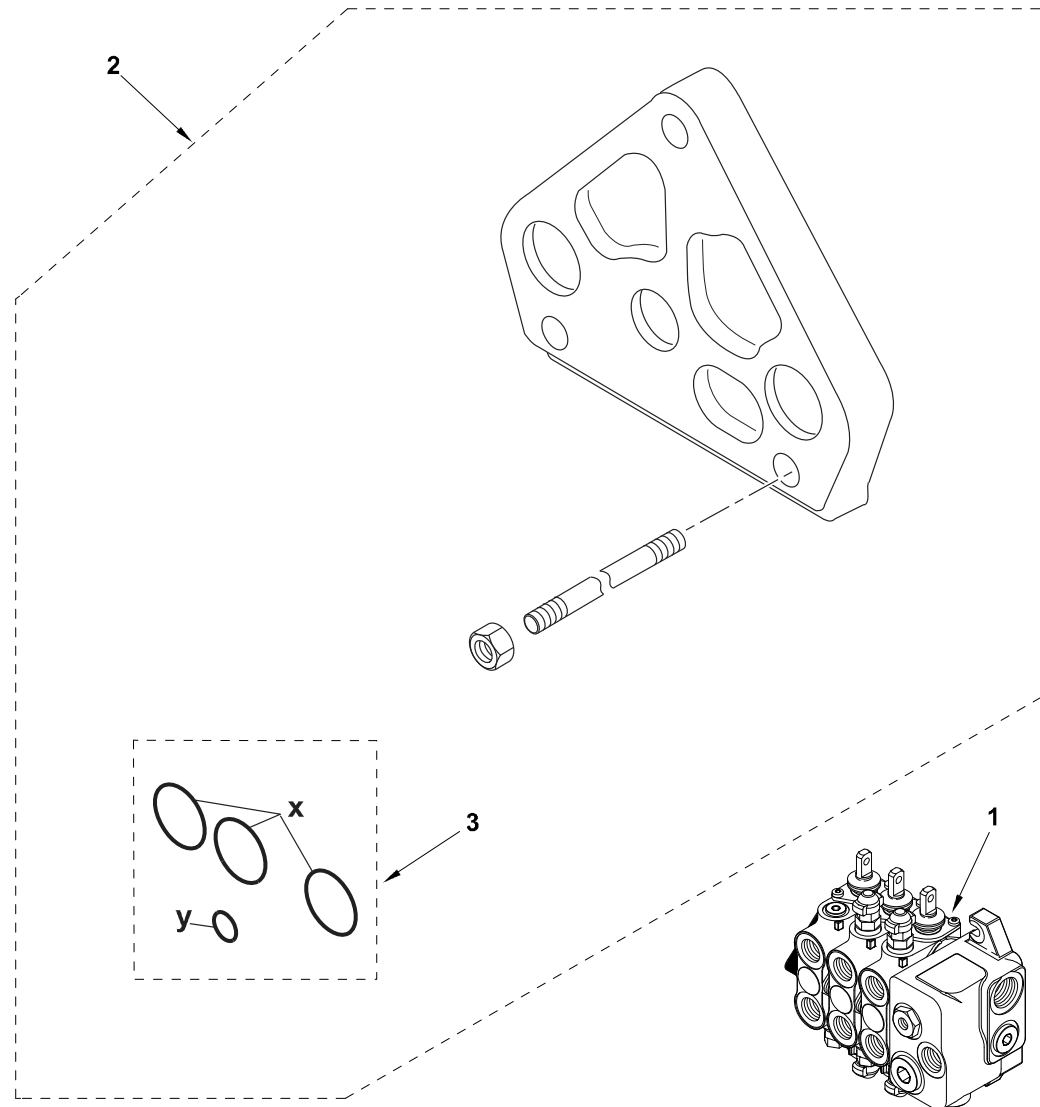
C-68025-07.1-A



Item	Part No.	Qty.	English	French	German	Spanish	Remarks
1	6109210M91	1	Valve - Loader 3 Spool Mechanical	Ensemble Distributio	Steverventilblock Kp	Distribuidor, Conj.	
2	6194533M91	1	Element - 4 X 1	Element - Soupape	Element - Ventil	Elemento - Válvula	
3	6193782M91	1	Anti-Cavitation Valve E Port B	Ensemble De Soupape	Ventil Kpl.	Válvula, Conj.	
4	6193771M91	1	Seal Interface Kit	Pochette De Joints	Dichsatz	Juego De Juntas	
5	6193785M91	1	Plug Q - Port B	Bouchon	Stopfen	Tapón, Conj.	
6	6193791M91	1	Seal Kit - L/S Valve	Jeu Étanchéité	Dichtringsatz	Juego De Juntas	
7	6194828M91	1	Spool Kit (Slice - Bucket 4 In 1 Loader)	Jeu Tiroir	Schieber Satz	Juego Carrete	



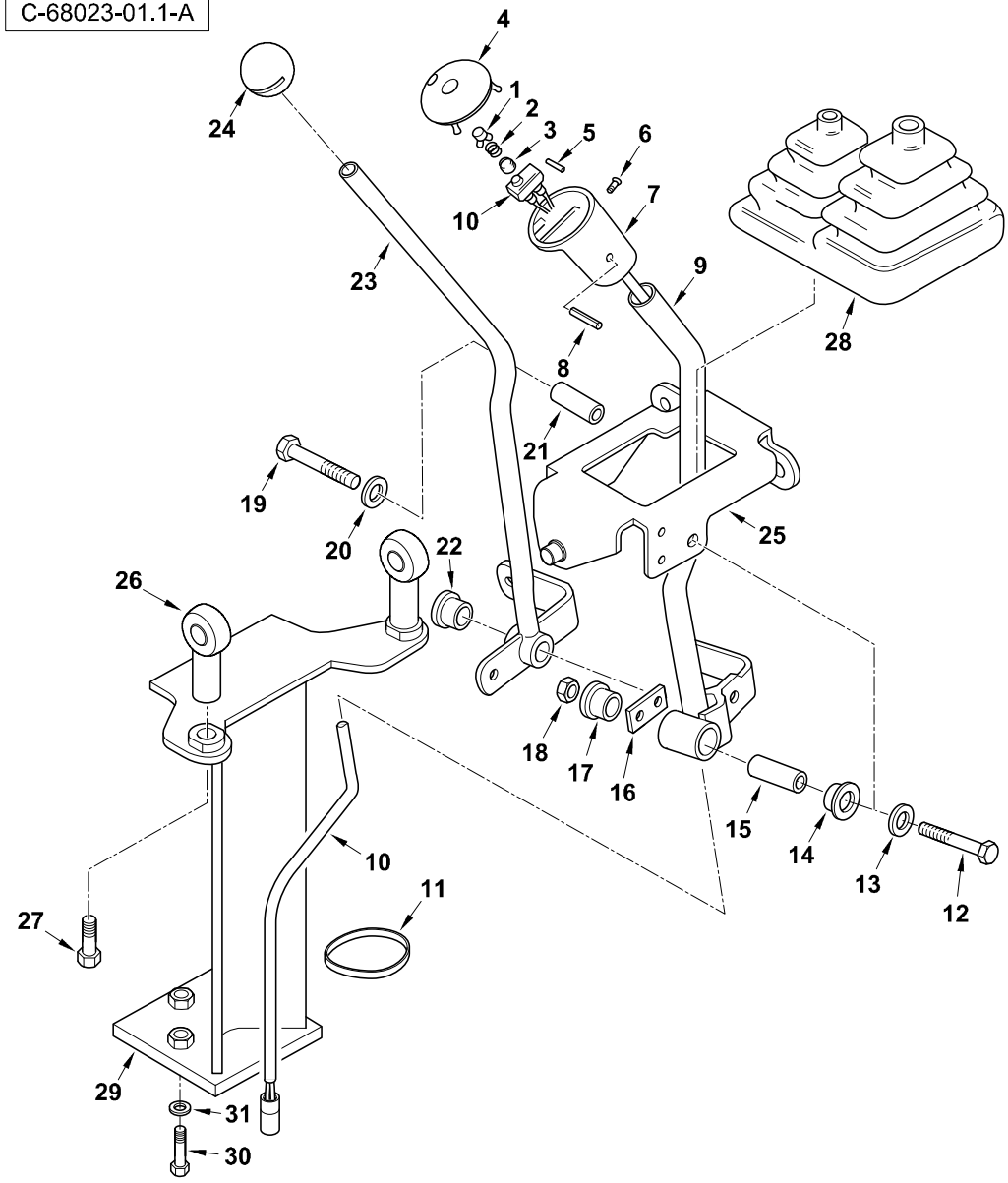
C-68025-08.1-A



<b>Item</b>	<b>Part No.</b>	<b>Qty.</b>	<b>English</b>	<b>French</b>	<b>German</b>	<b>Spanish</b>	<b>Remarks</b>
1	6109210M91	1	Valve - Loader 3 Spool Mechanical	Ensemble Distributio	Steverventilblock Kp	Distribuidor, Conj.	
2	6194517M91	1	Element - Outlet	Element - Soupape	Element - Ventil	Elemento - Válvula	
3	6193771M91	1	Seal Interface Kit	Pochette De Joints	Dichsatz	Juego De Juntas	



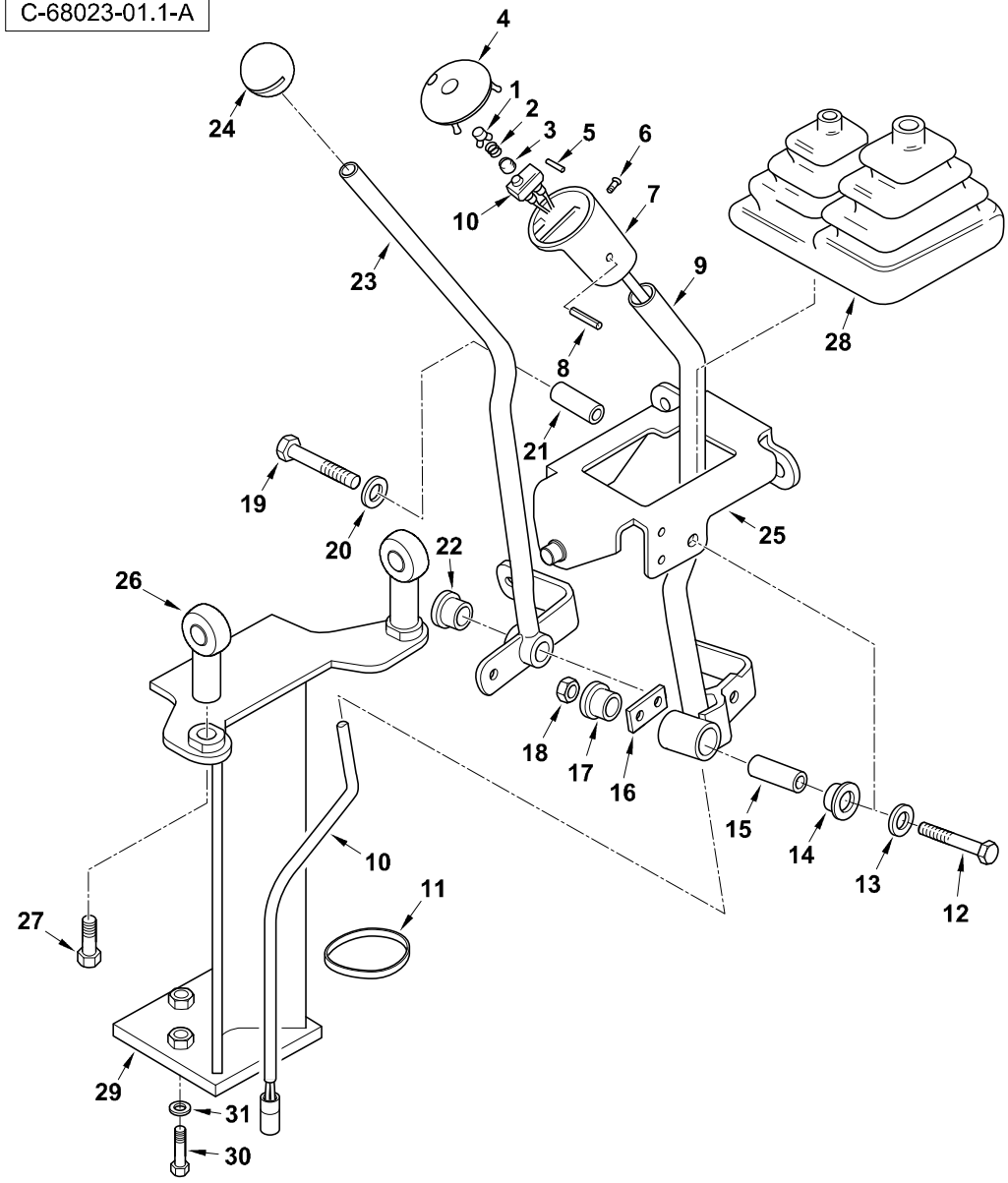
C-68023-01.1-A



Item	Part No.	Qty.	English	French	German	Spanish	Remarks
1	3521894M4	2	Button Ldr Cntls	Bouton	Knopf	Botón	
2	3520328M3	2	Spring	Siege De Ressort	Feder	Muelle	
3	3522894M1	2	Boot Control Knob	Coffre	Schutzkappe	Fuelle	
4	3522285M5	1	Knob Top Ldr Cntl	Boule	Knauf	Bola	
5	3522507M3	4	Pin Parallel	Goupille D´Arrêt	Sicherungsstift	Pasador	
6	3516886M1	2	Screw C/Sk 1/4 Lng	Vis	Schraube	Tornillo	
7	3522621M5	1	Base Control Knob	Poignée De Levier	Griff	Empuñ. Palanca	
8	3019531X1	1	Pin - Roll	Goupille Elastique	Spannhulse	Pasador Elástico	
9	6109383M91	1	Lever - Loader Control W/Assy	Levier	Hebel	Palanca, Conj.	
10	3516043M94	1	Switch And Harness - Ldr. Cont. Lever	Interrupteur	Beschirrung	Haz	
11	1664405M1	1	Tie Mm T50s	Attache Cable	Kabelbinder	Enlace De Cable	
12	339159X1	1	Bolt M8-65	Boulon	Bolzen	Tornillo	
13	6108769M1	1	Washer-M8 Nord-Lock	Rondelle De Blocage	Federring M8	Arandela De Freno	
14	6106560M1	1	Bush	Douille	Buechse	Anillo	
15	6106561M3	1	Spacer-Loader Controls	Entretoise	Abstandstueck	Traviesa	
16	6106562M1	1	Plate-L/Cont. Tie Bar	Barre	Stab	Placa	
17	6106560M1	1	Bush	Douille	Buechse	Anillo	
18	394367X1	1	Nut, Hex. - Nyloc, M8	Ecrou Blocage M8	Flachmutter - M8	Tuerca De Retención	
19	339291X1	1	Bolt M8-55 Z5s	Goupille	Bolzen M8 X 55	Tornillo	
20	6108769M1	1	Washer-M8 Nord-Lock	Rondelle De Blocage	Federring M8	Arandela De Freno	
21	6106561M3	1	Spacer-Loader Controls	Entretoise	Abstandstueck	Traviesa	
22	6106560M1	2	Bush	Douille	Buechse	Anillo	
23	6109386M91	1	Lever - Clam Control W/Assy	Levier	Hebel	Palanca, Conj.	
24	3509755M2	1	Knob Yellow	Boule	Knauf	Bola	
25	6109381M91	1	Cradle - Rexroth Valve W/Assy	Berceau	Fahrschemel	Soporte	
26	6102844M1	2	Rodend-M12 Spherical	Support De Fixation	Kugelkopf, Plastik	Soporte De Fijación	
27	3009505X1	2	Hex. Bolt, M12 X 25 - Coarse	Boulon	Bolzen M12 X 25	Perno	
28	6109928M1	1	Gaiter (Black) - Loader Lever	Souf•et	Manschette	Fuelle	
29	6109802M91	1	Loader Control Column Assy	Ensemble De Support	Haltevorrichtung	Apoyadero, Conj.	
30	339009X1	3	Bolt - M8 X 35	Boulon M8 X 35	Maschschraube M8	Tornillo	



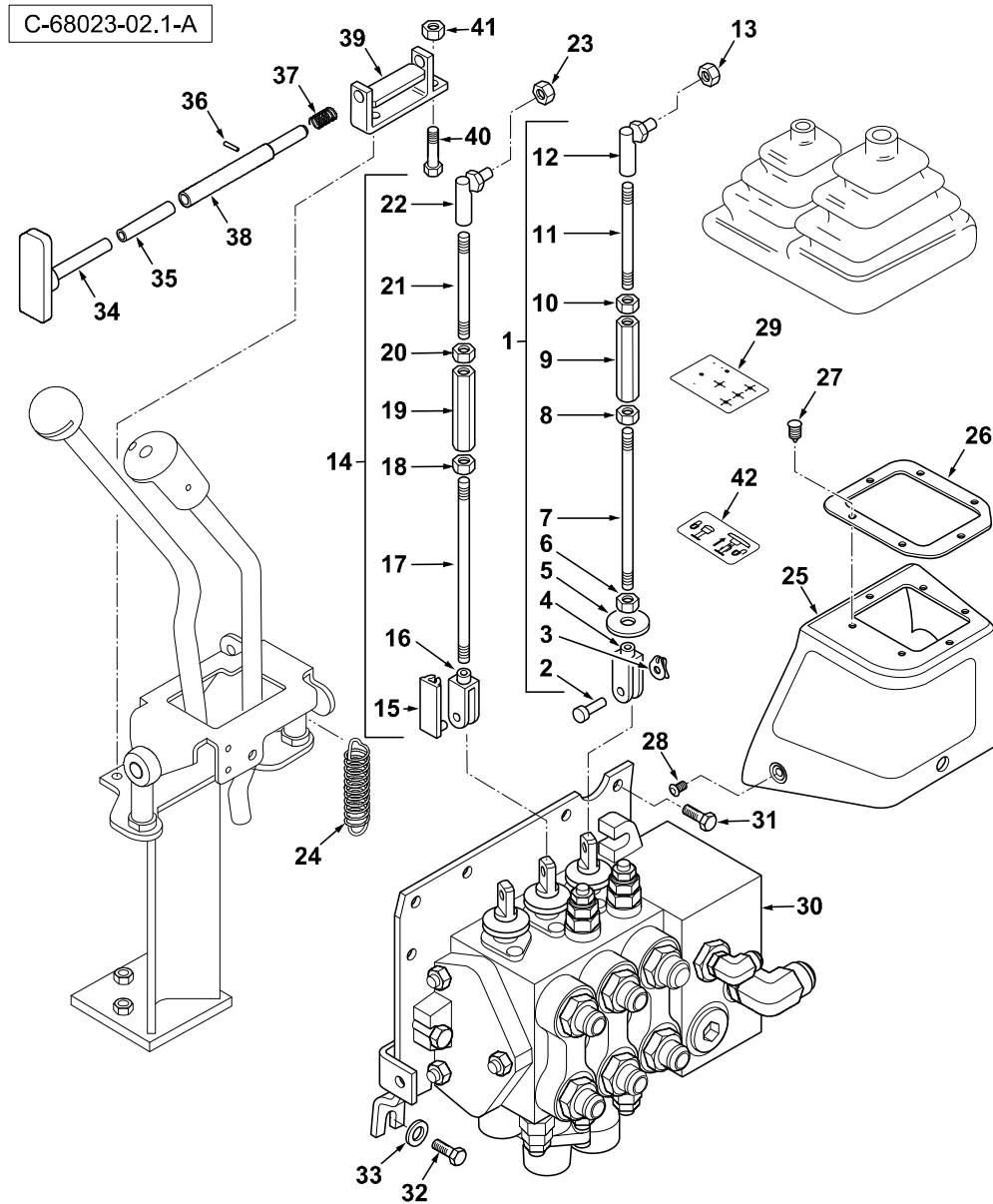
C-68023-01.1-A





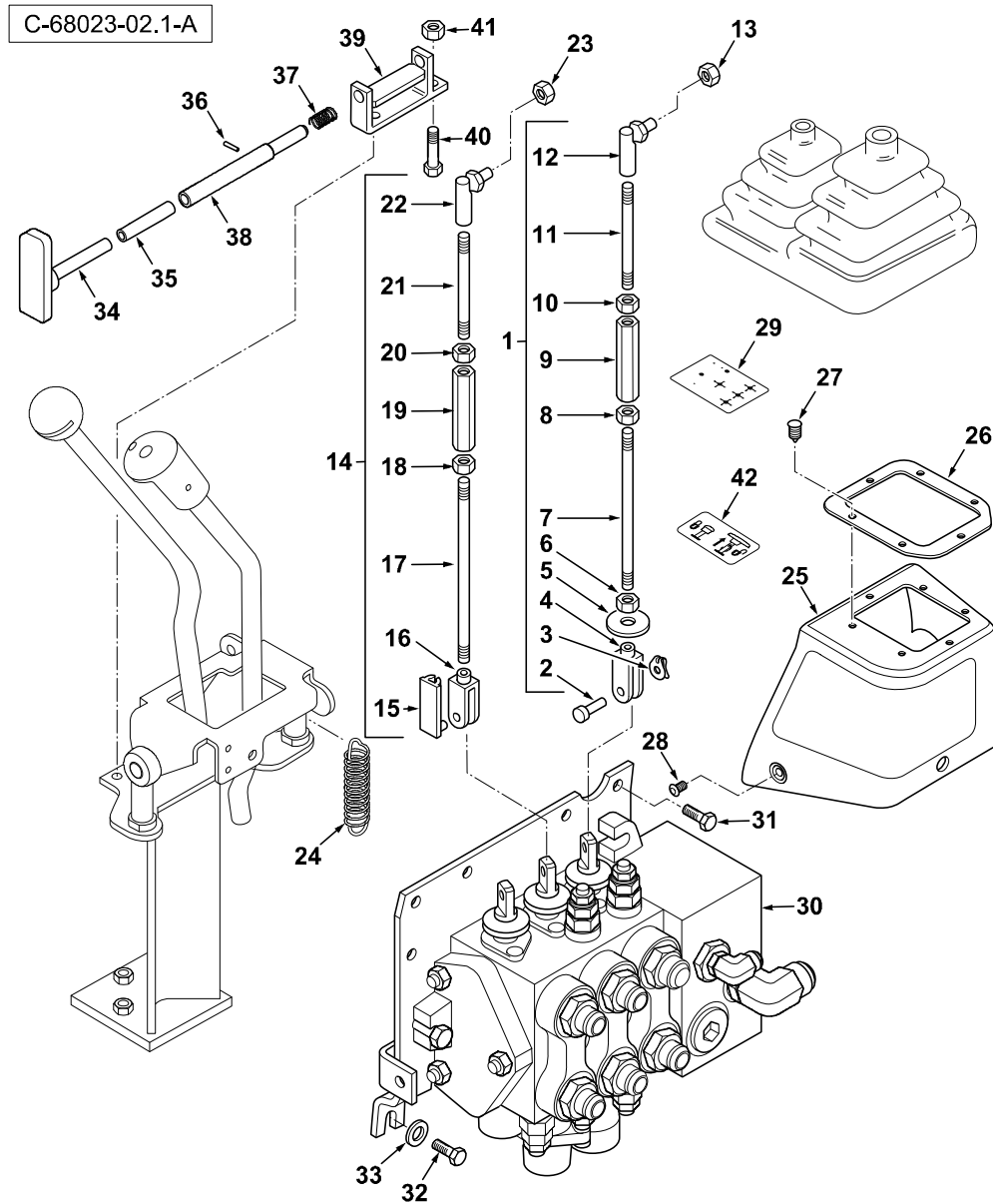
<b>Item</b>	<b>Part No.</b>	<b>Qty.</b>	<b>English</b>	<b>French</b>	<b>German</b>	<b>Spanish</b>	<b>Remarks</b>
31	339374X1	3	Washer M8 -21-2 Z	Rondelle Frein - M8	Federring - M8	Arandela De Freno	





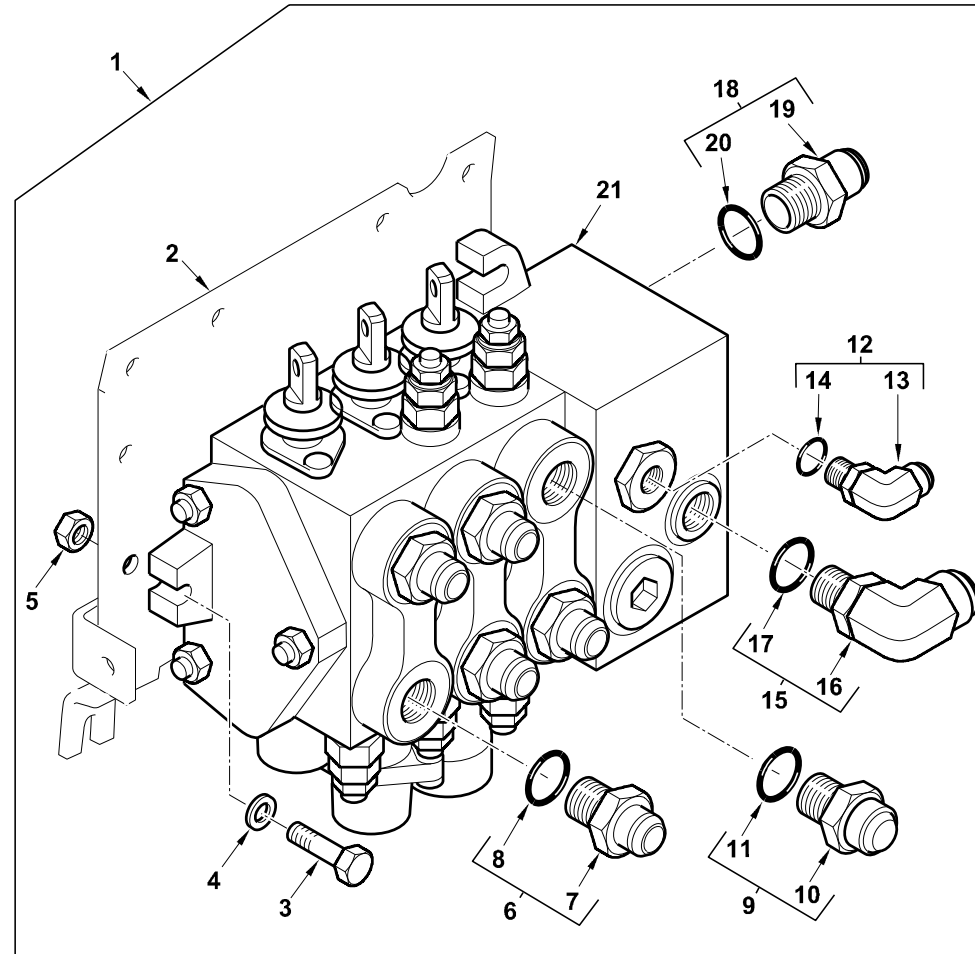
Item	Part No.	Qty.	English	French	German	Spanish	Remarks
1	6102738M93	1	Rod Assy. - Loader Control	Ensemble Tringlerie	Gestänge	Tirantes, Conj.	
2	6102816M1	1	Pin-Clevis	Axe De Chape	Gabelstift	Eje De Brida	
3	3516322M1	1	Clip, Spring - No.8	Clip	Klips	Clip	
4	3519590M1	1	Clevis LH Thread	Chape	Gabelverbindung	Brida	
5	3518878M3	1	Washer	Rondelle	Scheibe	Arandela	
6	3519650M1	1	Nut, Hex - M8, L/H Thread	Ecrou	Mutter	Tuerca	
7	#ROD	1	Rod	Rod	Rod	Rod	
8	339169X1	1	Nut, Hex. - M8, Coarse	Ecrou Métrique	Mutter Metrisch	Tuerca	
9	6102733M1	1	Turnbuckle M8	Tendeur De Tringle	Spannschloss	Torniquete	
10	3519650M1	1	Nut, Hex - M8, L/H Thread	Ecrou	Mutter	Tuerca	
11	#ROD	1	Rod	Rod	Rod	Rod	
12	3519589M1	1	Ball-Joint	Rotule	Kugelgelenk	Rotula	
13	394367X1	1	Nut, Hex. - Nyloc, M8	Ecrou Blocage M8	Flachmutter - M8	Tuerca De Retención	
14	6102737M92	2	Rod Assy. - Loader Control	Tringle	Stange	Tirantes, Conj.	
15	3520666M1	1	Pin W/ Spring Clip	Axe De Chape	Gabelstift	Eje De Brida	
16	3519590M1	1	Clevis LH Thread	Chape	Gabelverbindung	Brida	
17	#ROD	1	Rod	Rod	Rod	Rod	Ref. 14
18	339169X1	1	Nut, Hex. - M8, Coarse	Ecrou Métrique	Mutter Metrisch	Tuerca	
19	6102733M1	1	Turnbuckle M8	Tendeur De Tringle	Spannschloss	Torniquete	
20	3519650M1	1	Nut, Hex - M8, L/H Thread	Ecrou	Mutter	Tuerca	
21	#ROD	1	Rod	Rod	Rod	Rod	Ref. 14
22	3519589M1	1	Ball-Joint	Rotule	Kugelgelenk	Rotula	
23	394367X1	2	Nut, Hex. - Nyloc, M8	Ecrou Blocage M8	Flachmutter - M8	Tuerca De Retención	
24	6109761M1	1	Spring-Ldr Control	Siège De Ressort	Federsitz	Muelle	
25	T101141	1	Loader Tower Moulding (Black)	Moulure - Tourelle	Pressling - Turm	Bordon - Torre	
26	3516856M3	1	Plate, Gaiter - Loader Controls	Plaque	Platte	Placa	
27	3521303M3	6	Fastener, Plastic - Gear Lever Gaiter	Agrafe	Halteklammer	Enganche	
28	3512552M1	3	Screw Pan Hd.M5 X 12	Vis	Schraube	Tornillo	
29	6101874M1	1	Decal-Ldr Controls 7 In 1	Adhésif	Aufkleber	Adhesivo	
30	6109325M91	1	Valve Assembly - Loader Rexroth	Ensemble Distributio	Steuerventilblock Kp	Distribuidor, Conj.	





Item	Part No.	Qty.	English	French	German	Spanish	Remarks
31	3009492X1	2	Bolt - Hex. M10 X 25	Boulon M10 X 25	Schraube M10 X 25	Tornillo	
32	3009492X1	1	Bolt - Hex. M10 X 25	Boulon M10 X 25	Schraube M10 X 25	Tornillo	
33	385362X1	1	Washer, Hardened - M10	Rondelle - M10	Unterlegscheibe M10	Arandela	
34	6101939M91	1	Handle-T Assy	Poignée	Handgriff	Asa	
35	6101938M1	1	Spacer-Tube	Entretoise	Distanzstück	Traviesa	
36	1441736X1	1	Pin Spirol 5-26	Goupille D´Arrêt	Klappstecker	Pasador Elástico	
37	3516136M2	1	Spring	Siège De Ressort	Federsitz	Muelle	
38	3519365M1	1	Rod Locking	Tringle	Stange	Vástago	
39	6108293M92	1	Bracket Assy Loader Control	Patte Fixation	Halter	Cuchara, Conj.	
40	339666X1	2	Bolt M6-20 Z5f	Boulon M6 X 20	Maschschraube Metr M	Tornillo	
41	1441500X1	2	Nut M6 Z5 Nyloc	Ecrou	Flachmutter M6	Tuerca De Retención	
42	6101872M1	1	Decal - Loader Lever Lock	Adhésif	Aufkleber	Adhesivo	

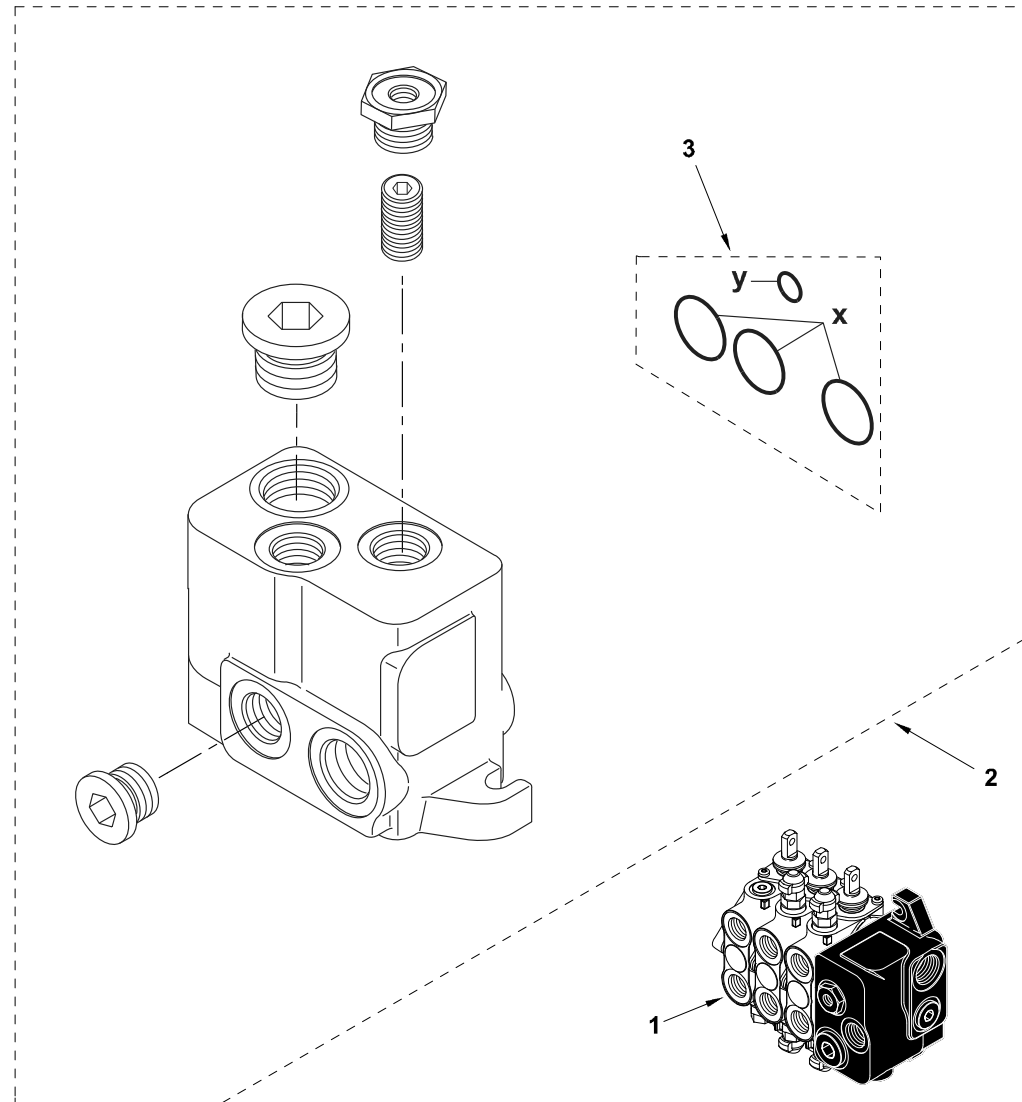
C-68023-03.1-A



Item	Part No.	Qty.	English	French	German	Spanish	Remarks
1	6109325M91	1	Valve Assembly - Loader Rexroth	Ensemble Distributio	Steuerventilblock Kp	Distribuidor, Conj.	
2	6109370M91	1	Plate - Rexroth Loader Valve W/Assy	Plaque	Platte	Placa, Conj.	
3	3009496X1	3	Bolt Hex - M10 X 45 (Coarse)	Boulon M10 X 45	Maschschraube - M10	Tornillo	
4	385362X1	3	Washer, Hardened - M10	Rondelle - M10	Unterlegscheibe M10	Arandela	
5	1440329X1	3	Nut, Hex. - Nyloc, M10	Ecrou Blocage	Flachmutter M10	Tuerca De Retención	
6	365715X91	5	Connector, Hydr.-Straight, 1 1/16 X 7/8	Borne	Doppelnippel	Conexión, Conj.	
7	#CONNECTOR	1	Connector	Connector	Connector	Connector	Ref. 6
8	835025M1	1	Ring O	Joint Torique	O Ring	Junta De Tipo O	
9	835057M91	1	Connector B1510m-12-12	Raccord	Schraubanschluss	Conexión, Conj.	
10	#CONNECTOR	1	Connector	Connector	Connector	Connector	Ref. 9
11	835025M1	1	Ring O	Joint Torique	O Ring	Junta De Tipo O	
12	357197X91	1	Elbow & O Ring	Coude	Kniestück, 90°	Codo, 90°	
13	#ELBOW	1	Elbow	Elbow	Elbow	Elbow	Ref. 12
14	831452M1	1	O Ring (Pack Of 10)	Joint Torique	O Ring	Junta De Tipo O	
15	358764X91	1	Elbow 90 Deg	Coude 90°	Kniestück, 90°	Codo, 90°	
16	#ELBOW	1	Elbow	Elbow	Elbow	Elbow	Ref. 15
17	835025M1	1	Ring O	Joint Torique	O Ring	Junta De Tipo O	
18	835014M91	1	Connector - 1 5/16" To 1 5/16"	Borne	Doppelnippel	Unión	
19	#CONNECTOR	1	Connector	Connector	Connector	Connector	Ref. 18
20	835026M1	1	O-Ring	Joint Torique	O-Ring	Junta De Tipo O	
21	6109210M91	1	Valve - Loader 3 Spool Mechanical	Ensemble Distributio	Steuerventilblock Kp	Distribuidor, Conj.	



C-68023-04.1-A

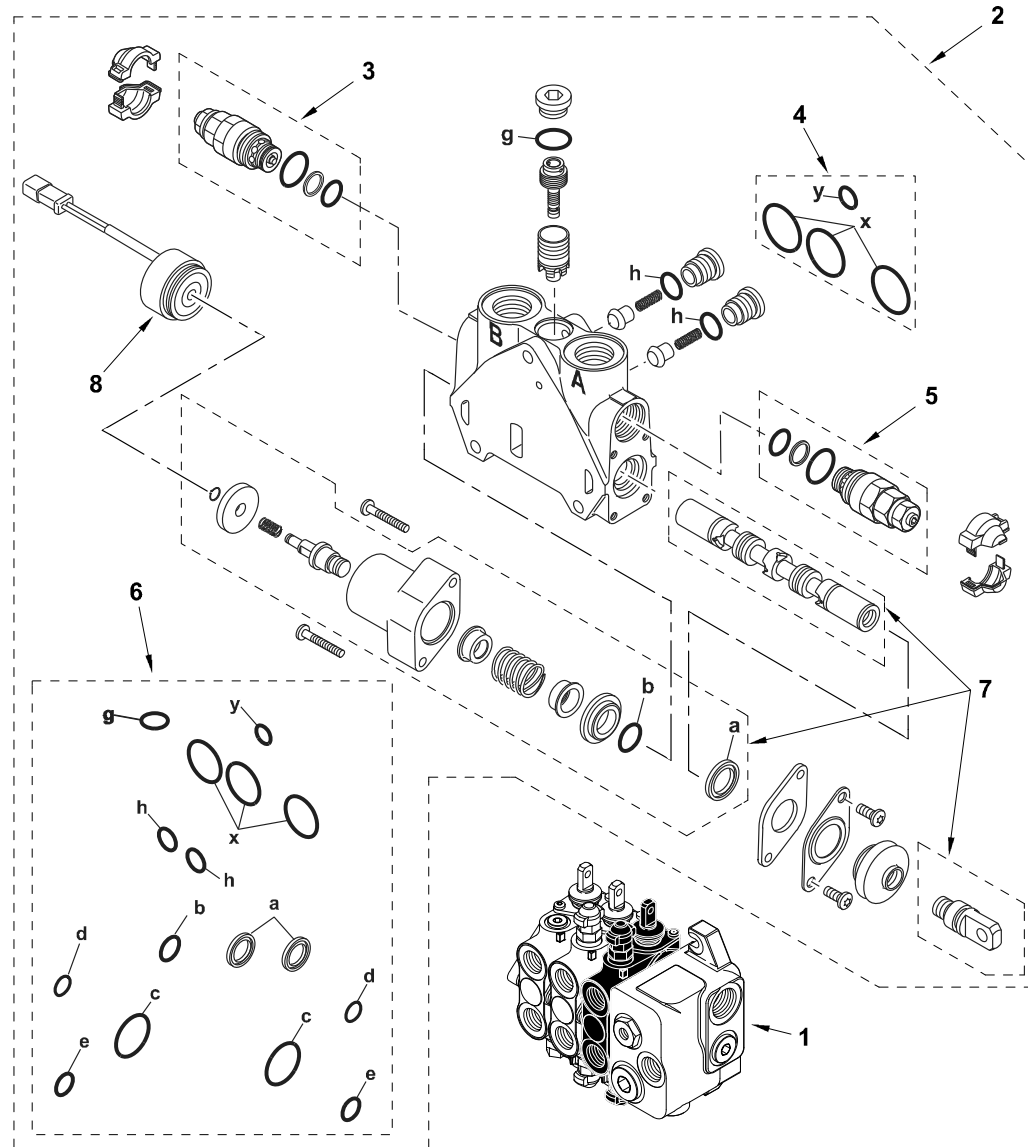




<b>Item</b>	<b>Part No.</b>	<b>Qty.</b>	<b>English</b>	<b>French</b>	<b>German</b>	<b>Spanish</b>	<b>Remarks</b>
1	6109210M91	1	Valve - Loader 3 Spool Mechanical	Ensemble Distributio	Steverventilblock Kp	Distribuidor, Conj.	
2	6194535M91	1	Element - Inlet	Element - Soupape	Element - Ventil	Elemento - Válvula	Inlet
3	6193771M91	1	Seal Interface Kit	Pochette De Joints	Dichsatz	Juego De Juntas	



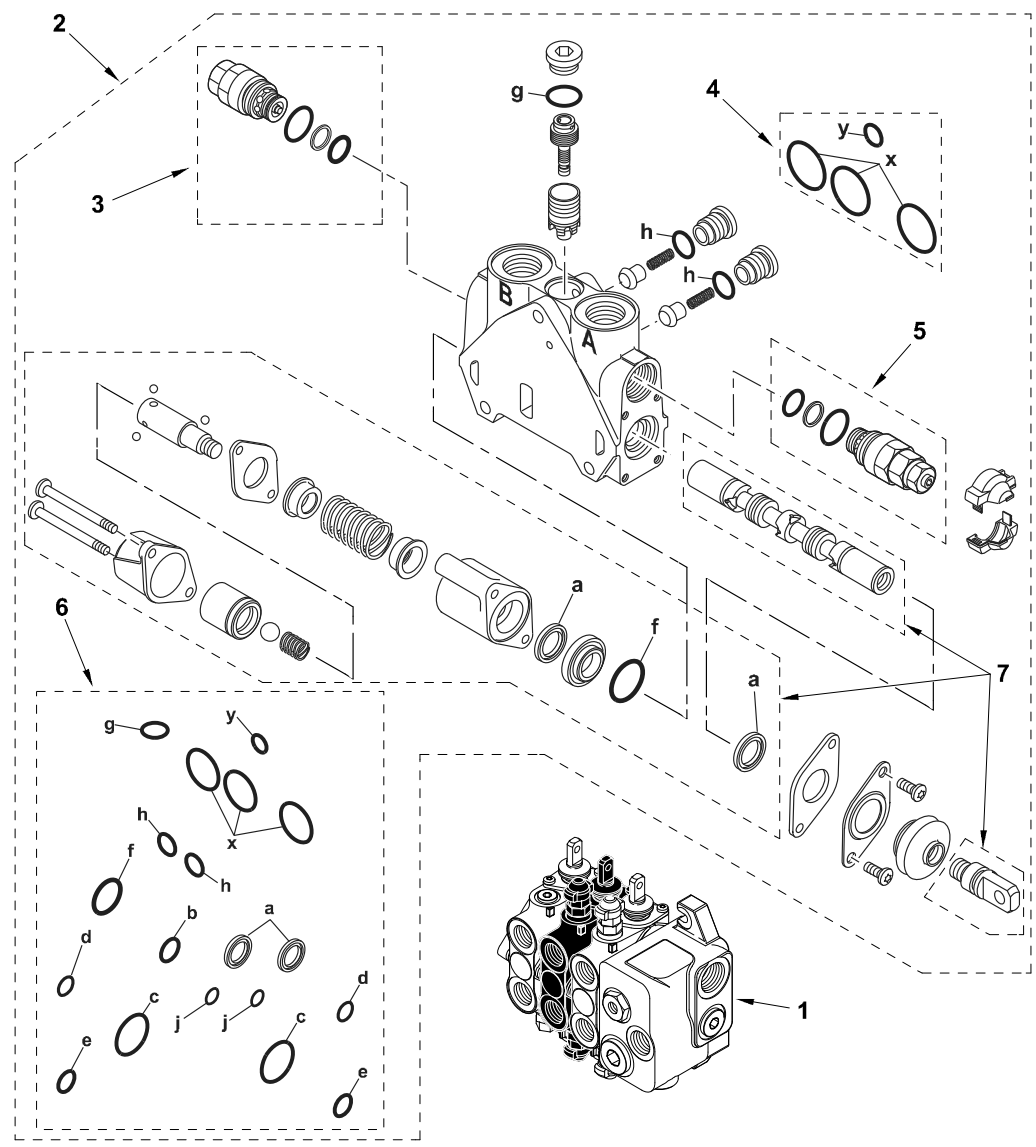
C-68023-05.1-A



Item	Part No.	Qty.	English	French	German	Spanish	Remarks
1	6109210M91	1	Valve - Loader 3 Spool Mechanical	Ensemble Distributio	Steverventilblock Kp	Distribuidor, Conj.	
2	6194531M91	1	Element - Bucket	Element - Soupape	Element - Ventil	Elemento - Válvula	
3	6193804M91	1	Pressure Relief Valve H (310 Bar)	Valve Decharge	Druckbegrventil	Válvula De Seguridad	
4	6193771M91	1	Seal Interface Kit	Pochette De Joints	Dichsatz	Juego De Juntas	
5	6193801M91	1	Pressure Relief Valve H (345 Bar)	Valve Decharge	Druckbegrventil	Válvula De Seguridad	
6	6193781M91	1	Seal Kit Complete	Jeu Etancheite	Dichtringsatz	Juege De Juntas	
7	6194835M91	1	Spool Kit (Slice - Loader Bucket)	Jeu Tiroir	Schieber Satz	Juego Carrete	
8	6195101M91	1	Solenoid Kit	Solenoide	Magnetspule	Solenoide, Conj.	



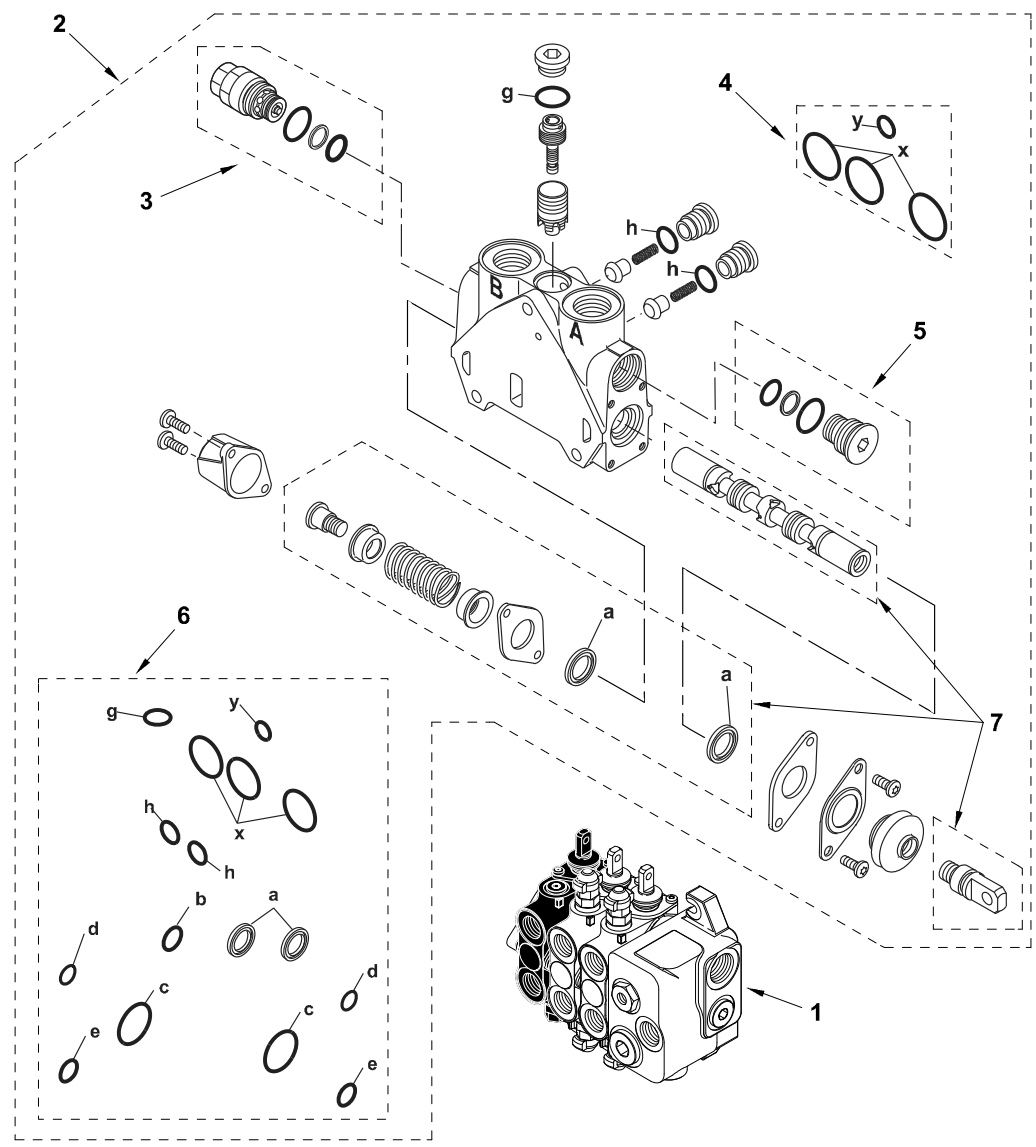
C-68023-06.1-A



Item	Part No.	Qty.	English	French	German	Spanish	Remarks
1	6109210M91	1	Valve - Loader 3 Spool Mechanical	Ensemble Distributio	Steverventilblock Kp	Distribuidor, Conj.	Continued
2	6194532M91	1	Element - Dipper	Element - Soupape	Element - Ventil	Elemento - Válvula	
3	6193782M91	1	Anti-Cavitation Valve E Port B	Ensemble De Soupape	Ventil Kpl.	Válvula, Conj.	
4	6193771M91	1	Seal Interface Kit	Pochette De Joints	Dichsatz	Juego De Juntas	
5	6193800M91	1	Pressure Relief Valve H 240 Bar	Valve Decharge	Druckbegrventil	Válvula De Seguridad	
6	6194518M91	1	Seal Kit	Jeu Etancheite	Dichtringsatz	Juego De Juntas	
7	6194836M91	1	Spool Kit (Slice - Loader Arm)	Jeu Tiroir	Schieber Satz	Juego Carrete	



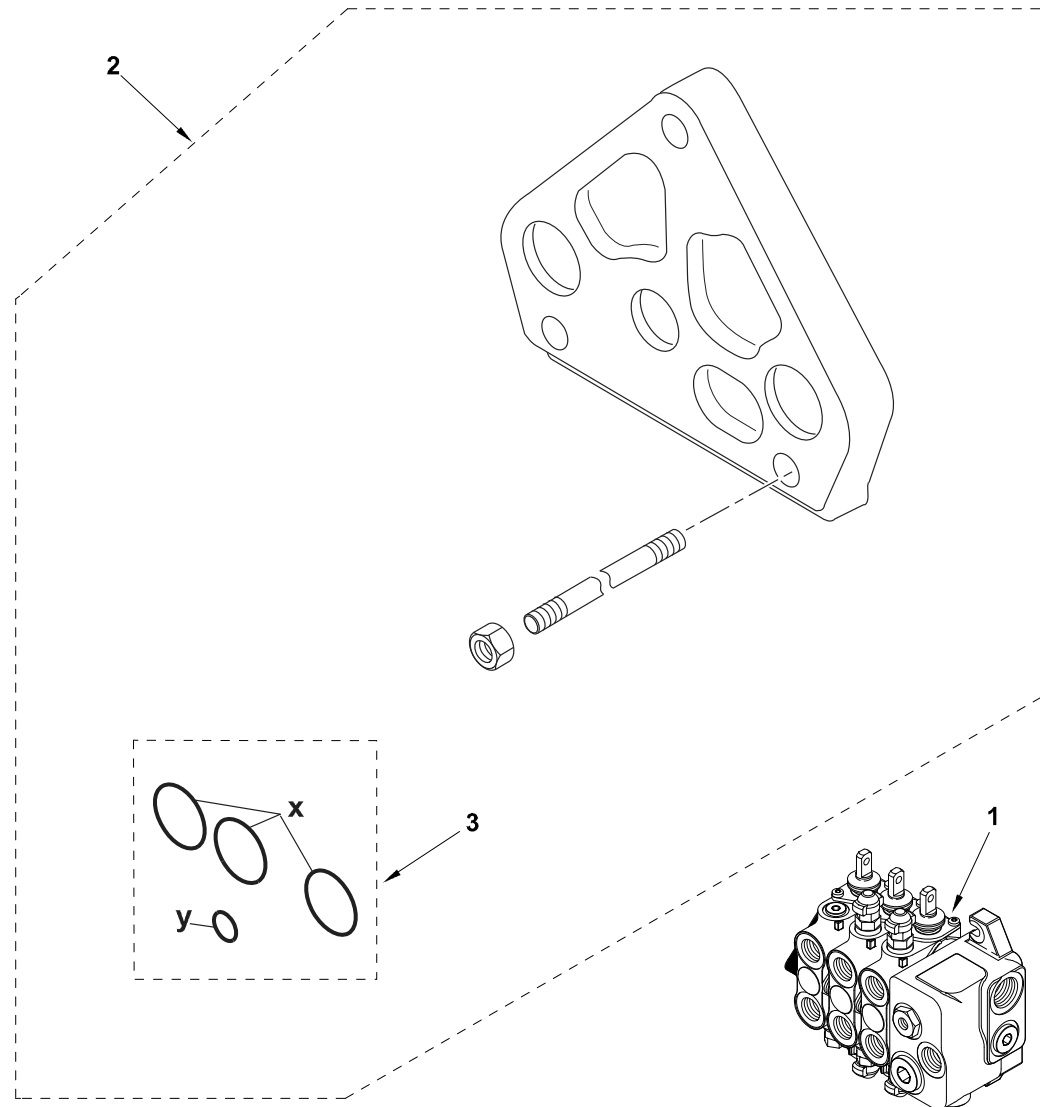
C-68023-07.1-A



Item	Part No.	Qty.	English	French	German	Spanish	Remarks
1	6109210M91	1	Valve - Loader 3 Spool Mechanical	Ensemble Distributio	Steverventilblock Kp	Distribuidor, Conj.	
2	6194533M91	1	Element - 4 X 1	Element - Soupape	Element - Ventil	Elemento - Válvula	
3	6193782M91	1	Anti-Cavitation Valve E Port B	Ensemble De Soupape	Ventil Kpl.	Válvula, Conj.	
4	6193771M91	1	Seal Interface Kit	Pochette De Joints	Dichsatz	Juego De Juntas	
5	6193785M91	1	Plug Q - Port B	Bouchon	Stopfen	Tapón, Conj.	
6	6193791M91	1	Seal Kit - L/S Valve	Jeu Étanchéité	Dichtringsatz	Juego De Juntas	
7	6194828M91	1	Spool Kit (Slice - Bucket 4 In 1 Loader)	Jeu Tiroir	Schieber Satz	Juego Carrete	



C-68023-08.1-A





<b>Item</b>	<b>Part No.</b>	<b>Qty.</b>	<b>English</b>	<b>French</b>	<b>German</b>	<b>Spanish</b>	<b>Remarks</b>
1	6109210M91	1	Valve - Loader 3 Spool Mechanical	Ensemble Distributio	Steverventilblock Kp	Distribuidor, Conj.	
2	6194517M91	1	Element - Outlet	Element - Soupape	Element - Ventil	Elemento - Válvula	
3	6193771M91	1	Seal Interface Kit	Pochette De Joints	Dichsatz	Juego De Juntas	



**Not Serviced**

THIS PAGE INTENTIONALLY LEFT BLANK

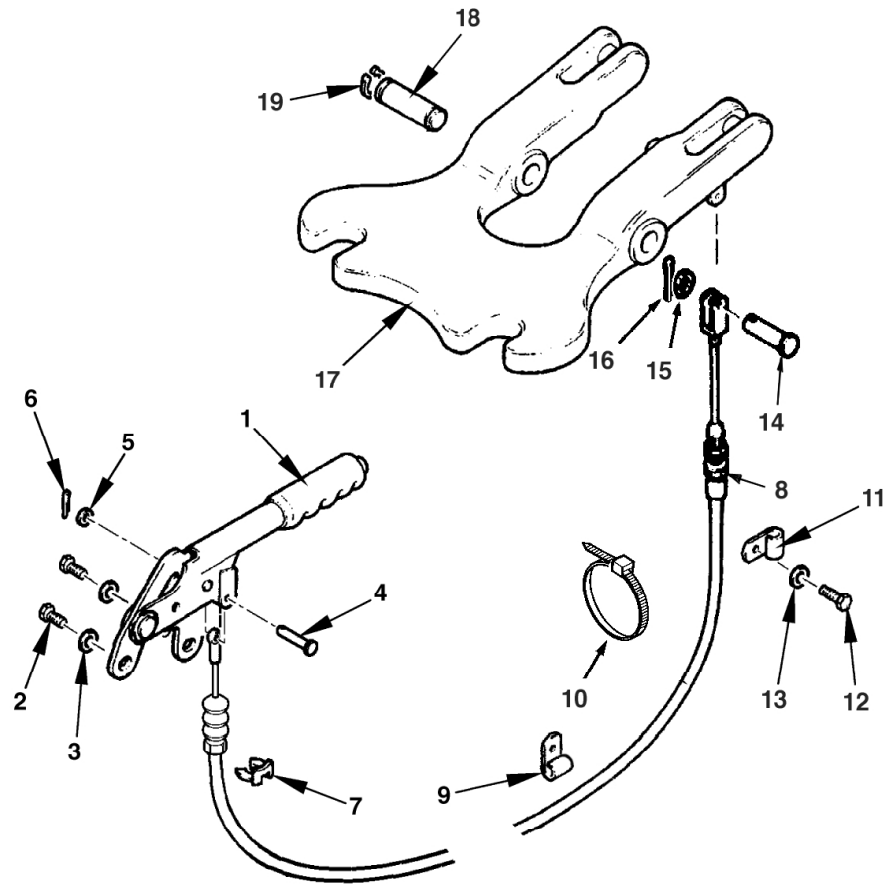


**Not Serviced**

THIS PAGE INTENTIONALLY LEFT BLANK



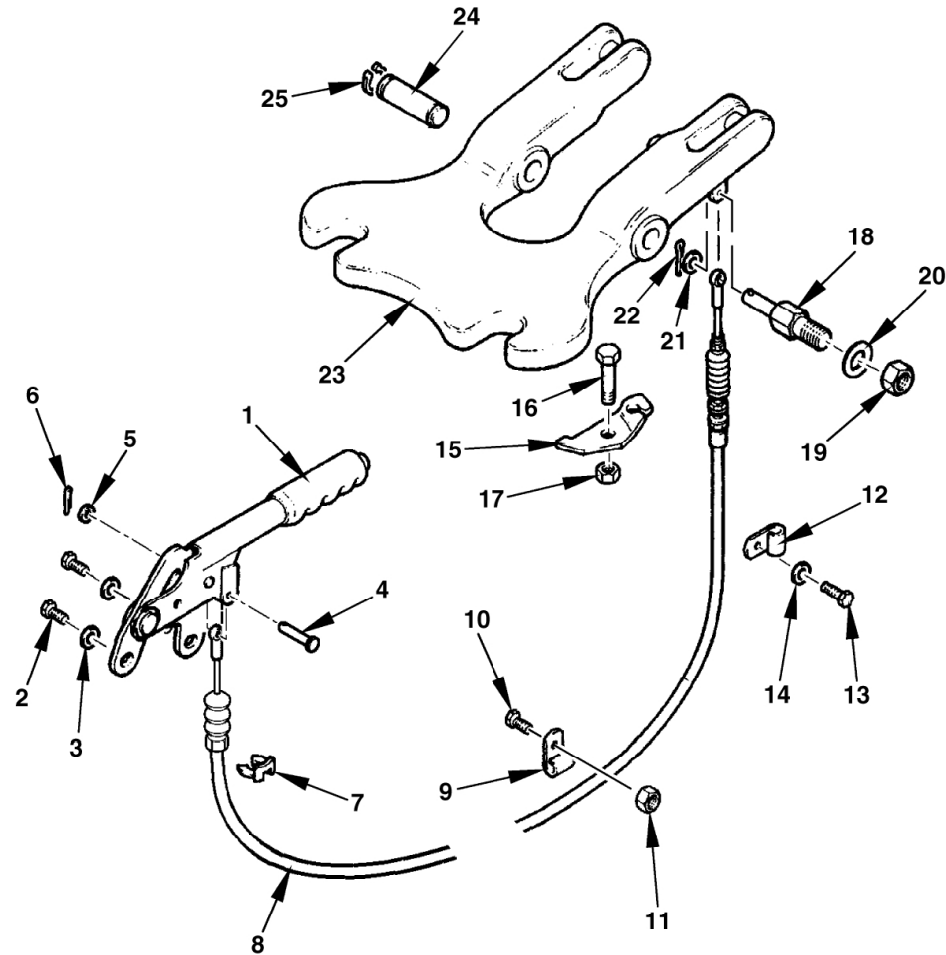
C-69001-01.1-A



Item	Part No.	Qty.	English	French	German	Spanish	Remarks
1	3522379M92	1	Lock Trnsprt Handbrake	Levier Ass.	Hebel Kplt	Palanca De Mando	
2	339124X1	2	Bolt M8-16 Z5f	Goupille	Maschschrb Metr - M8	Tornillo	
3	390972X1	2	Washer M8-17-1 Zwel	Rondelle M8	Scheibe - M8	Arandela	
4	3019192X1	1	Pin Clevis M6-25	Axe De Chape	Gabelstift	Pasador	
5	390971X1	1	Washer M6-12-1 Zwel	Rondelle - M6	Scheibe - M6	Arandela	
6	1442864X1	1	Pin Clevis	Axe	Bolzen	Pasador	
7	3522777M1	1	Clip Retaining	Clip	Klips	Clip	
8	6106281M91	1	Cable-Transport Lock S/Shift	Câble	Kabel	Cable, Conj.	Ec05/388
8	6111372M91	1	Cable - Transport Lock (Sideshift)	Ensemble De Câble	Kabel Kpl.	Cable, Conj.	Ec05/388
9	3517114M2	2	P - Clip	Collier De Fixation	Befestigungsschelle	Argolla De Fijación	
10	1664405M1	4	Tie Mm T50s	Attache Cable	Kabelbinder	Enlace De Cable	
11	3517114M2	1	P - Clip	Collier De Fixation	Befestigungsschelle	Argolla De Fijación	
12	339124X1	1	Bolt M8-16 Z5f	Goupille	Maschschrb Metr - M8	Tornillo	
13	390972X1	1	Washer M8-17-1 Zwel	Rondelle M8	Scheibe - M8	Arandela	
14	3019198X1	1	Pin Clevis	Axe De Chape	Gabelstift	Pasador	
15	390972X1	1	Washer M8-17-1 Zwel	Rondelle M8	Scheibe - M8	Arandela	
16	1442864X1	1	Pin Clevis	Axe	Bolzen	Pasador	
17	3521747Z6	1	Casting - Transport Lock	Verrou	Verriegelung	Cerrojo	
18	3521783M2	2	Pin Pivot	Axe	Bolzen	Pasador	
19	392758X1	4	Circlip O30 Zn	Segment D'Arrêt	Sicherungsring	Anillo De Resorte	



C-69002-01.1-A

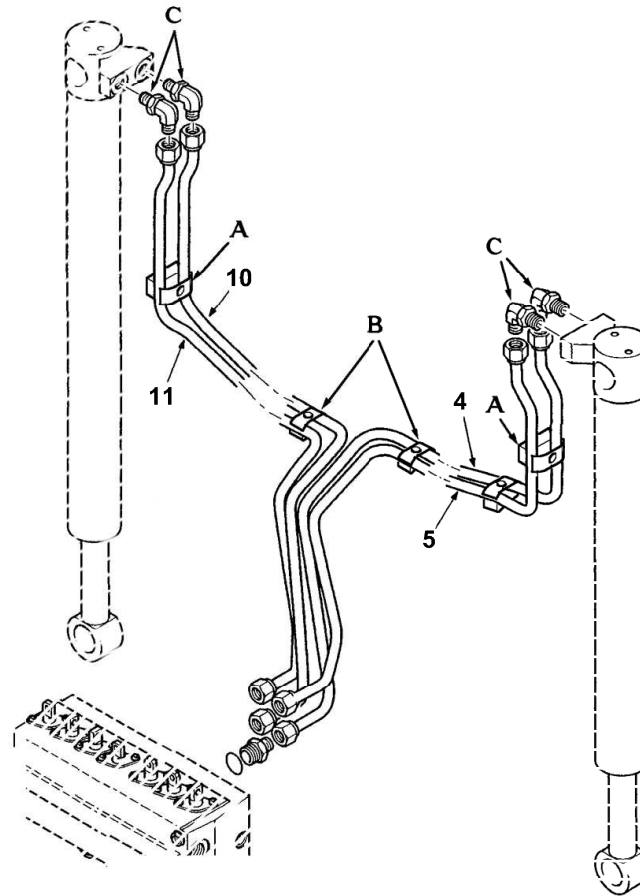
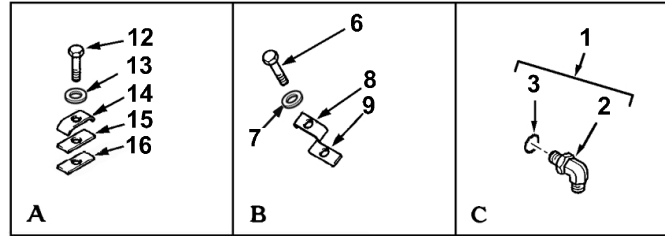




Item	Part No.	Qty.	English	French	German	Spanish	Remarks
1	3522379M92	1	Lock Trnsprt Handbrake	Levier Ass.	Hebel Kplt	Palanca De Mando	
2	339124X1	2	Bolt M8-16 Z5f	Goupille	Maschschrb Metr - M8	Tornillo	
3	390972X1	2	Washer M8-17-1 Zwl	Rondelle M8	Scheibe - M8	Arandela	
4	3019192X1	1	Pin Clevis M6-25	Axe De Chape	Gabelstift	Pasador	
5	390971X1	1	Washer M6-12-1 Zwl	Rondelle - M6	Scheibe - M6	Arandela	
6	1442864X1	1	Pin Clevis	Axe	Bolzen	Pasador	
7	3522777M1	1	Clip Retaining	Clip	Klips	Clip	
8	6106282M91	1	Cable-Transport Lock C/Mount	Câble	Kabel	Cable, Conj.	Ec05/388
8	6111373M91	1	Cable Assy- Transport Lock (Centremount)	Cabine	Kabelzug	Cable, Conj.	Ec05/388
9	3517114M2	1	P - Clip	Collier De Fixation	Befestigungsschelle	Argolla De Fijación	
10	339337X1	1	Bolt M8-30 Z5f	Goupille	Bolzen - M8 X 30	Perno	
11	394367X1	1	Nut, Hex. - Nyloc, M8	Ecrou Blocage M8	Flachmutter - M8	Tuerca De Retención	
12	3517114M2	1	P - Clip	Collier De Fixation	Befestigungsschelle	Argolla De Fijación	
13	339124X1	1	Bolt M8-16 Z5f	Goupille	Maschschrb Metr - M8	Tornillo	
14	390972X1	1	Washer M8-17-1 Zwl	Rondelle M8	Scheibe - M8	Arandela	
15	3517697M2	1	Plate Anchor	Plaque	Platte	Ancla	
16	3516013M1	1	Bolt M10-40 Z5s	Boulon	Schraube	Tornillo	
17	1440329X1	1	Nut, Hex. - Nyloc, M10	Ecrou Blocage	Flachmutter M10	Tuerca De Retención	
18	3517698M2	1	Pin Anchor	Axe	Bolzen	Pasador	
19	339169X1	1	Nut, Hex. - M8, Coarse	Ecrou Métrique	Mutter Metrisch	Tuerca	
20	339374X1	1	Washer M8 -21-2 Z	Rondelle Frein - M8	Federring - M8	Arandela De Freno	
21	390971X1	1	Washer M6-12-1 Zwl	Rondelle - M6	Scheibe - M6	Arandela	
22	1442864X1	1	Pin Clevis	Axe	Bolzen	Pasador	
23	3521747M6	1	Casting - Transport Lock	Verrou	Verriegelung	Cerrojo	
24	3521783M2	2	Pin Pivot	Axe	Bolzen	Pasador	
25	392758X1	4	Circlip O30 Zn	Segment D'Arrêt	Sicherungsring	Anillo De Resorte	

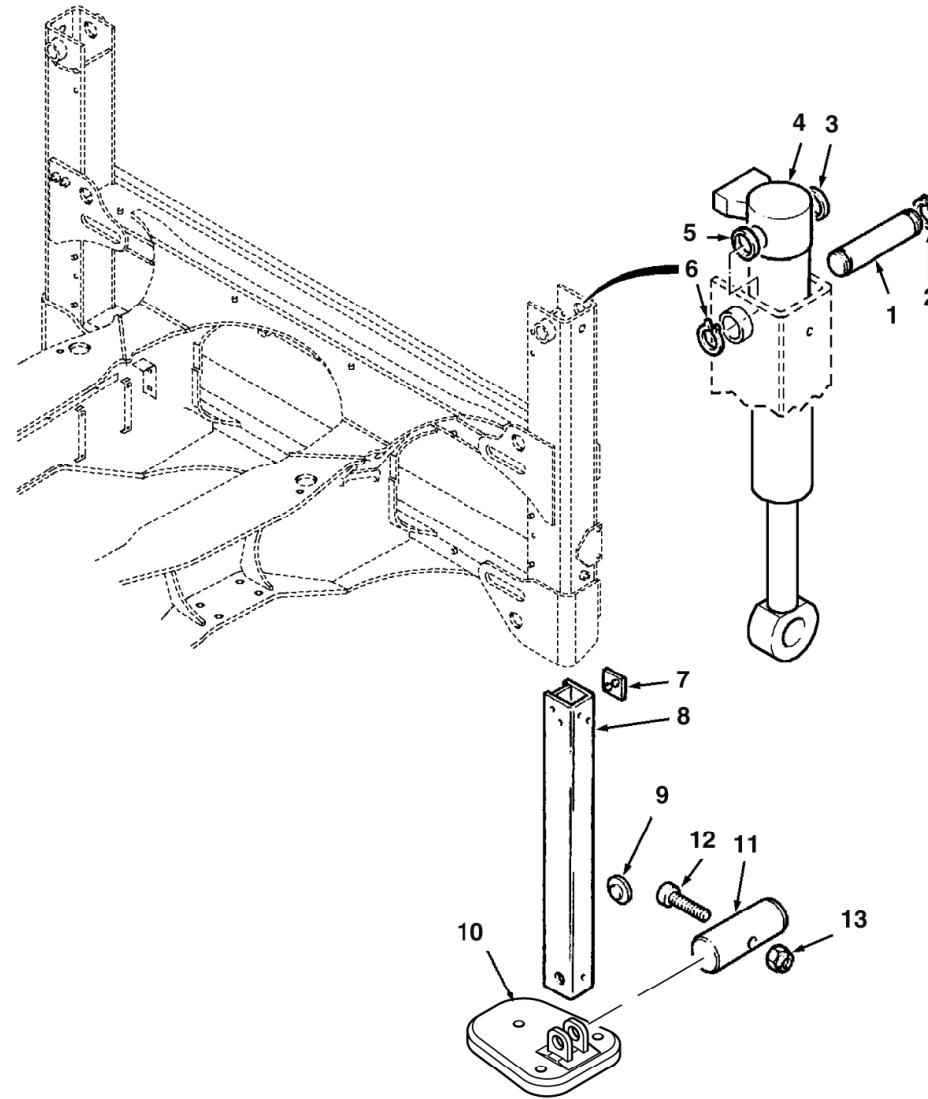


C-70001-01.1-C



Item	Part No.	Qty.	English	French	German	Spanish	Remarks
1	372866X91	4	Elbow 7/8-3/4	Coude, 90	Kniestück, 90	Codo, 90°	
2	#ELBOW	1	Elbow	Elbow	Elbow	Elbow	Ref. 1
3	835024M1	1	Ring O - Boa	Joint Torique	O Ring	Junta De Tipo O	
4	6109563M91	1	Hose Assy - Stab L/Out RH Head	Flexible Ass.	Schlauch Kpl	Flexible, Conj.	
5	6109733M91	1	Hose Assy - Stabs LH Head	Flexible Ass.	Schlauch Kpl	Flexible, Conj.	
6	339123X1	4	Bolt M8-20 Z5f	Boulon M8 X 20	Maschschraube M8	Perno	
7	390972X1	4	Washer M8-17-1 Zwl	Rondelle M8	Scheibe - M8	Arandela	
8	3522094M2	4	Clamp - Tube	Bride De Fixation	Befestigungshalter	Brida De Fijación	
9	1458385M1	4	Strip	Plaque Antidérapante	Klotz	Placa, Caucho	
10	6109531M91	1	Hose-Rh Ss Stab Wo/Lockout	Flexible Ass.	Schlauch Kplt	Flexible, Conj.	
11	6109734M91	1	Hose Assy - Stabs RH Rod	Flexible Ass.	Schlauch Kplt	Flexible, Conj.	
12	339123X1	2	Bolt M8-20 Z5f	Boulon M8 X 20	Maschschraube M8	Perno	
13	390972X1	2	Washer M8-17-1 Zwl	Rondelle M8	Scheibe - M8	Arandela	
14	3522094M2	2	Clamp - Tube	Bride De Fixation	Befestigungshalter	Brida De Fijación	
15	1458385M1	2	Strip	Plaque Antidérapante	Klotz	Placa, Caucho	
16	3518923M1	2	Block Spacer	Entretoise	Distanzstück	Traviesa	

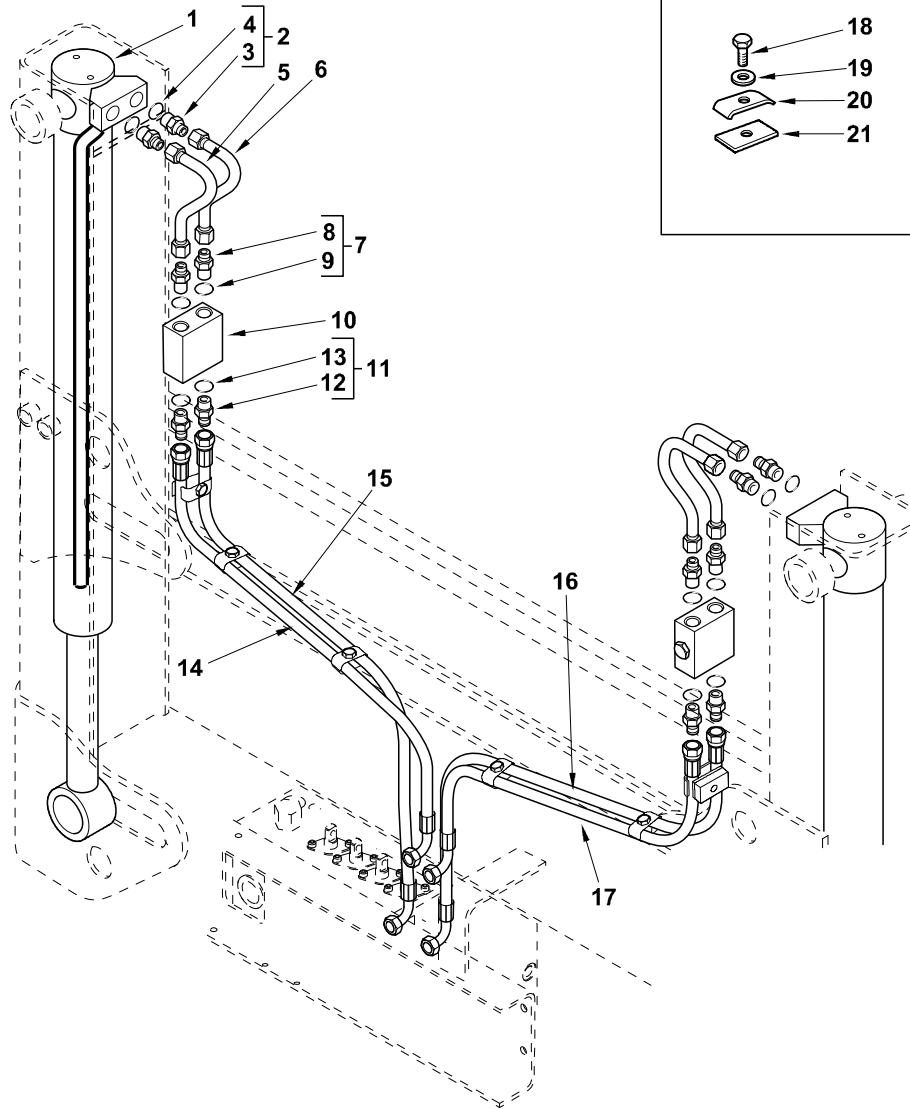
C-70004-01.1-A



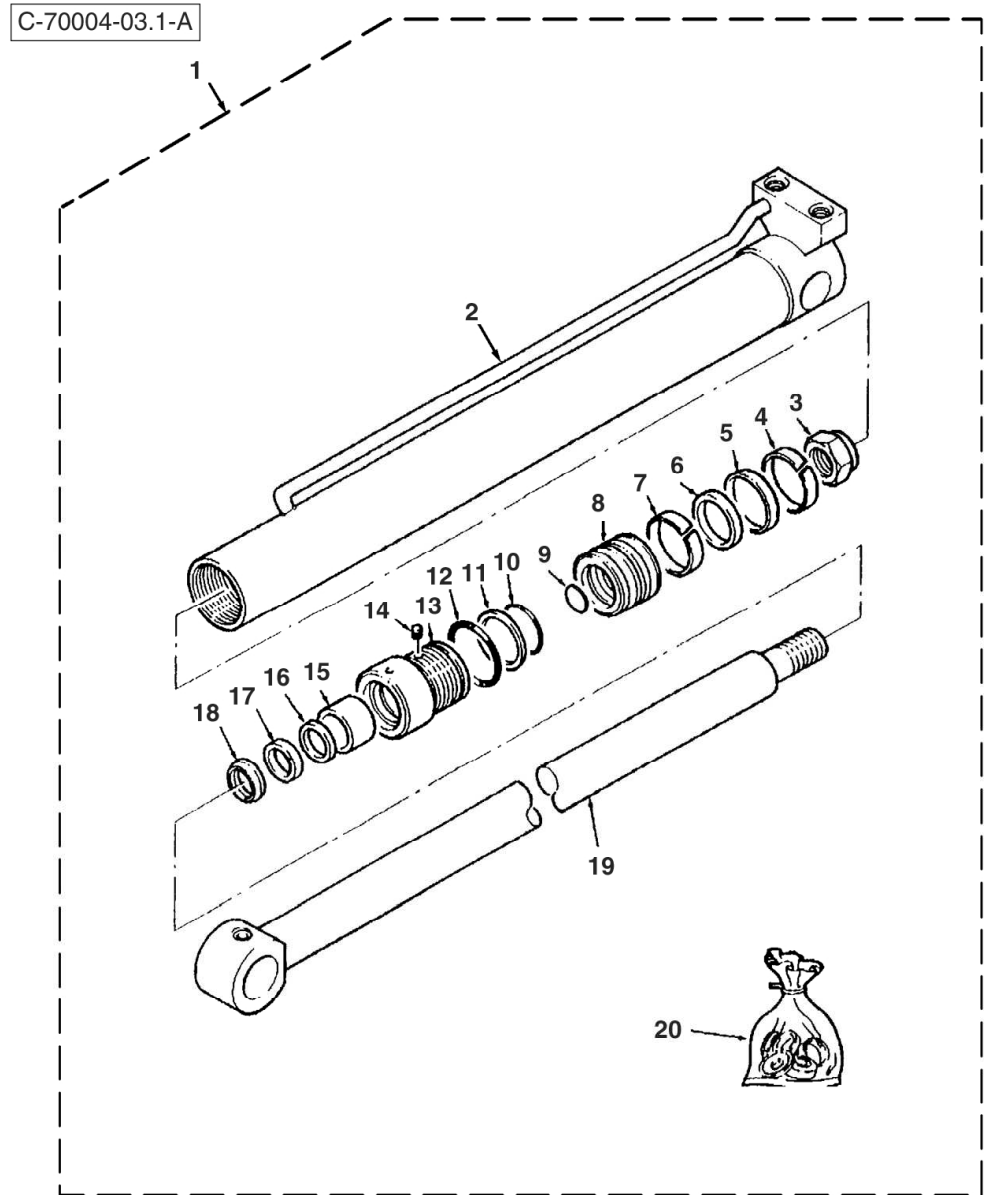
Item	Part No.	Qty.	English	French	German	Spanish	Remarks
1	3521289M3	2	Pin Stabiliser Cyl.	Axe	Bolzen	Pasador	
2	1440478X1	2	Circlip 45mm	Segment D'Arrêt	Sicherungsring	Anillo De Resorte	
3	3521279M2	2	Spacer	Entretoise	Distanzstück	Traviesa	
4	#CYLINDER ASSY	2	Cylinder Assy	Cylinder Assy	Cylinder Assy	Cylinder Assy	[70004c02.1 1] [70004c03.1 1] [70004c03.2 1]
5	3521279M2	2	Spacer	Entretoise	Distanzstück	Traviesa	
6	1440478X1	2	Circlip 45mm	Segment D'Arrêt	Sicherungsring	Anillo De Resorte	
7	3518965M1	0	Wear Pad Natural-6.0mm	Patin D'Usure	Verschleißkissen	Patín De Desgaste	
7	3518936M1	0	Pad Wear Red 6.5/6.25	Patin D'Usure	Verschleißkissen	Patín De Desgaste	
7	3517077M1	0	Pad Sq Grey 5.5/5.25	Patin D'Usure	Verschleißkissen	Patín De Desgaste	
7	6108416M1	0	Wear Pad-Sq're Blue 4.00/3.80	Patin D'Usure	Verschleißkissen	Patín De Desgaste	
7	3521199M3	0	Pad Square Blac 5.0/4.75	Patin D'Usure	Verschleißkissen	Patín De Desgaste	
7	3516684M2	0	Pad Square Yell 4.5/4.25	Patin D'Usure	Verschleißkissen	Patín De Desgaste	
7	6108417M1	0	Wear Pad-Sq're Green 3.60/3.40	Patin D'Usure	Verschleißkissen	Patín De Desgaste	
8	6108420M91	2	Stabiliser Leg Assy Inner S/S	Tige	Schaft	Varilla	
9	3519716M1	0	Pad Round Red 6.5/6.25	Patin D'Usure	Verschleißkissen	Patín De Desgaste	
9	3519714M1	0	Pad Round Grey 5.5/5.25	Patin D'Usure	Verschleißkissen	Patín De Desgaste	
9	3519713M1	0	Pad Round Blac 5.0/4.75	Patin D'Usure	Verschleißkissen	Patín De Desgaste	
9	3519712M1	0	Pad Round Yell 4.5/4.25	Patin D'Usure	Verschleißkissen	Patín De Desgaste	
9	3519715M1	0	Pad Round Natl 6.0/5.75	Patin D'Usure	Verschleißkissen	Patín De Desgaste	
9	6108419M1	0	Wear Pad-Round Green 3.60/3.40	Patin D'Usure	Verschleißkissen	Patín De Desgaste	
9	6108418M1	0	Wear Pad-Round Blue 4.00/3.80	Patin D'Usure	Verschleißkissen	Patín De Desgaste	
10	6102864M1	2	Foot Stabiliser S/S	Pied	Fuß	Pie	
11	3522879M2	2	Pin Stabiliser Foot S/S	Axe	Bolzen	Pasador	
12	1442169X1	2	Cap Screw Soc.Hd.M10 X 90	Vis A Tete Six Pans	Zylinderschraube	Tornillo	
13	1440329X1	2	Nut, Hex. - Nyloc, M10	Ecrou Blocage	Flachmutter M10	Tuerca De Retención	



C-70004-02.1-B



Item	Part No.	Qty.	English	French	German	Spanish	Remarks
1	#CYLINDER ASSY	2	Cylinder Assy	Cylinder Assy	Cylinder Assy	Cylinder Assy	70004c01.1 4 70004c03.1 1 70004c03.2 1
2	832159M91	4	Connector 3/4jic7/8or	Adaptateur	Reduziernippel	Conexión, Conj.	
3	#CONNECTOR	1	Connector	Connector	Connector	Connector	Ref. 1
4	835024M1	1	Ring O - Boa	Joint Torique	O Ring	Junta De Tipo O	
5	6111159M91	2	Tube Assembly - Stab Lock Out	Ensemble Tube	Rohr Kpl	Conjunto De Tubería	Tba Wipro
5	6106053M91	2	Tube-Stab Lockout	Tuyo	Leitung, Kpl.	Conjunto De Tubería	Tba Pacoma
6	6106055M91	2	Tube-Stab Lockout	Tuyo	Leitung, Kpl.	Conjunto De Tubería	Tba Pacoma
6	6111158M91	2	Tube Assembly - Stab Lock Out	Tuyauterie	Rohrleitung Kpl	Conjunto De Tubería	Tba Wipro
7	3519179M91	4	Connector	Borne	Doppelnippel	Conexión, Conj.	
8	#CONNECTOR	1	Connector	Connector	Connector	Connector	Ref. 7
9	831452M1	1	O Ring (Pack Of 10)	Joint Torique	O Ring	Junta De Tipo O	
10	6106226M91	2	Valve-Stab Lockout	Soupape	Ventil	Válvula De Bloqueo.	70004c04.1 1
11	3519179M91	4	Connector	Borne	Doppelnippel	Conexión, Conj.	
12	#CONNECTOR	1	Connector	Connector	Connector	Connector	Ref. 11
13	831452M1	1	O Ring (Pack Of 10)	Joint Torique	O Ring	Junta De Tipo O	
14	6109762M91	1	Hose Assy - Stab L/Out RH Rod	Flexible Ass.	Schlauch Kpl	Flexible, Conj.	
15	6109563M91	1	Hose Assy - Stab L/Out RH Head	Flexible Ass.	Schlauch Kpl	Flexible, Conj.	
16	6109564M91	1	Hose Assy - Stab L/Out LH Rod	Flexible Ass.	Schlauch Kpl	Flexible, Conj.	
17	6109763M91	1	Hose Assy - Stab L/Out LH Head	Flexible Ass.	Schlauch Kpl	Flexible, Conj.	
18	339761X1	6	Bolt M8-25 Z5f	Goupille	Bolzen M8 X 25	Tornillo	
19	390972X1	6	Washer M8-17-1 Zwl	Rondelle M8	Scheibe - M8	Arandela	
20	3522094M2	6	Clamp - Tube	Bride De Fixation	Befestigungshalter	Brida De Fijación	
21	1458385M1	6	Strip	Plaque Antidérapante	Klotz	Placa, Caucho	

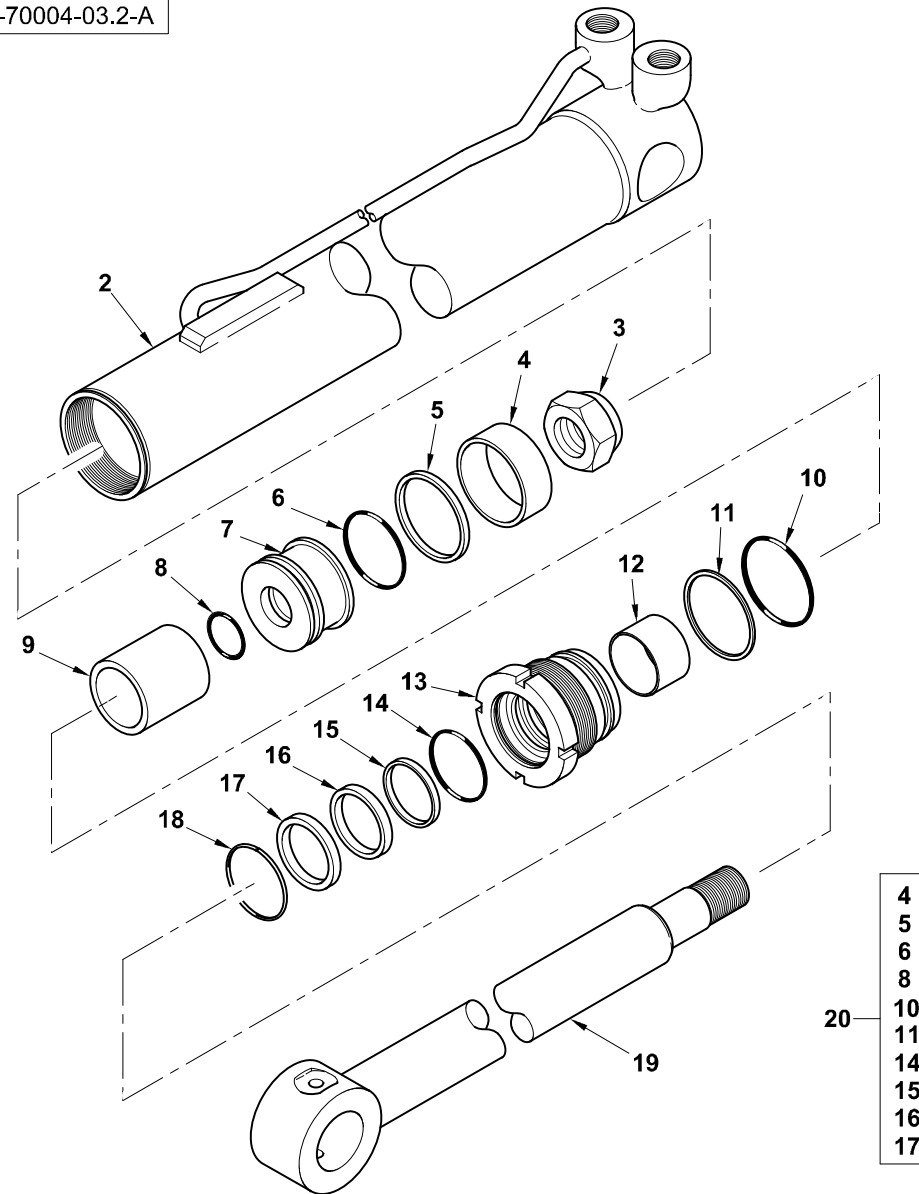




Item	Part No.	Qty.	English	French	German	Spanish	Remarks
1	3622129M94GY02	2	Cylinder Stab Ss Only (Benford Grey)	L´Hie Hydraulique	Zylinder Hydr.	Gato, Conj.	Tba [70004c01.1 4] [70004c02.1 1]
2	3623297M92	1	Barrel Assy	Cylindre De Vérin	Zylinderrohr	Cilindro De Gato	
3	1607690M1	1	Lock Nut M30	Ecrou Frein	Kontermutter	Tuerca	
4	3487067M1	1	Piston Guide Ring 70*10*2	Bague D'Étanchéité	Dichtungsring	Anillo, Estanqueidad	
5	3485241M1	1	Wear Ring Piston	Anneau	Ring	Aro	
6	3485254M1	1	Ring Pressure	Anneau	Ring	Aro	
7	3487067M1	1	Piston Guide Ring 70*10*2	Bague D'Étanchéité	Dichtungsring	Anillo, Estanqueidad	
8	3623299M1	1	Piston	Piston	Kolben	Pistón De Gato	
9	359181X1	1	O-Ring (44.04 Mm Nominal I/D) Shore A90	Joint Torique	O - Ring	Junta De Tipo O	
10	359187X1	1	O-Ring-63,09*3,53	Joint Torique	O Ring	Junta De Tipo O	
11	1884170M1	1	Backring-64.06*3*02	Contre-Joint	Stützring	ContraJunta	
12	3487205M1	1	O Ring, Hydr. Cylinder	Joint Torique	O Ring	Junta De Tipo O	
13	3623298M1	1	Bearing Cylinder	Roulement	Lager	Palier De Gato	
14	3443386M1	1	Retaining Plug	Bouchon	Stopfen	Tapón	
15	3491486M1	1	Bush, Piston Rod/Gland	Douille	Büchse	Anillo	
16	3443341M1	1	Ring Buffer	Bague D'Étanchéité	Dichtungsring	Anillo, Estanqueidad	
17	1606464M1	1	Seal	Joint D´Arbre	Wellendichtring	Junta	
18	1606575M1	1	Wiper Ring	Anneau	Ring	Junta Raspador	
19	3441606M91	1	Piston Rod Assy	Tige De Vérin	Kolbenstange	Vástago Cilindro	
20	3623300M91	0	Kit Seal	Jeu Étanchéité	Dichtringsatz	Juego De Juntas	



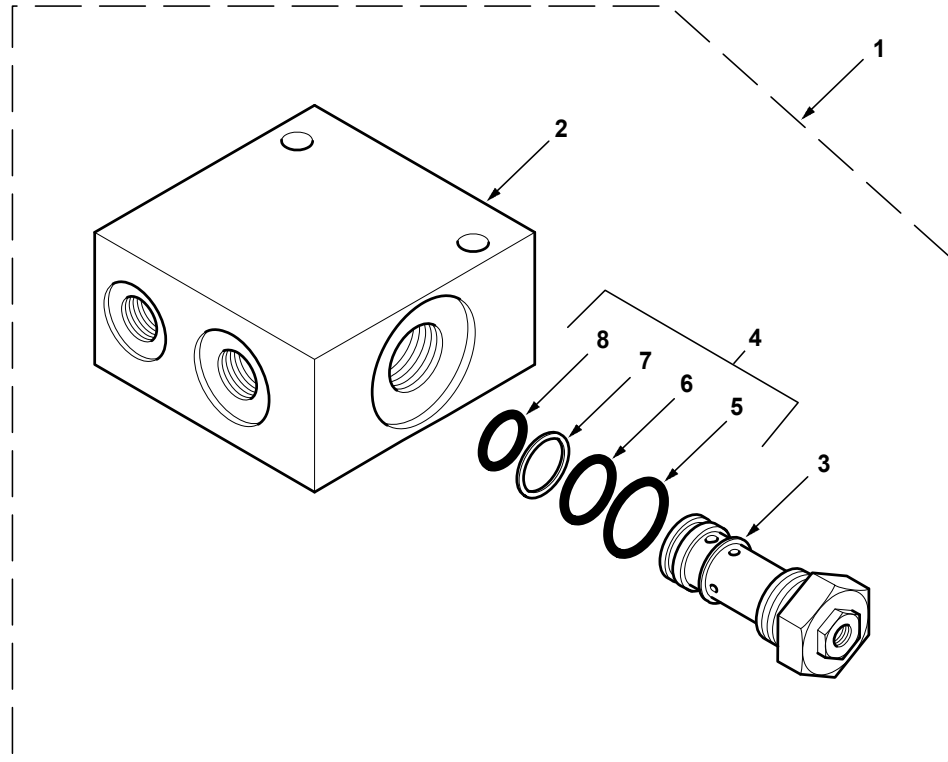
C-70004-03.2-A



Item	Part No.	Qty.	English	French	German	Spanish	Remarks
1	6111068M91GY03	2	Cylinder Stabiliser S/S	Cylindre	Zylinder	Gato, Conj.	Tba [70004c01.1 4] [70004c02.1 1]
2	6194596M91	1	Barrel - Cylinder	Corps Cylindre	Zylindergehause	Tubo	
3	6194600M1	1	Nut - Nyloc	Ecrou Blocage	Flachmutter	Tuerca	
4	6194606M1	1	Bearing - Piston	Coussinet	Lager	Teniendo - Pistón	
5	6194604M1	1	Seal - Piston	Joint Étanchéité	Dichtring	Junta	
6	6194605M1	1	O Ring (Std)	Joint Torique	O Ring	Junta De Tipo O	
7	6194598M1	1	Piston	Piston	Kolben	Pistón	
8	6194607M1	1	O Ring (Std)	Joint Torique	O Ring	Junta De Tipo O	
9	6194601M1	1	Stop Tube	Tube Butee	Rohr Anschlag	Pare - Tubo	
10	6194613M1	1	Ring - Back Up	Contre Bague	Stutzring	ContraJunta	
11	6194612M1	1	O Ring (Std)	Joint Torique	O Ring	Junta De Tipo O	
12	6194602M1	1	Bush - Bimetal	Douille	Büchse	Juego De Anillos	
13	6194599M1	1	End Cover - Head	Couvercle	Deckel	Tapa	
14	6194609M1	1	O Ring (Std)	Joint Torique	O Ring	Junta De Tipo O	
15	6194608M1	1	Seal - Rod (Primary)	Joint Étanchéité	Dichtring	Junta	
16	6194610M1	1	Seal- Rod (Secondary)	Joint Étanchéité	Dichtring	Junta	
17	6194611M1	1	Wiper	Essuyeur	Wischer	Raspador, Escobilla	
18	6194603M1	1	Ring - Snap	Fermeoir	Sprengring	Anillo De Resorte	
19	6194597M91	1	Rod - Piston	Bielle De Piston	Pleuelstange	Rod - Pistón	
20	6194614M91	0	Seal Kit	Jeu Etancheite	Dichtringsatz	Juego De Juntas	

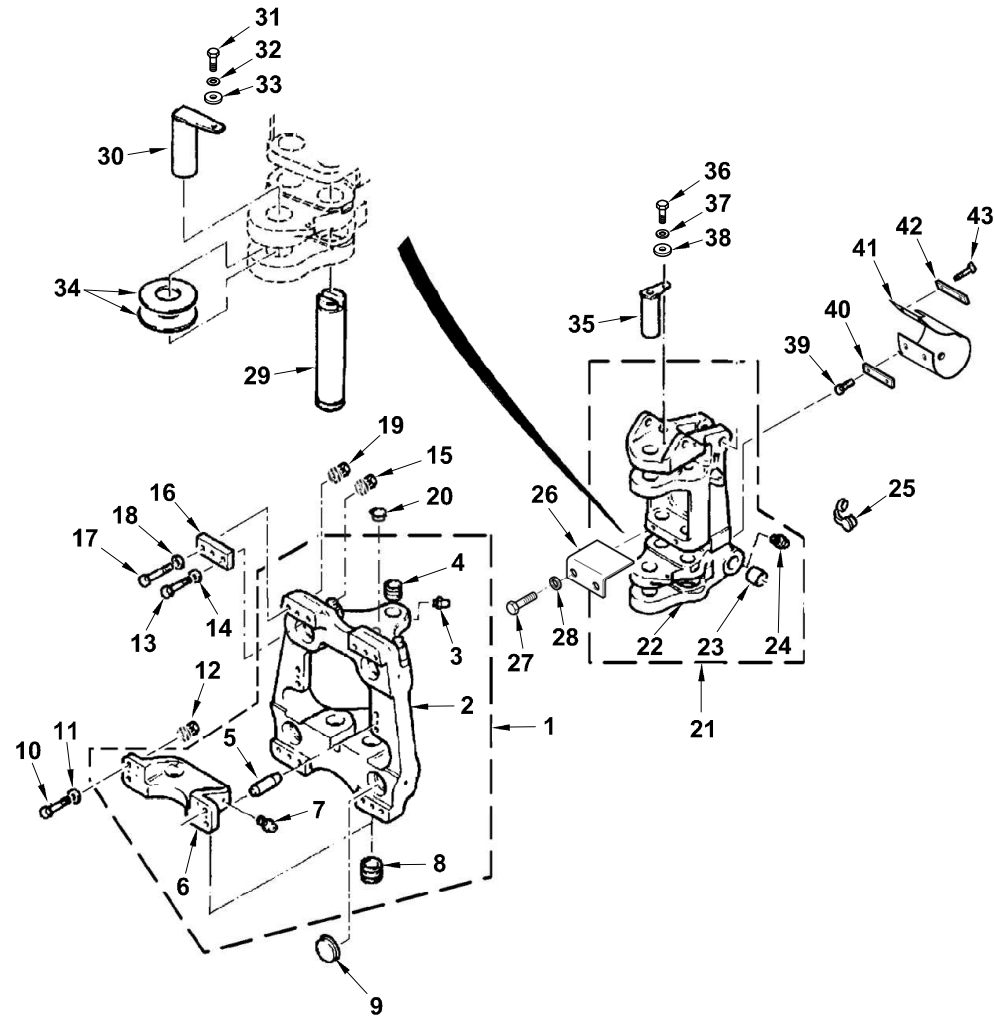


C-70004-04.1-A



Item	Part No.	Qty.	English	French	German	Spanish	Remarks
1	6106226M91	2	Valve-Stab Lockout	Soupape	Ventil	Válvula De Bloqueo.	70004c02.1 10
2	#BODY	1	Body	Body	Body	Body	Ref. 1
3	6190746M91	1	Valve-Pilot Operated Check	Soupape	Ventil	Válvula De Pilotaje	
4	6190747M91	0	Package Seals	Pochette De Joints	Dichtungssatz	Juego De Juntas	
5	#O-RING	1	O-Ring	Joint Torique	O-Ring	Junta Tórica	Ref. 4
6	#O-RING	1	O-Ring	Joint Torique	O-Ring	Junta Tórica	Ref. 4
7	#SEAL	1	Seal	Joint Étanchéité	Dichtring	Retén	Ref. 4
8	#O-RING	1	O-Ring	Joint Torique	O-Ring	Junta Tórica	Ref. 4

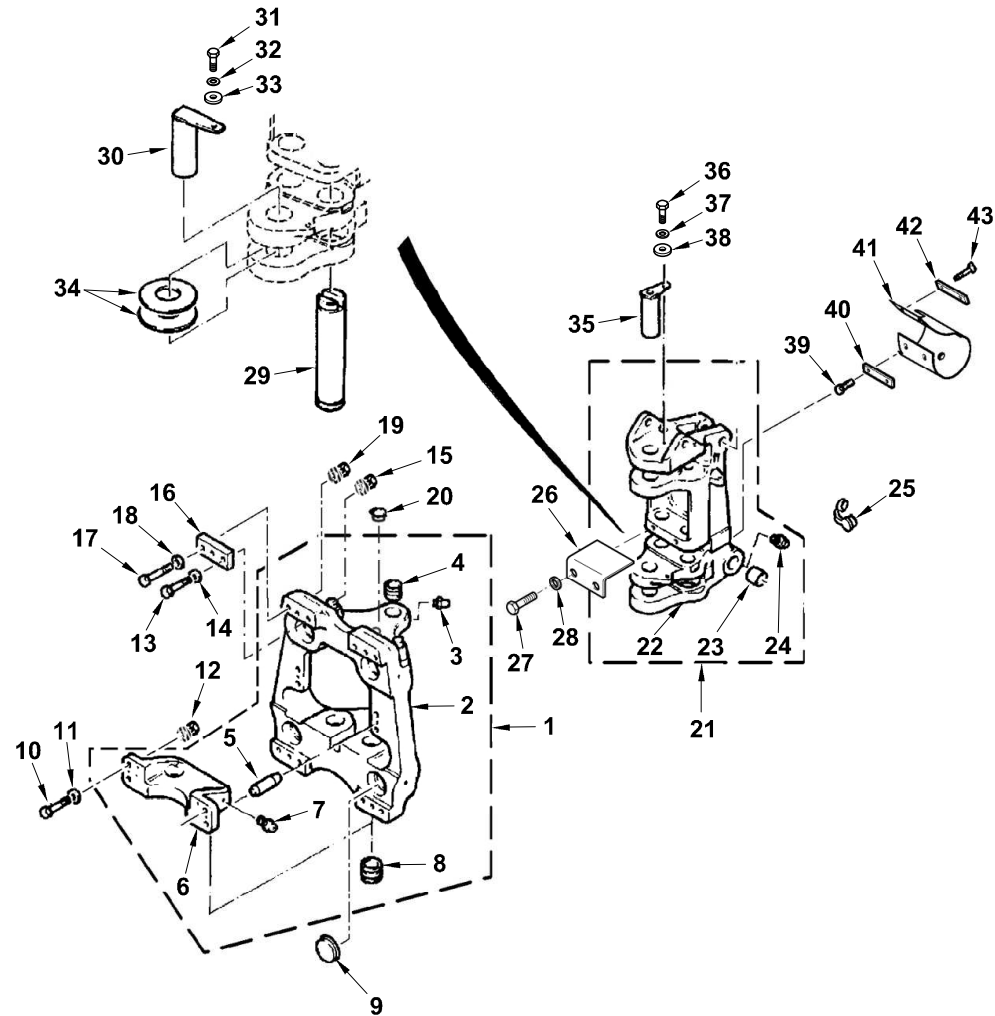
C-71001-01.1-B



Item	Part No.	Qty.	English	French	German	Spanish	Remarks
1	3518089M95	1	Mast Casting - Sideshift Digger.	Ensemble De Bati	Rahmen Kpl.	Bastidor, Conj.	
2	#FRAME	1	Frame	Frame	Frame	Frame	Ref. 1
3	339608X1	4	Grease Nipple - M10 X 1 (Zinc)	Nipple De Graissage	Schmiernippel	Engrasador	
4	3500312M3	2	Bush, Mast/Pivot Pins	Douille	Buechse	Anillo	
5	3522954M1	2	Dowel 12 X 55	Goupille Position.	Pasststift	Peón	
6	#MOUNT	1	Mount	Mount	Mount	Mount	Ref. 1
7	339608X1	2	Grease Nipple - M10 X 1 (Zinc)	Nipple De Graissage	Schmiernippel	Engrasador	
8	3521388M5	4	Bush, Lower - Mast/Pivot	Douille	Buechse	Anillo	
9	6110790M91	4	Clamp Seal Assy	Ensemble De Joint	Dichtung	Junta, Conj.	
10	3522187M2	4	Bolt M20-100 P 10.9	Goupille	Bolzen	Tornillo	
11	385365X1	8	Washer Hardened M20	Rondelle	Scheibe	Arandela	
12	3522225M3	4	Nut M20	Ecrou	Mutter	Tuerca	
13	3522254M2	2	Bolt M24-140 (0.58kg)	Goupille	Bolzen	Tornillo	
14	3517388M1	4	Special Washer M24	Rondelle	Scheibe	Arandela	
15	6110797M1	2	Nut - M24	Ecrou - M24	Mutter - M24	Tuerca	
16	3521610M1	4	Plate - Clamp	Platine	Klemmplatte	Placa De Abrazo	
17	3522255M2	10	Bolt M24-150 (0.61kg)	Goupille	Sechskantschraube	Tornillo	
18	3517388M1	20	Special Washer M24	Rondelle	Scheibe	Arandela	
19	6110797M1	10	Nut - M24	Ecrou - M24	Mutter - M24	Tuerca	
20	T102199	2	Plug (Plastic)	Bouchon	Stopfen	Tapon	
21	3517861M95	1	Pivot Assy - Swing	Pivot	Drehzapfen	Pivote, Conj.	
22	#PIVOT	1	Pivot	Pivot	Pivot	Pivot	Ref. 21
23	3500047M4	2	Bush, Pivot/Boom Mounting	Douille	Buechse	Anillo	
24	339608X1	1	Grease Nipple - M10 X 1 (Zinc)	Nipple De Graissage	Schmiernippel	Engrasador	
25	3516180M2	7	Cap Grease Nipple	Cache	Abdeckung	Tapa	
26	6102858M5	1	Angle-Pin Retainer	Patte Fixation	Halter	Fijación	
27	6007776M1	2	Bolt M10 X 30	Goupille	Bolzen	Perno	
28	385362X1	2	Washer, Hardened - M10	Rondelle - M10	Unterlegscheibe M10	Arandela	
29	6102859M1	2	Pin * R Type *	Goupille	Bolzen	Pasador	
30	6111415M91	1	Pin Assy Swing Pivot - Bottom	Goupille	Bolzen	Pasador	



C-71001-01.1-B

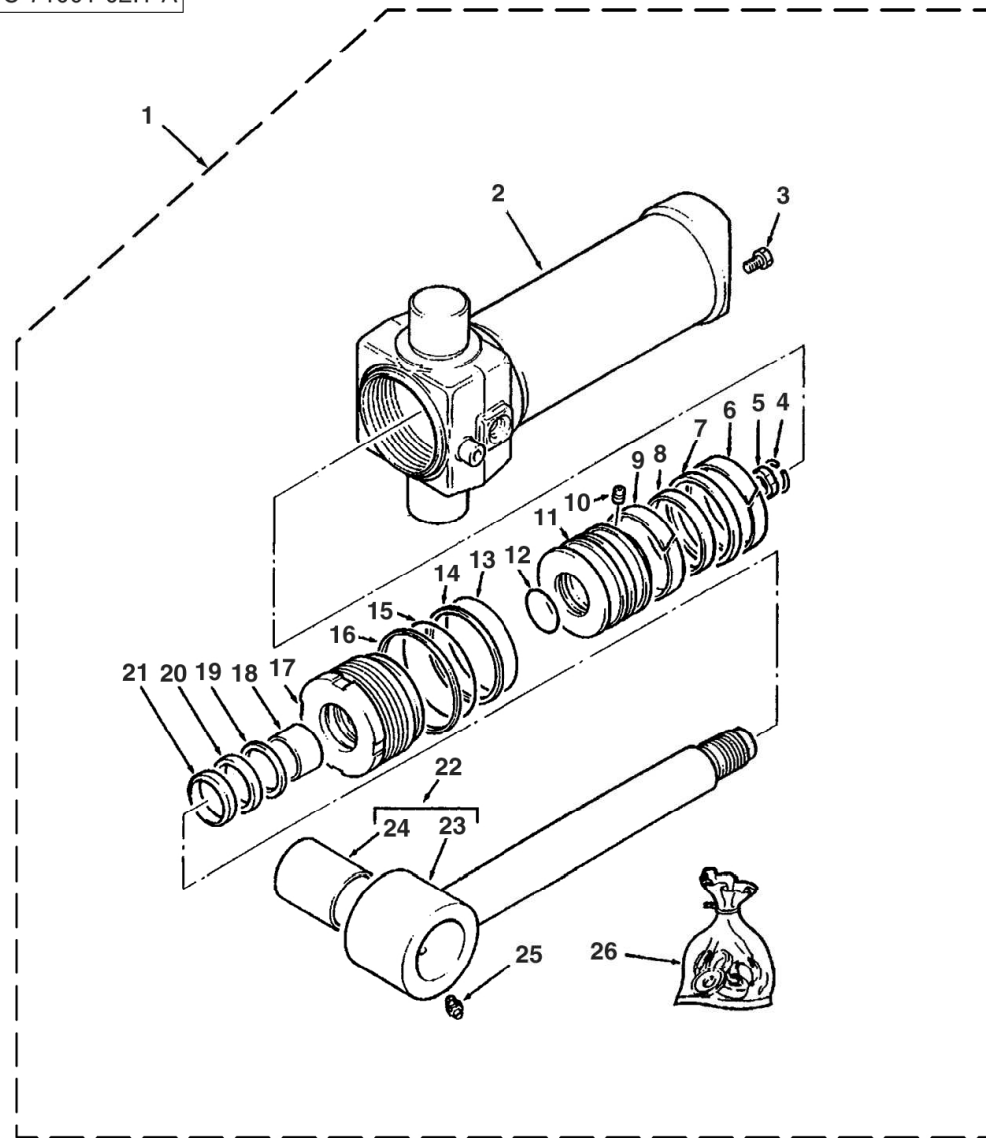




Item	Part No.	Qty.	English	French	German	Spanish	Remarks
31	3009493X1	1	Bolt M10-30 Z5c	Boulon M10 X 30	Maschschraube M10	Perno	
32	6111417M1	1	Spacer	Entretoise	Abstandstück	Traviesa	
33	390597X1	1	Washer, Large - M10	Rondelle	Scheible	Arandela	
34	3521389M1	2	Washer, Thrust - Pivot Post	Rondelle De Butee	Druckscheibe	Arandela De Tope	
35	6111412M91	1	Pin Assy Swing Pivot - Top	Goupille	Bolzen	Pasador	
36	3009493X1	1	Bolt M10-30 Z5c	Boulon M10 X 30	Maschschraube M10	Perno	
37	6111417M1	1	Spacer	Entretoise	Abstandstück	Traviesa	
38	390597X1	1	Washer, Large - M10	Rondelle	Scheible	Arandela	
39	339123X1	2	Bolt M8-20 Z5f	Boulon M8 X 20	Maschschraube M8	Perno	
40	6101936M1	1	Plate-Clamping	Plaque	Platte	Placa	
41	6101935M2	1	Strip-Hose Protection	Protection	Schutzvorrichtung	Protector	
42	6101936M1	1	Plate-Clamping	Plaque	Platte	Placa	
43	339123X1	2	Bolt M8-20 Z5f	Boulon M8 X 20	Maschschraube M8	Perno	

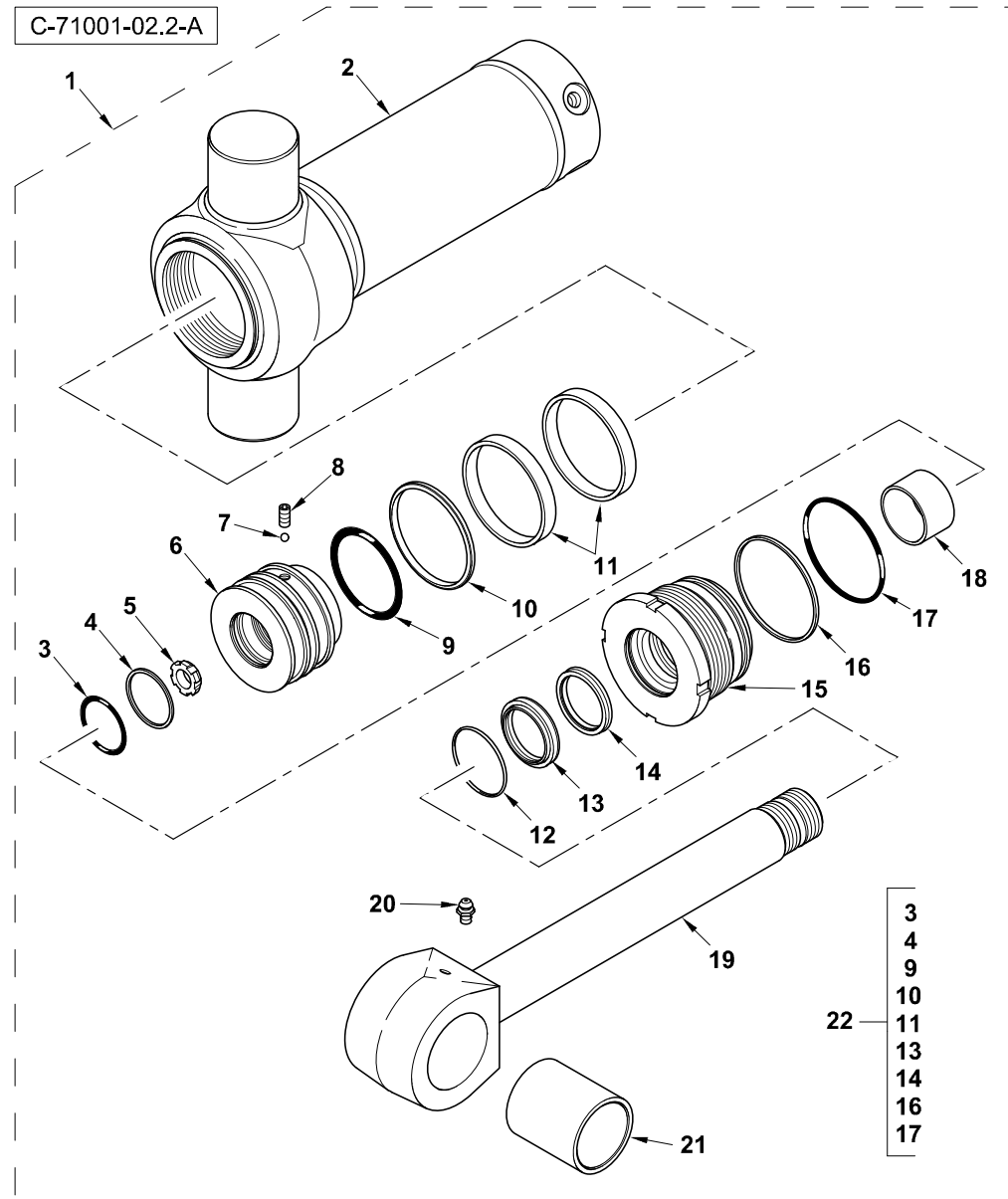


C-71001-02.1-A



Item	Part No.	Qty.	English	French	German	Spanish	Remarks
1	3622124M94	1	Cylinder Slew RH	L´Hie Hydraulique	Zylinder Hydr.	Gato, Conj.	
1	3622137M94	1	Cylinder Slew LH	L´Hie Hydraulique	Zylinder Hydr.	Gato, Conj.	
2	3623363M93	1	Barrel Assy	Cylindre De Vérin	Zylinderrohr	Cilindro De Gato	
2	3623350M93	1	Barrel Assy	Cylindre De Vérin	Zylinderrohr	Cilindro De Gato	
3	3623369M1	1	Plug	Bouchon	Stopfen	Tapón	
4	3186587M1	1	Snap Ring	Anneau D´Arrêt	Sprengring	Anillo De Resorte	
5	3186586M1	1	Ring Cushioning	Anneau	Ring	Aro	
6	3485892M1	1	Guide Ring Piston	Bague D¿Étanchéité	Dichtungsring	Anillo, Estanqueidad	
7	3485245M91	1	Seal Assy Piston	Joint Ass.	Dichtung Kplt	Junta, Conj.	
8	3485258M1	1	Ring Pressure	Joint	Dichtung	Junta	
9	3485892M1	1	Guide Ring Piston	Bague D¿Étanchéité	Dichtungsring	Anillo, Estanqueidad	
10	3402928M1	1	Screw, Socket Head - Piston Locating	Vis Tête Hex	Zylinderschraube	Tornillo	
11	3623361M1	1	Piston	Piston	Kolben	Pistón De Gato	
12	377328X1	1	O-Ring	Joint Torique	O-Ring	Junta De Tipo O	
13	359193X1	1	O-Ring	Joint Torique	O-Ring	Junta De Tipo O	
14	1606735M1	1	Ring Back-Up	Contre Bague	Stützring	ContraJunta	
15	3487207M1	1	O-Ring	Joint Torique	O-Ring	Junta De Tipo O	
16	1608541M1	1	Ring Retaining	Anneau De Retenue	Befestigungsring	Anillo De Retención	
17	3623362M1	1	Bearing Cylinder	Roulement	Lager	Palier De Gato	
18	3491486M1	1	Bush, Piston Rod/Gland	Douille	Büchse	Anillo	
19	3443341M1	1	Ring Buffer	Bague D¿Étanchéité	Dichtungsring	Anillo, Estanqueidad	
20	1606464M1	1	Seal	Joint D´Arbre	Wellendichtring	Junta	
21	1606575M1	1	Wiper Ring	Anneau	Ring	Junta Raspador	
22	3623351M91	1	Piston Rod Assy	Tige De Vérin	Kolbenstange	Vástago Cilindro	
23	#ROD, PISTON	1	Rod, Piston	Rod, Piston	Rod, Piston	Rod, Piston	Ref. 22
24	3623360M1	2	Bush, Hydr. Cylinder	Douille	Buechse	Anillo	
25	13811X	1	Grease Nipple	Nipple De Graissage	Schmiernippel	Engrasador	
26	3623368M91	1	Kit Seal	Jeu Etancheite	Dichtringsatz	Juego De Juntas	

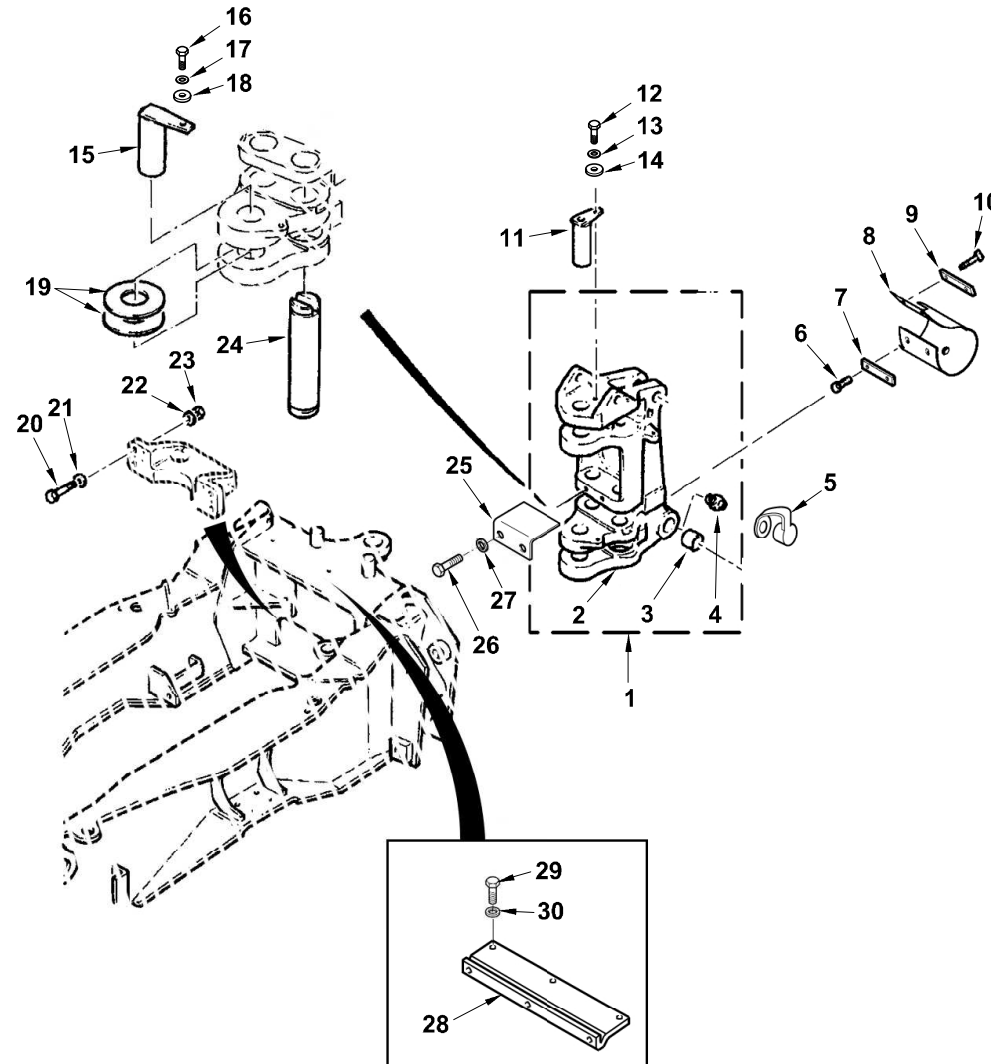




Item	Part No.	Qty.	English	French	German	Spanish	Remarks
1	6111073M91GY03	2	Cylinder Slew	Cylindre	Zylinder	Cilindro	
2	6195201M91GY03	1	Tube - S/A (Terex Grey)	Tube - S/A (Terex Grey)	Tube - S/A (Terex Grey)	Tube - S/A (Terex Grey)	
3	6195193M1	1	O-Ring	O-Ring	O-Ring	O-Ring	
4	6194549M1	1	Ring - Back Up	Contre Bague	Stutzring	ContraJunta	
5	6195179M1	1	Ring - Cushioning	Ring - Cushioning	Ring - Cushioning	Ring - Cushioning	
6	6195196M1	1	Piston	Piston	Piston	Piston	
7	6195182M1	1	Ball - Steel Ch. Alloy	Ball - Steel Ch. Alloy	Ball - Steel Ch. Alloy	Ball - Steel Ch. Alloy	
8	6195199M1	1	Screw - Set	Screw - Set	Screw - Set	Screw - Set	
9	6195186M1	1	O-Ring	O-Ring	O-Ring	O-Ring	
10	6194635M1	1	Seal - Piston	Joint Étanchéité	Dichtring	Junta	
11	6194634M1	1	Bearing - Piston	Coussinet	Lager	Teniendo - Pistón	
12	6194603M1	1	Ring - Snap	Fermeoir	Sprengring	Anillo De Resorte	
13	6194611M1	1	Wiper	Essuyeur	Wischer	Raspador, Escobilla	
14	6195194M1	1	Seal - Rod	Seal - Rod	Seal - Rod	Seal - Rod	
15	6195197M1	1	Cover - Head End	Cover - Head End	Cover - Head End	Cover - Head End	
16	6194641M1	1	Ring - Back Up	Contre Bague	Stutzring	ContraJunta	
17	6195189M1	1	O-Ring	O-Ring	O-Ring	O-Ring	
18	6195195M1	1	Bush - Bimetal	Bush - Bimetal	Bush - Bimetal	Bush - Bimetal	
19	6195200M91	1	Piston Rod - S/A	Piston Rod - S/A	Piston Rod - S/A	Piston Rod - S/A	
20	6194542M1	1	Nipple - Grease	Graisser Coude	Nippel	Manguito, Engrasador	
21	6195198M1	2	Bush	Bush	Bush	Bush	
22	6195202M91	1	Seal Kit	Jeu Etancheite	Dichtringsatz	Juego Retenes	



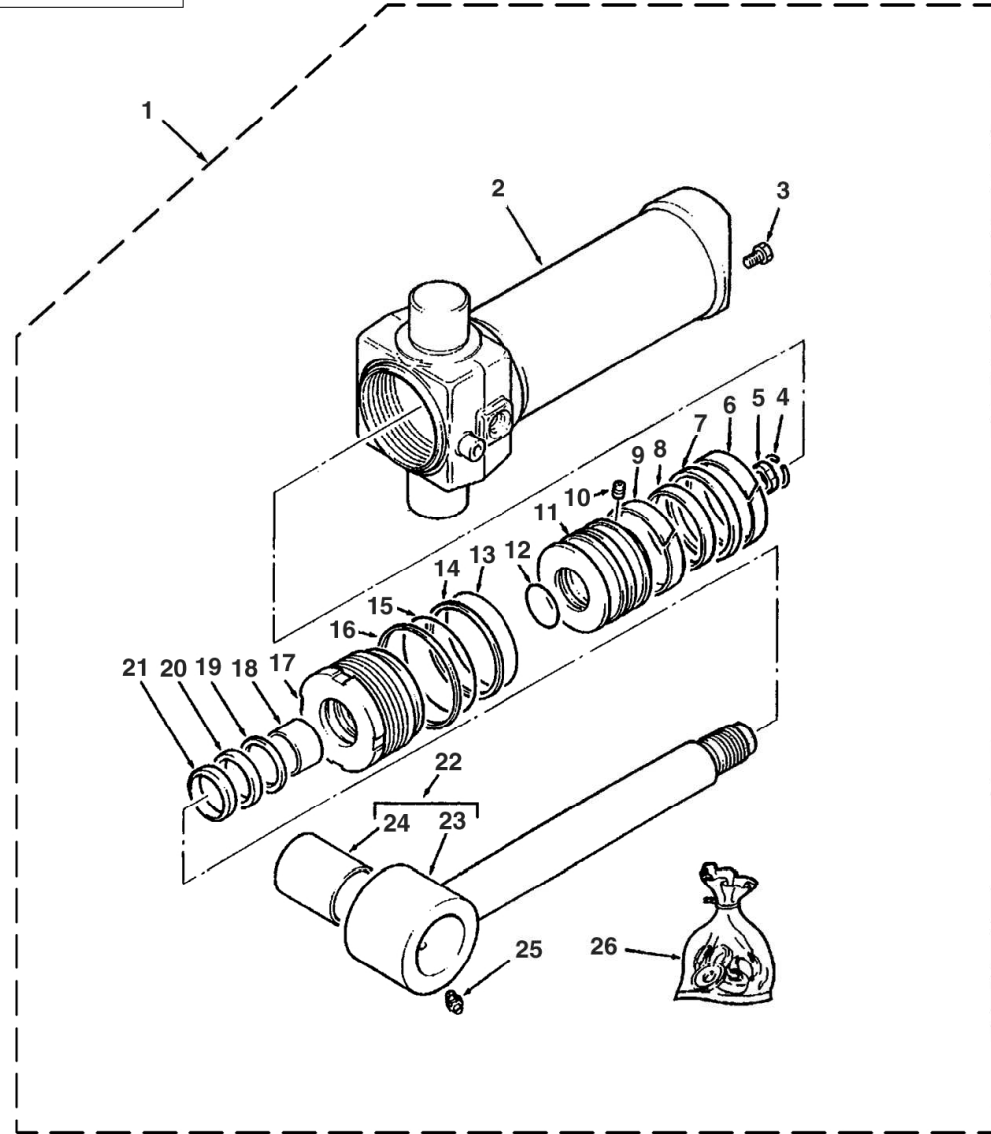
C-71002-01.1-B



Item	Part No.	Qty.	English	French	German	Spanish	Remarks
1	3517861M95	1	Pivot Assy - Swing	Pivot	Drehzapfen	Pivote, Conj.	
2	#PIVOT	1	Pivot	Pivot	Pivot	Pivot	Ref. 1
3	3500047M4	2	Bush, Pivot/Boom Mounting	Douille	Buechse	Anillo	
4	339608X1	1	Grease Nipple - M10 X 1 (Zinc)	Nipple De Graissage	Schmiernippel	Engrasador	
5	3516180M2	1	Cap Grease Nipple	Cache	Abdeckung	Tapa	
6	339123X1	2	Bolt M8-20 Z5f	Boulon M8 X 20	Maschschraube M8	Perno	
7	6101936M1	1	Plate-Clamping	Plaque	Platte	Placa	
8	6101935M2	1	Strip-Hose Protection	Protection	Schutzvorrichtung	Protector	
9	6101936M1	1	Plate-Clamping	Plaque	Platte	Placa	
10	339123X1	2	Bolt M8-20 Z5f	Boulon M8 X 20	Maschschraube M8	Perno	
11	6111412M91	1	Pin Assy Swing Pivot - Top	Goupille	Bolzen	Pasador	
12	3009493X1	1	Bolt M10-30 Z5c	Boulon M10 X 30	Maschschraube M10	Perno	
13	6111417M1	1	Spacer	Entretoise	Abstandstück	Traviesa	
14	390597X1	1	Washer, Large - M10	Rondelle	Scheibe	Arandela	
15	6111415M91	1	Pin Assy Swing Pivot - Bottom	Goupille	Bolzen	Pasador	
16	3009493X1	1	Bolt M10-30 Z5c	Boulon M10 X 30	Maschschraube M10	Perno	
17	6111417M1	1	Spacer	Entretoise	Abstandstück	Traviesa	
18	390597X1	1	Washer, Large - M10	Rondelle	Scheibe	Arandela	
19	3521389M1	2	Washer, Thrust - Pivot Post	Rondelle De Butee	Druckscheibe	Arandela De Tope	
20	3517442M1	4	Bolt M20 X 90	Goupille	Bolzen	Tornillo	
21	385365X1	4	Washer Hardened M20	Rondelle	Scheibe	Arandela	
22	385365X1	4	Washer Hardened M20	Rondelle	Scheibe	Arandela	
23	3522225M3	4	Nut M20	Ecrou	Mutter	Tuerca	
24	6102859M1	2	Pin * R Type *	Goupille	Bolzen	Pasador	
25	6102858M5	1	Angle-Pin Retainer	Patte Fixation	Halter	Fijación	
26	6007776M1	2	Bolt M10 X 30	Goupille	Bolzen	Perno	
27	385362X1	2	Washer, Hardened - M10	Rondelle - M10	Unterlegscheibe M10	Arandela	
28	3517296M1	1	Cover Plate	Plaque De Fermeture	Verschlussplatte	Placa De Cierre	
29	339124X1	5	Bolt M8-16 Z5f	Goupille	Maschschrb Metr - M8	Tornillo	
30	390972X1	5	Washer M8-17-1 Zwl	Rondelle M8	Scheibe - M8	Arandela	



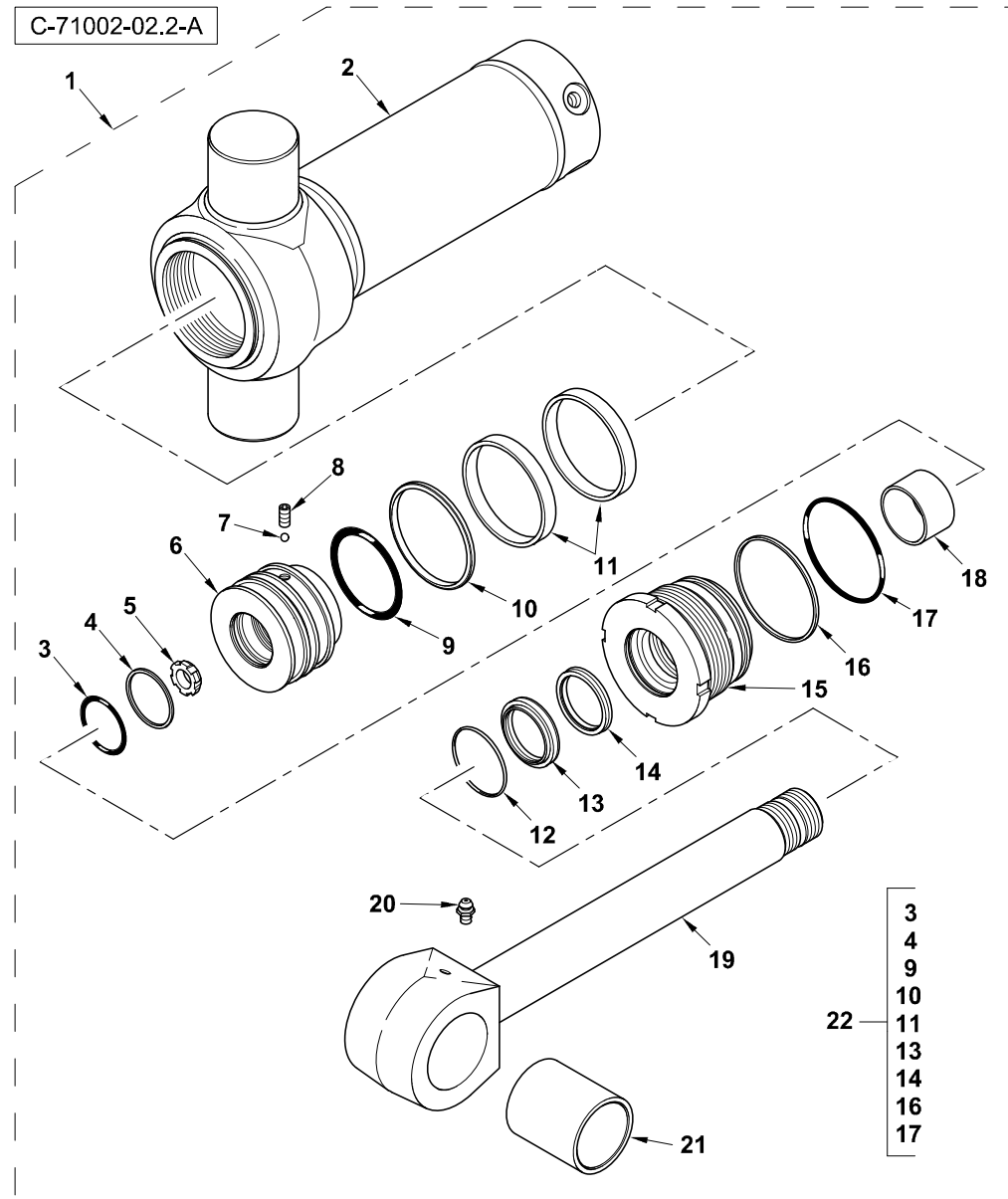
C-71002-02.1-A





Item	Part No.	Qty.	English	French	German	Spanish	Remarks
1	3622124M94	1	Cylinder Slew RH	L´Hie Hydraulique	Zylinder Hydr.	Gato, Conj.	
1	3622137M94	1	Cylinder Slew LH	L´Hie Hydraulique	Zylinder Hydr.	Gato, Conj.	
2	3623363M93	1	Barrel Assy	Cylindre De Vérin	Zylinderrohr	Cilindro De Gato	
2	3623350M93	1	Barrel Assy	Cylindre De Vérin	Zylinderrohr	Cilindro De Gato	
3	3623369M1	1	Plug	Bouchon	Stopfen	Tapón	
4	3186587M1	1	Snap Ring	Anneau D´Arrêt	Sprengring	Anillo De Resorte	
5	3186586M1	1	Ring Cushioning	Anneau	Ring	Aro	
6	3485892M1	1	Guide Ring Piston	Bague D¿Étanchéité	Dichtungsring	Anillo, Estanqueidad	
7	3485245M91	1	Seal Assy Piston	Joint Ass.	Dichtung Kplt	Junta, Conj.	
8	3485258M1	1	Ring Pressure	Joint	Dichtung	Junta	
9	3485892M1	1	Guide Ring Piston	Bague D¿Étanchéité	Dichtungsring	Anillo, Estanqueidad	
10	3402928M1	1	Screw, Socket Head - Piston Locating	Vis Tête Hex	Zylinderschraube	Tornillo	
11	3623361M1	1	Piston	Piston	Kolben	Pistón De Gato	
12	377328X1	1	O-Ring	Joint Torique	O-Ring	Junta De Tipo O	
13	359193X1	1	O-Ring	Joint Torique	O-Ring	Junta De Tipo O	
14	1606735M1	1	Ring Back-Up	Contre Bague	Stützring	ContraJunta	
15	3487207M1	1	O-Ring	Joint Torique	O-Ring	Junta De Tipo O	
16	1608541M1	1	Ring Retaining	Anneau De Retenue	Befestigungsring	Anillo De Retención	
17	3623362M1	1	Bearing Cylinder	Roulement	Lager	Palier De Gato	
18	3491486M1	1	Bush, Piston Rod/Gland	Douille	Büchse	Anillo	
19	3443341M1	1	Ring Buffer	Bague D¿Étanchéité	Dichtungsring	Anillo, Estanqueidad	
20	1606464M1	1	Seal	Joint D´Arbre	Wellendichtring	Junta	
21	1606575M1	1	Wiper Ring	Anneau	Ring	Junta Raspador	
22	3623351M91	1	Piston Rod Assy	Tige De Vérin	Kolbenstange	Vástago Cilindro	
23	#ROD, PISTON	1	Rod, Piston	Rod, Piston	Rod, Piston	Rod, Piston	Ref. 22
24	3623360M1	2	Bush, Hydr. Cylinder	Douille	Buechse	Anillo	
25	13811X	1	Grease Nipple	Nipple De Graissage	Schmiernippel	Engrasador	
26	3623368M91	1	Kit Seal	Jeu Etancheite	Dichtringsatz	Juego De Juntas	

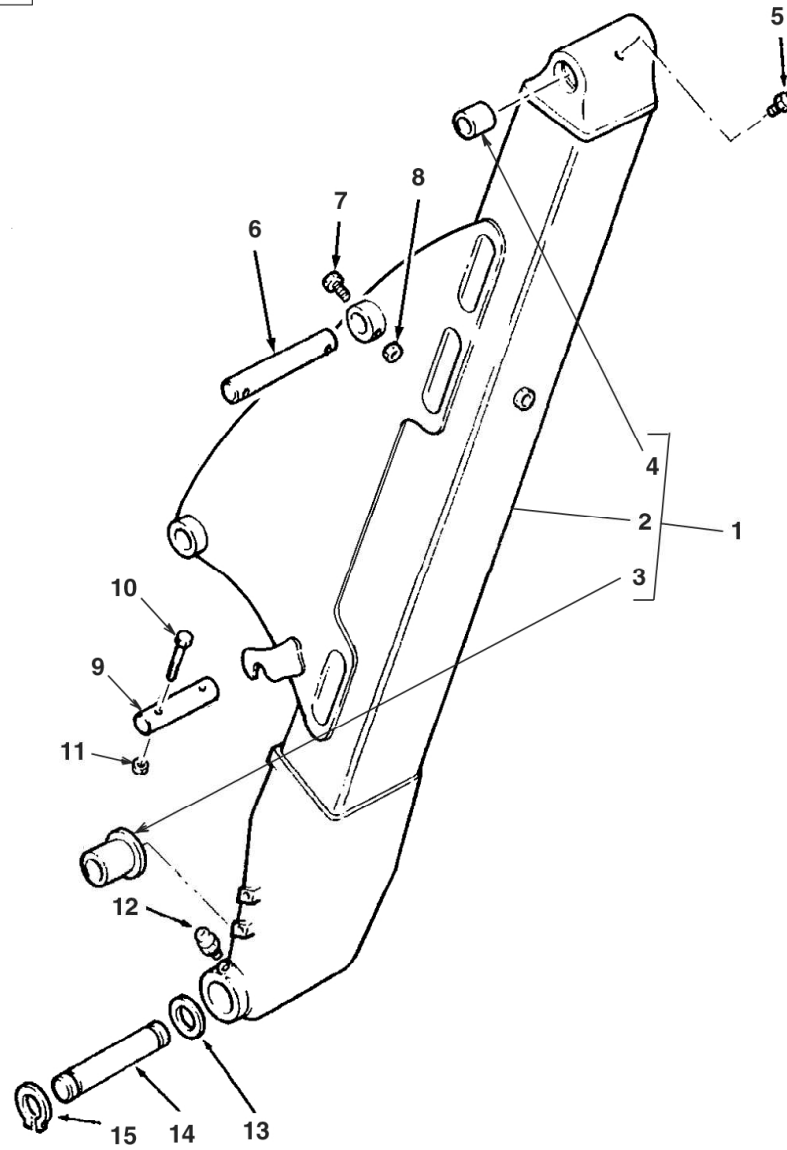




Item	Part No.	Qty.	English	French	German	Spanish	Remarks
1	6111073M91GY03	2	Cylinder Slew	Cylindre	Zylinder	Cilindro	
2	6195201M91GY03	1	Tube - S/A (Terex Grey)	Tube - S/A (Terex Grey)	Tube - S/A (Terex Grey)	Tube - S/A (Terex Grey)	
3	6195193M1	1	O-Ring	O-Ring	O-Ring	O-Ring	
4	6194549M1	1	Ring - Back Up	Contre Bague	Stutzring	ContraJunta	
5	6195179M1	1	Ring - Cushioning	Ring - Cushioning	Ring - Cushioning	Ring - Cushioning	
6	6195196M1	1	Piston	Piston	Piston	Piston	
7	6195182M1	1	Ball - Steel Ch. Alloy	Ball - Steel Ch. Alloy	Ball - Steel Ch. Alloy	Ball - Steel Ch. Alloy	
8	6195199M1	1	Screw - Set	Screw - Set	Screw - Set	Screw - Set	
9	6195186M1	1	O-Ring	O-Ring	O-Ring	O-Ring	
10	6194635M1	1	Seal - Piston	Joint Étanchéité	Dichtring	Junta	
11	6194634M1	1	Bearing - Piston	Coussinet	Lager	Teniendo - Pistón	
12	6194603M1	1	Ring - Snap	Fermeoir	Sprengring	Anillo De Resorte	
13	6194611M1	1	Wiper	Essuyeur	Wischer	Raspador, Escobilla	
14	6195194M1	1	Seal - Rod	Seal - Rod	Seal - Rod	Seal - Rod	
15	6195197M1	1	Cover - Head End	Cover - Head End	Cover - Head End	Cover - Head End	
16	6194641M1	1	Ring - Back Up	Contre Bague	Stutzring	ContraJunta	
17	6195189M1	1	O-Ring	O-Ring	O-Ring	O-Ring	
18	6195195M1	1	Bush - Bimetal	Bush - Bimetal	Bush - Bimetal	Bush - Bimetal	
19	6195200M91	1	Piston Rod - S/A	Piston Rod - S/A	Piston Rod - S/A	Piston Rod - S/A	
20	6194542M1	1	Nipple - Grease	Graisser Coude	Nippel	Manguito, Engrasador	
21	6195198M1	2	Bush	Bush	Bush	Bush	
22	6195202M91	1	Seal Kit	Jeu Etancheite	Dichtringsatz	Juego Retenes	



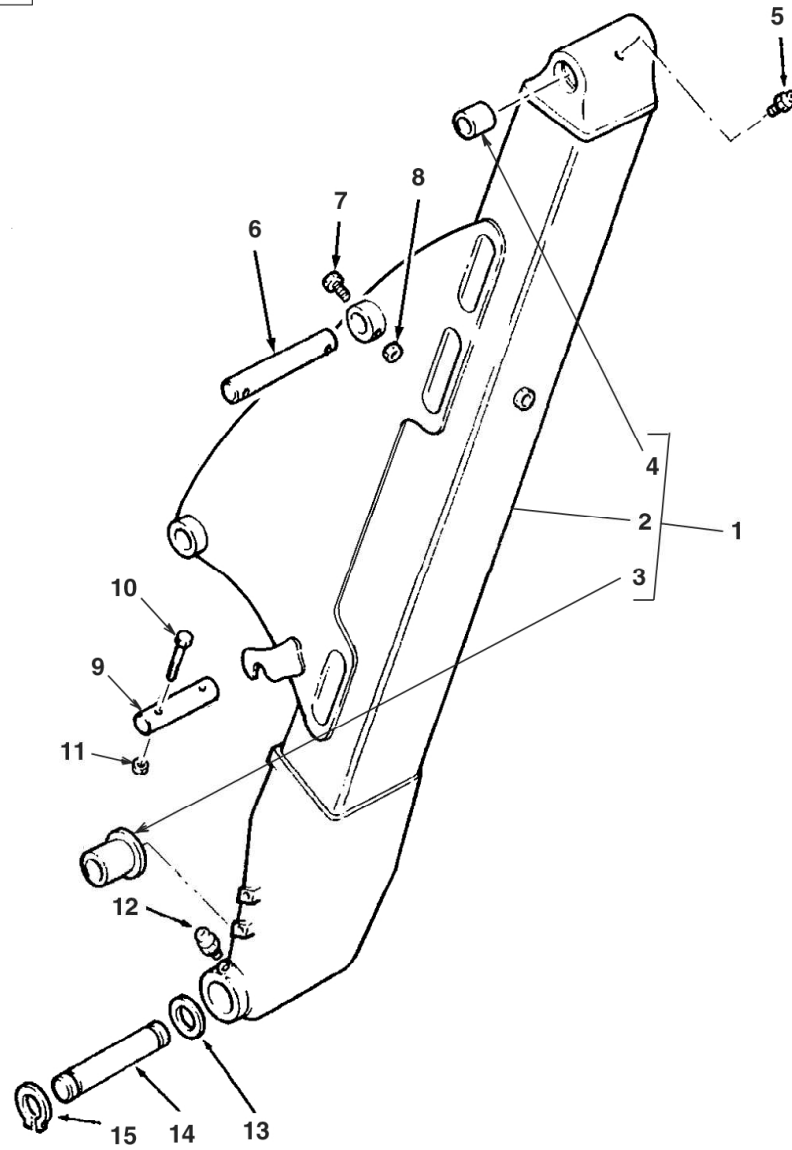
C-72001-01.1-A



Item	Part No.	Qty.	English	French	German	Spanish	Remarks
1	6102873M93	1	Boom 4.5m	Flèche	Ausleger	Pluma	
2	#BOOM	1	Boom	Boom	Boom	Boom	Ref. 1
3	3501015M2	2	Bush, Lower Boom Mounting	Douille	Buechse	Anillo	
4	3500009M3	2	Bush, Boom/Dipper Mounting	Douille	Buechse	Anillo	
5	339608X1	1	Grease Nipple - M10 X 1 (Zinc)	Nipple De Graissage	Schmiernippel	Engrasador	
6	6102877M2	2	Pin Large	Axe	Bolzen	Pasador	
7	3501289M1	2	Bolt M10-110 Z5s	Boulon	Sechskantschraube	Tornillo	
8	1440329X1	2	Nut, Hex. - Nyloc, M10	Ecrou Blocage	Flachmutter M10	Tuerca De Retención	
9	3522697M2	1	Pin, 45mm X 200 - Boom Ram/Pivot Post	Axe	Bolzen	Pasador	
10	1442487X1	1	Bolt M10-130 Z5s	Boulon	Schraube	Tornillo	
11	1440329X1	1	Nut, Hex. - Nyloc, M10	Ecrou Blocage	Flachmutter M10	Tuerca De Retención	
12	339608X1	1	Grease Nipple - M10 X 1 (Zinc)	Nipple De Graissage	Schmiernippel	Engrasador	
13	3519378M1	2	Washer 2.00-2.75 Zn	Rondelle	Scheibe	Arandela	
14	3522698M2	1	Pin Boom Pivot	Axe	Bolzen	Pasador	
15	391129X1	2	Circlip - External - 50mm	Segment D'Arrêt	Sicherungsring	Anillo De Resorte	



C-72002-01.1-A



Item	Part No.	Qty.	English	French	German	Spanish	Remarks
1	6102875M93	1	Boom Assy 4.9m	Flèche	Ausleger	Pluma	
2	#BOOM	1	Boom	Boom	Boom	Boom	Ref. 1
3	3501015M2	2	Bush, Lower Boom Mounting	Douille	Buechse	Anillo	
4	3500009M3	2	Bush, Boom/Dipper Mounting	Douille	Buechse	Anillo	
5	339608X1	1	Grease Nipple - M10 X 1 (Zinc)	Nipple De Graissage	Schmiernippel	Engrasador	
6	6102877M2	2	Pin Large	Axe	Bolzen	Pasador	
7	3501289M1	2	Bolt M10-110 Z5s	Boulon	Sechskantschraube	Tornillo	
8	1440329X1	2	Nut, Hex. - Nyloc, M10	Ecrou Blocage	Flachmutter M10	Tuerca De Retención	
9	3522697M2	1	Pin, 45mm X 200 - Boom Ram/Pivot Post	Axe	Bolzen	Pasador	
10	1442487X1	1	Bolt M10-130 Z5s	Boulon	Schraube	Tornillo	
11	1440329X1	1	Nut, Hex. - Nyloc, M10	Ecrou Blocage	Flachmutter M10	Tuerca De Retención	
12	339608X1	1	Grease Nipple - M10 X 1 (Zinc)	Nipple De Graissage	Schmiernippel	Engrasador	
13	3519378M1	2	Washer 2.00-2.75 Zn	Rondelle	Scheibe	Arandela	
14	3522698M2	1	Pin Boom Pivot	Axe	Bolzen	Pasador	
15	391129X1	2	Circlip - External - 50mm	Segment D'Arrêt	Sicherungsring	Anillo De Resorte	



**Not Illustrated**

**Non Illustrée**

**Nicht Abgebildet**

**Non Illustrato**

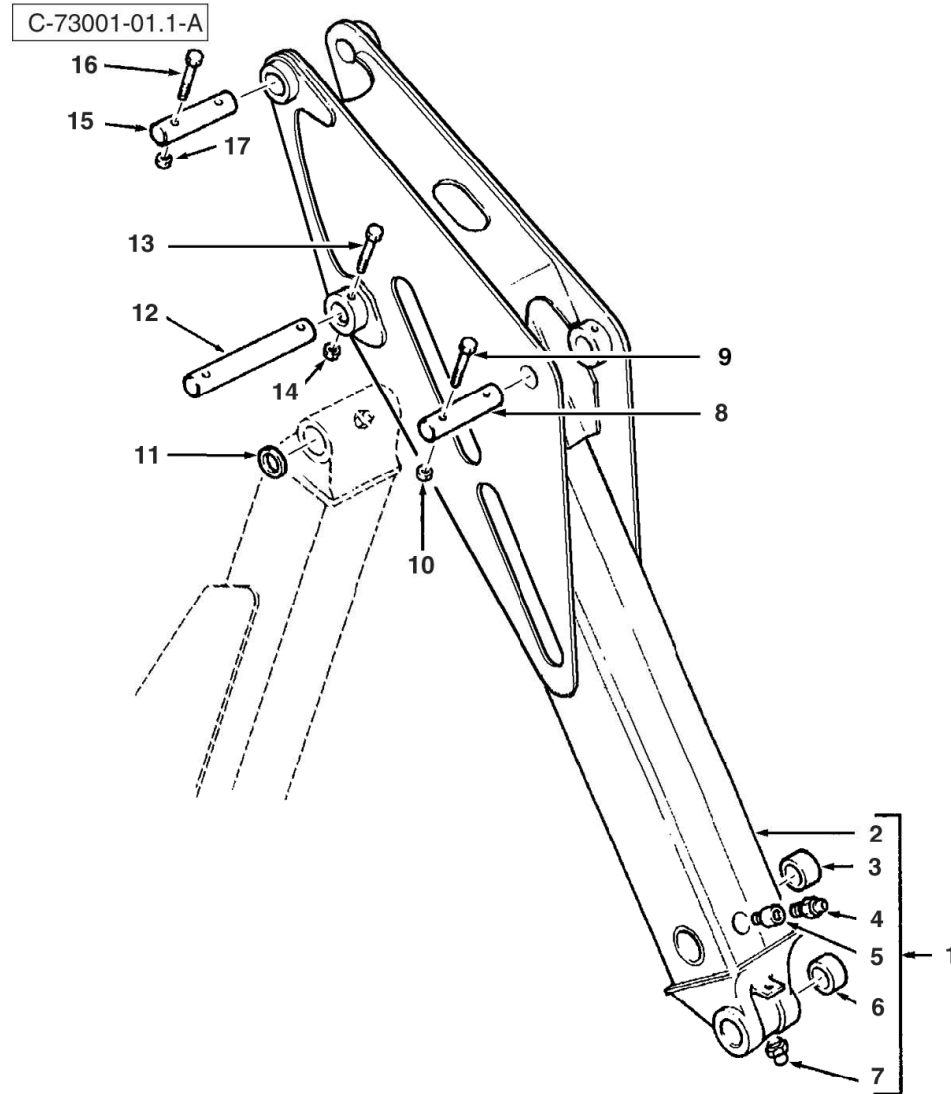
**No Ilustrado**



---

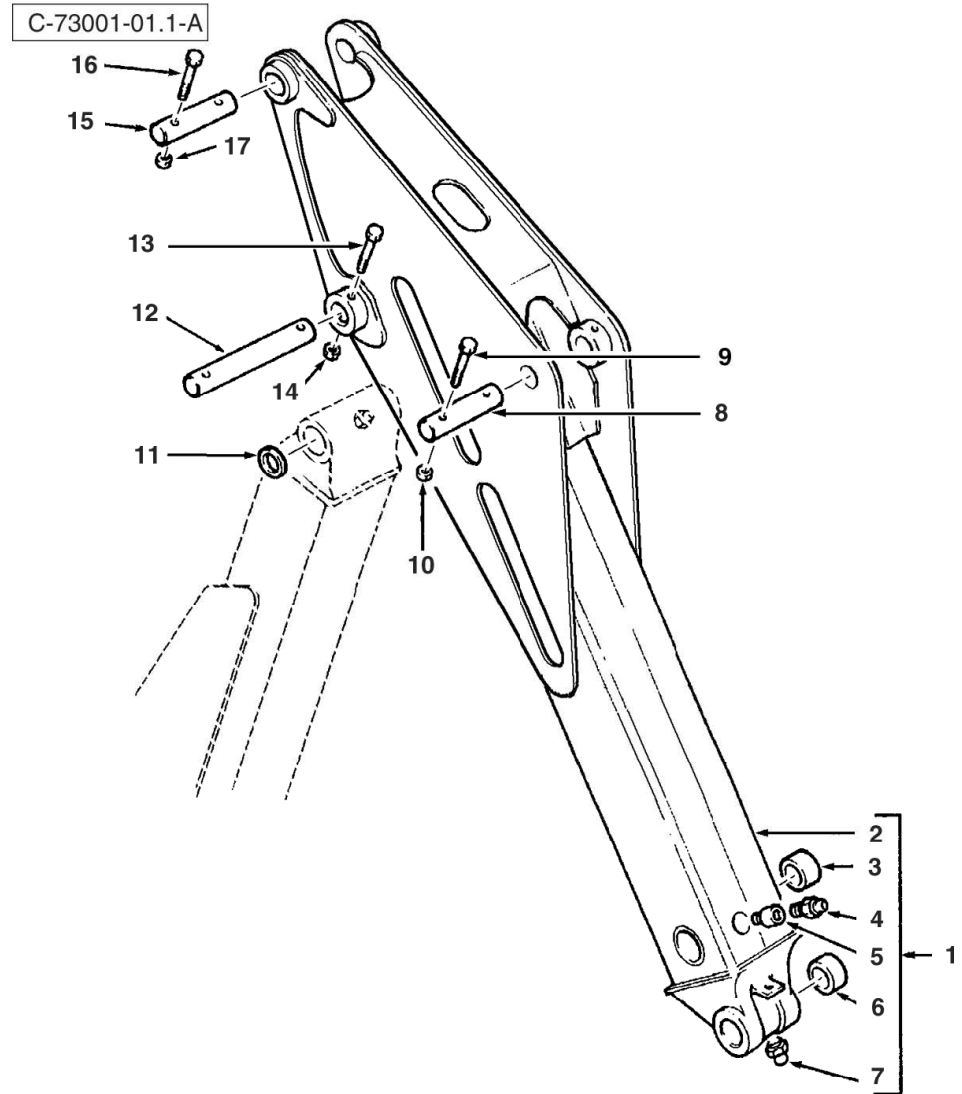
Item	Part No.	Qty.	English	French	German	Spanish	Remarks
------	----------	------	---------	--------	--------	---------	---------

---



Item	Part No.	Qty.	English	French	German	Spanish	Remarks
1	6100677M93	1	Dipper - Standard Ferrec End	Bras De Pelle	Löffelstiel	Balancín, Conj.	
2	#DIPPER	1	Dipper	Dipper	Dipper	Dipper	Ref. 1
3	3500009M3	2	Bush, Boom/Dipper Mounting	Douille	Buechse	Anillo	
4	339608X1	1	Grease Nipple - M10 X 1 (Zinc)	Nipple De Graissage	Schmiernippel	Engrasador	
5	3504012M1	1	Adaptor - Grease Nipple	Adaptateur	Reduziernippel	Adaptador	
6	3500009M3	2	Bush, Boom/Dipper Mounting	Douille	Buechse	Anillo	
7	339608X1	1	Grease Nipple - M10 X 1 (Zinc)	Nipple De Graissage	Schmiernippel	Engrasador	
8	3522694M2	1	Pin Dippr Lift Ram Top	Axe	Bolzen	Pasador	
9	3501289M1	1	Bolt M10-110 Z5s	Boulon	Sechskantschraube	Tornillo	
10	1440329X1	1	Nut, Hex. - Nyloc, M10	Ecrou Blocage	Flachmutter M10	Tuerca De Retención	
11	3501027M1	2	Washer M44-65-5 R	Rondelle	Scheibe	Arandela	
12	3522693M2	1	Pin Dipper/Boom Pivot	Axe	Bolzen	Pasador	
13	3501289M1	2	Bolt M10-110 Z5s	Boulon	Sechskantschraube	Tornillo	
14	1440329X1	2	Nut, Hex. - Nyloc, M10	Ecrou Blocage	Flachmutter M10	Tuerca De Retención	
15	3522693M2	1	Pin Dipper/Boom Pivot	Axe	Bolzen	Pasador	
16	3501289M1	2	Bolt M10-110 Z5s	Boulon	Sechskantschraube	Tornillo	
17	1440329X1	2	Nut, Hex. - Nyloc, M10	Ecrou Blocage	Flachmutter M10	Tuerca De Retención	

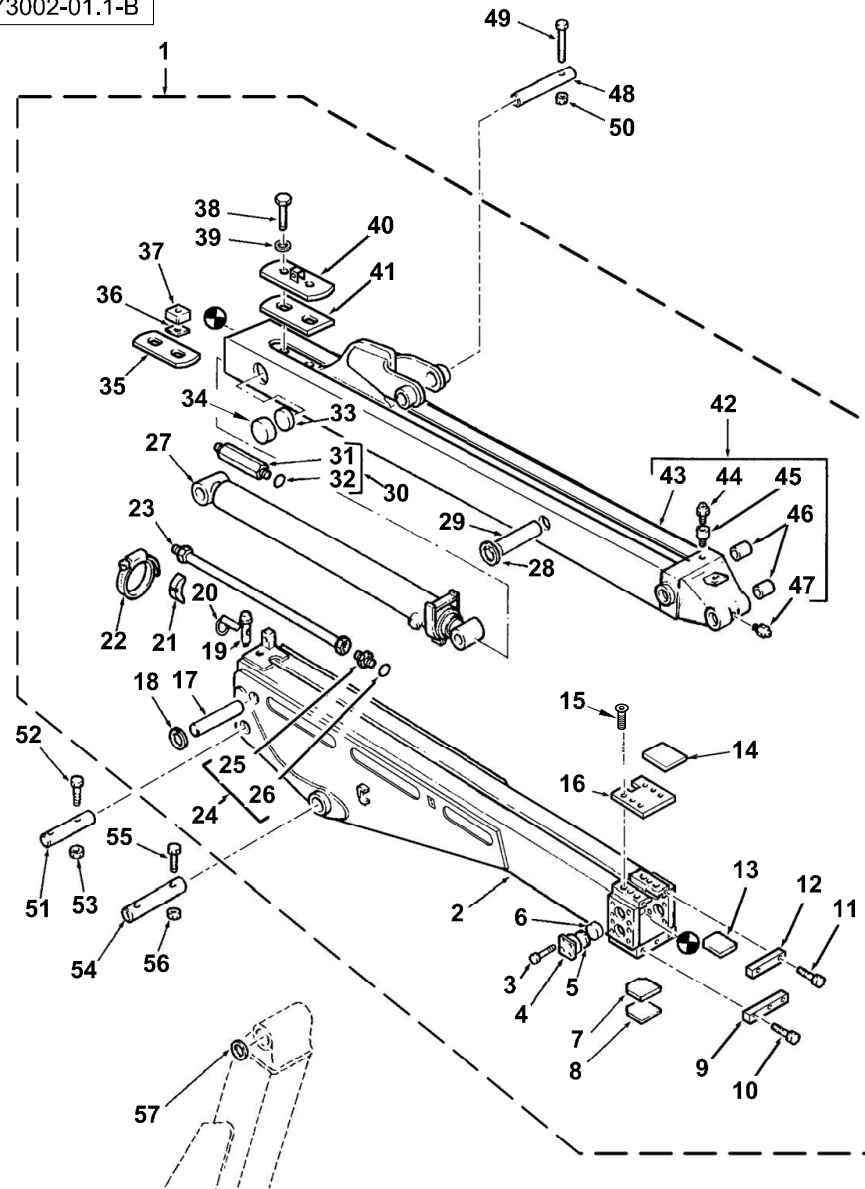




Item	Part No.	Qty.	English	French	German	Spanish	Remarks
1	6100677M93	1	Dipper - Standard Ferrec End	Bras De Pelle	Löffelstiel	Balancín, Conj.	
2	#DIPPER	1	Dipper	Dipper	Dipper	Dipper	Ref. 1
3	3500009M3	2	Bush, Boom/Dipper Mounting	Douille	Buechse	Anillo	
4	339608X1	1	Grease Nipple - M10 X 1 (Zinc)	Nipple De Graissage	Schmiernippel	Engrasador	
5	3504012M1	1	Adaptor - Grease Nipple	Adaptateur	Reduziernippel	Adaptador	
6	3500009M3	2	Bush, Boom/Dipper Mounting	Douille	Buechse	Anillo	
7	339608X1	1	Grease Nipple - M10 X 1 (Zinc)	Nipple De Graissage	Schmiernippel	Engrasador	
8	3522694M2	1	Pin Dippr Lift Ram Top	Axe	Bolzen	Pasador	
9	3501289M1	1	Bolt M10-110 Z5s	Boulon	Sechskantschraube	Tornillo	
10	1440329X1	1	Nut, Hex. - Nyloc, M10	Ecrou Blocage	Flachmutter M10	Tuerca De Retención	
11	3501027M1	2	Washer M44-65-5 R	Rondelle	Scheibe	Arandela	
12	3522693M2	1	Pin Dipper/Boom Pivot	Axe	Bolzen	Pasador	
13	3501289M1	2	Bolt M10-110 Z5s	Boulon	Sechskantschraube	Tornillo	
14	1440329X1	2	Nut, Hex. - Nyloc, M10	Ecrou Blocage	Flachmutter M10	Tuerca De Retención	
15	3522693M2	1	Pin Dipper/Boom Pivot	Axe	Bolzen	Pasador	
16	3501289M1	2	Bolt M10-110 Z5s	Boulon	Sechskantschraube	Tornillo	
17	1440329X1	2	Nut, Hex. - Nyloc, M10	Ecrou Blocage	Flachmutter M10	Tuerca De Retención	



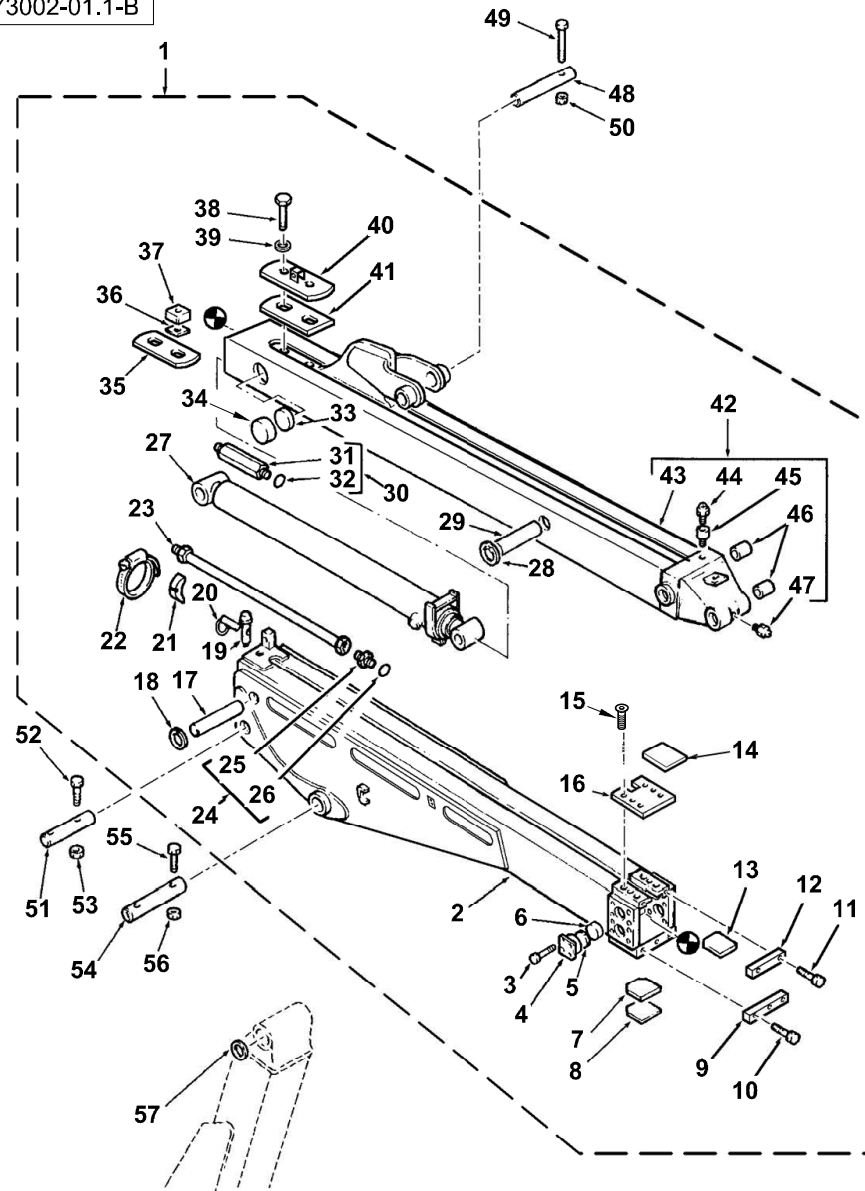
C-73002-01.1-B



Item	Part No.	Qty.	English	French	German	Spanish	Remarks
1	6109586M91	1	Extendable Dipper 4.75 (Fermec)	Ensemble De Balancier	Löffelarm Kpl.	Balancín, Conj.	
2	6100743M96	1	Housing W/A - Ext. Dipper	Carter	Gehäuse	Cárter, Conj.	
3	3009492X1	16	Bolt - Hex. M10 X 25	Boulon M10 X 25	Schraube M10 X 25	Tornillo	
4	6106121M1	4	Casting-Wear Pad Housing	Carter	Gehäuse	Cárter	
5	3502476M1	0	Shim W/Pad(As Req'd) Xd	Cale	Ausgleichsscheibe	Calce	
5	3510645M1	0	Shim As Required Xd	Cale	Ausgleichsscheibe	Calce	
6	3502475M2	4	Wear Pad - Extending Dipper	Patin D'Usure	Verschleißkissen	Patín De Desgaste	
7	3501658M2	1	Pad-Collar Wear	Patin D'Usure	Verschleißkissen	Patín De Desgaste	
8	3502939M1	0	Shim As Required X1	Cale	Ausgleichsscheibe	Calce	
8	3502938M1	0	Shim As Required X1	Cale	Ausgleichsscheibe	Calce	
8	3502940M1	0	Shim, 1mm - Extending Dipper	Cale	Ausgleichsscheibe	Calce	
8	3510862M1	0	Shim As Required Xd	Cale	Ausgleichsscheibe	Calce	
9	6106164M1	1	Plate, Lower Scraper - Ext. Dipper	Plaque	Platte	Placa	
10	6007797M1	3	Screw M12 X 30	Vis	Schraube	Tornillo	
11	6007797M1	2	Screw M12 X 30	Vis	Schraube	Tornillo	
12	6102971M1	1	Bar-Top Wear Pad Retainer	Dispositif De Retenue	Befestigungsteil	Fijacion	
13	3501658M2	1	Pad-Collar Wear	Patin D'Usure	Verschleißkissen	Patín De Desgaste	
14	6108692M1	4	Decal - Operators Instruction Book	Adhésif	Aufkleber	Adhesivo	
15	3009464X1	6	Screw : M12 X 35 - ISO 10.9 ( Zinc )	Vis - M12 X 35	Schraube - M12 X 35	Tornillo	
16	6111887M1	1	Plate	Plaque	Platte	Placa	
17	3501624M1	1	Pin 31.7 X 195mm	Axe	Bolzen	Pasador	
18	355973X1	2	Ring Snap	Segment D'Arrêt	Sicherungsring	Anillo De Resorte	
19	6108900M1	1	Pin, Transport Lock - Extending Dipper	Goupille	Bolzen	Pasador	
20	810285M92	1	Linch Pin & Ring	Goupille D'Arrêt	Klappstecker	Pasador De Parada	
21	D142787	2	Saddle (See 142787d)	Selle	Sattel	Bloque De Caucho	
22	3517728M1	2	Clip Jubilee 80-100	Bride Pour Tutaux	Schlauchschelle	Clip	
23	6100599M91	1	Tube Assy	Ensemble Tube	Rohr Kpl	Conjunto De Tubería	
24	835013M91	1	Connector 7/8 Jic	Raccord	Schraubanschluss	Conexión, Conj.	
25	#UNION	1	Union	Union	Union	Union	Ref. 24
26	835024M1	1	Ring O - Boa	Joint Torique	O Ring	Junta De Tipo O	



C-73002-01.1-B

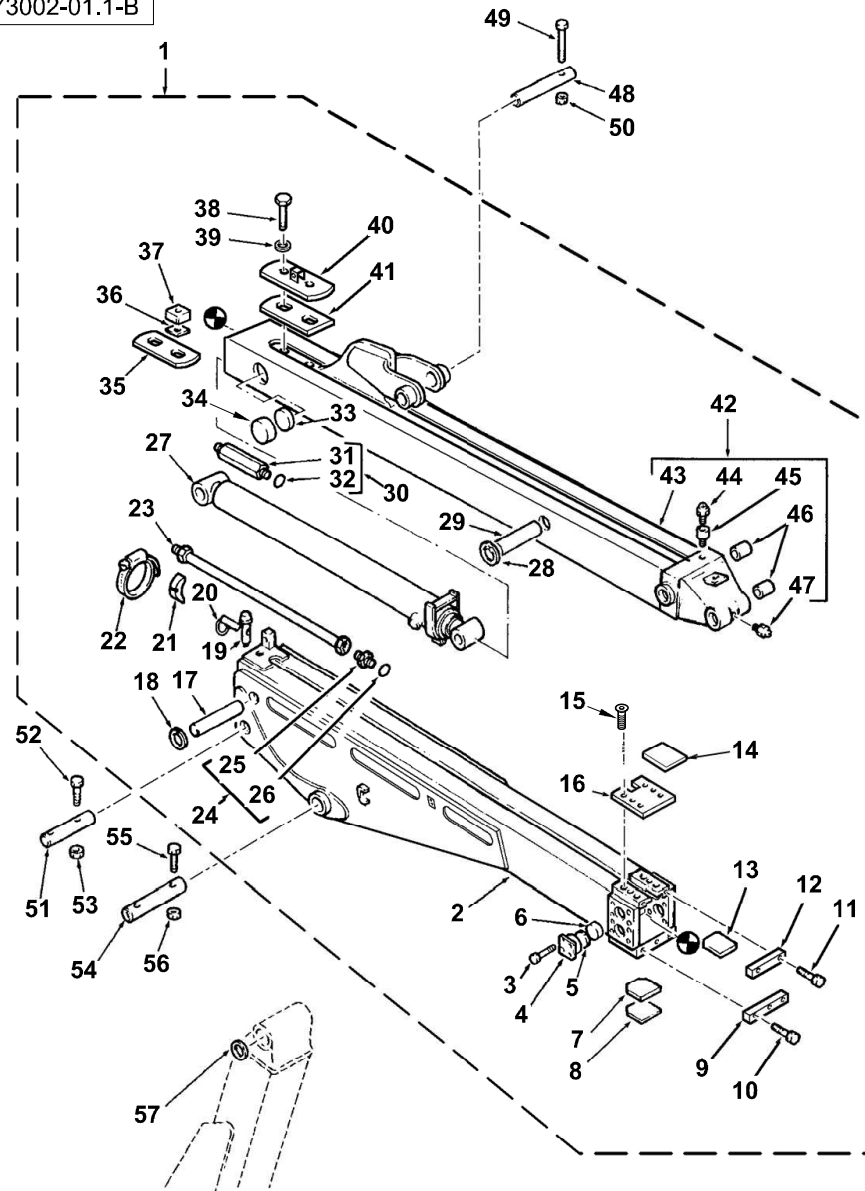




Item	Part No.	Qty.	English	French	German	Spanish	Remarks
27	5000127M91	1	Cylinder Extendable Dipper	L´Hie Hydraulique	Zylinder Hydr.	Gato, Conj.	73002c02.1 1
28	355973X1	2	Ring Snap	Segment D´Arrêt	Sicherungsring	Anillo De Resorte	
29	3501625M1	1	Pin Cyl Rod End X1	Axe	Bolzen	Pasador	
30	6100603M91	1	Connector Long	Borne	Doppelnippel	Unión	
31	#UNION	1	Union	Union	Union	Union	Ref. 30
32	835024M1	1	Ring O - Boa	Joint Torique	O Ring	Junta De Tipo O	
33	3510644M1	0	Shim As Required X1	Cale	Ausgleichsscheibe	Calce	
33	3502477M1	0	Shim-W/Pad(As Reqd)Xd	Cale	Ausgleichsscheibe	Calce	
34	3502473M2	2	Wear Pad, Inner - Ext. Dipper	Patin D¿Usure	Verschleißkissen	Patín De Desgaste	Torque Figures
35	6102559M1	1	Wear Pad Lower	Patin D¿Usure	Verschleißkissen	Patín De Desgaste	
36	3502975M2	2	Shim 2.00mm X1	Cale	Ausgleichsscheibe	Calce	Bottom
36	3502976M2	2	Shim 3.00mm X1	Cale	Ausgleichsscheibe	Calce	
36	3501975M2	2	Shim 1.00mm Xd X1	Cale	Ausgleichsscheibe	Calce	Top
37	3501655M2	2	Pad Spacer Xd	Entretoise	Distanzstück	Traviesa	
38	3517491M1	2	Bolt M24-90 10.9	Goupille	Sechskantschraube	Tornillo	
39	896-11024	2	Washer-Harden-M24	Rondelle - M24	Scheibe - M24	Arandela	
40	6102519M91	1	Cover Plate Assy	Plaque	Platte	Placa	
41	6102518M1	1	Wear Pad Upper	Patin D¿Usure	Verschleißkissen	Patín De Desgaste	
42	3504158M98	1	Extension Assy-Fermecc	Ensemble De Rallonge	Verlängerung Kpl.	Extensión, Conj.	
43	#BODY	1	Body	Body	Body	Body	Ref. 42
44	339608X1	1	Grease Nipple - M10 X 1 (Zinc)	Nipple De Graissage	Schmiernippel	Engrasador	
45	3504012M1	1	Adaptor - Grease Nipple	Adaptateur	Reduziernippel	Adaptador	
46	3500009M3	4	Bush, Boom/Dipper Mounting	Douille	Buechse	Anillo	
47	339608X1	1	Grease Nipple - M10 X 1 (Zinc)	Nipple De Graissage	Schmiernippel	Engrasador	
48	3522720M2	1	Pin Dgr Bkt Ram Extbl	Goupille	Bolzen	Pasador	
49	3501289M1	1	Bolt M10-110 Z5s	Boulon	Sechskantschraube	Tornillo	
50	1440329X1	1	Nut, Hex. - Nyloc, M10	Ecrou Blocage	Flachmutter M10	Tuerca De Retención	
51	3522693M2	1	Pin Dipper/Boom Pivot	Axe	Bolzen	Pasador	
52	3501289M1	2	Bolt M10-110 Z5s	Boulon	Sechskantschraube	Tornillo	
53	1440329X1	2	Nut, Hex. - Nyloc, M10	Ecrou Blocage	Flachmutter M10	Tuerca De Retención	

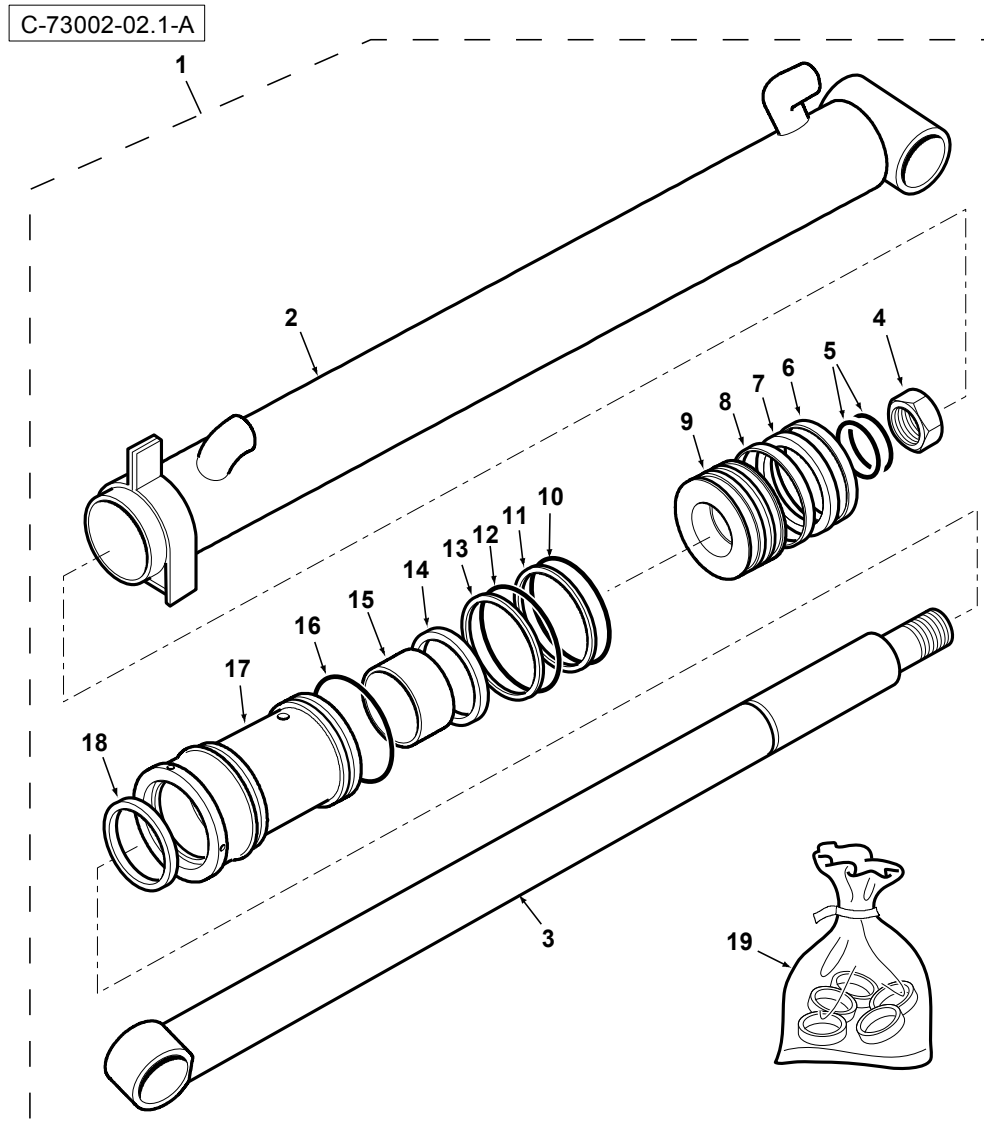


C-73002-01.1-B



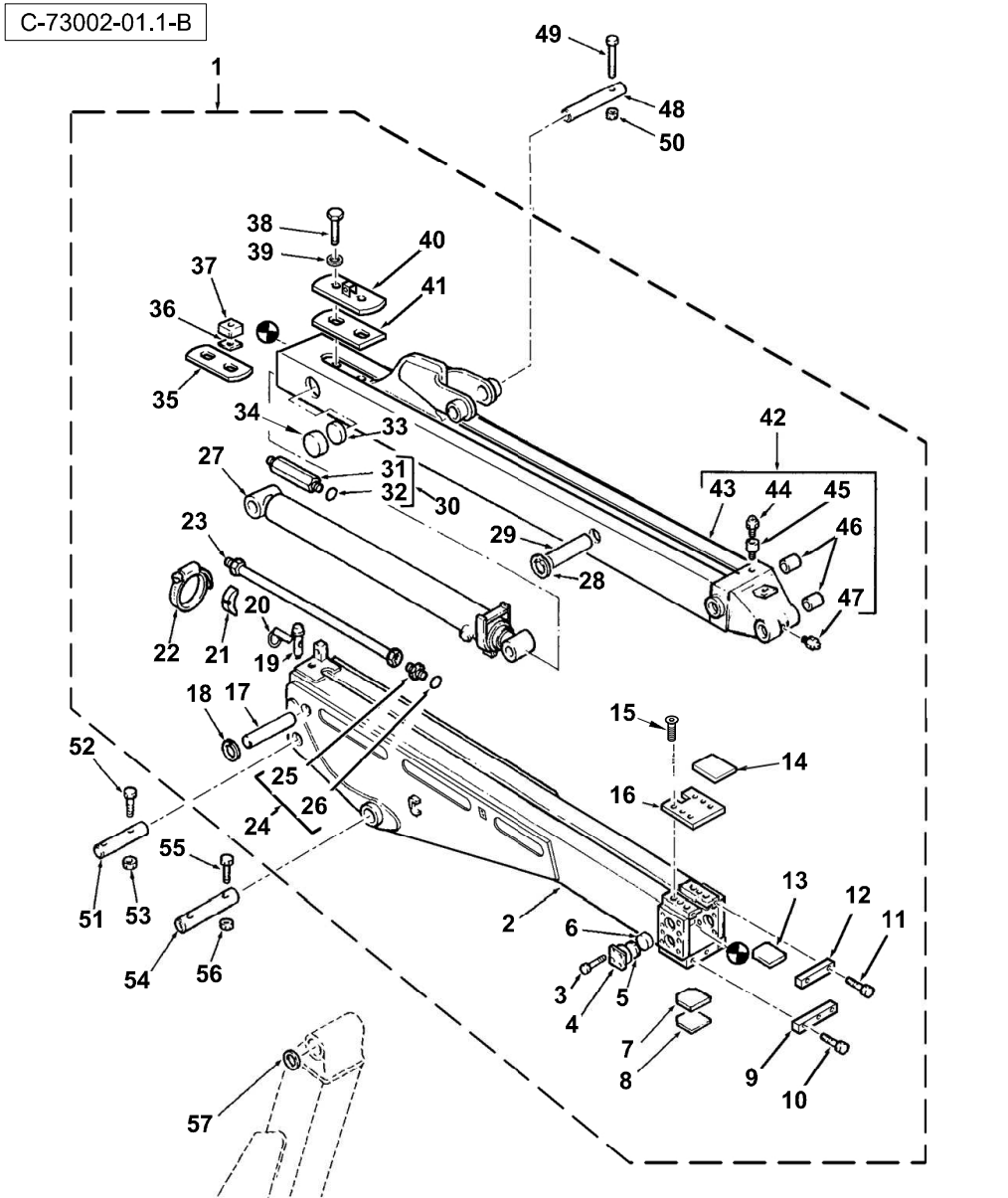
Item	Part No.	Qty.	English	French	German	Spanish	Remarks
54	3522693M2	1	Pin Dipper/Boom Pivot	Axe	Bolzen	Pasador	
55	3501289M1	2	Bolt M10-110 Z5s	Boulon	Sechskantschraube	Tornillo	
56	1440329X1	2	Nut, Hex. - Nyloc, M10	Ecrou Blocage	Flachmutter M10	Tuerca De Retención	
57	3501027M1	2	Washer M44-65-5 R	Rondelle	Scheibe	Arandela	





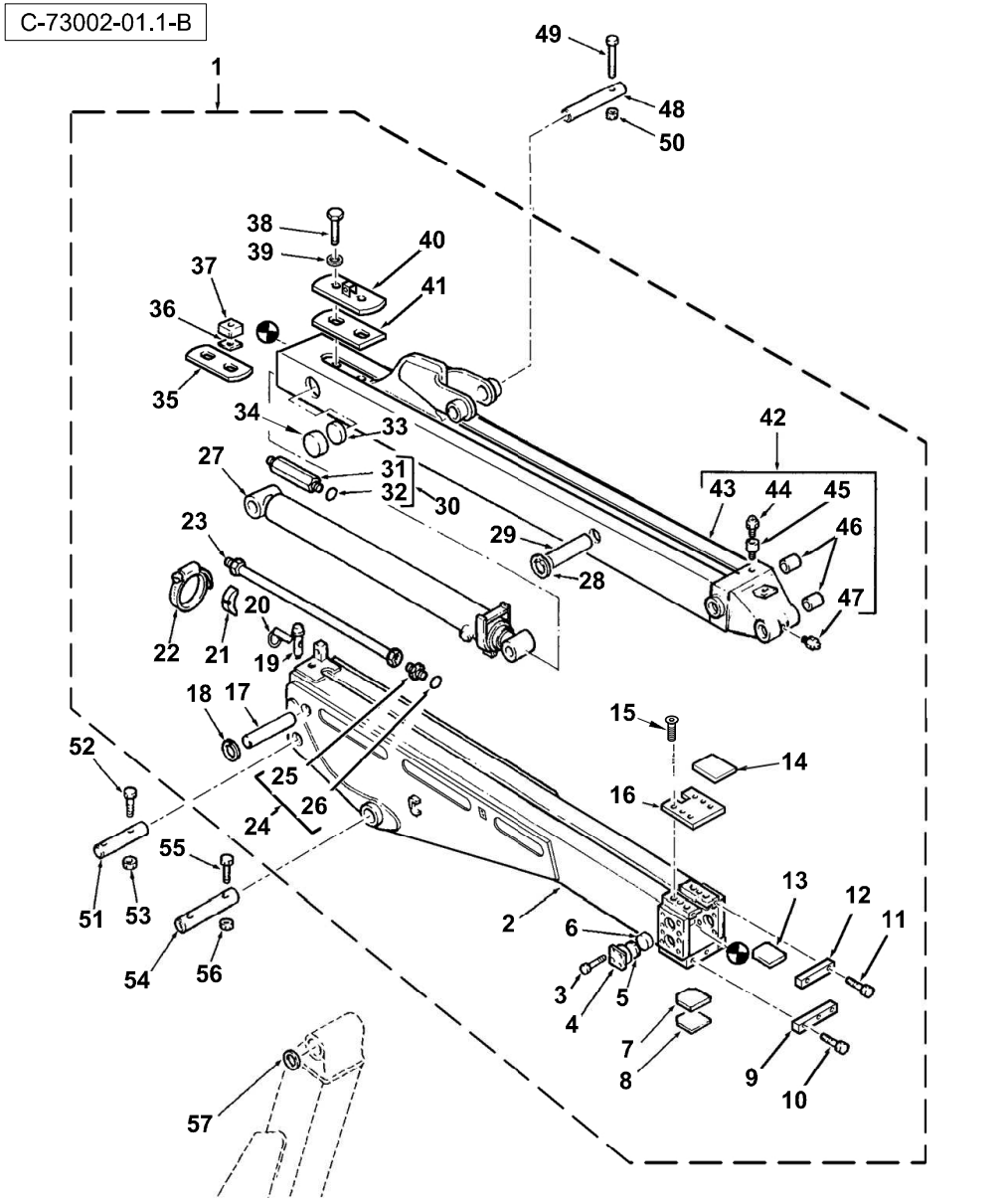
Item	Part No.	Qty.	English	French	German	Spanish	Remarks
1	5000127M91	1	Cylinder Extendable Dipper	L´Hie Hydraulique	Zylinder Hydr.	Gato, Conj.	73002c01.1 28
2	5003920M91	1	Barrel Assy	Barrel Assy	Barrel Assy	Barrel Assy	
3	5005266M91	1	Piston Rod Assy	Tige De Vérin	Kolbenstange	Pistón De Gato	
4	1607689M1	1	Lock Nut	Ecrou	Kontermutter	Tuerca De Retención	
5	1748324M1	2	O Ring	Joint Torique	O Ring	Junta De Tipo O	
6	3487078M1	1	Ring - Piston Guide	Anneau	Ring	Aro	
7	3443573M2	1	Seal Piston	Joint	Dichtung	Junta	
8	3487078M1	1	Ring - Piston Guide	Anneau	Ring	Aro	
9	5003929M1	1	Piston	Piston	Kolben	Pistón	
10	1442891X1	1	O-Ring	Joint Torique	O-Ring	Junta De Tipo O	
11	5001306M1	1	Ring, Back-Up	Contre Bague	Stützring	ContraJunta	
12	1441120X1	1	O-Ring	Joint Torique	O-Ring	Junta De Tipo O	
13	1881527M1	1	Ring Backup	Anneau	Ring	Aro	
14	3485976M1	1	Seal-40*55*10	Joint D´Arbre	Wellendichtring	Junta	
15	5001605M1	1	Bearing	Roulement	Lager	Cojinete	
16	3487585M1	1	O Ring	Joint Torique	O Ring	Junta De Tipo O	
17	5004084M91	1	Bearing Assy	Roulement	Radiallager	Cojinete	
18	1605446M1	1	Wiper Ring-40*50*7*10	Racleur	Wischer	Raspador, Escobilla	
19	5005362M91	0	Kit, Seal - Ext. Dipper Cylinder	Jeu Étanchéité	Dichtringsatz	Juego De Juntas	





Item	Part No.	Qty.	English	French	German	Spanish	Remarks
1	6109586M91	1	Extendable Dipper 4.75 (Fermec)	Ensemble De Balancier	Löffelarm Kpl.	Balancín, Conj.	
2	6100743M96	1	Housing W/A - Ext. Dipper	Carter	Gehäuse	Cárter, Conj.	
3	3009492X1	16	Bolt - Hex. M10 X 25	Boulon M10 X 25	Schraube M10 X 25	Tornillo	
4	6106121M1	4	Casting-Wear Pad Housing	Carter	Gehäuse	Cárter	
5	3502476M1	0	Shim W/Pad(As Req'd) Xd	Cale	Ausgleichsscheibe	Calce	
5	3510645M1	0	Shim As Required Xd	Cale	Ausgleichsscheibe	Calce	
6	3502475M2	4	Wear Pad - Extending Dipper	Patin D'Usure	Verschleißkissen	Patín De Desgaste	
7	3501658M2	1	Pad-Collar Wear	Patin D'Usure	Verschleißkissen	Patín De Desgaste	
8	3502939M1	0	Shim As Required X1	Cale	Ausgleichsscheibe	Calce	
8	3502938M1	0	Shim As Required X1	Cale	Ausgleichsscheibe	Calce	
8	3502940M1	0	Shim, 1mm - Extending Dipper	Cale	Ausgleichsscheibe	Calce	
8	3510862M1	0	Shim As Required Xd	Cale	Ausgleichsscheibe	Calce	
9	6106164M1	1	Plate, Lower Scraper - Ext. Dipper	Plaque	Platte	Placa	
10	6007797M1	3	Screw M12 X 30	Vis	Schraube	Tornillo	
11	6007797M1	2	Screw M12 X 30	Vis	Schraube	Tornillo	
12	6102971M1	1	Bar-Top Wear Pad Retainer	Dispositif De Retenue	Befestigungsteil	Fijacion	
13	3501658M2	1	Pad-Collar Wear	Patin D'Usure	Verschleißkissen	Patín De Desgaste	
14	6108692M1	4	Decal - Operators Instruction Book	Adhésif	Aufkleber	Adhesivo	
15	3009464X1	6	Screw : M12 X 35 - ISO 10.9 ( Zinc )	Vis - M12 X 35	Schraube - M12 X 35	Tornillo	
16	6111887M1	1	Plate	Plaque	Platte	Placa	
17	3501624M1	1	Pin 31.7 X 195mm	Axe	Bolzen	Pasador	
18	355973X1	2	Ring Snap	Segment D'Arrêt	Sicherungsring	Anillo De Resorte	
19	6108900M1	1	Pin, Transport Lock - Extending Dipper	Goupille	Bolzen	Pasador	
20	810285M92	1	Linch Pin & Ring	Goupille D'Arrêt	Klappstecker	Pasador De Parada	
21	D142787	2	Saddle (See 142787d)	Selle	Sattel	Bloque De Caucho	
22	3517728M1	2	Clip Jubilee 80-100	Bride Pour Tutaux	Schlauchschelle	Clip	
23	6100599M91	1	Tube Assy	Ensemble Tube	Rohr Kpl	Conjunto De Tubería	
24	835013M91	1	Connector 7/8 Jic	Raccord	Schraubanschluss	Conexión, Conj.	
25	#UNION	1	Union	Union	Union	Union	Ref. 24
26	835024M1	1	Ring O - Boa	Joint Torique	O Ring	Junta De Tipo O	

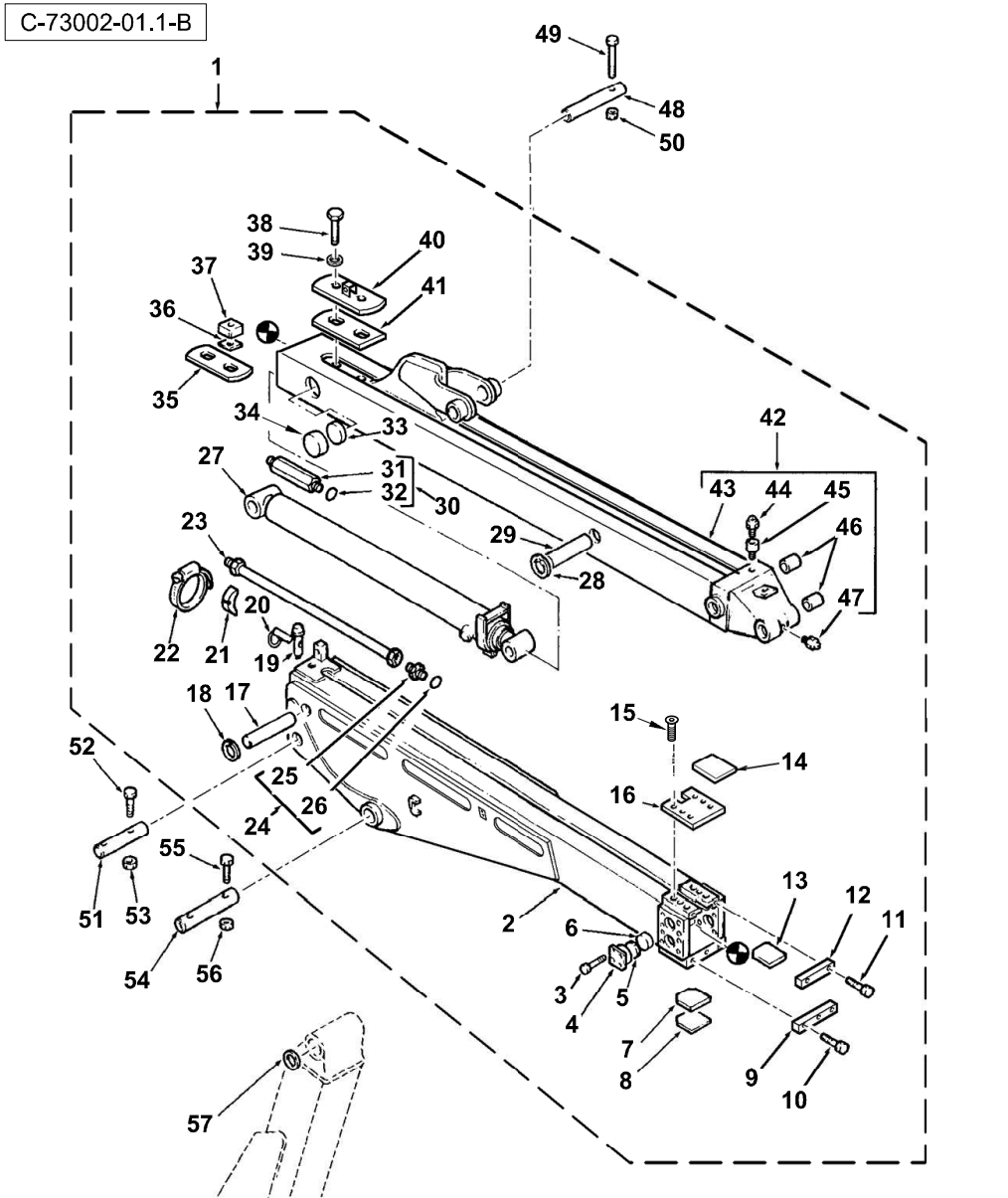






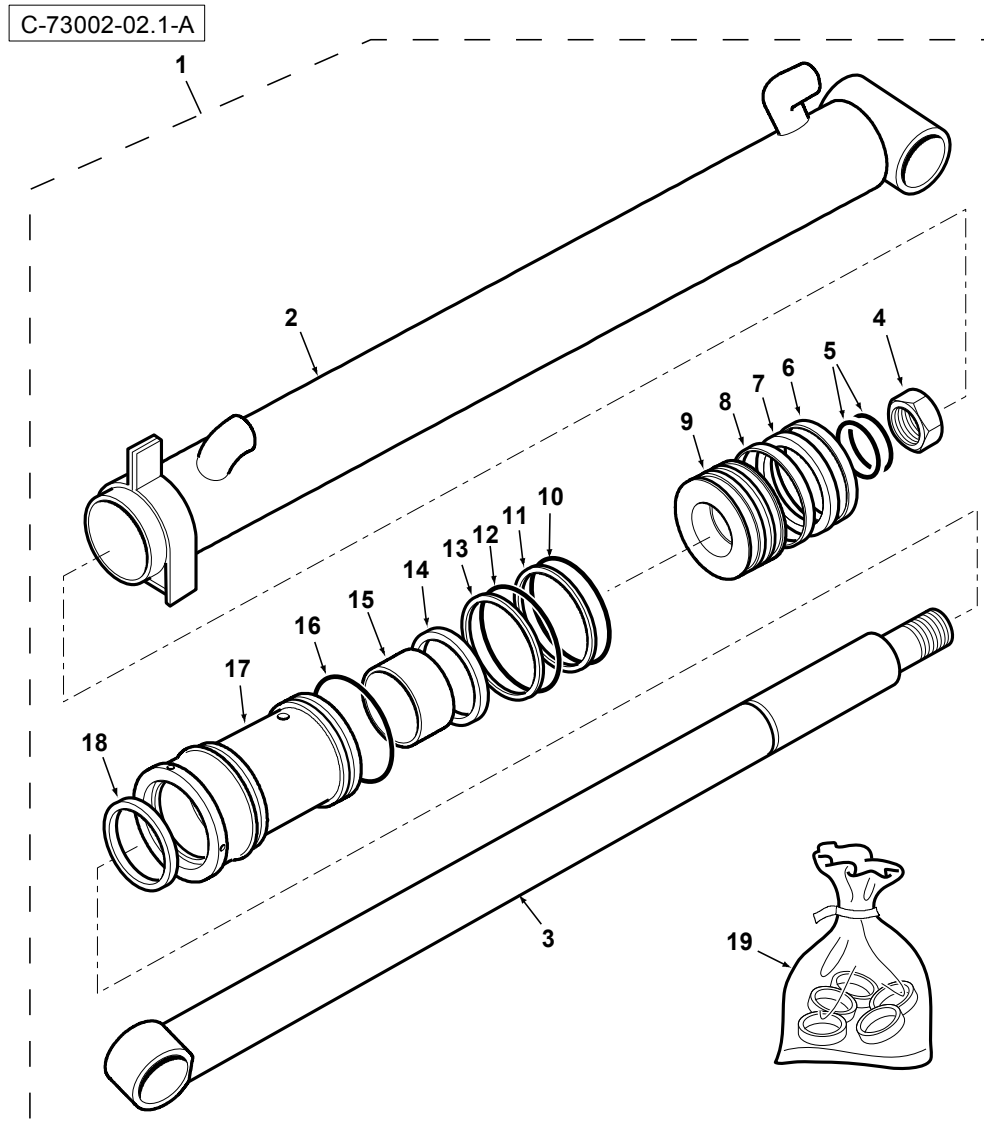
Item	Part No.	Qty.	English	French	German	Spanish	Remarks
27	5000127M91	1	Cylinder Extendable Dipper	L´Hie Hydraulique	Zylinder Hydr.	Gato, Conj.	73002c02.1 1
28	355973X1	2	Ring Snap	Segment D´Arrêt	Sicherungsring	Anillo De Resorte	
29	3501625M1	1	Pin Cyl Rod End X1	Axe	Bolzen	Pasador	
30	6100603M91	1	Connector Long	Borne	Doppelnippel	Unión	
31	#UNION	1	Union	Union	Union	Union	Ref. 30
32	835024M1	1	Ring O - Boa	Joint Torique	O Ring	Junta De Tipo O	
33	3510644M1	0	Shim As Required X1	Cale	Ausgleichsscheibe	Calce	
33	3502477M1	0	Shim-W/Pad(As Reqd)Xd	Cale	Ausgleichsscheibe	Calce	
34	3502473M2	2	Wear Pad, Inner - Ext. Dipper	Patin D¿Usure	Verschleißkissen	Patín De Desgaste	Torque Figures
35	6102559M1	1	Wear Pad Lower	Patin D¿Usure	Verschleißkissen	Patín De Desgaste	
36	3502975M2	2	Shim 2.00mm X1	Cale	Ausgleichsscheibe	Calce	Bottom
36	3502976M2	2	Shim 3.00mm X1	Cale	Ausgleichsscheibe	Calce	
36	3501975M2	2	Shim 1.00mm Xd X1	Cale	Ausgleichsscheibe	Calce	Top
37	3501655M2	2	Pad Spacer Xd	Entretoise	Distanzstück	Traviesa	
38	3517491M1	2	Bolt M24-90 10.9	Goupille	Sechskantschraube	Tornillo	
39	896-11024	2	Washer-Harden-M24	Rondelle - M24	Scheibe - M24	Arandela	
40	6102519M91	1	Cover Plate Assy	Plaque	Platte	Placa	
41	6102518M1	1	Wear Pad Upper	Patin D¿Usure	Verschleißkissen	Patín De Desgaste	
42	3504158M98	1	Extension Assy-Fermecc	Ensemble De Rallonge	Verlängerung Kpl.	Extensión, Conj.	
43	#BODY	1	Body	Body	Body	Body	Ref. 42
44	339608X1	1	Grease Nipple - M10 X 1 (Zinc)	Nipple De Graissage	Schmiernippel	Engrasador	
45	3504012M1	1	Adaptor - Grease Nipple	Adaptateur	Reduziernippel	Adaptador	
46	3500009M3	4	Bush, Boom/Dipper Mounting	Douille	Buechse	Anillo	
47	339608X1	1	Grease Nipple - M10 X 1 (Zinc)	Nipple De Graissage	Schmiernippel	Engrasador	
48	3522720M2	1	Pin Dgr Bkt Ram Extbl	Goupille	Bolzen	Pasador	
49	3501289M1	1	Bolt M10-110 Z5s	Boulon	Sechskantschraube	Tornillo	
50	1440329X1	1	Nut, Hex. - Nyloc, M10	Ecrou Blocage	Flachmutter M10	Tuerca De Retención	
51	3522693M2	1	Pin Dipper/Boom Pivot	Axe	Bolzen	Pasador	
52	3501289M1	2	Bolt M10-110 Z5s	Boulon	Sechskantschraube	Tornillo	
53	1440329X1	2	Nut, Hex. - Nyloc, M10	Ecrou Blocage	Flachmutter M10	Tuerca De Retención	





Item	Part No.	Qty.	English	French	German	Spanish	Remarks
54	3522693M2	1	Pin Dipper/Boom Pivot	Axe	Bolzen	Pasador	
55	3501289M1	2	Bolt M10-110 Z5s	Boulon	Sechskantschraube	Tornillo	
56	1440329X1	2	Nut, Hex. - Nyloc, M10	Ecrou Blocage	Flachmutter M10	Tuerca De Retención	
57	3501027M1	2	Washer M44-65-5 R	Rondelle	Scheibe	Arandela	

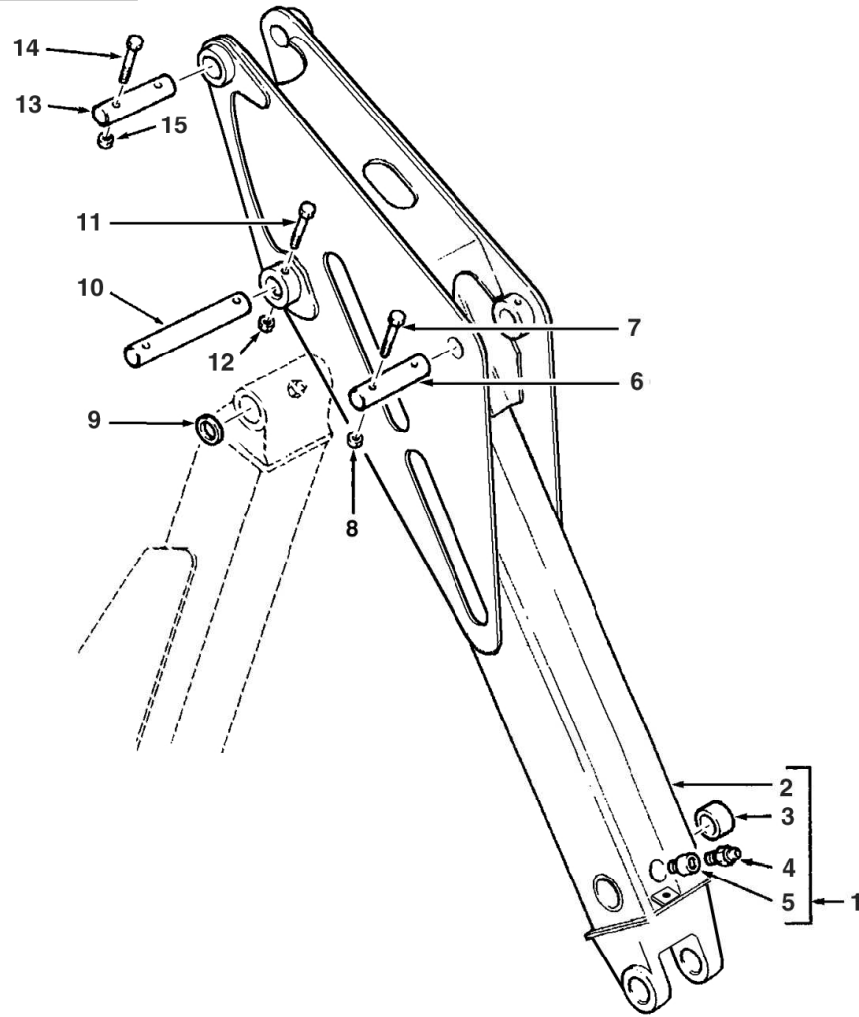




Item	Part No.	Qty.	English	French	German	Spanish	Remarks
1	5000127M91	1	Cylinder Extendable Dipper	L´Hie Hydraulique	Zylinder Hydr.	Gato, Conj.	73002c01.1 28
2	5003920M91	1	Barrel Assy	Barrel Assy	Barrel Assy	Barrel Assy	
3	5005266M91	1	Piston Rod Assy	Tige De Vérin	Kolbenstange	Pistón De Gato	
4	1607689M1	1	Lock Nut	Ecrou	Kontermutter	Tuerca De Retención	
5	1748324M1	2	O Ring	Joint Torique	O Ring	Junta De Tipo O	
6	3487078M1	1	Ring - Piston Guide	Anneau	Ring	Aro	
7	3443573M2	1	Seal Piston	Joint	Dichtung	Junta	
8	3487078M1	1	Ring - Piston Guide	Anneau	Ring	Aro	
9	5003929M1	1	Piston	Piston	Kolben	Pistón	
10	1442891X1	1	O-Ring	Joint Torique	O-Ring	Junta De Tipo O	
11	5001306M1	1	Ring, Back-Up	Contre Bague	Stützring	ContraJunta	
12	1441120X1	1	O-Ring	Joint Torique	O-Ring	Junta De Tipo O	
13	1881527M1	1	Ring Backup	Anneau	Ring	Aro	
14	3485976M1	1	Seal-40*55*10	Joint D´Arbre	Wellendichtring	Junta	
15	5001605M1	1	Bearing	Roulement	Lager	Cojinete	
16	3487585M1	1	O Ring	Joint Torique	O Ring	Junta De Tipo O	
17	5004084M91	1	Bearing Assy	Roulement	Radiallager	Cojinete	
18	1605446M1	1	Wiper Ring-40*50*7*10	Racleur	Wischer	Raspador, Escobilla	
19	5005362M91	0	Kit, Seal - Ext. Dipper Cylinder	Jeu Étanchéité	Dichtringsatz	Juego De Juntas	

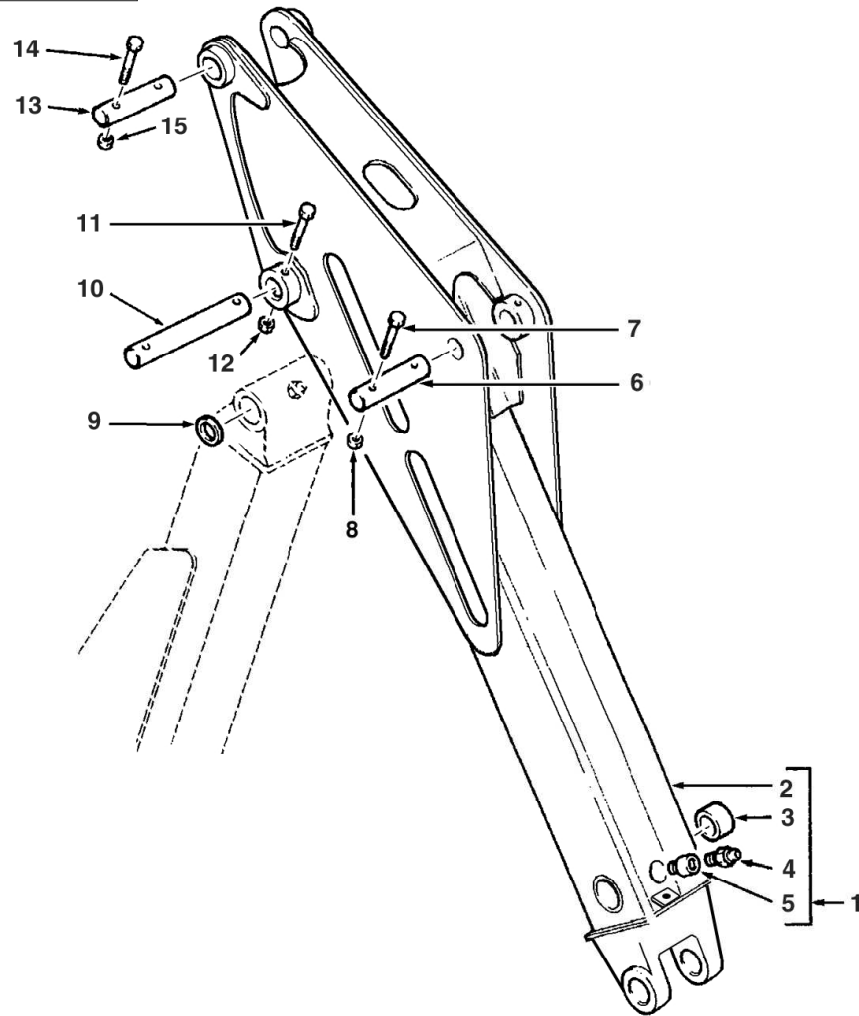


C-73003-01.1-A



Item	Part No.	Qty.	English	French	German	Spanish	Remarks
1	6100818M93	1	Standard Dipper W/A - Case	Ensemble De Balancier	Löffelarm Kpl.	Balancín, Conj.	
2	#DIPPER	1	Dipper	Dipper	Dipper	Dipper	Ref. 1
3	3500009M3	2	Bush, Boom/Dipper Mounting	Douille	Buechse	Anillo	
4	339608X1	1	Grease Nipple - M10 X 1 (Zinc)	Nipple De Graissage	Schmiernippel	Engrasador	
5	3504012M1	1	Adaptor - Grease Nipple	Adaptateur	Reduziernippel	Adaptador	
6	3522694M2	1	Pin Dippr Lift Ram Top	Axe	Bolzen	Pasador	
7	3501289M1	1	Bolt M10-110 Z5s	Boulon	Sechskantschraube	Tornillo	
8	1440329X1	1	Nut, Hex. - Nyloc, M10	Ecrou Blocage	Flachmutter M10	Tuerca De Retención	
9	3501027M1	2	Washer M44-65-5 R	Rondelle	Scheibe	Arandela	
10	3522693M2	1	Pin Dipper/Boom Pivot	Axe	Bolzen	Pasador	
11	3501289M1	2	Bolt M10-110 Z5s	Boulon	Sechskantschraube	Tornillo	
12	1440329X1	2	Nut, Hex. - Nyloc, M10	Ecrou Blocage	Flachmutter M10	Tuerca De Retención	
13	3522693M2	1	Pin Dipper/Boom Pivot	Axe	Bolzen	Pasador	
14	3501289M1	2	Bolt M10-110 Z5s	Boulon	Sechskantschraube	Tornillo	
15	1440329X1	2	Nut, Hex. - Nyloc, M10	Ecrou Blocage	Flachmutter M10	Tuerca De Retención	

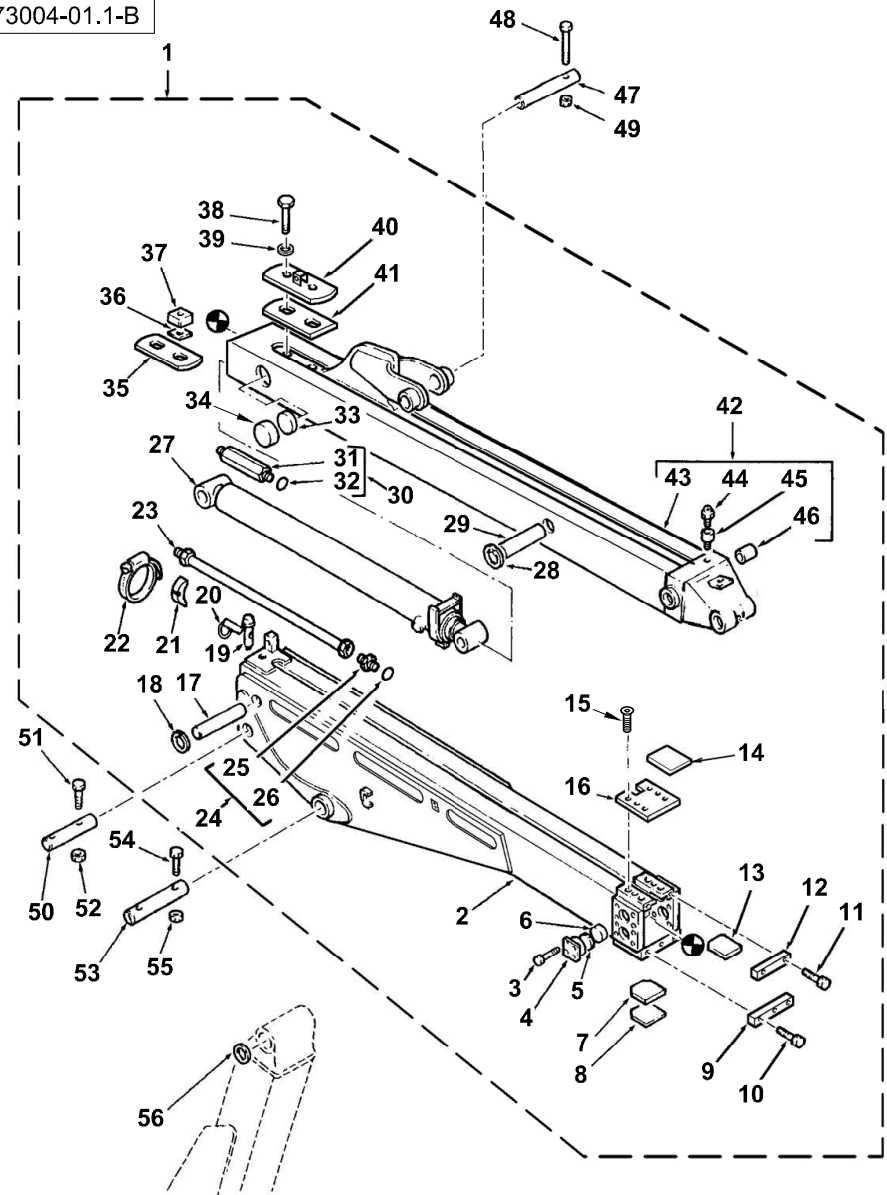
C-73003-01.1-A





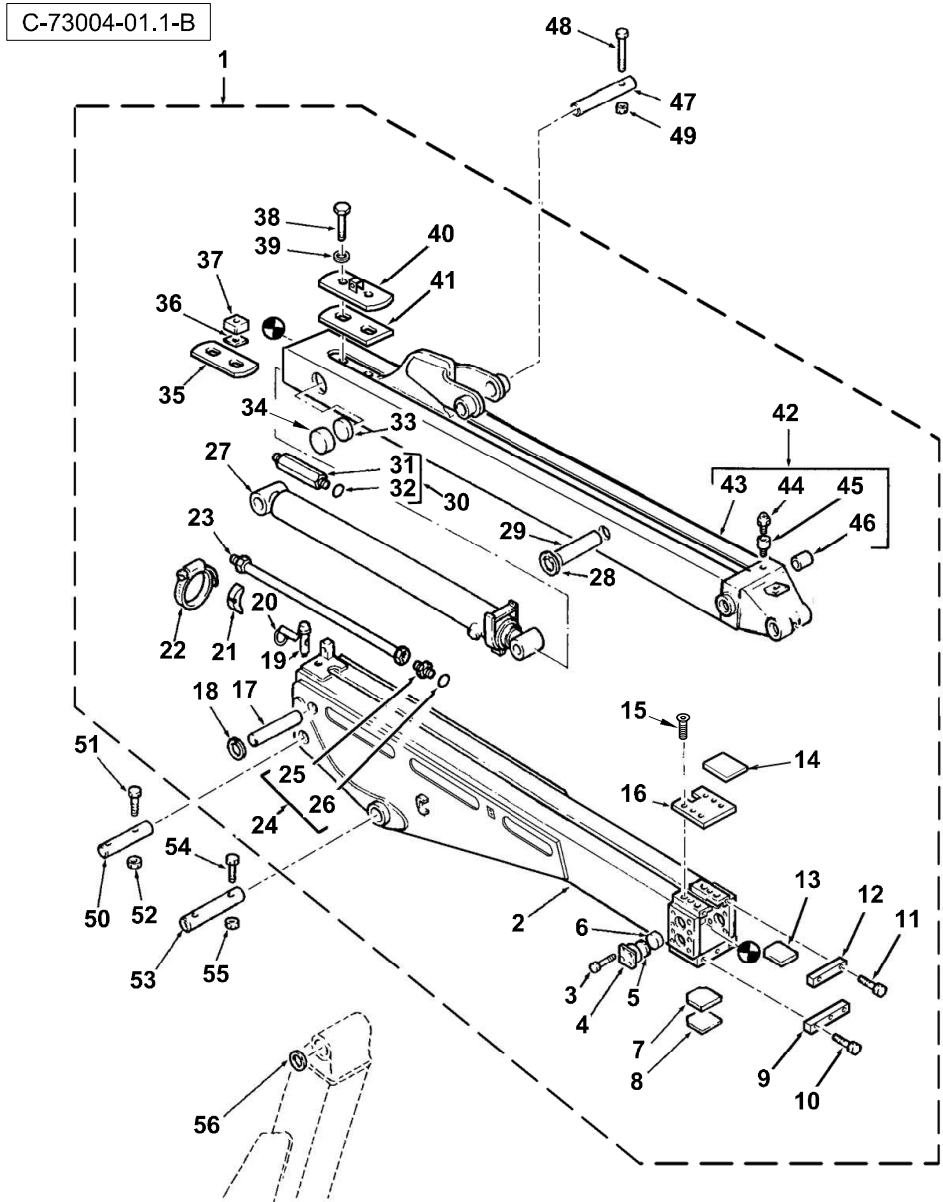
Item	Part No.	Qty.	English	French	German	Spanish	Remarks
1	6100818M93	1	Standard Dipper W/A - Case	Ensemble De Balancier	Löffelarm Kpl.	Balancín, Conj.	
2	#DIPPER	1	Dipper	Dipper	Dipper	Dipper	Ref. 1
3	3500009M3	2	Bush, Boom/Dipper Mounting	Douille	Buechse	Anillo	
4	339608X1	1	Grease Nipple - M10 X 1 (Zinc)	Nipple De Graissage	Schmiernippel	Engrasador	
5	3504012M1	1	Adaptor - Grease Nipple	Adaptateur	Reduziernippel	Adaptador	
6	3522694M2	1	Pin Dippr Lift Ram Top	Axe	Bolzen	Pasador	
7	3501289M1	1	Bolt M10-110 Z5s	Boulon	Sechskantschraube	Tornillo	
8	1440329X1	1	Nut, Hex. - Nyloc, M10	Ecrou Blocage	Flachmutter M10	Tuerca De Retención	
9	3501027M1	2	Washer M44-65-5 R	Rondelle	Scheibe	Arandela	
10	3522693M2	1	Pin Dipper/Boom Pivot	Axe	Bolzen	Pasador	
11	3501289M1	2	Bolt M10-110 Z5s	Boulon	Sechskantschraube	Tornillo	
12	1440329X1	2	Nut, Hex. - Nyloc, M10	Ecrou Blocage	Flachmutter M10	Tuerca De Retención	
13	3522693M2	1	Pin Dipper/Boom Pivot	Axe	Bolzen	Pasador	
14	3501289M1	2	Bolt M10-110 Z5s	Boulon	Sechskantschraube	Tornillo	
15	1440329X1	2	Nut, Hex. - Nyloc, M10	Ecrou Blocage	Flachmutter M10	Tuerca De Retención	

C-73004-01.1-B



Item	Part No.	Qty.	English	French	German	Spanish	Remarks
1	6109587M91	1	Ext Dipper 4.75 (Case End)	Ensemble De Balancier	Löffelarm Kpl.	Balancín, Conj.	
2	6100743M96	1	Housing W/A - Ext. Dipper	Carter	Gehäuse	Cárter, Conj.	
3	3009492X1	16	Bolt - Hex. M10 X 25	Boulon M10 X 25	Schraube M10 X 25	Tornillo	
4	6106121M1	4	Casting-Wear Pad Housing	Carter	Gehäuse	Cárter	
5	3502476M1	0	Shim W/Pad(As Req'd) Xd	Cale	Ausgleichsscheibe	Calce	
5	3510645M1	0	Shim As Required Xd	Cale	Ausgleichsscheibe	Calce	
6	3502475M2	4	Wear Pad - Extending Dipper	Patin D'Usure	Verschleißkissen	Patín De Desgaste	
7	3501658M2	1	Pad-Collar Wear	Patin D'Usure	Verschleißkissen	Patín De Desgaste	
8	3510862M1	0	Shim As Required Xd	Cale	Ausgleichsscheibe	Calce	
8	3502940M1	0	Shim, 1mm - Extending Dipper	Cale	Ausgleichsscheibe	Calce	
8	3502938M1	0	Shim As Required X1	Cale	Ausgleichsscheibe	Calce	
8	3502939M1	0	Shim As Required X1	Cale	Ausgleichsscheibe	Calce	
9	6106164M1	1	Plate, Lower Scraper - Ext. Dipper	Plaque	Platte	Placa	
10	6007797M1	5	Screw M12 X 30	Vis	Schraube	Tornillo	
12	6102971M1	1	Bar-Top Wear Pad Retainer	Dispositif De Retenue	Befestigungsteil	Fijacion	
13	3501658M2	1	Pad-Collar Wear	Patin D'Usure	Verschleißkissen	Patín De Desgaste	
14	6108692M1	4	Decal - Operators Instruction Book	Adhésif	Aufkleber	Adhesivo	
15	3009464X1	6	Screw : M12 X 35 - ISO 10.9 ( Zinc )	Vis - M12 X 35	Schraube - M12 X 35	Tornillo	
16	6111887M1	1	Plate	Plaque	Platte	Placa	
17	3501624M1	1	Pin 31.7 X 195mm	Axe	Bolzen	Pasador	
18	355973X1	2	Ring Snap	Segment D'Arrêt	Sicherungsring	Anillo De Resorte	
19	6108900M1	1	Pin, Transport Lock - Extending Dipper	Goupille	Bolzen	Pasador	
20	810285M92	1	Linch Pin & Ring	Goupille D'Arrêt	Klappstecker	Pasador De Parada	
21	D142787	2	Saddle (See 142787d)	Selle	Sattel	Bloque De Caucho	
22	3517728M1	2	Clip Jubilee 80-100	Bride Pour Tutaux	Schlauchschelle	Clip	
23	6100599M91	1	Tube Assy	Ensemble Tube	Rohr Kpl	Conjunto De Tubería	
24	835013M91	1	Connector 7/8 Jic	Raccord	Schraubanschluss	Conexión, Conj.	
25	#UNION	1	Union	Union	Union	Union	Ref. 24
26	835024M1	1	Ring O - Boa	Joint Torique	O Ring	Junta De Tipo O	
27	5000127M91	1	Cylinder Extendable Dipper	L'Hie Hydraulique	Zylinder Hydr.	Gato, Conj.	73004c02.1 1

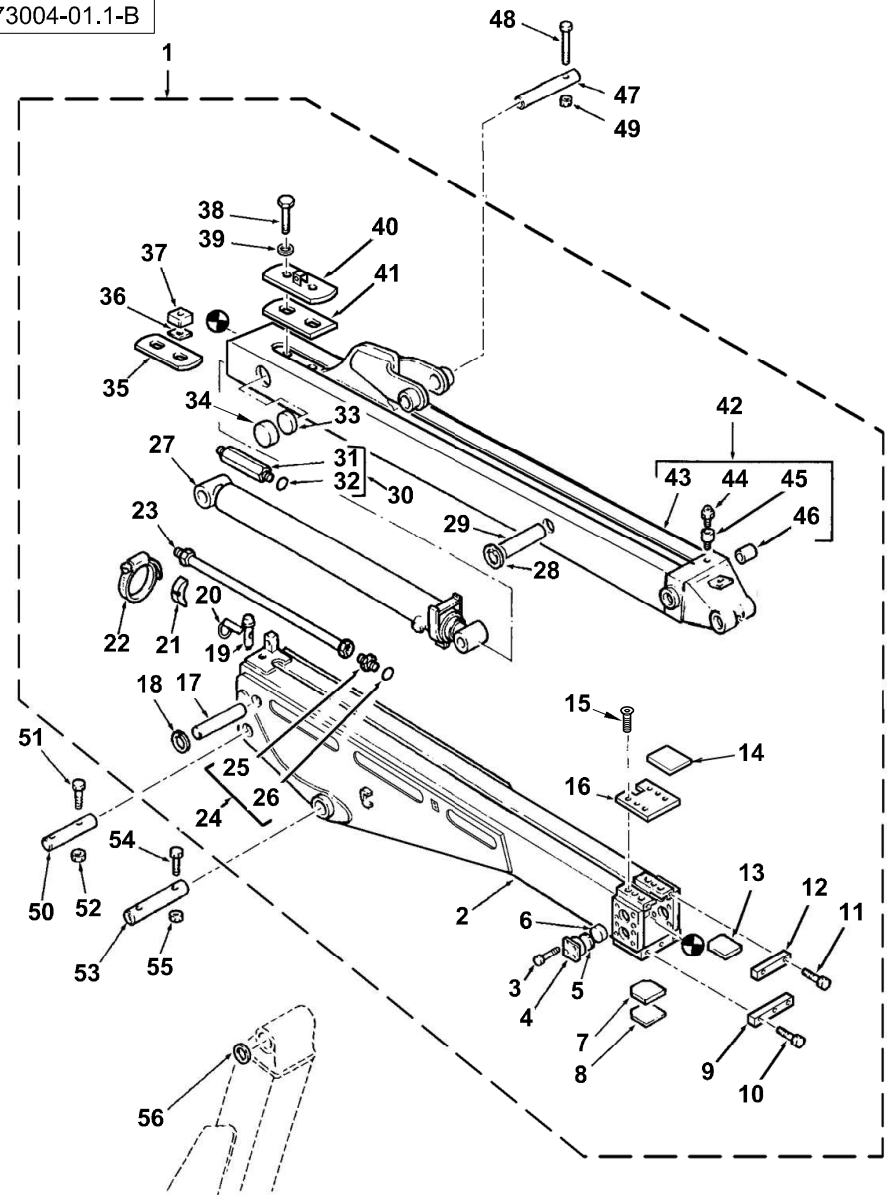




Item	Part No.	Qty.	English	French	German	Spanish	Remarks
28	355973X1	2	Ring Snap	Segment D'Arrêt	Sicherungsring	Anillo De Resorte	
29	3501625M1	1	Pin Cyl Rod End X1	Axe	Bolzen	Pasador	
30	6100603M91	1	Connector Long	Borne	Doppelnippel	Unión	
31	#UNION	1	Union	Union	Union	Union	Ref. 30
32	835024M1	1	Ring O - Boa	Joint Torique	O Ring	Junta De Tipo O	
33	3502477M1	0	Shim-W/Pad(As Reqd)Xd	Cale	Ausgleichsscheibe	Calce	
33	3510644M1	0	Shim As Required X1	Cale	Ausgleichsscheibe	Calce	
34	3502473M2	2	Wear Pad, Inner - Ext. Dipper	Patin D&Ussure	Verschleißkissen	Patín De Desgaste	
35	6102559M1	1	Wear Pad Lower	Patin D&Ussure	Verschleißkissen	Patín De Desgaste	Torque Figures
36	3502976M2	2	Shim 3.00mm X1	Cale	Ausgleichsscheibe	Calce	Bottom
36	3501975M2	2	Shim 1.00mm Xd X1	Cale	Ausgleichsscheibe	Calce	
36	3502975M2	2	Shim 2.00mm X1	Cale	Ausgleichsscheibe	Calce	Top
37	3501655M2	2	Pad Spacer Xd	Entretoise	Distanzstück	Traviesa	
38	3517491M1	2	Bolt M24-90 10.9	Goupille	Sechskantschraube	Tornillo	
39	896-11024	2	Washer-Harden-M24	Rondelle - M24	Scheibe - M24	Arandela	
40	6102519M91	1	Cover Plate Assy	Plaque	Platte	Placa	
41	6102518M1	1	Wear Pad Upper	Patin D&Ussure	Verschleißkissen	Patín De Desgaste	
42	6100303M93	1	Dipper Extension - Inner, Case End	Ensemble De Rallonge	Verlängerung Kpl.	Extensión, Conj.	
43	#BODY	1	Body	Body	Body	Body	Ref. 42
44	339608X1	1	Grease Nipple - M10 X 1 (Zinc)	Nipple De Graissage	Schmiernippel	Engrasador	
45	3504012M1	1	Adaptor - Grease Nipple	Adaptateur	Reduziernippel	Adaptador	
46	3500009M3	2	Bush, Boom/Dipper Mounting	Douille	Buechse	Anillo	
47	3522720M2	1	Pin Dgr Bkt Ram Extbl	Goupille	Bolzen	Pasador	
48	3501289M1	1	Bolt M10-110 Z5s	Boulon	Sechskantschraube	Tornillo	
49	1440329X1	1	Nut, Hex. - Nyloc, M10	Ecrou Blocage	Flachmutter M10	Tuerca De Retención	
50	3522693M2	1	Pin Dipper/Boom Pivot	Axe	Bolzen	Pasador	
51	3501289M1	2	Bolt M10-110 Z5s	Boulon	Sechskantschraube	Tornillo	
52	1440329X1	2	Nut, Hex. - Nyloc, M10	Ecrou Blocage	Flachmutter M10	Tuerca De Retención	
53	3522693M2	1	Pin Dipper/Boom Pivot	Axe	Bolzen	Pasador	
54	3501289M1	2	Bolt M10-110 Z5s	Boulon	Sechskantschraube	Tornillo	

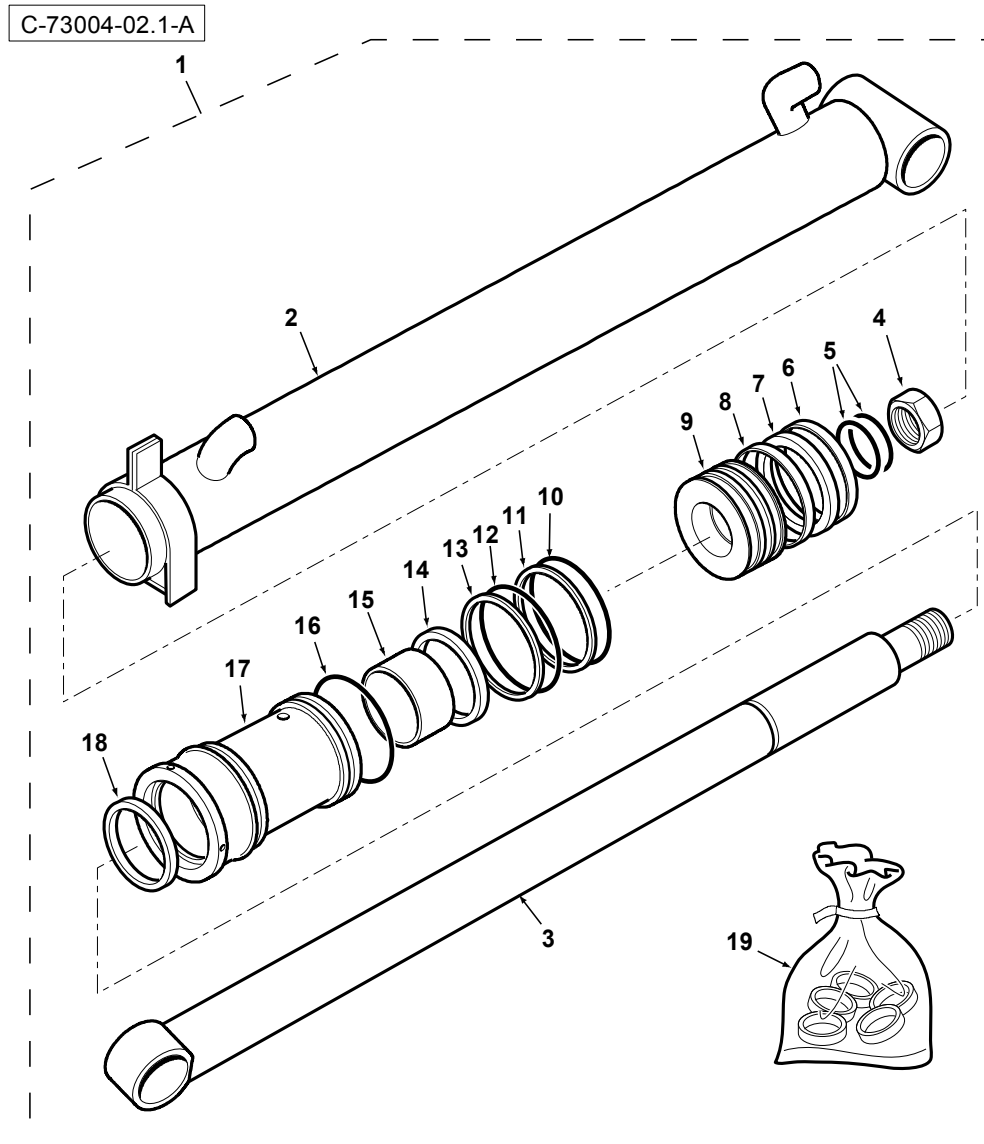


C-73004-01.1-B



<b>Item</b>	<b>Part No.</b>	<b>Qty.</b>	<b>English</b>	<b>French</b>	<b>German</b>	<b>Spanish</b>	<b>Remarks</b>
55	1440329X1	2	Nut, Hex. - Nyloc, M10	Ecrou Blocage	Flachmutter M10	Tuerca De Retención	
56	3501027M1	2	Washer M44-65-5 R	Rondelle	Scheibe	Arandela	

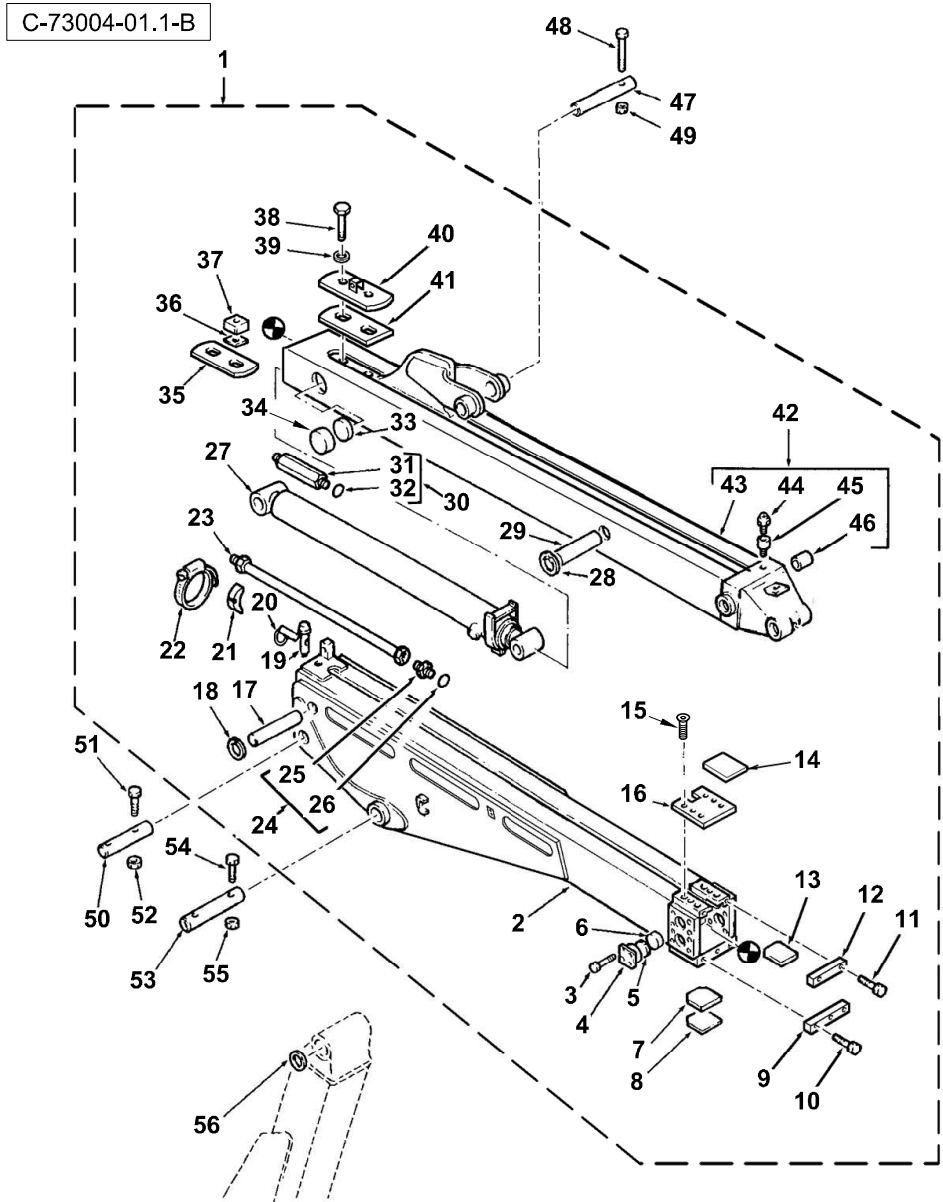






Item	Part No.	Qty.	English	French	German	Spanish	Remarks
1	5000127M91	1	Cylinder Extendable Dipper	L´Hie Hydraulique	Zylinder Hydr.	Gato, Conj.	73004c01.1 28
2	5003920M91	1	Barrel Assy	Barrel Assy	Barrel Assy	Barrel Assy	
3	5005266M91	1	Piston Rod Assy	Tige De Vérin	Kolbenstange	Pistón De Gato	
4	1607689M1	1	Lock Nut	Ecrou	Kontermutter	Tuerca De Retención	
5	1748324M1	2	O Ring	Joint Torique	O Ring	Junta De Tipo O	
6	3487078M1	1	Ring - Piston Guide	Anneau	Ring	Aro	
7	3443573M2	1	Seal Piston	Joint	Dichtung	Junta	
8	3487078M1	1	Ring - Piston Guide	Anneau	Ring	Aro	
9	5003929M1	1	Piston	Piston	Kolben	Pistón	
10	1442891X1	1	O-Ring	Joint Torique	O-Ring	Junta De Tipo O	
11	5001306M1	1	Ring, Back-Up	Contre Bague	Stützring	ContraJunta	
12	1441120X1	1	O-Ring	Joint Torique	O-Ring	Junta De Tipo O	
13	1881527M1	1	Ring Backup	Anneau	Ring	Aro	
14	3485976M1	1	Seal-40*55*10	Joint D´Arbre	Wellendichtring	Junta	
15	5001605M1	1	Bearing	Roulement	Lager	Cojinete	
16	3487585M1	1	O Ring	Joint Torique	O Ring	Junta De Tipo O	
17	5004084M91	1	Bearing Assy	Roulement	Radiallager	Cojinete	
18	1605446M1	1	Wiper Ring-40*50*7*10	Racleur	Wischer	Raspador, Escobilla	
19	5005362M91	0	Kit, Seal - Ext. Dipper Cylinder	Jeu Étanchéité	Dichtringsatz	Juego De Juntas	





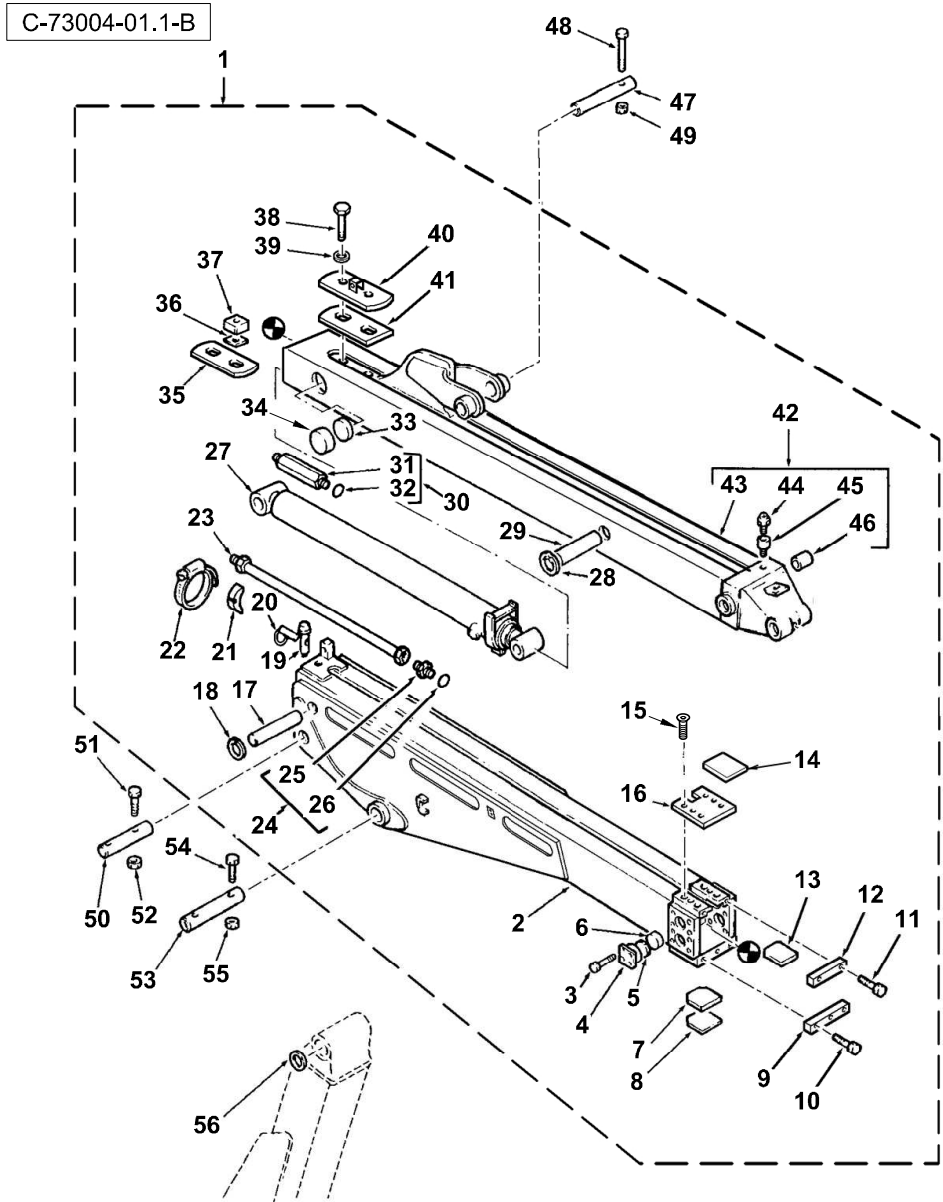
Item	Part No.	Qty.	English	French	German	Spanish	Remarks
1	6109587M91	1	Ext Dipper 4.75 (Case End)	Ensemble De Balancier	Löffelarm Kpl.	Balancín, Conj.	
2	6100743M96	1	Housing W/A - Ext. Dipper	Carter	Gehäuse	Cárter, Conj.	
3	3009492X1	16	Bolt - Hex. M10 X 25	Boulon M10 X 25	Schraube M10 X 25	Tornillo	
4	6106121M1	4	Casting-Wear Pad Housing	Carter	Gehäuse	Cárter	
5	3502476M1	0	Shim W/Pad(As Req'd) Xd	Cale	Ausgleichsscheibe	Calce	
5	3510645M1	0	Shim As Required Xd	Cale	Ausgleichsscheibe	Calce	
6	3502475M2	4	Wear Pad - Extending Dipper	Patin D'Usure	Verschleißkissen	Patín De Desgaste	
7	3501658M2	1	Pad-Collar Wear	Patin D'Usure	Verschleißkissen	Patín De Desgaste	
8	3510862M1	0	Shim As Required Xd	Cale	Ausgleichsscheibe	Calce	
8	3502940M1	0	Shim, 1mm - Extending Dipper	Cale	Ausgleichsscheibe	Calce	
8	3502938M1	0	Shim As Required X1	Cale	Ausgleichsscheibe	Calce	
8	3502939M1	0	Shim As Required X1	Cale	Ausgleichsscheibe	Calce	
9	6106164M1	1	Plate, Lower Scraper - Ext. Dipper	Plaque	Platte	Placa	
10	6007797M1	5	Screw M12 X 30	Vis	Schraube	Tornillo	
12	6102971M1	1	Bar-Top Wear Pad Retainer	Dispositif De Retenue	Befestigungsteil	Fijacion	
13	3501658M2	1	Pad-Collar Wear	Patin D'Usure	Verschleißkissen	Patín De Desgaste	
14	6108692M1	4	Decal - Operators Instruction Book	Adhésif	Aufkleber	Adhesivo	
15	3009464X1	6	Screw : M12 X 35 - ISO 10.9 ( Zinc )	Vis - M12 X 35	Schraube - M12 X 35	Tornillo	
16	6111887M1	1	Plate	Plaque	Platte	Placa	
17	3501624M1	1	Pin 31.7 X 195mm	Axe	Bolzen	Pasador	
18	355973X1	2	Ring Snap	Segment D'Arrêt	Sicherungsring	Anillo De Resorte	
19	6108900M1	1	Pin, Transport Lock - Extending Dipper	Goupille	Bolzen	Pasador	
20	810285M92	1	Linch Pin & Ring	Goupille D'Arrêt	Klappstecker	Pasador De Parada	
21	D142787	2	Saddle (See 142787d)	Selle	Sattel	Bloque De Caucho	
22	3517728M1	2	Clip Jubilee 80-100	Bride Pour Tutaux	Schlauchschelle	Clip	
23	6100599M91	1	Tube Assy	Ensemble Tube	Rohr Kpl	Conjunto De Tubería	
24	835013M91	1	Connector 7/8 Jic	Raccord	Schraubanschluss	Conexión, Conj.	
25	#UNION	1	Union	Union	Union	Union	Ref. 24
26	835024M1	1	Ring O - Boa	Joint Torique	O Ring	Junta De Tipo O	
27	5000127M91	1	Cylinder Extendable Dipper	L'Hie Hydraulique	Zylinder Hydr.	Gato, Conj.	73004c02.1 1





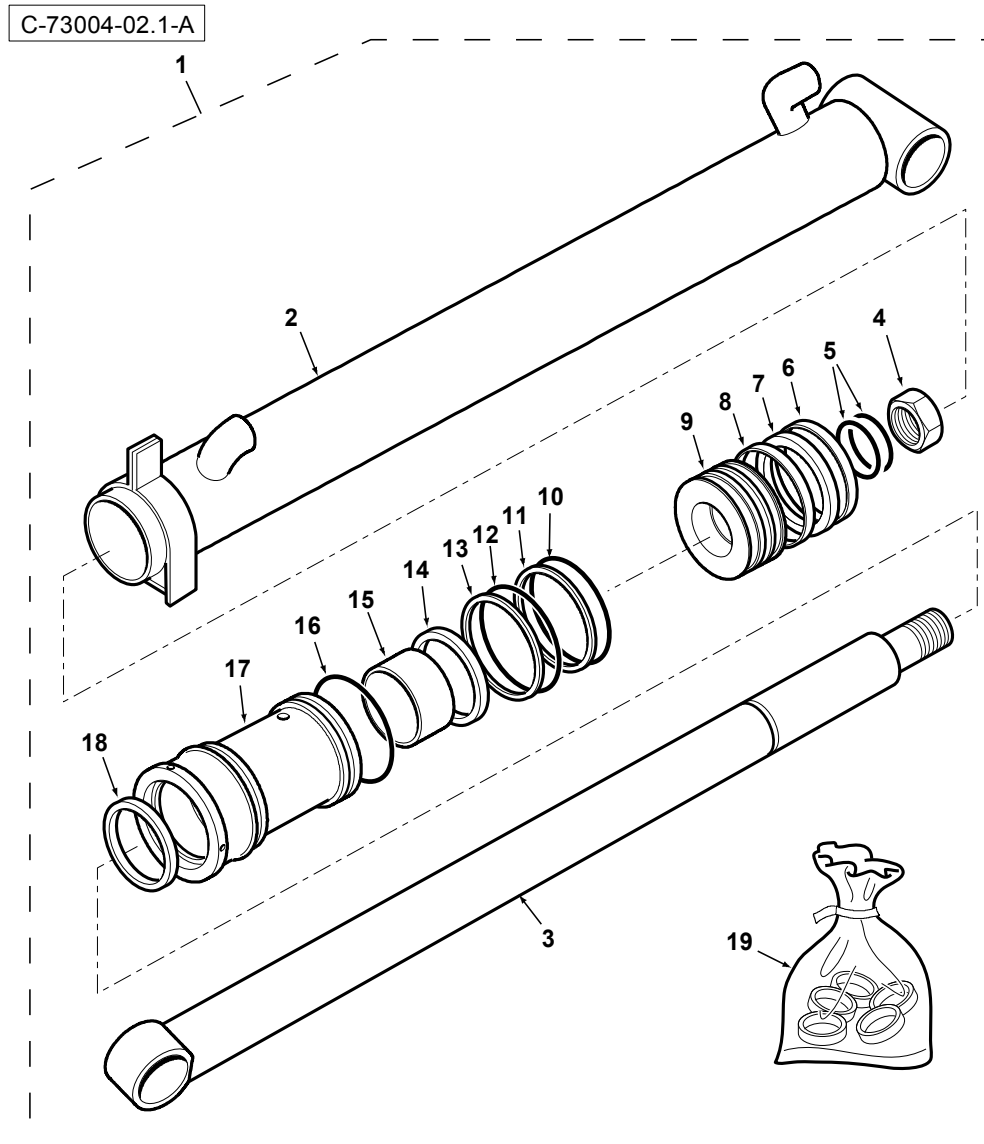
Item	Part No.	Qty.	English	French	German	Spanish	Remarks
28	355973X1	2	Ring Snap	Segment D´Arrêt	Sicherungsring	Anillo De Resorte	
29	3501625M1	1	Pin Cyl Rod End X1	Axe	Bolzen	Pasador	
30	6100603M91	1	Connector Long	Borne	Doppelnippel	Unión	
31	#UNION	1	Union	Union	Union	Union	Ref. 30
32	835024M1	1	Ring O - Boa	Joint Torique	O Ring	Junta De Tipo O	
33	3502477M1	0	Shim-W/Pad(As Reqd)Xd	Cale	Ausgleichsscheibe	Calce	
33	3510644M1	0	Shim As Required X1	Cale	Ausgleichsscheibe	Calce	
34	3502473M2	2	Wear Pad, Inner - Ext. Dipper	Patin D&Ushare	Verschleißkissen	Patín De Desgaste	
35	6102559M1	1	Wear Pad Lower	Patin D&Ushare	Verschleißkissen	Patín De Desgaste	Torque Figures
36	3502976M2	2	Shim 3.00mm X1	Cale	Ausgleichsscheibe	Calce	Bottom
36	3501975M2	2	Shim 1.00mm Xd X1	Cale	Ausgleichsscheibe	Calce	
36	3502975M2	2	Shim 2.00mm X1	Cale	Ausgleichsscheibe	Calce	Top
37	3501655M2	2	Pad Spacer Xd	Entretoise	Distanzstück	Traviesa	
38	3517491M1	2	Bolt M24-90 10.9	Goupille	Sechskantschraube	Tornillo	
39	896-11024	2	Washer-Harden-M24	Rondelle - M24	Scheibe - M24	Arandela	
40	6102519M91	1	Cover Plate Assy	Plaque	Platte	Placa	
41	6102518M1	1	Wear Pad Upper	Patin D&Ushare	Verschleißkissen	Patín De Desgaste	
42	6100303M93	1	Dipper Extension - Inner, Case End	Ensemble De Rallonge	Verlängerung Kpl.	Extensión, Conj.	
43	#BODY	1	Body	Body	Body	Body	Ref. 42
44	339608X1	1	Grease Nipple - M10 X 1 (Zinc)	Nipple De Graissage	Schmiernippel	Engrasador	
45	3504012M1	1	Adaptor - Grease Nipple	Adaptateur	Reduziernippel	Adaptador	
46	3500009M3	2	Bush, Boom/Dipper Mounting	Douille	Buechse	Anillo	
47	3522720M2	1	Pin Dgr Bkt Ram Extbl	Goupille	Bolzen	Pasador	
48	3501289M1	1	Bolt M10-110 Z5s	Boulon	Sechskantschraube	Tornillo	
49	1440329X1	1	Nut, Hex. - Nyloc, M10	Ecrou Blocage	Flachmutter M10	Tuerca De Retención	
50	3522693M2	1	Pin Dipper/Boom Pivot	Axe	Bolzen	Pasador	
51	3501289M1	2	Bolt M10-110 Z5s	Boulon	Sechskantschraube	Tornillo	
52	1440329X1	2	Nut, Hex. - Nyloc, M10	Ecrou Blocage	Flachmutter M10	Tuerca De Retención	
53	3522693M2	1	Pin Dipper/Boom Pivot	Axe	Bolzen	Pasador	
54	3501289M1	2	Bolt M10-110 Z5s	Boulon	Sechskantschraube	Tornillo	





<b>Item</b>	<b>Part No.</b>	<b>Qty.</b>	<b>English</b>	<b>French</b>	<b>German</b>	<b>Spanish</b>	<b>Remarks</b>
55	1440329X1	2	Nut, Hex. - Nyloc, M10	Ecrou Blocage	Flachmutter M10	Tuerca De Retención	
56	3501027M1	2	Washer M44-65-5 R	Rondelle	Scheibe	Arandela	

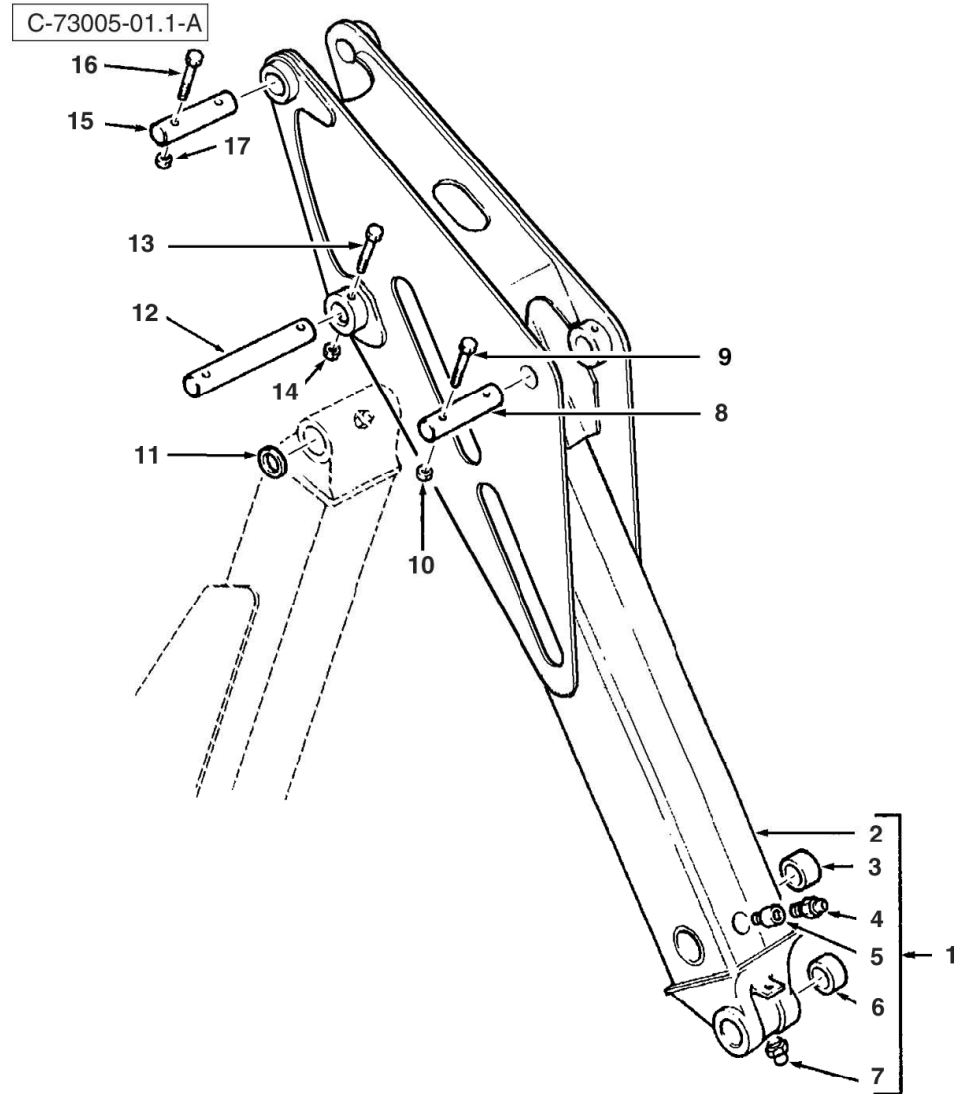






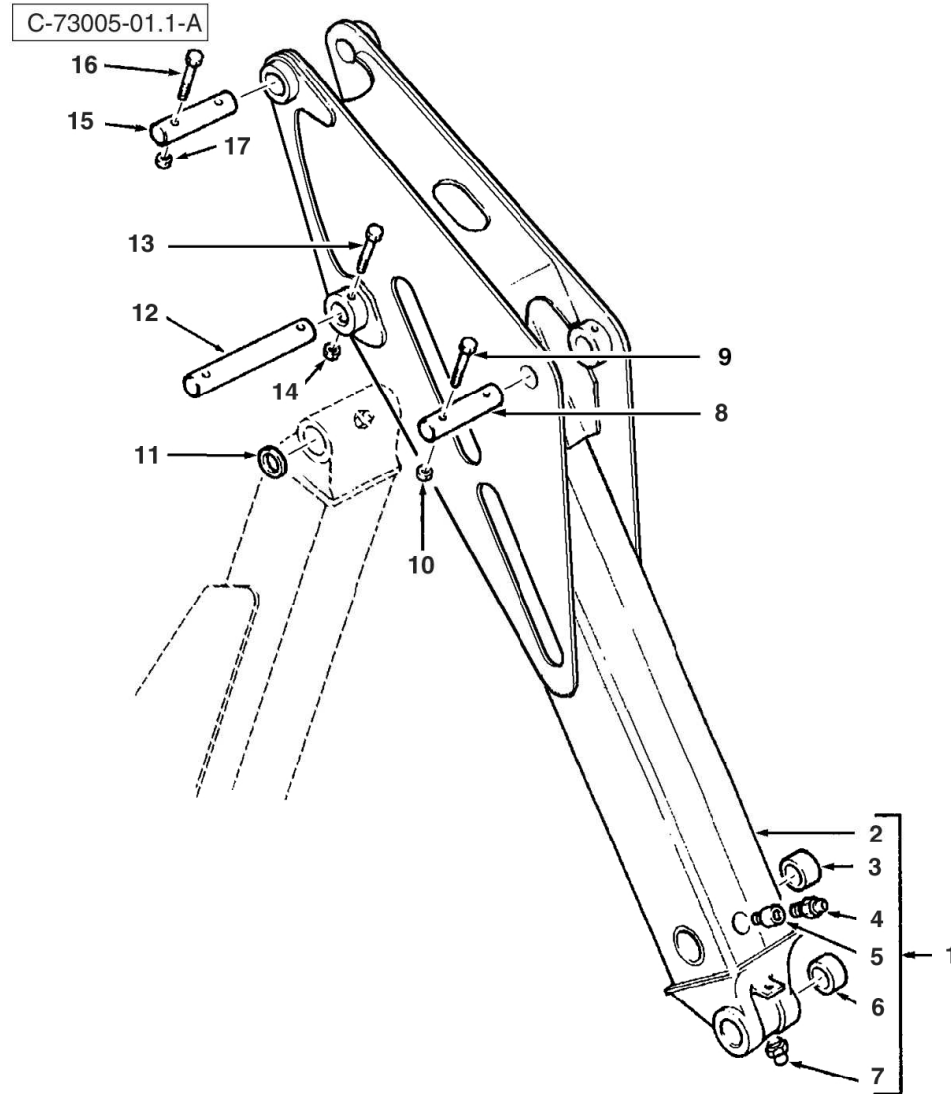
Item	Part No.	Qty.	English	French	German	Spanish	Remarks
1	5000127M91	1	Cylinder Extendable Dipper	L´Hie Hydraulique	Zylinder Hydr.	Gato, Conj.	73004c01.1 28
2	5003920M91	1	Barrel Assy	Barrel Assy	Barrel Assy	Barrel Assy	
3	5005266M91	1	Piston Rod Assy	Tige De Vérin	Kolbenstange	Pistón De Gato	
4	1607689M1	1	Lock Nut	Ecrou	Kontermutter	Tuerca De Retención	
5	1748324M1	2	O Ring	Joint Torique	O Ring	Junta De Tipo O	
6	3487078M1	1	Ring - Piston Guide	Anneau	Ring	Aro	
7	3443573M2	1	Seal Piston	Joint	Dichtung	Junta	
8	3487078M1	1	Ring - Piston Guide	Anneau	Ring	Aro	
9	5003929M1	1	Piston	Piston	Kolben	Pistón	
10	1442891X1	1	O-Ring	Joint Torique	O-Ring	Junta De Tipo O	
11	5001306M1	1	Ring, Back-Up	Contre Bague	Stützring	ContraJunta	
12	1441120X1	1	O-Ring	Joint Torique	O-Ring	Junta De Tipo O	
13	1881527M1	1	Ring Backup	Anneau	Ring	Aro	
14	3485976M1	1	Seal-40*55*10	Joint D´Arbre	Wellendichtring	Junta	
15	5001605M1	1	Bearing	Roulement	Lager	Cojinete	
16	3487585M1	1	O Ring	Joint Torique	O Ring	Junta De Tipo O	
17	5004084M91	1	Bearing Assy	Roulement	Radiallager	Cojinete	
18	1605446M1	1	Wiper Ring-40*50*7*10	Racleur	Wischer	Raspador, Escobilla	
19	5005362M91	0	Kit, Seal - Ext. Dipper Cylinder	Jeu Étanchéité	Dichtringsatz	Juego De Juntas	





Item	Part No.	Qty.	English	French	German	Spanish	Remarks
1	6108840M91	1	Dipper - Standard -Jcb End	Ensemble De Balancier	Löffelarm Kpl.	Balancín, Conj.	
2	#DIPPER	1	Dipper	Dipper	Dipper	Dipper	Ref. 1
3	3500009M3	2	Bush, Boom/Dipper Mounting	Douille	Buechse	Anillo	
4	339608X1	1	Grease Nipple - M10 X 1 (Zinc)	Nipple De Graissage	Schmiernippel	Engrasador	
5	3504012M1	1	Adaptor - Grease Nipple	Adaptateur	Reduziernippel	Adaptador	
6	3500009M3	2	Bush, Boom/Dipper Mounting	Douille	Buechse	Anillo	
7	339608X1	1	Grease Nipple - M10 X 1 (Zinc)	Nipple De Graissage	Schmiernippel	Engrasador	
8	3522694M2	1	Pin Dippr Lift Ram Top	Axe	Bolzen	Pasador	
9	3501289M1	1	Bolt M10-110 Z5s	Boulon	Sechskantschraube	Tornillo	
10	1440329X1	1	Nut, Hex. - Nyloc, M10	Ecrou Blocage	Flachmutter M10	Tuerca De Retención	
11	3501027M1	2	Washer M44-65-5 R	Rondelle	Scheibe	Arandela	
12	3522693M2	1	Pin Dipper/Boom Pivot	Axe	Bolzen	Pasador	
13	3501289M1	2	Bolt M10-110 Z5s	Boulon	Sechskantschraube	Tornillo	
14	1440329X1	2	Nut, Hex. - Nyloc, M10	Ecrou Blocage	Flachmutter M10	Tuerca De Retención	
15	3522693M2	1	Pin Dipper/Boom Pivot	Axe	Bolzen	Pasador	
16	3501289M1	2	Bolt M10-110 Z5s	Boulon	Sechskantschraube	Tornillo	
17	1440329X1	2	Nut, Hex. - Nyloc, M10	Ecrou Blocage	Flachmutter M10	Tuerca De Retención	





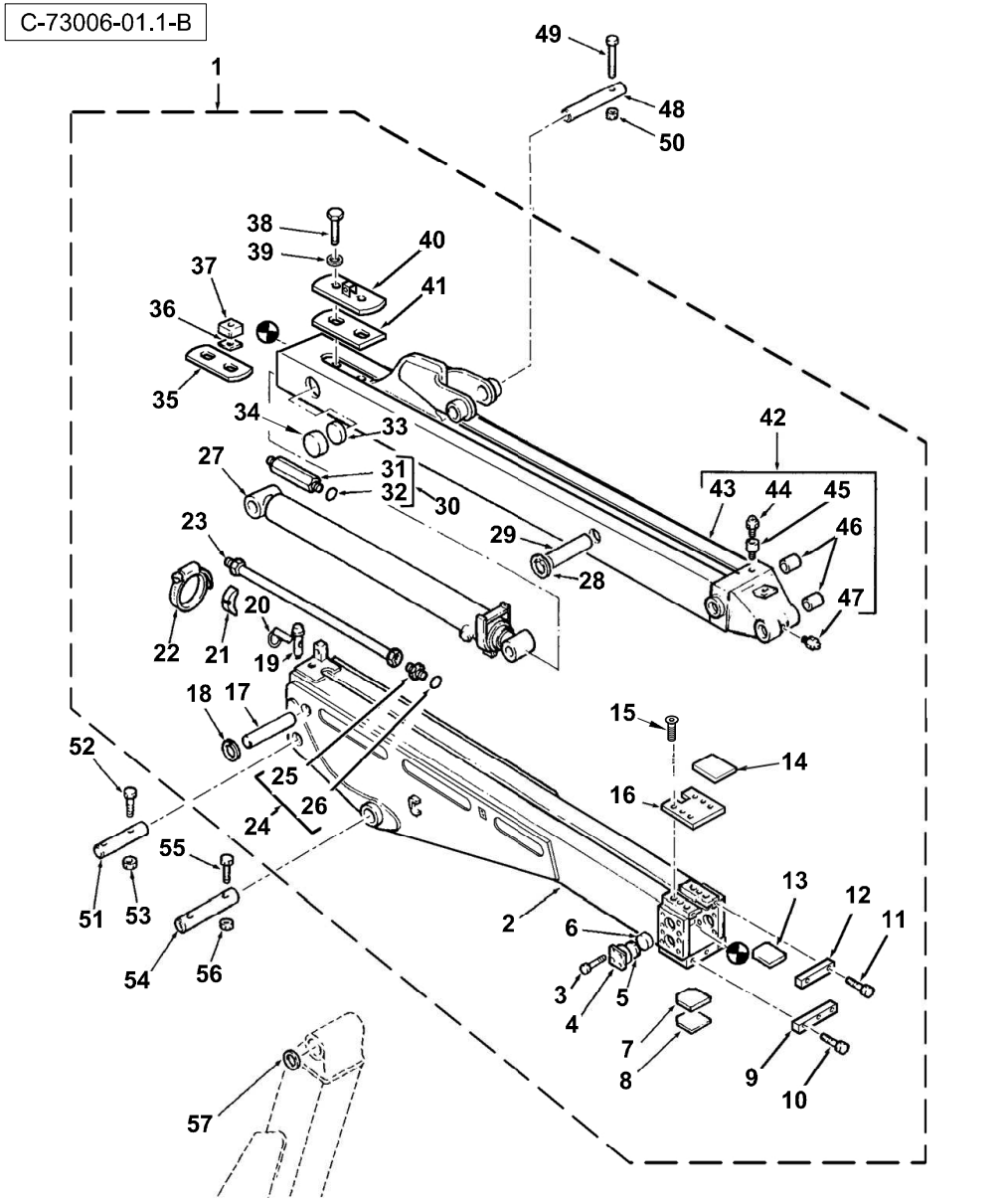
Item	Part No.	Qty.	English	French	German	Spanish	Remarks
1	6108840M91	1	Dipper - Standard -Jcb End	Ensemble De Balancier	Löffelarm Kpl.	Balancín, Conj.	
2	#DIPPER	1	Dipper	Dipper	Dipper	Dipper	Ref. 1
3	3500009M3	2	Bush, Boom/Dipper Mounting	Douille	Buechse	Anillo	
4	339608X1	1	Grease Nipple - M10 X 1 (Zinc)	Nipple De Graissage	Schmiernippel	Engrasador	
5	3504012M1	1	Adaptor - Grease Nipple	Adaptateur	Reduziernippel	Adaptador	
6	3500009M3	2	Bush, Boom/Dipper Mounting	Douille	Buechse	Anillo	
7	339608X1	1	Grease Nipple - M10 X 1 (Zinc)	Nipple De Graissage	Schmiernippel	Engrasador	
8	3522694M2	1	Pin Dippr Lift Ram Top	Axe	Bolzen	Pasador	
9	3501289M1	1	Bolt M10-110 Z5s	Boulon	Sechskantschraube	Tornillo	
10	1440329X1	1	Nut, Hex. - Nyloc, M10	Ecrou Blocage	Flachmutter M10	Tuerca De Retención	
11	3501027M1	2	Washer M44-65-5 R	Rondelle	Scheibe	Arandela	
12	3522693M2	1	Pin Dipper/Boom Pivot	Axe	Bolzen	Pasador	
13	3501289M1	2	Bolt M10-110 Z5s	Boulon	Sechskantschraube	Tornillo	
14	1440329X1	2	Nut, Hex. - Nyloc, M10	Ecrou Blocage	Flachmutter M10	Tuerca De Retención	
15	3522693M2	1	Pin Dipper/Boom Pivot	Axe	Bolzen	Pasador	
16	3501289M1	2	Bolt M10-110 Z5s	Boulon	Sechskantschraube	Tornillo	
17	1440329X1	2	Nut, Hex. - Nyloc, M10	Ecrou Blocage	Flachmutter M10	Tuerca De Retención	





Item	Part No.	Qty.	English	French	German	Spanish	Remarks
1	6108790M92	1	Ext Dipper 4.75 (Jcb End)	Ensemble De Balancier	Löffelarm Kpl.	Balancín, Conj.	
2	6100743M96	1	Housing W/A - Ext. Dipper	Carter	Gehäuse	Cárter, Conj.	
3	3009492X1	16	Bolt - Hex. M10 X 25	Boulon M10 X 25	Schraube M10 X 25	Tornillo	
4	6106121M1	4	Casting-Wear Pad Housing	Carter	Gehäuse	Cárter	
5	3502476M1	0	Shim W/Pad(As Req'd) Xd	Cale	Ausgleichsscheibe	Calce	
5	3510645M1	0	Shim As Required Xd	Cale	Ausgleichsscheibe	Calce	
6	3502475M2	4	Wear Pad - Extending Dipper	Patin D'Usure	Verschleißkissen	Patín De Desgaste	
7	3501658M2	1	Pad-Collar Wear	Patin D'Usure	Verschleißkissen	Patín De Desgaste	
8	3502938M1	0	Shim As Required X1	Cale	Ausgleichsscheibe	Calce	
8	3502939M1	0	Shim As Required X1	Cale	Ausgleichsscheibe	Calce	
8	3502940M1	0	Shim, 1mm - Extending Dipper	Cale	Ausgleichsscheibe	Calce	
8	3510862M1	0	Shim As Required Xd	Cale	Ausgleichsscheibe	Calce	
9	6106164M1	1	Plate, Lower Scraper - Ext. Dipper	Plaque	Platte	Placa	
10	6007797M1	5	Screw M12 X 30	Vis	Schraube	Tornillo	
12	6102971M1	1	Bar-Top Wear Pad Retainer	Dispositif De Retenue	Befestigungsteil	Fijacion	
13	3501658M2	1	Pad-Collar Wear	Patin D'Usure	Verschleißkissen	Patín De Desgaste	
14	6108692M1	4	Decal - Operators Instruction Book	Adhésif	Aufkleber	Adhesivo	
15	3009464X1	6	Screw : M12 X 35 - ISO 10.9 ( Zinc )	Vis - M12 X 35	Schraube - M12 X 35	Tornillo	
16	6111887M1	1	Plate	Plaque	Platte	Placa	
17	3501624M1	1	Pin 31.7 X 195mm	Axe	Bolzen	Pasador	
18	355973X1	2	Ring Snap	Segment D'Arrêt	Sicherungsring	Anillo De Resorte	
19	6108900M1	1	Pin, Transport Lock - Extending Dipper	Goupille	Bolzen	Pasador	
20	810285M92	1	Linch Pin & Ring	Goupille D'Arrêt	Klappstecker	Pasador De Parada	
21	D142787	2	Saddle (See 142787d)	Selle	Sattel	Bloque De Caucho	
22	3517728M1	2	Clip Jubilee 80-100	Bride Pour Tutaux	Schlauchschelle	Clip	
23	6100599M91	1	Tube Assy	Ensemble Tube	Rohr Kpl	Conjunto De Tubería	
24	835013M91	1	Connector 7/8 Jic	Raccord	Schraubanschluss	Conexión, Conj.	
25	#UNION	1	Union	Union	Union	Union	Ref. 24
26	835024M1	1	Ring O - Boa	Joint Torique	O Ring	Junta De Tipo O	
27	5000127M91	1	Cylinder Extendable Dipper	L'Hie Hydraulique	Zylinder Hydr.	Gato, Conj.	73006c02.1 1







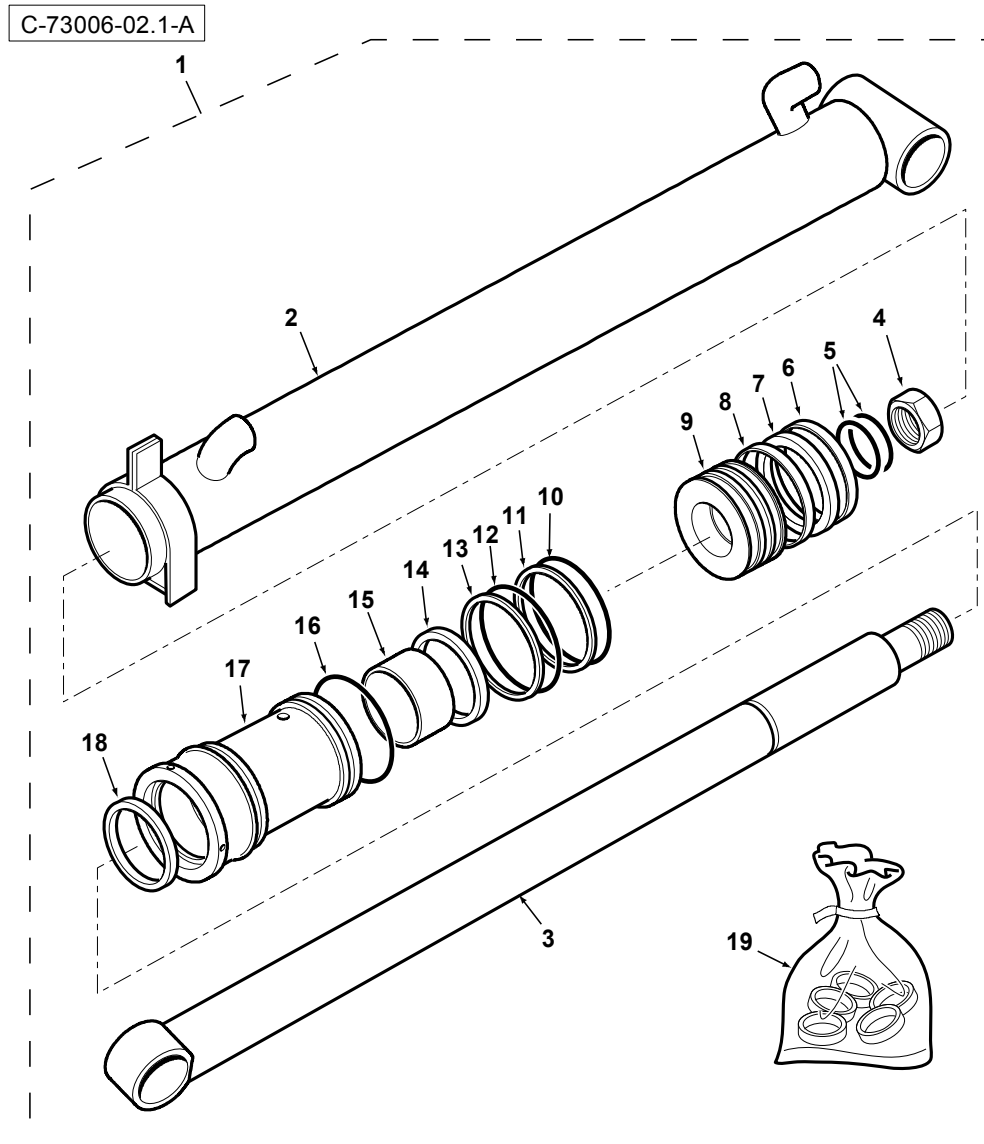
Item	Part No.	Qty.	English	French	German	Spanish	Remarks
28	355973X1	2	Ring Snap	Segment D'Arrêt	Sicherungsring	Anillo De Resorte	
29	3501625M1	1	Pin Cyl Rod End X1	Axe	Bolzen	Pasador	
30	6100603M91	1	Connector Long	Borne	Doppelnippel	Unión	
31	#UNION	1	Union	Union	Union	Union	Ref. 30
32	835024M1	1	Ring O - Boa	Joint Torique	O Ring	Junta De Tipo O	
33	3502477M1	0	Shim-W/Pad(As Reqd)Xd	Cale	Ausgleichsscheibe	Calce	
33	3510644M1	0	Shim As Required X1	Cale	Ausgleichsscheibe	Calce	
34	3502473M2	2	Wear Pad, Inner - Ext. Dipper	Patin D&Ushare	Verschleißkissen	Patín De Desgaste	
35	6102559M1	1	Wear Pad Lower	Patin D&Ushare	Verschleißkissen	Patín De Desgaste	Torque Figures
36	3502976M2	2	Shim 3.00mm X1	Cale	Ausgleichsscheibe	Calce	Bottom
36	3502975M2	2	Shim 2.00mm X1	Cale	Ausgleichsscheibe	Calce	Top
36	3501975M2	2	Shim 1.00mm Xd X1	Cale	Ausgleichsscheibe	Calce	
37	3501655M2	2	Pad Spacer Xd	Entretoise	Distanzstück	Traviesa	
38	3517491M1	2	Bolt M24-90 10.9	Goupille	Sechskantschraube	Tornillo	
39	896-11024	2	Washer-Harden-M24	Rondelle - M24	Scheibe - M24	Arandela	
40	6102519M91	1	Cover Plate Assy	Plaque	Platte	Placa	
41	6102518M1	1	Wear Pad Upper	Patin D&Ushare	Verschleißkissen	Patín De Desgaste	
42	6108789M91	1	Dipper Tele Exdip Jcb	Ensemble De Rallonge	Verlängerung Kpl.	Extensión, Conj.	
43	#BODY	1	Body	Body	Body	Body	Ref. 42
44	339608X1	1	Grease Nipple - M10 X 1 (Zinc)	Nipple De Graissage	Schmiernippel	Engrasador	
45	3504012M1	1	Adaptor - Grease Nipple	Adaptateur	Reduziernippel	Adaptador	
46	6106532M1	2	Bush-Dipper	Douille	Büchse	Anillo	
47	339608X1	1	Grease Nipple - M10 X 1 (Zinc)	Nipple De Graissage	Schmiernippel	Engrasador	
48	3522720M2	1	Pin Dgr Bkt Ram Extbl	Goupille	Bolzen	Pasador	
49	3501289M1	1	Bolt M10-110 Z5s	Boulon	Sechskantschraube	Tornillo	
50	1440329X1	1	Nut, Hex. - Nyloc, M10	Ecrou Blocage	Flachmutter M10	Tuerca De Retención	
51	3522693M2	1	Pin Dipper/Boom Pivot	Axe	Bolzen	Pasador	
52	3501289M1	2	Bolt M10-110 Z5s	Boulon	Sechskantschraube	Tornillo	
53	1440329X1	2	Nut, Hex. - Nyloc, M10	Ecrou Blocage	Flachmutter M10	Tuerca De Retención	
54	3522693M2	1	Pin Dipper/Boom Pivot	Axe	Bolzen	Pasador	





<b>Item</b>	<b>Part No.</b>	<b>Qty.</b>	<b>English</b>	<b>French</b>	<b>German</b>	<b>Spanish</b>	<b>Remarks</b>
55	3501289M1	2	Bolt M10-110 Z5s	Boulon	Sechskantschraube	Tornillo	
56	1440329X1	2	Nut, Hex. - Nyloc, M10	Ecrou Blocage	Flachmutter M10	Tuerca De Retención	
57	3501027M1	2	Washer M44-65-5 R	Rondelle	Scheibe	Arandela	

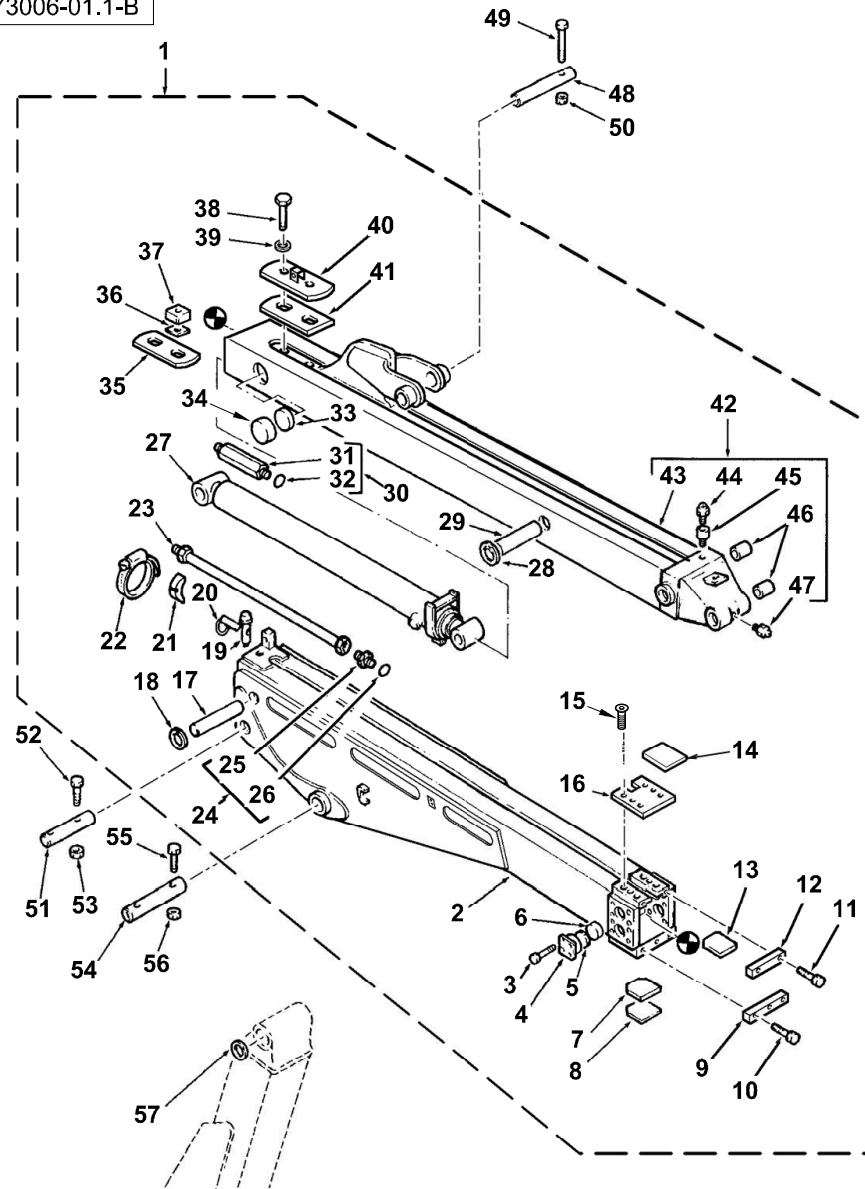




Item	Part No.	Qty.	English	French	German	Spanish	Remarks
1	5000127M91	1	Cylinder Extendable Dipper	L´Hie Hydraulique	Zylinder Hydr.	Gato, Conj.	73006c01.1 28
2	5003920M91	1	Barrel Assy	Barrel Assy	Barrel Assy	Barrel Assy	
3	5005266M91	1	Piston Rod Assy	Tige De Vérin	Kolbenstange	Pistón De Gato	
4	1607689M1	1	Lock Nut	Ecrou	Kontermutter	Tuerca De Retención	
5	1748324M1	2	O Ring	Joint Torique	O Ring	Junta De Tipo O	
6	3487078M1	1	Ring - Piston Guide	Anneau	Ring	Aro	
7	3443573M2	1	Seal Piston	Joint	Dichtung	Junta	
8	3487078M1	1	Ring - Piston Guide	Anneau	Ring	Aro	
9	5003929M1	1	Piston	Piston	Kolben	Pistón	
10	1442891X1	1	O-Ring	Joint Torique	O-Ring	Junta De Tipo O	
11	5001306M1	1	Ring, Back-Up	Contre Bague	Stützring	ContraJunta	
12	1441120X1	1	O-Ring	Joint Torique	O-Ring	Junta De Tipo O	
13	1881527M1	1	Ring Backup	Anneau	Ring	Aro	
14	3485976M1	1	Seal-40*55*10	Joint D´Arbre	Wellendichtring	Junta	
15	5001605M1	1	Bearing	Roulement	Lager	Cojinete	
16	3487585M1	1	O Ring	Joint Torique	O Ring	Junta De Tipo O	
17	5004084M91	1	Bearing Assy	Roulement	Radiallager	Cojinete	
18	1605446M1	1	Wiper Ring-40*50*7*10	Racleur	Wischer	Raspador, Escobilla	
19	5005362M91	0	Kit, Seal - Ext. Dipper Cylinder	Jeu Étanchéité	Dichtringsatz	Juego De Juntas	



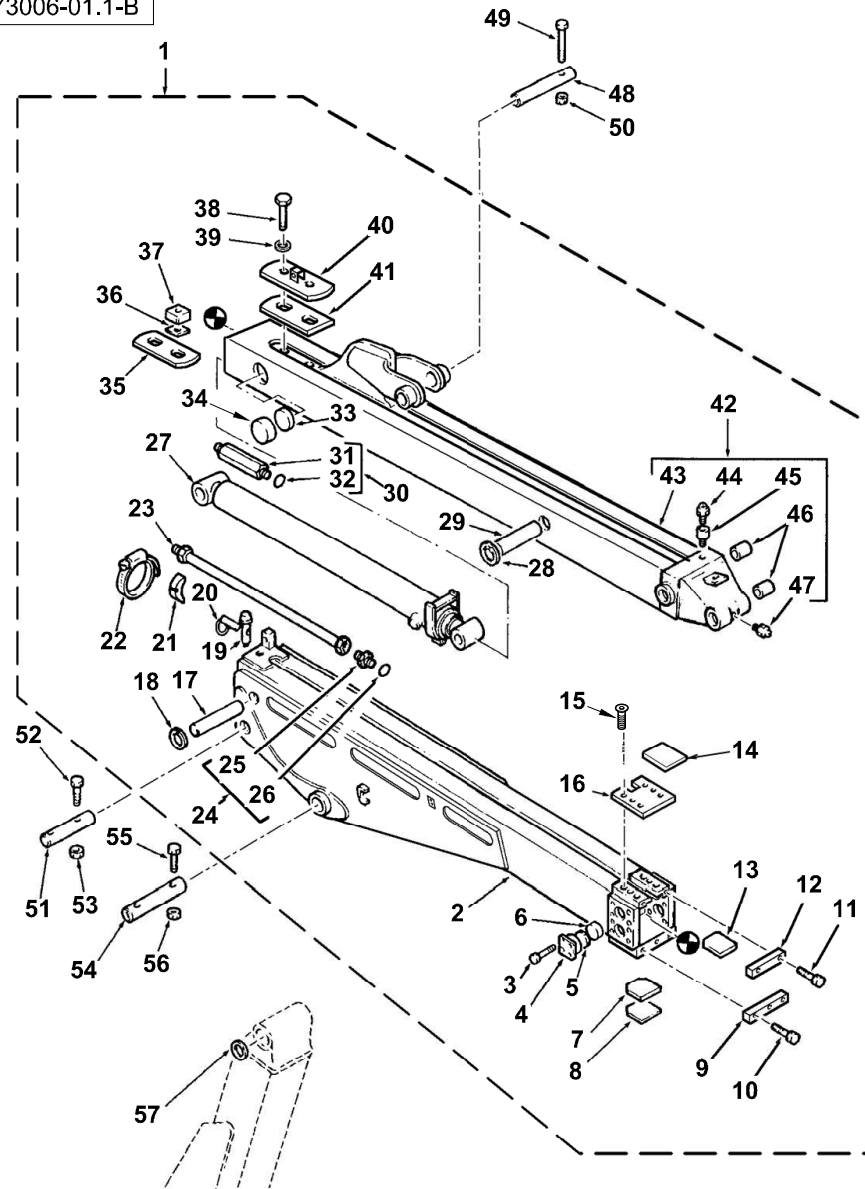
C-73006-01.1-B



Item	Part No.	Qty.	English	French	German	Spanish	Remarks
1	6108790M92	1	Ext Dipper 4.75 (Jcb End)	Ensemble De Balancier	Löffelarm Kpl.	Balancín, Conj.	
2	6100743M96	1	Housing W/A - Ext. Dipper	Carter	Gehäuse	Cárter, Conj.	
3	3009492X1	16	Bolt - Hex. M10 X 25	Boulon M10 X 25	Schraube M10 X 25	Tornillo	
4	6106121M1	4	Casting-Wear Pad Housing	Carter	Gehäuse	Cárter	
5	3502476M1	0	Shim W/Pad(As Req'd) Xd	Cale	Ausgleichsscheibe	Calce	
5	3510645M1	0	Shim As Required Xd	Cale	Ausgleichsscheibe	Calce	
6	3502475M2	4	Wear Pad - Extending Dipper	Patin D'Usure	Verschleißkissen	Patín De Desgaste	
7	3501658M2	1	Pad-Collar Wear	Patin D'Usure	Verschleißkissen	Patín De Desgaste	
8	3502938M1	0	Shim As Required X1	Cale	Ausgleichsscheibe	Calce	
8	3502939M1	0	Shim As Required X1	Cale	Ausgleichsscheibe	Calce	
8	3502940M1	0	Shim, 1mm - Extending Dipper	Cale	Ausgleichsscheibe	Calce	
8	3510862M1	0	Shim As Required Xd	Cale	Ausgleichsscheibe	Calce	
9	6106164M1	1	Plate, Lower Scraper - Ext. Dipper	Plaque	Platte	Placa	
10	6007797M1	5	Screw M12 X 30	Vis	Schraube	Tornillo	
12	6102971M1	1	Bar-Top Wear Pad Retainer	Dispositif De Retenue	Befestigungsteil	Fijacion	
13	3501658M2	1	Pad-Collar Wear	Patin D'Usure	Verschleißkissen	Patín De Desgaste	
14	6108692M1	4	Decal - Operators Instruction Book	Adhésif	Aufkleber	Adhesivo	
15	3009464X1	6	Screw : M12 X 35 - ISO 10.9 ( Zinc )	Vis - M12 X 35	Schraube - M12 X 35	Tornillo	
16	6111887M1	1	Plate	Plaque	Platte	Placa	
17	3501624M1	1	Pin 31.7 X 195mm	Axe	Bolzen	Pasador	
18	355973X1	2	Ring Snap	Segment D'Arrêt	Sicherungsring	Anillo De Resorte	
19	6108900M1	1	Pin, Transport Lock - Extending Dipper	Goupille	Bolzen	Pasador	
20	810285M92	1	Linch Pin & Ring	Goupille D'Arrêt	Klappstecker	Pasador De Parada	
21	D142787	2	Saddle (See 142787d)	Selle	Sattel	Bloque De Caucho	
22	3517728M1	2	Clip Jubilee 80-100	Bride Pour Tutaux	Schlauchschelle	Clip	
23	6100599M91	1	Tube Assy	Ensemble Tube	Rohr Kpl	Conjunto De Tubería	
24	835013M91	1	Connector 7/8 Jic	Raccord	Schraubanschluss	Conexión, Conj.	
25	#UNION	1	Union	Union	Union	Union	Ref. 24
26	835024M1	1	Ring O - Boa	Joint Torique	O Ring	Junta De Tipo O	
27	5000127M91	1	Cylinder Extendable Dipper	L' Hie Hydraulique	Zylinder Hydr.	Gato, Conj.	73006c02.1 1



C-73006-01.1-B

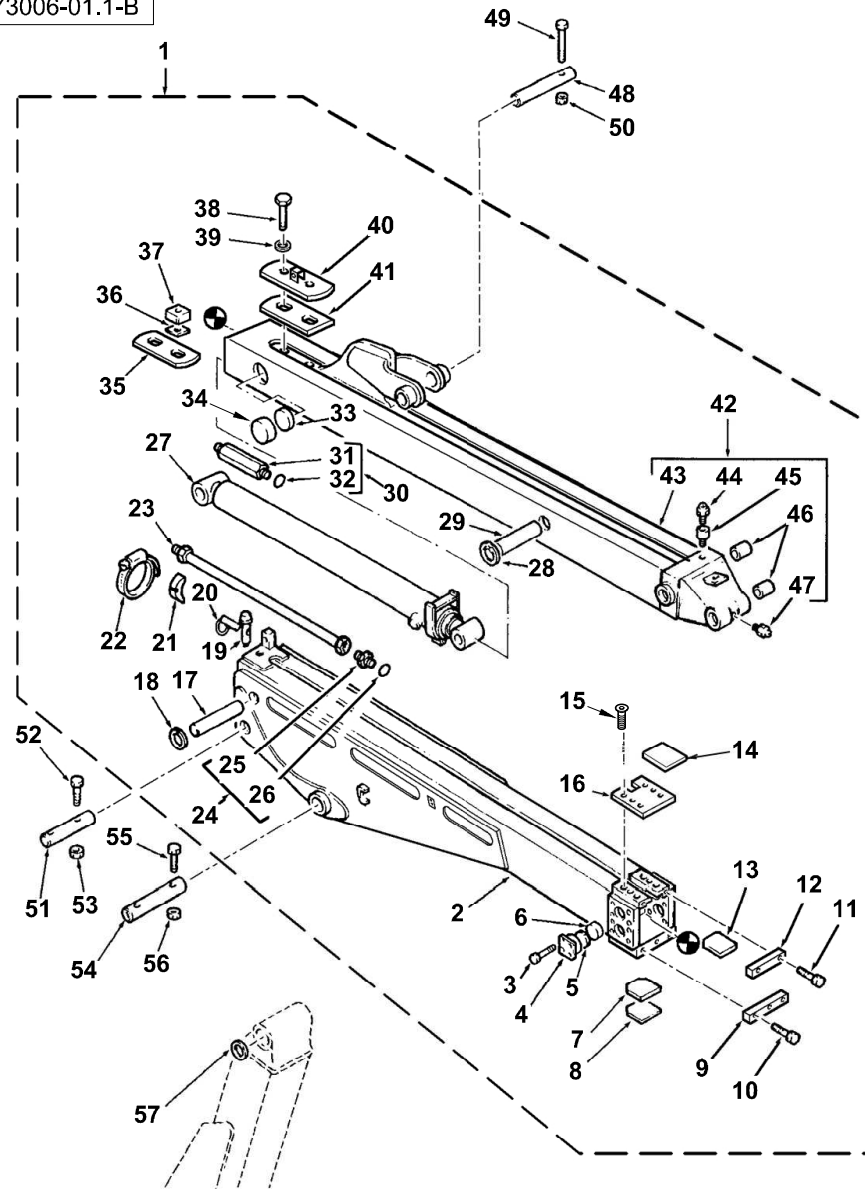




Item	Part No.	Qty.	English	French	German	Spanish	Remarks
28	355973X1	2	Ring Snap	Segment D´Arrêt	Sicherungsring	Anillo De Resorte	
29	3501625M1	1	Pin Cyl Rod End X1	Axe	Bolzen	Pasador	
30	6100603M91	1	Connector Long	Borne	Doppelnippel	Unión	
31	#UNION	1	Union	Union	Union	Union	Ref. 30
32	835024M1	1	Ring O - Boa	Joint Torique	O Ring	Junta De Tipo O	
33	3502477M1	0	Shim-W/Pad(As Reqd)Xd	Cale	Ausgleichsscheibe	Calce	
33	3510644M1	0	Shim As Required X1	Cale	Ausgleichsscheibe	Calce	
34	3502473M2	2	Wear Pad, Inner - Ext. Dipper	Patin D&Ushare	Verschleißkissen	Patín De Desgaste	
35	6102559M1	1	Wear Pad Lower	Patin D&Ushare	Verschleißkissen	Patín De Desgaste	Torque Figures
36	3502976M2	2	Shim 3.00mm X1	Cale	Ausgleichsscheibe	Calce	Bottom
36	3502975M2	2	Shim 2.00mm X1	Cale	Ausgleichsscheibe	Calce	Top
36	3501975M2	2	Shim 1.00mm Xd X1	Cale	Ausgleichsscheibe	Calce	
37	3501655M2	2	Pad Spacer Xd	Entretoise	Distanzstück	Traviesa	
38	3517491M1	2	Bolt M24-90 10.9	Goupille	Sechskantschraube	Tornillo	
39	896-11024	2	Washer-Harden-M24	Rondelle - M24	Scheibe - M24	Arandela	
40	6102519M91	1	Cover Plate Assy	Plaque	Platte	Placa	
41	6102518M1	1	Wear Pad Upper	Patin D&Ushare	Verschleißkissen	Patín De Desgaste	
42	6108789M91	1	Dipper Tele Exdip Jcb	Ensemble De Rallonge	Verlängerung Kpl.	Extensión, Conj.	
43	#BODY	1	Body	Body	Body	Body	Ref. 42
44	339608X1	1	Grease Nipple - M10 X 1 (Zinc)	Nipple De Graissage	Schmiernippel	Engrasador	
45	3504012M1	1	Adaptor - Grease Nipple	Adaptateur	Reduziernippel	Adaptador	
46	6106532M1	2	Bush-Dipper	Douille	Büchse	Anillo	
47	339608X1	1	Grease Nipple - M10 X 1 (Zinc)	Nipple De Graissage	Schmiernippel	Engrasador	
48	3522720M2	1	Pin Dgr Bkt Ram Extbl	Goupille	Bolzen	Pasador	
49	3501289M1	1	Bolt M10-110 Z5s	Boulon	Sechskantschraube	Tornillo	
50	1440329X1	1	Nut, Hex. - Nyloc, M10	Ecrou Blocage	Flachmutter M10	Tuerca De Retención	
51	3522693M2	1	Pin Dipper/Boom Pivot	Axe	Bolzen	Pasador	
52	3501289M1	2	Bolt M10-110 Z5s	Boulon	Sechskantschraube	Tornillo	
53	1440329X1	2	Nut, Hex. - Nyloc, M10	Ecrou Blocage	Flachmutter M10	Tuerca De Retención	
54	3522693M2	1	Pin Dipper/Boom Pivot	Axe	Bolzen	Pasador	

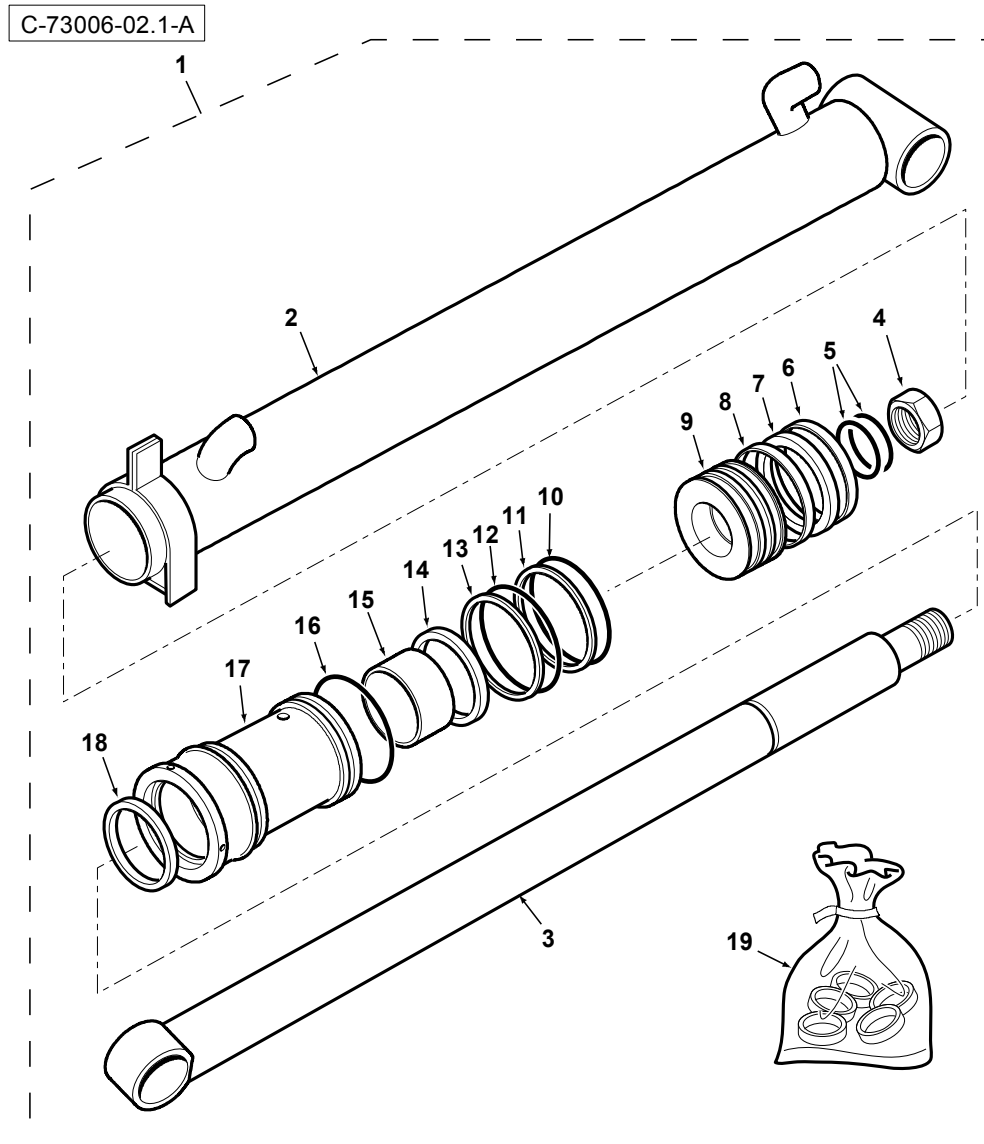


C-73006-01.1-B



Item	Part No.	Qty.	English	French	German	Spanish	Remarks
55	3501289M1	2	Bolt M10-110 Z5s	Boulon	Sechskantschraube	Tornillo	
56	1440329X1	2	Nut, Hex. - Nyloc, M10	Ecrou Blocage	Flachmutter M10	Tuerca De Retención	
57	3501027M1	2	Washer M44-65-5 R	Rondelle	Scheibe	Arandela	

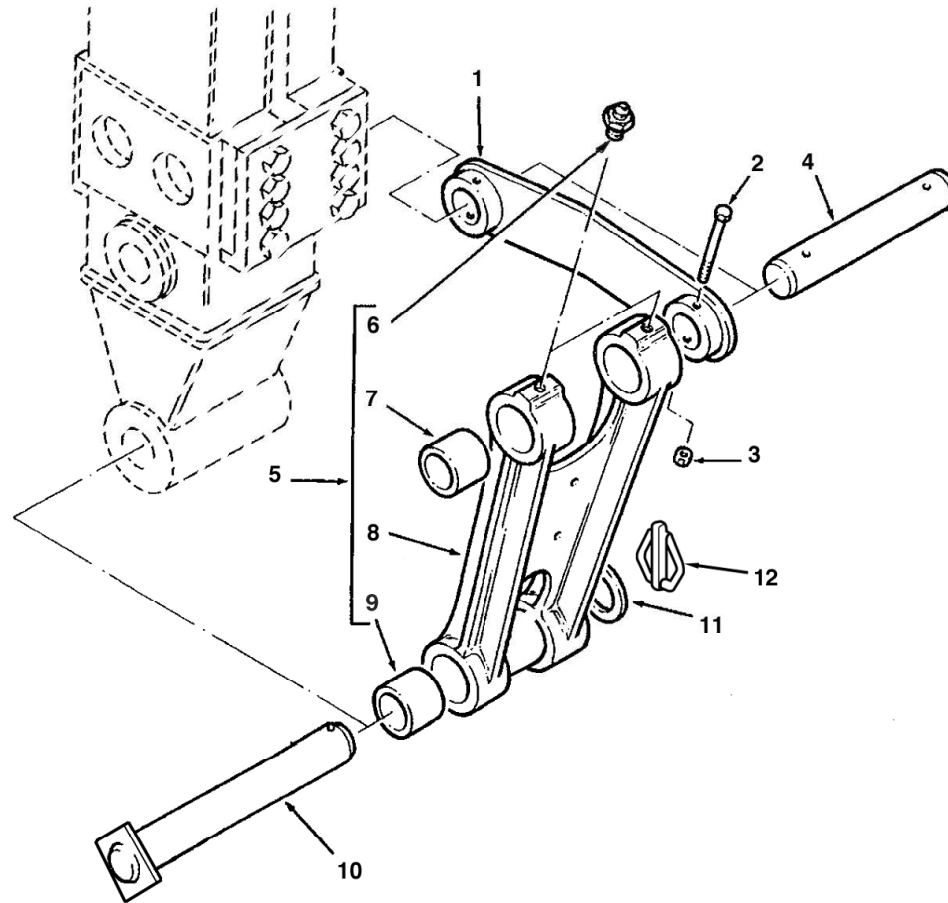




Item	Part No.	Qty.	English	French	German	Spanish	Remarks
1	5000127M91	1	Cylinder Extendable Dipper	L´Hie Hydraulique	Zylinder Hydr.	Gato, Conj.	73006c01.1 28
2	5003920M91	1	Barrel Assy	Barrel Assy	Barrel Assy	Barrel Assy	
3	5005266M91	1	Piston Rod Assy	Tige De Vérin	Kolbenstange	Pistón De Gato	
4	1607689M1	1	Lock Nut	Ecrou	Kontermutter	Tuerca De Retención	
5	1748324M1	2	O Ring	Joint Torique	O Ring	Junta De Tipo O	
6	3487078M1	1	Ring - Piston Guide	Anneau	Ring	Aro	
7	3443573M2	1	Seal Piston	Joint	Dichtung	Junta	
8	3487078M1	1	Ring - Piston Guide	Anneau	Ring	Aro	
9	5003929M1	1	Piston	Piston	Kolben	Pistón	
10	1442891X1	1	O-Ring	Joint Torique	O-Ring	Junta De Tipo O	
11	5001306M1	1	Ring, Back-Up	Contre Bague	Stützring	ContraJunta	
12	1441120X1	1	O-Ring	Joint Torique	O-Ring	Junta De Tipo O	
13	1881527M1	1	Ring Backup	Anneau	Ring	Aro	
14	3485976M1	1	Seal-40*55*10	Joint D´Arbre	Wellendichtring	Junta	
15	5001605M1	1	Bearing	Roulement	Lager	Cojinete	
16	3487585M1	1	O Ring	Joint Torique	O Ring	Junta De Tipo O	
17	5004084M91	1	Bearing Assy	Roulement	Radiallager	Cojinete	
18	1605446M1	1	Wiper Ring-40*50*7*10	Racleur	Wischer	Raspador, Escobilla	
19	5005362M91	0	Kit, Seal - Ext. Dipper Cylinder	Jeu Étanchéité	Dichtringsatz	Juego De Juntas	



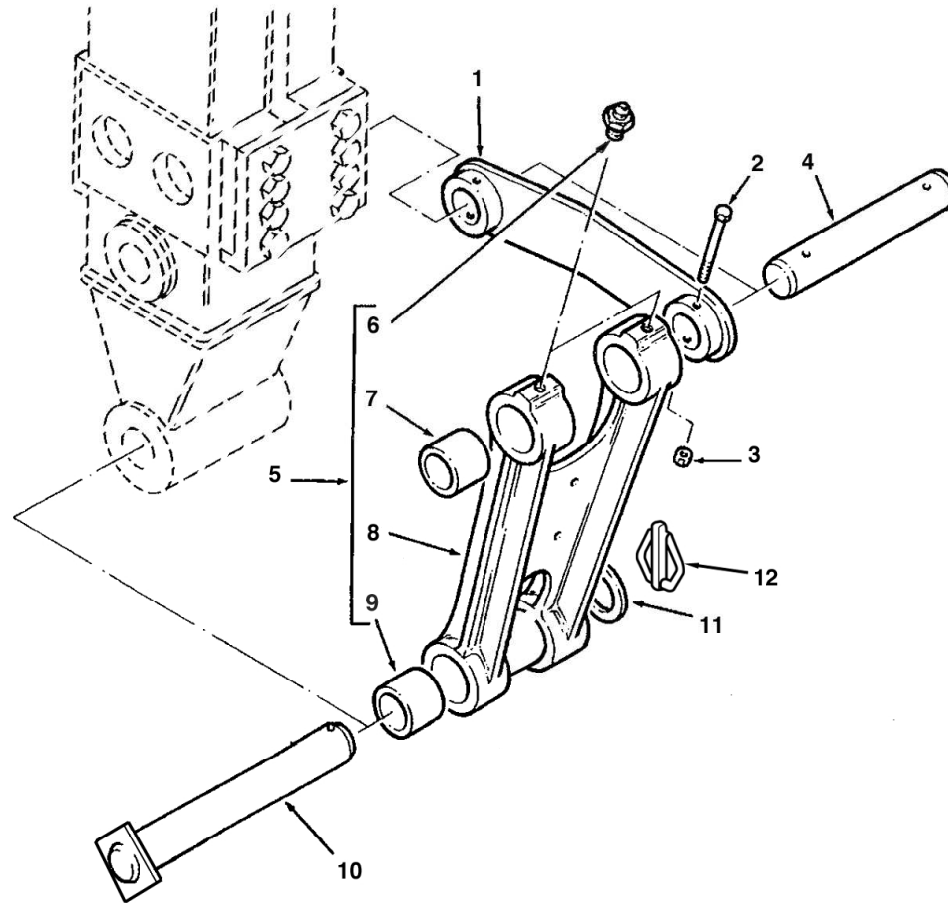
C-74001-01.1-A



Item	Part No.	Qty.	English	French	German	Spanish	Remarks
1	3500023M91	2	Link Pivot Dgr	Maillon Ass.	Gelenkstange Kplt	Eslabón, Conj.	
2	1441106X1	4	Bolt M10 X 100 - Zinc (Iso 10.9)	Boulon	Bolzen	Tornillo	
3	1440329X1	4	Nut, Hex. - Nyloc, M10	Ecrou Blocage	Flachmutter M10	Tuerca De Retención	
4	3522696M2	2	Pin 307 Dgr Links	Goupille	Bolzen	Pasador	
5	3522442M92	1	H Link Assy	Ensemble De Maillon	Gelenkstange Kpl.	Eslabón, Conj.	
6	339608X1	3	Grease Nipple - M10 X 1 (Zinc)	Nipple De Graissage	Schmiernippel	Engrasador	
7	3500009M3	2	Bush, Boom/Dipper Mounting	Douille	Buechse	Anillo	
8	#LINK	1	Link	Link	Link	Link	Ref. 5
9	3500009M3	2	Bush, Boom/Dipper Mounting	Douille	Buechse	Anillo	
10	3516519M94	2	Pin & Plate 45-322,5	Axe	Bolzen	Pasador	
11	3501790M1	2	Washer M46-65-5 Z	Rondelle	Scheibe	Arandela	
12	3516522M91	2	Pin Safety Linch	Goupille D'Arrêt	Klappstecker	Pasador De Parada	



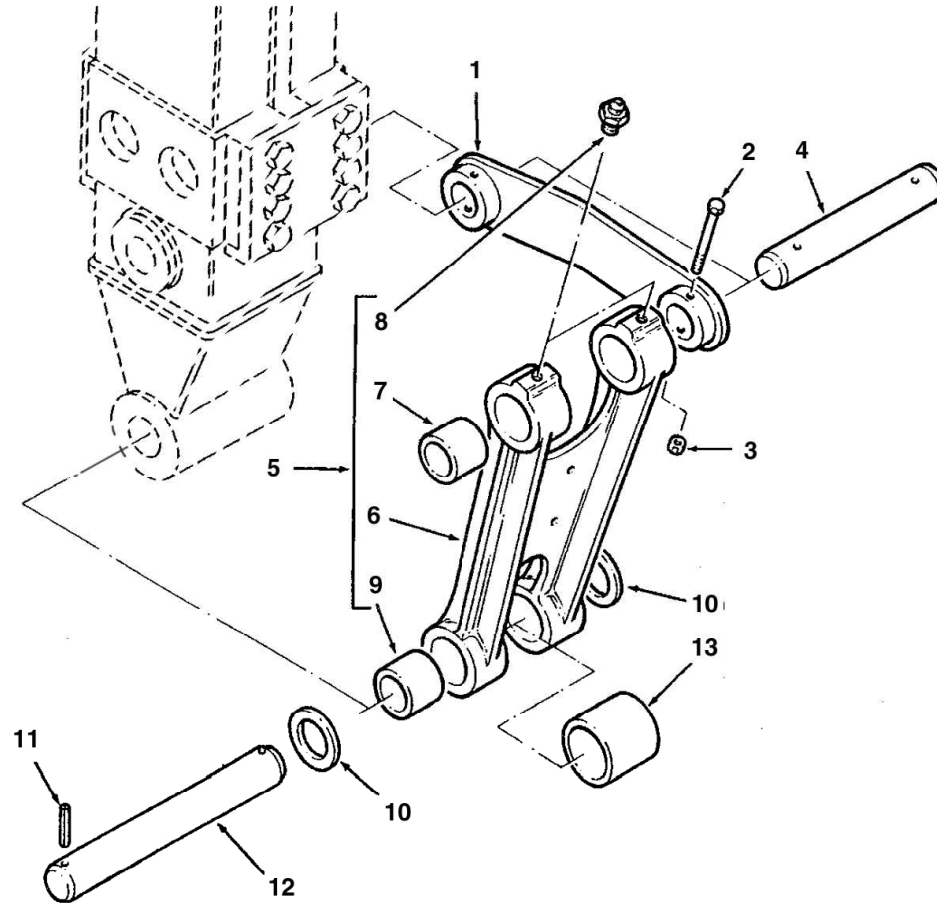
C-74001-01.1-A





Item	Part No.	Qty.	English	French	German	Spanish	Remarks
1	3500023M91	2	Link Pivot Dgr	Maillon Ass.	Gelenkstange Kplt	Eslabón, Conj.	
2	1441106X1	4	Bolt M10 X 100 - Zinc (Iso 10.9)	Boulon	Bolzen	Tornillo	
3	1440329X1	4	Nut, Hex. - Nyloc, M10	Ecrou Blocage	Flachmutter M10	Tuerca De Retención	
4	3522696M2	2	Pin 307 Dgr Links	Goupille	Bolzen	Pasador	
5	3522442M92	1	H Link Assy	Ensemble De Maillon	Gelenkstange Kpl.	Eslabón, Conj.	
6	339608X1	3	Grease Nipple - M10 X 1 (Zinc)	Nipple De Graissage	Schmiernippel	Engrasador	
7	3500009M3	2	Bush, Boom/Dipper Mounting	Douille	Buechse	Anillo	
8	#LINK	1	Link	Link	Link	Link	Ref. 5
9	3500009M3	2	Bush, Boom/Dipper Mounting	Douille	Buechse	Anillo	
10	3516519M94	2	Pin & Plate 45-322,5	Axe	Bolzen	Pasador	
11	3501790M1	2	Washer M46-65-5 Z	Rondelle	Scheibe	Arandela	
12	3516522M91	2	Pin Safety Linch	Goupille D'Arrêt	Klappstecker	Pasador De Parada	

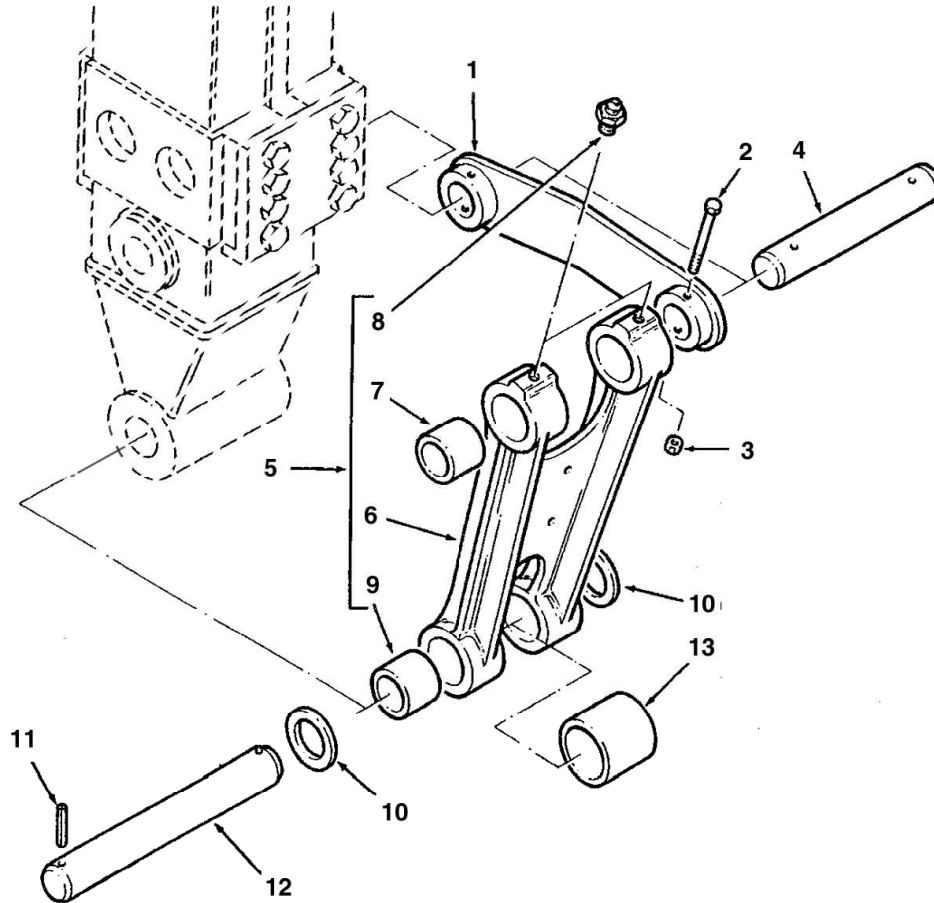
C-74002-01.1-A



Item	Part No.	Qty.	English	French	German	Spanish	Remarks
1	3500023M91	2	Link Pivot Dgr	Maillon Ass.	Gelenkstange Kplt	Eslabón, Conj.	
2	1441106X1	4	Bolt M10 X 100 - Zinc (Iso 10.9)	Boulon	Bolzen	Tornillo	
3	1440329X1	4	Nut, Hex. - Nyloc, M10	Ecrou Blocage	Flachmutter M10	Tuerca De Retención	
4	3522696M2	2	Pin 307 Dgr Links	Goupille	Bolzen	Pasador	
5	3508449M92	1	Link H Bucket	Maillon	Gelenkstange	Eslabón, Conj.	
6	#LINK	1	Link	Link	Link	Link	Ref.5
7	3500009M3	2	Bush, Boom/Dipper Mounting	Douille	Buechse	Anillo	
8	339608X1	4	Grease Nipple - M10 X 1 (Zinc)	Nipple De Graissage	Schmiernippel	Engrasador	
9	6106532M1	2	Bush-Dipper	Douille	Büchse	Anillo	
10	3501790M1	4	Washer M46-65-5 Z	Rondelle	Scheibe	Arandela	
11	375096X1	4	Pin Cotter 10-76	Goupille D´Arrêt	Klappstecker	Pasador De Parada	
12	6106549M1	2	Pin - Bucket Link	Axe	Bolzen	Pasador	
13	3508456M1	1	Spacer	Entretoise	Distanzstück	Traviesa	



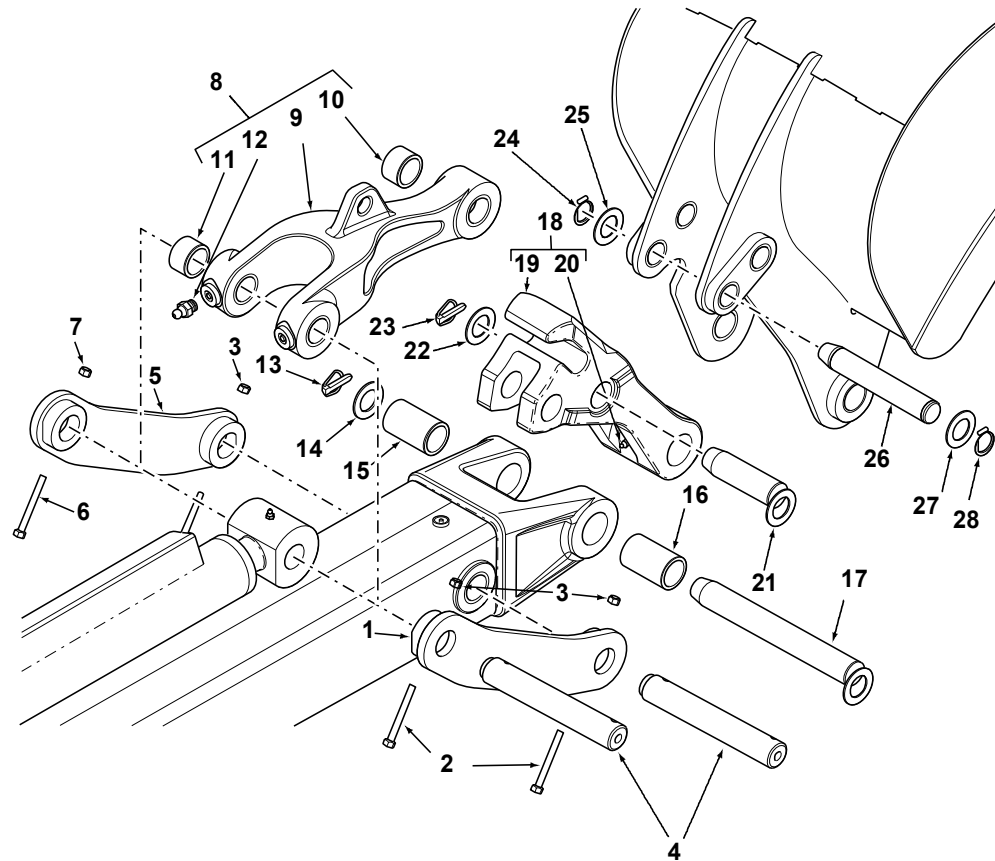
C-74002-01.1-A



Item	Part No.	Qty.	English	French	German	Spanish	Remarks
1	3500023M91	2	Link Pivot Dgr	Maillon Ass.	Gelenkstange Kplt	Eslabón, Conj.	
2	1441106X1	4	Bolt M10 X 100 - Zinc (Iso 10.9)	Boulon	Bolzen	Tornillo	
3	1440329X1	4	Nut, Hex. - Nyloc, M10	Ecrou Blocage	Flachmutter M10	Tuerca De Retención	
4	3522696M2	2	Pin 307 Dgr Links	Goupille	Bolzen	Pasador	
5	3508449M92	1	Link H Bucket	Maillon	Gelenkstange	Eslabón, Conj.	
6	#LINK	1	Link	Link	Link	Link	Ref.5
7	3500009M3	2	Bush, Boom/Dipper Mounting	Douille	Buechse	Anillo	
8	339608X1	4	Grease Nipple - M10 X 1 (Zinc)	Nipple De Graissage	Schmiernippel	Engrasador	
9	6106532M1	2	Bush-Dipper	Douille	Büchse	Anillo	
10	3501790M1	4	Washer M46-65-5 Z	Rondelle	Scheibe	Arandela	
11	375096X1	4	Pin Cotter 10-76	Goupille D´Arrêt	Klappstecker	Pasador De Parada	
12	6106549M1	2	Pin - Bucket Link	Axe	Bolzen	Pasador	
13	3508456M1	1	Spacer	Entretoise	Distanzstück	Traviesa	



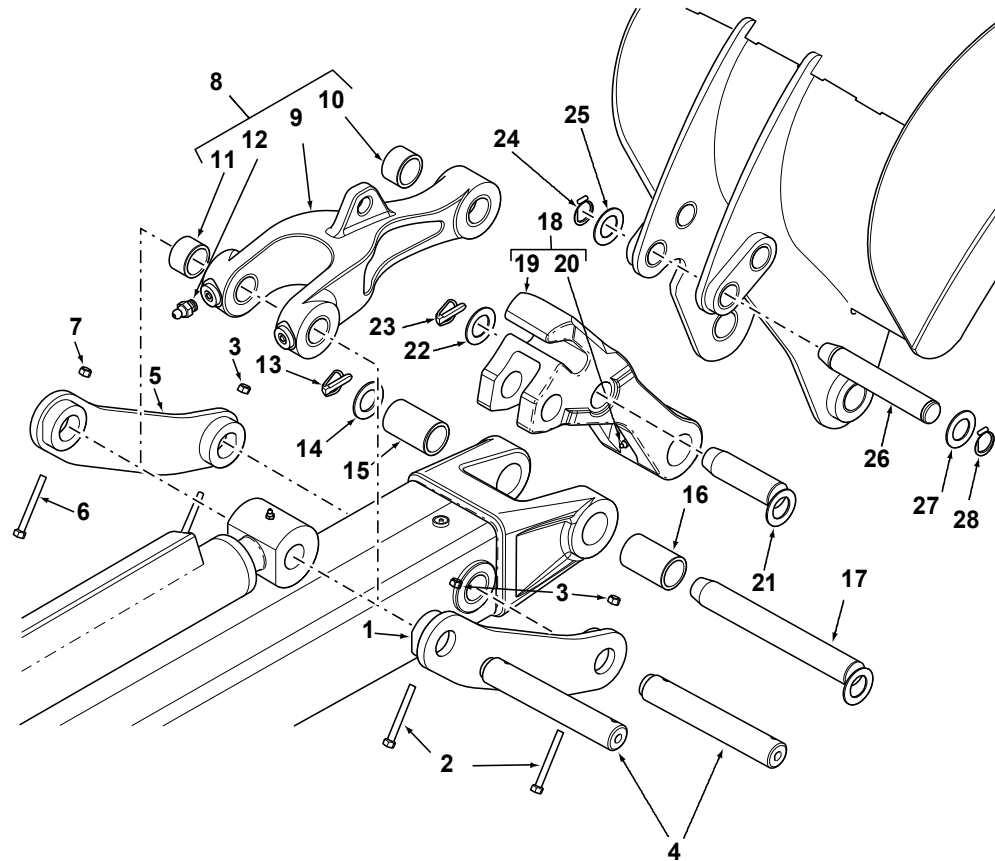
C-74003-01.1-A



Item	Part No.	Qty.	English	French	German	Spanish	Remarks
1	6100171M91W01	1	Link-"Case" Digger Bucket (Terex White)	Maillon	Glied	Eslabón, Conj.	
1	6100171M91Y02	1	Link-Case Digger Bucket (Benford Yellow)	Ensemble De Maillon	Gelenkstange Kpl.	Eslabón, Conj.	
2	1441106X1	2	Bolt M10 X 100 - Zinc (Iso 10.9)	Boulon	Bolzen	Tornillo	
3	1440329X1	2	Nut, Hex. - Nyloc, M10	Ecrou Blocage	Flachmutter M10	Tuerca De Retención	
4	3522696M2	2	Pin 307 Dgr Links	Goupille	Bolzen	Pasador	
5	6100171M91W01	1	Link-"Case" Digger Bucket (Terex White)	Maillon	Glied	Eslabón, Conj.	
5	6100171M91Y02	1	Link-Case Digger Bucket (Benford Yellow)	Ensemble De Maillon	Gelenkstange Kpl.	Eslabón, Conj.	
6	1441106X1	2	Bolt M10 X 100 - Zinc (Iso 10.9)	Boulon	Bolzen	Tornillo	
7	1440329X1	2	Nut, Hex. - Nyloc, M10	Ecrou Blocage	Flachmutter M10	Tuerca De Retención	
8	6100167M92	1	Link Assy. - Case Buckets	Ensemble De Maillon	Gelenkstange Kpl.	Eslabón, Conj.	
9	#LINK	1	Link	Link	Link	Link	Ref. 8
10	D127172	1	Bush - Case Bucket Linkage	Douille	Büchse	Anillo	
11	3500009M3	2	Bush, Boom/Dipper Mounting	Douille	Buechse	Anillo	
12	339608X1	3	Grease Nipple - M10 X 1 (Zinc)	Nipple De Graissage	Schmiernippel	Engrasador	
13	392181R1	1	Linch Pin & Ring - Case Bucket Linkage	Goupille D´Arrêt	Klappstecker	Pasador De Parada	
14	3501790M1	1	Washer M46-65-5 Z	Rondelle	Scheibe	Arandela	
15	D127168	1	Bushing - Case Bucket Linkage	Bague	Büchse	Anillo	
16	D127168	1	Bushing - Case Bucket Linkage	Bague	Büchse	Anillo	
17	D140655	1	Pin Assy. - 44mm X 349mm, Case Bkt. Link	Goupille Ass	Bolzen Kplt	Pasador, Conj.	
18	6101312M91	1	Coupler Assy - Case Digger Buckets	Maillon De Raccord	Verschlussglied	Eslabón De Conexión	
19	#LINK	1	Link	Link	Link	Link	Ref. 18
20	219-1	1	Grease Fitting - Case Bucket Linkage	Graisse Mtge	Anschlverschrbg	Engrasador	
21	D140653	1	Pin Assy. - 44mm X 152mm, Case Bkt. Link	Goupille Ass.	Bolzen Kplt	Pasador, Conj.	
22	3501790M1	1	Washer M46-65-5 Z	Rondelle	Scheibe	Arandela	
23	392181R1	1	Linch Pin & Ring - Case Bucket Linkage	Goupille D´Arrêt	Klappstecker	Pasador De Parada	
24	D25279	1	Circlip- Case Digger Bucket Linkage	Code Accessoire	Zubehör Code	Código Accesorio	
25	D143324	1	Washer - Case Digger Bucket Linkage	Rondelle	Scheibe	Arandela	
26	D37614	1	Pin, 1.5" X 9.68" - Case Digger Link	Goupille	Bolzen	Pasador	
27	D143324	2	Washer - Case Digger Bucket Linkage	Rondelle	Scheibe	Arandela	
28	D25279	2	Circlip- Case Digger Bucket Linkage	Code Accessoire	Zubehör Code	Código Accesorio	



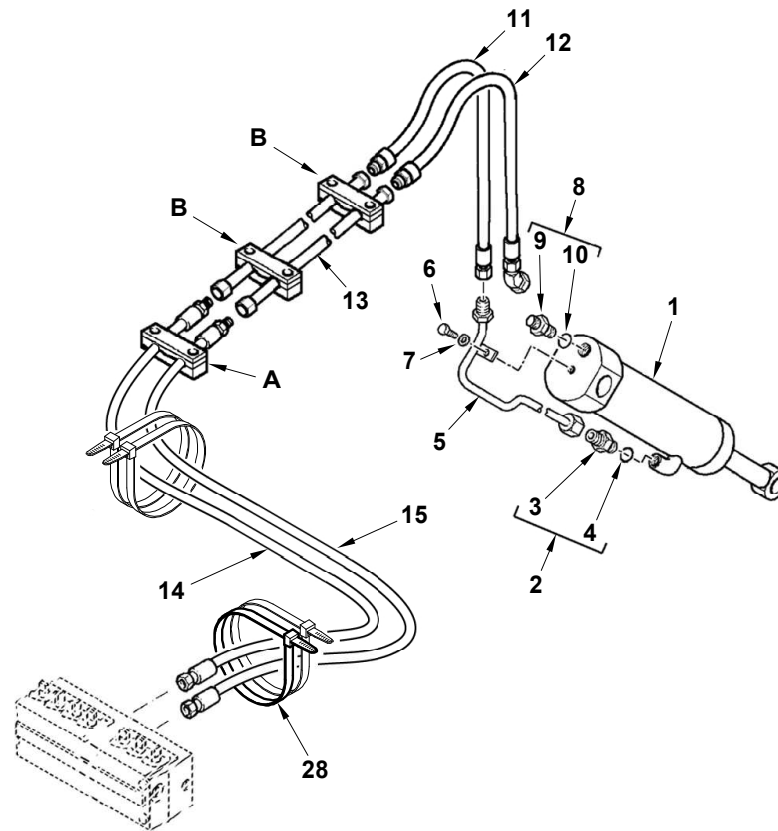
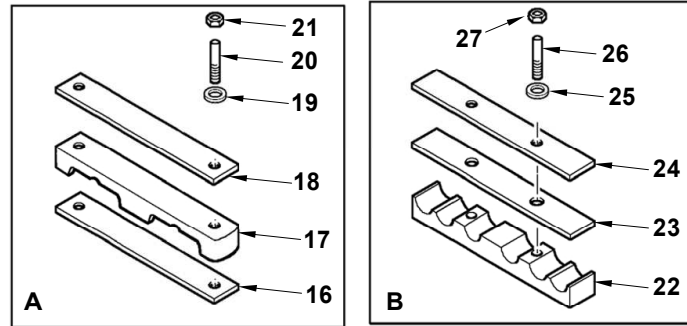
C-74003-01.1-A





Item	Part No.	Qty.	English	French	German	Spanish	Remarks
1	6100171M91W01	1	Link-"Case" Digger Bucket (Terex White)	Maillon	Glied	Eslabón, Conj.	
1	6100171M91Y02	1	Link-Case Digger Bucket (Benford Yellow)	Ensemble De Maillon	Gelenkstange Kpl.	Eslabón, Conj.	
2	1441106X1	2	Bolt M10 X 100 - Zinc (Iso 10.9)	Boulon	Bolzen	Tornillo	
3	1440329X1	2	Nut, Hex. - Nyloc, M10	Ecrou Blocage	Flachmutter M10	Tuerca De Retención	
4	3522696M2	2	Pin 307 Dgr Links	Goupille	Bolzen	Pasador	
5	6100171M91W01	1	Link-"Case" Digger Bucket (Terex White)	Maillon	Glied	Eslabón, Conj.	
5	6100171M91Y02	1	Link-Case Digger Bucket (Benford Yellow)	Ensemble De Maillon	Gelenkstange Kpl.	Eslabón, Conj.	
6	1441106X1	2	Bolt M10 X 100 - Zinc (Iso 10.9)	Boulon	Bolzen	Tornillo	
7	1440329X1	2	Nut, Hex. - Nyloc, M10	Ecrou Blocage	Flachmutter M10	Tuerca De Retención	
8	6100167M92	1	Link Assy. - Case Buckets	Ensemble De Maillon	Gelenkstange Kpl.	Eslabón, Conj.	
9	#LINK	1	Link	Link	Link	Link	Ref. 8
10	D127172	1	Bush - Case Bucket Linkage	Douille	Büchse	Anillo	
11	3500009M3	2	Bush, Boom/Dipper Mounting	Douille	Buechse	Anillo	
12	339608X1	3	Grease Nipple - M10 X 1 (Zinc)	Nipple De Graissage	Schmiernippel	Engrasador	
13	392181R1	1	Linch Pin & Ring - Case Bucket Linkage	Goupille D´Arrêt	Klappstecker	Pasador De Parada	
14	3501790M1	1	Washer M46-65-5 Z	Rondelle	Scheibe	Arandela	
15	D127168	1	Bushing - Case Bucket Linkage	Bague	Büchse	Anillo	
16	D127168	1	Bushing - Case Bucket Linkage	Bague	Büchse	Anillo	
17	D140655	1	Pin Assy. - 44mm X 349mm, Case Bkt. Link	Goupille Ass	Bolzen Kplt	Pasador, Conj.	
18	6101312M91	1	Coupler Assy - Case Digger Buckets	Maillon De Raccord	Verschlussglied	Eslabón De Conexión	
19	#LINK	1	Link	Link	Link	Link	Ref. 18
20	219-1	1	Grease Fitting - Case Bucket Linkage	Graisse Mtge	Anschlverschrbg	Engrasador	
21	D140653	1	Pin Assy. - 44mm X 152mm, Case Bkt. Link	Goupille Ass.	Bolzen Kplt	Pasador, Conj.	
22	3501790M1	1	Washer M46-65-5 Z	Rondelle	Scheibe	Arandela	
23	392181R1	1	Linch Pin & Ring - Case Bucket Linkage	Goupille D´Arrêt	Klappstecker	Pasador De Parada	
24	D25279	1	Circlip- Case Digger Bucket Linkage	Code Accessoire	Zubehör Code	Código Accesorio	
25	D143324	1	Washer - Case Digger Bucket Linkage	Rondelle	Scheibe	Arandela	
26	D37614	1	Pin, 1.5" X 9.68" - Case Digger Link	Goupille	Bolzen	Pasador	
27	D143324	2	Washer - Case Digger Bucket Linkage	Rondelle	Scheibe	Arandela	
28	D25279	2	Circlip- Case Digger Bucket Linkage	Code Accessoire	Zubehör Code	Código Accesorio	

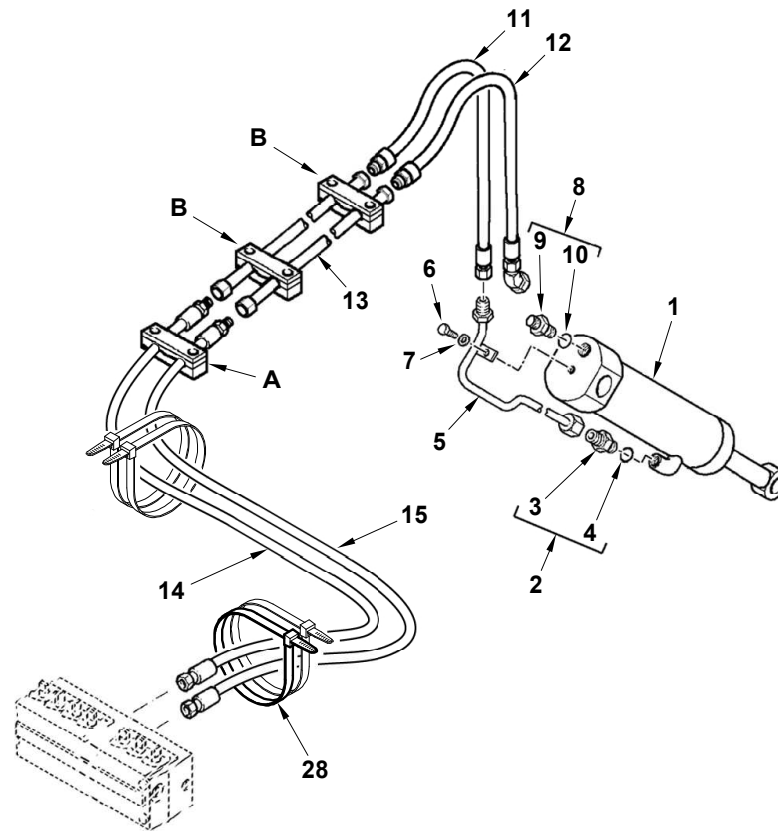
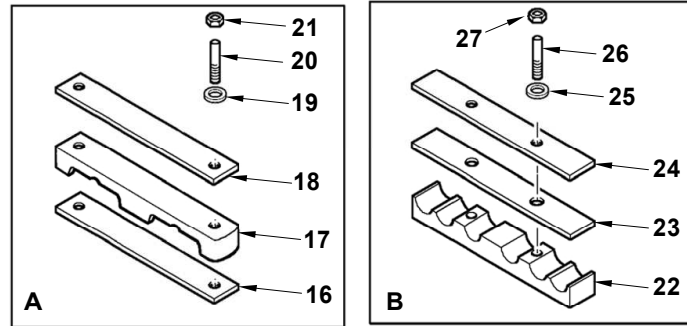
C-76032-01.1-B



Item	Part No.	Qty.	English	French	German	Spanish	Remarks
1	#CYLINDER ASSY	1	Cylinder Assy	Cylinder Assy	Cylinder Assy	Cylinder Assy	[76032c02.1 1] [76032c02.2 1]
2	835013M91	1	Connector 7/8 Jic	Raccord	Schraubanschluss	Conexión, Conj.	
3	#UNION	1	Union	Union	Union	Union	Ref. 2
4	835024M1	1	Ring O - Boa	Joint Torique	O Ring	Junta De Tipo O	
5	6111161M91	1	Tube Assembly - Digger Bucket Cylinder	Tuyauterie	Rohrleitung Kplt	Conjunto De Tubería	Tba Wipro
5	6101540M91	1	Tube Assy Bucket	Tuyauterie	Rohrleitung Kplt	Conjunto De Tubería	Tba Pacoma
6	339123X1	1	Bolt M8-20 Z5f	Boulon M8 X 20	Maschschraube M8	Perno	
7	385361X1	1	Washer M8 Hardened	Rondelle M8	Scheibe M8	Arandela	
8	835013M91	1	Connector 7/8 Jic	Raccord	Schraubanschluss	Conexión, Conj.	
9	#UNION	1	Union	Union	Union	Union	Ref. 8
10	835024M1	1	Ring O - Boa	Joint Torique	O Ring	Junta De Tipo O	
11	6102309M91	1	Hose-Bucket Rod-Std	Flexible Ass.	Schlauch Kplt	Flexible, Conj.	Brown
12	6107024M91	1	Hose-Bucket HD Std	Flexible Ass.	Schlauch Kplt	Flexible, Conj.	White
13	6111137M91	2	Tube Assy - Bkt 4.5m Boom	Ensemble Tube	Rohr Kpl	Conjunto De Tubería	Ec05/328
13	6101771M91	2	Tube-Bucket-4.5m Boom	Tuyauterie	Rohrleitung Kplt	Conjunto De Tubería	Ec05/328
14	6108762M91	1	Hose-Ss Bucket Rod	Flexible Ass.	Schlauch Kplt	Flexible, Conj.	Brown Ec05/328
14	6111141M91	1	Hose Assy - Bucket Rod (Brown S/Shift)	Ensemble Durit	Schlauch Kpl	Flexible, Conj.	Brown Ec05/328
15	6108763M91	1	Hose-Ss Bucket HD	Flexible Ass.	Schlauch Kplt	Flexible, Conj.	White Ec05/328
15	6111142M91	1	Hose Assy - Bucket HD (White S/Shift)	Ensemble Durit	Schlauch Kpl	Flexible, Conj.	White Ec05/328
16	6102128M1	1	Pad-Neoprene	Plaque Antidérapante	Zwischenlage	Cinta Antideslizante	
17	6102122M1	1	Clamp	Collier De Serrage	Klemme	Brida De Fijación	
18	6102130M1	1	Plate-Clamp	Plaque	Platte	Placa	
19	390972X1	2	Washer M8-17-1 Zwl	Rondelle M8	Scheibe - M8	Arandela	
20	3516075M1	2	Stud M8-65 Z5	Goujon	Stehbolzen	Espárrago	
21	394367X1	2	Nut, Hex. - Nyloc, M8	Ecrou Blocage M8	Flachmutter - M8	Tuerca De Retención	
22	6102126M1	2	Clamp	Collier De Serrage	Klemme	Brida De Fijación	
23	6102145M1	2	Pad-Neoprene	Plaque Antidérapante	Zwischenlage	Cinta Antideslizante	
24	6102124M1	2	Plate-Top	Plaque	Platte	Placa	
25	390972X1	4	Washer M8-17-1 Zwl	Rondelle M8	Scheibe - M8	Arandela	
26	6108049M1	4	Stud M8	Goujon	Stehbolzen	Espárrago	

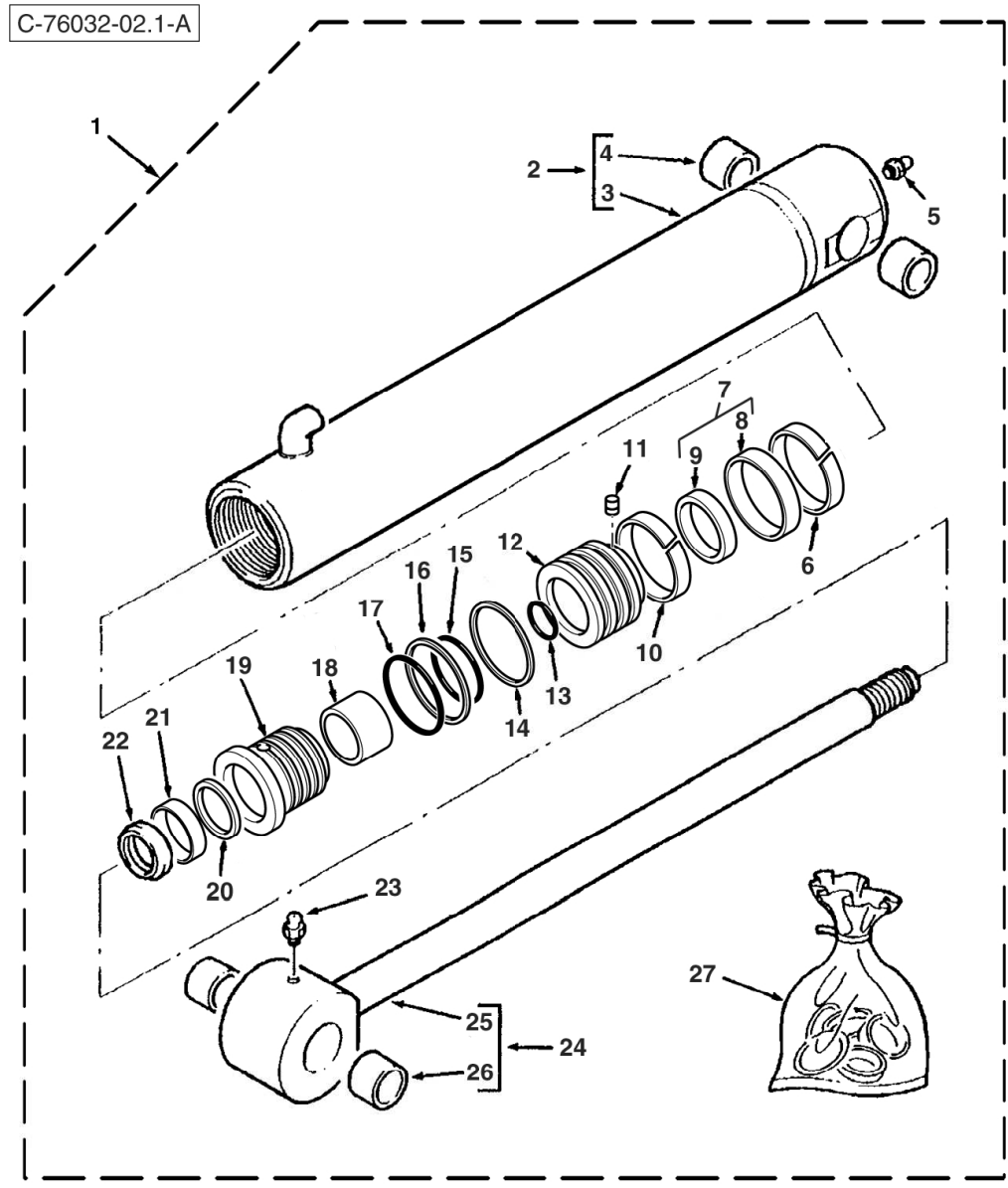


C-76032-01.1-B



Item	Part No.	Qty.	English	French	German	Spanish	Remarks
27	394367X1	4	Nut, Hex. - Nyloc, M8	Ecrou Blocage M8	Flachmutter - M8	Tuerca De Retención	
28	8000-1379	4	Tie Wrap ( 530 X 13mm )	Bride	Buegel	Banda	

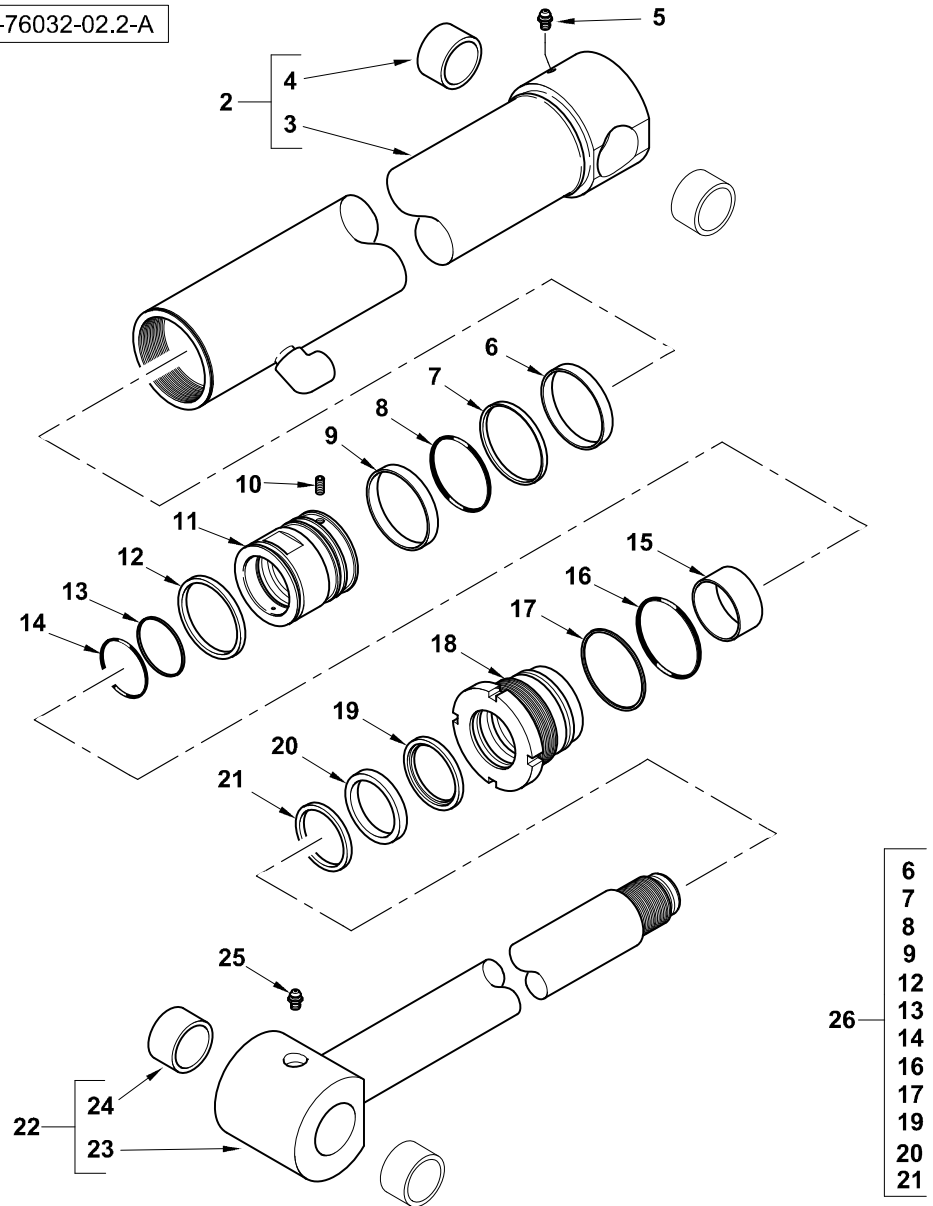




Item	Part No.	Qty.	English	French	German	Spanish	Remarks
1	5000126M91GY02	1	Cylinder Digger Bucket (Benford Grey)	L'Hie Hydraulique	Zylinder Hydr.	Gato, Conj.	Tba [76032c01.1 1]
2	5004008M91	1	Barrel Assy	Cylindre	Zylinder	Cilindro	
3	#TUBE, CYLINDER	1	Tube, Cylinder	Tube, Cylinder	Tube, Cylinder	Tube, Cylinder	Ref. 2
4	#BUSHING	1	Bushing	Douille	Busche	Boccola	
5	339608X1	1	Grease Nipple - M10 X 1 (Zinc)	Nipple De Graissage	Schmiernippel	Engrasador	
6	3485892M1	1	Guide Ring Piston	Bague D'Étanchéité	Dichtungsring	Anillo, Estanqueidad	
7	3485245M91	1	Seal Assy Piston	Joint Ass.	Dichtung Kplt	Junta, Conj.	
8	#SEAL	1	Seal	Joint Étanchéité	Dichtring	Retén	Ref. 7
9	#RING	1	Ring	Anneau	Ring	Aro	Ref. 7
10	3485892M1	1	Guide Ring Piston	Bague D'Étanchéité	Dichtungsring	Anillo, Estanqueidad	
11	3402928M1	1	Screw, Socket Head - Piston Locating	Vis Tête Hex	Zylinderschraube	Tornillo	
12	3623372M1	1	Piston	Piston	Kolben	Pistón	
13	359186X1	1	O-Ring	Joint Torique	O-Ring	Junta De Tipo O	
14	3623061M1	1	Ring Piston	Segment De Piston	Kolbenring	Segmento De Pistón	
15	359193X1	1	O-Ring	Joint Torique	O-Ring	Junta De Tipo O	
16	1606735M1	1	Ring Back-Up	Contre Bague	Stützring	ContraJunta	
17	3487207M1	1	O-Ring	Joint Torique	O-Ring	Junta De Tipo O	
18	3484615M1	1	Guide Ring	Anneau	Ring	Aro	
19	3623371M1	1	Gland - Bucket Cylinder	Presse Étoupe	Stopfbuchse	Cojinete	
20	3484055M1	1	Ring Buffer	Anneau	Ring	Aro	
21	3485185M1	1	Seal	Joint D'Arbre	Wellendichtring	Junta	
22	3487015M1	1	Wiper Ring	Anneau	Ring	Aro	
23	339608X1	1	Grease Nipple - M10 X 1 (Zinc)	Nipple De Graissage	Schmiernippel	Engrasador	
24	5004012M91	1	Piston Rod Assy - Nla	Tige De Vérin	Kolbenstange	Vástago Cilindro	
25	#ROD, PISTON	1	Rod, Piston	Rod, Piston	Rod, Piston	Rod, Piston	Ref. 24
26	#BUSHING	1	Bushing	Douille	Busche	Boccola	
27	3623373M91	1	Kit Seal	Jeu Etancheite	Dichtringsatz	Juego De Juntas	



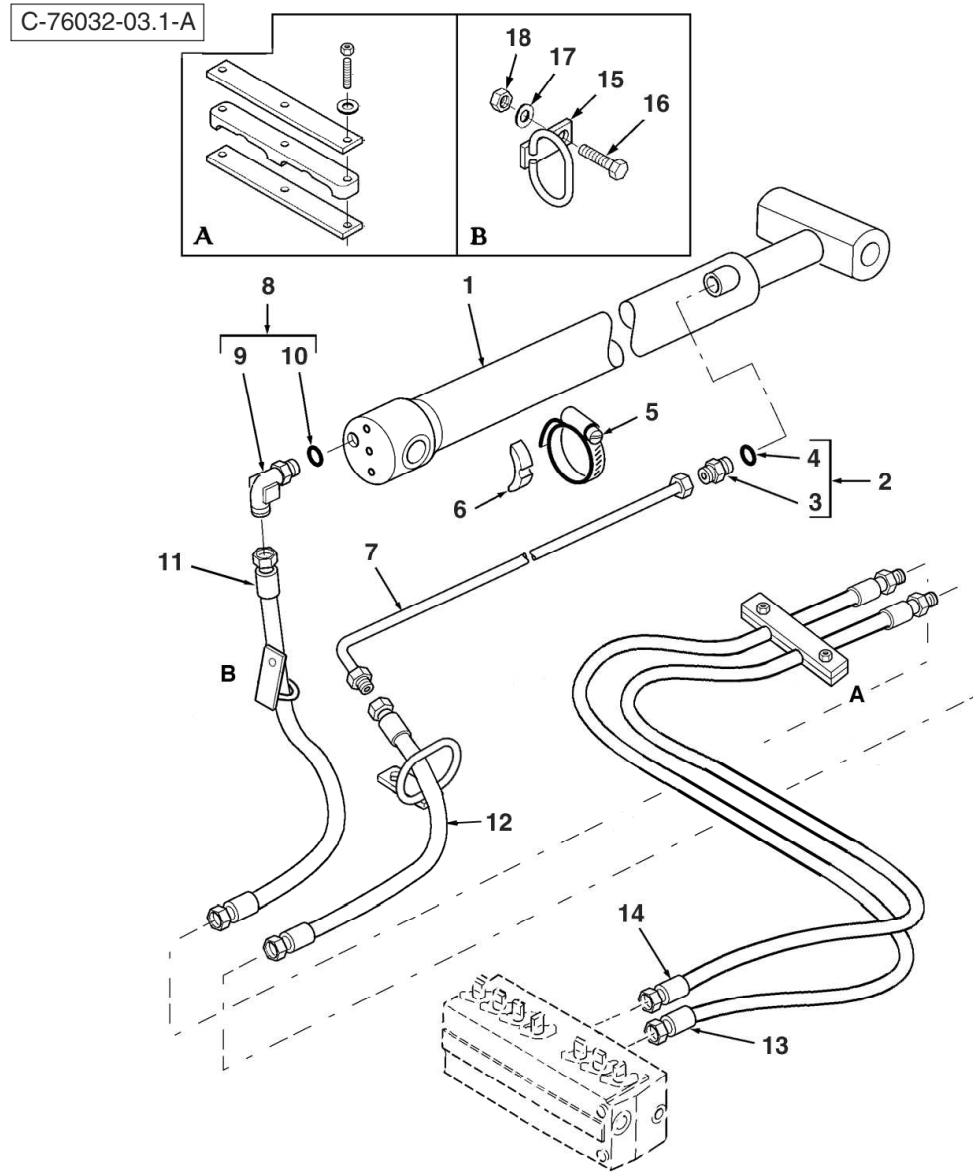
C-76032-02.2-A





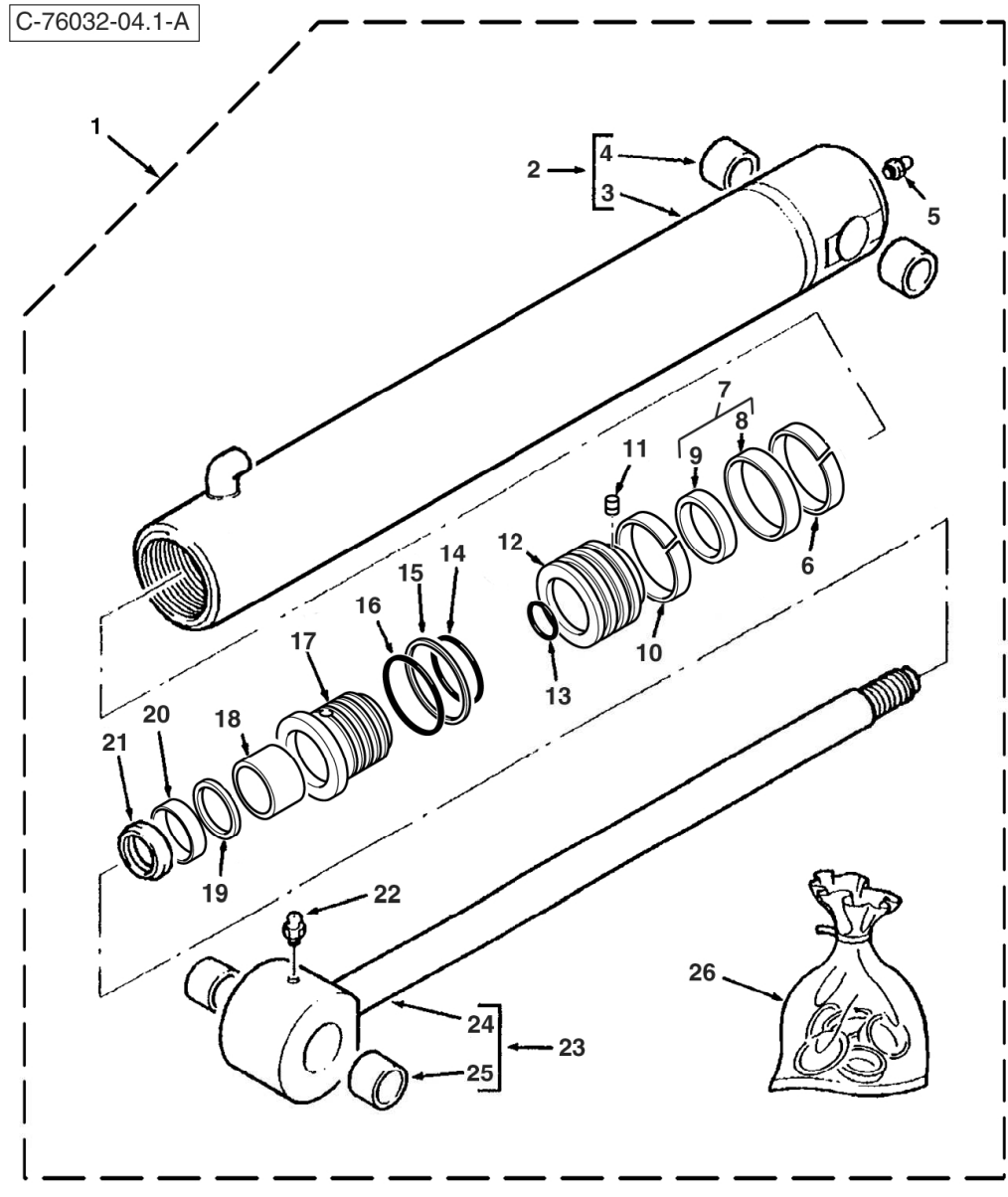
Item	Part No.	Qty.	English	French	German	Spanish	Remarks
1	6111070M91GY03	1	Cylinder- Digger Bucket	Cylindre	Zylinder	Gato, Conj.	Tba [76032c01.1 1]
2	6194629M91	1	Barrel - Cylinder	Corps Cylindre	Zylindergehäuse	Tubo	
3	#TUBE	1	Tube	Tube	Tube	Tube	Ref. 2
4	6194562M1	2	Bush	Douille	Büchse	Casquillo	
5	6194542M1	1	Nipple - Grease	Graisseur Coude	Nippel	Manguito, Engrasador	
6	6194634M1	1	Bearing - Piston	Coussinet	Lager	Teniendo - Pistón	
7	6194635M1	1	Seal - Piston	Joint Étanchéité	Dichtring	Junta	
8	6194636M1	1	O Ring (Std)	Joint Torique	O Ring	Junta De Tipo O	
9	6194634M1	1	Bearing - Piston	Coussinet	Lager	Teniendo - Pistón	
10	6194633M1	1	Set Screw - Hex Socket	Vis Tete Hex	Zylinderschraube	Tornillo De Ajuste	
11	6194631M1	1	Piston	Piston	Kolben	Pistón	
12	6194637M1	1	Ring - Piston	Segment Piston	Kolbenring	Segmento De Pistón	
13	6194625M1	1	Ring - Back Up	Contre Bague	Stutzring	ContraJunta	
14	6194624M1	1	O Ring (Std)	Joint Torique	O Ring	Junta De Tipo O	
15	6194541M1	1	Bush - Bimetal	Douille	Büchse	Juego De Anillos	
16	6194640M1	1	O Ring (Std)	Joint Torique	O Ring	Junta De Tipo O	
17	6194641M1	1	Ring - Back Up	Contre Bague	Stutzring	ContraJunta	
18	6194632M1	1	End Cover - Head	Couvercle	Deckel	Tapa	
19	6194638M1	1	Seal - Rod (Primary)	Joint Étanchéité	Dichtring	Junta	
20	6194639M1	1	Seal- Rod (Secondary)	Joint Étanchéité	Dichtring	Junta	
21	6194554M1	1	Wiper	Essuyeur	Wischer	Raspador, Escobilla	
22	6194630M91	1	Rod - Piston	Bielle De Piston	Pleuelstange	Rod - Pistón	
23	#ROD	1	Rod	Rod	Rod	Rod	Ref. 22
24	6194562M1	2	Bush	Douille	Büchse	Casquillo	
25	6194542M1	1	Nipple - Grease	Graisseur Coude	Nippel	Manguito, Engrasador	
26	6194642M91	0	Seal Kit	Jeu Etancheite	Dichtringsatz	Juego De Juntas	





Item	Part No.	Qty.	English	French	German	Spanish	Remarks
1	#CYLINDER ASSY	1	Cylinder Assy	Cylinder Assy	Cylinder Assy	Cylinder Assy	76032c04.1 1 76032c04.2 1
2	835013M91	1	Connector 7/8 Jic	Raccord	Schraubanschluss	Conexión, Conj.	
3	#UNION	1	Union	Union	Union	Union	Ref. 2
4	835024M1	1	Ring O - Boa	Joint Torique	O Ring	Junta De Tipo O	
5	3517733M1	1	Clamp Hose 130-150	Collier De Serrage	Schlauchbinder	Argolla De Cierre	
6	D142787	1	Saddle (See 142787d)	Selle	Sattel	Bloque De Caucho	
7	6111162M91	1	Tube Assembly - Dipper Cylinder	Tuyauterie	Rohrleitung Kplt	Conjunto De Tubería	Tba Wipro
7	6100976M92	1	Tube Assy. - Dipperstick Cylinder	Tuyauterie	Rohrleitung Kplt	Conjunto De Tubería	Tba Pacoma
8	6101624M91	1	Elbow 90deg-Long	Coude À 90°	Winkelstück	Codo, 90°	
9	#ELBOW	1	Elbow	Elbow	Elbow	Elbow	Ref. 8
10	835024M1	1	Ring O - Boa	Joint Torique	O Ring	Junta De Tipo O	
11	6101738M91	1	Hose-Dipper Head	Flexible Ass.	Schlauch Kplt	Flexible, Conj.	Yellow
12	6101737M91	1	Hose-Dipper Rod	Flexible Ass.	Schlauch Kplt	Flexible, Conj.	Red
13	6108767M91	1	Hose-Ss Dipper HD	Flexible Ass.	Schlauch Kplt	Flexible, Conj.	Yellow
14	6108766M91	1	Hose-Ss Dipper Rod	Flexible Ass.	Schlauch Kplt	Flexible, Conj.	Red
15	6101491M92	2	Hose Hoop Assy	Ensemble De Support	Haltevorrichtung Kpl.	Apoyadero, Conj.	
16	339761X1	2	Bolt M8-25 Z5f	Goupille	Bolzen M8 X 25	Tornillo	
17	390972X1	2	Washer M8-17-1 Zwel	Rondelle M8	Scheibe - M8	Arandela	
18	394367X1	2	Nut, Hex. - Nyloc, M8	Ecrou Blocage M8	Flachmutter - M8	Tuerca De Retención	

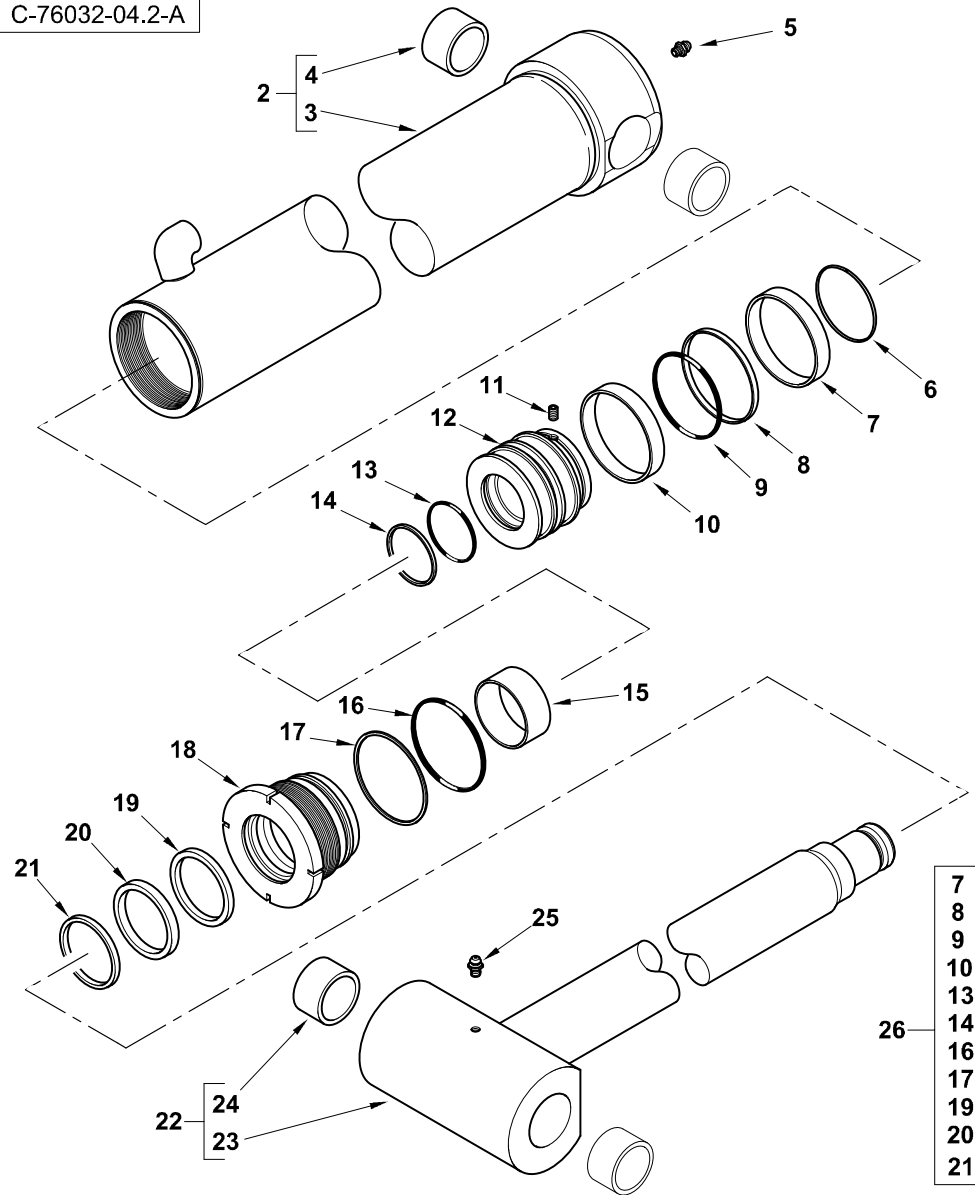




Item	Part No.	Qty.	English	French	German	Spanish	Remarks
1	5000124M91GY02	1	Cylinder Dipperstick (Benford Grey)	L' Hie Hydraulique	Zylinder Hydr.	Gato, Conj.	Tba [76032c03.1 1]
2	5003982M91	1	Barrel Assy. - Dipper Cylinder	Corps Cylindre	Zylindergehäuse	Cilindro	
3	#TUBE, CYLINDER	1	Tube, Cylinder	Tube, Cylindre	Tube, Cylinder	Tube, Cylinder	Ref. 2
4	3484843M1	1	Bush, Hydr. Cylinders	Douille	Buechse	Casquillo	
5	339608X1	1	Grease Nipple - M10 X 1 (Zinc)	Nipple De Graissage	Schmiernippel	Engrasador	
6	3485891M1	1	Guide Ring Piston	Anneau	Ring	Aro	
7	3485247M91	1	Seal Piston	Joint	Dichtung	Junta, Conj.	
8	#SEAL	1	Seal	Joint Étanchéité	Dichtring	Retén	Ref. 7
9	#RING	1	Ring	Anneau	Ring	Aro	Ref. 7
10	3485891M1	1	Guide Ring Piston	Anneau	Ring	Aro	
11	3402928M1	1	Screw, Socket Head - Piston Locating	Vis Tête Hex	Zylinderschraube	Tornillo	
12	5003989M1	1	Piston	Piston	Kolben	Pistón	
13	3007182X1	1	O-Ring	Joint Torique	O-Ring	Junta De Tipo O	
14	359196X1	1	O Ring	Joint Torique	O Ring	Junta De Tipo O	
15	378545X1	1	Ring - Backup	Contre Bague	Stutzring	Aro	
16	3487908M1	1	O Ring, Hydr. Cylinder	Joint Torique	O Ring	Junta De Tipo O	
17	5003988M1	1	Bearing Cylinder	Roulement	Lager	Cojinete	
18	3623193M1	1	Guide Ring	Anneau	Ring	Aro	
19	3443388M1	1	Ring - Back Up	Anneau	Ring	Aro	
20	3443472M1	1	Seal	Joint D' Arbre	Wellendichtring	Junta	
21	3403385M1	1	Wiper Ring	Joint De Racleur	Abstreifdichtung	Junta Raspador	
22	339608X1	1	Grease Nipple - M10 X 1 (Zinc)	Nipple De Graissage	Schmiernippel	Engrasador	
23	5003985M91	1	Piston Rod Assy	Tige De Vérin	Kolbenstange	Vástago Cilindro	
24	#ROD, PISTON	1	Rod, Piston	Rod, Piston	Rod, Piston	Rod, Piston	Ref. 23
25	3484843M1	1	Bush, Hydr. Cylinders	Douille	Buechse	Casquillo	
26	5004401M91	1	Kit Seal	Jeu Étanchéité	Dichtringsatz	Juego De Juntas	



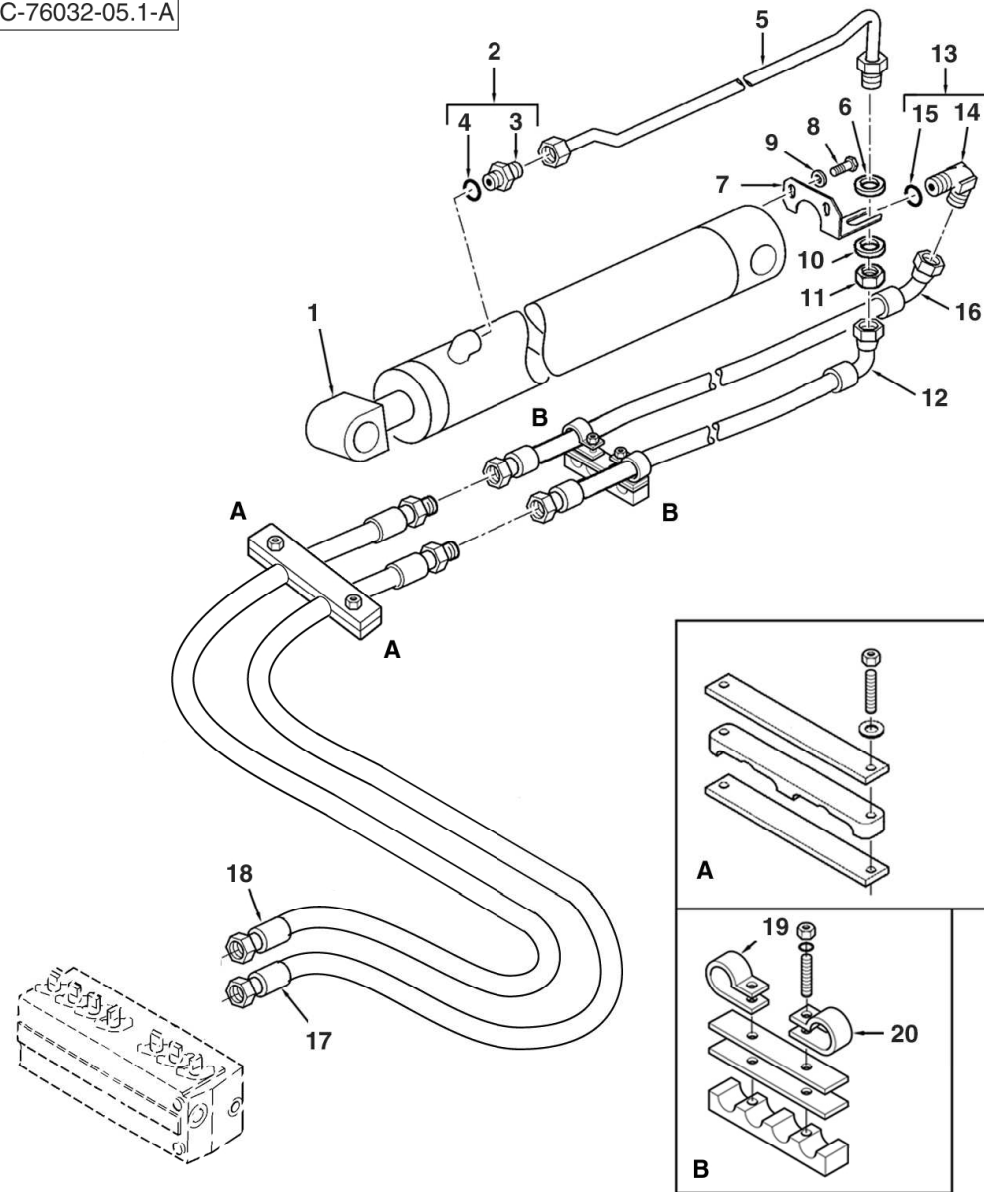
C-76032-04.2-A



Item	Part No.	Qty.	English	French	German	Spanish	Remarks
1	6111069M91GY03	1	Cylinder - Dipperstick	Cylindre	Zylinder	Gato, Conj.	Tba [76032c03.1 1]
2	6194615M91	1	Barrel - Cylinder	Corps Cylindre	Zylindergehäuse	Conjunto De Tubería	
3	#TUBE	1	Tube	Tube	Tube	Tube	Ref. 2
4	6194562M1	2	Bush	Douille	Büchse	Casquillo	
5	6194542M1	1	Nipple - Grease	Graisseur Coude	Nippel	Manguito, Engrasador	
6	6194620M1	1	Ring - Snap	Fermeoir	Sprengring	Anillo De Resorte	
7	6194621M1	1	Bearing - Piston	Coussinet	Lager	Teniendo - Pistón	
8	6194622M1	1	Seal - Piston	Joint Étanchéité	Dichtring	Junta	
9	6194623M1	1	O Ring (Std)	Joint Torique	O Ring	Junta De Tipo O	
10	6194621M1	1	Bearing - Piston	Coussinet	Lager	Teniendo - Pistón	
11	6194619M1	1	Set Screw	Vis	Schraube	Tornillo De Ajuste	
12	6194617M1	1	Piston	Piston	Kolben	Pistón	
13	6194624M1	1	O Ring (Std)	Joint Torique	O Ring	Junta De Tipo O	
14	6194625M1	1	Ring - Back Up	Contre Bague	Stutzring	ContraJunta	
15	6194565M1	1	Bush - Bimetal	Douille	Büchse	Juego De Anillos	
16	6194626M1	1	O Ring (Std)	Joint Torique	O Ring	Junta De Tipo O	
17	6194627M1	1	Ring - Back Up	Contre Bague	Stutzring	ContraJunta	
18	6194618M1	1	End Cover - Head	Couvercle	Deckel	Tapa	
19	6194575M1	1	Seal - Rod (Primary)	Joint Étanchéité	Dichtring	Junta	
20	6194576M1	1	Seal- Rod (Secondary)	Joint Étanchéité	Dichtring	Junta	
21	6194573M1	1	Wiper	Essuyeur	Wischer	Raspador, Escobilla	
22	6194616M91	1	Rod - Piston	Bielle De Piston	Pleuelstange	Rod - Pistón	
23	#ROD	1	Rod	Rod	Rod	Rod	Ref. 22
24	6194562M1	2	Bush	Douille	Büchse	Casquillo	
25	6194542M1	1	Nipple - Grease	Graisseur Coude	Nippel	Manguito, Engrasador	
26	6194628M91	0	Seal Kit	Jeu Etancheite	Dichtringsatz	Juego De Juntas	



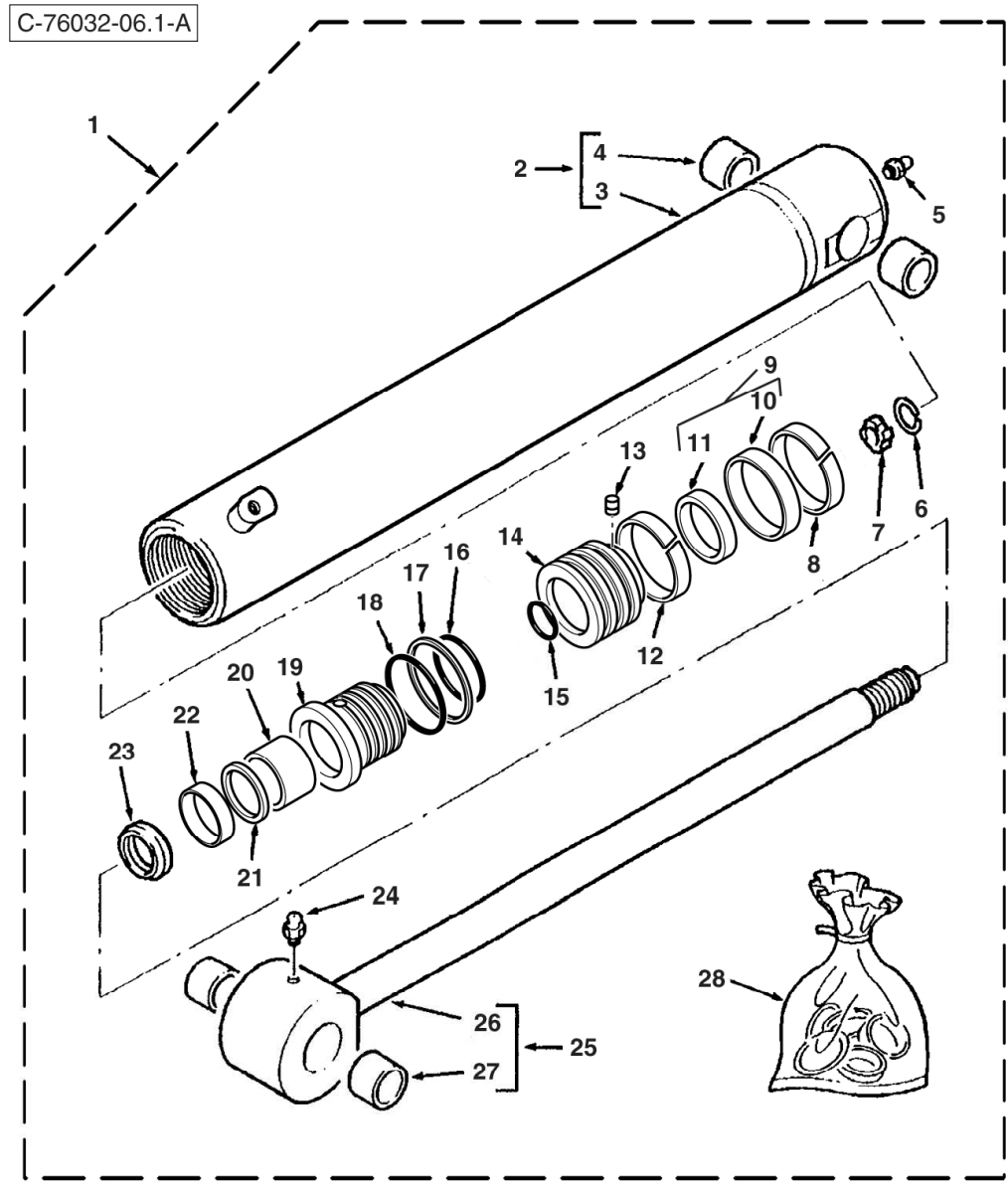
C-76032-05.1-A





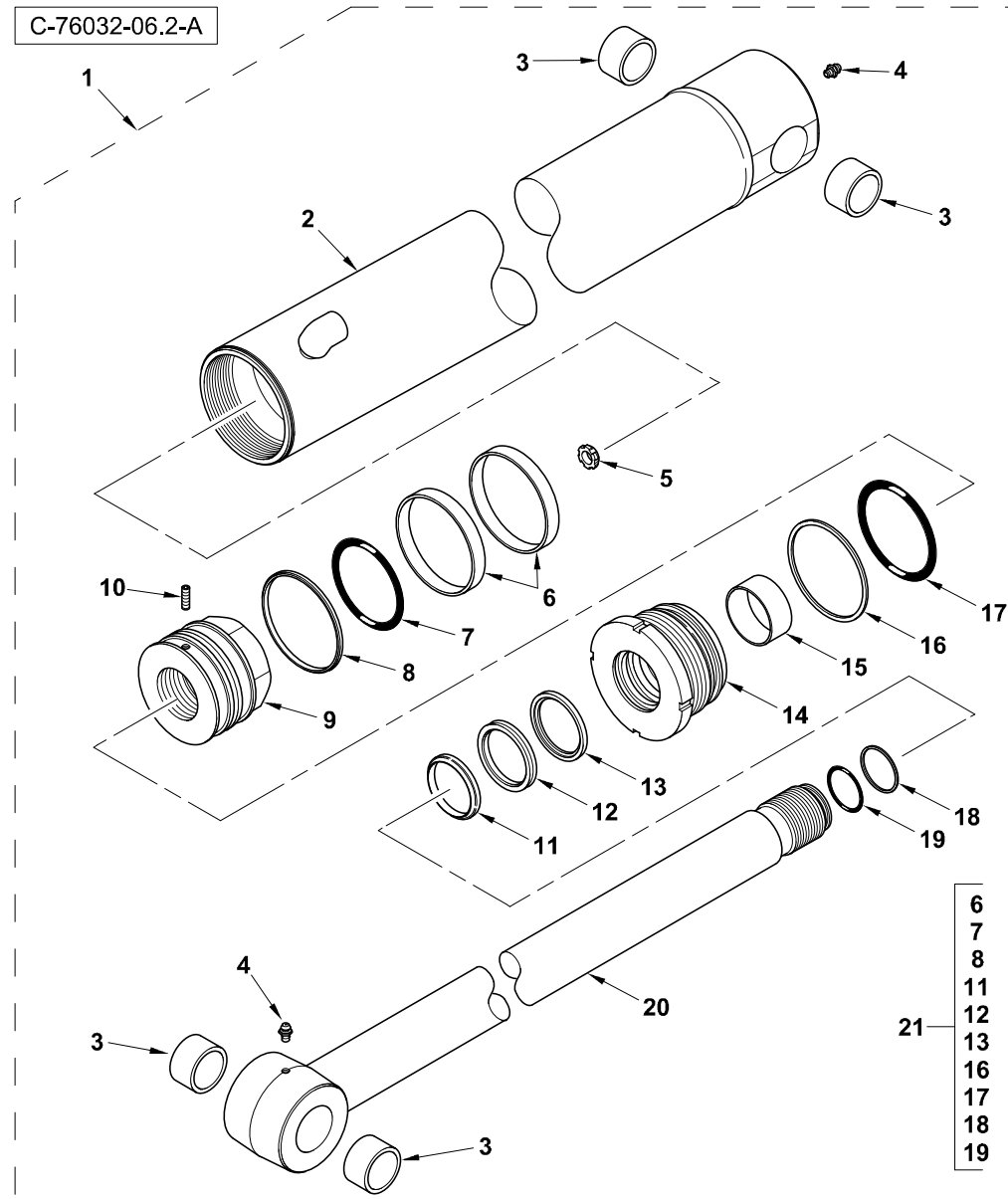
Item	Part No.	Qty.	English	French	German	Spanish	Remarks
1	6111078M91GY03	1	Cylinder Boom 4.5	Cylindre 4.5m	Zylinder 4.5m	Cilindro 4.5m	Wipro
1	5000122M91	1	Cylinder 4.5m B00m - Hi Spec	L' Hie Hydraulique	Zylinder Hydr.	Gato, Conj.	Pacoma
2	835013M91	1	Connector 7/8 Jic	Raccord	Schraubanschluss	Conexión, Conj.	
3	#UNION	1	Union	Union	Union	Union	Ref. 2
4	835024M1	1	Ring O - Boa	Joint Torique	O Ring	Junta De Tipo O	
5	6111166M91	1	Tube Assembly - Boom Cylinder 4.5m	Tuyauterie	Rohrleitung Kplt	Conjunto De Tubería	Wipro
5	6100855M91	1	Tube-Cylinder-4.5 Boom	Tuyauterie	Rohrleitung Kplt	Conjunto De Tubería	Pacoma
6	353763X1	1	Washer	Rondelle	Scheibe	Arandela	
7	6100883M1	1	Bracket-Cylinder-Boom	Patte Fixation	Halter	Pata De Fijación	
8	339228X1	2	Bolt, Hex. - M8 X 12 (Coarse)	Boulon M8 X 12	Maschschraube M8	Tornillo	
9	339374X1	2	Washer M8 -21-2 Z	Rondelle Frein - M8	Federring - M8	Arandela De Freno	
10	353763X1	1	Washer	Rondelle	Scheibe	Arandela	
11	355574X1	1	Nut, Hex. - 7/8" Unf, Lock	Ecrou 7/8" Unf	Mutter 7/8" Unf	Tuerca	
12	6101735M92	1	Hose-Boom Cyl Rod	Flexible Ass.	Schlauch Kplt	Flexible, Conj.	Orange
13	835007M91	1	Elbow 90 Degree Adjust	Coude 90°	Kniestück 90°	Codo, 90°	
14	#ELBOW	1	Elbow	Elbow	Elbow	Elbow	Ref. 13
15	835024M1	1	Ring O - Boa	Joint Torique	O Ring	Junta De Tipo O	
16	6101736M92	1	Hose, "Blue" - Boom Cylinder Feed	Flexible	Schlauch	Flexible, Conj.	Blue
17	6108761M91	1	Hose-Ss Boom Rod	Flexible Ass.	Schlauch Kplt	Flexible, Conj.	Orange
18	6108760M91	1	Hose-Ss Boom HD	Flexible Ass.	Schlauch Kplt	Flexible, Conj.	Blue
19	515-23270	1	Clip-Coated P	Clip	Klips	Clip	
20	515-23206	1	P Clip Bsr081hs	Bride Pour Tutaux	Schlauchschelle	Abrazadera De Manguera	





Item	Part No.	Qty.	English	French	German	Spanish	Remarks
1	5000122M91	1	Cylinder 4.5m B00m - Hi Spec	L´Hie Hydraulique	Zylinder Hydr.	Gato, Conj.	76032c05.1 1
2	5003912M91	1	Barrel Assy	Cylindre	Zylinder	Cilindro	
3	#TUBE, CYLINDER	1	Tube, Cylinder	Tube, Cylinder	Tube, Cylinder	Tube, Cylinder	Ref. 2
4	#BUSHING	2	Bushing	Douille	Busche	Boccola	
5	339608X1	1	Grease Nipple - M10 X 1 (Zinc)	Nipple De Graissage	Schmiernippel	Engrasador	
6	1609899M1	1	Snap Ring	Anneau D´Arrêt	Sprengring	Anillo De Resorte	
7	1609328M1	1	Ring Cushioning	Anneau	Ring	Aro	
8	3403852M1	2	Ring, Guide - Piston	Anneau	Ring	Aro	
9	3485213M91	1	Seal Piston	Joint	Dichtung	Junta, Conj.	
10	#SEAL	1	Seal	Joint Étanchéité	Dichtring	Retén	Ref. 9
11	#SEAL	1	Seal	Joint Étanchéité	Dichtring	Retén	Ref. 9
13	3402928M1	1	Screw, Socket Head - Piston Locating	Vis Tête Hex	Zylinderschraube	Tornillo	
14	3484189M1	1	Piston	Piston	Kolben	Pistón	
15	3007182X1	1	O-Ring	Joint Torique	O-Ring	Junta De Tipo O	
16	359203X1	1	O-Ring	Joint Torique	O-Ring	Junta De Tipo O	
17	367120X1	1	Back-Up Ring	Contre Bague	Stützring	Aro	
18	3487909M1	1	O-Ring	Joint Torique	O-Ring	Junta De Tipo O	
19	3623202M1	1	Bearing	Roulement	Lager	Cojinete	
20	3623193M1	1	Guide Ring	Anneau	Ring	Aro	
21	3443388M1	1	Ring - Back Up	Anneau	Ring	Aro	
22	3443472M1	1	Seal	Joint D´Arbre	Wellendichtring	Junta	
23	3403385M1	1	Wiper Ring	Joint De Racleur	Abstreifdichtung	Junta Raspador	
24	339608X1	1	Grease Nipple - M10 X 1 (Zinc)	Nipple De Graissage	Schmiernippel	Engrasador	
25	3441629M91	1	Piston Rod Assy	Tige De Vérin	Kolbenstange	Vástago Cilindro	
26	#ROD, PISTON	1	Rod, Piston	Rod, Piston	Rod, Piston	Rod, Piston	Ref. 25
27	3484843M1	1	Bush, Hydr. Cylinders	Douille	Buechse	Casquillo	

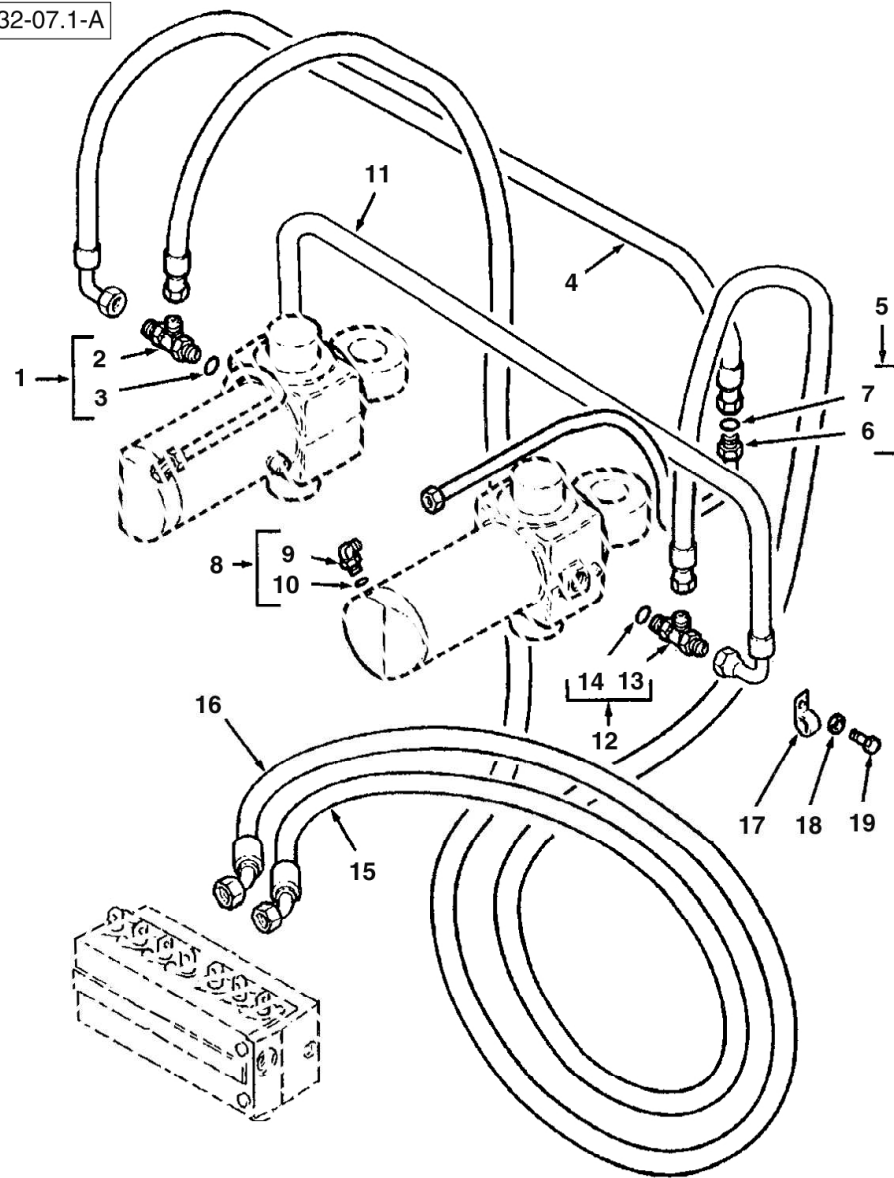




Item	Part No.	Qty.	English	French	German	Spanish	Remarks
1	6111078M91GY03	1	Cylinder Boom 4.5	Cylindre 4.5m	Zylinder 4.5m	Cilindro 4.5m	
2	6195249M91GY03	1	Tube - S/A (Terex Grey)	Tube - S/A (Terex Grey)	Tube - S/A (Terex Grey)	Tube - S/A (Terex Grey)	
3	6195253M1	4	Bush	Douille	Buchse	Casquillo	
4	6195255M1	2	Grease Nipple	Grease Nipple	Grease Nipple	Grease Nipple	
5	6195235M1	1	Ring - Cushion	Ring - Cushion	Ring - Cushion	Ring - Cushion	
6	6195259M1	2	Bearing - Piston	Bearing - Piston	Bearing - Piston	Bearing - Piston	
7	6195258M1	1	O - Ring	O - Ring	O - Ring	O - Ring	
8	6195257M1	1	Seal - Piston	Seal - Piston	Seal - Piston	Seal - Piston	
9	6195251M1	1	Piston	Piston	Piston	Piston	
10	6195254M1	1	Set Screw - Hex. Socket	Set Screw - Hex. Socket	Set Screw - Hex. Socket	Set Screw - Hex. Socket	
11	6194573M1	1	Wiper	Essuyeur	Wischer	Raspador, Escobilla	
12	6195262M1	1	Seal - Rod (Secondary)	Seal - Rod (Secondary)	Seal - Rod (Secondary)	Seal - Rod (Secondary)	
13	6194575M1	1	Seal - Rod (Primary)	Joint Étanchéité	Dichtring	Junta	
14	6195252M1	1	Cover - H.E.	Cover - H.E.	Cover - H.E.	Cover - H.E.	
15	6195256M1	1	Bush - Bimetal	Bush - Bimetal	Bush - Bimetal	Bush - Bimetal	
16	6195261M1	1	Ring - Back Up	Ring - Back Up	Ring - Back Up	Ring - Back Up	
17	6195260M1	1	O - Ring	O - Ring	O - Ring	O - Ring	
18	6194570M1	1	Ring - Back Up	Contre Bague	Stutzring	ContraJunta	
19	6195247M1	1	O - Ring	O - Ring	O - Ring	O - Ring	
20	6195250M91	1	Piston Rod - S/A	Piston Rod - S/A	Piston Rod - S/A	Piston Rod - S/A	
21	6195263M91	1	Seal Kit	Jeu Etancheite	Dichtringsatz	Juego Retenes	



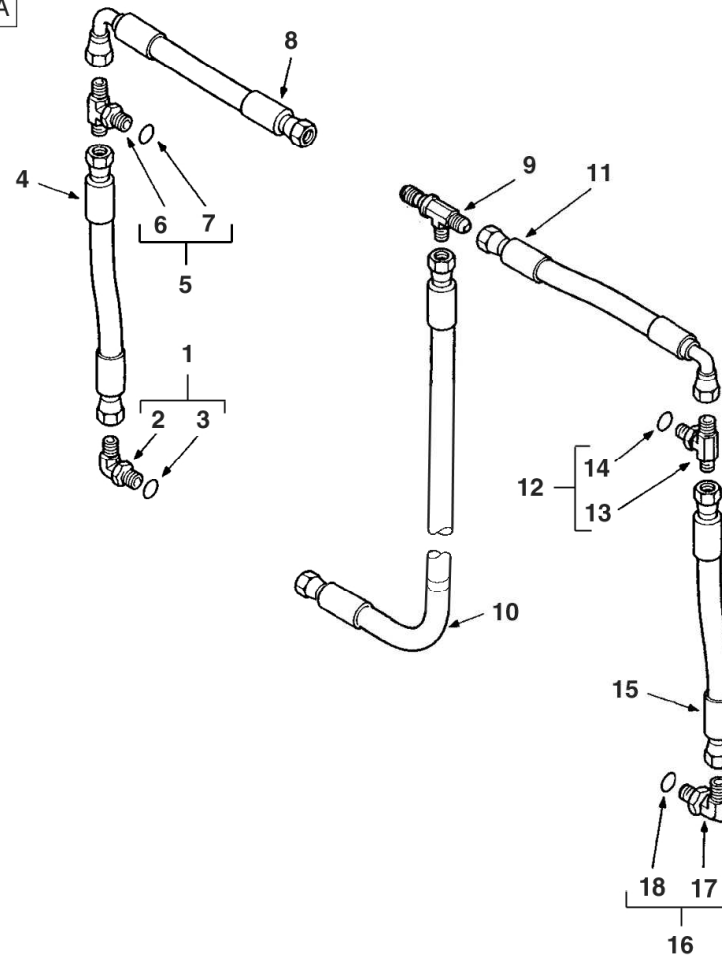
C-76032-07.1-A



Item	Part No.	Qty.	English	French	German	Spanish	Remarks
1	358728X91	1	Tee	Te	T-Stück	Te	
2	#TEE	1	Tee	Tee	Tee	Tee	Ref. 1
3	831497M1	1	O-Ring	Joint Torique	O-Ring	Junta De Tipo O	
4	6100716M91	1	Hose Slew Trsfr	Flexible Ass.	Schlauch Kplt	Flexible, Conj.	
5	6111175M92	1	Tube Assy Slew	Ensemble Tube	Rohr Kpl	Conj.De Tubo	RH Wipro
5	6111174M92	1	Tube Assy Slew	Ensemble Tube	Rohr Kpl	Conj. De Tubo	LH Wipro
5	6100587M91	1	Tube Slew Trsf LH	Tuyauterie	Rohrleitung Kplt	Conjunto De Tubería	Pacoma
5	6100589M91	1	Tube Slew Trsf RH	Tuyauterie	Rohrleitung Kplt	Conjunto De Tubería	Pacoma
6	#TUBE	1	Tube	Tube	Tube	Tube	Ref. 5
7	394923X1	1	O Ring	Joint Torique	O Ring	Junta De Tipo O	
8	357197X91	2	Elbow & O Ring	Coude	Kniestück, 90°	Codo, 90°	
9	#ELBOW	1	Elbow	Elbow	Elbow	Elbow	Ref. 8
10	831452M1	1	O Ring (Pack Of 10)	Joint Torique	O Ring	Junta De Tipo O	
11	6100716M91	1	Hose Slew Trsfr	Flexible Ass.	Schlauch Kplt	Flexible, Conj.	
12	358728X91	1	Tee	Te	T-Stück	Te	
13	#TEE	1	Tee	Tee	Tee	Tee	Ref. 12
14	831497M1	1	O-Ring	Joint Torique	O-Ring	Junta De Tipo O	
15	6107456M91	1	Hose-Iso Ss LH Swing	Flexible Ass.	Schlauch Kplt	Flexible, Conj.	
16	6107455M91	1	Hose-Iso Ss RH Swing	Flexible Ass.	Schlauch Kplt	Flexible, Conj.	
17	3517114M2	2	P - Clip	Collier De Fixation	Befestigungsschelle	Argolla De Fijación	
18	385361X1	2	Washer M8 Hardened	Rondelle M8	Scheibe M8	Arandela	
19	339228X1	2	Bolt, Hex. - M8 X 12 (Coarse)	Boulon M8 X 12	Maschschraube M8	Tornillo	



C-76032-08.1-A

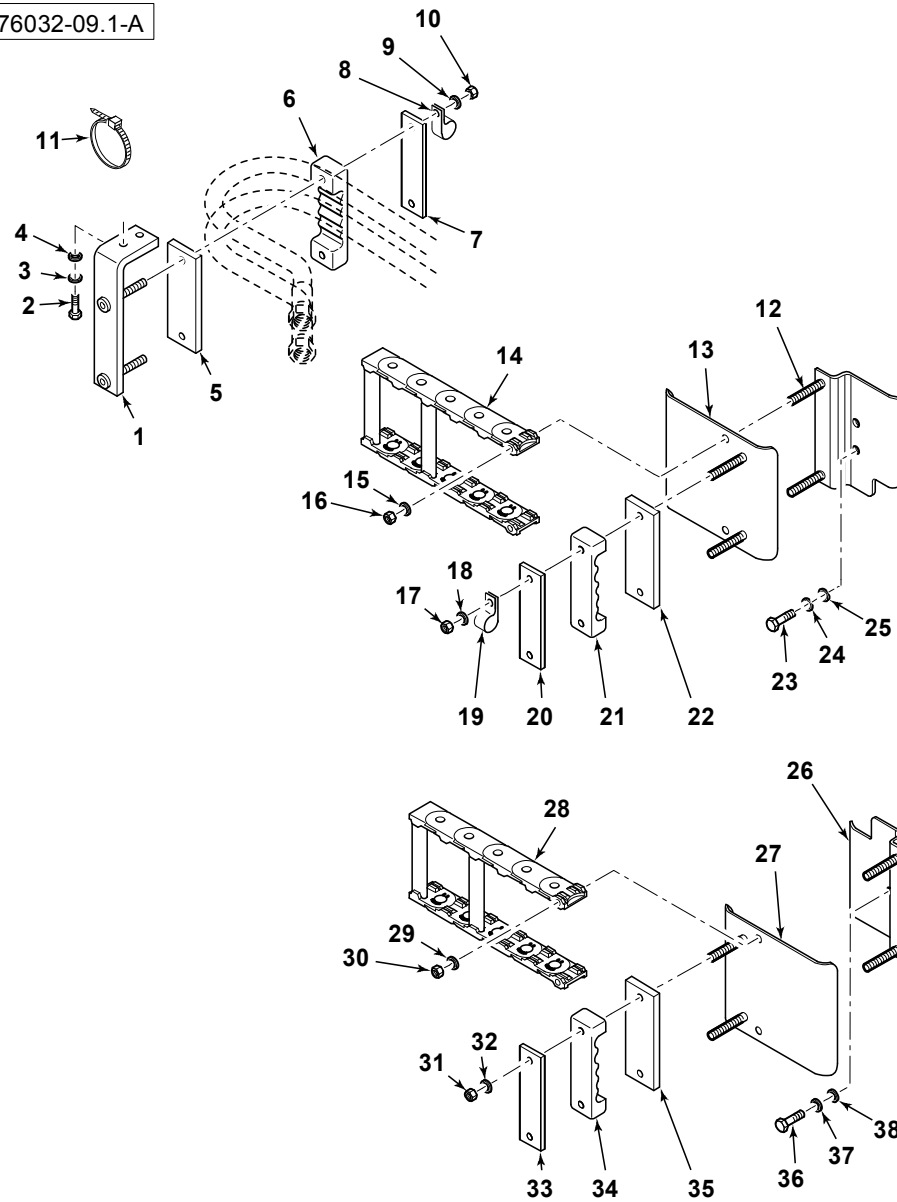




Item	Part No.	Qty.	English	French	German	Spanish	Remarks
1	358761X91	1	Elbow 90 Deg	Coude, 90	Kniestück, 90	Codo, 90°	
2	#ELBOW	1	Elbow	Elbow	Elbow	Elbow	Ref. 1
3	831496M1	1	O-Ring	Joint Torique	O-Ring	Junta De Tipo O	
4	3521882M94	1	Hose-Clamp Elbow/Tee	Flexible Ass.	Schlauch Kplt	Flexible, Conj.	
5	358827X91	1	Tee 1/2 Sae 1/2 Jic	Te	T-Stück	Te	
6	#TEE	1	Tee	Tee	Tee	Tee	Ref. 5
7	831496M1	1	O-Ring	Joint Torique	O-Ring	Junta De Tipo O	
8	3521878M93	1	Hose Sleeved	Flexible Ass.	Schlauch Kplt	Flexible, Conj.	
9	356558X1	1	Tee 7/16 Male	Te	T-Stück	Te	
10	6110207M91	1	Hose Assembly - Clamp	Ensemble De Flexible	Schlauch Kpl.	Flexible, Conj.	
11	3521878M93	1	Hose Sleeved	Flexible Ass.	Schlauch Kplt	Flexible, Conj.	
12	358827X91	1	Tee 1/2 Sae 1/2 Jic	Te	T-Stück	Te	
13	#TEE	1	Tee	Tee	Tee	Tee	Ref. 12
14	831496M1	1	O-Ring	Joint Torique	O-Ring	Junta De Tipo O	
15	3521882M94	1	Hose-Clamp Elbow/Tee	Flexible Ass.	Schlauch Kplt	Flexible, Conj.	
16	358761X91	1	Elbow 90 Deg	Coude, 90	Kniestück, 90	Codo, 90°	
17	#ELBOW	1	Elbow	Elbow	Elbow	Elbow	Ref. 16
18	831496M1	1	O-Ring	Joint Torique	O-Ring	Junta De Tipo O	

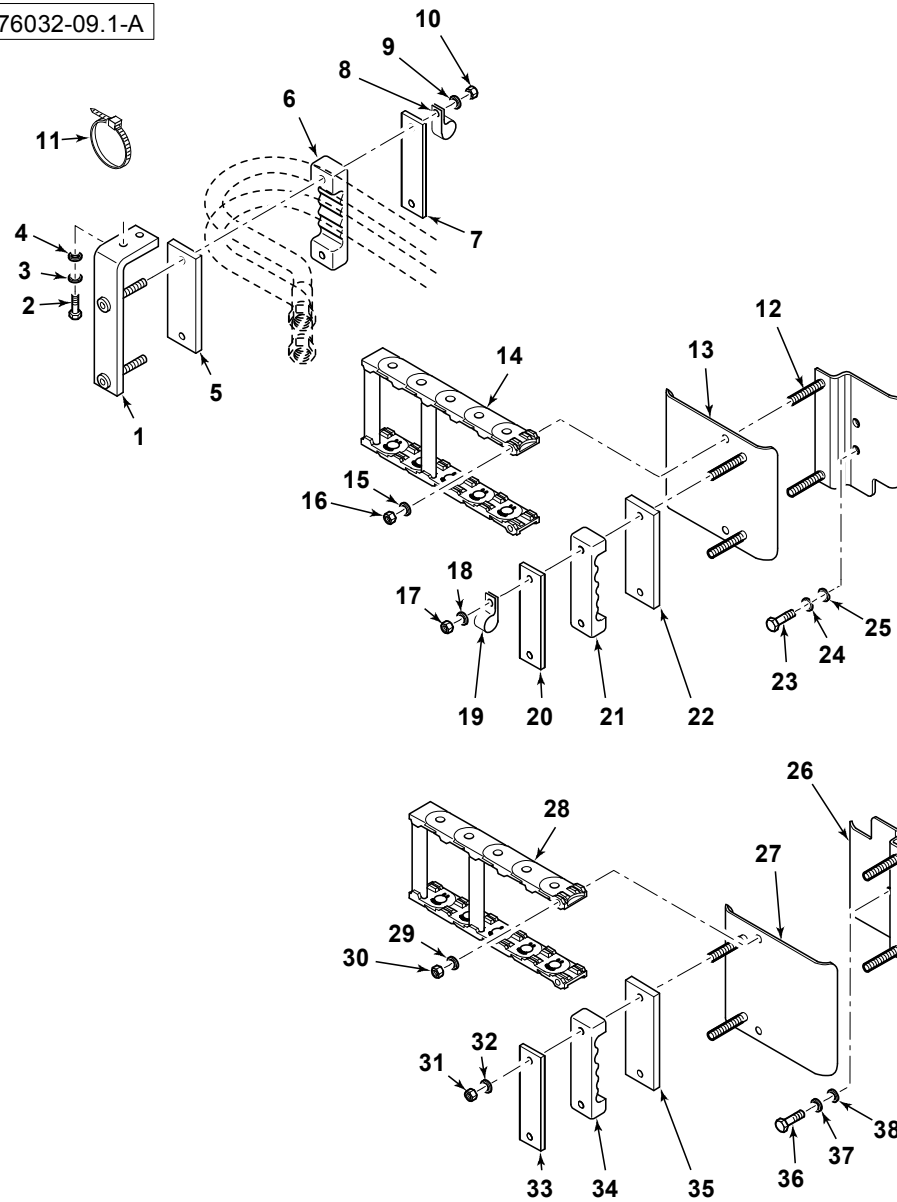


C-76032-09.1-A



Item	Part No.	Qty.	English	French	German	Spanish	Remarks
1	6107934M91	2	Bracket-Clamp	Patte Fixation	Halter	Brida De Fijación	
2	339761X1	4	Bolt M8-25 Z5f	Goupille	Bolzen M8 X 25	Tornillo	
3	390972X1	4	Washer M8-17-1 Zwel	Rondelle M8	Scheibe - M8	Arandela	
4	339374X1	4	Washer M8 -21-2 Z	Rondelle Frein - M8	Federring - M8	Arandela De Freno	
5	6102197M1	2	Pad-Neoprene	Plaque De Caoutchouc	Gummiplatte	Placa, Caucho	
6	6101859M1	1	Clamp-Rh Hose	Collier De Serrage	Schlauchbinder	Argolla De Cierre	
6	6101216M1	1	Clamp-Lh Hose	Collier De Serrage	Schlauchbinder	Argolla De Cierre	
7	6101215M1	2	Plate - Clamp	Plaque	Platte	Placa	
8	515-22159	1	Clip-Coated P	Collier De Serrage	Klemme	Argolla De Fijación	
9	390972X1	4	Washer M8-17-1 Zwel	Rondelle M8	Scheibe - M8	Arandela	
10	394367X1	4	Nut, Hex. - Nyloc, M8	Ecrou Blocage M8	Flachmutter - M8	Tuerca De Retención	
11	1862425M1	1	Tie 385mm T50I	Attache Cable	Kabelbinder	Enlace De Cable	
12	6102307M91	1	Bracket-Rh-W/Assy	Patte Fixation	Halter	Brida De Fijación	
13	6101424M91	1	Plate, Support - Digger Hoses	Ensemble De Plaque	Platte Kpl.	Placa, Conj.	
14	6102199M92	1	Hose Guide - Plastic Chain	Chaîne	Kette	Cadena	
15	390971X1	2	Washer M6-12-1 Zwel	Rondelle - M6	Scheibe - M6	Arandela	
16	1441500X1	2	Nut M6 Z5 Nyloc	Ecrou	Flachmutter M6	Tuerca De Retención	
17	394367X1	2	Nut, Hex. - Nyloc, M8	Ecrou Blocage M8	Flachmutter - M8	Tuerca De Retención	
18	390972X1	2	Washer M8-17-1 Zwel	Rondelle M8	Scheibe - M8	Arandela	
19	515-22159	1	Clip-Coated P	Collier De Serrage	Klemme	Argolla De Fijación	
20	6101215M1	1	Plate - Clamp	Plaque	Platte	Placa	
21	6101859M1	1	Clamp-Rh Hose	Collier De Serrage	Schlauchbinder	Argolla De Cierre	
22	6102197M1	1	Pad-Neoprene	Plaque De Caoutchouc	Gummiplatte	Placa, Caucho	
23	3009492X1	2	Bolt - Hex. M10 X 25	Boulon M10 X 25	Schraube M10 X 25	Tornillo	
24	339376X1	2	Washer M10-18-2 Zsp	Rondelle Frein	Federring	Arandela De Freno	
25	390734X1	2	Washer M10-21-2 Z	Rondelle - M10	Unterlegscheibe	Arandela	
26	6102308M91	1	Bracket-Lh-W/Assy	Patte Fixation	Halter	Brida De Fijación	
27	6101424M91	1	Plate, Support - Digger Hoses	Ensemble De Plaque	Platte Kpl.	Placa, Conj.	
28	6102199M92	1	Hose Guide - Plastic Chain	Chaîne	Kette	Cadena	
29	390971X1	2	Washer M6-12-1 Zwel	Rondelle - M6	Scheibe - M6	Arandela	

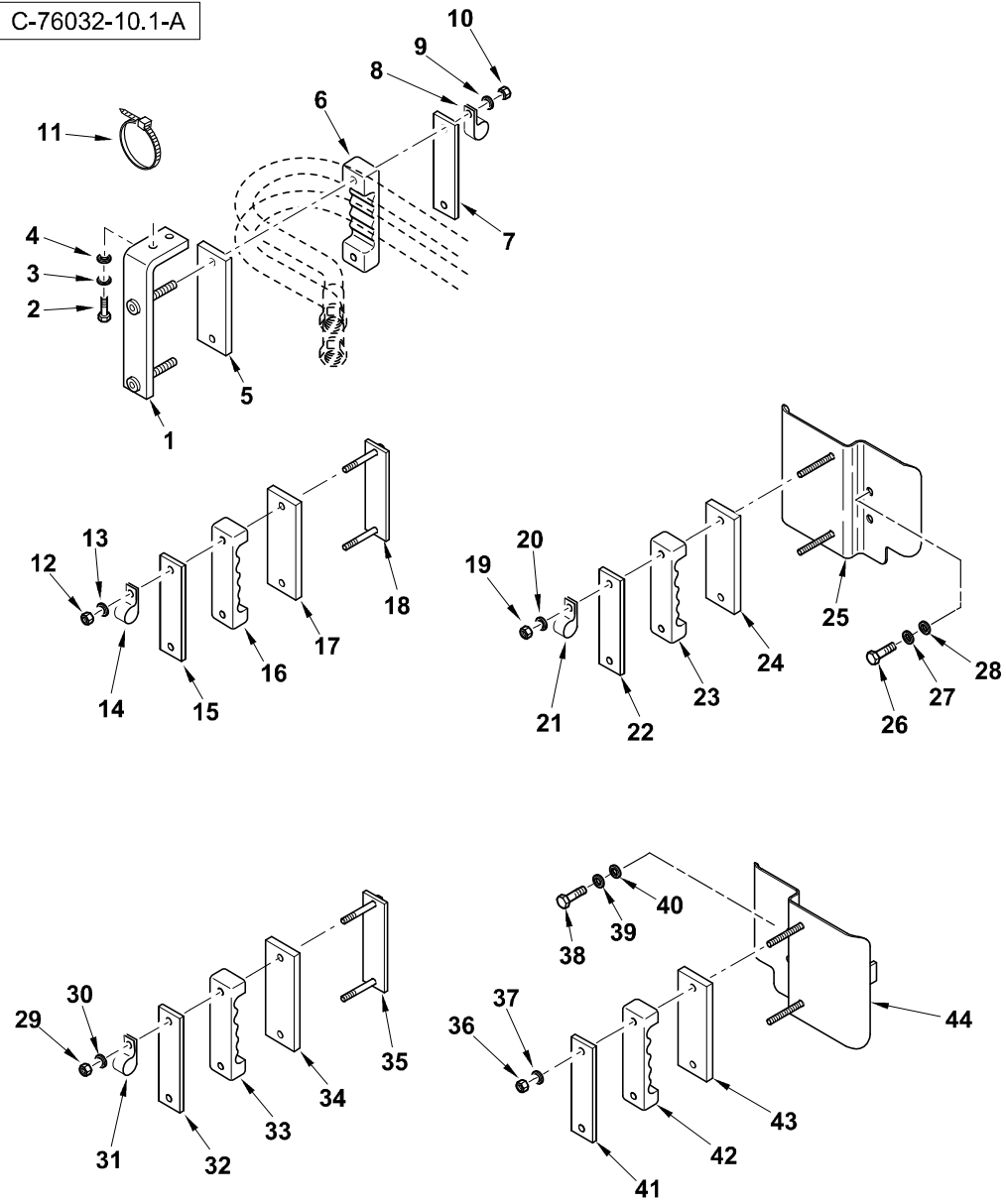
C-76032-09.1-A



Item	Part No.	Qty.	English	French	German	Spanish	Remarks
30	1441500X1	2	Nut M6 Z5 Nyloc	Ecrou	Flachmutter M6	Tuerca De Retención	
31	394367X1	2	Nut, Hex. - Nyloc, M8	Ecrou Blocage M8	Flachmutter - M8	Tuerca De Retención	
32	390972X1	2	Washer M8-17-1 Zwl	Rondelle M8	Scheibe - M8	Arandela	
33	6101215M1	1	Plate - Clamp	Plaque	Platte	Placa	
34	6101216M1	1	Clamp-Lh Hose	Collier De Serrage	Schlauchbinder	Argolla De Cierre	
35	6102197M1	1	Pad-Neoprene	Plaque De Caoutchouc	Gummiplatte	Placa, Caucho	
36	3009492X1	2	Bolt - Hex. M10 X 25	Boulon M10 X 25	Schraube M10 X 25	Tornillo	
37	339376X1	2	Washer M10-18-2 Zsp	Rondelle Frein	Federring	Arandela De Freno	
38	390734X1	2	Washer M10-21-2 Z	Rondelle - M10	Unterlegscheibe	Arandela	



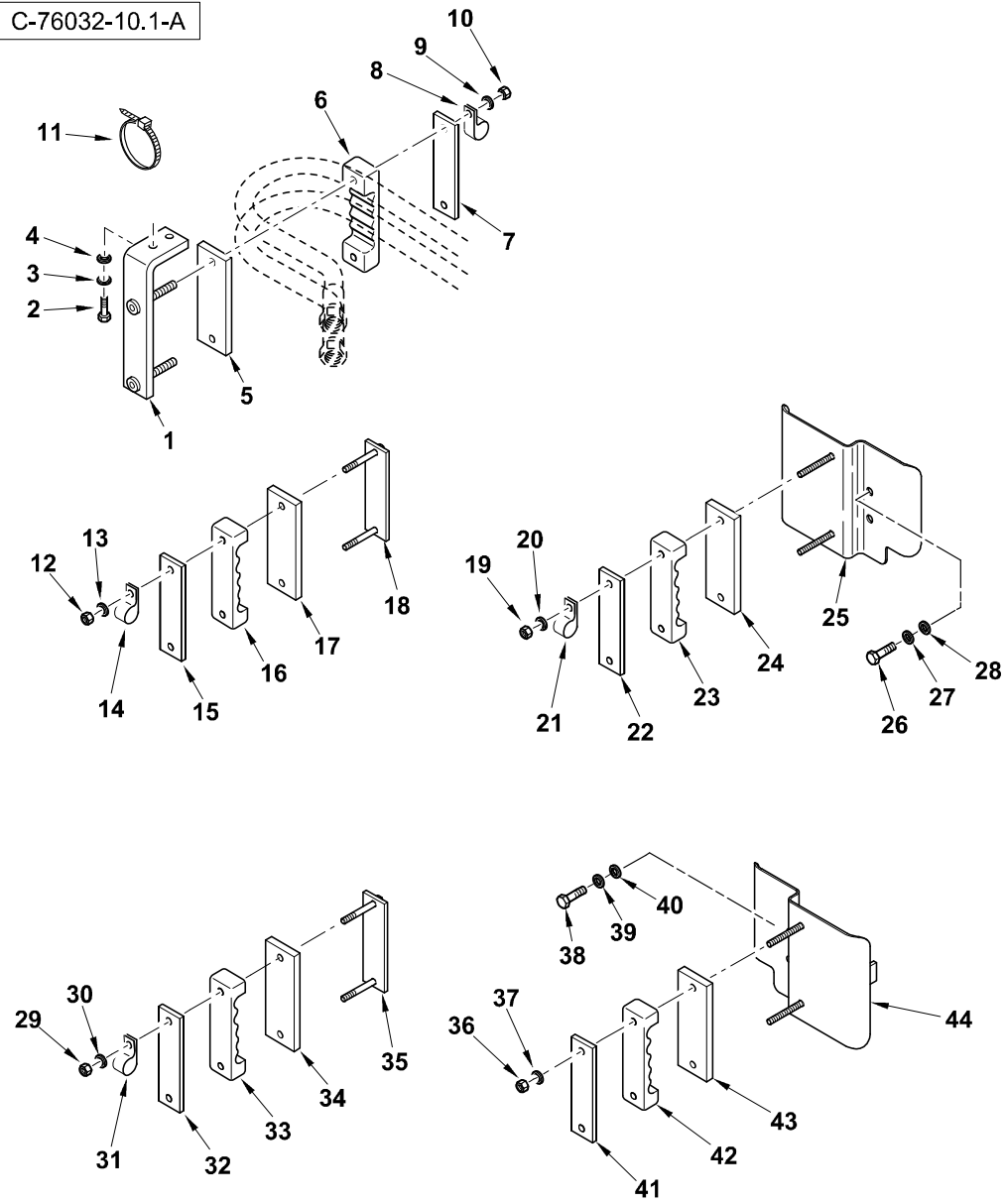
C-76032-10.1-A



Item	Part No.	Qty.	English	French	German	Spanish	Remarks
1	6107934M91	2	Bracket-Clamp	Patte Fixation	Halter	Brida De Fijación	
2	339761X1	4	Bolt M8-25 Z5f	Goupille	Bolzen M8 X 25	Tornillo	
3	390972X1	4	Washer M8-17-1 Zwl	Rondelle M8	Scheibe - M8	Arandela	
4	339374X1	4	Washer M8 -21-2 Z	Rondelle Frein - M8	Federring - M8	Arandela De Freno	
5	6102197M1	2	Pad-Neoprene	Plaque De Caoutchouc	Gummiplatte	Placa, Caucho	
6	6101859M1	1	Clamp-Rh Hose	Collier De Serrage	Schlauchbinder	Argolla De Cierre	
6	6101216M1	1	Clamp-Lh Hose	Collier De Serrage	Schlauchbinder	Argolla De Cierre	
7	6101215M1	2	Plate - Clamp	Plaque	Platte	Placa	
8	515-22159	1	Clip-Coated P	Collier De Serrage	Klemme	Argolla De Fijación	
9	390972X1	4	Washer M8-17-1 Zwl	Rondelle M8	Scheibe - M8	Arandela	
10	394367X1	4	Nut, Hex. - Nyloc, M8	Ecrou Blocage M8	Flachmutter - M8	Tuerca De Retención	
11	1862425M1	1	Tie 385mm T50I	Attache Cable	Kabelbinder	Enlace De Cable	
12	394367X1	2	Nut, Hex. - Nyloc, M8	Ecrou Blocage M8	Flachmutter - M8	Tuerca De Retención	
13	390972X1	2	Washer M8-17-1 Zwl	Rondelle M8	Scheibe - M8	Arandela	
14	515-22159	1	Clip-Coated P	Collier De Serrage	Klemme	Argolla De Fijación	
15	6101215M1	1	Plate - Clamp	Plaque	Platte	Placa	
16	6101859M1	1	Clamp-Rh Hose	Collier De Serrage	Schlauchbinder	Argolla De Cierre	
17	6102197M1	1	Pad-Neoprene	Plaque De Caoutchouc	Gummiplatte	Placa, Caucho	
18	6111437M91	1	Clamp - Hose Plate Assy.	Collier	Halteschelle	Placa, Conj.	
19	394367X1	2	Nut, Hex. - Nyloc, M8	Ecrou Blocage M8	Flachmutter - M8	Tuerca De Retención	
20	390972X1	2	Washer M8-17-1 Zwl	Rondelle M8	Scheibe - M8	Arandela	
21	515-22159	1	Clip-Coated P	Collier De Serrage	Klemme	Argolla De Fijación	
22	6101215M1	1	Plate - Clamp	Plaque	Platte	Placa	
23	6101859M1	1	Clamp-Rh Hose	Collier De Serrage	Schlauchbinder	Argolla De Cierre	
24	6102197M1	1	Pad-Neoprene	Plaque De Caoutchouc	Gummiplatte	Placa, Caucho	
25	6111548M91	1	Bracket- Hose Clamp RH W/A	Support Fixation	Haltearm	Cuchara, Conj.	
26	3009492X1	2	Bolt - Hex. M10 X 25	Boulon M10 X 25	Schraube M10 X 25	Tornillo	
27	339376X1	2	Washer M10-18-2 Zsp	Rondelle Frein	Federring	Arandela De Freno	
28	390734X1	2	Washer M10-21-2 Z	Rondelle - M10	Unterlegscheibe	Arandela	
29	394367X1	2	Nut, Hex. - Nyloc, M8	Ecrou Blocage M8	Flachmutter - M8	Tuerca De Retención	



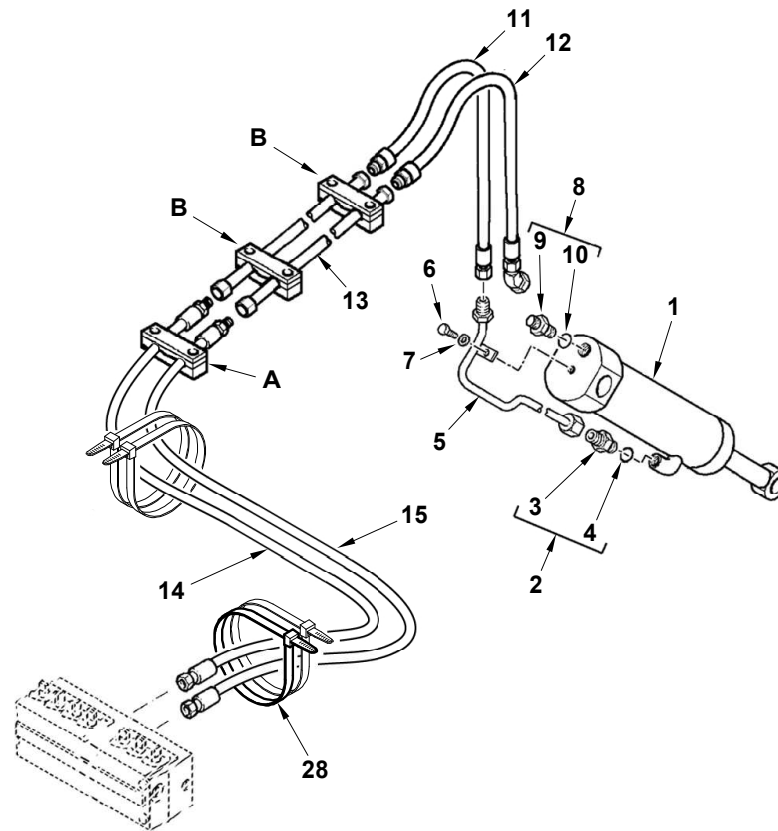
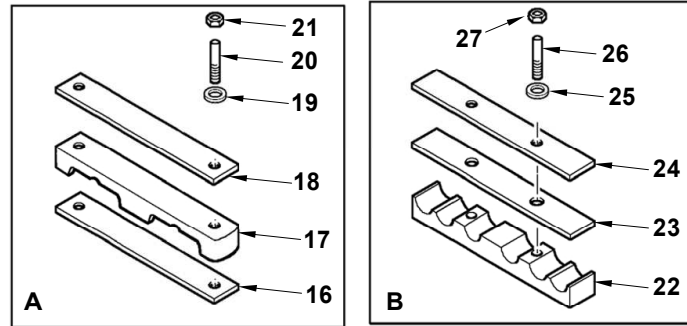
C-76032-10.1-A





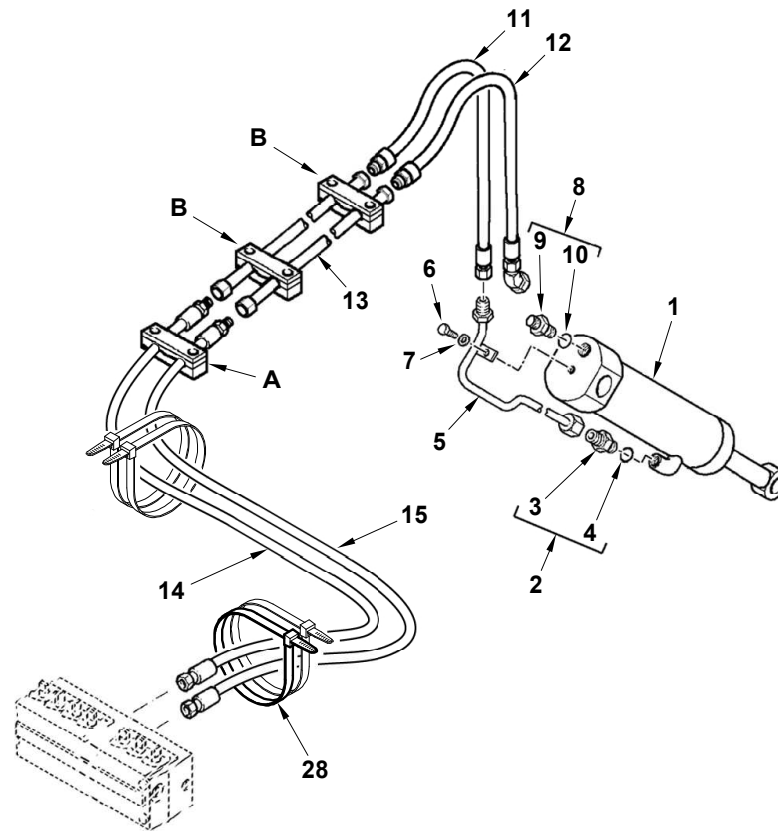
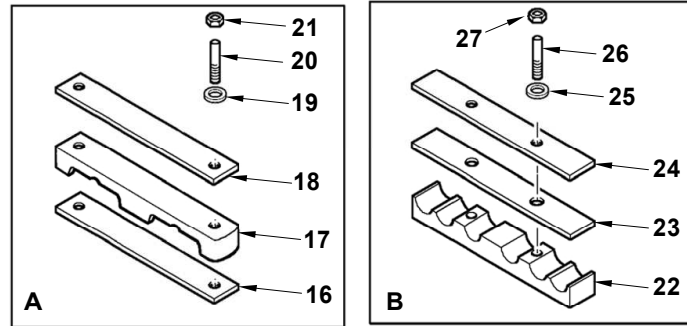
Item	Part No.	Qty.	English	French	German	Spanish	Remarks
30	390972X1	2	Washer M8-17-1 Zwl	Rondelle M8	Scheibe - M8	Arandela	
31	515-22159	1	Clip-Coated P	Collier De Serrage	Klemme	Argolla De Fijación	
32	6101215M1	1	Plate - Clamp	Plaque	Platte	Placa	
33	6101216M1	1	Clamp-Lh Hose	Collier De Serrage	Schlauchbinder	Argolla De Cierre	
34	6102197M1	1	Pad-Neoprene	Plaque De Caoutchouc	Gummiplatte	Placa, Caucho	
35	6111437M91	1	Clamp - Hose Plate Assy.	Collier	Halteschelle	Placa, Conj.	
36	394367X1	2	Nut, Hex. - Nyloc, M8	Ecrou Blocage M8	Flachmutter - M8	Tuerca De Retención	
37	390972X1	2	Washer M8-17-1 Zwl	Rondelle M8	Scheibe - M8	Arandela	
38	3009492X1	2	Bolt - Hex. M10 X 25	Boulon M10 X 25	Schraube M10 X 25	Tornillo	
39	339376X1	2	Washer M10-18-2 Zsp	Rondelle Frein	Federring	Arandela De Freno	
40	390734X1	2	Washer M10-21-2 Z	Rondelle - M10	Unterlegscheibe	Arandela	
41	6101215M1	1	Plate - Clamp	Plaque	Platte	Placa	
42	6101216M1	1	Clamp-Lh Hose	Collier De Serrage	Schlauchbinder	Argolla De Cierre	
43	6102197M1	1	Pad-Neoprene	Plaque De Caoutchouc	Gummiplatte	Placa, Caucho	
44	6111551M91	1	Bracket- Hose Clamp LH W/A	Support Fixation	Haltearm	Cuchara, Conj.	

C-76033-01.1-B



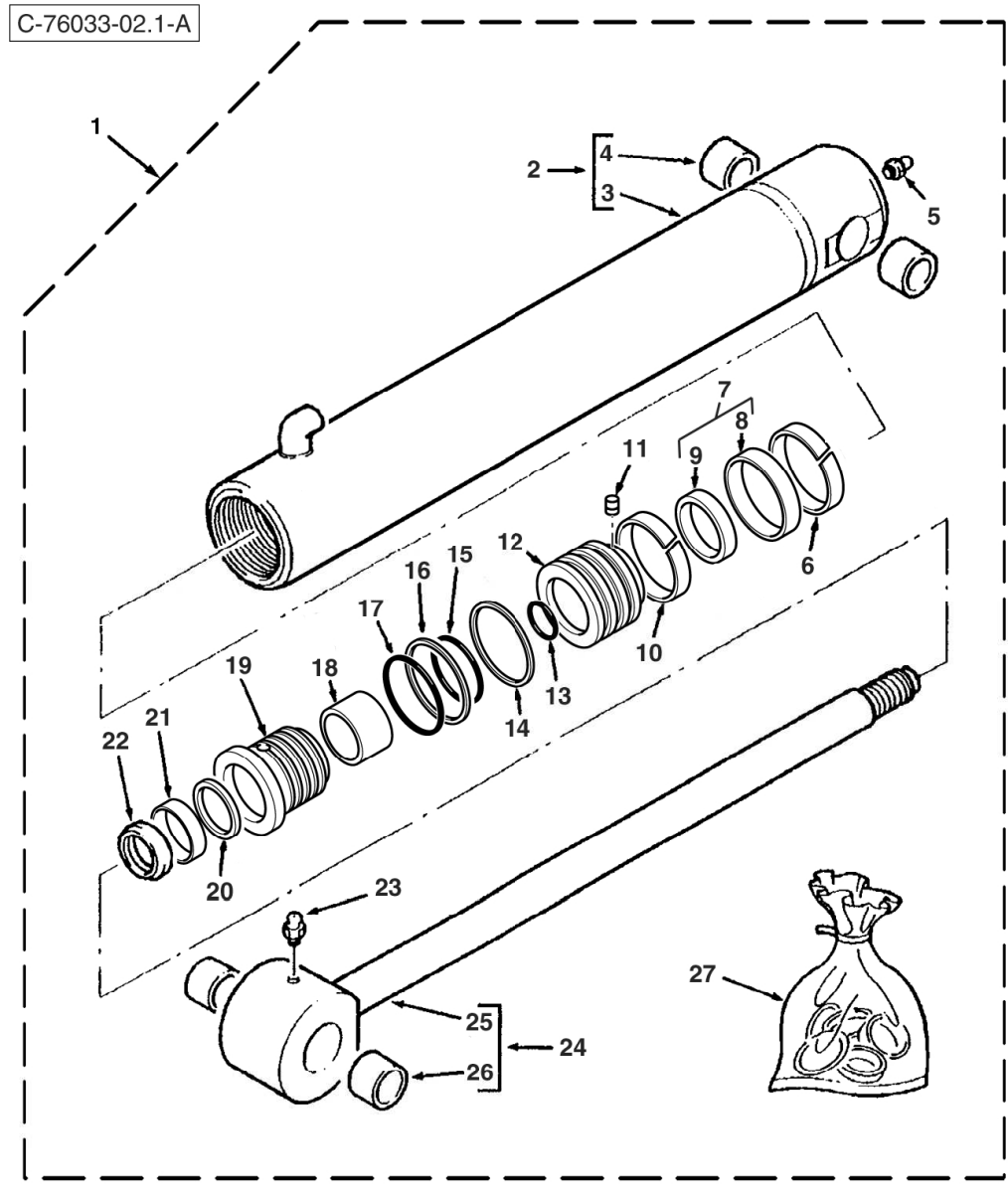
Item	Part No.	Qty.	English	French	German	Spanish	Remarks
1	#CYLINDER ASSY	1	Cylinder Assy	Cylinder Assy	Cylinder Assy	Cylinder Assy	[76033c02.1 1] [76033c02.2 1]
2	835013M91	1	Connector 7/8 Jic	Raccord	Schraubanschluss	Conexión, Conj.	
3	#UNION	1	Union	Union	Union	Union	Ref. 2
4	835024M1	1	Ring O - Boa	Joint Torique	O Ring	Junta De Tipo O	
5	6111161M91	1	Tube Assembly - Digger Bucket Cylinder	Tuyauterie	Rohrleitung Kplt	Conjunto De Tubería	Tba Wipro
5	6101540M91	1	Tube Assy Bucket	Tuyauterie	Rohrleitung Kplt	Conjunto De Tubería	Tba Pacoma
6	339123X1	1	Bolt M8-20 Z5f	Boulon M8 X 20	Maschschraube M8	Perno	
7	385361X1	1	Washer M8 Hardened	Rondelle M8	Scheibe M8	Arandela	
8	835013M91	1	Connector 7/8 Jic	Raccord	Schraubanschluss	Conexión, Conj.	
9	#UNION	1	Union	Union	Union	Union	Ref. 8
10	835024M1	1	Ring O - Boa	Joint Torique	O Ring	Junta De Tipo O	
11	#HOSE ASSY	1	Hose Assy	Hose Assy	Hose Assy	Hose Assy	Brown
12	#HOSE ASSY	1	Hose Assy	Hose Assy	Hose Assy	Hose Assy	White
13	6111137M91	2	Tube Assy - Bkt 4.5m Boom	Ensemble Tube	Rohr Kpl	Conjunto De Tubería	Ec05/328
13	6101771M91	2	Tube-Bucket-4.5m Boom	Tuyauterie	Rohrleitung Kplt	Conjunto De Tubería	Ec05/328
14	6111141M91	1	Hose Assy - Bucket Rod (Brown S/Shift)	Ensemble Durit	Schlauch Kplt	Flexible, Conj.	Brown Ec05/328
14	6108762M91	1	Hose-Ss Bucket Rod	Flexible Ass.	Schlauch Kplt	Flexible, Conj.	Brown Ec05/328
15	6111142M91	1	Hose Assy - Bucket HD (White S/Shift)	Ensemble Durit	Schlauch Kplt	Flexible, Conj.	White Ec05/328
15	6108763M91	1	Hose-Ss Bucket HD	Flexible Ass.	Schlauch Kplt	Flexible, Conj.	White Ec05/328
16	6102128M1	1	Pad-Neoprene	Plaque Antidérapante	Zwischenlage	Cinta Antideslizante	
17	6102122M1	1	Clamp	Collier De Serrage	Klemme	Brida De Fijación	
18	6102130M1	1	Plate-Clamp	Plaque	Platte	Placa	
19	390972X1	2	Washer M8-17-1 Zwel	Rondelle M8	Scheibe - M8	Arandela	
20	3516075M1	2	Stud M8-65 Z5	Goujon	Stehbolzen	Espárrago	
21	394367X1	2	Nut, Hex. - Nyloc, M8	Ecrou Blocage M8	Flachmutter - M8	Tuerca De Retención	
22	6102126M1	2	Clamp	Collier De Serrage	Klemme	Brida De Fijación	
23	6102145M1	2	Pad-Neoprene	Plaque Antidérapante	Zwischenlage	Cinta Antideslizante	
24	6102124M1	2	Plate-Top	Plaque	Platte	Placa	
25	390972X1	4	Washer M8-17-1 Zwel	Rondelle M8	Scheibe - M8	Arandela	
26	6108049M1	4	Stud M8	Goujon	Stehbolzen	Espárrago	

C-76033-01.1-B



<b>Item</b>	<b>Part No.</b>	<b>Qty.</b>	<b>English</b>	<b>French</b>	<b>German</b>	<b>Spanish</b>	<b>Remarks</b>
27	394367X1	4	Nut, Hex. - Nyloc, M8	Ecrou Blocage M8	Flachmutter - M8	Tuerca De Retención	
28	8000-1379	4	Tie Wrap ( 530 X 13mm )	Bride	Buegel	Banda	

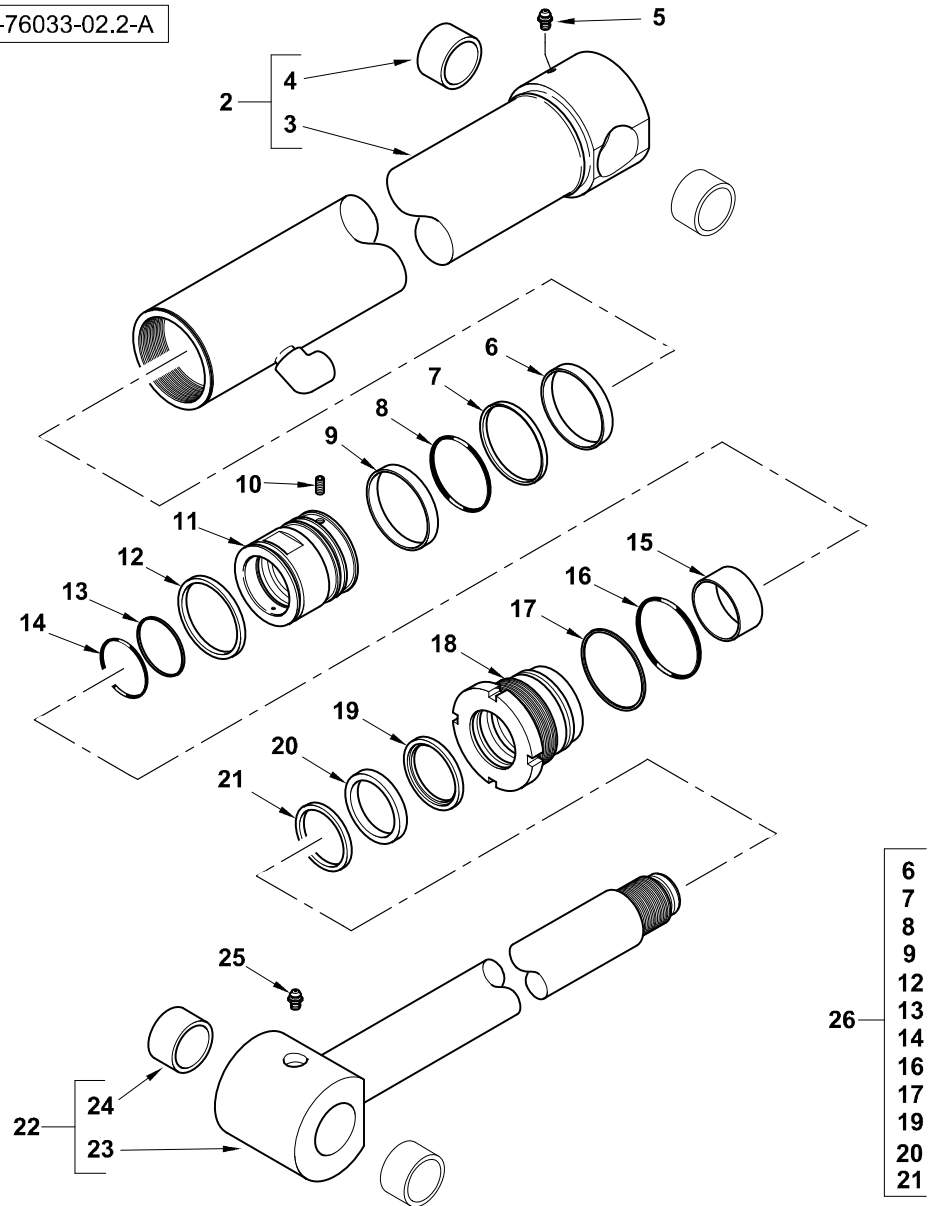




Item	Part No.	Qty.	English	French	German	Spanish	Remarks
1	5000126M91GY02	1	Cylinder Digger Bucket (Benford Grey)	L´Hie Hydraulique	Zylinder Hydr.	Gato, Conj.	Tba [76033c01.1 1]
2	5004008M91	1	Barrel Assy	Cylindre	Zylinder	Cilindro	
3	#TUBE, CYLINDER	1	Tube, Cylinder	Tube, Cylinder	Tube, Cylinder	Tube, Cylinder	Ref. 2
4	#BUSHING	1	Bushing	Douille	Busche	Boccola	
5	339608X1	1	Grease Nipple - M10 X 1 (Zinc)	Nipple De Graissage	Schmiernippel	Engrasador	
6	3485892M1	1	Guide Ring Piston	Bague D´Étanchéité	Dichtungsring	Anillo, Estanqueidad	
7	3485245M91	1	Seal Assy Piston	Joint Ass.	Dichtung Kplt	Junta, Conj.	
8	#SEAL	1	Seal	Joint Étanchéité	Dichtring	Retén	Ref. 7
9	#RING	1	Ring	Anneau	Ring	Aro	Ref. 7
10	3485892M1	1	Guide Ring Piston	Bague D´Étanchéité	Dichtungsring	Anillo, Estanqueidad	
11	3402928M1	1	Screw, Socket Head - Piston Locating	Vis Tête Hex	Zylinderschraube	Tornillo	
12	3623372M1	1	Piston	Piston	Kolben	Pistón	
13	359186X1	1	O-Ring	Joint Torique	O-Ring	Junta De Tipo O	
14	3623061M1	1	Ring Piston	Segment De Piston	Kolbenring	Segmento De Pistón	
15	359193X1	1	O-Ring	Joint Torique	O-Ring	Junta De Tipo O	
16	1606735M1	1	Ring Back-Up	Contre Bague	Stützring	ContraJunta	
17	3487207M1	1	O-Ring	Joint Torique	O-Ring	Junta De Tipo O	
18	3484615M1	1	Guide Ring	Anneau	Ring	Aro	
19	3623371M1	1	Gland - Bucket Cylinder	Presse Étoupe	Stopfbuchse	Cojinete	
20	3484055M1	1	Ring Buffer	Anneau	Ring	Aro	
21	3485185M1	1	Seal	Joint D´Arbre	Wellendichtring	Junta	
22	3487015M1	1	Wiper Ring	Anneau	Ring	Aro	
23	339608X1	1	Grease Nipple - M10 X 1 (Zinc)	Nipple De Graissage	Schmiernippel	Engrasador	
24	5004012M91	1	Piston Rod Assy - Nla	Tige De Vérin	Kolbenstange	Vástago Cilindro	
25	#ROD, PISTON	1	Rod, Piston	Rod, Piston	Rod, Piston	Rod, Piston	Ref. 24
26	#BUSHING	1	Bushing	Douille	Busche	Boccola	
27	3623373M91	1	Kit Seal	Jeu Etancheite	Dichtringsatz	Juego De Juntas	



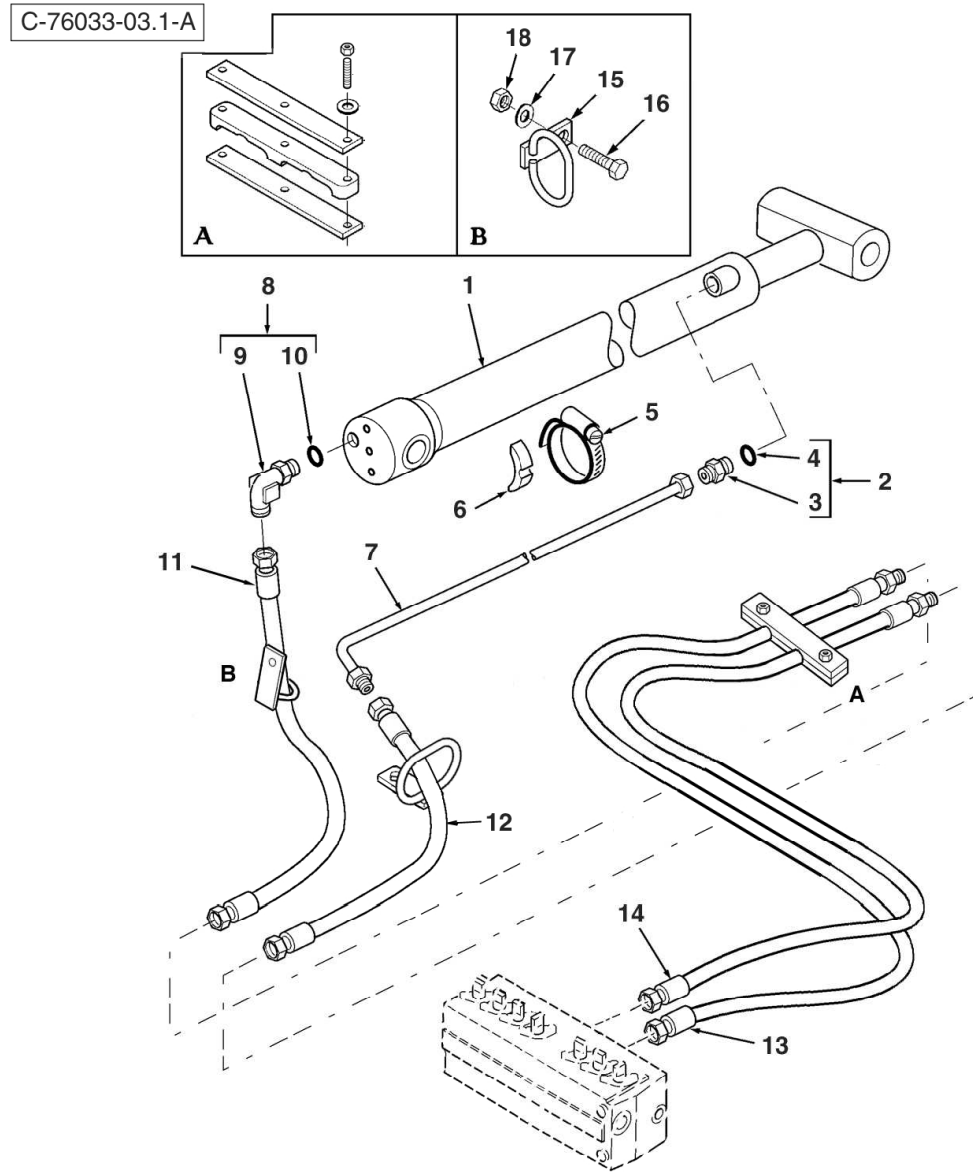
C-76033-02.2-A





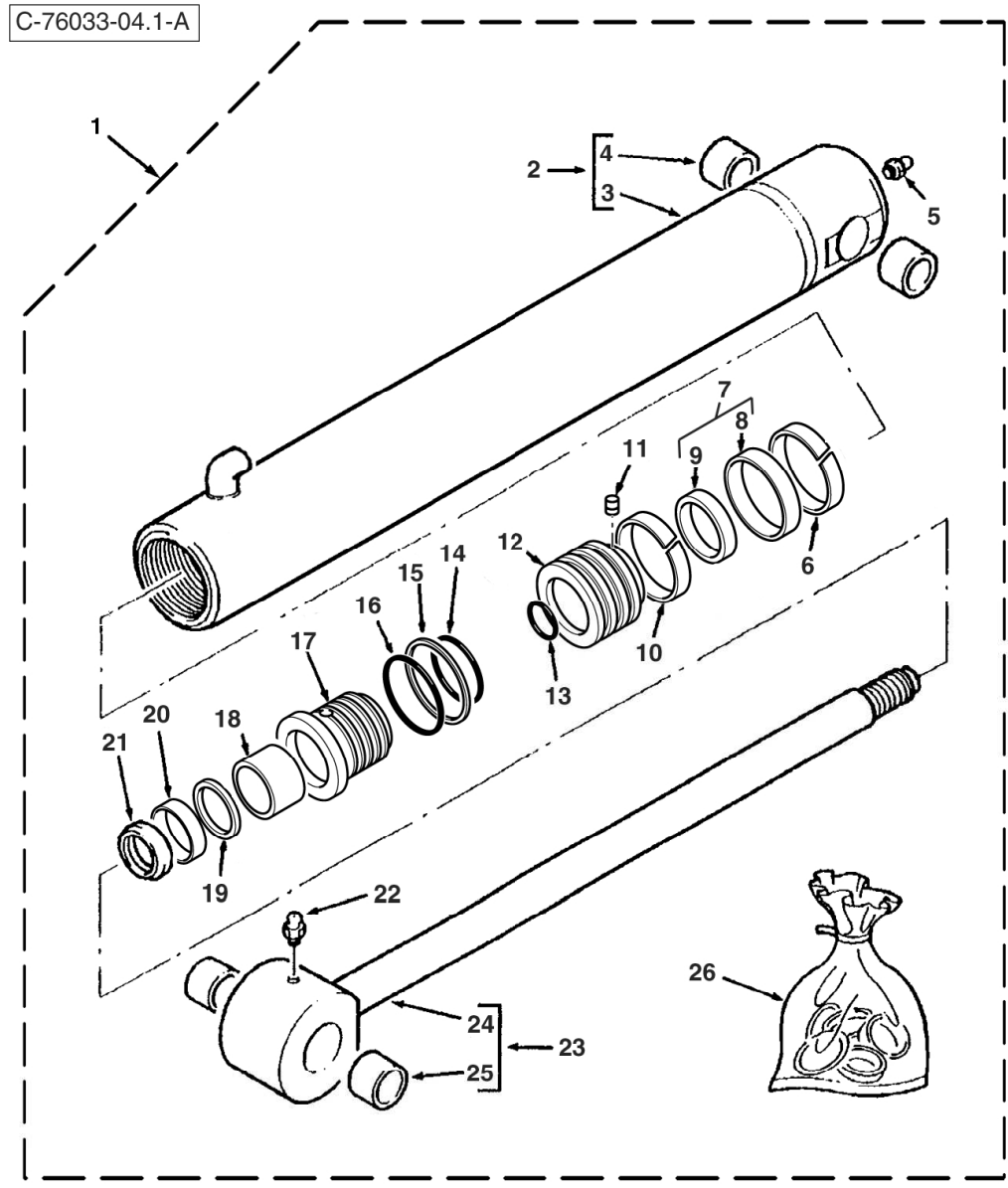
Item	Part No.	Qty.	English	French	German	Spanish	Remarks
1	6111070M91GY03	1	Cylinder- Digger Bucket	Cylindre	Zylinder	Gato, Conj.	Tba [76033c01.1 1]
2	6194629M91	1	Barrel - Cylinder	Corps Cylindre	Zylindergehäuse	Tubo	
3	#TUBE	1	Tube	Tube	Tube	Tube	Ref. 2
4	6194562M1	2	Bush	Douille	Büchse	Casquillo	
5	6194542M1	1	Nipple - Grease	Graisseur Coude	Nippel	Manguito, Engrasador	
6	6194634M1	1	Bearing - Piston	Coussinet	Lager	Teniendo - Pistón	
7	6194635M1	1	Seal - Piston	Joint Étanchéité	Dichtring	Junta	
8	6194636M1	1	O Ring (Std)	Joint Torique	O Ring	Junta De Tipo O	
9	6194634M1	1	Bearing - Piston	Coussinet	Lager	Teniendo - Pistón	
10	6194633M1	1	Set Screw - Hex Socket	Vis Tete Hex	Zylinderschraube	Tornillo De Ajuste	
11	6194631M1	1	Piston	Piston	Kolben	Pistón	
12	6194637M1	1	Ring - Piston	Segment Piston	Kolbenring	Segmento De Pistón	
13	6194625M1	1	Ring - Back Up	Contre Bague	Stutzring	ContraJunta	
14	6194624M1	1	O Ring (Std)	Joint Torique	O Ring	Junta De Tipo O	
15	6194541M1	1	Bush - Bimetal	Douille	Büchse	Juego De Anillos	
16	6194640M1	1	O Ring (Std)	Joint Torique	O Ring	Junta De Tipo O	
17	6194641M1	1	Ring - Back Up	Contre Bague	Stutzring	ContraJunta	
18	6194632M1	1	End Cover - Head	Couvercle	Deckel	Tapa	
19	6194638M1	1	Seal - Rod (Primary)	Joint Étanchéité	Dichtring	Junta	
20	6194639M1	1	Seal- Rod (Secondary)	Joint Étanchéité	Dichtring	Junta	
21	6194554M1	1	Wiper	Essuyeur	Wischer	Raspador, Escobilla	
22	6194630M91	1	Rod - Piston	Bielle De Piston	Pleuelstange	Rod - Pistón	
23	#ROD	1	Rod	Rod	Rod	Rod	Ref. 22
24	6194562M1	2	Bush	Douille	Büchse	Casquillo	
25	6194542M1	1	Nipple - Grease	Graisseur Coude	Nippel	Manguito, Engrasador	
26	6194642M91	0	Seal Kit	Jeu Etancheite	Dichtringsatz	Juego De Juntas	





Item	Part No.	Qty.	English	French	German	Spanish	Remarks
1	#CYLINDER ASSY	1	Cylinder Assy	Cylinder Assy	Cylinder Assy	Cylinder Assy	76033c04.1 1 76033c04.2 1
2	835013M91	1	Connector 7/8 Jic	Raccord	Schraubanschluss	Conexión, Conj.	
3	#UNION	1	Union	Union	Union	Union	Ref. 2
4	835024M1	1	Ring O - Boa	Joint Torique	O Ring	Junta De Tipo O	
5	3517733M1	1	Clamp Hose 130-150	Collier De Serrage	Schlauchbinder	Argolla De Cierre	
6	D142787	1	Saddle (See 142787d)	Selle	Sattel	Bloque De Caucho	
7	6111162M91	1	Tube Assembly - Dipper Cylinder	Tuyauterie	Rohrleitung Kplt	Conjunto De Tubería	Tba Wipro
7	6100976M92	1	Tube Assy. - Dipperstick Cylinder	Tuyauterie	Rohrleitung Kplt	Conjunto De Tubería	Tba Pacoma
8	6101624M91	1	Elbow 90deg-Long	Coude À 90°	Winkelstück	Codo, 90°	
9	#ELBOW	1	Elbow	Elbow	Elbow	Elbow	Ref. 8
10	835024M1	1	Ring O - Boa	Joint Torique	O Ring	Junta De Tipo O	
11	6101738M91	1	Hose-Dipper Head	Flexible Ass.	Schlauch Kplt	Flexible, Conj.	Yellow
12	6101737M91	1	Hose-Dipper Rod	Flexible Ass.	Schlauch Kplt	Flexible, Conj.	Red
13	6108767M91	1	Hose-Ss Dipper HD	Flexible Ass.	Schlauch Kplt	Flexible, Conj.	Yellow
14	6108766M91	1	Hose-Ss Dipper Rod	Flexible Ass.	Schlauch Kplt	Flexible, Conj.	Red
15	6101491M92	2	Hose Hoop Assy	Ensemble De Support	Haltevorrichtung Kpl.	Apoyadero, Conj.	
16	339761X1	2	Bolt M8-25 Z5f	Goupille	Bolzen M8 X 25	Tornillo	
17	390972X1	2	Washer M8-17-1 Zwl	Rondelle M8	Scheibe - M8	Arandela	
18	394367X1	2	Nut, Hex. - Nyloc, M8	Ecrou Blocage M8	Flachmutter - M8	Tuerca De Retención	

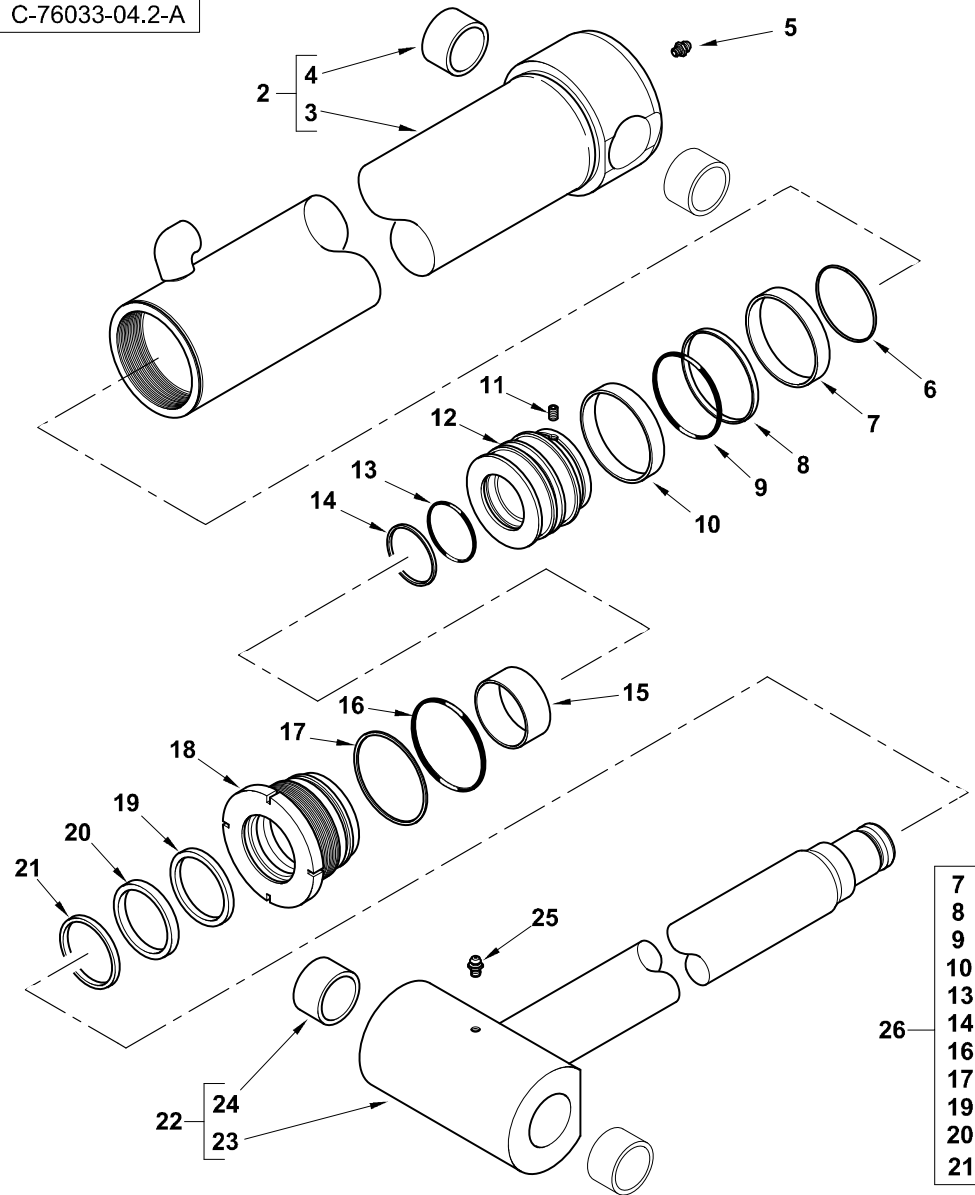




Item	Part No.	Qty.	English	French	German	Spanish	Remarks
1	5000124M91GY02	1	Cylinder Dipperstick (Benford Grey)	L´Hie Hydraulique	Zylinder Hydr.	Gato, Conj.	Tba [76033c03.1 1]
2	5003982M91	1	Barrel Assy. - Dipper Cylinder	Corps Cylindre	Zylindergehäuse	Cilindro	
3	#TUBE, CYLINDER	1	Tube, Cylinder	Tube, Cylindre	Tube, Cylinder	Tube, Cylinder	Ref. 2
4	3484843M1	1	Bush, Hydr. Cylinders	Douille	Buechse	Casquillo	
5	339608X1	1	Grease Nipple - M10 X 1 (Zinc)	Nipple De Graissage	Schmiernippel	Engrasador	
6	3485891M1	1	Guide Ring Piston	Anneau	Ring	Aro	
7	3485247M91	1	Seal Piston	Joint	Dichtung	Junta, Conj.	
8	#SEAL	1	Seal	Joint Étanchéité	Dichtring	Retén	Ref. 7
9	#RING	1	Ring	Anneau	Ring	Aro	Ref. 7
10	3485891M1	1	Guide Ring Piston	Anneau	Ring	Aro	
11	3402928M1	1	Screw, Socket Head - Piston Locating	Vis Tête Hex	Zylinderschraube	Tornillo	
12	5003989M1	1	Piston	Piston	Kolben	Pistón	
13	3007182X1	1	O-Ring	Joint Torique	O-Ring	Junta De Tipo O	
14	359196X1	1	O Ring	Joint Torique	O Ring	Junta De Tipo O	
15	378545X1	1	Ring - Backup	Contre Bague	Stutzring	Aro	
16	3487908M1	1	O Ring, Hydr. Cylinder	Joint Torique	O Ring	Junta De Tipo O	
17	5003988M1	1	Bearing Cylinder	Roulement	Lager	Cojinete	
18	3623193M1	1	Guide Ring	Anneau	Ring	Aro	
19	3443388M1	1	Ring - Back Up	Anneau	Ring	Aro	
20	3443472M1	1	Seal	Joint D´Arbre	Wellendichtring	Junta	
21	3403385M1	1	Wiper Ring	Joint De Racleur	Abstreifdichtung	Junta Raspador	
22	339608X1	1	Grease Nipple - M10 X 1 (Zinc)	Nipple De Graissage	Schmiernippel	Engrasador	
23	5003985M91	1	Piston Rod Assy	Tige De Vérin	Kolbenstange	Vástago Cilindro	
24	#ROD, PISTON	1	Rod, Piston	Rod, Piston	Rod, Piston	Rod, Piston	Ref. 23
25	3484843M1	1	Bush, Hydr. Cylinders	Douille	Buechse	Casquillo	
26	5004401M91	1	Kit Seal	Jeu Étanchéité	Dichtringsatz	Juego De Juntas	



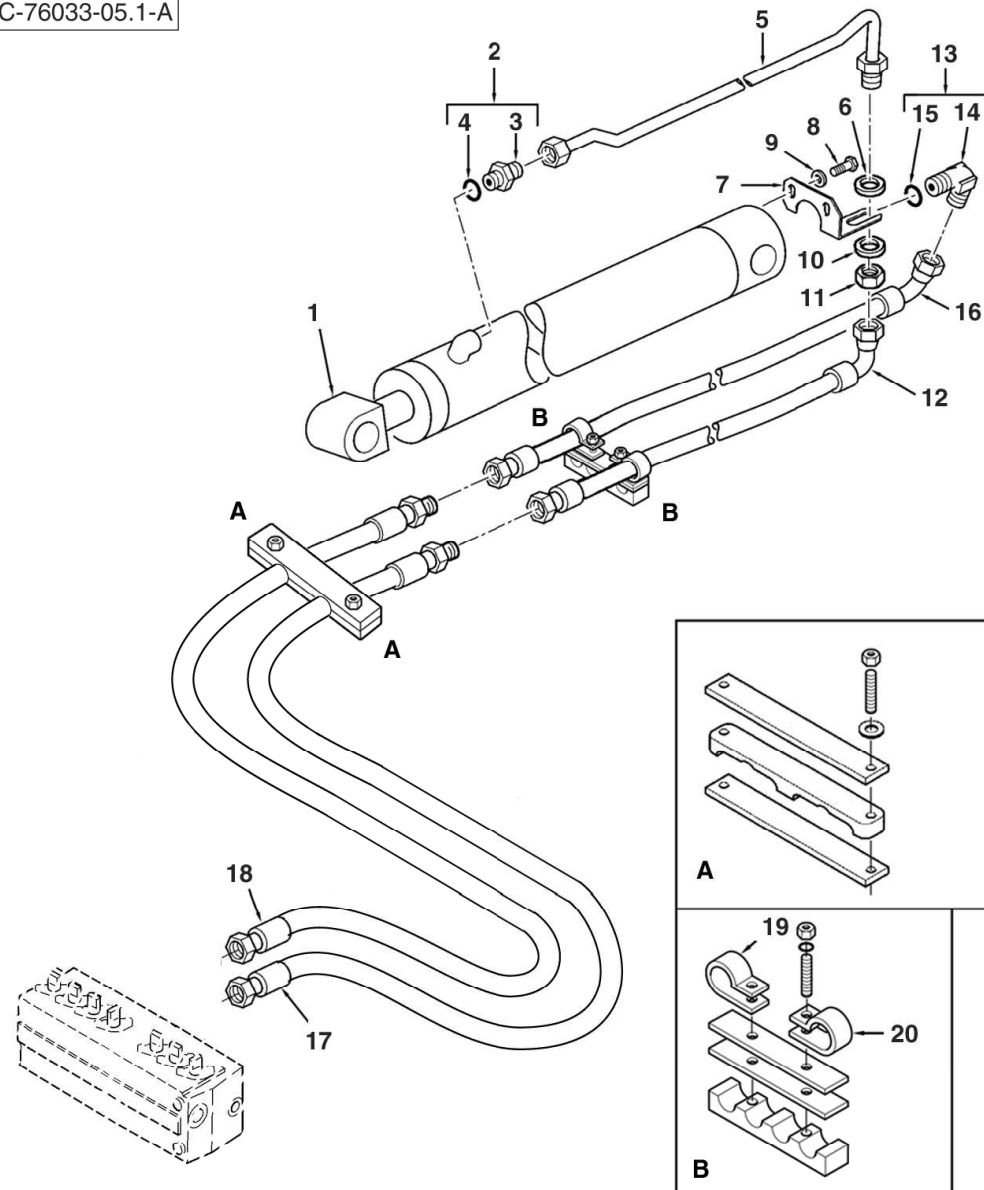
C-76033-04.2-A



Item	Part No.	Qty.	English	French	German	Spanish	Remarks
1	6111069M91GY03	1	Cylinder - Dipperstick	Cylindre	Zylinder	Gato, Conj.	Tba [76033c03.1 1]
2	6194615M91	1	Barrel - Cylinder	Corps Cylindre	Zylindergehäuse	Conjunto De Tubería	
3	#TUBE	1	Tube	Tube	Tube	Tube	Ref. 2
4	6194562M1	2	Bush	Douille	Büchse	Casquillo	
5	6194542M1	1	Nipple - Grease	Graisseur Coude	Nippel	Manguito, Engrasador	
6	6194620M1	1	Ring - Snap	Fermeoir	Sprengring	Anillo De Resorte	
7	6194621M1	1	Bearing - Piston	Coussinet	Lager	Teniendo - Pistón	
8	6194622M1	1	Seal - Piston	Joint Étanchéité	Dichtring	Junta	
9	6194623M1	1	O Ring (Std)	Joint Torique	O Ring	Junta De Tipo O	
10	6194621M1	1	Bearing - Piston	Coussinet	Lager	Teniendo - Pistón	
11	6194619M1	1	Set Screw	Vis	Schraube	Tornillo De Ajuste	
12	6194617M1	1	Piston	Piston	Kolben	Pistón	
13	6194624M1	1	O Ring (Std)	Joint Torique	O Ring	Junta De Tipo O	
14	6194625M1	1	Ring - Back Up	Contre Bague	Stutzring	ContraJunta	
15	6194565M1	1	Bush - Bimetal	Douille	Büchse	Juego De Anillos	
16	6194626M1	1	O Ring (Std)	Joint Torique	O Ring	Junta De Tipo O	
17	6194627M1	1	Ring - Back Up	Contre Bague	Stutzring	ContraJunta	
18	6194618M1	1	End Cover - Head	Couvercle	Deckel	Tapa	
19	6194575M1	1	Seal - Rod (Primary)	Joint Étanchéité	Dichtring	Junta	
20	6194576M1	1	Seal- Rod (Secondary)	Joint Étanchéité	Dichtring	Junta	
21	6194573M1	1	Wiper	Essuyeur	Wischer	Raspador, Escobilla	
22	6194616M91	1	Rod - Piston	Bielle De Piston	Pleuelstange	Rod - Pistón	
23	#ROD	1	Rod	Rod	Rod	Rod	Ref. 22
24	6194562M1	2	Bush	Douille	Büchse	Casquillo	
25	6194542M1	1	Nipple - Grease	Graisseur Coude	Nippel	Manguito, Engrasador	
26	6194628M91	0	Seal Kit	Jeu Etancheite	Dichtringsatz	Juego De Juntas	



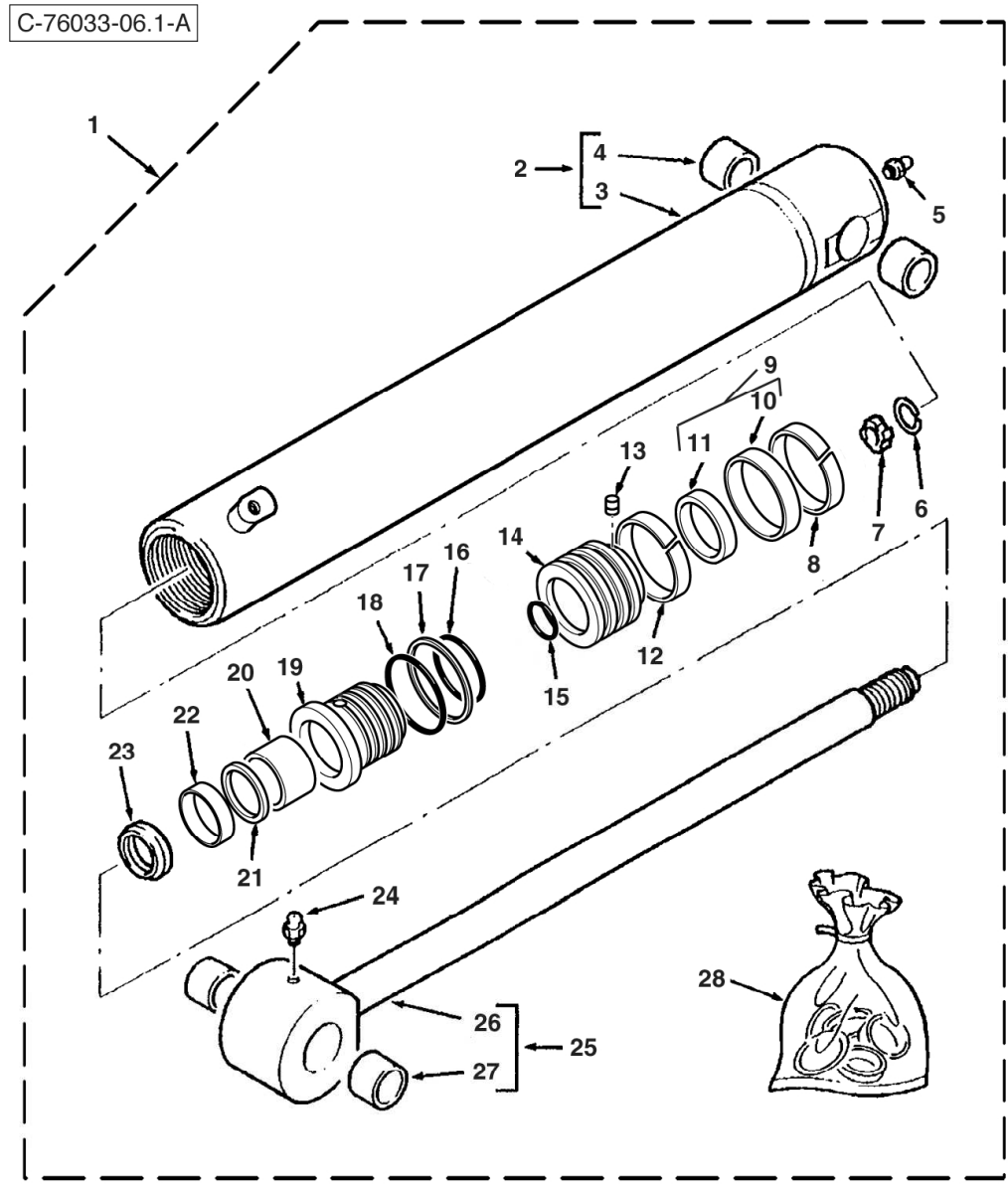
C-76033-05.1-A





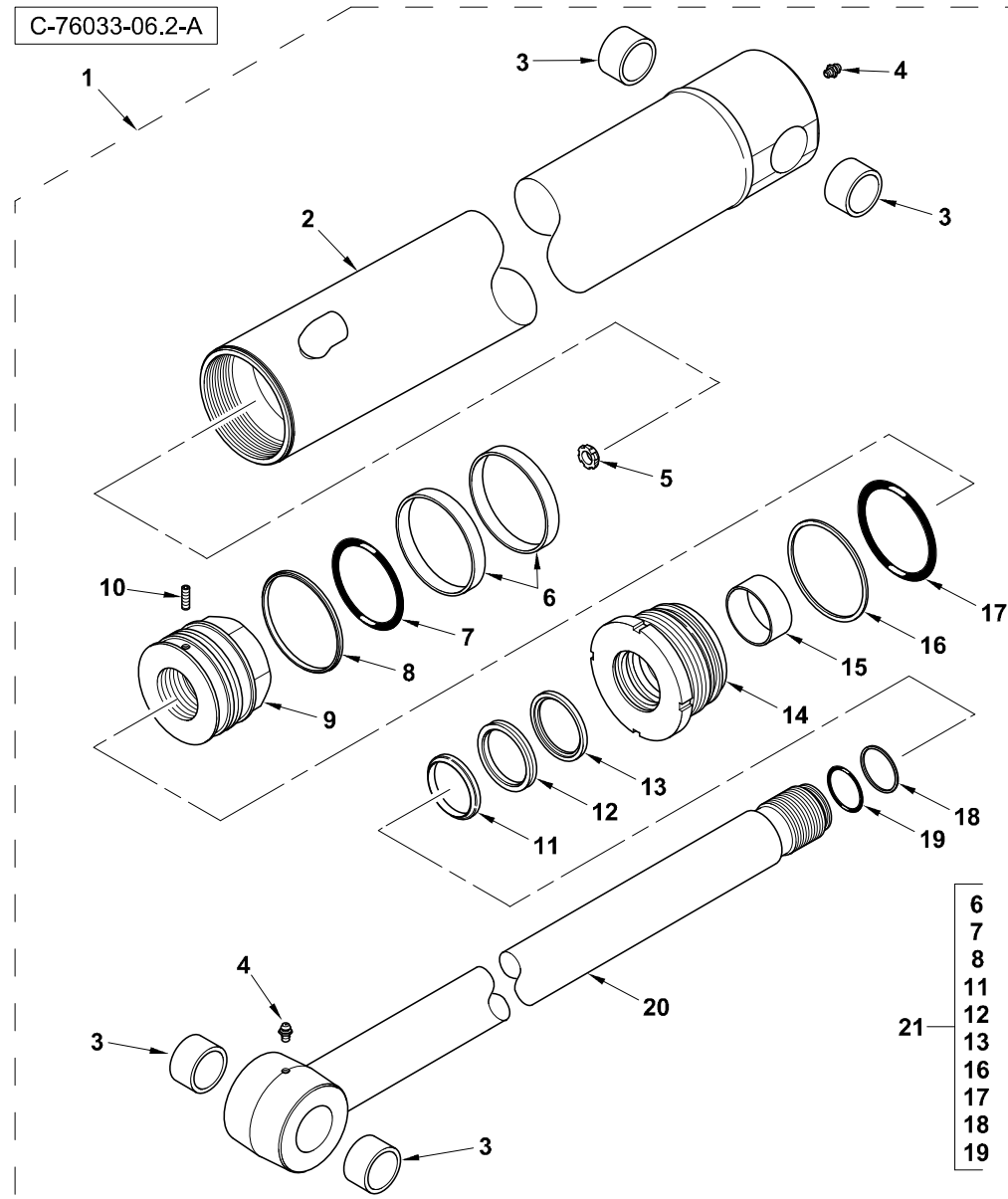
Item	Part No.	Qty.	English	French	German	Spanish	Remarks
1	6111078M91GY03	1	Cylinder Boom 4.5	Cylindre 4.5m	Zylinder 4.5m	Cilindro 4.5m	Wipro
1	5000122M91	1	Cylinder 4.5m B00m - Hi Spec	L' Hie Hydraulique	Zylinder Hydr.	Gato, Conj.	Pacoma
2	835013M91	1	Connector 7/8 Jic	Raccord	Schraubanschluss	Conexión, Conj.	
3	#UNION	1	Union	Union	Union	Union	Ref. 2
4	835024M1	1	Ring O - Boa	Joint Torique	O Ring	Junta De Tipo O	
5	6111166M91	1	Tube Assembly - Boom Cylinder 4.5m	Tuyauterie	Rohrleitung Kplt	Conjunto De Tubería	Wipro
5	6100855M91	1	Tube-Cylinder-4.5 Boom	Tuyauterie	Rohrleitung Kplt	Conjunto De Tubería	Pacoma
6	353763X1	1	Washer	Rondelle	Scheibe	Arandela	
7	6100883M1	1	Bracket-Cylinder-Boom	Patte Fixation	Halter	Pata De Fijación	
8	339228X1	2	Bolt, Hex. - M8 X 12 (Coarse)	Boulon M8 X 12	Maschschraube M8	Tornillo	
9	339374X1	2	Washer M8 -21-2 Z	Rondelle Frein - M8	Federring - M8	Arandela De Freno	
10	353763X1	1	Washer	Rondelle	Scheibe	Arandela	
11	355574X1	1	Nut, Hex. - 7/8" Unf, Lock	Ecrou 7/8" Unf	Mutter 7/8" Unf	Tuerca	
12	6101735M92	1	Hose-Boom Cyl Rod	Flexible Ass.	Schlauch Kplt	Flexible, Conj.	Orange
13	835007M91	1	Elbow 90 Degree Adjust	Coude 90°	Kniestück 90°	Codo, 90°	
14	#ELBOW	1	Elbow	Elbow	Elbow	Elbow	Ref. 13
15	835024M1	1	Ring O - Boa	Joint Torique	O Ring	Junta De Tipo O	
16	6101736M92	1	Hose, "Blue" - Boom Cylinder Feed	Flexible	Schlauch	Flexible, Conj.	Blue
17	6108761M91	1	Hose-Ss Boom Rod	Flexible Ass.	Schlauch Kplt	Flexible, Conj.	Orange
18	6108760M91	1	Hose-Ss Boom HD	Flexible Ass.	Schlauch Kplt	Flexible, Conj.	Blue
19	515-23270	1	Clip-Coated P	Clip	Klips	Clip	
20	515-23206	1	P Clip Bsr081hs	Bride Pour Tutaux	Schlauchschelle	Abrazadera De Manguera	





Item	Part No.	Qty.	English	French	German	Spanish	Remarks
1	5000122M91	1	Cylinder 4.5m B00m - Hi Spec	L´Hie Hydraulique	Zylinder Hydr.	Gato, Conj.	76033c05.1 1
2	5003912M91	1	Barrel Assy	Cylindre	Zylinder	Cilindro	
3	#TUBE, CYLINDER	1	Tube, Cylinder	Tube, Cylinder	Tube, Cylinder	Tube, Cylinder	Ref. 2
4	#BUSHING	2	Bushing	Douille	Busche	Boccola	
5	339608X1	1	Grease Nipple - M10 X 1 (Zinc)	Nipple De Graissage	Schmiernippel	Engrasador	
6	1609899M1	1	Snap Ring	Anneau D´Arrêt	Sprengring	Anillo De Resorte	
7	1609328M1	1	Ring Cushioning	Anneau	Ring	Aro	
8	3403852M1	2	Ring, Guide - Piston	Anneau	Ring	Aro	
9	3485213M91	1	Seal Piston	Joint	Dichtung	Junta, Conj.	
10	#SEAL	1	Seal	Joint Étanchéité	Dichtring	Retén	Ref. 9
11	#SEAL	1	Seal	Joint Étanchéité	Dichtring	Retén	Ref. 9
13	3402928M1	1	Screw, Socket Head - Piston Locating	Vis Tête Hex	Zylinderschraube	Tornillo	
14	3484189M1	1	Piston	Piston	Kolben	Pistón	
15	3007182X1	1	O-Ring	Joint Torique	O-Ring	Junta De Tipo O	
16	359203X1	1	O-Ring	Joint Torique	O-Ring	Junta De Tipo O	
17	367120X1	1	Back-Up Ring	Contre Bague	Stützring	Aro	
18	3487909M1	1	O-Ring	Joint Torique	O-Ring	Junta De Tipo O	
19	3623202M1	1	Bearing	Roulement	Lager	Cojinete	
20	3623193M1	1	Guide Ring	Anneau	Ring	Aro	
21	3443388M1	1	Ring - Back Up	Anneau	Ring	Aro	
22	3443472M1	1	Seal	Joint D´Arbre	Wellendichtring	Junta	
23	3403385M1	1	Wiper Ring	Joint De Racleur	Abstreifdichtung	Junta Raspador	
24	339608X1	1	Grease Nipple - M10 X 1 (Zinc)	Nipple De Graissage	Schmiernippel	Engrasador	
25	3441629M91	1	Piston Rod Assy	Tige De Vérin	Kolbenstange	Vástago Cilindro	
26	#ROD, PISTON	1	Rod, Piston	Rod, Piston	Rod, Piston	Rod, Piston	Ref. 25
27	3484843M1	1	Bush, Hydr. Cylinders	Douille	Buechse	Casquillo	

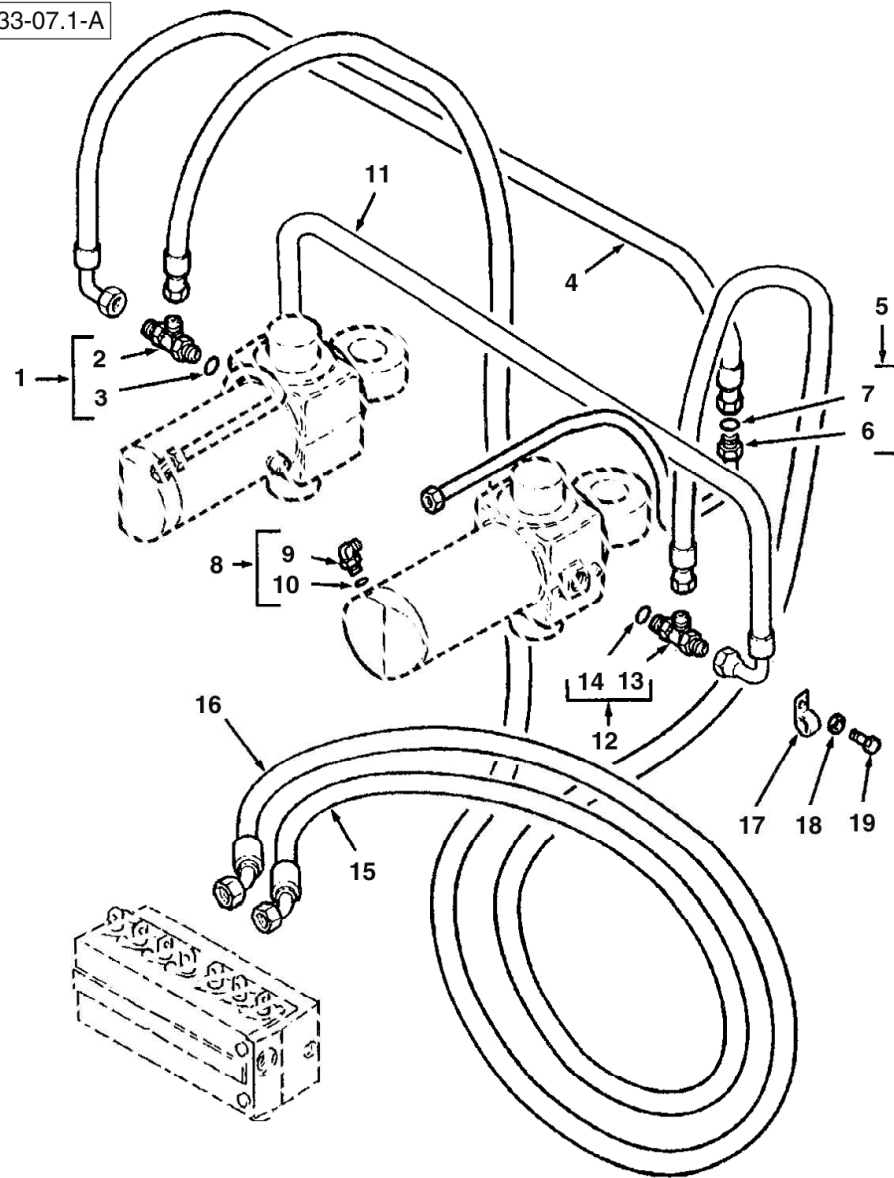




Item	Part No.	Qty.	English	French	German	Spanish	Remarks
1	6111078M91GY03	1	Cylinder Boom 4.5	Cylindre 4.5m	Zylinder 4.5m	Cilindro 4.5m	
2	6195249M91GY03	1	Tube - S/A (Terex Grey)	Tube - S/A (Terex Grey)	Tube - S/A (Terex Grey)	Tube - S/A (Terex Grey)	
3	6195253M1	4	Bush	Douille	Buchse	Casquillo	
4	6195255M1	2	Grease Nipple	Grease Nipple	Grease Nipple	Grease Nipple	
5	6195235M1	1	Ring - Cushion	Ring - Cushion	Ring - Cushion	Ring - Cushion	
6	6195259M1	2	Bearing - Piston	Bearing - Piston	Bearing - Piston	Bearing - Piston	
7	6195258M1	1	O - Ring	O - Ring	O - Ring	O - Ring	
8	6195257M1	1	Seal - Piston	Seal - Piston	Seal - Piston	Seal - Piston	
9	6195251M1	1	Piston	Piston	Piston	Piston	
10	6195254M1	1	Set Screw - Hex. Socket	Set Screw - Hex. Socket	Set Screw - Hex. Socket	Set Screw - Hex. Socket	
11	6194573M1	1	Wiper	Essuyeur	Wischer	Raspador, Escobilla	
12	6195262M1	1	Seal - Rod (Secondary)	Seal - Rod (Secondary)	Seal - Rod (Secondary)	Seal - Rod (Secondary)	
13	6194575M1	1	Seal - Rod (Primary)	Joint Étanchéité	Dichtring	Junta	
14	6195252M1	1	Cover - H.E.	Cover - H.E.	Cover - H.E.	Cover - H.E.	
15	6195256M1	1	Bush - Bimetal	Bush - Bimetal	Bush - Bimetal	Bush - Bimetal	
16	6195261M1	1	Ring - Back Up	Ring - Back Up	Ring - Back Up	Ring - Back Up	
17	6195260M1	1	O - Ring	O - Ring	O - Ring	O - Ring	
18	6194570M1	1	Ring - Back Up	Contre Bague	Stutzring	ContraJunta	
19	6195247M1	1	O - Ring	O - Ring	O - Ring	O - Ring	
20	6195250M91	1	Piston Rod - S/A	Piston Rod - S/A	Piston Rod - S/A	Piston Rod - S/A	
21	6195263M91	1	Seal Kit	Jeu Etancheite	Dichtringsatz	Juego Retenes	



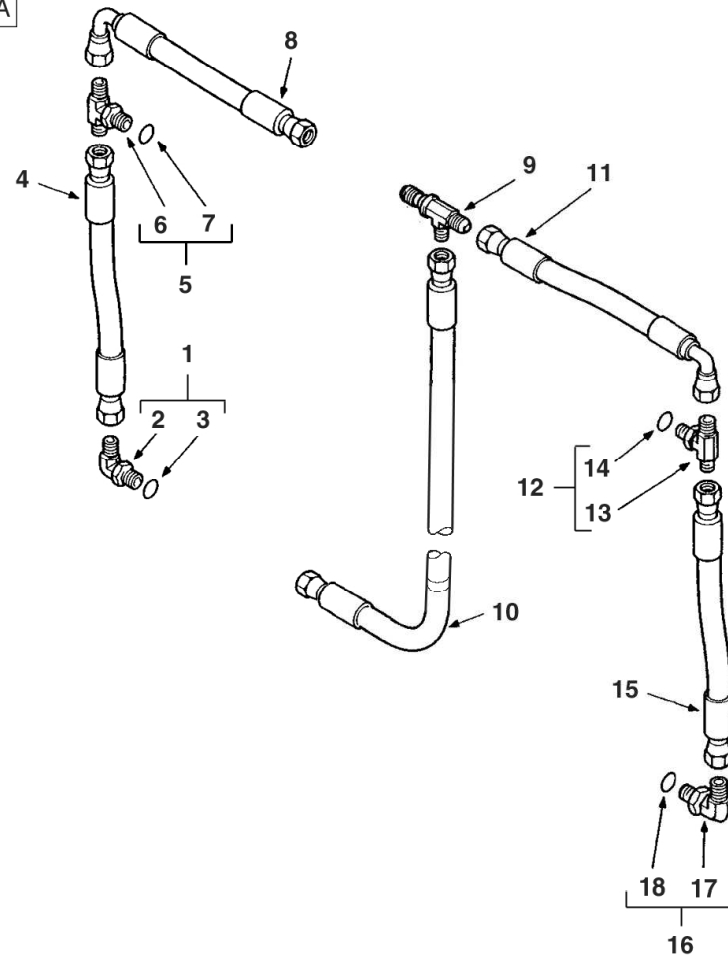
C-76033-07.1-A



Item	Part No.	Qty.	English	French	German	Spanish	Remarks
1	358728X91	1	Tee	Te	T-Stück	Te	
2	#TEE	1	Tee	Tee	Tee	Tee	Ref. 1
3	831497M1	1	O-Ring	Joint Torique	O-Ring	Junta De Tipo O	
4	6100716M91	1	Hose Slew Trsfr	Flexible Ass.	Schlauch Kplt	Flexible, Conj.	
5	6111175M92	1	Tube Assy Slew	Ensemble Tube	Rohr Kpl	Conj.De Tubo	RH Wipro
5	6111174M92	1	Tube Assy Slew	Ensemble Tube	Rohr Kpl	Conj. De Tubo	LH Wipro
5	6100587M91	1	Tube Slew Trsf LH	Tuyauterie	Rohrleitung Kplt	Conjunto De Tubería	Pacoma
5	6100589M91	1	Tube Slew Trsf RH	Tuyauterie	Rohrleitung Kplt	Conjunto De Tubería	Pacoma
6	#TUBE	1	Tube	Tube	Tube	Tube	Ref. 5
7	394923X1	1	O Ring	Joint Torique	O Ring	Junta De Tipo O	
8	357197X91	2	Elbow & O Ring	Coude	Kniestück, 90°	Codo, 90°	
9	#ELBOW	1	Elbow	Elbow	Elbow	Elbow	Ref. 8
10	831452M1	1	O Ring (Pack Of 10)	Joint Torique	O Ring	Junta De Tipo O	
11	6100716M91	1	Hose Slew Trsfr	Flexible Ass.	Schlauch Kplt	Flexible, Conj.	
12	358728X91	1	Tee	Te	T-Stück	Te	
13	#TEE	1	Tee	Tee	Tee	Tee	Ref. 12
14	831497M1	1	O-Ring	Joint Torique	O-Ring	Junta De Tipo O	
15	6107456M91	1	Hose-Iso Ss LH Swing	Flexible Ass.	Schlauch Kplt	Flexible, Conj.	
16	6107455M91	1	Hose-Iso Ss RH Swing	Flexible Ass.	Schlauch Kplt	Flexible, Conj.	
17	3517114M2	2	P - Clip	Collier De Fixation	Befestigungsschelle	Argolla De Fijación	
18	385361X1	2	Washer M8 Hardened	Rondelle M8	Scheibe M8	Arandela	
19	339228X1	2	Bolt, Hex. - M8 X 12 (Coarse)	Boulon M8 X 12	Maschschraube M8	Tornillo	



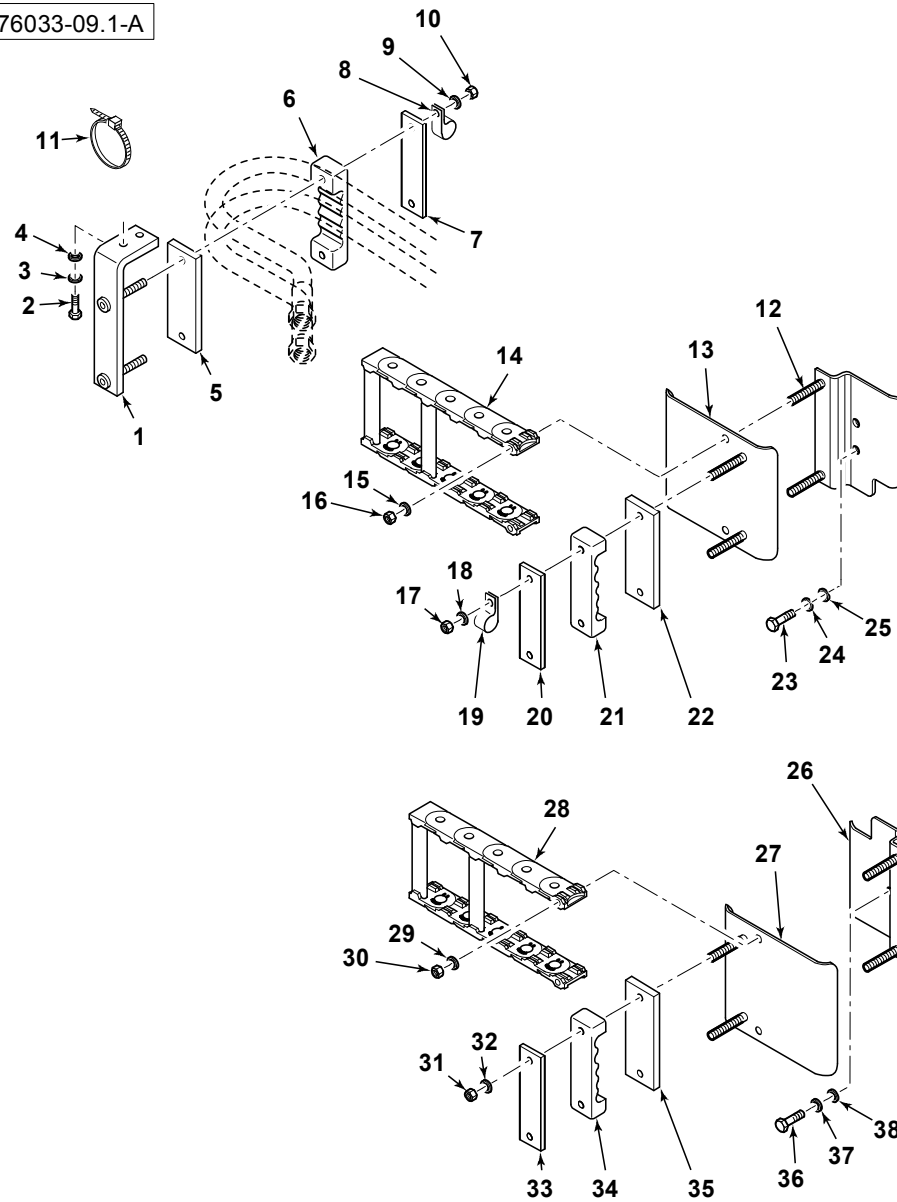
C-76033-08.1-A





Item	Part No.	Qty.	English	French	German	Spanish	Remarks
1	358761X91	1	Elbow 90 Deg	Coude, 90	Kniestück, 90	Codo, 90°	
2	#ELBOW	1	Elbow	Elbow	Elbow	Elbow	Ref. 1
3	831496M1	1	O-Ring	Joint Torique	O-Ring	Junta De Tipo O	
4	3521882M94	1	Hose-Clamp Elbow/Tee	Flexible Ass.	Schlauch Kplt	Flexible, Conj.	
5	358827X91	1	Tee 1/2 Sae 1/2 Jic	Te	T-Stück	Te	
6	#TEE	1	Tee	Tee	Tee	Tee	Ref. 5
7	831496M1	1	O-Ring	Joint Torique	O-Ring	Junta De Tipo O	
8	3521878M93	1	Hose Sleeved	Flexible Ass.	Schlauch Kplt	Flexible, Conj.	
9	356558X1	1	Tee 7/16 Male	Te	T-Stück	Te	
10	6110207M91	1	Hose Assembly - Clamp	Ensemble De Flexible	Schlauch Kpl.	Flexible, Conj.	
11	3521878M93	1	Hose Sleeved	Flexible Ass.	Schlauch Kplt	Flexible, Conj.	
12	358827X91	1	Tee 1/2 Sae 1/2 Jic	Te	T-Stück	Te	
13	#TEE	1	Tee	Tee	Tee	Tee	Ref. 12
14	831496M1	1	O-Ring	Joint Torique	O-Ring	Junta De Tipo O	
15	3521882M94	1	Hose-Clamp Elbow/Tee	Flexible Ass.	Schlauch Kplt	Flexible, Conj.	
16	358761X91	1	Elbow 90 Deg	Coude, 90	Kniestück, 90	Codo, 90°	
17	#ELBOW	1	Elbow	Elbow	Elbow	Elbow	Ref. 16
18	831496M1	1	O-Ring	Joint Torique	O-Ring	Junta De Tipo O	

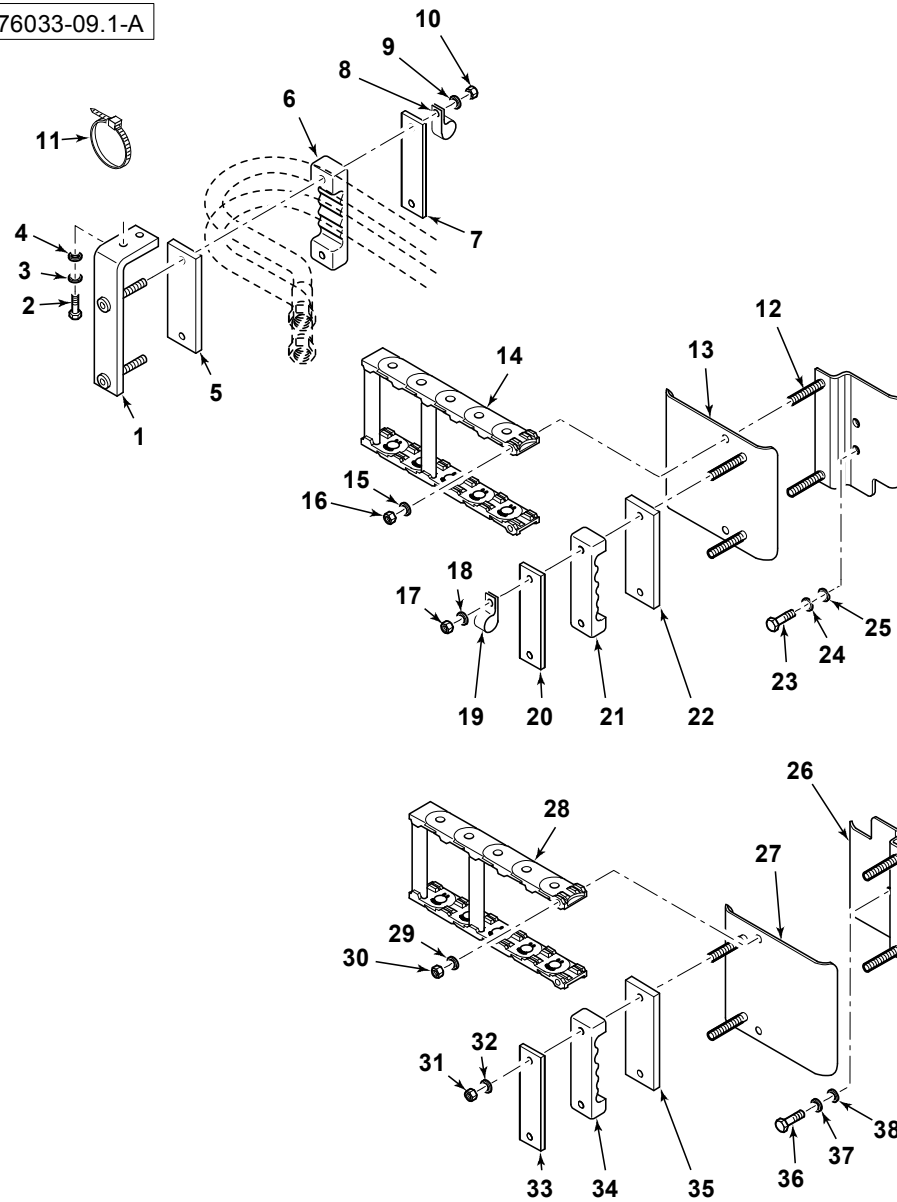
C-76033-09.1-A



Item	Part No.	Qty.	English	French	German	Spanish	Remarks
1	6107934M91	2	Bracket-Clamp	Patte Fixation	Halter	Brida De Fijación	
2	339761X1	4	Bolt M8-25 Z5f	Goupille	Bolzen M8 X 25	Tornillo	
3	390972X1	4	Washer M8-17-1 Zwl	Rondelle M8	Scheibe - M8	Arandela	
4	339374X1	4	Washer M8 -21-2 Z	Rondelle Frein - M8	Federring - M8	Arandela De Freno	
5	6102197M1	2	Pad-Neoprene	Plaque De Caoutchouc	Gummiplatte	Placa, Caucho	
6	6101859M1	1	Clamp-Rh Hose	Collier De Serrage	Schlauchbinder	Argolla De Cierre	
6	6101216M1	1	Clamp-Lh Hose	Collier De Serrage	Schlauchbinder	Argolla De Cierre	
7	6101215M1	2	Plate - Clamp	Plaque	Platte	Placa	
8	515-22159	1	Clip-Coated P	Collier De Serrage	Klemme	Argolla De Fijación	
9	390972X1	4	Washer M8-17-1 Zwl	Rondelle M8	Scheibe - M8	Arandela	
10	394367X1	4	Nut, Hex. - Nyloc, M8	Ecrou Blocage M8	Flachmutter - M8	Tuerca De Retención	
11	1862425M1	1	Tie 385mm T50I	Attache Cable	Kabelbinder	Enlace De Cable	
12	6102307M91	1	Bracket-Rh-W/Assy	Patte Fixation	Halter	Brida De Fijación	
13	6101424M91	1	Plate, Support - Digger Hoses	Ensemble De Plaque	Platte Kpl.	Placa, Conj.	
14	6102199M92	1	Hose Guide - Plastic Chain	Chaîne	Kette	Cadena	
15	390971X1	2	Washer M6-12-1 Zwl	Rondelle - M6	Scheibe - M6	Arandela	
16	1441500X1	2	Nut M6 Z5 Nyloc	Ecrou	Flachmutter M6	Tuerca De Retención	
17	394367X1	2	Nut, Hex. - Nyloc, M8	Ecrou Blocage M8	Flachmutter - M8	Tuerca De Retención	
18	390972X1	2	Washer M8-17-1 Zwl	Rondelle M8	Scheibe - M8	Arandela	
19	515-22159	1	Clip-Coated P	Collier De Serrage	Klemme	Argolla De Fijación	
20	6101215M1	1	Plate - Clamp	Plaque	Platte	Placa	
21	6101859M1	1	Clamp-Rh Hose	Collier De Serrage	Schlauchbinder	Argolla De Cierre	
22	6102197M1	1	Pad-Neoprene	Plaque De Caoutchouc	Gummiplatte	Placa, Caucho	
23	3009492X1	2	Bolt - Hex. M10 X 25	Boulon M10 X 25	Schraube M10 X 25	Tornillo	
24	339376X1	2	Washer M10-18-2 Zsp	Rondelle Frein	Federring	Arandela De Freno	
25	390734X1	2	Washer M10-21-2 Z	Rondelle - M10	Unterlegscheibe	Arandela	
26	6102308M91	1	Bracket-Lh-W/Assy	Patte Fixation	Halter	Brida De Fijación	
27	6101424M91	1	Plate, Support - Digger Hoses	Ensemble De Plaque	Platte Kpl.	Placa, Conj.	
28	6102199M92	1	Hose Guide - Plastic Chain	Chaîne	Kette	Cadena	
29	390971X1	2	Washer M6-12-1 Zwl	Rondelle - M6	Scheibe - M6	Arandela	

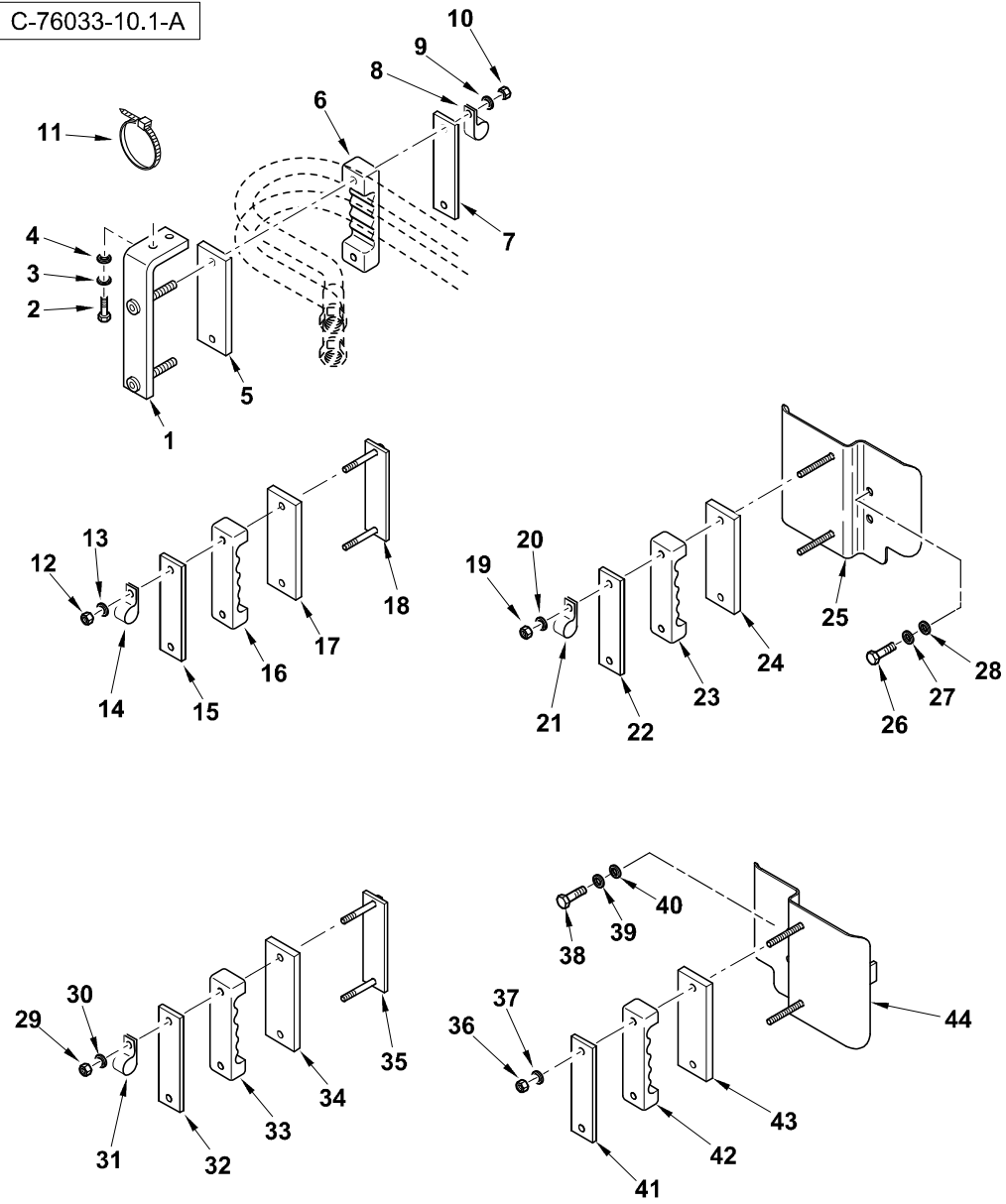


C-76033-09.1-A



Item	Part No.	Qty.	English	French	German	Spanish	Remarks
30	1441500X1	2	Nut M6 Z5 Nyloc	Ecrou	Flachmutter M6	Tuerca De Retención	
31	394367X1	2	Nut, Hex. - Nyloc, M8	Ecrou Blocage M8	Flachmutter - M8	Tuerca De Retención	
32	390972X1	2	Washer M8-17-1 Zwl	Rondelle M8	Scheibe - M8	Arandela	
33	6101215M1	1	Plate - Clamp	Plaque	Platte	Placa	
34	6101216M1	1	Clamp-Lh Hose	Collier De Serrage	Schlauchbinder	Argolla De Cierre	
35	6102197M1	1	Pad-Neoprene	Plaque De Caoutchouc	Gummiplatte	Placa, Caucho	
36	3009492X1	2	Bolt - Hex. M10 X 25	Boulon M10 X 25	Schraube M10 X 25	Tornillo	
37	339376X1	2	Washer M10-18-2 Zsp	Rondelle Frein	Federring	Arandela De Freno	
38	390734X1	2	Washer M10-21-2 Z	Rondelle - M10	Unterlegscheibe	Arandela	

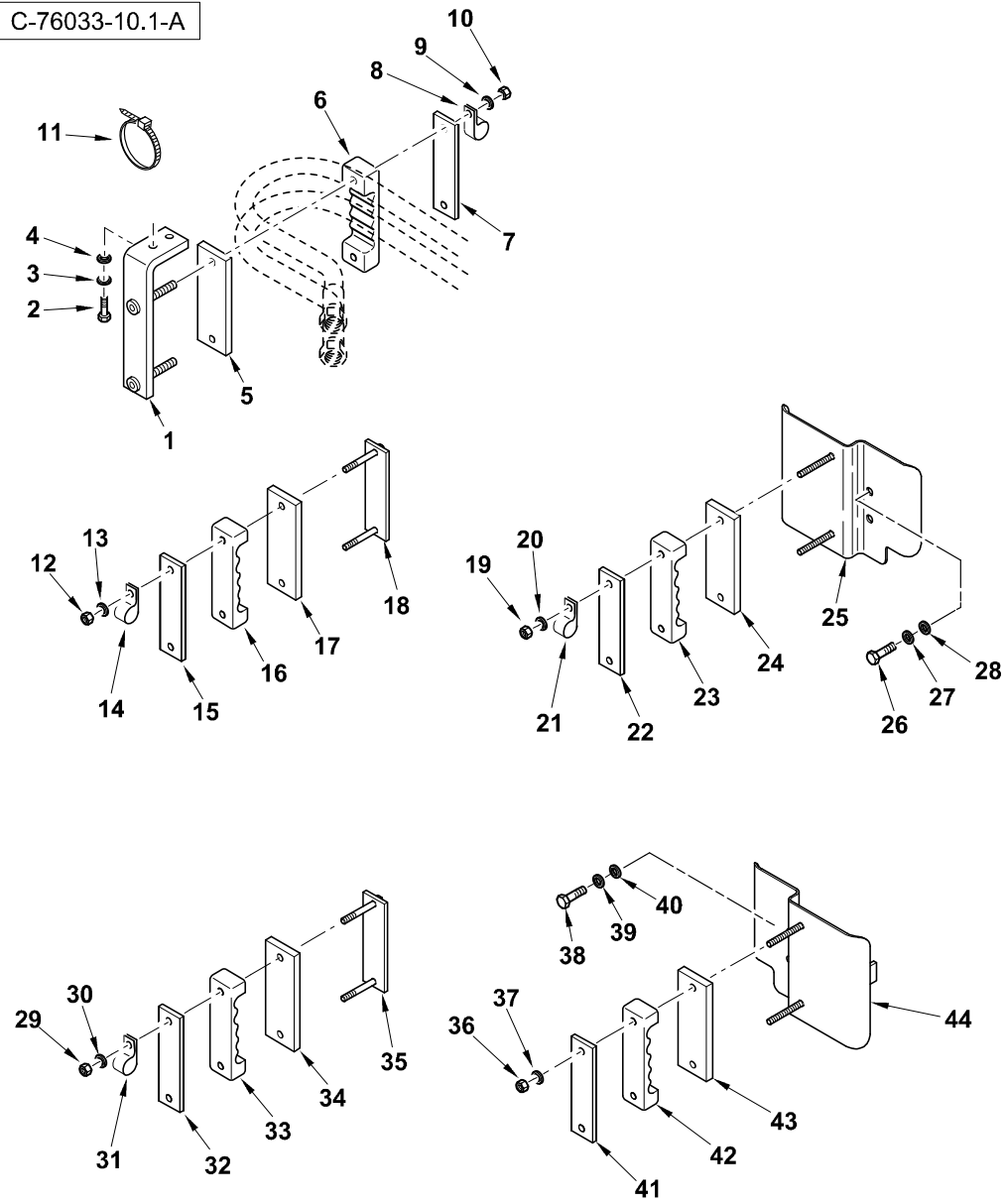
C-76033-10.1-A



Item	Part No.	Qty.	English	French	German	Spanish	Remarks
1	6107934M91	2	Bracket-Clamp	Patte Fixation	Halter	Brida De Fijación	
2	339761X1	4	Bolt M8-25 Z5f	Goupille	Bolzen M8 X 25	Tornillo	
3	390972X1	4	Washer M8-17-1 Zwl	Rondelle M8	Scheibe - M8	Arandela	
4	339374X1	4	Washer M8 -21-2 Z	Rondelle Frein - M8	Federring - M8	Arandela De Freno	
5	6102197M1	2	Pad-Neoprene	Plaque De Caoutchouc	Gummiplatte	Placa, Caucho	
6	6101859M1	1	Clamp-Rh Hose	Collier De Serrage	Schlauchbinder	Argolla De Cierre	
6	6101216M1	1	Clamp-Lh Hose	Collier De Serrage	Schlauchbinder	Argolla De Cierre	
7	6101215M1	2	Plate - Clamp	Plaque	Platte	Placa	
8	515-22159	1	Clip-Coated P	Collier De Serrage	Klemme	Argolla De Fijación	
9	390972X1	4	Washer M8-17-1 Zwl	Rondelle M8	Scheibe - M8	Arandela	
10	394367X1	4	Nut, Hex. - Nyloc, M8	Ecrou Blocage M8	Flachmutter - M8	Tuerca De Retención	
11	1862425M1	1	Tie 385mm T50I	Attache Cable	Kabelbinder	Enlace De Cable	
12	394367X1	2	Nut, Hex. - Nyloc, M8	Ecrou Blocage M8	Flachmutter - M8	Tuerca De Retención	
13	390972X1	2	Washer M8-17-1 Zwl	Rondelle M8	Scheibe - M8	Arandela	
14	515-22159	1	Clip-Coated P	Collier De Serrage	Klemme	Argolla De Fijación	
15	6101215M1	1	Plate - Clamp	Plaque	Platte	Placa	
16	6101859M1	1	Clamp-Rh Hose	Collier De Serrage	Schlauchbinder	Argolla De Cierre	
17	6102197M1	1	Pad-Neoprene	Plaque De Caoutchouc	Gummiplatte	Placa, Caucho	
18	6111437M91	1	Clamp - Hose Plate Assy.	Collier	Halteschelle	Placa, Conj.	
19	394367X1	2	Nut, Hex. - Nyloc, M8	Ecrou Blocage M8	Flachmutter - M8	Tuerca De Retención	
20	390972X1	2	Washer M8-17-1 Zwl	Rondelle M8	Scheibe - M8	Arandela	
21	515-22159	1	Clip-Coated P	Collier De Serrage	Klemme	Argolla De Fijación	
22	6101215M1	1	Plate - Clamp	Plaque	Platte	Placa	
23	6101859M1	1	Clamp-Rh Hose	Collier De Serrage	Schlauchbinder	Argolla De Cierre	
24	6102197M1	1	Pad-Neoprene	Plaque De Caoutchouc	Gummiplatte	Placa, Caucho	
25	6111548M91	1	Bracket- Hose Clamp RH W/A	Support Fixation	Haltearm	Cuchara, Conj.	
26	3009492X1	2	Bolt - Hex. M10 X 25	Boulon M10 X 25	Schraube M10 X 25	Tornillo	
27	339376X1	2	Washer M10-18-2 Zsp	Rondelle Frein	Federring	Arandela De Freno	
28	390734X1	2	Washer M10-21-2 Z	Rondelle - M10	Unterlegscheibe	Arandela	
29	394367X1	2	Nut, Hex. - Nyloc, M8	Ecrou Blocage M8	Flachmutter - M8	Tuerca De Retención	



C-76033-10.1-A

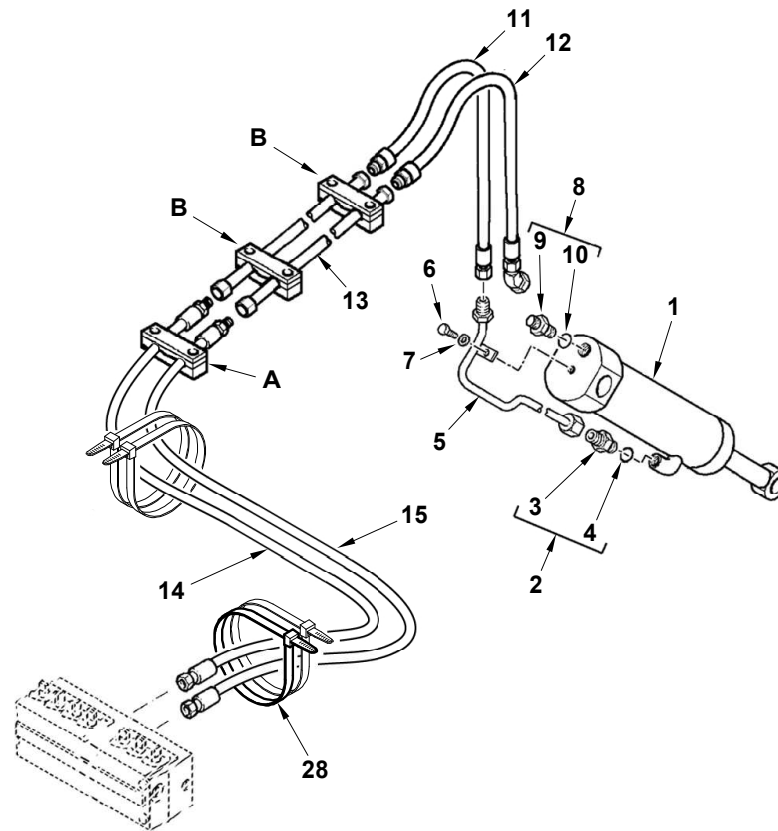
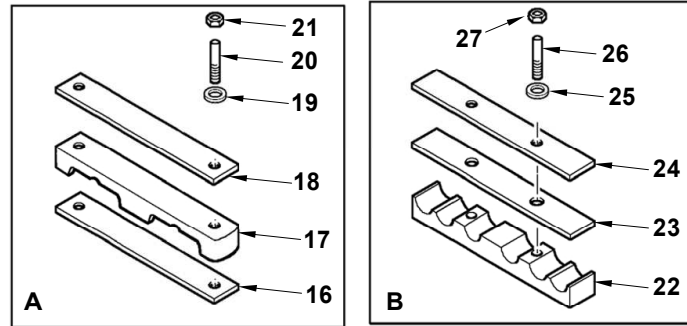




Item	Part No.	Qty.	English	French	German	Spanish	Remarks
30	390972X1	2	Washer M8-17-1 Zwl	Rondelle M8	Scheibe - M8	Arandela	
31	515-22159	1	Clip-Coated P	Collier De Serrage	Klemme	Argolla De Fijación	
32	6101215M1	1	Plate - Clamp	Plaque	Platte	Placa	
33	6101216M1	1	Clamp-Lh Hose	Collier De Serrage	Schlauchbinder	Argolla De Cierre	
34	6102197M1	1	Pad-Neoprene	Plaque De Caoutchouc	Gummiplatte	Placa, Caucho	
35	6111437M91	1	Clamp - Hose Plate Assy.	Collier	Halteschelle	Placa, Conj.	
36	394367X1	2	Nut, Hex. - Nyloc, M8	Ecrou Blocage M8	Flachmutter - M8	Tuerca De Retención	
37	390972X1	2	Washer M8-17-1 Zwl	Rondelle M8	Scheibe - M8	Arandela	
38	3009492X1	2	Bolt - Hex. M10 X 25	Boulon M10 X 25	Schraube M10 X 25	Tornillo	
39	339376X1	2	Washer M10-18-2 Zsp	Rondelle Frein	Federring	Arandela De Freno	
40	390734X1	2	Washer M10-21-2 Z	Rondelle - M10	Unterlegscheibe	Arandela	
41	6101215M1	1	Plate - Clamp	Plaque	Platte	Placa	
42	6101216M1	1	Clamp-Lh Hose	Collier De Serrage	Schlauchbinder	Argolla De Cierre	
43	6102197M1	1	Pad-Neoprene	Plaque De Caoutchouc	Gummiplatte	Placa, Caucho	
44	6111551M91	1	Bracket- Hose Clamp LH W/A	Support Fixation	Haltearm	Cuchara, Conj.	



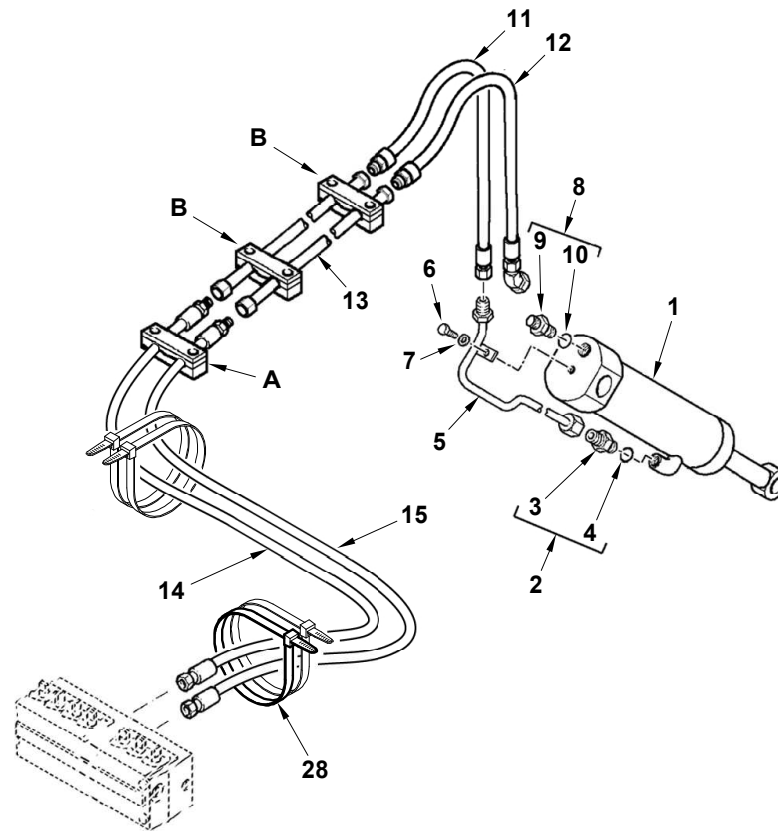
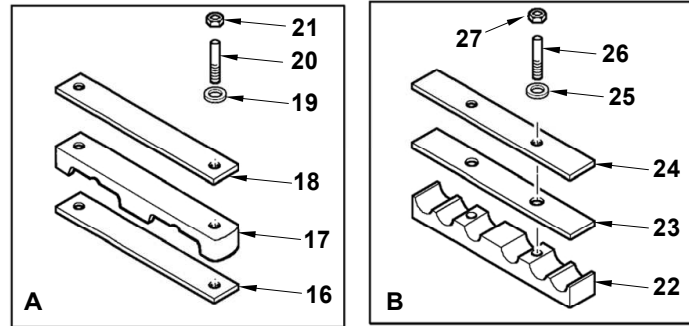
C-76036-01.1-B



Item	Part No.	Qty.	English	French	German	Spanish	Remarks
1	#CYLINDER ASSY	1	Cylinder Assy	Cylinder Assy	Cylinder Assy	Cylinder Assy	76036c02.1 1 76036c02.2 1
2	835013M91	1	Connector 7/8 Jic	Raccord	Schraubanschluss	Conexión, Conj.	
3	#UNION	1	Union	Union	Union	Union	Ref. 2
4	835024M1	1	Ring O - Boa	Joint Torique	O Ring	Junta De Tipo O	
5	6101540M91	1	Tube Assy Bucket	Tuyauterie	Rohrleitung Kplt	Conjunto De Tubería	Tba Pacoma
5	6111161M91	1	Tube Assembly - Digger Bucket Cylinder	Tuyauterie	Rohrleitung Kplt	Conjunto De Tubería	Tba Wipro
6	339123X1	1	Bolt M8-20 Z5f	Boulon M8 X 20	Maschschraube M8	Perno	
7	385361X1	1	Washer M8 Hardened	Rondelle M8	Scheibe M8	Arandela	
8	835013M91	1	Connector 7/8 Jic	Raccord	Schraubanschluss	Conexión, Conj.	
9	#UNION	1	Union	Union	Union	Union	Ref. 8
10	835024M1	1	Ring O - Boa	Joint Torique	O Ring	Junta De Tipo O	
11	6102309M91	1	Hose-Bucket Rod-Std	Flexible Ass.	Schlauch Kplt	Flexible, Conj.	Brown
12	6107024M91	1	Hose-Bucket HD Std	Flexible Ass.	Schlauch Kplt	Flexible, Conj.	White
13	6111137M91	2	Tube Assy - Bkt 4.5m Boom	Ensemble Tube	Rohr Kpl	Conjunto De Tubería	Ec05/328
13	6101771M91	2	Tube-Bucket-4.5m Boom	Tuyauterie	Rohrleitung Kplt	Conjunto De Tubería	Ec05/328
14	6108762M91	1	Hose-Ss Bucket Rod	Flexible Ass.	Schlauch Kplt	Flexible, Conj.	Brown Ec05/328
14	6111141M91	1	Hose Assy - Bucket Rod (Brown S/Shift)	Ensemble Durit	Schlauch Kpl	Flexible, Conj.	Brown Ec05/328
15	6108763M91	1	Hose-Ss Bucket HD	Flexible Ass.	Schlauch Kplt	Flexible, Conj.	White Ec05/328
15	6111142M91	1	Hose Assy - Bucket HD (White S/Shift)	Ensemble Durit	Schlauch Kpl	Flexible, Conj.	White Ec05/328
16	6102128M1	1	Pad-Neoprene	Plaque Antidérapante	Zwischenlage	Cinta Antideslizante	
17	6102122M1	1	Clamp	Collier De Serrage	Klemme	Brida De Fijación	
18	6102130M1	1	Plate-Clamp	Plaque	Platte	Placa	
19	390972X1	2	Washer M8-17-1 Zwl	Rondelle M8	Scheibe - M8	Arandela	
20	3516075M1	2	Stud M8-65 Z5	Goujon	Stehbolzen	Espárrago	
21	394367X1	2	Nut, Hex. - Nyloc, M8	Ecrou Blocage M8	Flachmutter - M8	Tuerca De Retención	
22	6102126M1	2	Clamp	Collier De Serrage	Klemme	Brida De Fijación	
23	6102145M1	2	Pad-Neoprene	Plaque Antidérapante	Zwischenlage	Cinta Antideslizante	
24	6102124M1	2	Plate-Top	Plaque	Platte	Placa	
25	390972X1	4	Washer M8-17-1 Zwl	Rondelle M8	Scheibe - M8	Arandela	
26	6108049M1	4	Stud M8	Goujon	Stehbolzen	Espárrago	

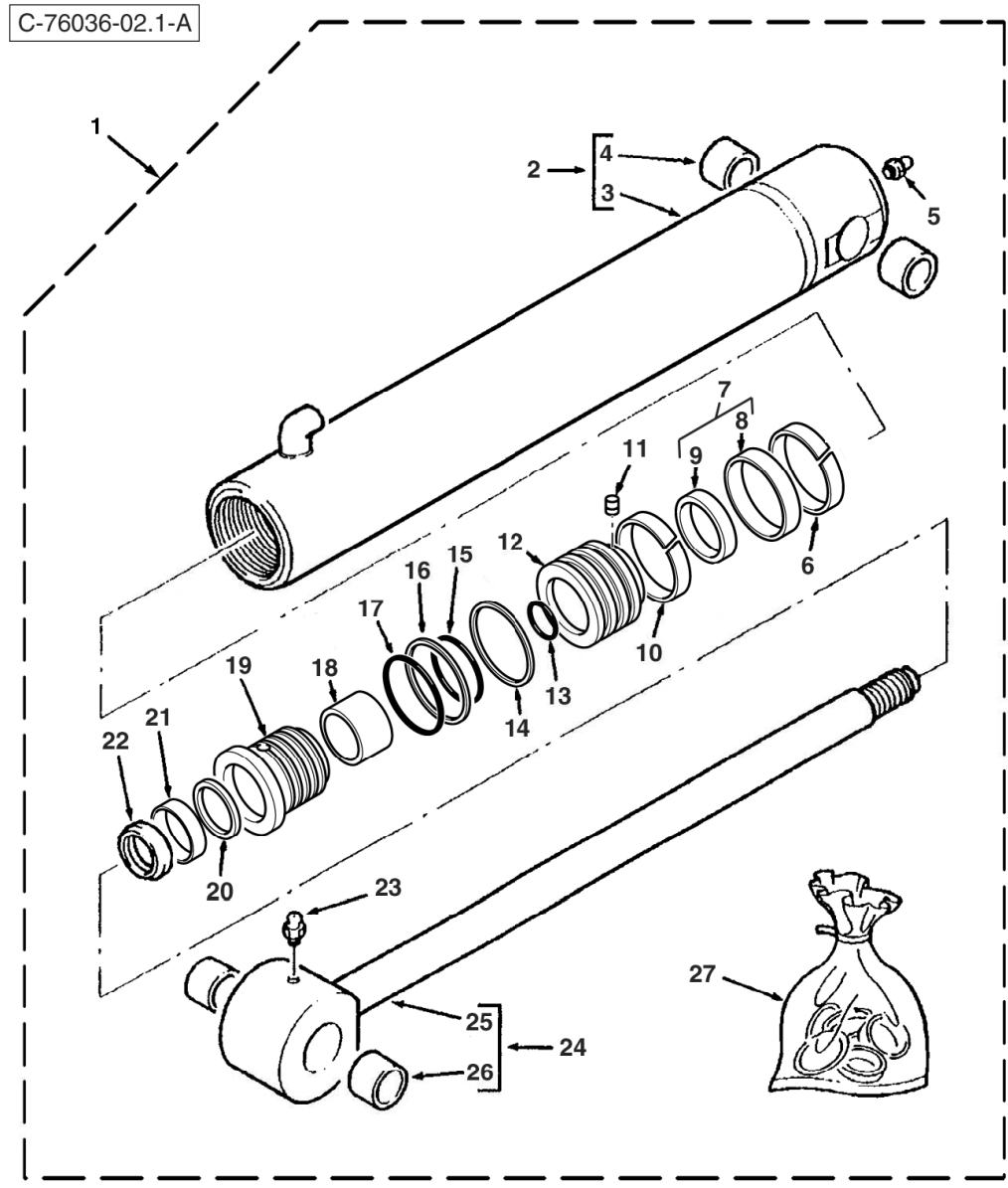


C-76036-01.1-B



<b>Item</b>	<b>Part No.</b>	<b>Qty.</b>	<b>English</b>	<b>French</b>	<b>German</b>	<b>Spanish</b>	<b>Remarks</b>
27	394367X1	4	Nut, Hex. - Nyloc, M8	Ecrou Blocage M8	Flachmutter - M8	Tuerca De Retención	
28	8000-1379	4	Tie Wrap ( 530 X 13mm )	Bride	Buegel	Banda	

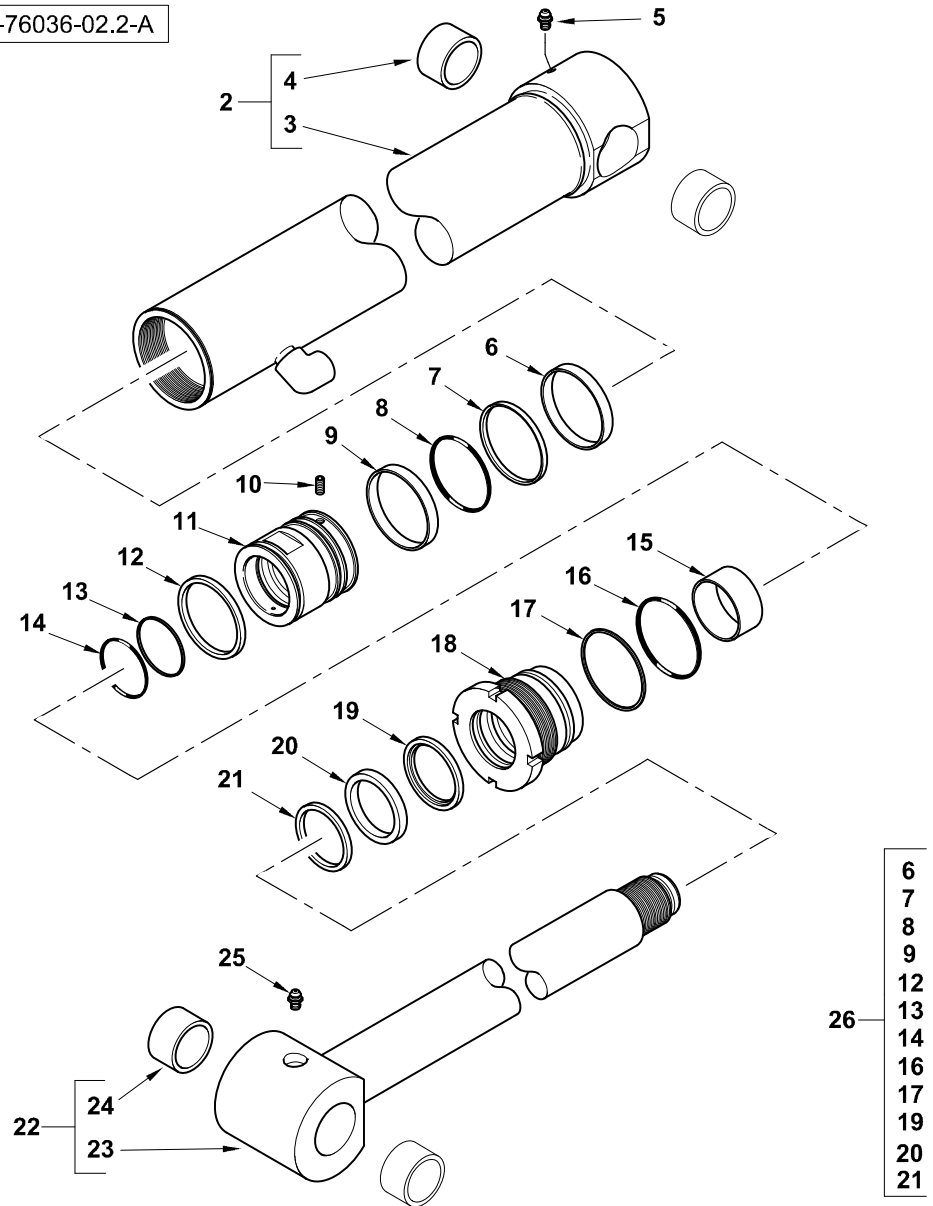




Item	Part No.	Qty.	English	French	German	Spanish	Remarks
1	5000126M91GY02	1	Cylinder Digger Bucket (Benford Grey)	L´Hie Hydraulique	Zylinder Hydr.	Gato, Conj.	Tba [76036c01.1 1]
2	5004008M91	1	Barrel Assy	Cylindre	Zylinder	Cilindro	
3	#TUBE, CYLINDER	1	Tube, Cylinder	Tube, Cylinder	Tube, Cylinder	Tube, Cylinder	Ref. 2
4	#BUSHING	1	Bushing	Douille	Busche	Boccola	
5	339608X1	1	Grease Nipple - M10 X 1 (Zinc)	Nipple De Graissage	Schmiernippel	Engrasador	
6	3485892M1	1	Guide Ring Piston	Bague D´Étanchéité	Dichtungsring	Anillo, Estanqueidad	
7	3485245M91	1	Seal Assy Piston	Joint Ass.	Dichtung Kplt	Junta, Conj.	
8	#SEAL	1	Seal	Joint Étanchéité	Dichtring	Retén	Ref. 7
9	#RING	1	Ring	Anneau	Ring	Aro	Ref. 7
10	3485892M1	1	Guide Ring Piston	Bague D´Étanchéité	Dichtungsring	Anillo, Estanqueidad	
11	3402928M1	1	Screw, Socket Head - Piston Locating	Vis Tête Hex	Zylinderschraube	Tornillo	
12	3623372M1	1	Piston	Piston	Kolben	Pistón	
13	359186X1	1	O-Ring	Joint Torique	O-Ring	Junta De Tipo O	
14	3623061M1	1	Ring Piston	Segment De Piston	Kolbenring	Segmento De Pistón	
15	359193X1	1	O-Ring	Joint Torique	O-Ring	Junta De Tipo O	
16	1606735M1	1	Ring Back-Up	Contre Bague	Stützring	ContraJunta	
17	3487207M1	1	O-Ring	Joint Torique	O-Ring	Junta De Tipo O	
18	3484615M1	1	Guide Ring	Anneau	Ring	Aro	
19	3623371M1	1	Gland - Bucket Cylinder	Presse Étoupe	Stopfbuchse	Cojinete	
20	3484055M1	1	Ring Buffer	Anneau	Ring	Aro	
21	3485185M1	1	Seal	Joint D´Arbre	Wellendichtring	Junta	
22	3487015M1	1	Wiper Ring	Anneau	Ring	Aro	
23	339608X1	1	Grease Nipple - M10 X 1 (Zinc)	Nipple De Graissage	Schmiernippel	Engrasador	
24	5004012M91	1	Piston Rod Assy - Nla	Tige De Vérin	Kolbenstange	Vástago Cilindro	
25	#ROD, PISTON	1	Rod, Piston	Rod, Piston	Rod, Piston	Rod, Piston	Ref. 24
26	#BUSHING	1	Bushing	Douille	Busche	Boccola	
27	3623373M91	1	Kit Seal	Jeu Etancheite	Dichtringsatz	Juego De Juntas	



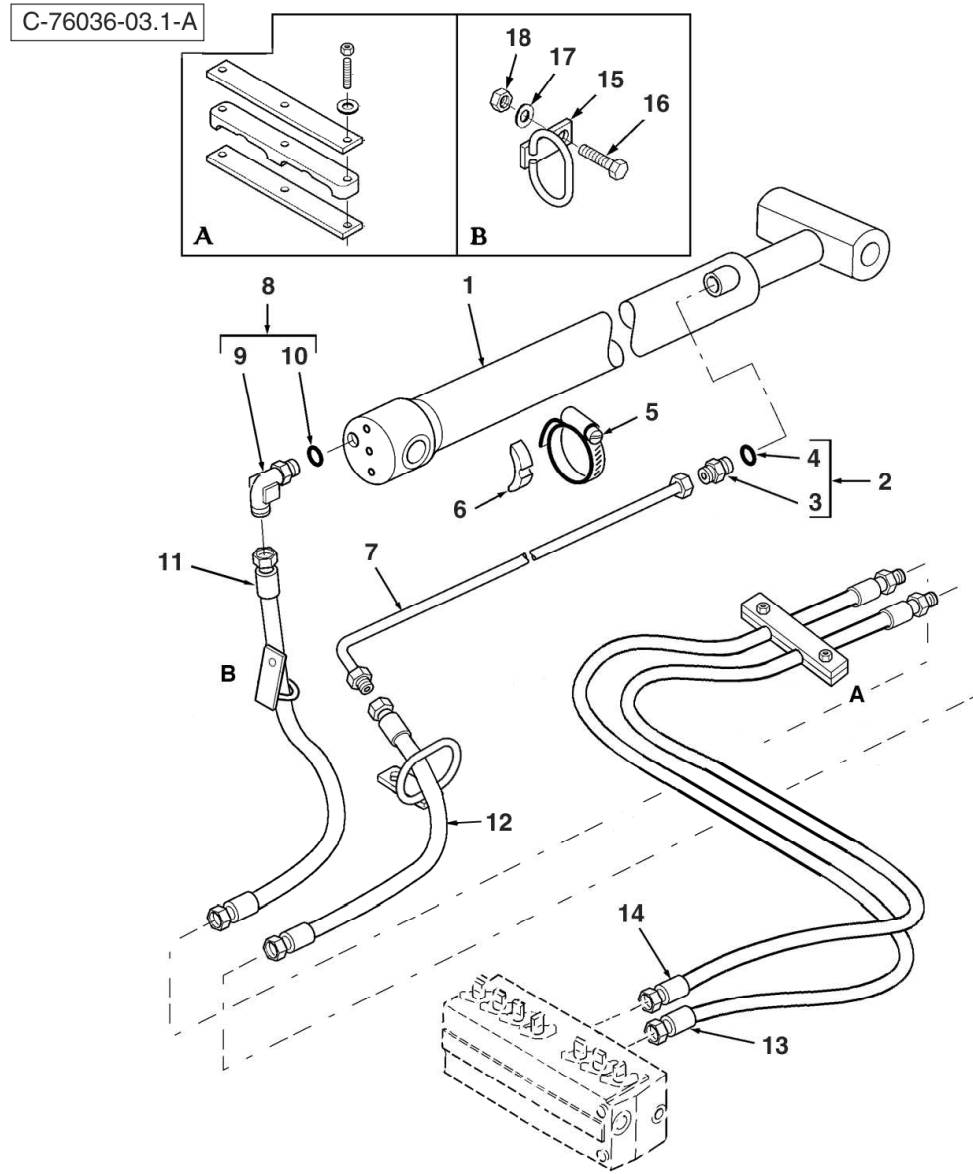
C-76036-02.2-A





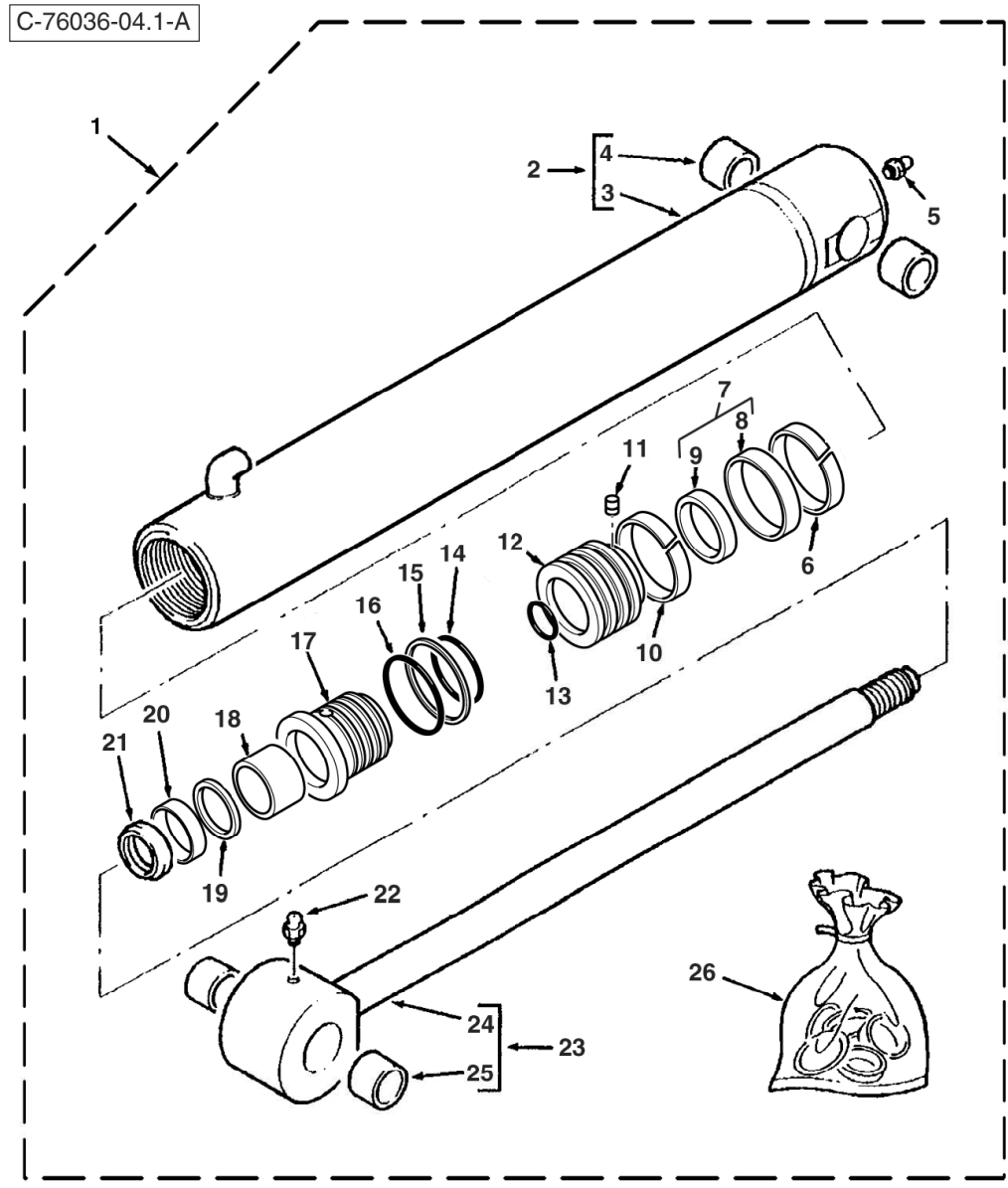
Item	Part No.	Qty.	English	French	German	Spanish	Remarks
1	6111070M91GY03	1	Cylinder- Digger Bucket	Cylindre	Zylinder	Gato, Conj.	Tba [76036c01.1 1]
2	6194629M91	1	Barrel - Cylinder	Corps Cylindre	Zylindergehäuse	Tubo	
3	#TUBE	1	Tube	Tube	Tube	Tube	Ref. 2
4	6194562M1	2	Bush	Douille	Büchse	Casquillo	
5	6194542M1	1	Nipple - Grease	Graisseur Coude	Nippel	Manguito, Engrasador	
6	6194634M1	1	Bearing - Piston	Coussinet	Lager	Teniendo - Pistón	
7	6194635M1	1	Seal - Piston	Joint Étanchéité	Dichtring	Junta	
8	6194636M1	1	O Ring (Std)	Joint Torique	O Ring	Junta De Tipo O	
9	6194634M1	1	Bearing - Piston	Coussinet	Lager	Teniendo - Pistón	
10	6194633M1	1	Set Screw - Hex Socket	Vis Tete Hex	Zylinderschraube	Tornillo De Ajuste	
11	6194631M1	1	Piston	Piston	Kolben	Pistón	
12	6194637M1	1	Ring - Piston	Segment Piston	Kolbenring	Segmento De Pistón	
13	6194625M1	1	Ring - Back Up	Contre Bague	Stutzring	ContraJunta	
14	6194624M1	1	O Ring (Std)	Joint Torique	O Ring	Junta De Tipo O	
15	6194541M1	1	Bush - Bimetal	Douille	Büchse	Juego De Anillos	
16	6194640M1	1	O Ring (Std)	Joint Torique	O Ring	Junta De Tipo O	
17	6194641M1	1	Ring - Back Up	Contre Bague	Stutzring	ContraJunta	
18	6194632M1	1	End Cover - Head	Couvercle	Deckel	Tapa	
19	6194638M1	1	Seal - Rod (Primary)	Joint Étanchéité	Dichtring	Junta	
20	6194639M1	1	Seal- Rod (Secondary)	Joint Étanchéité	Dichtring	Junta	
21	6194554M1	1	Wiper	Essuyeur	Wischer	Raspador, Escobilla	
22	6194630M91	1	Rod - Piston	Bielle De Piston	Pleuelstange	Rod - Pistón	
23	#ROD	1	Rod	Rod	Rod	Rod	Ref. 22
24	6194562M1	2	Bush	Douille	Büchse	Casquillo	
25	6194542M1	1	Nipple - Grease	Graisseur Coude	Nippel	Manguito, Engrasador	
26	6194642M91	0	Seal Kit	Jeu Etancheite	Dichtringsatz	Juego De Juntas	





Item	Part No.	Qty.	English	French	German	Spanish	Remarks
1	#CYLINDER ASSY	1	Cylinder Assy	Cylinder Assy	Cylinder Assy	Cylinder Assy	76036c04.1 1 76036c04.2 1
2	835013M91	1	Connector 7/8 Jic	Raccord	Schraubanschluss	Conexión, Conj.	
3	#UNION	1	Union	Union	Union	Union	Ref. 2
4	835024M1	1	Ring O - Boa	Joint Torique	O Ring	Junta De Tipo O	
5	3517733M1	1	Clamp Hose 130-150	Collier De Serrage	Schlauchbinder	Argolla De Cierre	
6	D142787	1	Saddle (See 142787d)	Selle	Sattel	Bloque De Caucho	
7	#TUBE ASSY	1	Tube Assy	Tube Assy	Tube Assy	Tube Assy	
8	#ELBOW	1	Elbow	Elbow	Elbow	Elbow	
9	#ELBOW	1	Elbow	Elbow	Elbow	Elbow	Ref. 8
10	#O-RING	1	O-Ring	Joint Torique	O-Ring	Junta Tórica	
11	6101738M91	1	Hose-Dipper Head	Flexible Ass.	Schlauch Kplt	Flexible, Conj.	Yellow
12	6101737M91	1	Hose-Dipper Rod	Flexible Ass.	Schlauch Kplt	Flexible, Conj.	Red
13	6108767M91	1	Hose-Ss Dipper HD	Flexible Ass.	Schlauch Kplt	Flexible, Conj.	Yellow
14	6108766M91	1	Hose-Ss Dipper Rod	Flexible Ass.	Schlauch Kplt	Flexible, Conj.	Red
15	6101491M92	2	Hose Hoop Assy	Ensemble De Support	Haltevorrichtung Kpl.	Apoyadero, Conj.	
16	339761X1	2	Bolt M8-25 Z5f	Goupille	Bolzen M8 X 25	Tornillo	
17	390972X1	2	Washer M8-17-1 Zwel	Rondelle M8	Scheibe - M8	Arandela	
18	394367X1	2	Nut, Hex. - Nyloc, M8	Ecrou Blocage M8	Flachmutter - M8	Tuerca De Retención	

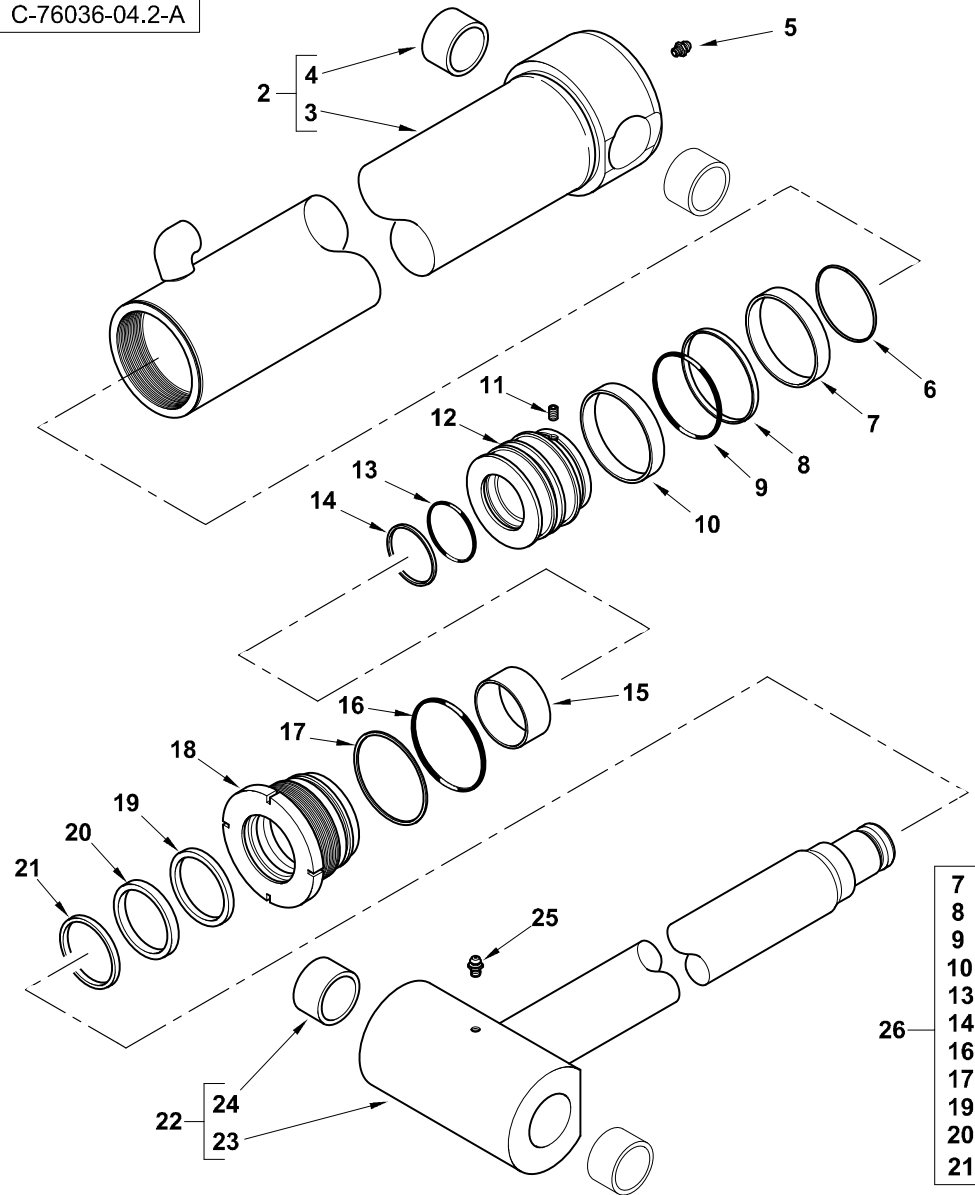




Item	Part No.	Qty.	English	French	German	Spanish	Remarks
1	5000124M91GY02	1	Cylinder Dipperstick (Benford Grey)	L' Hie Hydraulique	Zylinder Hydr.	Gato, Conj.	Tba [76036c03.1 1]
2	5003982M91	1	Barrel Assy. - Dipper Cylinder	Corps Cylindre	Zylindergehäuse	Cilindro	
3	#TUBE, CYLINDER	1	Tube, Cylinder	Tube, Cylindre	Tube, Cylinder	Tube, Cylinder	Ref. 2
4	3484843M1	1	Bush, Hydr. Cylinders	Douille	Buechse	Casquillo	
5	339608X1	1	Grease Nipple - M10 X 1 (Zinc)	Nipple De Graissage	Schmiernippel	Engrasador	
6	3485891M1	1	Guide Ring Piston	Anneau	Ring	Aro	
7	3485247M91	1	Seal Piston	Joint	Dichtung	Junta, Conj.	
8	#SEAL	1	Seal	Joint Étanchéité	Dichtring	Retén	Ref. 7
9	#RING	1	Ring	Anneau	Ring	Aro	Ref. 7
10	3485891M1	1	Guide Ring Piston	Anneau	Ring	Aro	
11	3402928M1	1	Screw, Socket Head - Piston Locating	Vis Tête Hex	Zylinderschraube	Tornillo	
12	5003989M1	1	Piston	Piston	Kolben	Pistón	
13	3007182X1	1	O-Ring	Joint Torique	O-Ring	Junta De Tipo O	
14	359196X1	1	O Ring	Joint Torique	O Ring	Junta De Tipo O	
15	378545X1	1	Ring - Backup	Contre Bague	Stutzring	Aro	
16	3487908M1	1	O Ring, Hydr. Cylinder	Joint Torique	O Ring	Junta De Tipo O	
17	5003988M1	1	Bearing Cylinder	Roulement	Lager	Cojinete	
18	3623193M1	1	Guide Ring	Anneau	Ring	Aro	
19	3443388M1	1	Ring - Back Up	Anneau	Ring	Aro	
20	3443472M1	1	Seal	Joint D' Arbre	Wellendichtring	Junta	
21	3403385M1	1	Wiper Ring	Joint De Racleur	Abstreifdichtung	Junta Raspador	
22	339608X1	1	Grease Nipple - M10 X 1 (Zinc)	Nipple De Graissage	Schmiernippel	Engrasador	
23	5003985M91	1	Piston Rod Assy	Tige De Vérin	Kolbenstange	Vástago Cilindro	
24	#ROD, PISTON	1	Rod, Piston	Rod, Piston	Rod, Piston	Rod, Piston	Ref. 23
25	3484843M1	1	Bush, Hydr. Cylinders	Douille	Buechse	Casquillo	
26	5004401M91	1	Kit Seal	Jeu Étanchéité	Dichtringsatz	Juego De Juntas	



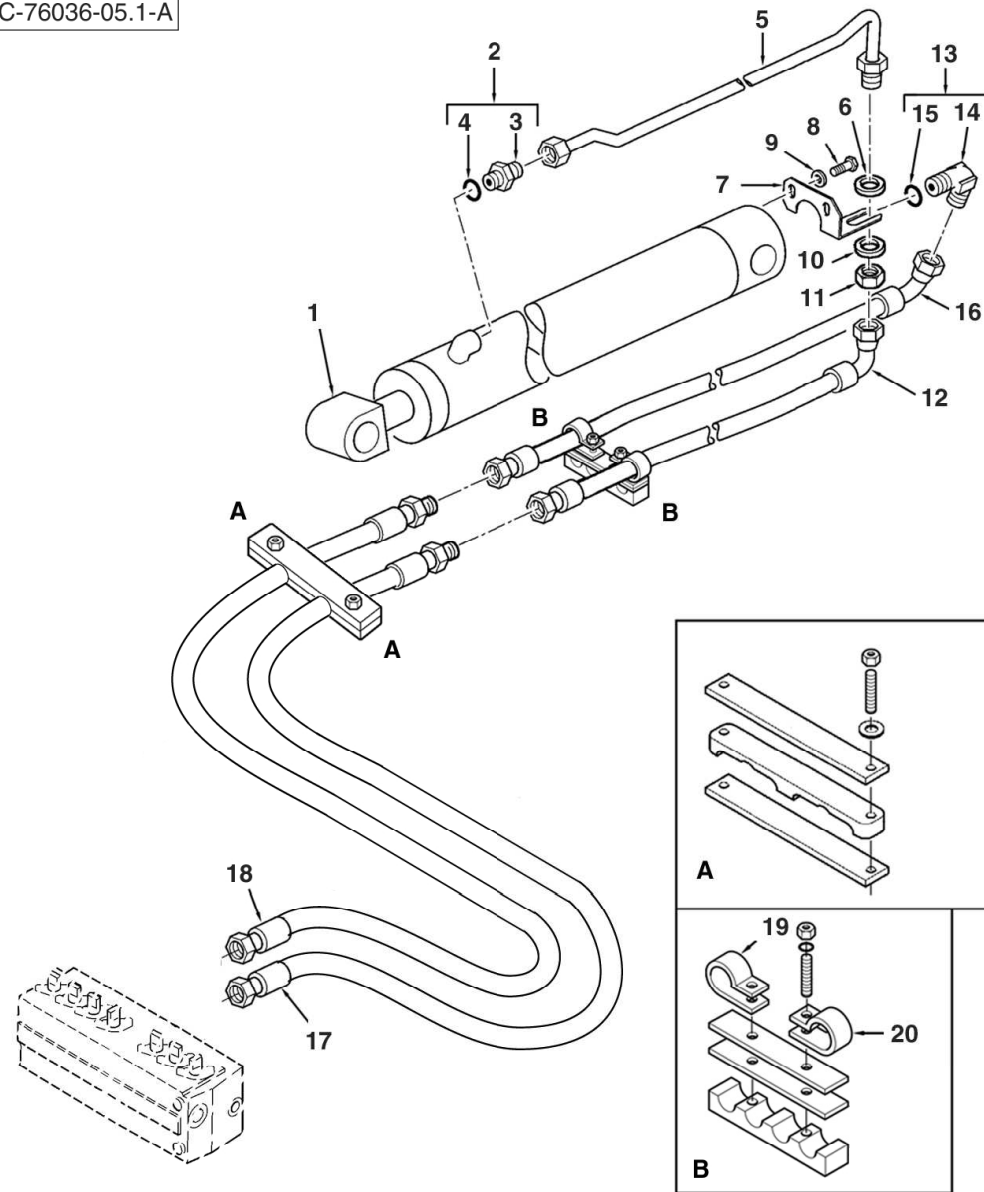
C-76036-04.2-A



Item	Part No.	Qty.	English	French	German	Spanish	Remarks
1	6111069M91GY03	1	Cylinder - Dipperstick	Cylindre	Zylinder	Gato, Conj.	Tba [76036c03.1 1]
2	6194615M91	1	Barrel - Cylinder	Corps Cylindre	Zylindergehäuse	Conjunto De Tubería	
3	#TUBE	1	Tube	Tube	Tube	Tube	Ref. 2
4	6194562M1	2	Bush	Douille	Büchse	Casquillo	
5	6194542M1	1	Nipple - Grease	Graisseur Coude	Nippel	Manguito, Engrasador	
6	6194620M1	1	Ring - Snap	Fermeoir	Sprengring	Anillo De Resorte	
7	6194621M1	1	Bearing - Piston	Coussinet	Lager	Teniendo - Pistón	
8	6194622M1	1	Seal - Piston	Joint Étanchéité	Dichtring	Junta	
9	6194623M1	1	O Ring (Std)	Joint Torique	O Ring	Junta De Tipo O	
10	6194621M1	1	Bearing - Piston	Coussinet	Lager	Teniendo - Pistón	
11	6194619M1	1	Set Screw	Vis	Schraube	Tornillo De Ajuste	
12	6194617M1	1	Piston	Piston	Kolben	Pistón	
13	6194624M1	1	O Ring (Std)	Joint Torique	O Ring	Junta De Tipo O	
14	6194625M1	1	Ring - Back Up	Contre Bague	Stutzring	ContraJunta	
15	6194565M1	1	Bush - Bimetal	Douille	Büchse	Juego De Anillos	
16	6194626M1	1	O Ring (Std)	Joint Torique	O Ring	Junta De Tipo O	
17	6194627M1	1	Ring - Back Up	Contre Bague	Stutzring	ContraJunta	
18	6194618M1	1	End Cover - Head	Couvercle	Deckel	Tapa	
19	6194575M1	1	Seal - Rod (Primary)	Joint Étanchéité	Dichtring	Junta	
20	6194576M1	1	Seal- Rod (Secondary)	Joint Étanchéité	Dichtring	Junta	
21	6194573M1	1	Wiper	Essuyeur	Wischer	Raspador, Escobilla	
22	6194616M91	1	Rod - Piston	Bielle De Piston	Pleuelstange	Rod - Pistón	
23	#ROD	1	Rod	Rod	Rod	Rod	Ref. 22
24	6194562M1	2	Bush	Douille	Büchse	Casquillo	
25	6194542M1	1	Nipple - Grease	Graisseur Coude	Nippel	Manguito, Engrasador	
26	6194628M91	0	Seal Kit	Jeu Etancheite	Dichtringsatz	Juego De Juntas	



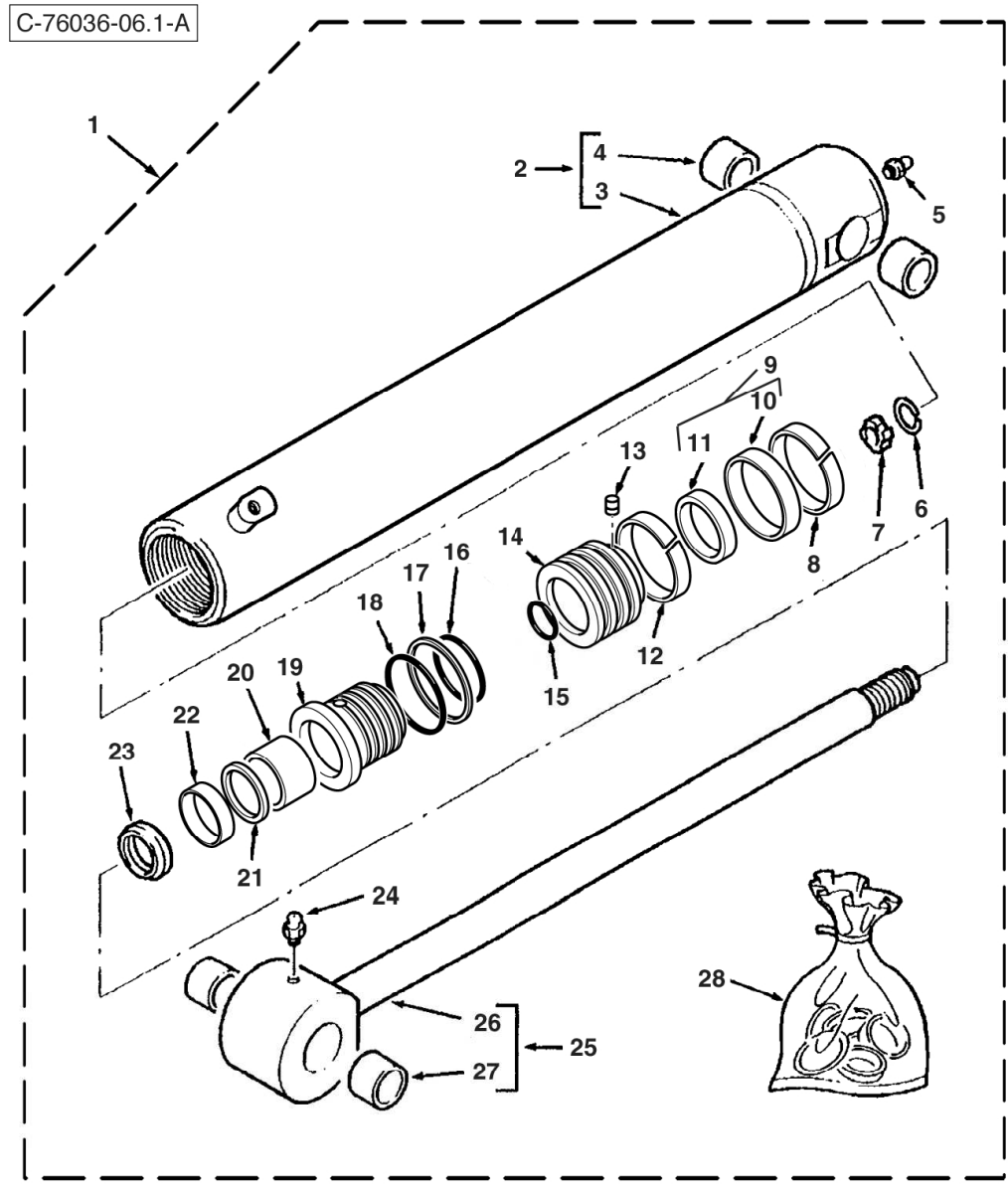
C-76036-05.1-A





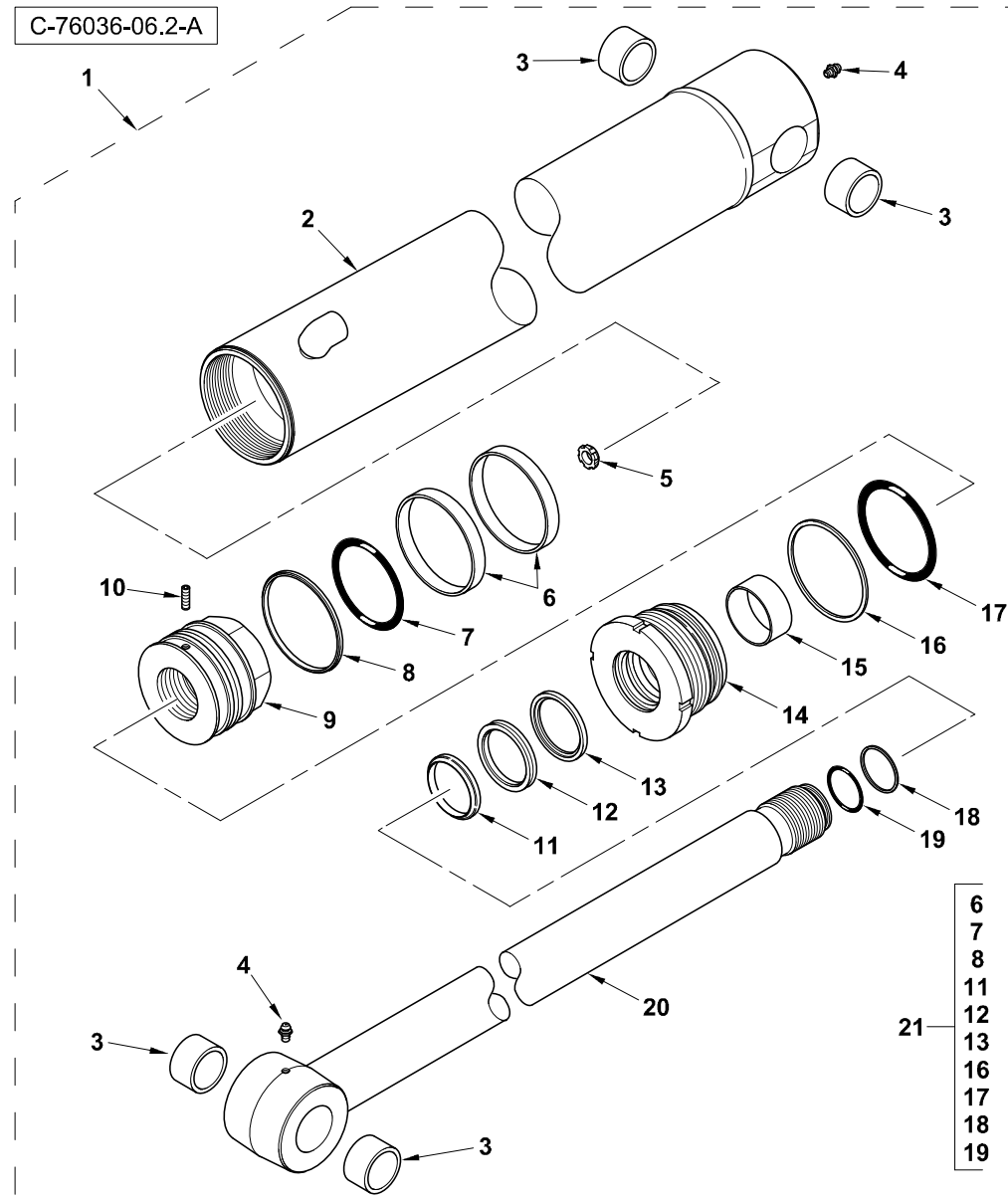
Item	Part No.	Qty.	English	French	German	Spanish	Remarks
1	5000122M91	1	Cylinder 4.5m B00m - Hi Spec	L'Hie Hydraulique	Zylinder Hydr.	Gato, Conj.	Pacoma
1	6111078M91GY03	1	Cylinder Boom 4.5	Cylindre 4.5m	Zylinder 4.5m	Cilindro 4.5m	Wipro
2	835013M91	1	Connector 7/8 Jic	Raccord	Schraubanschluss	Conexión, Conj.	
3	#UNION	1	Union	Union	Union	Union	Ref. 2
4	835024M1	1	Ring O - Boa	Joint Torique	O Ring	Junta De Tipo O	
5	6111165M92	1	Tube Assy - Boom Cyl. 4.5 (Hose Burst)	Tuyauterie	Rohrleitung Kplt	Conjunto De Tubería	Wipro
5	6101956M92	1	Tube Assy - Boom Cyl. 4.5 (Hose Burst)	Tuyauterie	Rohrleitung Kplt	Conjunto De Tubería	Pacoma
6	#WASHER	1	Washer	Rondelle	Unterlegscheibe	Arandela	
7	#BRACKET	1	Bracket	Bracket	Bracket	Bracket	
8	339228X1	2	Bolt, Hex. - M8 X 12 (Coarse)	Boulon M8 X 12	Maschschraube M8	Tornillo	
9	339374X1	2	Washer M8 -21-2 Z	Rondelle Frein - M8	Federring - M8	Arandela De Freno	
10	#WASHER	1	Washer	Rondelle	Unterlegscheibe	Arandela	
11	#NUT	1	Nut	Ecrou	Mutter	Tuerca	
12	#HOSE ASSY	1	Hose Assy	Hose Assy	Hose Assy	Hose Assy	Orange
13	#ELBOW	1	Elbow	Elbow	Elbow	Elbow	
14	#ELBOW	1	Elbow	Elbow	Elbow	Elbow	Ref. 13
15	#O-RING	1	O-Ring	Joint Torique	O-Ring	Junta Tórica	
16	6101736M92	1	Hose, "Blue" - Boom Cylinder Feed	Flexible	Schlauch	Flexible, Conj.	Blue
17	6108761M91	1	Hose-Ss Boom Rod	Flexible Ass.	Schlauch Kplt	Flexible, Conj.	Orange
18	6108760M91	1	Hose-Ss Boom HD	Flexible Ass.	Schlauch Kplt	Flexible, Conj.	Blue
19	515-23270	1	Clip-Coated P	Clip	Klips	Clip	
20	515-23206	1	P Clip Bsr081hs	Bride Pour Tutaux	Schlauchschelle	Abrazadera De Manguera	





Item	Part No.	Qty.	English	French	German	Spanish	Remarks
1	5000122M91	1	Cylinder 4.5m B00m - Hi Spec	L´Hie Hydraulique	Zylinder Hydr.	Gato, Conj.	76036c05.1 1
2	5003912M91	1	Barrel Assy	Cylindre	Zylinder	Cilindro	
3	#TUBE, CYLINDER	1	Tube, Cylinder	Tube, Cylinder	Tube, Cylinder	Tube, Cylinder	Ref. 2
4	#BUSHING	2	Bushing	Douille	Busche	Boccola	
5	339608X1	1	Grease Nipple - M10 X 1 (Zinc)	Nipple De Graissage	Schmiernippel	Engrasador	
6	1609899M1	1	Snap Ring	Anneau D´Arrêt	Sprengring	Anillo De Resorte	
7	1609328M1	1	Ring Cushioning	Anneau	Ring	Aro	
8	3403852M1	2	Ring, Guide - Piston	Anneau	Ring	Aro	
9	3485213M91	1	Seal Piston	Joint	Dichtung	Junta, Conj.	
10	#SEAL	1	Seal	Joint Étanchéité	Dichtring	Retén	Ref. 9
11	#SEAL	1	Seal	Joint Étanchéité	Dichtring	Retén	Ref. 9
13	3402928M1	1	Screw, Socket Head - Piston Locating	Vis Tête Hex	Zylinderschraube	Tornillo	
14	3484189M1	1	Piston	Piston	Kolben	Pistón	
15	3007182X1	1	O-Ring	Joint Torique	O-Ring	Junta De Tipo O	
16	359203X1	1	O-Ring	Joint Torique	O-Ring	Junta De Tipo O	
17	367120X1	1	Back-Up Ring	Contre Bague	Stützring	Aro	
18	3487909M1	1	O-Ring	Joint Torique	O-Ring	Junta De Tipo O	
19	3623202M1	1	Bearing	Roulement	Lager	Cojinete	
20	3623193M1	1	Guide Ring	Anneau	Ring	Aro	
21	3443388M1	1	Ring - Back Up	Anneau	Ring	Aro	
22	3443472M1	1	Seal	Joint D´Arbre	Wellendichtring	Junta	
23	3403385M1	1	Wiper Ring	Joint De Racleur	Abstreifdichtung	Junta Raspador	
24	339608X1	1	Grease Nipple - M10 X 1 (Zinc)	Nipple De Graissage	Schmiernippel	Engrasador	
25	3441629M91	1	Piston Rod Assy	Tige De Vérin	Kolbenstange	Vástago Cilindro	
26	#ROD, PISTON	1	Rod, Piston	Rod, Piston	Rod, Piston	Rod, Piston	Ref. 25
27	3484843M1	1	Bush, Hydr. Cylinders	Douille	Buechse	Casquillo	

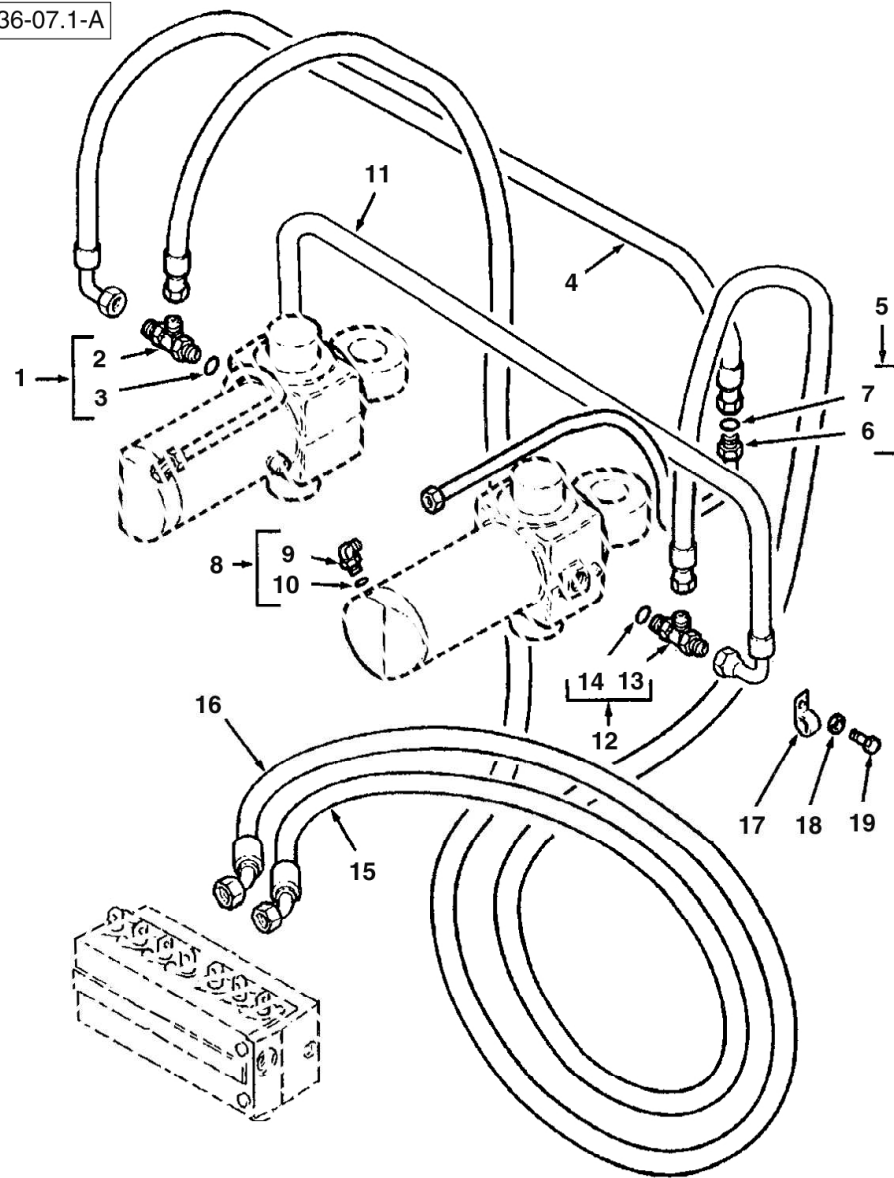




Item	Part No.	Qty.	English	French	German	Spanish	Remarks
1	6111078M91GY03	1	Cylinder Boom 4.5	Cylindre 4.5m	Zylinder 4.5m	Cilindro 4.5m	
2	6195249M91GY03	1	Tube - S/A (Terex Grey)	Tube - S/A (Terex Grey)	Tube - S/A (Terex Grey)	Tube - S/A (Terex Grey)	
3	6195253M1	4	Bush	Douille	Buchse	Casquillo	
4	6195255M1	2	Grease Nipple	Grease Nipple	Grease Nipple	Grease Nipple	
5	6195235M1	1	Ring - Cushion	Ring - Cushion	Ring - Cushion	Ring - Cushion	
6	6195259M1	2	Bearing - Piston	Bearing - Piston	Bearing - Piston	Bearing - Piston	
7	6195258M1	1	O - Ring	O - Ring	O - Ring	O - Ring	
8	6195257M1	1	Seal - Piston	Seal - Piston	Seal - Piston	Seal - Piston	
9	6195251M1	1	Piston	Piston	Piston	Piston	
10	6195254M1	1	Set Screw - Hex. Socket	Set Screw - Hex. Socket	Set Screw - Hex. Socket	Set Screw - Hex. Socket	
11	6194573M1	1	Wiper	Essuyeur	Wischer	Raspador, Escobilla	
12	6195262M1	1	Seal - Rod (Secondary)	Seal - Rod (Secondary)	Seal - Rod (Secondary)	Seal - Rod (Secondary)	
13	6194575M1	1	Seal - Rod (Primary)	Joint Étanchéité	Dichtring	Junta	
14	6195252M1	1	Cover - H.E.	Cover - H.E.	Cover - H.E.	Cover - H.E.	
15	6195256M1	1	Bush - Bimetal	Bush - Bimetal	Bush - Bimetal	Bush - Bimetal	
16	6195261M1	1	Ring - Back Up	Ring - Back Up	Ring - Back Up	Ring - Back Up	
17	6195260M1	1	O - Ring	O - Ring	O - Ring	O - Ring	
18	6194570M1	1	Ring - Back Up	Contre Bague	Stutzring	ContraJunta	
19	6195247M1	1	O - Ring	O - Ring	O - Ring	O - Ring	
20	6195250M91	1	Piston Rod - S/A	Piston Rod - S/A	Piston Rod - S/A	Piston Rod - S/A	
21	6195263M91	1	Seal Kit	Jeu Etancheite	Dichtringsatz	Juego Retenes	



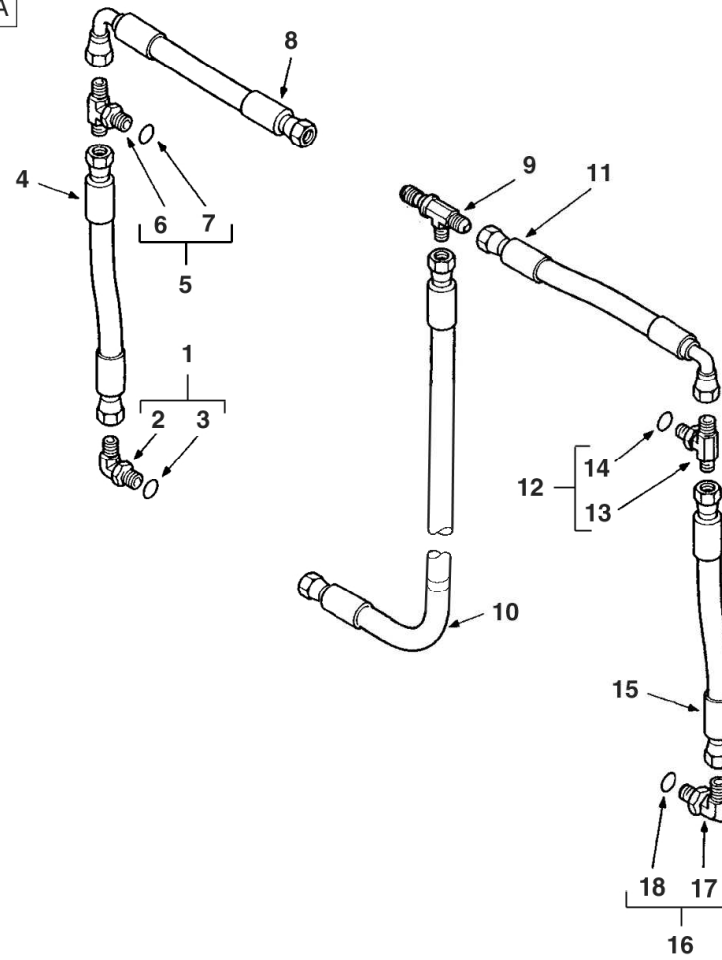
C-76036-07.1-A



Item	Part No.	Qty.	English	French	German	Spanish	Remarks
1	358728X91	1	Tee	Te	T-Stück	Te	
2	#TEE	1	Tee	Tee	Tee	Tee	Ref. 1
3	831497M1	1	O-Ring	Joint Torique	O-Ring	Junta De Tipo O	
4	6100716M91	1	Hose Slew Trsfr	Flexible Ass.	Schlauch Kplt	Flexible, Conj.	
5	6111174M92	1	Tube Assy Slew	Ensemble Tube	Rohr Kpl	Conj. De Tubo	LH Wipro
5	6100589M91	1	Tube Slew Trsf RH	Tuyauterie	Rohrleitung Kplt	Conjunto De Tubería	Pacoma
5	6100587M91	1	Tube Slew Trsf LH	Tuyauterie	Rohrleitung Kplt	Conjunto De Tubería	Pacoma
5	6111175M92	1	Tube Assy Slew	Ensemble Tube	Rohr Kpl	Conj.De Tubo	RH Wipro
6	#TUBE	1	Tube	Tube	Tube	Tube	Ref. 5
7	394923X1	1	O Ring	Joint Torique	O Ring	Junta De Tipo O	
8	357197X91	2	Elbow & O Ring	Coude	Kniestück, 90°	Codo, 90°	
9	#ELBOW	1	Elbow	Elbow	Elbow	Elbow	Ref. 8
10	831452M1	1	O Ring (Pack Of 10)	Joint Torique	O Ring	Junta De Tipo O	
11	6100716M91	1	Hose Slew Trsfr	Flexible Ass.	Schlauch Kplt	Flexible, Conj.	
12	358728X91	1	Tee	Te	T-Stück	Te	
13	#TEE	1	Tee	Tee	Tee	Tee	Ref. 12
14	831497M1	1	O-Ring	Joint Torique	O-Ring	Junta De Tipo O	
15	6107456M91	1	Hose-Iso Ss LH Swing	Flexible Ass.	Schlauch Kplt	Flexible, Conj.	
16	6107455M91	1	Hose-Iso Ss RH Swing	Flexible Ass.	Schlauch Kplt	Flexible, Conj.	
17	3517114M2	2	P - Clip	Collier De Fixation	Befestigungsschelle	Argolla De Fijación	
18	385361X1	2	Washer M8 Hardened	Rondelle M8	Scheibe M8	Arandela	
19	339228X1	2	Bolt, Hex. - M8 X 12 (Coarse)	Boulon M8 X 12	Maschschraube M8	Tornillo	



C-76036-08.1-A

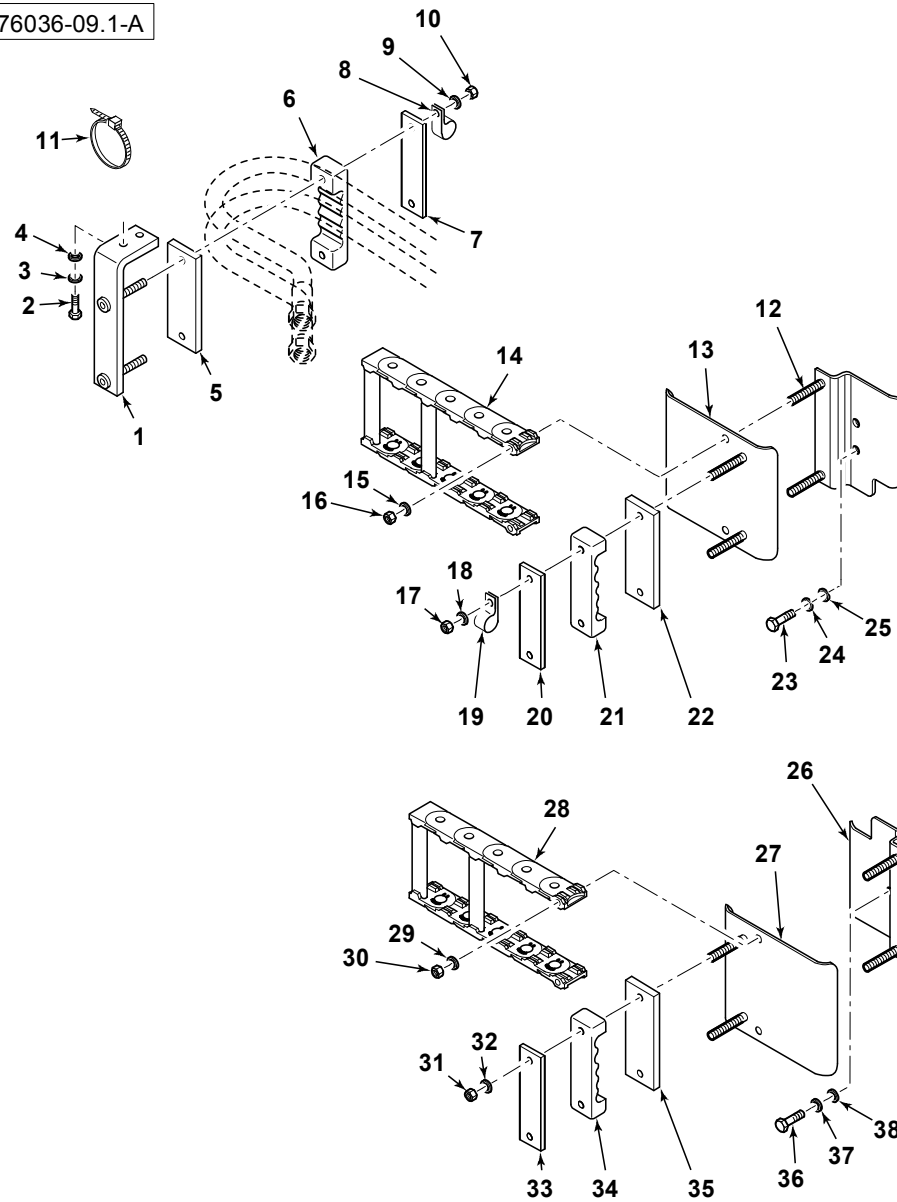




Item	Part No.	Qty.	English	French	German	Spanish	Remarks
1	358761X91	1	Elbow 90 Deg	Coude, 90	Kniestück, 90	Codo, 90°	
2	#ELBOW	1	Elbow	Elbow	Elbow	Elbow	Ref. 1
3	831496M1	1	O-Ring	Joint Torique	O-Ring	Junta De Tipo O	
4	3521882M94	1	Hose-Clamp Elbow/Tee	Flexible Ass.	Schlauch Kplt	Flexible, Conj.	
5	358827X91	1	Tee 1/2 Sae 1/2 Jic	Te	T-Stück	Te	
6	#TEE	1	Tee	Tee	Tee	Tee	Ref. 5
7	831496M1	1	O-Ring	Joint Torique	O-Ring	Junta De Tipo O	
8	3521878M93	1	Hose Sleeved	Flexible Ass.	Schlauch Kplt	Flexible, Conj.	
9	356558X1	1	Tee 7/16 Male	Te	T-Stück	Te	
10	6110207M91	1	Hose Assembly - Clamp	Ensemble De Flexible	Schlauch Kpl.	Flexible, Conj.	
11	3521878M93	1	Hose Sleeved	Flexible Ass.	Schlauch Kplt	Flexible, Conj.	
12	358827X91	1	Tee 1/2 Sae 1/2 Jic	Te	T-Stück	Te	
13	#TEE	1	Tee	Tee	Tee	Tee	Ref. 12
14	831496M1	1	O-Ring	Joint Torique	O-Ring	Junta De Tipo O	
15	3521882M94	1	Hose-Clamp Elbow/Tee	Flexible Ass.	Schlauch Kplt	Flexible, Conj.	
16	358761X91	1	Elbow 90 Deg	Coude, 90	Kniestück, 90	Codo, 90°	
17	#ELBOW	1	Elbow	Elbow	Elbow	Elbow	Ref. 16
18	831496M1	1	O-Ring	Joint Torique	O-Ring	Junta De Tipo O	

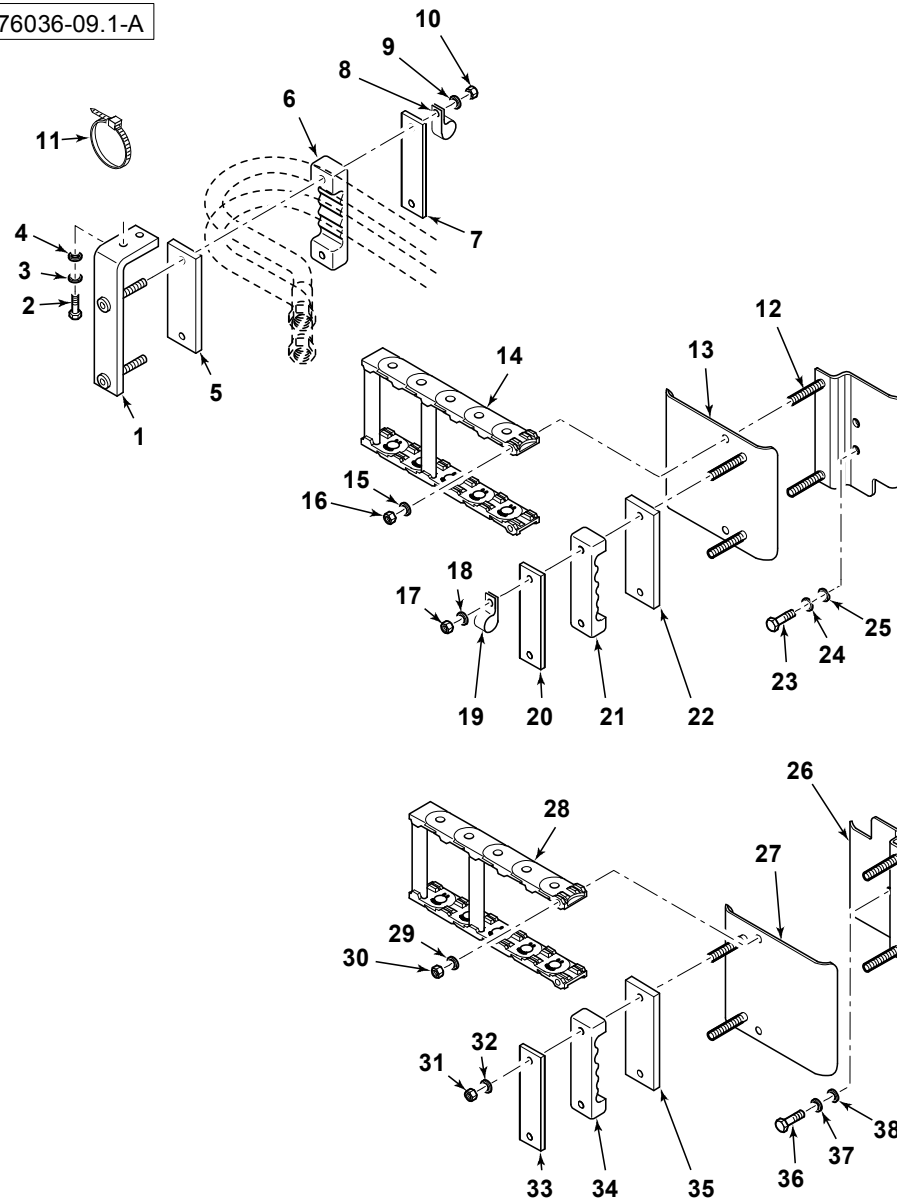


C-76036-09.1-A



Item	Part No.	Qty.	English	French	German	Spanish	Remarks
1	6107934M91	2	Bracket-Clamp	Patte Fixation	Halter	Brida De Fijación	
2	339761X1	4	Bolt M8-25 Z5f	Goupille	Bolzen M8 X 25	Tornillo	
3	390972X1	4	Washer M8-17-1 Zwel	Rondelle M8	Scheibe - M8	Arandela	
4	339374X1	4	Washer M8 -21-2 Z	Rondelle Frein - M8	Federring - M8	Arandela De Freno	
5	6102197M1	2	Pad-Neoprene	Plaque De Caoutchouc	Gummiplatte	Placa, Caucho	
6	6101859M1	1	Clamp-Rh Hose	Collier De Serrage	Schlauchbinder	Argolla De Cierre	
6	6101216M1	1	Clamp-Lh Hose	Collier De Serrage	Schlauchbinder	Argolla De Cierre	
7	6101215M1	2	Plate - Clamp	Plaque	Platte	Placa	
8	515-22159	1	Clip-Coated P	Collier De Serrage	Klemme	Argolla De Fijación	
9	390972X1	4	Washer M8-17-1 Zwel	Rondelle M8	Scheibe - M8	Arandela	
10	394367X1	4	Nut, Hex. - Nyloc, M8	Ecrou Blocage M8	Flachmutter - M8	Tuerca De Retención	
11	1862425M1	1	Tie 385mm T50I	Attache Cable	Kabelbinder	Enlace De Cable	
12	6102307M91	1	Bracket-Rh-W/Assy	Patte Fixation	Halter	Brida De Fijación	
13	6101424M91	1	Plate, Support - Digger Hoses	Ensemble De Plaque	Platte Kpl.	Placa, Conj.	
14	6102199M92	1	Hose Guide - Plastic Chain	Chaîne	Kette	Cadena	
15	390971X1	2	Washer M6-12-1 Zwel	Rondelle - M6	Scheibe - M6	Arandela	
16	1441500X1	2	Nut M6 Z5 Nyloc	Ecrou	Flachmutter M6	Tuerca De Retención	
17	394367X1	2	Nut, Hex. - Nyloc, M8	Ecrou Blocage M8	Flachmutter - M8	Tuerca De Retención	
18	390972X1	2	Washer M8-17-1 Zwel	Rondelle M8	Scheibe - M8	Arandela	
19	515-22159	1	Clip-Coated P	Collier De Serrage	Klemme	Argolla De Fijación	
20	6101215M1	1	Plate - Clamp	Plaque	Platte	Placa	
21	6101859M1	1	Clamp-Rh Hose	Collier De Serrage	Schlauchbinder	Argolla De Cierre	
22	6102197M1	1	Pad-Neoprene	Plaque De Caoutchouc	Gummiplatte	Placa, Caucho	
23	3009492X1	2	Bolt - Hex. M10 X 25	Boulon M10 X 25	Schraube M10 X 25	Tornillo	
24	339376X1	2	Washer M10-18-2 Zsp	Rondelle Frein	Federring	Arandela De Freno	
25	390734X1	2	Washer M10-21-2 Z	Rondelle - M10	Unterlegscheibe	Arandela	
26	6102308M91	1	Bracket-Lh-W/Assy	Patte Fixation	Halter	Brida De Fijación	
27	6101424M91	1	Plate, Support - Digger Hoses	Ensemble De Plaque	Platte Kpl.	Placa, Conj.	
28	6102199M92	1	Hose Guide - Plastic Chain	Chaîne	Kette	Cadena	
29	390971X1	2	Washer M6-12-1 Zwel	Rondelle - M6	Scheibe - M6	Arandela	

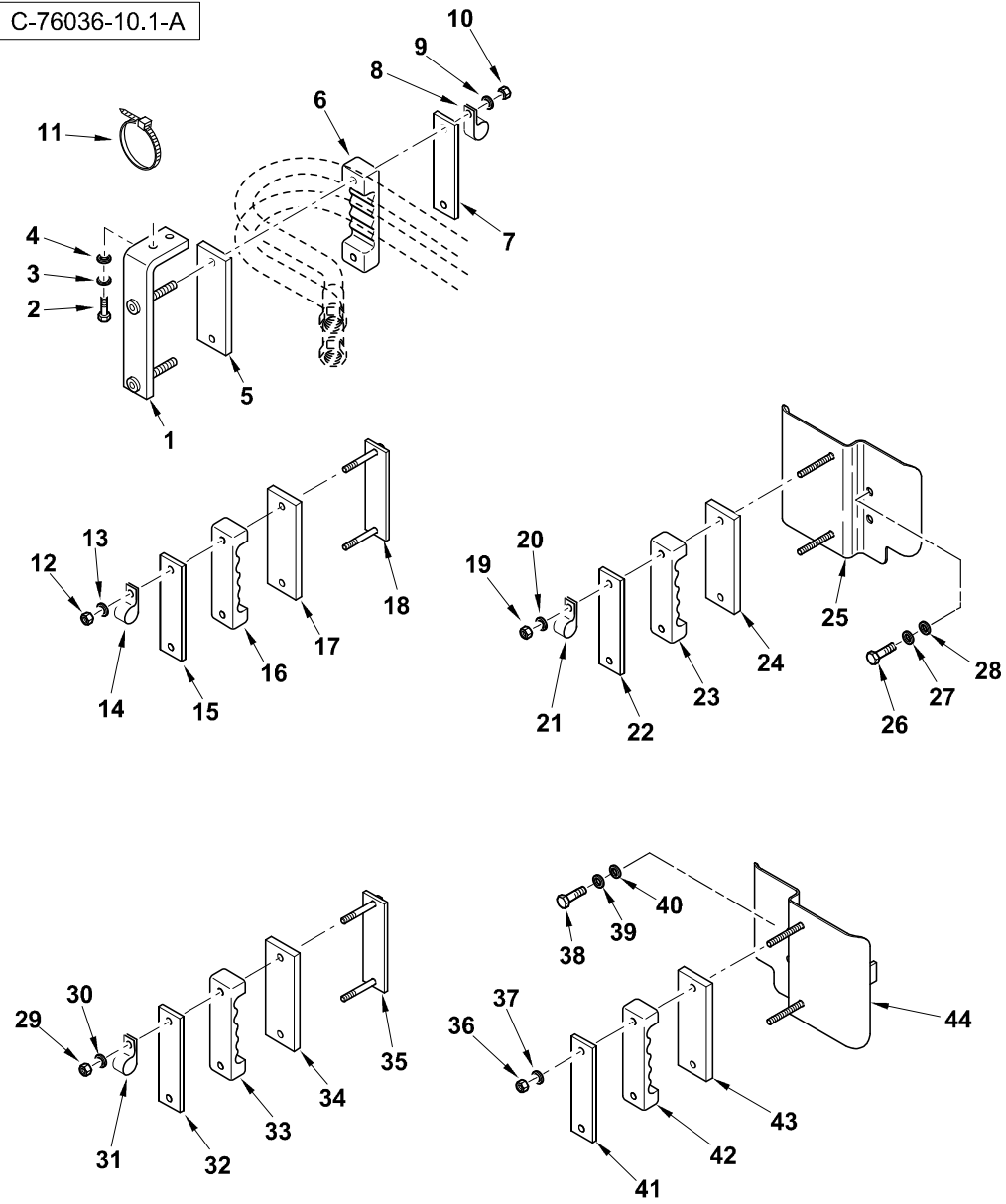
C-76036-09.1-A



Item	Part No.	Qty.	English	French	German	Spanish	Remarks
30	1441500X1	2	Nut M6 Z5 Nyloc	Ecrou	Flachmutter M6	Tuerca De Retención	
31	394367X1	2	Nut, Hex. - Nyloc, M8	Ecrou Blocage M8	Flachmutter - M8	Tuerca De Retención	
32	390972X1	2	Washer M8-17-1 Zwl	Rondelle M8	Scheibe - M8	Arandela	
33	6101215M1	1	Plate - Clamp	Plaque	Platte	Placa	
34	6101216M1	1	Clamp-Lh Hose	Collier De Serrage	Schlauchbinder	Argolla De Cierre	
35	6102197M1	1	Pad-Neoprene	Plaque De Caoutchouc	Gummiplatte	Placa, Caucho	
36	3009492X1	2	Bolt - Hex. M10 X 25	Boulon M10 X 25	Schraube M10 X 25	Tornillo	
37	339376X1	2	Washer M10-18-2 Zsp	Rondelle Frein	Federring	Arandela De Freno	
38	390734X1	2	Washer M10-21-2 Z	Rondelle - M10	Unterlegscheibe	Arandela	



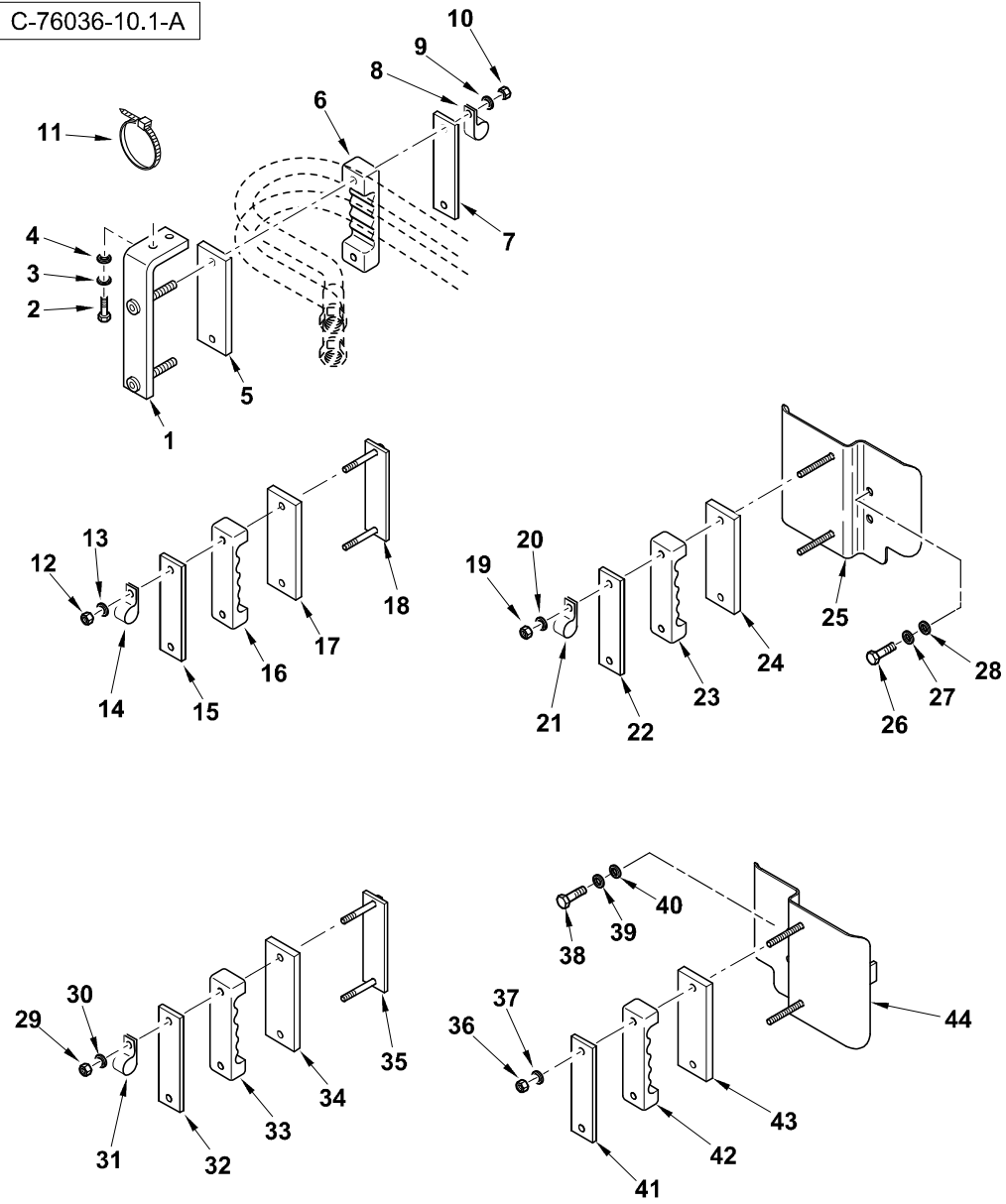
C-76036-10.1-A



Item	Part No.	Qty.	English	French	German	Spanish	Remarks
1	6107934M91	2	Bracket-Clamp	Patte Fixation	Halter	Brida De Fijación	
2	339761X1	4	Bolt M8-25 Z5f	Goupille	Bolzen M8 X 25	Tornillo	
3	390972X1	4	Washer M8-17-1 Zwl	Rondelle M8	Scheibe - M8	Arandela	
4	339374X1	4	Washer M8 -21-2 Z	Rondelle Frein - M8	Federring - M8	Arandela De Freno	
5	6102197M1	2	Pad-Neoprene	Plaque De Caoutchouc	Gummiplatte	Placa, Caucho	
6	6101859M1	1	Clamp-Rh Hose	Collier De Serrage	Schlauchbinder	Argolla De Cierre	
6	6101216M1	1	Clamp-Lh Hose	Collier De Serrage	Schlauchbinder	Argolla De Cierre	
7	6101215M1	2	Plate - Clamp	Plaque	Platte	Placa	
8	515-22159	1	Clip-Coated P	Collier De Serrage	Klemme	Argolla De Fijación	
9	390972X1	4	Washer M8-17-1 Zwl	Rondelle M8	Scheibe - M8	Arandela	
10	394367X1	4	Nut, Hex. - Nyloc, M8	Ecrou Blocage M8	Flachmutter - M8	Tuerca De Retención	
11	1862425M1	1	Tie 385mm T50I	Attache Cable	Kabelbinder	Enlace De Cable	
12	394367X1	2	Nut, Hex. - Nyloc, M8	Ecrou Blocage M8	Flachmutter - M8	Tuerca De Retención	
13	390972X1	2	Washer M8-17-1 Zwl	Rondelle M8	Scheibe - M8	Arandela	
14	515-22159	1	Clip-Coated P	Collier De Serrage	Klemme	Argolla De Fijación	
15	6101215M1	1	Plate - Clamp	Plaque	Platte	Placa	
16	6101859M1	1	Clamp-Rh Hose	Collier De Serrage	Schlauchbinder	Argolla De Cierre	
17	6102197M1	1	Pad-Neoprene	Plaque De Caoutchouc	Gummiplatte	Placa, Caucho	
18	6111437M91	1	Clamp - Hose Plate Assy.	Collier	Halteschelle	Placa, Conj.	
19	394367X1	2	Nut, Hex. - Nyloc, M8	Ecrou Blocage M8	Flachmutter - M8	Tuerca De Retención	
20	390972X1	2	Washer M8-17-1 Zwl	Rondelle M8	Scheibe - M8	Arandela	
21	515-22159	1	Clip-Coated P	Collier De Serrage	Klemme	Argolla De Fijación	
22	6101215M1	1	Plate - Clamp	Plaque	Platte	Placa	
23	6101859M1	1	Clamp-Rh Hose	Collier De Serrage	Schlauchbinder	Argolla De Cierre	
24	6102197M1	1	Pad-Neoprene	Plaque De Caoutchouc	Gummiplatte	Placa, Caucho	
25	6111548M91	1	Bracket- Hose Clamp RH W/A	Support Fixation	Haltearm	Cuchara, Conj.	
26	3009492X1	2	Bolt - Hex. M10 X 25	Boulon M10 X 25	Schraube M10 X 25	Tornillo	
27	339376X1	2	Washer M10-18-2 Zsp	Rondelle Frein	Federring	Arandela De Freno	
28	390734X1	2	Washer M10-21-2 Z	Rondelle - M10	Unterlegscheibe	Arandela	
29	394367X1	2	Nut, Hex. - Nyloc, M8	Ecrou Blocage M8	Flachmutter - M8	Tuerca De Retención	



C-76036-10.1-A

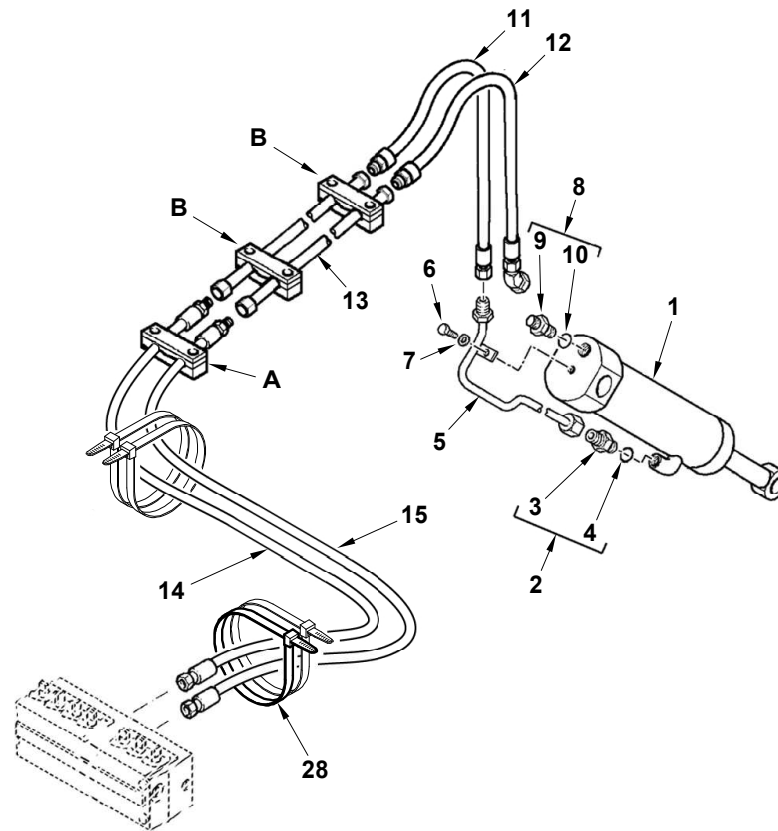
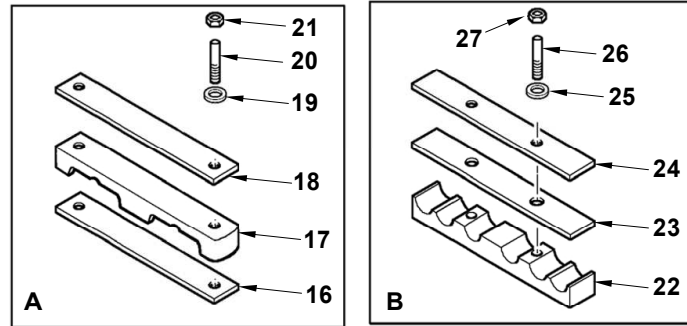




Item	Part No.	Qty.	English	French	German	Spanish	Remarks
30	390972X1	2	Washer M8-17-1 Zwl	Rondelle M8	Scheibe - M8	Arandela	
31	515-22159	1	Clip-Coated P	Collier De Serrage	Klemme	Argolla De Fijación	
32	6101215M1	1	Plate - Clamp	Plaque	Platte	Placa	
33	6101216M1	1	Clamp-Lh Hose	Collier De Serrage	Schlauchbinder	Argolla De Cierre	
34	6102197M1	1	Pad-Neoprene	Plaque De Caoutchouc	Gummiplatte	Placa, Caucho	
35	6111437M91	1	Clamp - Hose Plate Assy.	Collier	Halteschelle	Placa, Conj.	
36	394367X1	2	Nut, Hex. - Nyloc, M8	Ecrou Blocage M8	Flachmutter - M8	Tuerca De Retención	
37	390972X1	2	Washer M8-17-1 Zwl	Rondelle M8	Scheibe - M8	Arandela	
38	3009492X1	2	Bolt - Hex. M10 X 25	Boulon M10 X 25	Schraube M10 X 25	Tornillo	
39	339376X1	2	Washer M10-18-2 Zsp	Rondelle Frein	Federring	Arandela De Freno	
40	390734X1	2	Washer M10-21-2 Z	Rondelle - M10	Unterlegscheibe	Arandela	
41	6101215M1	1	Plate - Clamp	Plaque	Platte	Placa	
42	6101216M1	1	Clamp-Lh Hose	Collier De Serrage	Schlauchbinder	Argolla De Cierre	
43	6102197M1	1	Pad-Neoprene	Plaque De Caoutchouc	Gummiplatte	Placa, Caucho	
44	6111551M91	1	Bracket- Hose Clamp LH W/A	Support Fixation	Haltearm	Cuchara, Conj.	



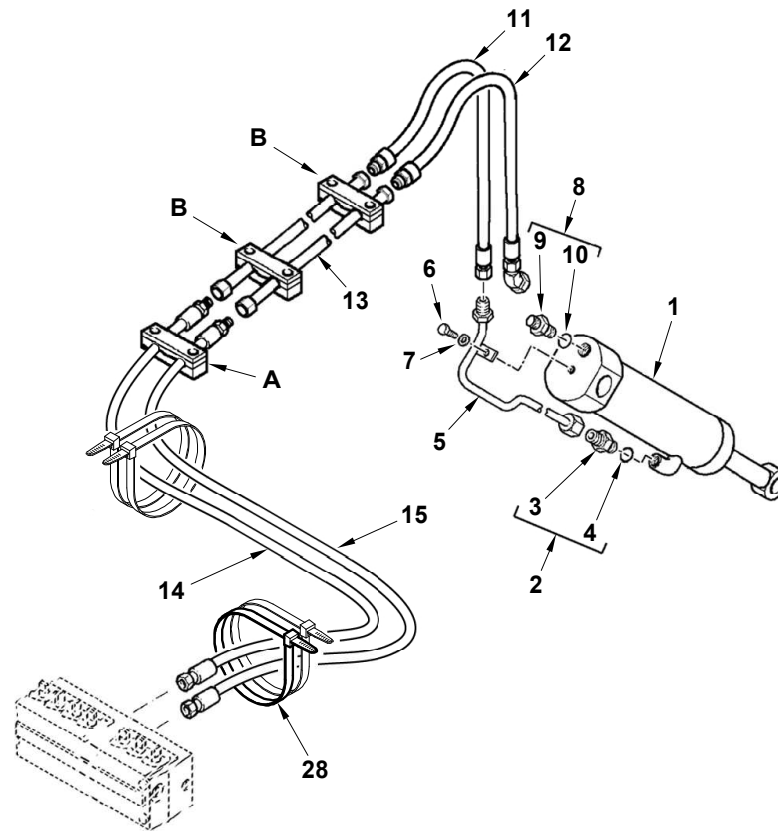
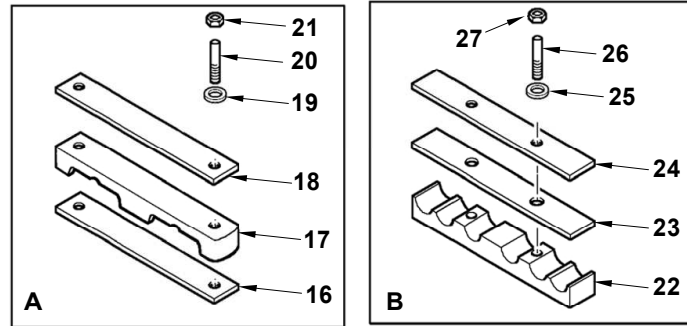
C-76037-01.1-B



Item	Part No.	Qty.	English	French	German	Spanish	Remarks
1	#CYLINDER ASSY	1	Cylinder Assy	Cylinder Assy	Cylinder Assy	Cylinder Assy	76037c02.1 1 76037c02.2 1
2	835013M91	1	Connector 7/8 Jic	Raccord	Schraubanschluss	Conexión, Conj.	
3	#UNION	1	Union	Union	Union	Union	Ref. 2
4	835024M1	1	Ring O - Boa	Joint Torique	O Ring	Junta De Tipo O	
5	6111161M91	1	Tube Assembly - Digger Bucket Cylinder	Tuyauterie	Rohrleitung Kplt	Conjunto De Tubería	Tba Wipro
5	6101540M91	1	Tube Assy Bucket	Tuyauterie	Rohrleitung Kplt	Conjunto De Tubería	Tba Pacoma
6	339123X1	1	Bolt M8-20 Z5f	Boulon M8 X 20	Maschschraube M8	Perno	
7	385361X1	1	Washer M8 Hardened	Rondelle M8	Scheibe M8	Arandela	
8	835013M91	1	Connector 7/8 Jic	Raccord	Schraubanschluss	Conexión, Conj.	
9	#UNION	1	Union	Union	Union	Union	Ref. 8
10	835024M1	1	Ring O - Boa	Joint Torique	O Ring	Junta De Tipo O	
11	#HOSE ASSY	1	Hose Assy	Hose Assy	Hose Assy	Hose Assy	Brown
12	#HOSE ASSY	1	Hose Assy	Hose Assy	Hose Assy	Hose Assy	White
13	6111137M91	2	Tube Assy - Bkt 4.5m Boom	Ensemble Tube	Rohr Kpl	Conjunto De Tubería	Ec05/328
13	6101771M91	2	Tube-Bucket-4.5m Boom	Tuyauterie	Rohrleitung Kplt	Conjunto De Tubería	Ec05/328
14	6111141M91	1	Hose Assy - Bucket Rod (Brown S/Shift)	Ensemble Durit	Schlauch Kpl	Flexible, Conj.	Brown Ec05/328
14	6108762M91	1	Hose-Ss Bucket Rod	Flexible Ass.	Schlauch Kplt	Flexible, Conj.	Brown Ec05/328
15	6111142M91	1	Hose Assy - Bucket HD (White S/Shift)	Ensemble Durit	Schlauch Kpl	Flexible, Conj.	White Ec05/328
15	6108763M91	1	Hose-Ss Bucket HD	Flexible Ass.	Schlauch Kplt	Flexible, Conj.	White Ec05/328
16	6102128M1	1	Pad-Neoprene	Plaque Antidérapante	Zwischenlage	Cinta Antideslizante	
17	6102122M1	1	Clamp	Collier De Serrage	Klemme	Brida De Fijación	
18	6102130M1	1	Plate-Clamp	Plaque	Platte	Placa	
19	390972X1	2	Washer M8-17-1 Zwl	Rondelle M8	Scheibe - M8	Arandela	
20	3516075M1	2	Stud M8-65 Z5	Goujon	Stehbolzen	Espárrago	
21	394367X1	2	Nut, Hex. - Nyloc, M8	Ecrou Blocage M8	Flachmutter - M8	Tuerca De Retención	
22	6102126M1	2	Clamp	Collier De Serrage	Klemme	Brida De Fijación	
23	6102145M1	2	Pad-Neoprene	Plaque Antidérapante	Zwischenlage	Cinta Antideslizante	
24	6102124M1	2	Plate-Top	Plaque	Platte	Placa	
25	390972X1	4	Washer M8-17-1 Zwl	Rondelle M8	Scheibe - M8	Arandela	
26	6108049M1	4	Stud M8	Goujon	Stehbolzen	Espárrago	

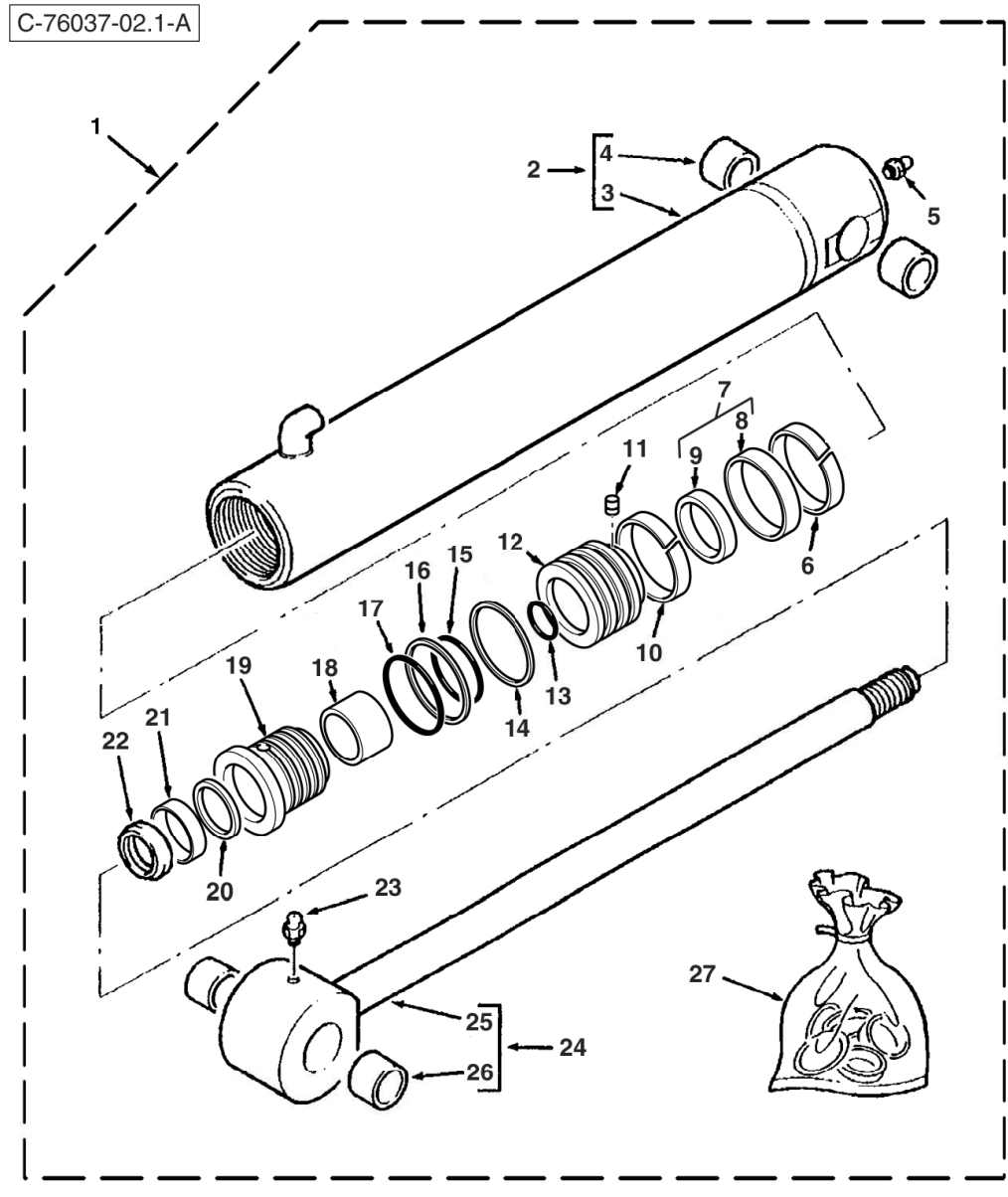


C-76037-01.1-B



<b>Item</b>	<b>Part No.</b>	<b>Qty.</b>	<b>English</b>	<b>French</b>	<b>German</b>	<b>Spanish</b>	<b>Remarks</b>
27	394367X1	4	Nut, Hex. - Nyloc, M8	Ecrou Blocage M8	Flachmutter - M8	Tuerca De Retención	
28	8000-1379	4	Tie Wrap ( 530 X 13mm )	Bride	Buegel	Banda	

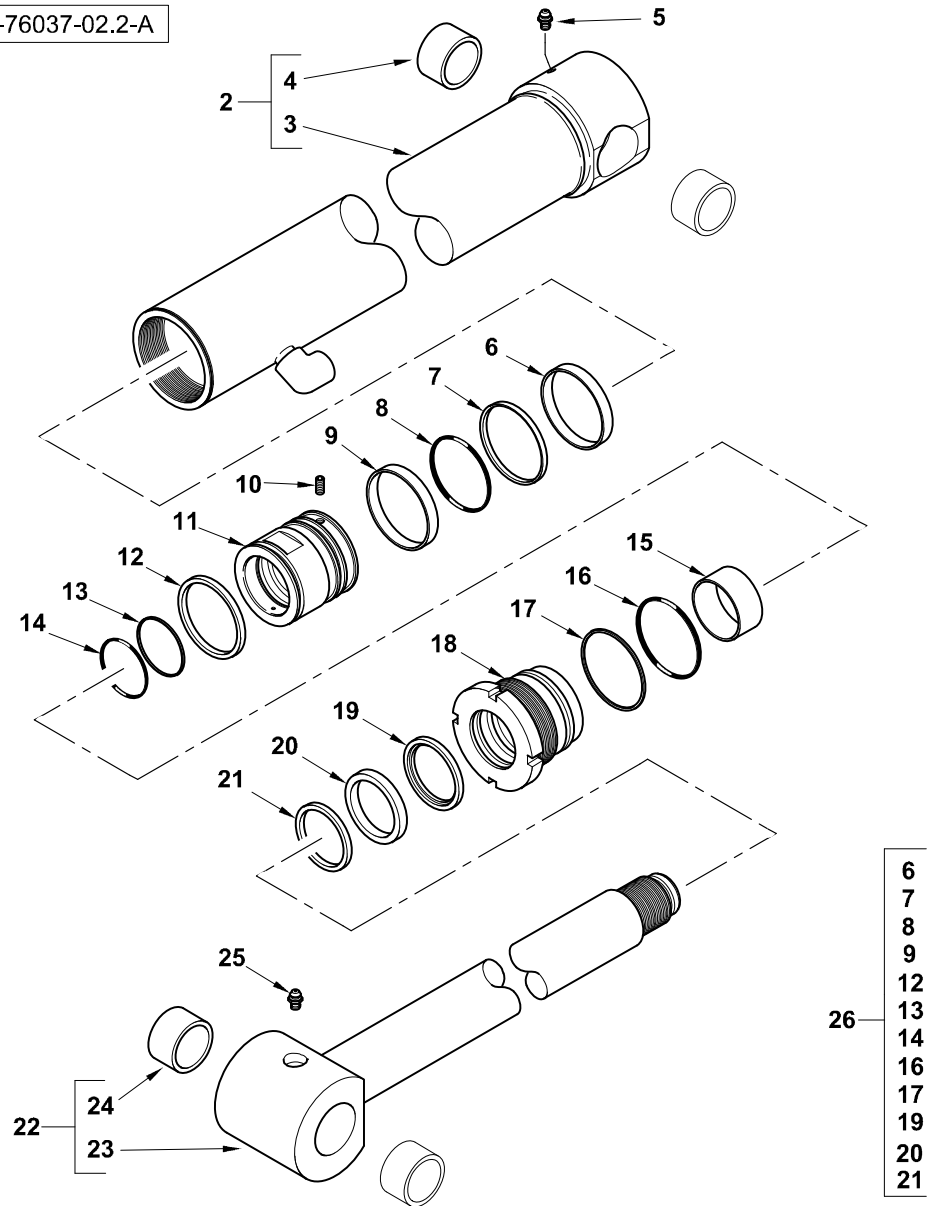




Item	Part No.	Qty.	English	French	German	Spanish	Remarks
1	5000126M91GY02	1	Cylinder Digger Bucket (Benford Grey)	L´Hie Hydraulique	Zylinder Hydr.	Gato, Conj.	Tba [76037c01.1 1]
2	5004008M91	1	Barrel Assy	Cylindre	Zylinder	Cilindro	
3	#TUBE, CYLINDER	1	Tube, Cylinder	Tube, Cylinder	Tube, Cylinder	Tube, Cylinder	Ref. 2
4	#BUSHING	1	Bushing	Douille	Busche	Boccola	
5	339608X1	1	Grease Nipple - M10 X 1 (Zinc)	Nipple De Graissage	Schmiernippel	Engrasador	
6	3485892M1	1	Guide Ring Piston	Bague D´Étanchéité	Dichtungsring	Anillo, Estanqueidad	
7	3485245M91	1	Seal Assy Piston	Joint Ass.	Dichtung Kplt	Junta, Conj.	
8	#SEAL	1	Seal	Joint Étanchéité	Dichtring	Retén	Ref. 7
9	#RING	1	Ring	Anneau	Ring	Aro	Ref. 7
10	3485892M1	1	Guide Ring Piston	Bague D´Étanchéité	Dichtungsring	Anillo, Estanqueidad	
11	3402928M1	1	Screw, Socket Head - Piston Locating	Vis Tête Hex	Zylinderschraube	Tornillo	
12	3623372M1	1	Piston	Piston	Kolben	Pistón	
13	359186X1	1	O-Ring	Joint Torique	O-Ring	Junta De Tipo O	
14	3623061M1	1	Ring Piston	Segment De Piston	Kolbenring	Segmento De Pistón	
15	359193X1	1	O-Ring	Joint Torique	O-Ring	Junta De Tipo O	
16	1606735M1	1	Ring Back-Up	Contre Bague	Stützring	ContraJunta	
17	3487207M1	1	O-Ring	Joint Torique	O-Ring	Junta De Tipo O	
18	3484615M1	1	Guide Ring	Anneau	Ring	Aro	
19	3623371M1	1	Gland - Bucket Cylinder	Presse Étoupe	Stopfbuchse	Cojinete	
20	3484055M1	1	Ring Buffer	Anneau	Ring	Aro	
21	3485185M1	1	Seal	Joint D´Arbre	Wellendichtring	Junta	
22	3487015M1	1	Wiper Ring	Anneau	Ring	Aro	
23	339608X1	1	Grease Nipple - M10 X 1 (Zinc)	Nipple De Graissage	Schmiernippel	Engrasador	
24	5004012M91	1	Piston Rod Assy - Nla	Tige De Vérin	Kolbenstange	Vástago Cilindro	
25	#ROD, PISTON	1	Rod, Piston	Rod, Piston	Rod, Piston	Rod, Piston	Ref. 24
26	#BUSHING	1	Bushing	Douille	Busche	Boccola	
27	3623373M91	1	Kit Seal	Jeu Etancheite	Dichtringsatz	Juego De Juntas	



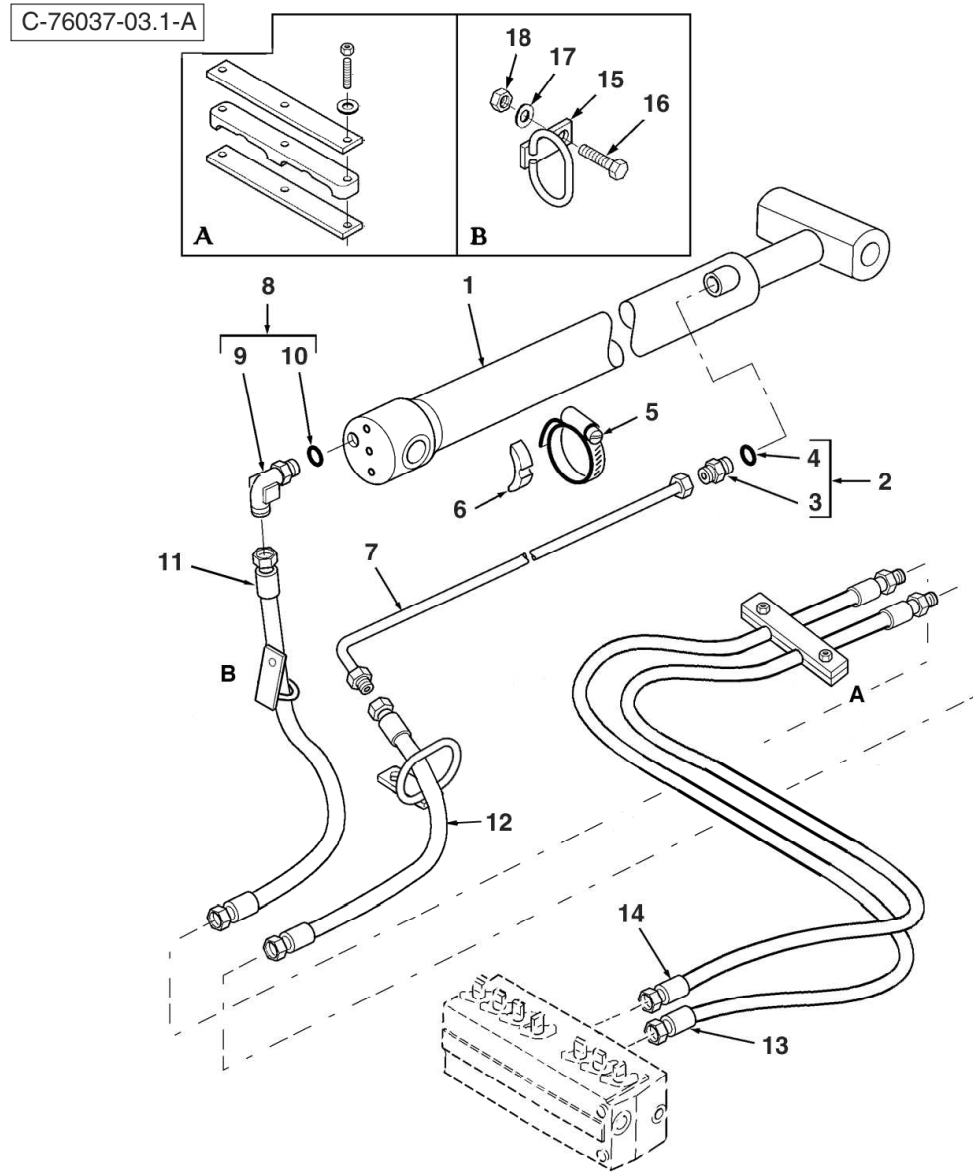
C-76037-02.2-A





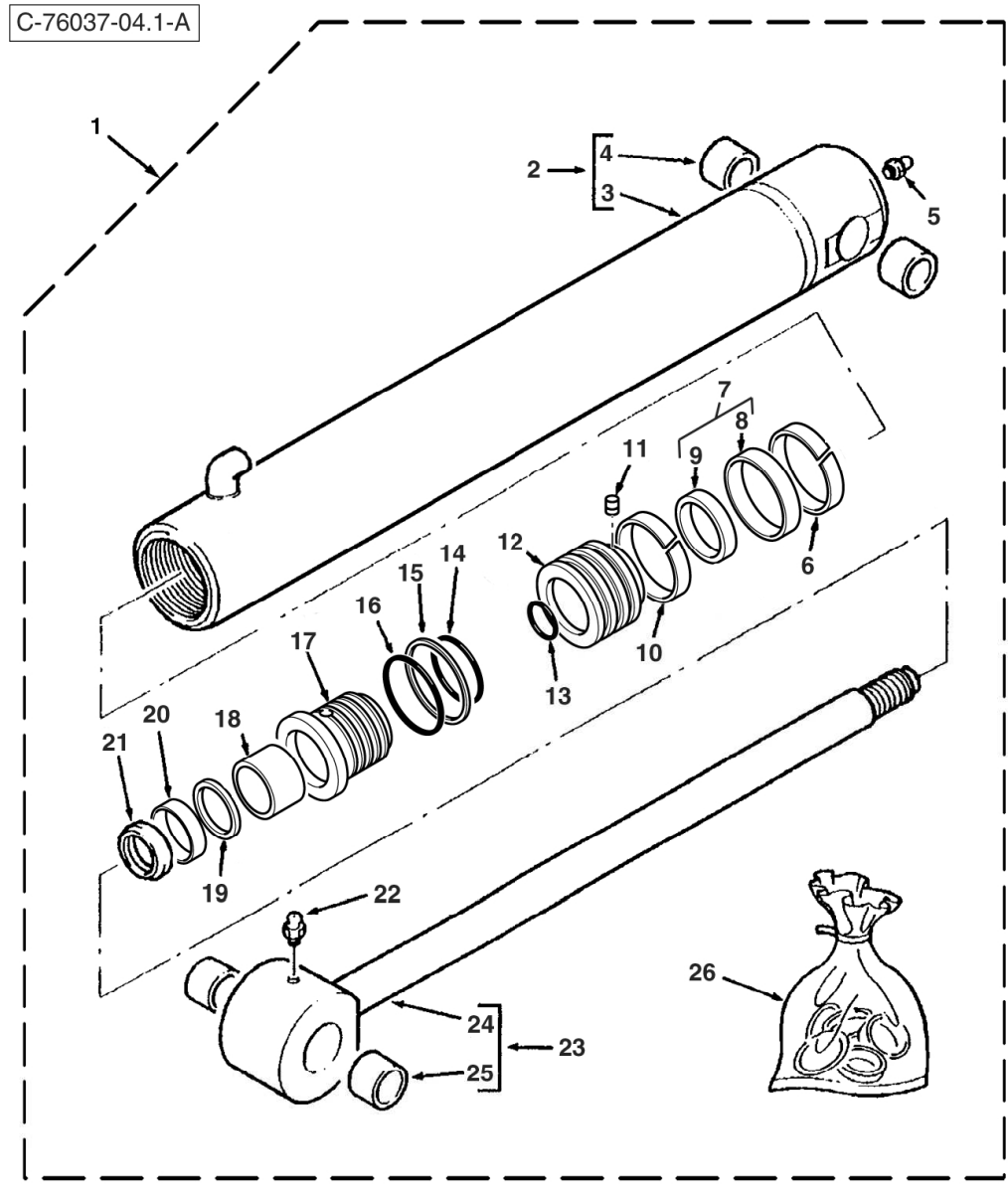
Item	Part No.	Qty.	English	French	German	Spanish	Remarks
1	6111070M91GY03	1	Cylinder- Digger Bucket	Cylindre	Zylinder	Gato, Conj.	Tba [76037c01.1 1]
2	6194629M91	1	Barrel - Cylinder	Corps Cylindre	Zylindergehäuse	Tubo	
3	#TUBE	1	Tube	Tube	Tube	Tube	Ref. 2
4	6194562M1	2	Bush	Douille	Büchse	Casquillo	
5	6194542M1	1	Nipple - Grease	Graisseur Coude	Nippel	Manguito, Engrasador	
6	6194634M1	1	Bearing - Piston	Coussinet	Lager	Teniendo - Pistón	
7	6194635M1	1	Seal - Piston	Joint Étanchéité	Dichtring	Junta	
8	6194636M1	1	O Ring (Std)	Joint Torique	O Ring	Junta De Tipo O	
9	6194634M1	1	Bearing - Piston	Coussinet	Lager	Teniendo - Pistón	
10	6194633M1	1	Set Screw - Hex Socket	Vis Tete Hex	Zylinderschraube	Tornillo De Ajuste	
11	6194631M1	1	Piston	Piston	Kolben	Pistón	
12	6194637M1	1	Ring - Piston	Segment Piston	Kolbenring	Segmento De Pistón	
13	6194625M1	1	Ring - Back Up	Contre Bague	Stutzring	ContraJunta	
14	6194624M1	1	O Ring (Std)	Joint Torique	O Ring	Junta De Tipo O	
15	6194541M1	1	Bush - Bimetal	Douille	Büchse	Juego De Anillos	
16	6194640M1	1	O Ring (Std)	Joint Torique	O Ring	Junta De Tipo O	
17	6194641M1	1	Ring - Back Up	Contre Bague	Stutzring	ContraJunta	
18	6194632M1	1	End Cover - Head	Couvercle	Deckel	Tapa	
19	6194638M1	1	Seal - Rod (Primary)	Joint Étanchéité	Dichtring	Junta	
20	6194639M1	1	Seal- Rod (Secondary)	Joint Étanchéité	Dichtring	Junta	
21	6194554M1	1	Wiper	Essuyeur	Wischer	Raspador, Escobilla	
22	6194630M91	1	Rod - Piston	Bielle De Piston	Pleuelstange	Rod - Pistón	
23	#ROD	1	Rod	Rod	Rod	Rod	Ref. 22
24	6194562M1	2	Bush	Douille	Büchse	Casquillo	
25	6194542M1	1	Nipple - Grease	Graisseur Coude	Nippel	Manguito, Engrasador	
26	6194642M91	0	Seal Kit	Jeu Etancheite	Dichtringsatz	Juego De Juntas	





Item	Part No.	Qty.	English	French	German	Spanish	Remarks
1	#CYLINDER ASSY	1	Cylinder Assy	Cylinder Assy	Cylinder Assy	Cylinder Assy	76037c04.1 1 76037c04.2 1
2	835013M91	1	Connector 7/8 Jic	Raccord	Schraubanschluss	Conexión, Conj.	
3	#UNION	1	Union	Union	Union	Union	Ref. 2
4	835024M1	1	Ring O - Boa	Joint Torique	O Ring	Junta De Tipo O	
5	3517733M1	1	Clamp Hose 130-150	Collier De Serrage	Schlauchbinder	Argolla De Cierre	
6	D142787	1	Saddle (See 142787d)	Selle	Sattel	Bloque De Caucho	
7	#TUBE ASSY	1	Tube Assy	Tube Assy	Tube Assy	Tube Assy	
8	#ELBOW	1	Elbow	Elbow	Elbow	Elbow	
9	#ELBOW	1	Elbow	Elbow	Elbow	Elbow	Ref. 8
10	#O-RING	1	O-Ring	Joint Torique	O-Ring	Junta Tórica	
11	6101738M91	1	Hose-Dipper Head	Flexible Ass.	Schlauch Kplt	Flexible, Conj.	Yellow
12	6101737M91	1	Hose-Dipper Rod	Flexible Ass.	Schlauch Kplt	Flexible, Conj.	Red
13	6108767M91	1	Hose-Ss Dipper HD	Flexible Ass.	Schlauch Kplt	Flexible, Conj.	Yellow
14	6108766M91	1	Hose-Ss Dipper Rod	Flexible Ass.	Schlauch Kplt	Flexible, Conj.	Red
15	6101491M92	2	Hose Hoop Assy	Ensemble De Support	Haltevorrichtung Kpl.	Apoyadero, Conj.	
16	339761X1	2	Bolt M8-25 Z5f	Goupille	Bolzen M8 X 25	Tornillo	
17	390972X1	2	Washer M8-17-1 Zwel	Rondelle M8	Scheibe - M8	Arandela	
18	394367X1	2	Nut, Hex. - Nyloc, M8	Ecrou Blocage M8	Flachmutter - M8	Tuerca De Retención	

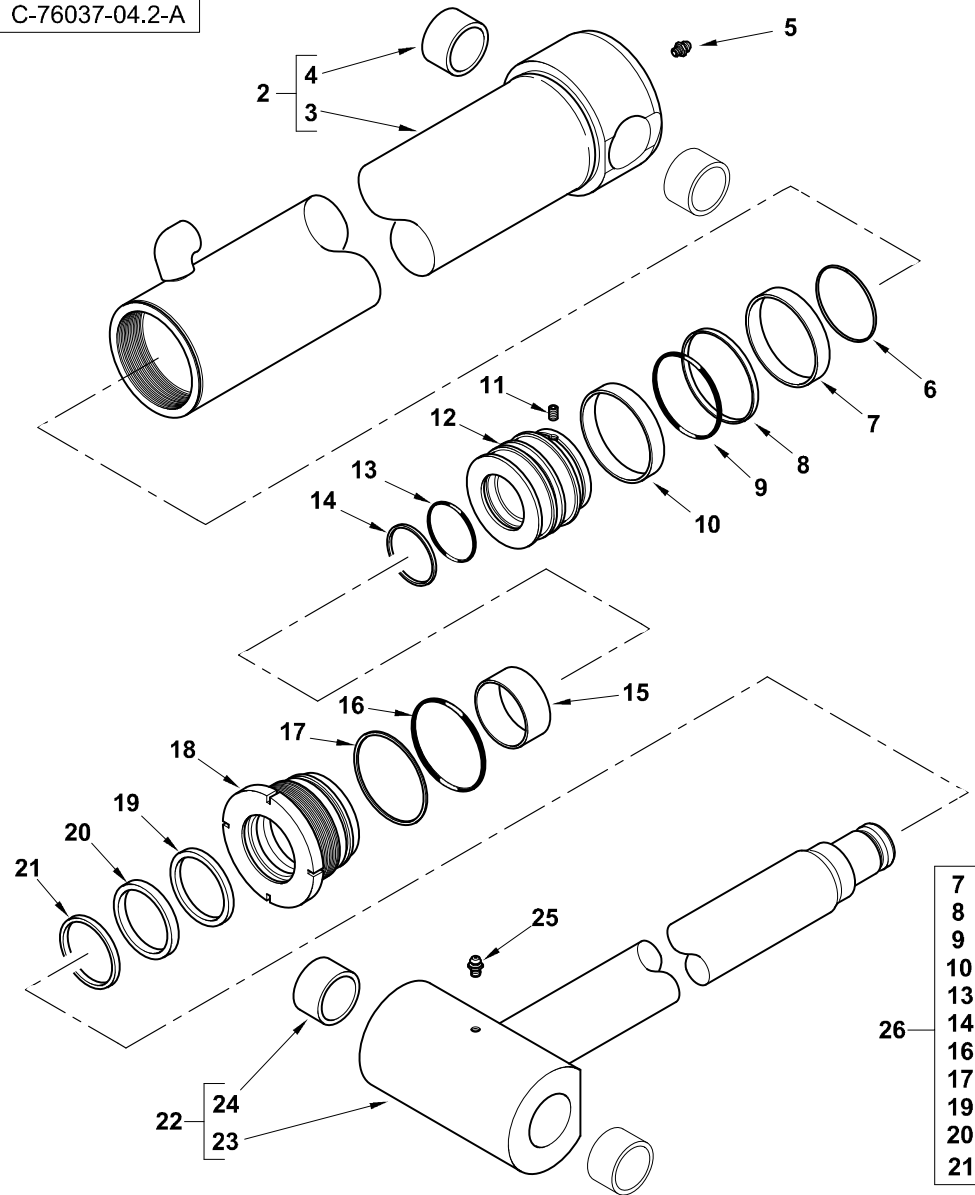




Item	Part No.	Qty.	English	French	German	Spanish	Remarks
1	5000124M91GY02	1	Cylinder Dipperstick (Benford Grey)	L´Hie Hydraulique	Zylinder Hydr.	Gato, Conj.	Tba [76037c03.1 1]
2	5003982M91	1	Barrel Assy. - Dipper Cylinder	Corps Cylindre	Zylindergehäuse	Cilindro	
3	#TUBE, CYLINDER	1	Tube, Cylinder	Tube, Cylindre	Tube, Cylinder	Tube, Cylinder	Ref. 2
4	3484843M1	1	Bush, Hydr. Cylinders	Douille	Buechse	Casquillo	
5	339608X1	1	Grease Nipple - M10 X 1 (Zinc)	Nipple De Graissage	Schmiernippel	Engrasador	
6	3485891M1	1	Guide Ring Piston	Anneau	Ring	Aro	
7	3485247M91	1	Seal Piston	Joint	Dichtung	Junta, Conj.	
8	#SEAL	1	Seal	Joint Étanchéité	Dichtring	Retén	Ref. 7
9	#RING	1	Ring	Anneau	Ring	Aro	Ref. 7
10	3485891M1	1	Guide Ring Piston	Anneau	Ring	Aro	
11	3402928M1	1	Screw, Socket Head - Piston Locating	Vis Tête Hex	Zylinderschraube	Tornillo	
12	5003989M1	1	Piston	Piston	Kolben	Pistón	
13	3007182X1	1	O-Ring	Joint Torique	O-Ring	Junta De Tipo O	
14	359196X1	1	O Ring	Joint Torique	O Ring	Junta De Tipo O	
15	378545X1	1	Ring - Backup	Contre Bague	Stutzring	Aro	
16	3487908M1	1	O Ring, Hydr. Cylinder	Joint Torique	O Ring	Junta De Tipo O	
17	5003988M1	1	Bearing Cylinder	Roulement	Lager	Cojinete	
18	3623193M1	1	Guide Ring	Anneau	Ring	Aro	
19	3443388M1	1	Ring - Back Up	Anneau	Ring	Aro	
20	3443472M1	1	Seal	Joint D´Arbre	Wellendichtring	Junta	
21	3403385M1	1	Wiper Ring	Joint De Racleur	Abstreifdichtung	Junta Raspador	
22	339608X1	1	Grease Nipple - M10 X 1 (Zinc)	Nipple De Graissage	Schmiernippel	Engrasador	
23	5003985M91	1	Piston Rod Assy	Tige De Vérin	Kolbenstange	Vástago Cilindro	
24	#ROD, PISTON	1	Rod, Piston	Rod, Piston	Rod, Piston	Rod, Piston	Ref. 23
25	3484843M1	1	Bush, Hydr. Cylinders	Douille	Buechse	Casquillo	
26	5004401M91	1	Kit Seal	Jeu Étanchéité	Dichtringsatz	Juego De Juntas	



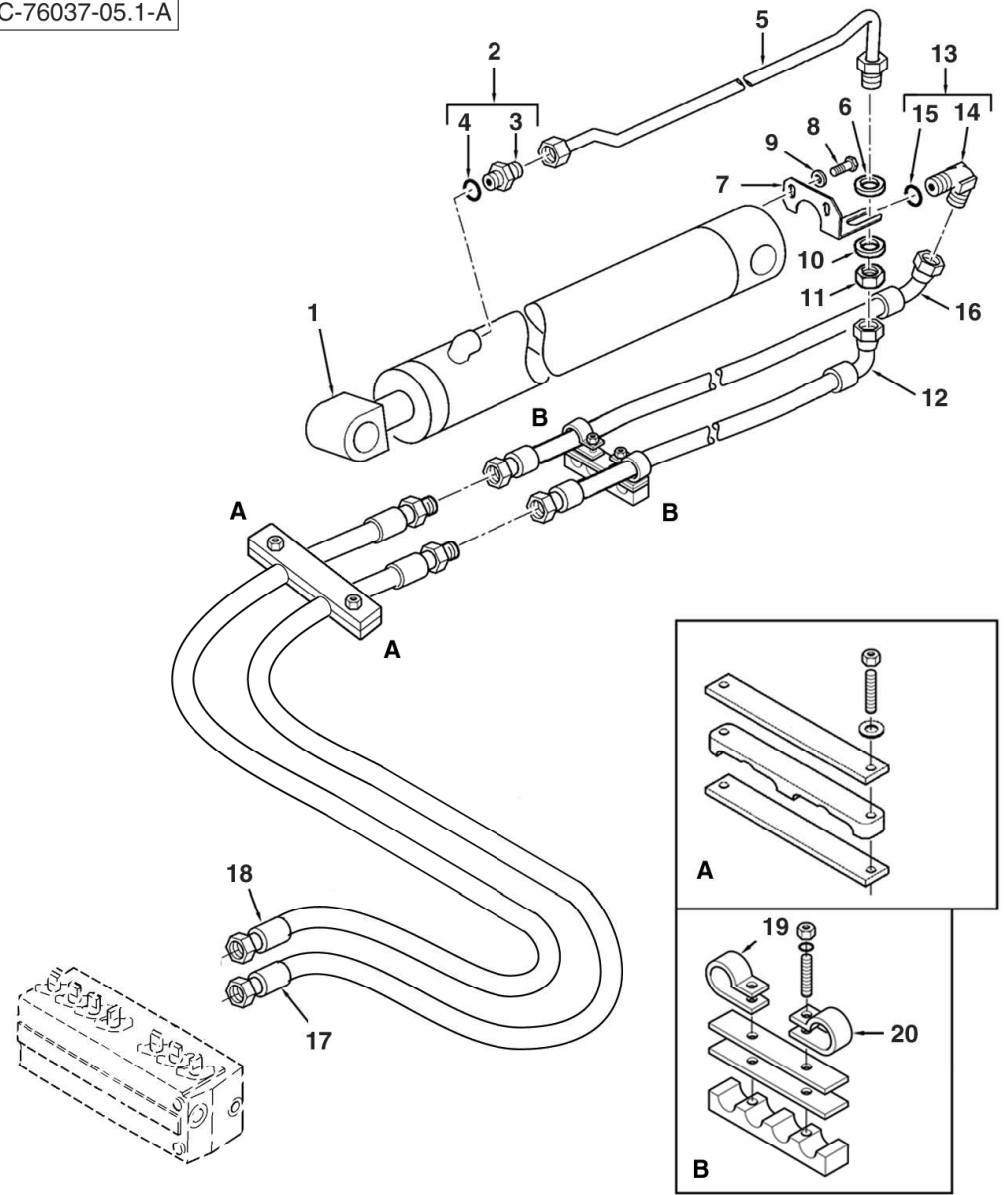
C-76037-04.2-A



Item	Part No.	Qty.	English	French	German	Spanish	Remarks
1	6111069M91GY03	1	Cylinder - Dipperstick	Cylindre	Zylinder	Gato, Conj.	Tba [76037c03.1 1]
2	6194615M91	1	Barrel - Cylinder	Corps Cylindre	Zylindergehäuse	Conjunto De Tubería	
3	#TUBE	1	Tube	Tube	Tube	Tube	Ref. 2
4	6194562M1	2	Bush	Douille	Büchse	Casquillo	
5	6194542M1	1	Nipple - Grease	Graisseur Coude	Nippel	Manguito, Engrasador	
6	6194620M1	1	Ring - Snap	Fermeoir	Sprengring	Anillo De Resorte	
7	6194621M1	1	Bearing - Piston	Coussinet	Lager	Teniendo - Pistón	
8	6194622M1	1	Seal - Piston	Joint Étanchéité	Dichtring	Junta	
9	6194623M1	1	O Ring (Std)	Joint Torique	O Ring	Junta De Tipo O	
10	6194621M1	1	Bearing - Piston	Coussinet	Lager	Teniendo - Pistón	
11	6194619M1	1	Set Screw	Vis	Schraube	Tornillo De Ajuste	
12	6194617M1	1	Piston	Piston	Kolben	Pistón	
13	6194624M1	1	O Ring (Std)	Joint Torique	O Ring	Junta De Tipo O	
14	6194625M1	1	Ring - Back Up	Contre Bague	Stutzring	ContraJunta	
15	6194565M1	1	Bush - Bimetal	Douille	Büchse	Juego De Anillos	
16	6194626M1	1	O Ring (Std)	Joint Torique	O Ring	Junta De Tipo O	
17	6194627M1	1	Ring - Back Up	Contre Bague	Stutzring	ContraJunta	
18	6194618M1	1	End Cover - Head	Couvercle	Deckel	Tapa	
19	6194575M1	1	Seal - Rod (Primary)	Joint Étanchéité	Dichtring	Junta	
20	6194576M1	1	Seal- Rod (Secondary)	Joint Étanchéité	Dichtring	Junta	
21	6194573M1	1	Wiper	Essuyeur	Wischer	Raspador, Escobilla	
22	6194616M91	1	Rod - Piston	Bielle De Piston	Pleuelstange	Rod - Pistón	
23	#ROD	1	Rod	Rod	Rod	Rod	Ref. 22
24	6194562M1	2	Bush	Douille	Büchse	Casquillo	
25	6194542M1	1	Nipple - Grease	Graisseur Coude	Nippel	Manguito, Engrasador	
26	6194628M91	0	Seal Kit	Jeu Etancheite	Dichtringsatz	Juego De Juntas	



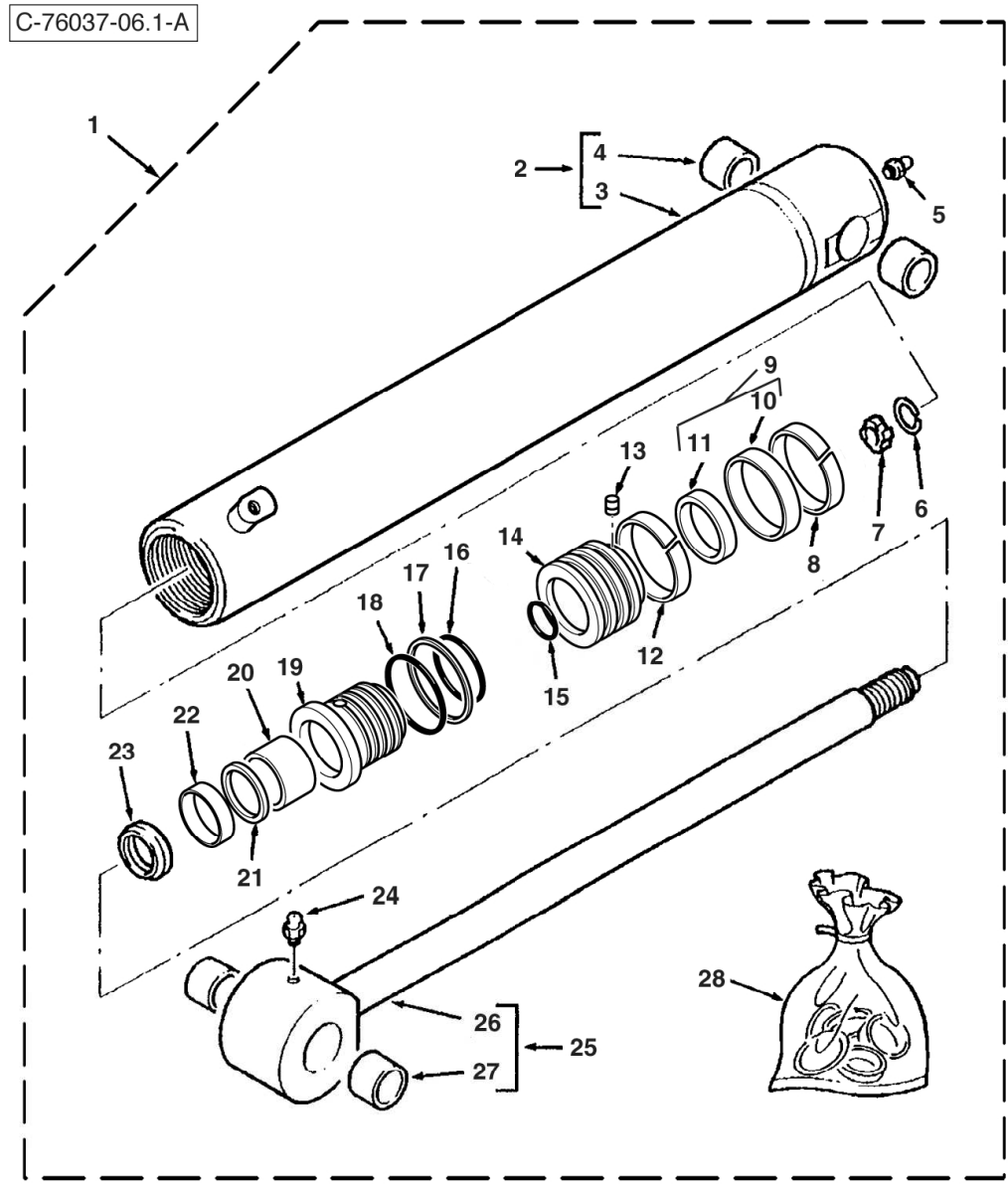
C-76037-05.1-A





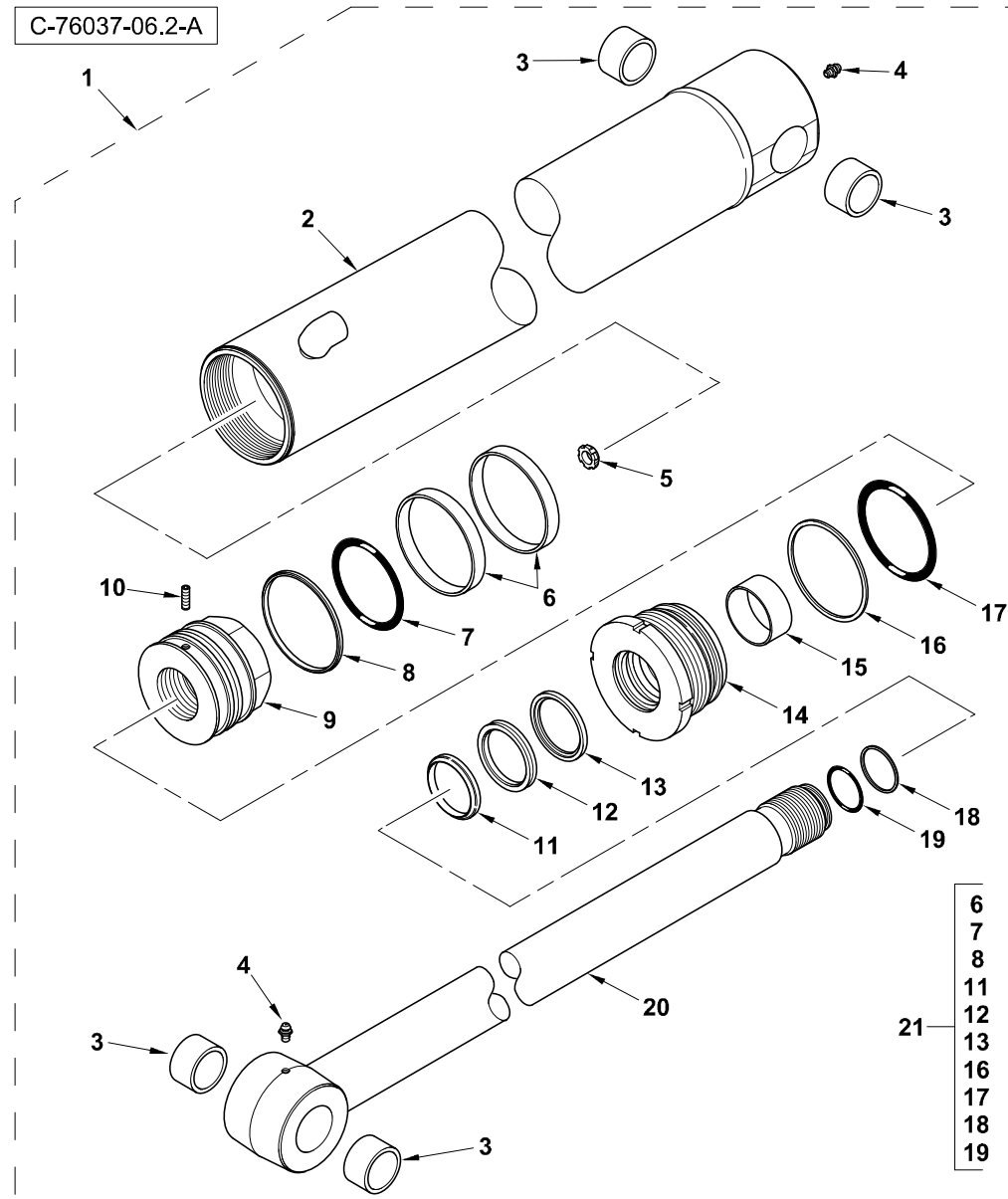
Item	Part No.	Qty.	English	French	German	Spanish	Remarks
1	6111078M91GY03	1	Cylinder Boom 4.5	Cylindre 4.5m	Zylinder 4.5m	Cilindro 4.5m	Wipro
1	5000122M91	1	Cylinder 4.5m B00m - Hi Spec	L' Hie Hydraulique	Zylinder Hydr.	Gato, Conj.	Pacoma
2	835013M91	1	Connector 7/8 Jic	Raccord	Schraubanschluss	Conexión, Conj.	
3	#UNION	1	Union	Union	Union	Union	Ref. 2
4	835024M1	1	Ring O - Boa	Joint Torique	O Ring	Junta De Tipo O	
5	6111165M92	1	Tube Assy - Boom Cyl. 4.5 (Hose Burst)	Tuyauterie	Rohrleitung Kplt	Conjunto De Tubería	Wipro
5	6101956M92	1	Tube Assy - Boom Cyl. 4.5 (Hose Burst)	Tuyauterie	Rohrleitung Kplt	Conjunto De Tubería	Pacoma
6	#WASHER	1	Washer	Rondelle	Unterlegscheibe	Arandela	
7	#BRACKET	1	Bracket	Bracket	Bracket	Bracket	
8	339228X1	2	Bolt, Hex. - M8 X 12 (Coarse)	Boulon M8 X 12	Maschschraube M8	Tornillo	
9	339374X1	2	Washer M8 -21-2 Z	Rondelle Frein - M8	Federring - M8	Arandela De Freno	
10	#WASHER	1	Washer	Rondelle	Unterlegscheibe	Arandela	
11	#NUT	1	Nut	Ecrou	Mutter	Tuerca	
12	#HOSE ASSY	1	Hose Assy	Hose Assy	Hose Assy	Hose Assy	Orange
13	#ELBOW	1	Elbow	Elbow	Elbow	Elbow	
14	#ELBOW	1	Elbow	Elbow	Elbow	Elbow	Ref. 13
15	#O-RING	1	O-Ring	Joint Torique	O-Ring	Junta Tórica	
16	6101736M92	1	Hose, "Blue" - Boom Cylinder Feed	Flexible	Schlauch	Flexible, Conj.	Blue
17	6108761M91	1	Hose-Ss Boom Rod	Flexible Ass.	Schlauch Kplt	Flexible, Conj.	Orange
18	6108760M91	1	Hose-Ss Boom HD	Flexible Ass.	Schlauch Kplt	Flexible, Conj.	Blue
19	515-23270	1	Clip-Coated P	Clip	Klips	Clip	
20	515-23206	1	P Clip Bsr081hs	Bride Pour Tutaux	Schlauchschelle	Abrazadera De Manguera	





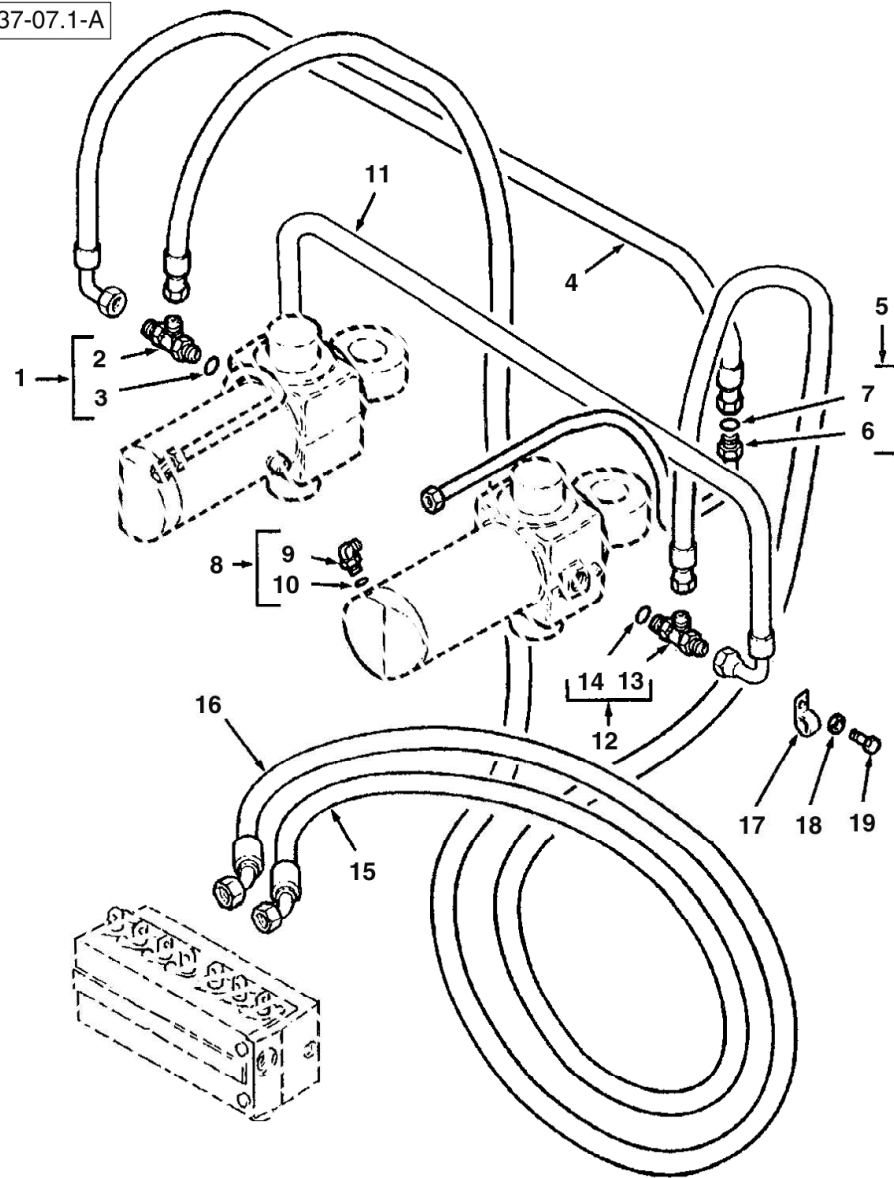
Item	Part No.	Qty.	English	French	German	Spanish	Remarks
1	5000122M91	1	Cylinder 4.5m B00m - Hi Spec	L´Hie Hydraulique	Zylinder Hydr.	Gato, Conj.	76037c05.1 1
2	5003912M91	1	Barrel Assy	Cylindre	Zylinder	Cilindro	
3	#TUBE, CYLINDER	1	Tube, Cylinder	Tube, Cylinder	Tube, Cylinder	Tube, Cylinder	Ref. 2
4	#BUSHING	2	Bushing	Douille	Busche	Boccola	
5	339608X1	1	Grease Nipple - M10 X 1 (Zinc)	Nipple De Graissage	Schmiernippel	Engrasador	
6	1609899M1	1	Snap Ring	Anneau D´Arrêt	Sprengring	Anillo De Resorte	
7	1609328M1	1	Ring Cushioning	Anneau	Ring	Aro	
8	3403852M1	2	Ring, Guide - Piston	Anneau	Ring	Aro	
9	3485213M91	1	Seal Piston	Joint	Dichtung	Junta, Conj.	
10	#SEAL	1	Seal	Joint Étanchéité	Dichtring	Retén	Ref. 9
11	#SEAL	1	Seal	Joint Étanchéité	Dichtring	Retén	Ref. 9
13	3402928M1	1	Screw, Socket Head - Piston Locating	Vis Tête Hex	Zylinderschraube	Tornillo	
14	3484189M1	1	Piston	Piston	Kolben	Pistón	
15	3007182X1	1	O-Ring	Joint Torique	O-Ring	Junta De Tipo O	
16	359203X1	1	O-Ring	Joint Torique	O-Ring	Junta De Tipo O	
17	367120X1	1	Back-Up Ring	Contre Bague	Stützring	Aro	
18	3487909M1	1	O-Ring	Joint Torique	O-Ring	Junta De Tipo O	
19	3623202M1	1	Bearing	Roulement	Lager	Cojinete	
20	3623193M1	1	Guide Ring	Anneau	Ring	Aro	
21	3443388M1	1	Ring - Back Up	Anneau	Ring	Aro	
22	3443472M1	1	Seal	Joint D´Arbre	Wellendichtring	Junta	
23	3403385M1	1	Wiper Ring	Joint De Racleur	Abstreifdichtung	Junta Raspador	
24	339608X1	1	Grease Nipple - M10 X 1 (Zinc)	Nipple De Graissage	Schmiernippel	Engrasador	
25	3441629M91	1	Piston Rod Assy	Tige De Vérin	Kolbenstange	Vástago Cilindro	
26	#ROD, PISTON	1	Rod, Piston	Rod, Piston	Rod, Piston	Rod, Piston	Ref. 25
27	3484843M1	1	Bush, Hydr. Cylinders	Douille	Buechse	Casquillo	





Item	Part No.	Qty.	English	French	German	Spanish	Remarks
1	6111078M91GY03	1	Cylinder Boom 4.5	Cylindre 4.5m	Zylinder 4.5m	Cilindro 4.5m	
2	6195249M91GY03	1	Tube - S/A (Terex Grey)	Tube - S/A (Terex Grey)	Tube - S/A (Terex Grey)	Tube - S/A (Terex Grey)	
3	6195253M1	4	Bush	Douille	Buchse	Casquillo	
4	6195255M1	2	Grease Nipple	Grease Nipple	Grease Nipple	Grease Nipple	
5	6195235M1	1	Ring - Cushion	Ring - Cushion	Ring - Cushion	Ring - Cushion	
6	6195259M1	2	Bearing - Piston	Bearing - Piston	Bearing - Piston	Bearing - Piston	
7	6195258M1	1	O - Ring	O - Ring	O - Ring	O - Ring	
8	6195257M1	1	Seal - Piston	Seal - Piston	Seal - Piston	Seal - Piston	
9	6195251M1	1	Piston	Piston	Piston	Piston	
10	6195254M1	1	Set Screw - Hex. Socket	Set Screw - Hex. Socket	Set Screw - Hex. Socket	Set Screw - Hex. Socket	
11	6194573M1	1	Wiper	Essuyeur	Wischer	Raspador, Escobilla	
12	6195262M1	1	Seal - Rod (Secondary)	Seal - Rod (Secondary)	Seal - Rod (Secondary)	Seal - Rod (Secondary)	
13	6194575M1	1	Seal - Rod (Primary)	Joint Étanchéité	Dichtring	Junta	
14	6195252M1	1	Cover - H.E.	Cover - H.E.	Cover - H.E.	Cover - H.E.	
15	6195256M1	1	Bush - Bimetal	Bush - Bimetal	Bush - Bimetal	Bush - Bimetal	
16	6195261M1	1	Ring - Back Up	Ring - Back Up	Ring - Back Up	Ring - Back Up	
17	6195260M1	1	O - Ring	O - Ring	O - Ring	O - Ring	
18	6194570M1	1	Ring - Back Up	Contre Bague	Stutzring	ContraJunta	
19	6195247M1	1	O - Ring	O - Ring	O - Ring	O - Ring	
20	6195250M91	1	Piston Rod - S/A	Piston Rod - S/A	Piston Rod - S/A	Piston Rod - S/A	
21	6195263M91	1	Seal Kit	Jeu Etancheite	Dichtringsatz	Juego Retenes	

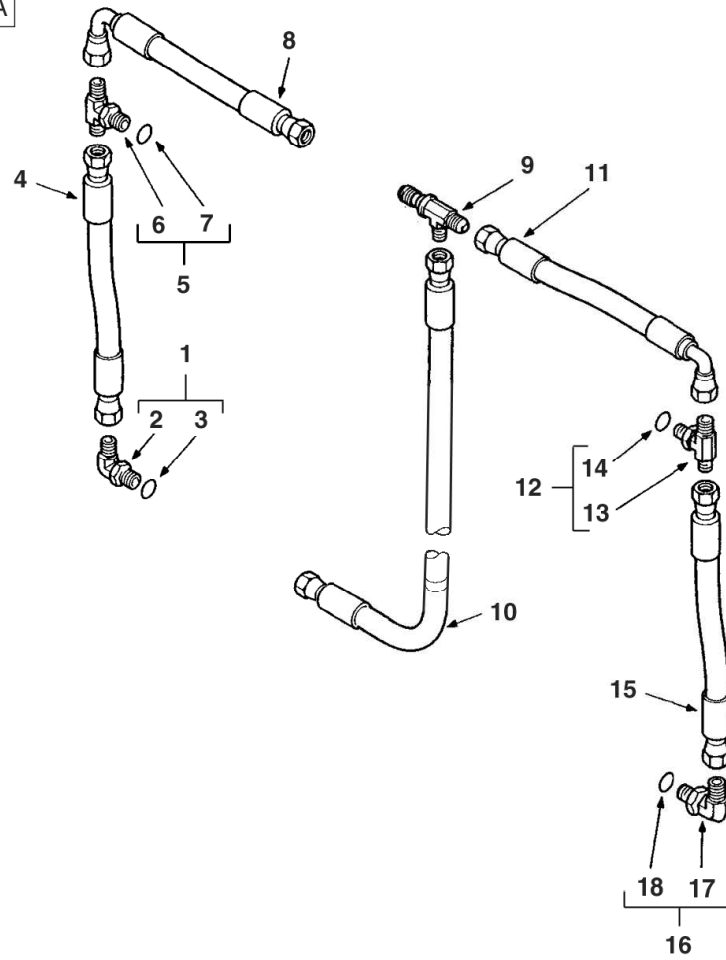
C-76037-07.1-A



Item	Part No.	Qty.	English	French	German	Spanish	Remarks
1	358728X91	1	Tee	Te	T-Stück	Te	
2	#TEE	1	Tee	Tee	Tee	Tee	Ref. 1
3	831497M1	1	O-Ring	Joint Torique	O-Ring	Junta De Tipo O	
4	6100716M91	1	Hose Slew Trsfr	Flexible Ass.	Schlauch Kplt	Flexible, Conj.	
5	6111175M92	1	Tube Assy Slew	Ensemble Tube	Rohr Kpl	Conj.De Tubo	RH Wipro
5	6100589M91	1	Tube Slew Trsf RH	Tuyauterie	Rohrleitung Kplt	Conjunto De Tubería	Pacoma
5	6100587M91	1	Tube Slew Trsf LH	Tuyauterie	Rohrleitung Kplt	Conjunto De Tubería	Pacoma
5	6111174M92	1	Tube Assy Slew	Ensemble Tube	Rohr Kpl	Conj. De Tubo	LH Wipro
6	#TUBE	1	Tube	Tube	Tube	Tube	Ref. 5
7	394923X1	1	O Ring	Joint Torique	O Ring	Junta De Tipo O	
8	357197X91	2	Elbow & O Ring	Coude	Kniestück, 90°	Codo, 90°	
9	#ELBOW	1	Elbow	Elbow	Elbow	Elbow	Ref. 8
10	831452M1	1	O Ring (Pack Of 10)	Joint Torique	O Ring	Junta De Tipo O	
11	6100716M91	1	Hose Slew Trsfr	Flexible Ass.	Schlauch Kplt	Flexible, Conj.	
12	358728X91	1	Tee	Te	T-Stück	Te	
13	#TEE	1	Tee	Tee	Tee	Tee	Ref. 12
14	831497M1	1	O-Ring	Joint Torique	O-Ring	Junta De Tipo O	
15	6107456M91	1	Hose-Iso Ss LH Swing	Flexible Ass.	Schlauch Kplt	Flexible, Conj.	
16	6107455M91	1	Hose-Iso Ss RH Swing	Flexible Ass.	Schlauch Kplt	Flexible, Conj.	
17	3517114M2	2	P - Clip	Collier De Fixation	Befestigungsschelle	Argolla De Fijación	
18	385361X1	2	Washer M8 Hardened	Rondelle M8	Scheibe M8	Arandela	
19	339228X1	2	Bolt, Hex. - M8 X 12 (Coarse)	Boulon M8 X 12	Maschschraube M8	Tornillo	



C-76037-08.1-A

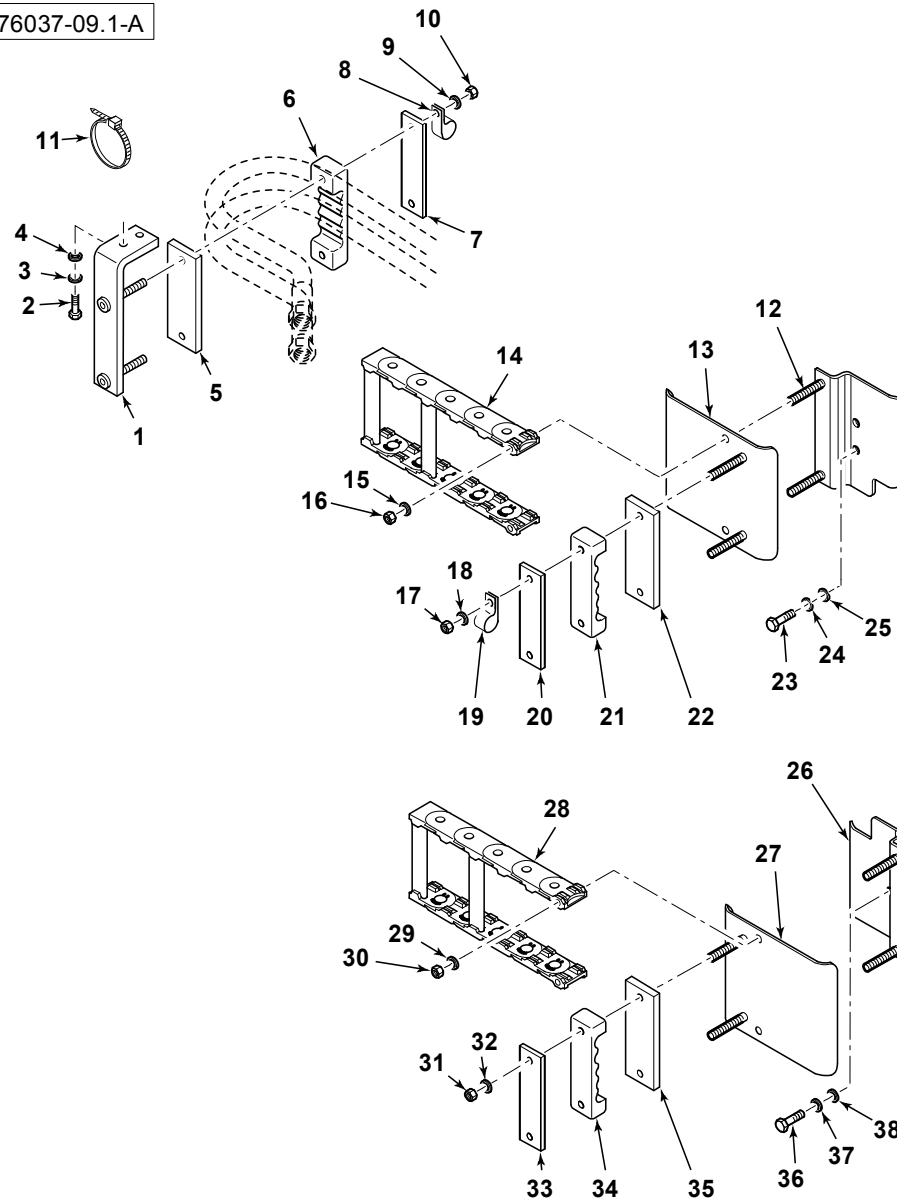




Item	Part No.	Qty.	English	French	German	Spanish	Remarks
1	358761X91	1	Elbow 90 Deg	Coude, 90	Kniestück, 90	Codo, 90°	
2	#ELBOW	1	Elbow	Elbow	Elbow	Elbow	Ref. 1
3	831496M1	1	O-Ring	Joint Torique	O-Ring	Junta De Tipo O	
4	3521882M94	1	Hose-Clamp Elbow/Tee	Flexible Ass.	Schlauch Kplt	Flexible, Conj.	
5	358827X91	1	Tee 1/2 Sae 1/2 Jic	Te	T-Stück	Te	
6	#TEE	1	Tee	Tee	Tee	Tee	Ref. 5
7	831496M1	1	O-Ring	Joint Torique	O-Ring	Junta De Tipo O	
8	3521878M93	1	Hose Sleeved	Flexible Ass.	Schlauch Kplt	Flexible, Conj.	
9	356558X1	1	Tee 7/16 Male	Te	T-Stück	Te	
10	6110207M91	1	Hose Assembly - Clamp	Ensemble De Flexible	Schlauch Kpl.	Flexible, Conj.	
11	3521878M93	1	Hose Sleeved	Flexible Ass.	Schlauch Kplt	Flexible, Conj.	
12	358827X91	1	Tee 1/2 Sae 1/2 Jic	Te	T-Stück	Te	
13	#TEE	1	Tee	Tee	Tee	Tee	Ref. 12
14	831496M1	1	O-Ring	Joint Torique	O-Ring	Junta De Tipo O	
15	3521882M94	1	Hose-Clamp Elbow/Tee	Flexible Ass.	Schlauch Kplt	Flexible, Conj.	
16	358761X91	1	Elbow 90 Deg	Coude, 90	Kniestück, 90	Codo, 90°	
17	#ELBOW	1	Elbow	Elbow	Elbow	Elbow	Ref. 16
18	831496M1	1	O-Ring	Joint Torique	O-Ring	Junta De Tipo O	



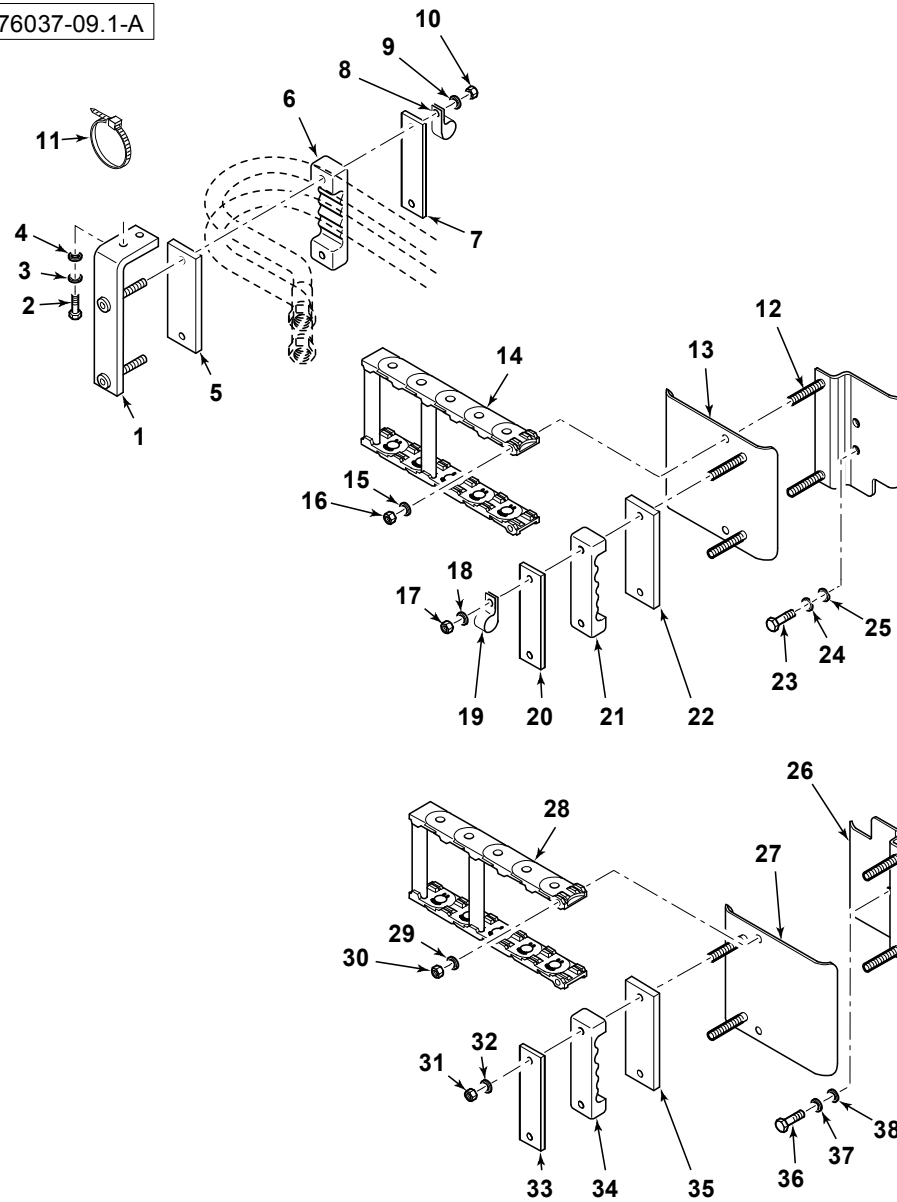
C-76037-09.1-A



Item	Part No.	Qty.	English	French	German	Spanish	Remarks
1	6107934M91	2	Bracket-Clamp	Patte Fixation	Halter	Brida De Fijación	
2	339761X1	4	Bolt M8-25 Z5f	Goupille	Bolzen M8 X 25	Tornillo	
3	390972X1	4	Washer M8-17-1 Zwel	Rondelle M8	Scheibe - M8	Arandela	
4	339374X1	4	Washer M8 -21-2 Z	Rondelle Frein - M8	Federring - M8	Arandela De Freno	
5	6102197M1	2	Pad-Neoprene	Plaque De Caoutchouc	Gummiplatte	Placa, Caucho	
6	6101859M1	1	Clamp-Rh Hose	Collier De Serrage	Schlauchbinder	Argolla De Cierre	
6	6101216M1	1	Clamp-Lh Hose	Collier De Serrage	Schlauchbinder	Argolla De Cierre	
7	6101215M1	2	Plate - Clamp	Plaque	Platte	Placa	
8	515-22159	1	Clip-Coated P	Collier De Serrage	Klemme	Argolla De Fijación	
9	390972X1	4	Washer M8-17-1 Zwel	Rondelle M8	Scheibe - M8	Arandela	
10	394367X1	4	Nut, Hex. - Nyloc, M8	Ecrou Blocage M8	Flachmutter - M8	Tuerca De Retención	
11	1862425M1	1	Tie 385mm T50I	Attache Cable	Kabelbinder	Enlace De Cable	
12	6102307M91	1	Bracket-Rh-W/Assy	Patte Fixation	Halter	Brida De Fijación	
13	6101424M91	1	Plate, Support - Digger Hoses	Ensemble De Plaque	Platte Kpl.	Placa, Conj.	
14	6102199M92	1	Hose Guide - Plastic Chain	Chaîne	Kette	Cadena	
15	390971X1	2	Washer M6-12-1 Zwel	Rondelle - M6	Scheibe - M6	Arandela	
16	1441500X1	2	Nut M6 Z5 Nyloc	Ecrou	Flachmutter M6	Tuerca De Retención	
17	394367X1	2	Nut, Hex. - Nyloc, M8	Ecrou Blocage M8	Flachmutter - M8	Tuerca De Retención	
18	390972X1	2	Washer M8-17-1 Zwel	Rondelle M8	Scheibe - M8	Arandela	
19	515-22159	1	Clip-Coated P	Collier De Serrage	Klemme	Argolla De Fijación	
20	6101215M1	1	Plate - Clamp	Plaque	Platte	Placa	
21	6101859M1	1	Clamp-Rh Hose	Collier De Serrage	Schlauchbinder	Argolla De Cierre	
22	6102197M1	1	Pad-Neoprene	Plaque De Caoutchouc	Gummiplatte	Placa, Caucho	
23	3009492X1	2	Bolt - Hex. M10 X 25	Boulon M10 X 25	Schraube M10 X 25	Tornillo	
24	339376X1	2	Washer M10-18-2 Zsp	Rondelle Frein	Federring	Arandela De Freno	
25	390734X1	2	Washer M10-21-2 Z	Rondelle - M10	Unterlegscheibe	Arandela	
26	6102308M91	1	Bracket-Lh-W/Assy	Patte Fixation	Halter	Brida De Fijación	
27	6101424M91	1	Plate, Support - Digger Hoses	Ensemble De Plaque	Platte Kpl.	Placa, Conj.	
28	6102199M92	1	Hose Guide - Plastic Chain	Chaîne	Kette	Cadena	
29	390971X1	2	Washer M6-12-1 Zwel	Rondelle - M6	Scheibe - M6	Arandela	



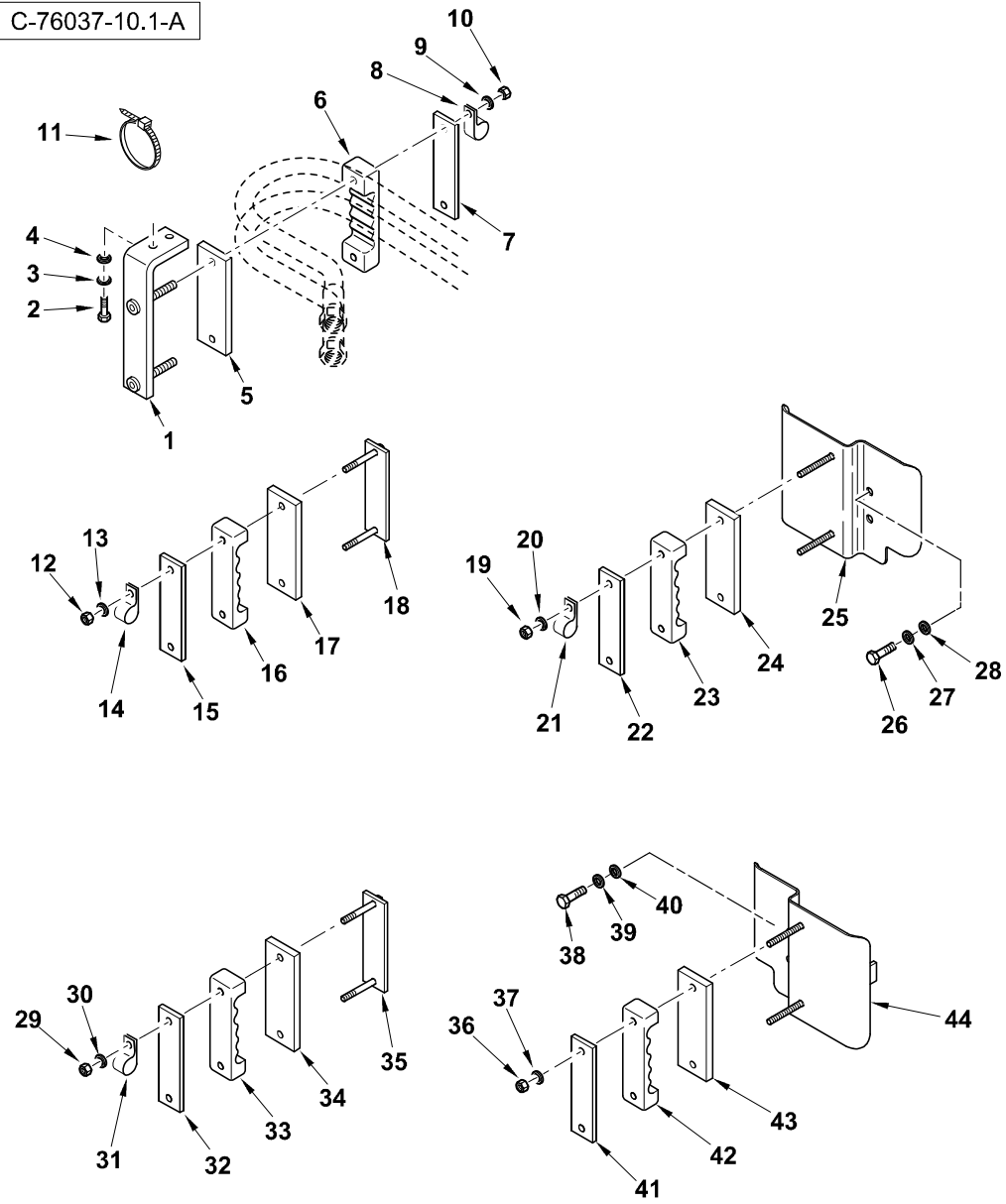
C-76037-09.1-A



Item	Part No.	Qty.	English	French	German	Spanish	Remarks
30	1441500X1	2	Nut M6 Z5 Nyloc	Ecrou	Flachmutter M6	Tuerca De Retención	
31	394367X1	2	Nut, Hex. - Nyloc, M8	Ecrou Blocage M8	Flachmutter - M8	Tuerca De Retención	
32	390972X1	2	Washer M8-17-1 Zwl	Rondelle M8	Scheibe - M8	Arandela	
33	6101215M1	1	Plate - Clamp	Plaque	Platte	Placa	
34	6101216M1	1	Clamp-Lh Hose	Collier De Serrage	Schlauchbinder	Argolla De Cierre	
35	6102197M1	1	Pad-Neoprene	Plaque De Caoutchouc	Gummiplatte	Placa, Caucho	
36	3009492X1	2	Bolt - Hex. M10 X 25	Boulon M10 X 25	Schraube M10 X 25	Tornillo	
37	339376X1	2	Washer M10-18-2 Zsp	Rondelle Frein	Federring	Arandela De Freno	
38	390734X1	2	Washer M10-21-2 Z	Rondelle - M10	Unterlegscheibe	Arandela	



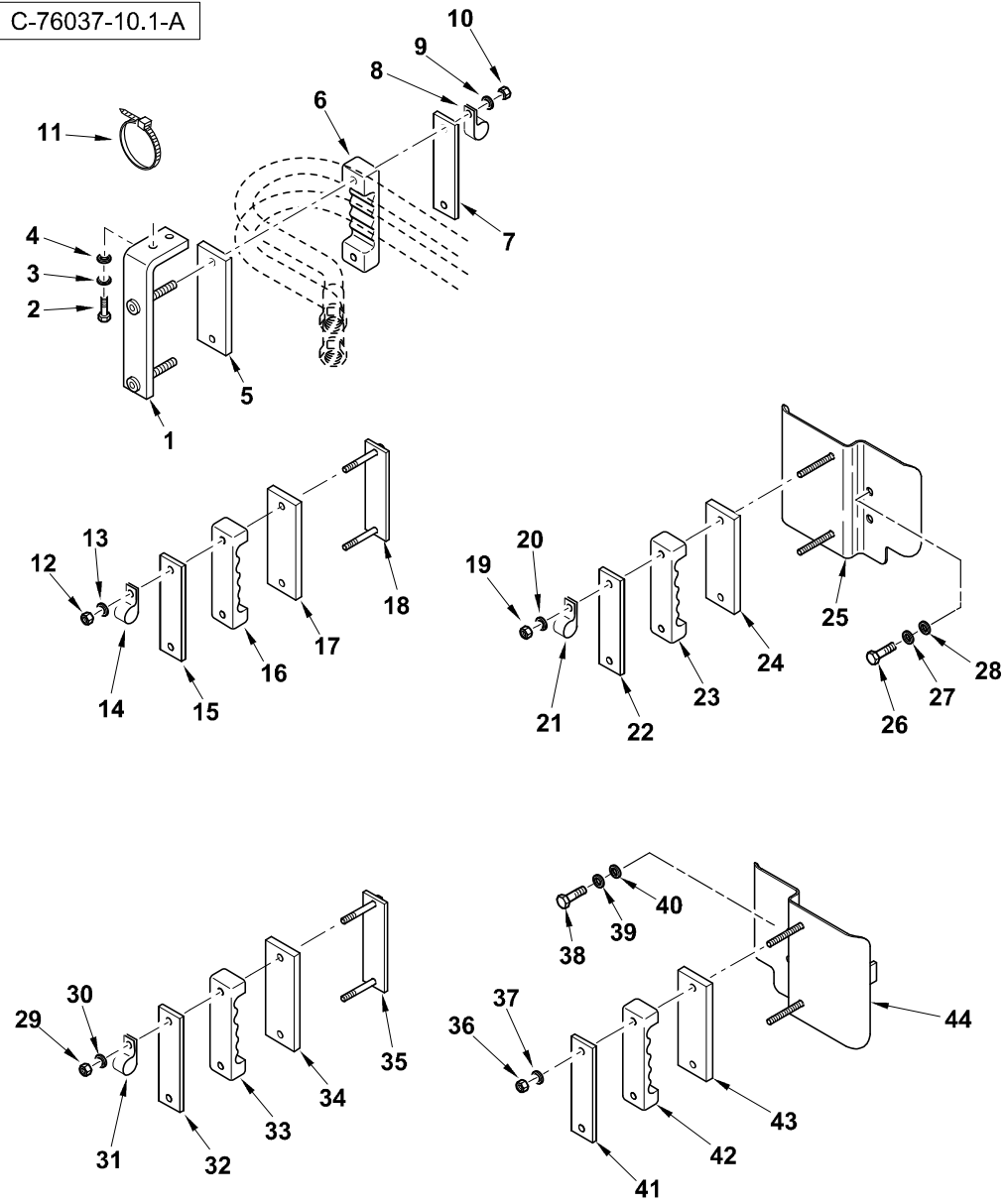
C-76037-10.1-A



Item	Part No.	Qty.	English	French	German	Spanish	Remarks
1	6107934M91	2	Bracket-Clamp	Patte Fixation	Halter	Brida De Fijación	
2	339761X1	4	Bolt M8-25 Z5f	Goupille	Bolzen M8 X 25	Tornillo	
3	390972X1	4	Washer M8-17-1 Zwl	Rondelle M8	Scheibe - M8	Arandela	
4	339374X1	4	Washer M8 -21-2 Z	Rondelle Frein - M8	Federring - M8	Arandela De Freno	
5	6102197M1	2	Pad-Neoprene	Plaque De Caoutchouc	Gummiplatte	Placa, Caucho	
6	6101859M1	1	Clamp-Rh Hose	Collier De Serrage	Schlauchbinder	Argolla De Cierre	
6	6101216M1	1	Clamp-Lh Hose	Collier De Serrage	Schlauchbinder	Argolla De Cierre	
7	6101215M1	2	Plate - Clamp	Plaque	Platte	Placa	
8	515-22159	1	Clip-Coated P	Collier De Serrage	Klemme	Argolla De Fijación	
9	390972X1	4	Washer M8-17-1 Zwl	Rondelle M8	Scheibe - M8	Arandela	
10	394367X1	4	Nut, Hex. - Nyloc, M8	Ecrou Blocage M8	Flachmutter - M8	Tuerca De Retención	
11	1862425M1	1	Tie 385mm T50I	Attache Cable	Kabelbinder	Enlace De Cable	
12	394367X1	2	Nut, Hex. - Nyloc, M8	Ecrou Blocage M8	Flachmutter - M8	Tuerca De Retención	
13	390972X1	2	Washer M8-17-1 Zwl	Rondelle M8	Scheibe - M8	Arandela	
14	515-22159	1	Clip-Coated P	Collier De Serrage	Klemme	Argolla De Fijación	
15	6101215M1	1	Plate - Clamp	Plaque	Platte	Placa	
16	6101859M1	1	Clamp-Rh Hose	Collier De Serrage	Schlauchbinder	Argolla De Cierre	
17	6102197M1	1	Pad-Neoprene	Plaque De Caoutchouc	Gummiplatte	Placa, Caucho	
18	6111437M91	1	Clamp - Hose Plate Assy.	Collier	Halteschelle	Placa, Conj.	
19	394367X1	2	Nut, Hex. - Nyloc, M8	Ecrou Blocage M8	Flachmutter - M8	Tuerca De Retención	
20	390972X1	2	Washer M8-17-1 Zwl	Rondelle M8	Scheibe - M8	Arandela	
21	515-22159	1	Clip-Coated P	Collier De Serrage	Klemme	Argolla De Fijación	
22	6101215M1	1	Plate - Clamp	Plaque	Platte	Placa	
23	6101859M1	1	Clamp-Rh Hose	Collier De Serrage	Schlauchbinder	Argolla De Cierre	
24	6102197M1	1	Pad-Neoprene	Plaque De Caoutchouc	Gummiplatte	Placa, Caucho	
25	6111548M91	1	Bracket- Hose Clamp RH W/A	Support Fixation	Haltearm	Cuchara, Conj.	
26	3009492X1	2	Bolt - Hex. M10 X 25	Boulon M10 X 25	Schraube M10 X 25	Tornillo	
27	339376X1	2	Washer M10-18-2 Zsp	Rondelle Frein	Federring	Arandela De Freno	
28	390734X1	2	Washer M10-21-2 Z	Rondelle - M10	Unterlegscheibe	Arandela	
29	394367X1	2	Nut, Hex. - Nyloc, M8	Ecrou Blocage M8	Flachmutter - M8	Tuerca De Retención	



C-76037-10.1-A

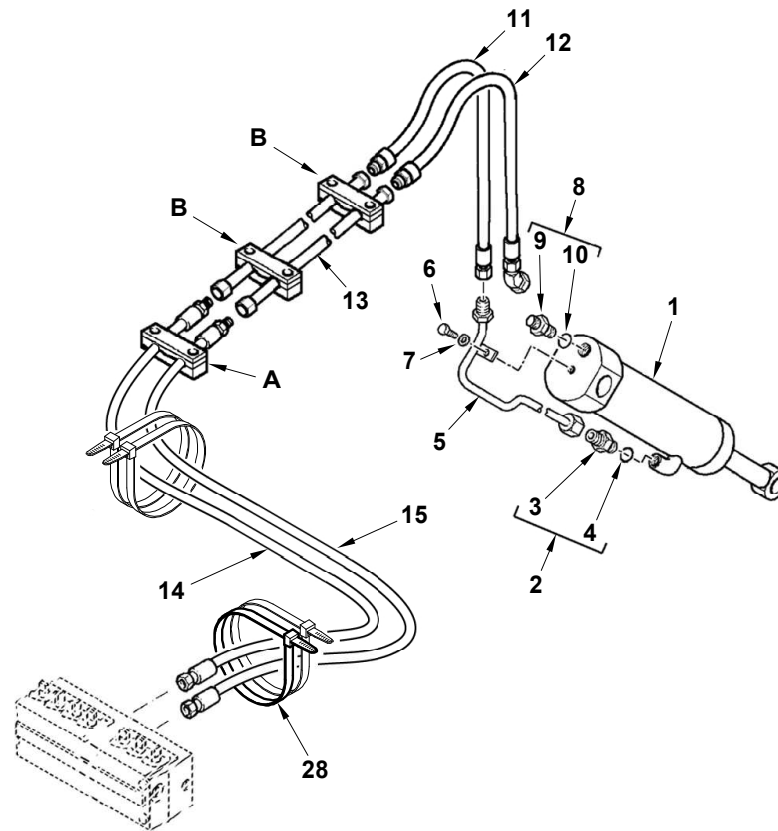
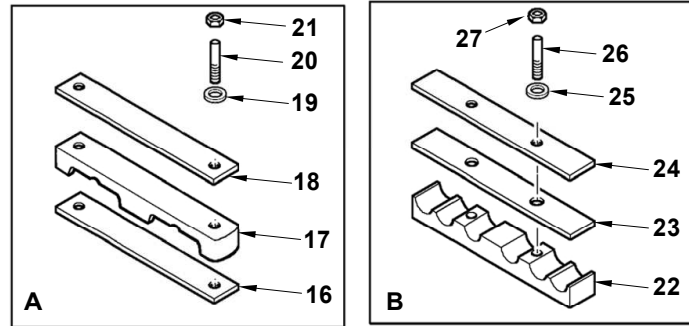




Item	Part No.	Qty.	English	French	German	Spanish	Remarks
30	390972X1	2	Washer M8-17-1 Zwl	Rondelle M8	Scheibe - M8	Arandela	
31	515-22159	1	Clip-Coated P	Collier De Serrage	Klemme	Argolla De Fijación	
32	6101215M1	1	Plate - Clamp	Plaque	Platte	Placa	
33	6101216M1	1	Clamp-Lh Hose	Collier De Serrage	Schlauchbinder	Argolla De Cierre	
34	6102197M1	1	Pad-Neoprene	Plaque De Caoutchouc	Gummiplatte	Placa, Caucho	
35	6111437M91	1	Clamp - Hose Plate Assy.	Collier	Halteschelle	Placa, Conj.	
36	394367X1	2	Nut, Hex. - Nyloc, M8	Ecrou Blocage M8	Flachmutter - M8	Tuerca De Retención	
37	390972X1	2	Washer M8-17-1 Zwl	Rondelle M8	Scheibe - M8	Arandela	
38	3009492X1	2	Bolt - Hex. M10 X 25	Boulon M10 X 25	Schraube M10 X 25	Tornillo	
39	339376X1	2	Washer M10-18-2 Zsp	Rondelle Frein	Federring	Arandela De Freno	
40	390734X1	2	Washer M10-21-2 Z	Rondelle - M10	Unterlegscheibe	Arandela	
41	6101215M1	1	Plate - Clamp	Plaque	Platte	Placa	
42	6101216M1	1	Clamp-Lh Hose	Collier De Serrage	Schlauchbinder	Argolla De Cierre	
43	6102197M1	1	Pad-Neoprene	Plaque De Caoutchouc	Gummiplatte	Placa, Caucho	
44	6111551M91	1	Bracket- Hose Clamp LH W/A	Support Fixation	Haltearm	Cuchara, Conj.	



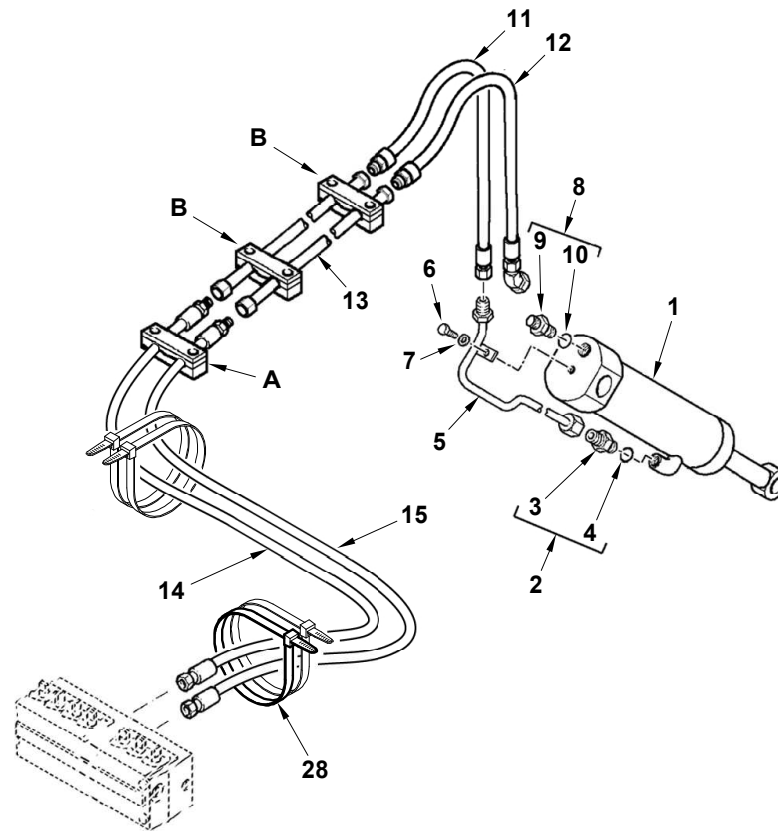
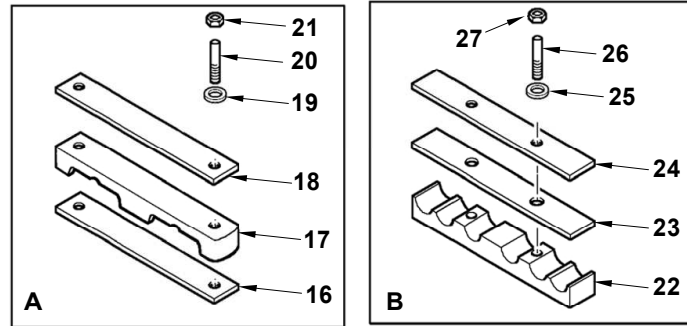
C-76040-01.1-B



Item	Part No.	Qty.	English	French	German	Spanish	Remarks
1	#CYLINDER ASSY	1	Cylinder Assy	Cylinder Assy	Cylinder Assy	Cylinder Assy	76040c02.1 1 76040c02.2 1
2	835013M91	1	Connector 7/8 Jic	Raccord	Schraubanschluss	Conexión, Conj.	
3	#UNION	1	Union	Union	Union	Union	Ref. 2
4	835024M1	1	Ring O - Boa	Joint Torique	O Ring	Junta De Tipo O	
5	6111161M91	1	Tube Assembly - Digger Bucket Cylinder	Tuyauterie	Rohrleitung Kplt	Conjunto De Tubería	Tba Wipro
5	6101540M91	1	Tube Assy Bucket	Tuyauterie	Rohrleitung Kplt	Conjunto De Tubería	Tba Pacoma
6	339123X1	1	Bolt M8-20 Z5f	Boulon M8 X 20	Maschschraube M8	Perno	
7	385361X1	1	Washer M8 Hardened	Rondelle M8	Scheibe M8	Arandela	
8	835013M91	1	Connector 7/8 Jic	Raccord	Schraubanschluss	Conexión, Conj.	
9	#UNION	1	Union	Union	Union	Union	Ref. 8
10	835024M1	1	Ring O - Boa	Joint Torique	O Ring	Junta De Tipo O	
11	6102309M91	1	Hose-Bucket Rod-Std	Flexible Ass.	Schlauch Kplt	Flexible, Conj.	Brown
12	6107024M91	1	Hose-Bucket HD Std	Flexible Ass.	Schlauch Kplt	Flexible, Conj.	White
13	6101771M91	2	Tube-Bucket-4.5m Boom	Tuyauterie	Rohrleitung Kplt	Conjunto De Tubería	Ec05/328
13	6111137M91	2	Tube Assy - Bkt 4.5m Boom	Ensemble Tube	Rohr Kpl	Conjunto De Tubería	Ec05/328
14	6102945M91	1	Hose-Bucket Rod-Brown	Flexible Ass.	Schlauch Kplt	Flexible, Conj.	Brown Ec05/328
14	6111143M91	1	Hose Assy - Bucket Rod (Brown C/Mount)	Ensemble Durit	Schlauch Kpl	Flexible, Conj.	Brown Ec05/328
15	6111144M91	1	Hose Assy- Bucket HD (White Centremount)	Ensemble Durit	Schlauch Kpl	Flexible, Conj.	White Ec05/328
15	6102942M91	1	Hose-Bucket Head-White	Flexible Ass.	Schlauch Kplt	Flexible, Conj.	White Ec05/328
16	6102128M1	1	Pad-Neoprene	Plaque Antidérapante	Zwischenlage	Cinta Antideslizante	
17	6102122M1	1	Clamp	Collier De Serrage	Klemme	Brida De Fijación	
18	6102130M1	1	Plate-Clamp	Plaque	Platte	Placa	
19	390972X1	2	Washer M8-17-1 Zwl	Rondelle M8	Scheibe - M8	Arandela	
20	3516075M1	2	Stud M8-65 Z5	Goujon	Stehbolzen	Espárrago	
21	394367X1	2	Nut, Hex. - Nyloc, M8	Ecrou Blocage M8	Flachmutter - M8	Tuerca De Retención	
22	6102126M1	2	Clamp	Collier De Serrage	Klemme	Brida De Fijación	
23	6102145M1	2	Pad-Neoprene	Plaque Antidérapante	Zwischenlage	Cinta Antideslizante	
24	6102124M1	2	Plate-Top	Plaque	Platte	Placa	
25	390972X1	4	Washer M8-17-1 Zwl	Rondelle M8	Scheibe - M8	Arandela	
26	6108049M1	4	Stud M8	Goujon	Stehbolzen	Espárrago	

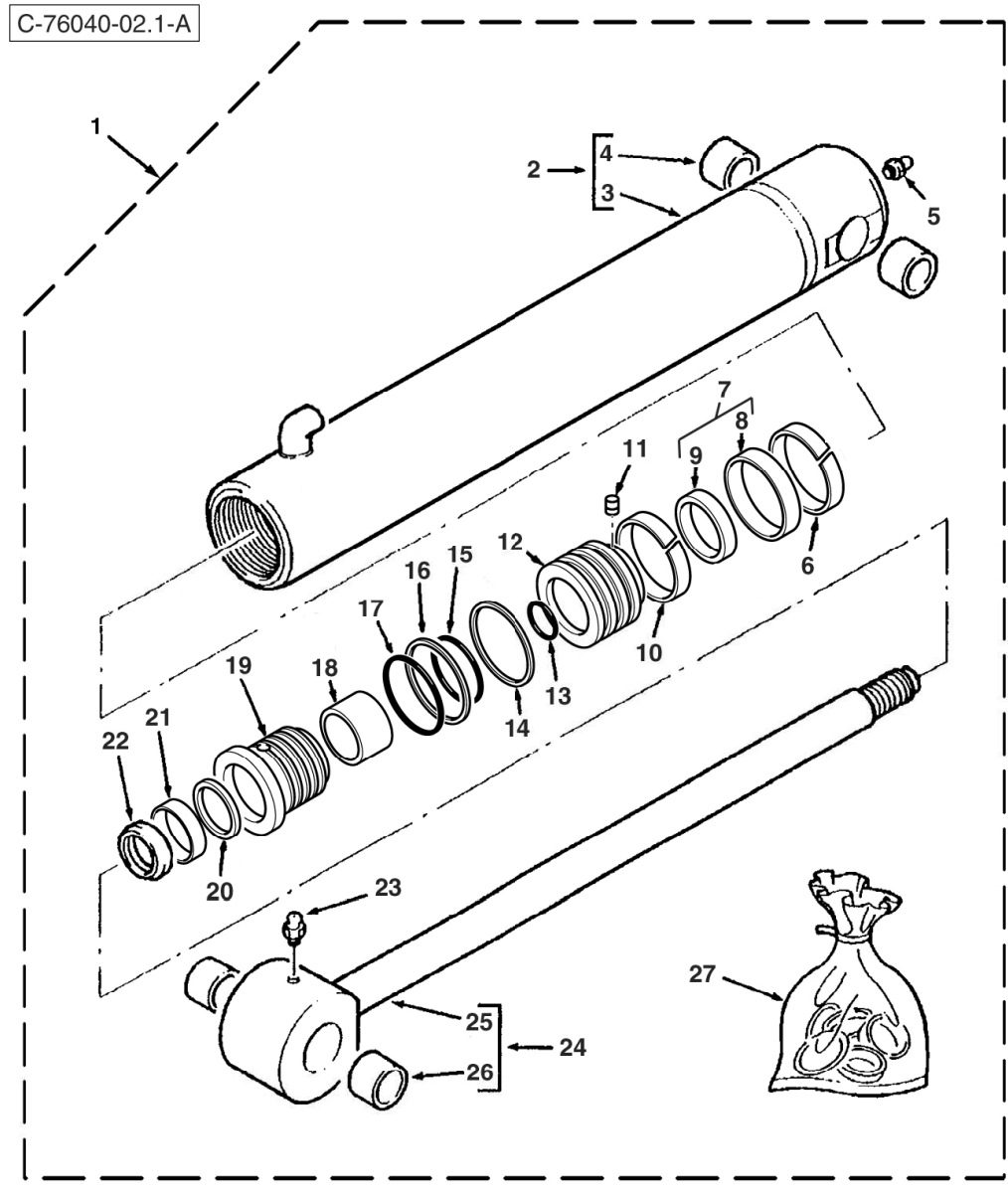


C-76040-01.1-B



<b>Item</b>	<b>Part No.</b>	<b>Qty.</b>	<b>English</b>	<b>French</b>	<b>German</b>	<b>Spanish</b>	<b>Remarks</b>
27	394367X1	4	Nut, Hex. - Nyloc, M8	Ecrou Blocage M8	Flachmutter - M8	Tuerca De Retención	
28	8000-1379	4	Tie Wrap ( 530 X 13mm )	Bride	Buegel	Banda	

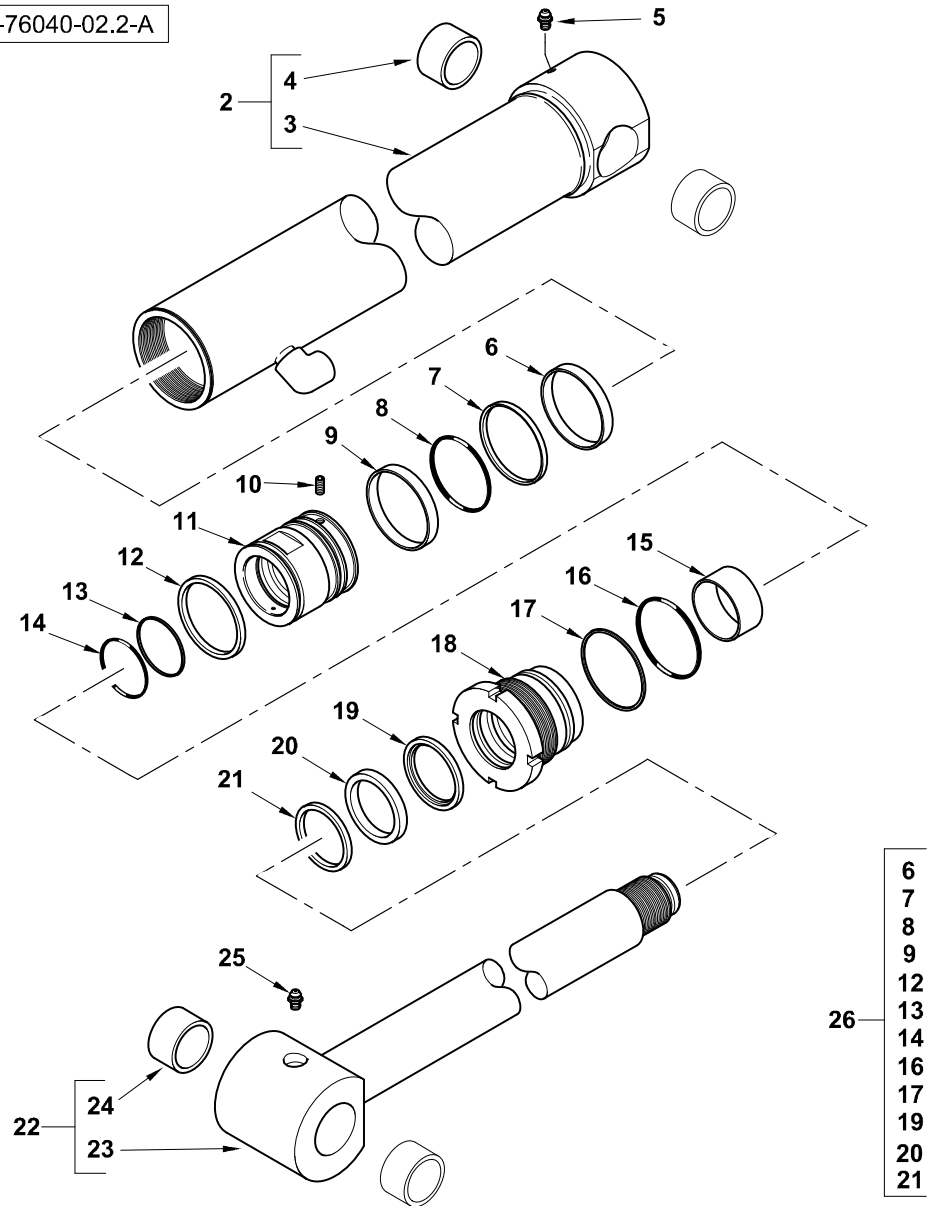




Item	Part No.	Qty.	English	French	German	Spanish	Remarks
1	5000126M91GY02	1	Cylinder Digger Bucket (Benford Grey)	L´Hie Hydraulique	Zylinder Hydr.	Gato, Conj.	Tba [76040c01.1 1]
2	5004008M91	1	Barrel Assy	Cylindre	Zylinder	Cilindro	
3	#TUBE, CYLINDER	1	Tube, Cylinder	Tube, Cylinder	Tube, Cylinder	Tube, Cylinder	Ref. 2
4	#BUSHING	1	Bushing	Douille	Busche	Boccola	
5	339608X1	1	Grease Nipple - M10 X 1 (Zinc)	Nipple De Graissage	Schmiernippel	Engrasador	
6	3485892M1	1	Guide Ring Piston	Bague D´Étanchéité	Dichtungsring	Anillo, Estanqueidad	
7	3485245M91	1	Seal Assy Piston	Joint Ass.	Dichtung Kplt	Junta, Conj.	
8	#SEAL	1	Seal	Joint Étanchéité	Dichtring	Retén	Ref. 7
9	#RING	1	Ring	Anneau	Ring	Aro	Ref. 7
10	3485892M1	1	Guide Ring Piston	Bague D´Étanchéité	Dichtungsring	Anillo, Estanqueidad	
11	3402928M1	1	Screw, Socket Head - Piston Locating	Vis Tête Hex	Zylinderschraube	Tornillo	
12	3623372M1	1	Piston	Piston	Kolben	Pistón	
13	359186X1	1	O-Ring	Joint Torique	O-Ring	Junta De Tipo O	
14	3623061M1	1	Ring Piston	Segment De Piston	Kolbenring	Segmento De Pistón	
15	359193X1	1	O-Ring	Joint Torique	O-Ring	Junta De Tipo O	
16	1606735M1	1	Ring Back-Up	Contre Bague	Stützring	ContraJunta	
17	3487207M1	1	O-Ring	Joint Torique	O-Ring	Junta De Tipo O	
18	3484615M1	1	Guide Ring	Anneau	Ring	Aro	
19	3623371M1	1	Gland - Bucket Cylinder	Presse Étoupe	Stopfbuchse	Cojinete	
20	3484055M1	1	Ring Buffer	Anneau	Ring	Aro	
21	3485185M1	1	Seal	Joint D´Arbre	Wellendichtring	Junta	
22	3487015M1	1	Wiper Ring	Anneau	Ring	Aro	
23	339608X1	1	Grease Nipple - M10 X 1 (Zinc)	Nipple De Graissage	Schmiernippel	Engrasador	
24	5004012M91	1	Piston Rod Assy - Nla	Tige De Vérin	Kolbenstange	Vástago Cilindro	
25	#ROD, PISTON	1	Rod, Piston	Rod, Piston	Rod, Piston	Rod, Piston	Ref. 24
26	#BUSHING	1	Bushing	Douille	Busche	Boccola	
27	3623373M91	1	Kit Seal	Jeu Etancheite	Dichtringsatz	Juego De Juntas	



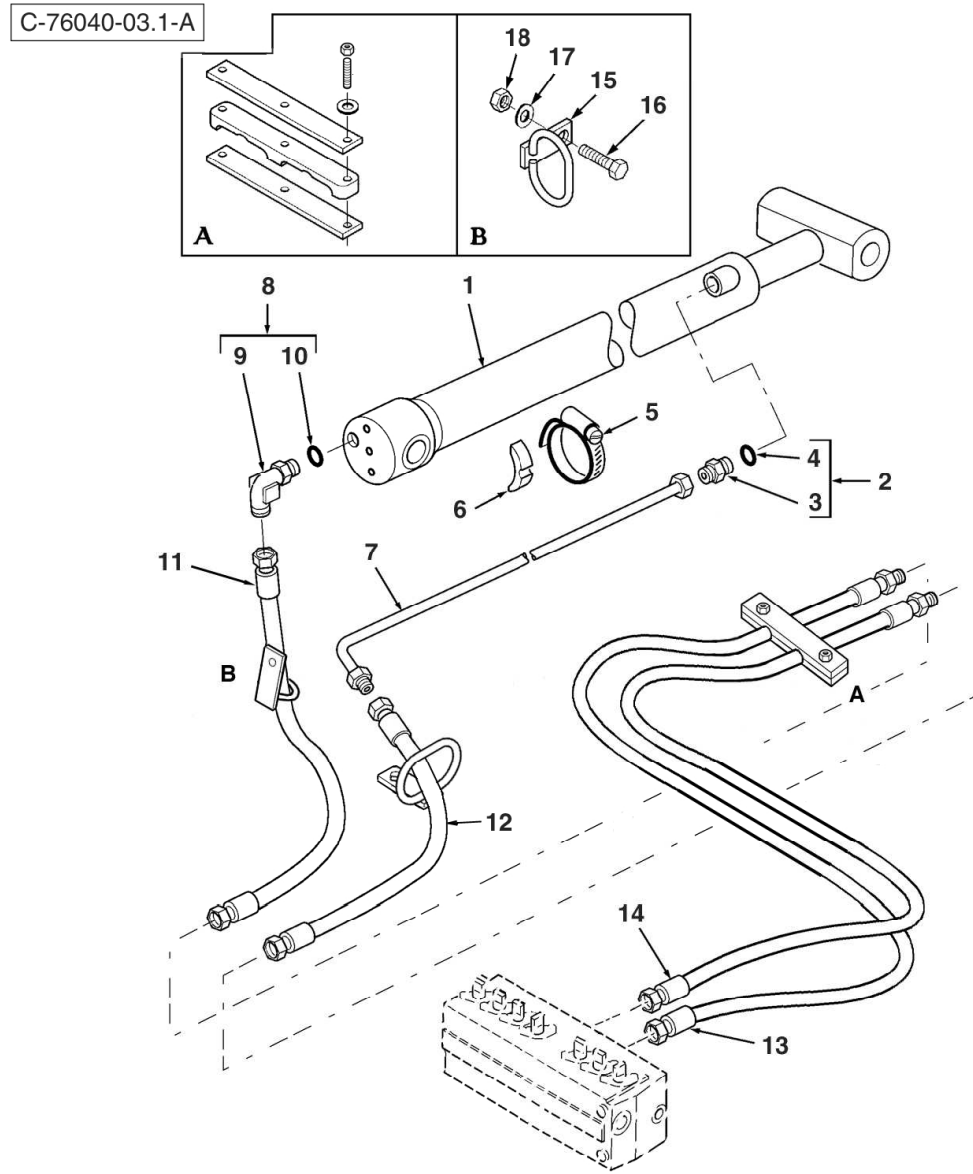
C-76040-02.2-A





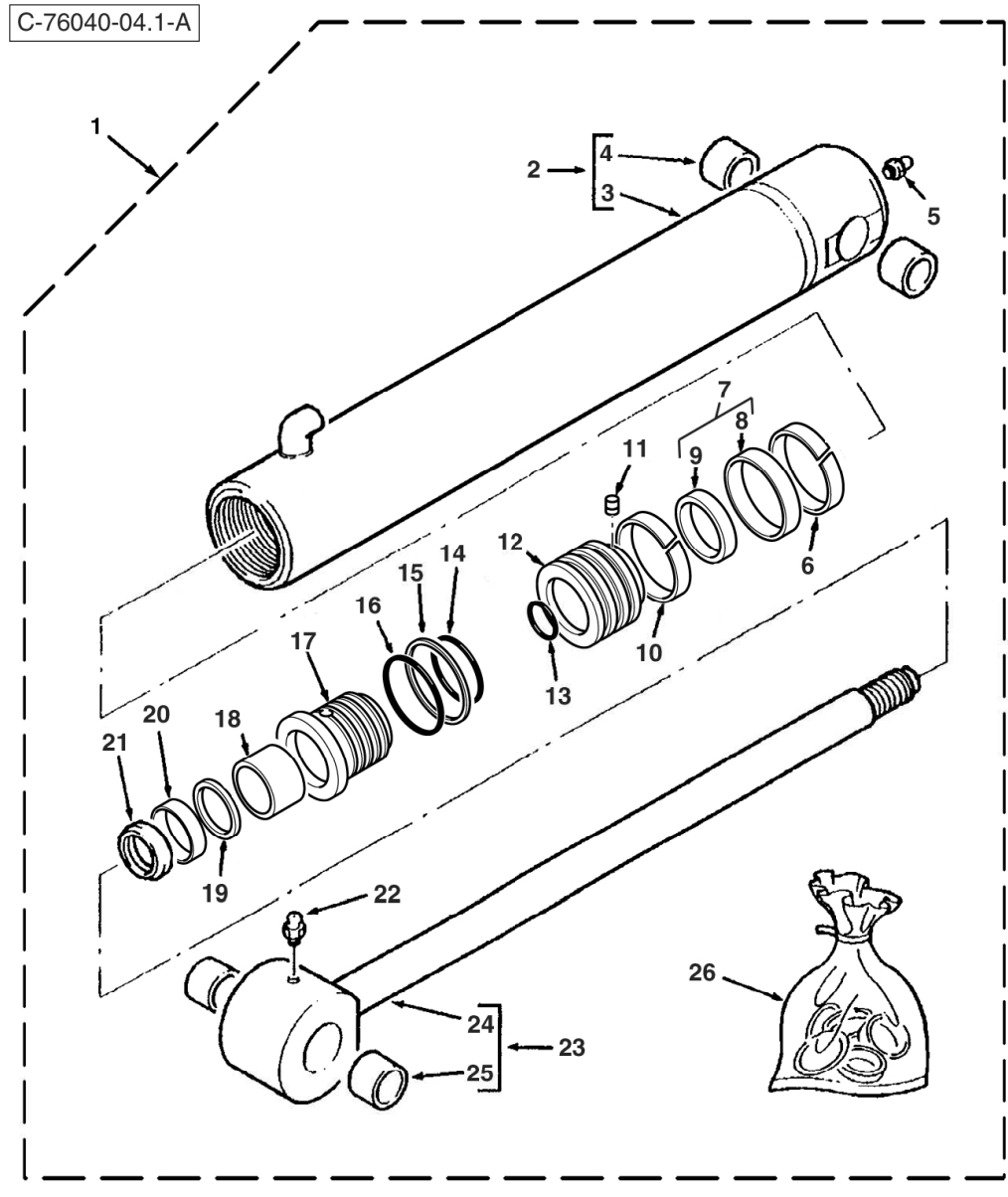
Item	Part No.	Qty.	English	French	German	Spanish	Remarks
1	6111070M91GY03	1	Cylinder- Digger Bucket	Cylindre	Zylinder	Gato, Conj.	Tba [76040c01.1 1]
2	6194629M91	1	Barrel - Cylinder	Corps Cylindre	Zylindergehäuse	Tubo	
3	#TUBE	1	Tube	Tube	Tube	Tube	Ref. 2
4	6194562M1	2	Bush	Douille	Büchse	Casquillo	
5	6194542M1	1	Nipple - Grease	Graisseur Coude	Nippel	Manguito, Engrasador	
6	6194634M1	1	Bearing - Piston	Coussinet	Lager	Teniendo - Pistón	
7	6194635M1	1	Seal - Piston	Joint Étanchéité	Dichtring	Junta	
8	6194636M1	1	O Ring (Std)	Joint Torique	O Ring	Junta De Tipo O	
9	6194634M1	1	Bearing - Piston	Coussinet	Lager	Teniendo - Pistón	
10	6194633M1	1	Set Screw - Hex Socket	Vis Tete Hex	Zylinderschraube	Tornillo De Ajuste	
11	6194631M1	1	Piston	Piston	Kolben	Pistón	
12	6194637M1	1	Ring - Piston	Segment Piston	Kolbenring	Segmento De Pistón	
13	6194625M1	1	Ring - Back Up	Contre Bague	Stutzring	ContraJunta	
14	6194624M1	1	O Ring (Std)	Joint Torique	O Ring	Junta De Tipo O	
15	6194541M1	1	Bush - Bimetal	Douille	Büchse	Juego De Anillos	
16	6194640M1	1	O Ring (Std)	Joint Torique	O Ring	Junta De Tipo O	
17	6194641M1	1	Ring - Back Up	Contre Bague	Stutzring	ContraJunta	
18	6194632M1	1	End Cover - Head	Couvercle	Deckel	Tapa	
19	6194638M1	1	Seal - Rod (Primary)	Joint Étanchéité	Dichtring	Junta	
20	6194639M1	1	Seal- Rod (Secondary)	Joint Étanchéité	Dichtring	Junta	
21	6194554M1	1	Wiper	Essuyeur	Wischer	Raspador, Escobilla	
22	6194630M91	1	Rod - Piston	Bielle De Piston	Pleuelstange	Rod - Pistón	
23	#ROD	1	Rod	Rod	Rod	Rod	Ref. 22
24	6194562M1	2	Bush	Douille	Büchse	Casquillo	
25	6194542M1	1	Nipple - Grease	Graisseur Coude	Nippel	Manguito, Engrasador	
26	6194642M91	0	Seal Kit	Jeu Etancheite	Dichtringsatz	Juego De Juntas	





Item	Part No.	Qty.	English	French	German	Spanish	Remarks
1	#CYLINDER ASSY	1	Cylinder Assy	Cylinder Assy	Cylinder Assy	Cylinder Assy	76040c04.1 1 76040c04.2 1
2	835013M91	1	Connector 7/8 Jic	Raccord	Schraubanschluss	Conexión, Conj.	
3	#UNION	1	Union	Union	Union	Union	Ref. 2
4	835024M1	1	Ring O - Boa	Joint Torique	O Ring	Junta De Tipo O	
5	3517733M1	1	Clamp Hose 130-150	Collier De Serrage	Schlauchbinder	Argolla De Cierre	
6	D142787	1	Saddle (See 142787d)	Selle	Sattel	Bloque De Caucho	
7	6111162M91	1	Tube Assembly - Dipper Cylinder	Tuyauterie	Rohrleitung Kplt	Conjunto De Tubería	Tba Wipro
7	6100976M92	1	Tube Assy. - Dipperstick Cylinder	Tuyauterie	Rohrleitung Kplt	Conjunto De Tubería	Tba Pacoma
8	6101624M91	1	Elbow 90deg-Long	Coude À 90°	Winkelstuck	Codo, 90°	
9	#ELBOW	1	Elbow	Elbow	Elbow	Elbow	Ref. 8
10	835024M1	1	Ring O - Boa	Joint Torique	O Ring	Junta De Tipo O	
11	6101738M91	1	Hose-Dipper Head	Flexible Ass.	Schlauch Kplt	Flexible, Conj.	Yellow
12	6101737M91	1	Hose-Dipper Rod	Flexible Ass.	Schlauch Kplt	Flexible, Conj.	Red
13	6102941M91	1	Hose-Dipper Head-Yellow	Flexible Ass.	Schlauch Kplt	Flexible, Conj.	Yellow
14	6102944M91	1	Hose-Dipper Rod	Flexible Ass.	Schlauch Kplt	Flexible, Conj.	Red
15	6101491M92	2	Hose Hoop Assy	Ensemble De Support	Haltevorrichtung Kpl.	Apoyadero, Conj.	
16	339761X1	2	Bolt M8-25 Z5f	Goupille	Bolzen M8 X 25	Tornillo	
17	390972X1	2	Washer M8-17-1 Zwel	Rondelle M8	Scheibe - M8	Arandela	
18	394367X1	2	Nut, Hex. - Nyloc, M8	Ecrou Blocage M8	Flachmutter - M8	Tuerca De Retención	

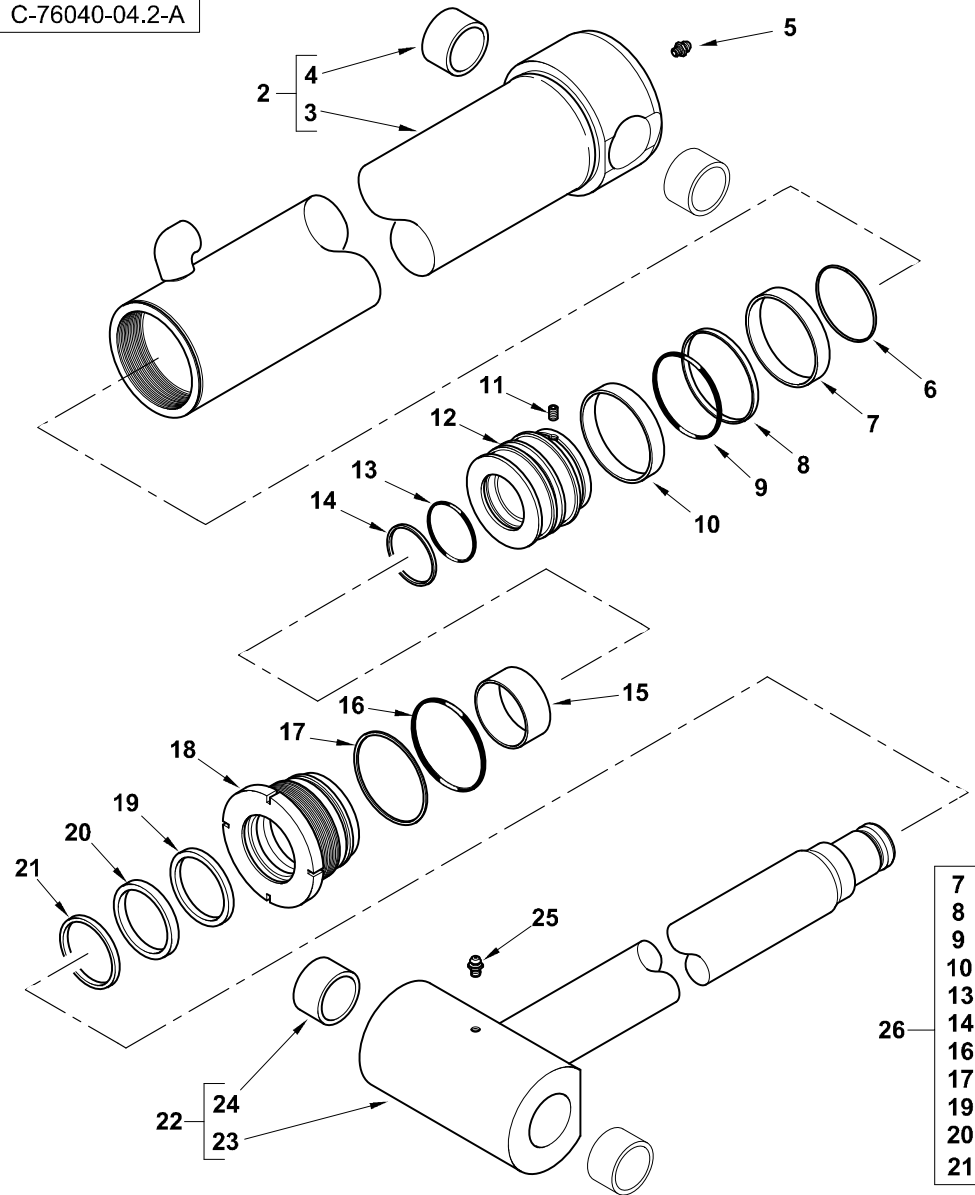




Item	Part No.	Qty.	English	French	German	Spanish	Remarks
1	5000124M91GY02	1	Cylinder Dipperstick (Benford Grey)	L´Hie Hydraulique	Zylinder Hydr.	Gato, Conj.	Tba [76040c03.1 1]
2	5003982M91	1	Barrel Assy. - Dipper Cylinder	Corps Cylindre	Zylindergehäuse	Cilindro	
3	#TUBE, CYLINDER	1	Tube, Cylinder	Tube, Cylindre	Tube, Cylinder	Tube, Cylinder	Ref. 2
4	3484843M1	1	Bush, Hydr. Cylinders	Douille	Buechse	Casquillo	
5	339608X1	1	Grease Nipple - M10 X 1 (Zinc)	Nipple De Graissage	Schmiernippel	Engrasador	
6	3485891M1	1	Guide Ring Piston	Anneau	Ring	Aro	
7	3485247M91	1	Seal Piston	Joint	Dichtung	Junta, Conj.	
8	#SEAL	1	Seal	Joint Étanchéité	Dichtring	Retén	Ref. 7
9	#RING	1	Ring	Anneau	Ring	Aro	Ref. 7
10	3485891M1	1	Guide Ring Piston	Anneau	Ring	Aro	
11	3402928M1	1	Screw, Socket Head - Piston Locating	Vis Tête Hex	Zylinderschraube	Tornillo	
12	5003989M1	1	Piston	Piston	Kolben	Pistón	
13	3007182X1	1	O-Ring	Joint Torique	O-Ring	Junta De Tipo O	
14	359196X1	1	O Ring	Joint Torique	O Ring	Junta De Tipo O	
15	378545X1	1	Ring - Backup	Contre Bague	Stutzring	Aro	
16	3487908M1	1	O Ring, Hydr. Cylinder	Joint Torique	O Ring	Junta De Tipo O	
17	5003988M1	1	Bearing Cylinder	Roulement	Lager	Cojinete	
18	3623193M1	1	Guide Ring	Anneau	Ring	Aro	
19	3443388M1	1	Ring - Back Up	Anneau	Ring	Aro	
20	3443472M1	1	Seal	Joint D´Arbre	Wellendichtring	Junta	
21	3403385M1	1	Wiper Ring	Joint De Racleur	Abstreifdichtung	Junta Raspador	
22	339608X1	1	Grease Nipple - M10 X 1 (Zinc)	Nipple De Graissage	Schmiernippel	Engrasador	
23	5003985M91	1	Piston Rod Assy	Tige De Vérin	Kolbenstange	Vástago Cilindro	
24	#ROD, PISTON	1	Rod, Piston	Rod, Piston	Rod, Piston	Rod, Piston	Ref. 23
25	3484843M1	1	Bush, Hydr. Cylinders	Douille	Buechse	Casquillo	
26	5004401M91	1	Kit Seal	Jeu Étanchéité	Dichtringsatz	Juego De Juntas	



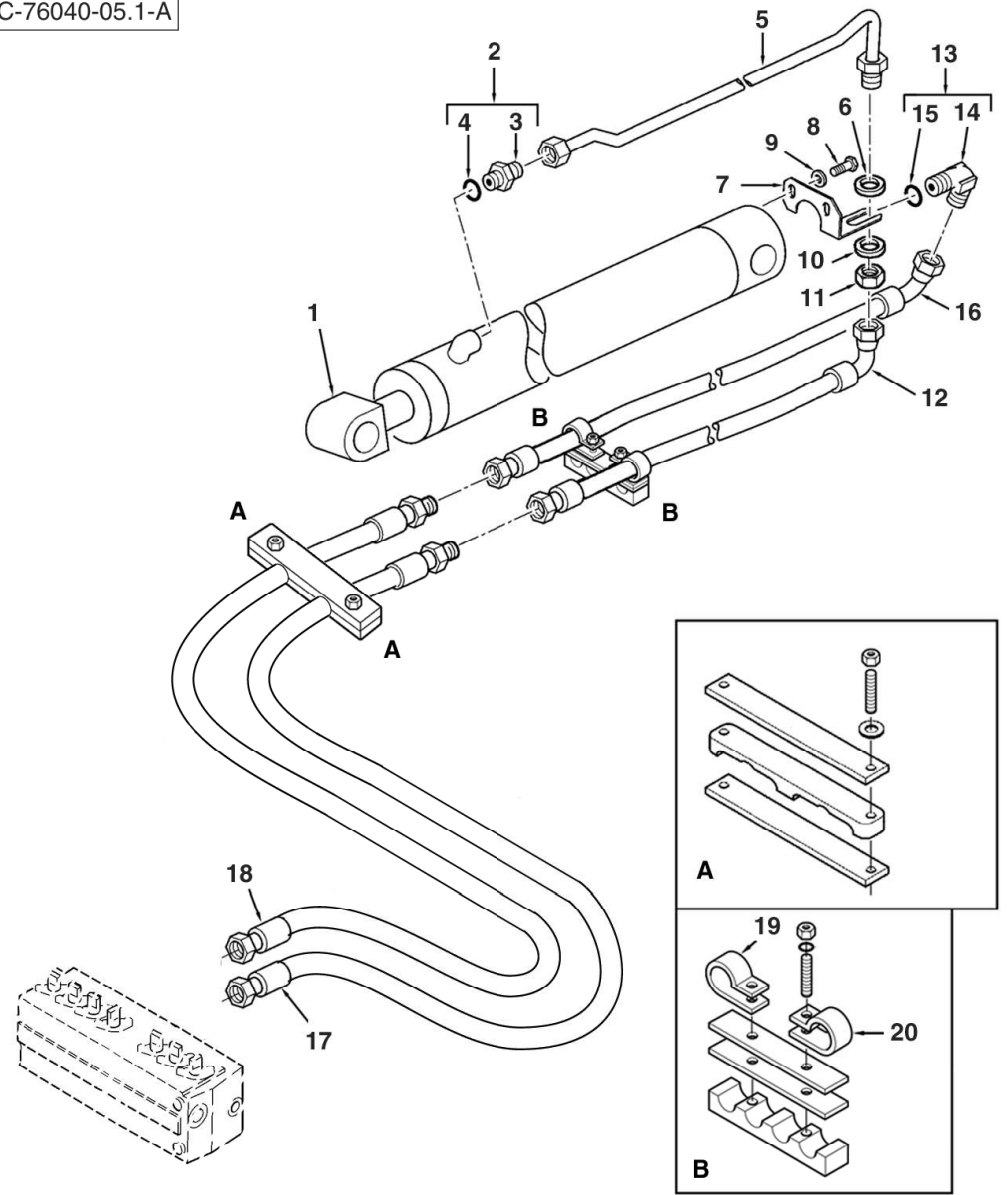
C-76040-04.2-A



Item	Part No.	Qty.	English	French	German	Spanish	Remarks
1	6111069M91GY03	1	Cylinder - Dipperstick	Cylindre	Zylinder	Gato, Conj.	Tba [76040c03.1 1]
2	6194615M91	1	Barrel - Cylinder	Corps Cylindre	Zylindergehäuse	Conjunto De Tubería	
3	#TUBE	1	Tube	Tube	Tube	Tube	Ref. 2
4	6194562M1	2	Bush	Douille	Büchse	Casquillo	
5	6194542M1	1	Nipple - Grease	Graisseur Coude	Nippel	Manguito, Engrasador	
6	6194620M1	1	Ring - Snap	Fermeoir	Sprengring	Anillo De Resorte	
7	6194621M1	1	Bearing - Piston	Coussinet	Lager	Teniendo - Pistón	
8	6194622M1	1	Seal - Piston	Joint Étanchéité	Dichtring	Junta	
9	6194623M1	1	O Ring (Std)	Joint Torique	O Ring	Junta De Tipo O	
10	6194621M1	1	Bearing - Piston	Coussinet	Lager	Teniendo - Pistón	
11	6194619M1	1	Set Screw	Vis	Schraube	Tornillo De Ajuste	
12	6194617M1	1	Piston	Piston	Kolben	Pistón	
13	6194624M1	1	O Ring (Std)	Joint Torique	O Ring	Junta De Tipo O	
14	6194625M1	1	Ring - Back Up	Contre Bague	Stutzring	ContraJunta	
15	6194565M1	1	Bush - Bimetal	Douille	Büchse	Juego De Anillos	
16	6194626M1	1	O Ring (Std)	Joint Torique	O Ring	Junta De Tipo O	
17	6194627M1	1	Ring - Back Up	Contre Bague	Stutzring	ContraJunta	
18	6194618M1	1	End Cover - Head	Couvercle	Deckel	Tapa	
19	6194575M1	1	Seal - Rod (Primary)	Joint Étanchéité	Dichtring	Junta	
20	6194576M1	1	Seal- Rod (Secondary)	Joint Étanchéité	Dichtring	Junta	
21	6194573M1	1	Wiper	Essuyeur	Wischer	Raspador, Escobilla	
22	6194616M91	1	Rod - Piston	Bielle De Piston	Pleuelstange	Rod - Pistón	
23	#ROD	1	Rod	Rod	Rod	Rod	Ref. 22
24	6194562M1	2	Bush	Douille	Büchse	Casquillo	
25	6194542M1	1	Nipple - Grease	Graisseur Coude	Nippel	Manguito, Engrasador	
26	6194628M91	0	Seal Kit	Jeu Etancheite	Dichtringsatz	Juego De Juntas	



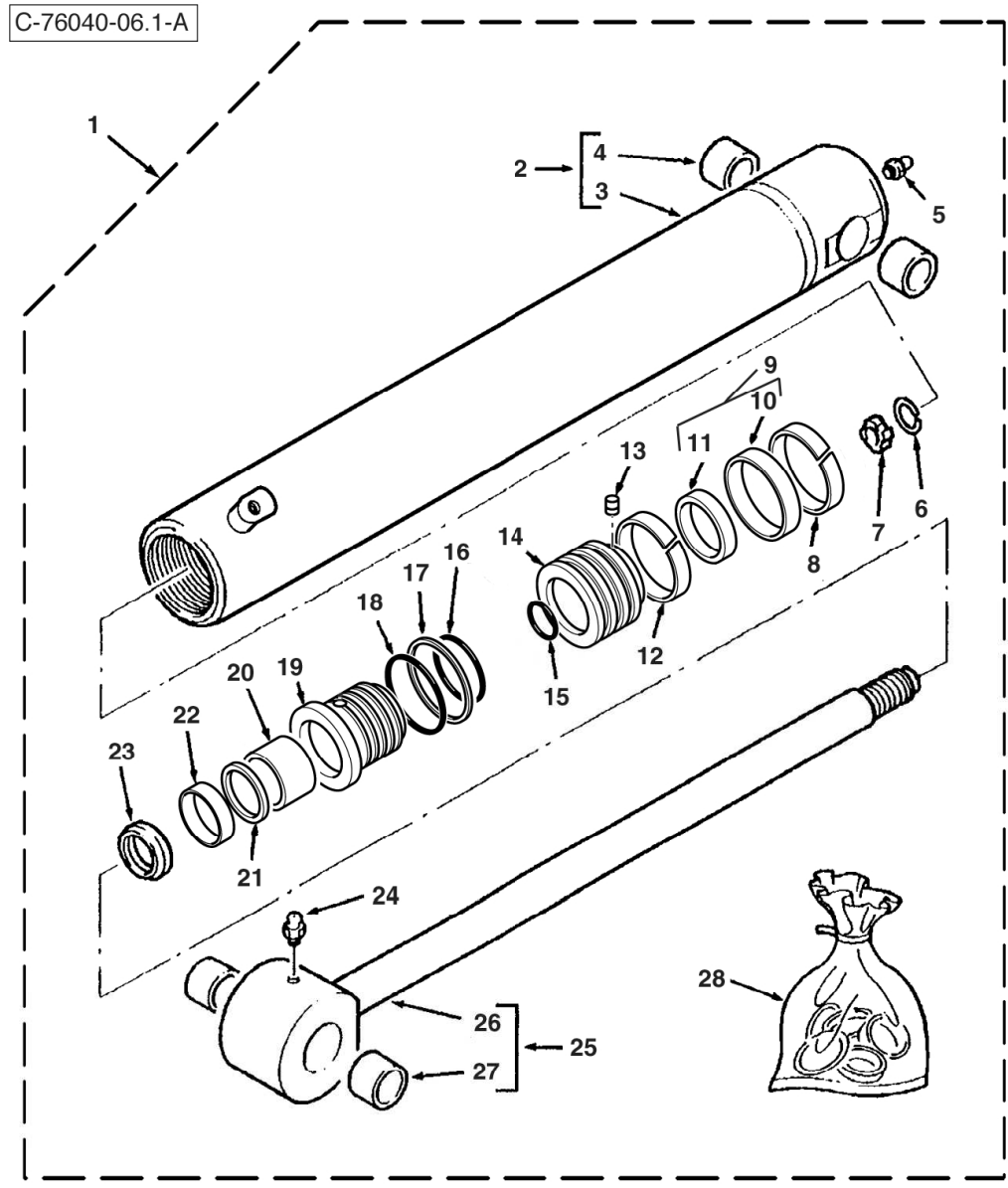
C-76040-05.1-A





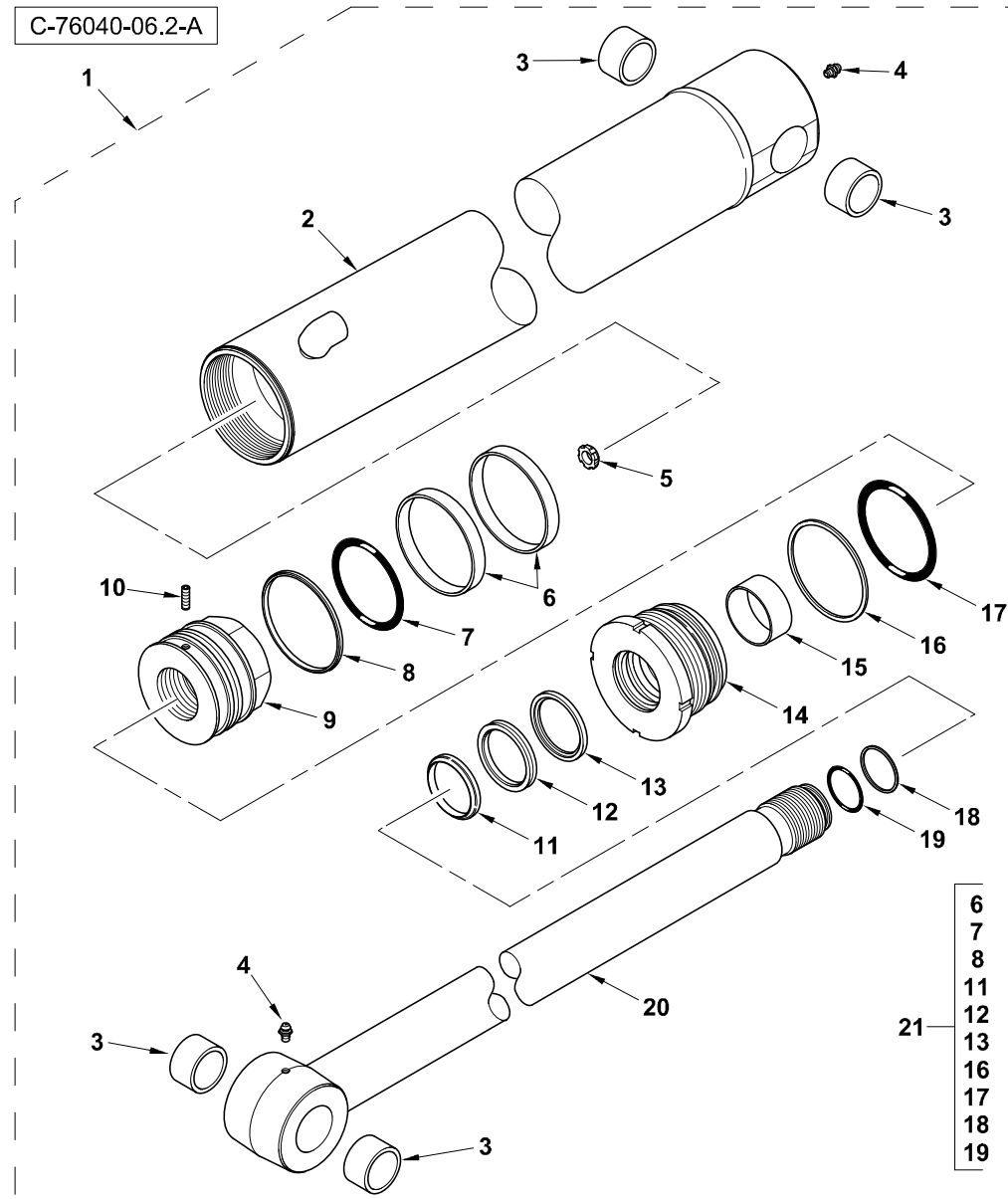
Item	Part No.	Qty.	English	French	German	Spanish	Remarks
1	6111078M91GY03	1	Cylinder Boom 4.5	Cylindre 4.5m	Zylinder 4.5m	Cilindro 4.5m	Wipro
1	5000122M91	1	Cylinder 4.5m B00m - Hi Spec	L' Hie Hydraulique	Zylinder Hydr.	Gato, Conj.	Pacoma
2	835013M91	1	Connector 7/8 Jic	Raccord	Schraubanschluss	Conexión, Conj.	
3	#UNION	1	Union	Union	Union	Union	Ref. 2
4	835024M1	1	Ring O - Boa	Joint Torique	O Ring	Junta De Tipo O	
5	6100855M91	1	Tube-Cylinder-4.5 Boom	Tuyauterie	Rohrleitung Kplt	Conjunto De Tubería	Pacoma
5	6111166M91	1	Tube Assembly - Boom Cylinder 4.5m	Tuyauterie	Rohrleitung Kplt	Conjunto De Tubería	Wipro
6	353763X1	1	Washer	Rondelle	Scheibe	Arandela	
7	6100883M1	1	Bracket-Cylinder-Boom	Patte Fixation	Halter	Pata De Fijación	
8	339228X1	2	Bolt, Hex. - M8 X 12 (Coarse)	Boulon M8 X 12	Maschschraube M8	Tornillo	
9	339374X1	2	Washer M8 -21-2 Z	Rondelle Frein - M8	Federring - M8	Arandela De Freno	
10	353763X1	1	Washer	Rondelle	Scheibe	Arandela	
11	355574X1	1	Nut, Hex. - 7/8" Unf, Lock	Ecrou 7/8" Unf	Mutter 7/8" Unf	Tuerca	
12	6101735M92	1	Hose-Boom Cyl Rod	Flexible Ass.	Schlauch Kplt	Flexible, Conj.	Orange
13	835007M91	1	Elbow 90 Degree Adjust	Coude 90°	Kniestück 90°	Codo, 90°	
14	#ELBOW	1	Elbow	Elbow	Elbow	Elbow	Ref. 13
15	835024M1	1	Ring O - Boa	Joint Torique	O Ring	Junta De Tipo O	
16	6101736M92	1	Hose, "Blue" - Boom Cylinder Feed	Flexible	Schlauch	Flexible, Conj.	Blue
17	6102943M91	1	Hose-Boom Rod-Orange	Flexible Ass.	Schlauch Kplt	Flexible, Conj.	Orange
18	6102940M91	1	Hose-Boom Head-Blue	Flexible Ass.	Schlauch Kplt	Flexible, Conj.	Blue
19	515-23270	1	Clip-Coated P	Clip	Klips	Clip	
20	515-23206	1	P Clip Bsr081hs	Bride Pour Tutaux	Schlauchschelle	Abrazadera De Manguera	





Item	Part No.	Qty.	English	French	German	Spanish	Remarks
1	5000122M91	1	Cylinder 4.5m B00m - Hi Spec	L´Hie Hydraulique	Zylinder Hydr.	Gato, Conj.	76040c05.1 1
2	5003912M91	1	Barrel Assy	Cylindre	Zylinder	Cilindro	
3	#TUBE, CYLINDER	1	Tube, Cylinder	Tube, Cylinder	Tube, Cylinder	Tube, Cylinder	Ref. 2
4	#BUSHING	2	Bushing	Douille	Busche	Boccola	
5	339608X1	1	Grease Nipple - M10 X 1 (Zinc)	Nipple De Graissage	Schmiernippel	Engrasador	
6	1609899M1	1	Snap Ring	Anneau D´Arrêt	Sprengring	Anillo De Resorte	
7	1609328M1	1	Ring Cushioning	Anneau	Ring	Aro	
8	3403852M1	1	Ring, Guide - Piston	Anneau	Ring	Aro	
9	3485213M91	1	Seal Piston	Joint	Dichtung	Junta, Conj.	
10	#SEAL	1	Seal	Joint Étanchéité	Dichtring	Retén	Ref. 9
11	#SEAL	1	Seal	Joint Étanchéité	Dichtring	Retén	Ref. 9
12	3403852M1	1	Ring, Guide - Piston	Anneau	Ring	Aro	
13	3402928M1	1	Screw, Socket Head - Piston Locating	Vis Tête Hex	Zylinderschraube	Tornillo	
14	3484189M1	1	Piston	Piston	Kolben	Pistón	
15	3007182X1	1	O-Ring	Joint Torique	O-Ring	Junta De Tipo O	
16	359203X1	1	O-Ring	Joint Torique	O-Ring	Junta De Tipo O	
17	367120X1	1	Back-Up Ring	Contre Bague	Stützring	Aro	
18	3487909M1	1	O-Ring	Joint Torique	O-Ring	Junta De Tipo O	
19	3623202M1	1	Bearing	Roulement	Lager	Cojinete	
20	3623193M1	1	Guide Ring	Anneau	Ring	Aro	
21	3443388M1	1	Ring - Back Up	Anneau	Ring	Aro	
22	3443472M1	1	Seal	Joint D´Arbre	Wellendichtring	Junta	
23	3403385M1	1	Wiper Ring	Joint De Racleur	Abstreifdichtung	Junta Raspador	
24	339608X1	1	Grease Nipple - M10 X 1 (Zinc)	Nipple De Graissage	Schmiernippel	Engrasador	
25	3441629M91	1	Piston Rod Assy	Tige De Vérin	Kolbenstange	Vástago Cilindro	
26	#ROD, PISTON	1	Rod, Piston	Rod, Piston	Rod, Piston	Rod, Piston	Ref. 25
27	3484843M1	1	Bush, Hydr. Cylinders	Douille	Buechse	Casquillo	
28	3623589M91	1	Kit, Seal - Hydraulic Cylinder	Jeu Etancheite	Dichtringsatz	Juego De Juntas	

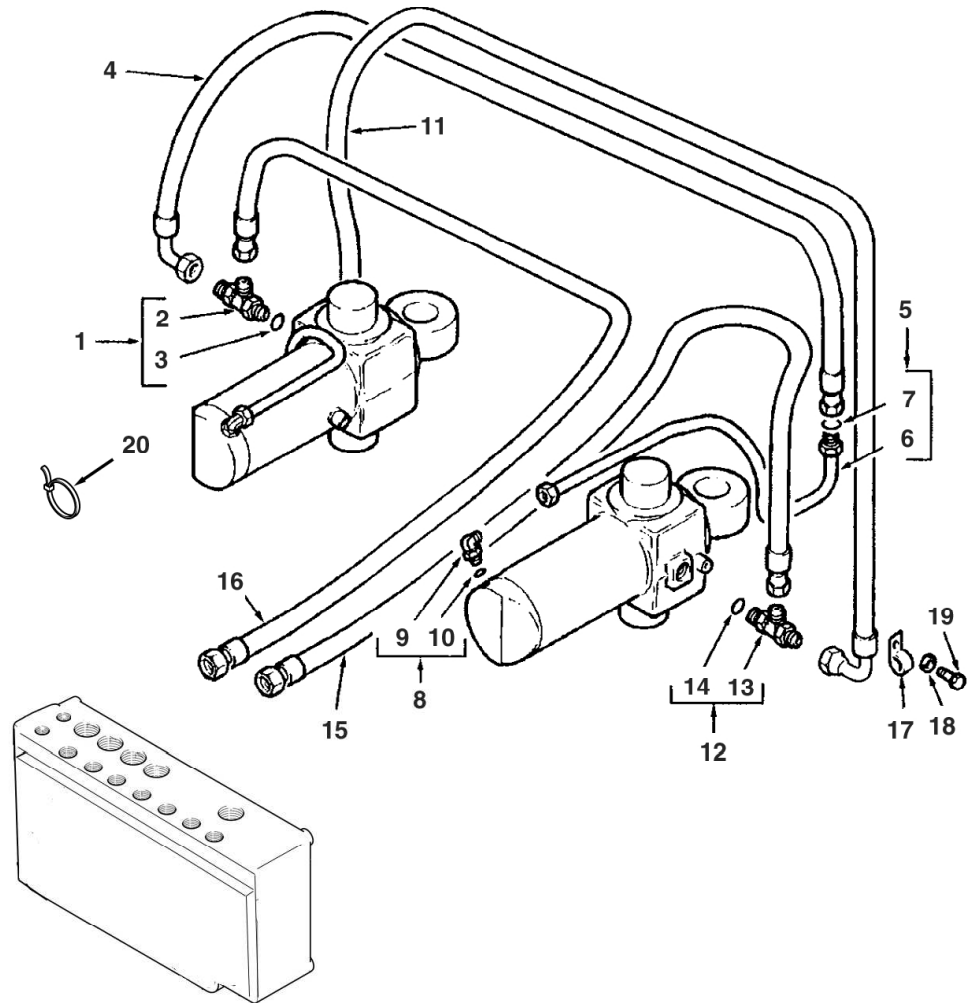




Item	Part No.	Qty.	English	French	German	Spanish	Remarks
1	6111078M91GY03	1	Cylinder Boom 4.5	Cylindre 4.5m	Zylinder 4.5m	Cilindro 4.5m	
2	6195249M91GY03	1	Tube - S/A (Terex Grey)	Tube - S/A (Terex Grey)	Tube - S/A (Terex Grey)	Tube - S/A (Terex Grey)	
3	6195253M1	4	Bush	Douille	Buchse	Casquillo	
4	6195255M1	2	Grease Nipple	Grease Nipple	Grease Nipple	Grease Nipple	
5	6195235M1	1	Ring - Cushion	Ring - Cushion	Ring - Cushion	Ring - Cushion	
6	6195259M1	2	Bearing - Piston	Bearing - Piston	Bearing - Piston	Bearing - Piston	
7	6195258M1	1	O - Ring	O - Ring	O - Ring	O - Ring	
8	6195257M1	1	Seal - Piston	Seal - Piston	Seal - Piston	Seal - Piston	
9	6195251M1	1	Piston	Piston	Piston	Piston	
10	6195254M1	1	Set Screw - Hex. Socket	Set Screw - Hex. Socket	Set Screw - Hex. Socket	Set Screw - Hex. Socket	
11	6194573M1	1	Wiper	Essuyeur	Wischer	Raspador, Escobilla	
12	6195262M1	1	Seal - Rod (Secondary)	Seal - Rod (Secondary)	Seal - Rod (Secondary)	Seal - Rod (Secondary)	
13	6194575M1	1	Seal - Rod (Primary)	Joint Étanchéité	Dichtring	Junta	
14	6195252M1	1	Cover - H.E.	Cover - H.E.	Cover - H.E.	Cover - H.E.	
15	6195256M1	1	Bush - Bimetal	Bush - Bimetal	Bush - Bimetal	Bush - Bimetal	
16	6195261M1	1	Ring - Back Up	Ring - Back Up	Ring - Back Up	Ring - Back Up	
17	6195260M1	1	O - Ring	O - Ring	O - Ring	O - Ring	
18	6194570M1	1	Ring - Back Up	Contre Bague	Stutzring	ContraJunta	
19	6195247M1	1	O - Ring	O - Ring	O - Ring	O - Ring	
20	6195250M91	1	Piston Rod - S/A	Piston Rod - S/A	Piston Rod - S/A	Piston Rod - S/A	
21	6195263M91	1	Seal Kit	Jeu Etancheite	Dichtringsatz	Juego Retenes	



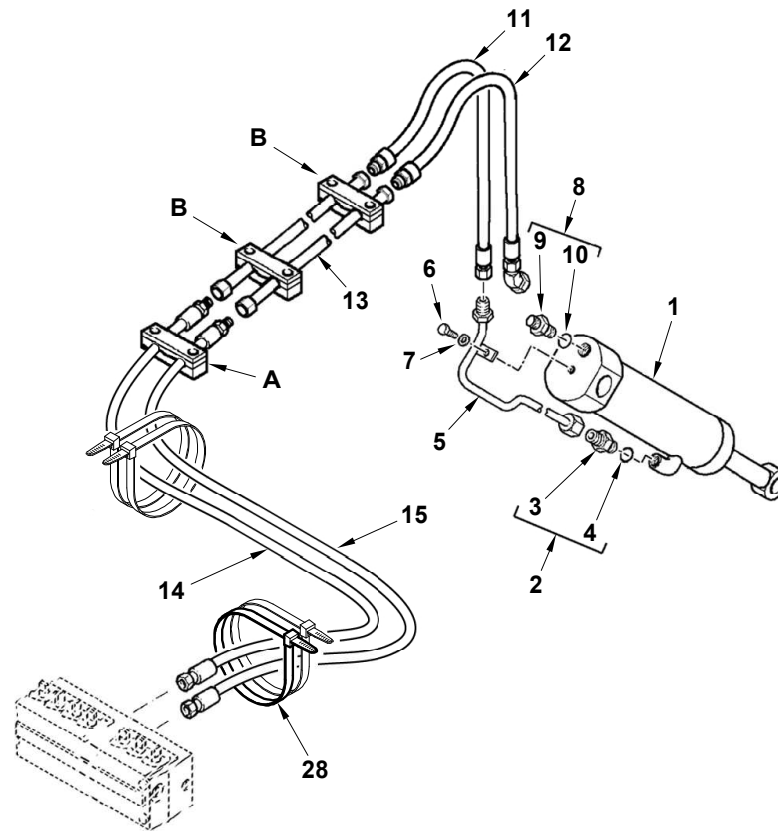
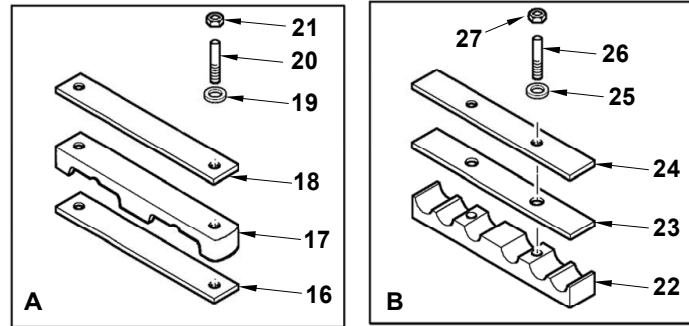
C-76040-07.1-A



Item	Part No.	Qty.	English	French	German	Spanish	Remarks
1	358728X91	1	Tee	Te	T-Stück	Te	
2	#TEE	1	Tee	Tee	Tee	Tee	Ref. 1
3	831497M1	1	O-Ring	Joint Torique	O-Ring	Junta De Tipo O	
4	6100716M91	1	Hose Slew Trsfr	Flexible Ass.	Schlauch Kplt	Flexible, Conj.	
5	6111175M92	1	Tube Assy Slew	Ensemble Tube	Rohr Kpl	Conj.De Tubo	RH Wipro
5	6111174M92	1	Tube Assy Slew	Ensemble Tube	Rohr Kpl	Conj. De Tubo	LH Wipro
5	6100587M91	1	Tube Slew Trsf LH	Tuyauterie	Rohrleitung Kplt	Conjunto De Tubería	Pacoma
5	6100589M91	1	Tube Slew Trsf RH	Tuyauterie	Rohrleitung Kplt	Conjunto De Tubería	Pacoma
6	#TUBE	1	Tube	Tube	Tube	Tube	Ref. 5
7	394923X1	1	O Ring	Joint Torique	O Ring	Junta De Tipo O	
8	357197X91	2	Elbow & O Ring	Coude	Kniestück, 90°	Codo, 90°	
9	#ELBOW	1	Elbow	Elbow	Elbow	Elbow	Ref. 8
10	831452M1	1	O Ring (Pack Of 10)	Joint Torique	O Ring	Junta De Tipo O	
11	6100716M91	1	Hose Slew Trsfr	Flexible Ass.	Schlauch Kplt	Flexible, Conj.	
12	358728X91	1	Tee	Te	T-Stück	Te	
13	#TEE	1	Tee	Tee	Tee	Tee	Ref. 12
14	831497M1	1	O-Ring	Joint Torique	O-Ring	Junta De Tipo O	
15	6100715M92	1	Hose-Digger-Green	Flexible Ass.	Schlauch Kplt	Flexible, Conj.	Purple
16	6101866M93	1	Hose-Digger-Green	Flexible Ass.	Schlauch Kplt	Flexible, Conj.	Green
17	3517114M2	2	P - Clip	Collier De Fixation	Befestigungsschelle	Argolla De Fijación	
18	385361X1	2	Washer M8 Hardened	Rondelle M8	Scheibe M8	Arandela	
19	339228X1	2	Bolt, Hex. - M8 X 12 (Coarse)	Boulon M8 X 12	Maschschraube M8	Tornillo	
20	1862425M1	1	Tie 385mm T50I	Attache Cable	Kabelbinder	Enlace De Cable	



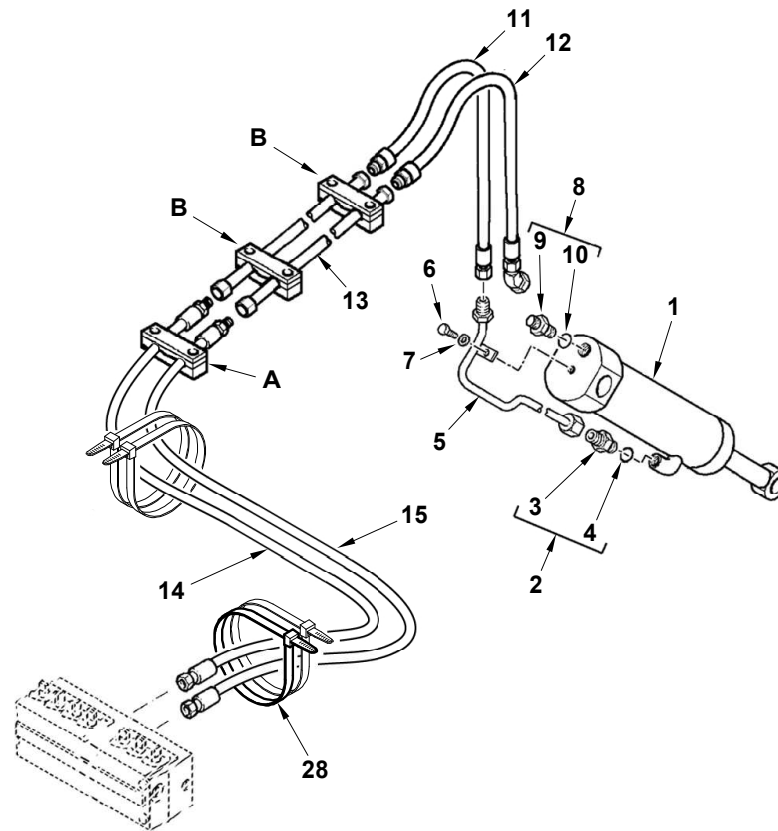
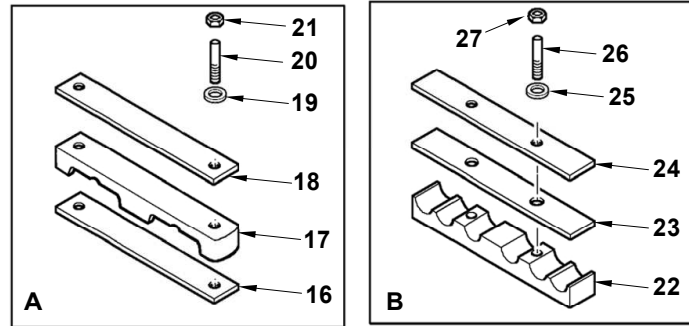
C-76041-01.1-B





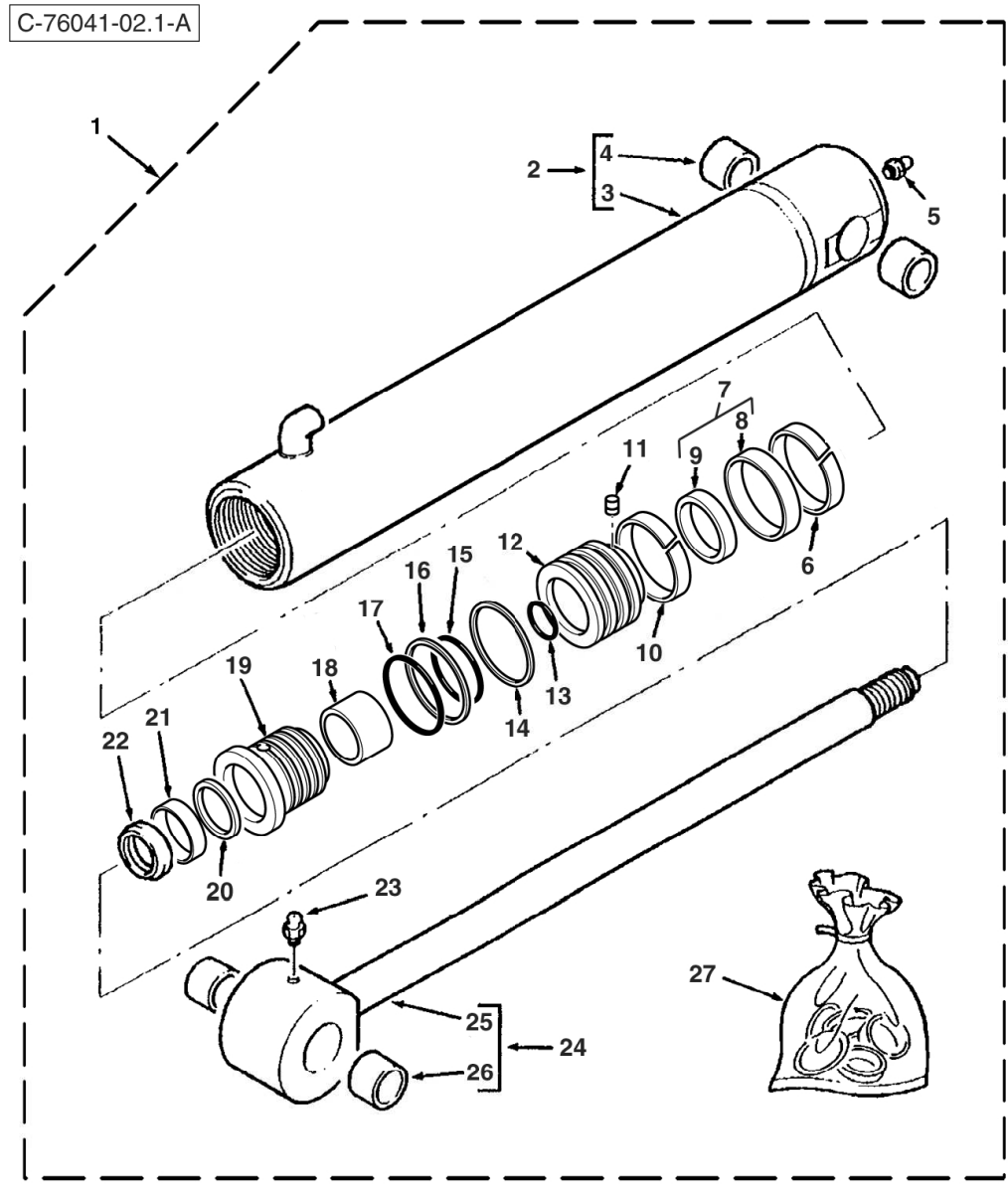
Item	Part No.	Qty.	English	French	German	Spanish	Remarks
1	#CYLINDER ASSY	1	Cylinder Assy	Cylinder Assy	Cylinder Assy	Cylinder Assy	76041c02.1 1 76041c02.2 1
2	835013M91	1	Connector 7/8 Jic	Raccord	Schraubanschluss	Conexión, Conj.	
3	#UNION	1	Union	Union	Union	Union	Ref. 2
4	835024M1	1	Ring O - Boa	Joint Torique	O Ring	Junta De Tipo O	
5	6101540M91	1	Tube Assy Bucket	Tuyauterie	Rohrleitung Kplt	Conjunto De Tubería	Tba Pacoma
5	6111161M91	1	Tube Assembly - Digger Bucket Cylinder	Tuyauterie	Rohrleitung Kplt	Conjunto De Tubería	Tba Wipro
6	339123X1	1	Bolt M8-20 Z5f	Boulon M8 X 20	Maschschraube M8	Perno	
7	385361X1	1	Washer M8 Hardened	Rondelle M8	Scheibe M8	Arandela	
8	835010M91	1	Elbow 45 Adj 7/8unf	Coude 135°	Winkelstück	Codo, 45°	
9	#ELBOW	1	Elbow	Elbow	Elbow	Elbow	Ref. 8
10	835024M1	1	Ring O - Boa	Joint Torique	O Ring	Junta De Tipo O	
11	#HOSE ASSY	1	Hose Assy	Hose Assy	Hose Assy	Hose Assy	Brown
12	#HOSE ASSY	1	Hose Assy	Hose Assy	Hose Assy	Hose Assy	White
13	6111137M91	2	Tube Assy - Bkt 4.5m Boom	Ensemble Tube	Rohr Kpl	Conjunto De Tubería	Ec05/328
13	6101771M91	2	Tube-Bucket-4.5m Boom	Tuyauterie	Rohrleitung Kplt	Conjunto De Tubería	Ec05/328
14	6102945M91	1	Hose-Bucket Rod-Brown	Flexible Ass.	Schlauch Kplt	Flexible, Conj.	Brown Ec05/328
14	6111143M91	1	Hose Assy - Bucket Rod (Brown C/Mount)	Ensemble Durit	Schlauch Kpl	Flexible, Conj.	Brown Ec05/328
15	6102942M91	1	Hose-Bucket Head-White	Flexible Ass.	Schlauch Kplt	Flexible, Conj.	White Ec05/328
15	6111144M91	1	Hose Assy- Bucket HD (White Centremount)	Ensemble Durit	Schlauch Kpl	Flexible, Conj.	White Ec05/328
16	6102128M1	1	Pad-Neoprene	Plaque Antidérapante	Zwischenlage	Cinta Antideslizante	
17	6102122M1	1	Clamp	Collier De Serrage	Klemme	Brida De Fijación	
18	6102130M1	1	Plate-Clamp	Plaque	Platte	Placa	
19	390972X1	2	Washer M8-17-1 Zwel	Rondelle M8	Scheibe - M8	Arandela	
20	3516075M1	2	Stud M8-65 Z5	Goujon	Stehbolzen	Espárrago	
21	394367X1	2	Nut, Hex. - Nyloc, M8	Ecrou Blocage M8	Flachmutter - M8	Tuerca De Retención	
22	6102126M1	2	Clamp	Collier De Serrage	Klemme	Brida De Fijación	
23	6102145M1	2	Pad-Neoprene	Plaque Antidérapante	Zwischenlage	Cinta Antideslizante	
24	6102124M1	2	Plate-Top	Plaque	Platte	Placa	
25	390972X1	4	Washer M8-17-1 Zwel	Rondelle M8	Scheibe - M8	Arandela	
26	6108049M1	4	Stud M8	Goujon	Stehbolzen	Espárrago	

C-76041-01.1-B



<b>Item</b>	<b>Part No.</b>	<b>Qty.</b>	<b>English</b>	<b>French</b>	<b>German</b>	<b>Spanish</b>	<b>Remarks</b>
27	394367X1	4	Nut, Hex. - Nyloc, M8	Ecrou Blocage M8	Flachmutter - M8	Tuerca De Retención	
28	8000-1379	4	Tie Wrap ( 530 X 13mm )	Bride	Buegel	Banda	

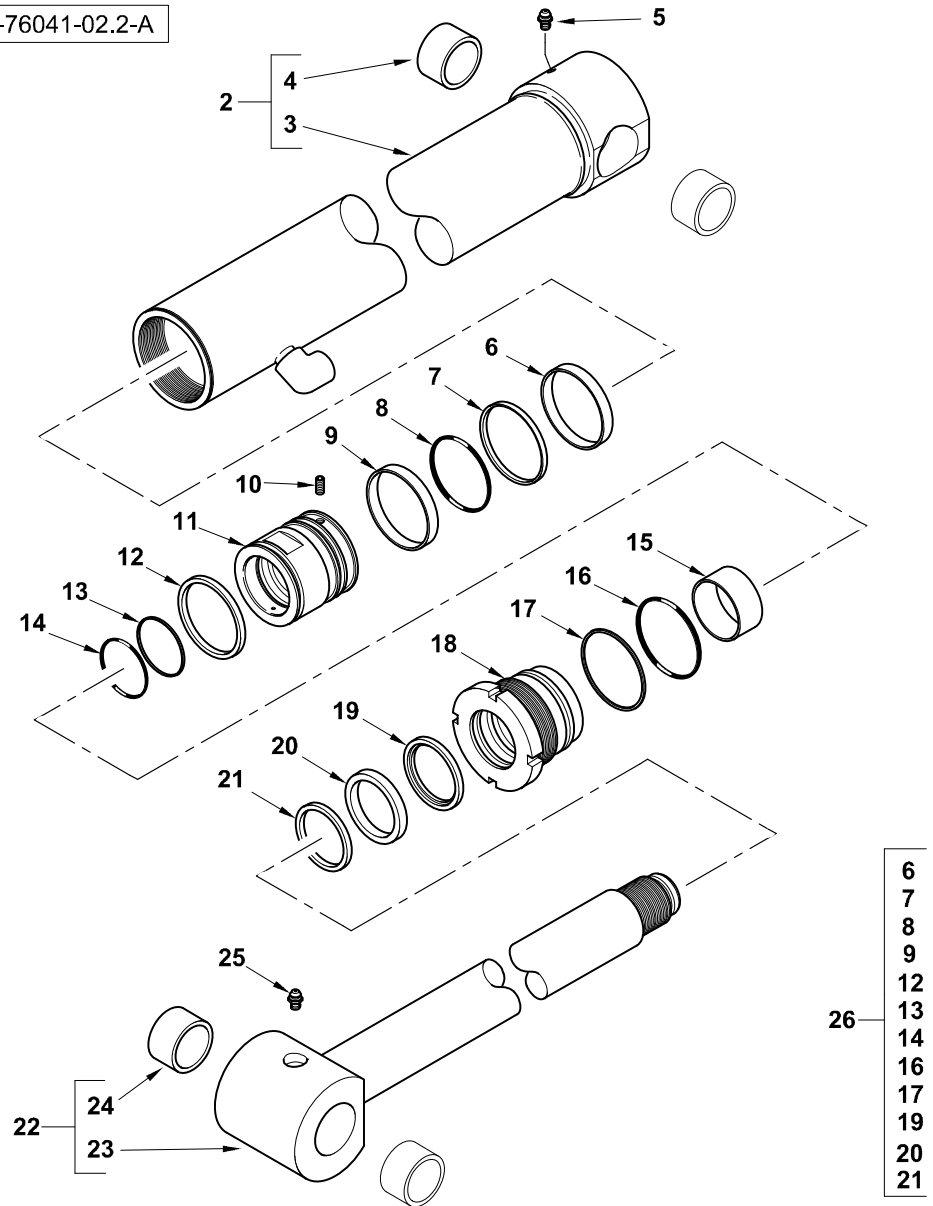




Item	Part No.	Qty.	English	French	German	Spanish	Remarks
1	5000126M91GY02	1	Cylinder Digger Bucket (Benford Grey)	L´Hie Hydraulique	Zylinder Hydr.	Gato, Conj.	Tba [76041c01.1 1]
2	5004008M91	1	Barrel Assy	Cylindre	Zylinder	Cilindro	
3	#TUBE, CYLINDER	1	Tube, Cylinder	Tube, Cylinder	Tube, Cylinder	Tube, Cylinder	Ref. 2
4	#BUSHING	1	Bushing	Douille	Busche	Boccola	
5	339608X1	1	Grease Nipple - M10 X 1 (Zinc)	Nipple De Graissage	Schmiernippel	Engrasador	
6	3485892M1	1	Guide Ring Piston	Bague D´Étanchéité	Dichtungsring	Anillo, Estanqueidad	
7	3485245M91	1	Seal Assy Piston	Joint Ass.	Dichtung Kplt	Junta, Conj.	
8	#SEAL	1	Seal	Joint Étanchéité	Dichtring	Retén	Ref. 7
9	#RING	1	Ring	Anneau	Ring	Aro	Ref. 7
10	3485892M1	1	Guide Ring Piston	Bague D´Étanchéité	Dichtungsring	Anillo, Estanqueidad	
11	3402928M1	1	Screw, Socket Head - Piston Locating	Vis Tête Hex	Zylinderschraube	Tornillo	
12	3623372M1	1	Piston	Piston	Kolben	Pistón	
13	359186X1	1	O-Ring	Joint Torique	O-Ring	Junta De Tipo O	
14	3623061M1	1	Ring Piston	Segment De Piston	Kolbenring	Segmento De Pistón	
15	359193X1	1	O-Ring	Joint Torique	O-Ring	Junta De Tipo O	
16	1606735M1	1	Ring Back-Up	Contre Bague	Stützring	ContraJunta	
17	3487207M1	1	O-Ring	Joint Torique	O-Ring	Junta De Tipo O	
18	3484615M1	1	Guide Ring	Anneau	Ring	Aro	
19	3623371M1	1	Gland - Bucket Cylinder	Presse Étoupe	Stopfbuchse	Cojinete	
20	3484055M1	1	Ring Buffer	Anneau	Ring	Aro	
21	3485185M1	1	Seal	Joint D´Arbre	Wellendichtring	Junta	
22	3487015M1	1	Wiper Ring	Anneau	Ring	Aro	
23	339608X1	1	Grease Nipple - M10 X 1 (Zinc)	Nipple De Graissage	Schmiernippel	Engrasador	
24	5004012M91	1	Piston Rod Assy - Nla	Tige De Vérin	Kolbenstange	Vástago Cilindro	
25	#ROD, PISTON	1	Rod, Piston	Rod, Piston	Rod, Piston	Rod, Piston	Ref. 24
26	#BUSHING	1	Bushing	Douille	Busche	Boccola	
27	3623373M91	1	Kit Seal	Jeu Etancheite	Dichtringsatz	Juego De Juntas	

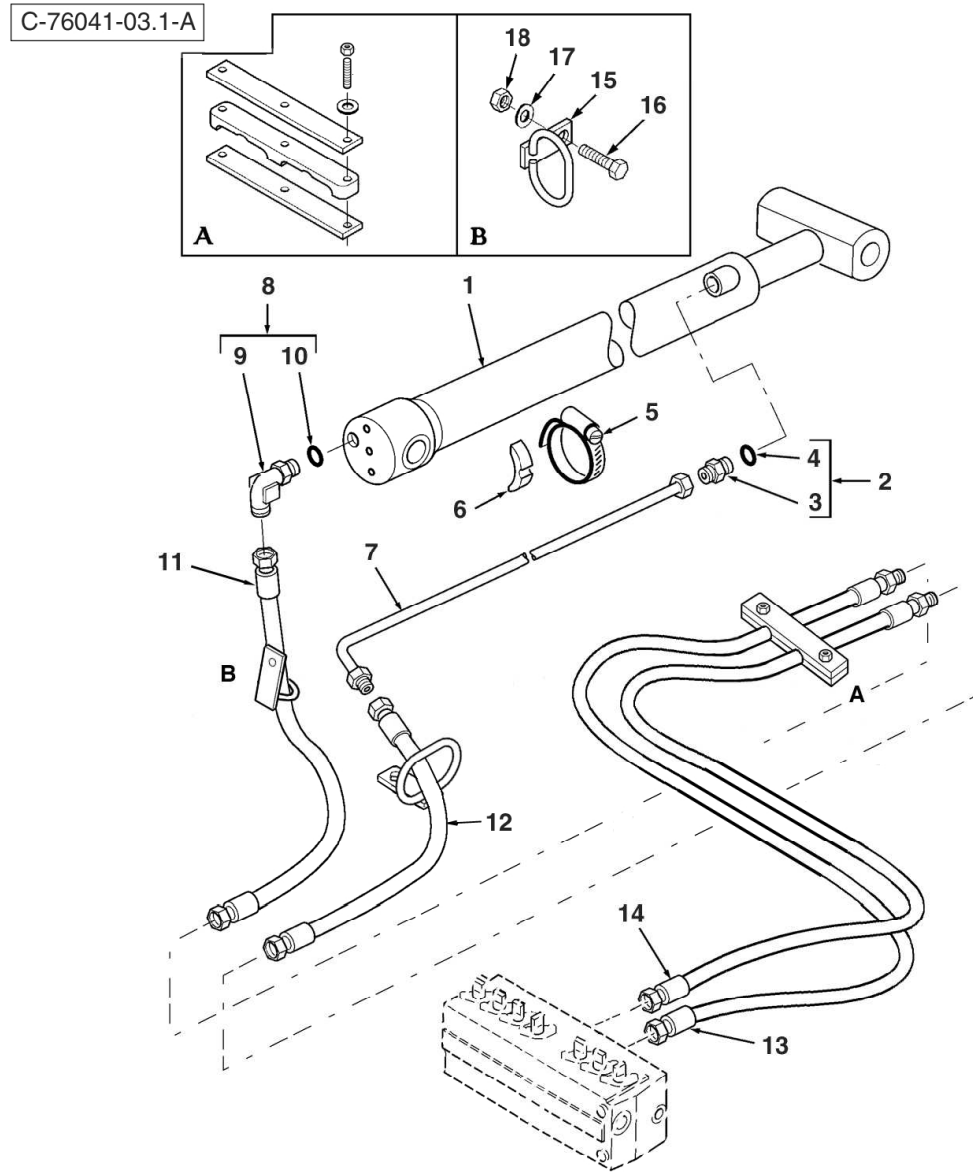


C-76041-02.2-A



Item	Part No.	Qty.	English	French	German	Spanish	Remarks
1	6111070M91GY03	1	Cylinder- Digger Bucket	Cylindre	Zylinder	Gato, Conj.	Tba [76041c01.1 1]
2	6194629M91	1	Barrel - Cylinder	Corps Cylindre	Zylindergehäuse	Tubo	
3	#TUBE	1	Tube	Tube	Tube	Tube	Ref. 2
4	6194562M1	2	Bush	Douille	Büchse	Casquillo	
5	6194542M1	1	Nipple - Grease	Graisseur Coude	Nippel	Manguito, Engrasador	
6	6194634M1	1	Bearing - Piston	Coussinet	Lager	Teniendo - Pistón	
7	6194635M1	1	Seal - Piston	Joint Étanchéité	Dichtring	Junta	
8	6194636M1	1	O Ring (Std)	Joint Torique	O Ring	Junta De Tipo O	
9	6194634M1	1	Bearing - Piston	Coussinet	Lager	Teniendo - Pistón	
10	6194633M1	1	Set Screw - Hex Socket	Vis Tete Hex	Zylinderschraube	Tornillo De Ajuste	
11	6194631M1	1	Piston	Piston	Kolben	Pistón	
12	6194637M1	1	Ring - Piston	Segment Piston	Kolbenring	Segmento De Pistón	
13	6194625M1	1	Ring - Back Up	Contre Bague	Stutzring	ContraJunta	
14	6194624M1	1	O Ring (Std)	Joint Torique	O Ring	Junta De Tipo O	
15	6194541M1	1	Bush - Bimetal	Douille	Büchse	Juego De Anillos	
16	6194640M1	1	O Ring (Std)	Joint Torique	O Ring	Junta De Tipo O	
17	6194641M1	1	Ring - Back Up	Contre Bague	Stutzring	ContraJunta	
18	6194632M1	1	End Cover - Head	Couvercle	Deckel	Tapa	
19	6194638M1	1	Seal - Rod (Primary)	Joint Étanchéité	Dichtring	Junta	
20	6194639M1	1	Seal- Rod (Secondary)	Joint Étanchéité	Dichtring	Junta	
21	6194554M1	1	Wiper	Essuyeur	Wischer	Raspador, Escobilla	
22	6194630M91	1	Rod - Piston	Bielle De Piston	Pleuelstange	Rod - Pistón	
23	#ROD	1	Rod	Rod	Rod	Rod	Ref. 22
24	6194562M1	2	Bush	Douille	Büchse	Casquillo	
25	6194542M1	1	Nipple - Grease	Graisseur Coude	Nippel	Manguito, Engrasador	
26	6194642M91	0	Seal Kit	Jeu Etancheite	Dichtringsatz	Juego De Juntas	

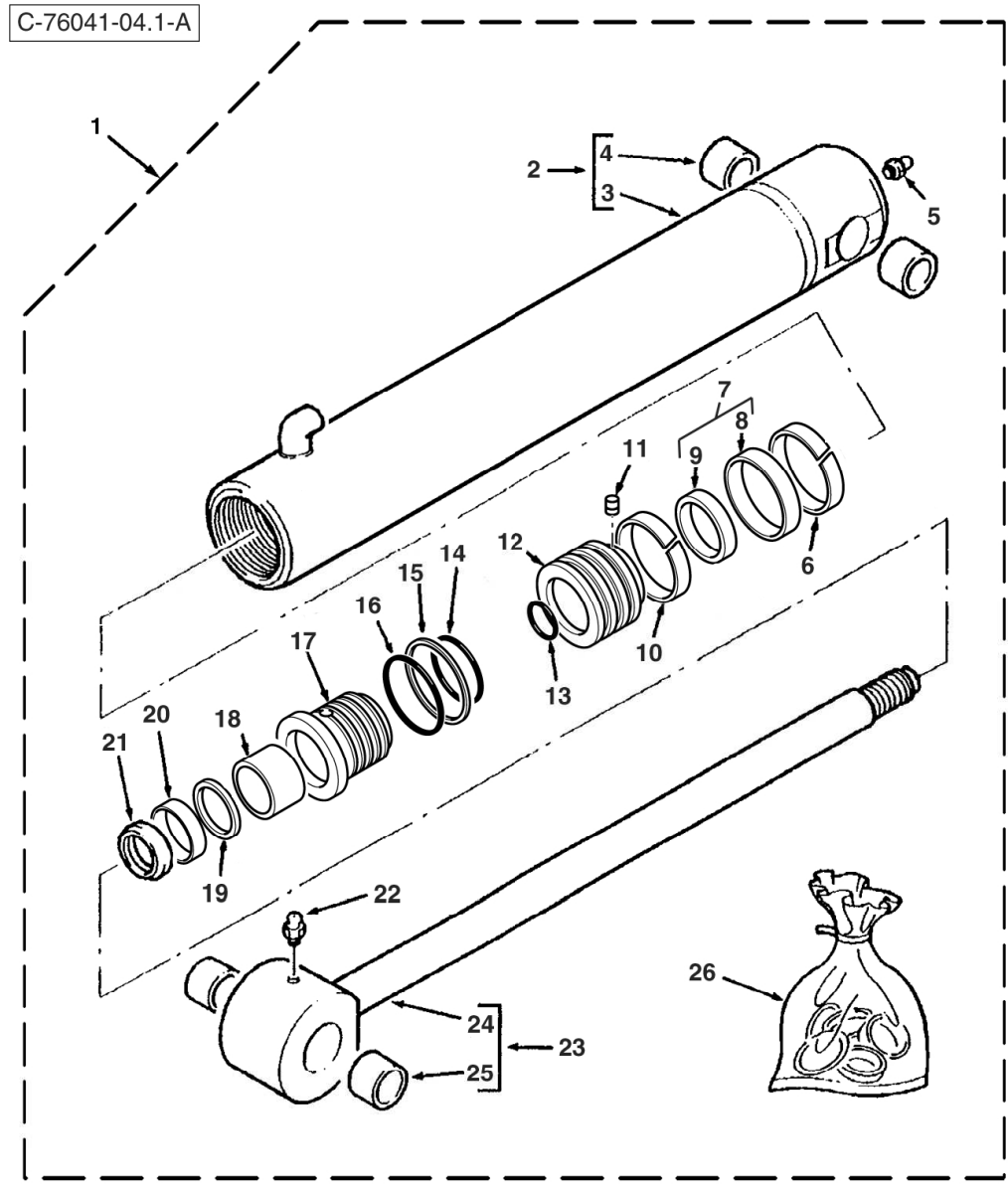






Item	Part No.	Qty.	English	French	German	Spanish	Remarks
1	#CYLINDER ASSY	1	Cylinder Assy	Cylinder Assy	Cylinder Assy	Cylinder Assy	76041c04.1 1 76041c04.2 1
2	835013M91	1	Connector 7/8 Jic	Raccord	Schraubanschluss	Conexión, Conj.	
3	#UNION	1	Union	Union	Union	Union	Ref. 2
4	835024M1	1	Ring O - Boa	Joint Torique	O Ring	Junta De Tipo O	
5	3517733M1	1	Clamp Hose 130-150	Collier De Serrage	Schlauchbinder	Argolla De Cierre	
6	D142787	1	Saddle (See 142787d)	Selle	Sattel	Bloque De Caucho	
7	6100976M92	1	Tube Assy. - Dipperstick Cylinder	Tuyauterie	Rohrleitung Kplt	Conjunto De Tubería	Tba Pacoma
7	6111162M91	1	Tube Assembly - Dipper Cylinder	Tuyauterie	Rohrleitung Kplt	Conjunto De Tubería	Tba Wipro
8	6101624M91	1	Elbow 90deg-Long	Coude À 90°	Winkelstuck	Codo, 90°	
9	#ELBOW	1	Elbow	Elbow	Elbow	Elbow	Ref. 8
10	835024M1	1	Ring O - Boa	Joint Torique	O Ring	Junta De Tipo O	
11	6101738M91	1	Hose-Dipper Head	Flexible Ass.	Schlauch Kplt	Flexible, Conj.	Yellow
12	6101737M91	1	Hose-Dipper Rod	Flexible Ass.	Schlauch Kplt	Flexible, Conj.	Red
13	6102941M91	1	Hose-Dipper Head-Yellow	Flexible Ass.	Schlauch Kplt	Flexible, Conj.	Yellow
14	6102944M91	1	Hose-Dipper Rod	Flexible Ass.	Schlauch Kplt	Flexible, Conj.	Red
15	6101491M92	2	Hose Hoop Assy	Ensemble De Support	Haltevorrichtung Kpl.	Apoyadero, Conj.	
16	339761X1	2	Bolt M8-25 Z5f	Goupille	Bolzen M8 X 25	Tornillo	
17	390972X1	2	Washer M8-17-1 Zwl	Rondelle M8	Scheibe - M8	Arandela	
18	394367X1	2	Nut, Hex. - Nyloc, M8	Ecrou Blocage M8	Flachmutter - M8	Tuerca De Retención	

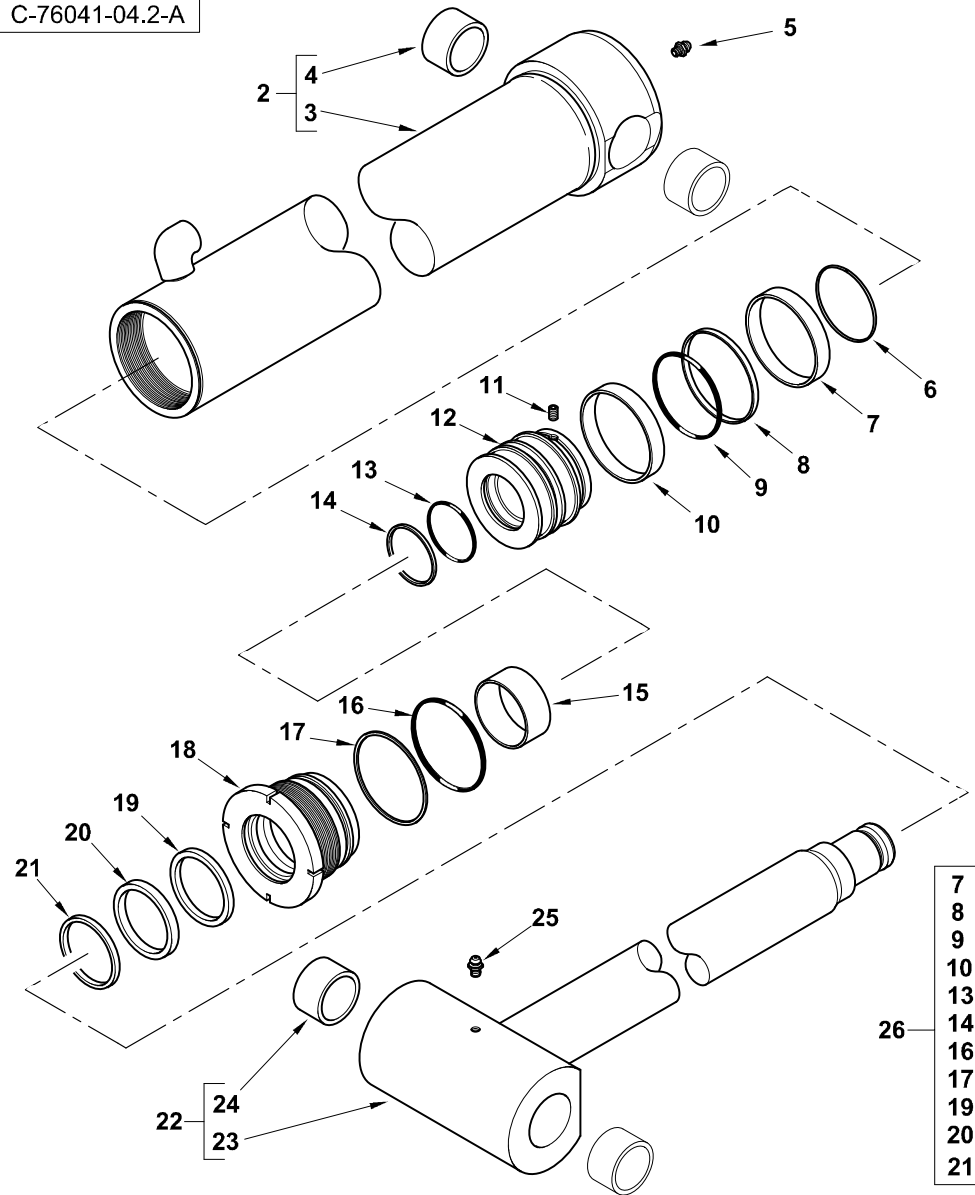




Item	Part No.	Qty.	English	French	German	Spanish	Remarks
1	5000124M91GY02	1	Cylinder Dipperstick (Benford Grey)	L´Hie Hydraulique	Zylinder Hydr.	Gato, Conj.	Tba [76041c03.1 1]
2	5003982M91	1	Barrel Assy. - Dipper Cylinder	Corps Cylindre	Zylindergehäuse	Cilindro	
3	#TUBE, CYLINDER	1	Tube, Cylinder	Tube, Cylindre	Tube, Cylinder	Tube, Cylinder	Ref. 2
4	3484843M1	1	Bush, Hydr. Cylinders	Douille	Buechse	Casquillo	
5	339608X1	1	Grease Nipple - M10 X 1 (Zinc)	Nipple De Graissage	Schmiernippel	Engrasador	
6	3485891M1	1	Guide Ring Piston	Anneau	Ring	Aro	
7	3485247M91	1	Seal Piston	Joint	Dichtung	Junta, Conj.	
8	#SEAL	1	Seal	Joint Étanchéité	Dichtring	Retén	Ref. 7
9	#RING	1	Ring	Anneau	Ring	Aro	Ref. 7
10	3485891M1	1	Guide Ring Piston	Anneau	Ring	Aro	
11	3402928M1	1	Screw, Socket Head - Piston Locating	Vis Tête Hex	Zylinderschraube	Tornillo	
12	5003989M1	1	Piston	Piston	Kolben	Pistón	
13	3007182X1	1	O-Ring	Joint Torique	O-Ring	Junta De Tipo O	
14	359196X1	1	O Ring	Joint Torique	O Ring	Junta De Tipo O	
15	378545X1	1	Ring - Backup	Contre Bague	Stutzring	Aro	
16	3487908M1	1	O Ring, Hydr. Cylinder	Joint Torique	O Ring	Junta De Tipo O	
17	5003988M1	1	Bearing Cylinder	Roulement	Lager	Cojinete	
18	3623193M1	1	Guide Ring	Anneau	Ring	Aro	
19	3443388M1	1	Ring - Back Up	Anneau	Ring	Aro	
20	3443472M1	1	Seal	Joint D´Arbre	Wellendichtring	Junta	
21	3403385M1	1	Wiper Ring	Joint De Racleur	Abstreifdichtung	Junta Raspador	
22	339608X1	1	Grease Nipple - M10 X 1 (Zinc)	Nipple De Graissage	Schmiernippel	Engrasador	
23	5003985M91	1	Piston Rod Assy	Tige De Vérin	Kolbenstange	Vástago Cilindro	
24	#ROD, PISTON	1	Rod, Piston	Rod, Piston	Rod, Piston	Rod, Piston	Ref. 23
25	3484843M1	1	Bush, Hydr. Cylinders	Douille	Buechse	Casquillo	
26	5004401M91	1	Kit Seal	Jeu Étanchéité	Dichtringsatz	Juego De Juntas	



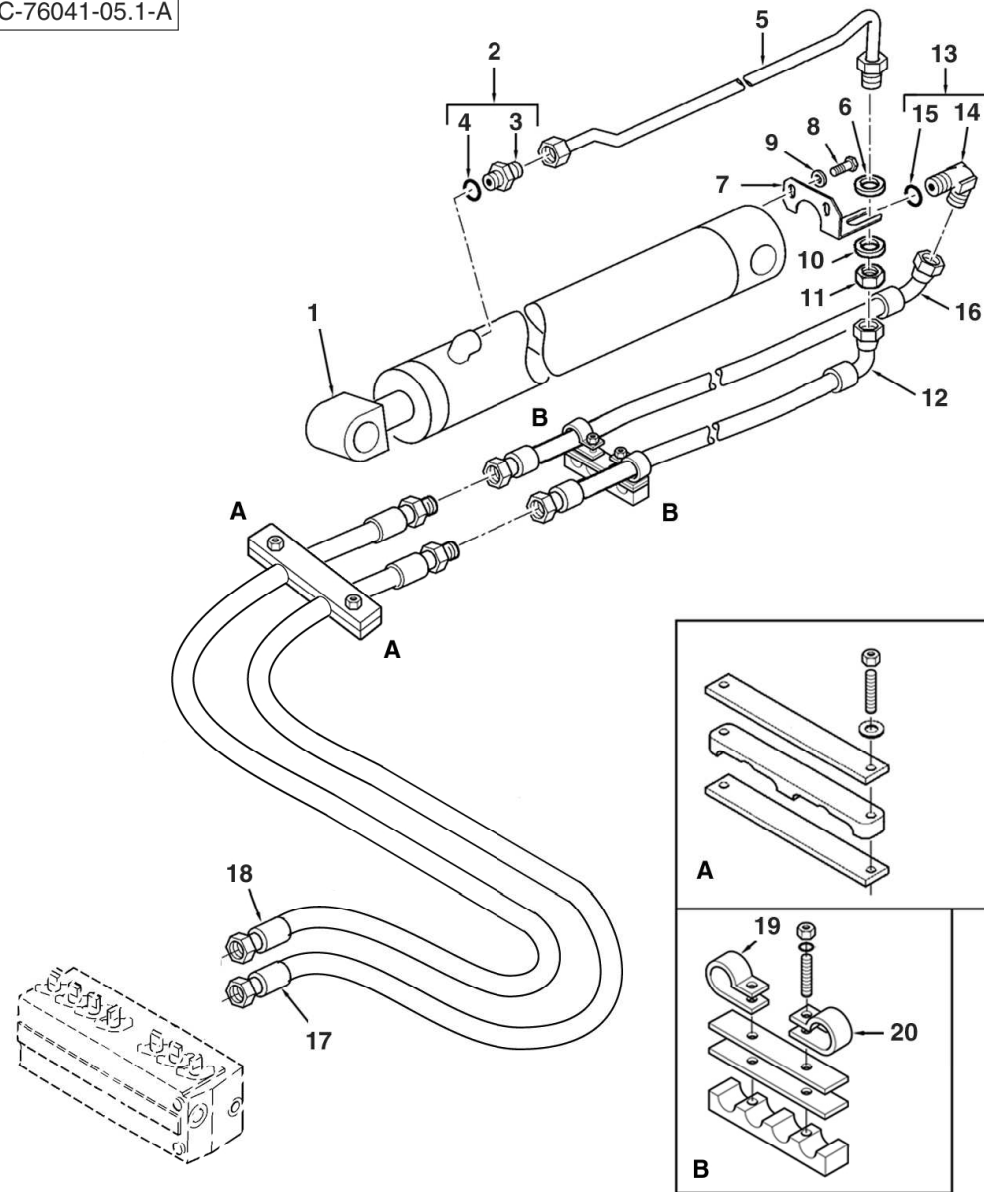
C-76041-04.2-A



Item	Part No.	Qty.	English	French	German	Spanish	Remarks
1	6111069M91GY03	1	Cylinder - Dipperstick	Cylindre	Zylinder	Gato, Conj.	Tba [76041c03.1 1]
2	6194615M91	1	Barrel - Cylinder	Corps Cylindre	Zylindergehäuse	Conjunto De Tubería	
3	#TUBE	1	Tube	Tube	Tube	Tube	Ref. 2
4	6194562M1	2	Bush	Douille	Büchse	Casquillo	
5	6194542M1	1	Nipple - Grease	Graisseur Coude	Nippel	Manguito, Engrasador	
6	6194620M1	1	Ring - Snap	Fermeoir	Sprengring	Anillo De Resorte	
7	6194621M1	1	Bearing - Piston	Coussinet	Lager	Teniendo - Pistón	
8	6194622M1	1	Seal - Piston	Joint Étanchéité	Dichtring	Junta	
9	6194623M1	1	O Ring (Std)	Joint Torique	O Ring	Junta De Tipo O	
10	6194621M1	1	Bearing - Piston	Coussinet	Lager	Teniendo - Pistón	
11	6194619M1	1	Set Screw	Vis	Schraube	Tornillo De Ajuste	
12	6194617M1	1	Piston	Piston	Kolben	Pistón	
13	6194624M1	1	O Ring (Std)	Joint Torique	O Ring	Junta De Tipo O	
14	6194625M1	1	Ring - Back Up	Contre Bague	Stutzring	ContraJunta	
15	6194565M1	1	Bush - Bimetal	Douille	Büchse	Juego De Anillos	
16	6194626M1	1	O Ring (Std)	Joint Torique	O Ring	Junta De Tipo O	
17	6194627M1	1	Ring - Back Up	Contre Bague	Stutzring	ContraJunta	
18	6194618M1	1	End Cover - Head	Couvercle	Deckel	Tapa	
19	6194575M1	1	Seal - Rod (Primary)	Joint Étanchéité	Dichtring	Junta	
20	6194576M1	1	Seal- Rod (Secondary)	Joint Étanchéité	Dichtring	Junta	
21	6194573M1	1	Wiper	Essuyeur	Wischer	Raspador, Escobilla	
22	6194616M91	1	Rod - Piston	Bielle De Piston	Pleuelstange	Rod - Pistón	
23	#ROD	1	Rod	Rod	Rod	Rod	Ref. 22
24	6194562M1	2	Bush	Douille	Büchse	Casquillo	
25	6194542M1	1	Nipple - Grease	Graisseur Coude	Nippel	Manguito, Engrasador	
26	6194628M91	0	Seal Kit	Jeu Etancheite	Dichtringsatz	Juego De Juntas	

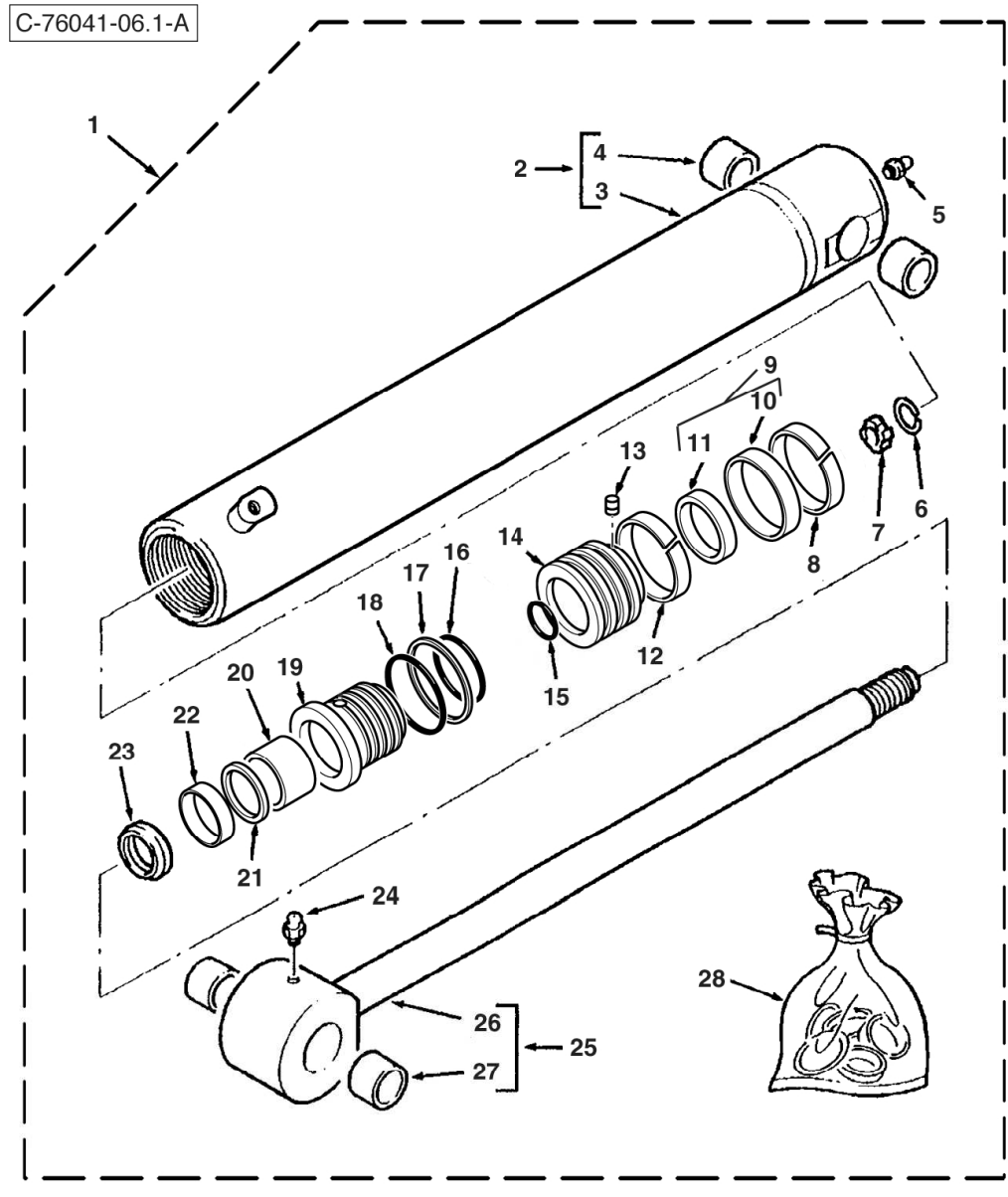


C-76041-05.1-A



Item	Part No.	Qty.	English	French	German	Spanish	Remarks
1	6111078M91GY03	1	Cylinder Boom 4.5	Cylindre 4.5m	Zylinder 4.5m	Cilindro 4.5m	Wipro
1	5000122M91	1	Cylinder 4.5m B00m - Hi Spec	L' Hie Hydraulique	Zylinder Hydr.	Gato, Conj.	Pacoma
2	835013M91	1	Connector 7/8 Jic	Raccord	Schraubanschluss	Conexión, Conj.	
3	#UNION	1	Union	Union	Union	Union	Ref. 2
4	835024M1	1	Ring O - Boa	Joint Torique	O Ring	Junta De Tipo O	
5	6100855M91	1	Tube-Cylinder-4.5 Boom	Tuyauterie	Rohrleitung Kplt	Conjunto De Tubería	Pacoma
5	6111166M91	1	Tube Assembly - Boom Cylinder 4.5m	Tuyauterie	Rohrleitung Kplt	Conjunto De Tubería	Wipro
6	353763X1	1	Washer	Rondelle	Scheibe	Arandela	
7	6100883M1	1	Bracket-Cylinder-Boom	Patte Fixation	Halter	Pata De Fijación	
8	339228X1	2	Bolt, Hex. - M8 X 12 (Coarse)	Boulon M8 X 12	Maschschraube M8	Tornillo	
9	339374X1	2	Washer M8 -21-2 Z	Rondelle Frein - M8	Federring - M8	Arandela De Freno	
10	353763X1	1	Washer	Rondelle	Scheibe	Arandela	
11	355574X1	1	Nut, Hex. - 7/8" Unf, Lock	Ecrou 7/8" Unf	Mutter 7/8" Unf	Tuerca	
12	6101735M92	1	Hose-Boom Cyl Rod	Flexible Ass.	Schlauch Kplt	Flexible, Conj.	Orange
13	835007M91	1	Elbow 90 Degree Adjust	Coude 90°	Kniestück 90°	Codo, 90°	
14	#ELBOW	1	Elbow	Elbow	Elbow	Elbow	Ref. 13
15	835024M1	1	Ring O - Boa	Joint Torique	O Ring	Junta De Tipo O	
16	6101736M92	1	Hose, "Blue" - Boom Cylinder Feed	Flexible	Schlauch	Flexible, Conj.	Blue
17	6102943M91	1	Hose-Boom Rod-Orange	Flexible Ass.	Schlauch Kplt	Flexible, Conj.	Orange
18	6102940M91	1	Hose-Boom Head-Blue	Flexible Ass.	Schlauch Kplt	Flexible, Conj.	Blue
19	515-23270	1	Clip-Coated P	Clip	Klips	Clip	
20	515-23206	1	P Clip Bsr081hs	Bride Pour Tutaux	Schlauchschelle	Abrazadera De Manguera	

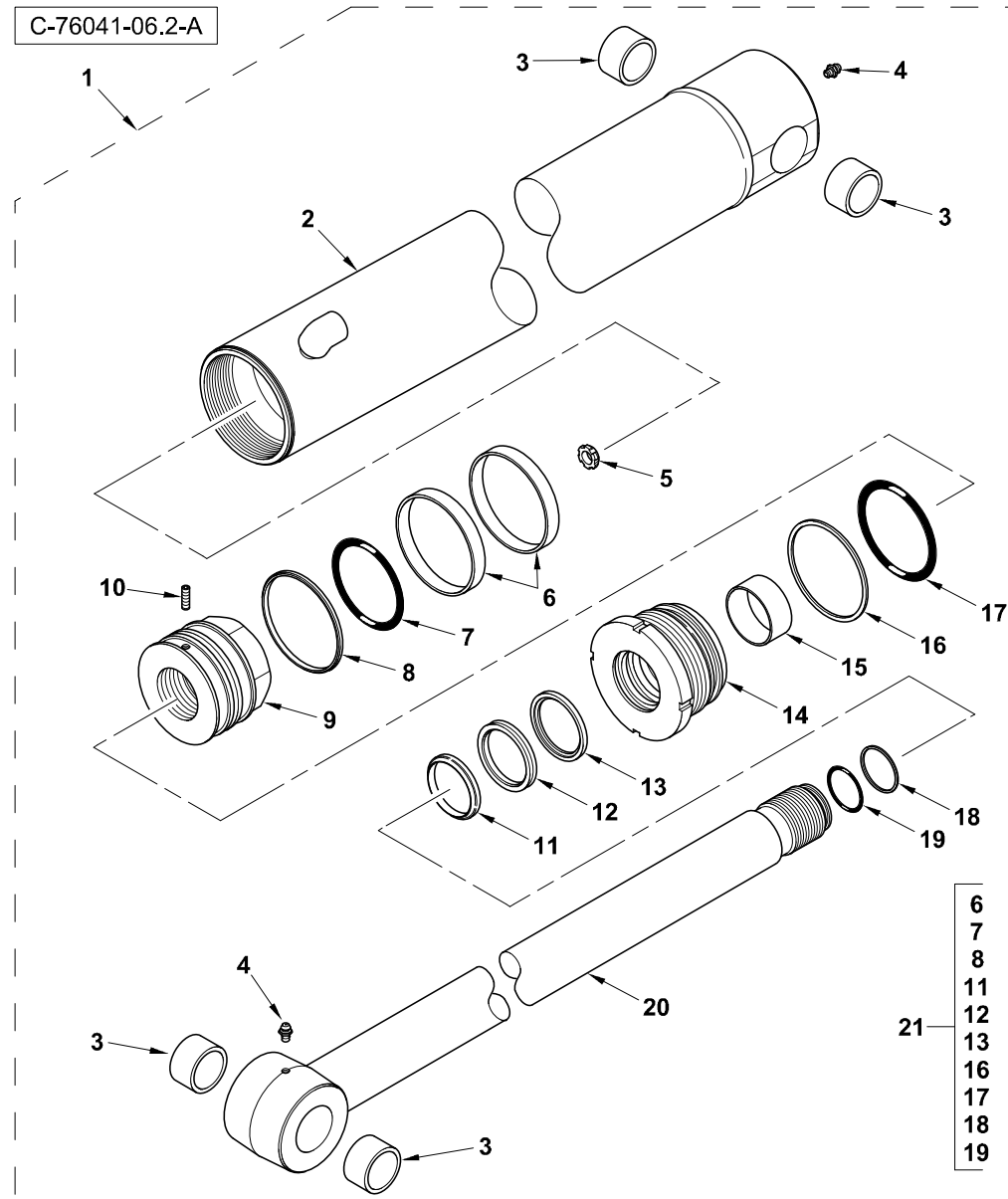






Item	Part No.	Qty.	English	French	German	Spanish	Remarks
1	5000122M91	1	Cylinder 4.5m B00m - Hi Spec	L´Hie Hydraulique	Zylinder Hydr.	Gato, Conj.	76041c05.1 1
2	5003912M91	1	Barrel Assy	Cylindre	Zylinder	Cilindro	
3	#TUBE, CYLINDER	1	Tube, Cylinder	Tube, Cylinder	Tube, Cylinder	Tube, Cylinder	Ref. 2
4	#BUSHING	2	Bushing	Douille	Busche	Boccola	
5	339608X1	1	Grease Nipple - M10 X 1 (Zinc)	Nipple De Graissage	Schmiernippel	Engrasador	
6	1609899M1	1	Snap Ring	Anneau D´Arrêt	Sprengring	Anillo De Resorte	
7	1609328M1	1	Ring Cushioning	Anneau	Ring	Aro	
8	3403852M1	1	Ring, Guide - Piston	Anneau	Ring	Aro	
9	3485213M91	1	Seal Piston	Joint	Dichtung	Junta, Conj.	
10	#SEAL	1	Seal	Joint Étanchéité	Dichtring	Retén	Ref. 9
11	#SEAL	1	Seal	Joint Étanchéité	Dichtring	Retén	Ref. 9
12	3403852M1	1	Ring, Guide - Piston	Anneau	Ring	Aro	
13	3402928M1	1	Screw, Socket Head - Piston Locating	Vis Tête Hex	Zylinderschraube	Tornillo	
14	3484189M1	1	Piston	Piston	Kolben	Pistón	
15	3007182X1	1	O-Ring	Joint Torique	O-Ring	Junta De Tipo O	
16	359203X1	1	O-Ring	Joint Torique	O-Ring	Junta De Tipo O	
17	367120X1	1	Back-Up Ring	Contre Bague	Stützring	Aro	
18	3487909M1	1	O-Ring	Joint Torique	O-Ring	Junta De Tipo O	
19	3623202M1	1	Bearing	Roulement	Lager	Cojinete	
20	3623193M1	1	Guide Ring	Anneau	Ring	Aro	
21	3443388M1	1	Ring - Back Up	Anneau	Ring	Aro	
22	3443472M1	1	Seal	Joint D´Arbre	Wellendichtring	Junta	
23	3403385M1	1	Wiper Ring	Joint De Racleur	Abstreifdichtung	Junta Raspador	
24	339608X1	1	Grease Nipple - M10 X 1 (Zinc)	Nipple De Graissage	Schmiernippel	Engrasador	
25	3441629M91	1	Piston Rod Assy	Tige De Vérin	Kolbenstange	Vástago Cilindro	
26	#ROD, PISTON	1	Rod, Piston	Rod, Piston	Rod, Piston	Rod, Piston	Ref. 25
27	3484843M1	1	Bush, Hydr. Cylinders	Douille	Buechse	Casquillo	
28	3623589M91	1	Kit, Seal - Hydraulic Cylinder	Jeu Etancheite	Dichtringsatz	Juego De Juntas	

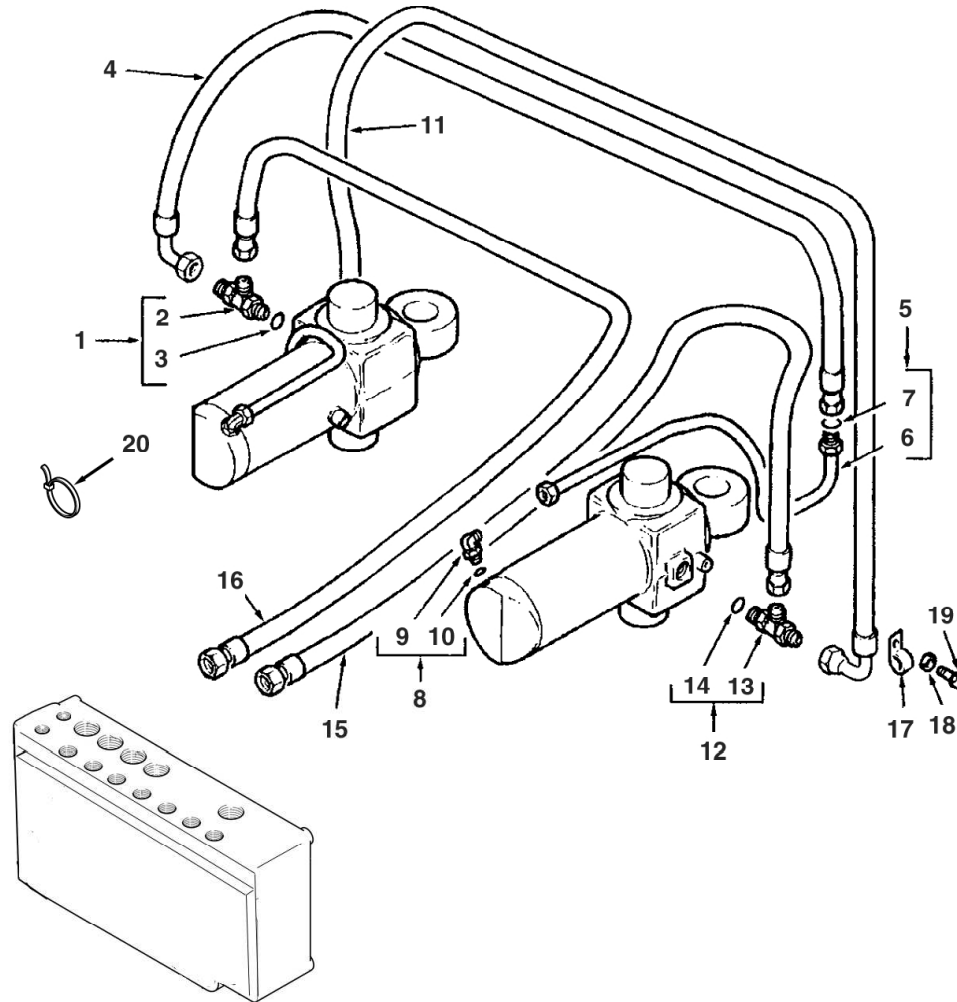




Item	Part No.	Qty.	English	French	German	Spanish	Remarks
1	6111078M91GY03	1	Cylinder Boom 4.5	Cylindre 4.5m	Zylinder 4.5m	Cilindro 4.5m	
2	6195249M91GY03	1	Tube - S/A (Terex Grey)	Tube - S/A (Terex Grey)	Tube - S/A (Terex Grey)	Tube - S/A (Terex Grey)	
3	6195253M1	4	Bush	Douille	Buchse	Casquillo	
4	6195255M1	2	Grease Nipple	Grease Nipple	Grease Nipple	Grease Nipple	
5	6195235M1	1	Ring - Cushion	Ring - Cushion	Ring - Cushion	Ring - Cushion	
6	6195259M1	2	Bearing - Piston	Bearing - Piston	Bearing - Piston	Bearing - Piston	
7	6195258M1	1	O - Ring	O - Ring	O - Ring	O - Ring	
8	6195257M1	1	Seal - Piston	Seal - Piston	Seal - Piston	Seal - Piston	
9	6195251M1	1	Piston	Piston	Piston	Piston	
10	6195254M1	1	Set Screw - Hex. Socket	Set Screw - Hex. Socket	Set Screw - Hex. Socket	Set Screw - Hex. Socket	
11	6194573M1	1	Wiper	Essuyeur	Wischer	Raspador, Escobilla	
12	6195262M1	1	Seal - Rod (Secondary)	Seal - Rod (Secondary)	Seal - Rod (Secondary)	Seal - Rod (Secondary)	
13	6194575M1	1	Seal - Rod (Primary)	Joint Étanchéité	Dichtring	Junta	
14	6195252M1	1	Cover - H.E.	Cover - H.E.	Cover - H.E.	Cover - H.E.	
15	6195256M1	1	Bush - Bimetal	Bush - Bimetal	Bush - Bimetal	Bush - Bimetal	
16	6195261M1	1	Ring - Back Up	Ring - Back Up	Ring - Back Up	Ring - Back Up	
17	6195260M1	1	O - Ring	O - Ring	O - Ring	O - Ring	
18	6194570M1	1	Ring - Back Up	Contre Bague	Stutzring	ContraJunta	
19	6195247M1	1	O - Ring	O - Ring	O - Ring	O - Ring	
20	6195250M91	1	Piston Rod - S/A	Piston Rod - S/A	Piston Rod - S/A	Piston Rod - S/A	
21	6195263M91	1	Seal Kit	Jeu Etancheite	Dichtringsatz	Juego Retenes	



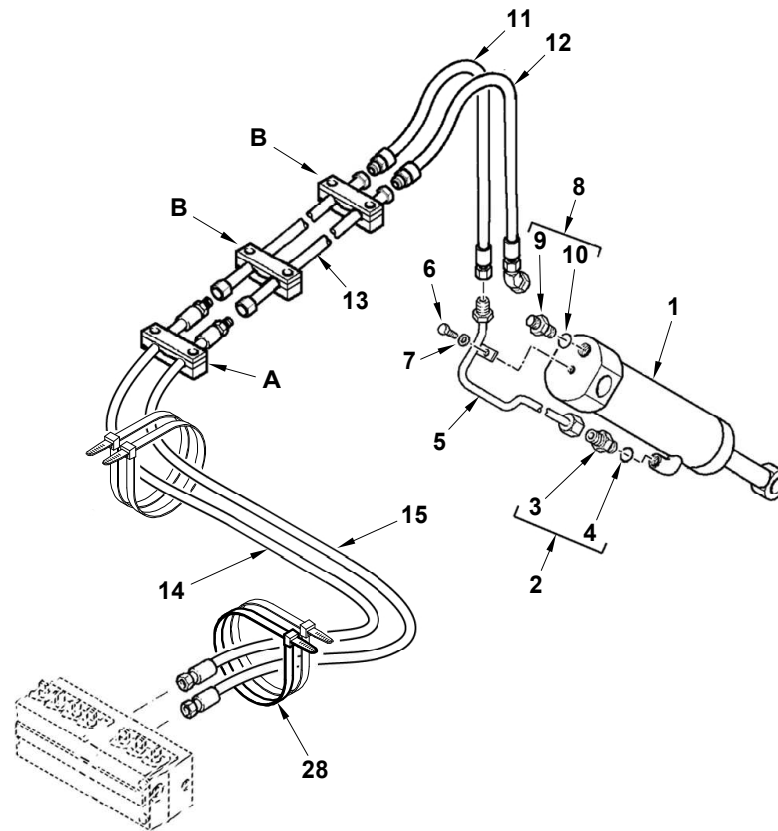
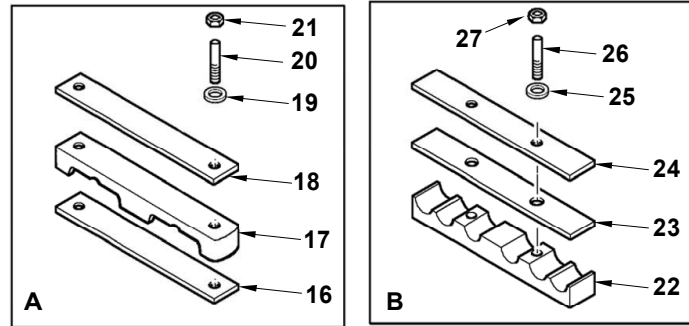
C-76041-07.1-A



Item	Part No.	Qty.	English	French	German	Spanish	Remarks
1	358728X91	1	Tee	Te	T-Stück	Te	
2	#TEE	1	Tee	Tee	Tee	Tee	Ref. 1
3	831497M1	1	O-Ring	Joint Torique	O-Ring	Junta De Tipo O	
4	6100716M91	1	Hose Slew Trsfr	Flexible Ass.	Schlauch Kplt	Flexible, Conj.	
5	6100589M91	1	Tube Slew Trsf RH	Tuyauterie	Rohrleitung Kplt	Conjunto De Tubería	Pacoma
5	6111175M92	1	Tube Assy Slew	Ensemble Tube	Rohr Kpl	Conj.De Tubo	RH Wipro
5	6100587M91	1	Tube Slew Trsf LH	Tuyauterie	Rohrleitung Kplt	Conjunto De Tubería	Pacoma
5	6111174M92	1	Tube Assy Slew	Ensemble Tube	Rohr Kpl	Conj. De Tubo	LH Wipro
6	#TUBE	1	Tube	Tube	Tube	Tube	Ref. 5
7	394923X1	1	O Ring	Joint Torique	O Ring	Junta De Tipo O	
8	357197X91	2	Elbow & O Ring	Coude	Kniestück, 90°	Codo, 90°	
9	#ELBOW	1	Elbow	Elbow	Elbow	Elbow	Ref. 8
10	831452M1	1	O Ring (Pack Of 10)	Joint Torique	O Ring	Junta De Tipo O	
11	6100716M91	1	Hose Slew Trsfr	Flexible Ass.	Schlauch Kplt	Flexible, Conj.	
12	358728X91	1	Tee	Te	T-Stück	Te	
13	#TEE	1	Tee	Tee	Tee	Tee	Ref. 12
14	831497M1	1	O-Ring	Joint Torique	O-Ring	Junta De Tipo O	
15	6100715M92	1	Hose-Digger-Green	Flexible Ass.	Schlauch Kplt	Flexible, Conj.	Purple
16	6101866M93	1	Hose-Digger-Green	Flexible Ass.	Schlauch Kplt	Flexible, Conj.	Green
17	3517114M2	2	P - Clip	Collier De Fixation	Befestigungsschelle	Argolla De Fijación	
18	385361X1	2	Washer M8 Hardened	Rondelle M8	Scheibe M8	Arandela	
19	339228X1	2	Bolt, Hex. - M8 X 12 (Coarse)	Boulon M8 X 12	Maschschraube M8	Tornillo	
20	1862425M1	1	Tie 385mm T50I	Attache Cable	Kabelbinder	Enlace De Cable	



C-76042-01.1-B



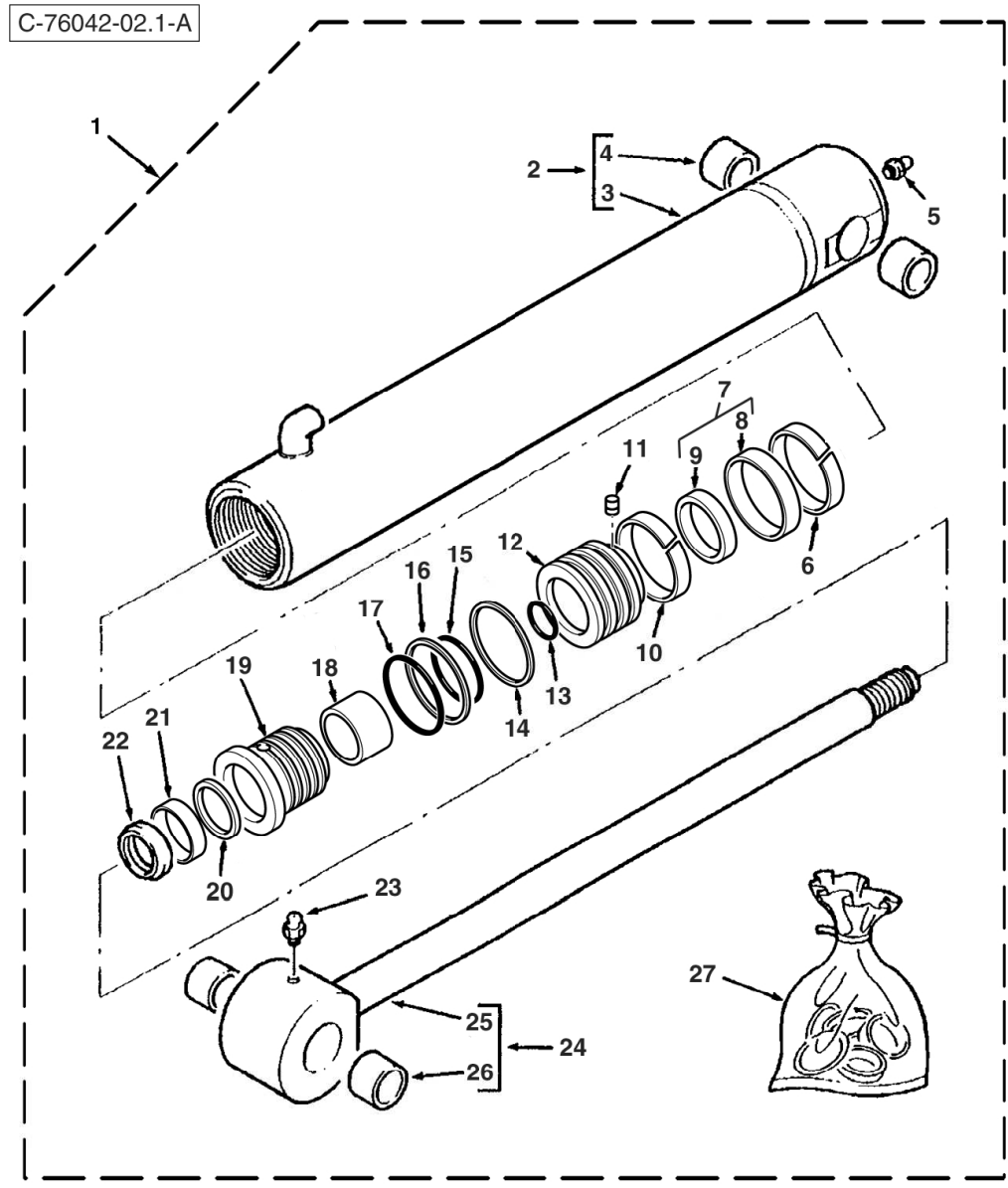
Item	Part No.	Qty.	English	French	German	Spanish	Remarks
1	#CYLINDER ASSY	1	Cylinder Assy	Cylinder Assy	Cylinder Assy	Cylinder Assy	76042c02.1 1 76042c02.2 1
2	835013M91	1	Connector 7/8 Jic	Raccord	Schraubanschluss	Conexión, Conj.	
3	#UNION	1	Union	Union	Union	Union	Ref. 2
4	835024M1	1	Ring O - Boa	Joint Torique	O Ring	Junta De Tipo O	
5	6111161M91	1	Tube Assembly - Digger Bucket Cylinder	Tuyauterie	Rohrleitung Kplt	Conjunto De Tubería	Tba Wipro
5	6101540M91	1	Tube Assy Bucket	Tuyauterie	Rohrleitung Kplt	Conjunto De Tubería	Tba Pacoma
6	339123X1	1	Bolt M8-20 Z5f	Boulon M8 X 20	Maschschraube M8	Perno	
7	385361X1	1	Washer M8 Hardened	Rondelle M8	Scheibe M8	Arandela	
8	835013M91	1	Connector 7/8 Jic	Raccord	Schraubanschluss	Conexión, Conj.	
9	#UNION	1	Union	Union	Union	Union	Ref. 8
10	835024M1	1	Ring O - Boa	Joint Torique	O Ring	Junta De Tipo O	
11	6102309M91	1	Hose-Bucket Rod-Std	Flexible Ass.	Schlauch Kplt	Flexible, Conj.	Brown
12	6107024M91	1	Hose-Bucket HD Std	Flexible Ass.	Schlauch Kplt	Flexible, Conj.	White
13	6111139M91	2	Tube Assy - Bkt 4.9m Boom	Ensemble Tube	Rohr Kpl	Conjunto De Tubería	Ec05/328
13	6101431M91	2	Tube-4.9 Boom Bucket	Tuyauterie	Rohrleitung Kplt	Conjunto De Tubería	Ec05/328
14	6102945M91	1	Hose-Bucket Rod-Brown	Flexible Ass.	Schlauch Kplt	Flexible, Conj.	Brown Ec05/328
14	6111143M91	1	Hose Assy - Bucket Rod (Brown C/Mount)	Ensemble Durit	Schlauch Kpl	Flexible, Conj.	Brown Ec05/328
15	6111144M91	1	Hose Assy- Bucket HD (White Centremount)	Ensemble Durit	Schlauch Kpl	Flexible, Conj.	White Ec05/328
15	6102942M91	1	Hose-Bucket Head-White	Flexible Ass.	Schlauch Kplt	Flexible, Conj.	White Ec05/328
16	6102128M1	1	Pad-Neoprene	Plaque Antidérapante	Zwischenlage	Cinta Antideslizante	
17	6102122M1	1	Clamp	Collier De Serrage	Klemme	Brida De Fijación	
18	6102130M1	1	Plate-Clamp	Plaque	Platte	Placa	
19	390972X1	2	Washer M8-17-1 Zwl	Rondelle M8	Scheibe - M8	Arandela	
20	3516075M1	2	Stud M8-65 Z5	Goujon	Stehbolzen	Espárrago	
21	394367X1	2	Nut, Hex. - Nyloc, M8	Ecrou Blocage M8	Flachmutter - M8	Tuerca De Retención	
22	6102126M1	2	Clamp	Collier De Serrage	Klemme	Brida De Fijación	
23	6102145M1	2	Pad-Neoprene	Plaque Antidérapante	Zwischenlage	Cinta Antideslizante	
24	6102124M1	2	Plate-Top	Plaque	Platte	Placa	
25	390972X1	4	Washer M8-17-1 Zwl	Rondelle M8	Scheibe - M8	Arandela	
26	6108049M1	4	Stud M8	Goujon	Stehbolzen	Espárrago	





<b>Item</b>	<b>Part No.</b>	<b>Qty.</b>	<b>English</b>	<b>French</b>	<b>German</b>	<b>Spanish</b>	<b>Remarks</b>
27	394367X1	4	Nut, Hex. - Nyloc, M8	Ecrou Blocage M8	Flachmutter - M8	Tuerca De Retención	
28	8000-1379	4	Tie Wrap ( 530 X 13mm )	Bride	Buegel	Banda	

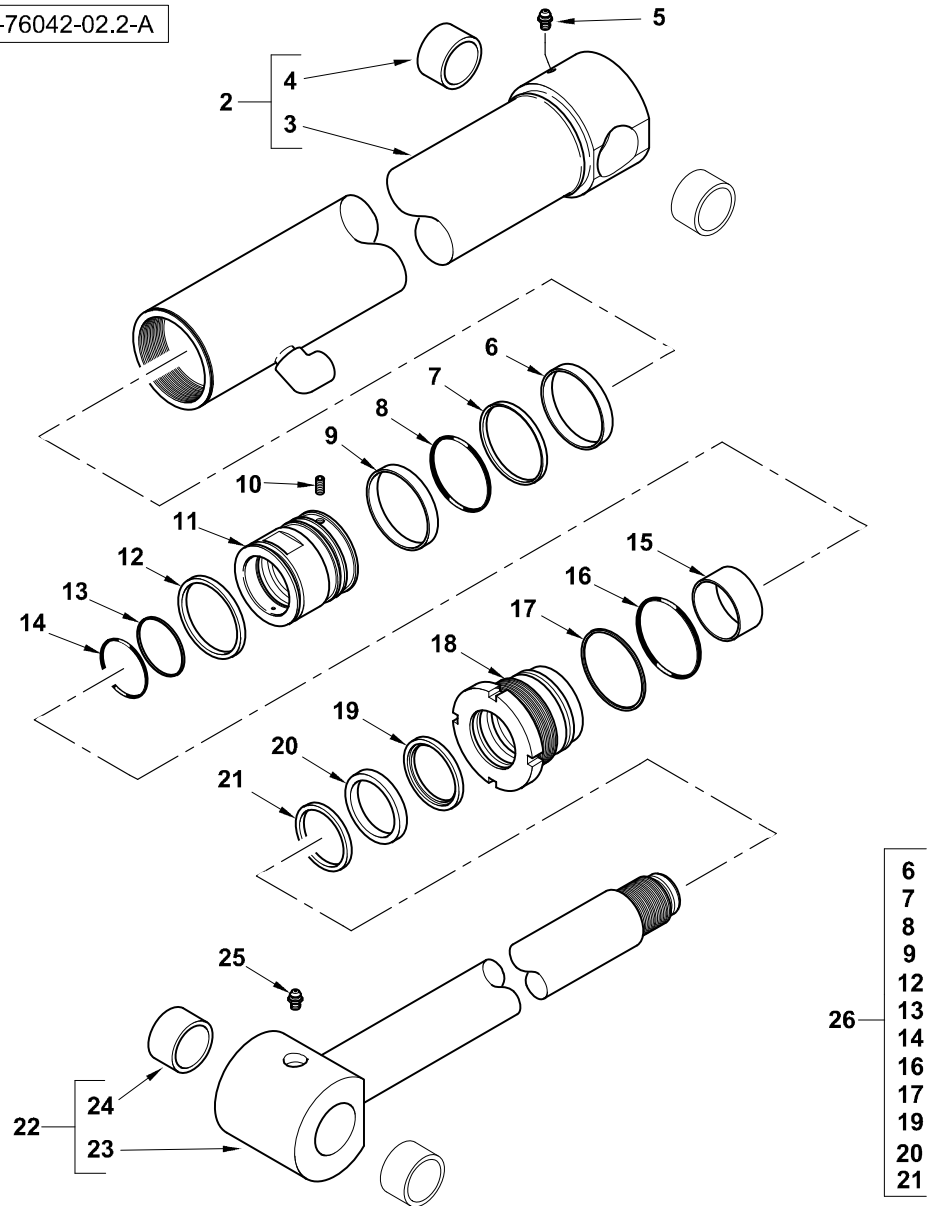




Item	Part No.	Qty.	English	French	German	Spanish	Remarks
1	5000126M91GY02	1	Cylinder Digger Bucket (Benford Grey)	L´Hie Hydraulique	Zylinder Hydr.	Gato, Conj.	Tba [76042c01.1 1]
2	5004008M91	1	Barrel Assy	Cylindre	Zylinder	Cilindro	
3	#TUBE, CYLINDER	1	Tube, Cylinder	Tube, Cylinder	Tube, Cylinder	Tube, Cylinder	Ref. 2
4	#BUSHING	1	Bushing	Douille	Busche	Boccola	
5	339608X1	1	Grease Nipple - M10 X 1 (Zinc)	Nipple De Graissage	Schmiernippel	Engrasador	
6	3485892M1	1	Guide Ring Piston	Bague D´Étanchéité	Dichtungsring	Anillo, Estanqueidad	
7	3485245M91	1	Seal Assy Piston	Joint Ass.	Dichtung Kplt	Junta, Conj.	
8	#SEAL	1	Seal	Joint Étanchéité	Dichtring	Retén	Ref. 7
9	#RING	1	Ring	Anneau	Ring	Aro	Ref. 7
10	3485892M1	1	Guide Ring Piston	Bague D´Étanchéité	Dichtungsring	Anillo, Estanqueidad	
11	3402928M1	1	Screw, Socket Head - Piston Locating	Vis Tête Hex	Zylinderschraube	Tornillo	
12	3623372M1	1	Piston	Piston	Kolben	Pistón	
13	359186X1	1	O-Ring	Joint Torique	O-Ring	Junta De Tipo O	
14	3623061M1	1	Ring Piston	Segment De Piston	Kolbenring	Segmento De Pistón	
15	359193X1	1	O-Ring	Joint Torique	O-Ring	Junta De Tipo O	
16	1606735M1	1	Ring Back-Up	Contre Bague	Stützring	ContraJunta	
17	3487207M1	1	O-Ring	Joint Torique	O-Ring	Junta De Tipo O	
18	3484615M1	1	Guide Ring	Anneau	Ring	Aro	
19	3623371M1	1	Gland - Bucket Cylinder	Presse Étoupe	Stopfbuchse	Cojinete	
20	3484055M1	1	Ring Buffer	Anneau	Ring	Aro	
21	3485185M1	1	Seal	Joint D´Arbre	Wellendichtring	Junta	
22	3487015M1	1	Wiper Ring	Anneau	Ring	Aro	
23	339608X1	1	Grease Nipple - M10 X 1 (Zinc)	Nipple De Graissage	Schmiernippel	Engrasador	
24	5004012M91	1	Piston Rod Assy - Nla	Tige De Vérin	Kolbenstange	Vástago Cilindro	
25	#ROD, PISTON	1	Rod, Piston	Rod, Piston	Rod, Piston	Rod, Piston	Ref. 24
26	#BUSHING	1	Bushing	Douille	Busche	Boccola	
27	3623373M91	1	Kit Seal	Jeu Etancheite	Dichtringsatz	Juego De Juntas	

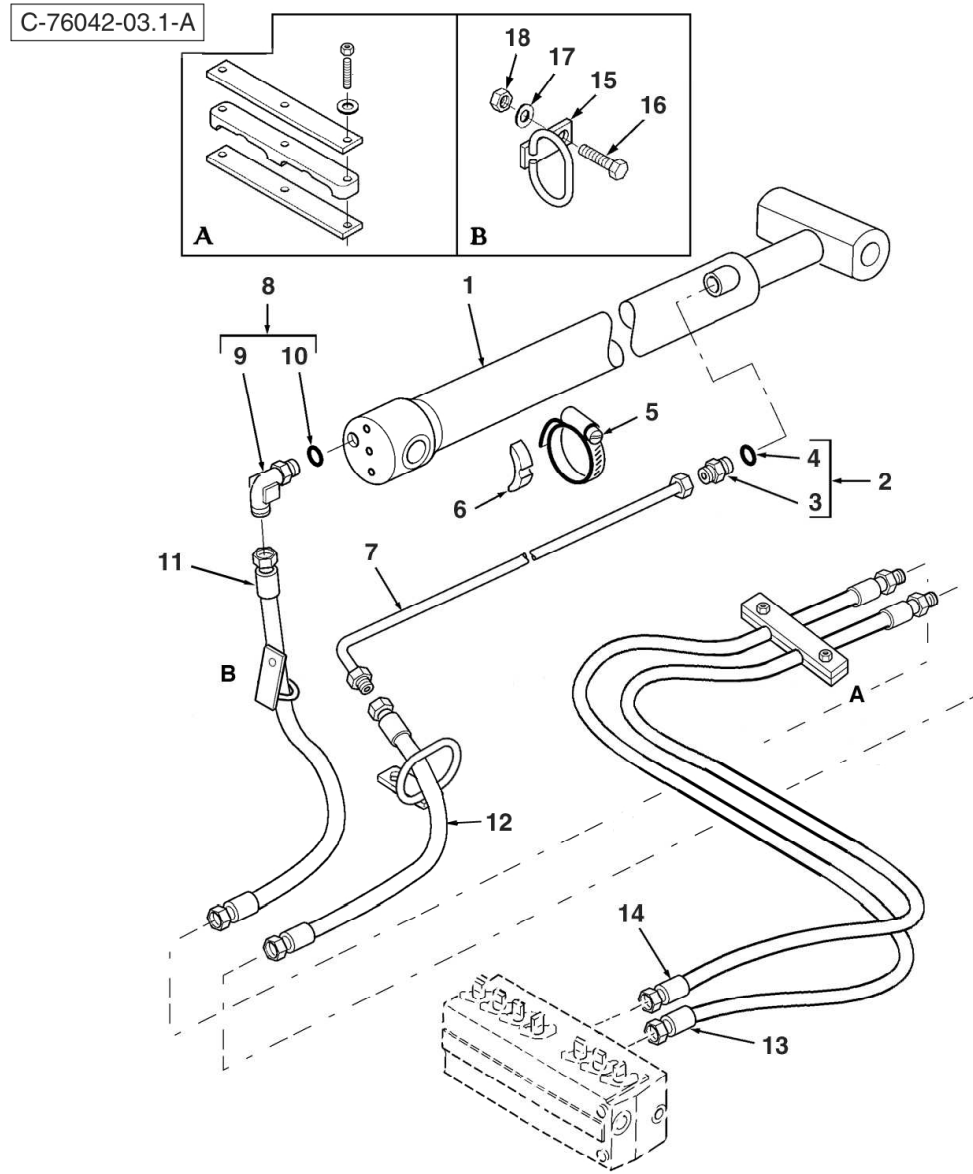


C-76042-02.2-A



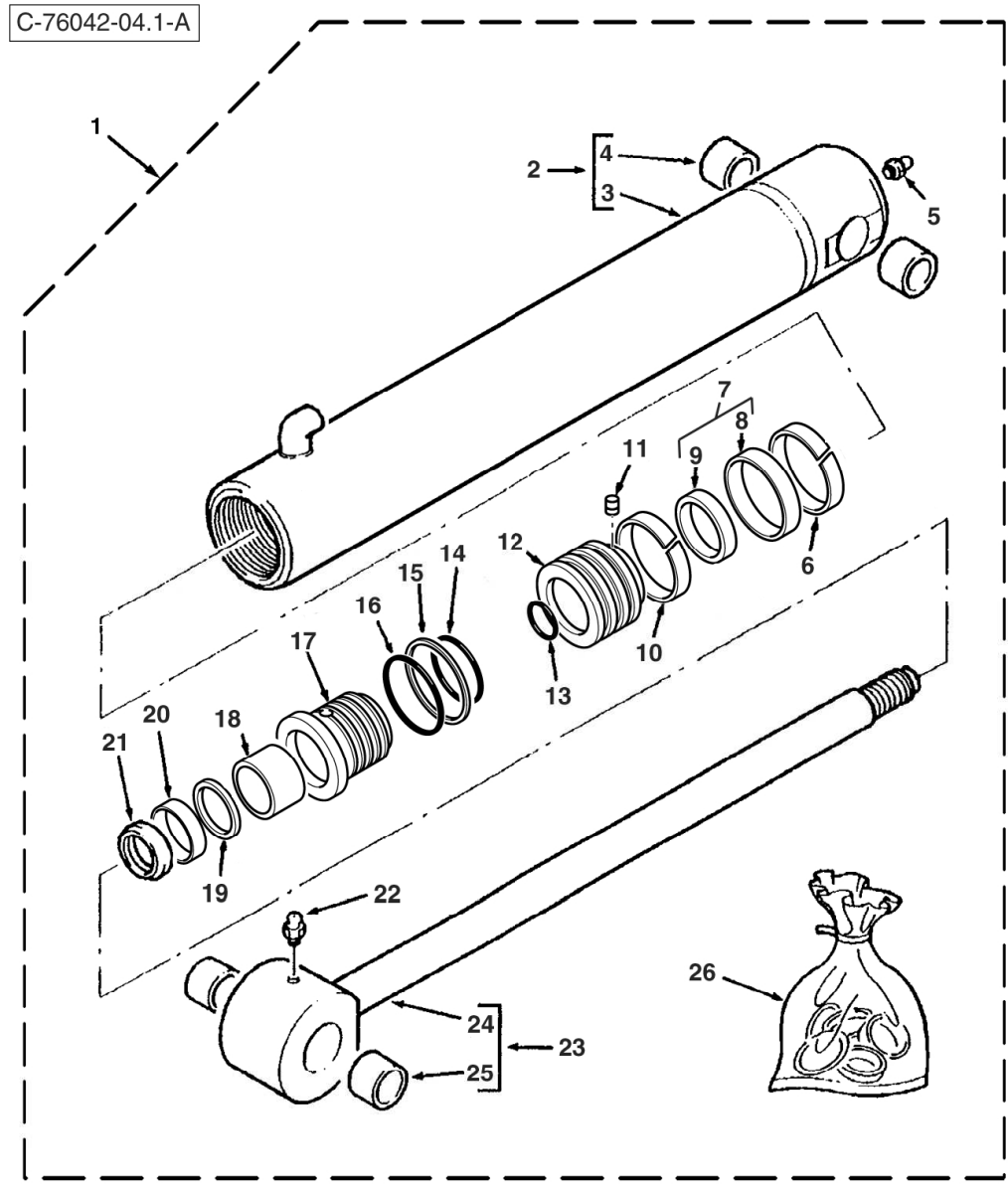
Item	Part No.	Qty.	English	French	German	Spanish	Remarks
1	6111070M91GY03	1	Cylinder- Digger Bucket	Cylindre	Zylinder	Gato, Conj.	Tba [76042c01.1 1]
2	6194629M91	1	Barrel - Cylinder	Corps Cylindre	Zylindergehäuse	Tubo	
3	#TUBE	1	Tube	Tube	Tube	Tube	Ref. 2
4	6194562M1	2	Bush	Douille	Büchse	Casquillo	
5	6194542M1	1	Nipple - Grease	Graisseur Coude	Nippel	Manguito, Engrasador	
6	6194634M1	1	Bearing - Piston	Coussinet	Lager	Teniendo - Pistón	
7	6194635M1	1	Seal - Piston	Joint Étanchéité	Dichtring	Junta	
8	6194636M1	1	O Ring (Std)	Joint Torique	O Ring	Junta De Tipo O	
9	6194634M1	1	Bearing - Piston	Coussinet	Lager	Teniendo - Pistón	
10	6194633M1	1	Set Screw - Hex Socket	Vis Tete Hex	Zylinderschraube	Tornillo De Ajuste	
11	6194631M1	1	Piston	Piston	Kolben	Pistón	
12	6194637M1	1	Ring - Piston	Segment Piston	Kolbenring	Segmento De Pistón	
13	6194625M1	1	Ring - Back Up	Contre Bague	Stutzring	ContraJunta	
14	6194624M1	1	O Ring (Std)	Joint Torique	O Ring	Junta De Tipo O	
15	6194541M1	1	Bush - Bimetal	Douille	Büchse	Juego De Anillos	
16	6194640M1	1	O Ring (Std)	Joint Torique	O Ring	Junta De Tipo O	
17	6194641M1	1	Ring - Back Up	Contre Bague	Stutzring	ContraJunta	
18	6194632M1	1	End Cover - Head	Couvercle	Deckel	Tapa	
19	6194638M1	1	Seal - Rod (Primary)	Joint Étanchéité	Dichtring	Junta	
20	6194639M1	1	Seal- Rod (Secondary)	Joint Étanchéité	Dichtring	Junta	
21	6194554M1	1	Wiper	Essuyeur	Wischer	Raspador, Escobilla	
22	6194630M91	1	Rod - Piston	Bielle De Piston	Pleuelstange	Rod - Pistón	
23	#ROD	1	Rod	Rod	Rod	Rod	Ref. 22
24	6194562M1	2	Bush	Douille	Büchse	Casquillo	
25	6194542M1	1	Nipple - Grease	Graisseur Coude	Nippel	Manguito, Engrasador	
26	6194642M91	0	Seal Kit	Jeu Etancheite	Dichtringsatz	Juego De Juntas	





Item	Part No.	Qty.	English	French	German	Spanish	Remarks
1	#CYLINDER ASSY	1	Cylinder Assy	Cylinder Assy	Cylinder Assy	Cylinder Assy	76042c04.1 1 76042c04.2 1
2	835013M91	1	Connector 7/8 Jic	Raccord	Schraubanschluss	Conexión, Conj.	
3	#UNION	1	Union	Union	Union	Union	Ref. 2
4	835024M1	1	Ring O - Boa	Joint Torique	O Ring	Junta De Tipo O	
5	3517733M1	1	Clamp Hose 130-150	Collier De Serrage	Schlauchbinder	Argolla De Cierre	
6	D142787	1	Saddle (See 142787d)	Selle	Sattel	Bloque De Caucho	
7	6111162M91	1	Tube Assembly - Dipper Cylinder	Tuyauterie	Rohrleitung Kplt	Conjunto De Tubería	Tba Wipro
7	6100976M92	1	Tube Assy. - Dipperstick Cylinder	Tuyauterie	Rohrleitung Kplt	Conjunto De Tubería	Tba Pacoma
8	6101624M91	1	Elbow 90deg-Long	Coude À 90°	Winkelstuck	Codo, 90°	
9	#ELBOW	1	Elbow	Elbow	Elbow	Elbow	Ref. 8
10	835024M1	1	Ring O - Boa	Joint Torique	O Ring	Junta De Tipo O	
11	6101738M91	1	Hose-Dipper Head	Flexible Ass.	Schlauch Kplt	Flexible, Conj.	Yellow
12	6101737M91	1	Hose-Dipper Rod	Flexible Ass.	Schlauch Kplt	Flexible, Conj.	Red
13	6102941M91	1	Hose-Dipper Head-Yellow	Flexible Ass.	Schlauch Kplt	Flexible, Conj.	Yellow
14	6102944M91	1	Hose-Dipper Rod	Flexible Ass.	Schlauch Kplt	Flexible, Conj.	Red
15	6101491M92	2	Hose Hoop Assy	Ensemble De Support	Haltevorrichtung Kpl.	Apoyadero, Conj.	
16	339761X1	2	Bolt M8-25 Z5f	Goupille	Bolzen M8 X 25	Tornillo	
17	390972X1	2	Washer M8-17-1 Zwel	Rondelle M8	Scheibe - M8	Arandela	
18	394367X1	2	Nut, Hex. - Nyloc, M8	Ecrou Blocage M8	Flachmutter - M8	Tuerca De Retención	



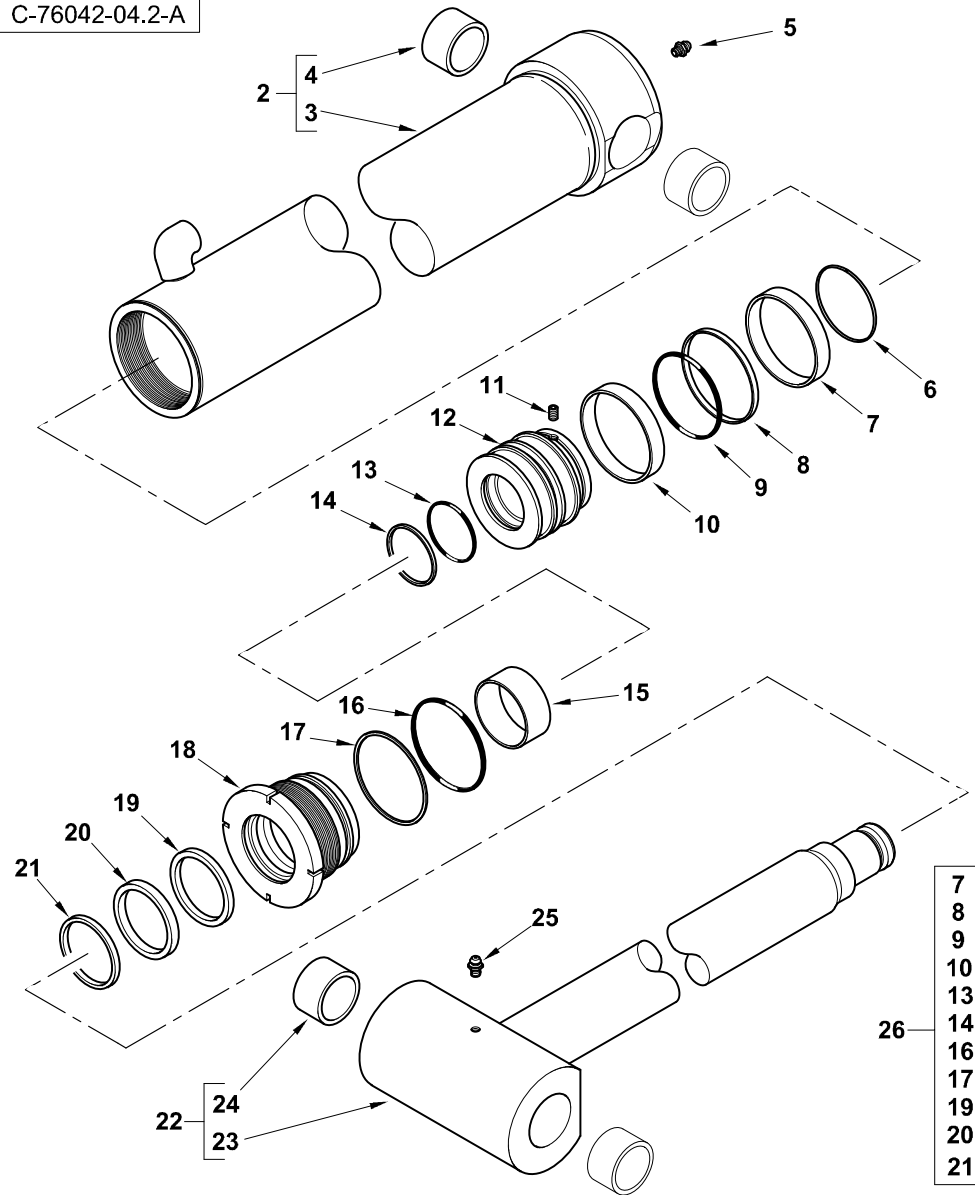




Item	Part No.	Qty.	English	French	German	Spanish	Remarks
1	5000124M91GY02	1	Cylinder Dipperstick (Benford Grey)	L' Hie Hydraulique	Zylinder Hydr.	Gato, Conj.	76042c03.1 1 [76042c03.1 1]
2	5003982M91	1	Barrel Assy. - Dipper Cylinder	Corps Cylindre	Zylindergehause	Cilindro	
3	#TUBE, CYLINDER	1	Tube, Cylinder	Tube, Cylinder	Tube, Cylinder	Tube, Cylinder	Ref. 2
4	3484843M1	1	Bush, Hydr. Cylinders	Douille	Buechse	Casquillo	
5	339608X1	1	Grease Nipple - M10 X 1 (Zinc)	Nipple De Graissage	Schmiernippel	Engrasador	
6	3485891M1	1	Guide Ring Piston	Anneau	Ring	Aro	
7	3485247M91	1	Seal Piston	Joint	Dichtung	Junta, Conj.	
8	#SEAL	1	Seal	Joint Étanchéité	Dichtring	Retén	Ref. 7
9	#RING	1	Ring	Anneau	Ring	Aro	Ref. 7
10	3485891M1	1	Guide Ring Piston	Anneau	Ring	Aro	
11	3402928M1	1	Screw, Socket Head - Piston Locating	Vis Tête Hex	Zylinderschraube	Tornillo	
12	5003989M1	1	Piston	Piston	Kolben	Pistón	
13	3007182X1	1	O-Ring	Joint Torique	O-Ring	Junta De Tipo O	
14	359196X1	1	O Ring	Joint Torique	O Ring	Junta De Tipo O	
15	378545X1	1	Ring - Backup	Contre Bague	Stutzring	Aro	
16	3487908M1	1	O Ring, Hydr. Cylinder	Joint Torique	O Ring	Junta De Tipo O	
17	5003988M1	1	Bearing Cylinder	Roulement	Lager	Cojinete	
18	3623193M1	1	Guide Ring	Anneau	Ring	Aro	
19	3443388M1	1	Ring - Back Up	Anneau	Ring	Aro	
20	3443472M1	1	Seal	Joint D' Arbre	Wellendichtring	Junta	
21	3403385M1	1	Wiper Ring	Joint De Racleur	Abstreifdichtung	Junta Raspador	
22	339608X1	1	Grease Nipple - M10 X 1 (Zinc)	Nipple De Graissage	Schmiernippel	Engrasador	
23	5003985M91	1	Piston Rod Assy	Tige De Vérin	Kolbenstange	Vástago Cilindro	
24	#ROD, PISTON	1	Rod, Piston	Rod, Piston	Rod, Piston	Rod, Piston	Ref. 23
25	3484843M1	1	Bush, Hydr. Cylinders	Douille	Buechse	Casquillo	
26	5004401M91	1	Kit Seal	Jeu Étanchéité	Dichtringsatz	Juego De Juntas	



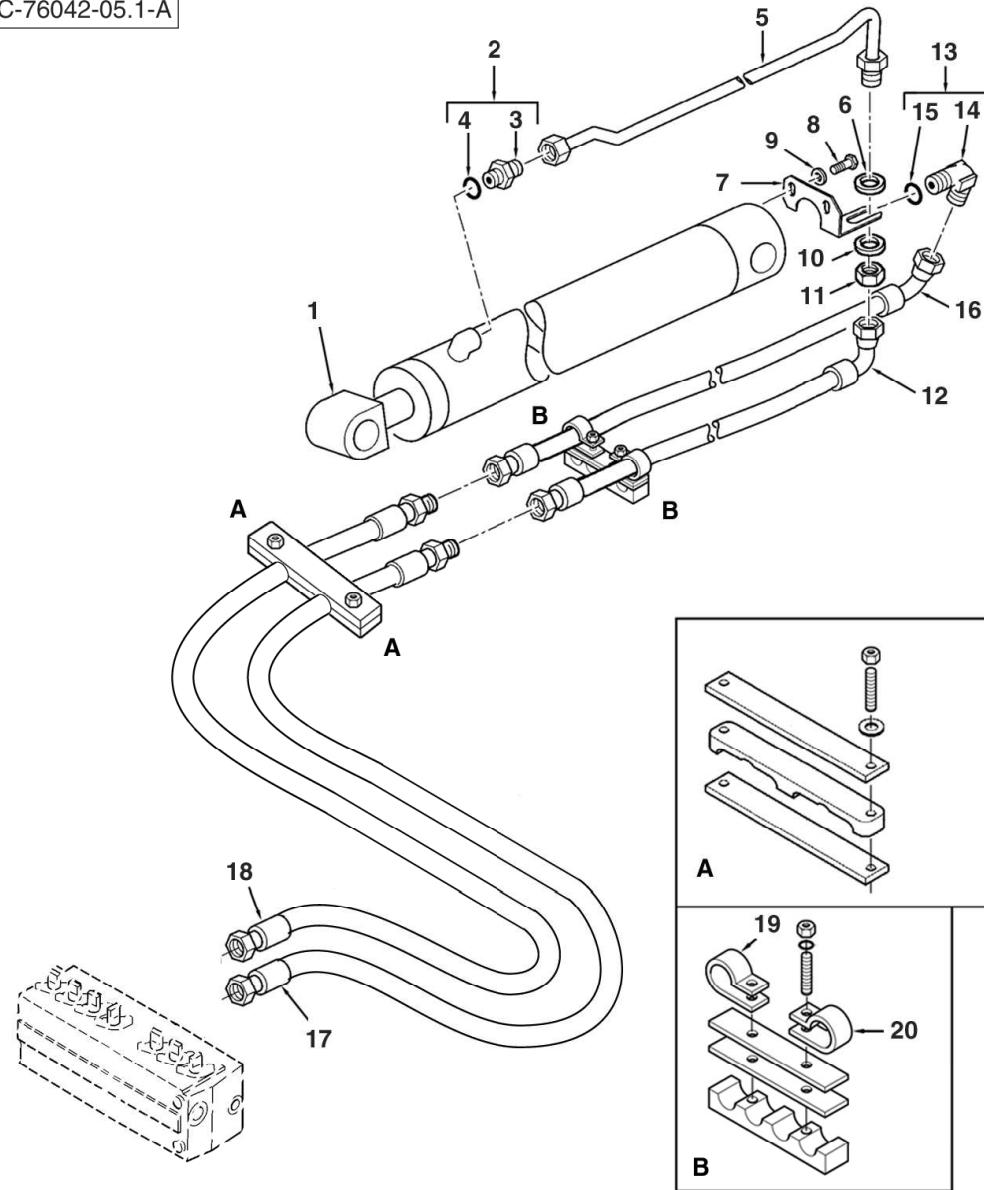
C-76042-04.2-A



Item	Part No.	Qty.	English	French	German	Spanish	Remarks
1	6111069M91GY03	1	Cylinder - Dipperstick	Cylindre	Zylinder	Gato, Conj.	Tba [76042c03.1 1]
2	6194615M91	1	Barrel - Cylinder	Corps Cylindre	Zylindergehäuse	Conjunto De Tubería	
3	#TUBE	1	Tube	Tube	Tube	Tube	Ref. 2
4	6194562M1	2	Bush	Douille	Büchse	Casquillo	
5	6194542M1	1	Nipple - Grease	Graisseur Coude	Nippel	Manguito, Engrasador	
6	6194620M1	1	Ring - Snap	Fermeoir	Sprengring	Anillo De Resorte	
7	6194621M1	1	Bearing - Piston	Coussinet	Lager	Teniendo - Pistón	
8	6194622M1	1	Seal - Piston	Joint Étanchéité	Dichtring	Junta	
9	6194623M1	1	O Ring (Std)	Joint Torique	O Ring	Junta De Tipo O	
10	6194621M1	1	Bearing - Piston	Coussinet	Lager	Teniendo - Pistón	
11	6194619M1	1	Set Screw	Vis	Schraube	Tornillo De Ajuste	
12	6194617M1	1	Piston	Piston	Kolben	Pistón	
13	6194624M1	1	O Ring (Std)	Joint Torique	O Ring	Junta De Tipo O	
14	6194625M1	1	Ring - Back Up	Contre Bague	Stutzring	ContraJunta	
15	6194565M1	1	Bush - Bimetal	Douille	Büchse	Juego De Anillos	
16	6194626M1	1	O Ring (Std)	Joint Torique	O Ring	Junta De Tipo O	
17	6194627M1	1	Ring - Back Up	Contre Bague	Stutzring	ContraJunta	
18	6194618M1	1	End Cover - Head	Couvercle	Deckel	Tapa	
19	6194575M1	1	Seal - Rod (Primary)	Joint Étanchéité	Dichtring	Junta	
20	6194576M1	1	Seal- Rod (Secondary)	Joint Étanchéité	Dichtring	Junta	
21	6194573M1	1	Wiper	Essuyeur	Wischer	Raspador, Escobilla	
22	6194616M91	1	Rod - Piston	Bielle De Piston	Pleuelstange	Rod - Pistón	
23	#ROD	1	Rod	Rod	Rod	Rod	Ref. 22
24	6194562M1	2	Bush	Douille	Büchse	Casquillo	
25	6194542M1	1	Nipple - Grease	Graisseur Coude	Nippel	Manguito, Engrasador	
26	6194628M91	0	Seal Kit	Jeu Etancheite	Dichtringsatz	Juego De Juntas	

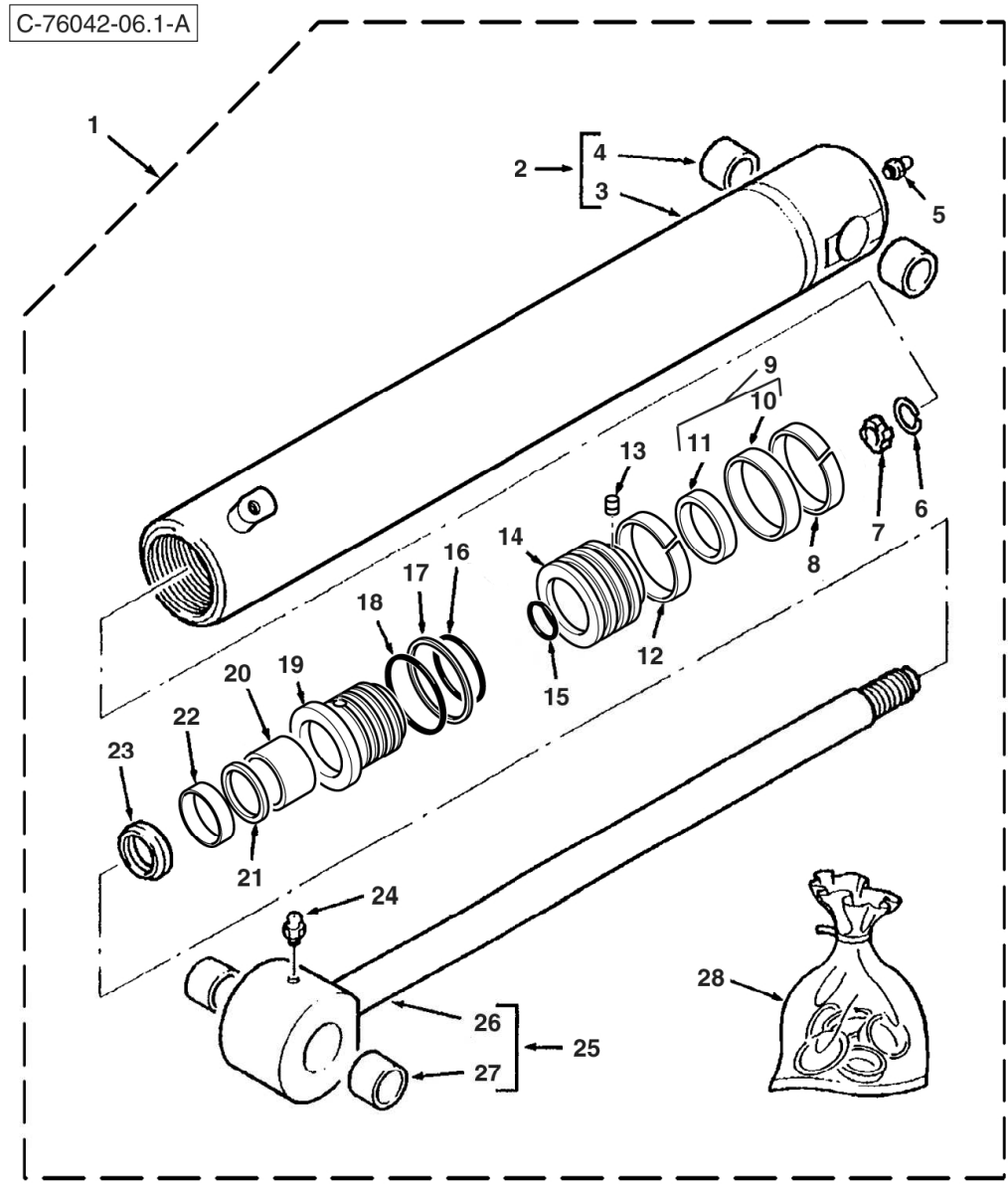


C-76042-05.1-A



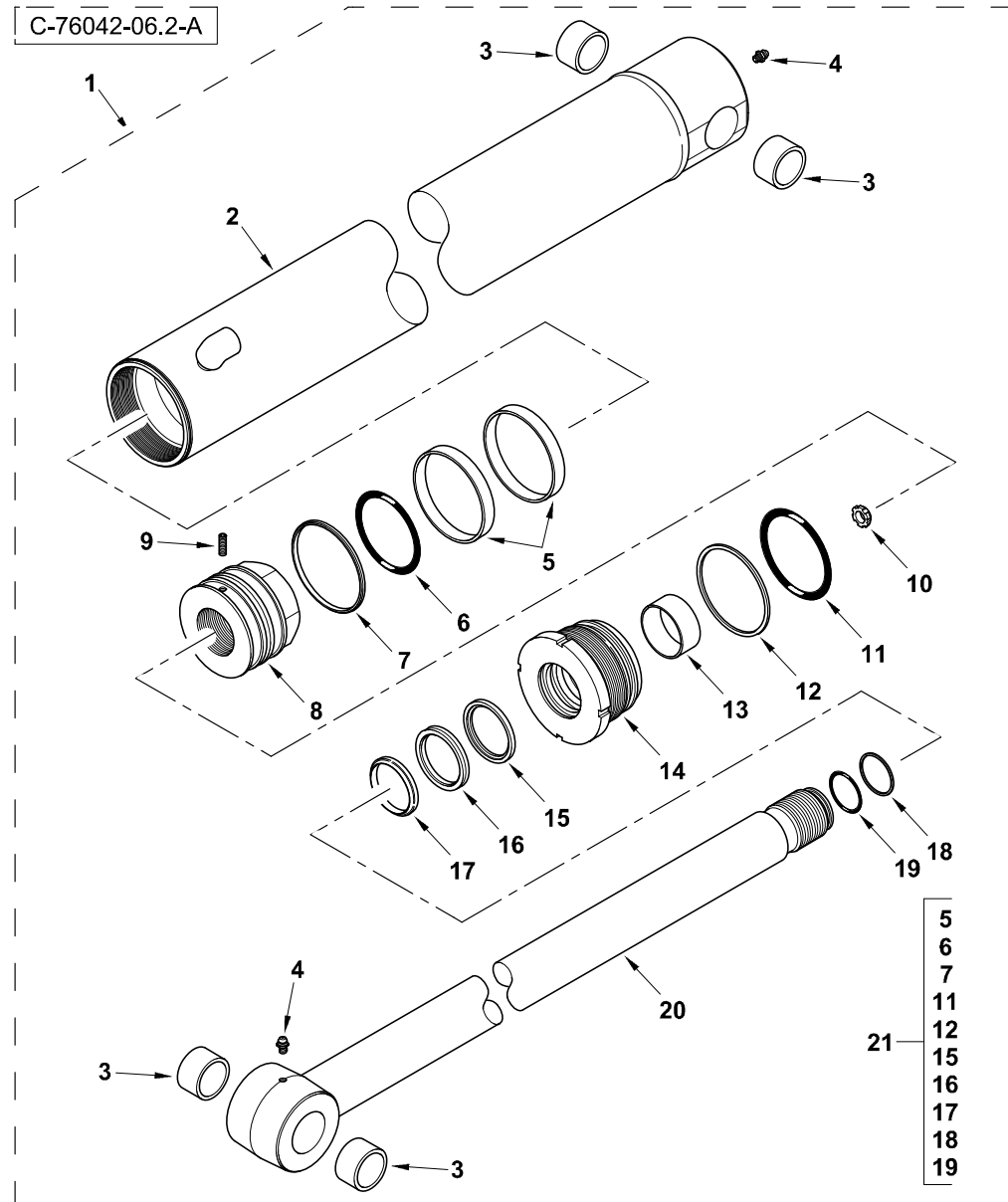
Item	Part No.	Qty.	English	French	German	Spanish	Remarks
1	6111079M91GY03	1	Cylinder Boom 4.9	Cylinder Boom 4.9	Cylinder Boom 4.9	Cylinder Boom 4.9	Wipro
1	5000123M91	1	Cylinder 4.9m Boom - High Spec.	L' Hie Hydraulique	Zylinder Hydr.	Gato, Conj.	Pacoma
2	835013M91	1	Connector 7/8 Jic	Raccord	Schraubanschluss	Conexión, Conj.	
3	#UNION	1	Union	Union	Union	Union	Ref. 2
4	835024M1	1	Ring O - Boa	Joint Torique	O Ring	Junta De Tipo O	
5	6111164M91	1	Tube Assy Boom Cylinder (4.9)	Tuyauterie	Rohrleitung Kpl.	Conjunto De Tubería	Wipro
5	6100993M91	1	Tube-Cylinder-Boom-4.9	Tuyauterie	Rohrleitung Kplt	Conjunto De Tubería	Pacoma
6	353763X1	1	Washer	Rondelle	Scheibe	Arandela	
7	6100883M1	1	Bracket-Cylinder-Boom	Patte Fixation	Halter	Pata De Fijación	
8	339228X1	2	Bolt, Hex. - M8 X 12 (Coarse)	Boulon M8 X 12	Maschschraube M8	Tornillo	
9	339374X1	2	Washer M8 -21-2 Z	Rondelle Frein - M8	Federring - M8	Arandela De Freno	
10	353763X1	1	Washer	Rondelle	Scheibe	Arandela	
11	355574X1	1	Nut, Hex. - 7/8" Unf, Lock	Ecrou 7/8" Unf	Mutter 7/8" Unf	Tuerca	
12	6101735M92	1	Hose-Boom Cyl Rod	Flexible Ass.	Schlauch Kplt	Flexible, Conj.	Orange
13	835007M91	1	Elbow 90 Degree Adjust	Coude 90°	Kniestück 90°	Codo, 90°	
14	#ELBOW	1	Elbow	Elbow	Elbow	Elbow	Ref. 13
15	835024M1	1	Ring O - Boa	Joint Torique	O Ring	Junta De Tipo O	
16	6101736M92	1	Hose, "Blue" - Boom Cylinder Feed	Flexible	Schlauch	Flexible, Conj.	Blue
17	6102943M91	1	Hose-Boom Rod-Orange	Flexible Ass.	Schlauch Kplt	Flexible, Conj.	Orange
18	6102940M91	1	Hose-Boom Head-Blue	Flexible Ass.	Schlauch Kplt	Flexible, Conj.	Blue
19	515-23270	1	Clip-Coated P	Clip	Klips	Clip	
20	515-23206	1	P Clip Bsr081hs	Bride Pour Tutaux	Schlauchschelle	Abrazadera De Manguera	





Item	Part No.	Qty.	English	French	German	Spanish	Remarks
1	5000123M91	1	Cylinder 4.9m Boom - High Spec.	L´Hie Hydraulique	Zylinder Hydr.	Gato, Conj.	76042c05.1 1
2	5003993M91	1	Barrel Assy	Cylindre	Zylinder	Cilindro	
3	#TUBE, CYLINDER	1	Tube, Cylinder	Tube, Cylinder	Tube, Cylinder	Tube, Cylinder	Ref. 2
4	#BUSHING	2	Bushing	Douille	Busche	Boccola	
5	339608X1	1	Grease Nipple - M10 X 1 (Zinc)	Nipple De Graissage	Schmiernippel	Engrasador	
6	1609899M1	1	Snap Ring	Anneau D´Arrêt	Sprengring	Anillo De Resorte	
7	1609328M1	1	Ring Cushioning	Anneau	Ring	Aro	
8	3403852M1	1	Ring, Guide - Piston	Anneau	Ring	Aro	
9	3485213M91	1	Seal Piston	Joint	Dichtung	Junta, Conj.	
10	#SEAL	1	Seal	Joint Étanchéité	Dichtring	Retén	Ref. 9
11	#SEAL	1	Seal	Joint Étanchéité	Dichtring	Retén	Ref. 9
12	3403852M1	1	Ring, Guide - Piston	Anneau	Ring	Aro	
13	3402928M1	1	Screw, Socket Head - Piston Locating	Vis Tête Hex	Zylinderschraube	Tornillo	
14	3484189M1	1	Piston	Piston	Kolben	Pistón	
15	3007182X1	1	O-Ring	Joint Torique	O-Ring	Junta De Tipo O	
16	359203X1	1	O-Ring	Joint Torique	O-Ring	Junta De Tipo O	
17	367120X1	1	Back-Up Ring	Contre Bague	Stützring	Aro	
18	3487909M1	1	O-Ring	Joint Torique	O-Ring	Junta De Tipo O	
19	3623202M1	1	Bearing	Roulement	Lager	Cojinete	
20	3623193M1	1	Guide Ring	Anneau	Ring	Aro	
21	3443388M1	1	Ring - Back Up	Anneau	Ring	Aro	
22	3443472M1	1	Seal	Joint D´Arbre	Wellendichtring	Junta	
23	3403385M1	1	Wiper Ring	Joint De Racleur	Abstreifdichtung	Junta Raspador	
24	339608X1	1	Grease Nipple - M10 X 1 (Zinc)	Nipple De Graissage	Schmiernippel	Engrasador	
25	3441722M91	1	Piston Rod Assy	Tige De Vérin	Kolbenstange	Vástago Cilindro	
26	#ROD, PISTON	1	Rod, Piston	Rod, Piston	Rod, Piston	Rod, Piston	Ref. 25
27	3484843M1	1	Bush, Hydr. Cylinders	Douille	Buechse	Casquillo	
28	3623589M91	1	Kit, Seal - Hydraulic Cylinder	Jeu Etancheite	Dichtringsatz	Juego De Juntas	

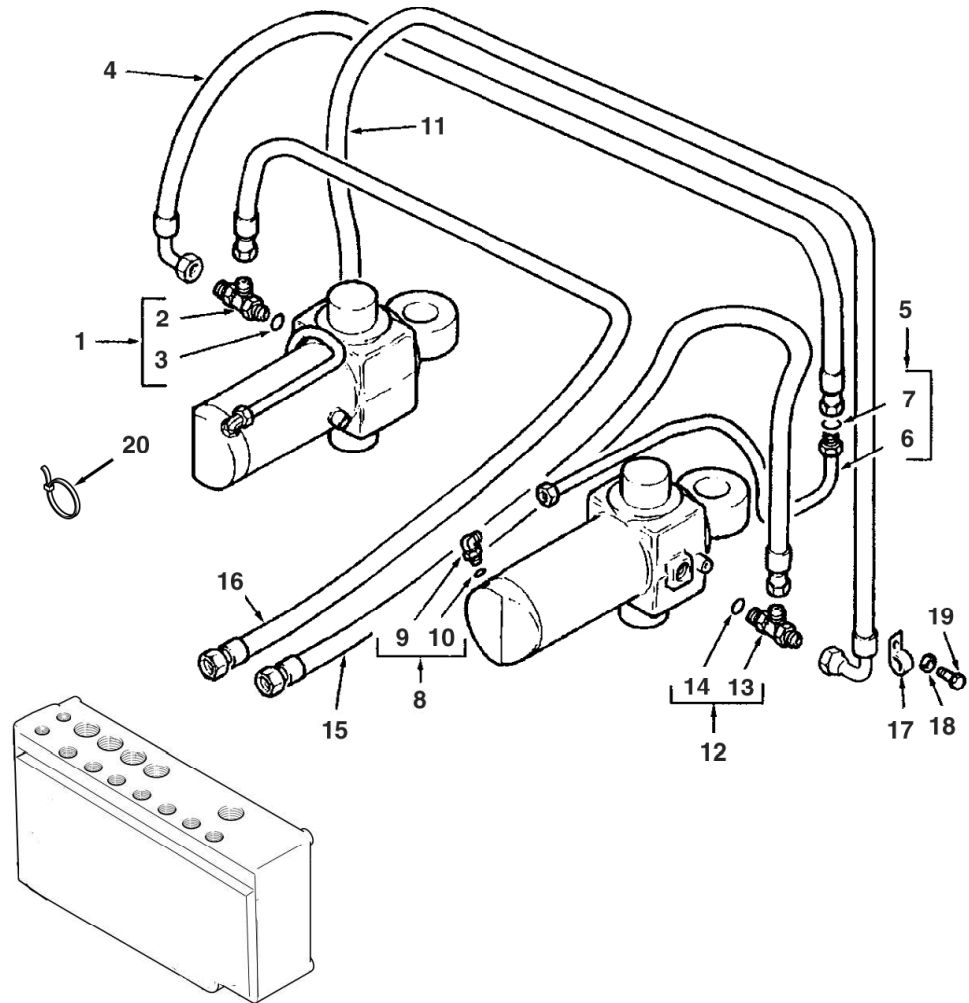






Item	Part No.	Qty.	English	French	German	Spanish	Remarks
1	6111079M91GY03	1	Cylinder Boom 4.9	Cylinder Boom 4.9	Cylinder Boom 4.9	Cylinder Boom 4.9	
2	6195264M91GY03	1	Tube - S/A (Terex Grey)	Tube - S/A (Terex Grey)	Tube - S/A (Terex Grey)	Tube - S/A (Terex Grey)	
3	6195253M1	4	Bush	Douille	Buchse	Casquillo	
4	6194542M1	2	Nipple - Grease	Graisseur Coude	Nippel	Manguito, Engrasador	
5	6195259M1	2	Bearing - Piston	Bearing - Piston	Bearing - Piston	Bearing - Piston	
6	6195258M1	1	O - Ring	O - Ring	O - Ring	O - Ring	
7	6195257M1	1	Seal - Piston	Seal - Piston	Seal - Piston	Seal - Piston	
8	6195251M1	1	Piston	Piston	Piston	Piston	
9	6195236M1	1	Set Screw - Hex Socket	Set Screw - Hex Socket	Set Screw - Hex Socket	Set Screw - Hex Socket	
10	6195235M1	1	Ring - Cushion	Ring - Cushion	Ring - Cushion	Ring - Cushion	
11	6195260M1	1	O - Ring	O - Ring	O - Ring	O - Ring	
12	6195261M1	1	Ring - Back Up	Ring - Back Up	Ring - Back Up	Ring - Back Up	
13	6195256M1	1	Bush - Bimetal	Bush - Bimetal	Bush - Bimetal	Bush - Bimetal	
14	6195252M1	1	Cover - H.E.	Cover - H.E.	Cover - H.E.	Cover - H.E.	
15	6194575M1	1	Seal - Rod (Primary)	Joint Étanchéité	Dichtring	Junta	
16	6195262M1	1	Seal - Rod (Secondary)	Seal - Rod (Secondary)	Seal - Rod (Secondary)	Seal - Rod (Secondary)	
17	6194573M1	1	Wiper	Essuyeur	Wischer	Raspador, Escobilla	
18	6194570M1	1	Ring - Back Up	Contre Bague	Stutzring	ContraJunta	
19	6195247M1	1	O - Ring	O - Ring	O - Ring	O - Ring	
20	6195265M91	1	Piston Rod - S/A	Piston Rod - S/A	Piston Rod - S/A	Piston Rod - S/A	
21	6195263M91	1	Seal Kit	Jeu Etancheite	Dichtringsatz	Juego Retenes	

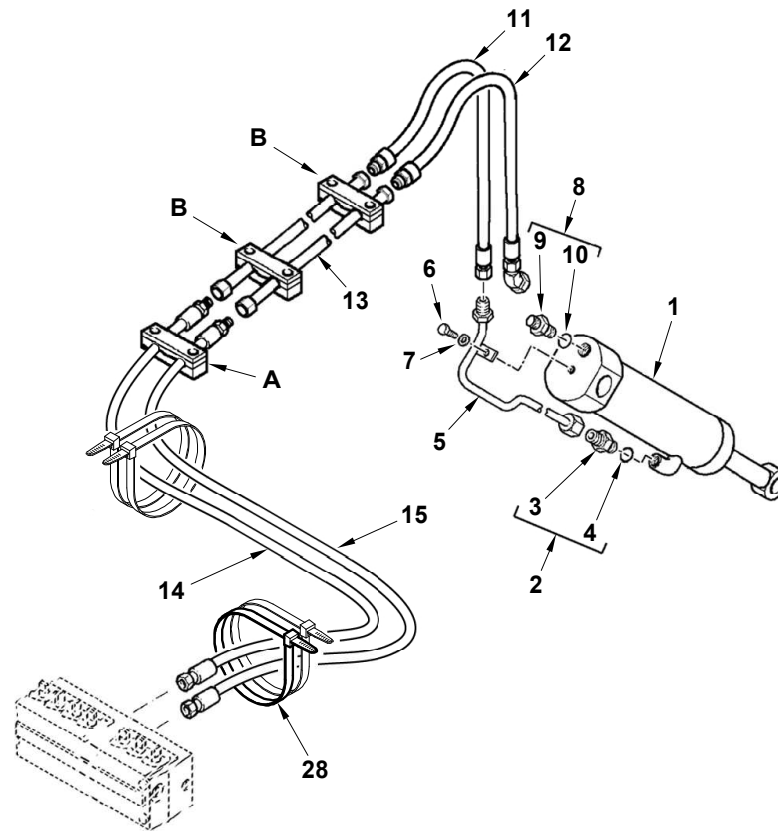
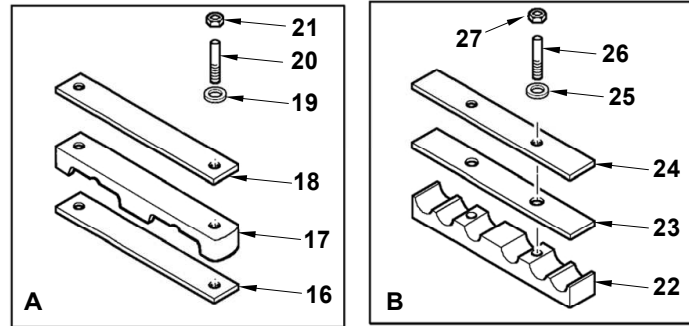
C-76042-07.1-A



Item	Part No.	Qty.	English	French	German	Spanish	Remarks
1	358728X91	1	Tee	Te	T-Stück	Te	
2	#TEE	1	Tee	Tee	Tee	Tee	Ref. 1
3	831497M1	1	O-Ring	Joint Torique	O-Ring	Junta De Tipo O	
4	6100716M91	1	Hose Slew Trsfr	Flexible Ass.	Schlauch Kplt	Flexible, Conj.	
5	6111174M92	1	Tube Assy Slew	Ensemble Tube	Rohr Kpl	Conj. De Tubo	LH Wipro
5	6100589M91	1	Tube Slew Trsf RH	Tuyauterie	Rohrleitung Kplt	Conjunto De Tubería	Pacoma
5	6100587M91	1	Tube Slew Trsf LH	Tuyauterie	Rohrleitung Kplt	Conjunto De Tubería	Pacoma
5	6111175M92	1	Tube Assy Slew	Ensemble Tube	Rohr Kpl	Conj.De Tubo	RH Wipro
6	#TUBE	1	Tube	Tube	Tube	Tube	Ref. 5
7	394923X1	1	O Ring	Joint Torique	O Ring	Junta De Tipo O	
8	357197X91	2	Elbow & O Ring	Coude	Kniestück, 90°	Codo, 90°	
9	#ELBOW	1	Elbow	Elbow	Elbow	Elbow	Ref. 8
10	831452M1	1	O Ring (Pack Of 10)	Joint Torique	O Ring	Junta De Tipo O	
11	6100716M91	1	Hose Slew Trsfr	Flexible Ass.	Schlauch Kplt	Flexible, Conj.	
12	358728X91	1	Tee	Te	T-Stück	Te	
13	#TEE	1	Tee	Tee	Tee	Tee	Ref. 12
14	831497M1	1	O-Ring	Joint Torique	O-Ring	Junta De Tipo O	
15	6100715M92	1	Hose-Digger-Green	Flexible Ass.	Schlauch Kplt	Flexible, Conj.	Purple
16	6101866M93	1	Hose-Digger-Green	Flexible Ass.	Schlauch Kplt	Flexible, Conj.	Green
17	3517114M2	2	P - Clip	Collier De Fixation	Befestigungsschelle	Argolla De Fijación	
18	385361X1	2	Washer M8 Hardened	Rondelle M8	Scheibe M8	Arandela	
19	339228X1	2	Bolt, Hex. - M8 X 12 (Coarse)	Boulon M8 X 12	Maschschraube M8	Tornillo	
20	1862425M1	1	Tie 385mm T50I	Attache Cable	Kabelbinder	Enlace De Cable	

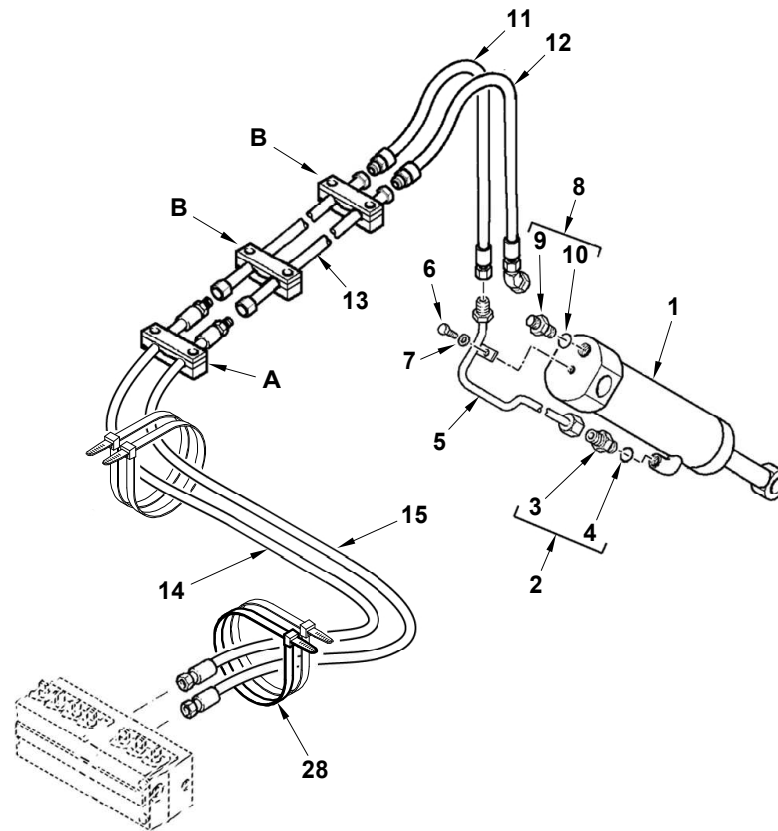
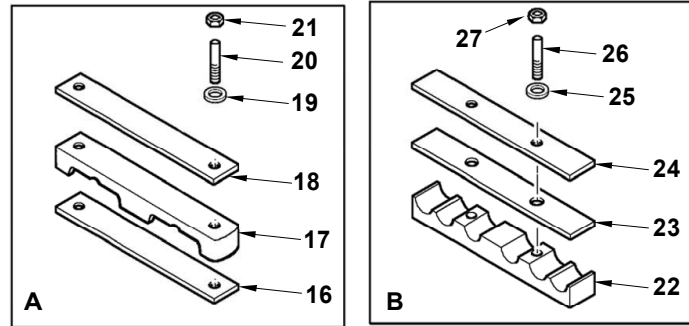


C-76043-01.1-B



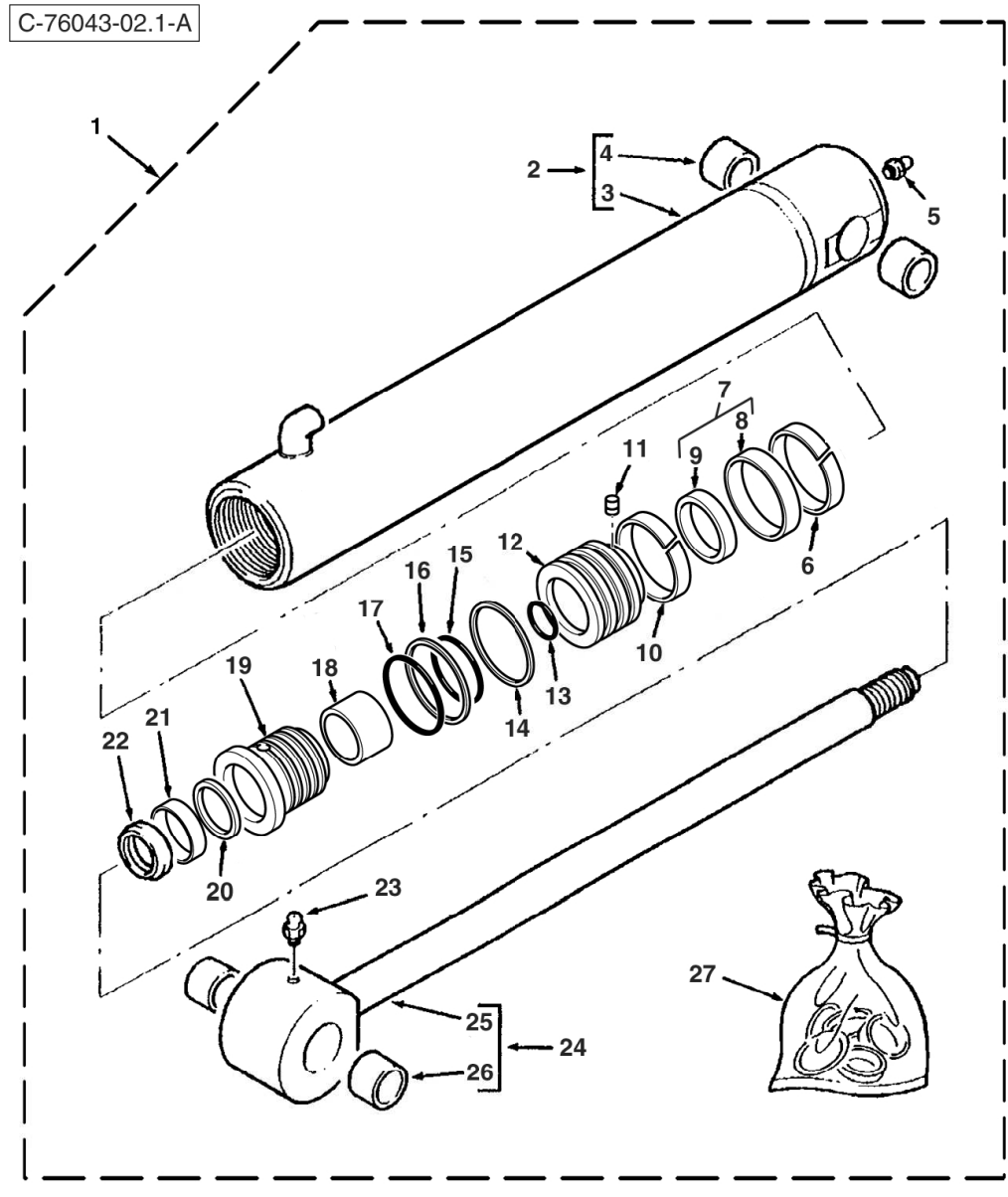
Item	Part No.	Qty.	English	French	German	Spanish	Remarks
1	#CYLINDER ASSY	1	Cylinder Assy	Cylinder Assy	Cylinder Assy	Cylinder Assy	76043c02.1 1 76043c02.2 1
2	835013M91	1	Connector 7/8 Jic	Raccord	Schraubanschluss	Conexión, Conj.	
3	#UNION	1	Union	Union	Union	Union	Ref. 2
4	835024M1	1	Ring O - Boa	Joint Torique	O Ring	Junta De Tipo O	
5	6101540M91	1	Tube Assy Bucket	Tuyauterie	Rohrleitung Kplt	Conjunto De Tubería	Tba Pacoma
5	6111161M91	1	Tube Assembly - Digger Bucket Cylinder	Tuyauterie	Rohrleitung Kplt	Conjunto De Tubería	Tba Wipro
6	339123X1	1	Bolt M8-20 Z5f	Boulon M8 X 20	Maschschraube M8	Perno	
7	385361X1	1	Washer M8 Hardened	Rondelle M8	Scheibe M8	Arandela	
8	835010M91	1	Elbow 45 Adj 7/8unf	Coude 135°	Winkelstück	Codo, 45°	
9	#ELBOW	1	Elbow	Elbow	Elbow	Elbow	Ref. 8
10	835024M1	1	Ring O - Boa	Joint Torique	O Ring	Junta De Tipo O	
11	#HOSE ASSY	1	Hose Assy	Hose Assy	Hose Assy	Hose Assy	Brown
12	#HOSE ASSY	1	Hose Assy	Hose Assy	Hose Assy	Hose Assy	White
13	6101431M91	2	Tube-4.9 Boom Bucket	Tuyauterie	Rohrleitung Kplt	Conjunto De Tubería	Ec05/328
13	6111139M91	2	Tube Assy - Bkt 4.9m Boom	Ensemble Tube	Rohr Kpl	Conjunto De Tubería	Ec05/328
14	6111143M91	1	Hose Assy - Bucket Rod (Brown C/Mount)	Ensemble Durit	Schlauch Kpl	Flexible, Conj.	Brown Ec05/328
14	6102945M91	1	Hose-Bucket Rod-Brown	Flexible Ass.	Schlauch Kplt	Flexible, Conj.	Brown Ec05/328
15	6111144M91	1	Hose Assy- Bucket HD (White Centremount)	Ensemble Durit	Schlauch Kpl	Flexible, Conj.	White Ec05/328
15	6102942M91	1	Hose-Bucket Head-White	Flexible Ass.	Schlauch Kplt	Flexible, Conj.	White Ec05/328
16	6102128M1	1	Pad-Neoprene	Plaque Antidérapante	Zwischenlage	Cinta Antideslizante	
17	6102122M1	1	Clamp	Collier De Serrage	Klemme	Brida De Fijación	
18	6102130M1	1	Plate-Clamp	Plaque	Platte	Placa	
19	390972X1	2	Washer M8-17-1 Zwel	Rondelle M8	Scheibe - M8	Arandela	
20	3516075M1	2	Stud M8-65 Z5	Goujon	Stehbolzen	Espárrago	
21	394367X1	2	Nut, Hex. - Nyloc, M8	Ecrou Blocage M8	Flachmutter - M8	Tuerca De Retención	
22	6102126M1	2	Clamp	Collier De Serrage	Klemme	Brida De Fijación	
23	6102145M1	2	Pad-Neoprene	Plaque Antidérapante	Zwischenlage	Cinta Antideslizante	
24	6102124M1	2	Plate-Top	Plaque	Platte	Placa	
25	390972X1	4	Washer M8-17-1 Zwel	Rondelle M8	Scheibe - M8	Arandela	
26	6108049M1	4	Stud M8	Goujon	Stehbolzen	Espárrago	

C-76043-01.1-B



<b>Item</b>	<b>Part No.</b>	<b>Qty.</b>	<b>English</b>	<b>French</b>	<b>German</b>	<b>Spanish</b>	<b>Remarks</b>
27	394367X1	4	Nut, Hex. - Nyloc, M8	Ecrou Blocage M8	Flachmutter - M8	Tuerca De Retención	
28	8000-1379	4	Tie Wrap ( 530 X 13mm )	Bride	Buegel	Banda	



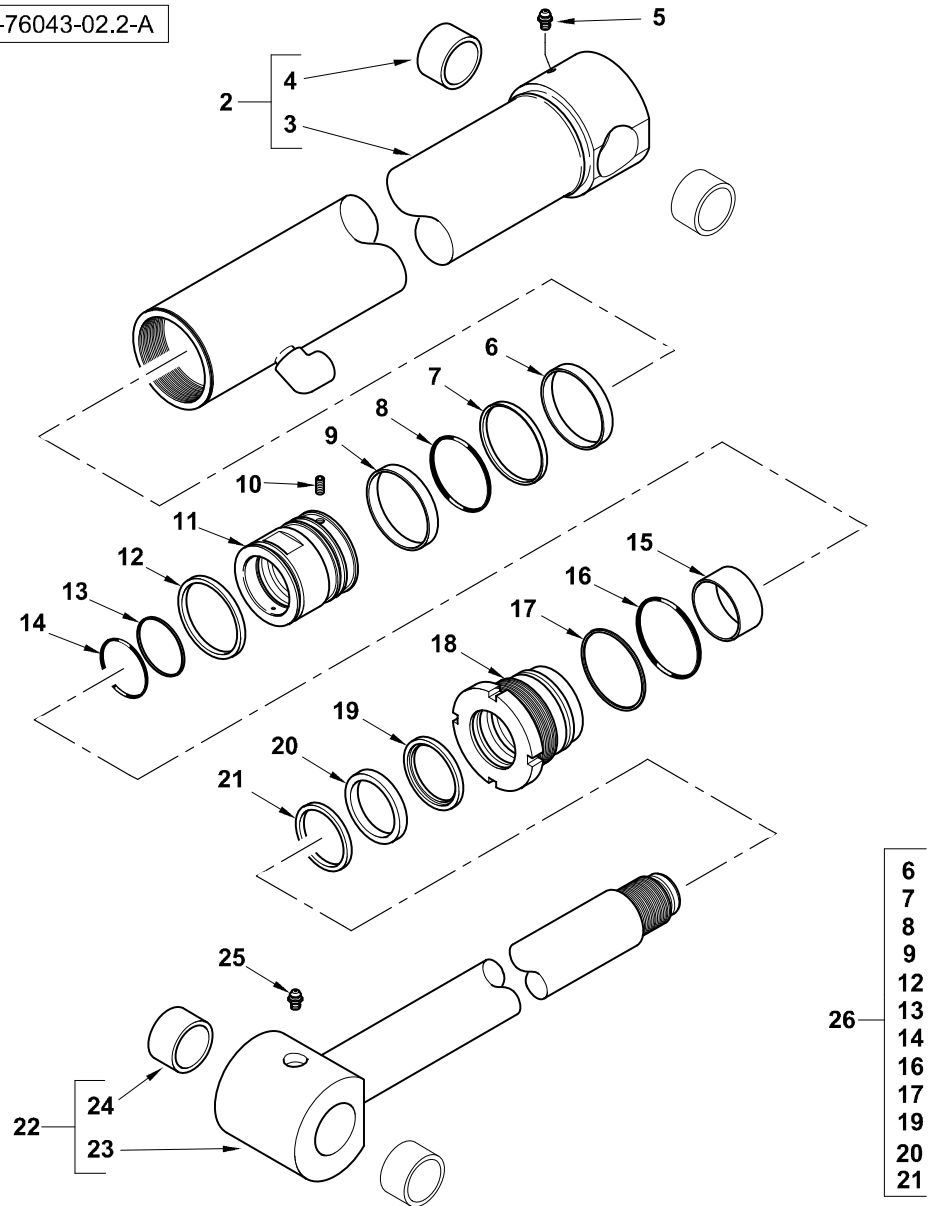




Item	Part No.	Qty.	English	French	German	Spanish	Remarks
1	5000126M91GY02	1	Cylinder Digger Bucket (Benford Grey)	L´Hie Hydraulique	Zylinder Hydr.	Gato, Conj.	Tba [76043c01.1 1]
2	5004008M91	1	Barrel Assy	Cylindre	Zylinder	Cilindro	
3	#TUBE, CYLINDER	1	Tube, Cylinder	Tube, Cylinder	Tube, Cylinder	Tube, Cylinder	Ref. 2
4	#BUSHING	1	Bushing	Douille	Busche	Boccola	
5	339608X1	1	Grease Nipple - M10 X 1 (Zinc)	Nipple De Graissage	Schmiernippel	Engrasador	
6	3485892M1	1	Guide Ring Piston	Bague D´Étanchéité	Dichtungsring	Anillo, Estanqueidad	
7	3485245M91	1	Seal Assy Piston	Joint Ass.	Dichtung Kplt	Junta, Conj.	
8	#SEAL	1	Seal	Joint Étanchéité	Dichtring	Retén	Ref. 7
9	#RING	1	Ring	Anneau	Ring	Aro	Ref. 7
10	3485892M1	1	Guide Ring Piston	Bague D´Étanchéité	Dichtungsring	Anillo, Estanqueidad	
11	3402928M1	1	Screw, Socket Head - Piston Locating	Vis Tête Hex	Zylinderschraube	Tornillo	
12	3623372M1	1	Piston	Piston	Kolben	Pistón	
13	359186X1	1	O-Ring	Joint Torique	O-Ring	Junta De Tipo O	
14	3623061M1	1	Ring Piston	Segment De Piston	Kolbenring	Segmento De Pistón	
15	359193X1	1	O-Ring	Joint Torique	O-Ring	Junta De Tipo O	
16	1606735M1	1	Ring Back-Up	Contre Bague	Stützring	ContraJunta	
17	3487207M1	1	O-Ring	Joint Torique	O-Ring	Junta De Tipo O	
18	3484615M1	1	Guide Ring	Anneau	Ring	Aro	
19	3623371M1	1	Gland - Bucket Cylinder	Presse Étoupe	Stopfbuchse	Cojinete	
20	3484055M1	1	Ring Buffer	Anneau	Ring	Aro	
21	3485185M1	1	Seal	Joint D´Arbre	Wellendichtring	Junta	
22	3487015M1	1	Wiper Ring	Anneau	Ring	Aro	
23	339608X1	1	Grease Nipple - M10 X 1 (Zinc)	Nipple De Graissage	Schmiernippel	Engrasador	
24	5004012M91	1	Piston Rod Assy - Nla	Tige De Vérin	Kolbenstange	Vástago Cilindro	
25	#ROD, PISTON	1	Rod, Piston	Rod, Piston	Rod, Piston	Rod, Piston	Ref. 24
26	#BUSHING	1	Bushing	Douille	Busche	Boccola	
27	3623373M91	1	Kit Seal	Jeu Etancheite	Dichtringsatz	Juego De Juntas	

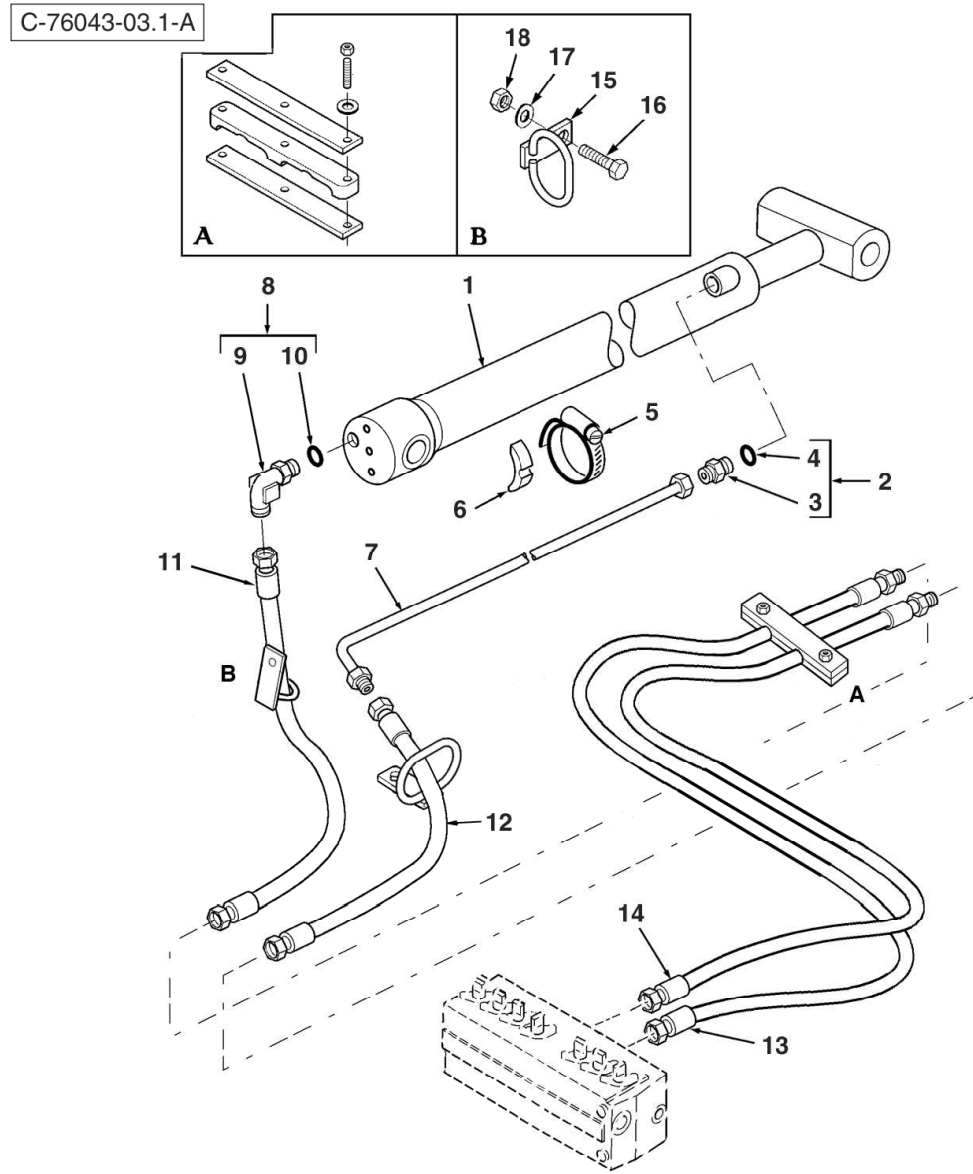


C-76043-02.2-A



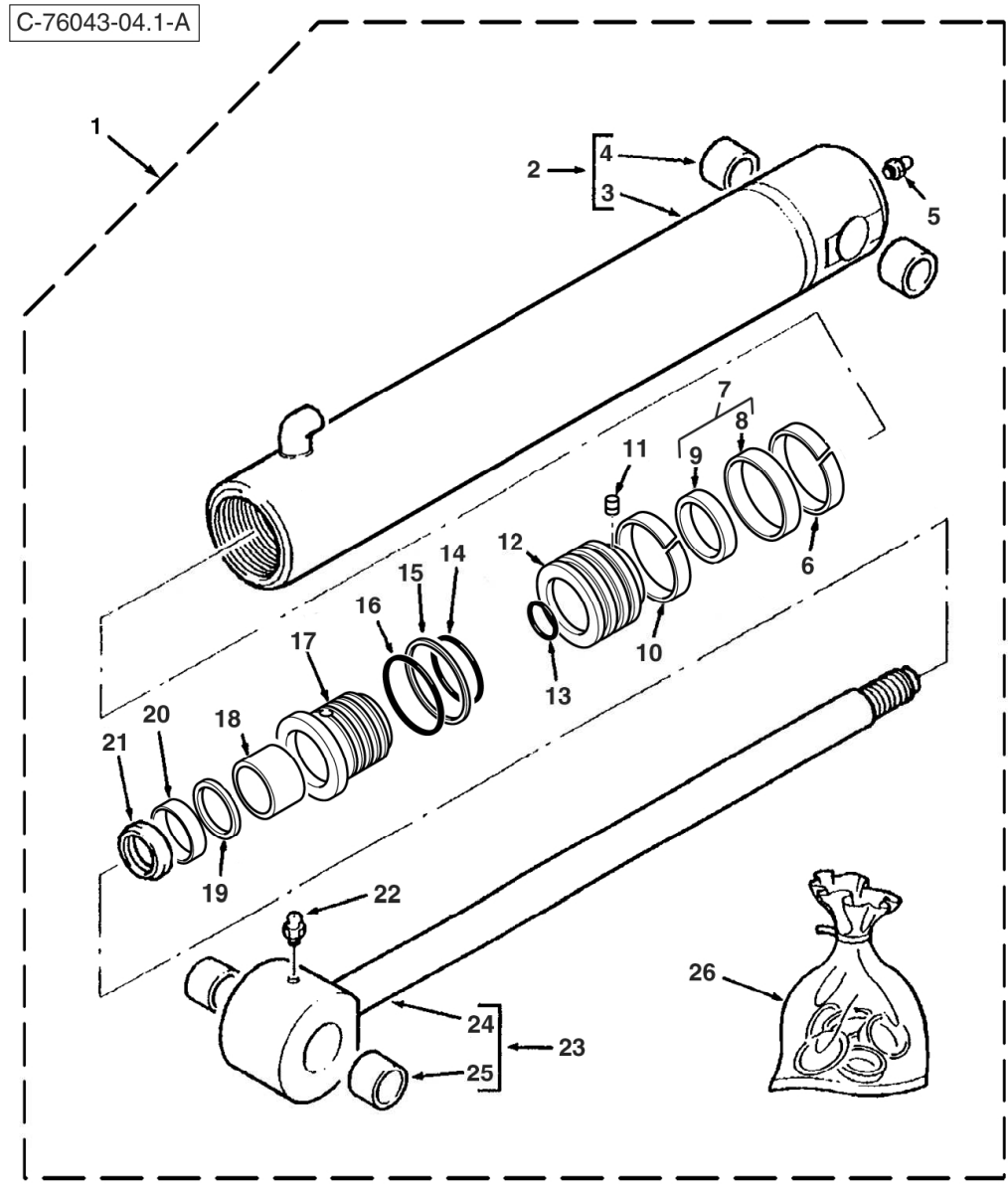
Item	Part No.	Qty.	English	French	German	Spanish	Remarks
1	6111070M91GY03	1	Cylinder- Digger Bucket	Cylindre	Zylinder	Gato, Conj.	Tba [76043c01.1 1]
2	6194629M91	1	Barrel - Cylinder	Corps Cylindre	Zylindergehäuse	Tubo	
3	#TUBE	1	Tube	Tube	Tube	Tube	Ref. 2
4	6194562M1	2	Bush	Douille	Büchse	Casquillo	
5	6194542M1	1	Nipple - Grease	Graisseur Coude	Nippel	Manguito, Engrasador	
6	6194634M1	1	Bearing - Piston	Coussinet	Lager	Teniendo - Pistón	
7	6194635M1	1	Seal - Piston	Joint Étanchéité	Dichtring	Junta	
8	6194636M1	1	O Ring (Std)	Joint Torique	O Ring	Junta De Tipo O	
9	6194634M1	1	Bearing - Piston	Coussinet	Lager	Teniendo - Pistón	
10	6194633M1	1	Set Screw - Hex Socket	Vis Tete Hex	Zylinderschraube	Tornillo De Ajuste	
11	6194631M1	1	Piston	Piston	Kolben	Pistón	
12	6194637M1	1	Ring - Piston	Segment Piston	Kolbenring	Segmento De Pistón	
13	6194625M1	1	Ring - Back Up	Contre Bague	Stutzring	ContraJunta	
14	6194624M1	1	O Ring (Std)	Joint Torique	O Ring	Junta De Tipo O	
15	6194541M1	1	Bush - Bimetal	Douille	Büchse	Juego De Anillos	
16	6194640M1	1	O Ring (Std)	Joint Torique	O Ring	Junta De Tipo O	
17	6194641M1	1	Ring - Back Up	Contre Bague	Stutzring	ContraJunta	
18	6194632M1	1	End Cover - Head	Couvercle	Deckel	Tapa	
19	6194638M1	1	Seal - Rod (Primary)	Joint Étanchéité	Dichtring	Junta	
20	6194639M1	1	Seal- Rod (Secondary)	Joint Étanchéité	Dichtring	Junta	
21	6194554M1	1	Wiper	Essuyeur	Wischer	Raspador, Escobilla	
22	6194630M91	1	Rod - Piston	Bielle De Piston	Pleuelstange	Rod - Pistón	
23	#ROD	1	Rod	Rod	Rod	Rod	Ref. 22
24	6194562M1	2	Bush	Douille	Büchse	Casquillo	
25	6194542M1	1	Nipple - Grease	Graisseur Coude	Nippel	Manguito, Engrasador	
26	6194642M91	0	Seal Kit	Jeu Etancheite	Dichtringsatz	Juego De Juntas	





Item	Part No.	Qty.	English	French	German	Spanish	Remarks
1	#CYLINDER ASSY	1	Cylinder Assy	Cylinder Assy	Cylinder Assy	Cylinder Assy	76043c04.1 1 76043c04.2 1
2	835013M91	1	Connector 7/8 Jic	Raccord	Schraubanschluss	Conexión, Conj.	
3	#UNION	1	Union	Union	Union	Union	Ref. 2
4	835024M1	1	Ring O - Boa	Joint Torique	O Ring	Junta De Tipo O	
5	3517733M1	1	Clamp Hose 130-150	Collier De Serrage	Schlauchbinder	Argolla De Cierre	
6	D142787	1	Saddle (See 142787d)	Selle	Sattel	Bloque De Caucho	
7	6111162M91	1	Tube Assembly - Dipper Cylinder	Tuyauterie	Rohrleitung Kplt	Conjunto De Tubería	Tba Wipro
7	6100976M92	1	Tube Assy. - Dipperstick Cylinder	Tuyauterie	Rohrleitung Kplt	Conjunto De Tubería	Tba Pacoma
8	6101624M91	1	Elbow 90deg-Long	Coude À 90°	Winkelstück	Codo, 90°	
9	#ELBOW	1	Elbow	Elbow	Elbow	Elbow	Ref. 8
10	835024M1	1	Ring O - Boa	Joint Torique	O Ring	Junta De Tipo O	
11	6101738M91	1	Hose-Dipper Head	Flexible Ass.	Schlauch Kplt	Flexible, Conj.	Yellow
12	6101737M91	1	Hose-Dipper Rod	Flexible Ass.	Schlauch Kplt	Flexible, Conj.	Red
13	6102941M91	1	Hose-Dipper Head-Yellow	Flexible Ass.	Schlauch Kplt	Flexible, Conj.	Yellow
14	6102944M91	1	Hose-Dipper Rod	Flexible Ass.	Schlauch Kplt	Flexible, Conj.	Red
15	6101491M92	2	Hose Hoop Assy	Ensemble De Support	Haltevorrichtung Kpl.	Apoyadero, Conj.	
16	339761X1	2	Bolt M8-25 Z5f	Goupille	Bolzen M8 X 25	Tornillo	
17	390972X1	2	Washer M8-17-1 Zwel	Rondelle M8	Scheibe - M8	Arandela	
18	394367X1	2	Nut, Hex. - Nyloc, M8	Ecrou Blocage M8	Flachmutter - M8	Tuerca De Retención	

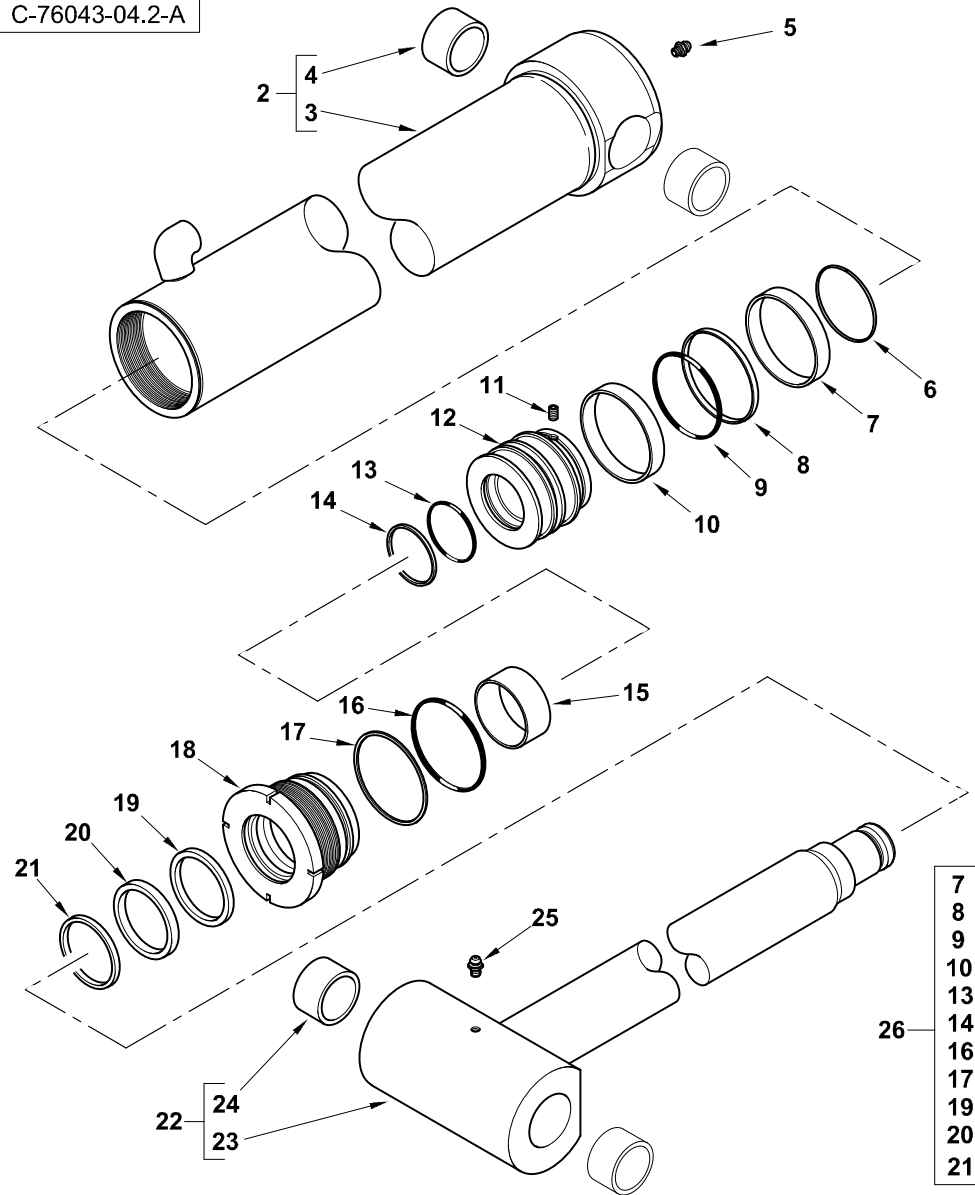




Item	Part No.	Qty.	English	French	German	Spanish	Remarks
1	5000124M91GY02	1	Cylinder Dipperstick (Benford Grey)	L´Hie Hydraulique	Zylinder Hydr.	Gato, Conj.	Tba [76043c03.1 1]
2	5003982M91	1	Barrel Assy. - Dipper Cylinder	Corps Cylindre	Zylindergehäuse	Cilindro	
3	#TUBE, CYLINDER	1	Tube, Cylinder	Tube, Cylindre	Tube, Cylinder	Tube, Cylinder	Ref. 2
4	3484843M1	1	Bush, Hydr. Cylinders	Douille	Buechse	Casquillo	
5	339608X1	1	Grease Nipple - M10 X 1 (Zinc)	Nipple De Graissage	Schmiernippel	Engrasador	
6	3485891M1	1	Guide Ring Piston	Anneau	Ring	Aro	
7	3485247M91	1	Seal Piston	Joint	Dichtung	Junta, Conj.	
8	#SEAL	1	Seal	Joint Étanchéité	Dichtring	Retén	Ref. 7
9	#RING	1	Ring	Anneau	Ring	Aro	Ref. 7
10	3485891M1	1	Guide Ring Piston	Anneau	Ring	Aro	
11	3402928M1	1	Screw, Socket Head - Piston Locating	Vis Tête Hex	Zylinderschraube	Tornillo	
12	5003989M1	1	Piston	Piston	Kolben	Pistón	
13	3007182X1	1	O-Ring	Joint Torique	O-Ring	Junta De Tipo O	
14	359196X1	1	O Ring	Joint Torique	O Ring	Junta De Tipo O	
15	378545X1	1	Ring - Backup	Contre Bague	Stutzring	Aro	
16	3487908M1	1	O Ring, Hydr. Cylinder	Joint Torique	O Ring	Junta De Tipo O	
17	5003988M1	1	Bearing Cylinder	Roulement	Lager	Cojinete	
18	3623193M1	1	Guide Ring	Anneau	Ring	Aro	
19	3443388M1	1	Ring - Back Up	Anneau	Ring	Aro	
20	3443472M1	1	Seal	Joint D´Arbre	Wellendichtring	Junta	
21	3403385M1	1	Wiper Ring	Joint De Racleur	Abstreifdichtung	Junta Raspador	
22	339608X1	1	Grease Nipple - M10 X 1 (Zinc)	Nipple De Graissage	Schmiernippel	Engrasador	
23	5003985M91	1	Piston Rod Assy	Tige De Vérin	Kolbenstange	Vástago Cilindro	
24	#ROD, PISTON	1	Rod, Piston	Rod, Piston	Rod, Piston	Rod, Piston	Ref. 23
25	3484843M1	1	Bush, Hydr. Cylinders	Douille	Buechse	Casquillo	
26	5004401M91	1	Kit Seal	Jeu Étanchéité	Dichtringsatz	Juego De Juntas	



C-76043-04.2-A

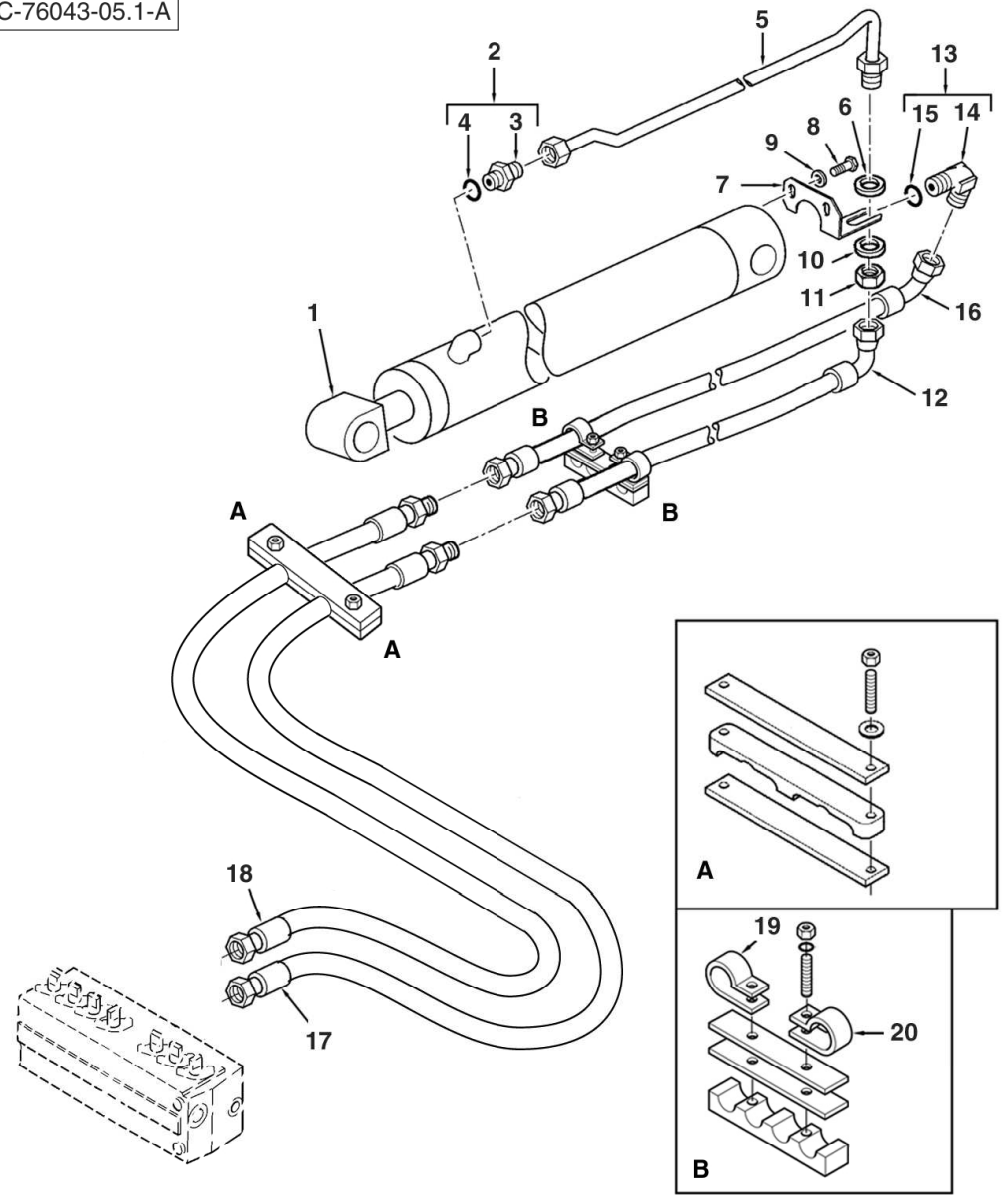




Item	Part No.	Qty.	English	French	German	Spanish	Remarks
1	6111069M91GY03	1	Cylinder - Dipperstick	Cylindre	Zylinder	Gato, Conj.	Tba [76043c03.1 1]
2	6194615M91	1	Barrel - Cylinder	Corps Cylindre	Zylindergehäuse	Conjunto De Tubería	
3	#TUBE	1	Tube	Tube	Tube	Tube	Ref. 2
4	6194562M1	2	Bush	Douille	Büchse	Casquillo	
5	6194542M1	1	Nipple - Grease	Graisseur Coude	Nippel	Manguito, Engrasador	
6	6194620M1	1	Ring - Snap	Fermeoir	Sprengring	Anillo De Resorte	
7	6194621M1	1	Bearing - Piston	Coussinet	Lager	Teniendo - Pistón	
8	6194622M1	1	Seal - Piston	Joint Étanchéité	Dichtring	Junta	
9	6194623M1	1	O Ring (Std)	Joint Torique	O Ring	Junta De Tipo O	
10	6194621M1	1	Bearing - Piston	Coussinet	Lager	Teniendo - Pistón	
11	6194619M1	1	Set Screw	Vis	Schraube	Tornillo De Ajuste	
12	6194617M1	1	Piston	Piston	Kolben	Pistón	
13	6194624M1	1	O Ring (Std)	Joint Torique	O Ring	Junta De Tipo O	
14	6194625M1	1	Ring - Back Up	Contre Bague	Stutzring	ContraJunta	
15	6194565M1	1	Bush - Bimetal	Douille	Büchse	Juego De Anillos	
16	6194626M1	1	O Ring (Std)	Joint Torique	O Ring	Junta De Tipo O	
17	6194627M1	1	Ring - Back Up	Contre Bague	Stutzring	ContraJunta	
18	6194618M1	1	End Cover - Head	Couvercle	Deckel	Tapa	
19	6194575M1	1	Seal - Rod (Primary)	Joint Étanchéité	Dichtring	Junta	
20	6194576M1	1	Seal- Rod (Secondary)	Joint Étanchéité	Dichtring	Junta	
21	6194573M1	1	Wiper	Essuyeur	Wischer	Raspador, Escobilla	
22	6194616M91	1	Rod - Piston	Bielle De Piston	Pleuelstange	Rod - Pistón	
23	#ROD	1	Rod	Rod	Rod	Rod	Ref. 22
24	6194562M1	2	Bush	Douille	Büchse	Casquillo	
25	6194542M1	1	Nipple - Grease	Graisseur Coude	Nippel	Manguito, Engrasador	
26	6194628M91	0	Seal Kit	Jeu Etancheite	Dichtringsatz	Juego De Juntas	

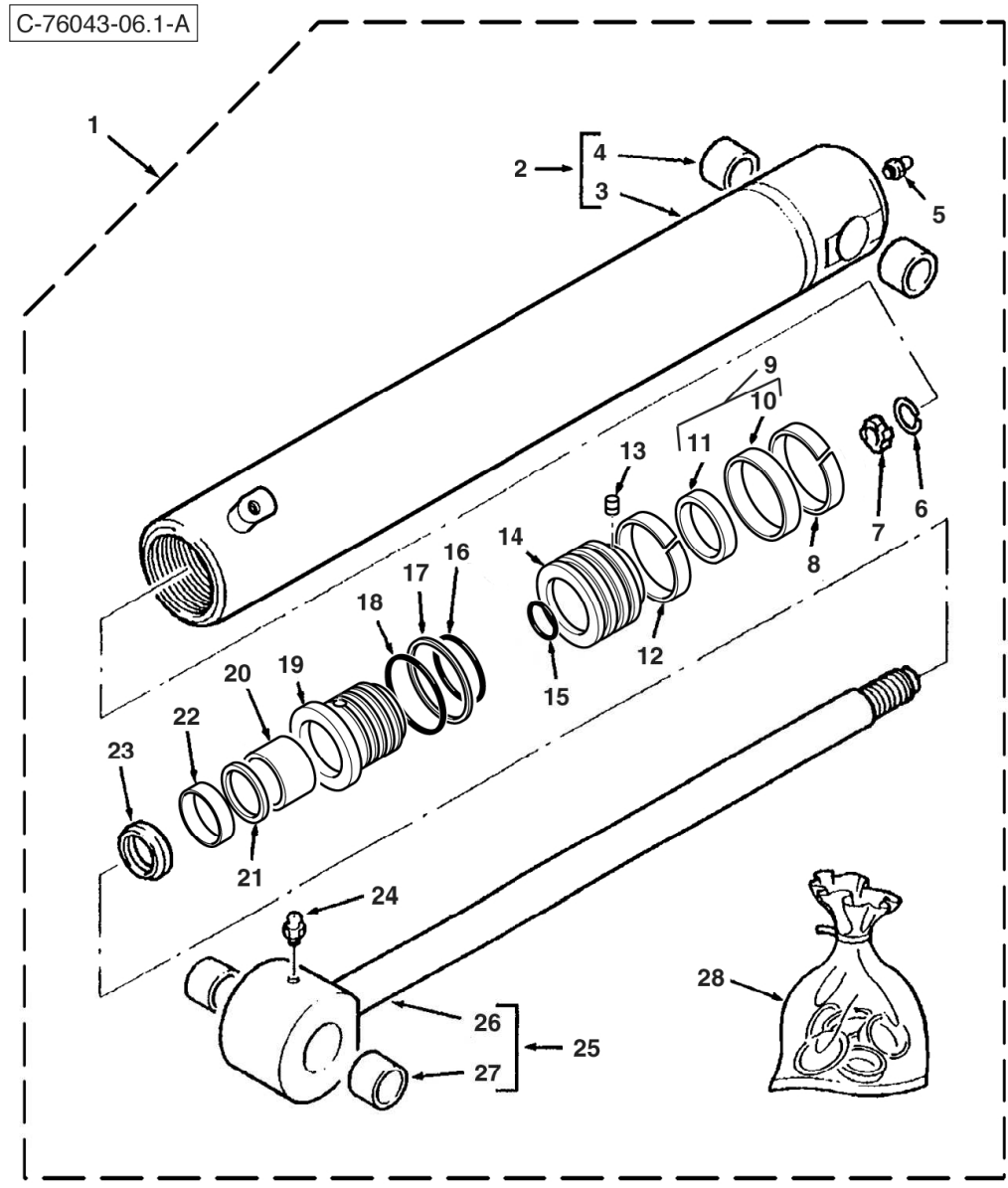


C-76043-05.1-A

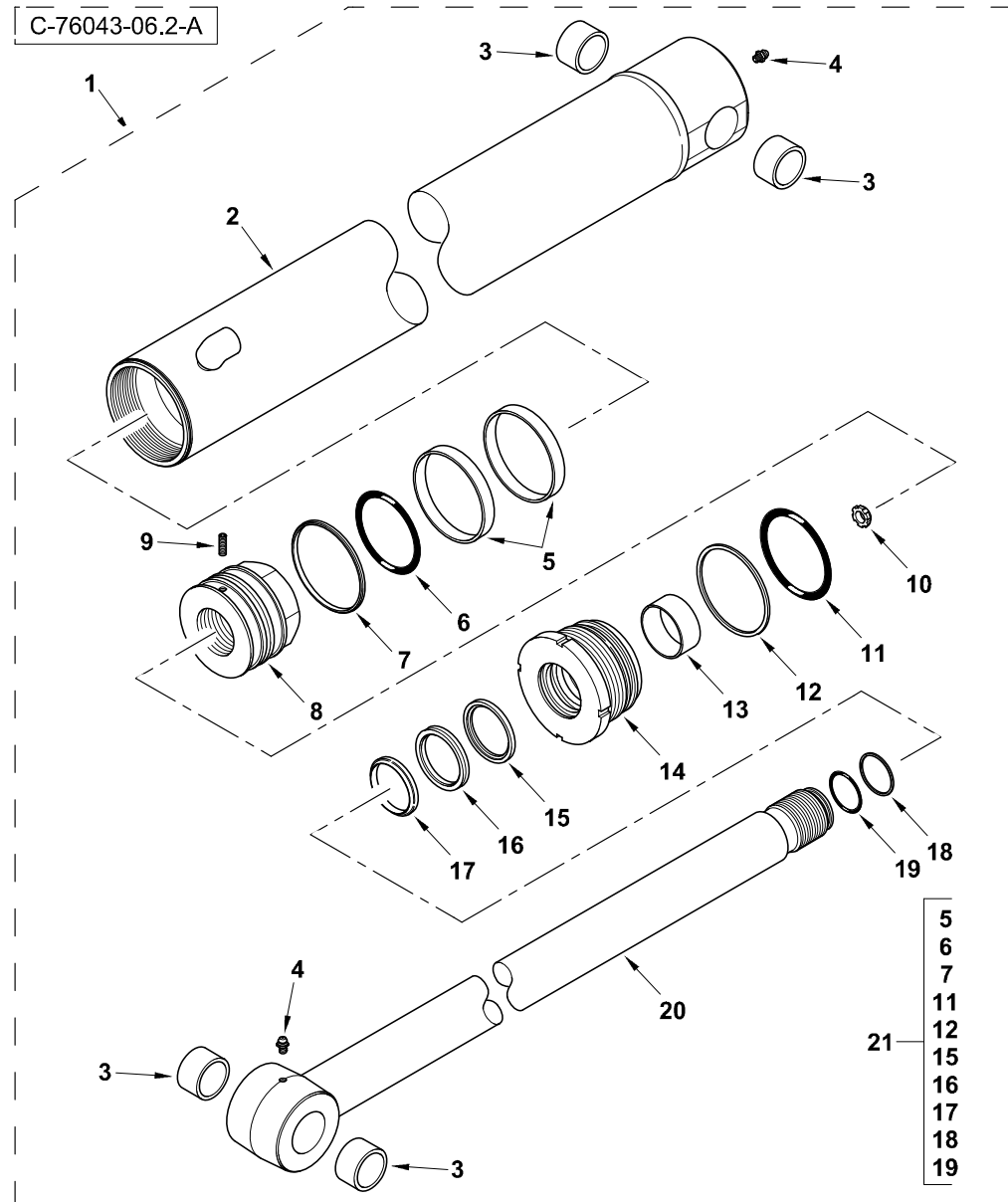


Item	Part No.	Qty.	English	French	German	Spanish	Remarks
1	6111079M91GY03	1	Cylinder Boom 4.9	Cylinder Boom 4.9	Cylinder Boom 4.9	Cylinder Boom 4.9	Wipro
1	5000123M91	1	Cylinder 4.9m Boom - High Spec.	L' Hie Hydraulique	Zylinder Hydr.	Gato, Conj.	Pacoma
2	835013M91	1	Connector 7/8 Jic	Raccord	Schraubanschluss	Conexión, Conj.	
3	#UNION	1	Union	Union	Union	Union	Ref. 2
4	835024M1	1	Ring O - Boa	Joint Torique	O Ring	Junta De Tipo O	
5	6111164M91	1	Tube Assy Boom Cylinder (4.9)	Tuyauterie	Rohrleitung Kpl.	Conjunto De Tubería	Wipro
5	6100993M91	1	Tube-Cylinder-Boom-4.9	Tuyauterie	Rohrleitung Kplt	Conjunto De Tubería	Pacoma
6	353763X1	1	Washer	Rondelle	Scheibe	Arandela	
7	6100883M1	1	Bracket-Cylinder-Boom	Patte Fixation	Halter	Pata De Fijación	
8	339228X1	2	Bolt, Hex. - M8 X 12 (Coarse)	Boulon M8 X 12	Maschschraube M8	Tornillo	
9	339374X1	2	Washer M8 -21-2 Z	Rondelle Frein - M8	Federring - M8	Arandela De Freno	
10	353763X1	1	Washer	Rondelle	Scheibe	Arandela	
11	355574X1	1	Nut, Hex. - 7/8" Unf, Lock	Ecrou 7/8" Unf	Mutter 7/8" Unf	Tuerca	
12	6101735M92	1	Hose-Boom Cyl Rod	Flexible Ass.	Schlauch Kplt	Flexible, Conj.	Orange
13	835007M91	1	Elbow 90 Degree Adjust	Coude 90°	Kniestück 90°	Codo, 90°	
14	#ELBOW	1	Elbow	Elbow	Elbow	Elbow	Ref. 13
15	835024M1	1	Ring O - Boa	Joint Torique	O Ring	Junta De Tipo O	
16	6101736M92	1	Hose, "Blue" - Boom Cylinder Feed	Flexible	Schlauch	Flexible, Conj.	Blue
17	6102943M91	1	Hose-Boom Rod-Orange	Flexible Ass.	Schlauch Kplt	Flexible, Conj.	Orange
18	6102940M91	1	Hose-Boom Head-Blue	Flexible Ass.	Schlauch Kplt	Flexible, Conj.	Blue
19	515-23270	1	Clip-Coated P	Clip	Klips	Clip	
20	515-23206	1	P Clip Bsr081hs	Bride Pour Tutaux	Schlauchschelle	Abrazadera De Manguera	





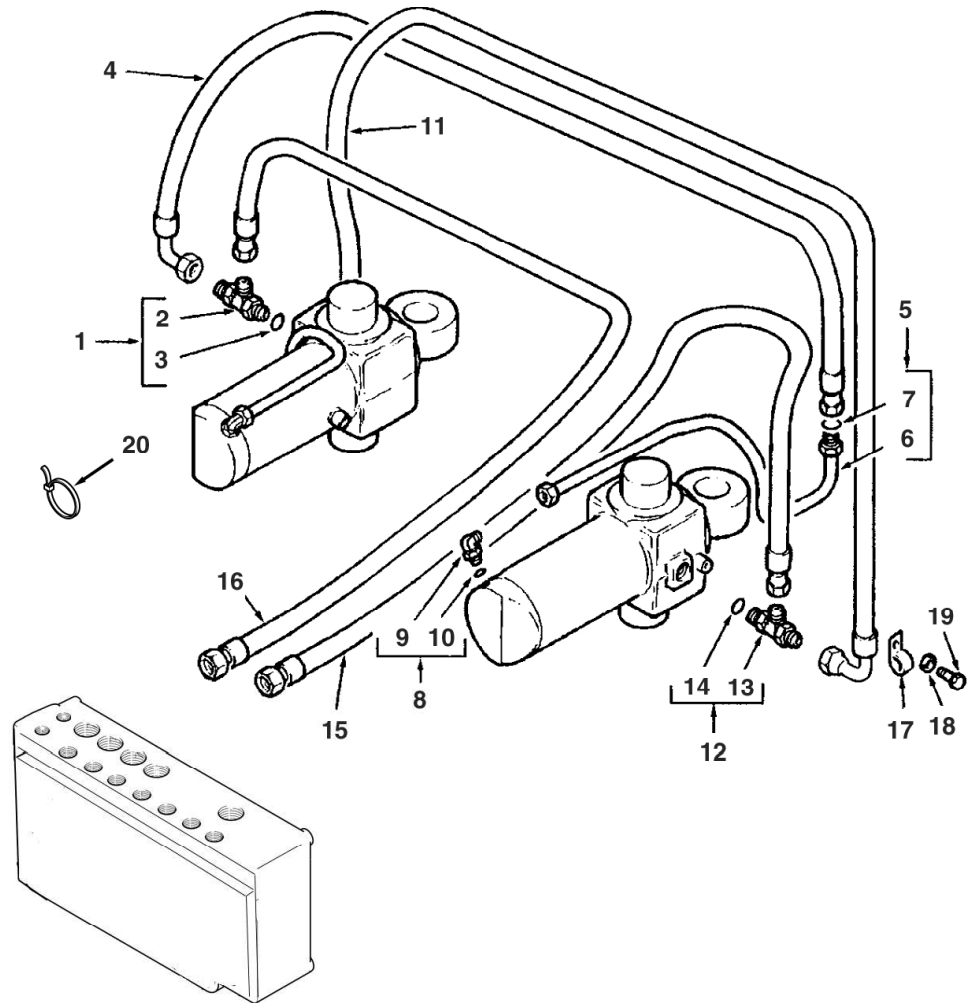
Item	Part No.	Qty.	English	French	German	Spanish	Remarks
1	5000123M91	1	Cylinder 4.9m Boom - High Spec.	L´Hie Hydraulique	Zylinder Hydr.	Gato, Conj.	76043c05.1 1
2	5003993M91	1	Barrel Assy	Cylindre	Zylinder	Cilindro	
3	#TUBE, CYLINDER	1	Tube, Cylinder	Tube, Cylinder	Tube, Cylinder	Tube, Cylinder	Ref. 2
4	#BUSHING	2	Bushing	Douille	Busche	Boccola	
5	339608X1	1	Grease Nipple - M10 X 1 (Zinc)	Nipple De Graissage	Schmiernippel	Engrasador	
6	1609899M1	1	Snap Ring	Anneau D´Arrêt	Sprengring	Anillo De Resorte	
7	1609328M1	1	Ring Cushioning	Anneau	Ring	Aro	
8	3403852M1	1	Ring, Guide - Piston	Anneau	Ring	Aro	
9	3485213M91	1	Seal Piston	Joint	Dichtung	Junta, Conj.	
10	#SEAL	1	Seal	Joint Étanchéité	Dichtring	Retén	Ref. 9
11	#SEAL	1	Seal	Joint Étanchéité	Dichtring	Retén	Ref. 9
12	3403852M1	1	Ring, Guide - Piston	Anneau	Ring	Aro	
13	3402928M1	1	Screw, Socket Head - Piston Locating	Vis Tête Hex	Zylinderschraube	Tornillo	
14	3484189M1	1	Piston	Piston	Kolben	Pistón	
15	3007182X1	1	O-Ring	Joint Torique	O-Ring	Junta De Tipo O	
16	359203X1	1	O-Ring	Joint Torique	O-Ring	Junta De Tipo O	
17	367120X1	1	Back-Up Ring	Contre Bague	Stützring	Aro	
18	3487909M1	1	O-Ring	Joint Torique	O-Ring	Junta De Tipo O	
19	3623202M1	1	Bearing	Roulement	Lager	Cojinete	
20	3623193M1	1	Guide Ring	Anneau	Ring	Aro	
21	3443388M1	1	Ring - Back Up	Anneau	Ring	Aro	
22	3443472M1	1	Seal	Joint D´Arbre	Wellendichtring	Junta	
23	3403385M1	1	Wiper Ring	Joint De Racleur	Abstreifdichtung	Junta Raspador	
24	339608X1	1	Grease Nipple - M10 X 1 (Zinc)	Nipple De Graissage	Schmiernippel	Engrasador	
25	3441722M91	1	Piston Rod Assy	Tige De Vérin	Kolbenstange	Vástago Cilindro	
26	#ROD, PISTON	1	Rod, Piston	Rod, Piston	Rod, Piston	Rod, Piston	Ref. 25
27	3484843M1	1	Bush, Hydr. Cylinders	Douille	Buechse	Casquillo	
28	3623589M91	1	Kit, Seal - Hydraulic Cylinder	Jeu Etancheite	Dichtringsatz	Juego De Juntas	



Item	Part No.	Qty.	English	French	German	Spanish	Remarks
1	6111079M91GY03	1	Cylinder Boom 4.9	Cylinder Boom 4.9	Cylinder Boom 4.9	Cylinder Boom 4.9	
2	6195264M91GY03	1	Tube - S/A (Terex Grey)	Tube - S/A (Terex Grey)	Tube - S/A (Terex Grey)	Tube - S/A (Terex Grey)	
3	6195253M1	4	Bush	Douille	Buchse	Casquillo	
4	6194542M1	2	Nipple - Grease	Graisseur Coude	Nippel	Manguito, Engrasador	
5	6195259M1	2	Bearing - Piston	Bearing - Piston	Bearing - Piston	Bearing - Piston	
6	6195258M1	1	O - Ring	O - Ring	O - Ring	O - Ring	
7	6195257M1	1	Seal - Piston	Seal - Piston	Seal - Piston	Seal - Piston	
8	6195251M1	1	Piston	Piston	Piston	Piston	
9	6195236M1	1	Set Screw - Hex Socket	Set Screw - Hex Socket	Set Screw - Hex Socket	Set Screw - Hex Socket	
10	6195235M1	1	Ring - Cushion	Ring - Cushion	Ring - Cushion	Ring - Cushion	
11	6195260M1	1	O - Ring	O - Ring	O - Ring	O - Ring	
12	6195261M1	1	Ring - Back Up	Ring - Back Up	Ring - Back Up	Ring - Back Up	
13	6195256M1	1	Bush - Bimetal	Bush - Bimetal	Bush - Bimetal	Bush - Bimetal	
14	6195252M1	1	Cover - H.E.	Cover - H.E.	Cover - H.E.	Cover - H.E.	
15	6194575M1	1	Seal - Rod (Primary)	Joint Étanchéité	Dichtring	Junta	
16	6195262M1	1	Seal - Rod (Secondary)	Seal - Rod (Secondary)	Seal - Rod (Secondary)	Seal - Rod (Secondary)	
17	6194573M1	1	Wiper	Essuyeur	Wischer	Raspador, Escobilla	
18	6194570M1	1	Ring - Back Up	Contre Bague	Stutzring	Contra junta	
19	6195247M1	1	O - Ring	O - Ring	O - Ring	O - Ring	
20	6195265M91	1	Piston Rod - S/A	Piston Rod - S/A	Piston Rod - S/A	Piston Rod - S/A	
21	6195263M91	1	Seal Kit	Jeu Etancheite	Dichtringsatz	Juego Retenes	



C-76043-07.1-A

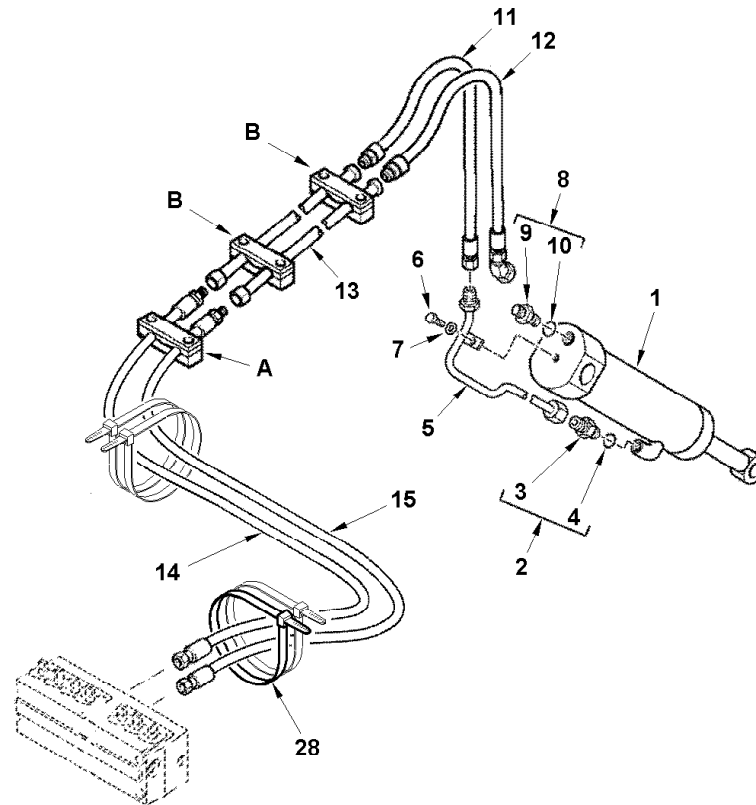
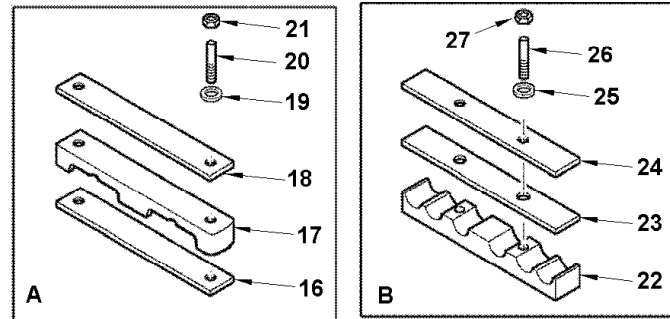




Item	Part No.	Qty.	English	French	German	Spanish	Remarks
1	358728X91	1	Tee	Te	T-Stück	Te	
2	#TEE	1	Tee	Tee	Tee	Tee	Ref. 1
3	831497M1	1	O-Ring	Joint Torique	O-Ring	Junta De Tipo O	
4	6100716M91	1	Hose Slew Trsfr	Flexible Ass.	Schlauch Kplt	Flexible, Conj.	
5	6111175M92	1	Tube Assy Slew	Ensemble Tube	Rohr Kpl	Conj.De Tubo	RH Wipro
5	6100589M91	1	Tube Slew Trsf RH	Tuyauterie	Rohrleitung Kplt	Conjunto De Tubería	Pacoma
5	6100587M91	1	Tube Slew Trsf LH	Tuyauterie	Rohrleitung Kplt	Conjunto De Tubería	Pacoma
5	6111174M92	1	Tube Assy Slew	Ensemble Tube	Rohr Kpl	Conj. De Tubo	LH Wipro
6	#TUBE	1	Tube	Tube	Tube	Tube	Ref. 5
7	394923X1	1	O Ring	Joint Torique	O Ring	Junta De Tipo O	
8	357197X91	2	Elbow & O Ring	Coude	Kniestück, 90°	Codo, 90°	
9	#ELBOW	1	Elbow	Elbow	Elbow	Elbow	Ref. 8
10	831452M1	1	O Ring (Pack Of 10)	Joint Torique	O Ring	Junta De Tipo O	
11	6100716M91	1	Hose Slew Trsfr	Flexible Ass.	Schlauch Kplt	Flexible, Conj.	
12	358728X91	1	Tee	Te	T-Stück	Te	
13	#TEE	1	Tee	Tee	Tee	Tee	Ref. 12
14	831497M1	1	O-Ring	Joint Torique	O-Ring	Junta De Tipo O	
15	6100715M92	1	Hose-Digger-Green	Flexible Ass.	Schlauch Kplt	Flexible, Conj.	Purple
16	6101866M93	1	Hose-Digger-Green	Flexible Ass.	Schlauch Kplt	Flexible, Conj.	Green
17	3517114M2	2	P - Clip	Collier De Fixation	Befestigungsschelle	Argolla De Fijación	
18	385361X1	2	Washer M8 Hardened	Rondelle M8	Scheibe M8	Arandela	
19	339228X1	2	Bolt, Hex. - M8 X 12 (Coarse)	Boulon M8 X 12	Maschschraube M8	Tornillo	
20	1862425M1	1	Tie 385mm T50I	Attache Cable	Kabelbinder	Enlace De Cable	



C-76046-01.1-B



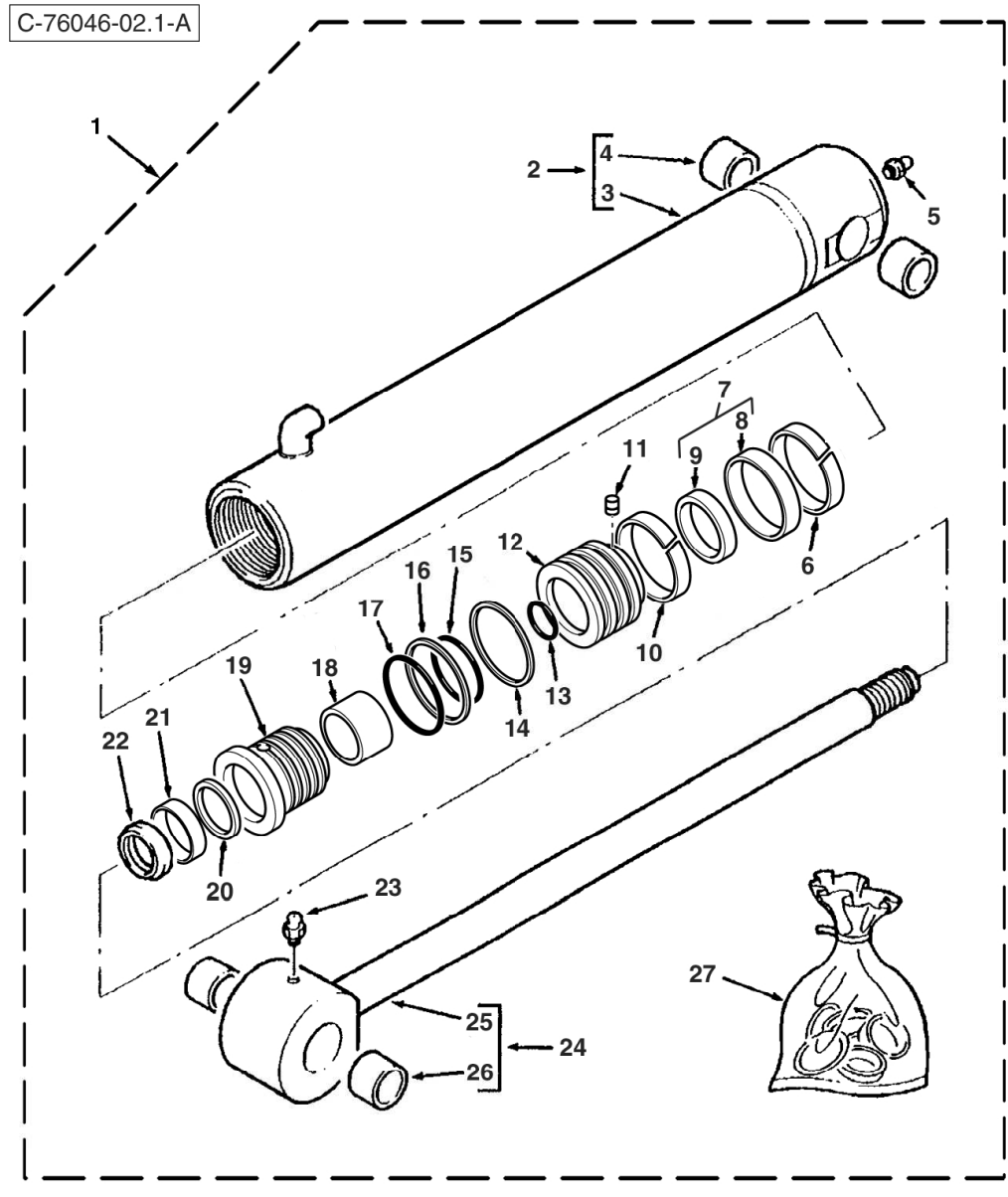
Item	Part No.	Qty.	English	French	German	Spanish	Remarks
1	#CYLINDER ASSY	1	Cylinder Assy	Cylinder Assy	Cylinder Assy	Cylinder Assy	76046c02.1 1 76046c02.2 1
2	835013M91	1	Connector 7/8 Jic	Raccord	Schraubanschluss	Conexión, Conj.	
3	#UNION	1	Union	Union	Union	Union	Ref. 2
4	835024M1	1	Ring O - Boa	Joint Torique	O Ring	Junta De Tipo O	
5	6111161M91	1	Tube Assembly - Digger Bucket Cylinder	Tuyauterie	Rohrleitung Kplt	Conjunto De Tubería	Tba Wipro
5	6101540M91	1	Tube Assy Bucket	Tuyauterie	Rohrleitung Kplt	Conjunto De Tubería	Tba Pacoma
6	339123X1	1	Bolt M8-20 Z5f	Boulon M8 X 20	Maschschraube M8	Perno	
7	385361X1	1	Washer M8 Hardened	Rondelle M8	Scheibe M8	Arandela	
8	835013M91	1	Connector 7/8 Jic	Raccord	Schraubanschluss	Conexión, Conj.	
9	#UNION	1	Union	Union	Union	Union	Ref. 8
10	835024M1	1	Ring O - Boa	Joint Torique	O Ring	Junta De Tipo O	
11	6102309M91	1	Hose-Bucket Rod-Std	Flexible Ass.	Schlauch Kplt	Flexible, Conj.	Brown
12	6107024M91	1	Hose-Bucket HD Std	Flexible Ass.	Schlauch Kplt	Flexible, Conj.	White
13	6101771M91	2	Tube-Bucket-4.5m Boom	Tuyauterie	Rohrleitung Kplt	Conjunto De Tubería	Ec05/328
13	6111137M91	2	Tube Assy - Bkt 4.5m Boom	Ensemble Tube	Rohr Kpl	Conjunto De Tubería	Ec05/328
14	6111143M91	1	Hose Assy - Bucket Rod (Brown C/Mount)	Ensemble Durit	Schlauch Kpl	Flexible, Conj.	Brown Ec05/328
14	6102945M91	1	Hose-Bucket Rod-Brown	Flexible Ass.	Schlauch Kplt	Flexible, Conj.	Brown Ec05/328
15	6102942M91	1	Hose-Bucket Head-White	Flexible Ass.	Schlauch Kplt	Flexible, Conj.	White Ec05/328
15	6111144M91	1	Hose Assy- Bucket HD (White Centremount)	Ensemble Durit	Schlauch Kpl	Flexible, Conj.	White Ec05/328
16	6102128M1	1	Pad-Neoprene	Plaque Antidérapante	Zwischenlage	Cinta Antideslizante	
17	6102122M1	1	Clamp	Collier De Serrage	Klemme	Brida De Fijación	
18	6102130M1	1	Plate-Clamp	Plaque	Platte	Placa	
19	390972X1	2	Washer M8-17-1 Zwl	Rondelle M8	Scheibe - M8	Arandela	
20	3516075M1	2	Stud M8-65 Z5	Goujon	Stehbolzen	Espárrago	
21	394367X1	2	Nut, Hex. - Nyloc, M8	Ecrou Blocage M8	Flachmutter - M8	Tuerca De Retención	
22	6102126M1	2	Clamp	Collier De Serrage	Klemme	Brida De Fijación	
23	6102145M1	2	Pad-Neoprene	Plaque Antidérapante	Zwischenlage	Cinta Antideslizante	
24	6102124M1	2	Plate-Top	Plaque	Platte	Placa	
25	390972X1	4	Washer M8-17-1 Zwl	Rondelle M8	Scheibe - M8	Arandela	
26	6108049M1	4	Stud M8	Goujon	Stehbolzen	Espárrago	





<b>Item</b>	<b>Part No.</b>	<b>Qty.</b>	<b>English</b>	<b>French</b>	<b>German</b>	<b>Spanish</b>	<b>Remarks</b>
27	394367X1	4	Nut, Hex. - Nyloc, M8	Ecrou Blocage M8	Flachmutter - M8	Tuerca De Retención	
28	8000-1379	4	Tie Wrap ( 530 X 13mm )	Bride	Buegel	Banda	

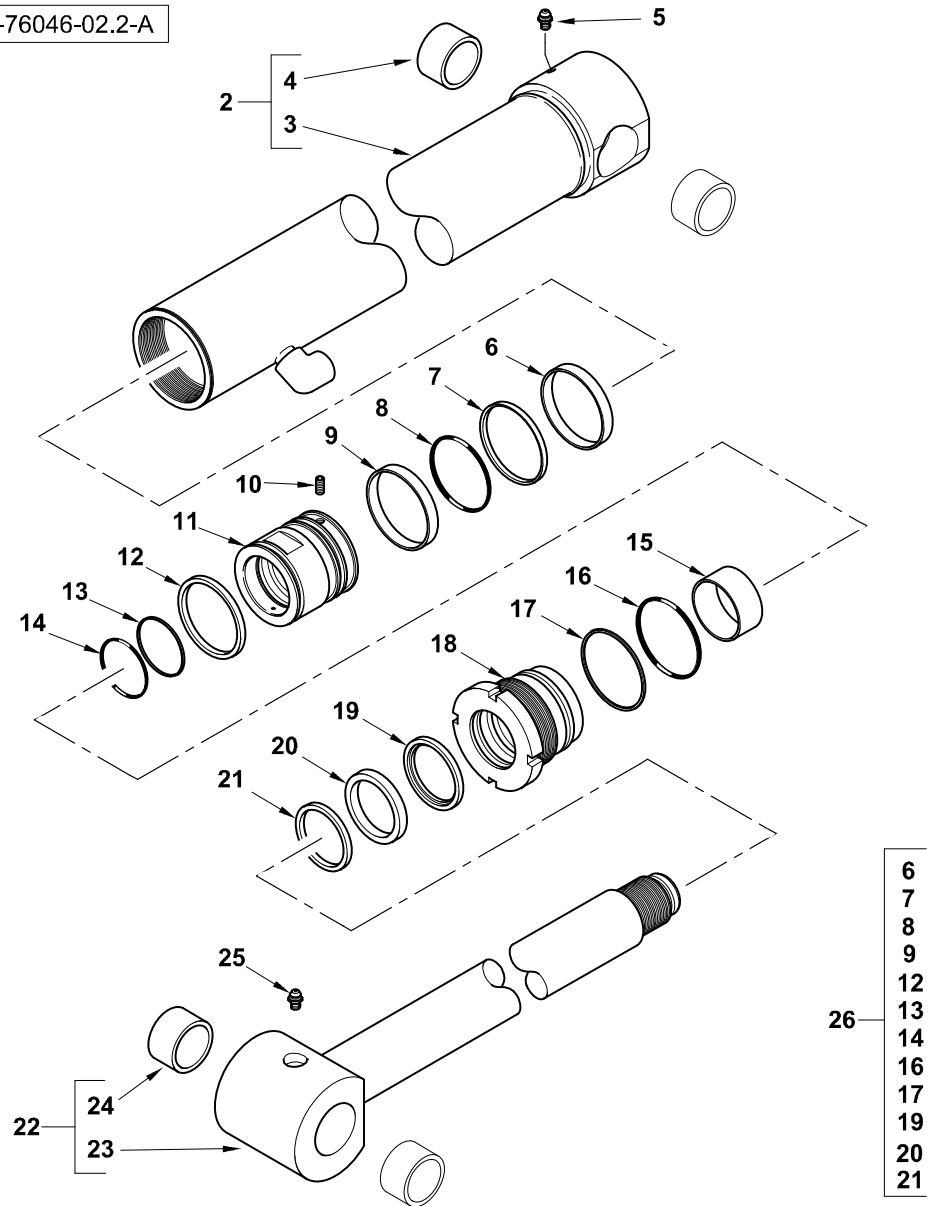




Item	Part No.	Qty.	English	French	German	Spanish	Remarks
1	5000126M91GY02	1	Cylinder Digger Bucket (Benford Grey)	L´Hie Hydraulique	Zylinder Hydr.	Gato, Conj.	Tba [76046c01.1 1]
2	5004008M91	1	Barrel Assy	Cylindre	Zylinder	Cilindro	
3	#TUBE, CYLINDER	1	Tube, Cylinder	Tube, Cylinder	Tube, Cylinder	Tube, Cylinder	Ref. 2
4	#BUSHING	1	Bushing	Douille	Busche	Boccola	
5	339608X1	1	Grease Nipple - M10 X 1 (Zinc)	Nipple De Graissage	Schmiernippel	Engrasador	
6	3485892M1	1	Guide Ring Piston	Bague D´Étanchéité	Dichtungsring	Anillo, Estanqueidad	
7	3485245M91	1	Seal Assy Piston	Joint Ass.	Dichtung Kplt	Junta, Conj.	
8	#SEAL	1	Seal	Joint Étanchéité	Dichtring	Retén	Ref. 7
9	#RING	1	Ring	Anneau	Ring	Aro	Ref. 7
10	3485892M1	1	Guide Ring Piston	Bague D´Étanchéité	Dichtungsring	Anillo, Estanqueidad	
11	3402928M1	1	Screw, Socket Head - Piston Locating	Vis Tête Hex	Zylinderschraube	Tornillo	
12	3623372M1	1	Piston	Piston	Kolben	Pistón	
13	359186X1	1	O-Ring	Joint Torique	O-Ring	Junta De Tipo O	
14	3623061M1	1	Ring Piston	Segment De Piston	Kolbenring	Segmento De Pistón	
15	359193X1	1	O-Ring	Joint Torique	O-Ring	Junta De Tipo O	
16	1606735M1	1	Ring Back-Up	Contre Bague	Stützring	ContraJunta	
17	3487207M1	1	O-Ring	Joint Torique	O-Ring	Junta De Tipo O	
18	3484615M1	1	Guide Ring	Anneau	Ring	Aro	
19	3623371M1	1	Gland - Bucket Cylinder	Presse Étoupe	Stopfbuchse	Cojinete	
20	3484055M1	1	Ring Buffer	Anneau	Ring	Aro	
21	3485185M1	1	Seal	Joint D´Arbre	Wellendichtring	Junta	
22	3487015M1	1	Wiper Ring	Anneau	Ring	Aro	
23	339608X1	1	Grease Nipple - M10 X 1 (Zinc)	Nipple De Graissage	Schmiernippel	Engrasador	
24	5004012M91	1	Piston Rod Assy - Nla	Tige De Vérin	Kolbenstange	Vástago Cilindro	
25	#ROD, PISTON	1	Rod, Piston	Rod, Piston	Rod, Piston	Rod, Piston	Ref. 24
26	#BUSHING	1	Bushing	Douille	Busche	Boccola	
27	3623373M91	1	Kit Seal	Jeu Etancheite	Dichtringsatz	Juego De Juntas	



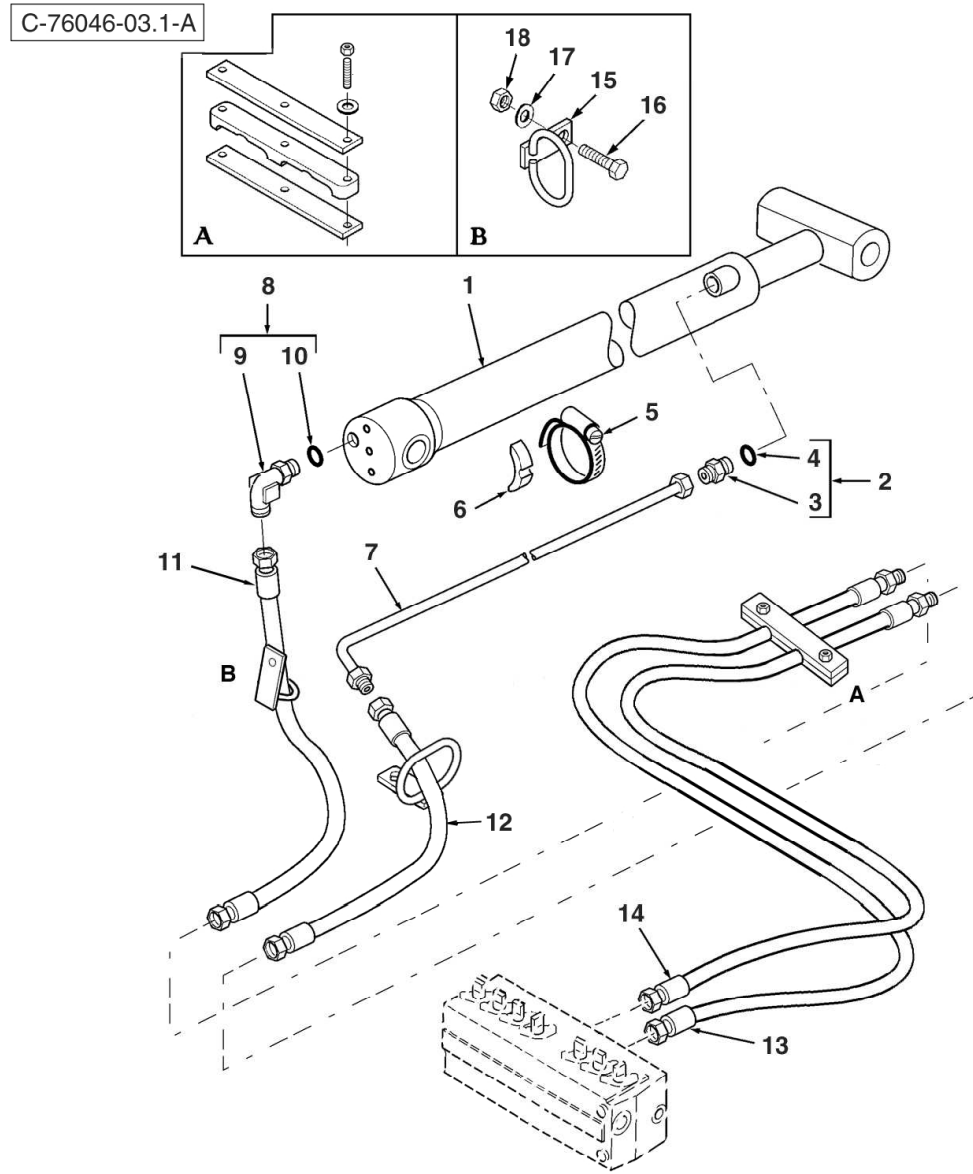
C-76046-02.2-A





Item	Part No.	Qty.	English	French	German	Spanish	Remarks
1	6111070M91GY03	1	Cylinder- Digger Bucket	Cylindre	Zylinder	Gato, Conj.	Tba [76046c01.1 1]
2	6194629M91	1	Barrel - Cylinder	Corps Cylindre	Zylindergehäuse	Tubo	
3	#TUBE	1	Tube	Tube	Tube	Tube	Ref. 2
4	6194562M1	2	Bush	Douille	Büchse	Casquillo	
5	6194542M1	1	Nipple - Grease	Graisseur Coude	Nippel	Manguito, Engrasador	
6	6194634M1	1	Bearing - Piston	Coussinet	Lager	Teniendo - Pistón	
7	6194635M1	1	Seal - Piston	Joint Étanchéité	Dichtring	Junta	
8	6194636M1	1	O Ring (Std)	Joint Torique	O Ring	Junta De Tipo O	
9	6194634M1	1	Bearing - Piston	Coussinet	Lager	Teniendo - Pistón	
10	6194633M1	1	Set Screw - Hex Socket	Vis Tete Hex	Zylinderschraube	Tornillo De Ajuste	
11	6194631M1	1	Piston	Piston	Kolben	Pistón	
12	6194637M1	1	Ring - Piston	Segment Piston	Kolbenring	Segmento De Pistón	
13	6194625M1	1	Ring - Back Up	Contre Bague	Stutzring	ContraJunta	
14	6194624M1	1	O Ring (Std)	Joint Torique	O Ring	Junta De Tipo O	
15	6194541M1	1	Bush - Bimetal	Douille	Büchse	Juego De Anillos	
16	6194640M1	1	O Ring (Std)	Joint Torique	O Ring	Junta De Tipo O	
17	6194641M1	1	Ring - Back Up	Contre Bague	Stutzring	ContraJunta	
18	6194632M1	1	End Cover - Head	Couvercle	Deckel	Tapa	
19	6194638M1	1	Seal - Rod (Primary)	Joint Étanchéité	Dichtring	Junta	
20	6194639M1	1	Seal- Rod (Secondary)	Joint Étanchéité	Dichtring	Junta	
21	6194554M1	1	Wiper	Essuyeur	Wischer	Raspador, Escobilla	
22	6194630M91	1	Rod - Piston	Bielle De Piston	Pleuelstange	Rod - Pistón	
23	#ROD	1	Rod	Rod	Rod	Rod	Ref. 22
24	6194562M1	2	Bush	Douille	Büchse	Casquillo	
25	6194542M1	1	Nipple - Grease	Graisseur Coude	Nippel	Manguito, Engrasador	
26	6194642M91	0	Seal Kit	Jeu Etancheite	Dichtringsatz	Juego De Juntas	





Item	Part No.	Qty.	English	French	German	Spanish	Remarks
1	#CYLINDER ASSY	1	Cylinder Assy	Cylinder Assy	Cylinder Assy	Cylinder Assy	76046c04.1 1 76046c04.2 1
2	835013M91	1	Connector 7/8 Jic	Raccord	Schraubanschluss	Conexión, Conj.	
3	#UNION	1	Union	Union	Union	Union	Ref. 2
4	835024M1	1	Ring O - Boa	Joint Torique	O Ring	Junta De Tipo O	
5	3517733M1	1	Clamp Hose 130-150	Collier De Serrage	Schlauchbinder	Argolla De Cierre	
6	D142787	1	Saddle (See 142787d)	Selle	Sattel	Bloque De Caucho	
7	#TUBE ASSY	1	Tube Assy	Tube Assy	Tube Assy	Tube Assy	
8	#ELBOW	1	Elbow	Elbow	Elbow	Elbow	
9	#ELBOW	1	Elbow	Elbow	Elbow	Elbow	Ref. 8
10	#O-RING	1	O-Ring	Joint Torique	O-Ring	Junta Tórica	
11	6101738M91	1	Hose-Dipper Head	Flexible Ass.	Schlauch Kplt	Flexible, Conj.	Yellow
12	6101737M91	1	Hose-Dipper Rod	Flexible Ass.	Schlauch Kplt	Flexible, Conj.	Red
13	6102941M91	1	Hose-Dipper Head-Yellow	Flexible Ass.	Schlauch Kplt	Flexible, Conj.	Yellow
14	6102944M91	1	Hose-Dipper Rod	Flexible Ass.	Schlauch Kplt	Flexible, Conj.	Red
15	6101491M92	2	Hose Hoop Assy	Ensemble De Support	Haltevorrichtung Kpl.	Apoyadero, Conj.	
16	339761X1	2	Bolt M8-25 Z5f	Goupille	Bolzen M8 X 25	Tornillo	
17	390972X1	2	Washer M8-17-1 Zwl	Rondelle M8	Scheibe - M8	Arandela	
18	394367X1	2	Nut, Hex. - Nyloc, M8	Ecrou Blocage M8	Flachmutter - M8	Tuerca De Retención	

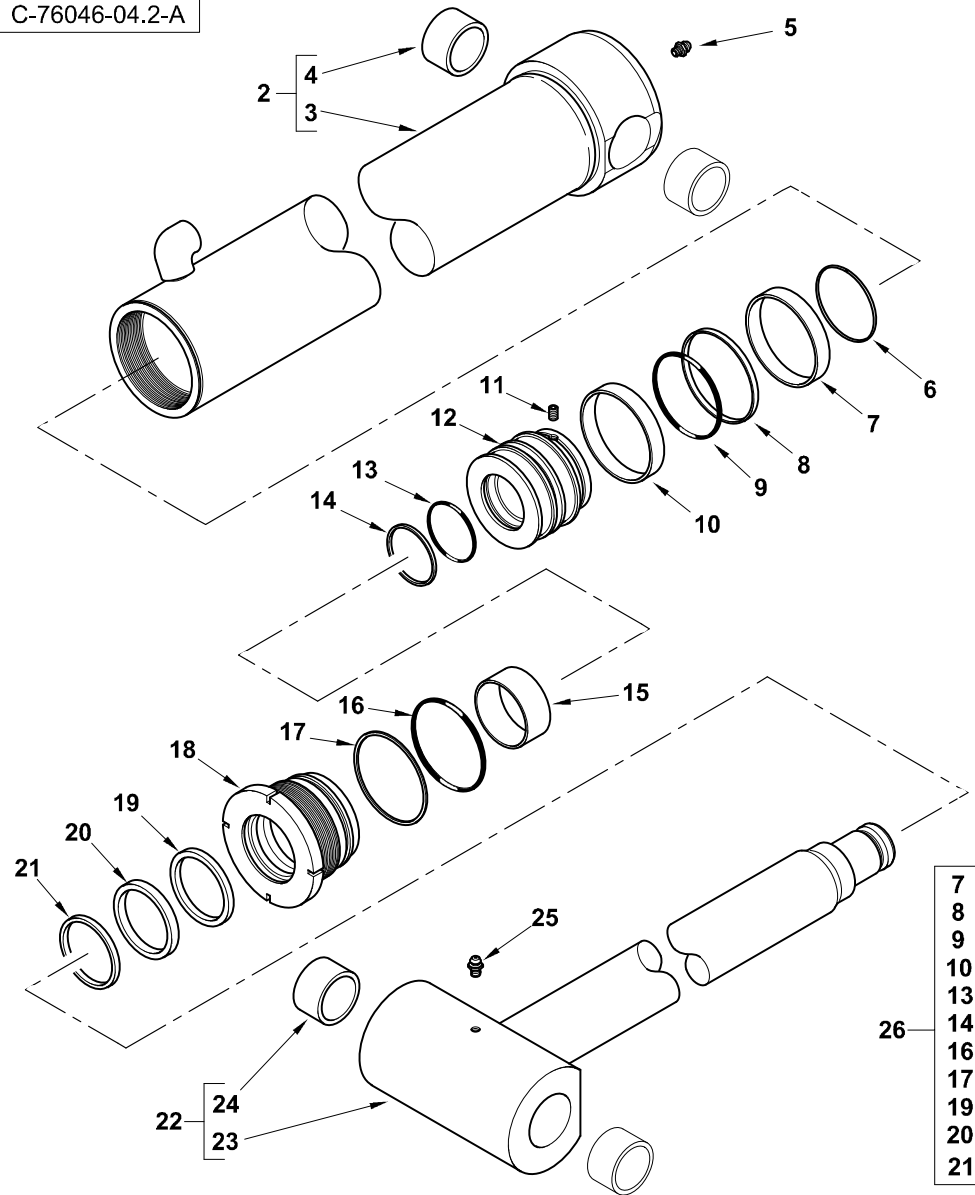




Item	Part No.	Qty.	English	French	German	Spanish	Remarks
1	5000124M91GY02	1	Cylinder Dipperstick (Benford Grey)	L´Hie Hydraulique	Zylinder Hydr.	Gato, Conj.	Tba [76046c03.1 1]
2	5003982M91	1	Barrel Assy. - Dipper Cylinder	Corps Cylindre	Zylindergehäuse	Cilindro	
3	#TUBE, CYLINDER	1	Tube, Cylinder	Tube, Cylinder	Tube, Cylinder	Tube, Cylinder	Ref. 2
4	3484843M1	1	Bush, Hydr. Cylinders	Douille	Buechse	Casquillo	
5	339608X1	1	Grease Nipple - M10 X 1 (Zinc)	Nipple De Graissage	Schmiernippel	Engrasador	
6	3485891M1	1	Guide Ring Piston	Anneau	Ring	Aro	
7	3485247M91	1	Seal Piston	Joint	Dichtung	Junta, Conj.	
8	#SEAL	1	Seal	Joint Étanchéité	Dichtring	Retén	Ref. 7
9	#RING	1	Ring	Anneau	Ring	Aro	Ref. 7
10	3485891M1	1	Guide Ring Piston	Anneau	Ring	Aro	
11	3402928M1	1	Screw, Socket Head - Piston Locating	Vis Tête Hex	Zylinderschraube	Tornillo	
12	5003989M1	1	Piston	Piston	Kolben	Pistón	
13	3007182X1	1	O-Ring	Joint Torique	O-Ring	Junta De Tipo O	
14	359196X1	1	O Ring	Joint Torique	O Ring	Junta De Tipo O	
15	378545X1	1	Ring - Backup	Contre Bague	Stutzring	Aro	
16	3487908M1	1	O Ring, Hydr. Cylinder	Joint Torique	O Ring	Junta De Tipo O	
17	5003988M1	1	Bearing Cylinder	Roulement	Lager	Cojinete	
18	3623193M1	1	Guide Ring	Anneau	Ring	Aro	
19	3443388M1	1	Ring - Back Up	Anneau	Ring	Aro	
20	3443472M1	1	Seal	Joint D´Arbre	Wellendichtring	Junta	
21	3403385M1	1	Wiper Ring	Joint De Racleur	Abstreifdichtung	Junta Raspador	
22	339608X1	1	Grease Nipple - M10 X 1 (Zinc)	Nipple De Graissage	Schmiernippel	Engrasador	
23	5003985M91	1	Piston Rod Assy	Tige De Vérin	Kolbenstange	Vástago Cilindro	
24	#ROD, PISTON	1	Rod, Piston	Rod, Piston	Rod, Piston	Rod, Piston	Ref. 23
25	3484843M1	1	Bush, Hydr. Cylinders	Douille	Buechse	Casquillo	
26	5004401M91	1	Kit Seal	Jeu Étanchéité	Dichtringsatz	Juego De Juntas	



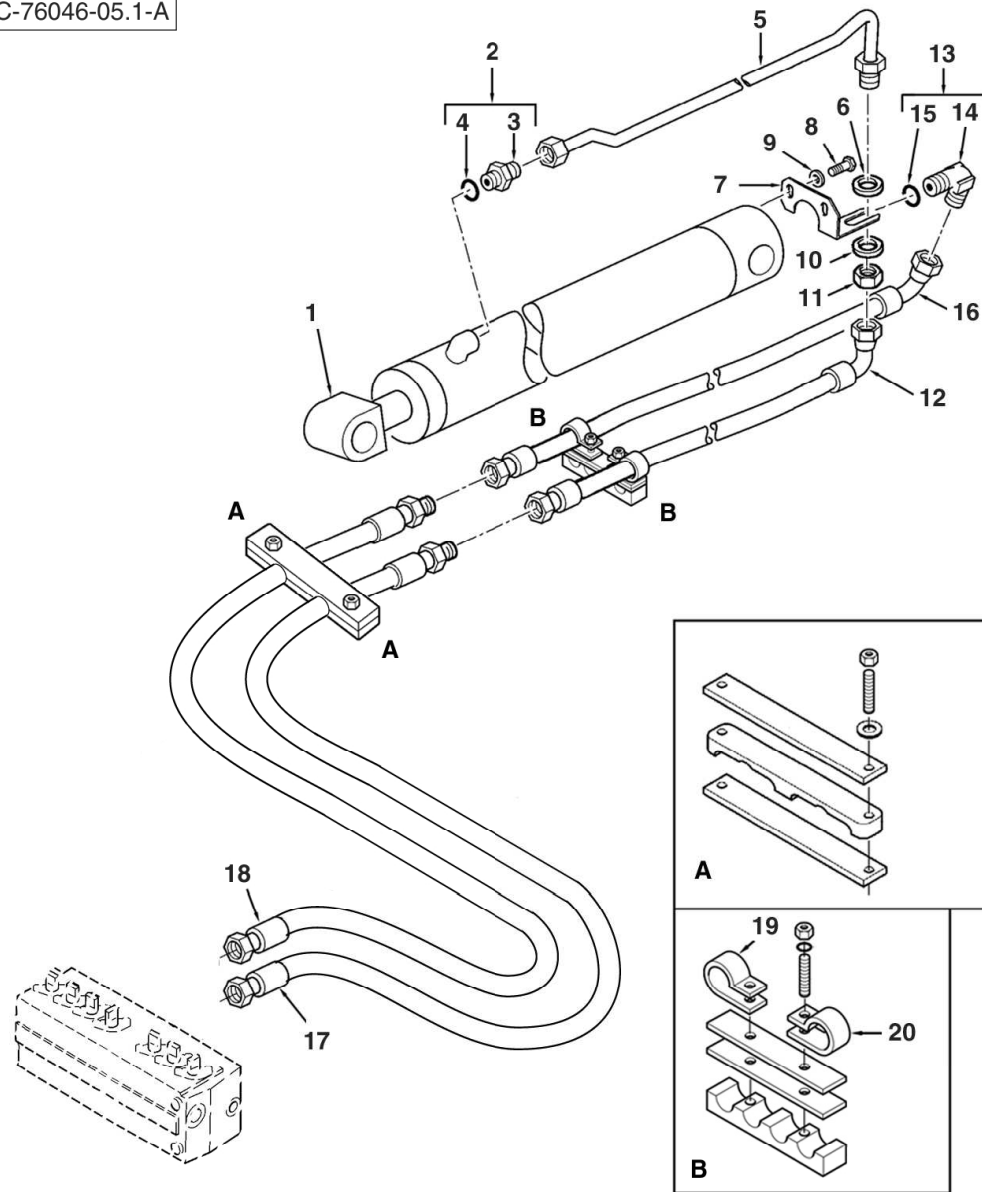
C-76046-04.2-A



Item	Part No.	Qty.	English	French	German	Spanish	Remarks
1	6111069M91GY03	1	Cylinder - Dipperstick	Cylindre	Zylinder	Gato, Conj.	Tba [76046c03.1 1]
2	6194615M91	1	Barrel - Cylinder	Corps Cylindre	Zylindergehäuse	Conjunto De Tubería	
3	#TUBE	1	Tube	Tube	Tube	Tube	Ref. 2
4	6194562M1	2	Bush	Douille	Büchse	Casquillo	
5	6194542M1	1	Nipple - Grease	Graisseur Coude	Nippel	Manguito, Engrasador	
6	6194620M1	1	Ring - Snap	Fermeoir	Sprengring	Anillo De Resorte	
7	6194621M1	1	Bearing - Piston	Coussinet	Lager	Teniendo - Pistón	
8	6194622M1	1	Seal - Piston	Joint Étanchéité	Dichtring	Junta	
9	6194623M1	1	O Ring (Std)	Joint Torique	O Ring	Junta De Tipo O	
10	6194621M1	1	Bearing - Piston	Coussinet	Lager	Teniendo - Pistón	
11	6194619M1	1	Set Screw	Vis	Schraube	Tornillo De Ajuste	
12	6194617M1	1	Piston	Piston	Kolben	Pistón	
13	6194624M1	1	O Ring (Std)	Joint Torique	O Ring	Junta De Tipo O	
14	6194625M1	1	Ring - Back Up	Contre Bague	Stutzring	ContraJunta	
15	6194565M1	1	Bush - Bimetal	Douille	Büchse	Juego De Anillos	
16	6194626M1	1	O Ring (Std)	Joint Torique	O Ring	Junta De Tipo O	
17	6194627M1	1	Ring - Back Up	Contre Bague	Stutzring	ContraJunta	
18	6194618M1	1	End Cover - Head	Couvercle	Deckel	Tapa	
19	6194575M1	1	Seal - Rod (Primary)	Joint Étanchéité	Dichtring	Junta	
20	6194576M1	1	Seal- Rod (Secondary)	Joint Étanchéité	Dichtring	Junta	
21	6194573M1	1	Wiper	Essuyeur	Wischer	Raspador, Escobilla	
22	6194616M91	1	Rod - Piston	Bielle De Piston	Pleuelstange	Rod - Pistón	
23	#ROD	1	Rod	Rod	Rod	Rod	Ref. 22
24	6194562M1	2	Bush	Douille	Büchse	Casquillo	
25	6194542M1	1	Nipple - Grease	Graisseur Coude	Nippel	Manguito, Engrasador	
26	6194628M91	0	Seal Kit	Jeu Etancheite	Dichtringsatz	Juego De Juntas	



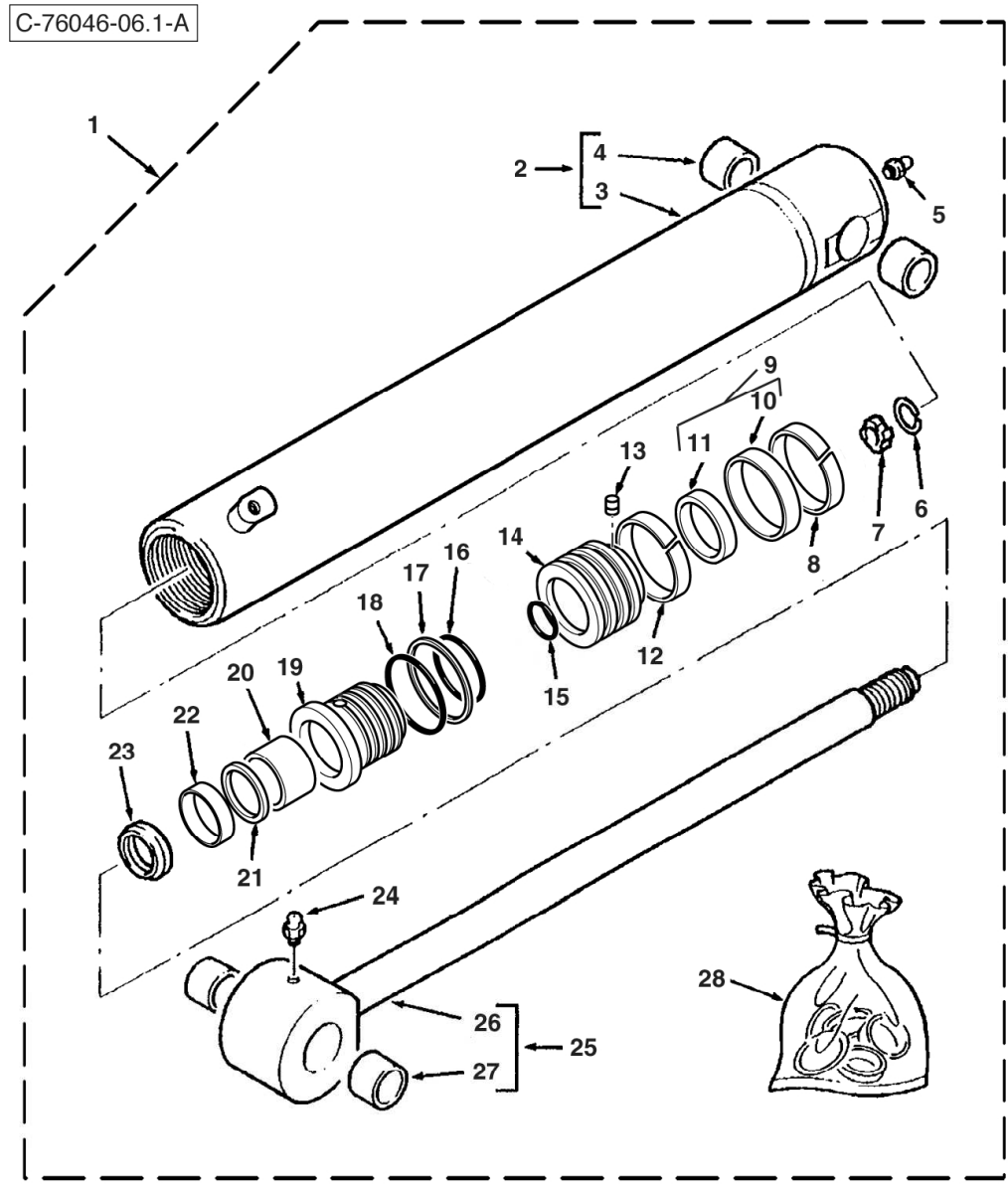
C-76046-05.1-A





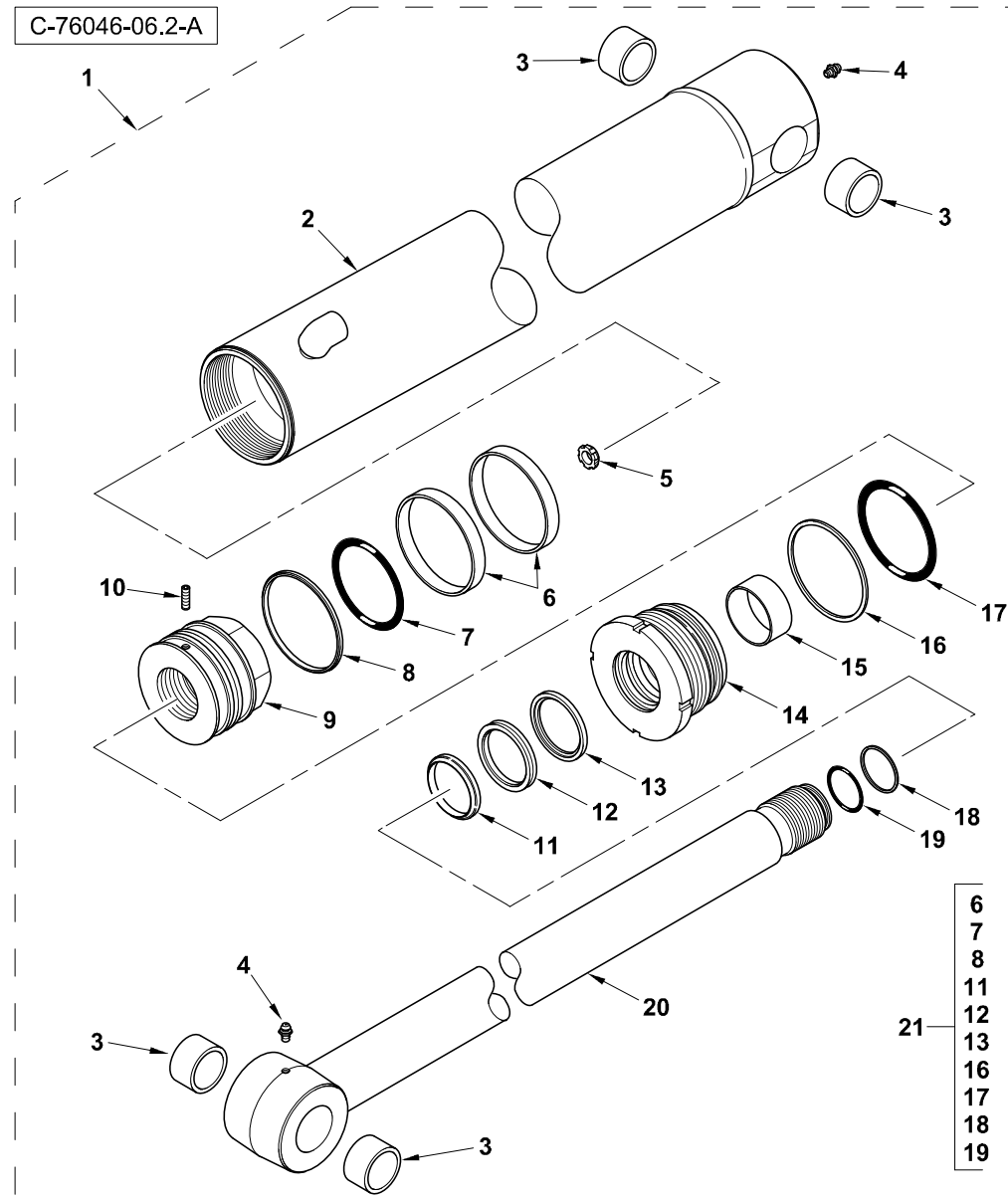
Item	Part No.	Qty.	English	French	German	Spanish	Remarks
1	6111078M91GY03	1	Cylinder Boom 4.5	Cylindre 4.5m	Zylinder 4.5m	Cilindro 4.5m	Wipro
1	5000122M91	1	Cylinder 4.5m B00m - Hi Spec	L' Hie Hydraulique	Zylinder Hydr.	Gato, Conj.	Pacoma
2	835013M91	1	Connector 7/8 Jic	Raccord	Schraubanschluss	Conexión, Conj.	
3	#UNION	1	Union	Union	Union	Union	Ref. 2
4	835024M1	1	Ring O - Boa	Joint Torique	O Ring	Junta De Tipo O	
5	6101956M92	1	Tube Assy - Boom Cyl. 4.5 (Hose Burst)	Tuyauterie	Rohrleitung Kplt	Conjunto De Tubería	Pacoma
5	6111165M92	1	Tube Assy - Boom Cyl. 4.5 (Hose Burst)	Tuyauterie	Rohrleitung Kplt	Conjunto De Tubería	Wipro
6	#WASHER	1	Washer	Rondelle	Unterlegscheibe	Arandela	
7	#BRACKET	1	Bracket	Bracket	Bracket	Bracket	
8	339228X1	2	Bolt, Hex. - M8 X 12 (Coarse)	Boulon M8 X 12	Maschschraube M8	Tornillo	
9	339374X1	2	Washer M8 -21-2 Z	Rondelle Frein - M8	Federring - M8	Arandela De Freno	
10	#WASHER	1	Washer	Rondelle	Unterlegscheibe	Arandela	
11	#NUT	1	Nut	Ecrou	Mutter	Tuerca	
12	#HOSE ASSY	1	Hose Assy	Hose Assy	Hose Assy	Hose Assy	Orange
13	#ELBOW	1	Elbow	Elbow	Elbow	Elbow	
14	#ELBOW	1	Elbow	Elbow	Elbow	Elbow	Ref. 13
15	#O-RING	1	O-Ring	Joint Torique	O-Ring	Junta Tórica	
16	6101736M92	1	Hose, "Blue" - Boom Cylinder Feed	Flexible	Schlauch	Flexible, Conj.	Blue
17	6102943M91	1	Hose-Boom Rod-Orange	Flexible Ass.	Schlauch Kplt	Flexible, Conj.	Orange
18	6102940M91	1	Hose-Boom Head-Blue	Flexible Ass.	Schlauch Kplt	Flexible, Conj.	Blue
19	515-23270	1	Clip-Coated P	Clip	Klips	Clip	
20	515-23206	1	P Clip Bsr081hs	Bride Pour Tutaux	Schlauchschelle	Abrazadera De Manguera	





Item	Part No.	Qty.	English	French	German	Spanish	Remarks
1	5000122M91	1	Cylinder 4.5m B00m - Hi Spec	L´Hie Hydraulique	Zylinder Hydr.	Gato, Conj.	76046c05.1 1
2	5003912M91	1	Barrel Assy	Cylindre	Zylinder	Cilindro	
3	#TUBE, CYLINDER	1	Tube, Cylinder	Tube, Cylinder	Tube, Cylinder	Tube, Cylinder	Ref. 2
4	#BUSHING	2	Bushing	Douille	Busche	Boccola	
5	339608X1	1	Grease Nipple - M10 X 1 (Zinc)	Nipple De Graissage	Schmiernippel	Engrasador	
6	1609899M1	1	Snap Ring	Anneau D´Arrêt	Sprengring	Anillo De Resorte	
7	1609328M1	1	Ring Cushioning	Anneau	Ring	Aro	
8	3403852M1	1	Ring, Guide - Piston	Anneau	Ring	Aro	
9	3485213M91	1	Seal Piston	Joint	Dichtung	Junta, Conj.	
10	#SEAL	1	Seal	Joint Étanchéité	Dichtring	Retén	Ref. 9
11	#SEAL	1	Seal	Joint Étanchéité	Dichtring	Retén	Ref. 9
12	3403852M1	1	Ring, Guide - Piston	Anneau	Ring	Aro	
13	3402928M1	1	Screw, Socket Head - Piston Locating	Vis Tête Hex	Zylinderschraube	Tornillo	
14	3484189M1	1	Piston	Piston	Kolben	Pistón	
15	3007182X1	1	O-Ring	Joint Torique	O-Ring	Junta De Tipo O	
16	359203X1	1	O-Ring	Joint Torique	O-Ring	Junta De Tipo O	
17	367120X1	1	Back-Up Ring	Contre Bague	Stützring	Aro	
18	3487909M1	1	O-Ring	Joint Torique	O-Ring	Junta De Tipo O	
19	3623202M1	1	Bearing	Roulement	Lager	Cojinete	
20	3623193M1	1	Guide Ring	Anneau	Ring	Aro	
21	3443388M1	1	Ring - Back Up	Anneau	Ring	Aro	
22	3443472M1	1	Seal	Joint D´Arbre	Wellendichtring	Junta	
23	3403385M1	1	Wiper Ring	Joint De Racleur	Abstreifdichtung	Junta Raspador	
24	339608X1	1	Grease Nipple - M10 X 1 (Zinc)	Nipple De Graissage	Schmiernippel	Engrasador	
25	3441629M91	1	Piston Rod Assy	Tige De Vérin	Kolbenstange	Vástago Cilindro	
26	#ROD, PISTON	1	Rod, Piston	Rod, Piston	Rod, Piston	Rod, Piston	Ref. 25
27	3484843M1	1	Bush, Hydr. Cylinders	Douille	Buechse	Casquillo	
28	3623589M91	1	Kit, Seal - Hydraulic Cylinder	Jeu Etancheite	Dichtringsatz	Juego De Juntas	

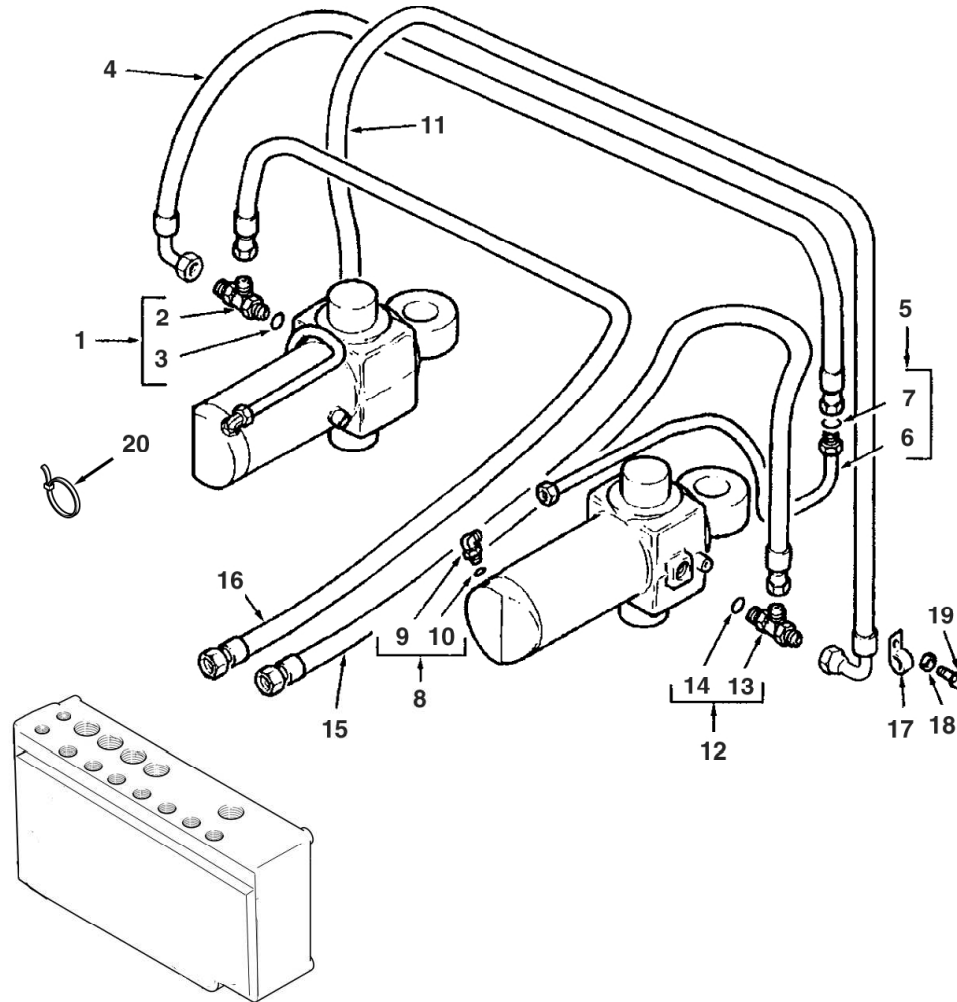




Item	Part No.	Qty.	English	French	German	Spanish	Remarks
1	6111078M91GY03	1	Cylinder Boom 4.5	Cylindre 4.5m	Zylinder 4.5m	Cilindro 4.5m	
2	6195249M91GY03	1	Tube - S/A (Terex Grey)	Tube - S/A (Terex Grey)	Tube - S/A (Terex Grey)	Tube - S/A (Terex Grey)	
3	6195253M1	4	Bush	Douille	Buchse	Casquillo	
4	6195255M1	2	Grease Nipple	Grease Nipple	Grease Nipple	Grease Nipple	
5	6195235M1	1	Ring - Cushion	Ring - Cushion	Ring - Cushion	Ring - Cushion	
6	6195259M1	2	Bearing - Piston	Bearing - Piston	Bearing - Piston	Bearing - Piston	
7	6195258M1	1	O - Ring	O - Ring	O - Ring	O - Ring	
8	6195257M1	1	Seal - Piston	Seal - Piston	Seal - Piston	Seal - Piston	
9	6195251M1	1	Piston	Piston	Piston	Piston	
10	6195254M1	1	Set Screw - Hex. Socket	Set Screw - Hex. Socket	Set Screw - Hex. Socket	Set Screw - Hex. Socket	
11	6194573M1	1	Wiper	Essuyeur	Wischer	Raspador, Escobilla	
12	6195262M1	1	Seal - Rod (Secondary)	Seal - Rod (Secondary)	Seal - Rod (Secondary)	Seal - Rod (Secondary)	
13	6194575M1	1	Seal - Rod (Primary)	Joint Étanchéité	Dichtring	Junta	
14	6195252M1	1	Cover - H.E.	Cover - H.E.	Cover - H.E.	Cover - H.E.	
15	6195256M1	1	Bush - Bimetal	Bush - Bimetal	Bush - Bimetal	Bush - Bimetal	
16	6195261M1	1	Ring - Back Up	Ring - Back Up	Ring - Back Up	Ring - Back Up	
17	6195260M1	1	O - Ring	O - Ring	O - Ring	O - Ring	
18	6194570M1	1	Ring - Back Up	Contre Bague	Stutzring	ContraJunta	
19	6195247M1	1	O - Ring	O - Ring	O - Ring	O - Ring	
20	6195250M91	1	Piston Rod - S/A	Piston Rod - S/A	Piston Rod - S/A	Piston Rod - S/A	
21	6195263M91	1	Seal Kit	Jeu Etancheite	Dichtringsatz	Juego Retenes	



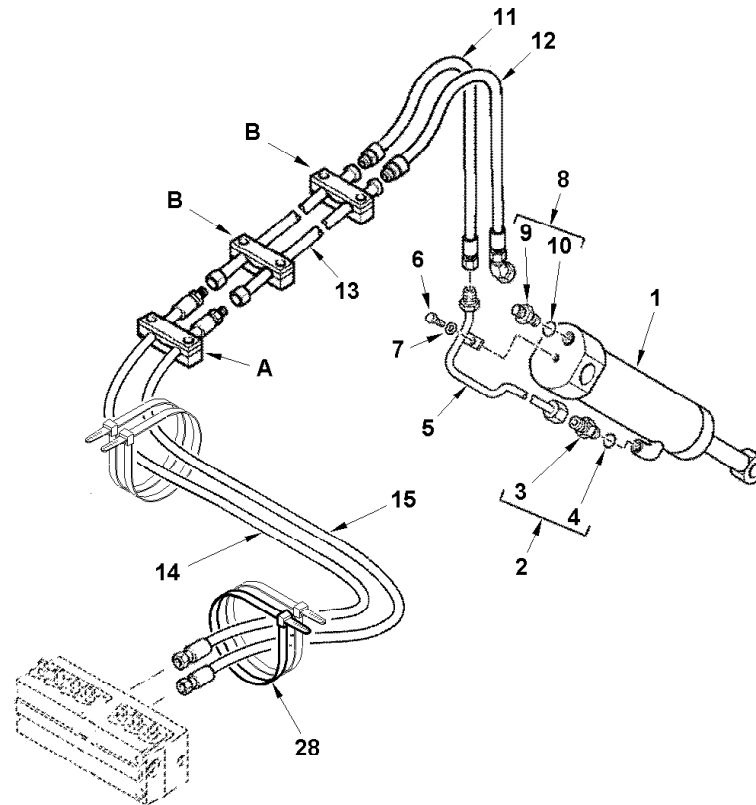
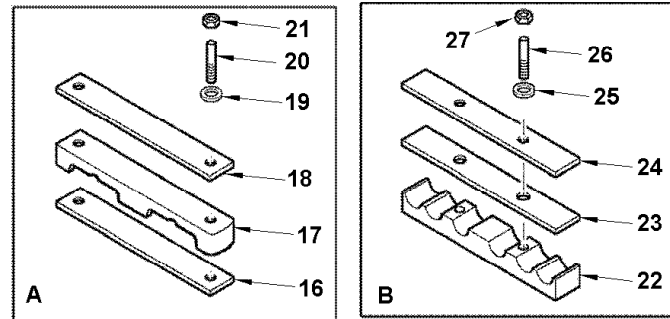
C-76046-07.1-A



Item	Part No.	Qty.	English	French	German	Spanish	Remarks
1	358728X91	1	Tee	Te	T-Stück	Te	
2	#TEE	1	Tee	Tee	Tee	Tee	Ref. 1
3	831497M1	1	O-Ring	Joint Torique	O-Ring	Junta De Tipo O	
4	6100716M91	1	Hose Slew Trsfr	Flexible Ass.	Schlauch Kplt	Flexible, Conj.	
5	6111175M92	1	Tube Assy Slew	Ensemble Tube	Rohr Kpl	Conj.De Tubo	RH Wipro
5	6100589M91	1	Tube Slew Trsf RH	Tuyauterie	Rohrleitung Kplt	Conjunto De Tubería	Pacoma
5	6100587M91	1	Tube Slew Trsf LH	Tuyauterie	Rohrleitung Kplt	Conjunto De Tubería	Pacoma
5	6111174M92	1	Tube Assy Slew	Ensemble Tube	Rohr Kpl	Conj. De Tubo	LH Wipro
6	#TUBE	1	Tube	Tube	Tube	Tube	Ref. 5
7	394923X1	1	O Ring	Joint Torique	O Ring	Junta De Tipo O	
8	357197X91	2	Elbow & O Ring	Coude	Kniestück, 90°	Codo, 90°	
9	#ELBOW	1	Elbow	Elbow	Elbow	Elbow	Ref. 8
10	831452M1	1	O Ring (Pack Of 10)	Joint Torique	O Ring	Junta De Tipo O	
11	6100716M91	1	Hose Slew Trsfr	Flexible Ass.	Schlauch Kplt	Flexible, Conj.	
12	358728X91	1	Tee	Te	T-Stück	Te	
13	#TEE	1	Tee	Tee	Tee	Tee	Ref. 12
14	831497M1	1	O-Ring	Joint Torique	O-Ring	Junta De Tipo O	
15	6100715M92	1	Hose-Digger-Green	Flexible Ass.	Schlauch Kplt	Flexible, Conj.	Purple
16	6101866M93	1	Hose-Digger-Green	Flexible Ass.	Schlauch Kplt	Flexible, Conj.	Green
17	3517114M2	2	P - Clip	Collier De Fixation	Befestigungsschelle	Argolla De Fijación	
18	385361X1	2	Washer M8 Hardened	Rondelle M8	Scheibe M8	Arandela	
19	339228X1	2	Bolt, Hex. - M8 X 12 (Coarse)	Boulon M8 X 12	Maschschraube M8	Tornillo	
20	1862425M1	1	Tie 385mm T50I	Attache Cable	Kabelbinder	Enlace De Cable	



C-76047-01.1-B

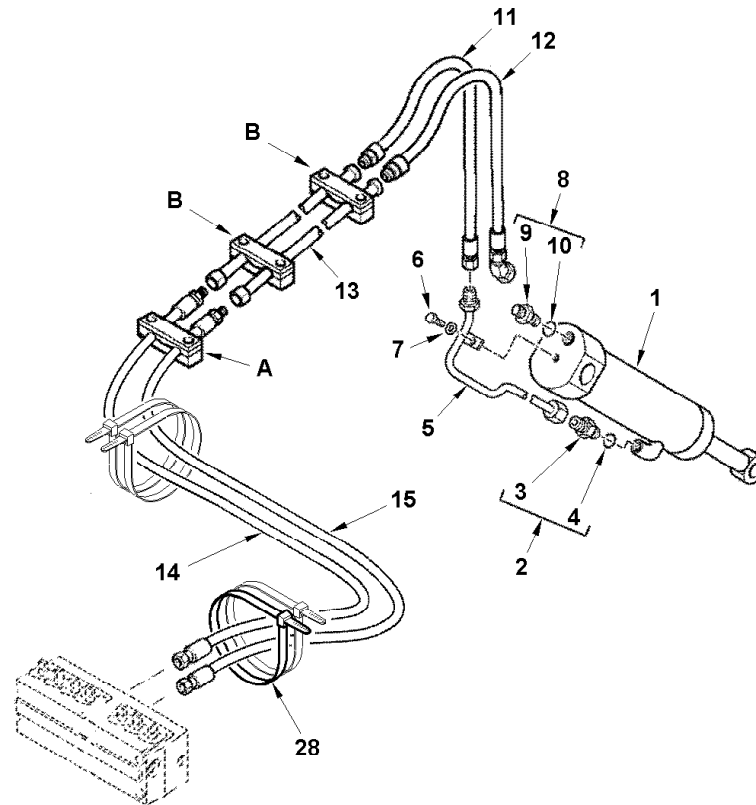
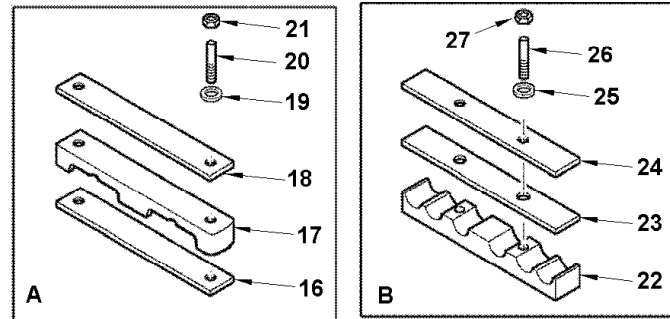




Item	Part No.	Qty.	English	French	German	Spanish	Remarks
1	#CYLINDER ASSY	1	Cylinder Assy	Cylinder Assy	Cylinder Assy	Cylinder Assy	76047c02.1 1 76047c02.2 1
2	835013M91	1	Connector 7/8 Jic	Raccord	Schraubanschluss	Conexión, Conj.	
3	#UNION	1	Union	Union	Union	Union	Ref. 2
4	835024M1	1	Ring O - Boa	Joint Torique	O Ring	Junta De Tipo O	
5	6101540M91	1	Tube Assy Bucket	Tuyauterie	Rohrleitung Kplt	Conjunto De Tubería	Tba Pacoma
5	6111161M91	1	Tube Assembly - Digger Bucket Cylinder	Tuyauterie	Rohrleitung Kplt	Conjunto De Tubería	Tba Wipro
6	339123X1	1	Bolt M8-20 Z5f	Boulon M8 X 20	Maschschraube M8	Perno	
7	385361X1	1	Washer M8 Hardened	Rondelle M8	Scheibe M8	Arandela	
8	835010M91	1	Elbow 45 Adj 7/8unf	Coude 135°	Winkelstück	Codo, 45°	
9	#ELBOW	1	Elbow	Elbow	Elbow	Elbow	Ref. 8
10	835024M1	1	Ring O - Boa	Joint Torique	O Ring	Junta De Tipo O	
11	#HOSE ASSY	1	Hose Assy	Hose Assy	Hose Assy	Hose Assy	Brown
12	#HOSE ASSY	1	Hose Assy	Hose Assy	Hose Assy	Hose Assy	White
13	6101771M91	2	Tube-Bucket-4.5m Boom	Tuyauterie	Rohrleitung Kplt	Conjunto De Tubería	Ec05/328
13	6111137M91	2	Tube Assy - Bkt 4.5m Boom	Ensemble Tube	Rohr Kpl	Conjunto De Tubería	Ec05/328
14	6111143M91	1	Hose Assy - Bucket Rod (Brown C/Mount)	Ensemble Durit	Schlauch Kpl	Flexible, Conj.	Brown Ec05/328
14	6102945M91	1	Hose-Bucket Rod-Brown	Flexible Ass.	Schlauch Kplt	Flexible, Conj.	Brown Ec05/328
15	6111144M91	1	Hose Assy- Bucket HD (White Centremount)	Ensemble Durit	Schlauch Kpl	Flexible, Conj.	White Ec05/328
15	6102942M91	1	Hose-Bucket Head-White	Flexible Ass.	Schlauch Kplt	Flexible, Conj.	White Ec05/328
16	6102128M1	1	Pad-Neoprene	Plaque Antidérapante	Zwischenlage	Cinta Antideslizante	
17	6102122M1	1	Clamp	Collier De Serrage	Klemme	Brida De Fijación	
18	6102130M1	1	Plate-Clamp	Plaque	Platte	Placa	
19	390972X1	2	Washer M8-17-1 Zwl	Rondelle M8	Scheibe - M8	Arandela	
20	3516075M1	2	Stud M8-65 Z5	Goujon	Stehbolzen	Espárrago	
21	394367X1	2	Nut, Hex. - Nyloc, M8	Ecrou Blocage M8	Flachmutter - M8	Tuerca De Retención	
22	6102126M1	2	Clamp	Collier De Serrage	Klemme	Brida De Fijación	
23	6102145M1	2	Pad-Neoprene	Plaque Antidérapante	Zwischenlage	Cinta Antideslizante	
24	6102124M1	2	Plate-Top	Plaque	Platte	Placa	
25	390972X1	4	Washer M8-17-1 Zwl	Rondelle M8	Scheibe - M8	Arandela	
26	6108049M1	4	Stud M8	Goujon	Stehbolzen	Espárrago	

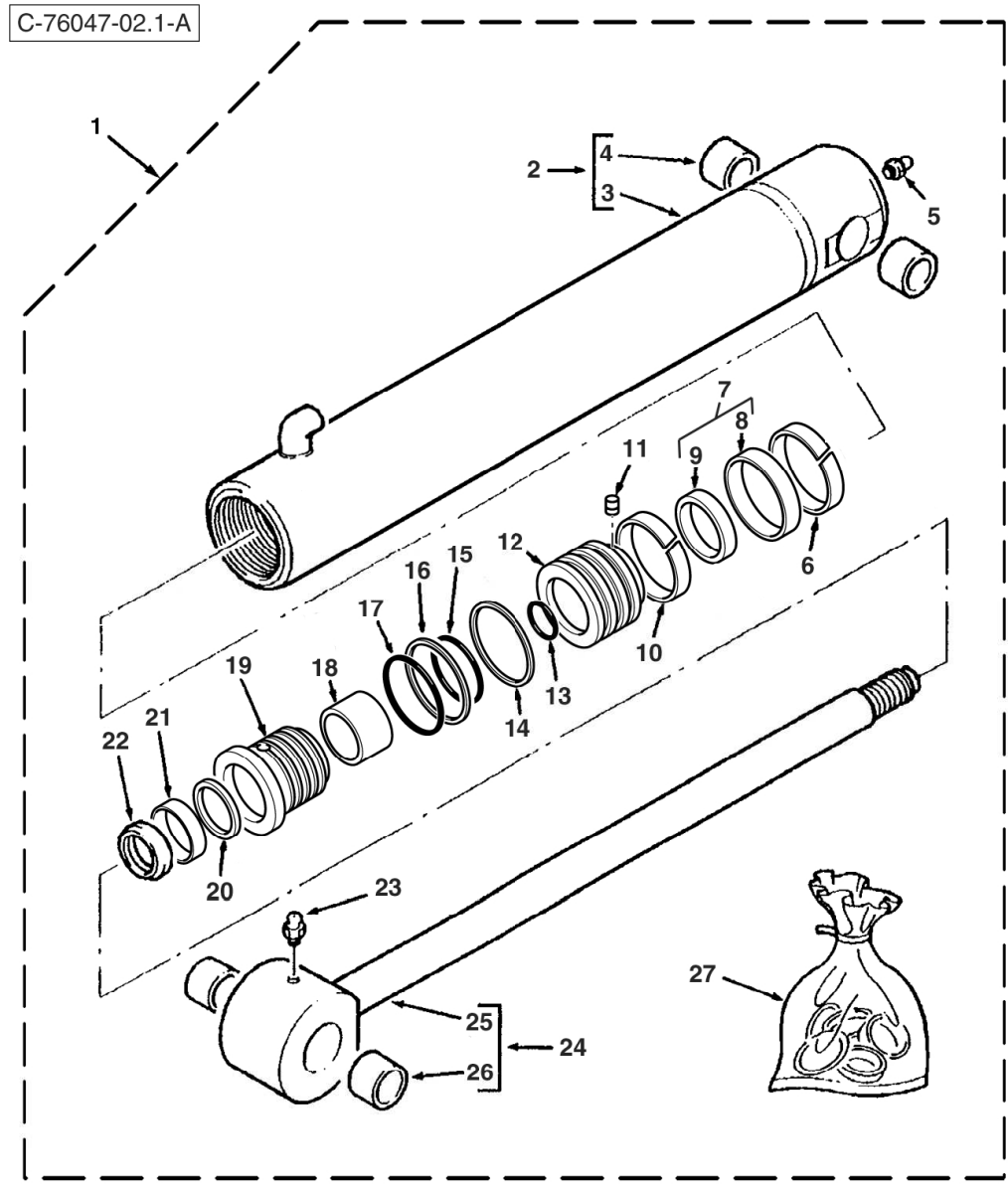


C-76047-01.1-B



<b>Item</b>	<b>Part No.</b>	<b>Qty.</b>	<b>English</b>	<b>French</b>	<b>German</b>	<b>Spanish</b>	<b>Remarks</b>
27	394367X1	4	Nut, Hex. - Nyloc, M8	Ecrou Blocage M8	Flachmutter - M8	Tuerca De Retención	
28	8000-1379	4	Tie Wrap ( 530 X 13mm )	Bride	Buegel	Banda	

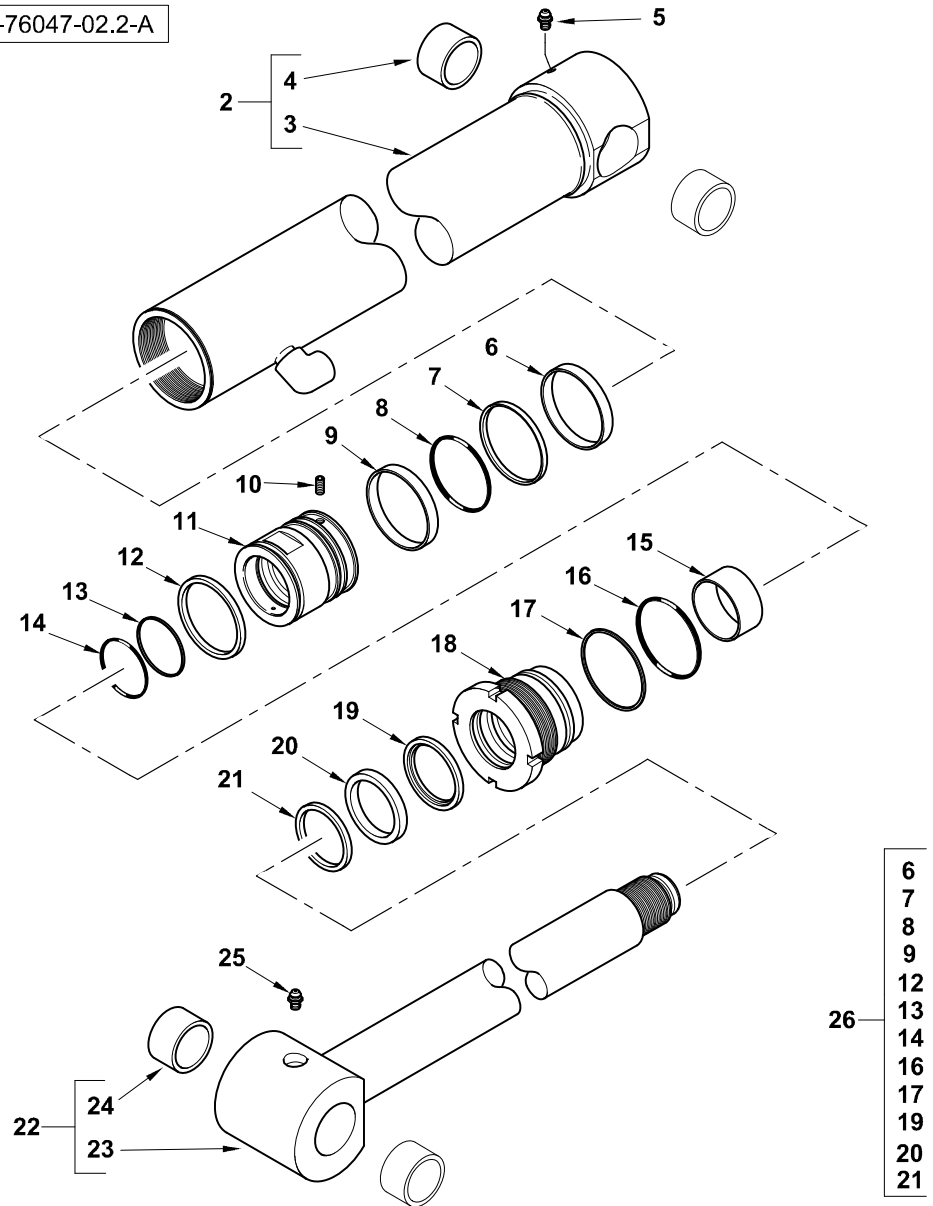




Item	Part No.	Qty.	English	French	German	Spanish	Remarks
1	5000126M91GY02	1	Cylinder Digger Bucket (Benford Grey)	L´Hie Hydraulique	Zylinder Hydr.	Gato, Conj.	Tba [76047c01.1 1]
2	5004008M91	1	Barrel Assy	Cylindre	Zylinder	Cilindro	
3	#TUBE, CYLINDER	1	Tube, Cylinder	Tube, Cylinder	Tube, Cylinder	Tube, Cylinder	Ref. 2
4	#BUSHING	1	Bushing	Douille	Busche	Boccola	
5	339608X1	1	Grease Nipple - M10 X 1 (Zinc)	Nipple De Graissage	Schmiernippel	Engrasador	
6	3485892M1	1	Guide Ring Piston	Bague D´Étanchéité	Dichtungsring	Anillo, Estanqueidad	
7	3485245M91	1	Seal Assy Piston	Joint Ass.	Dichtung Kplt	Junta, Conj.	
8	#SEAL	1	Seal	Joint Étanchéité	Dichtring	Retén	Ref. 7
9	#RING	1	Ring	Anneau	Ring	Aro	Ref. 7
10	3485892M1	1	Guide Ring Piston	Bague D´Étanchéité	Dichtungsring	Anillo, Estanqueidad	
11	3402928M1	1	Screw, Socket Head - Piston Locating	Vis Tête Hex	Zylinderschraube	Tornillo	
12	3623372M1	1	Piston	Piston	Kolben	Pistón	
13	359186X1	1	O-Ring	Joint Torique	O-Ring	Junta De Tipo O	
14	3623061M1	1	Ring Piston	Segment De Piston	Kolbenring	Segmento De Pistón	
15	359193X1	1	O-Ring	Joint Torique	O-Ring	Junta De Tipo O	
16	1606735M1	1	Ring Back-Up	Contre Bague	Stützring	ContraJunta	
17	3487207M1	1	O-Ring	Joint Torique	O-Ring	Junta De Tipo O	
18	3484615M1	1	Guide Ring	Anneau	Ring	Aro	
19	3623371M1	1	Gland - Bucket Cylinder	Presse Étoupe	Stopfbuchse	Cojinete	
20	3484055M1	1	Ring Buffer	Anneau	Ring	Aro	
21	3485185M1	1	Seal	Joint D´Arbre	Wellendichtring	Junta	
22	3487015M1	1	Wiper Ring	Anneau	Ring	Aro	
23	339608X1	1	Grease Nipple - M10 X 1 (Zinc)	Nipple De Graissage	Schmiernippel	Engrasador	
24	5004012M91	1	Piston Rod Assy - Nla	Tige De Vérin	Kolbenstange	Vástago Cilindro	
25	#ROD, PISTON	1	Rod, Piston	Rod, Piston	Rod, Piston	Rod, Piston	Ref. 24
26	#BUSHING	1	Bushing	Douille	Busche	Boccola	
27	3623373M91	1	Kit Seal	Jeu Etancheite	Dichtringsatz	Juego De Juntas	

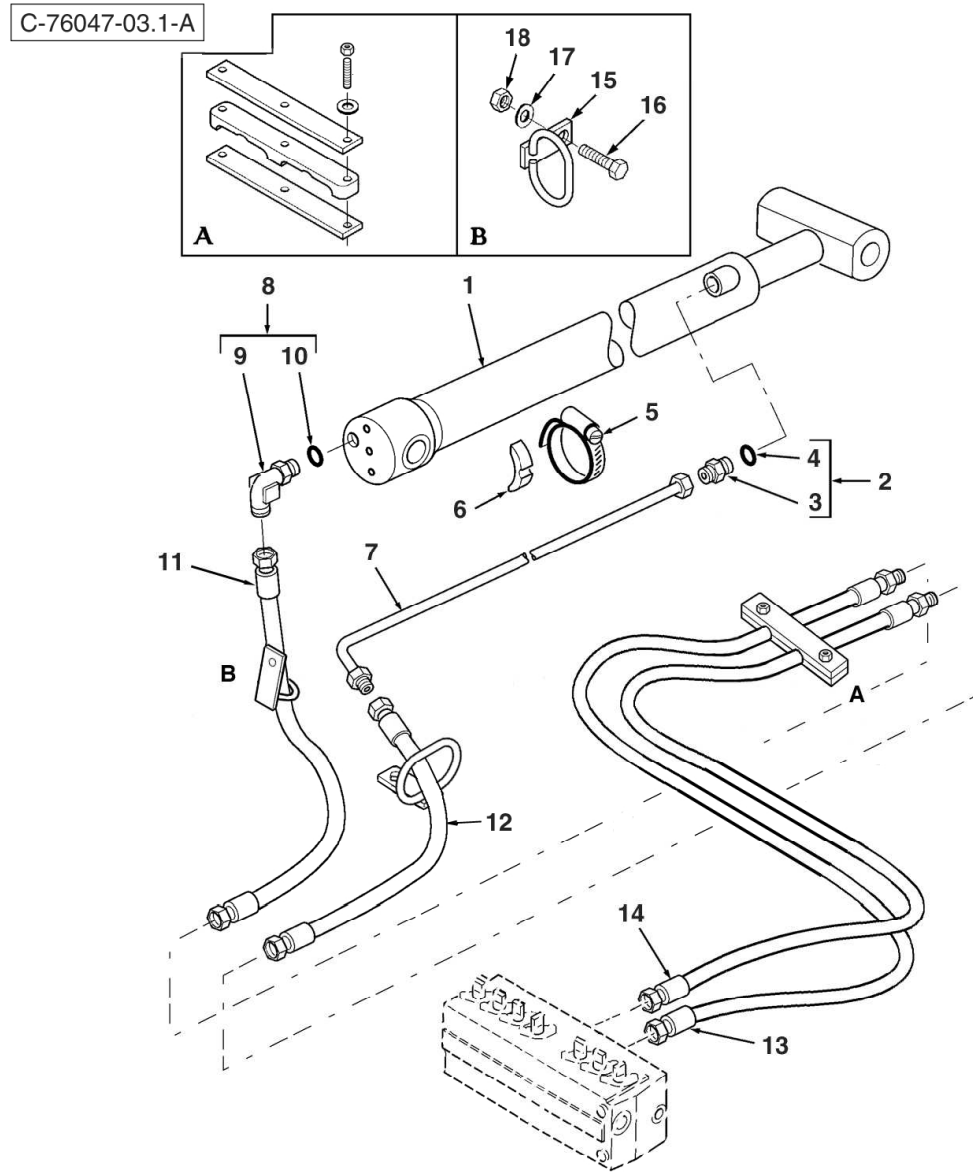


C-76047-02.2-A



Item	Part No.	Qty.	English	French	German	Spanish	Remarks
1	6111070M91GY03	1	Cylinder- Digger Bucket	Cylindre	Zylinder	Gato, Conj.	Tba [76047c01.1 1]
2	6194629M91	1	Barrel - Cylinder	Corps Cylindre	Zylindergehäuse	Tubo	
3	#TUBE	1	Tube	Tube	Tube	Tube	Ref. 2
4	6194562M1	2	Bush	Douille	Büchse	Casquillo	
5	6194542M1	1	Nipple - Grease	Graisseur Coude	Nippel	Manguito, Engrasador	
6	6194634M1	1	Bearing - Piston	Coussinet	Lager	Teniendo - Pistón	
7	6194635M1	1	Seal - Piston	Joint Étanchéité	Dichtring	Junta	
8	6194636M1	1	O Ring (Std)	Joint Torique	O Ring	Junta De Tipo O	
9	6194634M1	1	Bearing - Piston	Coussinet	Lager	Teniendo - Pistón	
10	6194633M1	1	Set Screw - Hex Socket	Vis Tete Hex	Zylinderschraube	Tornillo De Ajuste	
11	6194631M1	1	Piston	Piston	Kolben	Pistón	
12	6194637M1	1	Ring - Piston	Segment Piston	Kolbenring	Segmento De Pistón	
13	6194625M1	1	Ring - Back Up	Contre Bague	Stutzring	ContraJunta	
14	6194624M1	1	O Ring (Std)	Joint Torique	O Ring	Junta De Tipo O	
15	6194541M1	1	Bush - Bimetal	Douille	Büchse	Juego De Anillos	
16	6194640M1	1	O Ring (Std)	Joint Torique	O Ring	Junta De Tipo O	
17	6194641M1	1	Ring - Back Up	Contre Bague	Stutzring	ContraJunta	
18	6194632M1	1	End Cover - Head	Couvercle	Deckel	Tapa	
19	6194638M1	1	Seal - Rod (Primary)	Joint Étanchéité	Dichtring	Junta	
20	6194639M1	1	Seal- Rod (Secondary)	Joint Étanchéité	Dichtring	Junta	
21	6194554M1	1	Wiper	Essuyeur	Wischer	Raspador, Escobilla	
22	6194630M91	1	Rod - Piston	Bielle De Piston	Pleuelstange	Rod - Pistón	
23	#ROD	1	Rod	Rod	Rod	Rod	Ref. 22
24	6194562M1	2	Bush	Douille	Büchse	Casquillo	
25	6194542M1	1	Nipple - Grease	Graisseur Coude	Nippel	Manguito, Engrasador	
26	6194642M91	0	Seal Kit	Jeu Etancheite	Dichtringsatz	Juego De Juntas	

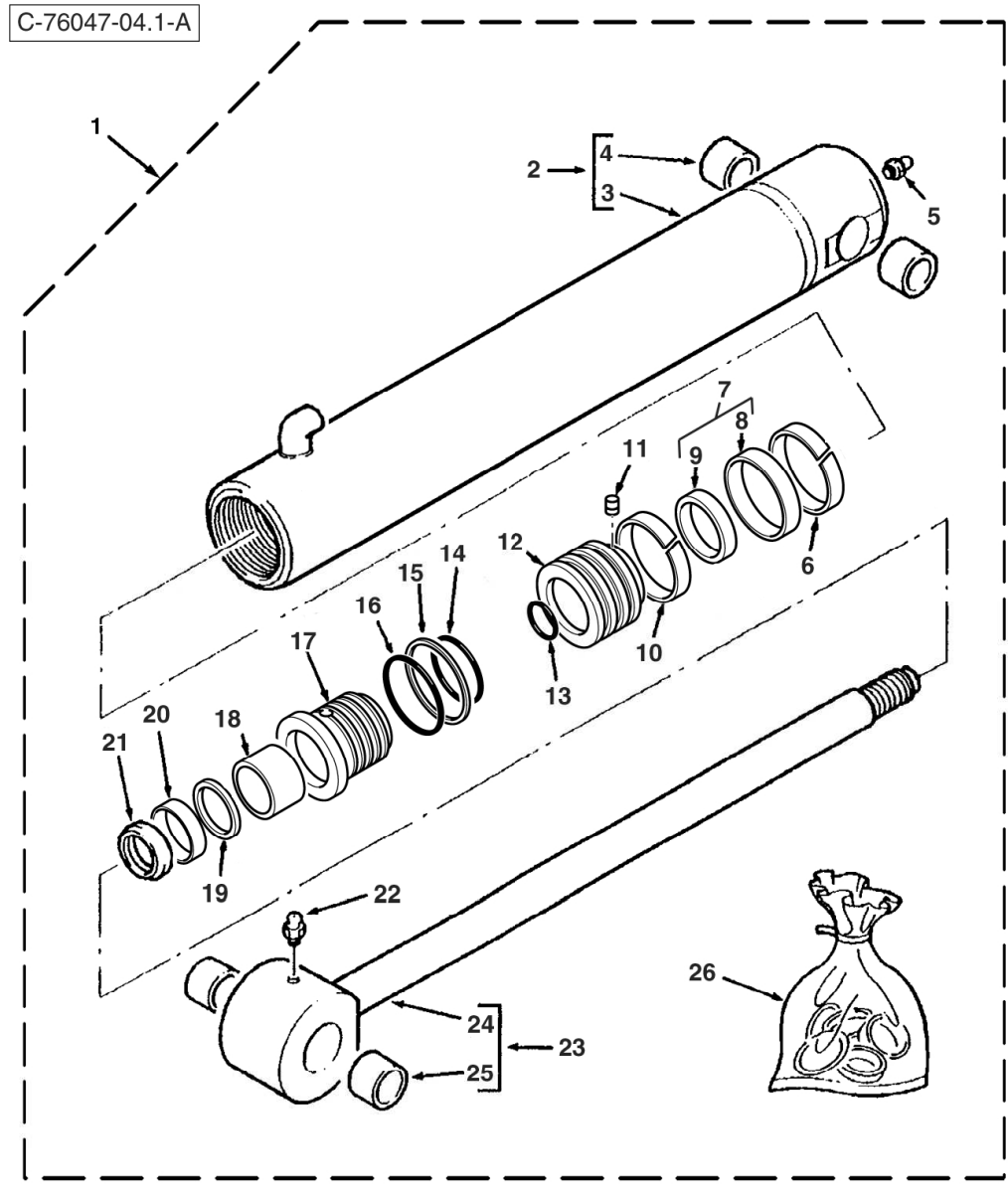






Item	Part No.	Qty.	English	French	German	Spanish	Remarks
1	#CYLINDER ASSY	1	Cylinder Assy	Cylinder Assy	Cylinder Assy	Cylinder Assy	76047c04.1 1 76047c04.2 1
2	835013M91	1	Connector 7/8 Jic	Raccord	Schraubanschluss	Conexión, Conj.	
3	#UNION	1	Union	Union	Union	Union	Ref. 2
4	835024M1	1	Ring O - Boa	Joint Torique	O Ring	Junta De Tipo O	
5	3517733M1	1	Clamp Hose 130-150	Collier De Serrage	Schlauchbinder	Argolla De Cierre	
6	D142787	1	Saddle (See 142787d)	Selle	Sattel	Bloque De Caucho	
7	#TUBE ASSY	1	Tube Assy	Tube Assy	Tube Assy	Tube Assy	
8	#ELBOW	1	Elbow	Elbow	Elbow	Elbow	
9	#ELBOW	1	Elbow	Elbow	Elbow	Elbow	Ref. 8
10	#O-RING	1	O-Ring	Joint Torique	O-Ring	Junta Tórica	
11	6101738M91	1	Hose-Dipper Head	Flexible Ass.	Schlauch Kplt	Flexible, Conj.	Yellow
12	6101737M91	1	Hose-Dipper Rod	Flexible Ass.	Schlauch Kplt	Flexible, Conj.	Red
13	6102941M91	1	Hose-Dipper Head-Yellow	Flexible Ass.	Schlauch Kplt	Flexible, Conj.	Yellow
14	6102944M91	1	Hose-Dipper Rod	Flexible Ass.	Schlauch Kplt	Flexible, Conj.	Red
15	6101491M92	2	Hose Hoop Assy	Ensemble De Support	Haltevorrichtung Kpl.	Apoyadero, Conj.	
16	339761X1	2	Bolt M8-25 Z5f	Goupille	Bolzen M8 X 25	Tornillo	
17	390972X1	2	Washer M8-17-1 Zwl	Rondelle M8	Scheibe - M8	Arandela	
18	394367X1	2	Nut, Hex. - Nyloc, M8	Ecrou Blocage M8	Flachmutter - M8	Tuerca De Retención	

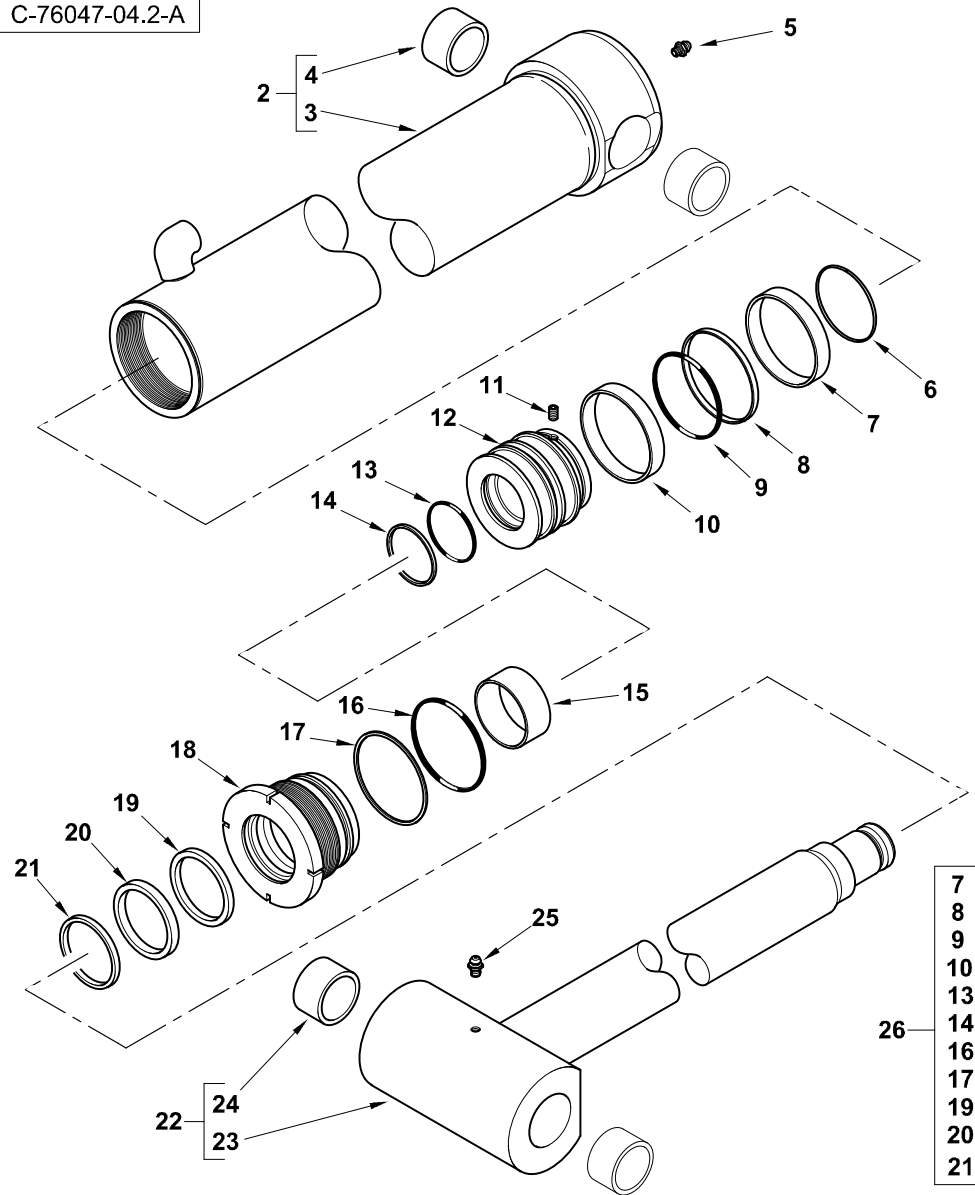




Item	Part No.	Qty.	English	French	German	Spanish	Remarks
1	5000124M91GY02	1	Cylinder Dipperstick (Benford Grey)	L´Hie Hydraulique	Zylinder Hydr.	Gato, Conj.	Tba [76047c03.1 1]
2	5003982M91	1	Barrel Assy. - Dipper Cylinder	Corps Cylindre	Zylindergehäuse	Cilindro	
3	#TUBE, CYLINDER	1	Tube, Cylinder	Tube, Cylindre	Tube, Cylinder	Tube, Cylinder	Ref. 2
4	3484843M1	1	Bush, Hydr. Cylinders	Douille	Buechse	Casquillo	
5	339608X1	1	Grease Nipple - M10 X 1 (Zinc)	Nipple De Graissage	Schmiernippel	Engrasador	
6	3485891M1	1	Guide Ring Piston	Anneau	Ring	Aro	
7	3485247M91	1	Seal Piston	Joint	Dichtung	Junta, Conj.	
8	#SEAL	1	Seal	Joint Étanchéité	Dichtring	Retén	Ref. 7
9	#RING	1	Ring	Anneau	Ring	Aro	Ref. 7
10	3485891M1	1	Guide Ring Piston	Anneau	Ring	Aro	
11	3402928M1	1	Screw, Socket Head - Piston Locating	Vis Tête Hex	Zylinderschraube	Tornillo	
12	5003989M1	1	Piston	Piston	Kolben	Pistón	
13	3007182X1	1	O-Ring	Joint Torique	O-Ring	Junta De Tipo O	
14	359196X1	1	O Ring	Joint Torique	O Ring	Junta De Tipo O	
15	378545X1	1	Ring - Backup	Contre Bague	Stutzring	Aro	
16	3487908M1	1	O Ring, Hydr. Cylinder	Joint Torique	O Ring	Junta De Tipo O	
17	5003988M1	1	Bearing Cylinder	Roulement	Lager	Cojinete	
18	3623193M1	1	Guide Ring	Anneau	Ring	Aro	
19	3443388M1	1	Ring - Back Up	Anneau	Ring	Aro	
20	3443472M1	1	Seal	Joint D´Arbre	Wellendichtring	Junta	
21	3403385M1	1	Wiper Ring	Joint De Racleur	Abstreifdichtung	Junta Raspador	
22	339608X1	1	Grease Nipple - M10 X 1 (Zinc)	Nipple De Graissage	Schmiernippel	Engrasador	
23	5003985M91	1	Piston Rod Assy	Tige De Vérin	Kolbenstange	Vástago Cilindro	
24	#ROD, PISTON	1	Rod, Piston	Rod, Piston	Rod, Piston	Rod, Piston	Ref. 23
25	3484843M1	1	Bush, Hydr. Cylinders	Douille	Buechse	Casquillo	
26	5004401M91	1	Kit Seal	Jeu Étanchéité	Dichtringsatz	Juego De Juntas	



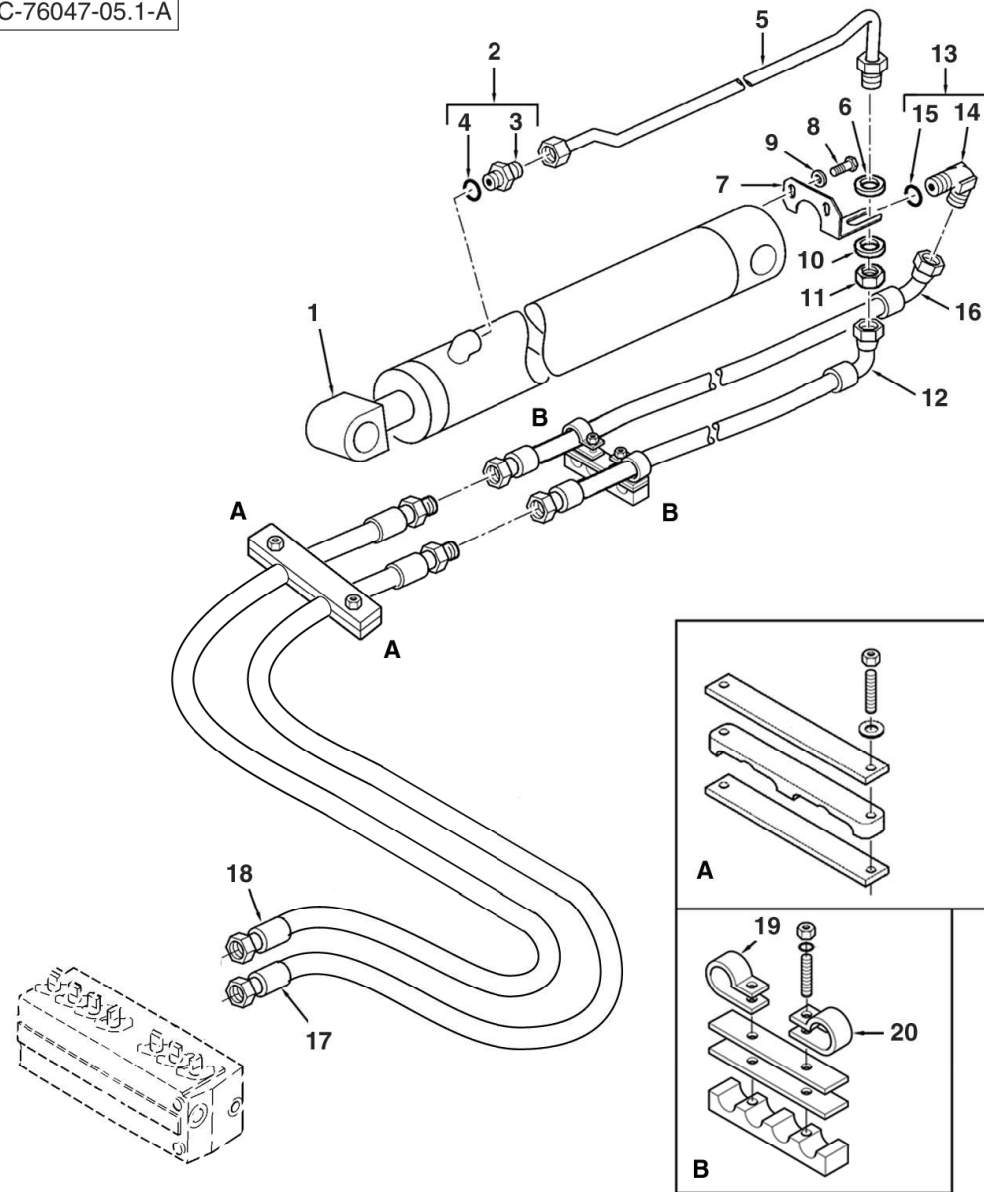
C-76047-04.2-A



Item	Part No.	Qty.	English	French	German	Spanish	Remarks
1	6111069M91GY03	1	Cylinder - Dipperstick	Cylindre	Zylinder	Gato, Conj.	Tba [76047c03.1 1]
2	6194615M91	1	Barrel - Cylinder	Corps Cylindre	Zylindergehäuse	Conjunto De Tubería	
3	#TUBE	1	Tube	Tube	Tube	Tube	Ref. 2
4	6194562M1	2	Bush	Douille	Büchse	Casquillo	
5	6194542M1	1	Nipple - Grease	Graisseur Coude	Nippel	Manguito, Engrasador	
6	6194620M1	1	Ring - Snap	Fermeoir	Sprengring	Anillo De Resorte	
7	6194621M1	1	Bearing - Piston	Coussinet	Lager	Teniendo - Pistón	
8	6194622M1	1	Seal - Piston	Joint Étanchéité	Dichtring	Junta	
9	6194623M1	1	O Ring (Std)	Joint Torique	O Ring	Junta De Tipo O	
10	6194621M1	1	Bearing - Piston	Coussinet	Lager	Teniendo - Pistón	
11	6194619M1	1	Set Screw	Vis	Schraube	Tornillo De Ajuste	
12	6194617M1	1	Piston	Piston	Kolben	Pistón	
13	6194624M1	1	O Ring (Std)	Joint Torique	O Ring	Junta De Tipo O	
14	6194625M1	1	Ring - Back Up	Contre Bague	Stutzring	ContraJunta	
15	6194565M1	1	Bush - Bimetal	Douille	Büchse	Juego De Anillos	
16	6194626M1	1	O Ring (Std)	Joint Torique	O Ring	Junta De Tipo O	
17	6194627M1	1	Ring - Back Up	Contre Bague	Stutzring	ContraJunta	
18	6194618M1	1	End Cover - Head	Couvercle	Deckel	Tapa	
19	6194575M1	1	Seal - Rod (Primary)	Joint Étanchéité	Dichtring	Junta	
20	6194576M1	1	Seal- Rod (Secondary)	Joint Étanchéité	Dichtring	Junta	
21	6194573M1	1	Wiper	Essuyeur	Wischer	Raspador, Escobilla	
22	6194616M91	1	Rod - Piston	Bielle De Piston	Pleuelstange	Rod - Pistón	
23	#ROD	1	Rod	Rod	Rod	Rod	Ref. 22
24	6194562M1	2	Bush	Douille	Büchse	Casquillo	
25	6194542M1	1	Nipple - Grease	Graisseur Coude	Nippel	Manguito, Engrasador	
26	6194628M91	0	Seal Kit	Jeu Etancheite	Dichtringsatz	Juego De Juntas	

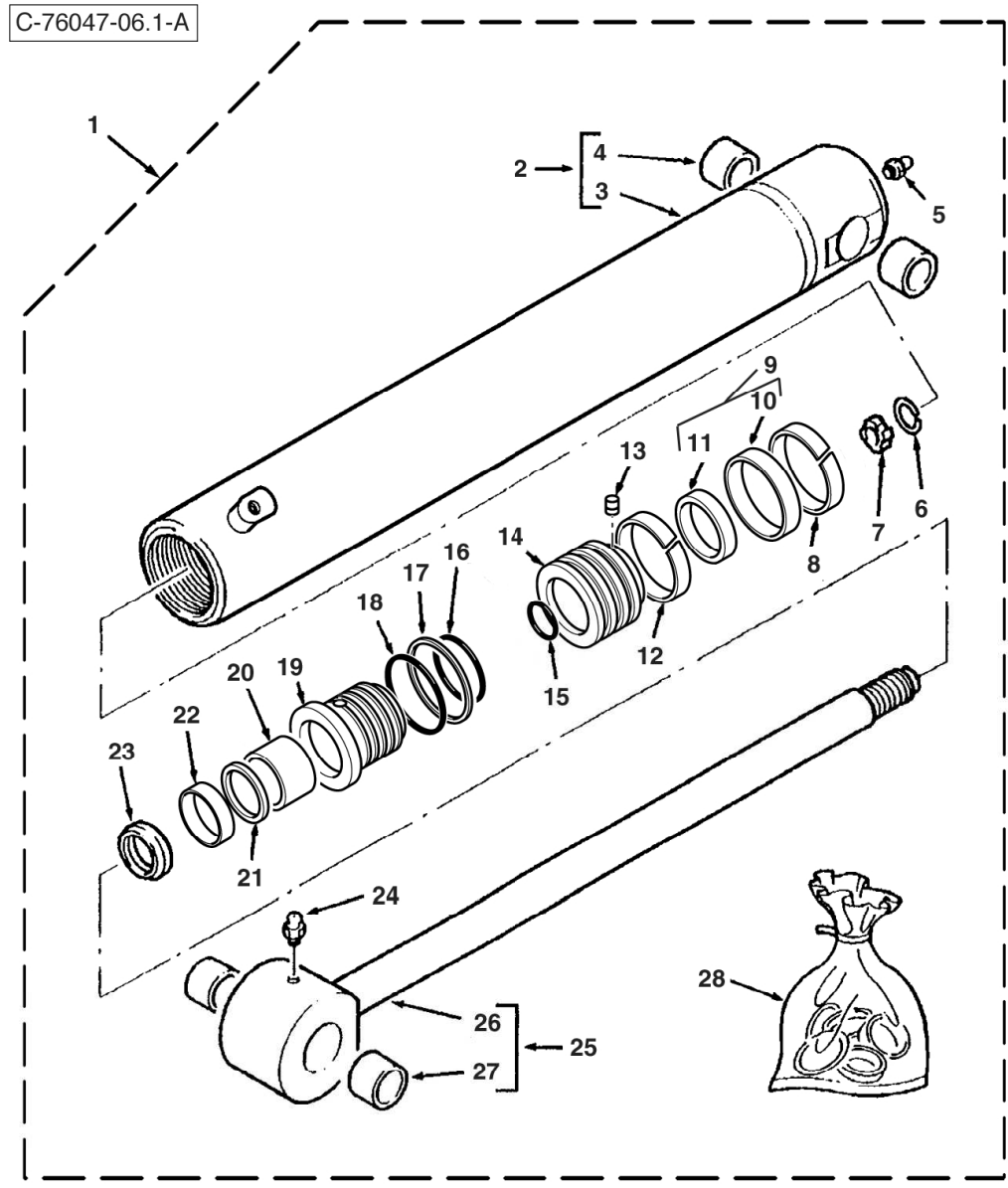


C-76047-05.1-A



Item	Part No.	Qty.	English	French	German	Spanish	Remarks
1	5000122M91	1	Cylinder 4.5m B00m - Hi Spec	L'Hie Hydraulique	Zylinder Hydr.	Gato, Conj.	Pacoma
1	6111078M91GY03	1	Cylinder Boom 4.5	Cylindre 4.5m	Zylinder 4.5m	Cilindro 4.5m	Wipro
2	835013M91	1	Connector 7/8 Jic	Raccord	Schraubanschluss	Conexión, Conj.	
3	#UNION	1	Union	Union	Union	Union	Ref. 2
4	835024M1	1	Ring O - Boa	Joint Torique	O Ring	Junta De Tipo O	
5	6101956M92	1	Tube Assy - Boom Cyl. 4.5 (Hose Burst)	Tuyauterie	Rohrleitung Kplt	Conjunto De Tubería	Pacoma
5	6111165M92	1	Tube Assy - Boom Cyl. 4.5 (Hose Burst)	Tuyauterie	Rohrleitung Kplt	Conjunto De Tubería	Wipro
6	#WASHER	1	Washer	Rondelle	Unterlegscheibe	Arandela	
7	#BRACKET	1	Bracket	Bracket	Bracket	Bracket	
8	339228X1	2	Bolt, Hex. - M8 X 12 (Coarse)	Boulon M8 X 12	Maschschraube M8	Tornillo	
9	339374X1	2	Washer M8 -21-2 Z	Rondelle Frein - M8	Federring - M8	Arandela De Freno	
10	#WASHER	1	Washer	Rondelle	Unterlegscheibe	Arandela	
11	#NUT	1	Nut	Ecrou	Mutter	Tuerca	
12	#HOSE ASSY	1	Hose Assy	Hose Assy	Hose Assy	Hose Assy	Orange
13	#ELBOW	1	Elbow	Elbow	Elbow	Elbow	
14	#ELBOW	1	Elbow	Elbow	Elbow	Elbow	Ref. 13
15	#O-RING	1	O-Ring	Joint Torique	O-Ring	Junta Tórica	
16	6101736M92	1	Hose, "Blue" - Boom Cylinder Feed	Flexible	Schlauch	Flexible, Conj.	Blue
17	6102943M91	1	Hose-Boom Rod-Orange	Flexible Ass.	Schlauch Kplt	Flexible, Conj.	Orange
18	6102940M91	1	Hose-Boom Head-Blue	Flexible Ass.	Schlauch Kplt	Flexible, Conj.	Blue
19	515-23270	1	Clip-Coated P	Clip	Klips	Clip	
20	515-23206	1	P Clip Bsr081hs	Bride Pour Tutaux	Schlauchschelle	Abrazadera De Manguera	

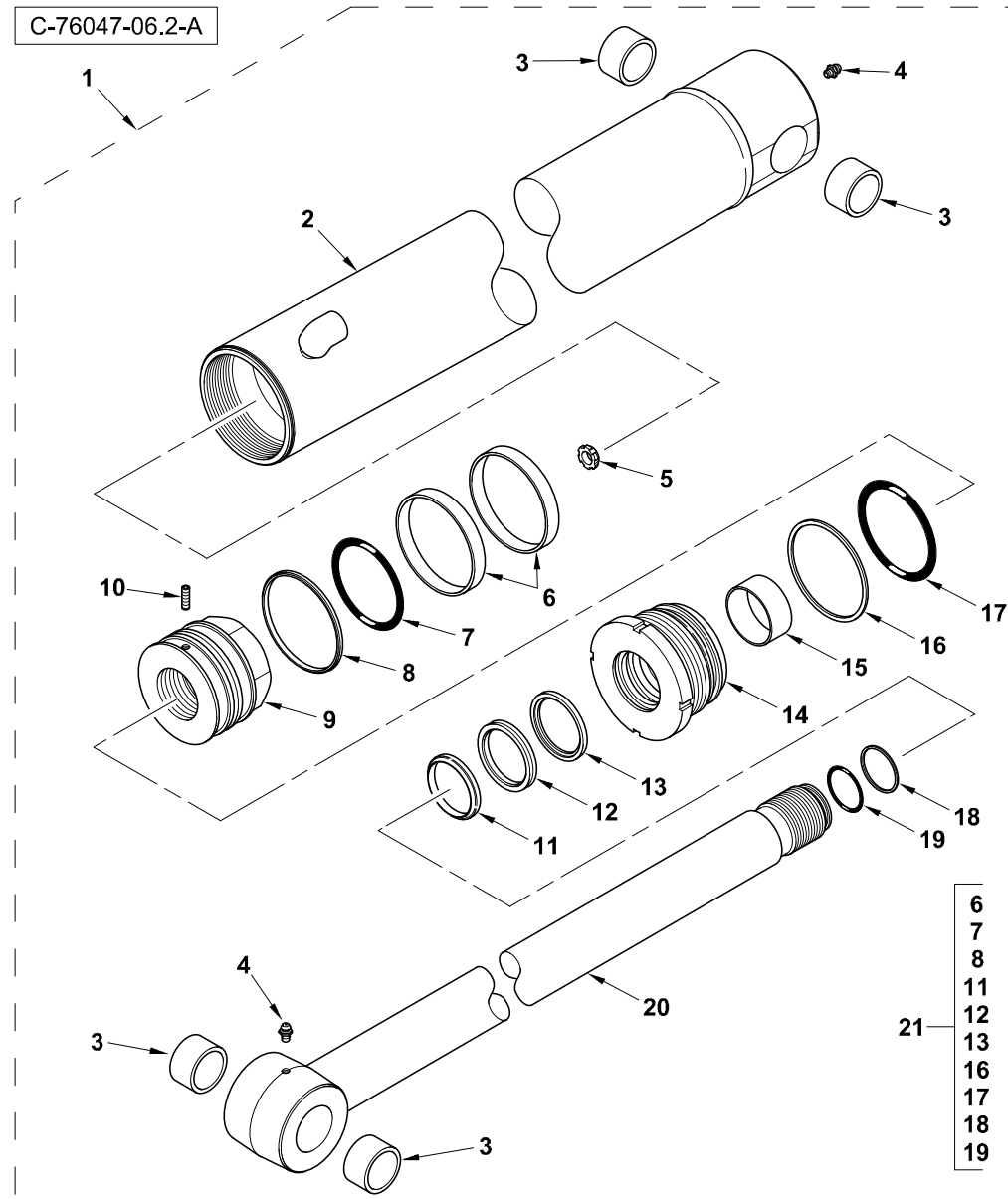






Item	Part No.	Qty.	English	French	German	Spanish	Remarks
1	5000122M91	1	Cylinder 4.5m B00m - Hi Spec	L´Hie Hydraulique	Zylinder Hydr.	Gato, Conj.	76047c05.1 1
2	5003912M91	1	Barrel Assy	Cylindre	Zylinder	Cilindro	
3	#TUBE, CYLINDER	1	Tube, Cylinder	Tube, Cylinder	Tube, Cylinder	Tube, Cylinder	Ref. 2
4	#BUSHING	2	Bushing	Douille	Busche	Boccola	
5	339608X1	1	Grease Nipple - M10 X 1 (Zinc)	Nipple De Graissage	Schmiernippel	Engrasador	
6	1609899M1	1	Snap Ring	Anneau D´Arrêt	Sprengring	Anillo De Resorte	
7	1609328M1	1	Ring Cushioning	Anneau	Ring	Aro	
8	3403852M1	1	Ring, Guide - Piston	Anneau	Ring	Aro	
9	3485213M91	1	Seal Piston	Joint	Dichtung	Junta, Conj.	
10	#SEAL	1	Seal	Joint Étanchéité	Dichtring	Retén	Ref. 9
11	#SEAL	1	Seal	Joint Étanchéité	Dichtring	Retén	Ref. 9
12	3403852M1	1	Ring, Guide - Piston	Anneau	Ring	Aro	
13	3402928M1	1	Screw, Socket Head - Piston Locating	Vis Tête Hex	Zylinderschraube	Tornillo	
14	3484189M1	1	Piston	Piston	Kolben	Pistón	
15	3007182X1	1	O-Ring	Joint Torique	O-Ring	Junta De Tipo O	
16	359203X1	1	O-Ring	Joint Torique	O-Ring	Junta De Tipo O	
17	367120X1	1	Back-Up Ring	Contre Bague	Stützring	Aro	
18	3487909M1	1	O-Ring	Joint Torique	O-Ring	Junta De Tipo O	
19	3623202M1	1	Bearing	Roulement	Lager	Cojinete	
20	3623193M1	1	Guide Ring	Anneau	Ring	Aro	
21	3443388M1	1	Ring - Back Up	Anneau	Ring	Aro	
22	3443472M1	1	Seal	Joint D´Arbre	Wellendichtring	Junta	
23	3403385M1	1	Wiper Ring	Joint De Racleur	Abstreifdichtung	Junta Raspador	
24	339608X1	1	Grease Nipple - M10 X 1 (Zinc)	Nipple De Graissage	Schmiernippel	Engrasador	
25	3441629M91	1	Piston Rod Assy	Tige De Vérin	Kolbenstange	Vástago Cilindro	
26	#ROD, PISTON	1	Rod, Piston	Rod, Piston	Rod, Piston	Rod, Piston	Ref. 25
27	3484843M1	1	Bush, Hydr. Cylinders	Douille	Buechse	Casquillo	
28	3623589M91	1	Kit, Seal - Hydraulic Cylinder	Jeu Etancheite	Dichtringsatz	Juego De Juntas	

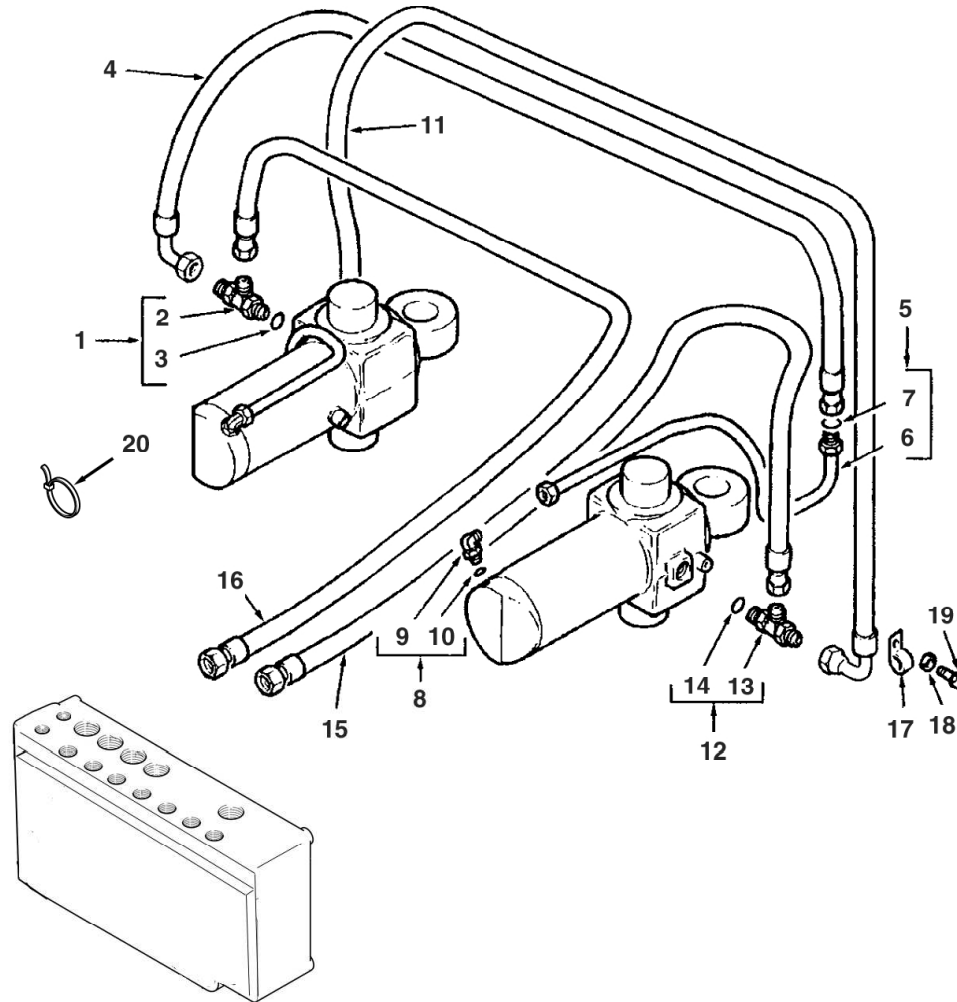




Item	Part No.	Qty.	English	French	German	Spanish	Remarks
1	6111078M91GY03	1	Cylinder Boom 4.5	Cylindre 4.5m	Zylinder 4.5m	Cilindro 4.5m	
2	6195249M91GY03	1	Tube - S/A (Terex Grey)	Tube - S/A (Terex Grey)	Tube - S/A (Terex Grey)	Tube - S/A (Terex Grey)	
3	6195253M1	4	Bush	Douille	Buchse	Casquillo	
4	6195255M1	2	Grease Nipple	Grease Nipple	Grease Nipple	Grease Nipple	
5	6195235M1	1	Ring - Cushion	Ring - Cushion	Ring - Cushion	Ring - Cushion	
6	6195259M1	2	Bearing - Piston	Bearing - Piston	Bearing - Piston	Bearing - Piston	
7	6195258M1	1	O - Ring	O - Ring	O - Ring	O - Ring	
8	6195257M1	1	Seal - Piston	Seal - Piston	Seal - Piston	Seal - Piston	
9	6195251M1	1	Piston	Piston	Piston	Piston	
10	6195254M1	1	Set Screw - Hex. Socket	Set Screw - Hex. Socket	Set Screw - Hex. Socket	Set Screw - Hex. Socket	
11	6194573M1	1	Wiper	Essuyeur	Wischer	Raspador, Escobilla	
12	6195262M1	1	Seal - Rod (Secondary)	Seal - Rod (Secondary)	Seal - Rod (Secondary)	Seal - Rod (Secondary)	
13	6194575M1	1	Seal - Rod (Primary)	Joint Étanchéité	Dichtring	Junta	
14	6195252M1	1	Cover - H.E.	Cover - H.E.	Cover - H.E.	Cover - H.E.	
15	6195256M1	1	Bush - Bimetal	Bush - Bimetal	Bush - Bimetal	Bush - Bimetal	
16	6195261M1	1	Ring - Back Up	Ring - Back Up	Ring - Back Up	Ring - Back Up	
17	6195260M1	1	O - Ring	O - Ring	O - Ring	O - Ring	
18	6194570M1	1	Ring - Back Up	Contre Bague	Stutzring	ContraJunta	
19	6195247M1	1	O - Ring	O - Ring	O - Ring	O - Ring	
20	6195250M91	1	Piston Rod - S/A	Piston Rod - S/A	Piston Rod - S/A	Piston Rod - S/A	
21	6195263M91	1	Seal Kit	Jeu Etancheite	Dichtringsatz	Juego Retenes	



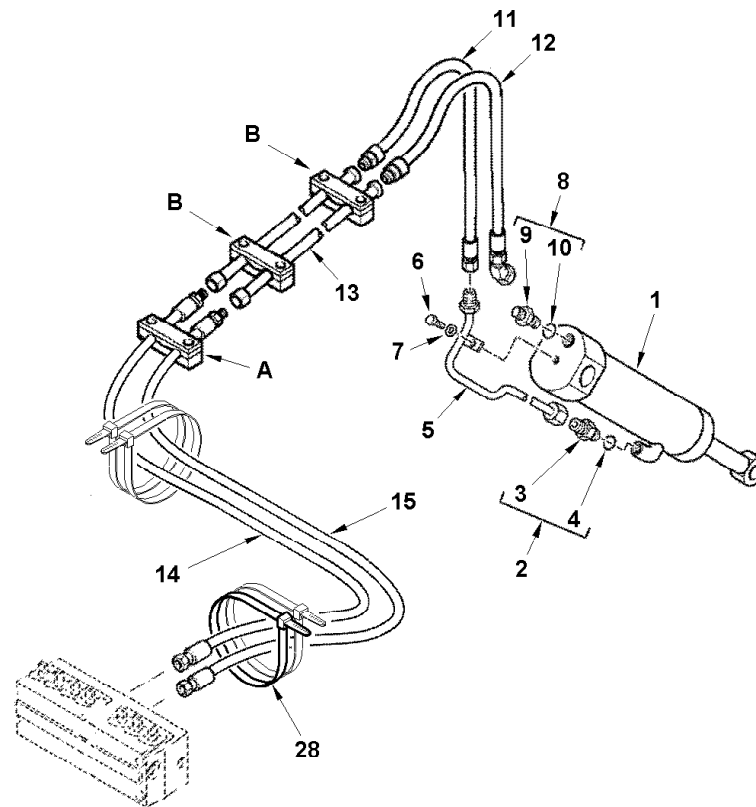
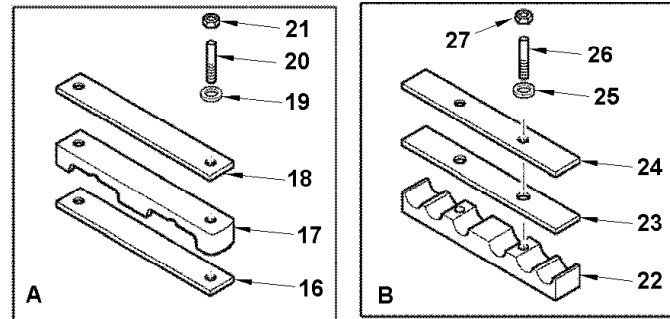
C-76047-07.1-A



Item	Part No.	Qty.	English	French	German	Spanish	Remarks
1	358728X91	1	Tee	Te	T-Stück	Te	
2	#TEE	1	Tee	Tee	Tee	Tee	Ref. 1
3	831497M1	1	O-Ring	Joint Torique	O-Ring	Junta De Tipo O	
4	6100716M91	1	Hose Slew Trsfr	Flexible Ass.	Schlauch Kplt	Flexible, Conj.	
5	6111175M92	1	Tube Assy Slew	Ensemble Tube	Rohr Kpl	Conj.De Tubo	RH Wipro
5	6100589M91	1	Tube Slew Trsf RH	Tuyauterie	Rohrleitung Kplt	Conjunto De Tubería	Pacoma
5	6100587M91	1	Tube Slew Trsf LH	Tuyauterie	Rohrleitung Kplt	Conjunto De Tubería	Pacoma
5	6111174M92	1	Tube Assy Slew	Ensemble Tube	Rohr Kpl	Conj. De Tubo	LH Wipro
6	#TUBE	1	Tube	Tube	Tube	Tube	Ref. 5
7	394923X1	1	O Ring	Joint Torique	O Ring	Junta De Tipo O	
8	357197X91	2	Elbow & O Ring	Coude	Kniestück, 90°	Codo, 90°	
9	#ELBOW	1	Elbow	Elbow	Elbow	Elbow	Ref. 8
10	831452M1	1	O Ring (Pack Of 10)	Joint Torique	O Ring	Junta De Tipo O	
11	6100716M91	1	Hose Slew Trsfr	Flexible Ass.	Schlauch Kplt	Flexible, Conj.	
12	358728X91	1	Tee	Te	T-Stück	Te	
13	#TEE	1	Tee	Tee	Tee	Tee	Ref. 12
14	831497M1	1	O-Ring	Joint Torique	O-Ring	Junta De Tipo O	
15	6100715M92	1	Hose-Digger-Green	Flexible Ass.	Schlauch Kplt	Flexible, Conj.	Purple
16	6101866M93	1	Hose-Digger-Green	Flexible Ass.	Schlauch Kplt	Flexible, Conj.	Green
17	3517114M2	2	P - Clip	Collier De Fixation	Befestigungsschelle	Argolla De Fijación	
18	385361X1	2	Washer M8 Hardened	Rondelle M8	Scheibe M8	Arandela	
19	339228X1	2	Bolt, Hex. - M8 X 12 (Coarse)	Boulon M8 X 12	Maschschraube M8	Tornillo	
20	1862425M1	1	Tie 385mm T50I	Attache Cable	Kabelbinder	Enlace De Cable	



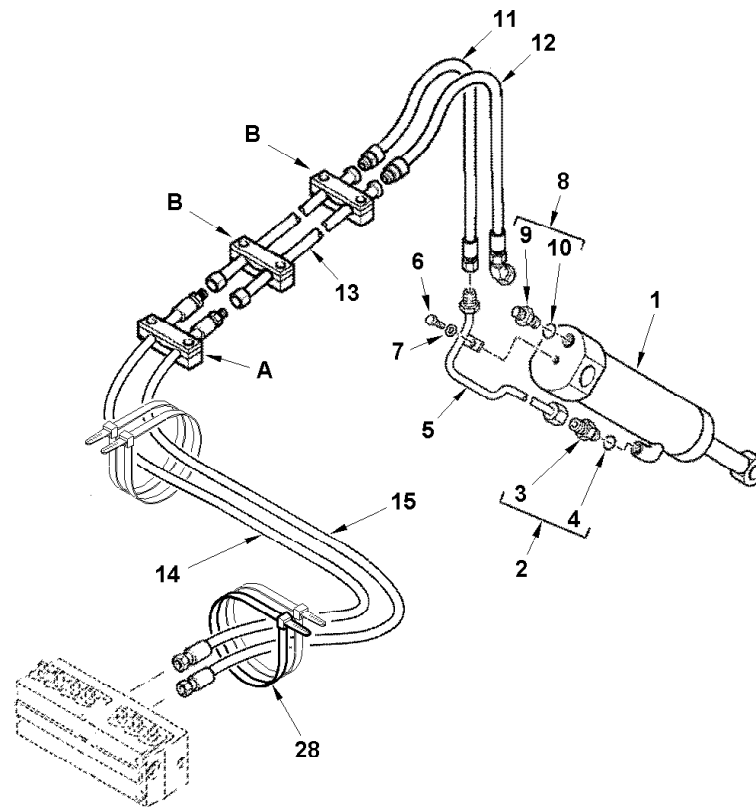
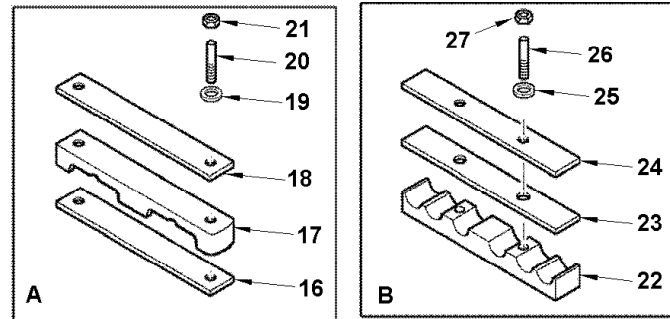
C-76048-01.1-B



Item	Part No.	Qty.	English	French	German	Spanish	Remarks
1	#CYLINDER ASSY	1	Cylinder Assy	Cylinder Assy	Cylinder Assy	Cylinder Assy	76048c02.1 1 76048c02.2 1
2	835013M91	1	Connector 7/8 Jic	Raccord	Schraubanschluss	Conexión, Conj.	
3	#UNION	1	Union	Union	Union	Union	Ref. 2
4	835024M1	1	Ring O - Boa	Joint Torique	O Ring	Junta De Tipo O	
5	6101540M91	1	Tube Assy Bucket	Tuyauterie	Rohrleitung Kplt	Conjunto De Tubería	Tba Pacoma
5	6111161M91	1	Tube Assembly - Digger Bucket Cylinder	Tuyauterie	Rohrleitung Kplt	Conjunto De Tubería	Tba Wipro
6	339123X1	1	Bolt M8-20 Z5f	Boulon M8 X 20	Maschschraube M8	Perno	
7	385361X1	1	Washer M8 Hardened	Rondelle M8	Scheibe M8	Arandela	
8	835013M91	1	Connector 7/8 Jic	Raccord	Schraubanschluss	Conexión, Conj.	
9	#UNION	1	Union	Union	Union	Union	Ref. 8
10	835024M1	1	Ring O - Boa	Joint Torique	O Ring	Junta De Tipo O	
11	6102309M91	1	Hose-Bucket Rod-Std	Flexible Ass.	Schlauch Kplt	Flexible, Conj.	Brown
12	6107024M91	1	Hose-Bucket HD Std	Flexible Ass.	Schlauch Kplt	Flexible, Conj.	White
13	6101431M91	2	Tube-4.9 Boom Bucket	Tuyauterie	Rohrleitung Kplt	Conjunto De Tubería	Ec05/328
13	6111139M91	2	Tube Assy - Bkt 4.9m Boom	Ensemble Tube	Rohr Kpl	Conjunto De Tubería	Ec05/328
14	6111143M91	1	Hose Assy - Bucket Rod (Brown C/Mount)	Ensemble Durit	Schlauch Kpl	Flexible, Conj.	Brown Ec05/328
14	6102945M91	1	Hose-Bucket Rod-Brown	Flexible Ass.	Schlauch Kplt	Flexible, Conj.	Brown Ec05/328
15	6111144M91	1	Hose Assy- Bucket HD (White Centre-mount)	Ensemble Durit	Schlauch Kpl	Flexible, Conj.	White Ec05/328
15	6102942M91	1	Hose-Bucket Head-White	Flexible Ass.	Schlauch Kplt	Flexible, Conj.	White Ec05/328
16	6102128M1	1	Pad-Neoprene	Plaque Antidérapante	Zwischenlage	Cinta Antideslizante	
17	6102122M1	1	Clamp	Collier De Serrage	Klemme	Brida De Fijación	
18	6102130M1	1	Plate-Clamp	Plaque	Platte	Placa	
19	390972X1	2	Washer M8-17-1 Zwl	Rondelle M8	Scheibe - M8	Arandela	
20	3516075M1	2	Stud M8-65 Z5	Goujon	Stehbolzen	Espárrago	
21	394367X1	2	Nut, Hex. - Nyloc, M8	Ecrou Blocage M8	Flachmutter - M8	Tuerca De Retención	
22	6102126M1	2	Clamp	Collier De Serrage	Klemme	Brida De Fijación	
23	6102145M1	2	Pad-Neoprene	Plaque Antidérapante	Zwischenlage	Cinta Antideslizante	
24	6102124M1	2	Plate-Top	Plaque	Platte	Placa	
25	390972X1	4	Washer M8-17-1 Zwl	Rondelle M8	Scheibe - M8	Arandela	
26	6108049M1	4	Stud M8	Goujon	Stehbolzen	Espárrago	



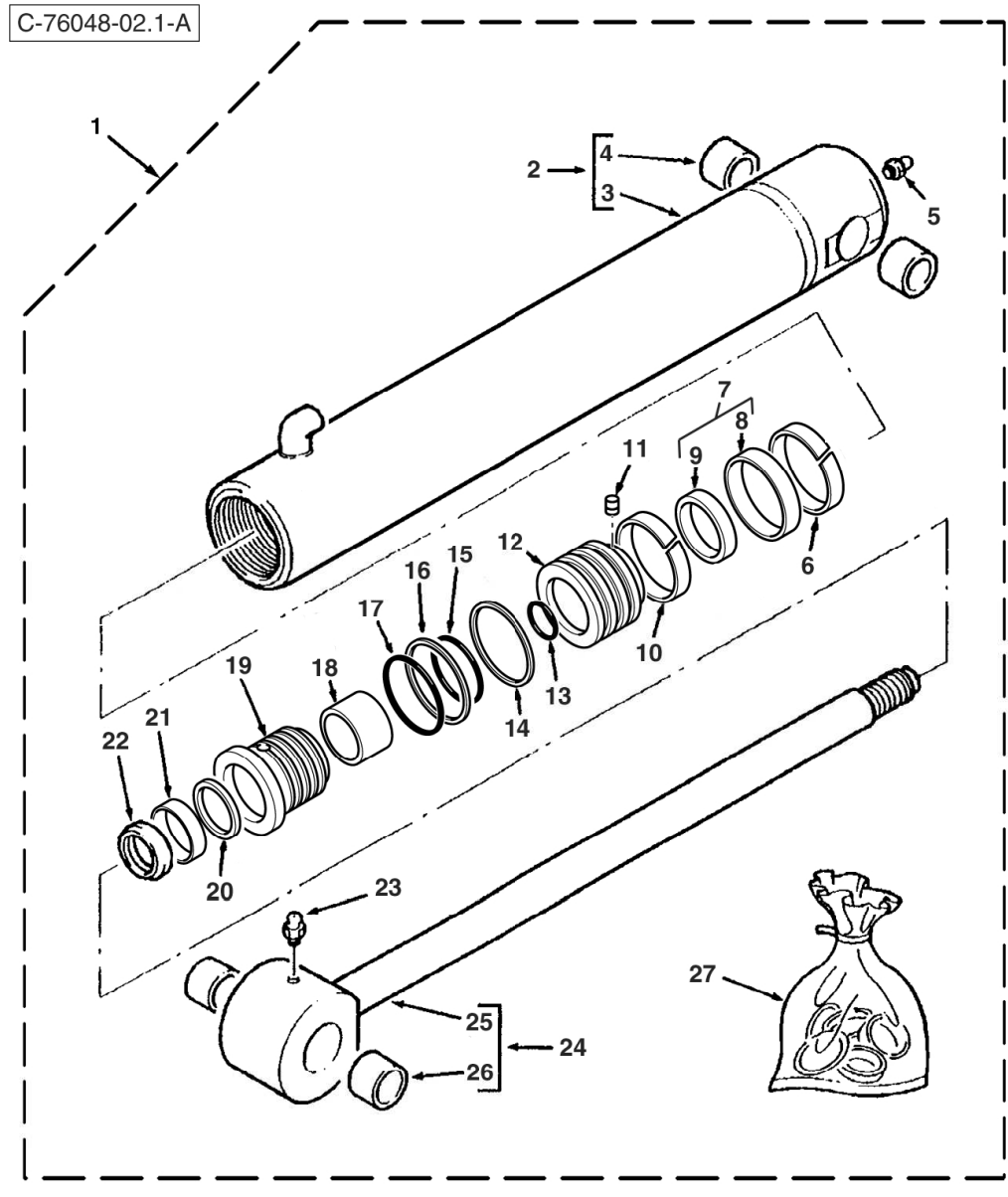
C-76048-01.1-B





<b>Item</b>	<b>Part No.</b>	<b>Qty.</b>	<b>English</b>	<b>French</b>	<b>German</b>	<b>Spanish</b>	<b>Remarks</b>
27	394367X1	4	Nut, Hex. - Nyloc, M8	Ecrou Blocage M8	Flachmutter - M8	Tuerca De Retención	
28	8000-1379	4	Tie Wrap ( 530 X 13mm )	Bride	Buegel	Banda	

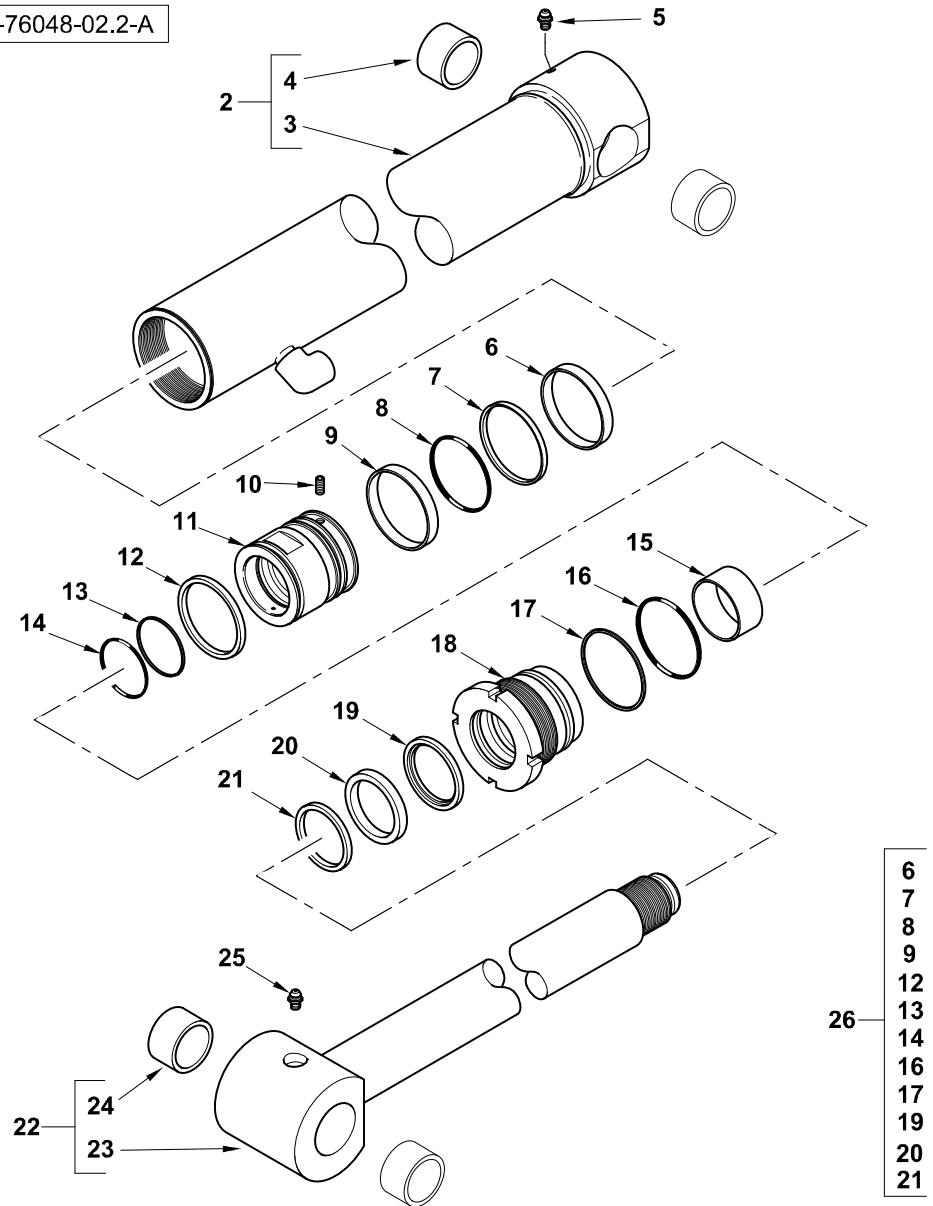




Item	Part No.	Qty.	English	French	German	Spanish	Remarks
1	5000126M91GY02	1	Cylinder Digger Bucket (Benford Grey)	L´Hie Hydraulique	Zylinder Hydr.	Gato, Conj.	Tba [76048c01.1 1]
2	5004008M91	1	Barrel Assy	Cylindre	Zylinder	Cilindro	
3	#TUBE, CYLINDER	1	Tube, Cylinder	Tube, Cylinder	Tube, Cylinder	Tube, Cylinder	Ref. 2
4	#BUSHING	1	Bushing	Douille	Busche	Boccola	
5	339608X1	1	Grease Nipple - M10 X 1 (Zinc)	Nipple De Graissage	Schmiernippel	Engrasador	
6	3485892M1	1	Guide Ring Piston	Bague D´Étanchéité	Dichtungsring	Anillo, Estanqueidad	
7	3485245M91	1	Seal Assy Piston	Joint Ass.	Dichtung Kplt	Junta, Conj.	
8	#SEAL	1	Seal	Joint Étanchéité	Dichtring	Retén	Ref. 7
9	#RING	1	Ring	Anneau	Ring	Aro	Ref. 7
10	3485892M1	1	Guide Ring Piston	Bague D´Étanchéité	Dichtungsring	Anillo, Estanqueidad	
11	3402928M1	1	Screw, Socket Head - Piston Locating	Vis Tête Hex	Zylinderschraube	Tornillo	
12	3623372M1	1	Piston	Piston	Kolben	Pistón	
13	359186X1	1	O-Ring	Joint Torique	O-Ring	Junta De Tipo O	
14	3623061M1	1	Ring Piston	Segment De Piston	Kolbenring	Segmento De Pistón	
15	359193X1	1	O-Ring	Joint Torique	O-Ring	Junta De Tipo O	
16	1606735M1	1	Ring Back-Up	Contre Bague	Stützring	ContraJunta	
17	3487207M1	1	O-Ring	Joint Torique	O-Ring	Junta De Tipo O	
18	3484615M1	1	Guide Ring	Anneau	Ring	Aro	
19	3623371M1	1	Gland - Bucket Cylinder	Presse Étoupe	Stopfbuchse	Cojinete	
20	3484055M1	1	Ring Buffer	Anneau	Ring	Aro	
21	3485185M1	1	Seal	Joint D´Arbre	Wellendichtring	Junta	
22	3487015M1	1	Wiper Ring	Anneau	Ring	Aro	
23	339608X1	1	Grease Nipple - M10 X 1 (Zinc)	Nipple De Graissage	Schmiernippel	Engrasador	
24	5004012M91	1	Piston Rod Assy - Nla	Tige De Vérin	Kolbenstange	Vástago Cilindro	
25	#ROD, PISTON	1	Rod, Piston	Rod, Piston	Rod, Piston	Rod, Piston	Ref. 24
26	#BUSHING	1	Bushing	Douille	Busche	Boccola	
27	3623373M91	1	Kit Seal	Jeu Etancheite	Dichtringsatz	Juego De Juntas	

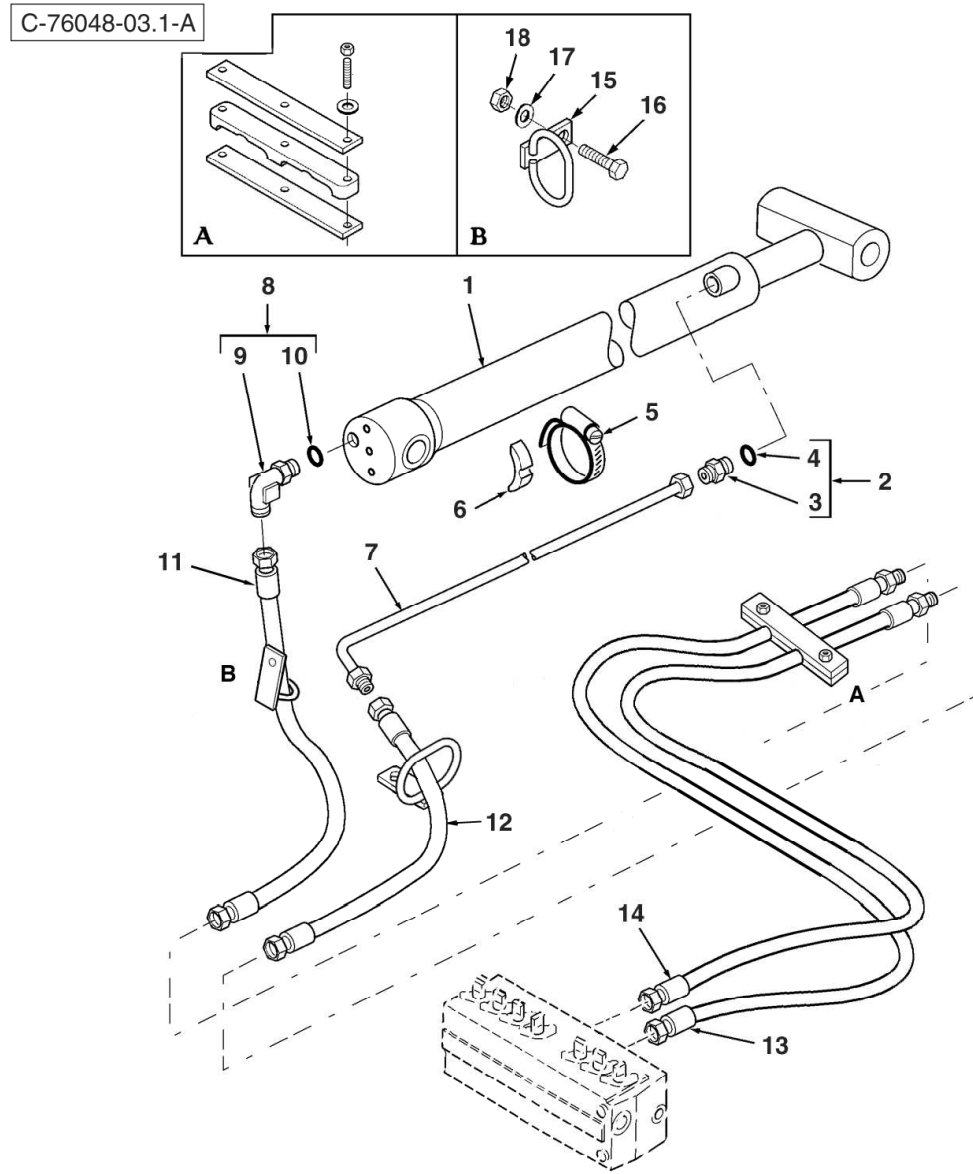


C-76048-02.2-A



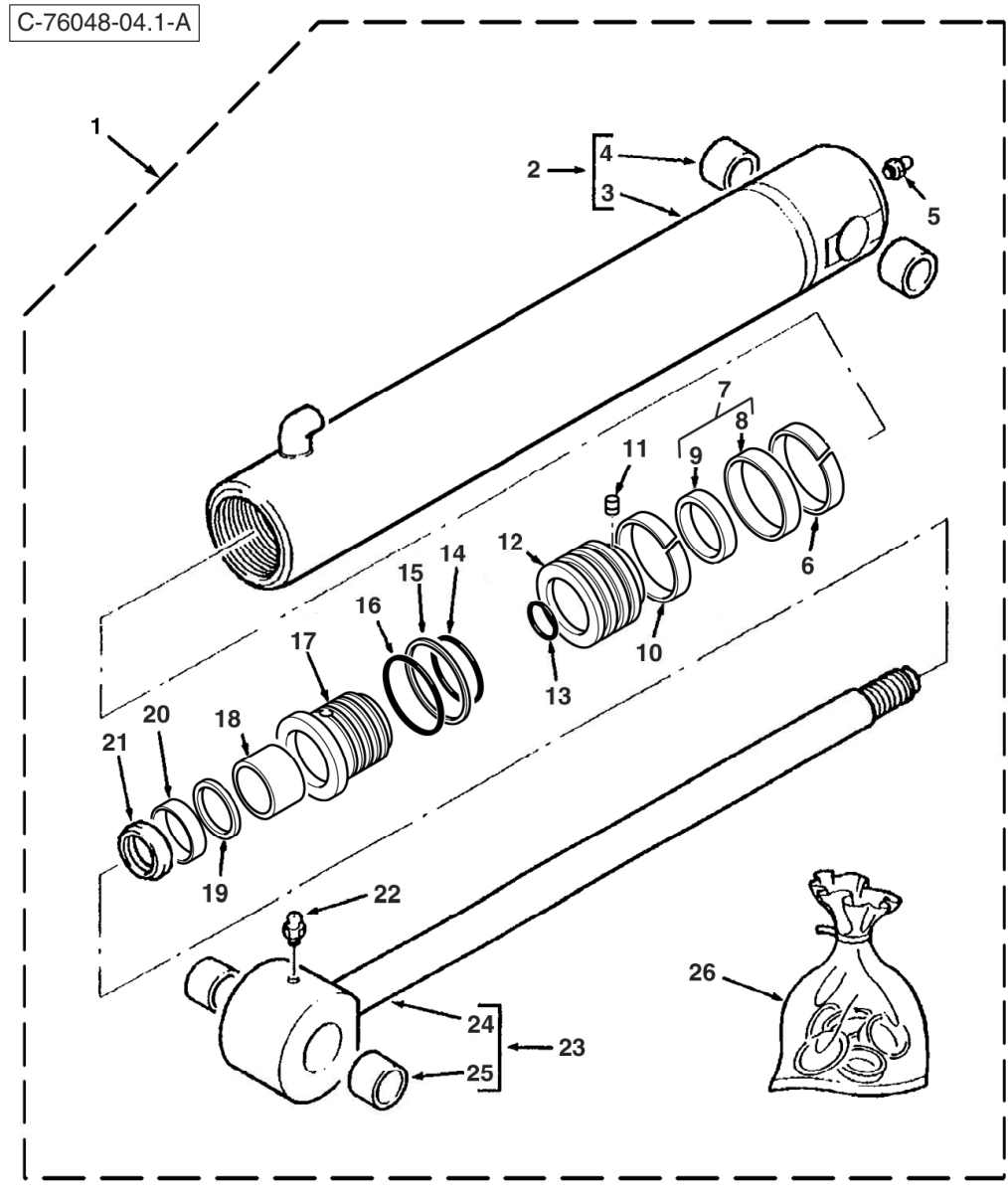
Item	Part No.	Qty.	English	French	German	Spanish	Remarks
1	6111070M91GY03	1	Cylinder- Digger Bucket	Cylindre	Zylinder	Gato, Conj.	Tba [76048c01.1 1]
2	6194629M91	1	Barrel - Cylinder	Corps Cylindre	Zylindergehäuse	Tubo	
3	#TUBE	1	Tube	Tube	Tube	Tube	Ref. 2
4	6194562M1	2	Bush	Douille	Büchse	Casquillo	
5	6194542M1	1	Nipple - Grease	Graisseur Coude	Nippel	Manguito, Engrasador	
6	6194634M1	1	Bearing - Piston	Coussinet	Lager	Teniendo - Pistón	
7	6194635M1	1	Seal - Piston	Joint Étanchéité	Dichtring	Junta	
8	6194636M1	1	O Ring (Std)	Joint Torique	O Ring	Junta De Tipo O	
9	6194634M1	1	Bearing - Piston	Coussinet	Lager	Teniendo - Pistón	
10	6194633M1	1	Set Screw - Hex Socket	Vis Tete Hex	Zylinderschraube	Tornillo De Ajuste	
11	6194631M1	1	Piston	Piston	Kolben	Pistón	
12	6194637M1	1	Ring - Piston	Segment Piston	Kolbenring	Segmento De Pistón	
13	6194625M1	1	Ring - Back Up	Contre Bague	Stutzring	ContraJunta	
14	6194624M1	1	O Ring (Std)	Joint Torique	O Ring	Junta De Tipo O	
15	6194541M1	1	Bush - Bimetal	Douille	Büchse	Juego De Anillos	
16	6194640M1	1	O Ring (Std)	Joint Torique	O Ring	Junta De Tipo O	
17	6194641M1	1	Ring - Back Up	Contre Bague	Stutzring	ContraJunta	
18	6194632M1	1	End Cover - Head	Couvercle	Deckel	Tapa	
19	6194638M1	1	Seal - Rod (Primary)	Joint Étanchéité	Dichtring	Junta	
20	6194639M1	1	Seal- Rod (Secondary)	Joint Étanchéité	Dichtring	Junta	
21	6194554M1	1	Wiper	Essuyeur	Wischer	Raspador, Escobilla	
22	6194630M91	1	Rod - Piston	Bielle De Piston	Pleuelstange	Rod - Pistón	
23	#ROD	1	Rod	Rod	Rod	Rod	Ref. 22
24	6194562M1	2	Bush	Douille	Büchse	Casquillo	
25	6194542M1	1	Nipple - Grease	Graisseur Coude	Nippel	Manguito, Engrasador	
26	6194642M91	0	Seal Kit	Jeu Etancheite	Dichtringsatz	Juego De Juntas	





Item	Part No.	Qty.	English	French	German	Spanish	Remarks
1	#CYLINDER ASSY	1	Cylinder Assy	Cylinder Assy	Cylinder Assy	Cylinder Assy	76048c04.1 1 76048c04.2 1
2	835013M91	1	Connector 7/8 Jic	Raccord	Schraubanschluss	Conexión, Conj.	
3	#UNION	1	Union	Union	Union	Union	Ref. 2
4	835024M1	1	Ring O - Boa	Joint Torique	O Ring	Junta De Tipo O	
5	3517733M1	1	Clamp Hose 130-150	Collier De Serrage	Schlauchbinder	Argolla De Cierre	
6	D142787	1	Saddle (See 142787d)	Selle	Sattel	Bloque De Caucho	
7	#TUBE ASSY	1	Tube Assy	Tube Assy	Tube Assy	Tube Assy	
8	#ELBOW	1	Elbow	Elbow	Elbow	Elbow	
9	#ELBOW	1	Elbow	Elbow	Elbow	Elbow	Ref. 8
10	#O-RING	1	O-Ring	Joint Torique	O-Ring	Junta Tórica	
11	6101738M91	1	Hose-Dipper Head	Flexible Ass.	Schlauch Kplt	Flexible, Conj.	Yellow
12	6101737M91	1	Hose-Dipper Rod	Flexible Ass.	Schlauch Kplt	Flexible, Conj.	Red
13	6102941M91	1	Hose-Dipper Head-Yellow	Flexible Ass.	Schlauch Kplt	Flexible, Conj.	Yellow
14	6102944M91	1	Hose-Dipper Rod	Flexible Ass.	Schlauch Kplt	Flexible, Conj.	Red
15	6101491M92	2	Hose Hoop Assy	Ensemble De Support	Haltevorrichtung Kpl.	Apoyadero, Conj.	
16	339761X1	2	Bolt M8-25 Z5f	Goupille	Bolzen M8 X 25	Tornillo	
17	390972X1	2	Washer M8-17-1 Zwl	Rondelle M8	Scheibe - M8	Arandela	
18	394367X1	2	Nut, Hex. - Nyloc, M8	Ecrou Blocage M8	Flachmutter - M8	Tuerca De Retención	



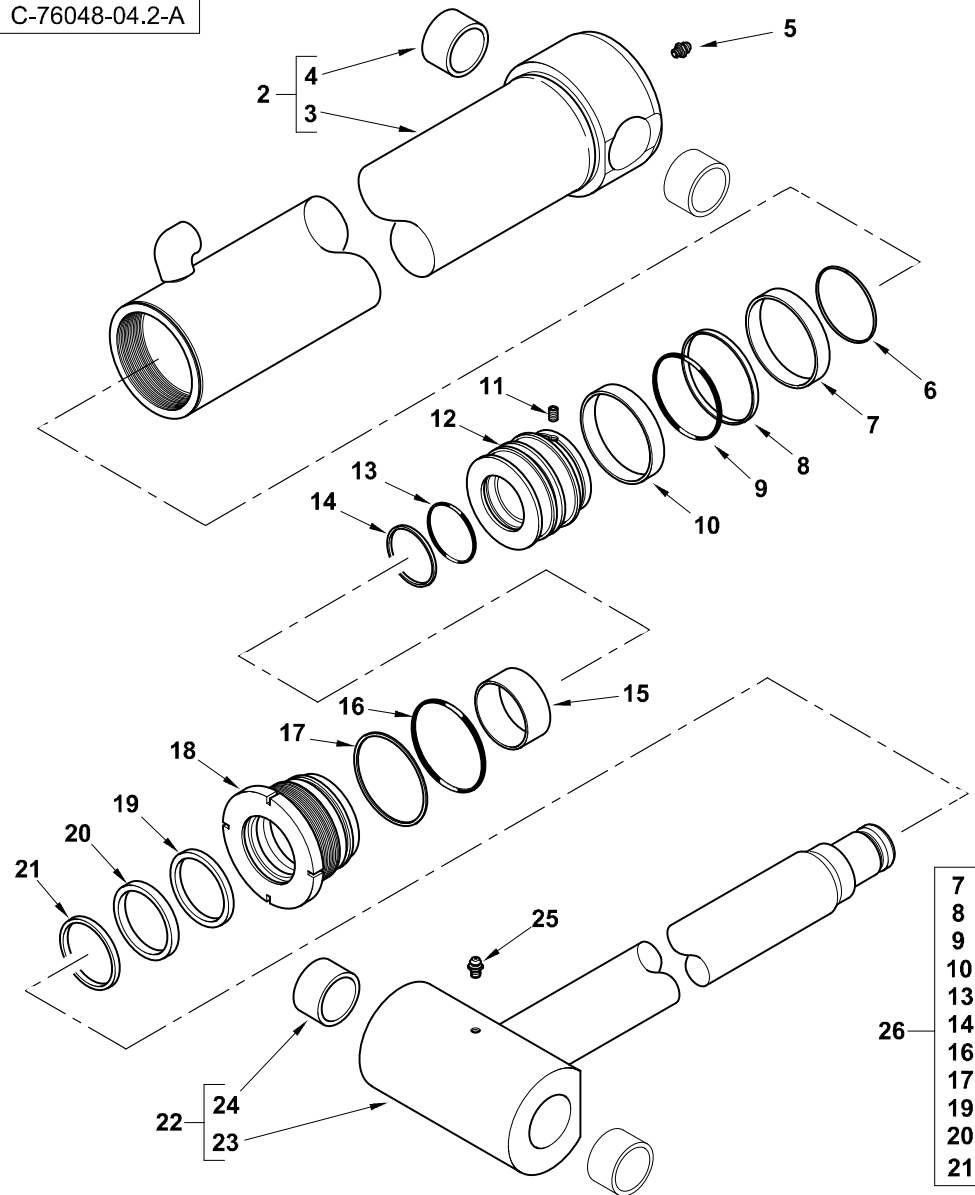




Item	Part No.	Qty.	English	French	German	Spanish	Remarks
1	5000124M91GY02	1	Cylinder Dipperstick (Benford Grey)	L´Hie Hydraulique	Zylinder Hydr.	Gato, Conj.	Tba [76048c03.1 1]
2	5003982M91	1	Barrel Assy. - Dipper Cylinder	Corps Cylindre	Zylindergehäuse	Cilindro	
3	#TUBE, CYLINDER	1	Tube, Cylinder	Tube, Cylindre	Tube, Cylinder	Tube, Cylinder	Ref. 2
4	3484843M1	1	Bush, Hydr. Cylinders	Douille	Buechse	Casquillo	
5	339608X1	1	Grease Nipple - M10 X 1 (Zinc)	Nipple De Graissage	Schmiernippel	Engrasador	
6	3485891M1	1	Guide Ring Piston	Anneau	Ring	Aro	
7	3485247M91	1	Seal Piston	Joint	Dichtung	Junta, Conj.	
8	#SEAL	1	Seal	Joint Étanchéité	Dichtring	Retén	Ref. 7
9	#RING	1	Ring	Anneau	Ring	Aro	Ref. 7
10	3485891M1	1	Guide Ring Piston	Anneau	Ring	Aro	
11	3402928M1	1	Screw, Socket Head - Piston Locating	Vis Tête Hex	Zylinderschraube	Tornillo	
12	5003989M1	1	Piston	Piston	Kolben	Pistón	
13	3007182X1	1	O-Ring	Joint Torique	O-Ring	Junta De Tipo O	
14	359196X1	1	O Ring	Joint Torique	O Ring	Junta De Tipo O	
15	378545X1	1	Ring - Backup	Contre Bague	Stutzring	Aro	
16	3487908M1	1	O Ring, Hydr. Cylinder	Joint Torique	O Ring	Junta De Tipo O	
17	5003988M1	1	Bearing Cylinder	Roulement	Lager	Cojinete	
18	3623193M1	1	Guide Ring	Anneau	Ring	Aro	
19	3443388M1	1	Ring - Back Up	Anneau	Ring	Aro	
20	3443472M1	1	Seal	Joint D´Arbre	Wellendichtring	Junta	
21	3403385M1	1	Wiper Ring	Joint De Racleur	Abstreifdichtung	Junta Raspador	
22	339608X1	1	Grease Nipple - M10 X 1 (Zinc)	Nipple De Graissage	Schmiernippel	Engrasador	
23	5003985M91	1	Piston Rod Assy	Tige De Vérin	Kolbenstange	Vástago Cilindro	
24	#ROD, PISTON	1	Rod, Piston	Rod, Piston	Rod, Piston	Rod, Piston	Ref. 23
25	3484843M1	1	Bush, Hydr. Cylinders	Douille	Buechse	Casquillo	
26	5004401M91	1	Kit Seal	Jeu Étanchéité	Dichtringsatz	Juego De Juntas	



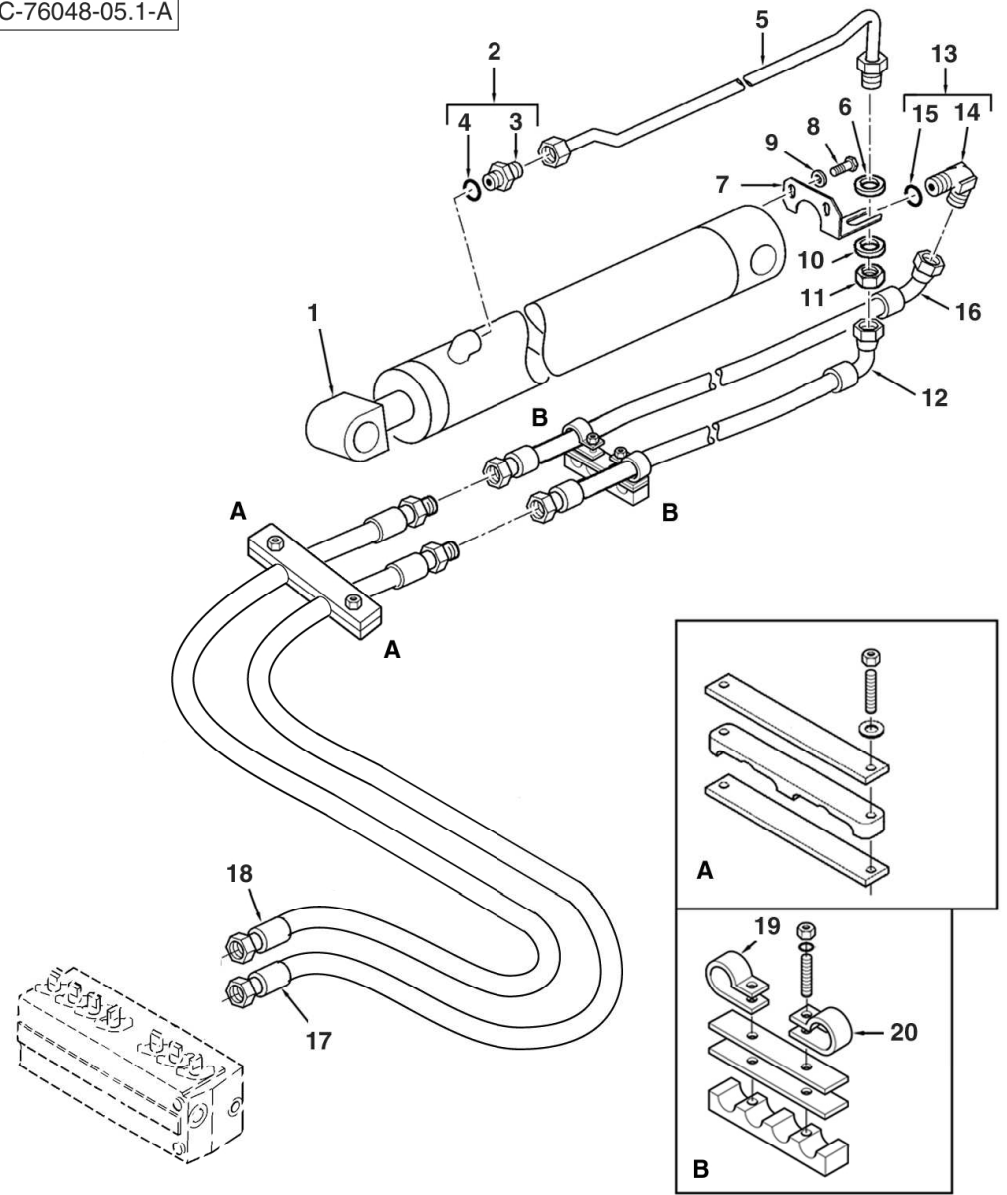
C-76048-04.2-A



Item	Part No.	Qty.	English	French	German	Spanish	Remarks
1	6111069M91GY03	1	Cylinder - Dipperstick	Cylindre	Zylinder	Gato, Conj.	Tba [76048c03.1 1]
2	6194615M91	1	Barrel - Cylinder	Corps Cylindre	Zylindergehäuse	Conjunto De Tubería	
3	#TUBE	1	Tube	Tube	Tube	Tube	Ref. 2
4	6194562M1	2	Bush	Douille	Büchse	Casquillo	
5	6194542M1	1	Nipple - Grease	Graisseur Coude	Nippel	Manguito, Engrasador	
6	6194620M1	1	Ring - Snap	Fermeoir	Sprengring	Anillo De Resorte	
7	6194621M1	1	Bearing - Piston	Coussinet	Lager	Teniendo - Pistón	
8	6194622M1	1	Seal - Piston	Joint Étanchéité	Dichtring	Junta	
9	6194623M1	1	O Ring (Std)	Joint Torique	O Ring	Junta De Tipo O	
10	6194621M1	1	Bearing - Piston	Coussinet	Lager	Teniendo - Pistón	
11	6194619M1	1	Set Screw	Vis	Schraube	Tornillo De Ajuste	
12	6194617M1	1	Piston	Piston	Kolben	Pistón	
13	6194624M1	1	O Ring (Std)	Joint Torique	O Ring	Junta De Tipo O	
14	6194625M1	1	Ring - Back Up	Contre Bague	Stutzring	ContraJunta	
15	6194565M1	1	Bush - Bimetal	Douille	Büchse	Juego De Anillos	
16	6194626M1	1	O Ring (Std)	Joint Torique	O Ring	Junta De Tipo O	
17	6194627M1	1	Ring - Back Up	Contre Bague	Stutzring	ContraJunta	
18	6194618M1	1	End Cover - Head	Couvercle	Deckel	Tapa	
19	6194575M1	1	Seal - Rod (Primary)	Joint Étanchéité	Dichtring	Junta	
20	6194576M1	1	Seal- Rod (Secondary)	Joint Étanchéité	Dichtring	Junta	
21	6194573M1	1	Wiper	Essuyeur	Wischer	Raspador, Escobilla	
22	6194616M91	1	Rod - Piston	Bielle De Piston	Pleuelstange	Rod - Pistón	
23	#ROD	1	Rod	Rod	Rod	Rod	Ref. 22
24	6194562M1	2	Bush	Douille	Büchse	Casquillo	
25	6194542M1	1	Nipple - Grease	Graisseur Coude	Nippel	Manguito, Engrasador	
26	6194628M91	0	Seal Kit	Jeu Etancheite	Dichtringsatz	Juego De Juntas	

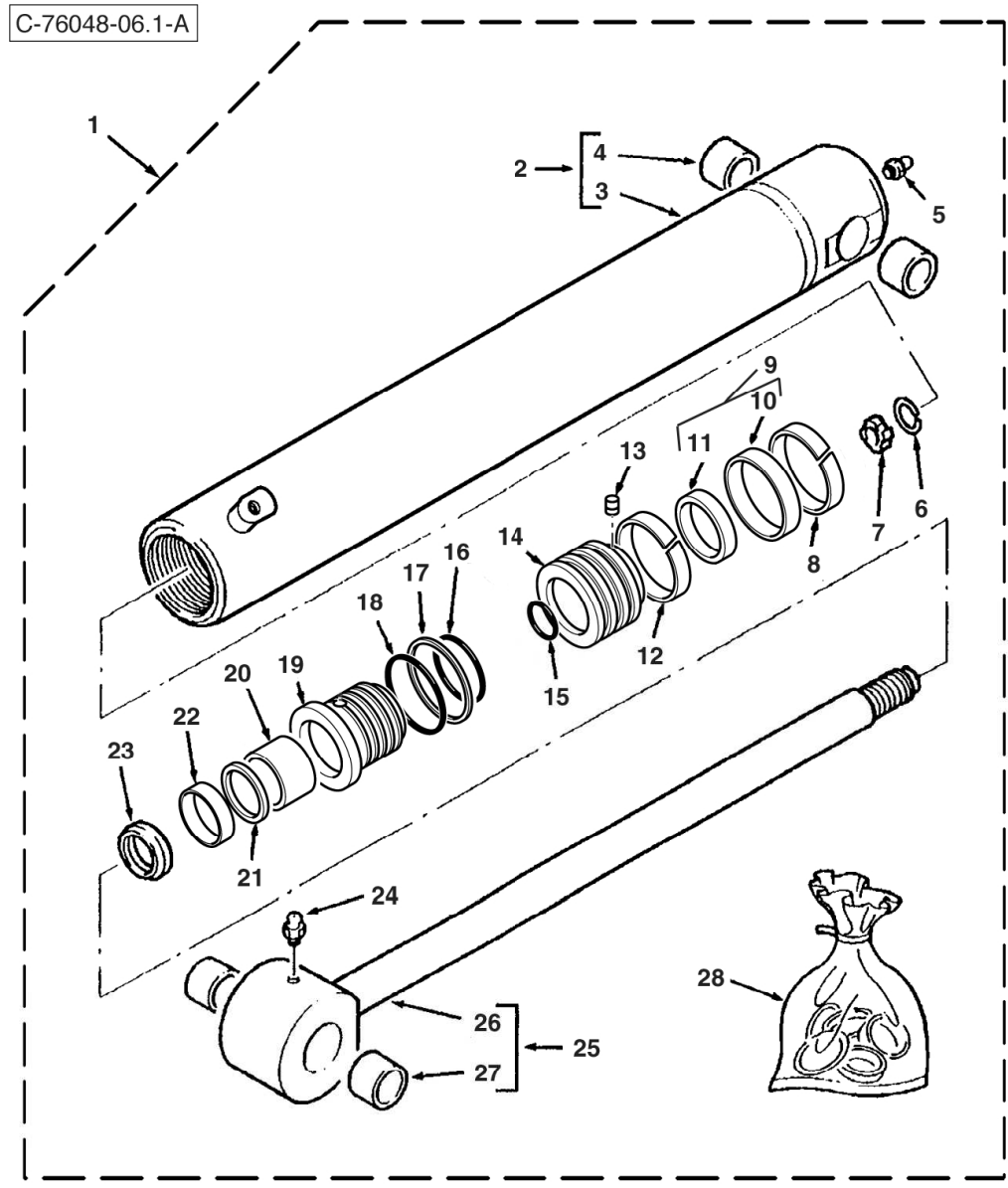


C-76048-05.1-A



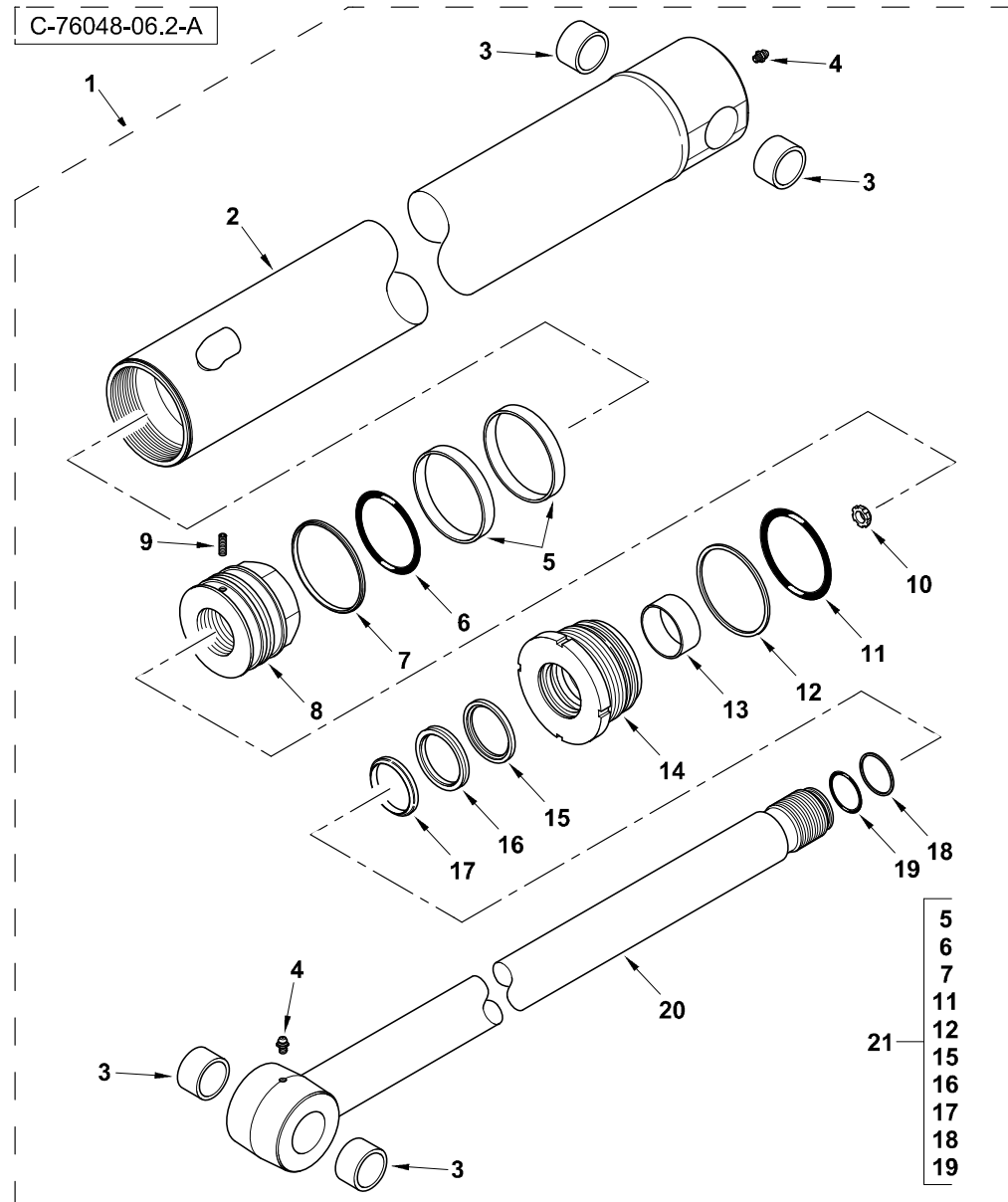
Item	Part No.	Qty.	English	French	German	Spanish	Remarks
1	5000123M91	1	Cylinder 4.9m Boom - High Spec.	L'Hie Hydraulique	Zylinder Hydr.	Gato, Conj.	Pacoma
1	6111079M91GY03	1	Cylinder Boom 4.9	Cylinder Boom 4.9	Cylinder Boom 4.9	Cylinder Boom 4.9	Wipro
2	835013M91	1	Connector 7/8 Jic	Raccord	Schraubanschluss	Conexión, Conj.	
3	#UNION	1	Union	Union	Union	Union	Ref. 2
4	835024M1	1	Ring O - Boa	Joint Torique	O Ring	Junta De Tipo O	
5	6111163M91	1	Tube Assy Boom Cylinder 4.9 Hb	Tuyauterie	Rohrleitung Kpl.	Conjunto De Tubería	Wipro
5	6102472M91	1	Tube-4.9 Boom Cyl Hose Burst	Tuyo	Leitung, Kpl.	Conjunto De Tubería	Pacoma
6	#WASHER	1	Washer	Rondelle	Unterlegscheibe	Arandela	
7	#BRACKET	1	Bracket	Bracket	Bracket	Bracket	
8	339228X1	2	Bolt, Hex. - M8 X 12 (Coarse)	Boulon M8 X 12	Maschschraube M8	Tornillo	
9	339374X1	2	Washer M8 -21-2 Z	Rondelle Frein - M8	Federring - M8	Arandela De Freno	
10	#WASHER	1	Washer	Rondelle	Unterlegscheibe	Arandela	
11	#NUT	1	Nut	Ecrou	Mutter	Tuerca	
12	#HOSE ASSY	1	Hose Assy	Hose Assy	Hose Assy	Hose Assy	Orange
13	#ELBOW	1	Elbow	Elbow	Elbow	Elbow	
14	#ELBOW	1	Elbow	Elbow	Elbow	Elbow	Ref. 13
15	#O-RING	1	O-Ring	Joint Torique	O-Ring	Junta Tórica	
16	6101736M92	1	Hose, "Blue" - Boom Cylinder Feed	Flexible	Schlauch	Flexible, Conj.	Blue
17	6102943M91	1	Hose-Boom Rod-Orange	Flexible Ass.	Schlauch Kplt	Flexible, Conj.	Orange
18	6102940M91	1	Hose-Boom Head-Blue	Flexible Ass.	Schlauch Kplt	Flexible, Conj.	Blue
19	515-23270	1	Clip-Coated P	Clip	Klips	Clip	
20	515-23206	1	P Clip Bsr081hs	Bride Pour Tutaux	Schlauchschelle	Abrazadera De Manguera	





Item	Part No.	Qty.	English	French	German	Spanish	Remarks
1	5000123M91	1	Cylinder 4.9m Boom - High Spec.	L´Hie Hydraulique	Zylinder Hydr.	Gato, Conj.	76048c05.1 1
2	5003993M91	1	Barrel Assy	Cylindre	Zylinder	Cilindro	
3	#TUBE, CYLINDER	1	Tube, Cylinder	Tube, Cylinder	Tube, Cylinder	Tube, Cylinder	Ref. 2
4	#BUSHING	2	Bushing	Douille	Busche	Boccola	
5	339608X1	1	Grease Nipple - M10 X 1 (Zinc)	Nipple De Graissage	Schmiernippel	Engrasador	
6	1609899M1	1	Snap Ring	Anneau D´Arrêt	Sprengring	Anillo De Resorte	
7	1609328M1	1	Ring Cushioning	Anneau	Ring	Aro	
8	3403852M1	1	Ring, Guide - Piston	Anneau	Ring	Aro	
9	3485213M91	1	Seal Piston	Joint	Dichtung	Junta, Conj.	
10	#SEAL	1	Seal	Joint Étanchéité	Dichtring	Retén	Ref. 9
11	#SEAL	1	Seal	Joint Étanchéité	Dichtring	Retén	Ref. 9
12	3403852M1	1	Ring, Guide - Piston	Anneau	Ring	Aro	
13	3402928M1	1	Screw, Socket Head - Piston Locating	Vis Tête Hex	Zylinderschraube	Tornillo	
14	3484189M1	1	Piston	Piston	Kolben	Pistón	
15	3007182X1	1	O-Ring	Joint Torique	O-Ring	Junta De Tipo O	
16	359203X1	1	O-Ring	Joint Torique	O-Ring	Junta De Tipo O	
17	367120X1	1	Back-Up Ring	Contre Bague	Stützring	Aro	
18	3487909M1	1	O-Ring	Joint Torique	O-Ring	Junta De Tipo O	
19	3623202M1	1	Bearing	Roulement	Lager	Cojinete	
20	3623193M1	1	Guide Ring	Anneau	Ring	Aro	
21	3443388M1	1	Ring - Back Up	Anneau	Ring	Aro	
22	3443472M1	1	Seal	Joint D´Arbre	Wellendichtring	Junta	
23	3403385M1	1	Wiper Ring	Joint De Racleur	Abstreifdichtung	Junta Raspador	
24	339608X1	1	Grease Nipple - M10 X 1 (Zinc)	Nipple De Graissage	Schmiernippel	Engrasador	
25	3441722M91	1	Piston Rod Assy	Tige De Vérin	Kolbenstange	Vástago Cilindro	
26	#ROD, PISTON	1	Rod, Piston	Rod, Piston	Rod, Piston	Rod, Piston	Ref. 25
27	3484843M1	1	Bush, Hydr. Cylinders	Douille	Buechse	Casquillo	
28	3623589M91	1	Kit, Seal - Hydraulic Cylinder	Jeu Etancheite	Dichtringsatz	Juego De Juntas	



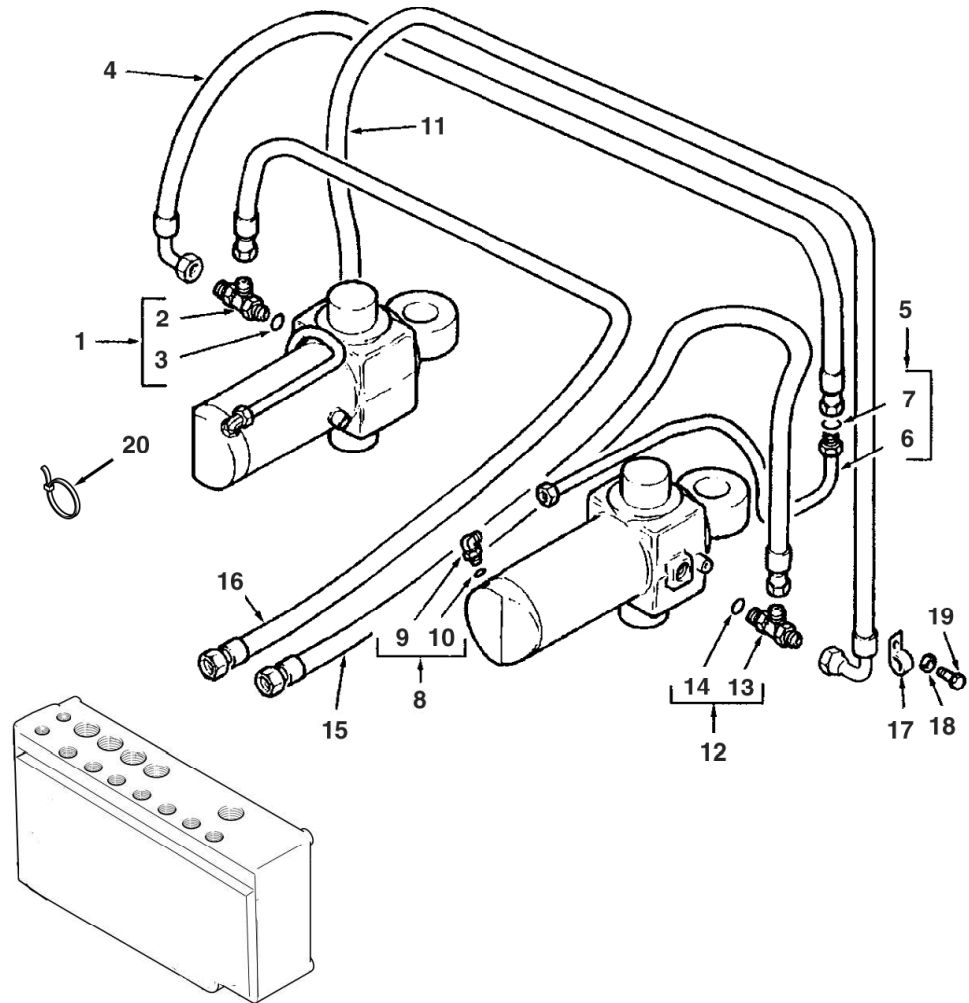




Item	Part No.	Qty.	English	French	German	Spanish	Remarks
1	6111079M91GY03	1	Cylinder Boom 4.9	Cylinder Boom 4.9	Cylinder Boom 4.9	Cylinder Boom 4.9	
2	6195264M91GY03	1	Tube - S/A (Terex Grey)	Tube - S/A (Terex Grey)	Tube - S/A (Terex Grey)	Tube - S/A (Terex Grey)	
3	6195253M1	4	Bush	Douille	Buchse	Casquillo	
4	6194542M1	2	Nipple - Grease	Graisseur Coude	Nippel	Manguito, Engrasador	
5	6195259M1	2	Bearing - Piston	Bearing - Piston	Bearing - Piston	Bearing - Piston	
6	6195258M1	1	O - Ring	O - Ring	O - Ring	O - Ring	
7	6195257M1	1	Seal - Piston	Seal - Piston	Seal - Piston	Seal - Piston	
8	6195251M1	1	Piston	Piston	Piston	Piston	
9	6195236M1	1	Set Screw - Hex Socket	Set Screw - Hex Socket	Set Screw - Hex Socket	Set Screw - Hex Socket	
10	6195235M1	1	Ring - Cushion	Ring - Cushion	Ring - Cushion	Ring - Cushion	
11	6195260M1	1	O - Ring	O - Ring	O - Ring	O - Ring	
12	6195261M1	1	Ring - Back Up	Ring - Back Up	Ring - Back Up	Ring - Back Up	
13	6195256M1	1	Bush - Bimetal	Bush - Bimetal	Bush - Bimetal	Bush - Bimetal	
14	6195252M1	1	Cover - H.E.	Cover - H.E.	Cover - H.E.	Cover - H.E.	
15	6194575M1	1	Seal - Rod (Primary)	Joint Étanchéité	Dichtring	Junta	
16	6195262M1	1	Seal - Rod (Secondary)	Seal - Rod (Secondary)	Seal - Rod (Secondary)	Seal - Rod (Secondary)	
17	6194573M1	1	Wiper	Essuyeur	Wischer	Raspador, Escobilla	
18	6194570M1	1	Ring - Back Up	Contre Bague	Stutzring	Contra junta	
19	6195247M1	1	O - Ring	O - Ring	O - Ring	O - Ring	
20	6195265M91	1	Piston Rod - S/A	Piston Rod - S/A	Piston Rod - S/A	Piston Rod - S/A	
21	6195263M91	1	Seal Kit	Jeu Etancheite	Dichtringsatz	Juego Retenes	



C-76048-07.1-A



Item	Part No.	Qty.	English	French	German	Spanish	Remarks
1	358728X91	1	Tee	Te	T-Stück	Te	
2	#TEE	1	Tee	Tee	Tee	Tee	Ref. 1
3	831497M1	1	O-Ring	Joint Torique	O-Ring	Junta De Tipo O	
4	6100716M91	1	Hose Slew Trsfr	Flexible Ass.	Schlauch Kplt	Flexible, Conj.	
5	6111175M92	1	Tube Assy Slew	Ensemble Tube	Rohr Kpl	Conj.De Tubo	RH Wipro
5	6111174M92	1	Tube Assy Slew	Ensemble Tube	Rohr Kpl	Conj. De Tubo	LH Wipro
5	6100587M91	1	Tube Slew Trsf LH	Tuyauterie	Rohrleitung Kplt	Conjunto De Tubería	Pacoma
5	6100589M91	1	Tube Slew Trsf RH	Tuyauterie	Rohrleitung Kplt	Conjunto De Tubería	Pacoma
6	#TUBE	1	Tube	Tube	Tube	Tube	Ref. 5
7	394923X1	1	O Ring	Joint Torique	O Ring	Junta De Tipo O	
8	357197X91	2	Elbow & O Ring	Coude	Kniestück, 90°	Codo, 90°	
9	#ELBOW	1	Elbow	Elbow	Elbow	Elbow	Ref. 8
10	831452M1	1	O Ring (Pack Of 10)	Joint Torique	O Ring	Junta De Tipo O	
11	6100716M91	1	Hose Slew Trsfr	Flexible Ass.	Schlauch Kplt	Flexible, Conj.	
12	358728X91	1	Tee	Te	T-Stück	Te	
13	#TEE	1	Tee	Tee	Tee	Tee	Ref. 12
14	831497M1	1	O-Ring	Joint Torique	O-Ring	Junta De Tipo O	
15	6100715M92	1	Hose-Digger-Green	Flexible Ass.	Schlauch Kplt	Flexible, Conj.	Purple
16	6101866M93	1	Hose-Digger-Green	Flexible Ass.	Schlauch Kplt	Flexible, Conj.	Green
17	3517114M2	2	P - Clip	Collier De Fixation	Befestigungsschelle	Argolla De Fijación	
18	385361X1	2	Washer M8 Hardened	Rondelle M8	Scheibe M8	Arandela	
19	339228X1	2	Bolt, Hex. - M8 X 12 (Coarse)	Boulon M8 X 12	Maschschraube M8	Tornillo	
20	1862425M1	1	Tie 385mm T50I	Attache Cable	Kabelbinder	Enlace De Cable	

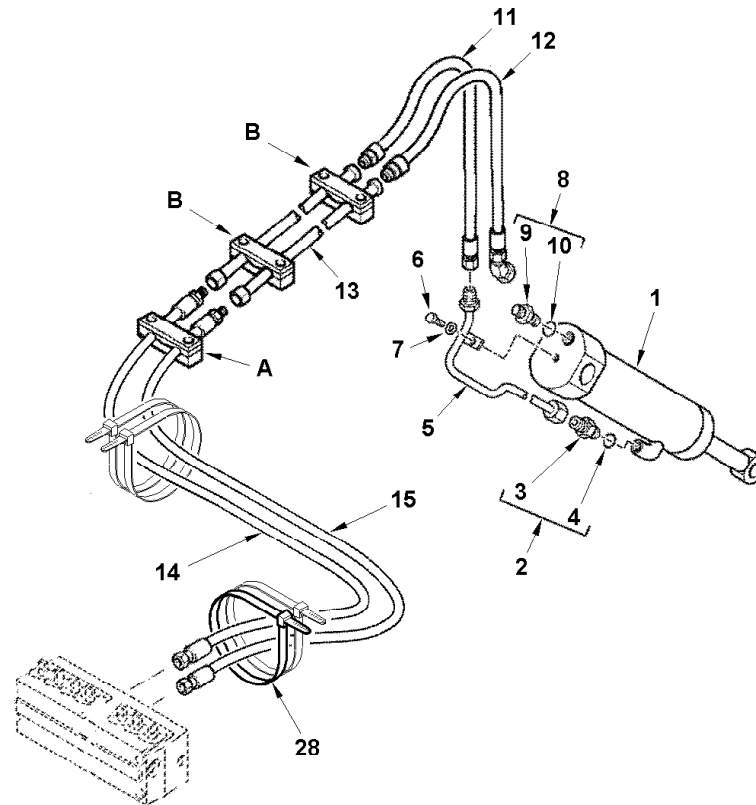
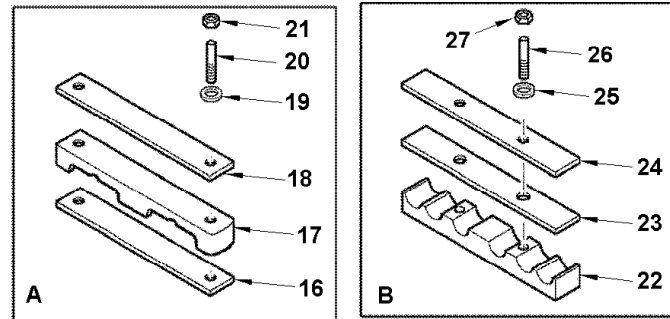




Item	Part No.	Qty.	English	French	German	Spanish	Remarks
1	#CYLINDER ASSY	1	Cylinder Assy	Cylinder Assy	Cylinder Assy	Cylinder Assy	76049c02.1 1 76049c02.2 1
2	835013M91	1	Connector 7/8 Jic	Raccord	Schraubanschluss	Conexión, Conj.	
3	#UNION	1	Union	Union	Union	Union	Ref. 2
4	835024M1	1	Ring O - Boa	Joint Torique	O Ring	Junta De Tipo O	
5	6101540M91	1	Tube Assy Bucket	Tuyauterie	Rohrleitung Kplt	Conjunto De Tubería	Tba Pacoma
5	6111161M91	1	Tube Assembly - Digger Bucket Cylinder	Tuyauterie	Rohrleitung Kplt	Conjunto De Tubería	Tba Wipro
6	339123X1	1	Bolt M8-20 Z5f	Boulon M8 X 20	Maschschraube M8	Perno	
7	385361X1	1	Washer M8 Hardened	Rondelle M8	Scheibe M8	Arandela	
8	835010M91	1	Elbow 45 Adj 7/8unf	Coude 135°	Winkelstück	Codo, 45°	
9	#ELBOW	1	Elbow	Elbow	Elbow	Elbow	Ref. 8
10	835024M1	1	Ring O - Boa	Joint Torique	O Ring	Junta De Tipo O	
11	#HOSE ASSY	1	Hose Assy	Hose Assy	Hose Assy	Hose Assy	Brown
12	#HOSE ASSY	1	Hose Assy	Hose Assy	Hose Assy	Hose Assy	White
13	6101431M91	2	Tube-4.9 Boom Bucket	Tuyauterie	Rohrleitung Kplt	Conjunto De Tubería	Ec05/328
13	6111139M91	2	Tube Assy - Bkt 4.9m Boom	Ensemble Tube	Rohr Kpl	Conjunto De Tubería	Ec05/328
14	6111143M91	1	Hose Assy - Bucket Rod (Brown C/Mount)	Ensemble Durit	Schlauch Kpl	Flexible, Conj.	Brown Ec05/328
14	6102945M91	1	Hose-Bucket Rod-Brown	Flexible Ass.	Schlauch Kplt	Flexible, Conj.	Brown Ec05/328
15	6102942M91	1	Hose-Bucket Head-White	Flexible Ass.	Schlauch Kplt	Flexible, Conj.	White Ec05/328
15	6111144M91	1	Hose Assy- Bucket HD (White Centremount)	Ensemble Durit	Schlauch Kpl	Flexible, Conj.	White Ec05/328
16	6102128M1	1	Pad-Neoprene	Plaque Antidérapante	Zwischenlage	Cinta Antideslizante	
17	6102122M1	1	Clamp	Collier De Serrage	Klemme	Brida De Fijación	
18	6102130M1	1	Plate-Clamp	Plaque	Platte	Placa	
19	390972X1	2	Washer M8-17-1 Zwel	Rondelle M8	Scheibe - M8	Arandela	
20	3516075M1	2	Stud M8-65 Z5	Goujon	Stehbolzen	Espárrago	
21	394367X1	2	Nut, Hex. - Nyloc, M8	Ecrou Blocage M8	Flachmutter - M8	Tuerca De Retención	
22	6102126M1	2	Clamp	Collier De Serrage	Klemme	Brida De Fijación	
23	6102145M1	2	Pad-Neoprene	Plaque Antidérapante	Zwischenlage	Cinta Antideslizante	
24	6102124M1	2	Plate-Top	Plaque	Platte	Placa	
25	390972X1	4	Washer M8-17-1 Zwel	Rondelle M8	Scheibe - M8	Arandela	
26	6108049M1	4	Stud M8	Goujon	Stehbolzen	Espárrago	

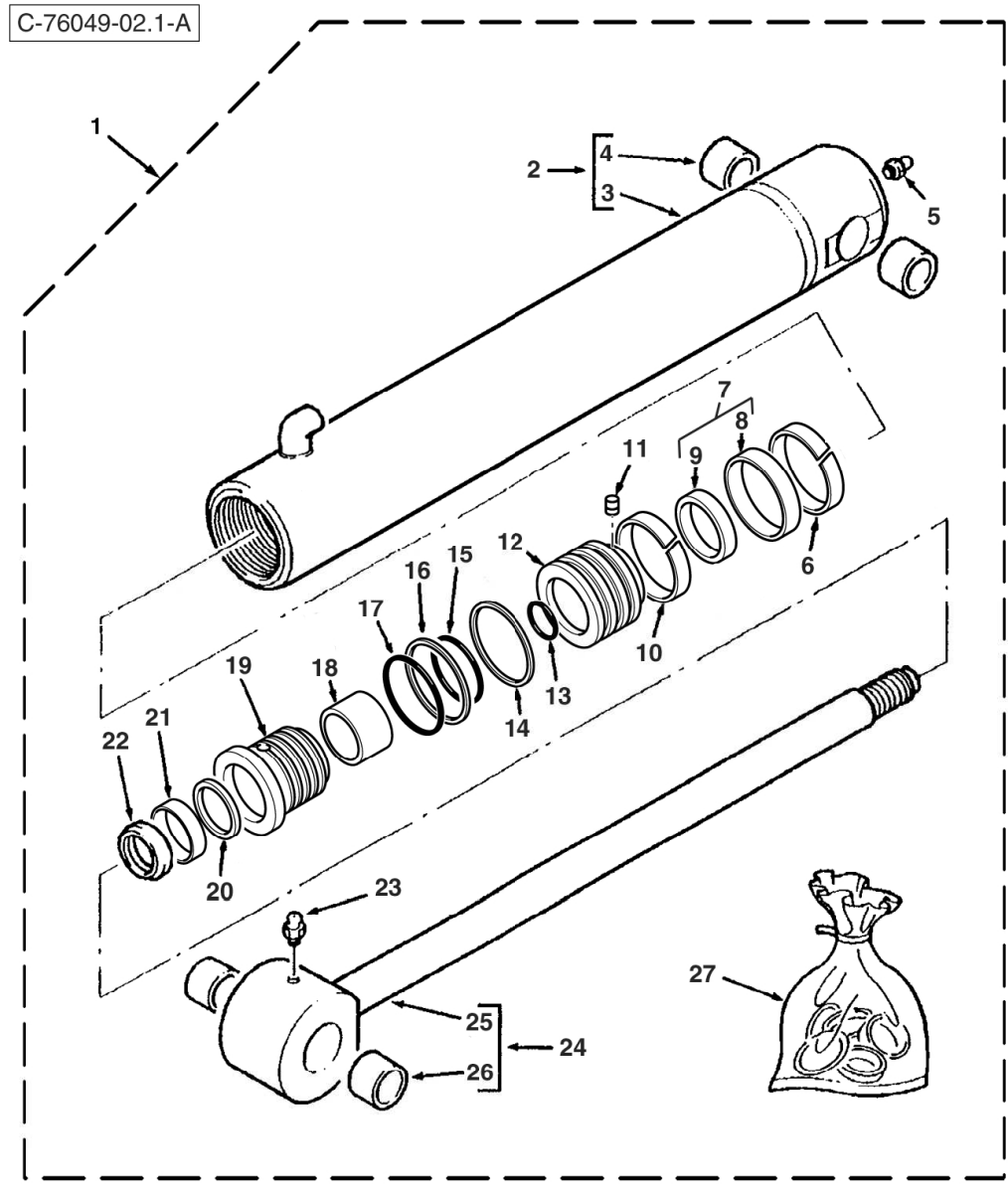


C-76049-01.1-B



<b>Item</b>	<b>Part No.</b>	<b>Qty.</b>	<b>English</b>	<b>French</b>	<b>German</b>	<b>Spanish</b>	<b>Remarks</b>
27	394367X1	4	Nut, Hex. - Nyloc, M8	Ecrou Blocage M8	Flachmutter - M8	Tuerca De Retención	
28	8000-1379	4	Tie Wrap ( 530 X 13mm )	Bride	Buegel	Banda	



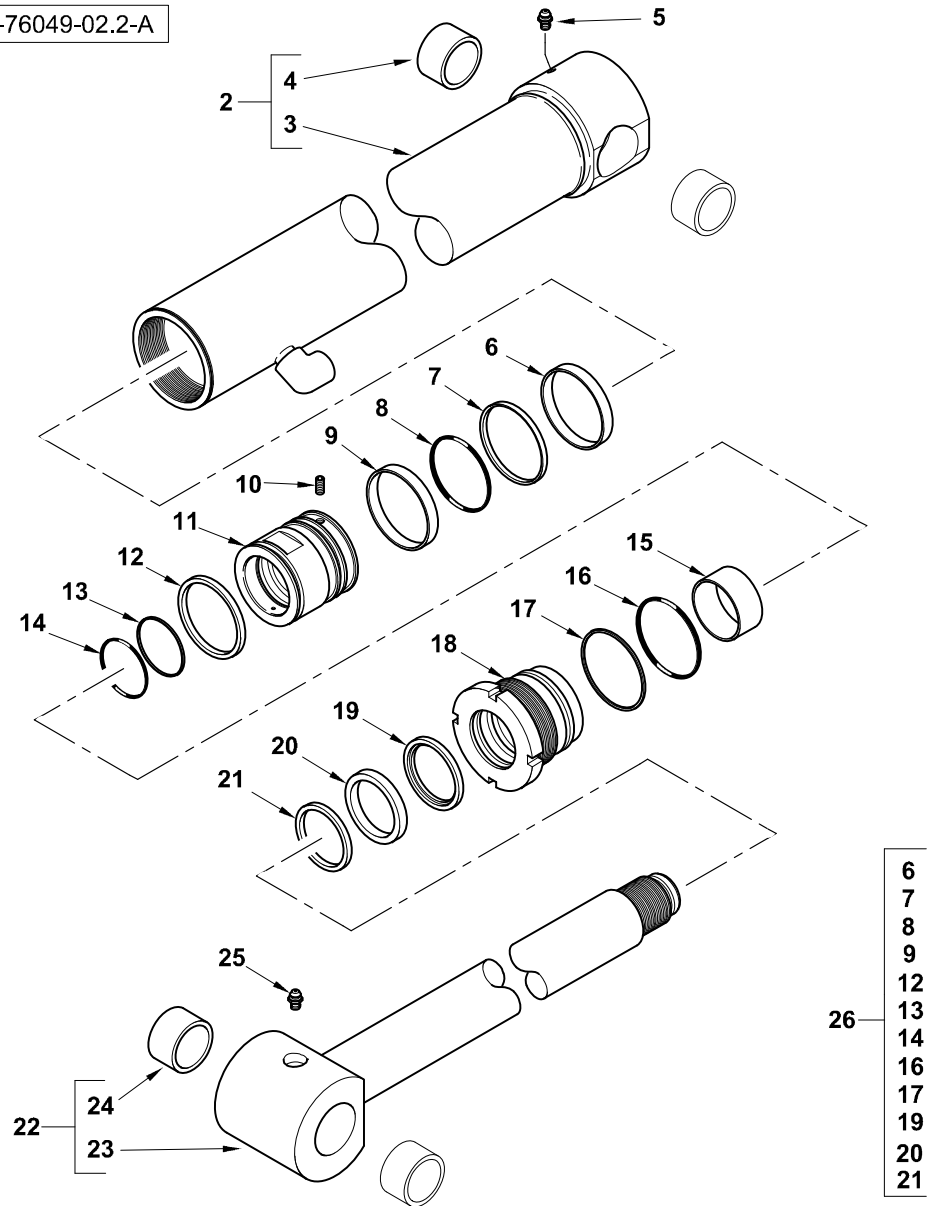




Item	Part No.	Qty.	English	French	German	Spanish	Remarks
1	5000126M91GY02	1	Cylinder Digger Bucket (Benford Grey)	L´Hie Hydraulique	Zylinder Hydr.	Gato, Conj.	Tba [76049c01.1 1]
2	5004008M91	1	Barrel Assy	Cylindre	Zylinder	Cilindro	
3	#TUBE, CYLINDER	1	Tube, Cylinder	Tube, Cylinder	Tube, Cylinder	Tube, Cylinder	Ref. 2
4	#BUSHING	1	Bushing	Douille	Busche	Boccola	
5	339608X1	1	Grease Nipple - M10 X 1 (Zinc)	Nipple De Graissage	Schmiernippel	Engrasador	
6	3485892M1	1	Guide Ring Piston	Bague D´Étanchéité	Dichtungsring	Anillo, Estanqueidad	
7	3485245M91	1	Seal Assy Piston	Joint Ass.	Dichtung Kplt	Junta, Conj.	
8	#SEAL	1	Seal	Joint Étanchéité	Dichtring	Retén	Ref. 7
9	#RING	1	Ring	Anneau	Ring	Aro	Ref. 7
10	3485892M1	1	Guide Ring Piston	Bague D´Étanchéité	Dichtungsring	Anillo, Estanqueidad	
11	3402928M1	1	Screw, Socket Head - Piston Locating	Vis Tête Hex	Zylinderschraube	Tornillo	
12	3623372M1	1	Piston	Piston	Kolben	Pistón	
13	359186X1	1	O-Ring	Joint Torique	O-Ring	Junta De Tipo O	
14	3623061M1	1	Ring Piston	Segment De Piston	Kolbenring	Segmento De Pistón	
15	359193X1	1	O-Ring	Joint Torique	O-Ring	Junta De Tipo O	
16	1606735M1	1	Ring Back-Up	Contre Bague	Stützring	ContraJunta	
17	3487207M1	1	O-Ring	Joint Torique	O-Ring	Junta De Tipo O	
18	3484615M1	1	Guide Ring	Anneau	Ring	Aro	
19	3623371M1	1	Gland - Bucket Cylinder	Presse Étoupe	Stopfbuchse	Cojinete	
20	3484055M1	1	Ring Buffer	Anneau	Ring	Aro	
21	3485185M1	1	Seal	Joint D´Arbre	Wellendichtring	Junta	
22	3487015M1	1	Wiper Ring	Anneau	Ring	Aro	
23	339608X1	1	Grease Nipple - M10 X 1 (Zinc)	Nipple De Graissage	Schmiernippel	Engrasador	
24	5004012M91	1	Piston Rod Assy - Nla	Tige De Vérin	Kolbenstange	Vástago Cilindro	
25	#ROD, PISTON	1	Rod, Piston	Rod, Piston	Rod, Piston	Rod, Piston	Ref. 24
26	#BUSHING	1	Bushing	Douille	Busche	Boccola	
27	3623373M91	1	Kit Seal	Jeu Etancheite	Dichtringsatz	Juego De Juntas	



C-76049-02.2-A



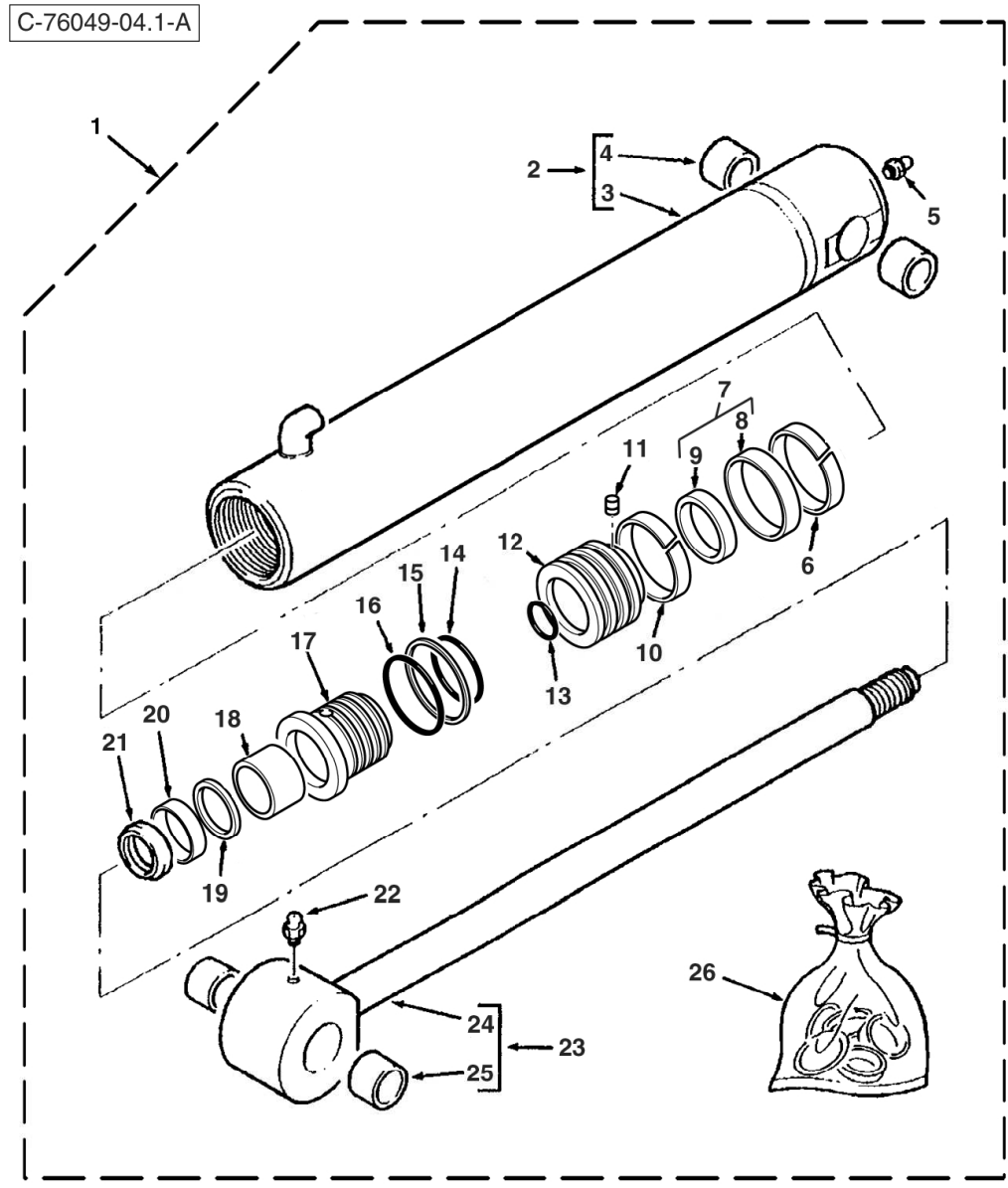
Item	Part No.	Qty.	English	French	German	Spanish	Remarks
1	6111070M91GY03	1	Cylinder- Digger Bucket	Cylindre	Zylinder	Gato, Conj.	Tba [76049c01.1 1]
2	6194629M91	1	Barrel - Cylinder	Corps Cylindre	Zylindergehäuse	Tubo	
3	#TUBE	1	Tube	Tube	Tube	Tube	Ref. 2
4	6194562M1	2	Bush	Douille	Büchse	Casquillo	
5	6194542M1	1	Nipple - Grease	Graisseur Coude	Nippel	Manguito, Engrasador	
6	6194634M1	1	Bearing - Piston	Coussinet	Lager	Teniendo - Pistón	
7	6194635M1	1	Seal - Piston	Joint Étanchéité	Dichtring	Junta	
8	6194636M1	1	O Ring (Std)	Joint Torique	O Ring	Junta De Tipo O	
9	6194634M1	1	Bearing - Piston	Coussinet	Lager	Teniendo - Pistón	
10	6194633M1	1	Set Screw - Hex Socket	Vis Tete Hex	Zylinderschraube	Tornillo De Ajuste	
11	6194631M1	1	Piston	Piston	Kolben	Pistón	
12	6194637M1	1	Ring - Piston	Segment Piston	Kolbenring	Segmento De Pistón	
13	6194625M1	1	Ring - Back Up	Contre Bague	Stutzring	ContraJunta	
14	6194624M1	1	O Ring (Std)	Joint Torique	O Ring	Junta De Tipo O	
15	6194541M1	1	Bush - Bimetal	Douille	Büchse	Juego De Anillos	
16	6194640M1	1	O Ring (Std)	Joint Torique	O Ring	Junta De Tipo O	
17	6194641M1	1	Ring - Back Up	Contre Bague	Stutzring	ContraJunta	
18	6194632M1	1	End Cover - Head	Couvercle	Deckel	Tapa	
19	6194638M1	1	Seal - Rod (Primary)	Joint Étanchéité	Dichtring	Junta	
20	6194639M1	1	Seal- Rod (Secondary)	Joint Étanchéité	Dichtring	Junta	
21	6194554M1	1	Wiper	Essuyeur	Wischer	Raspador, Escobilla	
22	6194630M91	1	Rod - Piston	Bielle De Piston	Pleuelstange	Rod - Pistón	
23	#ROD	1	Rod	Rod	Rod	Rod	Ref. 22
24	6194562M1	2	Bush	Douille	Büchse	Casquillo	
25	6194542M1	1	Nipple - Grease	Graisseur Coude	Nippel	Manguito, Engrasador	
26	6194642M91	0	Seal Kit	Jeu Etancheite	Dichtringsatz	Juego De Juntas	





Item	Part No.	Qty.	English	French	German	Spanish	Remarks
1	#CYLINDER ASSY	1	Cylinder Assy	Cylinder Assy	Cylinder Assy	Cylinder Assy	76049c04.1 1 76049c04.2 1
2	835013M91	1	Connector 7/8 Jic	Raccord	Schraubanschluss	Conexión, Conj.	
3	#UNION	1	Union	Union	Union	Union	Ref. 2
4	835024M1	1	Ring O - Boa	Joint Torique	O Ring	Junta De Tipo O	
5	3517733M1	1	Clamp Hose 130-150	Collier De Serrage	Schlauchbinder	Argolla De Cierre	
6	D142787	1	Saddle (See 142787d)	Selle	Sattel	Bloque De Caucho	
7	#TUBE ASSY	1	Tube Assy	Tube Assy	Tube Assy	Tube Assy	
8	#ELBOW	1	Elbow	Elbow	Elbow	Elbow	
9	#ELBOW	1	Elbow	Elbow	Elbow	Elbow	Ref. 8
10	#O-RING	1	O-Ring	Joint Torique	O-Ring	Junta Tórica	
11	6101738M91	1	Hose-Dipper Head	Flexible Ass.	Schlauch Kplt	Flexible, Conj.	Yellow
12	6101737M91	1	Hose-Dipper Rod	Flexible Ass.	Schlauch Kplt	Flexible, Conj.	Red
13	6102941M91	1	Hose-Dipper Head-Yellow	Flexible Ass.	Schlauch Kplt	Flexible, Conj.	Yellow
14	6102944M91	1	Hose-Dipper Rod	Flexible Ass.	Schlauch Kplt	Flexible, Conj.	Red
15	6101491M92	2	Hose Hoop Assy	Ensemble De Support	Haltevorrichtung Kpl.	Apoyadero, Conj.	
16	339761X1	2	Bolt M8-25 Z5f	Goupille	Bolzen M8 X 25	Tornillo	
17	390972X1	2	Washer M8-17-1 Zwl	Rondelle M8	Scheibe - M8	Arandela	
18	394367X1	2	Nut, Hex. - Nyloc, M8	Ecrou Blocage M8	Flachmutter - M8	Tuerca De Retención	

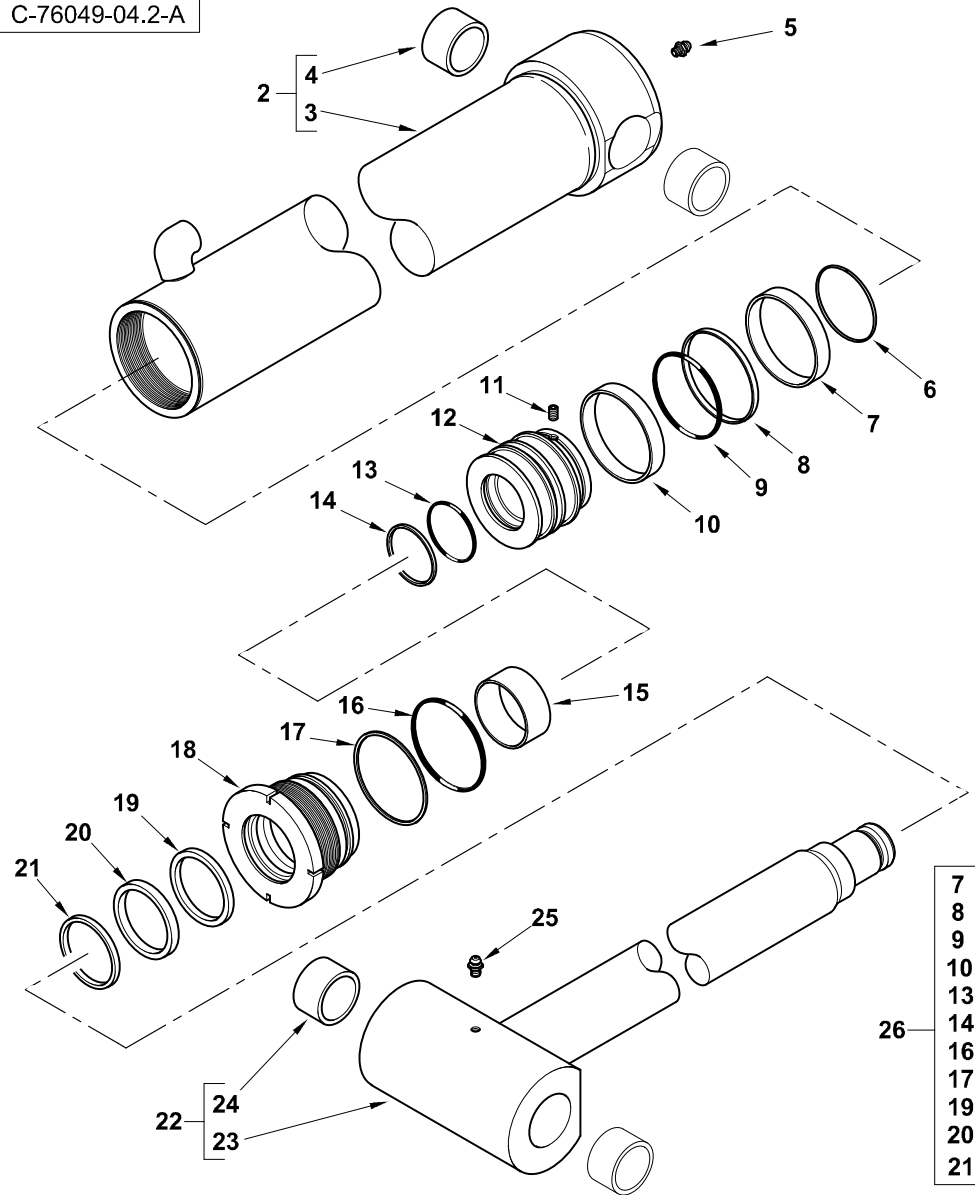




Item	Part No.	Qty.	English	French	German	Spanish	Remarks
1	5000124M91GY02	1	Cylinder Dipperstick (Benford Grey)	L´Hie Hydraulique	Zylinder Hydr.	Gato, Conj.	Tba [76049c03.1 1]
2	5003982M91	1	Barrel Assy. - Dipper Cylinder	Corps Cylindre	Zylindergehäuse	Cilindro	
3	#TUBE, CYLINDER	1	Tube, Cylinder	Tube, Cylindre	Tube, Cylinder	Tube, Cylinder	Ref. 2
4	3484843M1	1	Bush, Hydr. Cylinders	Douille	Buechse	Casquillo	
5	339608X1	1	Grease Nipple - M10 X 1 (Zinc)	Nipple De Graissage	Schmiernippel	Engrasador	
6	3485891M1	1	Guide Ring Piston	Anneau	Ring	Aro	
7	3485247M91	1	Seal Piston	Joint	Dichtung	Junta, Conj.	
8	#SEAL	1	Seal	Joint Étanchéité	Dichtring	Retén	Ref. 7
9	#RING	1	Ring	Anneau	Ring	Aro	Ref. 7
10	3485891M1	1	Guide Ring Piston	Anneau	Ring	Aro	
11	3402928M1	1	Screw, Socket Head - Piston Locating	Vis Tête Hex	Zylinderschraube	Tornillo	
12	5003989M1	1	Piston	Piston	Kolben	Pistón	
13	3007182X1	1	O-Ring	Joint Torique	O-Ring	Junta De Tipo O	
14	359196X1	1	O Ring	Joint Torique	O Ring	Junta De Tipo O	
15	378545X1	1	Ring - Backup	Contre Bague	Stutzring	Aro	
16	3487908M1	1	O Ring, Hydr. Cylinder	Joint Torique	O Ring	Junta De Tipo O	
17	5003988M1	1	Bearing Cylinder	Roulement	Lager	Cojinete	
18	3623193M1	1	Guide Ring	Anneau	Ring	Aro	
19	3443388M1	1	Ring - Back Up	Anneau	Ring	Aro	
20	3443472M1	1	Seal	Joint D´Arbre	Wellendichtring	Junta	
21	3403385M1	1	Wiper Ring	Joint De Racleur	Abstreifdichtung	Junta Raspador	
22	339608X1	1	Grease Nipple - M10 X 1 (Zinc)	Nipple De Graissage	Schmiernippel	Engrasador	
23	5003985M91	1	Piston Rod Assy	Tige De Vérin	Kolbenstange	Vástago Cilindro	
24	#ROD, PISTON	1	Rod, Piston	Rod, Piston	Rod, Piston	Rod, Piston	Ref. 23
25	3484843M1	1	Bush, Hydr. Cylinders	Douille	Buechse	Casquillo	
26	5004401M91	1	Kit Seal	Jeu Étanchéité	Dichtringsatz	Juego De Juntas	



C-76049-04.2-A

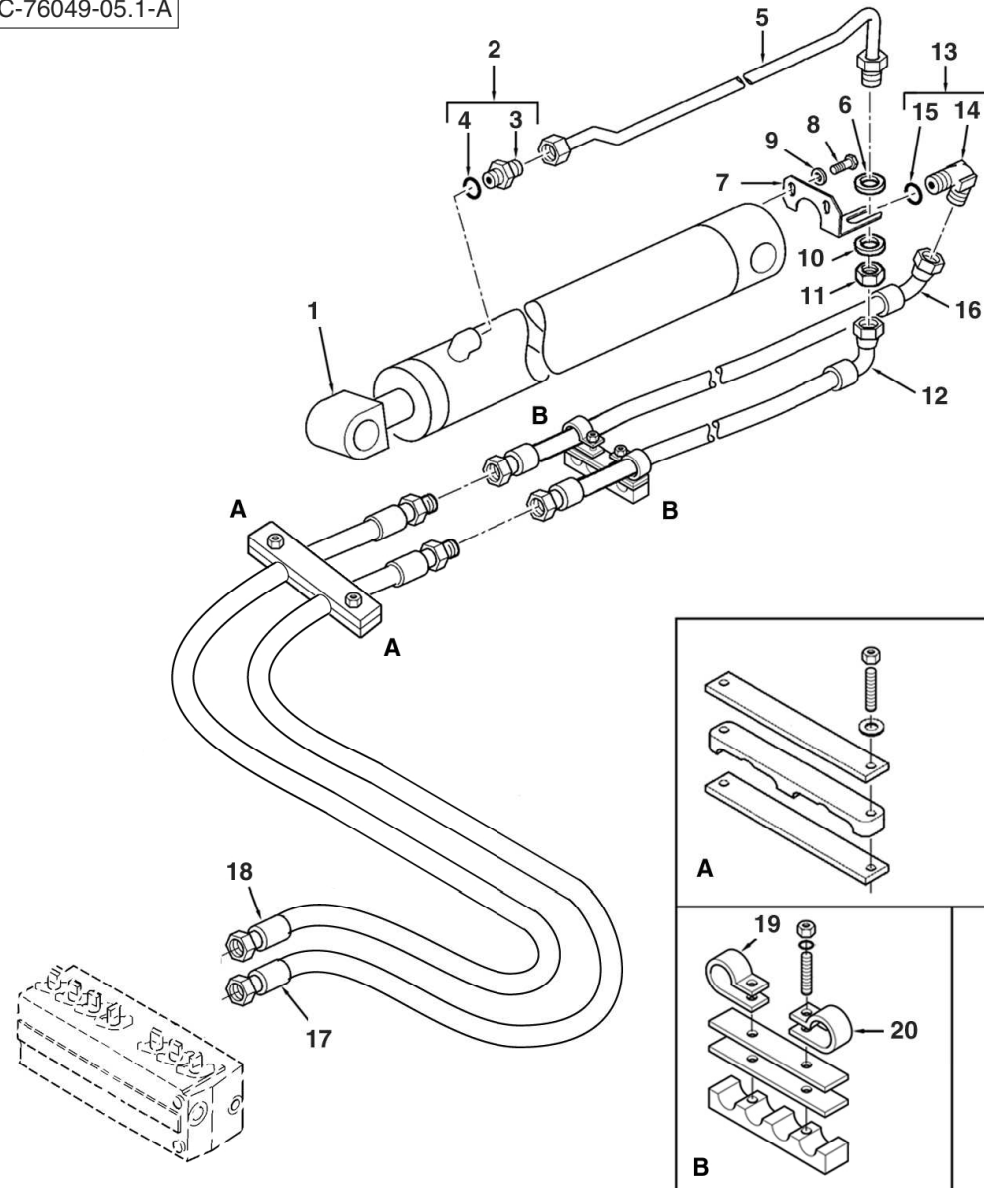




Item	Part No.	Qty.	English	French	German	Spanish	Remarks
1	6111069M91GY03	1	Cylinder - Dipperstick	Cylindre	Zylinder	Gato, Conj.	Tba [76049c03.1 1]
2	6194615M91	1	Barrel - Cylinder	Corps Cylindre	Zylindergehäuse	Conjunto De Tubería	
3	#TUBE	1	Tube	Tube	Tube	Tube	Ref. 2
4	6194562M1	2	Bush	Douille	Büchse	Casquillo	
5	6194542M1	1	Nipple - Grease	Graisseur Coude	Nippel	Manguito, Engrasador	
6	6194620M1	1	Ring - Snap	Fermeoir	Sprengring	Anillo De Resorte	
7	6194621M1	1	Bearing - Piston	Coussinet	Lager	Teniendo - Pistón	
8	6194622M1	1	Seal - Piston	Joint Étanchéité	Dichtring	Junta	
9	6194623M1	1	O Ring (Std)	Joint Torique	O Ring	Junta De Tipo O	
10	6194621M1	1	Bearing - Piston	Coussinet	Lager	Teniendo - Pistón	
11	6194619M1	1	Set Screw	Vis	Schraube	Tornillo De Ajuste	
12	6194617M1	1	Piston	Piston	Kolben	Pistón	
13	6194624M1	1	O Ring (Std)	Joint Torique	O Ring	Junta De Tipo O	
14	6194625M1	1	Ring - Back Up	Contre Bague	Stutzring	ContraJunta	
15	6194565M1	1	Bush - Bimetal	Douille	Büchse	Juego De Anillos	
16	6194626M1	1	O Ring (Std)	Joint Torique	O Ring	Junta De Tipo O	
17	6194627M1	1	Ring - Back Up	Contre Bague	Stutzring	ContraJunta	
18	6194618M1	1	End Cover - Head	Couvercle	Deckel	Tapa	
19	6194575M1	1	Seal - Rod (Primary)	Joint Étanchéité	Dichtring	Junta	
20	6194576M1	1	Seal- Rod (Secondary)	Joint Étanchéité	Dichtring	Junta	
21	6194573M1	1	Wiper	Essuyeur	Wischer	Raspador, Escobilla	
22	6194616M91	1	Rod - Piston	Bielle De Piston	Pleuelstange	Rod - Pistón	
23	#ROD	1	Rod	Rod	Rod	Rod	Ref. 22
24	6194562M1	2	Bush	Douille	Büchse	Casquillo	
25	6194542M1	1	Nipple - Grease	Graisseur Coude	Nippel	Manguito, Engrasador	
26	6194628M91	0	Seal Kit	Jeu Etancheite	Dichtringsatz	Juego De Juntas	

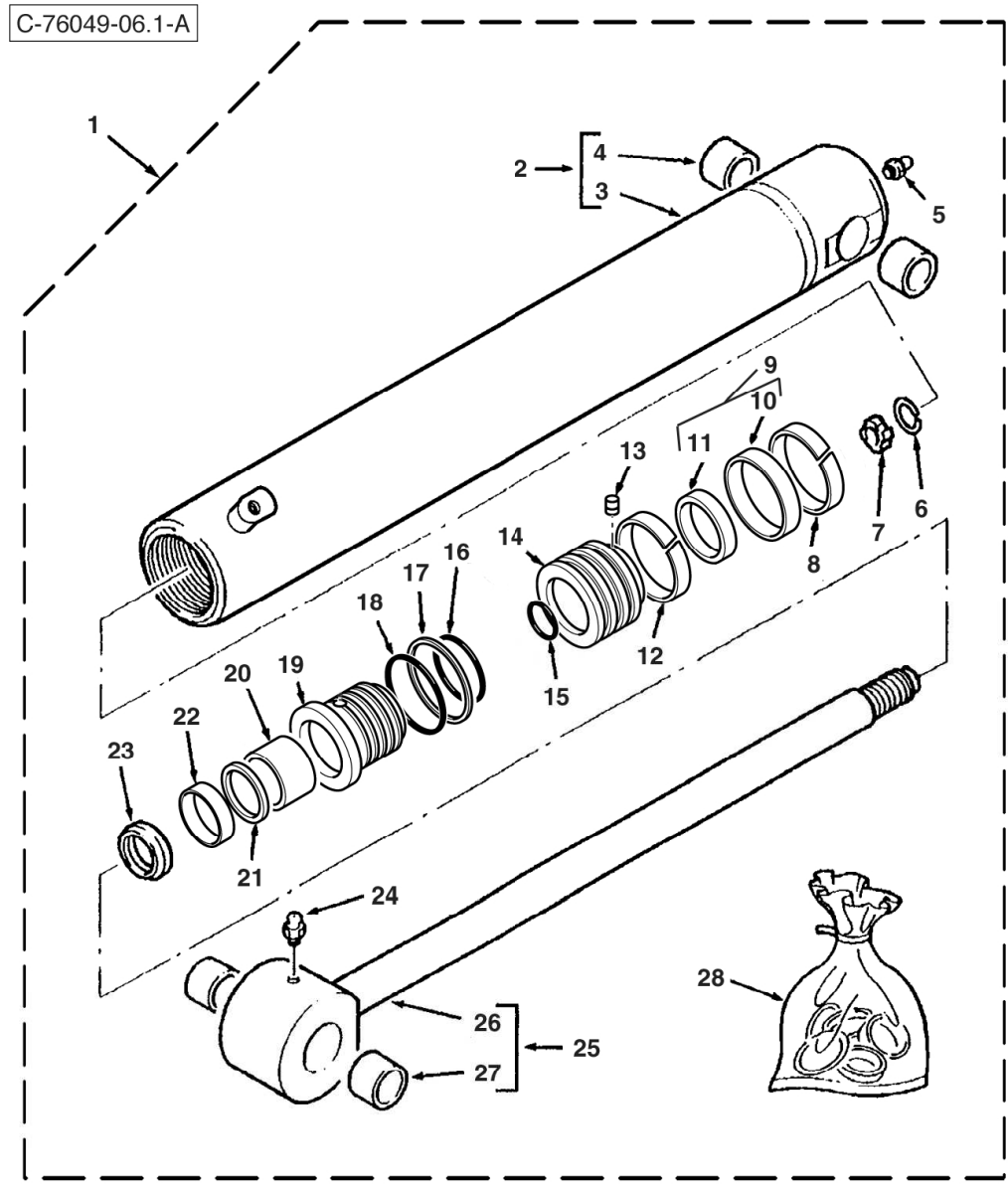


C-76049-05.1-A



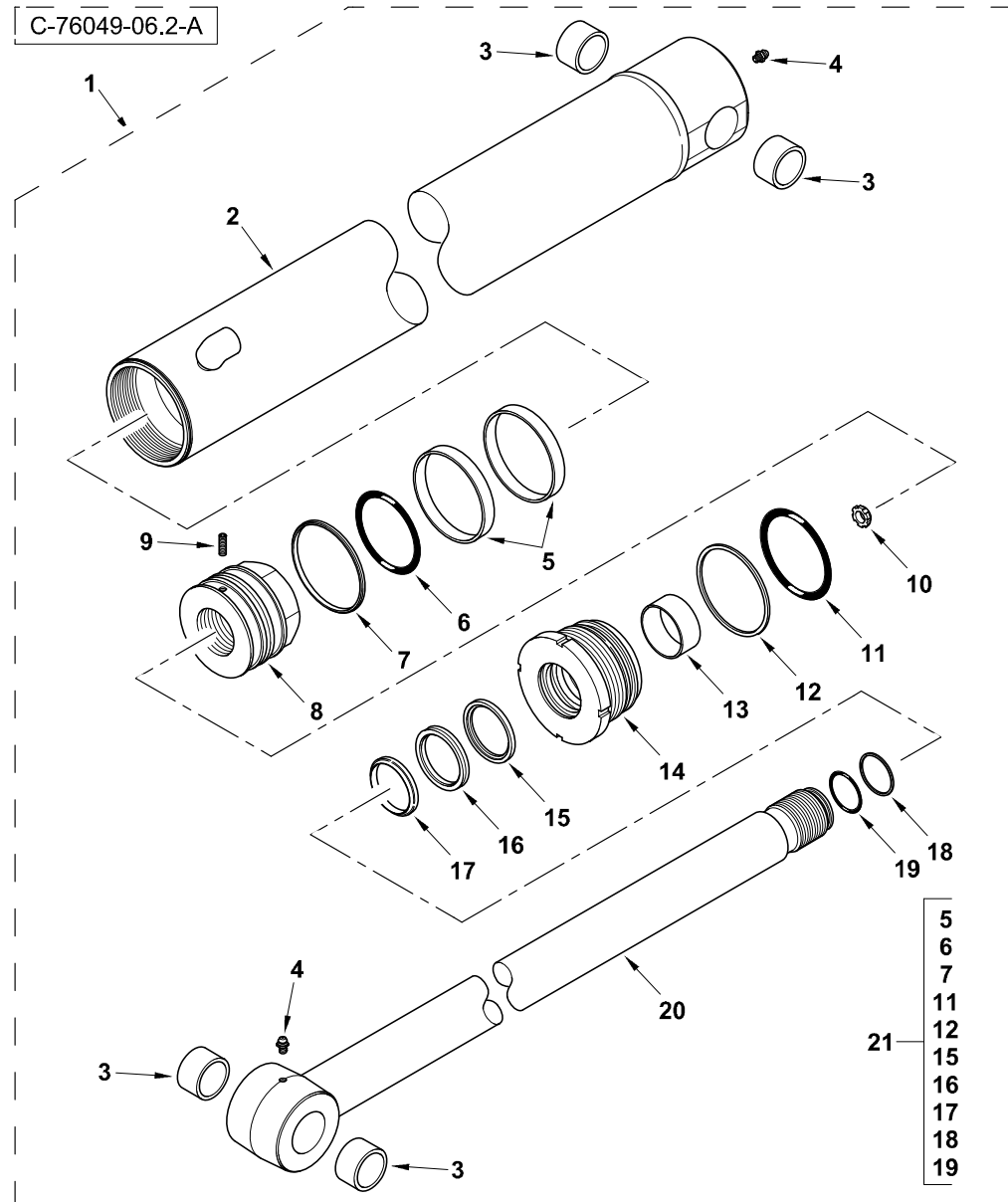
Item	Part No.	Qty.	English	French	German	Spanish	Remarks
1	6111079M91GY03	1	Cylinder Boom 4.9	Cylinder Boom 4.9	Cylinder Boom 4.9	Cylinder Boom 4.9	Wipro
1	5000123M91	1	Cylinder 4.9m Boom - High Spec.	L' Hie Hydraulique	Zylinder Hydr.	Gato, Conj.	Pacoma
2	835013M91	1	Connector 7/8 Jic	Raccord	Schraubanschluss	Conexión, Conj.	
3	#UNION	1	Union	Union	Union	Union	Ref. 2
4	835024M1	1	Ring O - Boa	Joint Torique	O Ring	Junta De Tipo O	
5	6102472M91	1	Tube-4.9 Boom Cyl Hose Burst	Tuyo	Leitung, Kpl.	Conjunto De Tubería	Pacoma
5	6111163M91	1	Tube Assy Boom Cylinder 4.9 Hb	Tuyauterie	Rohrleitung Kpl.	Conjunto De Tubería	Wipro
6	#WASHER	1	Washer	Rondelle	Unterlegscheibe	Arandela	
7	#BRACKET	1	Bracket	Bracket	Bracket	Bracket	
8	339228X1	2	Bolt, Hex. - M8 X 12 (Coarse)	Boulon M8 X 12	Maschschraube M8	Tornillo	
9	339374X1	2	Washer M8 -21-2 Z	Rondelle Frein - M8	Federring - M8	Arandela De Freno	
10	#WASHER	1	Washer	Rondelle	Unterlegscheibe	Arandela	
11	#NUT	1	Nut	Ecrou	Mutter	Tuerca	
12	#HOSE ASSY	1	Hose Assy	Hose Assy	Hose Assy	Hose Assy	Orange
13	#ELBOW	1	Elbow	Elbow	Elbow	Elbow	
14	#ELBOW	1	Elbow	Elbow	Elbow	Elbow	Ref. 13
15	#O-RING	1	O-Ring	Joint Torique	O-Ring	Junta Tórica	
16	6101736M92	1	Hose, "Blue" - Boom Cylinder Feed	Flexible	Schlauch	Flexible, Conj.	Blue
17	6102943M91	1	Hose-Boom Rod-Orange	Flexible Ass.	Schlauch Kplt	Flexible, Conj.	Orange
18	6102940M91	1	Hose-Boom Head-Blue	Flexible Ass.	Schlauch Kplt	Flexible, Conj.	Blue
19	515-23270	1	Clip-Coated P	Clip	Klips	Clip	
20	515-23206	1	P Clip Bsr081hs	Bride Pour Tutaux	Schlauchschelle	Abrazadera De Manguera	





Item	Part No.	Qty.	English	French	German	Spanish	Remarks
1	5000123M91	1	Cylinder 4.9m Boom - High Spec.	L´Hie Hydraulique	Zylinder Hydr.	Gato, Conj.	76049c05.1 1
2	5003993M91	1	Barrel Assy	Cylindre	Zylinder	Cilindro	
3	#TUBE, CYLINDER	1	Tube, Cylinder	Tube, Cylinder	Tube, Cylinder	Tube, Cylinder	Ref. 2
4	#BUSHING	2	Bushing	Douille	Busche	Boccola	
5	339608X1	1	Grease Nipple - M10 X 1 (Zinc)	Nipple De Graissage	Schmiernippel	Engrasador	
6	1609899M1	1	Snap Ring	Anneau D´Arrêt	Sprengring	Anillo De Resorte	
7	1609328M1	1	Ring Cushioning	Anneau	Ring	Aro	
8	3403852M1	1	Ring, Guide - Piston	Anneau	Ring	Aro	
9	3485213M91	1	Seal Piston	Joint	Dichtung	Junta, Conj.	
10	#SEAL	1	Seal	Joint Étanchéité	Dichtring	Retén	Ref. 9
11	#SEAL	1	Seal	Joint Étanchéité	Dichtring	Retén	Ref. 9
12	3403852M1	1	Ring, Guide - Piston	Anneau	Ring	Aro	
13	3402928M1	1	Screw, Socket Head - Piston Locating	Vis Tête Hex	Zylinderschraube	Tornillo	
14	3484189M1	1	Piston	Piston	Kolben	Pistón	
15	3007182X1	1	O-Ring	Joint Torique	O-Ring	Junta De Tipo O	
16	359203X1	1	O-Ring	Joint Torique	O-Ring	Junta De Tipo O	
17	367120X1	1	Back-Up Ring	Contre Bague	Stützring	Aro	
18	3487909M1	1	O-Ring	Joint Torique	O-Ring	Junta De Tipo O	
19	3623202M1	1	Bearing	Roulement	Lager	Cojinete	
20	3623193M1	1	Guide Ring	Anneau	Ring	Aro	
21	3443388M1	1	Ring - Back Up	Anneau	Ring	Aro	
22	3443472M1	1	Seal	Joint D´Arbre	Wellendichtring	Junta	
23	3403385M1	1	Wiper Ring	Joint De Racleur	Abstreifdichtung	Junta Raspador	
24	339608X1	1	Grease Nipple - M10 X 1 (Zinc)	Nipple De Graissage	Schmiernippel	Engrasador	
25	3441722M91	1	Piston Rod Assy	Tige De Vérin	Kolbenstange	Vástago Cilindro	
26	#ROD, PISTON	1	Rod, Piston	Rod, Piston	Rod, Piston	Rod, Piston	Ref. 25
27	3484843M1	1	Bush, Hydr. Cylinders	Douille	Buechse	Casquillo	
28	3623589M91	1	Kit, Seal - Hydraulic Cylinder	Jeu Etancheite	Dichtringsatz	Juego De Juntas	

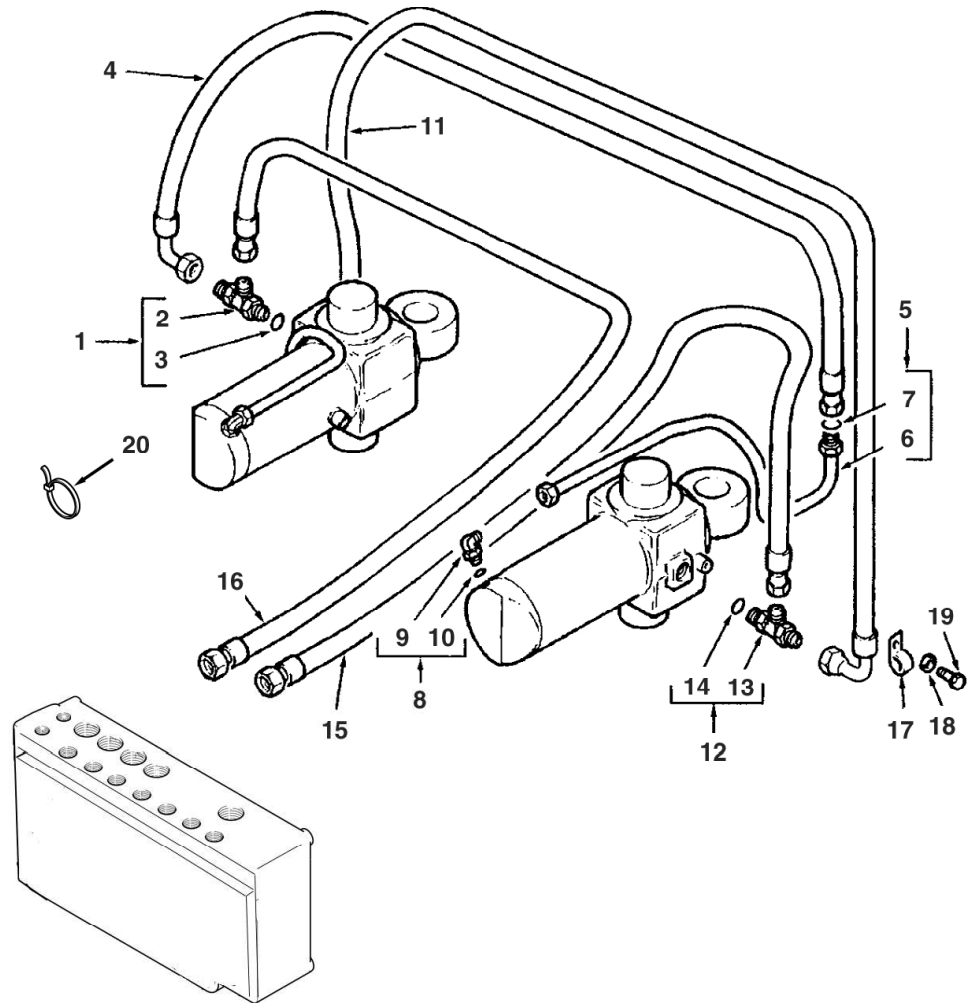




Item	Part No.	Qty.	English	French	German	Spanish	Remarks
1	6111079M91GY03	1	Cylinder Boom 4.9	Cylinder Boom 4.9	Cylinder Boom 4.9	Cylinder Boom 4.9	
2	6195264M91GY03	1	Tube - S/A (Terex Grey)	Tube - S/A (Terex Grey)	Tube - S/A (Terex Grey)	Tube - S/A (Terex Grey)	
3	6195253M1	4	Bush	Douille	Buchse	Casquillo	
4	6194542M1	2	Nipple - Grease	Graisseur Coude	Nippel	Manguito, Engrasador	
5	6195259M1	2	Bearing - Piston	Bearing - Piston	Bearing - Piston	Bearing - Piston	
6	6195258M1	1	O - Ring	O - Ring	O - Ring	O - Ring	
7	6195257M1	1	Seal - Piston	Seal - Piston	Seal - Piston	Seal - Piston	
8	6195251M1	1	Piston	Piston	Piston	Piston	
9	6195236M1	1	Set Screw - Hex Socket	Set Screw - Hex Socket	Set Screw - Hex Socket	Set Screw - Hex Socket	
10	6195235M1	1	Ring - Cushion	Ring - Cushion	Ring - Cushion	Ring - Cushion	
11	6195260M1	1	O - Ring	O - Ring	O - Ring	O - Ring	
12	6195261M1	1	Ring - Back Up	Ring - Back Up	Ring - Back Up	Ring - Back Up	
13	6195256M1	1	Bush - Bimetal	Bush - Bimetal	Bush - Bimetal	Bush - Bimetal	
14	6195252M1	1	Cover - H.E.	Cover - H.E.	Cover - H.E.	Cover - H.E.	
15	6194575M1	1	Seal - Rod (Primary)	Joint Étanchéité	Dichtring	Junta	
16	6195262M1	1	Seal - Rod (Secondary)	Seal - Rod (Secondary)	Seal - Rod (Secondary)	Seal - Rod (Secondary)	
17	6194573M1	1	Wiper	Essuyeur	Wischer	Raspador, Escobilla	
18	6194570M1	1	Ring - Back Up	Contre Bague	Stutzring	Contra junta	
19	6195247M1	1	O - Ring	O - Ring	O - Ring	O - Ring	
20	6195265M91	1	Piston Rod - S/A	Piston Rod - S/A	Piston Rod - S/A	Piston Rod - S/A	
21	6195263M91	1	Seal Kit	Jeu Etancheite	Dichtringsatz	Juego Retenes	



C-76049-07.1-A

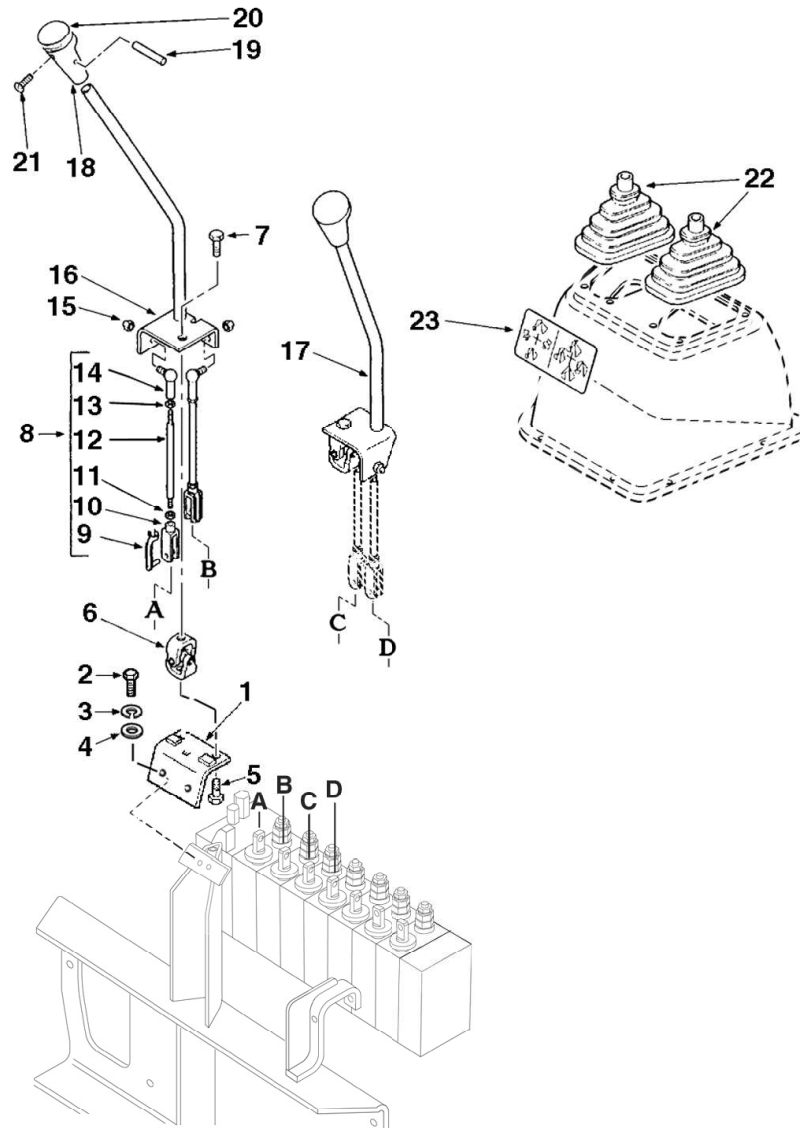




Item	Part No.	Qty.	English	French	German	Spanish	Remarks
1	358728X91	1	Tee	Te	T-Stück	Te	
2	#TEE	1	Tee	Tee	Tee	Tee	Ref. 1
3	831497M1	1	O-Ring	Joint Torique	O-Ring	Junta De Tipo O	
4	6100716M91	1	Hose Slew Trsfr	Flexible Ass.	Schlauch Kplt	Flexible, Conj.	
5	6111174M92	1	Tube Assy Slew	Ensemble Tube	Rohr Kpl	Conj. De Tubo	LH Wipro
5	6100589M91	1	Tube Slew Trsf RH	Tuyauterie	Rohrleitung Kplt	Conjunto De Tubería	Pacoma
5	6100587M91	1	Tube Slew Trsf LH	Tuyauterie	Rohrleitung Kplt	Conjunto De Tubería	Pacoma
5	6111175M92	1	Tube Assy Slew	Ensemble Tube	Rohr Kpl	Conj.De Tubo	RH Wipro
6	#TUBE	1	Tube	Tube	Tube	Tube	Ref. 5
7	394923X1	1	O Ring	Joint Torique	O Ring	Junta De Tipo O	
8	357197X91	2	Elbow & O Ring	Coude	Kniestück, 90°	Codo, 90°	
9	#ELBOW	1	Elbow	Elbow	Elbow	Elbow	Ref. 8
10	831452M1	1	O Ring (Pack Of 10)	Joint Torique	O Ring	Junta De Tipo O	
11	6100716M91	1	Hose Slew Trsfr	Flexible Ass.	Schlauch Kplt	Flexible, Conj.	
12	358728X91	1	Tee	Te	T-Stück	Te	
13	#TEE	1	Tee	Tee	Tee	Tee	Ref. 12
14	831497M1	1	O-Ring	Joint Torique	O-Ring	Junta De Tipo O	
15	6100715M92	1	Hose-Digger-Green	Flexible Ass.	Schlauch Kplt	Flexible, Conj.	Purple
16	6101866M93	1	Hose-Digger-Green	Flexible Ass.	Schlauch Kplt	Flexible, Conj.	Green
17	3517114M2	2	P - Clip	Collier De Fixation	Befestigungsschelle	Argolla De Fijación	
18	385361X1	2	Washer M8 Hardened	Rondelle M8	Scheibe M8	Arandela	
19	339228X1	2	Bolt, Hex. - M8 X 12 (Coarse)	Boulon M8 X 12	Maschschraube M8	Tornillo	
20	1862425M1	1	Tie 385mm T50I	Attache Cable	Kabelbinder	Enlace De Cable	



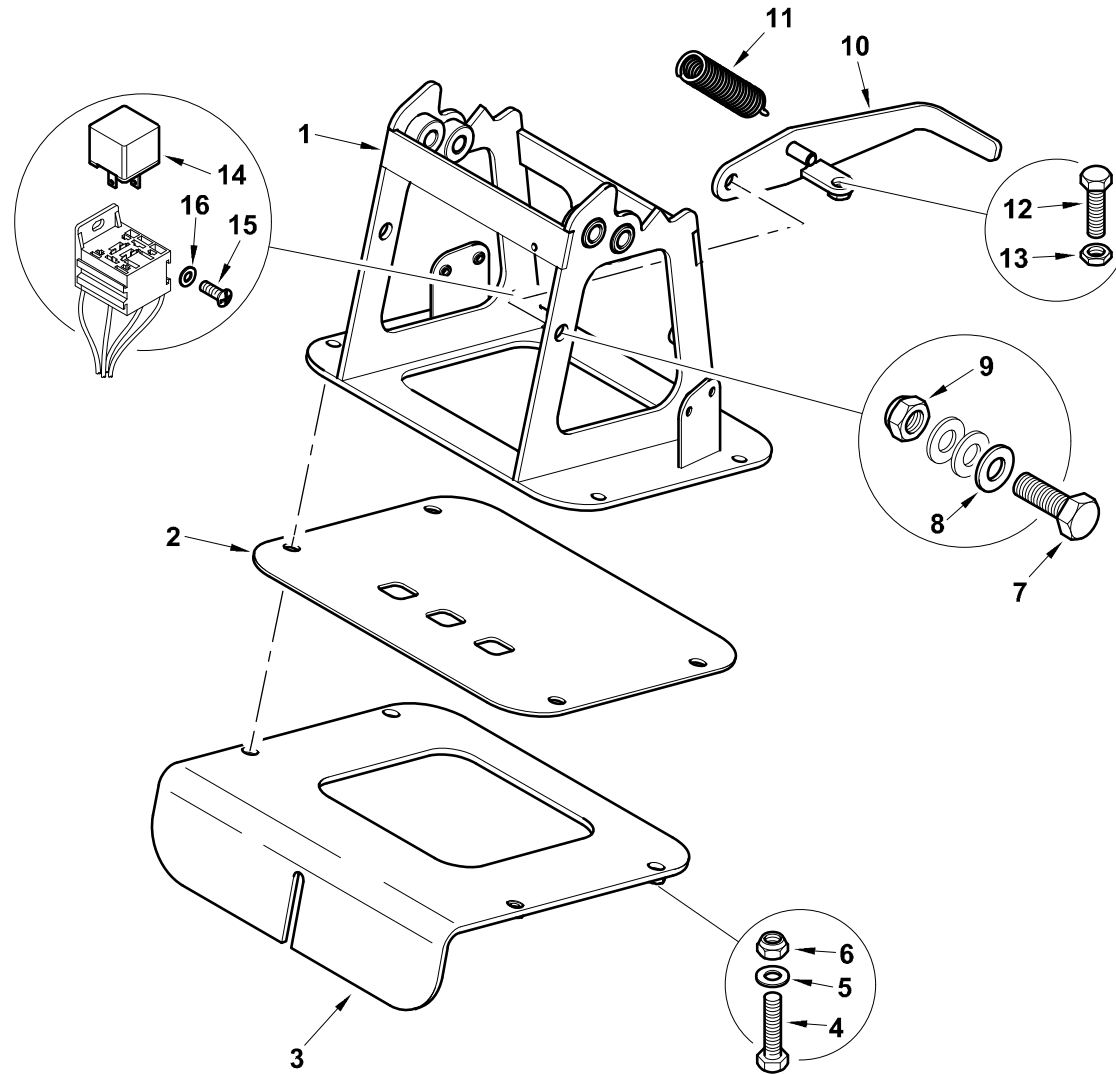
C-77001-01.1-A



Item	Part No.	Qty.	English	French	German	Spanish	Remarks
1	6106682M91	1	Bracket Digger Controls	Patte Fixation	Halter	Apoyadero, Conj.	
2	339124X1	3	Bolt M8-16 Z5f	Goupille	Maschschrb Metr - M8	Tornillo	
3	339374X1	3	Washer M8 -21-2 Z	Rondelle Frein - M8	Federring - M8	Arandela De Freno	
4	390972X1	3	Washer M8-17-1 Zwel	Rondelle M8	Scheibe - M8	Arandela	
5	354742X1	2	Bolt 1/2"Unf X 5/8"	Goupille	Bolzen	Perno	
6	3521075M91	2	Joint Universal	Cardan	Kardangelenk	Cardán	
7	354742X1	2	Bolt 1/2"Unf X 5/8"	Goupille	Bolzen	Perno	
8	6106905M91	4	Rod-Digger Control	Tringlerie	Gestänge	Tirantes, Conj.	
9	3520666M1	1	Pin W/ Spring Clip	Axe De Chape	Gabelstift	Eje De Brida	
10	3519590M1	1	Clevis LH Thread	Chape	Gabelverbindung	Brida	
11	3519650M1	1	Nut, Hex - M8, L/H Thread	Ecrou	Mutter	Tuerca	
12	#ROD	1	Rod	Rod	Rod	Rod	Ref. 8
13	339169X1	1	Nut, Hex. - M8, Coarse	Ecrou Métrique	Mutter Metrisch	Tuerca	
14	3517518M1	1	Ball Joint M8	Rotule	Kugelgelenk	Rotula	
15	394367X1	4	Nut, Hex. - Nyloc, M8	Ecrou Blocage M8	Flachmutter - M8	Tuerca De Retención	
16	6107130M91	1	Lever-Rh Digg.Control	Levier Ass.	Hebel Kplt	Palanca, Conj.	
17	6107131M91	1	Lever-Lh Digg.Control	Levier Ass.	Hebel Kplt	Palanca, Conj.	
18	3522621M5	2	Base Control Knob	Poignée De Levier	Griff	Empuñ. Palanca	
19	3019531X1	2	Pin - Roll	Goupille Elastique	Spannhulse	Pasador Elástico	
20	3522669M3	2	Knob Top Digg Cnt (Y)	Chapeau	Kappe	Sombbrero	
21	3516886M1	4	Screw C/Sk 1/4 Lng	Vis	Schraube	Tornillo	
22	6109905M1	2	Gaiter - Digger (Black)	Souf•et	Kofferraum	Fuelle	
23	6101890M1	1	Decal-Std.Digger Control	Adhésif	Aufkleber	Adhesivo	



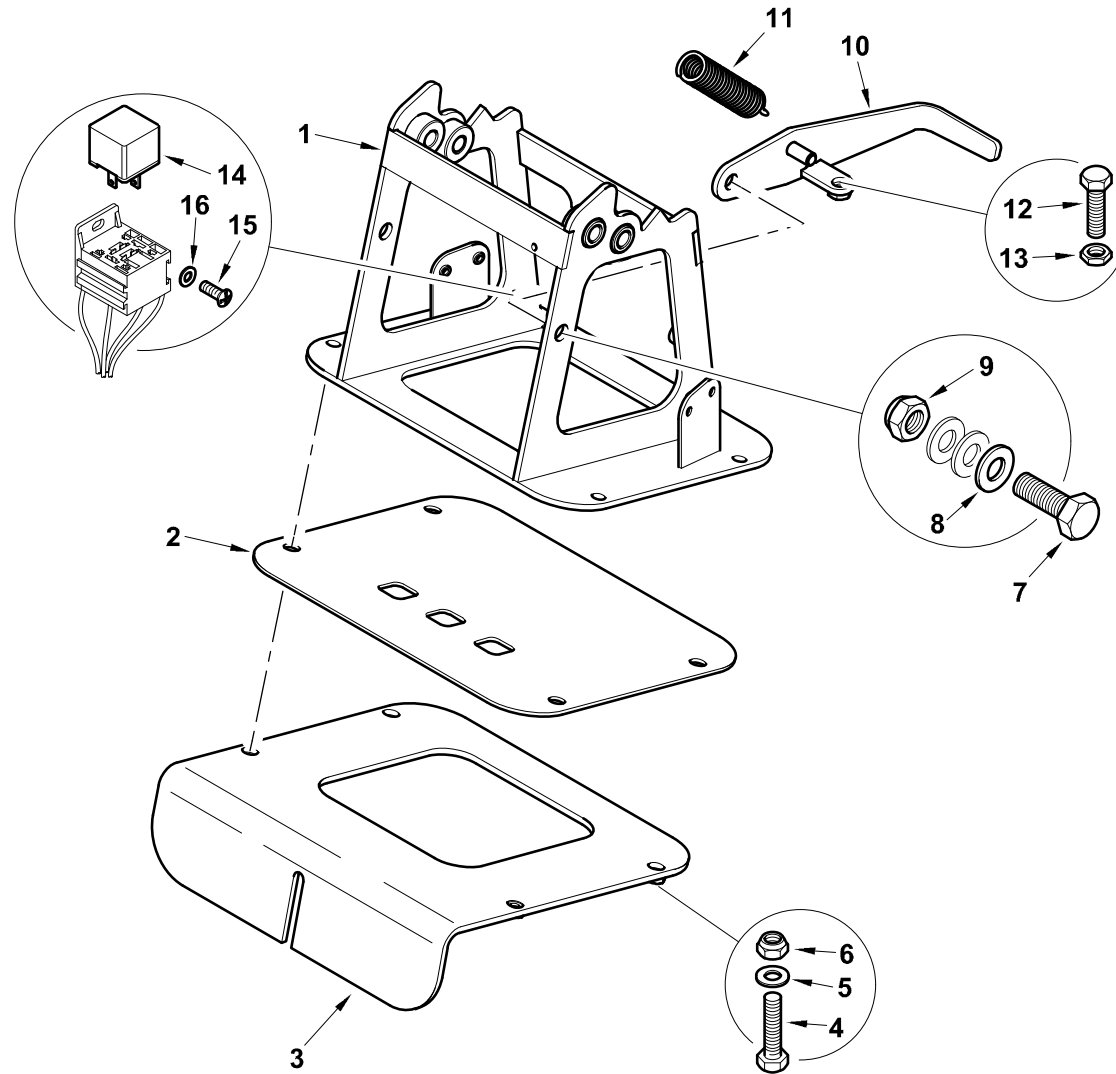
C-77007-01.1-A



Item	Part No.	Qty.	English	French	German	Spanish	Remarks
1	6106682M91	1	Bracket Digger Controls	Patte Fixation	Halter	Apoyadero, Conj.	
2	339124X1	3	Bolt M8-16 Z5f	Goupille	Maschschrb Metr - M8	Tornillo	
3	339374X1	3	Washer M8 -21-2 Z	Rondelle Frein - M8	Federring - M8	Arandela De Freno	
4	390972X1	3	Washer M8-17-1 Zwel	Rondelle M8	Scheibe - M8	Arandela	
5	354742X1	2	Bolt 1/2"Unf X 5/8"	Goupille	Bolzen	Perno	
6	3521075M91	2	Joint Universal	Cardan	Kardangelenk	Cardán	
7	354742X1	2	Bolt 1/2"Unf X 5/8"	Goupille	Bolzen	Perno	
8	6106905M91	2	Rod-Digger Control	Tringlerie	Gestänge	Tirantes, Conj.	
9	3520666M1	1	Pin W/ Spring Clip	Axe De Chape	Gabelstift	Eje De Brida	
10	3519590M1	1	Clevis LH Thread	Chape	Gabelverbindung	Brida	
11	3519650M1	1	Nut, Hex - M8, L/H Thread	Ecrou	Mutter	Tuerca	
12	#ROD	1	Rod	Rod	Rod	Rod	Ref. 8
13	339169X1	1	Nut, Hex. - M8, Coarse	Ecrou Métrique	Mutter Metrisch	Tuerca	
14	3517518M1	1	Ball Joint M8	Rotule	Kugelgelenk	Rotula	
15	394367X1	2	Nut, Hex. - Nyloc, M8	Ecrou Blocage M8	Flachmutter - M8	Tuerca De Retención	
16	6107371M91	2	Rod Assy. - ISO Digger Controls	Tringlerie	Gestänge	Tirantes, Conj.	
17	3520666M1	1	Pin W/ Spring Clip	Axe De Chape	Gabelstift	Eje De Brida	
18	3519590M1	1	Clevis LH Thread	Chape	Gabelverbindung	Brida	
19	3519650M1	1	Nut, Hex - M8, L/H Thread	Ecrou	Mutter	Tuerca	
20	#ROD	1	Rod	Rod	Rod	Rod	Ref. 16
21	339169X1	1	Nut, Hex. - M8, Coarse	Ecrou Métrique	Mutter Metrisch	Tuerca	
22	3517518M1	1	Ball Joint M8	Rotule	Kugelgelenk	Rotula	
23	394367X1	2	Nut, Hex. - Nyloc, M8	Ecrou Blocage M8	Flachmutter - M8	Tuerca De Retención	
24	6107130M91	1	Lever-Rh Digg.Control	Levier Ass.	Hebel Kplt	Palanca, Conj.	
25	6107131M91	1	Lever-Lh Digg.Control	Levier Ass.	Hebel Kplt	Palanca, Conj.	
26	3522621M5	2	Base Control Knob	Poignée De Levier	Griff	Empuñ. Palanca	
27	3019531X1	2	Pin - Roll	Goupille Elastique	Spannhulse	Pasador Elástico	
28	3522669M3	2	Knob Top Digg Cnt (Y)	Chapeau	Kappe	Sombbrero	
29	3516886M1	4	Screw C/Sk 1/4 Lng	Vis	Schraube	Tornillo	
30	6109905M1	2	Gaiter - Digger (Black)	Souf•et	Kofferraum	Fuelle	



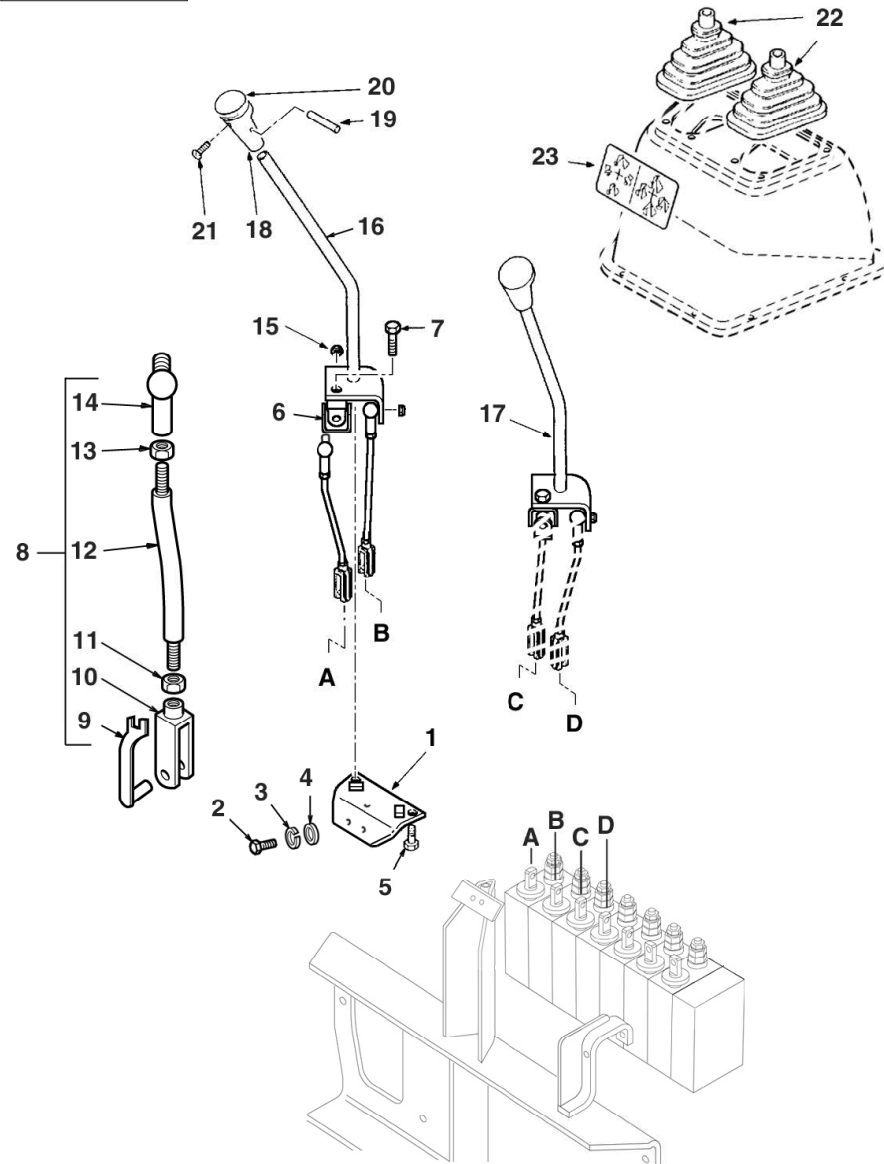
C-77007-01.1-A



<b>Item</b>	<b>Part No.</b>	<b>Qty.</b>	<b>English</b>	<b>French</b>	<b>German</b>	<b>Spanish</b>	<b>Remarks</b>
31	6101895M1	1	Decal, ISO Digger Controls	Adhésif	Aufkleber	Adhesivo	



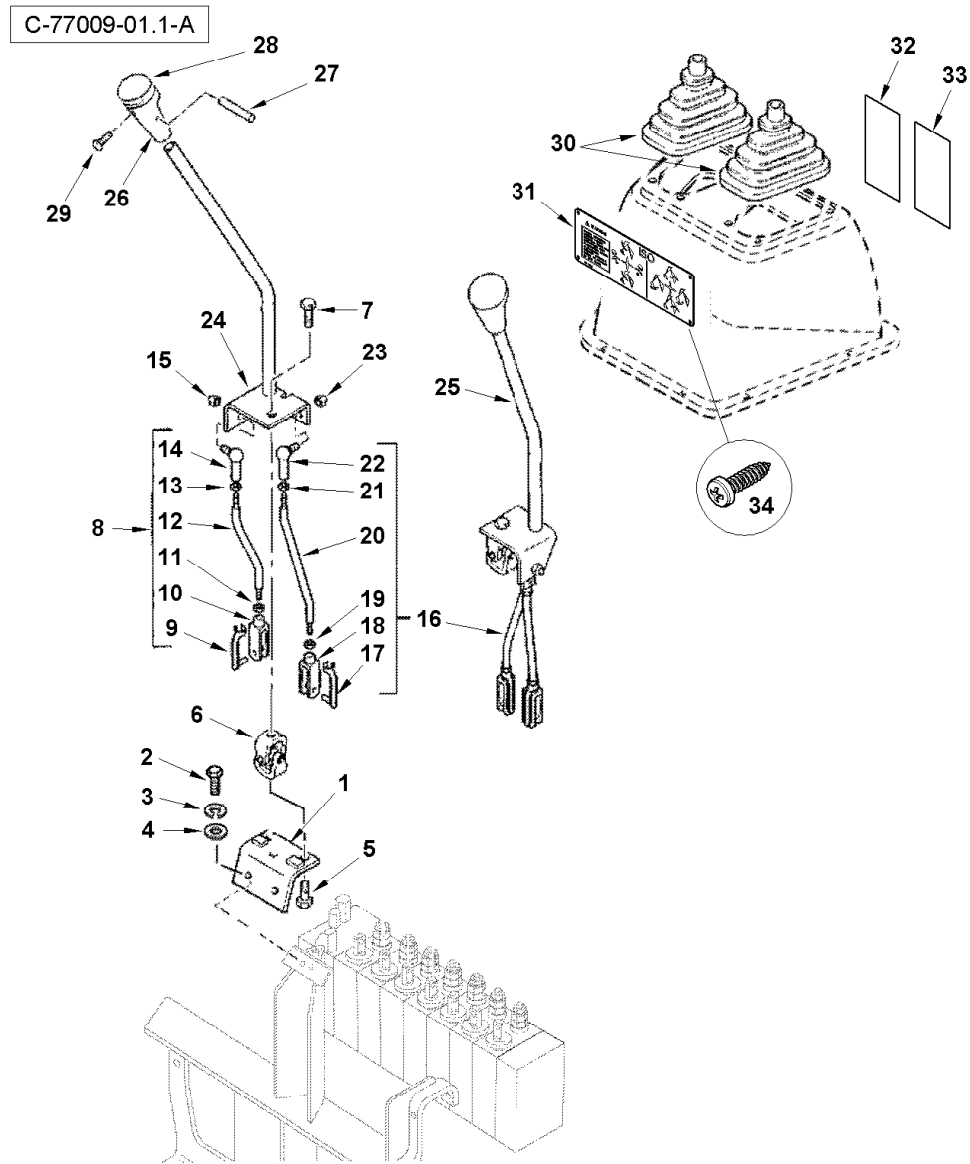
C-77003-01.1-A





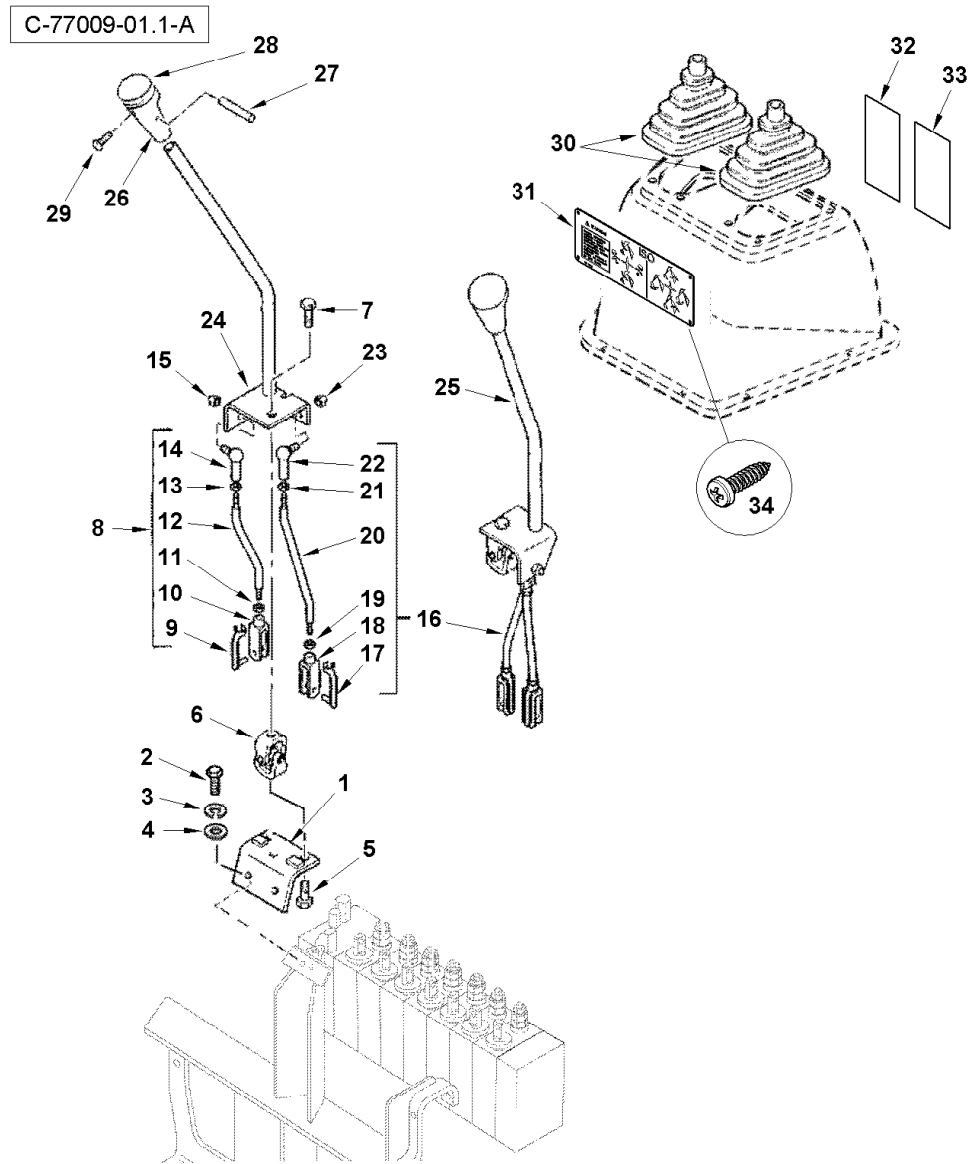
Item	Part No.	Qty.	English	French	German	Spanish	Remarks
1	6106958M91	1	Bracket - X (Jcb) Pattern Digger Control	Patte Fixation	Haltearm	Pata De Fijación	
2	339124X1	3	Bolt M8-16 Z5f	Goupille	Maschschrb Metr - M8	Tornillo	
3	339374X1	3	Washer M8 -21-2 Z	Rondelle Frein - M8	Federring - M8	Arandela De Freno	
4	390972X1	3	Washer M8-17-1 Zwel	Rondelle M8	Scheibe - M8	Arandela	
5	354742X1	2	Bolt 1/2"Unf X 5/8"	Goupille	Bolzen	Perno	
6	3521075M91	2	Joint Universal	Cardan	Kardangelenk	Cardán	
7	354742X1	2	Bolt 1/2"Unf X 5/8"	Goupille	Bolzen	Perno	
8	6106905M91	4	Rod-Digger Control	Tringlerie	Gestänge	Tirantes, Conj.	
9	3520666M1	1	Pin W/ Spring Clip	Axe De Chape	Gabelstift	Eje De Brida	
10	3519590M1	1	Clevis LH Thread	Chape	Gabelverbindung	Brida	
11	3519650M1	1	Nut, Hex - M8, L/H Thread	Ecrou	Mutter	Tuerca	
12	#ROD	1	Rod	Rod	Rod	Rod	Ref. 8
13	339169X1	1	Nut, Hex. - M8, Coarse	Ecrou Métrique	Mutter Metrisch	Tuerca	
14	3517518M1	1	Ball Joint M8	Rotule	Kugelgelenk	Rotula	
15	394367X1	4	Nut, Hex. - Nyloc, M8	Ecrou Blocage M8	Flachmutter - M8	Tuerca De Retención	
16	6107172M91	1	Lever Assy. RH 0 X (Jcb) Digger Controls	Ensemble Levier	Hebel Kplt	Palanca, Conj.	
17	6107173M91	1	Lever Assy. LH - X (Jcb) Digger Controls	Ensemble Levier	Hebel	Palanca, Conj.	
18	3522621M5	2	Base Control Knob	Poignée De Levier	Griff	Empuñ. Palanca	
19	3019531X1	2	Pin - Roll	Goupille Elastique	Spannhulse	Pasador Elástico	
20	3522669M3	2	Knob Top Digg Cnt (Y)	Chapeau	Kappe	Sombbrero	
21	3516886M1	4	Screw C/Sk 1/4 Lng	Vis	Schraube	Tornillo	
22	6109905M1	2	Gaiter - Digger (Black)	Souf•et	Kofferraum	Fuelle	
23	6101894M1	1	Decal - X (Jcb) Digger Controls	Adhésif	Aufkleber	Adhesivo	





Item	Part No.	Qty.	English	French	German	Spanish	Remarks
1	6106682M91	1	Bracket Digger Controls	Patte Fixation	Halter	Apoyadero, Conj.	
2	339124X1	3	Bolt M8-16 Z5f	Goupille	Maschschrb Metr - M8	Tornillo	
3	339374X1	3	Washer M8 -21-2 Z	Rondelle Frein - M8	Federring - M8	Arandela De Freno	
4	390972X1	3	Washer M8-17-1 Zwel	Rondelle M8	Scheibe - M8	Arandela	
5	354742X1	2	Bolt 1/2"Unf X 5/8"	Goupille	Bolzen	Perno	
6	3521075M91	2	Joint Universal	Cardan	Kardangelenk	Cardán	
7	354742X1	2	Bolt 1/2"Unf X 5/8"	Goupille	Bolzen	Perno	
8	6106905M91	2	Rod-Digger Control	Tringlerie	Gestänge	Tirantes, Conj.	
9	3520666M1	1	Pin W/ Spring Clip	Axe De Chape	Gabelstift	Eje De Brida	
10	3519590M1	1	Clevis LH Thread	Chape	Gabelverbindung	Brida	
11	3519650M1	1	Nut, Hex - M8, L/H Thread	Ecrou	Mutter	Tuerca	
12	#ROD	1	Rod	Rod	Rod	Rod	Ref. 8
13	339169X1	1	Nut, Hex. - M8, Coarse	Ecrou Métrique	Mutter Metrisch	Tuerca	
14	3517518M1	1	Ball Joint M8	Rotule	Kugelgelenk	Rotula	
15	394367X1	2	Nut, Hex. - Nyloc, M8	Ecrou Blocage M8	Flachmutter - M8	Tuerca De Retención	
16	6107371M91	2	Rod Assy. - ISO Digger Controls	Tringlerie	Gestänge	Tirantes, Conj.	
17	3520666M1	1	Pin W/ Spring Clip	Axe De Chape	Gabelstift	Eje De Brida	
18	3519590M1	1	Clevis LH Thread	Chape	Gabelverbindung	Brida	
19	3519650M1	1	Nut, Hex - M8, L/H Thread	Ecrou	Mutter	Tuerca	
20	#ROD	1	Rod	Rod	Rod	Rod	Ref. 16
21	339169X1	1	Nut, Hex. - M8, Coarse	Ecrou Métrique	Mutter Metrisch	Tuerca	
22	3517518M1	1	Ball Joint M8	Rotule	Kugelgelenk	Rotula	
23	394367X1	2	Nut, Hex. - Nyloc, M8	Ecrou Blocage M8	Flachmutter - M8	Tuerca De Retención	
24	6107130M91	1	Lever-Rh Digg.Control	Levier Ass.	Hebel Kplt	Palanca, Conj.	
25	6107131M91	1	Lever-Lh Digg.Control	Levier Ass.	Hebel Kplt	Palanca, Conj.	
26	3522621M5	2	Base Control Knob	Poignée De Levier	Griff	Empuñ. Palanca	
27	3019531X1	2	Pin - Roll	Goupille Elastique	Spannhulse	Pasador Elástico	
28	3522669M3	2	Knob Top Digg Cnt (Y)	Chapeau	Kappe	Sombbrero	
29	3516886M1	4	Screw C/Sk 1/4 Lng	Vis	Schraube	Tornillo	
30	6109905M1	2	Gaiter - Digger (Black)	Souf•et	Kofferraum	Fuelle	

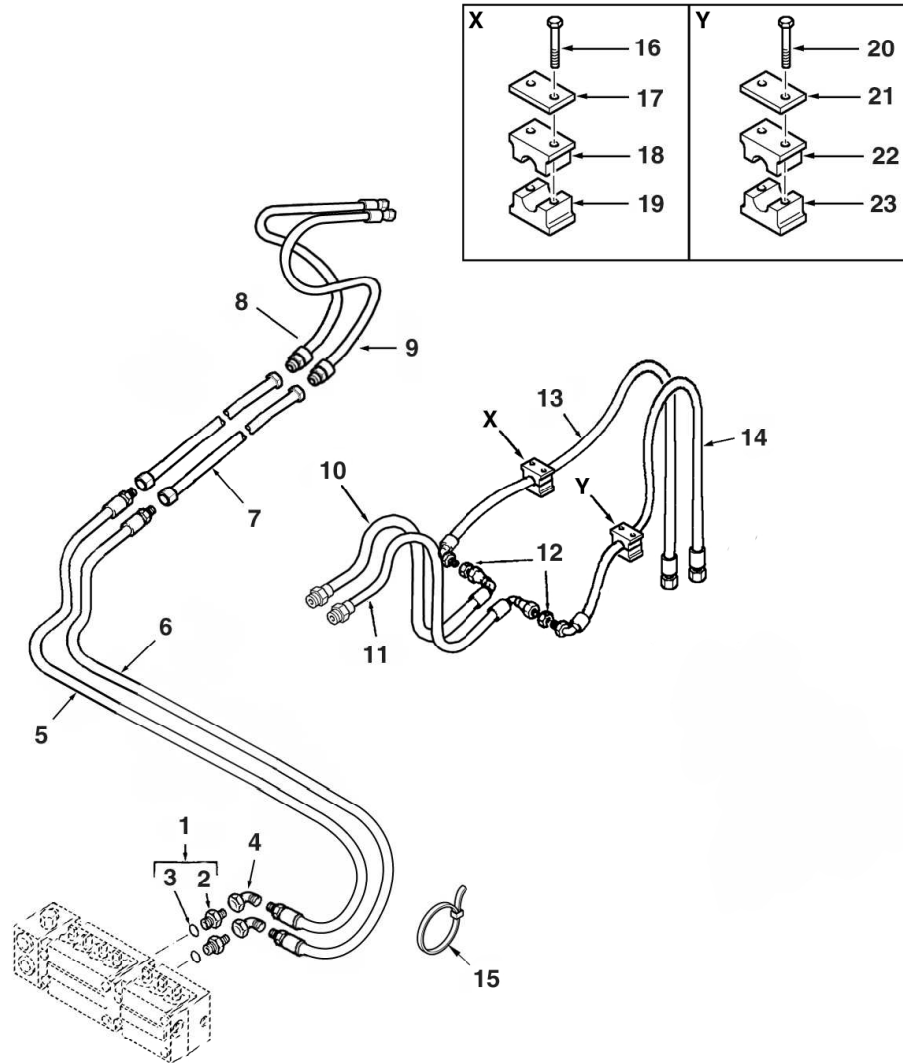




<b>Item</b>	<b>Part No.</b>	<b>Qty.</b>	<b>English</b>	<b>French</b>	<b>German</b>	<b>Spanish</b>	<b>Remarks</b>
31	6111103M1	1	Decal - Reversible Digger Controls	Decalcomanie	Aufkleber	Adhesivo	
32	6111107M1	1	Decal - Rod Con•guration	Decalcomanie	Aufkleber	Adhesivo	
33	6111108M1	1	Decal - Rod Con•guration	Decalcomanie	Aufkleber	Adhesivo	
34	3007920X1	4	Screw Pan Hd.M6 X 12	Vis	Schraube	Tornillo	



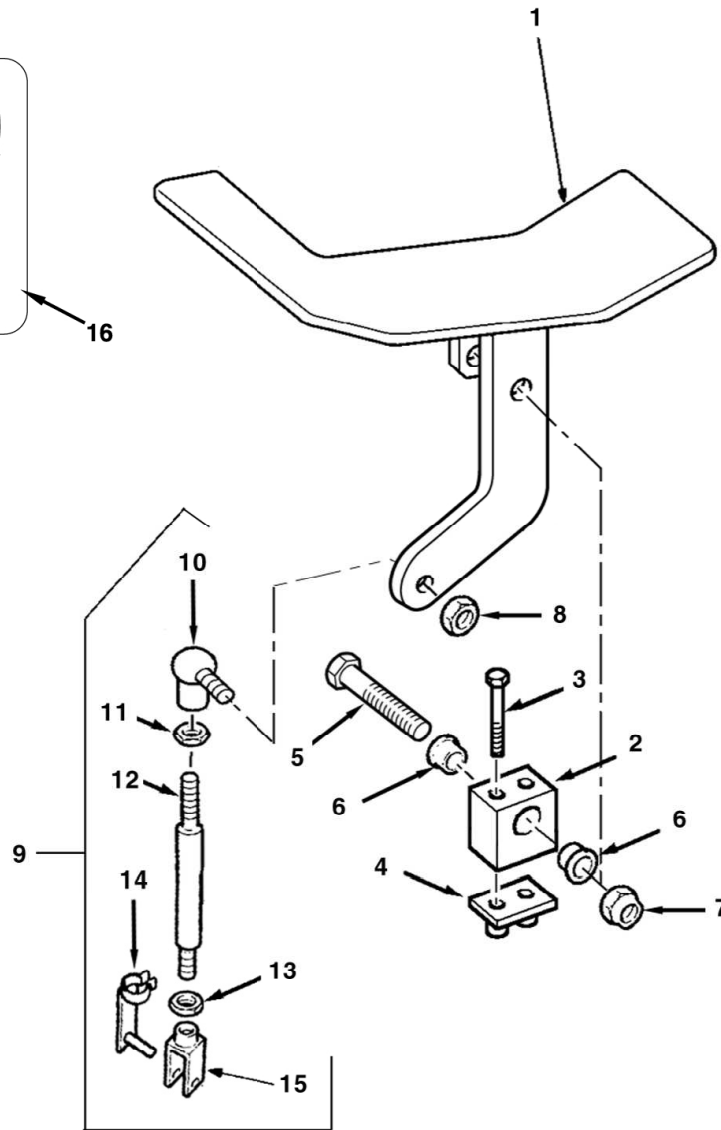
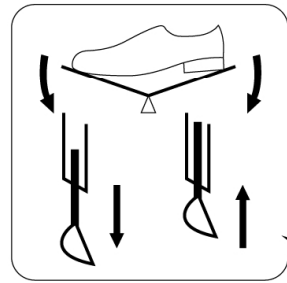
C-78010-01.1-A



Item	Part No.	Qty.	English	French	German	Spanish	Remarks
1	365715X91	2	Connector, Hydr.-Straight, 1 1/16 X 7/8	Borne	Doppelnippel	Conexión, Conj.	
2	#CONNECTOR	1	Connector	Connector	Connector	Connector	Ref. 1
3	835025M1	1	Ring O	Joint Torique	O Ring	Junta De Tipo O	
4	373784X1	2	Elbow 45deg	Coude, 45	Kniestück, 45	Codo	
5	6108764M91	1	Hose Assy Dark Green	Flexible Ass.	Schlauch Kplt	Flexible, Conj.	
6	6108765M91	1	Hose Assy - "Black"	Flexible Ass.	Schlauch Kplt	Flexible, Conj.	
7	6101773M91	2	Tube-Ex'hoe 4.5 Boom	Tuyo	Leitung, Kplt.	Conjunto De Tubería	
8	6101741M91	1	Hose-Extendahoe Head	Flexible	Schlauch	Flexible, Conj.	Dark Green
9	6101757M91	1	Hose-Extendahoe Rod	Flexible	Schlauch	Flexible, Conj.	Black
10	6101739M91	1	Hose-Bucket Rod	Flexible	Schlauch	Flexible, Conj.	Brown
11	6101740M91	1	Hose-Bucket Head	Flexible	Schlauch	Flexible, Conj.	White
12	355574X1	2	Nut, Hex. - 7/8" Unf, Lock	Ecrou 7/8" Unf	Mutter 7/8" Unf	Tuerca	
13	6101007M91	1	Hose-Cylinder-Bucket	Flexible Ass.	Schlauch Kplt	Flexible, Conj.	Brown
14	6101008M91	1	Hose-Cylinder-Bucket	Flexible	Schlauch	Flexible, Conj.	White
15	1664405M1	2	Tie Mm T50s	Attache Cable	Kabelbinder	Enlace De Cable	
16	339229X1	2	Bolt M6-40 Z5s Lk	Boulon M6 X 40	Schraube M6 X 40	Tornillo	
17	1462583M1	1	Plate-Clamp	Plaque	Platte	Placa	
18	6102170M1	1	Clamp-Tube	Collier De Serrage	Klemme	Brida De Fijación	
19	6102170M1	1	Clamp-Tube	Collier De Serrage	Klemme	Brida De Fijación	
20	339229X1	2	Bolt M6-40 Z5s Lk	Boulon M6 X 40	Schraube M6 X 40	Tornillo	
21	1462583M1	1	Plate-Clamp	Plaque	Platte	Placa	
22	6102788M1	1	Fixing Bracket	Patte Fixation	Halter	Brida De Fijación	
23	6102788M1	1	Fixing Bracket	Patte Fixation	Halter	Brida De Fijación	



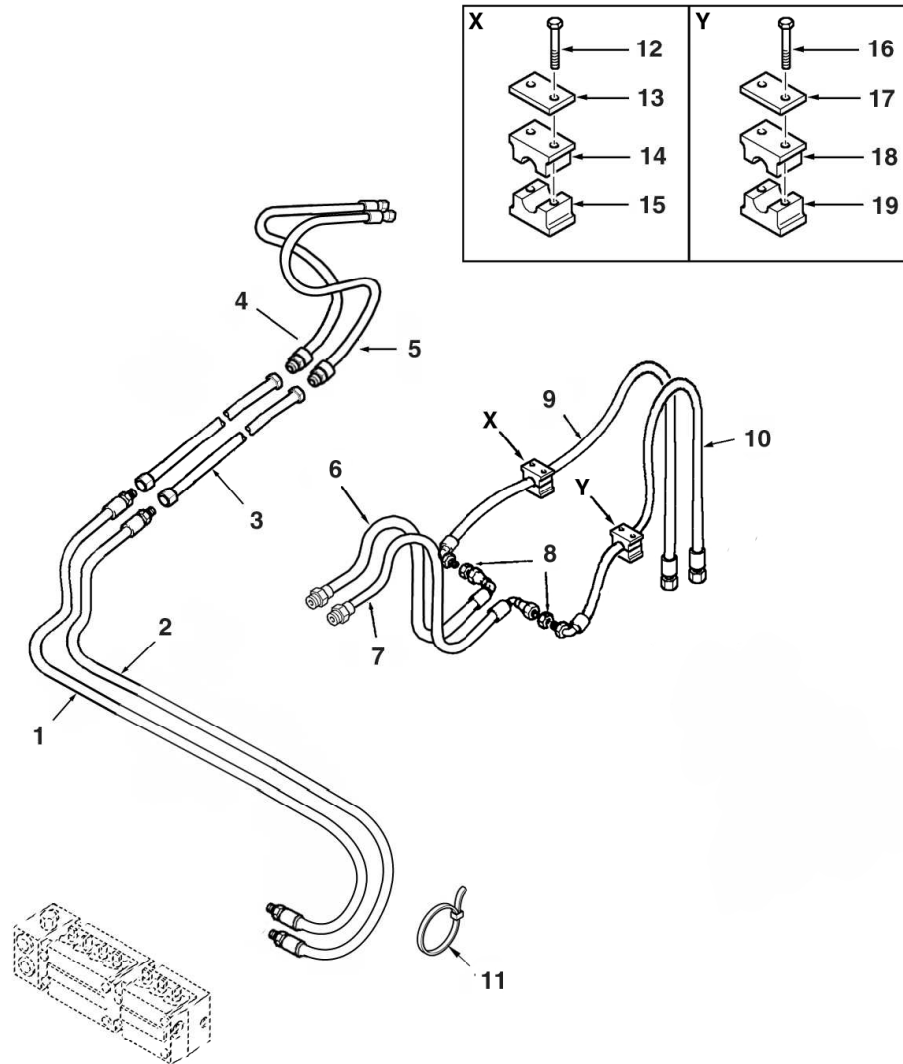
C-78010-02.1-B





Item	Part No.	Qty.	English	French	German	Spanish	Remarks
1	6106874M91	1	Pedal-Ext.Hoe	Ensemble De Pédale	Pedal	Pedal, Conj.	
2	6106734M1	1	Block-Nylon Pivot	Bloc Pivot	Drehzapfen	Pivote	
3	3001758X1	2	Screw M6-50 Sz8 Hex	Goupille	Bolzen M6 X 50	Tornillo	
4	3519538M1	1	Plate Base	Plaque De Base	Grundplatte	Placa De Base	
5	339679X1	1	Bolt M10x60	Vis	Schraube	Perno	
6	6106866M1	2	Bush-Ext. Hoe	Douille	Büchse	Anillo	
7	1440329X1	1	Nut, Hex. - Nyloc, M10	Ecrou Blocage	Flachmutter M10	Tuerca De Retención	
8	394367X1	1	Nut, Hex. - Nyloc, M8	Ecrou Blocage M8	Flachmutter - M8	Tuerca De Retención	
9	6106724M92	1	Rod-Exthoe	Tringlerie	Gestänge	Tirantes, Conj.	
10	3517518M1	1	Ball Joint M8	Rotule	Kugelgelenk	Rotula	
11	339169X1	1	Nut, Hex. - M8, Coarse	Ecrou Métrique	Mutter Metrisch	Tuerca	
12	#ROD	1	Rod	Rod	Rod	Rod	Ref. 9
13	3519650M1	1	Nut, Hex - M8, L/H Thread	Ecrou	Mutter	Tuerca	
14	3520666M1	1	Pin W/ Spring Clip	Axe De Chape	Gabelstift	Eje De Brida	
15	3519590M1	1	Clevis LH Thread	Chape	Gabelverbindung	Brida	
16	6101865M2	1	Decal - Extendahoe	Adhésif	Aufkleber	Adhesivo	

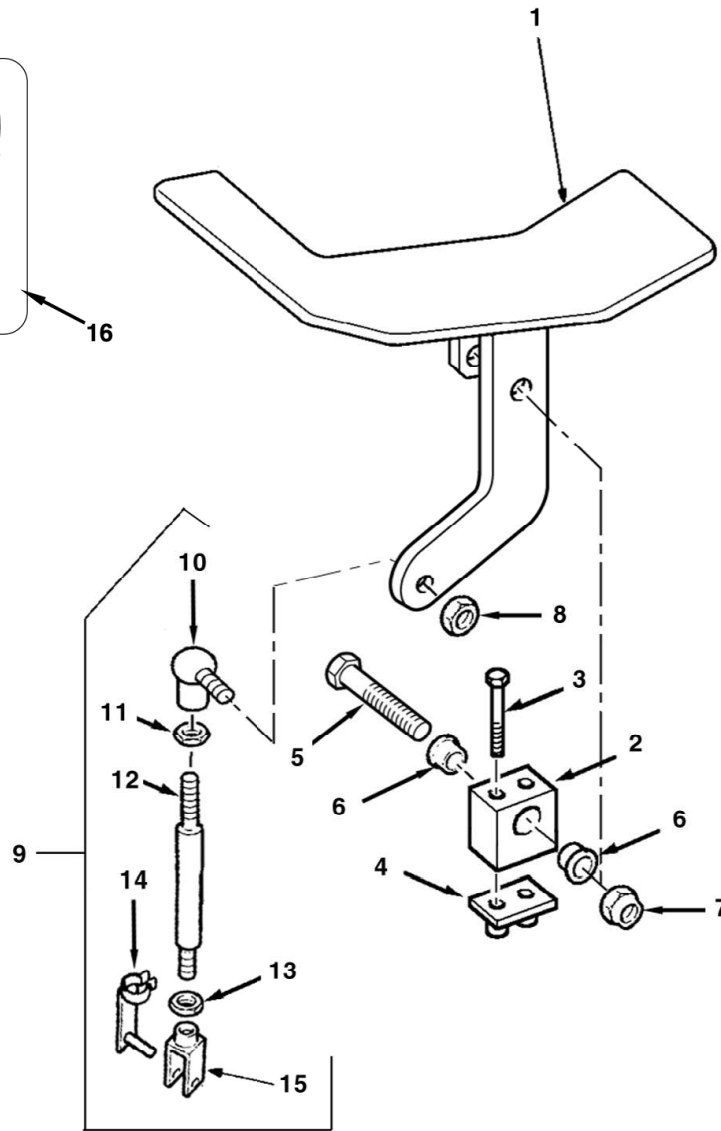
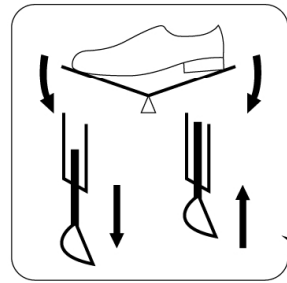
C-78011-01.1-A



Item	Part No.	Qty.	English	French	German	Spanish	Remarks
1	6108764M91	1	Hose Assy Dark Green	Flexible Ass.	Schlauch Kplt	Flexible, Conj.	
2	6108765M91	1	Hose Assy - "Black"	Flexible Ass.	Schlauch Kplt	Flexible, Conj.	
3	6101773M91	2	Tube-Ex'hoe 4.5 Boom	Tuyo	Leitung, Kpl.	Conjunto De Tubería	
4	6101741M91	1	Hose-Extendahoe Head	Flexible	Schlauch	Flexible, Conj.	Dark Green
5	6101757M91	1	Hose-Extendahoe Rod	Flexible	Schlauch	Flexible, Conj.	Black
6	6101739M91	1	Hose-Bucket Rod	Flexible	Schlauch	Flexible, Conj.	Brown
7	6101740M91	1	Hose-Bucket Head	Flexible	Schlauch	Flexible, Conj.	White
8	355574X1	2	Nut, Hex. - 7/8" Unf, Lock	Ecrou 7/8" Unf	Mutter 7/8" Unf	Tuerca	
9	6101007M91	1	Hose-Cylinder-Bucket	Flexible Ass.	Schlauch Kplt	Flexible, Conj.	Brown
10	6101008M91	1	Hose-Cylinder-Bucket	Flexible	Schlauch	Flexible, Conj.	White
11	1664405M1	0	Tie Mm T50s	Attache Cable	Kabelbinder	Enlace De Cable	
12	339229X1	2	Bolt M6-40 Z5s Lk	Boulon M6 X 40	Schraube M6 X 40	Tornillo	
13	1462583M1	1	Plate-Clamp	Plaque	Platte	Placa	
14	6102170M1	1	Clamp-Tube	Collier De Serrage	Klemme	Brida De Fijación	
15	6102170M1	1	Clamp-Tube	Collier De Serrage	Klemme	Brida De Fijación	
16	339229X1	2	Bolt M6-40 Z5s Lk	Boulon M6 X 40	Schraube M6 X 40	Tornillo	
17	1462583M1	1	Plate-Clamp	Plaque	Platte	Placa	
18	6102788M1	1	Fixing Bracket	Patte Fixation	Halter	Brida De Fijación	
19	6102788M1	1	Fixing Bracket	Patte Fixation	Halter	Brida De Fijación	



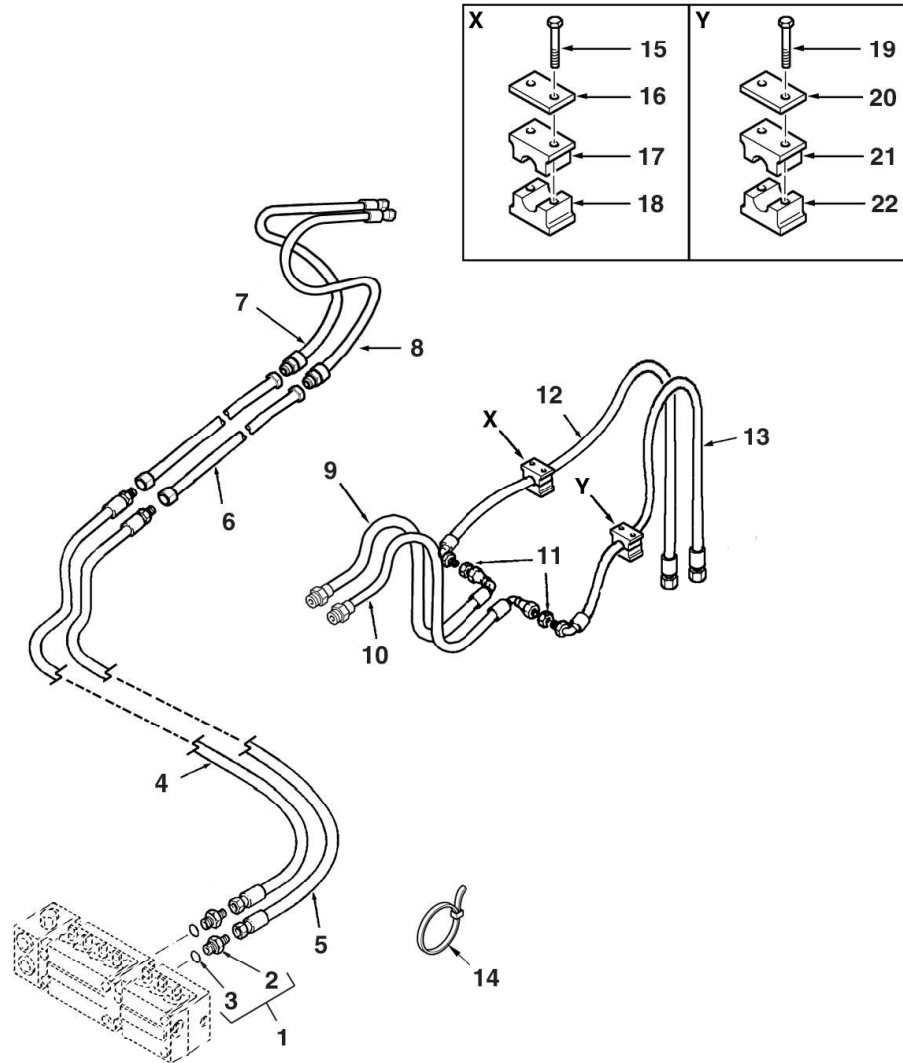
C-78011-02.1-B



Item	Part No.	Qty.	English	French	German	Spanish	Remarks
1	6106874M91	1	Pedal-Ext.Hoe	Ensemble De Pédale	Pedal	Pedal, Conj.	
2	6106734M1	1	Block-Nylon Pivot	Bloc Pivot	Drehzapfen	Pivote	
3	3001758X1	2	Screw M6-50 Sz8 Hex	Goupille	Bolzen M6 X 50	Tornillo	
4	3519538M1	1	Plate Base	Plaque De Base	Grundplatte	Placa De Base	
5	339679X1	1	Bolt M10x60	Vis	Schraube	Perno	
6	6106866M1	2	Bush-Ext. Hoe	Douille	Büchse	Anillo	
7	1440329X1	1	Nut, Hex. - Nyloc, M10	Ecrou Blocage	Flachmutter M10	Tuerca De Retención	
8	394367X1	1	Nut, Hex. - Nyloc, M8	Ecrou Blocage M8	Flachmutter - M8	Tuerca De Retención	
9	6106724M92	1	Rod-Exthoe	Tringlerie	Gestänge	Tirantes, Conj.	
10	3517518M1	1	Ball Joint M8	Rotule	Kugelgelenk	Rotula	
11	339169X1	1	Nut, Hex. - M8, Coarse	Ecrou Métrique	Mutter Metrisch	Tuerca	
12	#ROD	1	Rod	Rod	Rod	Rod	Ref.9
13	3519650M1	1	Nut, Hex - M8, L/H Thread	Ecrou	Mutter	Tuerca	
14	3520666M1	1	Pin W/ Spring Clip	Axe De Chape	Gabelstift	Eje De Brida	
15	3519590M1	1	Clevis LH Thread	Chape	Gabelverbindung	Brida	
16	6101865M2	1	Decal - Extendahoe	Adhésif	Aufkleber	Adhesivo	



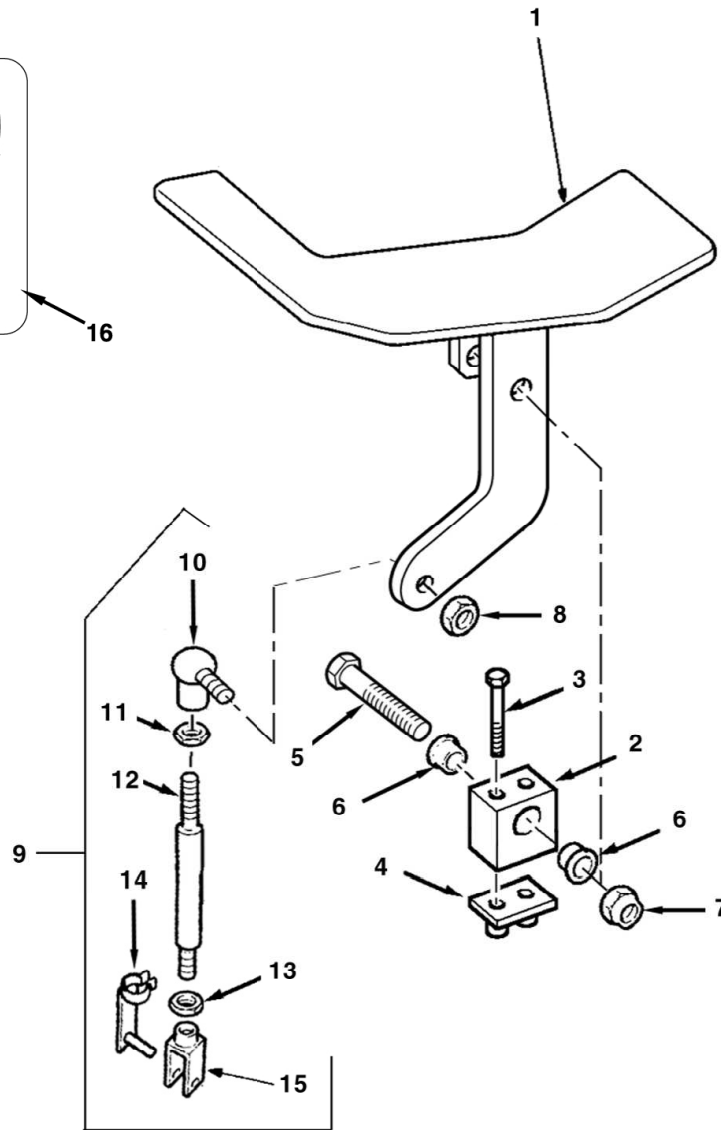
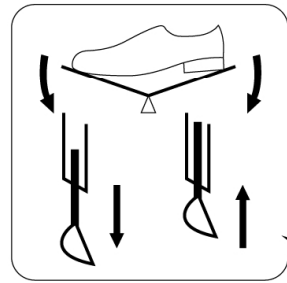
C-78012-01.1-A



Item	Part No.	Qty.	English	French	German	Spanish	Remarks
1	365715X91	2	Connector, Hydr.-Straight, 1 1/16 X 7/8	Borne	Doppelnippel	Conexión, Conj.	
2	#CONNECTOR	1	Connector	Connector	Connector	Connector	Ref. 1
3	835025M1	1	Ring O	Joint Torique	O Ring	Junta De Tipo O	
4	6107464M93	1	Hose Cm Extendahoe	Flexible Ass.	Schlauch Kplt	Flexible, Conj.	Dark Green
5	6107465M92	1	Hose-Cm Extendahoe	Flexible	Schlauch	Flexible, Conj.	Black
6	6101773M91	2	Tube-Ex'hoe 4.5 Boom	Tuyo	Leitung, Kpl.	Conjunto De Tubería	
7	6101741M91	1	Hose-Extendahoe Head	Flexible	Schlauch	Flexible, Conj.	Dark Green
8	6101757M91	1	Hose-Extendahoe Rod	Flexible	Schlauch	Flexible, Conj.	Black
9	6101739M91	1	Hose-Bucket Rod	Flexible	Schlauch	Flexible, Conj.	Brown
10	6101740M91	1	Hose-Bucket Head	Flexible	Schlauch	Flexible, Conj.	White
11	355574X1	2	Nut, Hex. - 7/8" Unf, Lock	Ecrou 7/8" Unf	Mutter 7/8" Unf	Tuerca	
12	6101007M91	1	Hose-Cylinder-Bucket	Flexible Ass.	Schlauch Kplt	Flexible, Conj.	Brown
13	6101008M91	1	Hose-Cylinder-Bucket	Flexible	Schlauch	Flexible, Conj.	White
14	1664405M1	2	Tie Mm T50s	Attache Cable	Kabelbinder	Enlace De Cable	
15	339229X1	2	Bolt M6-40 Z5s Lk	Boulon M6 X 40	Schraube M6 X 40	Tornillo	
16	1462583M1	1	Plate-Clamp	Plaque	Platte	Placa	
17	6102170M1	1	Clamp-Tube	Collier De Serrage	Klemme	Brida De Fijación	
18	6102170M1	1	Clamp-Tube	Collier De Serrage	Klemme	Brida De Fijación	
19	339229X1	2	Bolt M6-40 Z5s Lk	Boulon M6 X 40	Schraube M6 X 40	Tornillo	
20	1462583M1	1	Plate-Clamp	Plaque	Platte	Placa	
21	6102788M1	1	Fixing Bracket	Patte Fixation	Halter	Brida De Fijación	
22	6102788M1	1	Fixing Bracket	Patte Fixation	Halter	Brida De Fijación	



C-78012-02.1-B

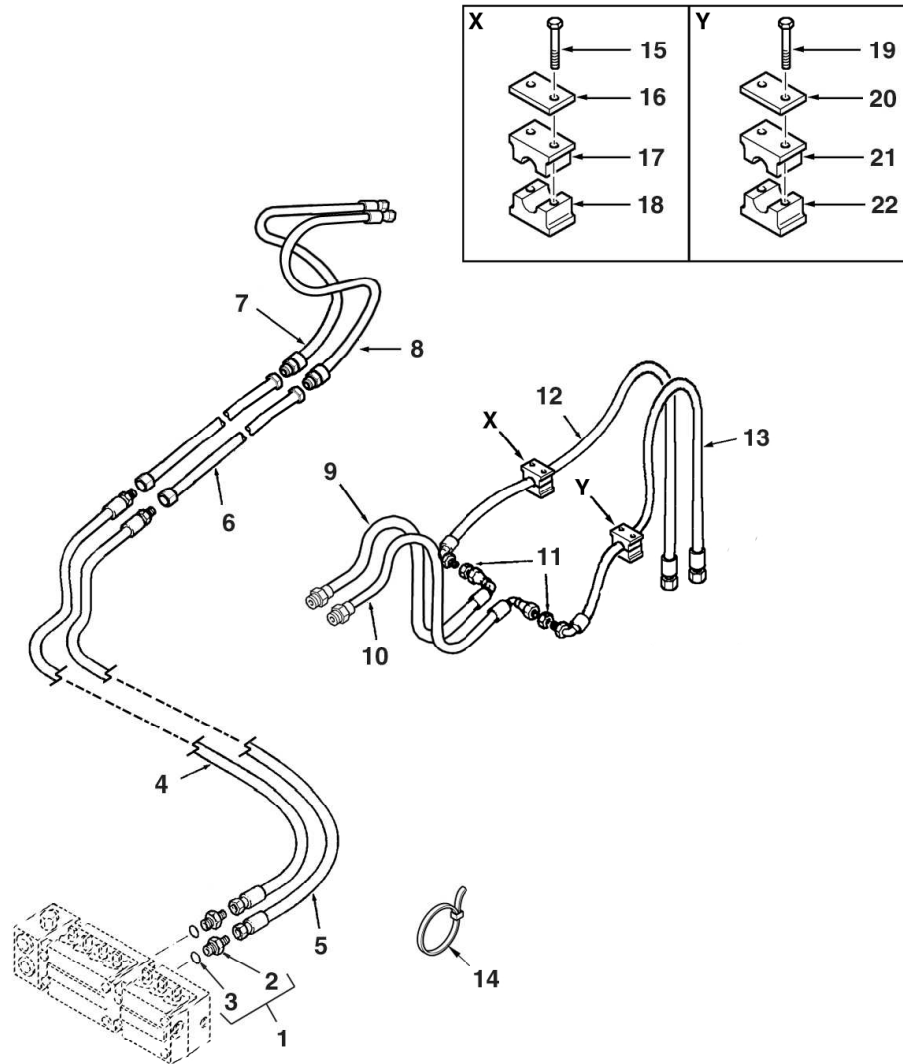




Item	Part No.	Qty.	English	French	German	Spanish	Remarks
1	6106874M91	1	Pedal-Ext.Hoe	Ensemble De Pédale	Pedal	Pedal, Conj.	
2	6106734M1	1	Block-Nylon Pivot	Bloc Pivot	Drehzapfen	Pivote	
3	3001758X1	2	Screw M6-50 Sz8 Hex	Goupille	Bolzen M6 X 50	Tornillo	
4	3519538M1	1	Plate Base	Plaque De Base	Grundplatte	Placa De Base	
5	339679X1	1	Bolt M10x60	Vis	Schraube	Perno	
6	6106866M1	2	Bush-Ext. Hoe	Douille	Büchse	Anillo	
7	1440329X1	1	Nut, Hex. - Nyloc, M10	Ecrou Blocage	Flachmutter M10	Tuerca De Retención	
8	394367X1	1	Nut, Hex. - Nyloc, M8	Ecrou Blocage M8	Flachmutter - M8	Tuerca De Retención	
9	6106724M92	1	Rod-Exthoe	Tringlerie	Gestänge	Tirantes, Conj.	
10	3517518M1	1	Ball Joint M8	Rotule	Kugelgelenk	Rotula	
11	339169X1	1	Nut, Hex. - M8, Coarse	Ecrou Métrique	Mutter Metrisch	Tuerca	
12	#ROD	1	Rod	Rod	Rod	Rod	Ref. 9
13	3519650M1	1	Nut, Hex - M8, L/H Thread	Ecrou	Mutter	Tuerca	
14	3520666M1	1	Pin W/ Spring Clip	Axe De Chape	Gabelstift	Eje De Brida	
15	3519590M1	1	Clevis LH Thread	Chape	Gabelverbindung	Brida	
16	6101865M2	1	Decal - Extendahoe	Adhésif	Aufkleber	Adhesivo	



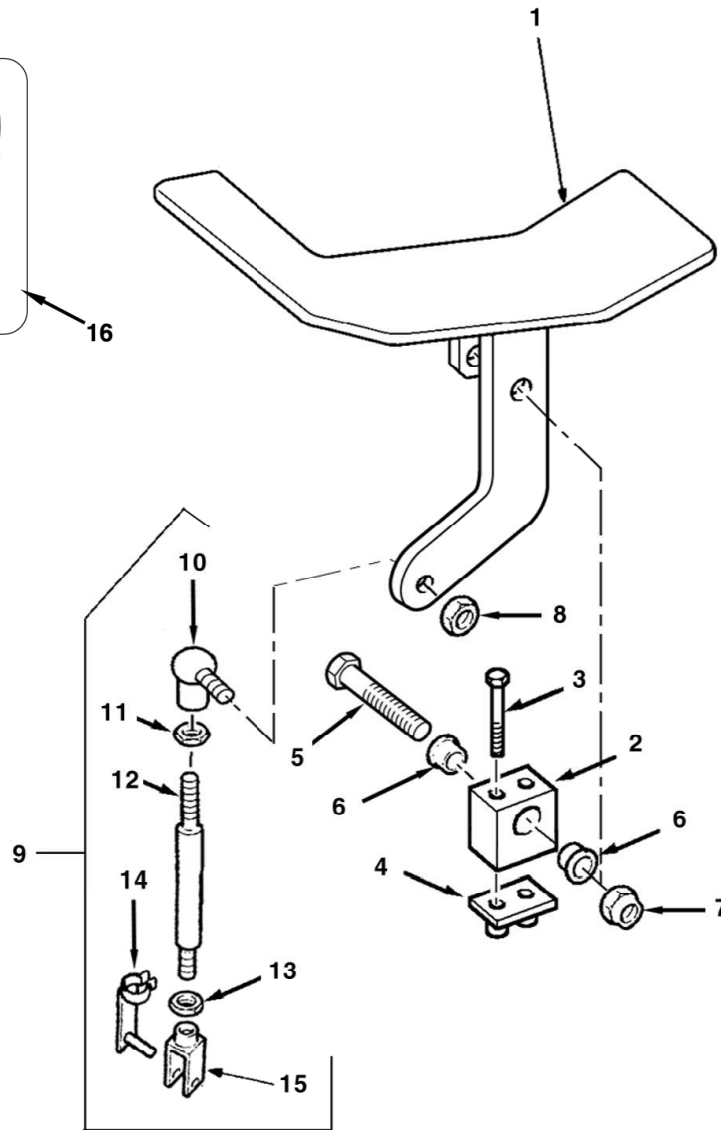
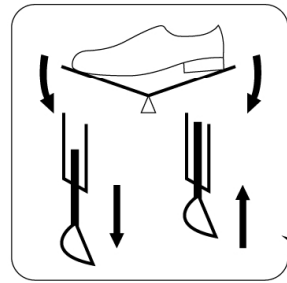
C-78013-01.1-A



Item	Part No.	Qty.	English	French	German	Spanish	Remarks
1	365715X91	2	Connector, Hydr.-Straight, 1 1/16 X 7/8	Borne	Doppelnippel	Conexión, Conj.	
2	#CONNECTOR	1	Connector	Connector	Connector	Connector	Ref. 1
3	835025M1	1	Ring O	Joint Torique	O Ring	Junta De Tipo O	
4	6107464M93	1	Hose Cm Extendahoe	Flexible Ass.	Schlauch Kplt	Flexible, Conj.	Dark Green
5	6107465M92	1	Hose-Cm Extendahoe	Flexible	Schlauch	Flexible, Conj.	Black
6	6101734M91	2	Tube-Ex Hoe 4.9 Cm Boom	Tuyo	Leitung, Kpl.	Conjunto De Tubería	
7	6101741M91	1	Hose-Extendahoe Head	Flexible	Schlauch	Flexible, Conj.	Dark Green
8	6101757M91	1	Hose-Extendahoe Rod	Flexible	Schlauch	Flexible, Conj.	Black
9	6101739M91	1	Hose-Bucket Rod	Flexible	Schlauch	Flexible, Conj.	Brown
10	6101740M91	1	Hose-Bucket Head	Flexible	Schlauch	Flexible, Conj.	White
11	355574X1	2	Nut, Hex. - 7/8" Unf, Lock	Ecrou 7/8" Unf	Mutter 7/8" Unf	Tuerca	
12	6101007M91	1	Hose-Cylinder-Bucket	Flexible Ass.	Schlauch Kplt	Flexible, Conj.	Brown
13	6101008M91	1	Hose-Cylinder-Bucket	Flexible	Schlauch	Flexible, Conj.	White
14	1664405M1	2	Tie Mm T50s	Attache Cable	Kabelbinder	Enlace De Cable	
15	339229X1	2	Bolt M6-40 Z5s Lk	Boulon M6 X 40	Schraube M6 X 40	Tornillo	
16	1462583M1	1	Plate-Clamp	Plaque	Platte	Placa	
17	6102170M1	1	Clamp-Tube	Collier De Serrage	Klemme	Brida De Fijación	
18	6102170M1	1	Clamp-Tube	Collier De Serrage	Klemme	Brida De Fijación	
19	339229X1	2	Bolt M6-40 Z5s Lk	Boulon M6 X 40	Schraube M6 X 40	Tornillo	
20	1462583M1	1	Plate-Clamp	Plaque	Platte	Placa	
21	6102788M1	1	Fixing Bracket	Patte Fixation	Halter	Brida De Fijación	
22	6102788M1	1	Fixing Bracket	Patte Fixation	Halter	Brida De Fijación	



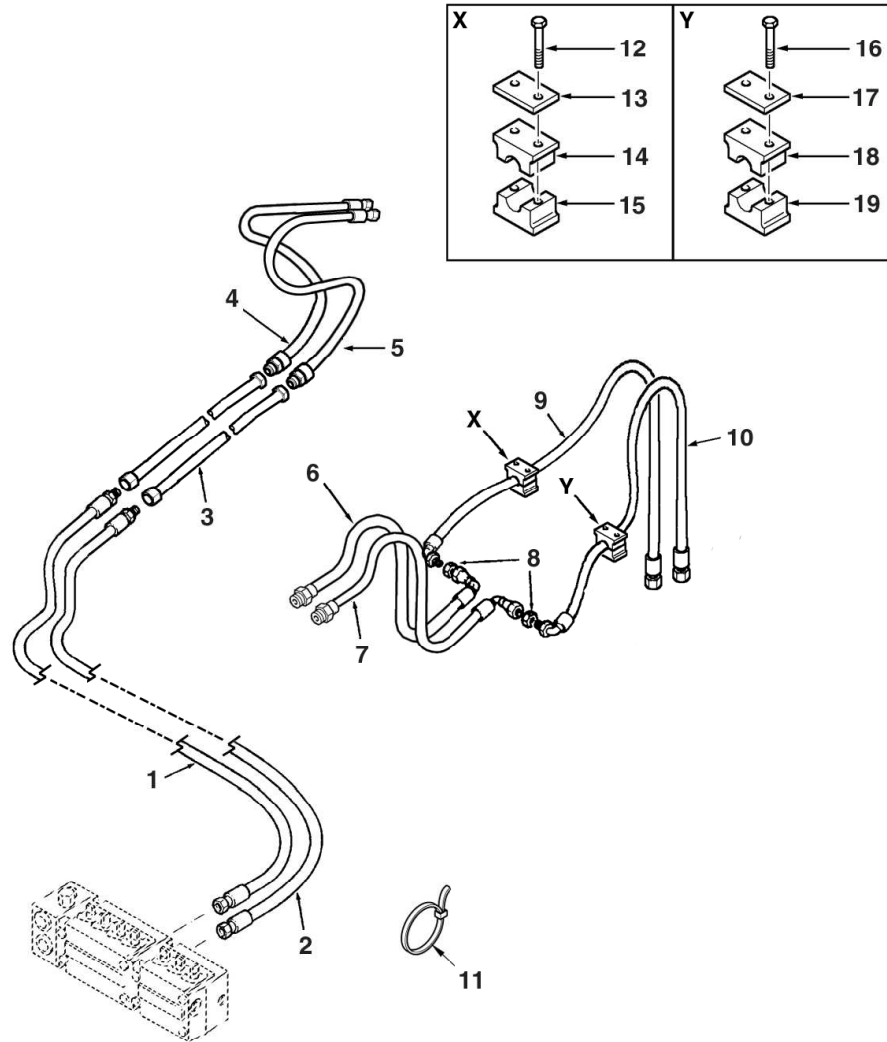
C-78013-02.1-B



Item	Part No.	Qty.	English	French	German	Spanish	Remarks
1	6106874M91	1	Pedal-Ext.Hoe	Ensemble De Pédale	Pedal	Pedal, Conj.	
2	6106734M1	1	Block-Nylon Pivot	Bloc Pivot	Drehzapfen	Pivote	
3	3001758X1	2	Screw M6-50 Sz8 Hex	Goupille	Bolzen M6 X 50	Tornillo	
4	3519538M1	1	Plate Base	Plaque De Base	Grundplatte	Placa De Base	
5	339679X1	1	Bolt M10x60	Vis	Schraube	Perno	
6	6106866M1	2	Bush-Ext. Hoe	Douille	Büchse	Anillo	
7	1440329X1	1	Nut, Hex. - Nyloc, M10	Ecrou Blocage	Flachmutter M10	Tuerca De Retención	
8	394367X1	1	Nut, Hex. - Nyloc, M8	Ecrou Blocage M8	Flachmutter - M8	Tuerca De Retención	
9	6106724M92	1	Rod-Exthoe	Tringlerie	Gestänge	Tirantes, Conj.	
10	3517518M1	1	Ball Joint M8	Rotule	Kugelgelenk	Rotula	
11	339169X1	1	Nut, Hex. - M8, Coarse	Ecrou Métrique	Mutter Metrisch	Tuerca	
12	#ROD	1	Rod	Rod	Rod	Rod	Ref. 9
13	3519650M1	1	Nut, Hex - M8, L/H Thread	Ecrou	Mutter	Tuerca	
14	3520666M1	1	Pin W/ Spring Clip	Axe De Chape	Gabelstift	Eje De Brida	
15	3519590M1	1	Clevis LH Thread	Chape	Gabelverbindung	Brida	
16	6101865M2	1	Decal - Extendahoe	Adhésif	Aufkleber	Adhesivo	



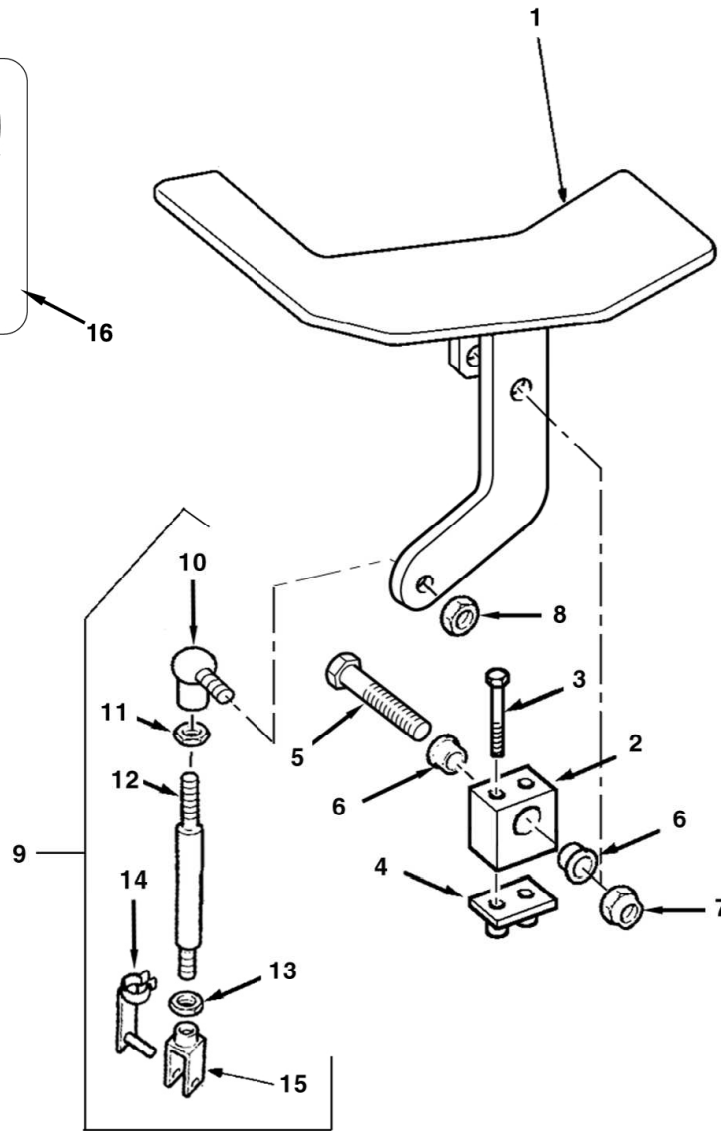
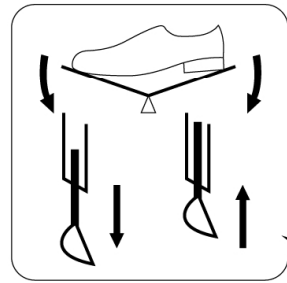
C-78014-01.1-A



Item	Part No.	Qty.	English	French	German	Spanish	Remarks
1	6107464M93	1	Hose Cm Extendahoe	Flexible Ass.	Schlauch Kplt	Flexible, Conj.	Dark Green
2	6107465M92	1	Hose-Cm Extendahoe	Flexible	Schlauch	Flexible, Conj.	Black
3	6101773M91	2	Tube-Ex'hoe 4.5 Boom	Tuyo	Leitung, Kpl.	Conjunto De Tubería	
4	6101741M91	1	Hose-Extendahoe Head	Flexible	Schlauch	Flexible, Conj.	Dark Green
5	6101757M91	1	Hose-Extendahoe Rod	Flexible	Schlauch	Flexible, Conj.	Black
6	6101739M91	1	Hose-Bucket Rod	Flexible	Schlauch	Flexible, Conj.	Brown
7	6101740M91	1	Hose-Bucket Head	Flexible	Schlauch	Flexible, Conj.	White
8	355574X1	2	Nut, Hex. - 7/8" Unf, Lock	Ecrou 7/8" Unf	Mutter 7/8" Unf	Tuerca	
9	6101007M91	1	Hose-Cylinder-Bucket	Flexible Ass.	Schlauch Kplt	Flexible, Conj.	Brown
10	6101008M91	1	Hose-Cylinder-Bucket	Flexible	Schlauch	Flexible, Conj.	White
11	1664405M1	2	Tie Mm T50s	Attache Cable	Kabelbinder	Enlace De Cable	
12	339229X1	2	Bolt M6-40 Z5s Lk	Boulon M6 X 40	Schraube M6 X 40	Tornillo	
13	1462583M1	1	Plate-Clamp	Plaque	Platte	Placa	
14	6102170M1	1	Clamp-Tube	Collier De Serrage	Klemme	Brida De Fijación	
15	6102170M1	1	Clamp-Tube	Collier De Serrage	Klemme	Brida De Fijación	
16	339229X1	2	Bolt M6-40 Z5s Lk	Boulon M6 X 40	Schraube M6 X 40	Tornillo	
17	1462583M1	1	Plate-Clamp	Plaque	Platte	Placa	
18	6102788M1	1	Fixing Bracket	Patte Fixation	Halter	Brida De Fijación	
19	6102788M1	1	Fixing Bracket	Patte Fixation	Halter	Brida De Fijación	



C-78014-02.1-B

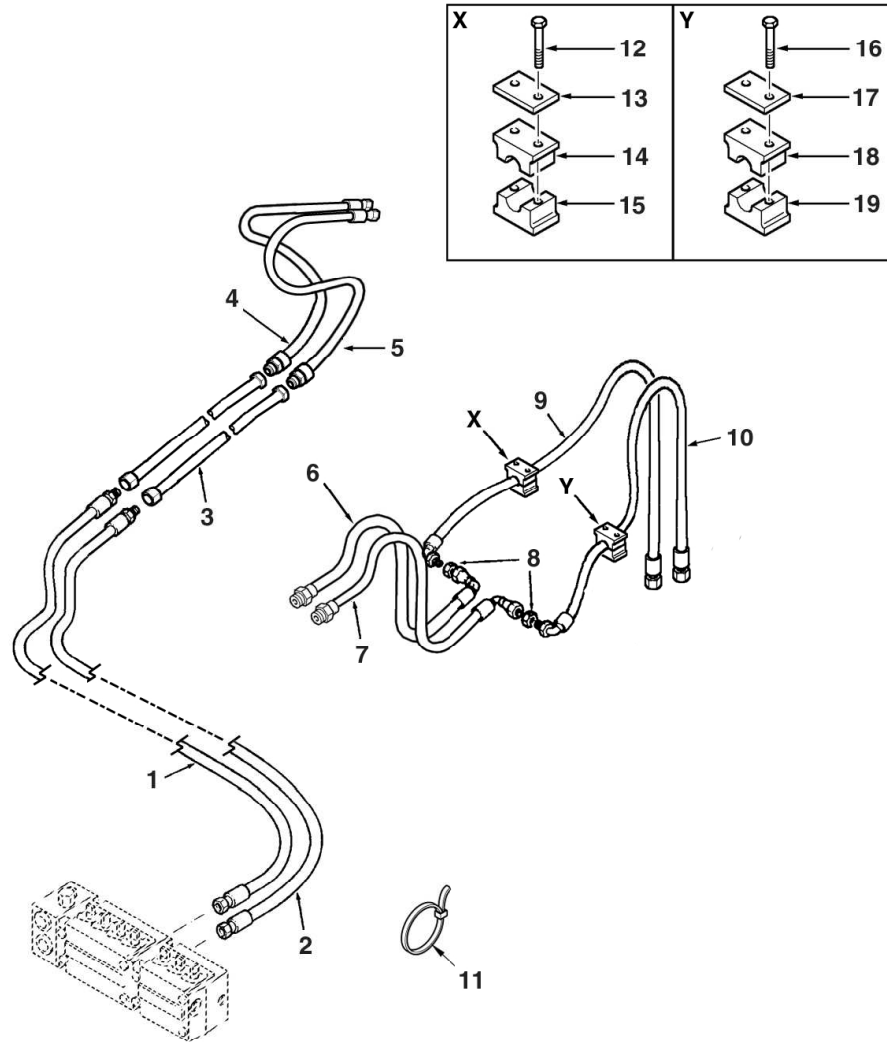




Item	Part No.	Qty.	English	French	German	Spanish	Remarks
1	6106874M91	1	Pedal-Ext.Hoe	Ensemble De Pédale	Pedal	Pedal, Conj.	
2	6106734M1	1	Block-Nylon Pivot	Bloc Pivot	Drehzapfen	Pivote	
3	3001758X1	2	Screw M6-50 Sz8 Hex	Goupille	Bolzen M6 X 50	Tornillo	
4	3519538M1	1	Plate Base	Plaque De Base	Grundplatte	Placa De Base	
5	339679X1	1	Bolt M10x60	Vis	Schraube	Perno	
6	6106866M1	2	Bush-Ext. Hoe	Douille	Büchse	Anillo	
7	1440329X1	1	Nut, Hex. - Nyloc, M10	Ecrou Blocage	Flachmutter M10	Tuerca De Retención	
8	394367X1	1	Nut, Hex. - Nyloc, M8	Ecrou Blocage M8	Flachmutter - M8	Tuerca De Retención	
9	6106724M92	1	Rod-Exthoe	Tringlerie	Gestänge	Tirantes, Conj.	
10	3517518M1	1	Ball Joint M8	Rotule	Kugelgelenk	Rotula	
11	339169X1	1	Nut, Hex. - M8, Coarse	Ecrou Métrique	Mutter Metrisch	Tuerca	
12	#ROD	1	Rod	Rod	Rod	Rod	Ref. 9
13	3519650M1	1	Nut, Hex - M8, L/H Thread	Ecrou	Mutter	Tuerca	
14	3520666M1	1	Pin W/ Spring Clip	Axe De Chape	Gabelstift	Eje De Brida	
15	3519590M1	1	Clevis LH Thread	Chape	Gabelverbindung	Brida	
16	6101865M2	1	Decal - Extendahoe	Adhésif	Aufkleber	Adhesivo	



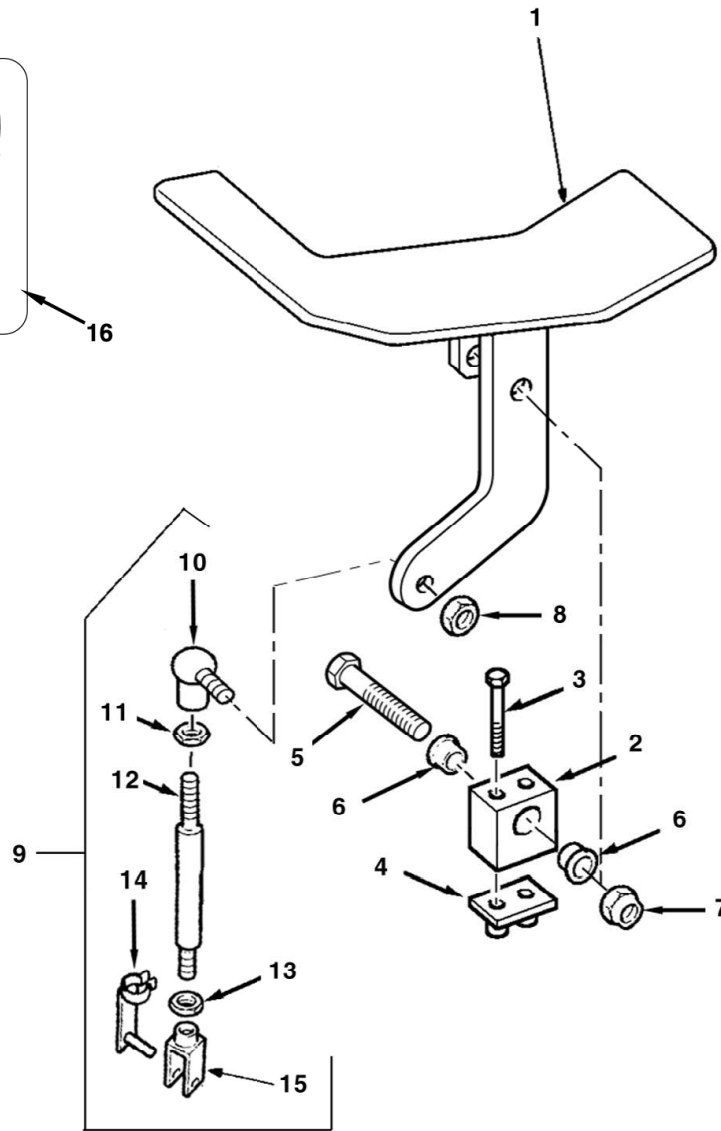
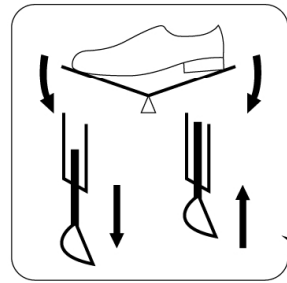
C-78015-01.1-A



Item	Part No.	Qty.	English	French	German	Spanish	Remarks
1	6107464M93	1	Hose Cm Extendahoe	Flexible Ass.	Schlauch Kplt	Flexible, Conj.	Dark Green
2	6107465M92	1	Hose-Cm Extendahoe	Flexible	Schlauch	Flexible, Conj.	Black
3	6101734M91	2	Tube-Ex Hoe 4.9 Cm Boom	Tuyo	Leitung, Kplt.	Conjunto De Tubería	
4	6101741M91	1	Hose-Extendahoe Head	Flexible	Schlauch	Flexible, Conj.	Dark Green
5	6101757M91	1	Hose-Extendahoe Rod	Flexible	Schlauch	Flexible, Conj.	Black
6	6101739M91	1	Hose-Bucket Rod	Flexible	Schlauch	Flexible, Conj.	Brown
7	6101740M91	1	Hose-Bucket Head	Flexible	Schlauch	Flexible, Conj.	White
8	355574X1	2	Nut, Hex. - 7/8" Unf, Lock	Ecrou 7/8" Unf	Mutter 7/8" Unf	Tuerca	
9	6101007M91	1	Hose-Cylinder-Bucket	Flexible Ass.	Schlauch Kplt	Flexible, Conj.	Brown
10	6101008M91	1	Hose-Cylinder-Bucket	Flexible	Schlauch	Flexible, Conj.	White
11	1664405M1	2	Tie Mm T50s	Attache Cable	Kabelbinder	Enlace De Cable	
12	339229X1	2	Bolt M6-40 Z5s Lk	Boulon M6 X 40	Schraube M6 X 40	Tornillo	
13	1462583M1	1	Plate-Clamp	Plaque	Platte	Placa	
14	6102170M1	1	Clamp-Tube	Collier De Serrage	Klemme	Brida De Fijación	
15	6102170M1	1	Clamp-Tube	Collier De Serrage	Klemme	Brida De Fijación	
16	339229X1	2	Bolt M6-40 Z5s Lk	Boulon M6 X 40	Schraube M6 X 40	Tornillo	
17	1462583M1	1	Plate-Clamp	Plaque	Platte	Placa	
18	6102788M1	1	Fixing Bracket	Patte Fixation	Halter	Brida De Fijación	
19	6102788M1	1	Fixing Bracket	Patte Fixation	Halter	Brida De Fijación	



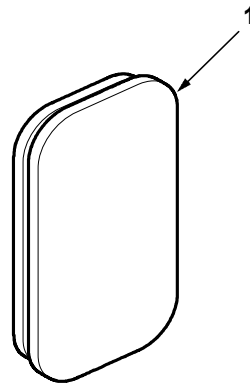
C-78015-02.1-B



Item	Part No.	Qty.	English	French	German	Spanish	Remarks
1	6106874M91	1	Pedal-Ext.Hoe	Ensemble De Pédale	Pedal	Pedal, Conj.	
2	6106734M1	1	Block-Nylon Pivot	Bloc Pivot	Drehzapfen	Pivote	
3	3001758X1	2	Screw M6-50 Sz8 Hex	Goupille	Bolzen M6 X 50	Tornillo	
4	3519538M1	1	Plate Base	Plaque De Base	Grundplatte	Placa De Base	
5	339679X1	1	Bolt M10x60	Vis	Schraube	Perno	
6	6106866M1	2	Bush-Ext. Hoe	Douille	Büchse	Anillo	
7	1440329X1	1	Nut, Hex. - Nyloc, M10	Ecrou Blocage	Flachmutter M10	Tuerca De Retención	
8	394367X1	1	Nut, Hex. - Nyloc, M8	Ecrou Blocage M8	Flachmutter - M8	Tuerca De Retención	
9	6106724M92	1	Rod-Exthoe	Tringlerie	Gestänge	Tirantes, Conj.	
10	3517518M1	1	Ball Joint M8	Rotule	Kugelgelenk	Rotula	
11	339169X1	1	Nut, Hex. - M8, Coarse	Ecrou Métrique	Mutter Metrisch	Tuerca	
12	#ROD	1	Rod	Rod	Rod	Rod	Ref. 9
13	3519650M1	1	Nut, Hex - M8, L/H Thread	Ecrou	Mutter	Tuerca	
14	3520666M1	1	Pin W/ Spring Clip	Axe De Chape	Gabelstift	Eje De Brida	
15	3519590M1	1	Clevis LH Thread	Chape	Gabelverbindung	Brida	
16	6101865M2	1	Decal - Extendahoe	Adhésif	Aufkleber	Adhesivo	



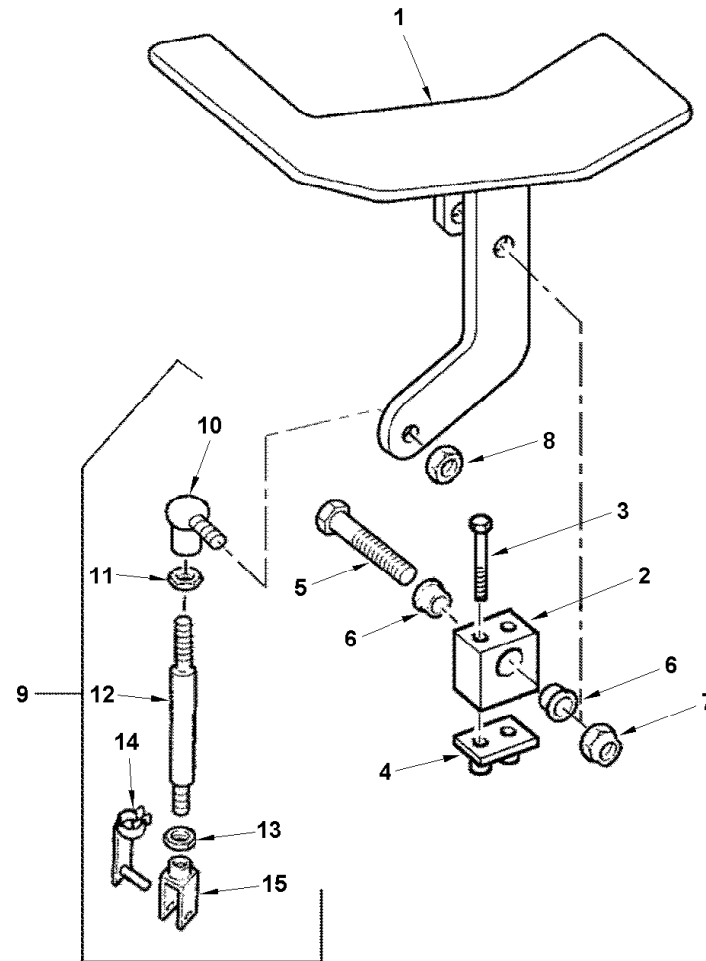
C-78016-01.1-A



<b>Item</b>	<b>Part No.</b>	<b>Qty.</b>	<b>English</b>	<b>French</b>	<b>German</b>	<b>Spanish</b>	<b>Remarks</b>
1	6110317M1	1	Bung - Rear Mat	Bonde	Spund	Casquillo	



C-78017-01.1-A





Item	Part No.	Qty.	English	French	German	Spanish	Remarks
1	6106874M91	1	Pedal-Ext.Hoe	Ensemble De Pédale	Pedal	Pedal, Conj.	
2	6106734M1	1	Block-Nylon Pivot	Bloc Pivot	Drehzapfen	Pivote	
3	3001758X1	2	Screw M6-50 Sz8 Hex	Goupille	Bolzen M6 X 50	Tornillo	
4	3519538M1	1	Plate Base	Plaque De Base	Grundplatte	Placa De Base	
5	339679X1	1	Bolt M10x60	Vis	Schraube	Perno	
6	6106866M1	2	Bush-Ext. Hoe	Douille	Büchse	Anillo	
7	1440329X1	1	Nut, Hex. - Nyloc, M10	Ecrou Blocage	Flachmutter M10	Tuerca De Retención	
8	394367X1	1	Nut, Hex. - Nyloc, M8	Ecrou Blocage M8	Flachmutter - M8	Tuerca De Retención	
9	6106724M92	1	Rod-Exthoe	Tringlerie	Gestänge	Tirantes, Conj.	
10	3517518M1	1	Ball Joint M8	Rotule	Kugelgelenk	Rotula	
11	339169X1	1	Nut, Hex. - M8, Coarse	Ecrou Métrique	Mutter Metrisch	Tuerca	
12	#ROD	1	Rod	Rod	Rod	Rod	Ref. 9
13	3519650M1	1	Nut, Hex - M8, L/H Thread	Ecrou	Mutter	Tuerca	
14	3520666M1	1	Pin W/ Spring Clip	Axe De Chape	Gabelstift	Eje De Brida	
15	3519590M1	1	Clevis LH Thread	Chape	Gabelverbindung	Brida	



**Not Illustrated**

**Non Illustrée**

**Nicht Abgebildet**

**Non Illustrato**

**No Ilustrado**

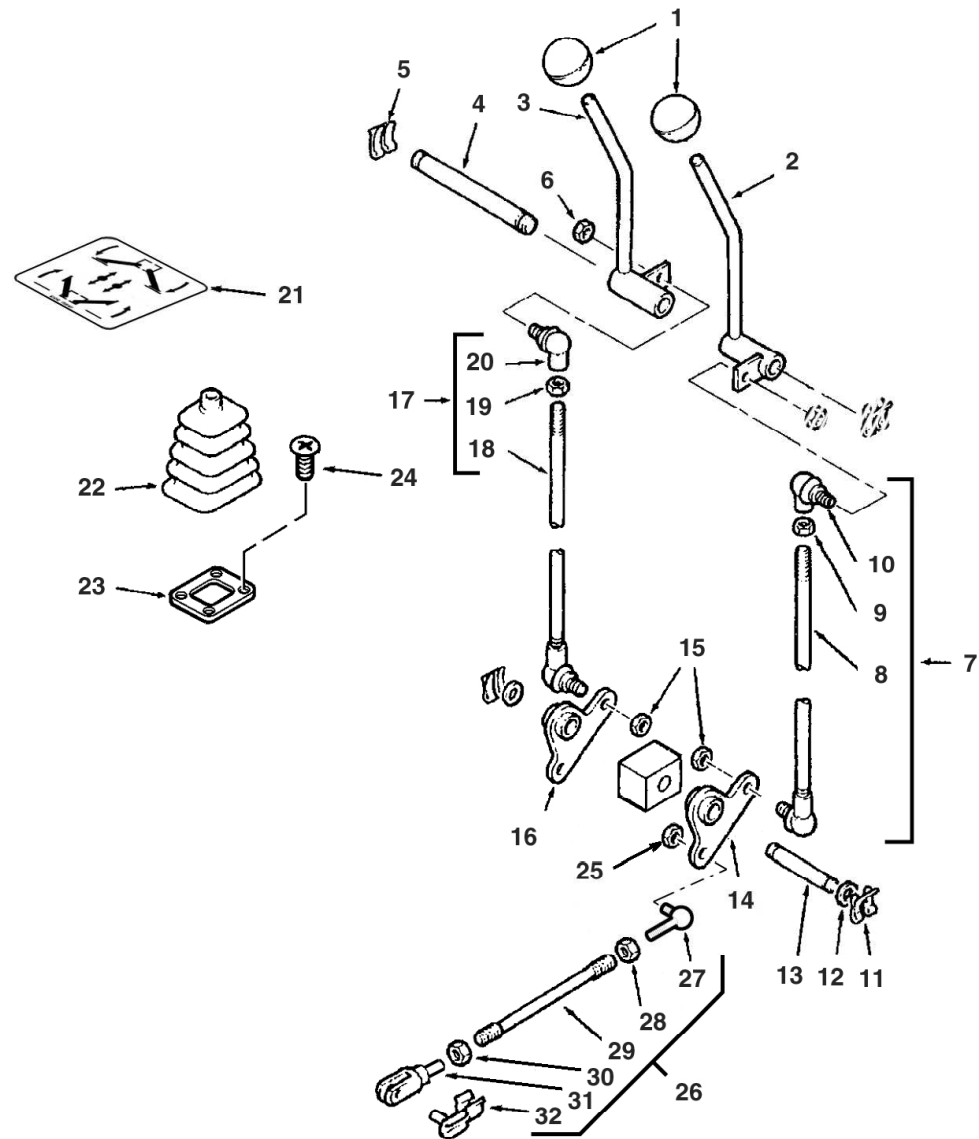
---

<b>Item</b>	<b>Part No.</b>	<b>Qty.</b>	<b>English</b>	<b>French</b>	<b>German</b>	<b>Spanish</b>	<b>Remarks</b>
-------------	-----------------	-------------	----------------	---------------	---------------	----------------	----------------

---



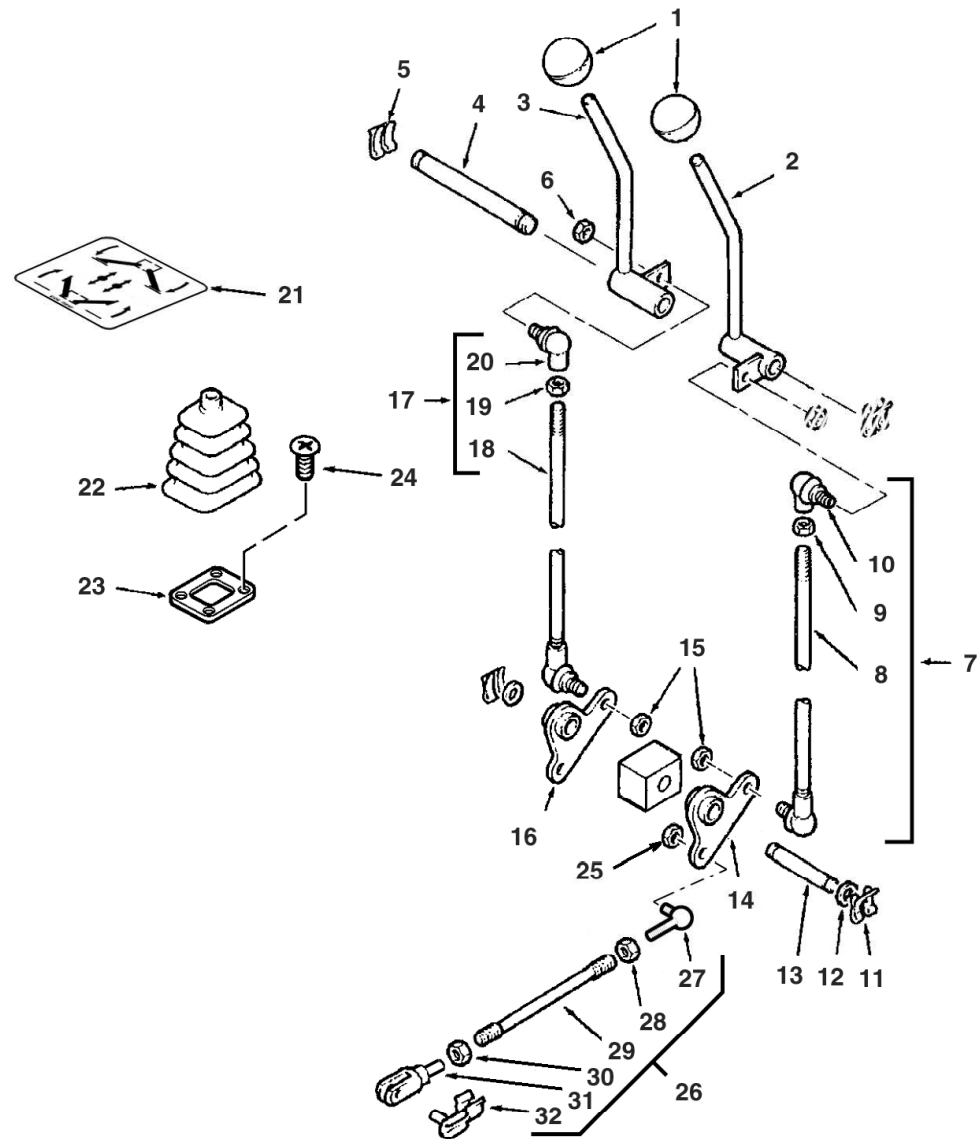
C-79001-01.1-A



Item	Part No.	Qty.	English	French	German	Spanish	Remarks
1	3517899M1	2	Knob Yellow Screw On	Boule	Knauf	Bola	
2	6100825M93	1	Handle - Stabiliser Control LH	Poignee	Handgriff	Palanca De Mando	
3	6100826M93	1	Handle - Stabiliser Control RH	Poignee	Handgriff	Palanca De Mando	
4	3521567M2	1	Shaft 122mm	Arbre	Welle	Pasador	
5	3521460M1	2	Fastener Safety M12	Agrafe	Befestigungsvorr.	Clip	
6	394367X1	2	Nut, Hex. - Nyloc, M8	Ecrou Blocage M8	Flachmutter - M8	Tuerca De Retención	
7	6100874M91	1	Rod Assy Stabiliser	Ensemble Tringlerie	Gestänge	Tirantes, Conj.	
8	#ROD	1	Rod	Rod	Rod	Rod	Ref. 7
9	392309X1	1	Nut M8 Thin	Ecrou	Mutter	Tuerca	
10	3520655M1	1	Ball-Joint	Rotule	Kugelgelenk	Rotula	
11	3521461M1	2	Fastener Safety M10	Circlip Ressort	Klemmfeder	Clip	
12	390734X1	2	Washer M10-21-2 Z	Rondelle - M10	Unterlegscheibe	Arandela	
13	6108468M1	1	Pin-Stab Lever	Axe	Bolzen	Pasador	
14	6107713M1	1	Pivot-Stab Control	Pivot	Wellenzapfen	Pivote	
15	394367X1	2	Nut, Hex. - Nyloc, M8	Ecrou Blocage M8	Flachmutter - M8	Tuerca De Retención	
16	6107713M1	1	Pivot-Stab Control	Pivot	Wellenzapfen	Pivote	
17	6100873M91	1	Rod Assy Stabiliser	Ensemble Tringlerie	Gestänge	Tirantes, Conj.	
18	#ROD	1	Rod	Rod	Rod	Rod	Ref. 17
19	392309X1	1	Nut M8 Thin	Ecrou	Mutter	Tuerca	
20	3520655M1	1	Ball-Joint	Rotule	Kugelgelenk	Rotula	
21	6106157M1	1	Decal-Ss Stab Control	Adhésif	Aufkleber	Adhesivo	
22	6109925M1	2	Gaiter - Stab Lever (Black)	Manchette	Manschette	Fuelle	
23	6101343M2	2	Plate-Gaiter Retaining	Plaque Manchette	Platte	Placa	
24	3521303M3	8	Fastener, Plastic - Gear Lever Gaiter	Agrafe	Halteklammer	Eganche	
25	339169X1	2	Nut, Hex. - M8, Coarse	Ecrou Métrique	Mutter Metrisch	Tuerca	
26	6106905M91	2	Rod-Digger Control	Tringlerie	Gestänge	Tirantes, Conj.	
27	3517518M1	1	Ball Joint M8	Rotule	Kugelgelenk	Rotula	
28	339169X1	1	Nut, Hex. - M8, Coarse	Ecrou Métrique	Mutter Metrisch	Tuerca	
29	#ROD	1	Rod	Rod	Rod	Rod	Ref. 26
30	3519650M1	1	Nut, Hex - M8, L/H Thread	Ecrou	Mutter	Tuerca	



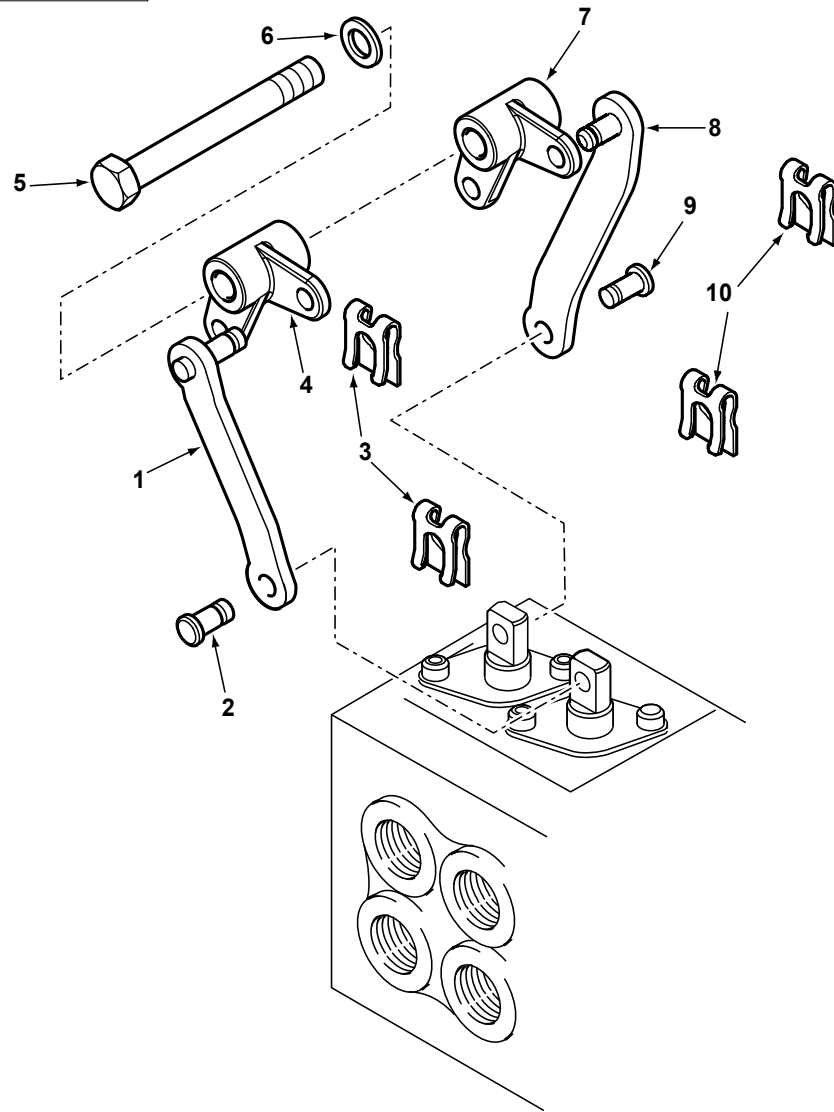
C-79001-01.1-A



<b>Item</b>	<b>Part No.</b>	<b>Qty.</b>	<b>English</b>	<b>French</b>	<b>German</b>	<b>Spanish</b>	<b>Remarks</b>
31	3519590M1	1	Clevis LH Thread	Chape	Gabelverbindung	Brida	
32	3520666M1	1	Pin W/ Spring Clip	Axe De Chape	Gabelstift	Eje De Brida	



C-79001-02.1-A

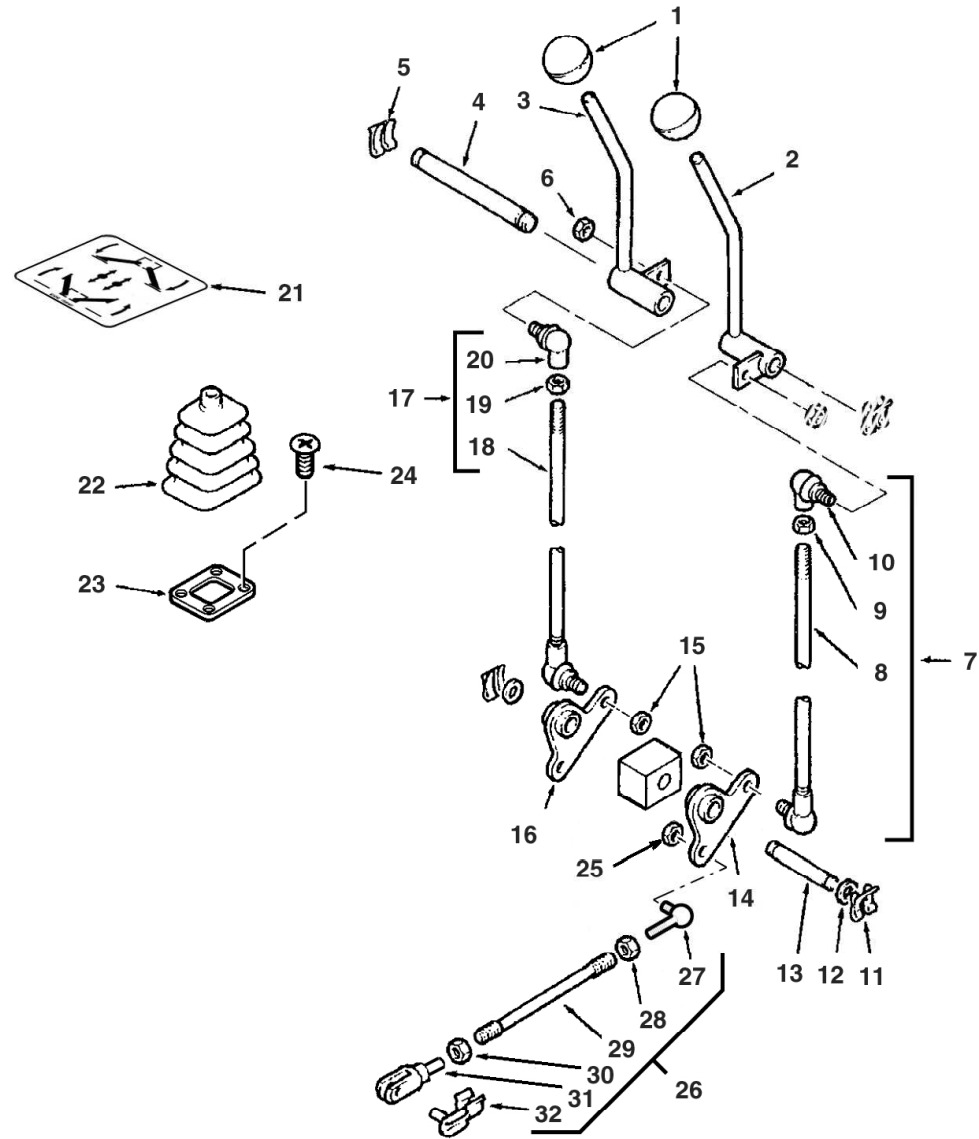




Item	Part No.	Qty.	English	French	German	Spanish	Remarks
1	6106626M92	1	Link-Stab	Maillon Ass.	Gelenkstange Kplt	Eslabón, Conj.	
2	6102816M1	1	Pin-Clevis	Axe De Chape	Gabelstift	Eje De Brida	
3	3516322M1	2	Clip, Spring - No.8	Clip	Klips	Clip	
4	6108530M1	1	Pivot-Stab Controls	Ensemble De Levier	Hebel Kpl.	Palanca, Conj.	
5	3009518X1	1	Bolt - M12 X 110lg	Goupille	Bolzen M12 X 110	Perno	
6	339369X1	1	Washer M12-22-2 Zsp	Rondelle Frein	Federring - M12	Arandela De Freno	
7	6108530M1	1	Pivot-Stab Controls	Ensemble De Levier	Hebel Kpl.	Palanca, Conj.	
8	6106626M92	1	Link-Stab	Maillon Ass.	Gelenkstange Kplt	Eslabón, Conj.	
9	6102816M1	1	Pin-Clevis	Axe De Chape	Gabelstift	Eje De Brida	
10	3516322M1	2	Clip, Spring - No.8	Clip	Klips	Clip	



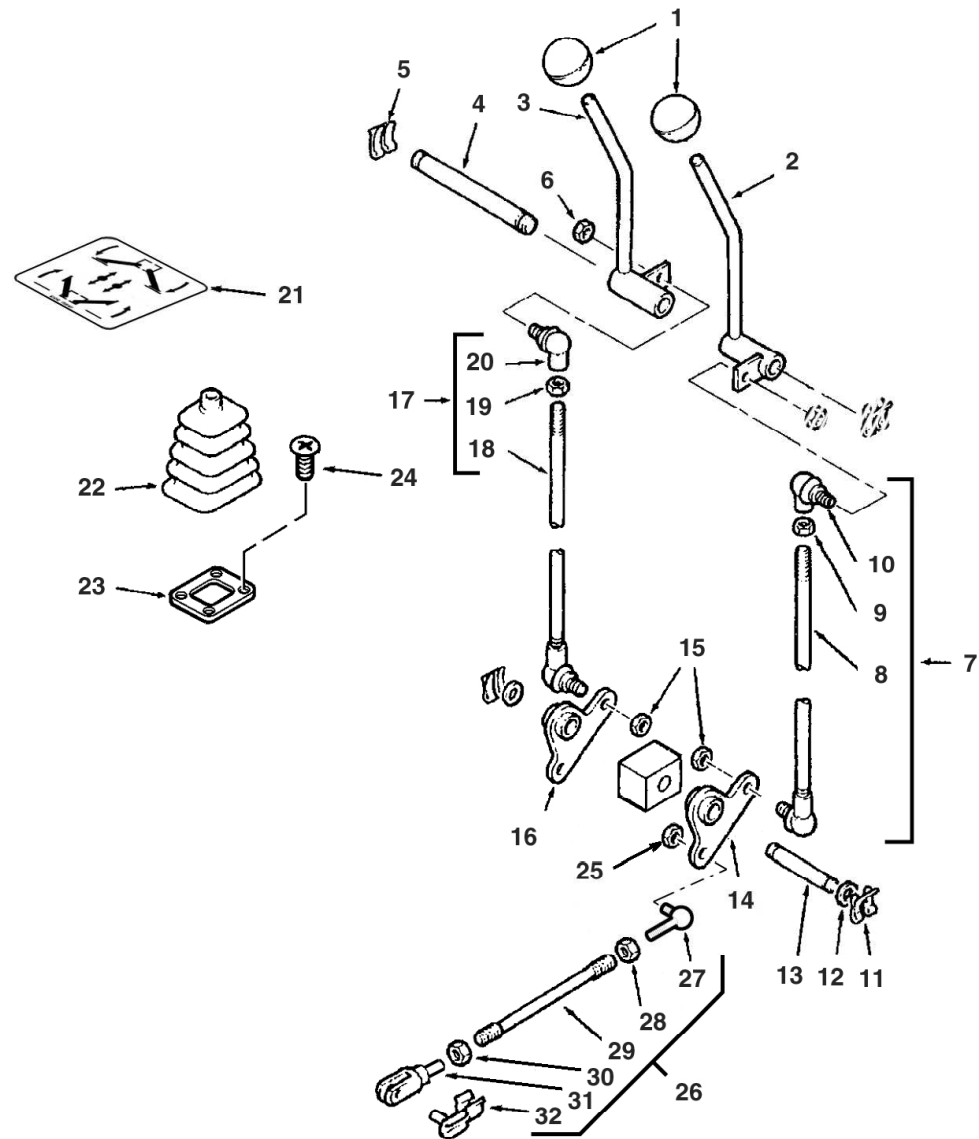
C-79002-01.1-A



Item	Part No.	Qty.	English	French	German	Spanish	Remarks
1	3517899M1	2	Knob Yellow Screw On	Boule	Knauf	Bola	
2	6100825M93	1	Handle - Stabiliser Control LH	Poignee	Handgriff	Palanca De Mando	
3	6100826M93	1	Handle - Stabiliser Control RH	Poignee	Handgriff	Palanca De Mando	
4	3521567M2	1	Shaft 122mm	Arbre	Welle	Pasador	
5	3521460M1	2	Fastener Safety M12	Agrafe	Befestigungsvorr.	Clip	
6	394367X1	2	Nut, Hex. - Nyloc, M8	Ecrou Blocage M8	Flachmutter - M8	Tuerca De Retención	
7	6100874M91	1	Rod Assy Stabiliser	Ensemble Tringlerie	Gestänge	Tirantes, Conj.	
8	#ROD	1	Rod	Rod	Rod	Rod	Ref. 7
9	392309X1	1	Nut M8 Thin	Ecrou	Mutter	Tuerca	
10	3520655M1	1	Ball-Joint	Rotule	Kugelgelenk	Rotula	
11	3521461M1	2	Fastener Safety M10	Circlip Ressort	Klemmfeder	Clip	
12	390734X1	2	Washer M10-21-2 Z	Rondelle - M10	Unterlegscheibe	Arandela	
13	6108468M1	1	Pin-Stab Lever	Axe	Bolzen	Pasador	
14	6107713M1	1	Pivot-Stab Control	Pivot	Wellenzapfen	Pivote	
15	394367X1	2	Nut, Hex. - Nyloc, M8	Ecrou Blocage M8	Flachmutter - M8	Tuerca De Retención	
16	6107713M1	1	Pivot-Stab Control	Pivot	Wellenzapfen	Pivote	
17	6100873M91	1	Rod Assy Stabiliser	Ensemble Tringlerie	Gestänge	Tirantes, Conj.	
18	#ROD	1	Rod	Rod	Rod	Rod	Ref. 17
19	392309X1	1	Nut M8 Thin	Ecrou	Mutter	Tuerca	
20	3520655M1	1	Ball-Joint	Rotule	Kugelgelenk	Rotula	
21	6106158M1	1	Decal-Cm Stab Control	Adhésif	Aufkleber	Adhesivo	
22	6109925M1	2	Gaiter - Stab Lever (Black)	Manchette	Manschette	Fuelle	
23	6101343M2	2	Plate-Gaiter Retaining	Plaque Manchette	Platte	Placa	
24	3521303M3	8	Fastener, Plastic - Gear Lever Gaiter	Agrafe	Halteklammer	Eganche	
25	339169X1	2	Nut, Hex. - M8, Coarse	Ecrou Métrique	Mutter Metrisch	Tuerca	
26	6106905M91	2	Rod-Digger Control	Tringlerie	Gestänge	Tirantes, Conj.	
27	3517518M1	1	Ball Joint M8	Rotule	Kugelgelenk	Rotula	
28	339169X1	1	Nut, Hex. - M8, Coarse	Ecrou Métrique	Mutter Metrisch	Tuerca	
29	#ROD	1	Rod	Rod	Rod	Rod	Ref. 26
30	3519650M1	1	Nut, Hex - M8, L/H Thread	Ecrou	Mutter	Tuerca	



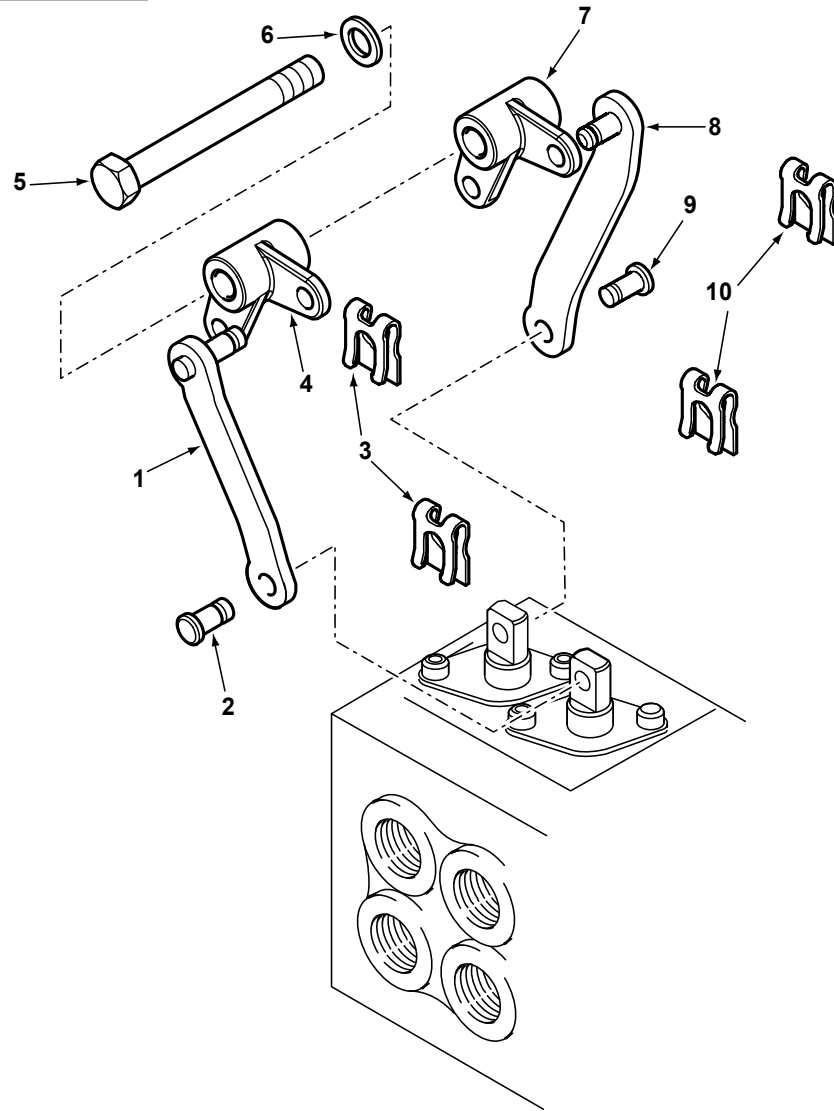
C-79002-01.1-A



<b>Item</b>	<b>Part No.</b>	<b>Qty.</b>	<b>English</b>	<b>French</b>	<b>German</b>	<b>Spanish</b>	<b>Remarks</b>
31	3519590M1	1	Clevis LH Thread	Chape	Gabelverbindung	Brida	
32	3520666M1	1	Pin W/ Spring Clip	Axe De Chape	Gabelstift	Eje De Brida	



C-79002-02.1-A



Item	Part No.	Qty.	English	French	German	Spanish	Remarks
1	6106626M92	1	Link-Stab	Maillon Ass.	Gelenkstange Kplt	Eslabón, Conj.	
2	6102816M1	1	Pin-Clevis	Axe De Chape	Gabelstift	Eje De Brida	
3	3516322M1	2	Clip, Spring - No.8	Clip	Klips	Clip	
4	6108530M1	1	Pivot-Stab Controls	Ensemble De Levier	Hebel Kpl.	Palanca, Conj.	
5	3009518X1	1	Bolt - M12 X 110lg	Goupille	Bolzen M12 X 110	Perno	
6	339369X1	1	Washer M12-22-2 Zsp	Rondelle Frein	Federring - M12	Arandela De Freno	
7	6108530M1	1	Pivot-Stab Controls	Ensemble De Levier	Hebel Kpl.	Palanca, Conj.	
8	6106626M92	1	Link-Stab	Maillon Ass.	Gelenkstange Kplt	Eslabón, Conj.	
9	6102816M1	1	Pin-Clevis	Axe De Chape	Gabelstift	Eje De Brida	
10	3516322M1	2	Clip, Spring - No.8	Clip	Klips	Clip	



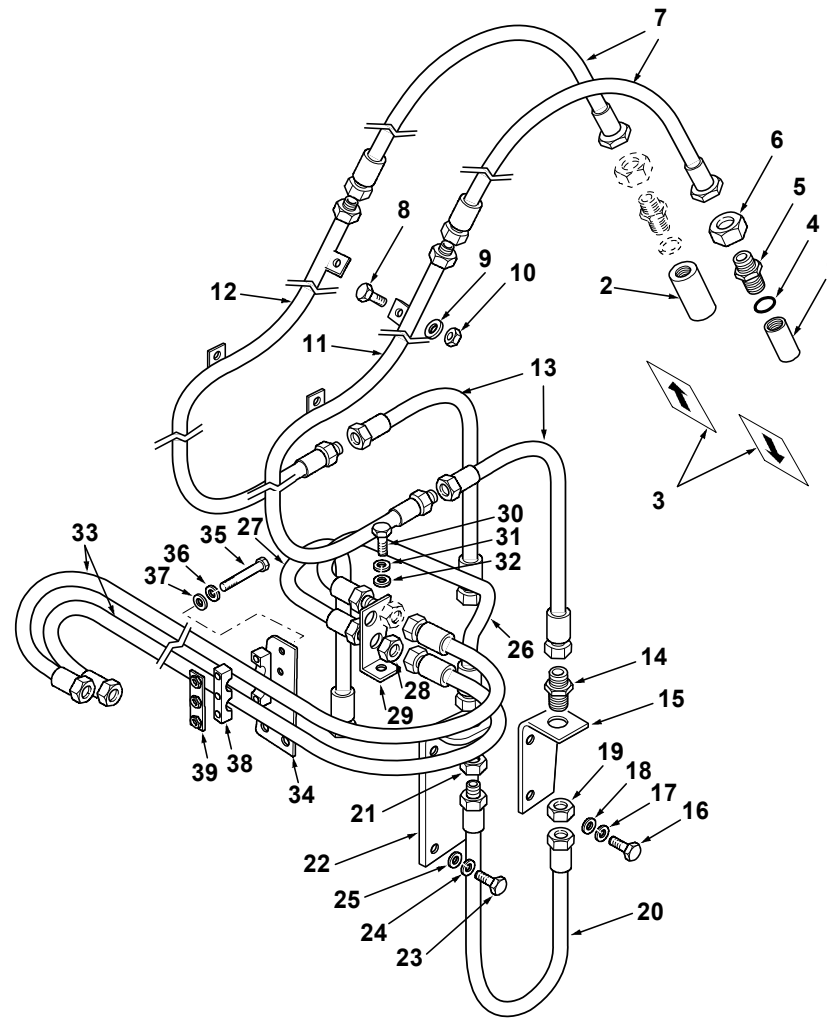




Item	Part No.	Qty.	English	French	German	Spanish	Remarks
1	3516796M91	1	Coupling Male Q/Rel	Coupleur Male	Kuppist Innen	Acoplador Rápido	
2	3516795M91	1	Coupling Female Q/Rel	Coupleur Femelle	Kuppist Aussen	Acoplamiento Rápido	
3	6106080M1	2	Decal-Arrow	Adhésif	Aufkleber	Adhesivo	
4	835025M1	2	Ring O	Joint Torique	O Ring	Junta De Tipo O	
5	356269X1	2	Connector, Straight - Hydraulic	Passe-Cloison	Doppelnippel	Pasatabiques	
6	355575X1	2	Nut 1 1/16-12 Bkhd Loc	Ecrou Blocage	Flachmutter	Tuerca De Retención	
7	6106190M91	2	Hose-Aux Dipper	Flexible Ass.	Schlauch Kpl	Flexible, Conj.	
8	339761X1	4	Bolt M8-25 Z5f	Goupille	Bolzen M8 X 25	Tornillo	
9	390972X1	4	Washer M8-17-1 Zwl	Rondelle M8	Scheibe - M8	Arandela	
10	394367X1	4	Nut, Hex. - Nyloc, M8	Ecrou Blocage M8	Flachmutter - M8	Tuerca De Retención	
11	6106186M92	1	Tube-Aux Boom 4.5 LH	Ensemble Tube	Rohr Kpl	Conjunto De Tubería	
12	6106188M92	1	Tube-Aux Boom 4.5 RH	Ensemble Tube	Rohr Kpl	Conjunto De Tubería	
13	6106185M91	2	Hose-Aux Hyd Boom Ss	Flexible Ass.	Schlauch Kpl	Flexible, Conj.	
14	356269X1	2	Connector, Straight - Hydraulic	Passe-Cloison	Doppelnippel	Pasatabiques	
15	6101964M1	1	Bracket-Lh	Patte Fixation	Haltearm	Pata De Fijación	
15	6101965M1	1	Bracket-Rh	Patte Fixation	Haltearm	Pata De Fijación	
16	339123X1	4	Bolt M8-20 Z5f	Boulon M8 X 20	Maschschraube M8	Perno	
17	339374X1	4	Washer M8 -21-2 Z	Rondelle Frein - M8	Federring - M8	Arandela De Freno	
18	390972X1	4	Washer M8-17-1 Zwl	Rondelle M8	Scheibe - M8	Arandela	
19	355575X1	2	Nut 1 1/16-12 Bkhd Loc	Ecrou Blocage	Flachmutter	Tuerca De Retención	
20	6101899M91	2	Hose Assy.	Flexible Ass.	Schlauch Kpl	Flexible, Conj.	
21	355575X1	2	Nut 1 1/16-12 Bkhd Loc	Ecrou Blocage	Flachmutter	Tuerca De Retención	
22	6101459M91	2	Bracket-Hammer-W/Assy	Patte Fixation	Halter	Pata De Fijación	
23	339123X1	4	Bolt M8-20 Z5f	Boulon M8 X 20	Maschschraube M8	Perno	
24	339374X1	4	Washer M8 -21-2 Z	Rondelle Frein - M8	Federring - M8	Arandela De Freno	
25	390972X1	4	Washer M8-17-1 Zwl	Rondelle M8	Scheibe - M8	Arandela	
26	6101461M92	1	Tube-Upper-Hammer	Tuyauterie	Rohr Kpl	Conjunto De Tubería	
27	6101463M92	1	Tube-Lower-Hammer	Tuyauterie	Rohr Kpl	Conjunto De Tubería	
28	355575X1	2	Nut 1 1/16-12 Bkhd Loc	Ecrou Blocage	Flachmutter	Tuerca De Retención	
29	6101466M3	1	Bracket-Hammer Support	Patte Fixation	Haltearm	Pata De Fijación	

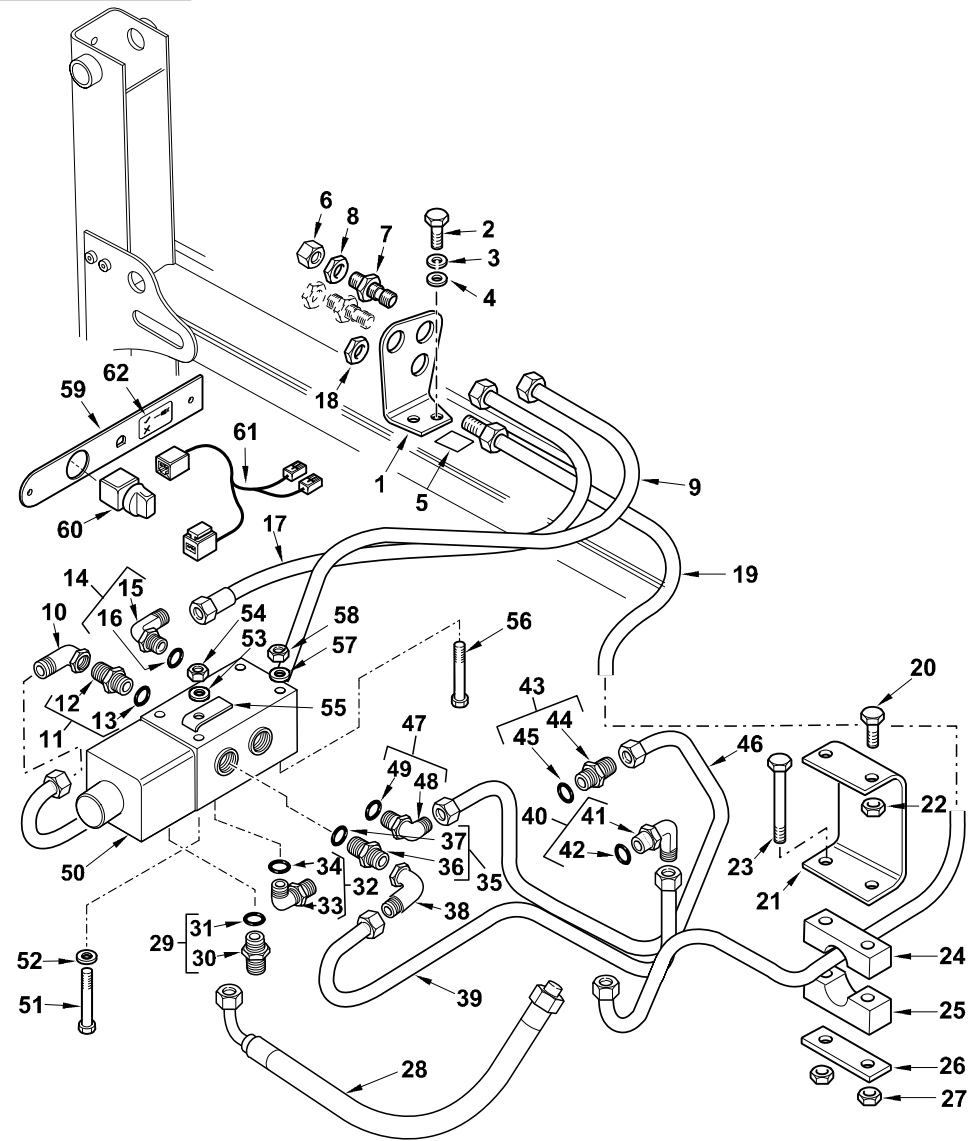


C-80003-01.1-A



Item	Part No.	Qty.	English	French	German	Spanish	Remarks
30	3009493X1	1	Bolt M10-30 Z5c	Boulon M10 X 30	Maschschraube M10	Perno	
31	339376X1	1	Washer M10-18-2 Zsp	Rondelle Frein	Federring	Arandela De Freno	
32	390734X1	1	Washer M10-21-2 Z	Rondelle - M10	Unterlegscheibe	Arandela	
33	6101898M91	2	Hose-Aux Hyd.	Flexible Ass.	Schlauch Kpl	Flexible, Conj.	
34	6102026M2GY02	1	Plate - Mounting	Plaque	Platte	Placa	
35	339891X1	3	Bolt M8-80 Z5s	Boulon M8 X 80	Maschschraube M8	Tornillo	
36	339374X1	3	Washer M8 -21-2 Z	Rondelle Frein - M8	Federring - M8	Arandela De Freno	
37	390972X1	3	Washer M8-17-1 Zwel	Rondelle M8	Scheibe - M8	Arandela	
38	3522055M3	2	Clamp Ret Hose	Collier De Serrage	Halteschelle	Brida De Fijación	
39	6102132M92	1	Plate - Clamp W/Assy	Platine	Klemmplatte	Placa, Conj.	

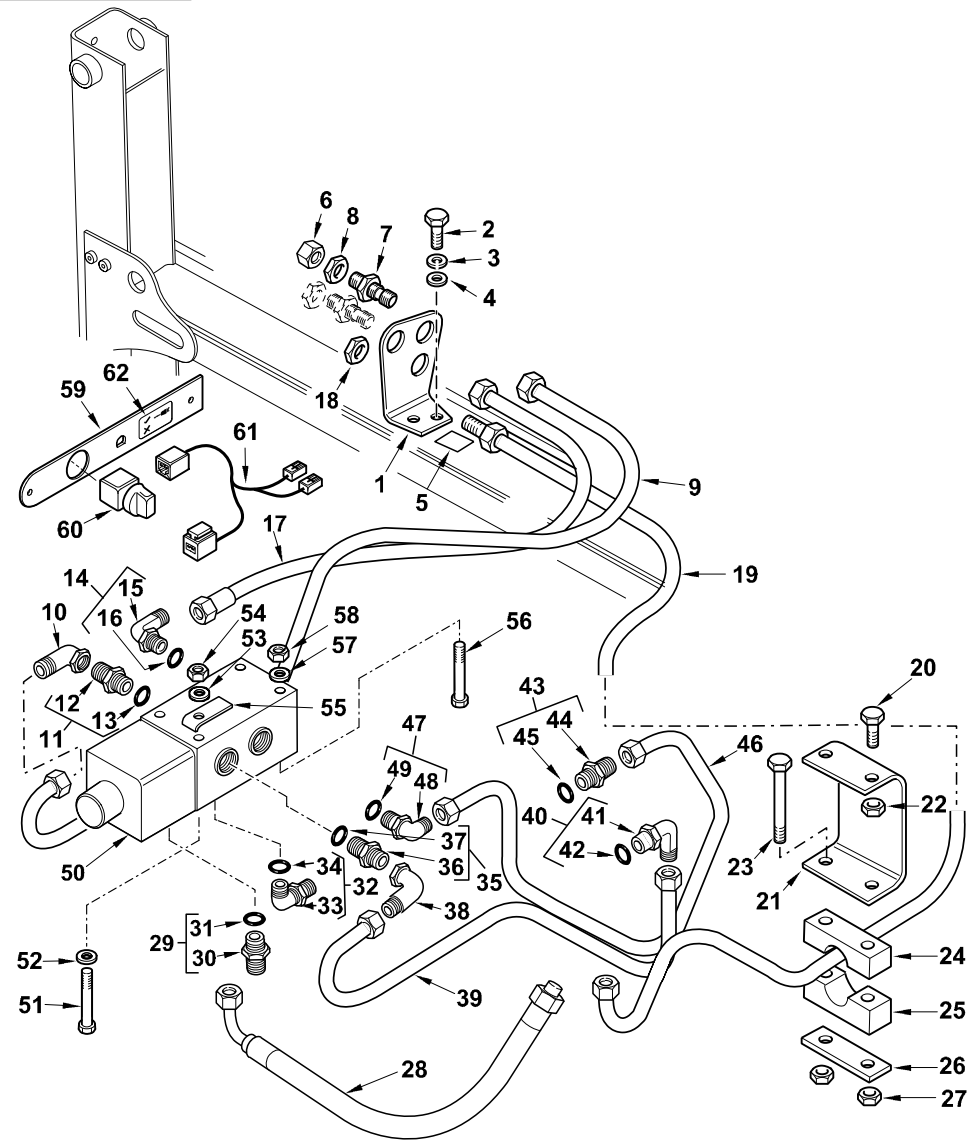
C-80003-02.1-B



Item	Part No.	Qty.	English	French	German	Spanish	Remarks
1	6109873M1	1	Bracket	Patte Fixation	Haltearm	Pata De Fijación	
2	3009491X1	2	Bolt M10 X 20	Boulon	Maschschraube M10	Tornillo	
3	339376X1	2	Washer M10-18-2 Zsp	Rondelle Frein	Federring	Arandela De Freno	
4	390734X1	2	Washer M10-21-2 Z	Rondelle - M10	Unterlegscheibe	Arandela	
5	6109756M1	1	Decal-Auxiliary Hyds	Adhésif	Aufkleber	Adhesivo	
6	355782X1	1	Cap	Capuchon	Kappe	Obturador	
7	356269X1	2	Connector, Straight - Hydraulic	Passe-Cloison	Doppelnippel	Pasatabiques	
8	355575X1	2	Nut 1 1/16-12 Bkhd Loc	Ecrou Blocage	Flachmutter	Tuerca De Retención	
9	6109746M92	1	Tube Assembly	Tuyauterie	Rohr Kpl	Conjunto De Tubería	
10	366462X1	1	Elbow Swivel	Coude À 90°	Winkelstück	Codo, 90°	
11	835057M91	1	Connector B1510m-12-12	Raccord	Schraubanschluss	Conexión, Conj.	
12	#CONNECTOR	1	Connector	Connector	Connector	Connector	Ref. 11
13	835025M1	1	Ring O	Joint Torique	O Ring	Junta De Tipo O	
14	358764X91	1	Elbow 90 Deg	Coude 90°	Kniestück, 90°	Codo, 90°	
15	#ELBOW	1	Elbow	Elbow	Elbow	Elbow	Ref. 14
16	835025M1	1	Ring O	Joint Torique	O Ring	Junta De Tipo O	
17	6107408M93	1	Tube-Aux Hyd Ham Feed	Tuyauterie	Rohr Kpl	Conjunto De Tubería	
18	355575X1	1	Nut 1 1/16-12 Bkhd Loc	Ecrou Blocage	Flachmutter	Tuerca De Retención	
19	6109846M91	1	Tube Assy - Aux Hyds Return Ss	Tuyauterie	Rohr Kpl	Conjunto De Tubería	
20	339666X1	2	Bolt M6-20 Z5f	Boulon M6 X 20	Maschschraube Metr M	Tornillo	
21	6109926M1	1	Bracket - Aux Hydraulics Return Tube	Patte Fixation	Haltearm	Pata De Fijación	
22	1441500X1	2	Nut M6 Z5 Nyloc	Ecrou	Flachmutter M6	Tuerca De Retención	
23	1440922X1	2	Bolt M6-60 (Hammer)	Goupille	Bolzen M6 X 60	Tornillo	
24	3520340M3	1	Clamp Tube	Collier De Serrage	Halteschelle	Argolla De Cierre	
25	6102788M1	1	Fixing Bracket	Patte Fixation	Halter	Brida De Fijación	
26	1462583M1	1	Plate-Clamp	Plaque	Platte	Placa	
27	1441500X1	2	Nut M6 Z5 Nyloc	Ecrou	Flachmutter M6	Tuerca De Retención	
28	6108513M91	1	Hose Assy	Flexible Ass.	Schlauch Kplt	Flexible, Conj.	
29	365715X91	1	Connector, Hydr.-Straight, 1 1/16 X 7/8	Borne	Doppelnippel	Conexión, Conj.	
30	#CONNECTOR	1	Connector	Connector	Connector	Connector	Ref. 29



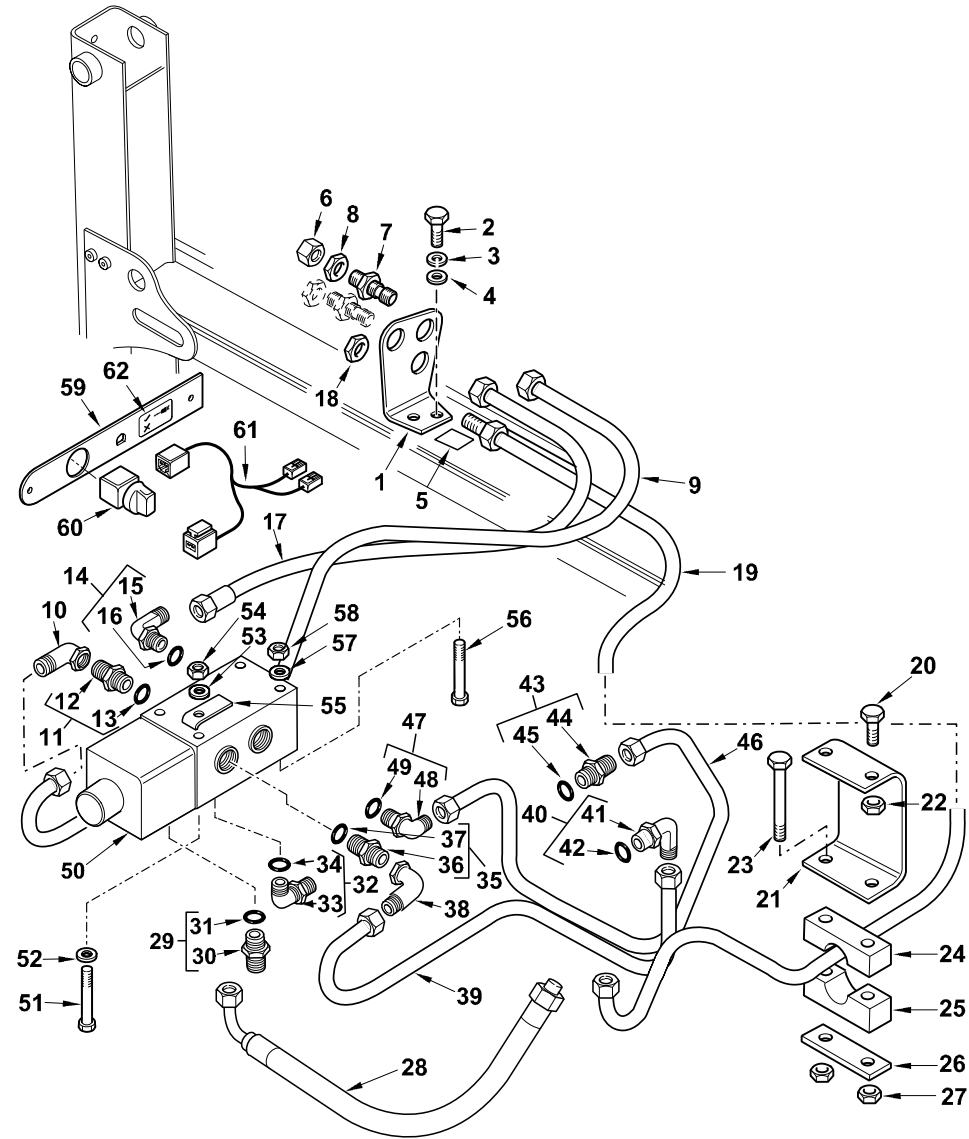
C-80003-02.1-B



Item	Part No.	Qty.	English	French	German	Spanish	Remarks
31	835025M1	1	Ring O	Joint Torique	O Ring	Junta De Tipo O	
32	368113X91	1	Connector (Cran'g Vlv)	Equerre	Winkelstuck	Codo, 90°	
33	#ELBOW	1	Elbow	Elbow	Elbow	Elbow	Ref. 32
34	835025M1	1	Ring O	Joint Torique	O Ring	Junta De Tipo O	
35	835057M91	1	Connector B1510m-12-12	Raccord	Schraubanschluss	Conexión, Conj.	
36	#CONNECTOR	1	Connector	Connector	Connector	Connector	Ref. 36
37	835025M1	1	Ring O	Joint Torique	O Ring	Junta De Tipo O	
38	366462X1	1	Elbow Swivel	Coude À 90°	Winkelstuck	Codo, 90°	
39	6109622M91	1	Tube Assy - Aux Hydraulics	Tuyauterie	Rohrleitung Kplt	Conjunto De Tubería	
40	358764X91	1	Elbow 90 Deg	Coude 90°	Kniestück, 90°	Codo, 90°	
41	#ELBOW	1	Elbow	Elbow	Elbow	Elbow	Ref. 40
42	835025M1	1	Ring O	Joint Torique	O Ring	Junta De Tipo O	
43	835057M91	1	Connector B1510m-12-12	Raccord	Schraubanschluss	Conexión, Conj.	
44	#CONNECTOR	1	Connector	Connector	Connector	Connector	Ref. 43
45	835025M1	1	Ring O	Joint Torique	O Ring	Junta De Tipo O	
46	6109620M91	1	Tube Assy - Aux Hydraulics	Tuyauterie	Rohr Kpl	Conjunto De Tubería	
47	358764X91	1	Elbow 90 Deg	Coude 90°	Kniestück, 90°	Codo, 90°	
48	#ELBOW	1	Elbow	Elbow	Elbow	Elbow	Ref. 47
49	835025M1	1	Ring O	Joint Torique	O Ring	Junta De Tipo O	
50	6111538M91	1	Valve - Changeover	Soupape	Ventil	Válvula De Prioridad	Ecn06/091
50	6108292M91	1	Valve-Changeover	Soupape De Priorité	Vorrangventil	Válvula De Prioridad	Ecn06/091
51	3019894X1	3	Bolt M6 X 100	Goupille	Bolzen M6 X 100	Tornillo	Ecn06/091
51	3004715X1	2	Capscrew - M8 X 60 ISO 10.9 (Zinc)	Vis Bouchon M8 X 60	Hutschraube M8 X 60	Tornillo	Ecn06/091
52	3019571X1	3	Washer, Large - M6, Hardened	Rondelle	Unterlegscheibe	Arandela	Ecn06/091
53	390972X1	2	Washer M8-17-1 Zwl	Rondelle M8	Scheibe - M8	Arandela	Ecn06/091
53	390971X1	3	Washer M6-12-1 Zwl	Rondelle - M6	Scheibe - M6	Arandela	Ecn06/091
54	394367X1	2	Nut, Hex. - Nyloc, M8	Ecrou Blocage M8	Flachmutter - M8	Tuerca De Retención	Ecn06/091
54	1441500X1	3	Nut M6 Z5 Nyloc	Ecrou	Flachmutter M6	Tuerca De Retención	Ecn06/091
55	6108445M1	1	Plate-Mtg Lug	Patte De Fixation	Anschweislasche	Pata De Fijación	Ecn06/091
56	3001758X1	1	Screw M6-50 Sz8 Hex	Goupille	Bolzen M6 X 50	Tornillo	Ecn06/091



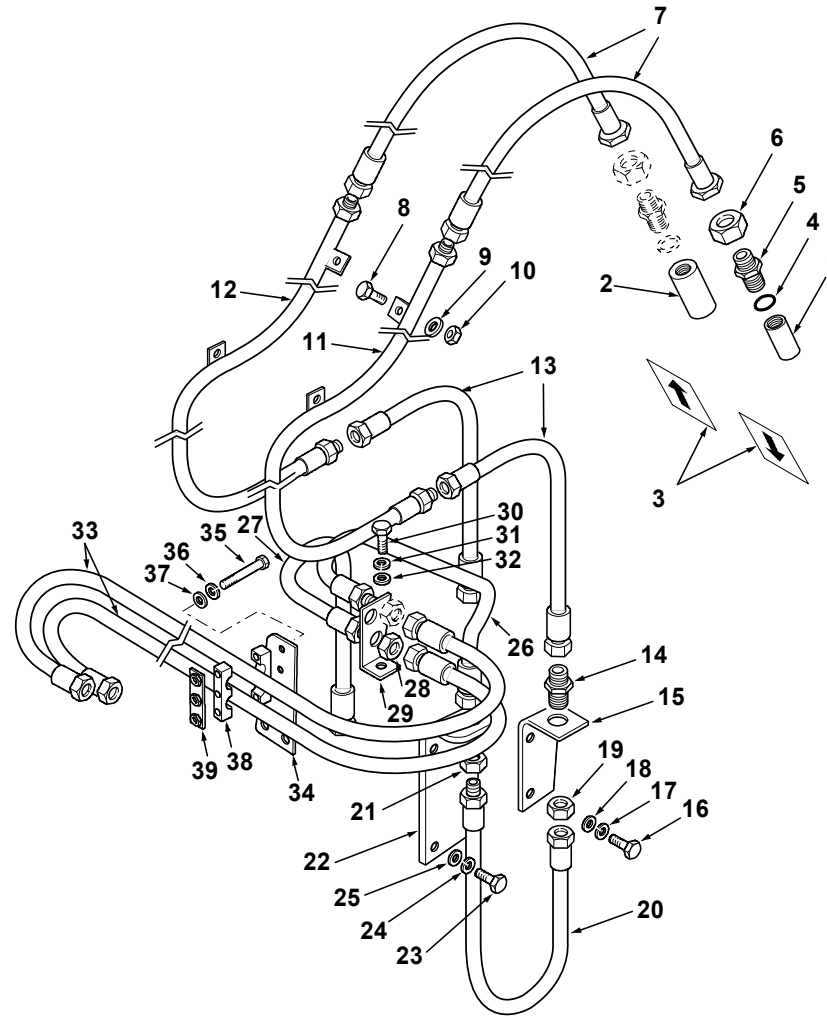
C-80003-02.1-B





Item	Part No.	Qty.	English	French	German	Spanish	Remarks
57	390971X1	2	Washer M6-12-1 Zwl	Rondelle - M6	Scheibe - M6	Arandela	Ecn06/091
58	1441500X1	1	Nut M6 Z5 Nyloc	Ecrou	Flachmutter M6	Tuerca De Retención	Ecn06/091
59	6110013M1	1	Auxiliary Switch Plate 4ws	Plaque	Platte	Placa	
60	6107165M91	1	Switch Assy Hammer	Commutateur Ass.	Schalter	Conmutador, Conj.	
61	6107467M92	1	Harness-Hammer ISO Valve	Faisceau Ass.	Kabelbaum	Haz, Conj.	
62	6109933M1	1	Decal - Aux Hydraulics	Adhésif	Aufkleber	Adhesivo	

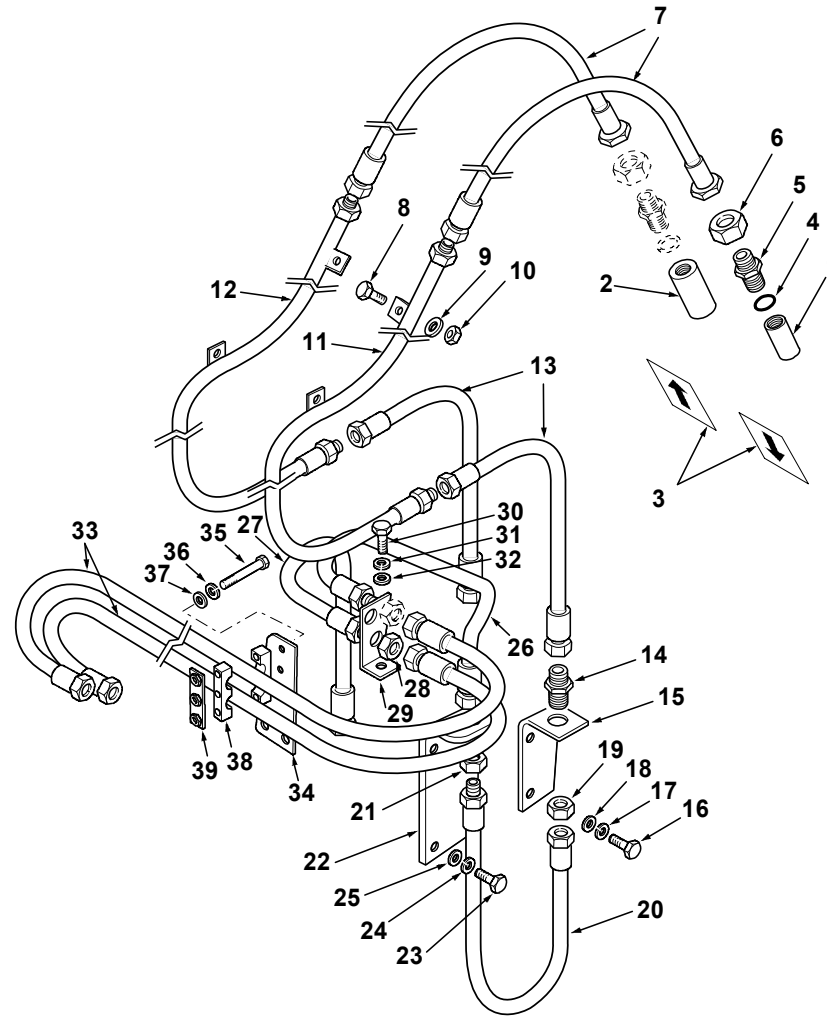
C-80004-01.1-A



Item	Part No.	Qty.	English	French	German	Spanish	Remarks
1	3516796M91	1	Coupling Male Q/Rel	Coupleur Male	Kuppist Innen	Acoplador Rápido	
2	3516795M91	1	Coupling Female Q/Rel	Coupleur Femelle	Kuppist Aussen	Acoplamiento Rápido	
3	6106080M1	2	Decal-Arrow	Adhésif	Aufkleber	Adhesivo	
4	835025M1	2	Ring O	Joint Torique	O Ring	Junta De Tipo O	
5	356269X1	2	Connector, Straight - Hydraulic	Passe-Cloison	Doppelnippel	Pasatabiques	
6	355575X1	2	Nut 1 1/16-12 Bkhd Loc	Ecrou Blocage	Flachmutter	Tuerca De Retención	
7	6106190M91	2	Hose-Aux Dipper	Flexible Ass.	Schlauch Kpl	Flexible, Conj.	
8	339761X1	4	Bolt M8-25 Z5f	Goupille	Bolzen M8 X 25	Tornillo	
9	390972X1	4	Washer M8-17-1 Zwel	Rondelle M8	Scheibe - M8	Arandela	
10	394367X1	4	Nut, Hex. - Nyloc, M8	Ecrou Blocage M8	Flachmutter - M8	Tuerca De Retención	
11	6106186M92	1	Tube-Aux Boom 4.5 LH	Ensemble Tube	Rohr Kpl	Conjunto De Tubería	
12	6106188M92	1	Tube-Aux Boom 4.5 RH	Ensemble Tube	Rohr Kpl	Conjunto De Tubería	
13	6106185M91	2	Hose-Aux Hyd Boom Ss	Flexible Ass.	Schlauch Kpl	Flexible, Conj.	
14	356269X1	2	Connector, Straight - Hydraulic	Passe-Cloison	Doppelnippel	Pasatabiques	
15	6101965M1	1	Bracket-Rh	Patte Fixation	Haltearm	Pata De Fijación	
15	6101964M1	1	Bracket-Lh	Patte Fixation	Haltearm	Pata De Fijación	
16	339123X1	4	Bolt M8-20 Z5f	Boulon M8 X 20	Maschschraube M8	Perno	
17	339374X1	4	Washer M8 -21-2 Z	Rondelle Frein - M8	Federring - M8	Arandela De Freno	
18	390972X1	4	Washer M8-17-1 Zwel	Rondelle M8	Scheibe - M8	Arandela	
19	355575X1	2	Nut 1 1/16-12 Bkhd Loc	Ecrou Blocage	Flachmutter	Tuerca De Retención	
20	6101899M91	2	Hose Assy.	Flexible Ass.	Schlauch Kpl	Flexible, Conj.	
21	355575X1	2	Nut 1 1/16-12 Bkhd Loc	Ecrou Blocage	Flachmutter	Tuerca De Retención	
22	6101459M91	2	Bracket-Hammer-W/Assy	Patte Fixation	Halter	Pata De Fijación	
23	339123X1	4	Bolt M8-20 Z5f	Boulon M8 X 20	Maschschraube M8	Perno	
24	339374X1	4	Washer M8 -21-2 Z	Rondelle Frein - M8	Federring - M8	Arandela De Freno	
25	390972X1	4	Washer M8-17-1 Zwel	Rondelle M8	Scheibe - M8	Arandela	
26	6101461M92	1	Tube-Upper-Hammer	Tuyauterie	Rohr Kpl	Conjunto De Tubería	
27	6101463M92	1	Tube-Lower-Hammer	Tuyauterie	Rohr Kpl	Conjunto De Tubería	
28	355575X1	2	Nut 1 1/16-12 Bkhd Loc	Ecrou Blocage	Flachmutter	Tuerca De Retención	
29	6101466M3	1	Bracket-Hammer Support	Patte Fixation	Haltearm	Pata De Fijación	

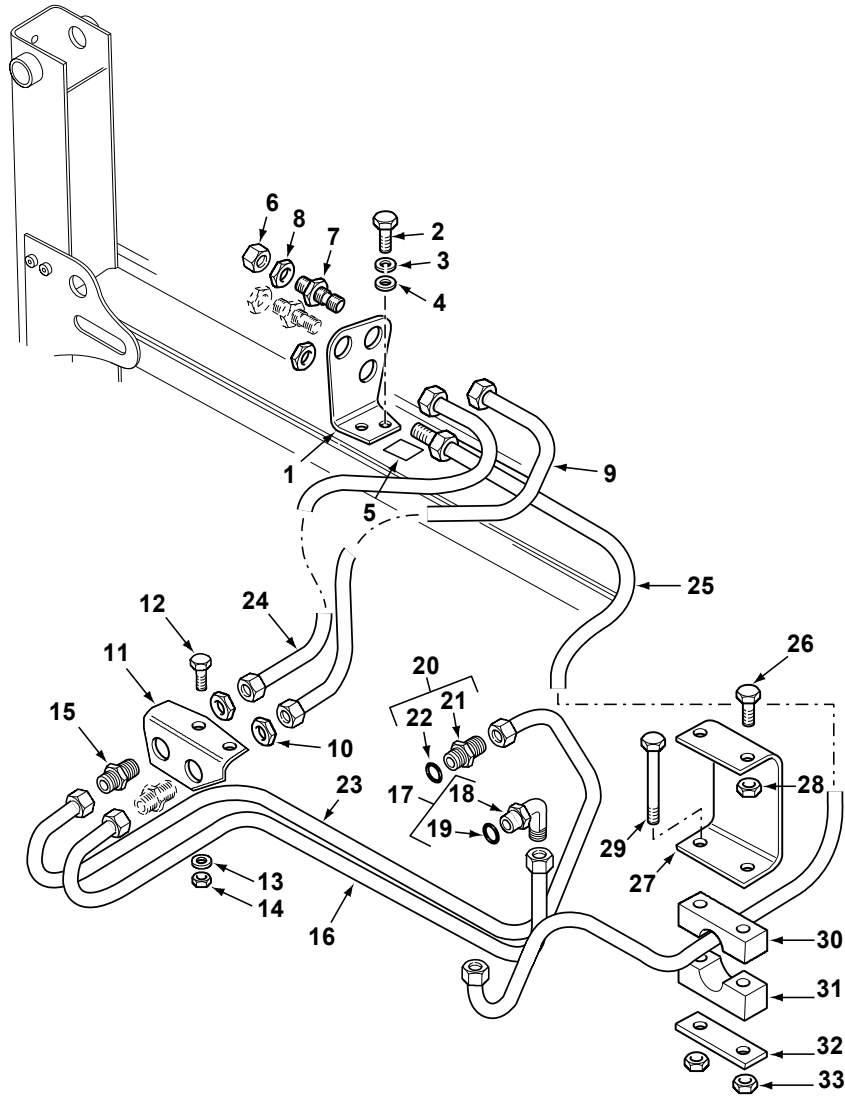


C-80004-01.1-A



Item	Part No.	Qty.	English	French	German	Spanish	Remarks
30	3009493X1	1	Bolt M10-30 Z5c	Boulon M10 X 30	Maschschraube M10	Perno	
31	339376X1	1	Washer M10-18-2 Zsp	Rondelle Frein	Federring	Arandela De Freno	
32	390734X1	1	Washer M10-21-2 Z	Rondelle - M10	Unterlegscheibe	Arandela	
33	6101898M91	2	Hose-Aux Hyd.	Flexible Ass.	Schlauch Kpl	Flexible, Conj.	
34	6102026M2GY02	1	Plate - Mounting	Plaque	Platte	Placa	
35	339891X1	3	Bolt M8-80 Z5s	Boulon M8 X 80	Maschschraube M8	Tornillo	
36	339374X1	3	Washer M8 -21-2 Z	Rondelle Frein - M8	Federring - M8	Arandela De Freno	
37	390972X1	3	Washer M8-17-1 Zwel	Rondelle M8	Scheibe - M8	Arandela	
38	3522055M3	2	Clamp Ret Hose	Collier De Serrage	Halteschelle	Brida De Fijación	
39	6102132M92	1	Plate - Clamp W/Assy	Platine	Klemmplatte	Placa, Conj.	

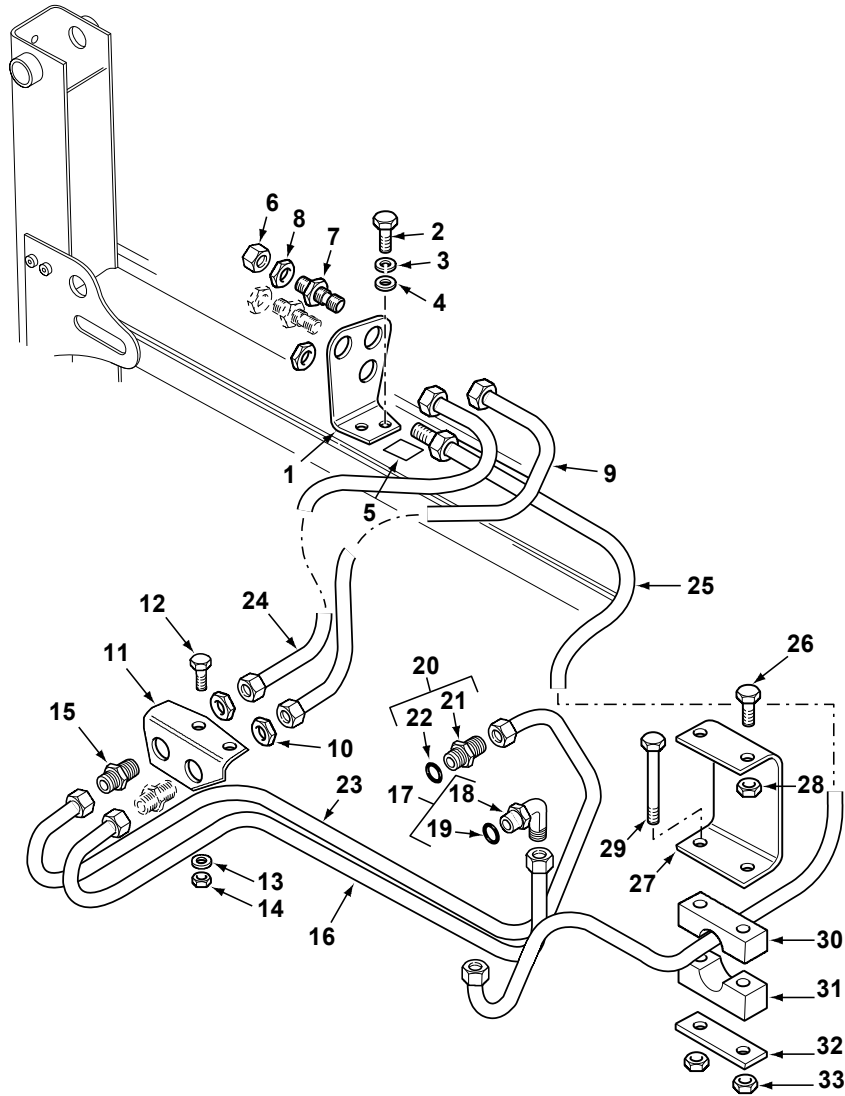
C-80004-02.1-A



Item	Part No.	Qty.	English	French	German	Spanish	Remarks
1	6109873M1	1	Bracket	Patte Fixation	Haltearm	Pata De Fijación	
2	3009491X1	2	Bolt M10 X 20	Boulon	Maschschraube M10	Tornillo	
3	339376X1	2	Washer M10-18-2 Zsp	Rondelle Frein	Federring	Arandela De Freno	
4	390734X1	2	Washer M10-21-2 Z	Rondelle - M10	Unterlegscheibe	Arandela	
5	6109756M1	1	Decal-Auxiliary Hyds	Adhésif	Aufkleber	Adhesivo	
6	355782X1	1	Cap	Capuchon	Kappe	Obturador	
7	356269X1	2	Connector, Straight - Hydraulic	Passe-Cloison	Doppelnippel	Pasatabiques	
8	355575X1	2	Nut 1 1/16-12 Bkhd Loc	Ecrou Blocage	Flachmutter	Tuerca De Retención	
9	6110029M92	1	Tube Assembly - Auxiliary Hydraulics	Tuyauterie	Rohr Kpl	Conjunto De Tubería	
10	355575X1	2	Nut 1 1/16-12 Bkhd Loc	Ecrou Blocage	Flachmutter	Tuerca De Retención	
11	6110076M1	1	Bracket - Aux Hydraulics Cm	Patte Fixation	Haltearm	Pata De Fijación	
12	339804X1	2	Bolt, Hex, - M6 X 25	Goupille	Maschschrb Metr - M6	Tornillo	
13	390971X1	2	Washer M6-12-1 Zwl	Rondelle - M6	Scheibe - M6	Arandela	
14	1441500X1	2	Nut M6 Z5 Nyloc	Ecrou	Flachmutter M6	Tuerca De Retención	
15	356269X1	2	Connector, Straight - Hydraulic	Passe-Cloison	Doppelnippel	Pasatabiques	
16	6110031M91	1	Tube- Aux Hyds - Std Dipper	Tuyauterie	Rohr Kpl	Conjunto De Tubería	
17	358764X91	1	Elbow 90 Deg	Coude 90°	Kniestück, 90°	Codo, 90°	
18	#ELBOW	1	Elbow	Elbow	Elbow	Elbow	Ref. 17
19	835025M1	1	Ring O	Joint Torique	O Ring	Junta De Tipo O	
20	835057M91	1	Connector B1510m-12-12	Raccord	Schraubanschluss	Conexión, Conj.	
21	#CONNECTOR	1	Connector	Connector	Connector	Connector	Ref. 20
22	835025M1	1	Ring O	Joint Torique	O Ring	Junta De Tipo O	
23	6110077M91	1	Tube Assy - Aux Hydraulics Cm	Tuyauterie	Rohr Kpl	Conjunto De Tubería	
24	6107408M93	1	Tube-Aux Hyd Ham Feed	Tuyauterie	Rohr Kpl	Conjunto De Tubería	
25	6109846M91	1	Tube Assy - Aux Hyds Return Ss	Tuyauterie	Rohr Kpl	Conjunto De Tubería	
26	339666X1	2	Bolt M6-20 Z5f	Boulon M6 X 20	Maschschraube Metr M	Tornillo	
27	6109926M1	1	Bracket - Aux Hydraulics Return Tube	Patte Fixation	Haltearm	Pata De Fijación	
28	1441500X1	2	Nut M6 Z5 Nyloc	Ecrou	Flachmutter M6	Tuerca De Retención	
29	1440922X1	2	Bolt M6-60 (Hammer)	Goupille	Bolzen M6 X 60	Tornillo	
30	3520340M3	1	Clamp Tube	Collier De Serrage	Halteschelle	Argolla De Cierre	



C-80004-02.1-A

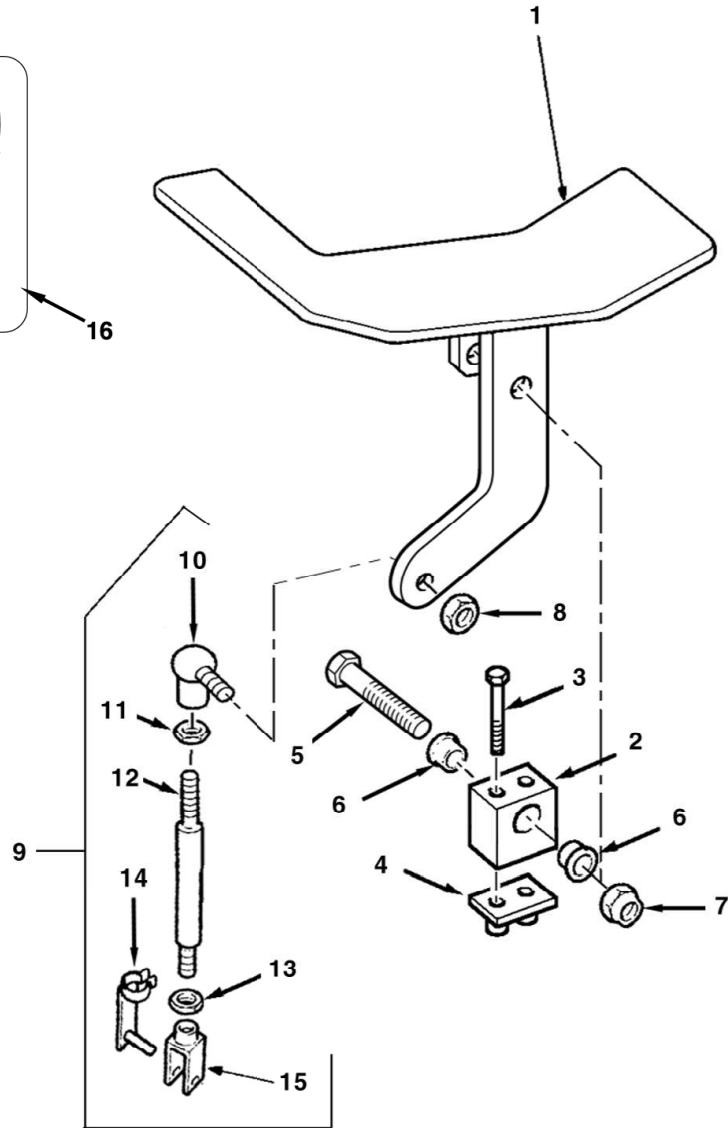
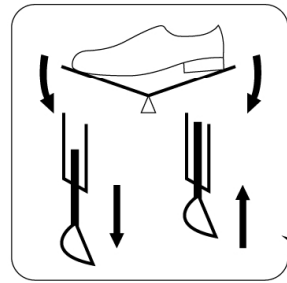




<b>Item</b>	<b>Part No.</b>	<b>Qty.</b>	<b>English</b>	<b>French</b>	<b>German</b>	<b>Spanish</b>	<b>Remarks</b>
31	6102788M1	1	Fixing Bracket	Patte Fixation	Halter	Brida De Fijación	
32	1462583M1	1	Plate-Clamp	Plaque	Platte	Placa	
33	1441500X1	2	Nut M6 Z5 Nyloc	Ecrou	Flachmutter M6	Tuerca De Retención	



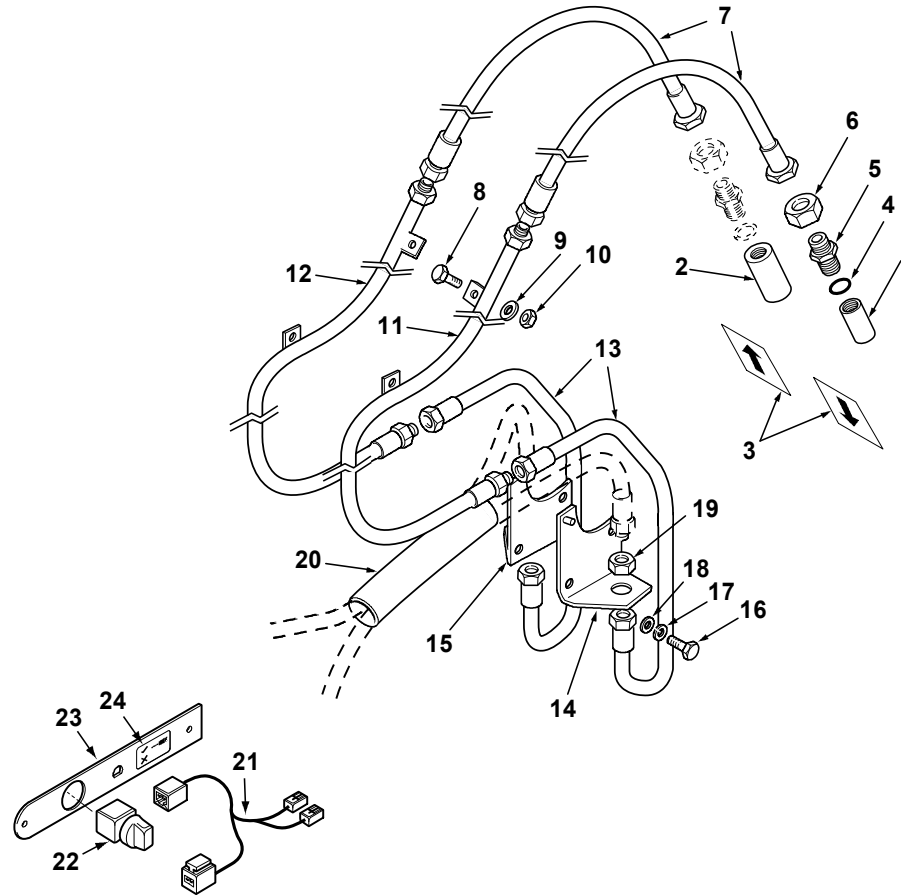
C-80004-03.1-B



Item	Part No.	Qty.	English	French	German	Spanish	Remarks
1	6106874M91	1	Pedal-Ext.Hoe	Ensemble De Pédale	Pedal	Pedal, Conj.	
2	6106734M1	1	Block-Nylon Pivot	Bloc Pivot	Drehzapfen	Pivote	
3	3001758X1	2	Screw M6-50 Sz8 Hex	Goupille	Bolzen M6 X 50	Tornillo	
4	3519538M1	1	Plate Base	Plaque De Base	Grundplatte	Placa De Base	
5	339679X1	1	Bolt M10x60	Vis	Schraube	Perno	
6	6106866M1	2	Bush-Ext. Hoe	Douille	Büchse	Anillo	
7	1440329X1	1	Nut, Hex. - Nyloc, M10	Ecrou Blocage	Flachmutter M10	Tuerca De Retención	
8	394367X1	1	Nut, Hex. - Nyloc, M8	Ecrou Blocage M8	Flachmutter - M8	Tuerca De Retención	
9	6106724M92	1	Rod-Exthoe	Tringlerie	Gestänge	Tirantes, Conj.	
10	3517518M1	1	Ball Joint M8	Rotule	Kugelgelenk	Rotula	
11	339169X1	1	Nut, Hex. - M8, Coarse	Ecrou Métrique	Mutter Metrisch	Tuerca	
12	#ROD	1	Rod	Rod	Rod	Rod	Ref.9
13	3519650M1	1	Nut, Hex - M8, L/H Thread	Ecrou	Mutter	Tuerca	
14	3520666M1	1	Pin W/ Spring Clip	Axe De Chape	Gabelstift	Eje De Brida	
15	3519590M1	1	Clevis LH Thread	Chape	Gabelverbindung	Brida	
16	6101865M2	1	Decal - Extendahoe	Adhésif	Aufkleber	Adhesivo	



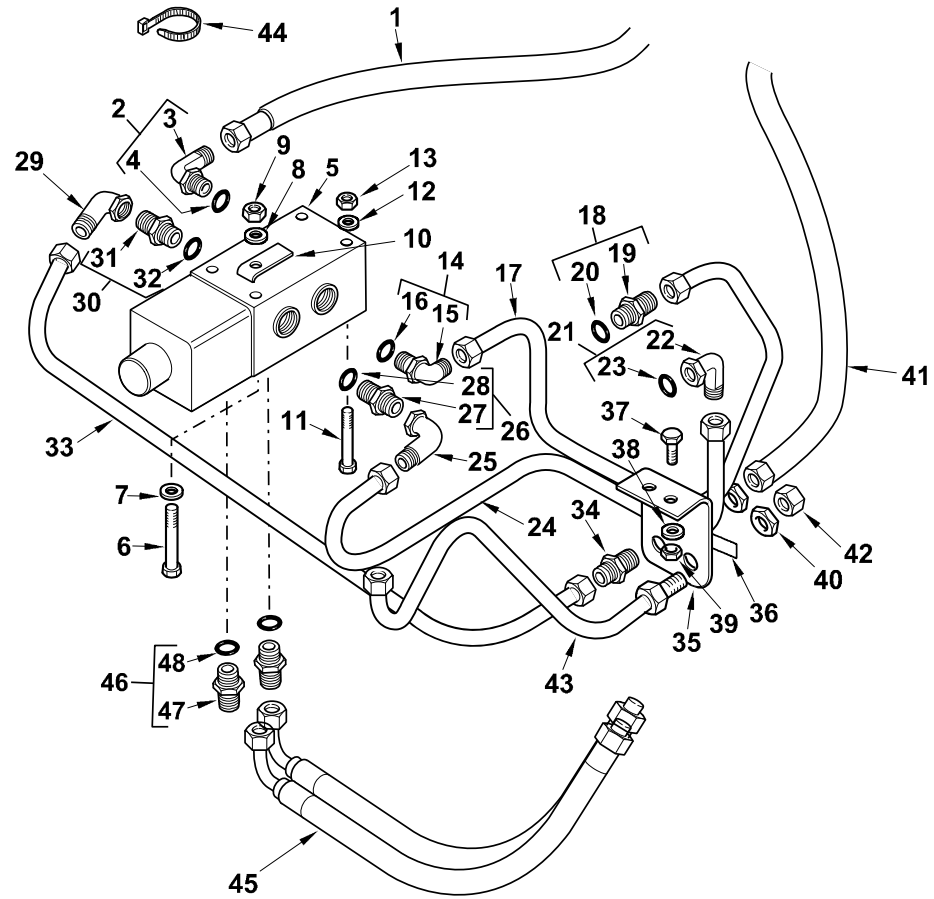
C-80009-01.1-A



Item	Part No.	Qty.	English	French	German	Spanish	Remarks
1	3516796M91	1	Coupling Male Q/Rel	Coupleur Male	Kuppist Innen	Acoplador Rápido	
2	3516795M91	1	Coupling Female Q/Rel	Coupleur Femelle	Kuppist Aussen	Acoplamiento Rápido	
3	6106080M1	2	Decal-Arrow	Adhésif	Aufkleber	Adhesivo	
4	835025M1	2	Ring O	Joint Torique	O Ring	Junta De Tipo O	
5	356269X1	2	Connector, Straight - Hydraulic	Passe-Cloison	Doppelnippel	Pasatabiques	
6	355575X1	2	Nut 1 1/16-12 Bkhd Loc	Ecrou Blocage	Flachmutter	Tuerca De Retención	
7	6106190M91	2	Hose-Aux Dipper	Flexible Ass.	Schlauch Kpl	Flexible, Conj.	
8	339761X1	4	Bolt M8-25 Z5f	Goupille	Bolzen M8 X 25	Tornillo	
9	390972X1	4	Washer M8-17-1 Zwl	Rondelle M8	Scheibe - M8	Arandela	
10	394367X1	4	Nut, Hex. - Nyloc, M8	Ecrou Blocage M8	Flachmutter - M8	Tuerca De Retención	
11	6106186M92	1	Tube-Aux Boom 4.5 LH	Ensemble Tube	Rohr Kpl	Conjunto De Tubería	
12	6106188M92	1	Tube-Aux Boom 4.5 RH	Ensemble Tube	Rohr Kpl	Conjunto De Tubería	
13	6106746M91	2	Hose Assy.	Flexible Ass.	Schlauch Kpl	Flexible, Conj.	
14	3517380M93	1	Bracket-Aux Hyd	Patte Fixation	Halter	Cuchara, Conj.	
15	3517379M2	1	Bracket - Hose RH (Plain) - Nla	Support Fixation	Haltearm	Soporte	
16	339123X1	4	Bolt M8-20 Z5f	Boulon M8 X 20	Maschschraube M8	Perno	
17	339374X1	4	Washer M8 -21-2 Z	Rondelle Frein - M8	Federring - M8	Arandela De Freno	
18	390972X1	4	Washer M8-17-1 Zwl	Rondelle M8	Scheibe - M8	Arandela	
19	355575X1	2	Nut 1 1/16-12 Bkhd Loc	Ecrou Blocage	Flachmutter	Tuerca De Retención	
20	6106082M1	1	Hose-Sleeve	Chemise	Büchse	Camisa	
21	6107467M92	1	Harness-Hammer ISO Valve	Faisceau Ass.	Kabelbaum	Haz, Conj.	
22	6107165M91	1	Switch Assy Hammer	Commutateur Ass.	Schalter	Conmutador, Conj.	
23	6110013M1	1	Auxiliary Switch Plate 4ws	Plaque	Platte	Placa	
24	6109933M1	1	Decal - Aux Hydraulics	Adhésif	Aufkleber	Adhesivo	



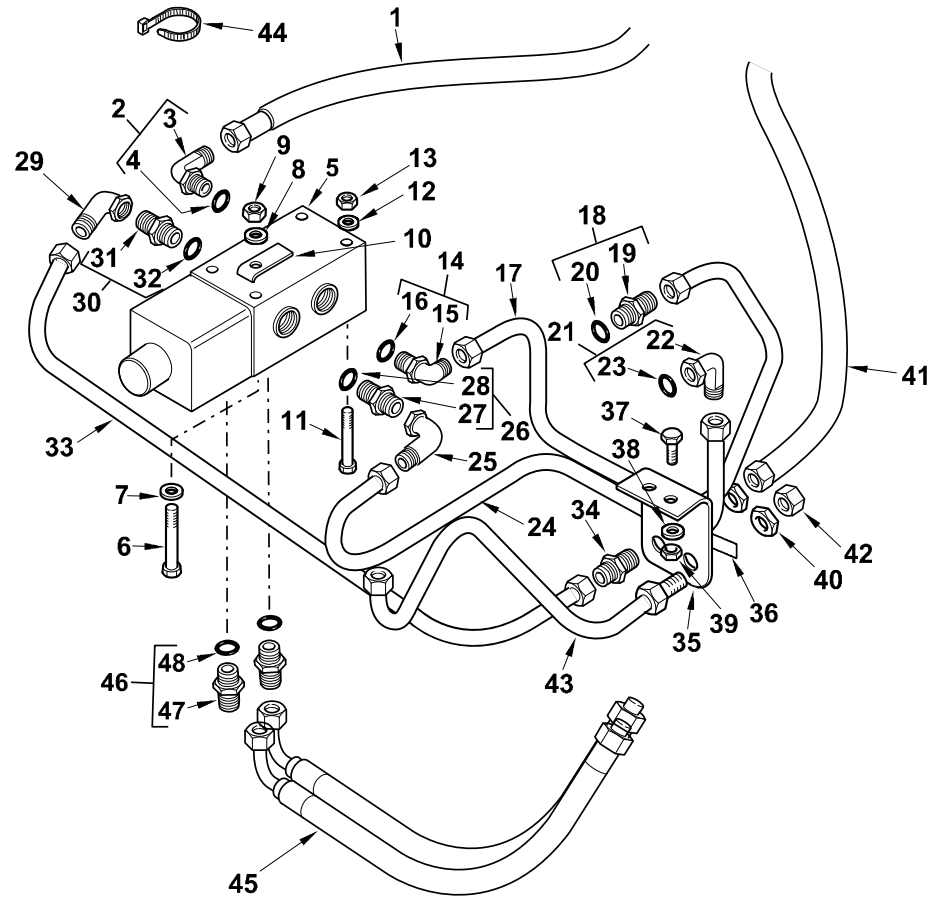
C-80009-02.1-B



Item	Part No.	Qty.	English	French	German	Spanish	Remarks
1	6107468M92	1	Hose Assy. - Aux. Hydrs., Centremount	Flexible Ass.	Schlauch Kpl	Flexible, Conj.	
2	358764X91	1	Elbow 90 Deg	Coude 90°	Kniestück, 90°	Codo, 90°	
3	#ELBOW	1	Elbow	Elbow	Elbow	Elbow	Ref. 2
4	835025M1	1	Ring O	Joint Torique	O Ring	Junta De Tipo O	
5	6111538M91	1	Valve - Changeover	Soupape	Ventil	Válvula De Prioridad	Ecn06/091
5	6108292M91	1	Valve-Changeover	Soupape De Priorité	Vorrangventil	Válvula De Prioridad	Ecn06/091
6	3004715X1	2	Capscrew - M8 X 60 ISO 10.9 (Zinc)	Vis Bouchon M8 X 60	Hutschraube M8 X 60	Tornillo	Ecn06/091
6	3019894X1	3	Bolt M6 X 100	Goupille	Bolzen M6 X 100	Tornillo	Ecn06/091
7	391038X1	3	Washer M6 - Large Zinc Hardened	Rondelle	Scheibe	Arandela	Ecn06/091
8	390972X1	2	Washer M8-17-1 Zwl	Rondelle M8	Scheibe - M8	Arandela	Ecn06/091
8	390971X1	3	Washer M6-12-1 Zwl	Rondelle - M6	Scheibe - M6	Arandela	Ecn06/091
9	394367X1	2	Nut, Hex. - Nyloc, M8	Ecrou Blocage M8	Flachmutter - M8	Tuerca De Retención	Ecn06/091
9	1441500X1	3	Nut M6 Z5 Nyloc	Ecrou	Flachmutter M6	Tuerca De Retención	Ecn06/091
10	6108445M1	1	Plate-Mtg Lug	Patte De Fixation	Anschweislasche	Pata De Fijación	Ecn06/091
11	3001758X1	1	Screw M6-50 Sz8 Hex	Goupille	Bolzen M6 X 50	Tornillo	Ecn06/091
12	390971X1	2	Washer M6-12-1 Zwl	Rondelle - M6	Scheibe - M6	Arandela	Ecn06/091
13	1441500X1	1	Nut M6 Z5 Nyloc	Ecrou	Flachmutter M6	Tuerca De Retención	Ecn06/091
14	358764X91	1	Elbow 90 Deg	Coude 90°	Kniestück, 90°	Codo, 90°	
15	#ELBOW	1	Elbow	Elbow	Elbow	Elbow	Ref. 11
16	835025M1	1	Ring O	Joint Torique	O Ring	Junta De Tipo O	
17	6109620M91	1	Tube Assy - Aux Hydraulics	Tuyauterie	Rohr Kpl	Conjunto De Tubería	
18	835057M91	1	Connector B1510m-12-12	Raccord	Schraubanschluss	Conexión, Conj.	
19	#CONNECTOR	1	Connector	Connector	Connector	Connector	Ref. 17
20	835025M1	1	Ring O	Joint Torique	O Ring	Junta De Tipo O	
21	358764X91	1	Elbow 90 Deg	Coude 90°	Kniestück, 90°	Codo, 90°	
22	#ELBOW	1	Elbow	Elbow	Elbow	Elbow	Ref. 18
23	835025M1	1	Ring O	Joint Torique	O Ring	Junta De Tipo O	
24	6109622M91	1	Tube Assy - Aux Hydraulics	Tuyauterie	Rohrleitung Kplt	Conjunto De Tubería	
25	366462X1	1	Elbow Swivel	Coude À 90°	Winkelstuck	Codo, 90°	
26	835057M91	1	Connector B1510m-12-12	Raccord	Schraubanschluss	Conexión, Conj.	



C-80009-02.1-B

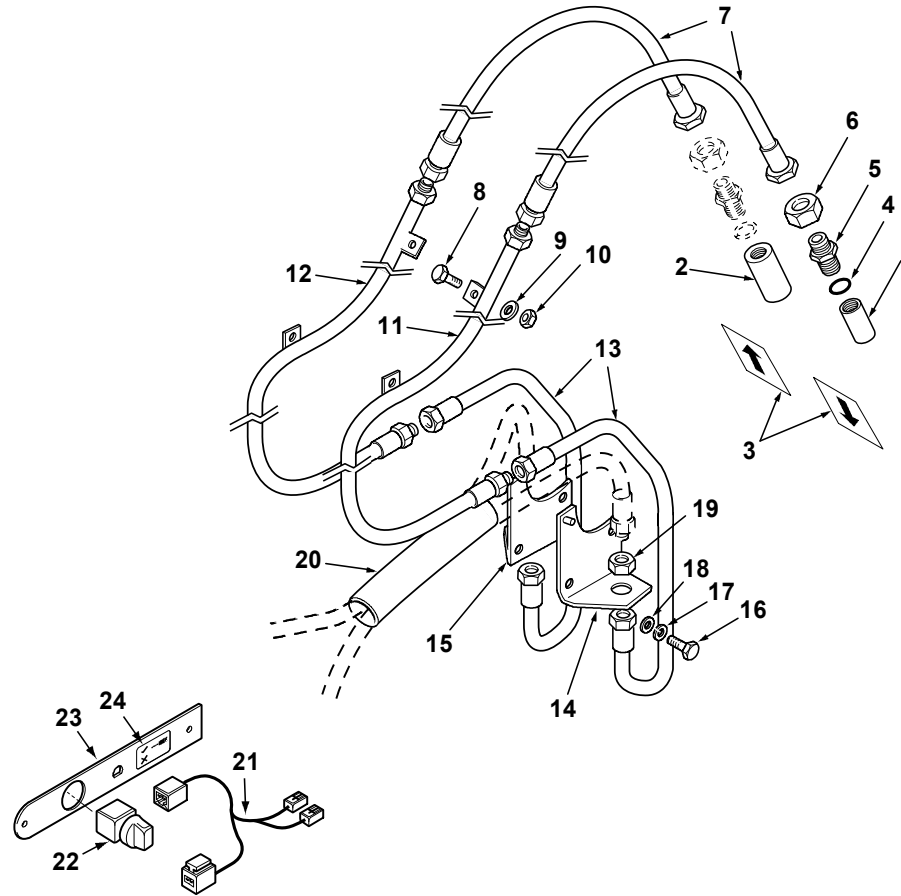




Item	Part No.	Qty.	English	French	German	Spanish	Remarks
27	#CONNECTOR	1	Connector	Connector	Connector	Connector	Ref. 23
28	835025M1	1	Ring O	Joint Torique	O Ring	Junta De Tipo O	
29	366462X1	1	Elbow Swivel	Coude À 90°	Winkelstuck	Codo, 90°	
30	835057M91	1	Connector B1510m-12-12	Raccord	Schraubanschluss	Conexión, Conj.	
31	#CONNECTOR	1	Connector	Connector	Connector	Connector	Ref. 27
32	835025M1	1	Ring O	Joint Torique	O Ring	Junta De Tipo O	
33	6109766M91	1	Tube Assy	Tuyauterie	Rohr Kpl	Conjunto De Tubería	
34	356269X1	1	Connector, Straight - Hydraulic	Passe-Cloison	Doppelnippel	Pasatabiques	
35	6109769M1	1	Bracket	Patte Fixation	Haltearm	Pata De Fijación	
36	6109770M1	1	Decal-Double Acting Hyds	Adhésif	Aufkleber	Adhesivo	
37	339804X1	2	Bolt, Hex, - M6 X 25	Goupille	Maschschrb Metr - M6	Tornillo	
38	390971X1	2	Washer M6-12-1 Zwl	Rondelle - M6	Scheibe - M6	Arandela	
39	1441500X1	2	Nut M6 Z5 Nyloc	Ecrou	Flachmutter M6	Tuerca De Retención	
40	355575X1	2	Nut 1 1/16-12 Bkhd Loc	Ecrou Blocage	Flachmutter	Tuerca De Retención	
41	6109768M91	1	Hose Assy	Flexible Ass.	Schlauch Kpl	Flexible, Conj.	
42	355782X1	1	Cap	Capuchon	Kappe	Obturador	
43	6110023M91	1	Tube Assy - Aux Hyds Return Cm	Tuyauterie	Rohr Kpl	Conjunto De Tubería	
44	1862425M1	6	Tie 385mm T50I	Attache Cable	Kabelbinder	Enlace De Cable	
45	6109552M91	2	Hose Assy.	Flexible Ass.	Schlauch Kpl	Flexible, Conj.	
46	365715X91	2	Connector, Hydr.-Straight, 1 1/16 X 7/8	Borne	Doppelnippel	Conexión, Conj.	
47	#CONNECTOR	1	Connector	Connector	Connector	Connector	Ref. 43
48	835025M1	1	Ring O	Joint Torique	O Ring	Junta De Tipo O	

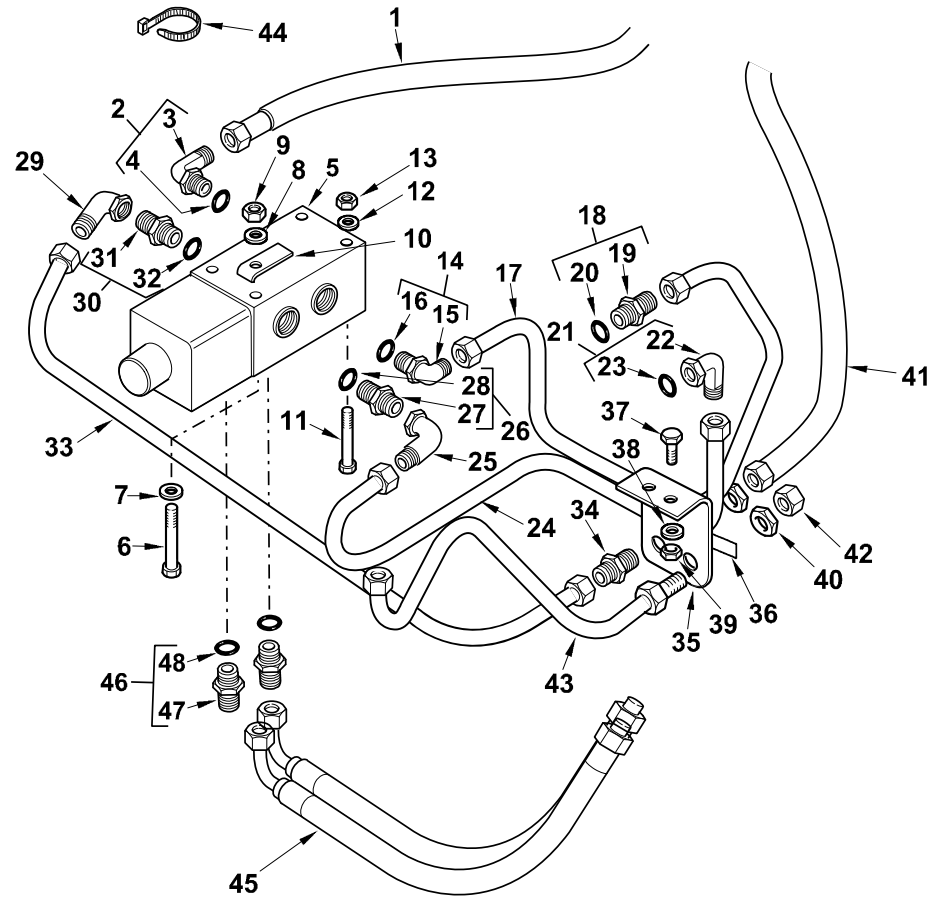


C-80010-01.1-A



Item	Part No.	Qty.	English	French	German	Spanish	Remarks
1	3516796M91	1	Coupling Male Q/Rel	Coupleur Male	Kuppist Innen	Acoplador Rápido	
2	3516795M91	1	Coupling Female Q/Rel	Coupleur Femelle	Kuppist Aussen	Acoplamiento Rápido	
3	6106080M1	2	Decal-Arrow	Adhésif	Aufkleber	Adhesivo	
4	835025M1	2	Ring O	Joint Torique	O Ring	Junta De Tipo O	
5	356269X1	2	Connector, Straight - Hydraulic	Passe-Cloison	Doppelnippel	Pasatabiques	
6	355575X1	2	Nut 1 1/16-12 Bkhd Loc	Ecrou Blocage	Flachmutter	Tuerca De Retención	
7	6106190M91	2	Hose-Aux Dipper	Flexible Ass.	Schlauch Kpl	Flexible, Conj.	
8	339761X1	4	Bolt M8-25 Z5f	Goupille	Bolzen M8 X 25	Tornillo	
9	390972X1	4	Washer M8-17-1 Zwl	Rondelle M8	Scheibe - M8	Arandela	
10	394367X1	4	Nut, Hex. - Nyloc, M8	Ecrou Blocage M8	Flachmutter - M8	Tuerca De Retención	
11	6106234M92	1	Tube Assy - Aux-Boom 4.9 LH	Ensemble Tube	Rohr Kpl	Conjunto De Tubería	
12	6106236M92	1	Tube Assy - Aux-Boom 4.9 RH	Ensemble Tube	Rohr Kpl	Conjunto De Tubería	
13	6106746M91	2	Hose Assy.	Flexible Ass.	Schlauch Kpl	Flexible, Conj.	
14	3517380M93	1	Bracket-Aux Hyd	Patte Fixation	Halter	Cuchara, Conj.	
15	3517379M2	1	Bracket - Hose RH (Plain) - Nla	Support Fixation	Haltearm	Soporte	
16	339123X1	4	Bolt M8-20 Z5f	Boulon M8 X 20	Maschschraube M8	Perno	
17	339374X1	4	Washer M8 -21-2 Z	Rondelle Frein - M8	Federring - M8	Arandela De Freno	
18	390972X1	4	Washer M8-17-1 Zwl	Rondelle M8	Scheibe - M8	Arandela	
19	355575X1	2	Nut 1 1/16-12 Bkhd Loc	Ecrou Blocage	Flachmutter	Tuerca De Retención	
20	6106082M1	1	Hose-Sleeve	Chemise	Büchse	Camisa	
21	6107467M92	1	Harness-Hammer ISO Valve	Faisceau Ass.	Kabelbaum	Haz, Conj.	
22	6107165M91	1	Switch Assy Hammer	Commutateur Ass.	Schalter	Conmutador, Conj.	
23	6110013M1	1	Auxiliary Switch Plate 4ws	Plaque	Platte	Placa	
24	6109933M1	1	Decal - Aux Hydraulics	Adhésif	Aufkleber	Adhesivo	

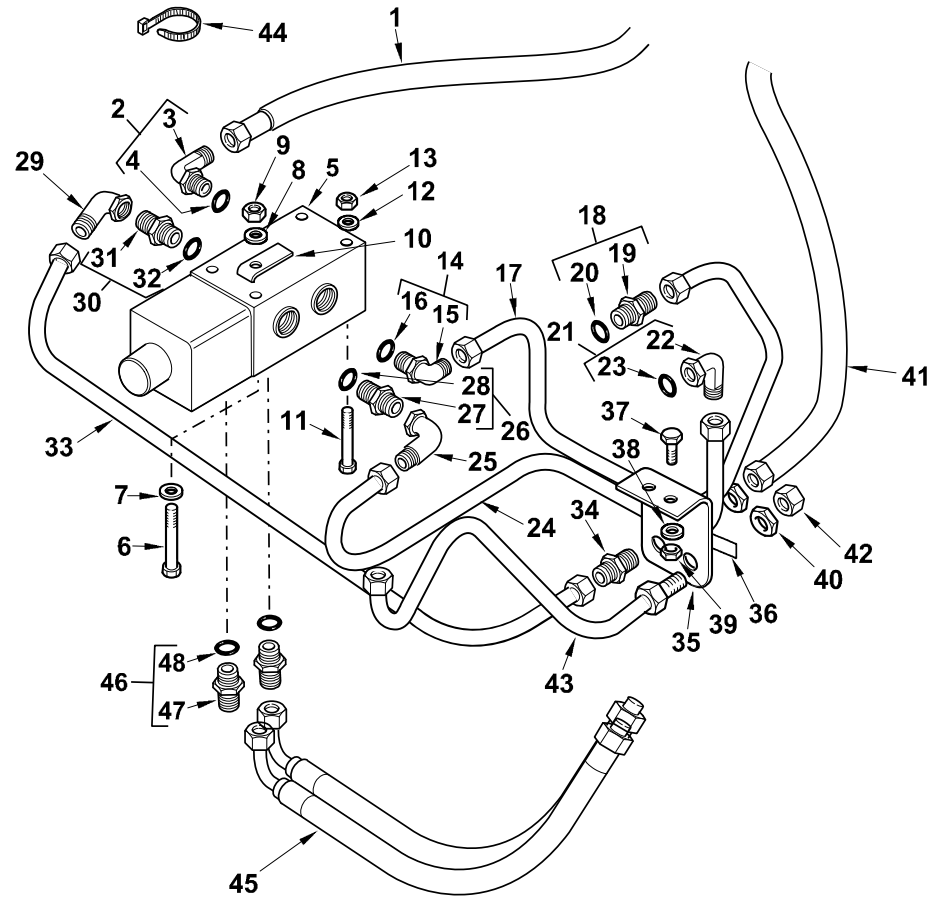
C-80010-02.1-B



Item	Part No.	Qty.	English	French	German	Spanish	Remarks
1	6107468M92	1	Hose Assy. - Aux. Hydrs., Centremount	Flexible Ass.	Schlauch Kpl	Flexible, Conj.	
2	358764X91	1	Elbow 90 Deg	Coude 90°	Kniestück, 90°	Codo, 90°	
3	#ELBOW	1	Elbow	Elbow	Elbow	Elbow	Ref. 2
4	835025M1	1	Ring O	Joint Torique	O Ring	Junta De Tipo O	
5	6108292M91	1	Valve-Changeover	Soupape De Priorité	Vorrangventil	Válvula De Prioridad	Ecn06/091
5	6111538M91	1	Valve - Changeover	Soupape	Ventil	Válvula De Prioridad	Ecn06/091
6	3019894X1	3	Bolt M6 X 100	Goupille	Bolzen M6 X 100	Tornillo	Ecn06/091
6	3004715X1	2	Capscrew - M8 X 60 ISO 10.9 (Zinc)	Vis Bouchon M8 X 60	Hutschraube M8 X 60	Tornillo	Ecn06/091
7	391038X1	3	Washer M6 - Large Zinc Hardened	Rondelle	Scheibe	Arandela	Ecn06/091
8	390972X1	2	Washer M8-17-1 Zwl	Rondelle M8	Scheibe - M8	Arandela	Ecn06/091
8	390971X1	3	Washer M6-12-1 Zwl	Rondelle - M6	Scheibe - M6	Arandela	Ecn06/091
9	394367X1	2	Nut, Hex. - Nyloc, M8	Ecrou Blocage M8	Flachmutter - M8	Tuerca De Retención	Ecn06/091
9	1441500X1	3	Nut M6 Z5 Nyloc	Ecrou	Flachmutter M6	Tuerca De Retención	Ecn06/091
10	6108445M1	1	Plate-Mtg Lug	Patte De Fixation	Anschweislasche	Pata De Fijación	Ecn06/091
11	3001758X1	1	Screw M6-50 Sz8 Hex	Goupille	Bolzen M6 X 50	Tornillo	Ecn06/091
12	390971X1	2	Washer M6-12-1 Zwl	Rondelle - M6	Scheibe - M6	Arandela	Ecn06/091
13	1441500X1	1	Nut M6 Z5 Nyloc	Ecrou	Flachmutter M6	Tuerca De Retención	Ecn06/091
14	358764X91	1	Elbow 90 Deg	Coude 90°	Kniestück, 90°	Codo, 90°	
15	#ELBOW	1	Elbow	Elbow	Elbow	Elbow	Ref. 11
16	835025M1	1	Ring O	Joint Torique	O Ring	Junta De Tipo O	
17	6109620M91	1	Tube Assy - Aux Hydraulics	Tuyauterie	Rohr Kpl	Conjunto De Tubería	
18	835057M91	1	Connector B1510m-12-12	Raccord	Schraubanschluss	Conexión, Conj.	
19	#CONNECTOR	1	Connector	Connector	Connector	Connector	Ref. 15
20	835025M1	1	Ring O	Joint Torique	O Ring	Junta De Tipo O	
21	358764X91	1	Elbow 90 Deg	Coude 90°	Kniestück, 90°	Codo, 90°	
22	#ELBOW	1	Elbow	Elbow	Elbow	Elbow	Ref. 18
23	835025M1	1	Ring O	Joint Torique	O Ring	Junta De Tipo O	
24	6109622M91	1	Tube Assy - Aux Hydraulics	Tuyauterie	Rohrleitung Kplt	Conjunto De Tubería	
25	366462X1	1	Elbow Swivel	Coude À 90°	Winkelstuck	Codo, 90°	
26	835057M91	1	Connector B1510m-12-12	Raccord	Schraubanschluss	Conexión, Conj.	



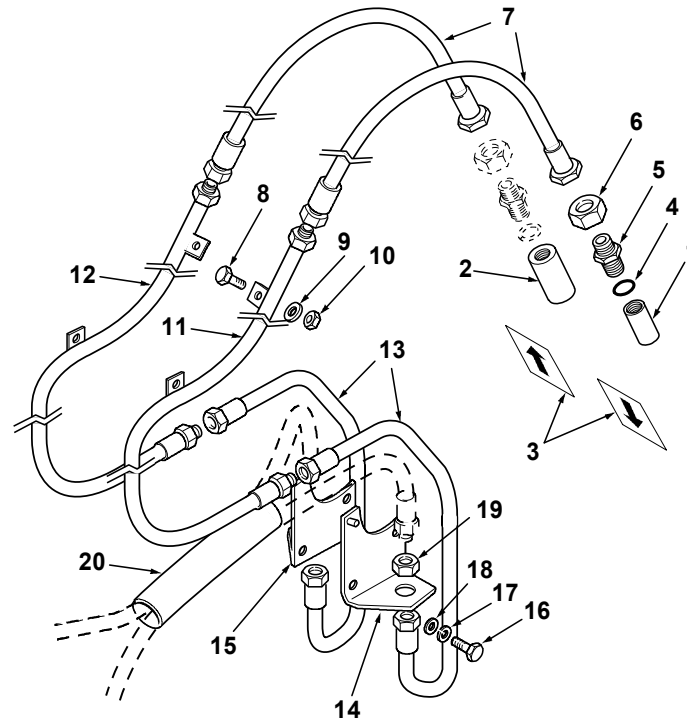
C-80010-02.1-B



Item	Part No.	Qty.	English	French	German	Spanish	Remarks
27	#CONNECTOR	1	Connector	Connector	Connector	Connector	Ref. 23
28	835025M1	1	Ring O	Joint Torique	O Ring	Junta De Tipo O	
29	366462X1	1	Elbow Swivel	Coude À 90°	Winkelstuck	Codo, 90°	
30	835057M91	1	Connector B1510m-12-12	Raccord	Schraubanschluss	Conexión, Conj.	
31	#CONNECTOR	1	Connector	Connector	Connector	Connector	Ref. 27
32	835025M1	1	Ring O	Joint Torique	O Ring	Junta De Tipo O	
33	6109766M91	1	Tube Assy	Tuyauterie	Rohr Kpl	Conjunto De Tubería	
34	356269X1	1	Connector, Straight - Hydraulic	Passe-Cloison	Doppelnippel	Pasatabiques	
35	6109769M1	1	Bracket	Patte Fixation	Haltearm	Pata De Fijación	
36	6109770M1	1	Decal-Double Acting Hyds	Adhésif	Aufkleber	Adhesivo	
37	339804X1	2	Bolt, Hex, - M6 X 25	Goupille	Maschschrb Metr - M6	Tornillo	
38	390971X1	2	Washer M6-12-1 Zwel	Rondelle - M6	Scheibe - M6	Arandela	
39	1441500X1	2	Nut M6 Z5 Nyloc	Ecrou	Flachmutter M6	Tuerca De Retención	
40	355575X1	2	Nut 1 1/16-12 Bkhd Loc	Ecrou Blocage	Flachmutter	Tuerca De Retención	
41	6109768M91	1	Hose Assy	Flexible Ass.	Schlauch Kpl	Flexible, Conj.	
42	355782X1	1	Cap	Capuchon	Kappe	Obturador	
43	6110023M91	1	Tube Assy - Aux Hyds Return Cm	Tuyauterie	Rohr Kpl	Conjunto De Tubería	
44	1862425M1	6	Tie 385mm T50l	Attache Cable	Kabelbinder	Enlace De Cable	
45	6109552M91	2	Hose Assy.	Flexible Ass.	Schlauch Kpl	Flexible, Conj.	
46	365715X91	2	Connector, Hydr.-Straight, 1 1/16 X 7/8	Borne	Doppelnippel	Conexión, Conj.	
47	#CONNECTOR	1	Connector	Connector	Connector	Connector	Ref. 43
48	835025M1	1	Ring O	Joint Torique	O Ring	Junta De Tipo O	



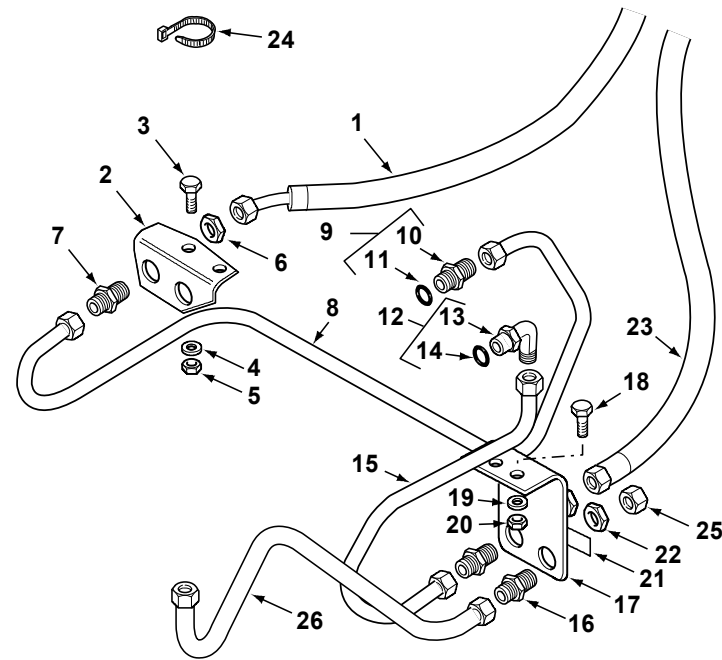
C-80011-01.1-A





Item	Part No.	Qty.	English	French	German	Spanish	Remarks
1	3516796M91	1	Coupling Male Q/Rel	Coupleur Male	Kuppist Innen	Acoplador Rápido	
2	3516795M91	1	Coupling Female Q/Rel	Coupleur Femelle	Kuppist Aussen	Acoplamiento Rápido	
3	6106080M1	2	Decal-Arrow	Adhésif	Aufkleber	Adhesivo	
4	835025M1	2	Ring O	Joint Torique	O Ring	Junta De Tipo O	
5	356269X1	2	Connector, Straight - Hydraulic	Passe-Cloison	Doppelnippel	Pasatabiques	
6	355575X1	2	Nut 1 1/16-12 Bkhd Loc	Ecrou Blocage	Flachmutter	Tuerca De Retención	
7	6106190M91	2	Hose-Aux Dipper	Flexible Ass.	Schlauch Kpl	Flexible, Conj.	
8	339761X1	4	Bolt M8-25 Z5f	Goupille	Bolzen M8 X 25	Tornillo	
9	390972X1	4	Washer M8-17-1 Zwl	Rondelle M8	Scheibe - M8	Arandela	
10	394367X1	4	Nut, Hex. - Nyloc, M8	Ecrou Blocage M8	Flachmutter - M8	Tuerca De Retención	
11	6106186M92	1	Tube-Aux Boom 4.5 LH	Ensemble Tube	Rohr Kpl	Conjunto De Tubería	
12	6106188M92	1	Tube-Aux Boom 4.5 RH	Ensemble Tube	Rohr Kpl	Conjunto De Tubería	
13	6106746M91	2	Hose Assy.	Flexible Ass.	Schlauch Kpl	Flexible, Conj.	
14	3517380M93	1	Bracket-Aux Hyd	Patte Fixation	Halter	Cuchara, Conj.	
15	3517379M2	1	Bracket - Hose RH (Plain) - Nla	Support Fixation	Haltearm	Soporte	
16	339123X1	4	Bolt M8-20 Z5f	Boulon M8 X 20	Maschschraube M8	Perno	
17	339374X1	4	Washer M8 -21-2 Z	Rondelle Frein - M8	Federring - M8	Arandela De Freno	
18	390972X1	4	Washer M8-17-1 Zwl	Rondelle M8	Scheibe - M8	Arandela	
19	355575X1	2	Nut 1 1/16-12 Bkhd Loc	Ecrou Blocage	Flachmutter	Tuerca De Retención	
20	6106082M1	1	Hose-Sleeve	Chemise	Büchse	Camisa	

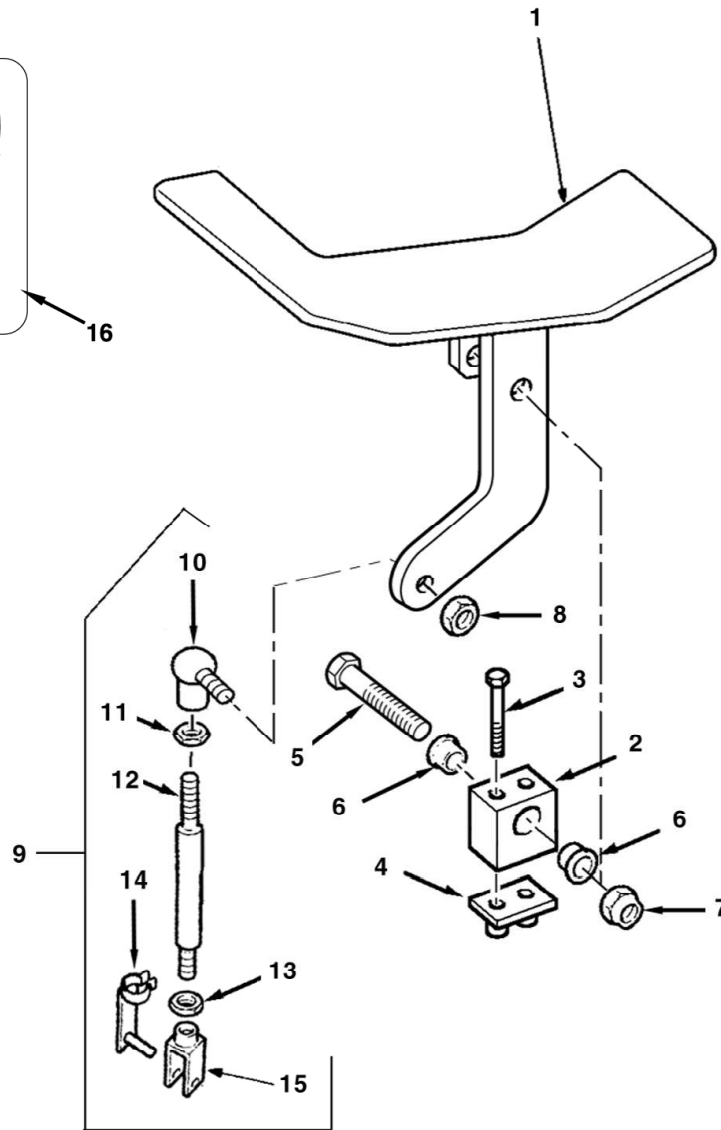
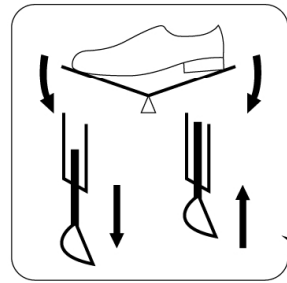
C-80011-02.1-A



Item	Part No.	Qty.	English	French	German	Spanish	Remarks
1	6107468M92	1	Hose Assy. - Aux. Hydrs., Centremount	Flexible Ass.	Schlauch Kpl	Flexible, Conj.	
2	6110076M1	1	Bracket - Aux Hydraulics Cm	Patte Fixation	Haltearm	Pata De Fijación	
3	339804X1	2	Bolt, Hex, - M6 X 25	Goupille	Maschschrb Metr - M6	Tornillo	
4	390971X1	2	Washer M6-12-1 Zwl	Rondelle - M6	Scheibe - M6	Arandela	
5	1441500X1	2	Nut M6 Z5 Nyloc	Ecrou	Flachmutter M6	Tuerca De Retención	
6	355575X1	1	Nut 1 1/16-12 Bkhd Loc	Ecrou Blocage	Flachmutter	Tuerca De Retención	
7	356269X1	1	Connector, Straight - Hydraulic	Passe-Cloison	Doppelnippel	Pasatabiques	
8	6110077M91	1	Tube Assy - Aux Hydraulics Cm	Tuyauterie	Rohr Kpl	Conjunto De Tubería	
9	835057M91	1	Connector B1510m-12-12	Raccord	Schraubanschluss	Conexión, Conj.	
10	#CONNECTOR	1	Connector	Connector	Connector	Connector	Ref. 9
11	835025M1	1	Ring O	Joint Torique	O Ring	Junta De Tipo O	
12	358764X91	1	Elbow 90 Deg	Coude 90°	Kniestück, 90°	Codo, 90°	
13	#ELBOW	1	Elbow	Elbow	Elbow	Elbow	Ref. 12
14	835025M1	1	Ring O	Joint Torique	O Ring	Junta De Tipo O	
15	6110079M91	1	Tube Assy - Aux Hyds Cm	Tuyauterie	Rohrleitung Kplt	Conjunto De Tubería	
16	356269X1	1	Connector, Straight - Hydraulic	Passe-Cloison	Doppelnippel	Pasatabiques	
17	6109769M1	1	Bracket	Patte Fixation	Haltearm	Pata De Fijación	
18	339804X1	2	Bolt, Hex, - M6 X 25	Goupille	Maschschrb Metr - M6	Tornillo	
19	390971X1	2	Washer M6-12-1 Zwl	Rondelle - M6	Scheibe - M6	Arandela	
20	1441500X1	2	Nut M6 Z5 Nyloc	Ecrou	Flachmutter M6	Tuerca De Retención	
21	6109770M1	1	Decal-Double Acting Hyds	Adhésif	Aufkleber	Adhesivo	
22	355575X1	2	Nut 1 1/16-12 Bkhd Loc	Ecrou Blocage	Flachmutter	Tuerca De Retención	
23	6109768M91	1	Hose Assy	Flexible Ass.	Schlauch Kpl	Flexible, Conj.	
24	1862425M1	6	Tie 385mm T50l	Attache Cable	Kabelbinder	Enlace De Cable	
25	355782X1	1	Cap	Capuchon	Kappe	Obturador	
26	6110023M91	1	Tube Assy - Aux Hyds Return Cm	Tuyauterie	Rohr Kpl	Conjunto De Tubería	



C-80011-03.1-B



Item	Part No.	Qty.	English	French	German	Spanish	Remarks
1	6106874M91	1	Pedal-Ext.Hoe	Ensemble De Pédale	Pedal	Pedal, Conj.	
2	6106734M1	1	Block-Nylon Pivot	Bloc Pivot	Drehzapfen	Pivote	
3	3001758X1	2	Screw M6-50 Sz8 Hex	Goupille	Bolzen M6 X 50	Tornillo	
4	3519538M1	1	Plate Base	Plaque De Base	Grundplatte	Placa De Base	
5	339679X1	1	Bolt M10x60	Vis	Schraube	Perno	
6	6106866M1	2	Bush-Ext. Hoe	Douille	Büchse	Anillo	
7	1440329X1	1	Nut, Hex. - Nyloc, M10	Ecrou Blocage	Flachmutter M10	Tuerca De Retención	
8	394367X1	1	Nut, Hex. - Nyloc, M8	Ecrou Blocage M8	Flachmutter - M8	Tuerca De Retención	
9	6106724M92	1	Rod-Exthoe	Tringlerie	Gestänge	Tirantes, Conj.	
10	3517518M1	1	Ball Joint M8	Rotule	Kugelgelenk	Rotula	
11	339169X1	1	Nut, Hex. - M8, Coarse	Ecrou Métrique	Mutter Metrisch	Tuerca	
12	#ROD	1	Rod	Rod	Rod	Rod	Ref.9
13	3519650M1	1	Nut, Hex - M8, L/H Thread	Ecrou	Mutter	Tuerca	
14	3520666M1	1	Pin W/ Spring Clip	Axe De Chape	Gabelstift	Eje De Brida	
15	3519590M1	1	Clevis LH Thread	Chape	Gabelverbindung	Brida	
16	6101865M2	1	Decal - Extendahoe	Adhésif	Aufkleber	Adhesivo	

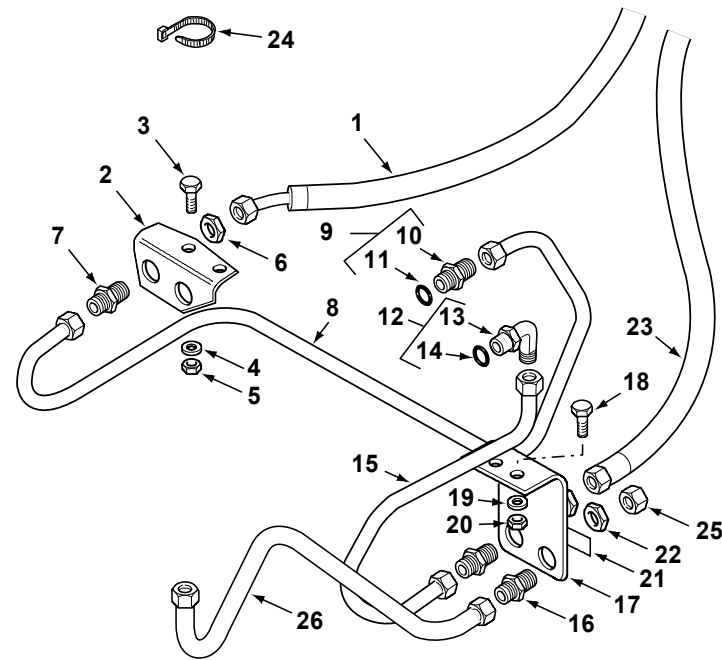




Item	Part No.	Qty.	English	French	German	Spanish	Remarks
1	3516796M91	1	Coupling Male Q/Rel	Coupleur Male	Kuppist Innen	Acoplador Rápido	
2	3516795M91	1	Coupling Female Q/Rel	Coupleur Femelle	Kuppist Aussen	Acoplamiento Rápido	
3	6106080M1	2	Decal-Arrow	Adhésif	Aufkleber	Adhesivo	
4	835025M1	2	Ring O	Joint Torique	O Ring	Junta De Tipo O	
5	356269X1	2	Connector, Straight - Hydraulic	Passe-Cloison	Doppelnippel	Pasatabiques	
6	355575X1	2	Nut 1 1/16-12 Bkhd Loc	Ecrou Blocage	Flachmutter	Tuerca De Retención	
7	6106190M91	2	Hose-Aux Dipper	Flexible Ass.	Schlauch Kpl	Flexible, Conj.	
8	339761X1	4	Bolt M8-25 Z5f	Goupille	Bolzen M8 X 25	Tornillo	
9	390972X1	4	Washer M8-17-1 Zwl	Rondelle M8	Scheibe - M8	Arandela	
10	394367X1	4	Nut, Hex. - Nyloc, M8	Ecrou Blocage M8	Flachmutter - M8	Tuerca De Retención	
11	6106234M92	1	Tube Assy - Aux-Boom 4.9 LH	Ensemble Tube	Rohr Kpl	Conjunto De Tubería	
12	6106236M92	1	Tube Assy - Aux-Boom 4.9 RH	Ensemble Tube	Rohr Kpl	Conjunto De Tubería	
13	6106746M91	2	Hose Assy.	Flexible Ass.	Schlauch Kpl	Flexible, Conj.	
14	3517380M93	1	Bracket-Aux Hyd	Patte Fixation	Halter	Cuchara, Conj.	
15	3517379M2	1	Bracket - Hose RH (Plain) - Nla	Support Fixation	Haltearm	Soporte	
16	339123X1	4	Bolt M8-20 Z5f	Boulon M8 X 20	Maschschraube M8	Perno	
17	339374X1	4	Washer M8 -21-2 Z	Rondelle Frein - M8	Federring - M8	Arandela De Freno	
18	390972X1	4	Washer M8-17-1 Zwl	Rondelle M8	Scheibe - M8	Arandela	
19	355575X1	2	Nut 1 1/16-12 Bkhd Loc	Ecrou Blocage	Flachmutter	Tuerca De Retención	
20	6106082M1	1	Hose-Sleeve	Chemise	Büchse	Camisa	



C-80012-02.1-A

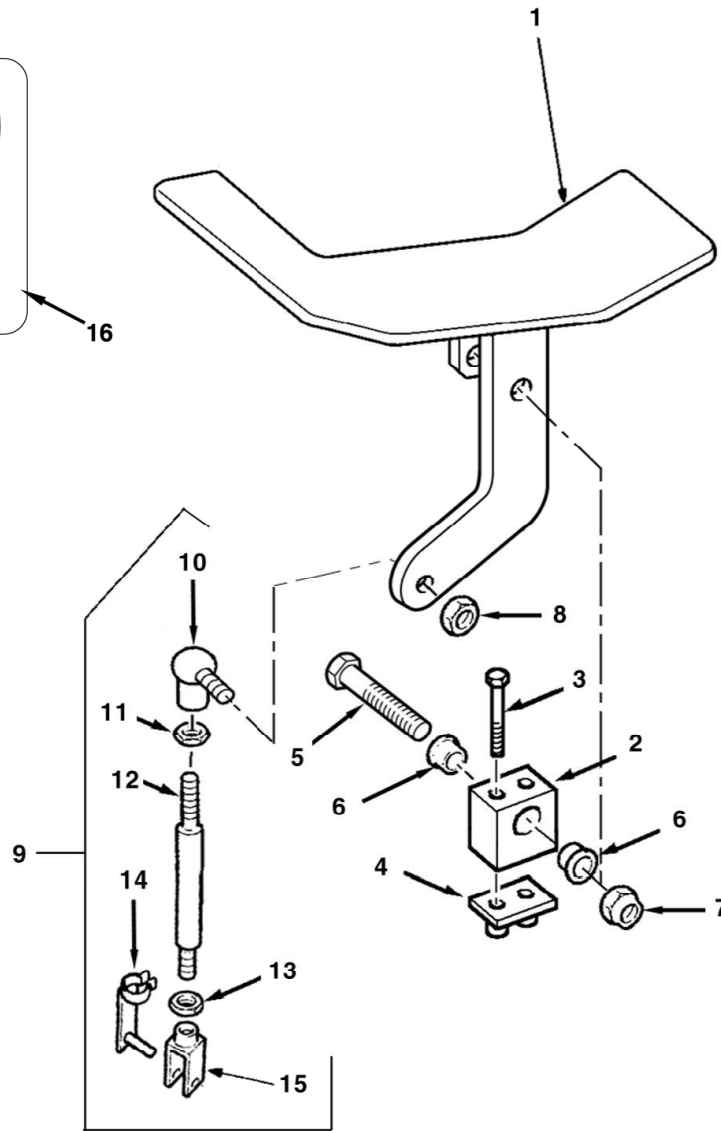
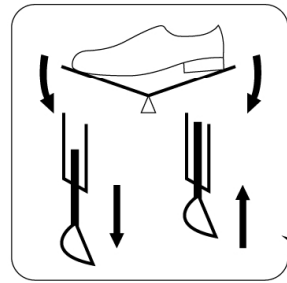




Item	Part No.	Qty.	English	French	German	Spanish	Remarks
1	6107468M92	1	Hose Assy. - Aux. Hydrs., Centremount	Flexible Ass.	Schlauch Kpl	Flexible, Conj.	
2	6110076M1	1	Bracket - Aux Hydraulics Cm	Patte Fixation	Haltearm	Pata De Fijación	
3	339804X1	2	Bolt, Hex, - M6 X 25	Goupille	Maschschrb Metr - M6	Tornillo	
4	390971X1	2	Washer M6-12-1 Zwl	Rondelle - M6	Scheibe - M6	Arandela	
5	1441500X1	2	Nut M6 Z5 Nyloc	Ecrou	Flachmutter M6	Tuerca De Retención	
6	355575X1	1	Nut 1 1/16-12 Bkhd Loc	Ecrou Blocage	Flachmutter	Tuerca De Retención	
7	356269X1	1	Connector, Straight - Hydraulic	Passe-Cloison	Doppelnippel	Pasatabiques	
8	6110077M91	1	Tube Assy - Aux Hydraulics Cm	Tuyauterie	Rohr Kpl	Conjunto De Tubería	
9	835057M91	1	Connector B1510m-12-12	Raccord	Schraubanschluss	Conexión, Conj.	
10	#CONNECTOR	1	Connector	Connector	Connector	Connector	Ref. 9
11	835025M1	1	Ring O	Joint Torique	O Ring	Junta De Tipo O	
12	358764X91	1	Elbow 90 Deg	Coude 90°	Kniestück, 90°	Codo, 90°	
13	#ELBOW	1	Elbow	Elbow	Elbow	Elbow	Ref. 12
14	835025M1	1	Ring O	Joint Torique	O Ring	Junta De Tipo O	
15	6110079M91	1	Tube Assy - Aux Hyds Cm	Tuyauterie	Rohrleitung Kplt	Conjunto De Tubería	
16	356269X1	1	Connector, Straight - Hydraulic	Passe-Cloison	Doppelnippel	Pasatabiques	
17	6109769M1	1	Bracket	Patte Fixation	Haltearm	Pata De Fijación	
18	339804X1	2	Bolt, Hex, - M6 X 25	Goupille	Maschschrb Metr - M6	Tornillo	
19	390971X1	2	Washer M6-12-1 Zwl	Rondelle - M6	Scheibe - M6	Arandela	
20	1441500X1	2	Nut M6 Z5 Nyloc	Ecrou	Flachmutter M6	Tuerca De Retención	
21	6109770M1	1	Decal-Double Acting Hyds	Adhésif	Aufkleber	Adhesivo	
22	355575X1	2	Nut 1 1/16-12 Bkhd Loc	Ecrou Blocage	Flachmutter	Tuerca De Retención	
23	6109768M91	1	Hose Assy	Flexible Ass.	Schlauch Kpl	Flexible, Conj.	
24	1862425M1	6	Tie 385mm T50I	Attache Cable	Kabelbinder	Enlace De Cable	
25	355782X1	1	Cap	Capuchon	Kappe	Obturador	
26	6110023M91	1	Tube Assy - Aux Hyds Return Cm	Tuyauterie	Rohr Kpl	Conjunto De Tubería	



C-80012-03.1-B



Item	Part No.	Qty.	English	French	German	Spanish	Remarks
1	6106874M91	1	Pedal-Ext.Hoe	Ensemble De Pédale	Pedal	Pedal, Conj.	
2	6106734M1	1	Block-Nylon Pivot	Bloc Pivot	Drehzapfen	Pivote	
3	3001758X1	2	Screw M6-50 Sz8 Hex	Goupille	Bolzen M6 X 50	Tornillo	
4	3519538M1	1	Plate Base	Plaque De Base	Grundplatte	Placa De Base	
5	339679X1	1	Bolt M10x60	Vis	Schraube	Perno	
6	6106866M1	2	Bush-Ext. Hoe	Douille	Büchse	Anillo	
7	1440329X1	1	Nut, Hex. - Nyloc, M10	Ecrou Blocage	Flachmutter M10	Tuerca De Retención	
8	394367X1	1	Nut, Hex. - Nyloc, M8	Ecrou Blocage M8	Flachmutter - M8	Tuerca De Retención	
9	6106724M92	1	Rod-Exthoe	Tringlerie	Gestänge	Tirantes, Conj.	
10	3517518M1	1	Ball Joint M8	Rotule	Kugelgelenk	Rotula	
11	339169X1	1	Nut, Hex. - M8, Coarse	Ecrou Métrique	Mutter Metrisch	Tuerca	
12	#ROD	1	Rod	Rod	Rod	Rod	Ref.9
13	3519650M1	1	Nut, Hex - M8, L/H Thread	Ecrou	Mutter	Tuerca	
14	3520666M1	1	Pin W/ Spring Clip	Axe De Chape	Gabelstift	Eje De Brida	
15	3519590M1	1	Clevis LH Thread	Chape	Gabelverbindung	Brida	
16	6101865M2	1	Decal - Extendahoe	Adhésif	Aufkleber	Adhesivo	

**Not Illustrated**

**Non Illustrée**

**Nicht Abgebildet**

**Non Illustrato**

**No Ilustrado**

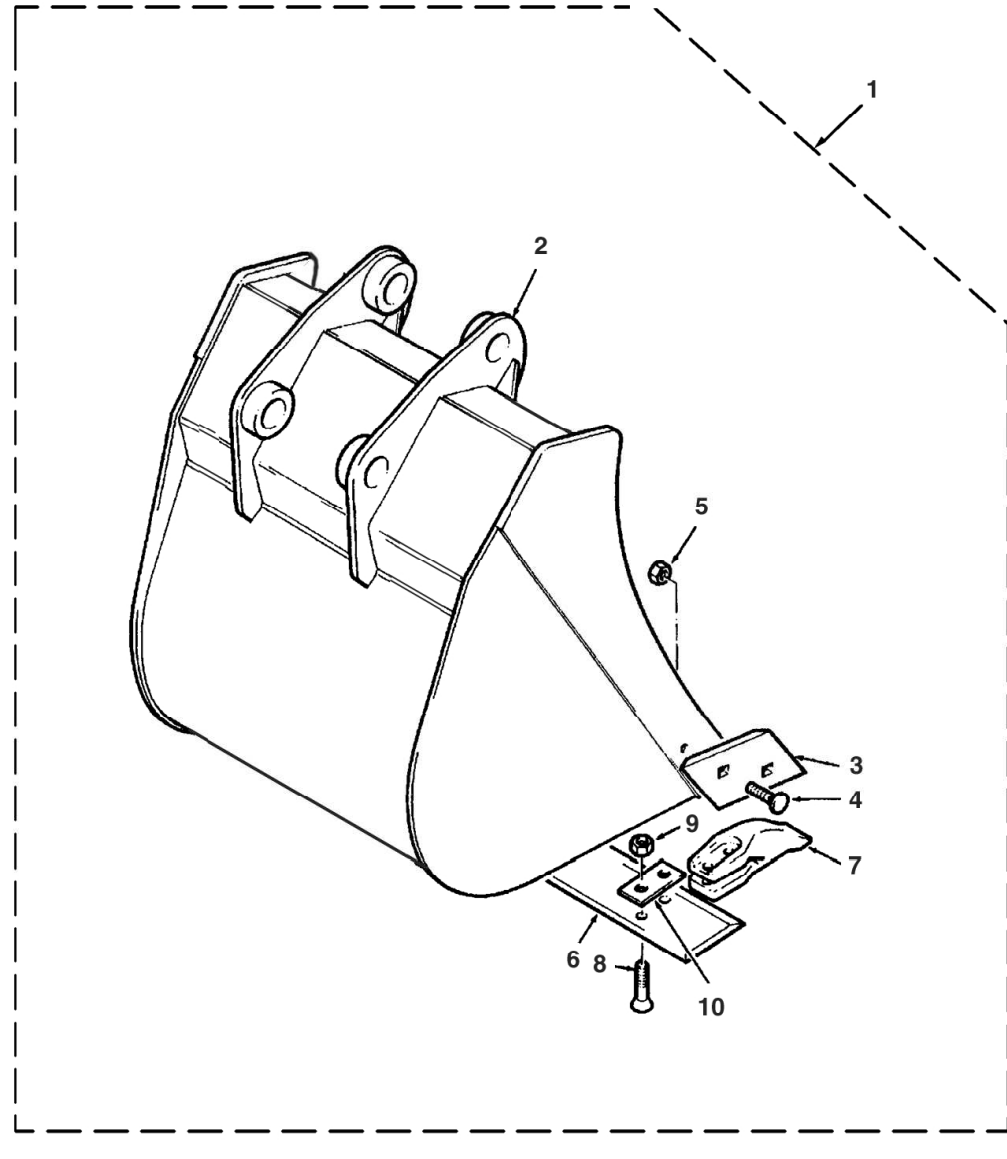
---

<b>Item</b>	<b>Part No.</b>	<b>Qty.</b>	<b>English</b>	<b>French</b>	<b>German</b>	<b>Spanish</b>	<b>Remarks</b>
-------------	-----------------	-------------	----------------	---------------	---------------	----------------	----------------

---



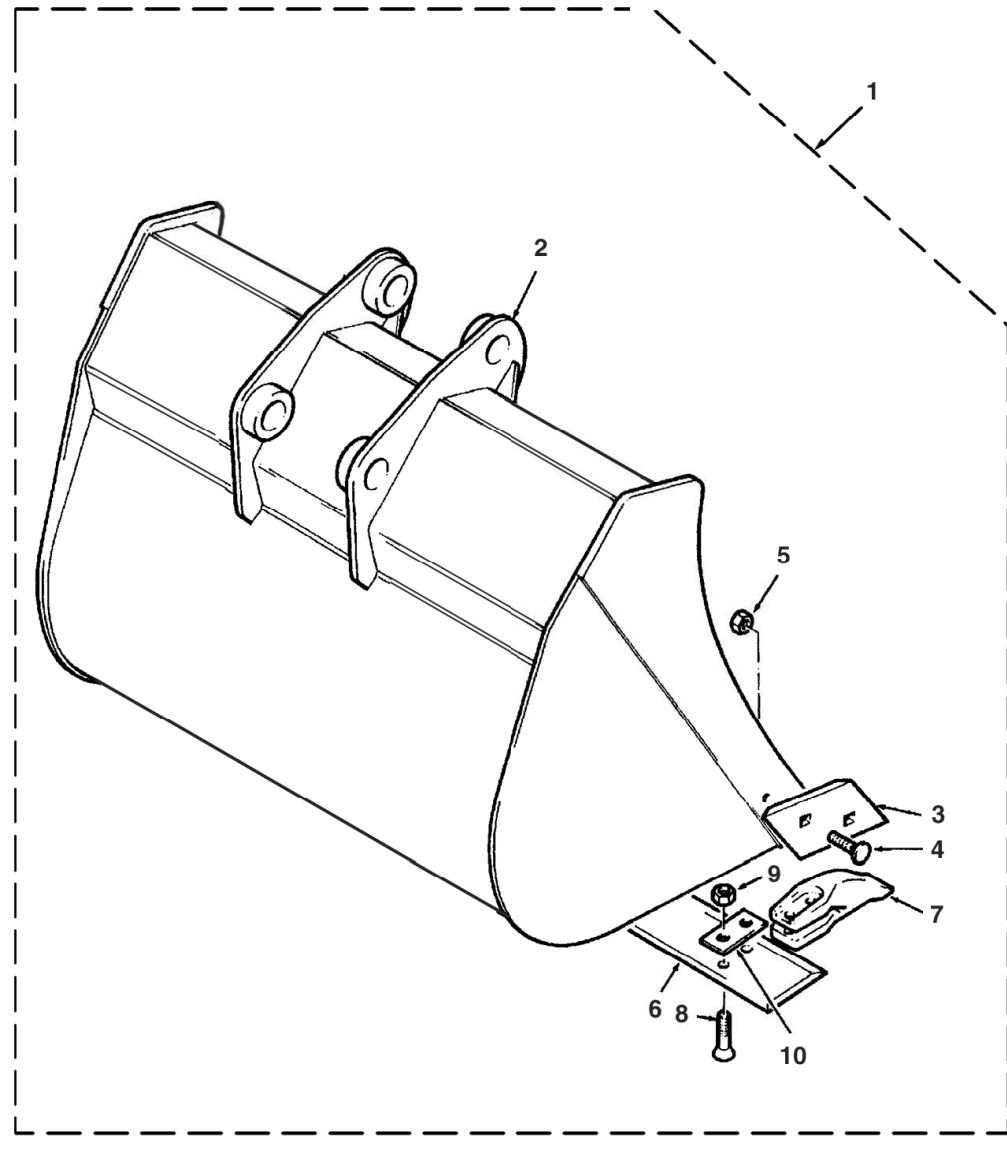
C-75001-01.1-A



Item	Part No.	Qty.	English	French	German	Spanish	Remarks
1	3516453M93	1	Bucket, Digger - 600mm, Standard	Godet	Ladeschaufel	Cuchara, Conj.	
2	#BUCKET	1	Bucket	Bucket	Bucket	Bucket	Ref.1
3	3500531M1	1	Cutter-Lh Side	Lame	Klinge	Cuchilla De Ataque	
3	3500532M1	1	Cutter-Rh Side	Lame	Klinge	Cuchilla De Ataque	
4	353422X1	4	Bolt	Goupille	Bolzen	Perno	
5	353427X1	4	Nut, Hex. - 5/8" Unf	Ecrou 5/8" Unf	Mutter 5/8" Unf	Tuerca	
6	3516479M2	1	Blade Dgr Bucket 600mm	Lame	Klinge	Cuchilla	
7	1462201M3	0	Tooth, Bucket	Dent	Zahn	Diente	
8	353915X1	0	Bolt, Plough - Special, 5/8" Unf X 2.62"	Boulon	Spezialschraube	Perno	
9	353427X1	0	Nut, Hex. - 5/8" Unf	Ecrou 5/8" Unf	Mutter 5/8" Unf	Tuerca	
10	862738M1	0	Shim, Bucket Teeth	Cale	Ausgleichsscheibe	Calce	
10	862739M1	0	Shim, Bucket Teeth	Cale	Ausgleichsscheibe	Calce	



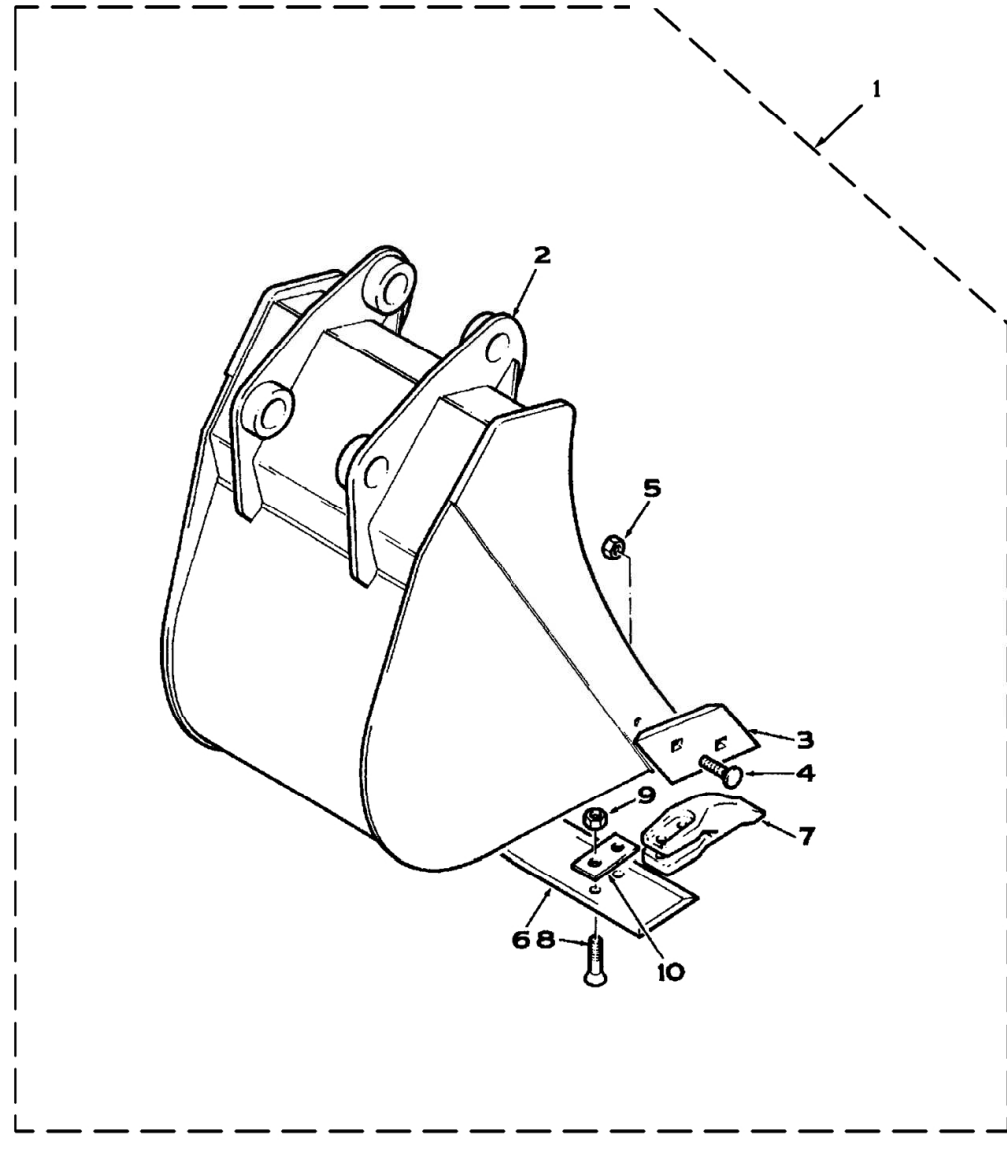
C-75002-01.1-A





Item	Part No.	Qty.	English	French	German	Spanish	Remarks
1	3516457M93	1	Bucket Dgr 900mm (6 Teeth Wide)	Godet	Ladeschaufel	Cuchara, Conj.	
2	#BUCKET	1	Bucket	Bucket	Bucket	Bucket	Ref.1
3	3500531M1	1	Cutter-Lh Side	Lame	Klinge	Cuchilla De Ataque	
3	3500532M1	1	Cutter-Rh Side	Lame	Klinge	Cuchilla De Ataque	
4	353422X1	4	Bolt	Goupille	Bolzen	Perno	
5	353427X1	4	Nut, Hex. - 5/8" Unf	Ecrou 5/8" Unf	Mutter 5/8" Unf	Tuerca	
6	3516477M2	1	Blade Dgr Bucket 900mm	Lame	Klinge	Cuchilla	
7	1462201M3	0	Tooth, Bucket	Dent	Zahn	Diente	
8	353915X1	0	Bolt, Plough - Special, 5/8" Unf X 2.62"	Boulon	Spezialschraube	Perno	
9	353427X1	0	Nut, Hex. - 5/8" Unf	Ecrou 5/8" Unf	Mutter 5/8" Unf	Tuerca	
10	862738M1	0	Shim, Bucket Teeth	Cale	Ausgleichsscheibe	Calce	
10	862739M1	0	Shim, Bucket Teeth	Cale	Ausgleichsscheibe	Calce	

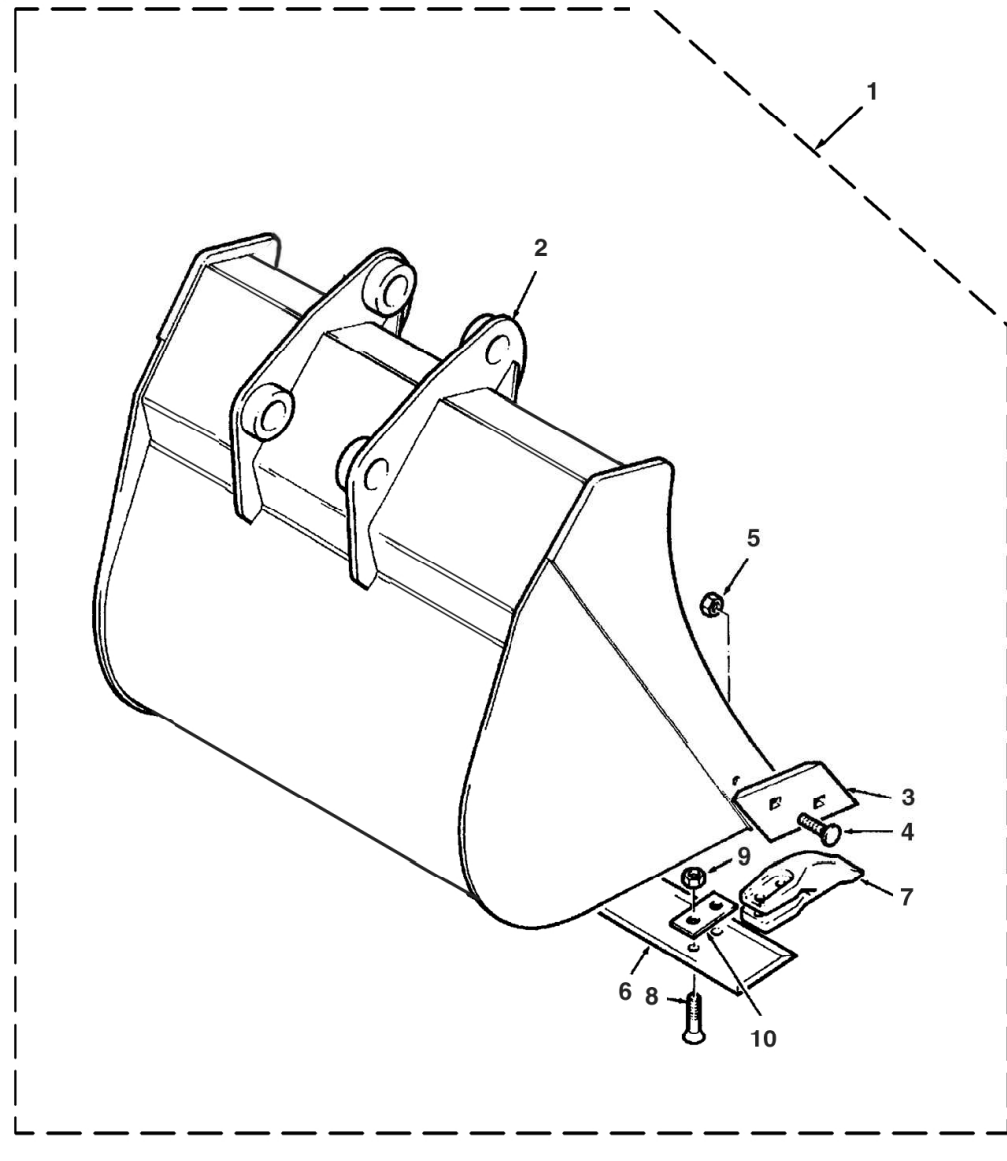
C-75003-01.1-A



Item	Part No.	Qty.	English	French	German	Spanish	Remarks
1	3516451M93	1	Bucket, Digger - 450mm, Standard	Godet	Ladeschaufel	Cuchara, Conj.	
2	#BUCKET	1	Bucket	Bucket	Bucket	Bucket	Ref.1
3	3500531M1	1	Cutter-Lh Side	Lame	Klinge	Cuchilla De Ataque	
3	3500532M1	1	Cutter-Rh Side	Lame	Klinge	Cuchilla De Ataque	
4	353422X1	4	Bolt	Goupille	Bolzen	Perno	
5	353427X1	4	Nut, Hex. - 5/8" Unf	Ecrou 5/8" Unf	Mutter 5/8" Unf	Tuerca	
6	3516480M2	1	Blade Dgr Bucket 450mm	Lame	Klinge	Cuchilla	
7	1462201M3	0	Tooth, Bucket	Dent	Zahn	Diente	
8	353915X1	0	Bolt, Plough - Special, 5/8" Unf X 2.62"	Boulon	Spezialschraube	Perno	
9	353427X1	0	Nut, Hex. - 5/8" Unf	Ecrou 5/8" Unf	Mutter 5/8" Unf	Tuerca	
10	862738M1	0	Shim, Bucket Teeth	Cale	Ausgleichsscheibe	Calce	
10	862739M1	0	Shim, Bucket Teeth	Cale	Ausgleichsscheibe	Calce	



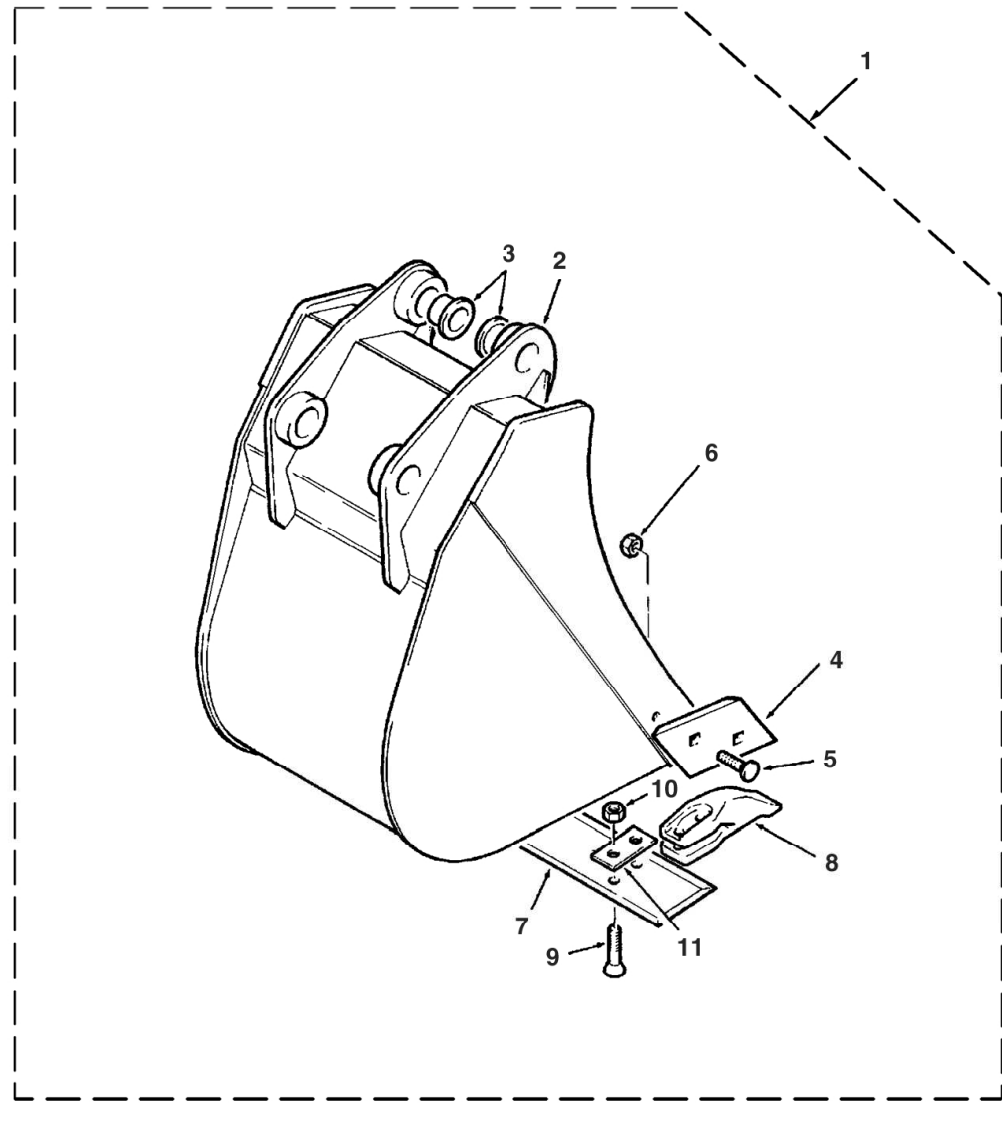
C-75004-01.1-A



Item	Part No.	Qty.	English	French	German	Spanish	Remarks
1	3516455M93	1	Bucket, Digger - 750mm, Standard	Godet	Ladeschaufel	Cuchara, Conj.	
2	#BUCKET	1	Bucket	Bucket	Bucket	Bucket	Ref.1
3	3500531M1	1	Cutter-Lh Side	Lame	Klinge	Cuchilla De Ataque	
3	3500532M1	1	Cutter-Rh Side	Lame	Klinge	Cuchilla De Ataque	
4	353422X1	4	Bolt	Goupille	Bolzen	Perno	
5	353427X1	4	Nut, Hex. - 5/8" Unf	Ecrou 5/8" Unf	Mutter 5/8" Unf	Tuerca	
6	3516478M2	1	Blade Dgr Bucket 750mm	Lame	Klinge	Cuchilla	
7	1462201M3	0	Tooth, Bucket	Dent	Zahn	Diente	
8	353915X1	0	Bolt, Plough - Special, 5/8" Unf X 2.62"	Boulon	Spezialschraube	Perno	
9	353427X1	0	Nut, Hex. - 5/8" Unf	Ecrou 5/8" Unf	Mutter 5/8" Unf	Tuerca	
10	862738M1	0	Shim, Bucket Teeth	Cale	Ausgleichsscheibe	Calce	
10	862739M1	0	Shim, Bucket Teeth	Cale	Ausgleichsscheibe	Calce	



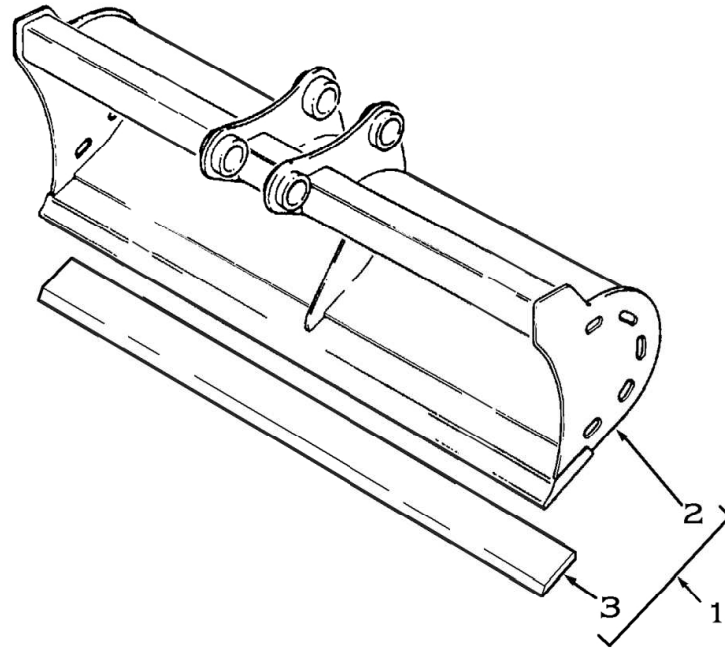
C-75005-01.1-A



Item	Part No.	Qty.	English	French	German	Spanish	Remarks
1	3516492M92	1	Bucket Dgr 305mm (3 Teeth Close)	Godet	Ladeschaufel	Cuchara, Conj.	
2	#BUCKET	1	Bucket	Bucket	Bucket	Bucket	Ref.1
3	3501770M2	2	Bushing Large	Bague	Büchse	Anillo	
4	3500531M1	1	Cutter-Lh Side	Lame	Klinge	Cuchilla De Ataque	
4	3500532M1	1	Cutter-Rh Side	Lame	Klinge	Cuchilla De Ataque	
5	353422X1	4	Bolt	Goupille	Bolzen	Perno	
6	353427X1	4	Nut, Hex. - 5/8" Unf	Ecrou 5/8" Unf	Mutter 5/8" Unf	Tuerca	
7	3516498M1	1	Blade 305mm Bucket	Lame	Klinge	Cuchilla	
8	1462201M3	3	Tooth, Bucket	Dent	Zahn	Diente	
9	353915X1	6	Bolt, Plough - Special, 5/8" Unf X 2.62"	Boulon	Spezialschraube	Perno	
10	353427X1	6	Nut, Hex. - 5/8" Unf	Ecrou 5/8" Unf	Mutter 5/8" Unf	Tuerca	
11	862738M1	0	Shim, Bucket Teeth	Cale	Ausgleichsscheibe	Calce	
11	862739M1	0	Shim, Bucket Teeth	Cale	Ausgleichsscheibe	Calce	



C-75006-01.1-A

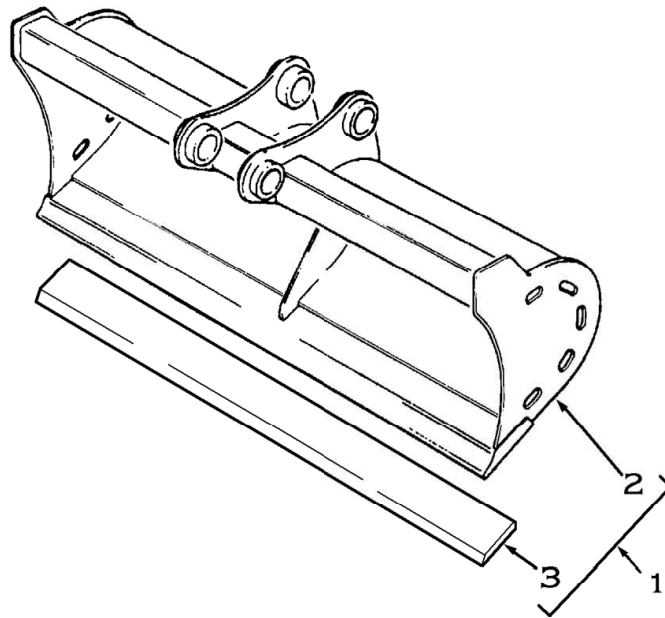




<b>Item</b>	<b>Part No.</b>	<b>Qty.</b>	<b>English</b>	<b>French</b>	<b>German</b>	<b>Spanish</b>	<b>Remarks</b>
1	3516000M91	1	Bucket, 1835mm - Ditch Cleaning	Godet	Grabenloffel	Cuchara, Conj.	
2	#BUCKET	1	Bucket	Bucket	Bucket	Bucket	Ref. 1
3	6190734M1	1	Blade, 1835mm - Ditch Cleaning Bucket	Lame	Klinge	Cuchilla	6'0"

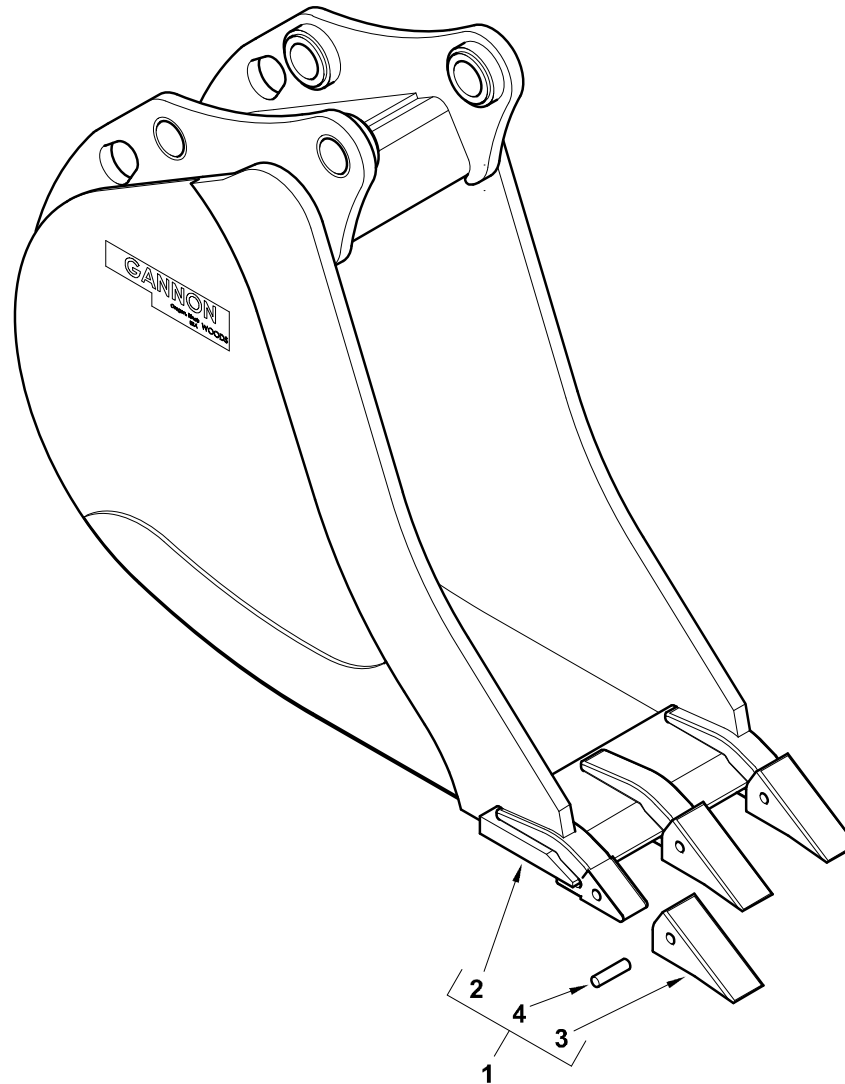


C-75007-01.1-A



<b>Item</b>	<b>Part No.</b>	<b>Qty.</b>	<b>English</b>	<b>French</b>	<b>German</b>	<b>Spanish</b>	<b>Remarks</b>
1	3516001M91	1	Bucket, Digger - 1530mm, Ditch Cleaning	Ensemble De Godet	Grabenloffel	Cuchara, Conj.	
2	#BUCKET	1	Bucket	Bucket	Bucket	Bucket	Ref. 1
3	6190735M1	1	Blade, 1530mm - Ditch Cleaning Bucket	Lame	Klinge	Cuchilla	5'0"

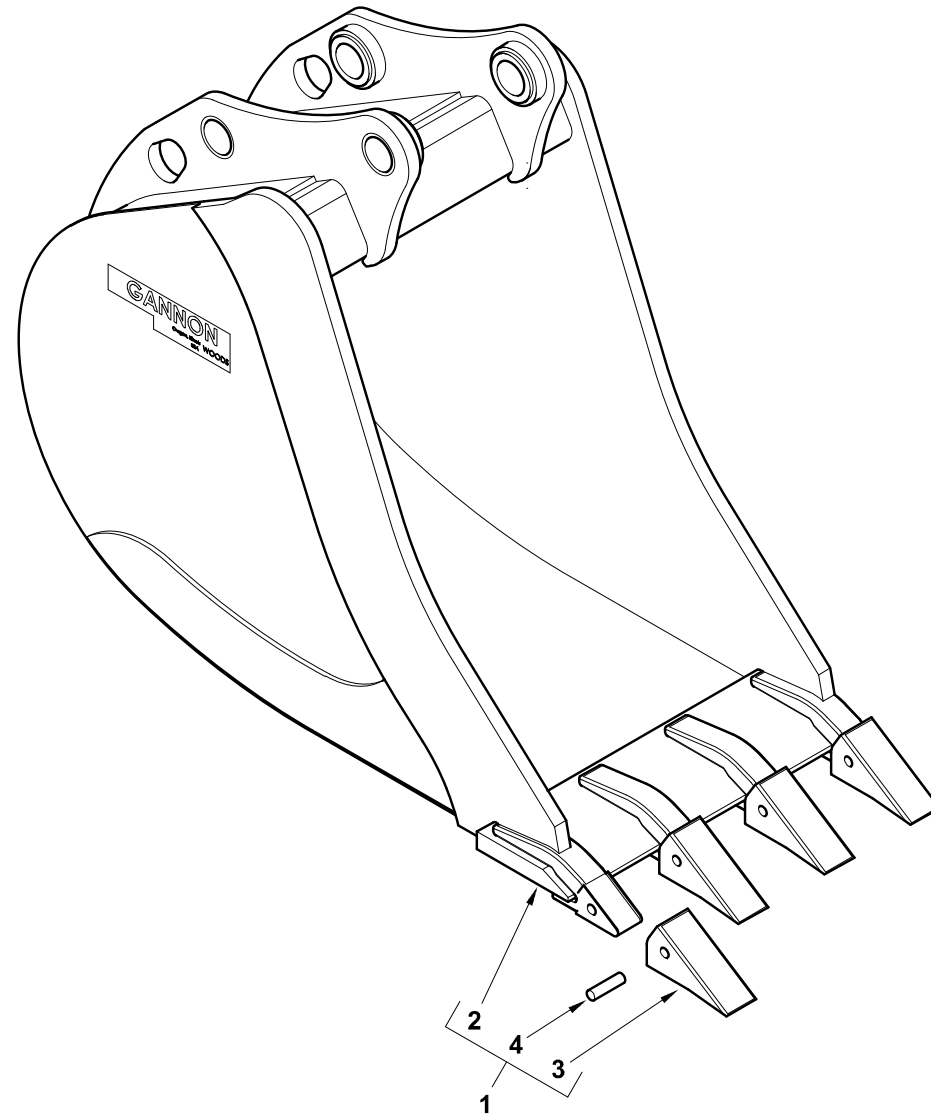
C-75014-01.1-A



<b>Item</b>	<b>Part No.</b>	<b>Qty.</b>	<b>English</b>	<b>French</b>	<b>German</b>	<b>Spanish</b>	<b>Remarks</b>
1	6111925M91	1	Bucket - Digger 12" (Gannon)	Godet De Pelle	Baggerloffel	Cuchara, Conj.	
2	#BUCKET	1	Bucket	Bucket	Bucket	Bucket	Ref. 1
3	#TOOTH	3	Tooth	Tooth	Tooth	Tooth	Ref. 1
4	#PIN	3	Pin	Goupille	Bolzen	Pasador	Ref. 1



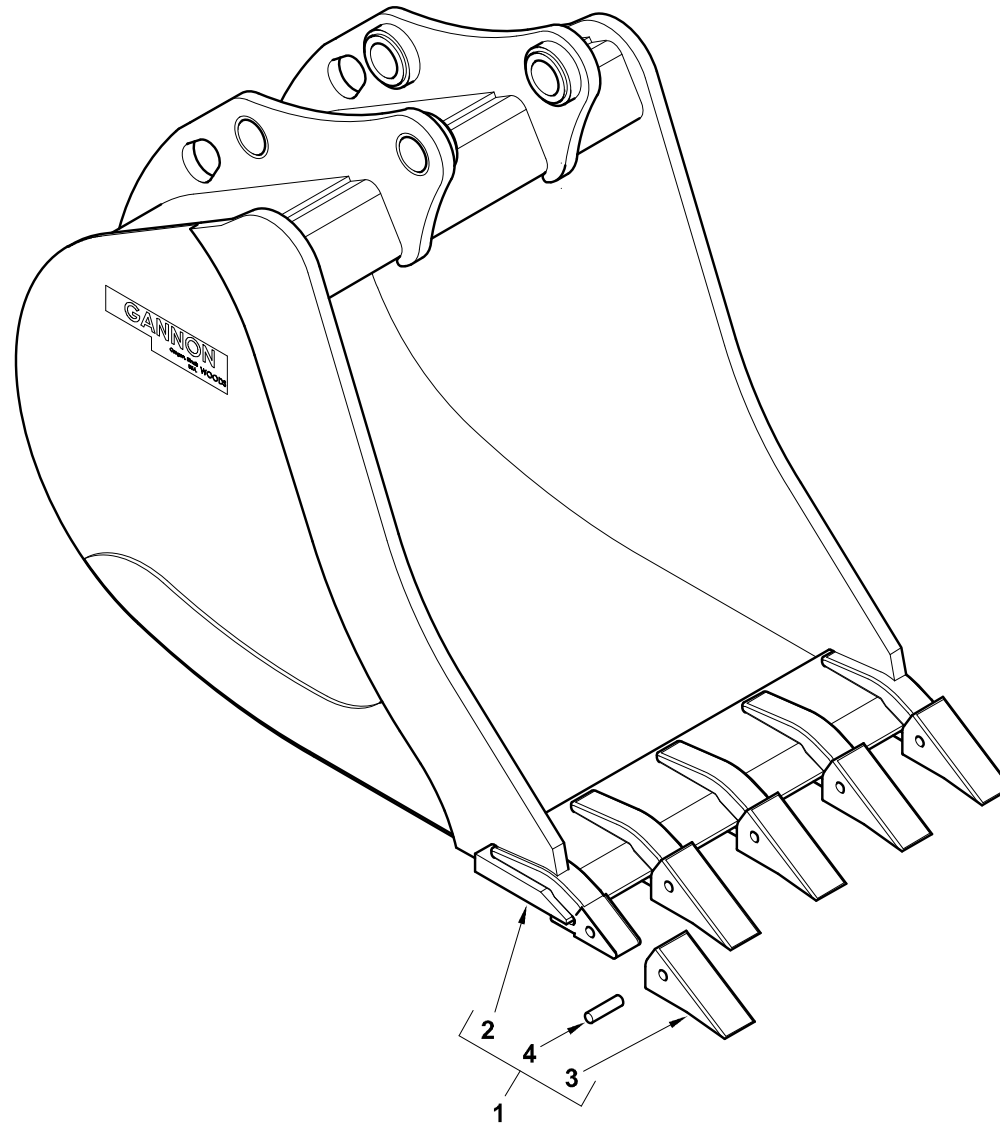
C-75016-01.1-A



<b>Item</b>	<b>Part No.</b>	<b>Qty.</b>	<b>English</b>	<b>French</b>	<b>German</b>	<b>Spanish</b>	<b>Remarks</b>
1	6112241M91	1	Bucket - Digger 18" (Gannon)	Godet De Pelle	Baggerloffel	Cuchara, Conj.	
2	#BUCKET	1	Bucket	Bucket	Bucket	Bucket	Ref. 1
3	#TOOTH	4	Tooth	Tooth	Tooth	Tooth	Ref. 1
4	#PIN	4	Pin	Goupille	Bolzen	Pasador	Ref. 1



C-75015-01.1-A





<b>Item</b>	<b>Part No.</b>	<b>Qty.</b>	<b>English</b>	<b>French</b>	<b>German</b>	<b>Spanish</b>	<b>Remarks</b>
1	6111926M91	1	Bucket - Digger 24" (Gannon)	Godet De Pelle	Baggerloffel	Cuchara, Conj.	
2	#BUCKET	1	Bucket	Bucket	Bucket	Bucket	Ref. 1
3	#TOOTH	5	Tooth	Tooth	Tooth	Tooth	Ref. 1
4	#PIN	5	Pin	Goupille	Bolzen	Pasador	Ref. 1



**Not Illustrated**

**Non Illustrée**

**Nicht Abgebildet**

**Non Illustrato**

**No Ilustrado**

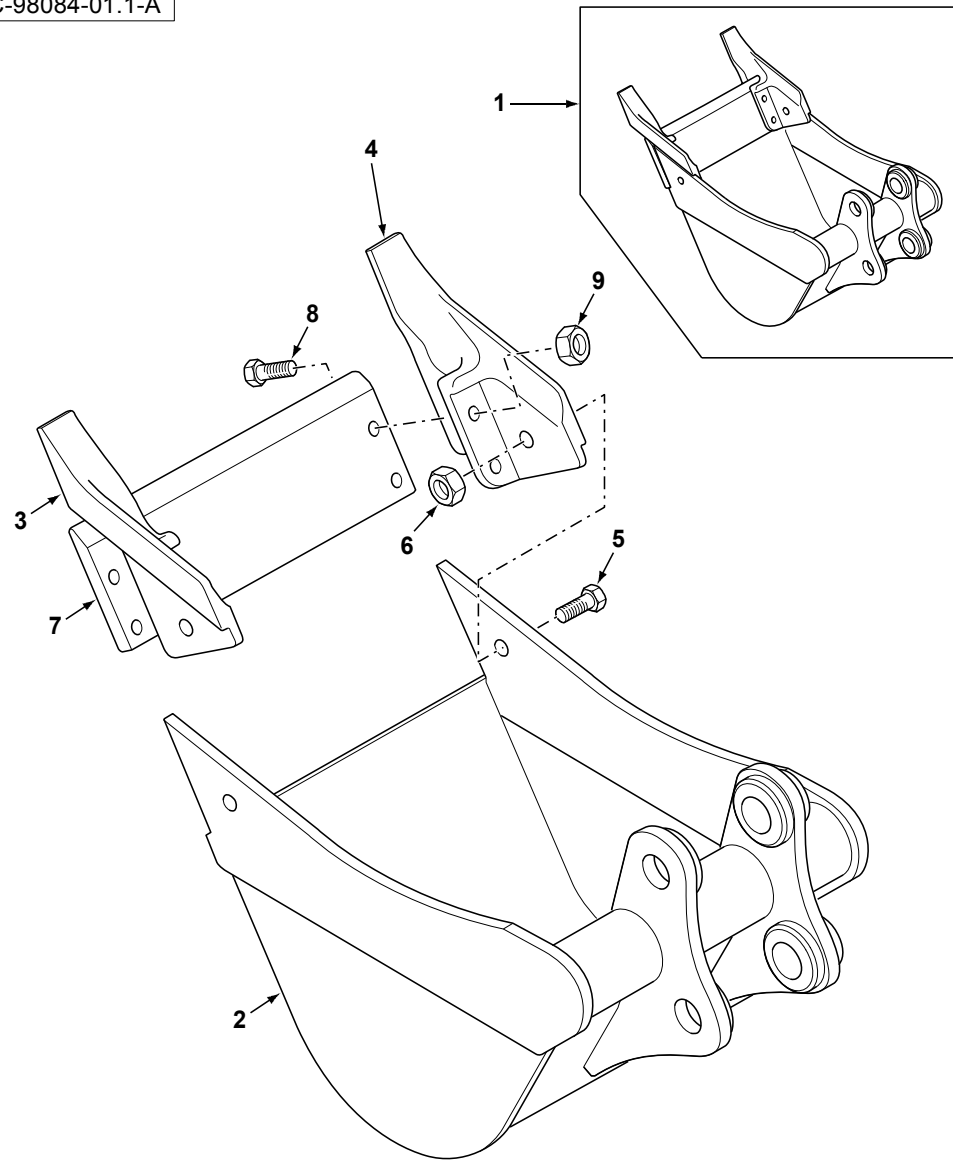
---

Item	Part No.	Qty.	English	French	German	Spanish	Remarks
------	----------	------	---------	--------	--------	---------	---------

---



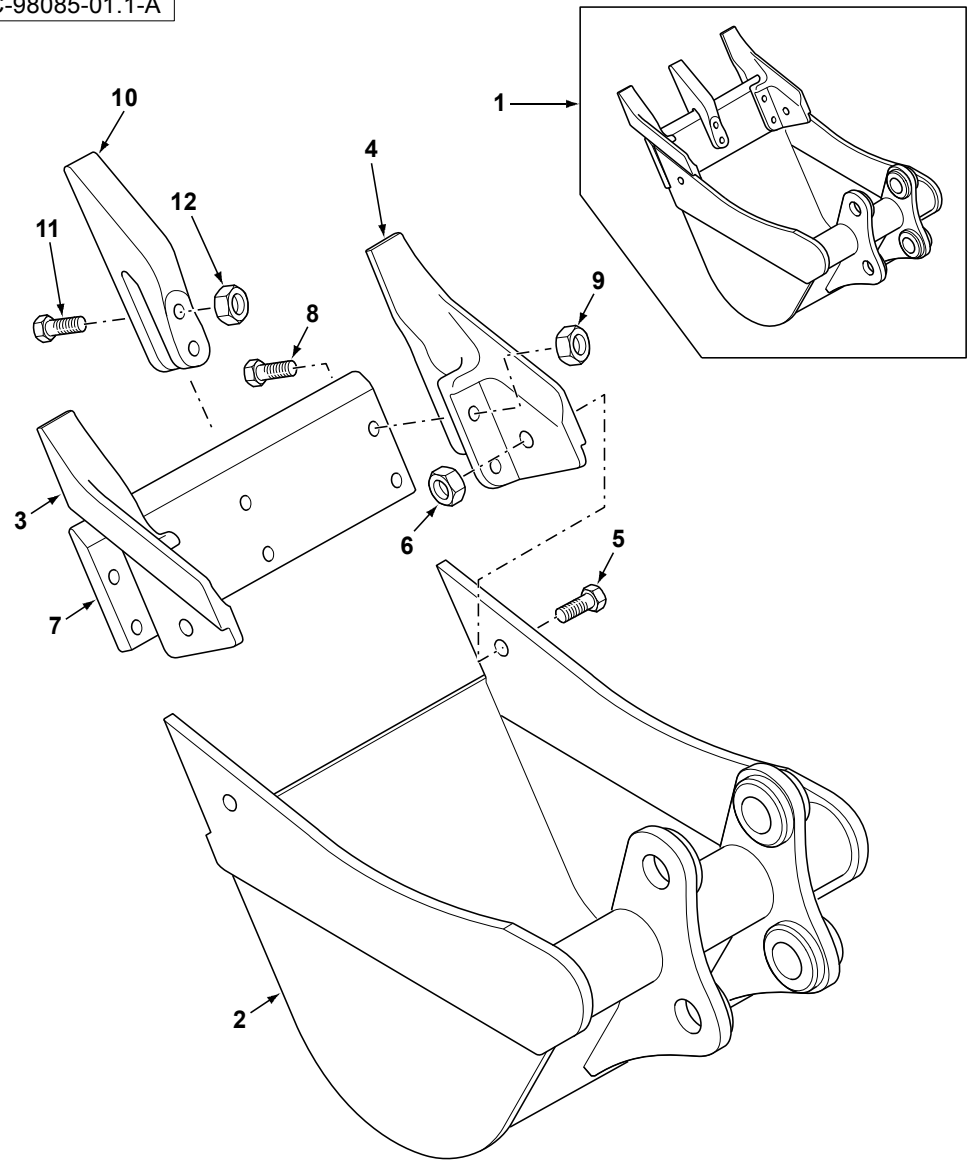
C-98084-01.1-A



Item	Part No.	Qty.	English	French	German	Spanish	Remarks
1	6102393M92	1	Bucket-Premium 300mm-Black	Godet	Ladeschaufel	Cuchara, Conj.	
2	#BUCKET	1	Bucket	Bucket	Bucket	Bucket	Ref. 1
3	6192264M1	1	Tooth & Side Cutter L/H	Lame D'Attaque	Schneidkante	Cuchilla De Ataque	
4	6192265M1	1	Tooth & Side Cutter R/H	Lame D'Attaque	Schneidkante	Cuchilla De Ataque	
5	354710X1	4	Bolt, Hex. - 3/4"Unc X 2"	Goupille	Bolzen	Perno	
6	375100X1	4	Nut - Hex. 3/4" UNC	Ecrou UNC	Mutter UNC	Tuerca	
7	#BLADE	1	Blade	Blade	Blade	Blade	Ref. 1
8	369700X1	4	Bolt, Plough Head - 3/4" UNC X 2.5" Sae5	Boulon	Masch. Schraube	Perno	
9	375100X1	4	Nut - Hex. 3/4" UNC	Ecrou UNC	Mutter UNC	Tuerca	

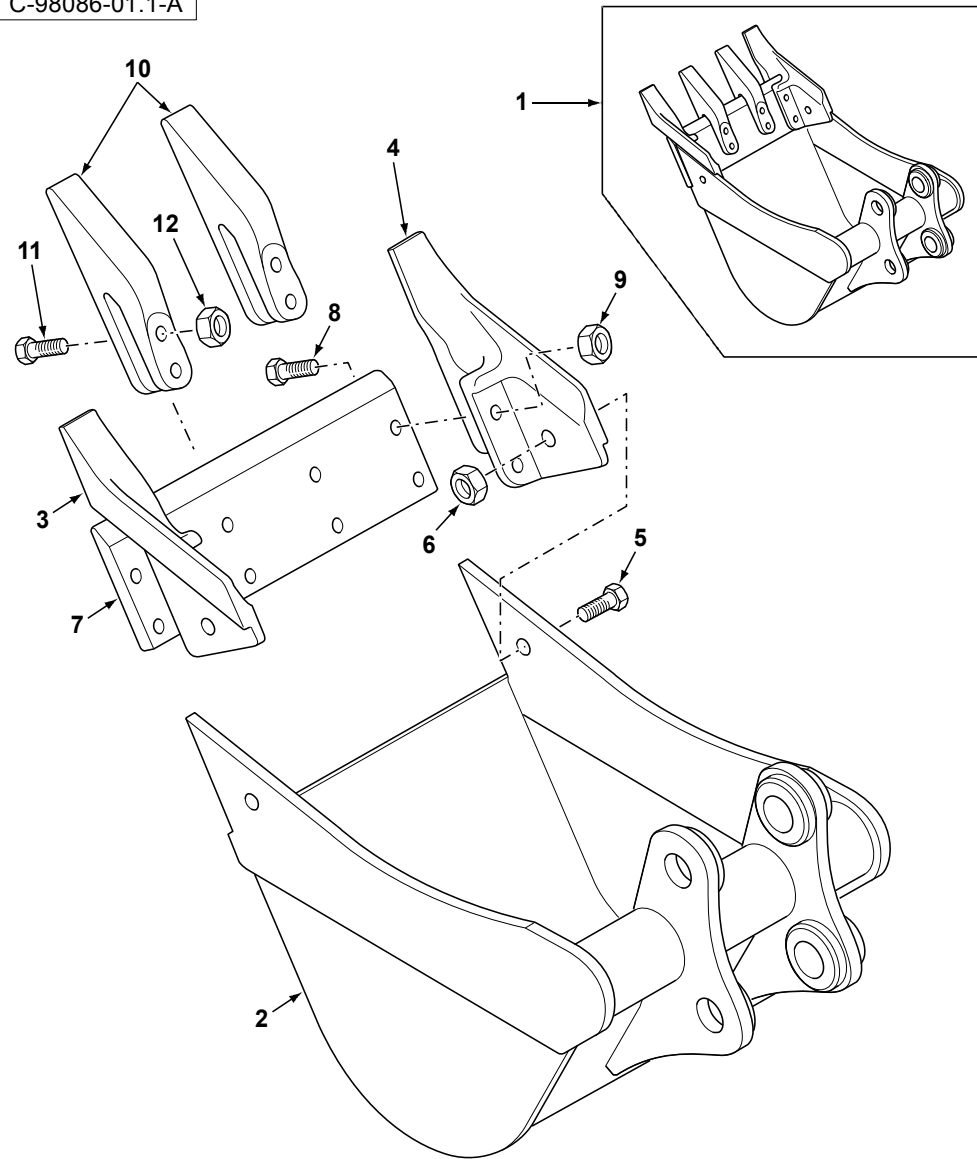


C-98085-01.1-A



Item	Part No.	Qty.	English	French	German	Spanish	Remarks
1	6102394M92	1	Bucket-Premium 450mm-Black	Godet	Ladeschaufel	Cuchara, Conj.	
2	#BUCKET	1	Bucket	Bucket	Bucket	Bucket	Ref. 1
3	6192264M1	1	Tooth & Side Cutter L/H	Lame D'Attaque	Schneidkante	Cuchilla De Ataque	
4	6192265M1	1	Tooth & Side Cutter R/H	Lame D'Attaque	Schneidkante	Cuchilla De Ataque	
5	354710X1	4	Bolt, Hex. - 3/4"Unc X 2"	Goupille	Bolzen	Perno	
6	375100X1	4	Nut - Hex. 3/4" UNC	Ecrou UNC	Mutter UNC	Tuerca	
7	#BLADE	1	Blade	Blade	Blade	Blade	Ref. 1
8	369700X1	4	Bolt, Plough Head - 3/4" UNC X 2.5" Sae5	Boulon	Masch. Schraube	Perno	
9	375100X1	4	Nut - Hex. 3/4" UNC	Ecrou UNC	Mutter UNC	Tuerca	
10	6192263M1	1	Tooth - Digger Bucket	Dent	Zahn	Diente	
11	369700X1	2	Bolt, Plough Head - 3/4" UNC X 2.5" Sae5	Boulon	Masch. Schraube	Perno	
12	375100X1	2	Nut - Hex. 3/4" UNC	Ecrou UNC	Mutter UNC	Tuerca	

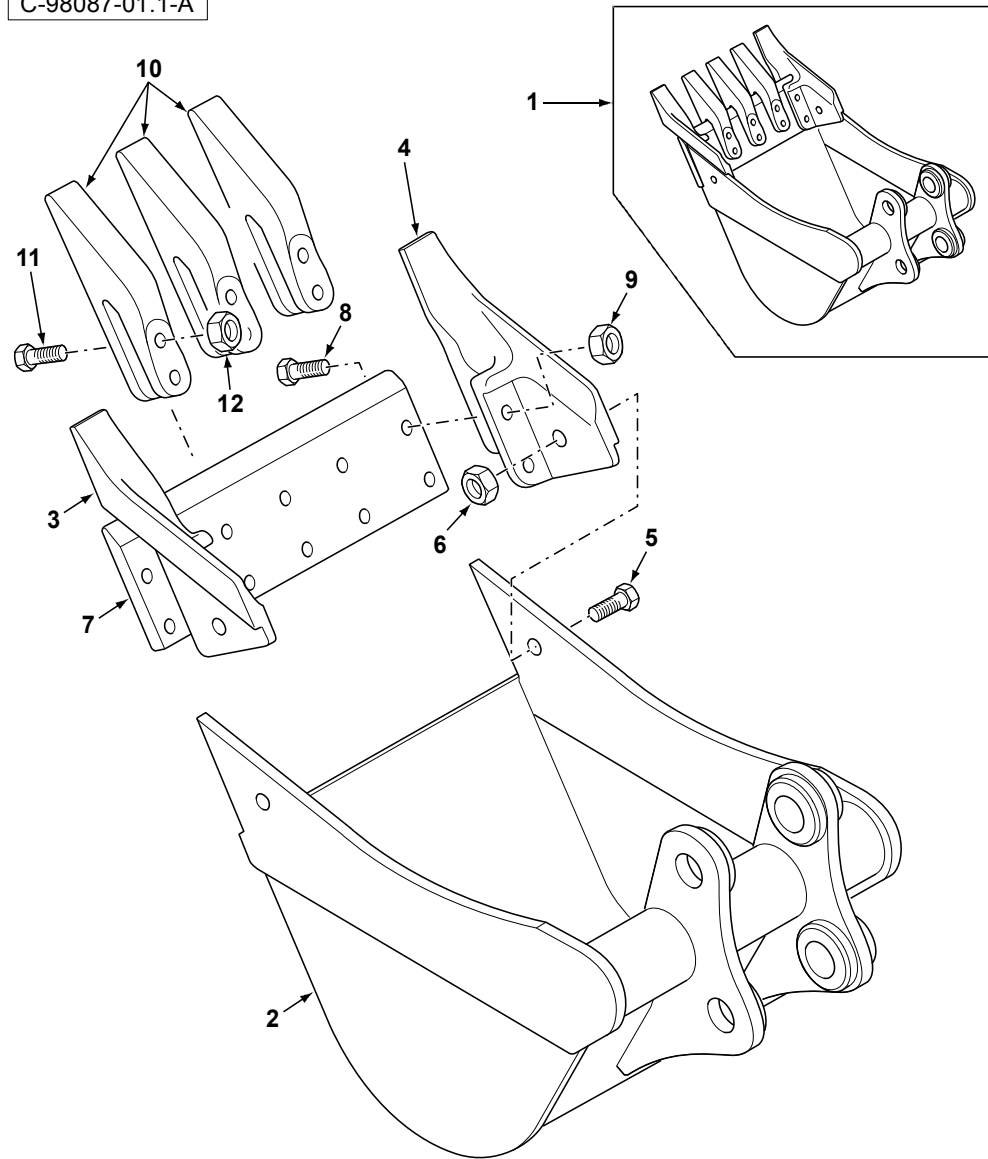
C-98086-01.1-A





Item	Part No.	Qty.	English	French	German	Spanish	Remarks
1	6102395M92	1	Bucket-Premium 600mm-Black	Godet	Ladeschaufel	Cuchara, Conj.	
2	#BUCKET	1	Bucket	Bucket	Bucket	Bucket	Ref. 1
3	6192264M1	1	Tooth & Side Cutter L/H	Lame D'Attaque	Schneidkante	Cuchilla De Ataque	
4	6192265M1	1	Tooth & Side Cutter R/H	Lame D'Attaque	Schneidkante	Cuchilla De Ataque	
5	354710X1	4	Bolt, Hex. - 3/4"UNC X 2"	Goupille	Bolzen	Perno	
6	375100X1	4	Nut - Hex. 3/4" UNC	Ecrou UNC	Mutter UNC	Tuerca	
7	#BLADE	1	Blade	Blade	Blade	Blade	Ref. 1
8	369700X1	4	Bolt, Plough Head - 3/4" UNC X 2.5" Sae5	Boulon	Masch. Schraube	Perno	
9	375100X1	4	Nut - Hex. 3/4" UNC	Ecrou UNC	Mutter UNC	Tuerca	
10	6192263M1	2	Tooth - Digger Bucket	Dent	Zahn	Diente	
11	369700X1	4	Bolt, Plough Head - 3/4" UNC X 2.5" Sae5	Boulon	Masch. Schraube	Perno	
12	375100X1	4	Nut - Hex. 3/4" UNC	Ecrou UNC	Mutter UNC	Tuerca	

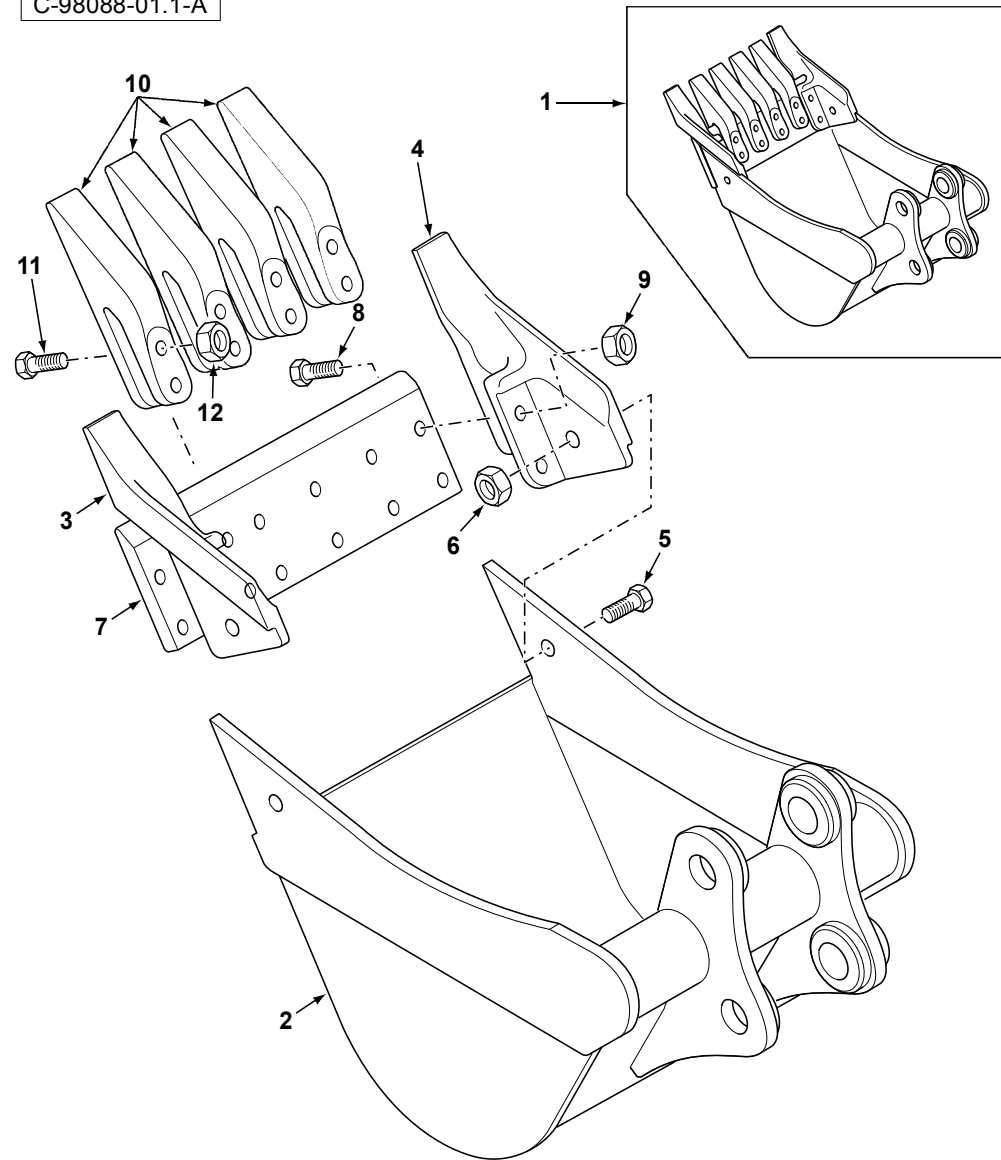
C-98087-01.1-A



Item	Part No.	Qty.	English	French	German	Spanish	Remarks
1	6102396M92	1	Bucket-Premium 750mm-Black	Godet	Ladeschaufel	Cuchara, Conj.	
2	#BUCKET	1	Bucket	Bucket	Bucket	Bucket	Ref. 1
3	6192264M1	1	Tooth & Side Cutter L/H	Lame D'Attaque	Schneidkante	Cuchilla De Ataque	
4	6192265M1	1	Tooth & Side Cutter R/H	Lame D'Attaque	Schneidkante	Cuchilla De Ataque	
5	354710X1	4	Bolt, Hex. - 3/4"Unc X 2"	Goupille	Bolzen	Perno	
6	375100X1	4	Nut - Hex. 3/4" UNC	Ecrou UNC	Mutter UNC	Tuerca	
7	#BLADE	1	Blade	Blade	Blade	Blade	Ref. 1
8	369700X1	4	Bolt, Plough Head - 3/4" UNC X 2.5" Sae5	Boulon	Masch. Schraube	Perno	
9	375100X1	4	Nut - Hex. 3/4" UNC	Ecrou UNC	Mutter UNC	Tuerca	
10	6192263M1	3	Tooth - Digger Bucket	Dent	Zahn	Diente	
11	369700X1	6	Bolt, Plough Head - 3/4" UNC X 2.5" Sae5	Boulon	Masch. Schraube	Perno	
12	375100X1	6	Nut - Hex. 3/4" UNC	Ecrou UNC	Mutter UNC	Tuerca	



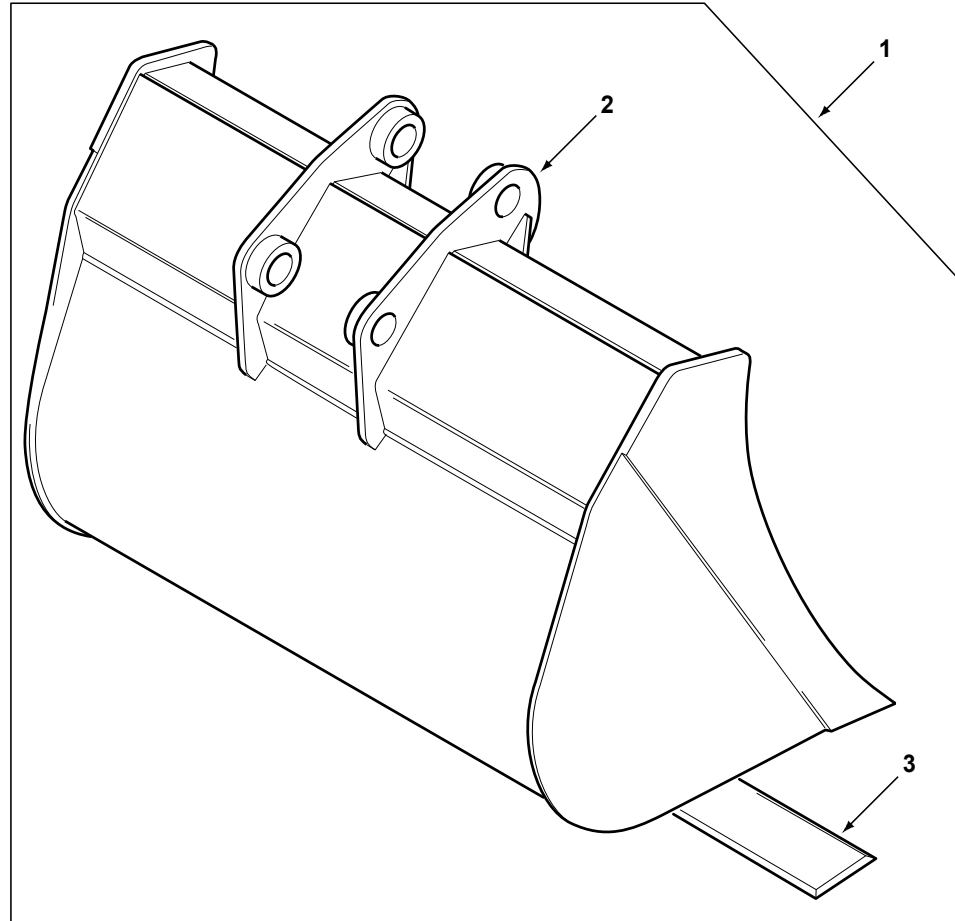
C-98088-01.1-A



Item	Part No.	Qty.	English	French	German	Spanish	Remarks
1	6102397M92	1	Bucket-Premium 900mm-Black	Godet	Ladeschaufel	Cuchara, Conj.	
2	#BUCKET	1	Bucket	Bucket	Bucket	Bucket	Ref. 1
3	6192264M1	1	Tooth & Side Cutter L/H	Lame D'Attaque	Schneidkante	Cuchilla De Ataque	
4	6192265M1	1	Tooth & Side Cutter R/H	Lame D'Attaque	Schneidkante	Cuchilla De Ataque	
5	354710X1	4	Bolt, Hex. - 3/4"UNC X 2"	Goupille	Bolzen	Perno	
6	375100X1	4	Nut - Hex. 3/4" UNC	Ecrou UNC	Mutter UNC	Tuerca	
7	#BLADE	1	Blade	Blade	Blade	Blade	Ref. 1
8	369700X1	4	Bolt, Plough Head - 3/4" UNC X 2.5" Sae5	Boulon	Masch. Schraube	Perno	
9	375100X1	4	Nut - Hex. 3/4" UNC	Ecrou UNC	Mutter UNC	Tuerca	
10	6192263M1	4	Tooth - Digger Bucket	Dent	Zahn	Diente	
11	369700X1	8	Bolt, Plough Head - 3/4" UNC X 2.5" Sae5	Boulon	Masch. Schraube	Perno	
12	375100X1	8	Nut - Hex. 3/4" UNC	Ecrou UNC	Mutter UNC	Tuerca	



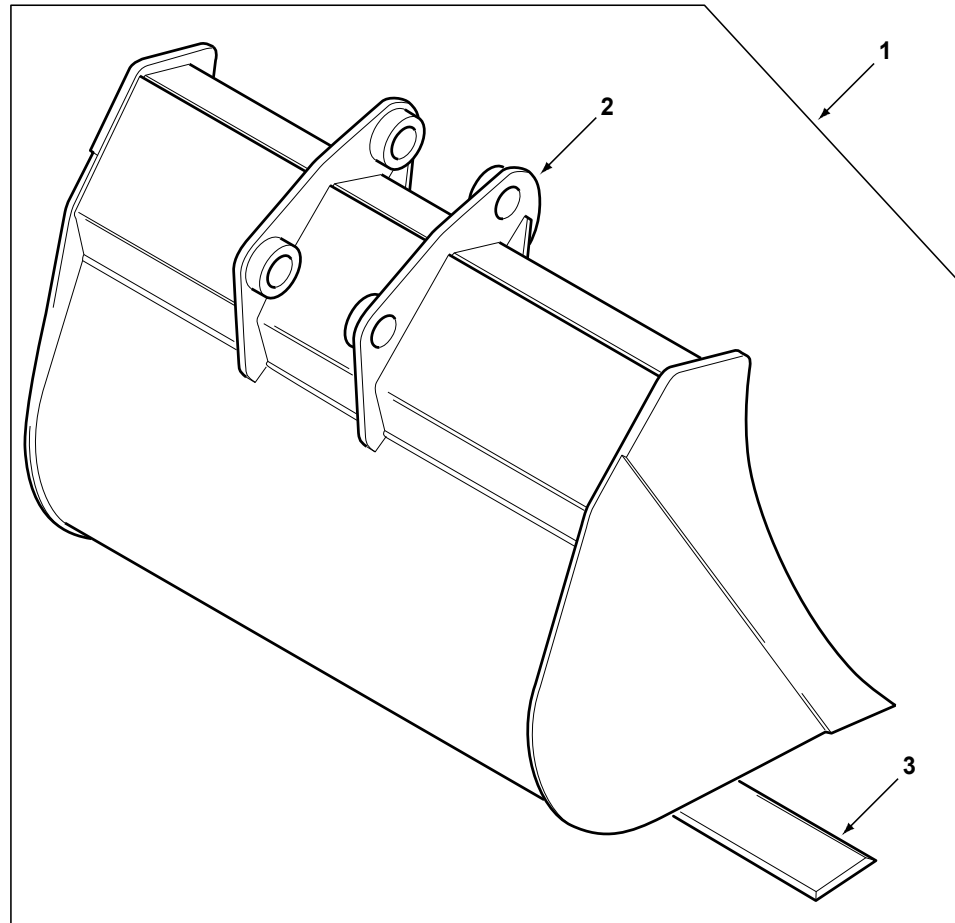
C-98089-01.1-A



<b>Item</b>	<b>Part No.</b>	<b>Qty.</b>	<b>English</b>	<b>French</b>	<b>German</b>	<b>Spanish</b>	<b>Remarks</b>
1	6102398M92	1	Bucket, Digger - 1500mm, Ditch Cleaning	Godet De Fosse	Grabenloffel	Cuchara, Conj.	
2	#BUCKET	1	Bucket	Bucket	Bucket	Bucket	Ref.1
3	#BLADE	1	Blade	Blade	Blade	Blade	Ref.1



C-98090-01.1-A

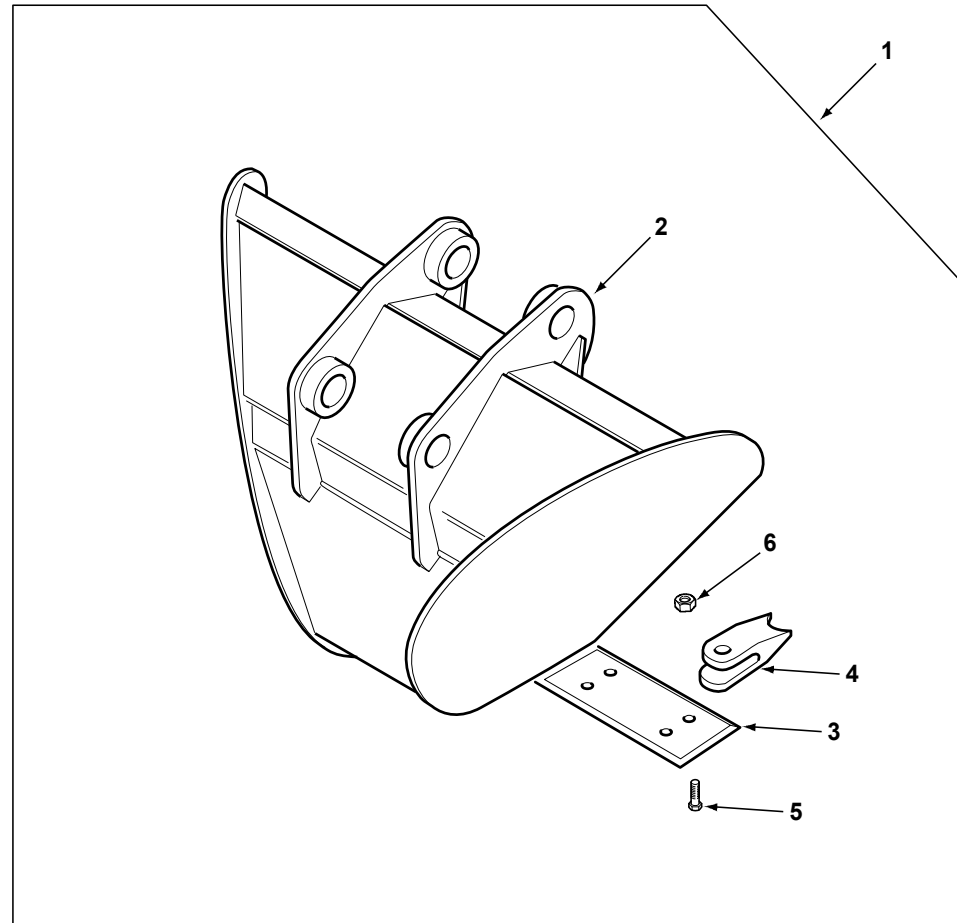




<b>Item</b>	<b>Part No.</b>	<b>Qty.</b>	<b>English</b>	<b>French</b>	<b>German</b>	<b>Spanish</b>	<b>Remarks</b>
1	6102399M92	1	Bucket, Digger - 1800mm, Ditch Cleaning	Godet De Fosse	Grabenloffel	Cuchara, Conj.	
2	#BUCKET	1	Bucket	Bucket	Bucket	Bucket	Ref.1
3	#BLADE	1	Blade	Blade	Blade	Blade	Ref.1



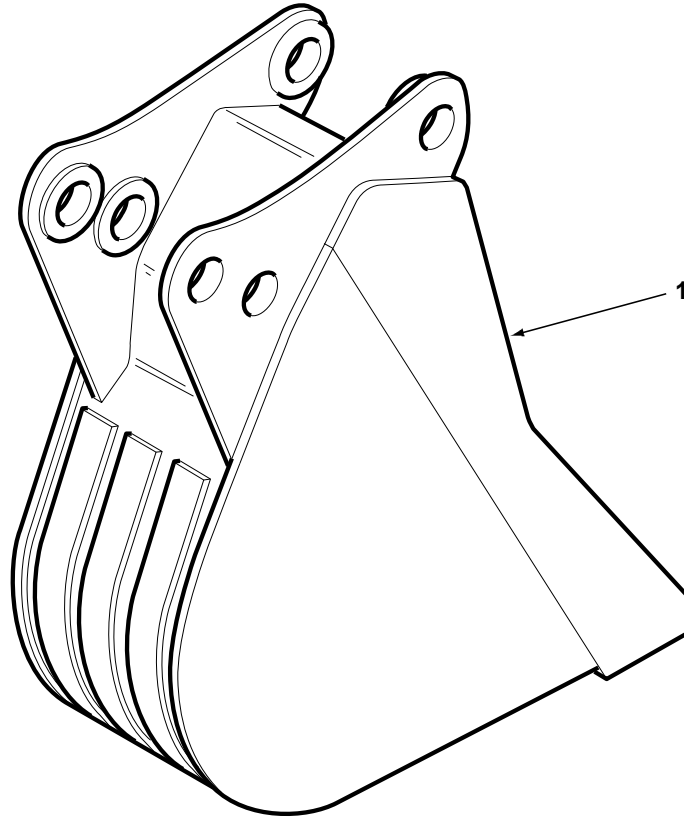
C-98096-01.1-A



Item	Part No.	Qty.	English	French	German	Spanish	Remarks
1	6102405M92	1	Bucket, Ditch Digging - Trapezoidal	Godet De Fosse	Grabenloffel	Cuchara, Conj.	
2	#BUCKET	1	Bucket	Bucket	Bucket	Bucket	
3	#BLADE	1	Blade	Blade	Blade	Blade	
4	6192263M1	2	Tooth - Digger Bucket	Dent	Zahn	Diente	
5	369700X1	4	Bolt, Plough Head - 3/4" UNC X 2.5" Sae5	Boulon	Masch. Schraube	Perno	
6	375100X1	4	Nut - Hex. 3/4" UNC	Ecrou UNC	Mutter UNC	Tuerca	



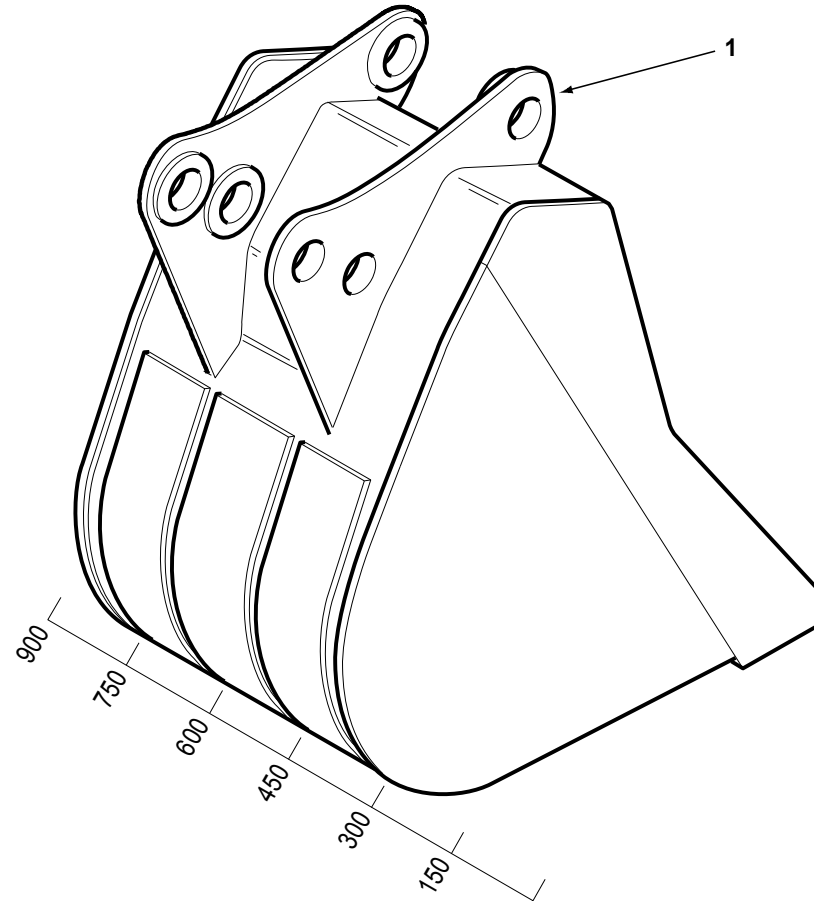
C-98097-01.1-A



<b>Item</b>	<b>Part No.</b>	<b>Qty.</b>	<b>English</b>	<b>French</b>	<b>German</b>	<b>Spanish</b>	<b>Remarks</b>
1	6108097M91	1	Bucket, Digger - 300mm,Jcb, S/Land Q/Att	Godet	Ladeschaufel	Cuchara, Conj.	



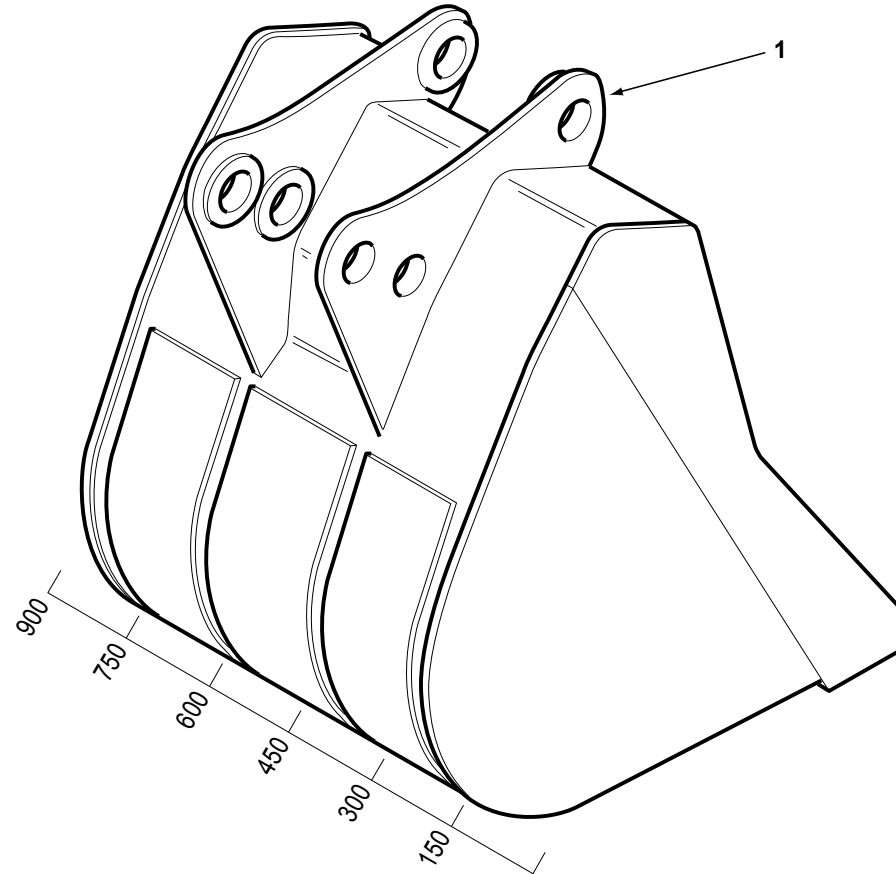
C-98098-01.1-A



<b>Item</b>	<b>Part No.</b>	<b>Qty.</b>	<b>English</b>	<b>French</b>	<b>German</b>	<b>Spanish</b>	<b>Remarks</b>
1	6108098M91	1	Bucket, Digger - Jcb,450mm,S/Land Q/Att	Godet	Ladeschaufel	Cuchara, Conj.	



C-98099-01.1-A

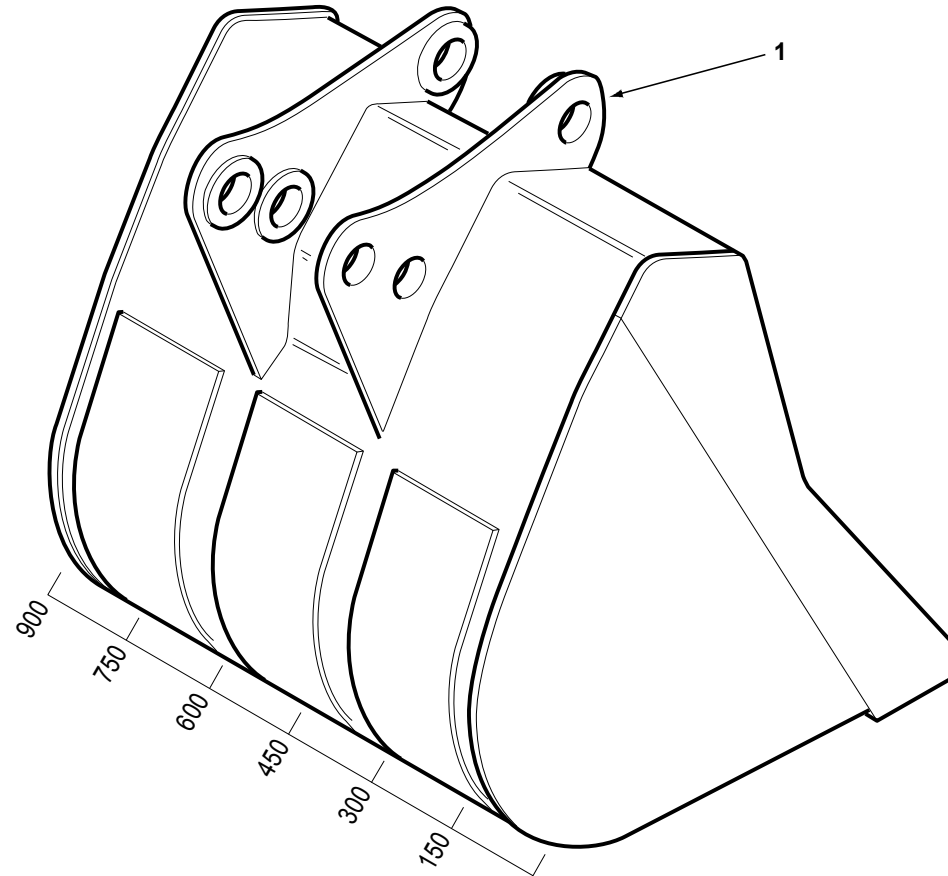




<b>Item</b>	<b>Part No.</b>	<b>Qty.</b>	<b>English</b>	<b>French</b>	<b>German</b>	<b>Spanish</b>	<b>Remarks</b>
1	6108099M91	1	Bucket, Digger - 600mm,Jcb,S/Land Q/Att	Godet	Ladeschaufel	Cuchara, Conj.	



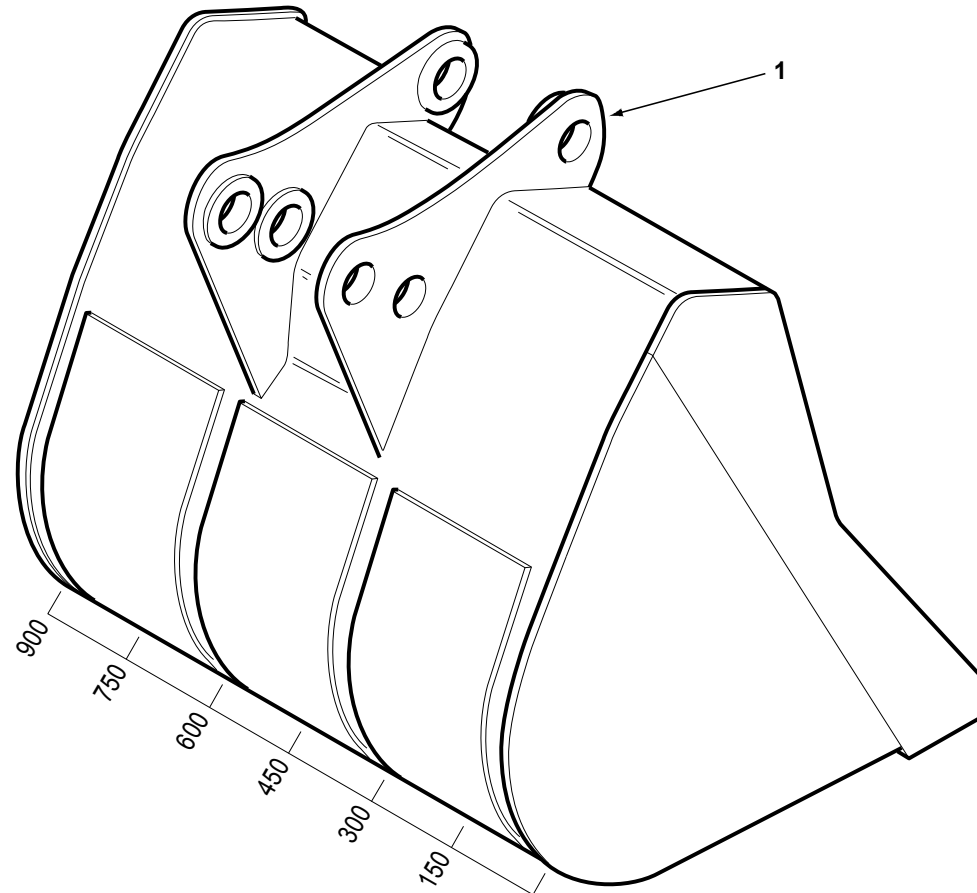
C-98100-01.1-A



<b>Item</b>	<b>Part No.</b>	<b>Qty.</b>	<b>English</b>	<b>French</b>	<b>German</b>	<b>Spanish</b>	<b>Remarks</b>
1	6108100M91	1	Bucket, Digger - 750mm,Jcb,S/Land Q/Att	Godet	Ladeschaufel	Cuchara, Conj.	



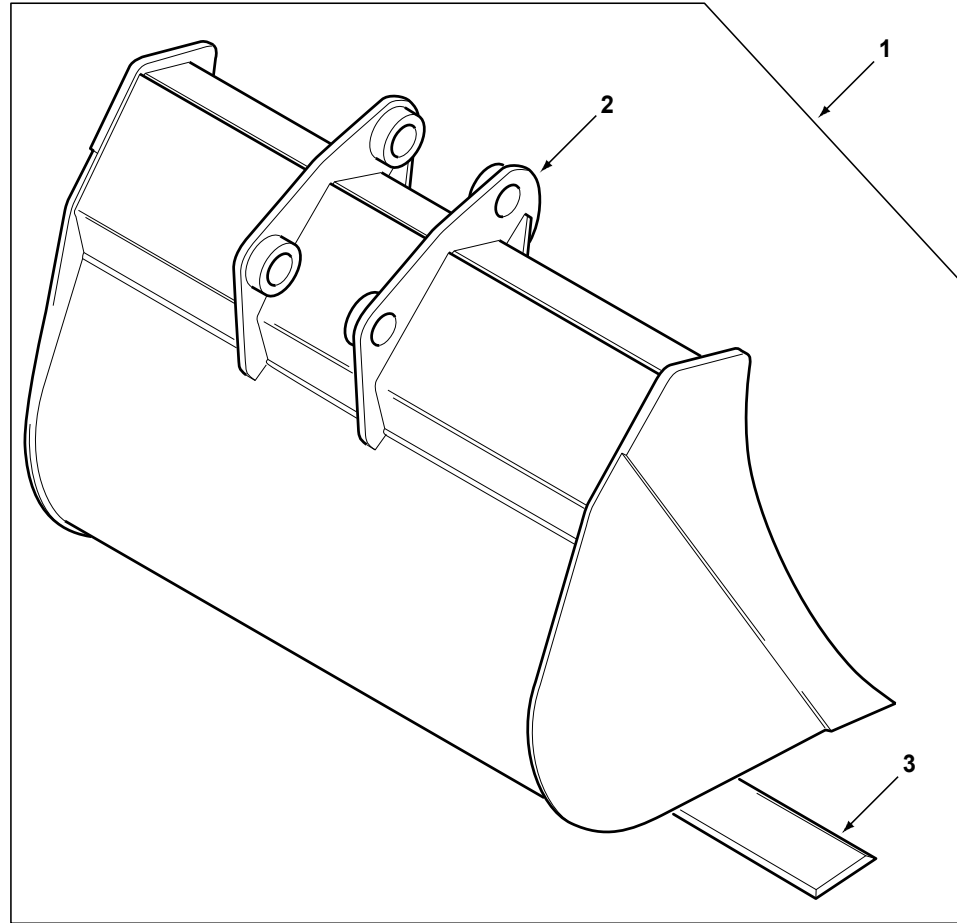
C-98101-01.1-A



<b>Item</b>	<b>Part No.</b>	<b>Qty.</b>	<b>English</b>	<b>French</b>	<b>German</b>	<b>Spanish</b>	<b>Remarks</b>
1	6108101M91	1	Bucket, Digger - 900mm,Jcb, S/Land Q/Att	Godet	Ladeschaufel	Cuchara, Conj.	



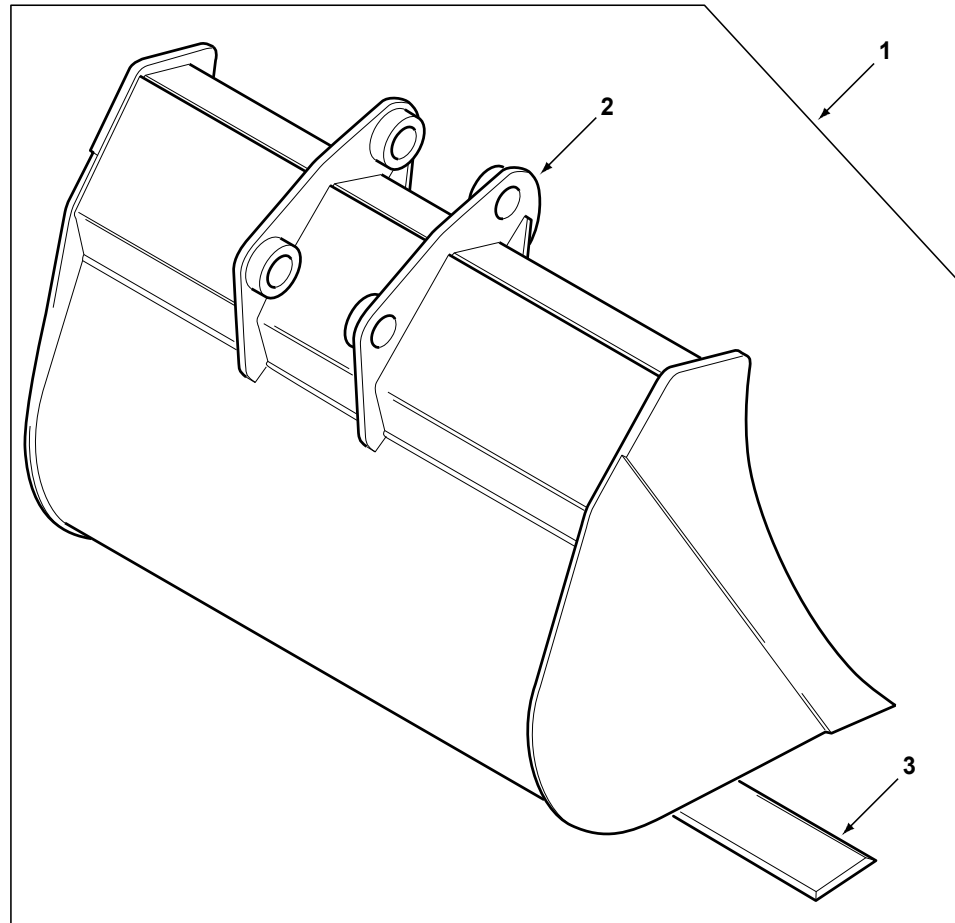
C-98102-01.1-A



<b>Item</b>	<b>Part No.</b>	<b>Qty.</b>	<b>English</b>	<b>French</b>	<b>German</b>	<b>Spanish</b>	<b>Remarks</b>
1	6108102M91	1	Bucket, Digger - 1500mm,Jcb,S/Land Q/Att	Godet	Ladeschaufel	Cuchara, Conj.	
2	#BUCKET	1	Bucket	Bucket	Bucket	Bucket	Ref. 1
3	#BLADE	1	Blade	Blade	Blade	Blade	Ref. 1



C-98103-01.1-A





<b>Item</b>	<b>Part No.</b>	<b>Qty.</b>	<b>English</b>	<b>French</b>	<b>German</b>	<b>Spanish</b>	<b>Remarks</b>
1	6108103M91	1	Bucket, Digger - 1800mm,Jcb,S/Land Q/Att	Godet	Ladeschaufel	Cuchara, Conj.	
2	#BUCKET	1	Bucket	Bucket	Bucket	Bucket	Ref. 1
3	#BLADE	1	Blade	Blade	Blade	Blade	Ref. 1



**Not Illustrated**

**Non Illustrée**

**Nicht Abgebildet**

**Non Illustrato**

**No Ilustrado**

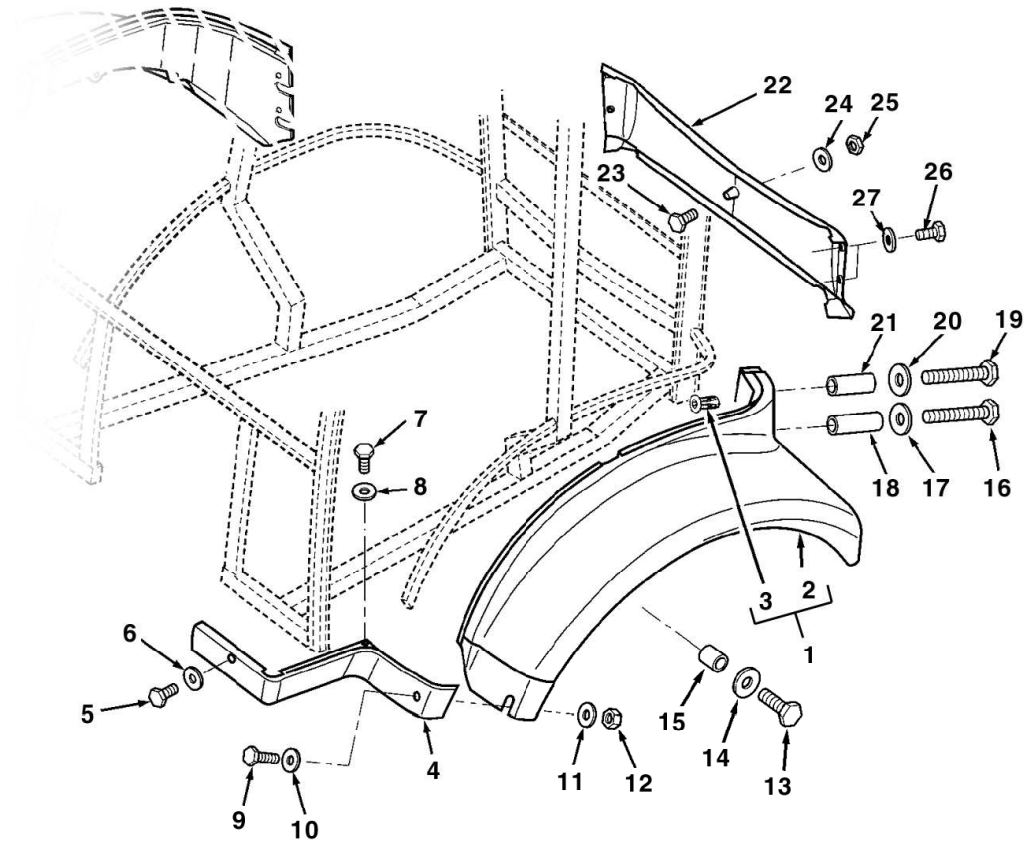
---

<b>Item</b>	<b>Part No.</b>	<b>Qty.</b>	<b>English</b>	<b>French</b>	<b>German</b>	<b>Spanish</b>	<b>Remarks</b>
-------------	-----------------	-------------	----------------	---------------	---------------	----------------	----------------

---



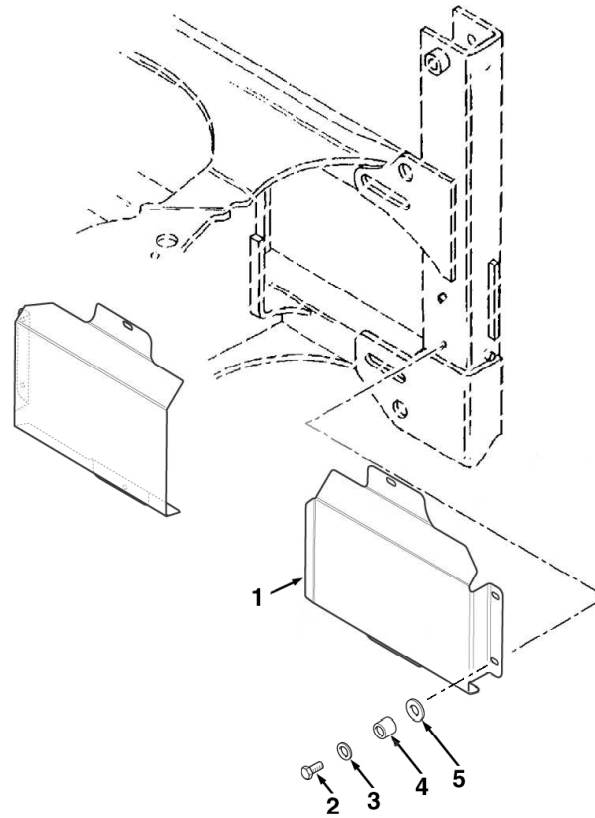
C-83002-01.1-A



Item	Part No.	Qty.	English	French	German	Spanish	Remarks
1	6101706M91	1	Fender Assy 4ws RH Fermec	Ensemble D&Aile	Kot*ügel-Kpl.	Guardabarros, Conj.	Yellow
1	6101705M91	1	Fender Assy 4ws LH - Fermec	Ensemble D&Aile	Kot*ügel-Kpl.	Guardabarros, Conj.	Yellow
2	#FENDER	1	Fender	Fender	Fender	Fender	Ref. 1
3	6101246M1	2	Jack Nut M6	Ecrou	Mutter	Tuerca Especial	
4	6099517M1	1	Panel	Panneau	Deckblech	Pieza De Apoyo	Yellow
4	6099516M1	1	Sill Panel LH	Rebord	Schwelle, Trittbrett	Pieza De Apoyo	Yellow
5	840-1620	2	Screw-Pan Head M6x20lg	Vis	Schraube	Tornillo	
6	390971X1	2	Washer M6-12-1 Zwl	Rondelle - M6	Scheibe - M6	Arandela	
7	6108652M1	2	Screw - M6 X 20lg Posi Head.	Vis	Schraube	Tornillo	
8	390972X1	2	Washer M8-17-1 Zwl	Rondelle M8	Scheibe - M8	Arandela	
9	3008229X1	2	Pan Hd.Screw M6 X 30	Vis	Schraube	Tornillo	
10	390971X1	2	Washer M6-12-1 Zwl	Rondelle - M6	Scheibe - M6	Arandela	
11	6102079M1	2	Washer	Rondelle	Scheibe	Arandela	
12	1441500X1	2	Nut M6 Z5 Nyloc	Ecrou	Flachmutter M6	Tuerca De Retención	
13	339009X1	8	Bolt - M8 X 35	Boulon M8 X 35	Maschschraube M8	Tornillo	
14	391039X1	8	Washer M8-24-2 Z	Rondelle M8	Scheibe M8	Arandela	
15	6101730M1	8	Spacer	Entretoise	Distanzstück	Traviesa	July 2007
16	339891X1	2	Bolt M8-80 Z5s	Boulon M8 X 80	Maschschraube M8	Tornillo	
17	391039X1	2	Washer M8-24-2 Z	Rondelle M8	Scheibe M8	Arandela	
18	6101732M2	2	Spacer-Rear Fender	Entretoise	Distanzstück	Traviesa	July 2007
19	339891X1	2	Bolt M8-80 Z5s	Boulon M8 X 80	Maschschraube M8	Tornillo	
20	391039X1	2	Washer M8-24-2 Z	Rondelle M8	Scheibe M8	Arandela	
21	6101731M2	2	Spacer-Rear Fender	Entretoise	Distanzstück	Traviesa	July 2007
22	6099515M1	1	Rear Panel	Panneau	Deckblech	Panel	Yellow
23	339804X1	1	Bolt, Hex, - M6 X 25	Goupille	Maschschrb Metr - M6	Tornillo	
24	391038X1	1	Washer M6 - Large Zinc Hardened	Rondelle	Scheibe	Arandela	
25	1441500X1	1	Nut M6 Z5 Nyloc	Ecrou	Flachmutter M6	Tuerca De Retención	
26	840-1620	4	Screw-Pan Head M6x20lg	Vis	Schraube	Tornillo	
27	391038X1	4	Washer M6 - Large Zinc Hardened	Rondelle	Scheibe	Arandela	



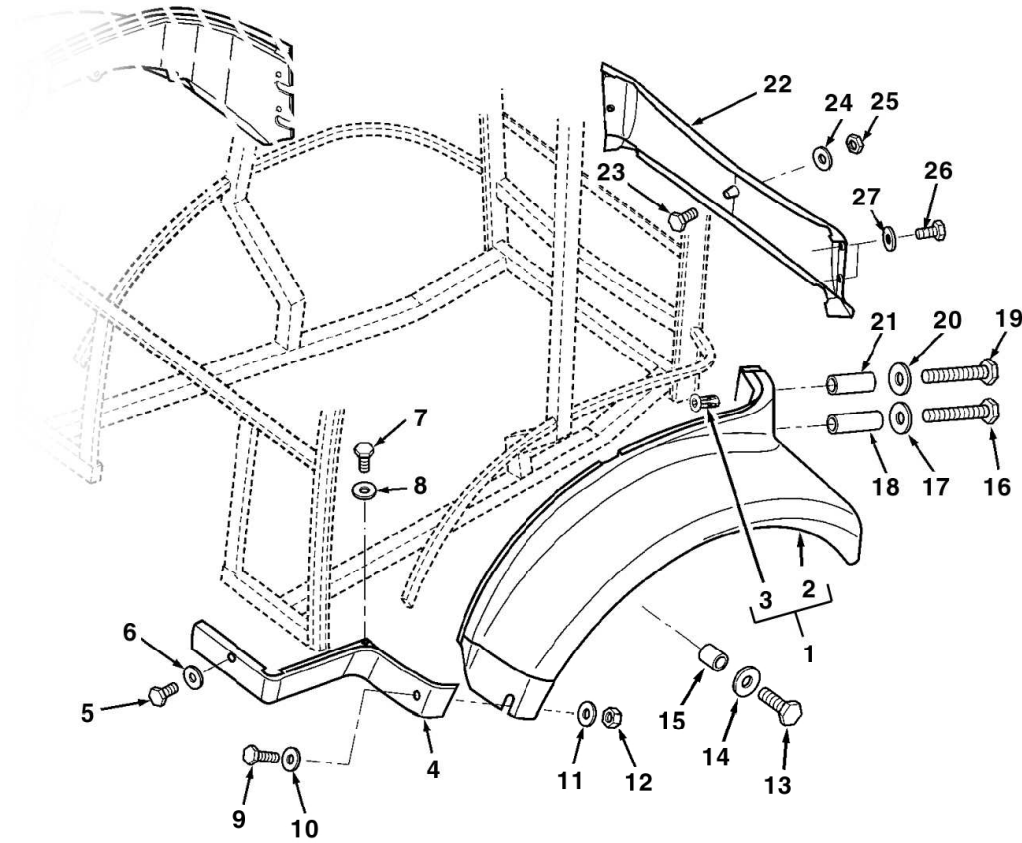
C-83002-02.1-A



Item	Part No.	Qty.	English	French	German	Spanish	Remarks
1	6109661M1	1	Mudguard LH Unpainted	Garde-Boue	Schmutzabweiser	Guardafango	
1	6109662M1	1	Mudguard RH Unpainted	Garde-Boue	Schmutzabweiser	Guardafango	
2	339124X1	8	Bolt M8-16 Z5f	Goupille	Maschschrb Metr - M8	Tornillo	
3	390972X1	8	Washer M8-17-1 Zwl	Rondelle M8	Scheibe - M8	Arandela	
4	6101892M1	8	Spacer-Nylon	Entretoise	Distanzstück	Traviesa	
5	390735X1	8	Washer M12-24-2 Z	Rondelle	Scheibe - M12	Arandela	



C-83003-01.1-A

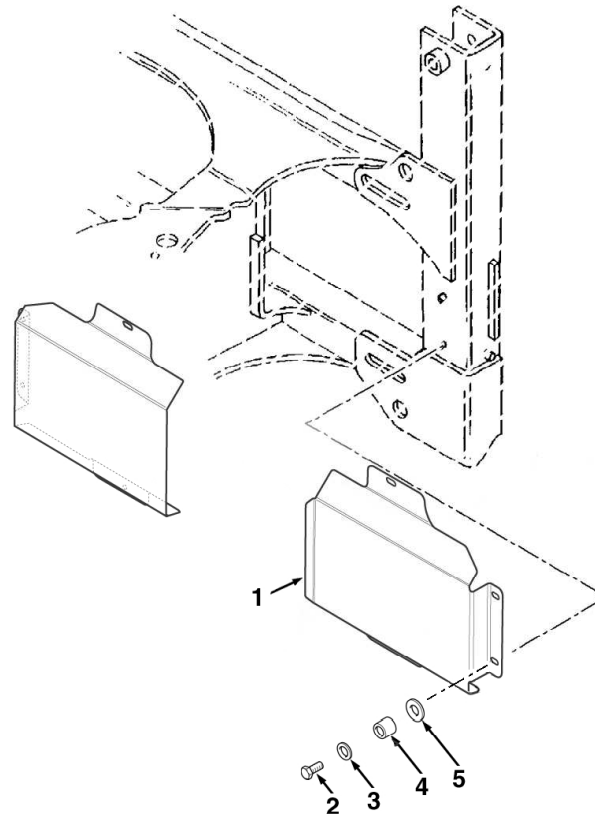




Item	Part No.	Qty.	English	French	German	Spanish	Remarks
1	6101707M91	1	Fender Assy 4ws LH	Ensemble D&Aile	Kot•ügel-Kpl.	Guardabarros, Conj.	Grey
1	6101708M91	1	Fender Assy 4ws RH	Ensemble D&Aile	Kot•ügel-Kpl.	Guardabarros, Conj.	Grey
2	#FENDER	1	Fender	Fender	Fender	Fender	Ref. 1
3	6101246M1	2	Jack Nut M6	Ecrou	Mutter	Tuerca Especial	
4	6099548M1	1	Panel-Rh Sill	Rebord	Schwelle, Trittbrett	Pieza De Apoyo	Grey
4	6099547M1	1	Panel Sill LH	Rebord	Schwelle, Trittbrett	Pieza De Apoyo	Grey
5	840-1620	2	Screw-Pan Head M6x20lg	Vis	Schraube	Tornillo	
6	390971X1	2	Washer M6-12-1 Zwl	Rondelle - M6	Scheibe - M6	Arandela	
7	6108652M1	2	Screw - M6 X 20lg Posi Head.	Vis	Schraube	Tornillo	
8	390972X1	2	Washer M8-17-1 Zwl	Rondelle M8	Scheibe - M8	Arandela	
9	3008229X1	2	Pan Hd.Screw M6 X 30	Vis	Schraube	Tornillo	
10	390971X1	2	Washer M6-12-1 Zwl	Rondelle - M6	Scheibe - M6	Arandela	
11	6102079M1	2	Washer	Rondelle	Scheibe	Arandela	
12	1441500X1	2	Nut M6 Z5 Nyloc	Ecrou	Flachmutter M6	Tuerca De Retención	
13	339009X1	8	Bolt - M8 X 35	Boulon M8 X 35	Maschschraube M8	Tornillo	
14	391039X1	8	Washer M8-24-2 Z	Rondelle M8	Scheibe M8	Arandela	
15	6101730M1	8	Spacer	Entretoise	Distanzstück	Traviesa	July 2007
16	339891X1	2	Bolt M8-80 Z5s	Boulon M8 X 80	Maschschraube M8	Tornillo	
17	391039X1	2	Washer M8-24-2 Z	Rondelle M8	Scheibe M8	Arandela	
18	6101732M2	2	Spacer-Rear Fender	Entretoise	Distanzstück	Traviesa	July 2007
19	339891X1	2	Bolt M8-80 Z5s	Boulon M8 X 80	Maschschraube M8	Tornillo	
20	391039X1	2	Washer M8-24-2 Z	Rondelle M8	Scheibe M8	Arandela	
21	6101731M2	2	Spacer-Rear Fender	Entretoise	Distanzstück	Traviesa	July 2007
22	6099557M1	1	Rear Panel	Panneau	Deckblech	Panel	Grey
23	339804X1	1	Bolt, Hex, - M6 X 25	Goupille	Maschschrb Metr - M6	Tornillo	
24	391038X1	1	Washer M6 - Large Zinc Hardened	Rondelle	Scheibe	Arandela	
25	1441500X1	1	Nut M6 Z5 Nyloc	Ecrou	Flachmutter M6	Tuerca De Retención	
26	840-1620	4	Screw-Pan Head M6x20lg	Vis	Schraube	Tornillo	
27	391038X1	4	Washer M6 - Large Zinc Hardened	Rondelle	Scheibe	Arandela	

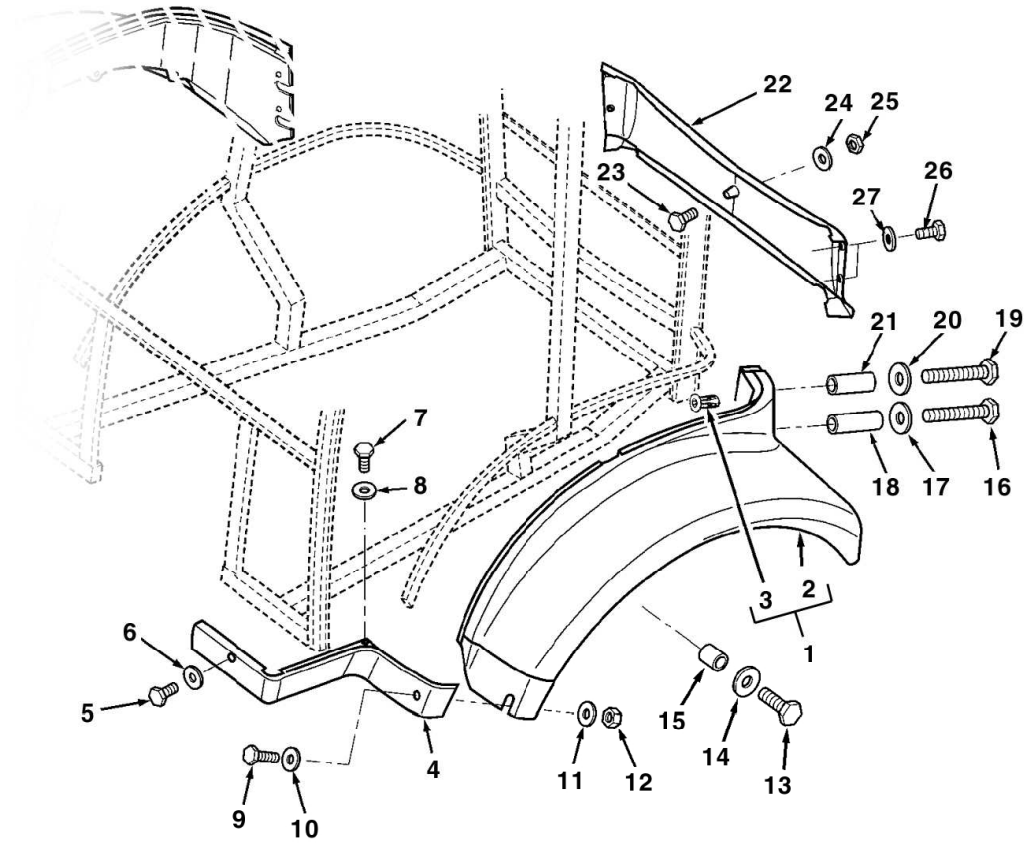


C-83003-02.1-A



Item	Part No.	Qty.	English	French	German	Spanish	Remarks
1	6109661M1	1	Mudguard LH Unpainted	Garde-Boue	Schmutzabweiser	Guardafango	
1	6109662M1	1	Mudguard RH Unpainted	Garde-Boue	Schmutzabweiser	Guardafango	
2	339124X1	8	Bolt M8-16 Z5f	Goupille	Maschschrb Metr - M8	Tornillo	
3	390972X1	8	Washer M8-17-1 Zwl	Rondelle M8	Scheibe - M8	Arandela	
4	6101892M1	8	Spacer-Nylon	Entretoise	Distanzstück	Traviesa	
5	390735X1	8	Washer M12-24-2 Z	Rondelle	Scheibe - M12	Arandela	

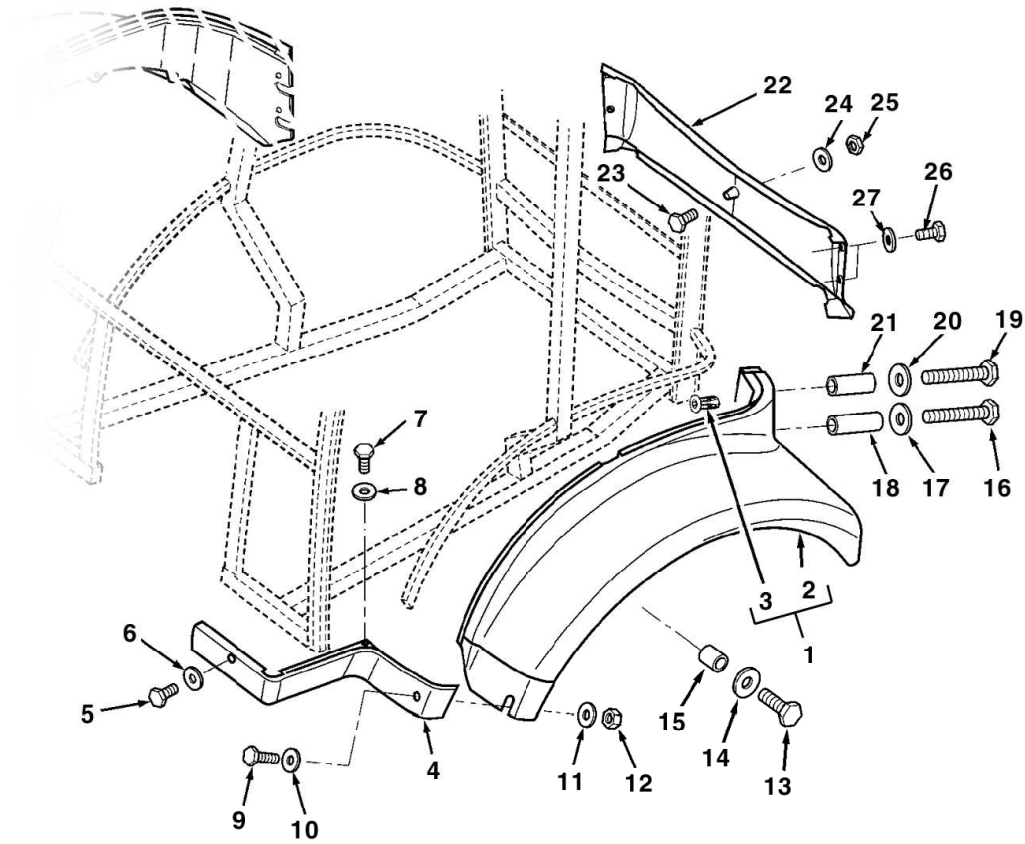
C-83005-01.1-A



Item	Part No.	Qty.	English	French	German	Spanish	Remarks
1	6101706M91	1	Fender Assy 4ws RH Fermec	Ensemble D&Aile	Kot*ügel-Kpl.	Guardabarros, Conj.	Yellow
1	6101705M91	1	Fender Assy 4ws LH - Fermec	Ensemble D&Aile	Kot*ügel-Kpl.	Guardabarros, Conj.	Yellow
2	#FENDER	1	Fender	Fender	Fender	Fender	Ref. 1
3	6101246M1	2	Jack Nut M6	Ecrou	Mutter	Tuerca Especial	
4	6099517M1	1	Panel	Panneau	Deckblech	Pieza De Apoyo	Yellow
4	6099516M1	1	Sill Panel LH	Rebord	Schwelle, Trittbrett	Pieza De Apoyo	Yellow
5	840-1620	2	Screw-Pan Head M6x20lg	Vis	Schraube	Tornillo	
6	390971X1	2	Washer M6-12-1 Zwl	Rondelle - M6	Scheibe - M6	Arandela	
7	6108652M1	2	Screw - M6 X 20lg Posi Head.	Vis	Schraube	Tornillo	
8	390972X1	2	Washer M8-17-1 Zwl	Rondelle M8	Scheibe - M8	Arandela	
9	3008229X1	2	Pan Hd.Screw M6 X 30	Vis	Schraube	Tornillo	
10	390971X1	2	Washer M6-12-1 Zwl	Rondelle - M6	Scheibe - M6	Arandela	
11	6102079M1	2	Washer	Rondelle	Scheibe	Arandela	
12	1441500X1	2	Nut M6 Z5 Nyloc	Ecrou	Flachmutter M6	Tuerca De Retención	
13	339009X1	8	Bolt - M8 X 35	Boulon M8 X 35	Maschschraube M8	Tornillo	
14	391039X1	8	Washer M8-24-2 Z	Rondelle M8	Scheibe M8	Arandela	
15	6101730M1	8	Spacer	Entretoise	Distanzstück	Traviesa	July 2007
16	339891X1	2	Bolt M8-80 Z5s	Boulon M8 X 80	Maschschraube M8	Tornillo	
17	391039X1	2	Washer M8-24-2 Z	Rondelle M8	Scheibe M8	Arandela	
18	6101732M2	2	Spacer-Rear Fender	Entretoise	Distanzstück	Traviesa	July 2007
19	339891X1	2	Bolt M8-80 Z5s	Boulon M8 X 80	Maschschraube M8	Tornillo	
20	391039X1	2	Washer M8-24-2 Z	Rondelle M8	Scheibe M8	Arandela	
21	6101731M2	2	Spacer-Rear Fender	Entretoise	Distanzstück	Traviesa	July 2007
22	6099515M1	1	Rear Panel	Panneau	Deckblech	Panel	Yellow
23	339804X1	1	Bolt, Hex, - M6 X 25	Goupille	Maschschrb Metr - M6	Tornillo	
24	391038X1	1	Washer M6 - Large Zinc Hardened	Rondelle	Scheibe	Arandela	
25	1441500X1	1	Nut M6 Z5 Nyloc	Ecrou	Flachmutter M6	Tuerca De Retención	
26	840-1620	4	Screw-Pan Head M6x20lg	Vis	Schraube	Tornillo	
27	391038X1	4	Washer M6 - Large Zinc Hardened	Rondelle	Scheibe	Arandela	



C-83006-01.1-A



Item	Part No.	Qty.	English	French	German	Spanish	Remarks
1	6101708M91	1	Fender Assy 4ws RH	Ensemble D&Aile	Kot*ügel-Kpl.	Guardabarros, Conj.	Grey
1	6101707M91	1	Fender Assy 4ws LH	Ensemble D&Aile	Kot*ügel-Kpl.	Guardabarros, Conj.	Grey
2	#FENDER	1	Fender	Fender	Fender	Fender	Ref. 1
3	6101246M1	2	Jack Nut M6	Ecrou	Mutter	Tuerca Especial	
4	6099548M1	1	Panel-Rh Sill	Rebord	Schwelle, Trittbrett	Pieza De Apoyo	Grey
4	6099547M1	1	Panel Sill LH	Rebord	Schwelle, Trittbrett	Pieza De Apoyo	Grey
5	840-1620	2	Screw-Pan Head M6x20lg	Vis	Schraube	Tornillo	
6	390971X1	2	Washer M6-12-1 Zwel	Rondelle - M6	Scheibe - M6	Arandela	
7	6108652M1	2	Screw - M6 X 20lg Posi Head.	Vis	Schraube	Tornillo	
8	390972X1	2	Washer M8-17-1 Zwel	Rondelle M8	Scheibe - M8	Arandela	
9	3008229X1	2	Pan Hd.Screw M6 X 30	Vis	Schraube	Tornillo	
10	390971X1	2	Washer M6-12-1 Zwel	Rondelle - M6	Scheibe - M6	Arandela	
11	6102079M1	2	Washer	Rondelle	Scheibe	Arandela	
12	1441500X1	2	Nut M6 Z5 Nyloc	Ecrou	Flachmutter M6	Tuerca De Retención	
13	339009X1	8	Bolt - M8 X 35	Boulon M8 X 35	Maschschraube M8	Tornillo	
14	391039X1	8	Washer M8-24-2 Z	Rondelle M8	Scheibe M8	Arandela	
15	6101730M1	8	Spacer	Entretoise	Distanzstück	Traviesa	July 2007
16	339891X1	2	Bolt M8-80 Z5s	Boulon M8 X 80	Maschschraube M8	Tornillo	
17	391039X1	2	Washer M8-24-2 Z	Rondelle M8	Scheibe M8	Arandela	
18	6101732M2	2	Spacer-Rear Fender	Entretoise	Distanzstück	Traviesa	July 2007
19	339891X1	2	Bolt M8-80 Z5s	Boulon M8 X 80	Maschschraube M8	Tornillo	
20	391039X1	2	Washer M8-24-2 Z	Rondelle M8	Scheibe M8	Arandela	
21	6101731M2	2	Spacer-Rear Fender	Entretoise	Distanzstück	Traviesa	July 2007
22	6099557M1	1	Rear Panel	Panneau	Deckblech	Panel	Grey
23	339804X1	1	Bolt, Hex, - M6 X 25	Goupille	Maschschrb Metr - M6	Tornillo	
24	391038X1	1	Washer M6 - Large Zinc Hardened	Rondelle	Scheibe	Arandela	
25	1441500X1	1	Nut M6 Z5 Nyloc	Ecrou	Flachmutter M6	Tuerca De Retención	
26	840-1620	4	Screw-Pan Head M6x20lg	Vis	Schraube	Tornillo	
27	391038X1	4	Washer M6 - Large Zinc Hardened	Rondelle	Scheibe	Arandela	



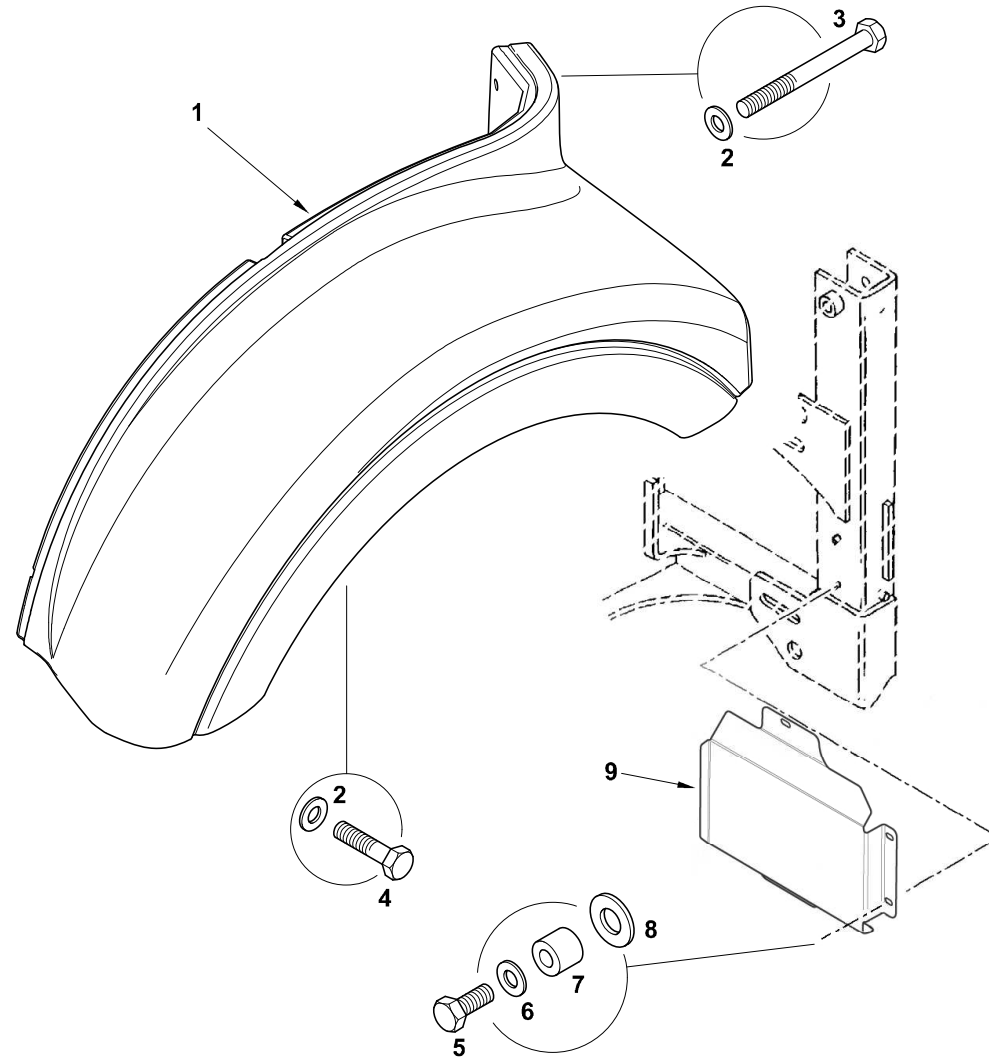
**Not Serviced**



THIS PAGE INTENTIONALLY LEFT BLANK

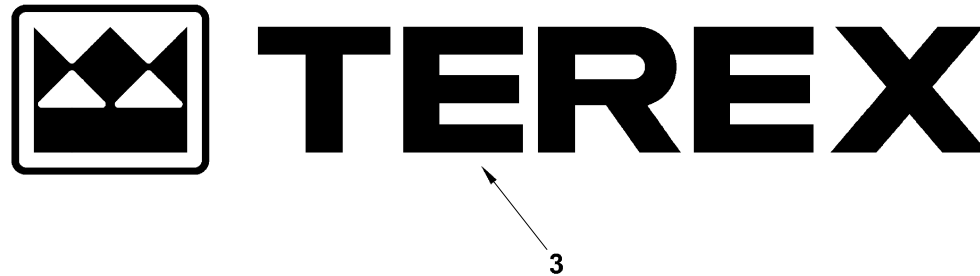
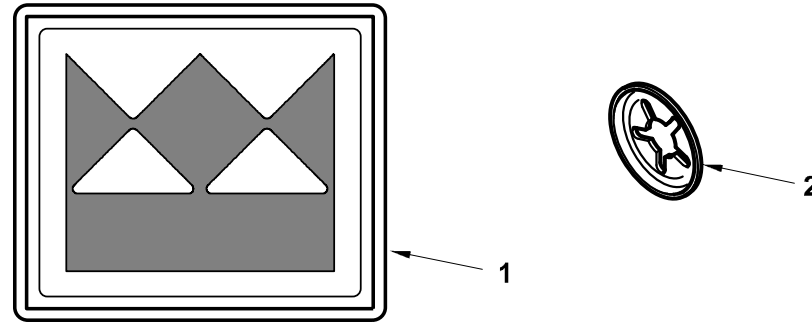


C-83016-01.1-A



Item	Part No.	Qty.	English	French	German	Spanish	Remarks
1	T101156	1	Fender Rear Assy - 4ws - LH - Black	Aile	Kot•ugel	Guardabarros	
1	T101155	1	Fender Rear Assy - 4ws - RH - Black	Aile	Kot•ugel	Guardabarros	
2	391039X1	12	Washer M8-24-2 Z	Rondelle M8	Scheibe M8	Arandela	
3	339891X1	4	Bolt M8-80 Z5s	Boulon M8 X 80	Maschschraube M8	Tornillo	
4	339009X1	8	Bolt - M8 X 35	Boulon M8 X 35	Maschschraube M8	Tornillo	
5	339124X1	8	Bolt M8-16 Z5f	Goupille	Maschschrb Metr - M8	Tornillo	
6	390972X1	8	Washer M8-17-1 Zwl	Rondelle M8	Scheibe - M8	Arandela	
7	6101892M1	8	Spacer-Nylon	Entretoise	Distanzstück	Traviesa	
8	390735X1	8	Washer M12-24-2 Z	Rondelle	Scheibe - M12	Arandela	
9	6109661M1GY03	1	Mudguard Rear LH - (Terex Grey)	Garde-Boue	Schmutzabweiser	Mudguard Rear LH - (Terex Grey)	
9	6109662M1GY03	1	Mudguard Rear RH - (Terex Grey)	Garde-Boue	Schmutzabweiser	Mudguard Rear RH - (Terex Grey)	

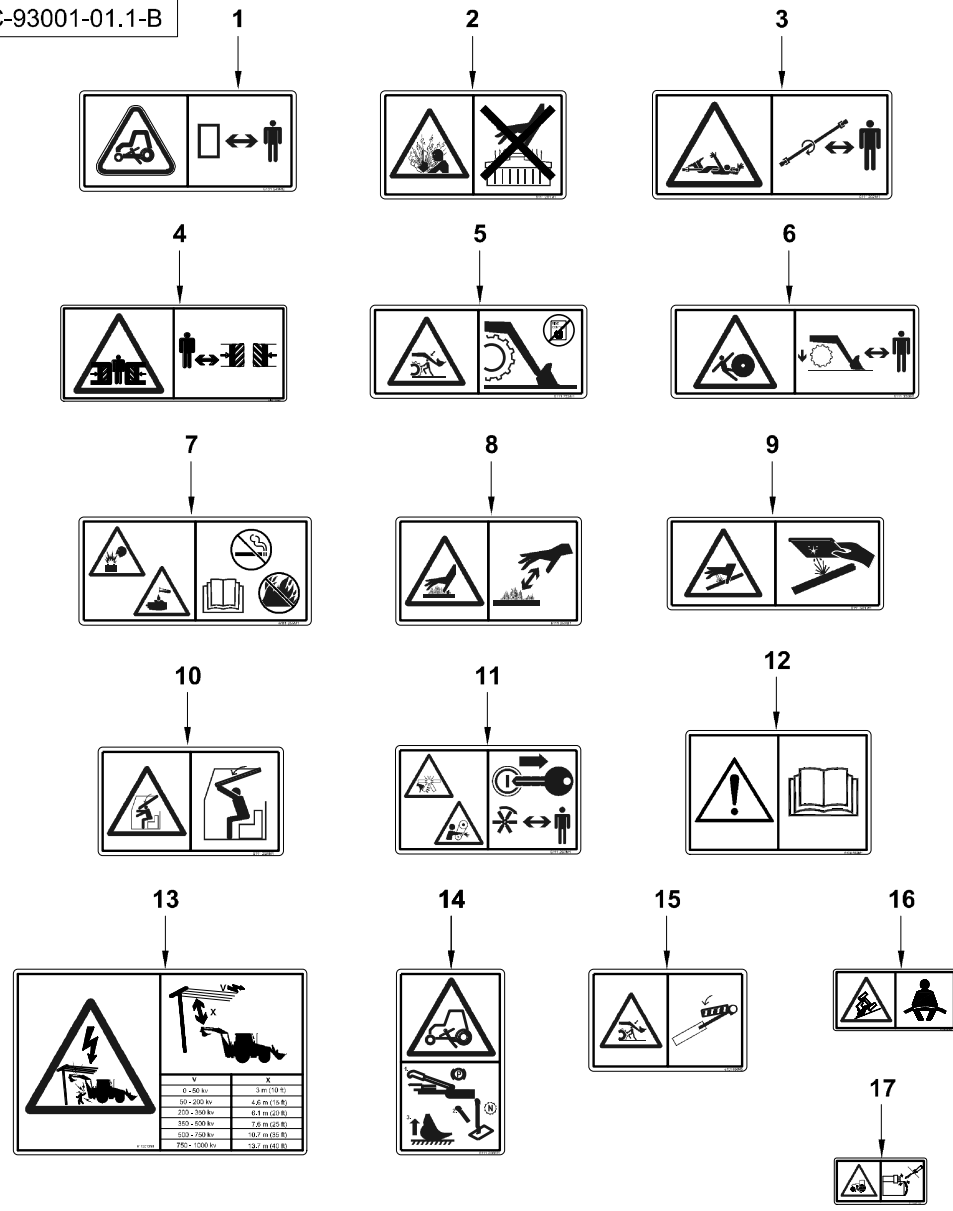
C-92023-01.1-B



<b>Item</b>	<b>Part No.</b>	<b>Qty.</b>	<b>English</b>	<b>French</b>	<b>German</b>	<b>Spanish</b>	<b>Remarks</b>
1	6107978M91	1	Badge, Terex - Radiator Grille	Emblème	Abzeichen	Emblema	
2	6100457M1	2	Fastener - Push On	Attache	Halteklammer	Enganche	
3	8002-2681	2	Decal - Terex Boom RH	Decalcolmanie	Abziehbild	Placa	

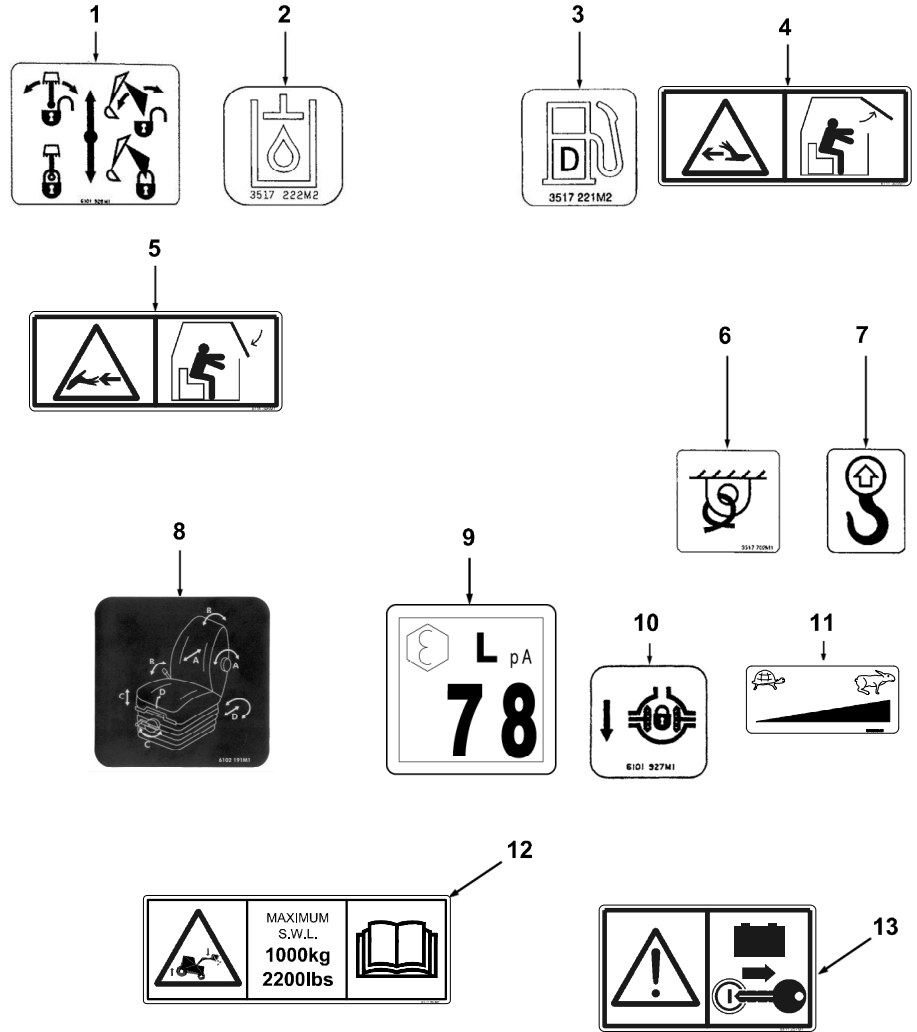


C-93001-01.1-B



Item	Part No.	Qty.	English	French	German	Spanish	Remarks
1	6101949M2	4	Decal Stay A Safe Distance	Adhésif	Aufkleber	Adhesivo	
2	6111261M1	1	Decal - Radiator (Warning)	Adhésif	Aufkleber	Adhesivo	
3	6111262M1	2	Decal - Warning (Rotating Parts)	Adhésif	Aufkleber	Adhesivo	
4	6102056M2	2	Decal - Warning (Avoid Crushing)	Adhésif	Aufkleber	Adhesivo	
5	6111253M2	2	Decal - Avoid Crush	Adhésif	Aufkleber	Adhesivo	
6	6111358M1	2	Decal - Avoid Crush	Adhésif	Aufkleber	Adhesivo	
7	6111255M1	1	Decal - Battery	Adhésif	Aufkleber	Adhesivo	
8	6111259M1	1	Decal - Exhaust (Warning)	Adhésif	Aufkleber	Adhesivo	
9	6111361M1	2	Decal - Injection Skin	Adhésif	Aufkleber	Adhesivo	
10	6111258M1	1	Decal- Support Glass	Adhésif	Aufkleber	Adhesivo	
11	6111260M1	1	Decal- Fan (Warning)	Adhésif	Aufkleber	Adhesivo	
12	6108692M1	1	Decal - Operators Instruction Book	Adhésif	Aufkleber	Adhesivo	
13	6112013M1	1	Decal Electrocutation Hazard ISO	Adhésif	Aufkleber	Adhesivo	
14	6111256M1	1	Decal - Select Neutral	Adhésif	Aufkleber	Adhesivo	
15	6101950M3	2	Decal - Warning (Safety Strut)	Adhésif	Aufkleber	Adhesivo	
16	6101952M3	1	Decal-Avoid Crushing	Adhésif	Aufkleber	Adhesivo	
17	6101951M3	1	Decal - Warning (Start Engine)	Adhésif	Aufkleber	Adhesivo	

C-93001-02.1-E

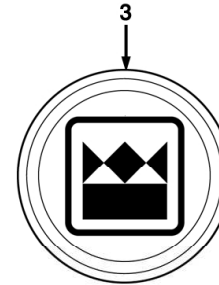
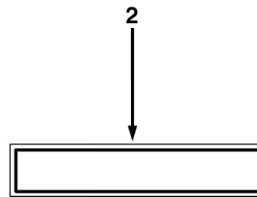
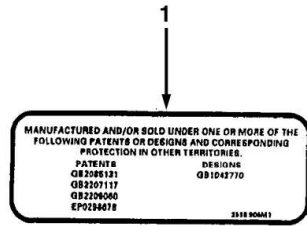




Item	Part No.	Qty.	English	French	German	Spanish	Remarks
1	6101928M1	1	Decal-Transport Lock	Adhésif	Aufkleber	Adhesivo	
2	3517222M3	1	Decal - Hydraulic Oil	Adhésif	Aufkleber	Adhesivo	
3	3517221M3	1	Decal - Diesel Fuel	Adhésif	Aufkleber	Adhesivo	
4	6111305M1	1	Decal - Push Window To Open	Adhésif	Aufkleber	Adhesivo	
5	6111306M1	1	Decal - Pull Window To Close	Adhésif	Aufkleber	Adhesivo	
6	3517702M1	4	Decal - Tie Down	Adhésif	Aufkleber	Adhesivo	
7	3517703M1	4	Decal - Lifting	Adhésif	Aufkleber	Adhesivo	
8	6102191M1	1	Decal-Seat Adjustment	Adhésif	Aufkleber	Adhesivo	
9	6009536M1	1	Decal Noise 78	Adhésif	Aufkleber	Adhesivo	
10	6101927M1	1	Decal - Diff Lock	Collant	Aufkleber	Adhesivo	
11	6110668M2	1	Decal Hand Throttle	Decalomanie	Aufkleber	Calcomania	
12	6102194M2	2	Decal - 1000kg Safe Working Load	Adhésif	Aufkleber	Adhesivo	
13	6111257M1	1	Decal - Battery Isolate	Adhésif	Aufkleber	Adhesivo	



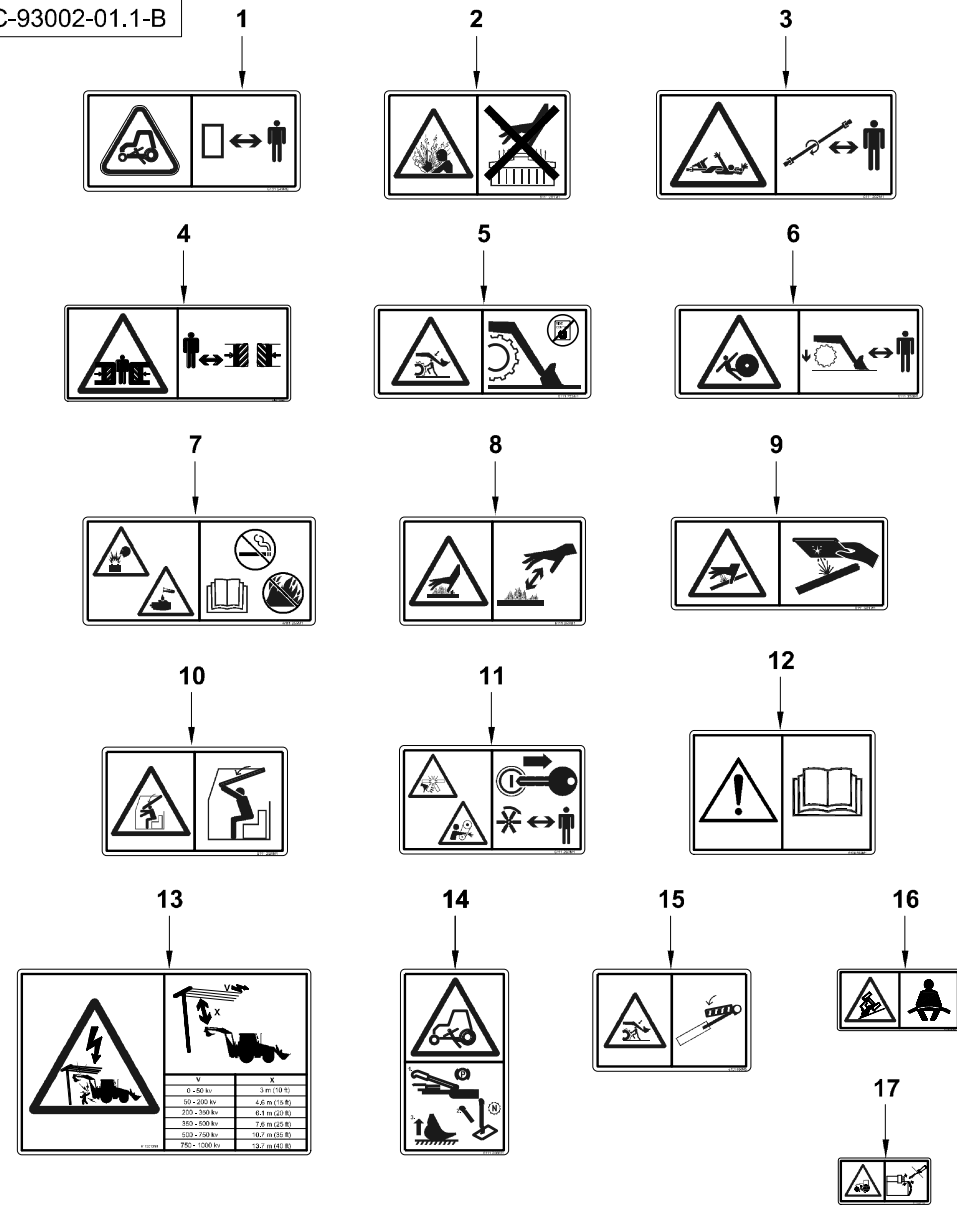
C-93001-03.1-A



<b>Item</b>	<b>Part No.</b>	<b>Qty.</b>	<b>English</b>	<b>French</b>	<b>German</b>	<b>Spanish</b>	<b>Remarks</b>
1	3516906M1	1	Decal Patent	Adhésif	Aufkleber	Adhesivo	
2	3516532M1	1	Decal - Serial Number Border	Adhésif	Aufkleber	Adhesivo	
3	6107927M1	1	Cap Steering Wheel-Terex	Chapeau	Kappe	Sombrerete	



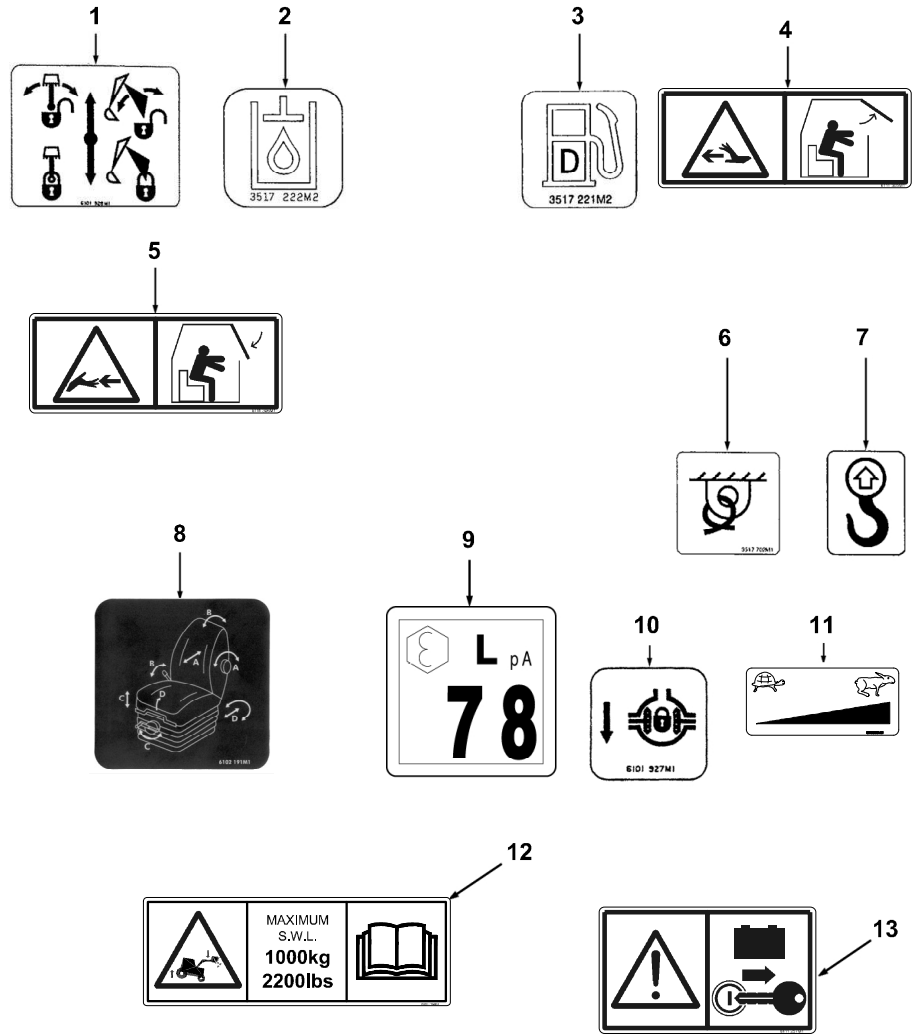
C-93002-01.1-B



Item	Part No.	Qty.	English	French	German	Spanish	Remarks
1	6101949M2	4	Decal Stay A Safe Distance	Adhésif	Aufkleber	Adhesivo	
2	6111261M1	1	Decal - Radiator (Warning)	Adhésif	Aufkleber	Adhesivo	
3	6111262M1	2	Decal - Warning (Rotating Parts)	Adhésif	Aufkleber	Adhesivo	
4	6102056M2	2	Decal - Warning (Avoid Crushing)	Adhésif	Aufkleber	Adhesivo	
5	6111253M2	2	Decal - Avoid Crush	Adhésif	Aufkleber	Adhesivo	
6	6111358M1	2	Decal - Avoid Crush	Adhésif	Aufkleber	Adhesivo	
7	6111255M1	1	Decal - Battery	Adhésif	Aufkleber	Adhesivo	
8	6111259M1	1	Decal - Exhaust (Warning)	Adhésif	Aufkleber	Adhesivo	
9	6111361M1	2	Decal - Injection Skin	Adhésif	Aufkleber	Adhesivo	
10	6111258M1	1	Decal- Support Glass	Adhésif	Aufkleber	Adhesivo	
11	6111260M1	1	Decal- Fan (Warning)	Adhésif	Aufkleber	Adhesivo	
12	6108692M1	1	Decal - Operators Instruction Book	Adhésif	Aufkleber	Adhesivo	
13	6112013M1	1	Decal Electrocutation Hazard ISO	Adhésif	Aufkleber	Adhesivo	
14	6111256M1	1	Decal - Select Neutral	Adhésif	Aufkleber	Adhesivo	
15	6101950M3	2	Decal - Warning (Safety Strut)	Adhésif	Aufkleber	Adhesivo	
16	6101952M3	1	Decal-Avoid Crushing	Adhésif	Aufkleber	Adhesivo	
17	6101951M3	1	Decal - Warning (Start Engine)	Adhésif	Aufkleber	Adhesivo	



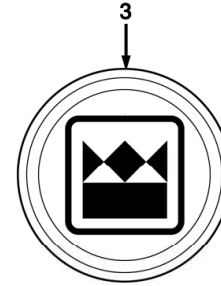
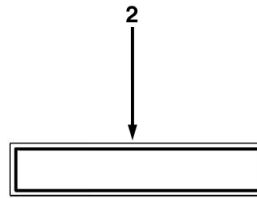
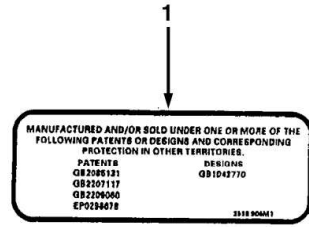
C-93002-02.1-E



Item	Part No.	Qty.	English	French	German	Spanish	Remarks
1	6101928M1	1	Decal-Transport Lock	Adhésif	Aufkleber	Adhesivo	
2	3517222M3	1	Decal - Hydraulic Oil	Adhésif	Aufkleber	Adhesivo	
3	3517221M3	1	Decal - Diesel Fuel	Adhésif	Aufkleber	Adhesivo	
4	6111305M1	1	Decal - Push Window To Open	Adhésif	Aufkleber	Adhesivo	
5	6111306M1	1	Decal - Pull Window To Close	Adhésif	Aufkleber	Adhesivo	
6	3517702M1	4	Decal - Tie Down	Adhésif	Aufkleber	Adhesivo	
7	3517703M1	4	Decal - Lifting	Adhésif	Aufkleber	Adhesivo	
8	6102191M1	1	Decal-Seat Adjustment	Adhésif	Aufkleber	Adhesivo	
9	6009536M1	1	Decal Noise 78	Adhésif	Aufkleber	Adhesivo	
10	6101927M1	1	Decal - Diff Lock	Collant	Aufkleber	Adhesivo	
11	6110668M2	1	Decal Hand Throttle	Decalomanie	Aufkleber	Calcomania	
12	6102194M2	2	Decal - 1000kg Safe Working Load	Adhésif	Aufkleber	Adhesivo	
13	6111257M1	1	Decal - Battery Isolate	Adhésif	Aufkleber	Adhesivo	



C-93002-03.1-A

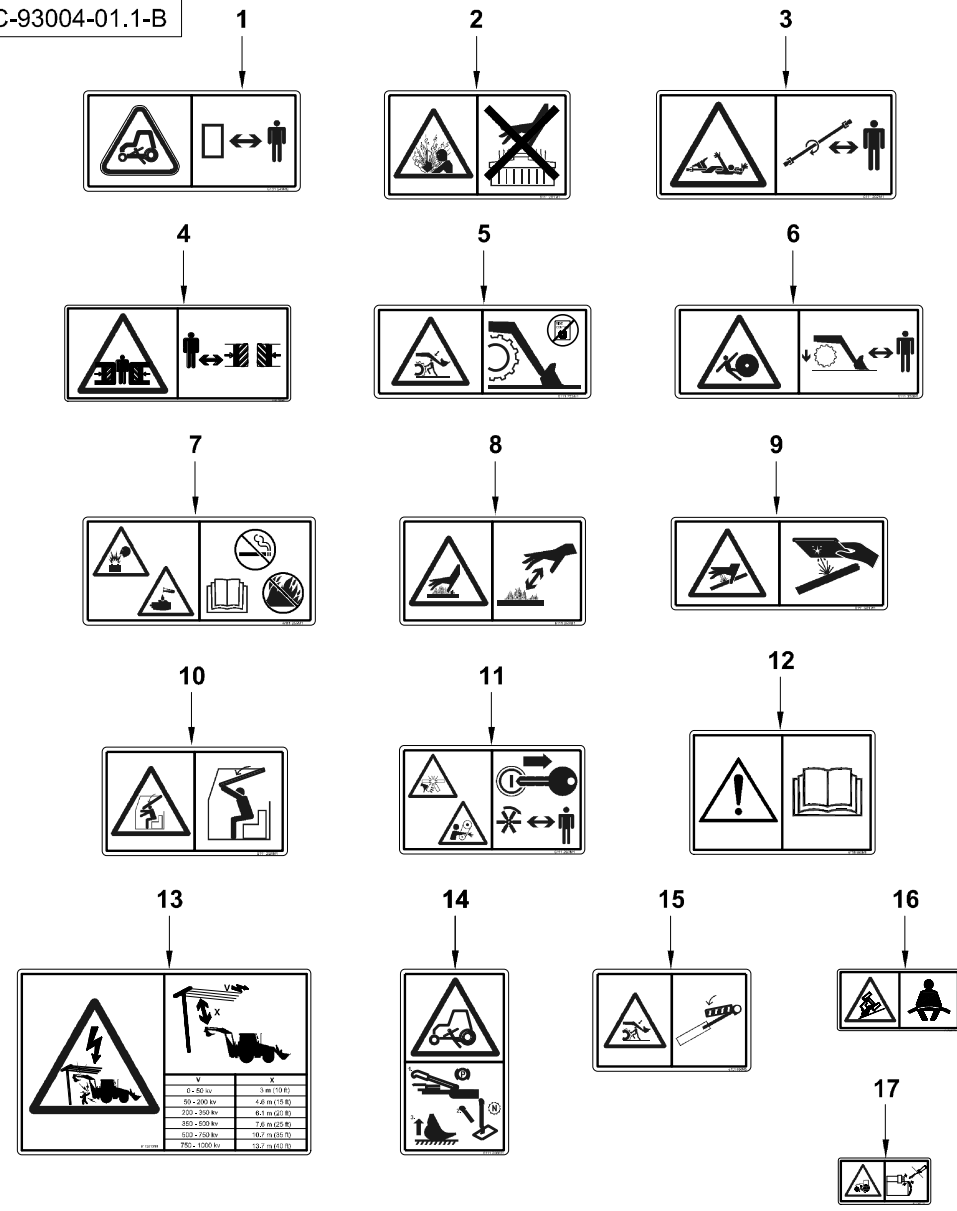




<b>Item</b>	<b>Part No.</b>	<b>Qty.</b>	<b>English</b>	<b>French</b>	<b>German</b>	<b>Spanish</b>	<b>Remarks</b>
1	3516906M1	1	Decal Patent	Adhésif	Aufkleber	Adhesivo	
2	3516532M1	1	Decal - Serial Number Border	Adhésif	Aufkleber	Adhesivo	
3	6107927M1	1	Cap Steering Wheel-Terex	Chapeau	Kappe	Sombrerete	



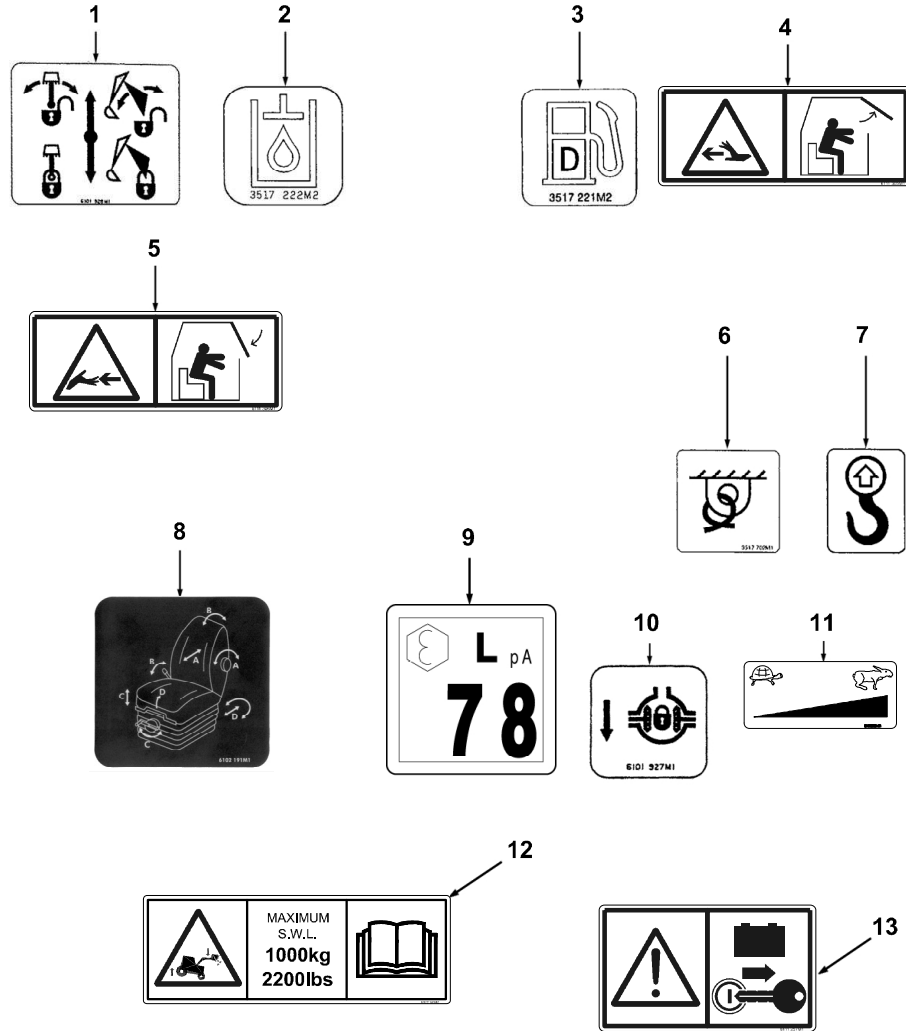
C-93004-01.1-B



Item	Part No.	Qty.	English	French	German	Spanish	Remarks
1	6101949M2	4	Decal Stay A Safe Distance	Adhésif	Aufkleber	Adhesivo	
2	6111261M1	1	Decal - Radiator (Warning)	Adhésif	Aufkleber	Adhesivo	
3	6111262M1	2	Decal - Warning (Rotating Parts)	Adhésif	Aufkleber	Adhesivo	
4	6102056M2	2	Decal - Warning (Avoid Crushing)	Adhésif	Aufkleber	Adhesivo	
5	6111253M2	2	Decal - Avoid Crush	Adhésif	Aufkleber	Adhesivo	
6	6111358M1	2	Decal - Avoid Crush	Adhésif	Aufkleber	Adhesivo	
7	6111255M1	1	Decal - Battery	Adhésif	Aufkleber	Adhesivo	
8	6111259M1	1	Decal - Exhaust (Warning)	Adhésif	Aufkleber	Adhesivo	
9	6111361M1	2	Decal - Injection Skin	Adhésif	Aufkleber	Adhesivo	
10	6111258M1	1	Decal- Support Glass	Adhésif	Aufkleber	Adhesivo	
11	6111260M1	1	Decal- Fan (Warning)	Adhésif	Aufkleber	Adhesivo	
12	6108692M1	1	Decal - Operators Instruction Book	Adhésif	Aufkleber	Adhesivo	
13	6112013M1	1	Decal Electrocutation Hazard ISO	Adhésif	Aufkleber	Adhesivo	
14	6111256M1	1	Decal - Select Neutral	Adhésif	Aufkleber	Adhesivo	
15	6101950M3	2	Decal - Warning (Safety Strut)	Adhésif	Aufkleber	Adhesivo	
16	6101952M3	1	Decal-Avoid Crushing	Adhésif	Aufkleber	Adhesivo	
17	6101951M3	1	Decal - Warning (Start Engine)	Adhésif	Aufkleber	Adhesivo	



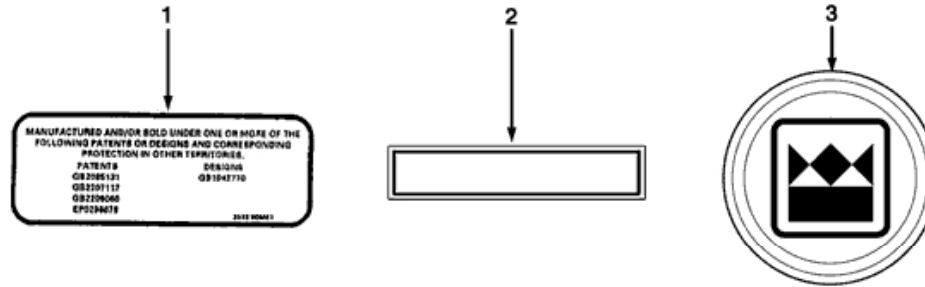
C-93004-02.1-F



Item	Part No.	Qty.	English	French	German	Spanish	Remarks
1	6101928M1	1	Decal-Transport Lock	Adhésif	Aufkleber	Adhesivo	
2	3517222M3	1	Decal - Hydraulic Oil	Adhésif	Aufkleber	Adhesivo	
3	3517221M3	1	Decal - Diesel Fuel	Adhésif	Aufkleber	Adhesivo	
4	6111305M1	1	Decal - Push Window To Open	Adhésif	Aufkleber	Adhesivo	
5	6111306M1	1	Decal - Pull Window To Close	Adhésif	Aufkleber	Adhesivo	
6	3517702M1	4	Decal - Tie Down	Adhésif	Aufkleber	Adhesivo	
7	3517703M1	4	Decal - Lifting	Adhésif	Aufkleber	Adhesivo	
8	6102191M1	1	Decal-Seat Adjustment	Adhésif	Aufkleber	Adhesivo	
9	6009536M1	1	Decal Noise 78	Adhésif	Aufkleber	Adhesivo	
10	6101927M1	1	Decal - Diff Lock	Collant	Aufkleber	Adhesivo	
11	6110668M2	1	Decal Hand Throttle	Decalomanie	Aufkleber	Calcomania	
12	6102194M2	2	Decal - 1000kg Safe Working Load	Adhésif	Aufkleber	Adhesivo	
13	6111257M1	1	Decal - Battery Isolate	Adhésif	Aufkleber	Adhesivo	



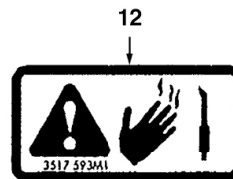
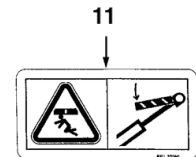
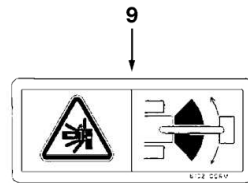
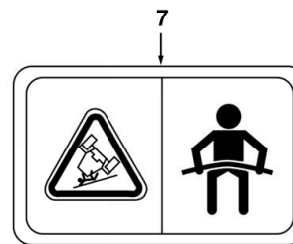
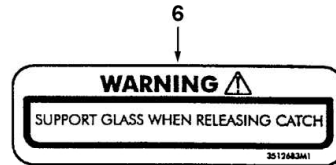
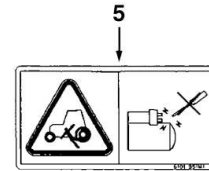
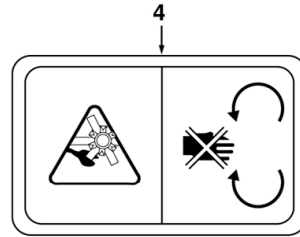
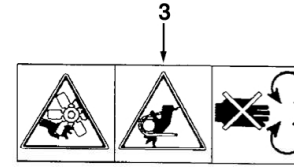
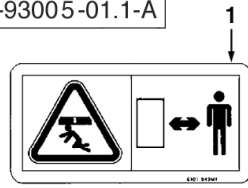
C-93004-03.1-B



<b>Item</b>	<b>Part No.</b>	<b>Qty.</b>	<b>English</b>	<b>French</b>	<b>German</b>	<b>Spanish</b>	<b>Remarks</b>
1	3516906M1	1	Decal Patent	Adhésif	Aufkleber	Adhesivo	
2	3516532M1	1	Decal - Serial Number Border	Adhésif	Aufkleber	Adhesivo	
3	6107927M1	1	Cap Steering Wheel-Terex	Chapeau	Kappe	Sombrerete	
4	6102158M1	1	Decal - Light Absorbtion	Adhésif	Aufkleber	Adhesivo	
5	6110677M1	2	Decal Stabiliser Leg Stripe	Adhésif	Aufkleber	Adhesivo	



C-93005-01.1-A

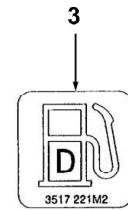
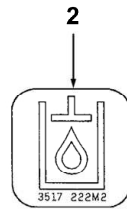
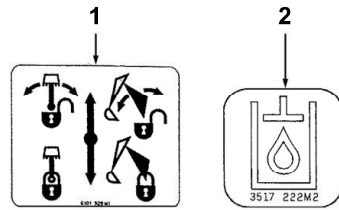




Item	Part No.	Qty.	English	French	German	Spanish	Remarks
1	6101949M1	4	Decal-Stay A Safe Distance - Nla	Adhésif	Aufkleber	Adhesivo	
2	6010161M2	1	Decal, Warning - Radiator	Adhésif	Aufkleber	Adhesivo	
3	6010160M2	2	Decal - Fan	Adhésif	Aufkleber	Adhesivo	
4	6010164M1	2	Decal, Warning - Engine Cover	Adhésif	Aufkleber	Adhesivo	
5	6101951M2	1	Decal-Engine Start	Adhésif	Adhésif	Adhesivo	
6	3512689M2	1	Decal Wrng Glass-Spn	Adhésif	Aufkleber	Adhesivo	
7	6101952M2	1	Decal-Avoid Crushing	Adhésif	Aufkleber	Adhesivo	
8	6102187M1	1	Decal - Engage Neutral (Spanish)	Adhésif	Aufkleber	Adhesivo	
9	6102056M1	2	Decal-Avoid Crushing	Adhésif	Aufkleber	Adhesivo	
10	321-6722	1	Decal-Battery	Adhésif	Aufkleber	Adhesivo	
11	6101950M2	1	Decal-Secure Lift Cyl.	Adhésif	Aufkleber	Adhesivo	
12	3517593M1	2	Decal Exhaust Warning	Adhésif	Aufkleber	Adhesivo	

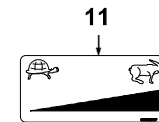
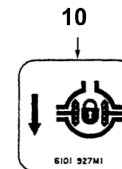
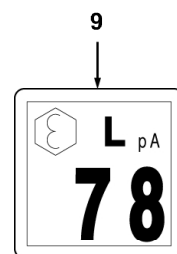
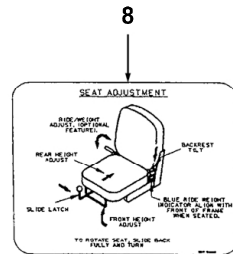
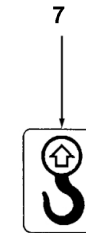
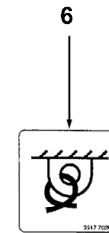



C-93005-02.1-D





4  
 PUSH TO OPEN  
 PUSSEZ POUR OUVRIR  
 ZUM ÖFFNEN BITTE DRÜCKEN  
 SPINGERE PER APRIRE  
 PULSAR PARA ABRIR  
 EMPURRAR PARA FORA PARA ABRIR  
 ÅBEN VED AT SKUBBE UD  
 DRUKKEN OM TE OPENEN  
 3511 48742

5  
 PULL DOWN TO CLOSE  
 TIREZ VERS LE BAS POUR FERMER  
 ZUM SCHLIESSEN BITTE HERUNTER ZIEHEN  
 TIRARE VERSO IL BASSO PER CHIUDERE  
 APRETAR PARA CERRAR  
 PUXAR PARA BAIXO PARA FECHAR  
 LUK VED AT TRÆKKE NED  
 TREKKEN OM TE SLUITEN  
 3511 48842



12  


MAXIMUM S.W.L	
1000 kg	
2200lbs	

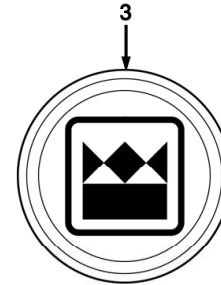
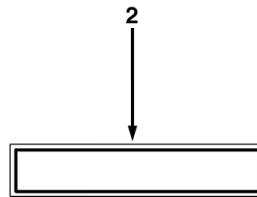
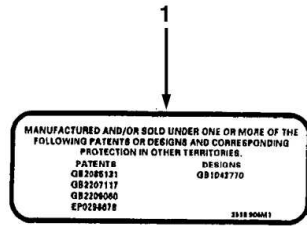
13  


SWITCH OFF BATTERY ISOLATOR BEFORE LEAVING MACHINE UNATTENDED
---

Item	Part No.	Qty.	English	French	German	Spanish	Remarks
1	6101928M1	1	Decal-Transport Lock	Adhésif	Aufkleber	Adhesivo	
2	3517222M3	1	Decal - Hydraulic Oil	Adhésif	Aufkleber	Adhesivo	
3	3517221M3	1	Decal - Diesel Fuel	Adhésif	Aufkleber	Adhesivo	
4	3511487M2	1	Decal Push Out Window	Adhésif	Aufkleber	Adhesivo	
5	3511488M2	1	Decal - Pull Down To Close	Adhésif	Aufkleber	Adhesivo	
6	3517702M1	4	Decal - Tie Down	Adhésif	Aufkleber	Adhesivo	
7	3517703M1	4	Decal - Lifting	Adhésif	Aufkleber	Adhesivo	
8	6102191M1	1	Decal-Seat Adjustment	Adhésif	Aufkleber	Adhesivo	
9	6009536M1	1	Decal Noise 78	Adhésif	Aufkleber	Adhesivo	
10	6101927M1	1	Decal - Diff Lock	Collant	Aufkleber	Adhesivo	
11	6110668M2	1	Decal Hand Throttle	Decalomanie	Aufkleber	Calcomania	
12	6102194M1	2	Decal - 1000kg Safe Working Load	Adhésif	Aufkleber	Adhesivo	
13	6108498M1	1	Decal-Battery Isolate Spanish	Adhésif	Aufkleber	Adhesivo	



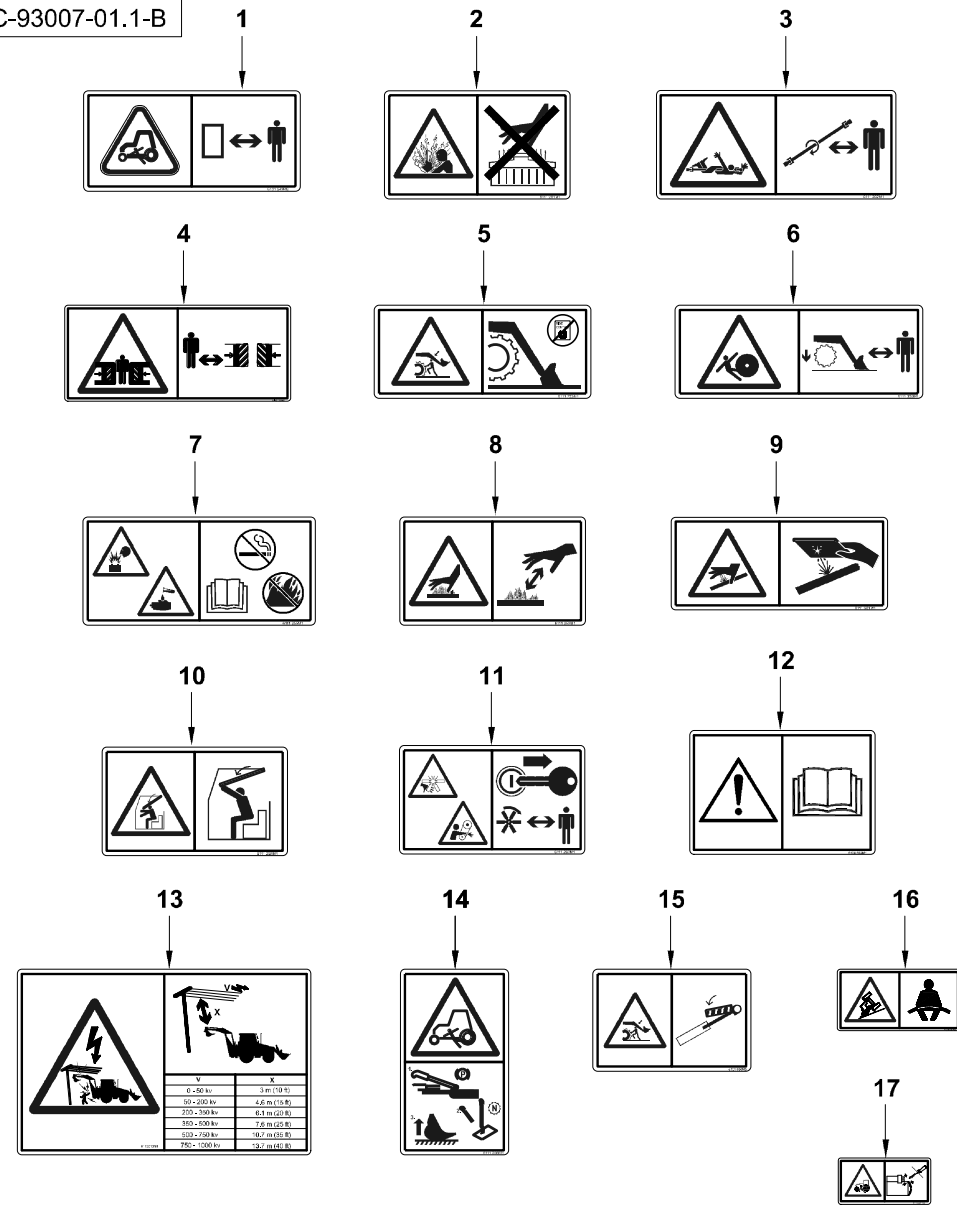
C-93005-03.1-A



<b>Item</b>	<b>Part No.</b>	<b>Qty.</b>	<b>English</b>	<b>French</b>	<b>German</b>	<b>Spanish</b>	<b>Remarks</b>
1	3516906M1	1	Decal Patent	Adhésif	Aufkleber	Adhesivo	
2	3516532M1	1	Decal - Serial Number Border	Adhésif	Aufkleber	Adhesivo	
3	6107927M1	1	Cap Steering Wheel-Terex	Chapeau	Kappe	Sombrerete	



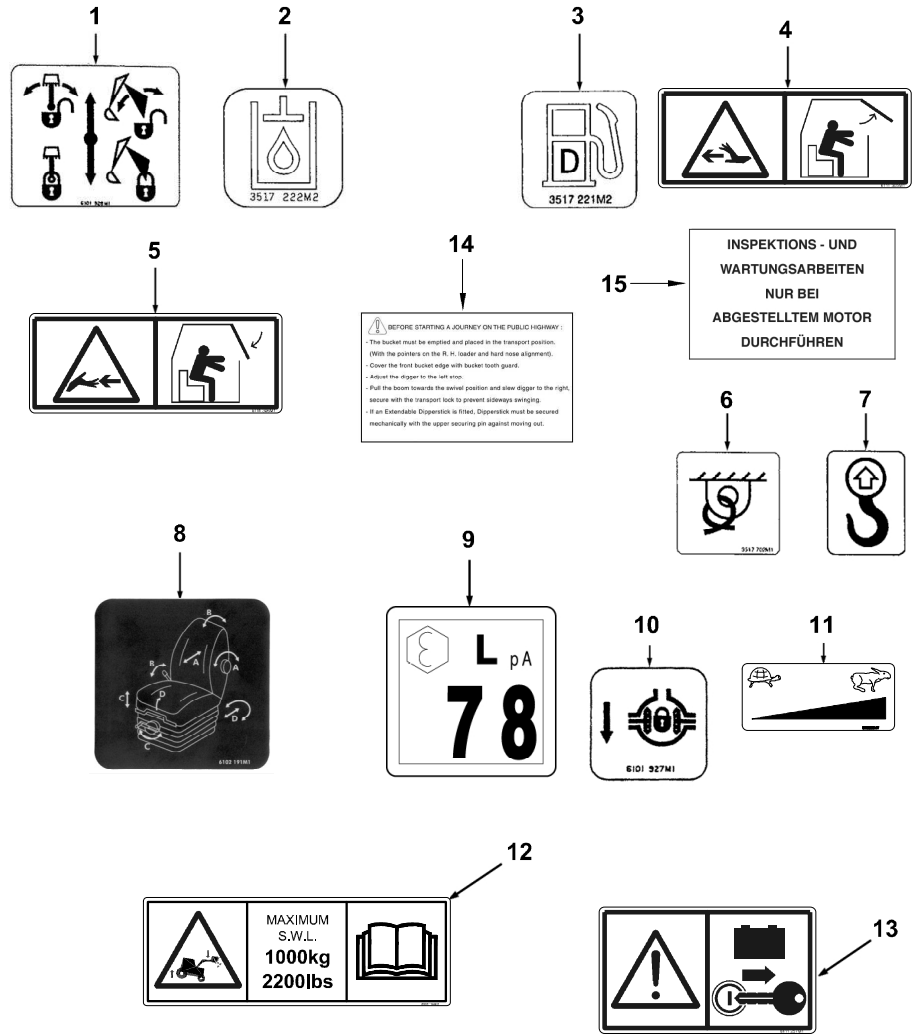
C-93007-01.1-B



Item	Part No.	Qty.	English	French	German	Spanish	Remarks
1	6101949M2	4	Decal Stay A Safe Distance	Adhésif	Aufkleber	Adhesivo	
2	6111261M1	1	Decal - Radiator (Warning)	Adhésif	Aufkleber	Adhesivo	
3	6111262M1	2	Decal - Warning (Rotating Parts)	Adhésif	Aufkleber	Adhesivo	
4	6102056M2	2	Decal - Warning (Avoid Crushing)	Adhésif	Aufkleber	Adhesivo	
5	6111253M2	2	Decal - Avoid Crush	Adhésif	Aufkleber	Adhesivo	
6	6111358M1	2	Decal - Avoid Crush	Adhésif	Aufkleber	Adhesivo	
7	6111255M1	1	Decal - Battery	Adhésif	Aufkleber	Adhesivo	
8	6111259M1	1	Decal - Exhaust (Warning)	Adhésif	Aufkleber	Adhesivo	
9	6111361M1	2	Decal - Injection Skin	Adhésif	Aufkleber	Adhesivo	
10	6111258M1	1	Decal- Support Glass	Adhésif	Aufkleber	Adhesivo	
11	6111260M1	1	Decal- Fan (Warning)	Adhésif	Aufkleber	Adhesivo	
12	6108692M1	1	Decal - Operators Instruction Book	Adhésif	Aufkleber	Adhesivo	
13	6112013M1	1	Decal Electrocutation Hazard ISO	Adhésif	Aufkleber	Adhesivo	
14	6111256M1	1	Decal - Select Neutral	Adhésif	Aufkleber	Adhesivo	
15	6101950M3	2	Decal - Warning (Safety Strut)	Adhésif	Aufkleber	Adhesivo	
16	6101952M3	1	Decal-Avoid Crushing	Adhésif	Aufkleber	Adhesivo	
17	6101951M3	1	Decal - Warning (Start Engine)	Adhésif	Aufkleber	Adhesivo	



C-93007-02.1-E

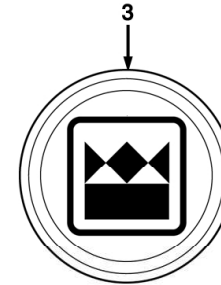
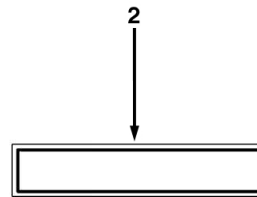
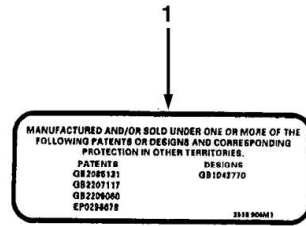




Item	Part No.	Qty.	English	French	German	Spanish	Remarks
1	6101928M1	1	Decal-Transport Lock	Adhésif	Aufkleber	Adhesivo	
2	3517222M3	1	Decal - Hydraulic Oil	Adhésif	Aufkleber	Adhesivo	
3	3517221M3	1	Decal - Diesel Fuel	Adhésif	Aufkleber	Adhesivo	
4	6111305M1	1	Decal - Push Window To Open	Adhésif	Aufkleber	Adhesivo	
5	6111306M1	1	Decal - Pull Window To Close	Adhésif	Aufkleber	Adhesivo	
6	3517702M1	4	Decal - Tie Down	Adhésif	Aufkleber	Adhesivo	
7	3517703M1	4	Decal - Lifting	Adhésif	Aufkleber	Adhesivo	
8	6102191M1	1	Decal-Seat Adjustment	Adhésif	Aufkleber	Adhesivo	
9	6009536M1	1	Decal Noise 78	Adhésif	Aufkleber	Adhesivo	
10	6101927M1	1	Decal - Diff Lock	Collant	Aufkleber	Adhesivo	
11	6110668M2	1	Decal Hand Throttle	Decalomanie	Aufkleber	Calcomania	
12	6102194M2	2	Decal - 1000kg Safe Working Load	Adhésif	Aufkleber	Adhesivo	
13	6111257M1	1	Decal - Battery Isolate	Adhésif	Aufkleber	Adhesivo	
14	3516760M1	1	Decal Op Instr Germ	Adhésif	Aufkleber	Adhesivo	
15	1731440M1	1	Decal Warn Maint Ger	Adhésif	Aufkleber	Adhesivo	



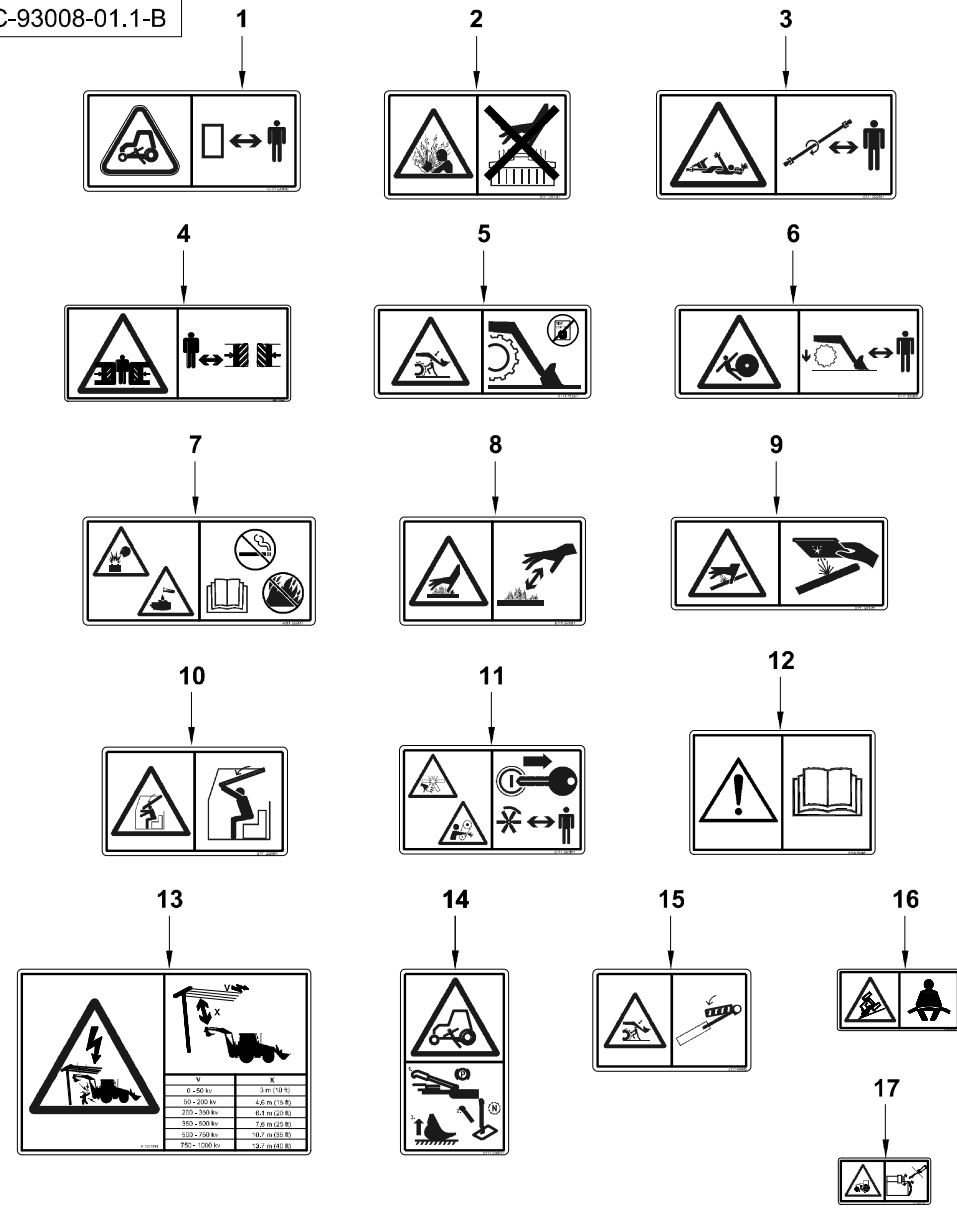
C-93007-03.1-A



<b>Item</b>	<b>Part No.</b>	<b>Qty.</b>	<b>English</b>	<b>French</b>	<b>German</b>	<b>Spanish</b>	<b>Remarks</b>
1	3516906M1	1	Decal Patent	Adhésif	Aufkleber	Adhesivo	
2	3516532M1	1	Decal - Serial Number Border	Adhésif	Aufkleber	Adhesivo	
3	6107927M1	1	Cap Steering Wheel-Terex	Chapeau	Kappe	Sombrerete	



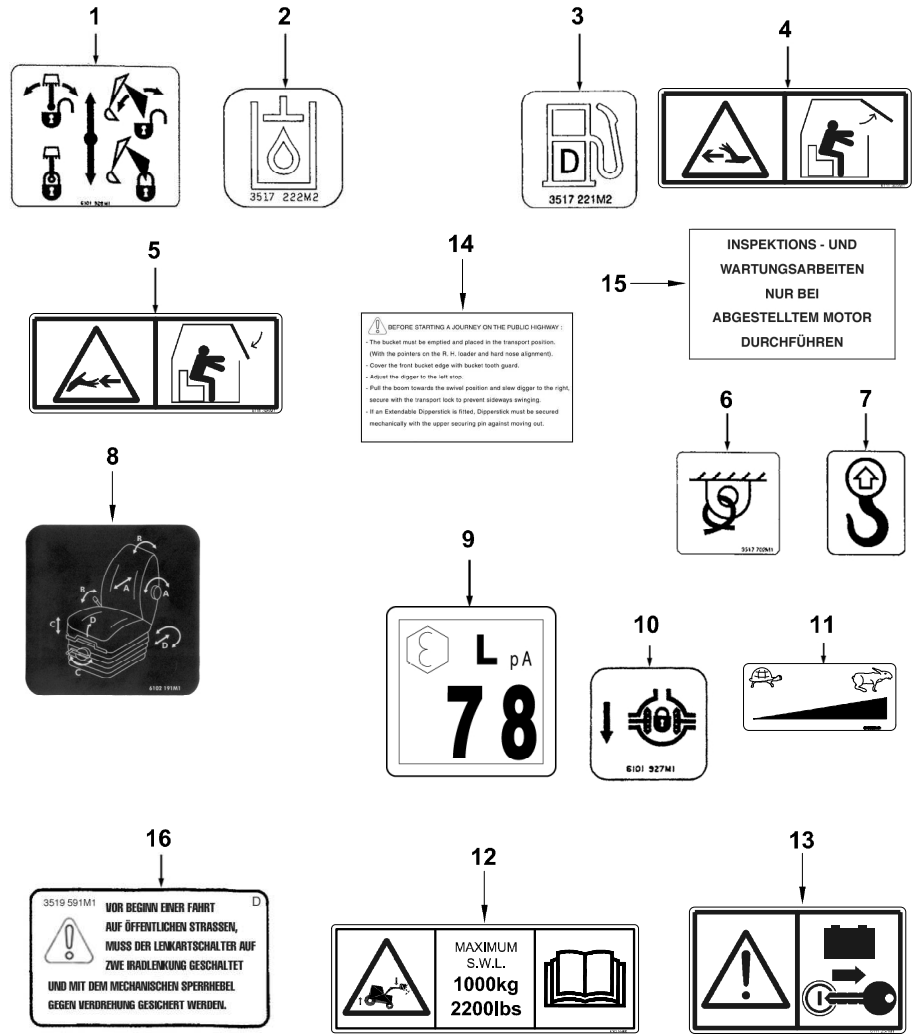
C-93008-01.1-B



Item	Part No.	Qty.	English	French	German	Spanish	Remarks
1	6101949M2	4	Decal Stay A Safe Distance	Adhésif	Aufkleber	Adhesivo	
2	6111261M1	1	Decal - Radiator (Warning)	Adhésif	Aufkleber	Adhesivo	
3	6111262M1	2	Decal - Warning (Rotating Parts)	Adhésif	Aufkleber	Adhesivo	
4	6102056M2	2	Decal - Warning (Avoid Crushing)	Adhésif	Aufkleber	Adhesivo	
5	6111253M2	2	Decal - Avoid Crush	Adhésif	Aufkleber	Adhesivo	
6	6111358M1	2	Decal - Avoid Crush	Adhésif	Aufkleber	Adhesivo	
7	6111255M1	1	Decal - Battery	Adhésif	Aufkleber	Adhesivo	
8	6111259M1	1	Decal - Exhaust (Warning)	Adhésif	Aufkleber	Adhesivo	
9	6111361M1	2	Decal - Injection Skin	Adhésif	Aufkleber	Adhesivo	
10	6111258M1	1	Decal- Support Glass	Adhésif	Aufkleber	Adhesivo	
11	6111260M1	1	Decal- Fan (Warning)	Adhésif	Aufkleber	Adhesivo	
12	6108692M1	1	Decal - Operators Instruction Book	Adhésif	Aufkleber	Adhesivo	
13	6112013M1	1	Decal Electrocutation Hazard ISO	Adhésif	Aufkleber	Adhesivo	
14	6111256M1	1	Decal - Select Neutral	Adhésif	Aufkleber	Adhesivo	
15	6101950M3	2	Decal - Warning (Safety Strut)	Adhésif	Aufkleber	Adhesivo	
16	6101952M3	1	Decal-Avoid Crushing	Adhésif	Aufkleber	Adhesivo	
17	6101951M3	1	Decal - Warning (Start Engine)	Adhésif	Aufkleber	Adhesivo	



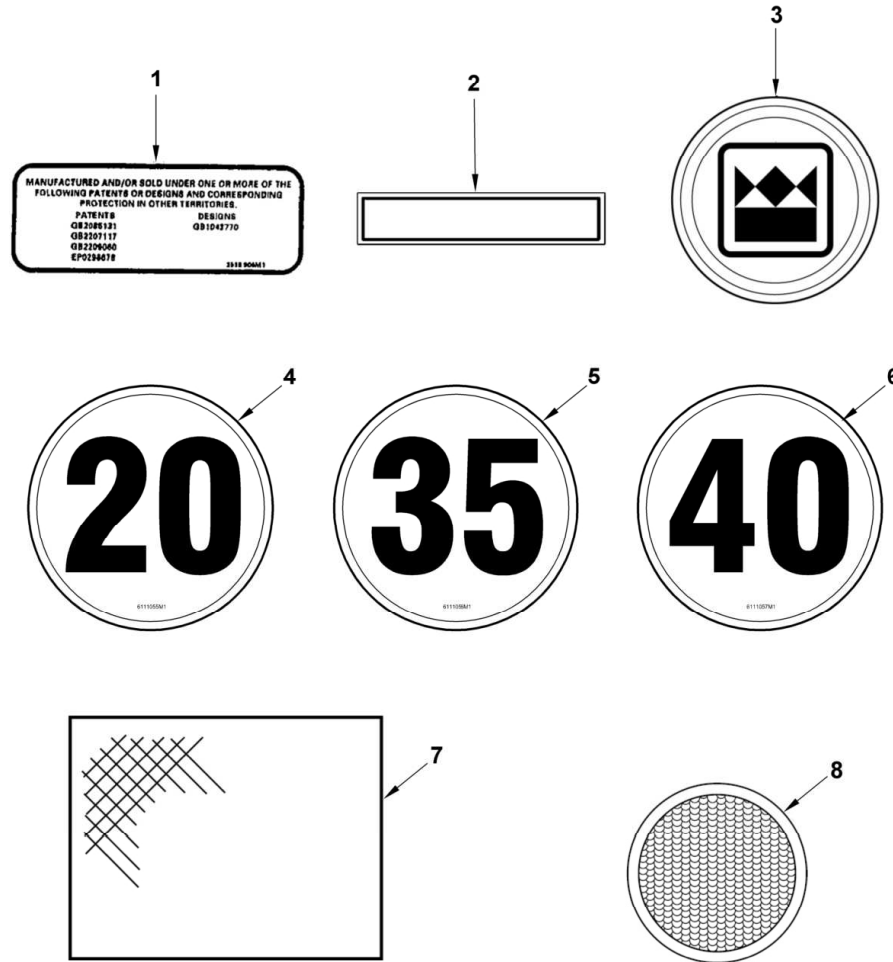
C-93008-02.1-E



Item	Part No.	Qty.	English	French	German	Spanish	Remarks
1	6101928M1	1	Decal-Transport Lock	Adhésif	Aufkleber	Adhesivo	
2	3517222M3	1	Decal - Hydraulic Oil	Adhésif	Aufkleber	Adhesivo	
3	3517221M3	1	Decal - Diesel Fuel	Adhésif	Aufkleber	Adhesivo	
4	6111305M1	1	Decal - Push Window To Open	Adhésif	Aufkleber	Adhesivo	
5	6111306M1	1	Decal - Pull Window To Close	Adhésif	Aufkleber	Adhesivo	
6	3517702M1	4	Decal - Tie Down	Adhésif	Aufkleber	Adhesivo	
7	3517703M1	4	Decal - Lifting	Adhésif	Aufkleber	Adhesivo	
8	6102191M1	1	Decal-Seat Adjustment	Adhésif	Aufkleber	Adhesivo	
9	6009536M1	1	Decal Noise 78	Adhésif	Aufkleber	Adhesivo	
10	6101927M1	1	Decal - Diff Lock	Collant	Aufkleber	Adhesivo	
11	6110668M2	1	Decal Hand Throttle	Decalomanie	Aufkleber	Calcomania	
12	6102194M2	2	Decal - 1000kg Safe Working Load	Adhésif	Aufkleber	Adhesivo	
13	6111257M1	1	Decal - Battery Isolate	Adhésif	Aufkleber	Adhesivo	
14	3516760M1	1	Decal Op Instr Germ	Adhésif	Aufkleber	Adhesivo	
15	1731440M1	1	Decal Warn Maint Ger	Adhésif	Aufkleber	Adhesivo	
16	3519591M1	1	Decal - Engage 2ws	Adhésif	Aufkleber	Adhesivo	



C-93008-03.1-B

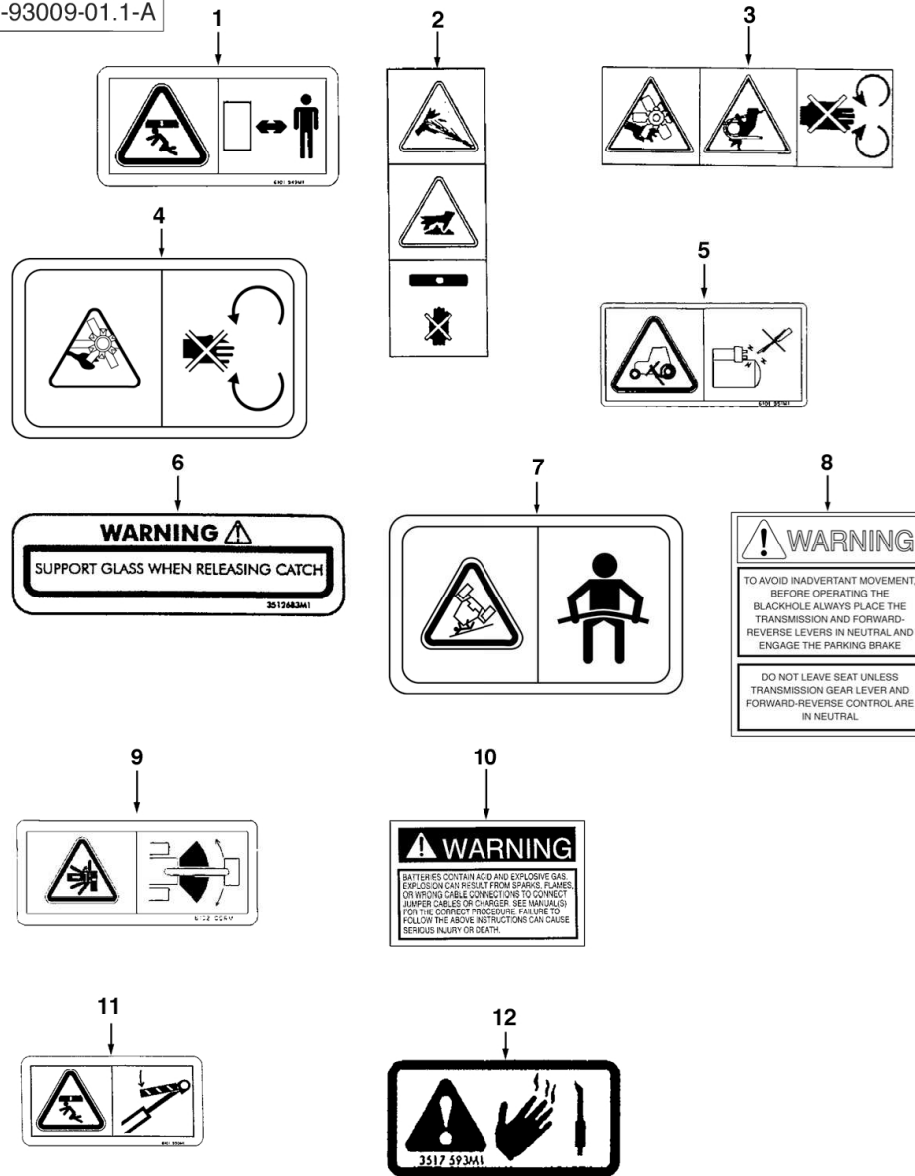




Item	Part No.	Qty.	English	French	German	Spanish	Remarks
1	3516906M1	1	Decal Patent	Adhésif	Aufkleber	Adhesivo	
2	3516532M1	1	Decal - Serial Number Border	Adhésif	Aufkleber	Adhesivo	
3	6107927M1	1	Cap Steering Wheel-Terex	Chapeau	Kappe	Sombreroete	
4	6111055M1	3	Speed Decal - 20 Kph	Adhésif	Aufkleber	Calcomanía Velocidad	
5	6111056M1	3	Speed Decal - 35 Kph	Adhésif	Aufkleber	Calcomanía Velocidad	
6	6111057M1	3	Speed Decal - 40 Kph	Adhésif	Aufkleber	Calcomanía Velocidad	
7	1470972M1	1	Pad Anti Slip	Plaque Antidérapante	Zwischenlage	Cinta Antideslizante	
8	1462768M1	6	Re•ector	Catadioptré	Rückstrahler	Re•ector	



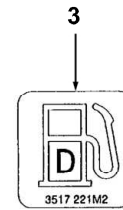
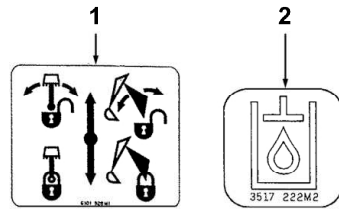
C-93009-01.1-A



Item	Part No.	Qty.	English	French	German	Spanish	Remarks
1	6101949M1	4	Decal-Stay A Safe Distance - Nla	Adhésif	Aufkleber	Adhesivo	
2	6010161M2	1	Decal, Warning - Radiator	Adhésif	Aufkleber	Adhesivo	
3	6010160M2	2	Decal - Fan	Adhésif	Aufkleber	Adhesivo	
4	6010164M1	2	Decal, Warning - Engine Cover	Adhésif	Aufkleber	Adhesivo	
5	6101951M2	1	Decal-Engine Start	Adhésif	Adhésif	Adhesivo	
6	3517233M1	1	Decal Wrng Glass-Dutch	Adhésif	Aufkleber	Adhesivo	
7	6101952M2	1	Decal-Avoid Crushing	Adhésif	Aufkleber	Adhesivo	
8	6102188M1	1	Decal - Engage Neutral (Dutch)	Adhésif	Aufkleber	Adhesivo	
9	6102056M1	2	Decal-Avoid Crushing	Adhésif	Aufkleber	Adhesivo	
10	229948A1	1	Decal - Battery Warning Dutch	Adhésif	Aufkleber	Adhesivo	
11	6101950M2	1	Decal-Secure Lift Cyl.	Adhésif	Aufkleber	Adhesivo	
12	3517593M1	2	Decal Exhaust Warning	Adhésif	Aufkleber	Adhesivo	

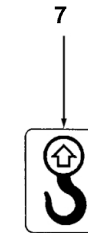
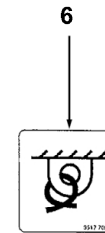


C-93009-02.1-D



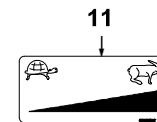
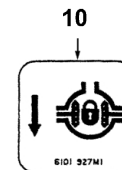
4  
 PUSH TO OPEN  
 Poussez pour ouvrir  
 Zum Öffnen bitte drücken  
 Spingere per aprire  
 Pulsar para abrir  
 Empurrar para fora para abrir  
 Åben ved at skubbe ud  
 Drukken om te openen  
 3511 48742

5  
 PULL DOWN TO CLOSE  
 Tirez vers le bas pour fermer  
 Zum Schließen bitte herunter ziehen  
 Tirare verso il basso per chiudere  
 Apretar para cerrar  
 Puxar para baixo para fechar  
 Luk ved at trække ned  
 Trekken om te sluiten  
 3511 48842




8  
 SEAT ADJUSTMENT  
 BACKREST  
 HEADREST  
 SLIDE LATCH  
 TO REVERSE SEAT, SLIDE BACK FULLY AND TURN  
 3511 48942

9  
 L pA  
 78  
 3511 49042



12  

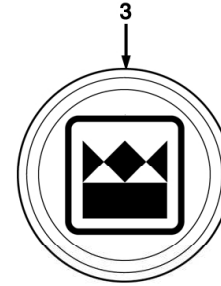
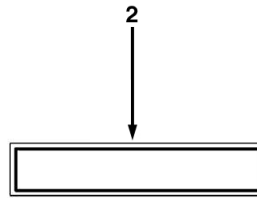
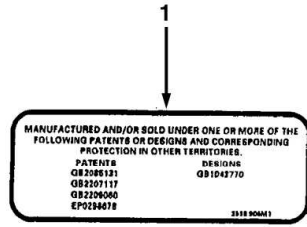
 MAXIMUM  
 S.W.L  
 1000 kg  
 2200lbs  


13  

 SWITCH OFF  
 BATTERY ISOLATOR  
 BEFORE LEAVING  
 MACHINE  
 UNATTENDED

Item	Part No.	Qty.	English	French	German	Spanish	Remarks
1	6101928M1	1	Decal-Transport Lock	Adhésif	Aufkleber	Adhesivo	
2	3517222M3	1	Decal - Hydraulic Oil	Adhésif	Aufkleber	Adhesivo	
3	3517221M3	1	Decal - Diesel Fuel	Adhésif	Aufkleber	Adhesivo	
4	3511487M2	1	Decal Push Out Window	Adhésif	Aufkleber	Adhesivo	
5	3511488M2	1	Decal - Pull Down To Close	Adhésif	Aufkleber	Adhesivo	
6	3517702M1	4	Decal - Tie Down	Adhésif	Aufkleber	Adhesivo	
7	3517703M1	4	Decal - Lifting	Adhésif	Aufkleber	Adhesivo	
8	6102191M1	1	Decal-Seat Adjustment	Adhésif	Aufkleber	Adhesivo	
9	6009536M1	1	Decal Noise 78	Adhésif	Aufkleber	Adhesivo	
10	6101927M1	1	Decal - Diff Lock	Collant	Aufkleber	Adhesivo	
11	6110668M2	1	Decal Hand Throttle	Decalomanie	Aufkleber	Calcomania	
12	6102194M1	2	Decal - 1000kg Safe Working Load	Adhésif	Aufkleber	Adhesivo	
13	6108501M1	1	Decal Battery Isolator(Dutch)	Adhésif	Aufkleber	Adhesivo	



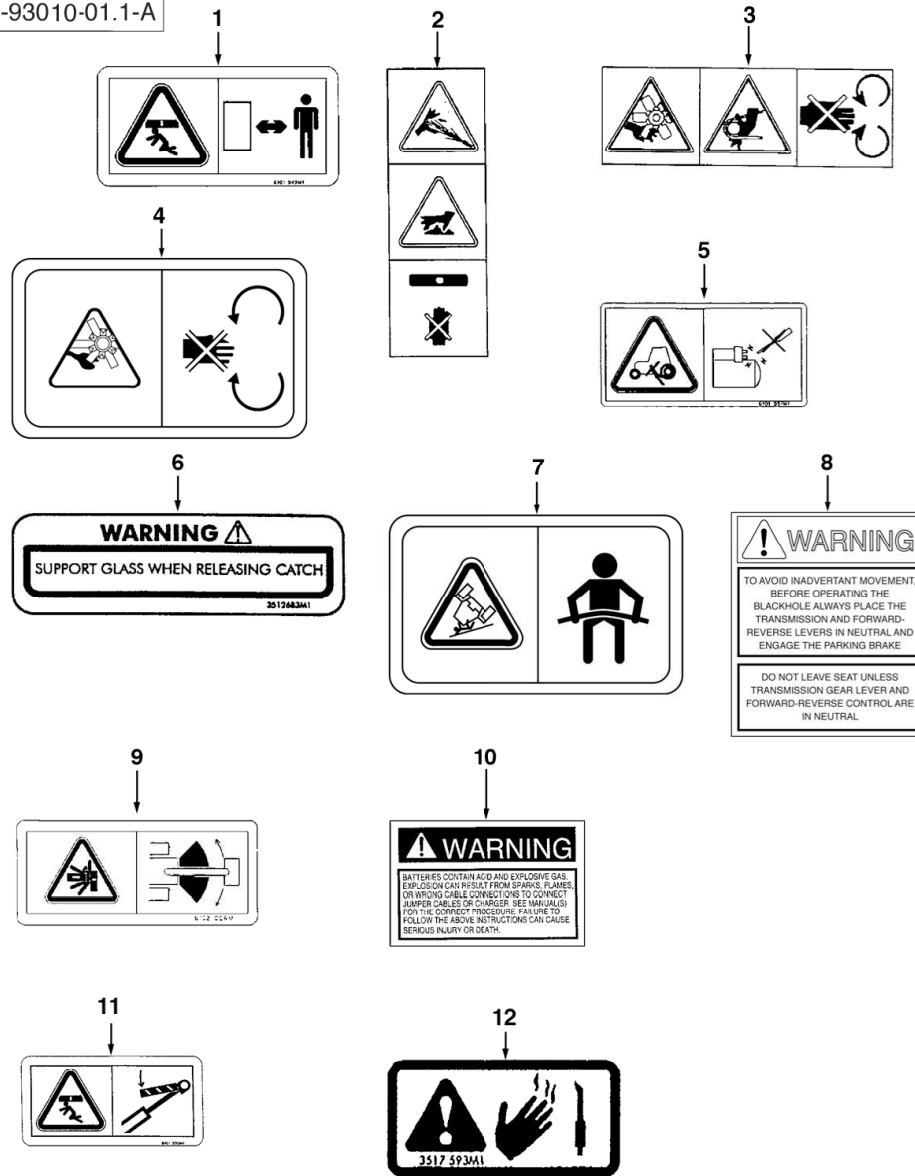
C-93009-03.1-A



<b>Item</b>	<b>Part No.</b>	<b>Qty.</b>	<b>English</b>	<b>French</b>	<b>German</b>	<b>Spanish</b>	<b>Remarks</b>
1	3516906M1	1	Decal Patent	Adhésif	Aufkleber	Adhesivo	
2	3516532M1	1	Decal - Serial Number Border	Adhésif	Aufkleber	Adhesivo	
3	6107927M1	1	Cap Steering Wheel-Terex	Chapeau	Kappe	Sombrerete	



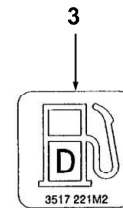
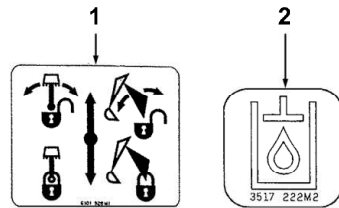
C-93010-01.1-A





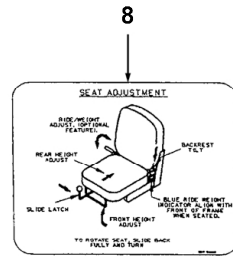
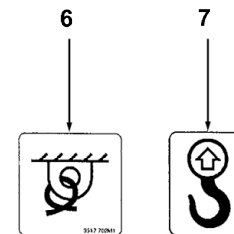
Item	Part No.	Qty.	English	French	German	Spanish	Remarks
1	6101949M1	4	Decal-Stay A Safe Distance - Nla	Adhésif	Aufkleber	Adhesivo	
2	6010161M2	1	Decal, Warning - Radiator	Adhésif	Aufkleber	Adhesivo	
3	6010160M2	2	Decal - Fan	Adhésif	Aufkleber	Adhesivo	
4	6010164M1	2	Decal, Warning - Engine Cover	Adhésif	Aufkleber	Adhesivo	
5	6101951M2	1	Decal-Engine Start	Adhésif	Adhésif	Adhesivo	
6	3517234M1	1	Decal Wrng Glass-Danis	Adhésif	Aufkleber	Adhesivo	
7	6101952M2	1	Decal-Avoid Crushing	Adhésif	Aufkleber	Adhesivo	
8	6102189M1	1	Decal - Engage Neutral (Danish)	Adhésif	Aufkleber	Adhesivo	
9	6102056M1	2	Decal-Avoid Crushing	Adhésif	Aufkleber	Adhesivo	
10	321-6754	1	Decal - Battery	Adhésif	Aufkleber	Adhesivo	
11	6101950M2	1	Decal-Secure Lift Cyl.	Adhésif	Aufkleber	Adhesivo	
12	3517593M1	2	Decal Exhaust Warning	Adhésif	Aufkleber	Adhesivo	

C-93010-02.1-D

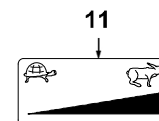
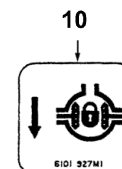


4  
 PUSH TO OPEN  
 PUSSEZ POUR OUVRIR  
 ZUM ÖFFNEN BITTE DRÜCKEN  
 SPINGERE PER APRIRE  
 PULSAR PARA ABRIR  
 EMPURRAR PARA FORA PARA ABRIR  
 ÅBEN VED AT SKUBBE UD  
 DRUKKEN OM TE OPENEN  
3511 48742


5  
 PULL DOWN TO CLOSE  
 TIREZ VERS LE BAS POUR FERMER  
 ZUM SCHLIESSEN BITTE HERUNTER ZIEHEN  
 TIRARE VERSO IL BASSO PER CHIUDERE  
 APRETAR PARA CERRAR  
 PUXAR PARA BAIXO PARA FECHAR  
 LUK VED AT TRÆKKE NED  
 TREKKEN OM TE SLUITEN  
3511 48842




9  
 L pA  
**78**



12  

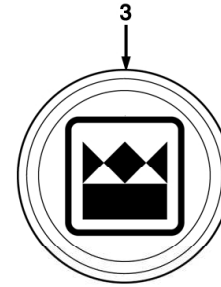
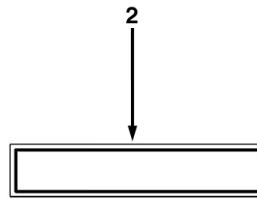
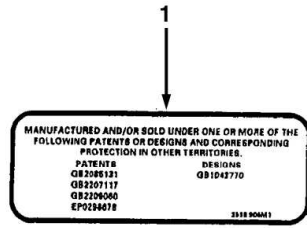
**MAXIMUM S.W.L**  
**1000 kg**  
**2200lbs**


13  

**SWITCH OFF BATTERY ISOLATOR BEFORE LEAVING MACHINE UNATTENDED**

Item	Part No.	Qty.	English	French	German	Spanish	Remarks
1	6101928M1	1	Decal-Transport Lock	Adhésif	Aufkleber	Adhesivo	
2	3517222M3	1	Decal - Hydraulic Oil	Adhésif	Aufkleber	Adhesivo	
3	3517221M3	1	Decal - Diesel Fuel	Adhésif	Aufkleber	Adhesivo	
4	3511487M2	1	Decal Push Out Window	Adhésif	Aufkleber	Adhesivo	
5	3511488M2	1	Decal - Pull Down To Close	Adhésif	Aufkleber	Adhesivo	
6	3517702M1	4	Decal - Tie Down	Adhésif	Aufkleber	Adhesivo	
7	3517703M1	4	Decal - Lifting	Adhésif	Aufkleber	Adhesivo	
8	6102191M1	1	Decal-Seat Adjustment	Adhésif	Aufkleber	Adhesivo	
9	6009536M1	1	Decal Noise 78	Adhésif	Aufkleber	Adhesivo	
10	6101927M1	1	Decal - Diff Lock	Collant	Aufkleber	Adhesivo	
11	6110668M2	1	Decal Hand Throttle	Decalomanie	Aufkleber	Calcomania	
12	6102194M1	2	Decal - 1000kg Safe Working Load	Adhésif	Aufkleber	Adhesivo	
13	6108502M1	1	Decal Battery Isolator(Danish)	Adhésif	Aufkleber	Adhesivo	



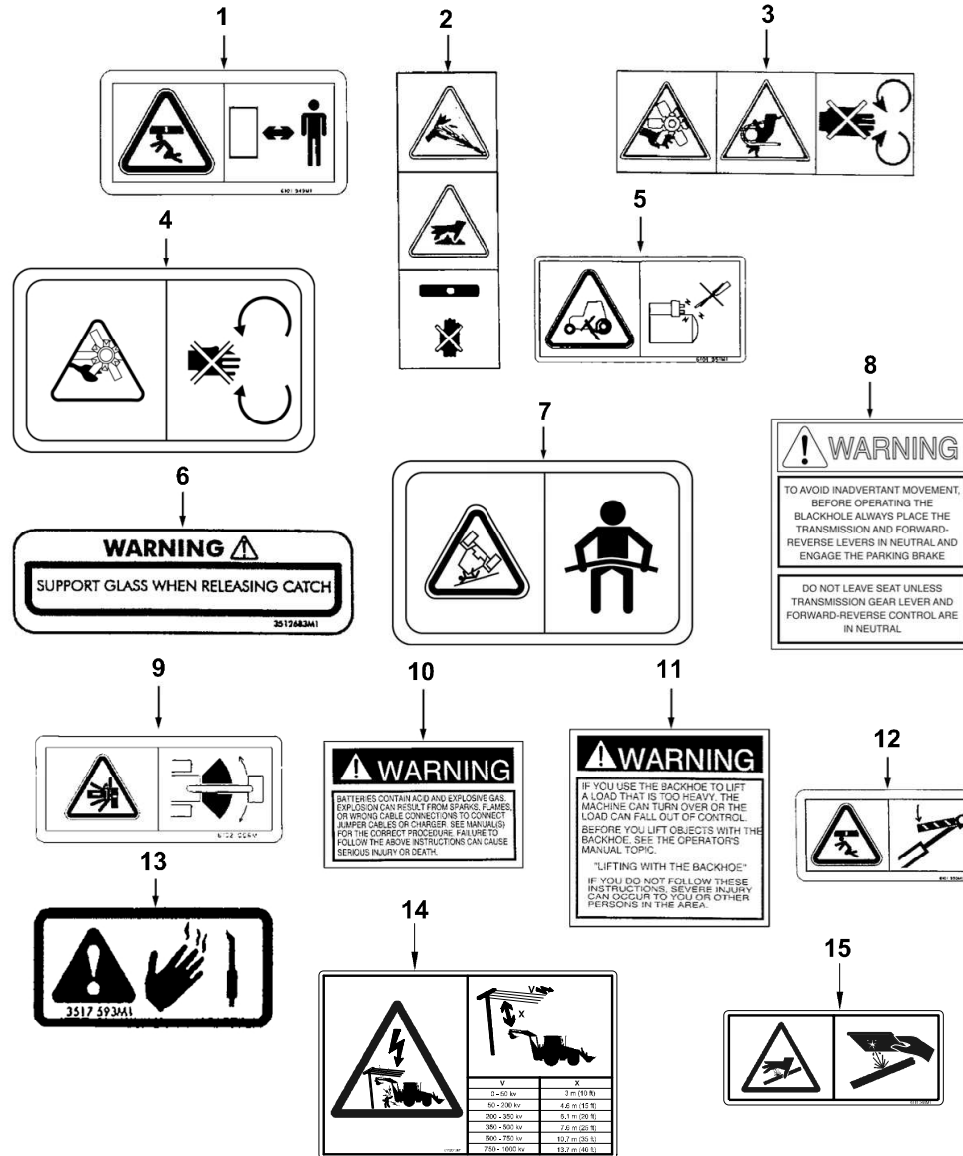
C-93010-03.1-A



<b>Item</b>	<b>Part No.</b>	<b>Qty.</b>	<b>English</b>	<b>French</b>	<b>German</b>	<b>Spanish</b>	<b>Remarks</b>
1	3516906M1	1	Decal Patent	Adhésif	Aufkleber	Adhesivo	
2	3516532M1	1	Decal - Serial Number Border	Adhésif	Aufkleber	Adhesivo	
3	6107927M1	1	Cap Steering Wheel-Terex	Chapeau	Kappe	Sombrerete	



C-93012-01.1-B



Item	Part No.	Qty.	English	French	German	Spanish	Remarks
1	6101949M1	4	Decal-Stay A Safe Distance - Nla	Adhésif	Aufkleber	Adhesivo	
2	6010161M2	1	Decal, Warning - Radiator	Adhésif	Aufkleber	Adhesivo	
3	6010160M2	2	Decal - Fan	Adhésif	Aufkleber	Adhesivo	
4	6010164M1	2	Decal, Warning - Engine Cover	Adhésif	Aufkleber	Adhesivo	
5	6101951M2	1	Decal-Engine Start	Adhésif	Adhésif	Adhesivo	
6	3512683M1	1	Decal Wrng Glass-Eng	Adhésif	Aufkleber	Adhesivo	
7	6101952M2	1	Decal-Avoid Crushing	Adhésif	Aufkleber	Adhesivo	
8	6102184M1	1	Decal-Engage Neutral-Englishh	Adhésif	Aufkleber	Adhesivo	
9	6102056M1	2	Decal-Avoid Crushing	Adhésif	Aufkleber	Adhesivo	
10	321-6714	1	Decal, Warning - Battery	Adhésif	Aufkleber	Adhesivo	
11	321-6046	1	Decal-Warning Boom	Adhésif	Aufkleber	Adhesivo	
12	6101950M2	1	Decal-Secure Lift Cyl.	Adhésif	Aufkleber	Adhesivo	
13	3517593M1	2	Decal Exhaust Warning	Adhésif	Aufkleber	Adhesivo	
14	6112013M1	1	Decal Electrocuton Hazard ISO	Adhésif	Aufkleber	Adhesivo	
15	6111361M1	2	Decal - Injection Skin	Adhésif	Aufkleber	Adhesivo	

C-93012-02.1-D

1

2

3

4

5

PUSH TO OPEN  
 POUSSÉZ POUR OUVRIR  
 ZUM ÖFFNEN BITTE DRÜCKEN  
 SPINGERE PER APRIRE  
 PULSAR PARA ABRIR  
 EMPURRAR PARA FORA PARA ABRIR  
 ÅBEN VED AT SKUBBE UD  
 DRUKKEN OM TE OPENEN

6

PULL DOWN TO CLOSE  
 TIREZ VERS LE BAS POUR FERMER  
 ZUM SCHLIESSEN BITTE HERUNTER ZIEHEN  
 TIRARE VERSO IL BASSO PER CHIUDERE  
 APRETAR PARA CERRAR  
 PUXAR PARA BAIXO PARA FECHAR  
 LUK VED AT TRÆKKE NED  
 TREKKEN OM TE SLUITEN

7

8

9

MAINTENANCE SUMMARY		Mantenc.	
ITEM	DESCRIPTION	INTERVAL	REMARKS
1	Check oil level	1500	
2	Check battery electrolyte level	1500	
3	Check battery charge	1500	
4	Check battery terminals	1500	
5	Check battery water level	1500	
6	Check battery acid level	1500	
7	Check battery acid level	1500	
8	Check battery acid level	1500	
9	Check battery acid level	1500	
10	Check battery acid level	1500	
11	Check battery acid level	1500	
12	Check battery acid level	1500	
13	Check battery acid level	1500	
14	Check battery acid level	1500	
15	Check battery acid level	1500	

10

MACHINE LIFTING AND TIE DOWN

11

SEAT ADJUSTMENT

12

MAXIMUM S.W.L  
 1000 kg  
 2200lbs

13

SWITCH OFF BATTERY ISOLATOR BEFORE LEAVING MACHINE UNATTENDED

14

1800rpm MAX

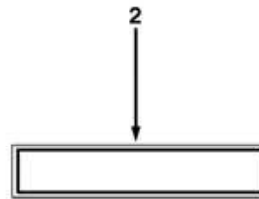
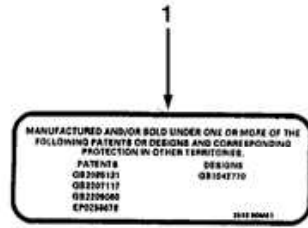
15



Item	Part No.	Qty.	English	French	German	Spanish	Remarks
1	6101928M1	1	Decal-Transport Lock	Adhésif	Aufkleber	Adhesivo	
2	3517222M3	1	Decal - Hydraulic Oil	Adhésif	Aufkleber	Adhesivo	
3	6101927M1	1	Decal - Diff Lock	Collant	Aufkleber	Adhesivo	
4	3517221M3	1	Decal - Diesel Fuel	Adhésif	Aufkleber	Adhesivo	
5	3511487M2	1	Decal Push Out Window	Adhésif	Aufkleber	Adhesivo	
6	3511488M2	1	Decal - Pull Down To Close	Adhésif	Aufkleber	Adhesivo	
7	3517702M1	4	Decal - Tie Down	Adhésif	Aufkleber	Adhesivo	
8	3517703M1	4	Decal - Lifting	Adhésif	Aufkleber	Adhesivo	
9	6110328M1	1	Decal (Maintenance) - Nla	Adhésif	Aufkleber	Adhesivo	
10	6102109M1	1	Decal-Lifting/Tie Down	Adhésif	Aufkleber	Adhesivo	
11	6102191M1	1	Decal-Seat Adjustment	Adhésif	Aufkleber	Adhesivo	
12	6102194M1	2	Decal - 1000kg Safe Working Load	Adhésif	Aufkleber	Adhesivo	
13	6108495M1	1	Decal Battery Isolator (English)	Adhésif	Aufkleber	Adhesivo	
14	6109879M2	1	Decal 1800 Rpm Max	Decalcomanie	Aufkleber	Calcomania	
15	6110668M2	1	Decal Hand Throttle	Decalcomanie	Aufkleber	Calcomania	



C-93012-03.1-A



<b>Item</b>	<b>Part No.</b>	<b>Qty.</b>	<b>English</b>	<b>French</b>	<b>German</b>	<b>Spanish</b>	<b>Remarks</b>
1	3516906M1	1	Decal Patent	Adhésif	Aufkleber	Adhesivo	
2	3516532M1	1	Decal - Serial Number Border	Adhésif	Aufkleber	Adhesivo	
3	6107927M1	1	Cap Steering Wheel-Terex	Chapeau	Kappe	Sombreroete	



C-93014-01.1-B

1

2

3

4

5

6

7

8

9

10

11

12

13

Minimum required clearance:	
Line voltage	Required clearance
0 to 50 kv	10 ft (3.0 m)
55 to 250 kv	15 ft (4.6 m)
250 to 350 kv	20 ft (6.1 m)
350 to 550 kv	25 ft (7.6 m)
550 to 750 kv	30 ft (9.1 m)
750 to 1000 kv	35 ft (10.7 m)

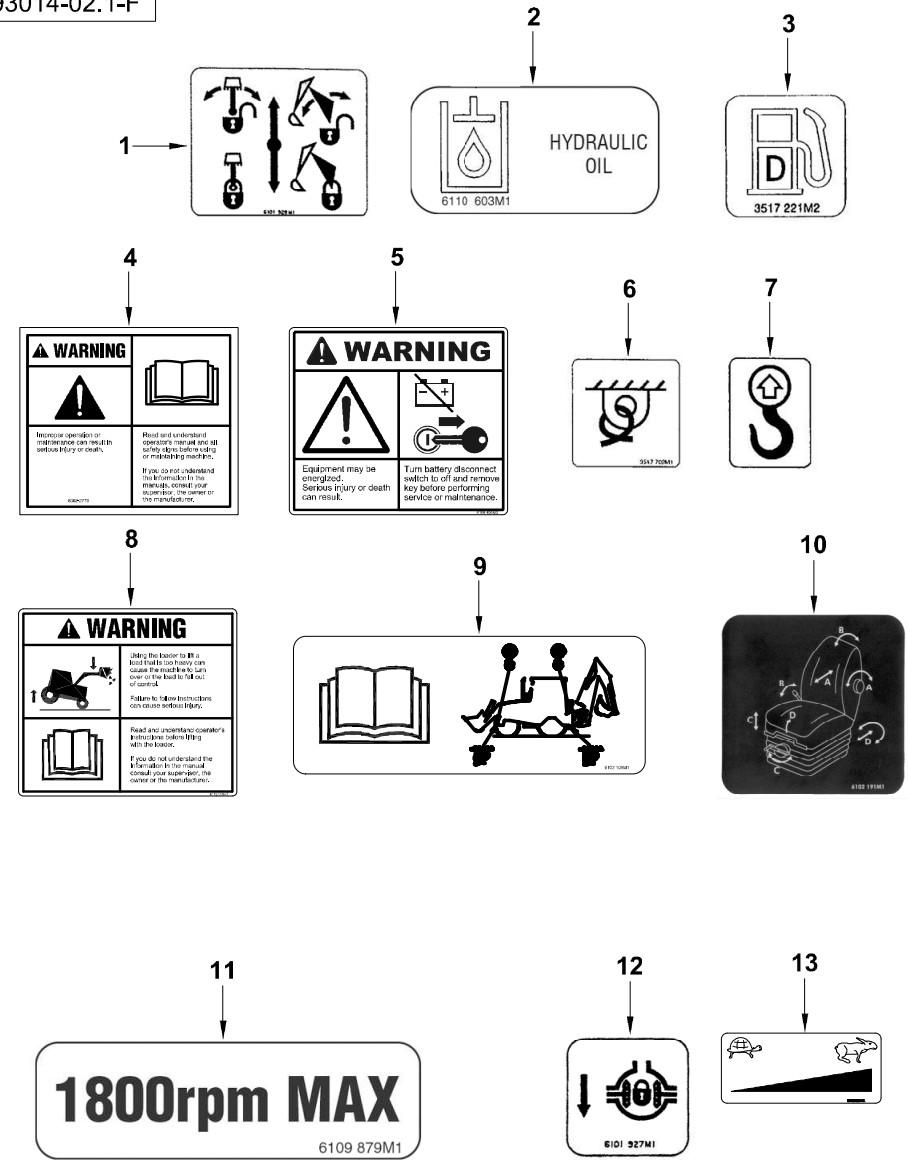
14

15

16

Item	Part No.	Qty.	English	French	German	Spanish	Remarks
1	6010161M3	1	Decal-Warning Radiator	Adhésif	Aufkleber	Adhesivo	
2	6111264M1	1	Decal - Start Engine	Adhésif	Aufkleber	Adhesivo	
3	6010160M3	1	Decal- Fan (Warning)	Adhésif	Aufkleber	Adhesivo	
4	3517593M2	1	Decal - Exhaust Warning	Adhésif	Aufkleber	Adhesivo	
5	6102184M2	1	Decal - Select Neutral	Adhésif	Aufkleber	Adhesivo	
6	6111359M1	2	Decal - Avoid Crush	Adhésif	Aufkleber	Adhesivo	
7	6010164M2	2	Decal- Rotating Parts	Adhésif	Aufkleber	Adhesivo	
8	8002-2793	2	Secure Cylinder Decal(Us)	Decalcolmanie	Abziehbild	Placa	
9	321-6714	1	Decal, Warning - Battery	Adhésif	Aufkleber	Adhesivo	
10	8002-2801	2	High Pressure Fluid Decal(Us)	Decalcolmanie	Abziehbild	Placa	
11	321-6046	1	Decal-Warning Boom	Adhésif	Aufkleber	Adhesivo	
12	6112043M1	2	Decal - Avoid Crushing	Adhésif	Aufkleber	Adhesivo	
13	6111971M1	1	Decal - Electrocution Hazard	Adhésif	Aufkleber	Adhesivo	
14	6111265M1	2	Decal - Warning (Avoid Crushing)	Adhésif	Aufkleber	Adhesivo	
15	6111263M1	4	Decal Stay Safe Distance	Adhésif	Aufkleber	Adhesivo	
16	8002-2800	1	Seat Belt Fastening Decal(Us)	Decalcolmanie	Abziehbild	Placa	

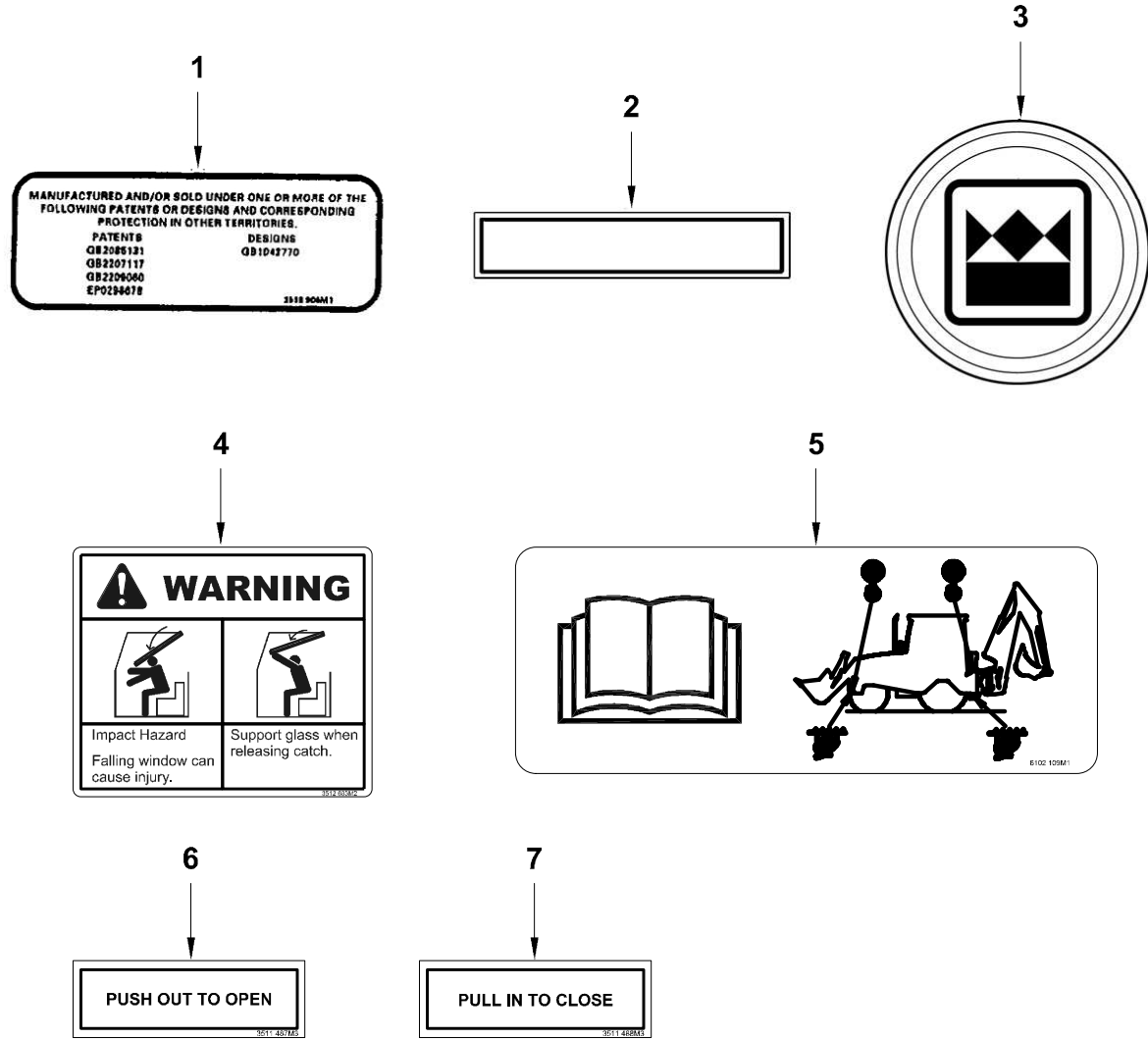
C-93014-02.1-F



Item	Part No.	Qty.	English	French	German	Spanish	Remarks
1	6101928M1	1	Decal-Transport Lock	Adhésif	Aufkleber	Adhesivo	
2	6110603M1	1	Decal - Hydraulic Oil	Adhésif	Aufkleber	Adhesivo	
3	3517221M3	1	Decal - Diesel Fuel	Adhésif	Aufkleber	Adhesivo	
4	8002-2779	1	Decal- Operator Instruction Book	Adhésif	Aufkleber	Adhesivo	
5	6108495M2	1	Decal - Isolate Battery	Adhésif	Aufkleber	Adhesivo	
6	3517702M1	4	Decal - Tie Down	Adhésif	Aufkleber	Adhesivo	
7	3517703M1	4	Decal - Lifting	Adhésif	Aufkleber	Adhesivo	
8	6112014M1	1	Decal Safe Working Load Ansi	Adhésif	Aufkleber	Adhesivo	
9	6102109M2	1	Decal - Lifting & Tie Down	Adhésif	Aufkleber	Adhesivo	
10	6102191M1	1	Decal-Seat Adjustment	Adhésif	Aufkleber	Adhesivo	
11	6109879M2	1	Decal 1800 Rpm Max	Decalcomanie	Aufkleber	Calcomania	
12	6101927M1	1	Decal - Diff Lock	Collant	Aufkleber	Adhesivo	
13	6110668M2	1	Decal Hand Throttle	Decalcomanie	Aufkleber	Calcomania	



C-93014-03.1-B

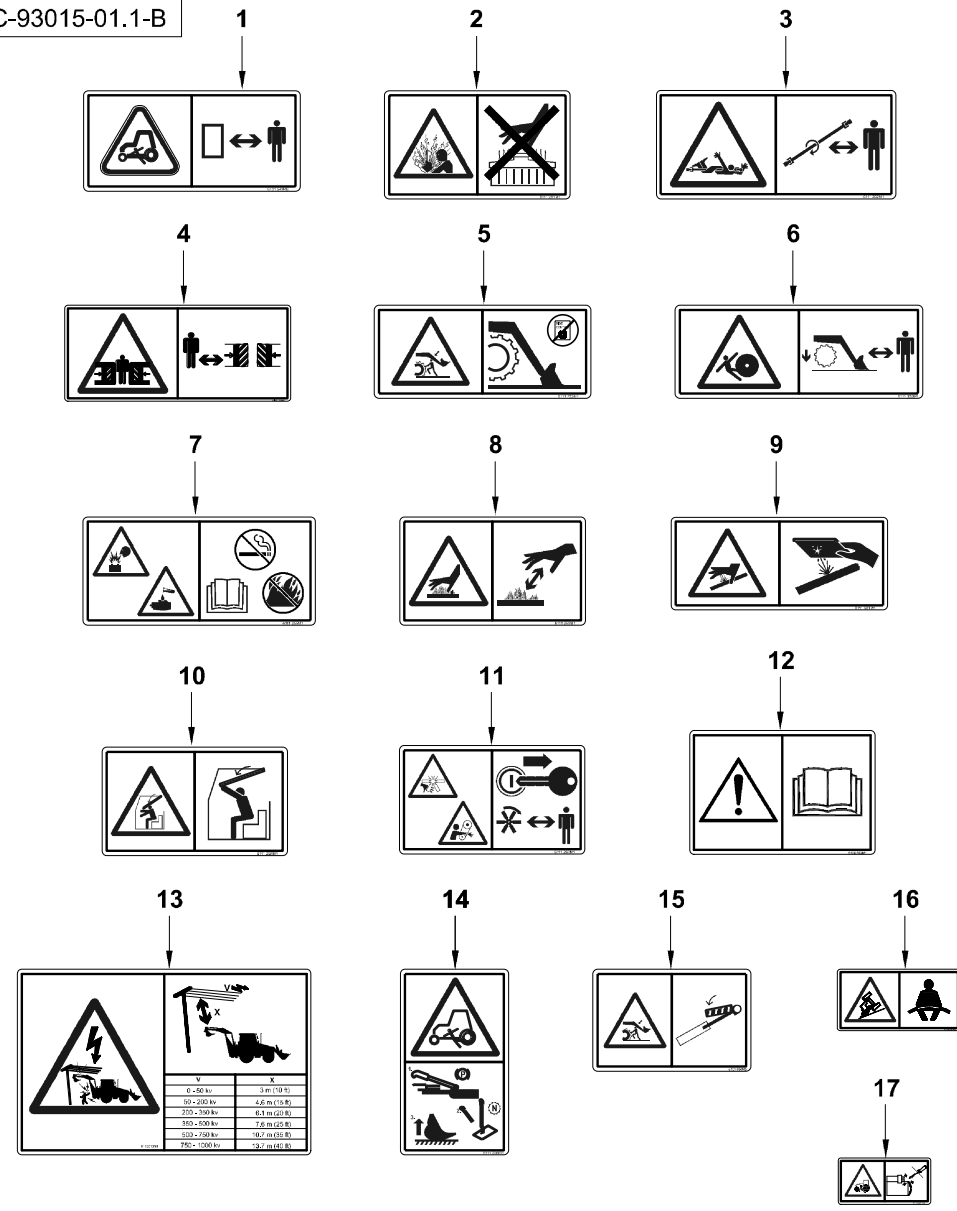




<b>Item</b>	<b>Part No.</b>	<b>Qty.</b>	<b>English</b>	<b>French</b>	<b>German</b>	<b>Spanish</b>	<b>Remarks</b>
1	3516906M1	1	Decal Patent	Adhésif	Aufkleber	Adhesivo	
2	3516532M1	1	Decal - Serial Number Border	Adhésif	Aufkleber	Adhesivo	
3	6107927M1	1	Cap Steering Wheel-Terex	Chapeau	Kappe	Sombrerete	
4	3512683M2	1	Decal - Support Glass	Adhésif	Aufkleber	Adhesivo	
5	6102109M2	1	Decal - Lifting & Tie Down	Adhésif	Aufkleber	Adhesivo	
6	3511487M3	1	Decal - Push Out To Open	Adhésif	Aufkleber	Adhesivo	
7	3511488M3	1	Decal - Pull In To Close	Adhésif	Aufkleber	Adhesivo	

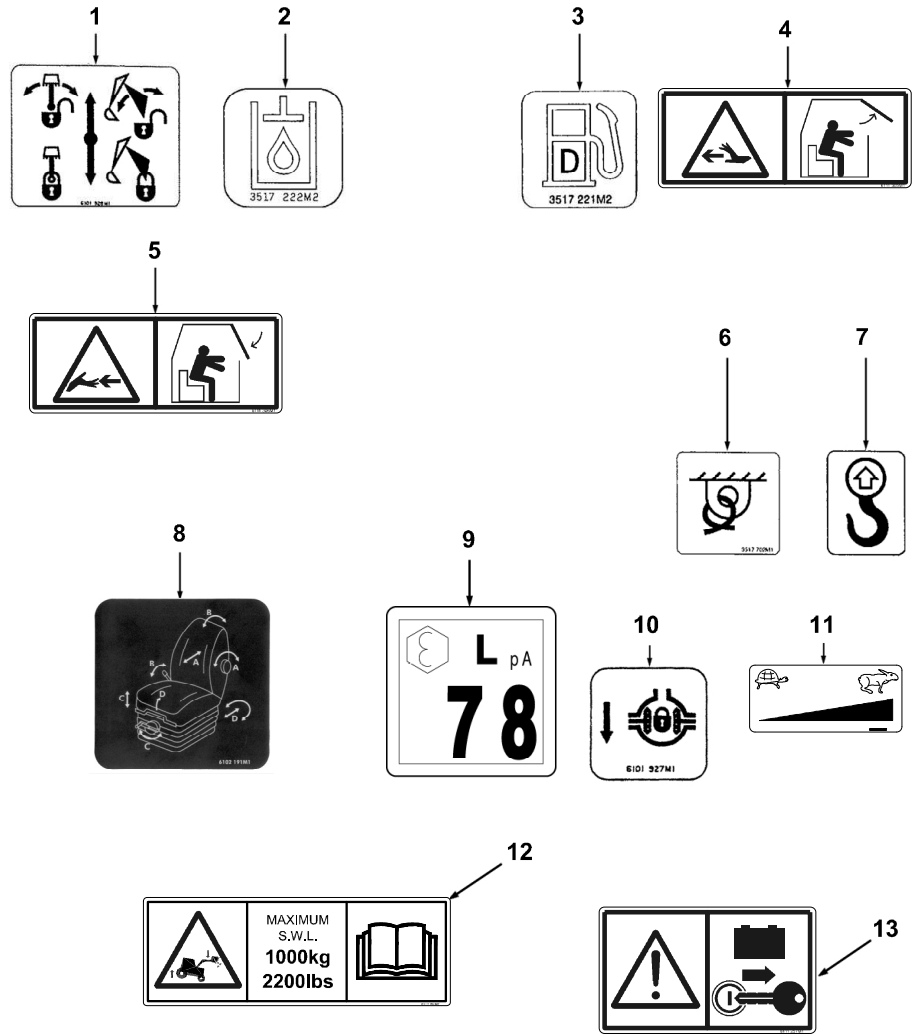


C-93015-01.1-B



Item	Part No.	Qty.	English	French	German	Spanish	Remarks
1	6101949M2	4	Decal Stay A Safe Distance	Adhésif	Aufkleber	Adhesivo	
2	6111261M1	1	Decal - Radiator (Warning)	Adhésif	Aufkleber	Adhesivo	
3	6111262M1	2	Decal - Warning (Rotating Parts)	Adhésif	Aufkleber	Adhesivo	
4	6102056M2	2	Decal - Warning (Avoid Crushing)	Adhésif	Aufkleber	Adhesivo	
5	6111253M2	2	Decal - Avoid Crush	Adhésif	Aufkleber	Adhesivo	
6	6111358M1	2	Decal - Avoid Crush	Adhésif	Aufkleber	Adhesivo	
7	6111255M1	1	Decal - Battery	Adhésif	Aufkleber	Adhesivo	
8	6111259M1	1	Decal - Exhaust (Warning)	Adhésif	Aufkleber	Adhesivo	
9	6111361M1	2	Decal - Injection Skin	Adhésif	Aufkleber	Adhesivo	
10	6111258M1	1	Decal- Support Glass	Adhésif	Aufkleber	Adhesivo	
11	6111260M1	1	Decal- Fan (Warning)	Adhésif	Aufkleber	Adhesivo	
12	6108692M1	1	Decal - Operators Instruction Book	Adhésif	Aufkleber	Adhesivo	
13	6112013M1	1	Decal Electrocutation Hazard ISO	Adhésif	Aufkleber	Adhesivo	
14	6111256M1	1	Decal - Select Neutral	Adhésif	Aufkleber	Adhesivo	
15	6101950M3	2	Decal - Warning (Safety Strut)	Adhésif	Aufkleber	Adhesivo	
16	6101952M3	1	Decal-Avoid Crushing	Adhésif	Aufkleber	Adhesivo	
17	6101951M3	1	Decal - Warning (Start Engine)	Adhésif	Aufkleber	Adhesivo	

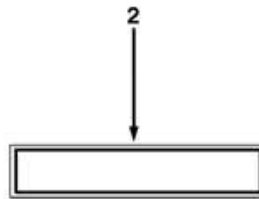
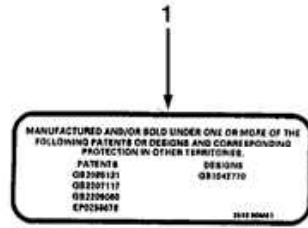
C-93015-02.1-E



Item	Part No.	Qty.	English	French	German	Spanish	Remarks
1	6101928M1	1	Decal-Transport Lock	Adhésif	Aufkleber	Adhesivo	
2	3517222M3	1	Decal - Hydraulic Oil	Adhésif	Aufkleber	Adhesivo	
3	3517221M3	1	Decal - Diesel Fuel	Adhésif	Aufkleber	Adhesivo	
4	6111305M1	1	Decal - Push Window To Open	Adhésif	Aufkleber	Adhesivo	
5	6111306M1	1	Decal - Pull Window To Close	Adhésif	Aufkleber	Adhesivo	
6	3517702M1	4	Decal - Tie Down	Adhésif	Aufkleber	Adhesivo	
7	3517703M1	4	Decal - Lifting	Adhésif	Aufkleber	Adhesivo	
8	6102191M1	1	Decal-Seat Adjustment	Adhésif	Aufkleber	Adhesivo	
9	6009536M1	1	Decal Noise 78	Adhésif	Aufkleber	Adhesivo	
10	6101927M1	1	Decal - Diff Lock	Collant	Aufkleber	Adhesivo	
11	6110668M2	1	Decal Hand Throttle	Decalomanie	Aufkleber	Calcomania	
12	6102194M2	2	Decal - 1000kg Safe Working Load	Adhésif	Aufkleber	Adhesivo	
13	6111257M1	1	Decal - Battery Isolate	Adhésif	Aufkleber	Adhesivo	

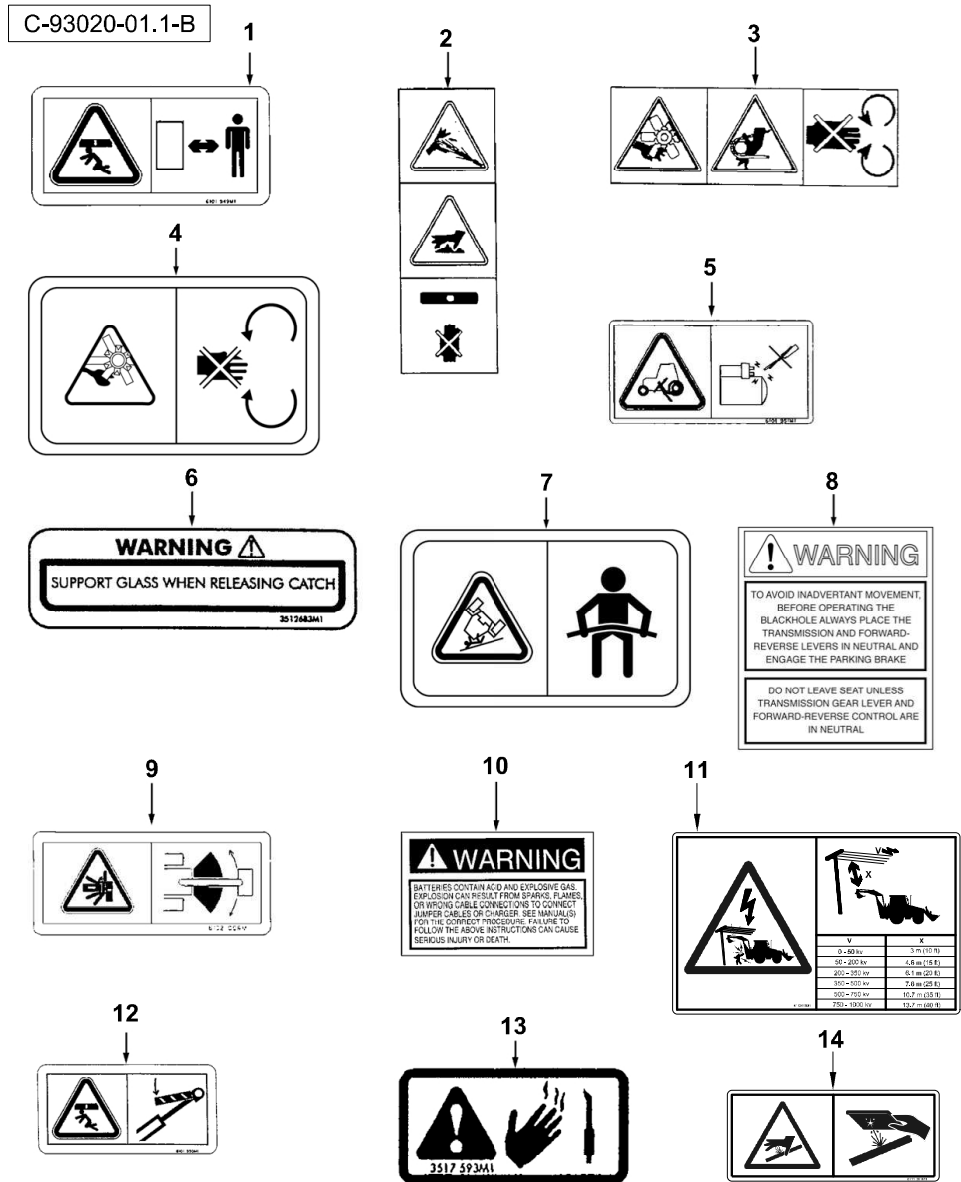


C-93015-03.1-A



<b>Item</b>	<b>Part No.</b>	<b>Qty.</b>	<b>English</b>	<b>French</b>	<b>German</b>	<b>Spanish</b>	<b>Remarks</b>
1	3516906M1	1	Decal Patent	Adhésif	Aufkleber	Adhesivo	
2	3516532M1	1	Decal - Serial Number Border	Adhésif	Aufkleber	Adhesivo	
3	6107927M1	1	Cap Steering Wheel-Terex	Chapeau	Kappe	Sombreroete	



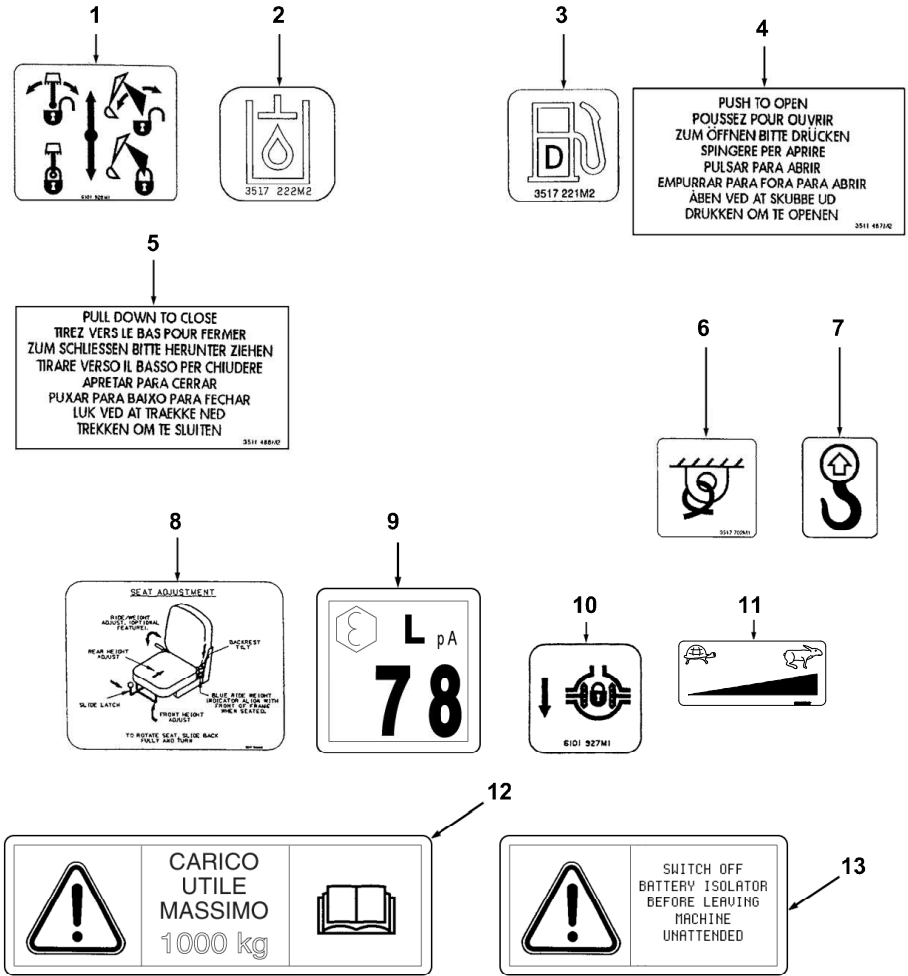




Item	Part No.	Qty.	English	French	German	Spanish	Remarks
1	6101949M1	4	Decal-Stay A Safe Distance - Nla	Adhésif	Aufkleber	Adhesivo	
2	6010161M2	1	Decal, Warning - Radiator	Adhésif	Aufkleber	Adhesivo	
3	6010160M2	2	Decal - Fan	Adhésif	Aufkleber	Adhesivo	
4	6010164M1	2	Decal, Warning - Engine Cover	Adhésif	Aufkleber	Adhesivo	
5	6101951M2	1	Decal-Engine Start	Adhésif	Adhésif	Adhesivo	
6	3512687M1	1	Decal Wrng Glass-Ity	Adhésif	Aufkleber	Adhesivo	
7	6101952M2	1	Decal-Avoid Crushing	Adhésif	Aufkleber	Adhesivo	
8	6102190M1	1	Decal - Engage Neutral (Italian)	Adhésif	Aufkleber	Adhesivo	
9	6102056M1	2	Decal-Avoid Crushing	Adhésif	Aufkleber	Adhesivo	
10	321-6750	1	Decal - Battery	Adhésif	Aufkleber	Adhesivo	
11	6112013M1	1	Decal Electrocuton Hazard ISO	Adhésif	Aufkleber	Adhesivo	
12	6101950M2	1	Decal-Secure Lift Cyl.	Adhésif	Aufkleber	Adhesivo	
13	3517593M1	2	Decal Exhaust Warning	Adhésif	Aufkleber	Adhesivo	
14	6111361M1	2	Decal - Injection Skin	Adhésif	Aufkleber	Adhesivo	



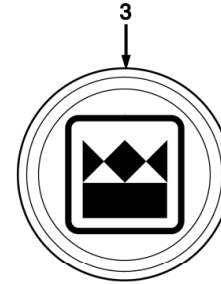
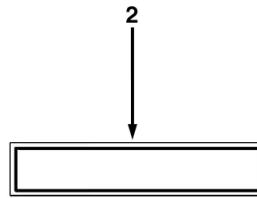
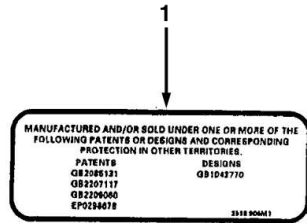
C-93020-02.1-D



Item	Part No.	Qty.	English	French	German	Spanish	Remarks
1	6101928M1	1	Decal-Transport Lock	Adhésif	Aufkleber	Adhesivo	
2	3517222M3	1	Decal - Hydraulic Oil	Adhésif	Aufkleber	Adhesivo	
3	3517221M3	1	Decal - Diesel Fuel	Adhésif	Aufkleber	Adhesivo	
4	3511487M2	1	Decal Push Out Window	Adhésif	Aufkleber	Adhesivo	
5	3511488M2	1	Decal - Pull Down To Close	Adhésif	Aufkleber	Adhesivo	
6	3517702M1	4	Decal - Tie Down	Adhésif	Aufkleber	Adhesivo	
7	3517703M1	4	Decal - Lifting	Adhésif	Aufkleber	Adhesivo	
8	6102191M1	1	Decal-Seat Adjustment	Adhésif	Aufkleber	Adhesivo	
9	6009536M1	1	Decal Noise 78	Adhésif	Aufkleber	Adhesivo	
10	6101927M1	1	Decal - Diff Lock	Collant	Aufkleber	Adhesivo	
11	6110668M2	1	Decal Hand Throttle	Decalcomanie	Aufkleber	Calcomania	
12	6110494M1	2	Decal-1000kg Safe Working Load - Italian	Adhésif	Aufkleber	Adhesivo	
13	6108497M1	1	Decal Battery Isolator(Italian)	Adhésif	Aufkleber	Adhesivo	

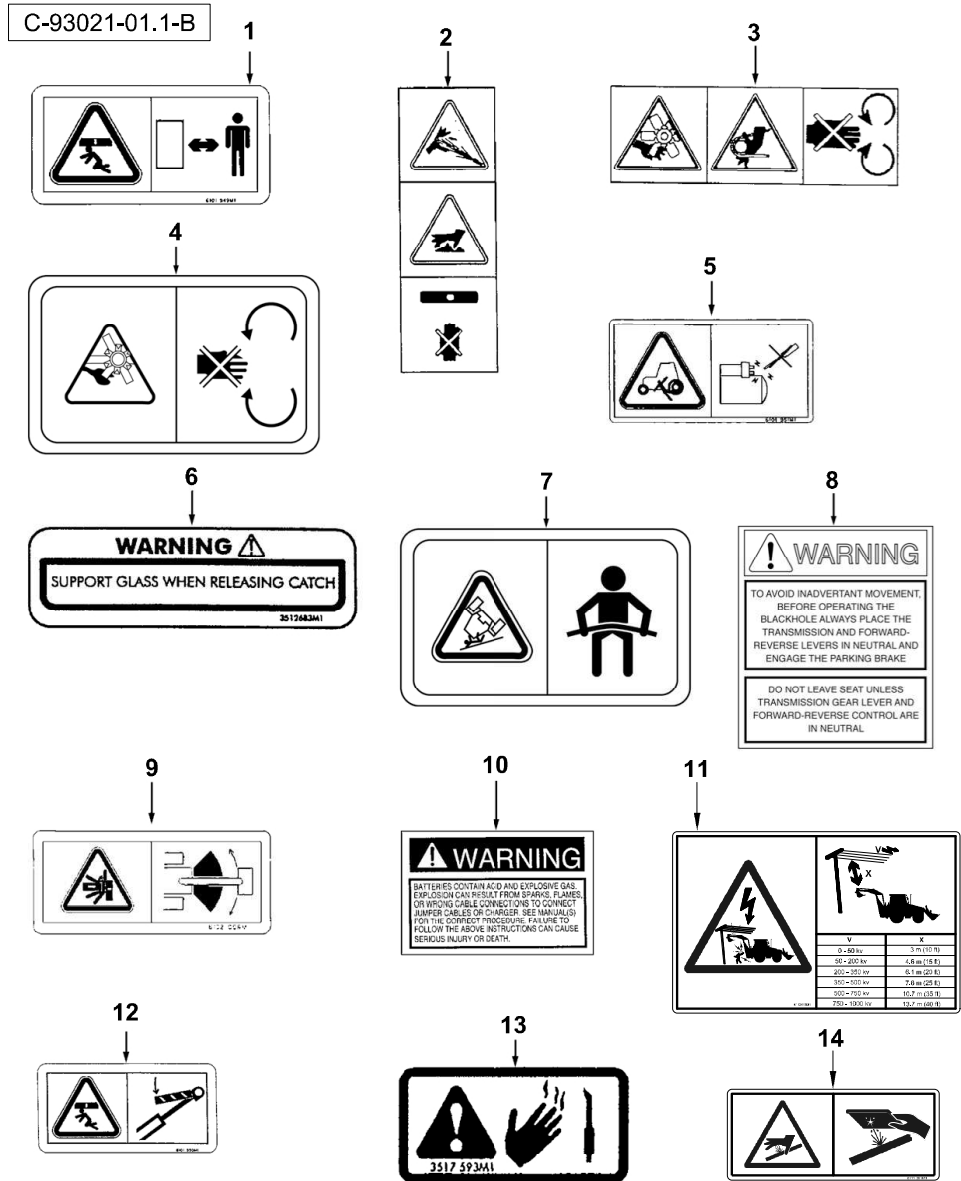


C-93020-03.1-B



<b>Item</b>	<b>Part No.</b>	<b>Qty.</b>	<b>English</b>	<b>French</b>	<b>German</b>	<b>Spanish</b>	<b>Remarks</b>
1	3516906M1	1	Decal Patent	Adhésif	Aufkleber	Adhesivo	
2	3516532M1	1	Decal - Serial Number Border	Adhésif	Aufkleber	Adhesivo	
3	6107927M1	1	Cap Steering Wheel-Terex	Chapeau	Kappe	Sombrerete	
4	6102158M1	1	Decal - Light Absorbtion	Adhésif	Aufkleber	Adhesivo	
5	6110677M1	2	Decal Stabiliser Leg Stripe	Adhésif	Aufkleber	Adhesivo	

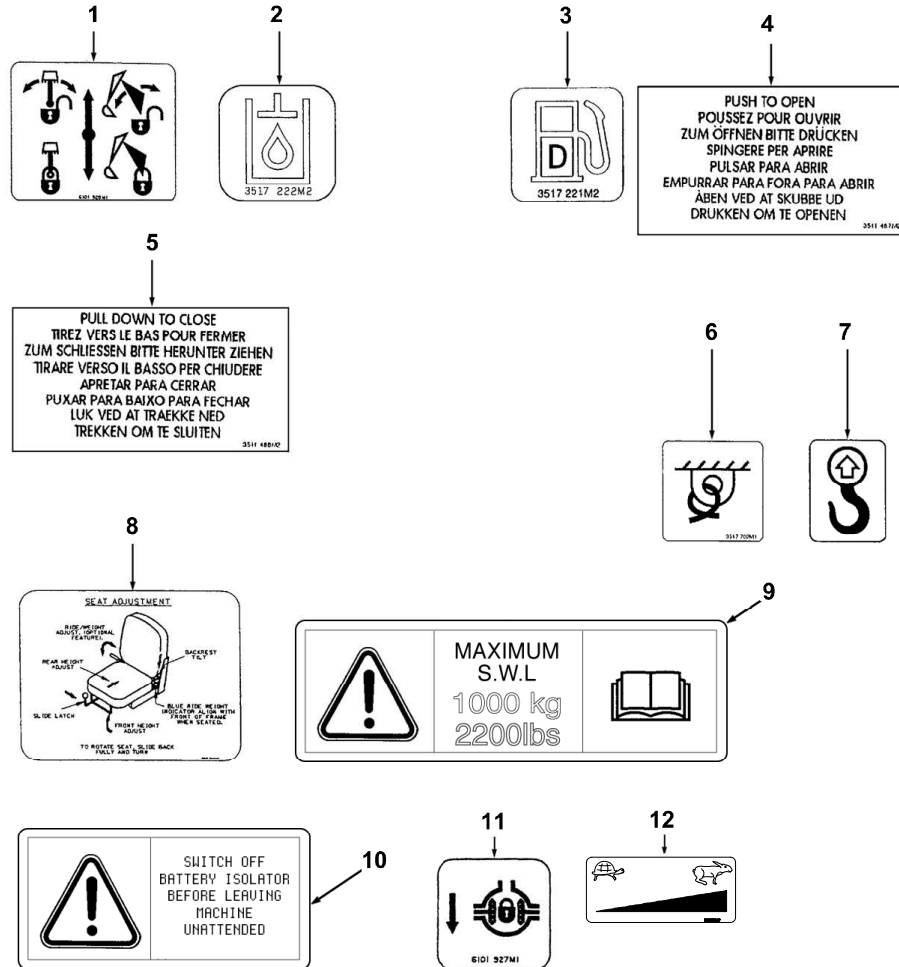




Item	Part No.	Qty.	English	French	German	Spanish	Remarks
1	6101949M1	4	Decal-Stay A Safe Distance - Nla	Adhésif	Aufkleber	Adhesivo	
2	6010161M2	1	Decal, Warning - Radiator	Adhésif	Aufkleber	Adhesivo	
3	6010160M2	2	Decal - Fan	Adhésif	Aufkleber	Adhesivo	
4	6010164M1	2	Decal, Warning - Engine Cover	Adhésif	Aufkleber	Adhesivo	
5	6101951M2	1	Decal-Engine Start	Adhésif	Adhésif	Adhesivo	
6	3512683M1	1	Decal Wrng Glass-Eng	Adhésif	Aufkleber	Adhesivo	
7	6101952M2	1	Decal-Avoid Crushing	Adhésif	Aufkleber	Adhesivo	
8	6102184M1	1	Decal-Engage Neutral-Englishsh	Adhésif	Aufkleber	Adhesivo	
9	6102056M1	2	Decal-Avoid Crushing	Adhésif	Aufkleber	Adhesivo	
10	321-6714	1	Decal, Warning - Battery	Adhésif	Aufkleber	Adhesivo	
11	6112013M1	1	Decal Electrocuton Hazard ISO	Adhésif	Aufkleber	Adhesivo	
12	6101950M2	1	Decal-Secure Lift Cyl.	Adhésif	Aufkleber	Adhesivo	
13	3517593M1	2	Decal Exhaust Warning	Adhésif	Aufkleber	Adhesivo	
14	6111361M1	2	Decal - Injection Skin	Adhésif	Aufkleber	Adhesivo	



C-93021-02.1-D

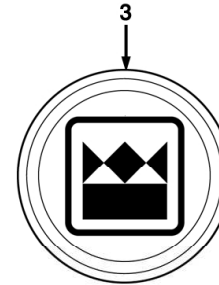
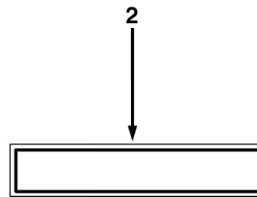
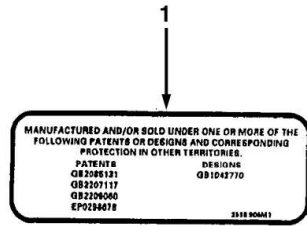




Item	Part No.	Qty.	English	French	German	Spanish	Remarks
1	6101928M1	1	Decal-Transport Lock	Adhésif	Aufkleber	Adhesivo	
2	3517222M3	1	Decal - Hydraulic Oil	Adhésif	Aufkleber	Adhesivo	
3	3517221M3	1	Decal - Diesel Fuel	Adhésif	Aufkleber	Adhesivo	
4	3511487M2	1	Decal Push Out Window	Adhésif	Aufkleber	Adhesivo	
5	3511488M2	1	Decal - Pull Down To Close	Adhésif	Aufkleber	Adhesivo	
6	3517702M1	4	Decal - Tie Down	Adhésif	Aufkleber	Adhesivo	
7	3517703M1	4	Decal - Lifting	Adhésif	Aufkleber	Adhesivo	
8	6102191M1	1	Decal-Seat Adjustment	Adhésif	Aufkleber	Adhesivo	
9	6102194M1	2	Decal - 1000kg Safe Working Load	Adhésif	Aufkleber	Adhesivo	
10	6108495M1	1	Decal Battery Isolator (English)	Adhésif	Aufkleber	Adhesivo	
11	6101927M1	1	Decal - Diff Lock	Collant	Aufkleber	Adhesivo	
12	6110668M2	1	Decal Hand Throttle	Decalcomanie	Aufkleber	Calcomania	

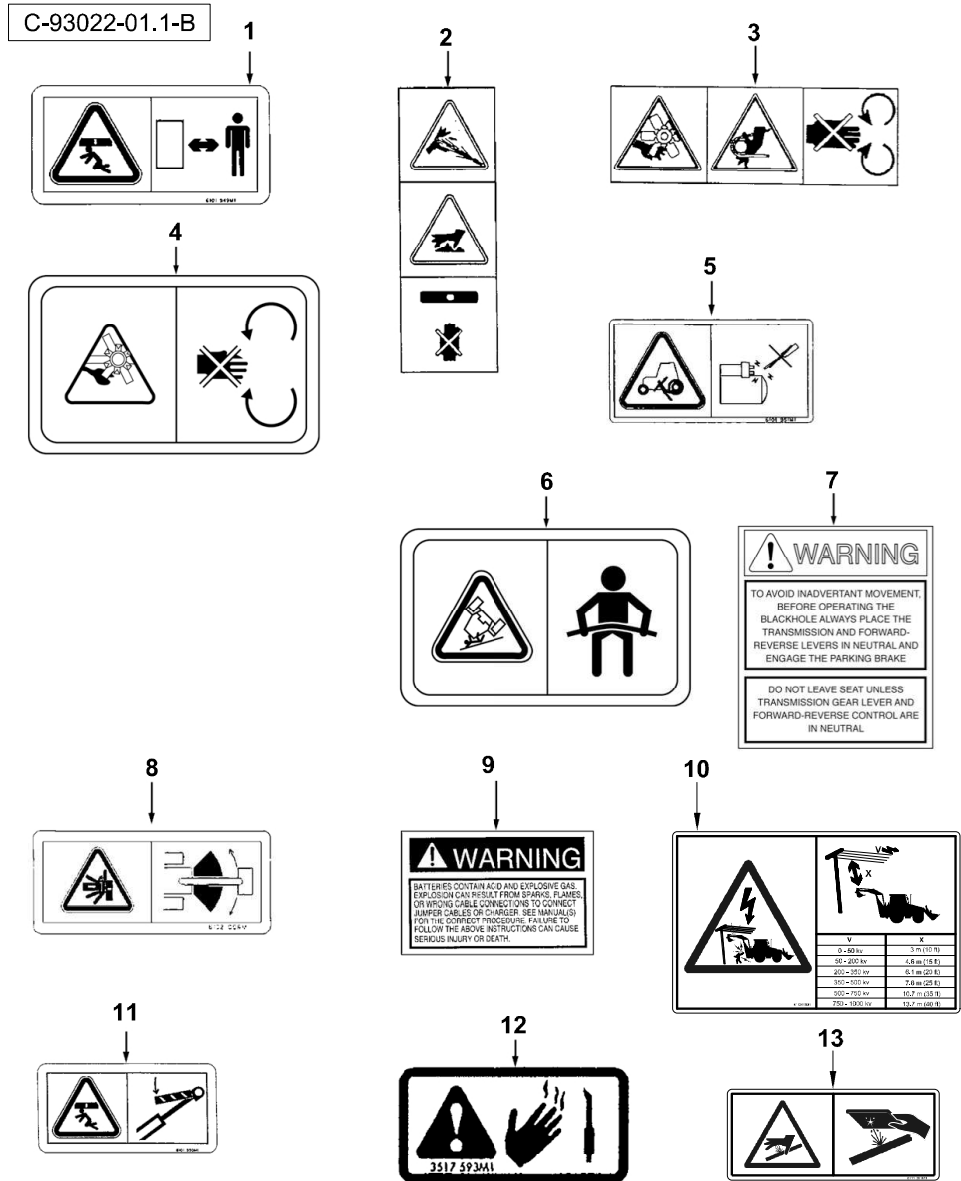


C-93021-03.1-A



<b>Item</b>	<b>Part No.</b>	<b>Qty.</b>	<b>English</b>	<b>French</b>	<b>German</b>	<b>Spanish</b>	<b>Remarks</b>
1	3516906M1	1	Decal Patent	Adhésif	Aufkleber	Adhesivo	
2	3516532M1	1	Decal - Serial Number Border	Adhésif	Aufkleber	Adhesivo	
3	6107927M1	1	Cap Steering Wheel-Terex	Chapeau	Kappe	Sombrerete	

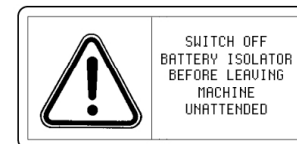
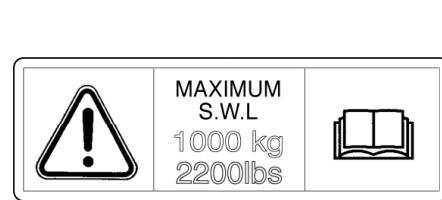
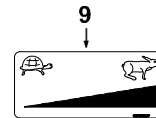
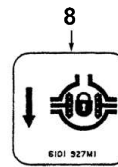
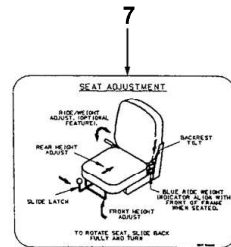
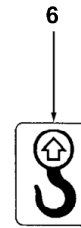
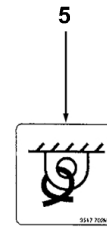
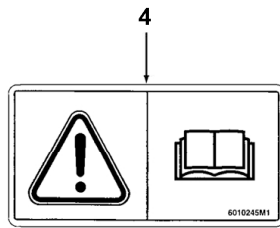
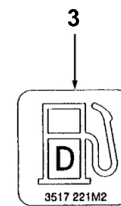
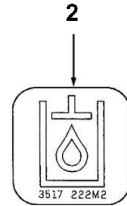
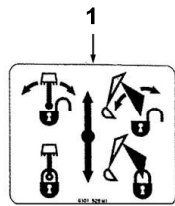




Item	Part No.	Qty.	English	French	German	Spanish	Remarks
1	6101949M1	4	Decal-Stay A Safe Distance - Nla	Adhésif	Aufkleber	Adhesivo	
2	6010161M2	1	Decal, Warning - Radiator	Adhésif	Aufkleber	Adhesivo	
3	6010160M2	2	Decal - Fan	Adhésif	Aufkleber	Adhesivo	
4	6010164M1	2	Decal, Warning - Engine Cover	Adhésif	Aufkleber	Adhesivo	
5	6101951M2	1	Decal-Engine Start	Adhésif	Adhésif	Adhesivo	
6	6101952M2	1	Decal-Avoid Crushing	Adhésif	Aufkleber	Adhesivo	
7	6102184M1	1	Decal-Engage Neutral-Englishsh	Adhésif	Aufkleber	Adhesivo	
8	6102056M1	2	Decal-Avoid Crushing	Adhésif	Aufkleber	Adhesivo	
9	321-6714	1	Decal, Warning - Battery	Adhésif	Aufkleber	Adhesivo	
10	6112013M1	1	Decal Electrocutation Hazard ISO	Adhésif	Aufkleber	Adhesivo	
11	6101950M2	1	Decal-Secure Lift Cyl.	Adhésif	Aufkleber	Adhesivo	
12	3517593M1	2	Decal Exhaust Warning	Adhésif	Aufkleber	Adhesivo	
13	6111361M1	2	Decal - Injection Skin	Adhésif	Aufkleber	Adhesivo	



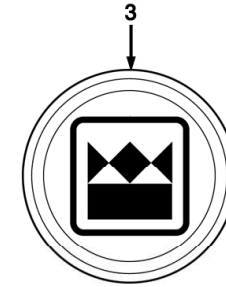
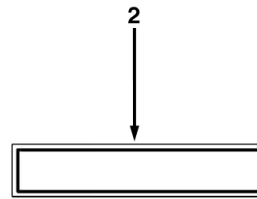
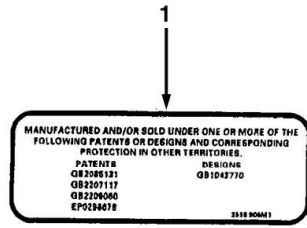
C-93022-02.1-C



Item	Part No.	Qty.	English	French	German	Spanish	Remarks
1	6101928M1	1	Decal-Transport Lock	Adhésif	Aufkleber	Adhesivo	
2	3517222M3	1	Decal - Hydraulic Oil	Adhésif	Aufkleber	Adhesivo	
3	3517221M3	1	Decal - Diesel Fuel	Adhésif	Aufkleber	Adhesivo	
4	6108692M1	1	Decal - Operators Instruction Book	Adhésif	Aufkleber	Adhesivo	
5	3517702M1	4	Decal - Tie Down	Adhésif	Aufkleber	Adhesivo	
6	3517703M1	4	Decal - Lifting	Adhésif	Aufkleber	Adhesivo	
7	6102191M1	1	Decal-Seat Adjustment	Adhésif	Aufkleber	Adhesivo	
8	6101927M1	1	Decal - Diff Lock	Collant	Aufkleber	Adhesivo	
9	6110668M2	1	Decal Hand Throttle	Decalcomanie	Aufkleber	Calcomania	
10	6102194M1	2	Decal - 1000kg Safe Working Load	Adhésif	Aufkleber	Adhesivo	
11	6108495M1	1	Decal Battery Isolator (English)	Adhésif	Aufkleber	Adhesivo	



C-93022-03.1-A

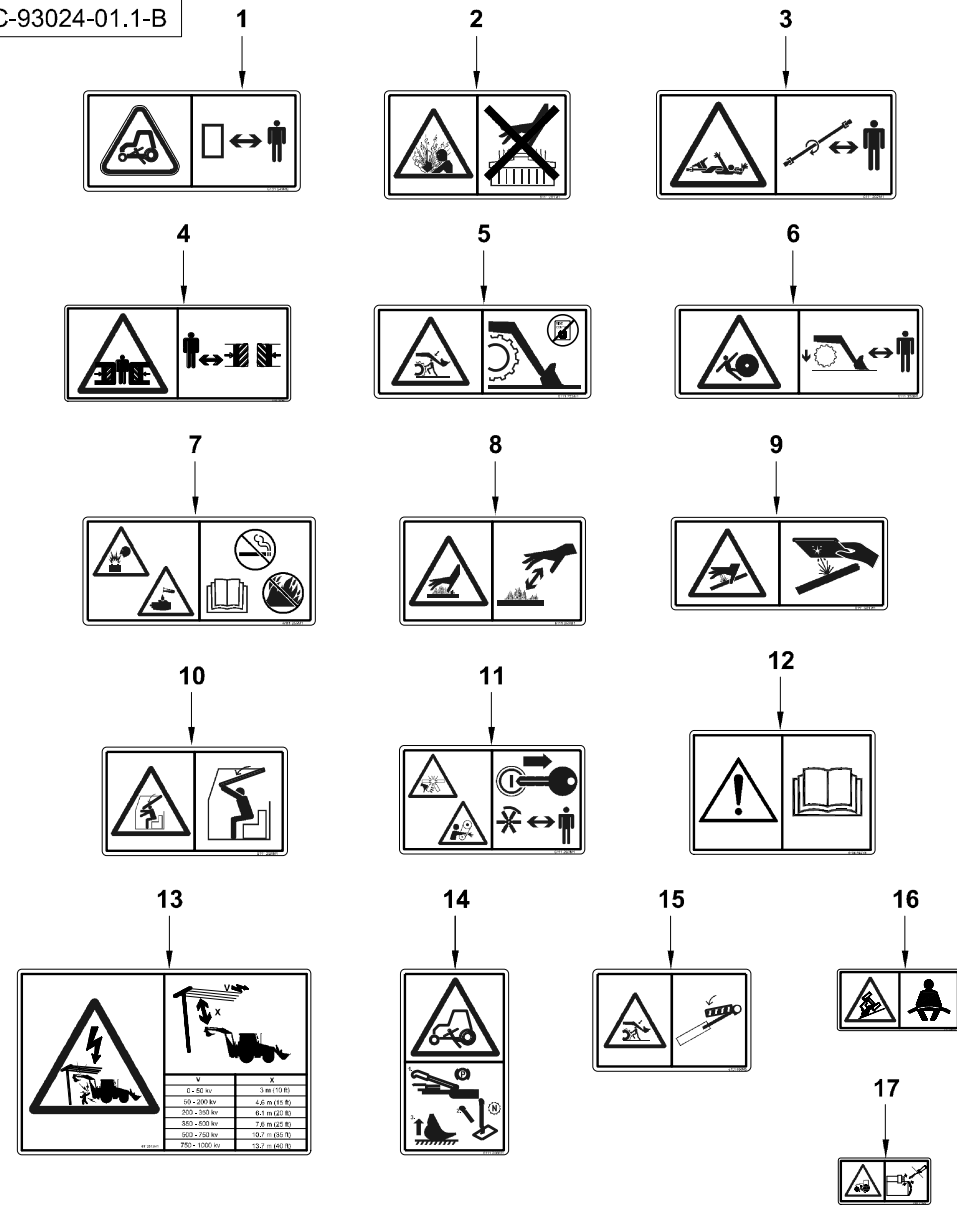




<b>Item</b>	<b>Part No.</b>	<b>Qty.</b>	<b>English</b>	<b>French</b>	<b>German</b>	<b>Spanish</b>	<b>Remarks</b>
1	3516906M1	1	Decal Patent	Adhésif	Aufkleber	Adhesivo	
2	3516532M1	1	Decal - Serial Number Border	Adhésif	Aufkleber	Adhesivo	
3	6107927M1	1	Cap Steering Wheel-Terex	Chapeau	Kappe	Sombrerete	



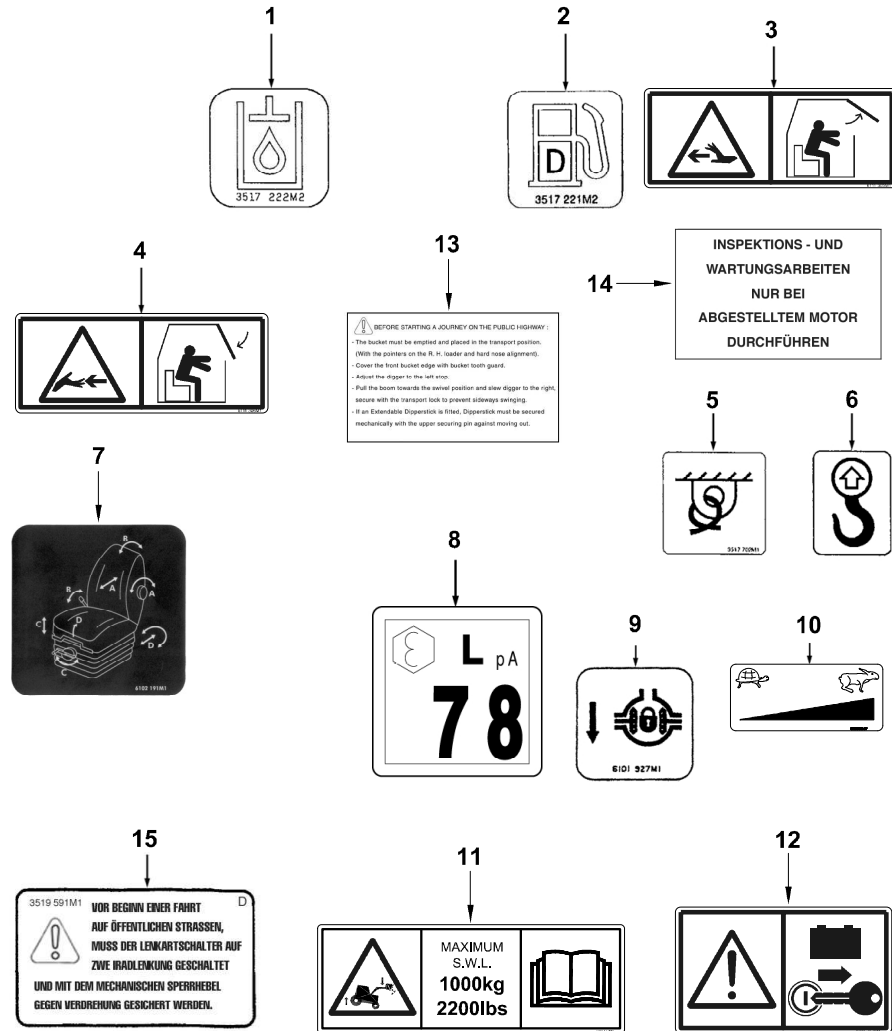
C-93024-01.1-B



Item	Part No.	Qty.	English	French	German	Spanish	Remarks
1	6101949M2	4	Decal Stay A Safe Distance	Adhésif	Aufkleber	Adhesivo	
2	6111261M1	1	Decal - Radiator (Warning)	Adhésif	Aufkleber	Adhesivo	
3	6111262M1	2	Decal - Warning (Rotating Parts)	Adhésif	Aufkleber	Adhesivo	
4	6102056M2	2	Decal - Warning (Avoid Crushing)	Adhésif	Aufkleber	Adhesivo	
5	6111253M2	2	Decal - Avoid Crush	Adhésif	Aufkleber	Adhesivo	
6	6111358M1	2	Decal - Avoid Crush	Adhésif	Aufkleber	Adhesivo	
7	6111255M1	1	Decal - Battery	Adhésif	Aufkleber	Adhesivo	
8	6111259M1	1	Decal - Exhaust (Warning)	Adhésif	Aufkleber	Adhesivo	
9	6111361M1	2	Decal - Injection Skin	Adhésif	Aufkleber	Adhesivo	
10	6111258M1	1	Decal- Support Glass	Adhésif	Aufkleber	Adhesivo	
11	6111260M1	1	Decal- Fan (Warning)	Adhésif	Aufkleber	Adhesivo	
12	6108692M1	1	Decal - Operators Instruction Book	Adhésif	Aufkleber	Adhesivo	
13	6112013M1	1	Decal Electrocutation Hazard ISO	Adhésif	Aufkleber	Adhesivo	
14	6111256M1	1	Decal - Select Neutral	Adhésif	Aufkleber	Adhesivo	
15	6101950M3	2	Decal - Warning (Safety Strut)	Adhésif	Aufkleber	Adhesivo	
16	6101952M3	1	Decal-Avoid Crushing	Adhésif	Aufkleber	Adhesivo	
17	6101951M3	1	Decal - Warning (Start Engine)	Adhésif	Aufkleber	Adhesivo	



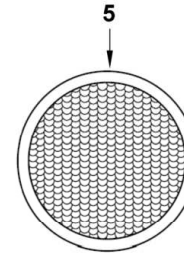
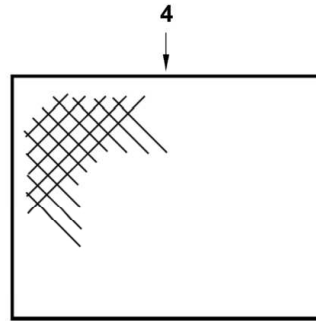
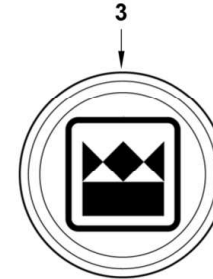
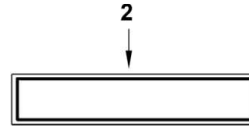
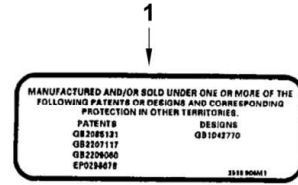
C-93024-02.1-C



Item	Part No.	Qty.	English	French	German	Spanish	Remarks
1	3517222M3	1	Decal - Hydraulic Oil	Adhésif	Aufkleber	Adhesivo	
2	3517221M3	1	Decal - Diesel Fuel	Adhésif	Aufkleber	Adhesivo	
3	6111305M1	1	Decal - Push Window To Open	Adhésif	Aufkleber	Adhesivo	
4	6111306M1	1	Decal - Pull Window To Close	Adhésif	Aufkleber	Adhesivo	
5	3517702M1	4	Decal - Tie Down	Adhésif	Aufkleber	Adhesivo	
6	3517703M1	4	Decal - Lifting	Adhésif	Aufkleber	Adhesivo	
7	6102191M1	1	Decal-Seat Adjustment	Adhésif	Aufkleber	Adhesivo	
8	6009536M1	1	Decal Noise 78	Adhésif	Aufkleber	Adhesivo	
9	6101927M1	1	Decal - Diff Lock	Collant	Aufkleber	Adhesivo	
10	6110668M2	1	Decal Hand Throttle	Decalcomanie	Aufkleber	Calcomania	
11	6102194M2	2	Decal - 1000kg Safe Working Load	Adhésif	Aufkleber	Adhesivo	
12	6111257M1	1	Decal - Battery Isolate	Adhésif	Aufkleber	Adhesivo	
13	3516760M1	1	Decal Op Instr Germ	Adhésif	Aufkleber	Adhesivo	
14	1731440M1	1	Decal Warn Maint Ger	Adhésif	Aufkleber	Adhesivo	
15	3519591M1	1	Decal - Engage 2ws	Adhésif	Aufkleber	Adhesivo	



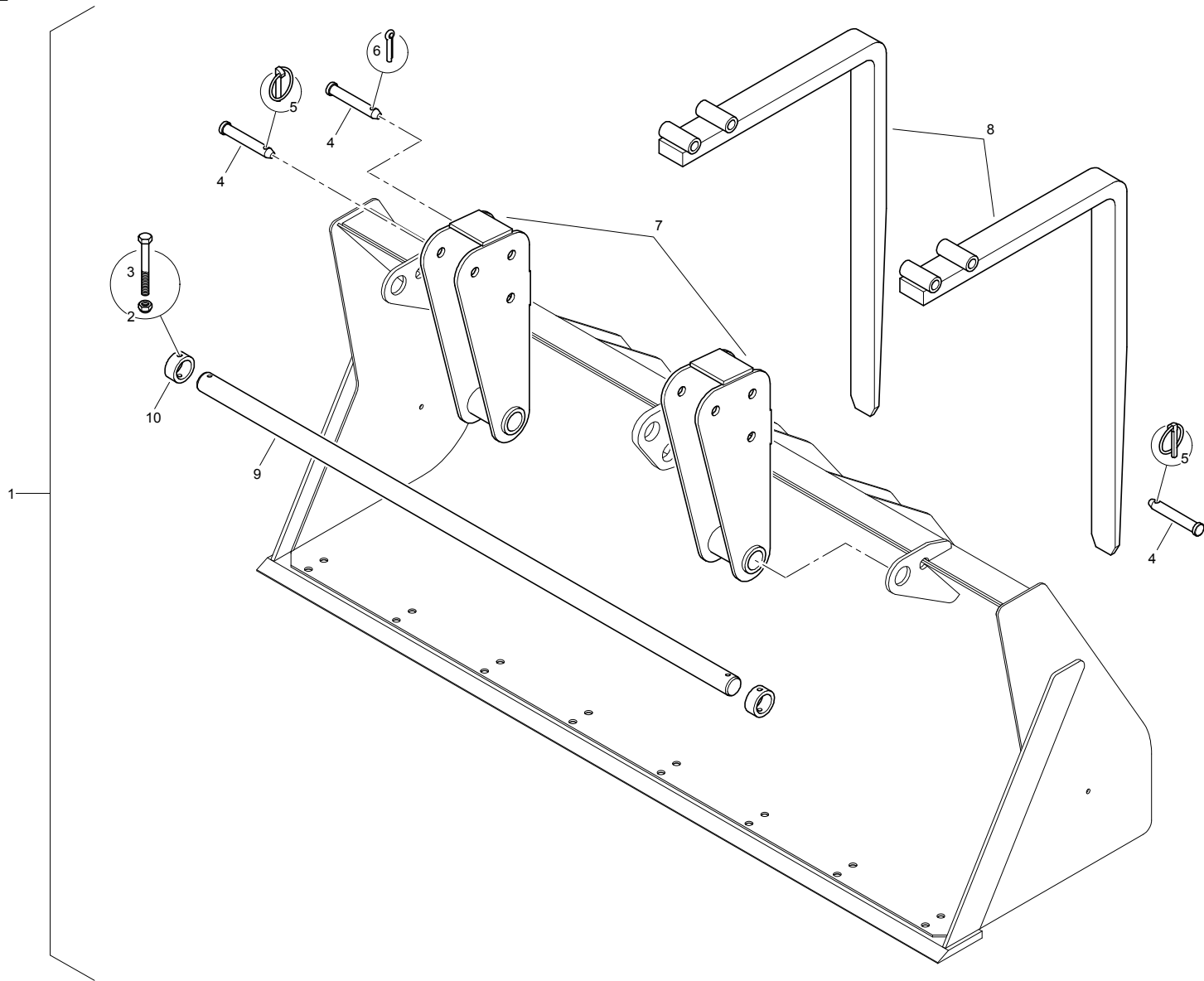
C-93024-03.1-A



Item	Part No.	Qty.	English	French	German	Spanish	Remarks
1	3516906M1	1	Decal Patent	Adhésif	Aufkleber	Adhesivo	
2	3516532M1	1	Decal - Serial Number Border	Adhésif	Aufkleber	Adhesivo	
3	6107927M1	1	Cap Steering Wheel-Terex	Chapeau	Kappe	Sombreroete	
4	1470972M1	1	Pad Anti Slip	Plaque Antidérapante	Zwischenlage	Cinta Antideslizante	
5	1462768M1	6	Re•ector	Catadioptré	Rückstrahler	Re•ector	
6	6111055M1	3	Speed Decal - 20 Kph	Adhésif	Aufkleber	Calcomanía Velocidad	
7	6111056M1	3	Speed Decal - 35 Kph	Adhésif	Aufkleber	Calcomanía Velocidad	
8	6111057M1	3	Speed Decal - 40 Kph	Adhésif	Aufkleber	Calcomanía Velocidad	



C-94002-01.1-A

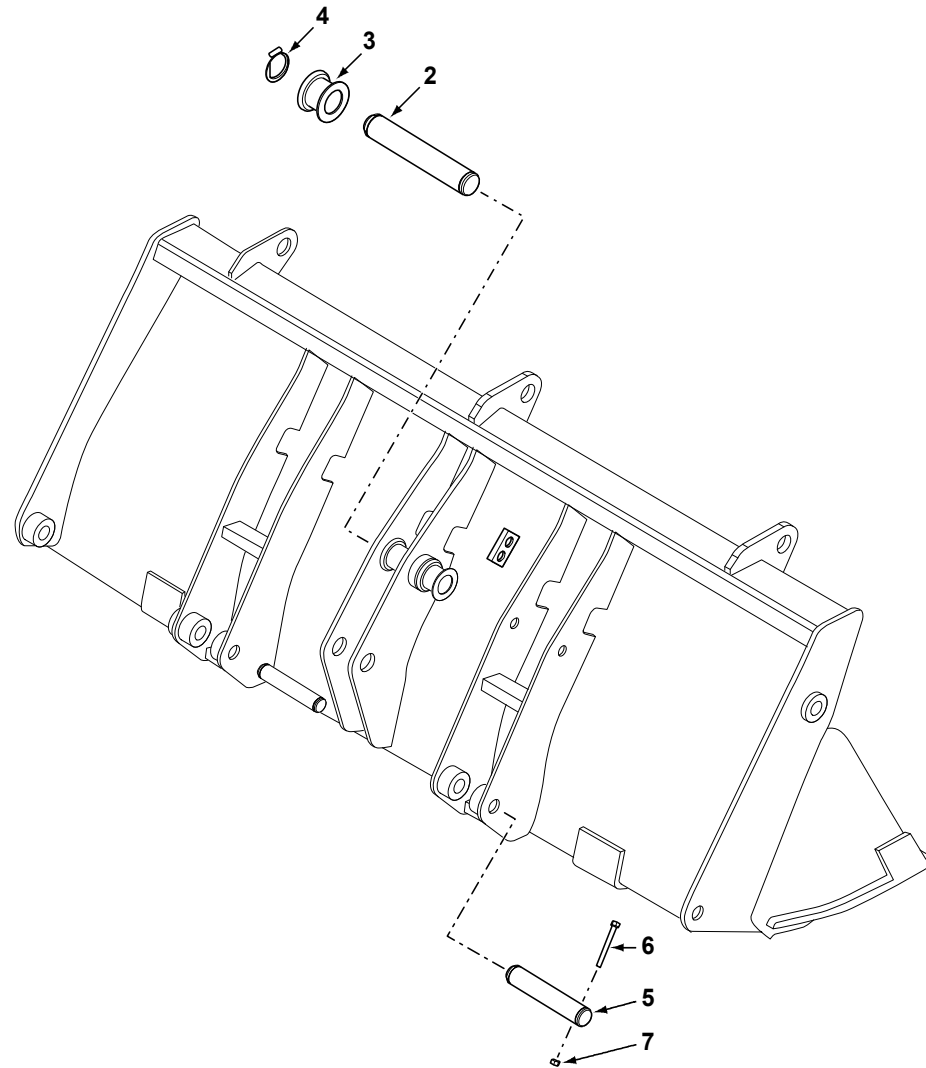




Item	Part No.	Qty.	English	French	German	Spanish	Remarks
1	6106254M94	1	Kit-1.2 Cm Ldr Bucket Fork	Jeu De Fourchettes	Reparatursatz	Juego De Horquillas	
2	1441932X1	2	Nut M10 Z5 Lock	Ecrou Blocage - M10	Flashmutter - M10	Tuerca	
3	3009503X1	2	Bolt M10-90 Z5s	Boulon	Bolzen	Tornillo	
4	3507537M1	6	Pivot Pin Plain	Goupille	Bolzen	Pasador	
5	810285M92	4	Linch Pin & Ring	Goupille D'Arrêt	Klappstecker	Pasador De Parada	
6	1442984X1	2	Pin Cotter 10.0x50.0	Goupille Fendue	Splint	Pasador	
7	6103661M92	2	Pivot - Fermec Loader Bucket Fork.	Ensemble De Pivot	Wellenzapfen Kpl.	Pivote, Conj.	
8	3516339M91	2	Fork Arm	Fourchette	Gabel	Horquilla, Conj.	
9	6103667M1	1	Bar-Ldr Bucket Fork Pivot	Barre	Stab	Barra	
10	6103668M1	2	Boss-Ldr Bucket Fork	Bossage	Anschweißauge	Saliente	



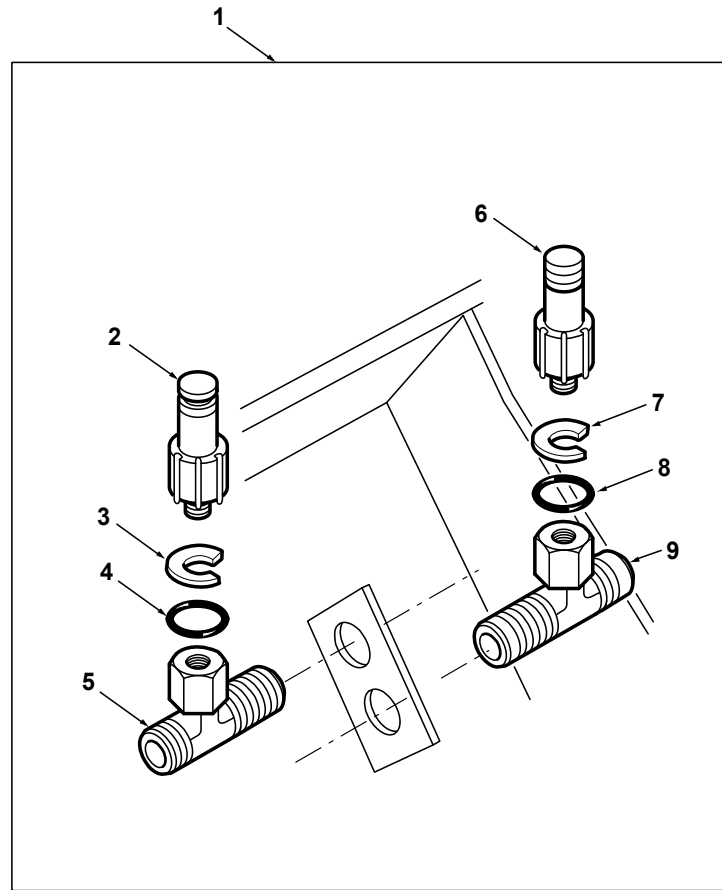
C-94003-01.1-A



Item	Part No.	Qty.	English	French	German	Spanish	Remarks
1	3519969M93	1	Kit, Pins - Loader Quick Attach	Lot De Pièces	Ersatzteilpaket	Juego De Piezas	
2	6100158M2	1	Pin-Ldr Q/Attach	Axe	Bolzen	Pasador	
3	6100156M1	2	Adaptor	Adaptateur	Reduziernippel	Rodillo	
4	391129X1	2	Circlip - External - 50mm	Segment D ´ Arrêt	Sicherungsring	Anillo De Resorte	
5	3520042M5	2	Pin	Goupille	Bolzen	Pasador	
6	3516014M1	2	Bolt - M10 X 90	Boulon - M10 X 90	Maschschraube M10	Tornillo	
7	1440329X1	2	Nut, Hex. - Nyloc, M10	Ecrou Blocage	Flachmutter M10	Tuerca De Retención	



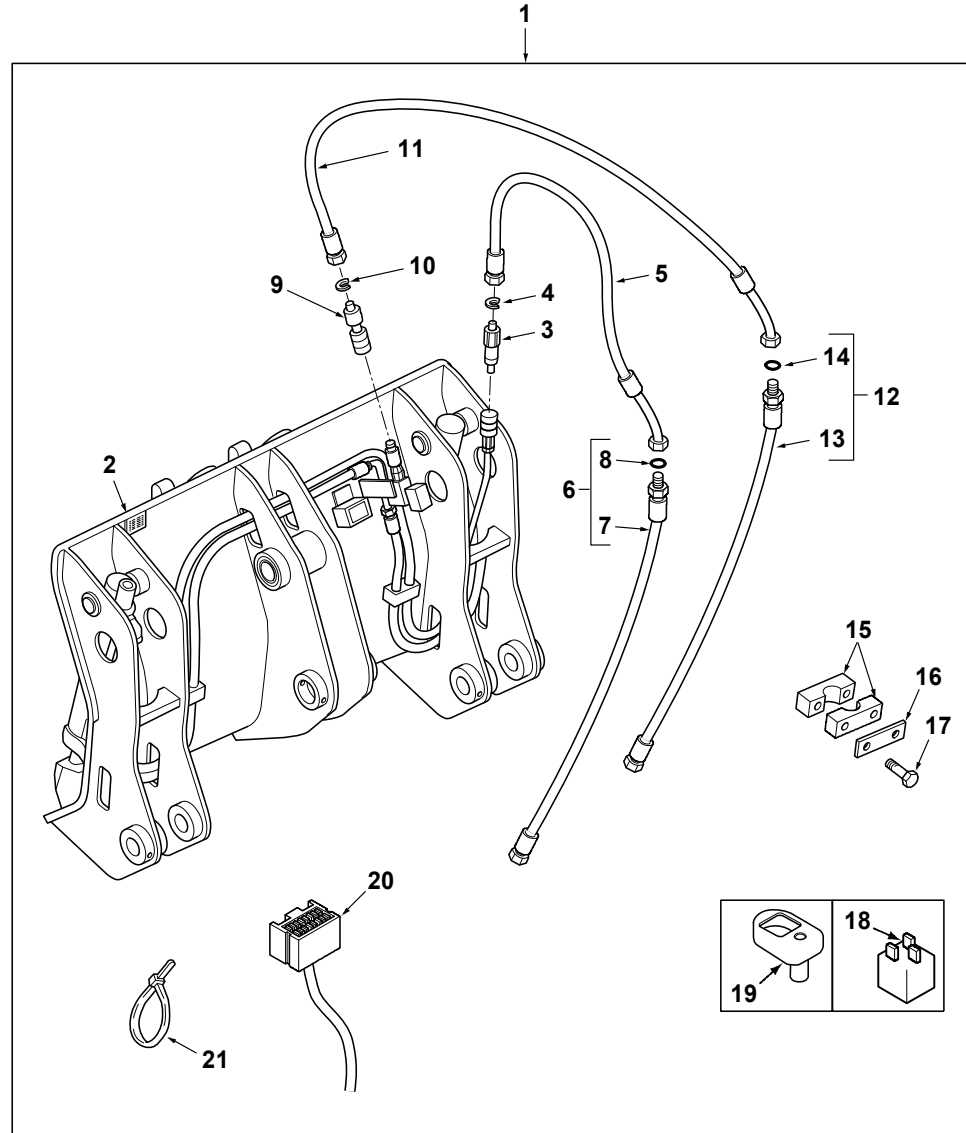
C-94004-01.1-A



Item	Part No.	Qty.	English	French	German	Spanish	Remarks
1	6106781M91	1	Kit Tube Quick Attach	Lot De Pièces	Ersatzteilpaket	Juego De Piezas	
2	6009429M91	1	Coupling Male	Accouplement	Kuppist Innen	Acoplamiento	
3	6009715M1	1	Ring Retaining	Segment D'Arrêt	Befestigungsring	Anillo De Retención	
4	1442477X1	1	O Ring	Joint Torique	O-Ring	Junta De Tipo O	
5	6106782M1	1	Adaptor-Ldr Bucket Q/Att.	Adaptateur	Reduziernippel	Adaptador	
6	6009430M91	1	Coupling Female	Accouplement	Kuppist Aussen	Acoplamiento	
7	6009715M1	1	Ring Retaining	Segment D'Arrêt	Befestigungsring	Anillo De Retención	
8	1442477X1	1	O Ring	Joint Torique	O-Ring	Junta De Tipo O	
9	6106782M1	1	Adaptor-Ldr Bucket Q/Att.	Adaptateur	Reduziernippel	Adaptador	



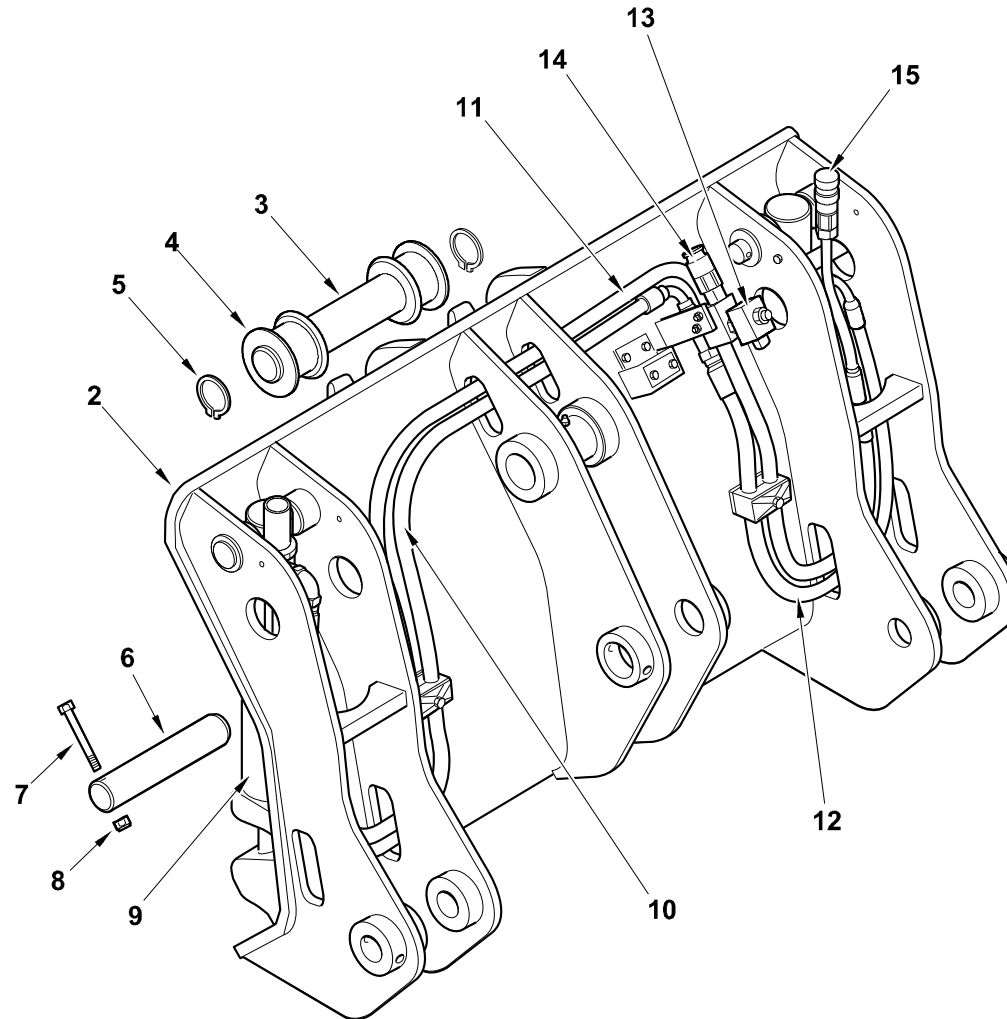
C-94005-01.1-A



Item	Part No.	Qty.	English	French	German	Spanish	Remarks
1	6101884M93	1	Kit, Loader Quick Attach - Std/Mp Bucket	Lot De Pièces	Ersatzteilpaket	Juego De Piezas	
2	6101684M92	1	Loader Quick Attach	Ensem. D'Attel. Rapide	Schnellkupplung Kpl	Engan. Rápido, Conj.	94005c02.1 1
3	6009429M91	1	Coupling Male	Accouplement	Kuppist Innen	Acoplamiento	
4	6009715M1	1	Ring Retaining	Segment D'Arrêt	Befestigungsring	Anillo De Retención	
5	6100351M91	1	Hose Assy Qa	Flexible Ass.	Schlauch Kpl	Flexible, Conj.	
6	6101549M92	1	Hose Assy	Flexible	Schlauch	Tubo Flexible	
7	#HOSE	1	Hose	Hose	Hose	Hose	Ref. 6
8	1442477X1	1	O Ring	Joint Torique	O-Ring	Junta De Tipo O	
9	6009430M91	1	Coupling Female	Accouplement	Kuppist Aussen	Acoplamiento	
10	6009715M1	1	Ring Retaining	Segment D'Arrêt	Befestigungsring	Anillo De Retención	
11	6100351M91	1	Hose Assy Qa	Flexible Ass.	Schlauch Kpl	Flexible, Conj.	
12	6101549M92	1	Hose Assy	Flexible	Schlauch	Tubo Flexible	
13	#HOSE	1	Hose	Hose	Hose	Hose	Ref. 12
14	1442477X1	1	O Ring	Joint Torique	O-Ring	Junta De Tipo O	
15	6102788M1	4	Fixing Bracket	Patte Fixation	Halter	Brida De Fijación	
16	1462583M1	2	Plate-Clamp	Plaque	Platte	Placa	
17	339096X1	4	Bolt M6-35 Z5s	Goupille	Bolzen M6 X 35	Tornillo	
18	6102490M1	1	Relay-Micro	Relais	Relais	Relé	Position RI31
19	6101777M91	1	Cover Assy. - Switch Operating	Cache	Abdeckung	Tapa	
20	3519951M91	1	Harness Ldr Qa	Faisceau	Beschirrung	Haz	
21	1862425M1	12	Tie 385mm T50I	Attache Cable	Kabelbinder	Enlace De Cable	



C-94005-02.1-A

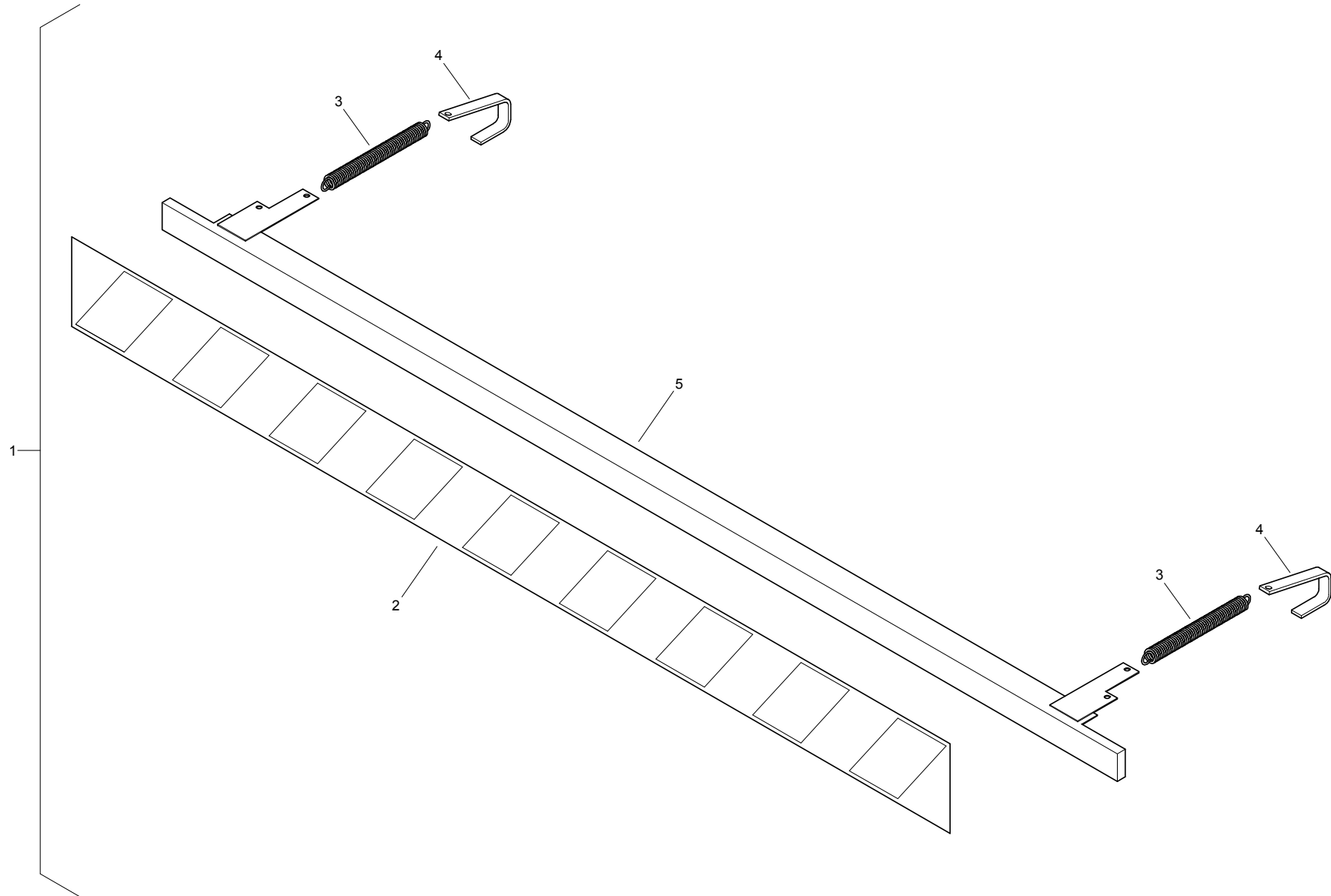




Item	Part No.	Qty.	English	French	German	Spanish	Remarks
1	6101684M92	1	Loader Quick Attach	Ensem. D&Attel. Rapide	Schnellkupplung Kpl	Engan. Rápido, Conj.	94005c01.1 2
2	#BODY	1	Body	Body	Body	Body	
3	6100158M2	1	Pin-Ldr Q/Attach	Axe	Bolzen	Pasador	
4	6100156M1	2	Adaptor	Adaptateur	Reduziernippel	Rodillo	
5	391129X1	2	Circlip - External - 50mm	Segment D'Arrêt	Sicherungsring	Anillo De Resorte	
6	3520042M5	2	Pin	Goupille	Bolzen	Pasador	
7	3516014M1	2	Bolt - M10 X 90	Boulon - M10 X 90	Maschschraube M10	Tornillo	
8	1440329X1	2	Nut, Hex. - Nyloc, M10	Ecrou Blocage	Flachmutter M10	Tuerca De Retención	
9	6194647M91	2	Cylinder	Verin	Zylinder	Cilindro	
10	6194648M91	1	Hose Assembly	Ensemble Durit	Schlauch Kpl	Flexible, Conj.	
11	6194649M91	1	Hose Assembly	Ensemble Durit	Schlauch Kpl	Flexible, Conj.	
12	6194650M91	1	Hose Assembly	Ensemble Durit	Schlauch Kpl	Flexible, Conj.	
13	6194646M91	1	Solenoid Assembly	Solenoide	Magnetspule	Solenoide	
14	6009429M91	1	Coupling Male	Accouplement	Kuppist Innen	Acoplamiento	
15	6009430M91	1	Coupling Female	Accouplement	Kuppist Aussen	Acoplamiento	



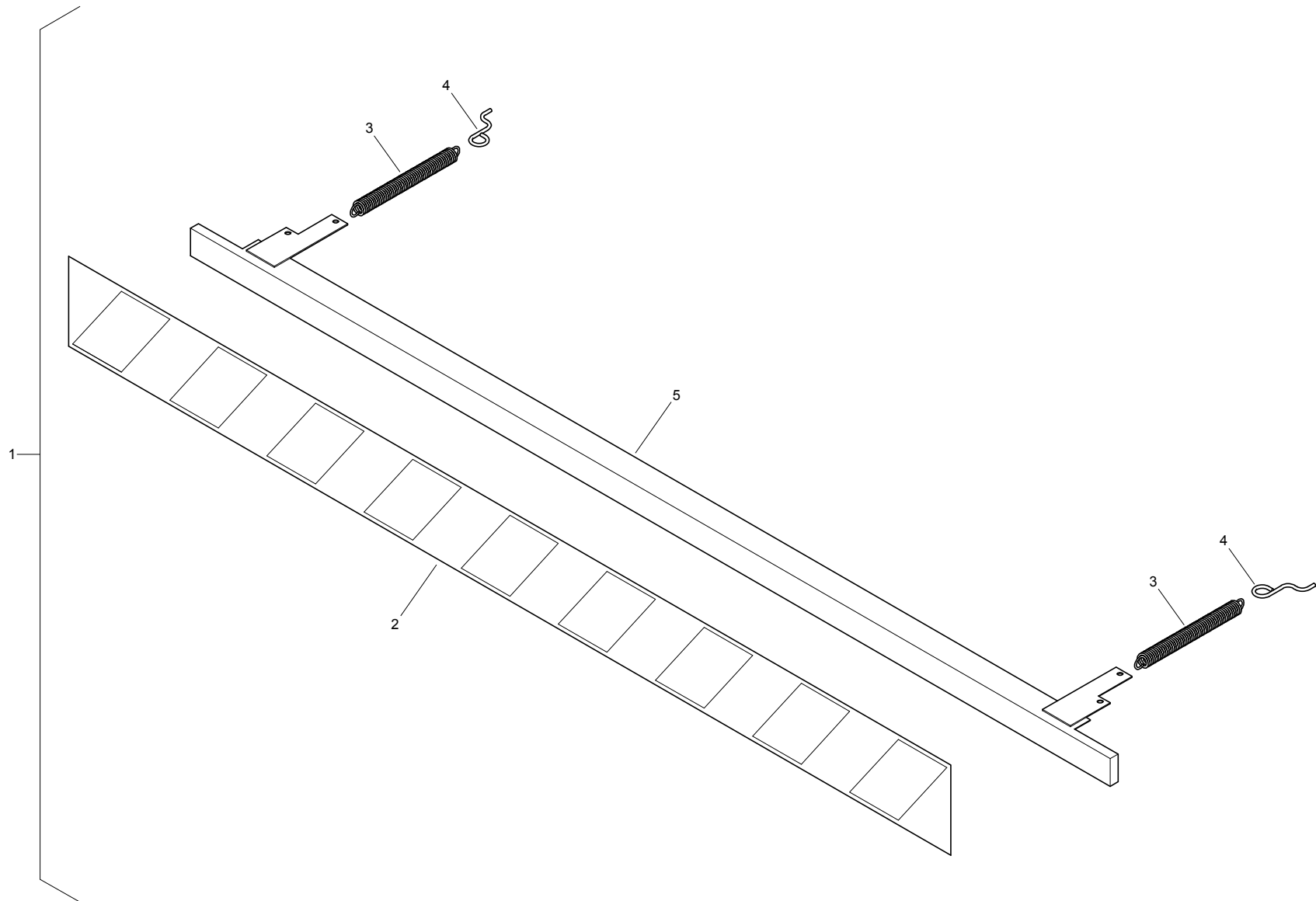
C-95001-01.1-A



Item	Part No.	Qty.	English	French	German	Spanish	Remarks
1	3519785M91	1	Kit - Tooth Guard (Wide + Decal) Mlt Bkt	Démodé	Überholt	Protector, Conj.	
2	1471920M1	1	Decal, Warning - Ldr. Bucket Teeth Guard	Adhésif	Aufkleber	Adhesivo	
3	1470338M1	2	Spring, Retaining - Loader Bucket Guard	Siège De Ressort	Federsitz	Muelle	
4	6106687M1	2	Hook, Retaining - Ldr. Bkt. Teeth Guard	Patte De Fixation	Halter	Pata De Fijación	
5	3522151M93	1	Guard, Loader Bucket Teeth - Wide	Protecteur	Schutz	Protector	



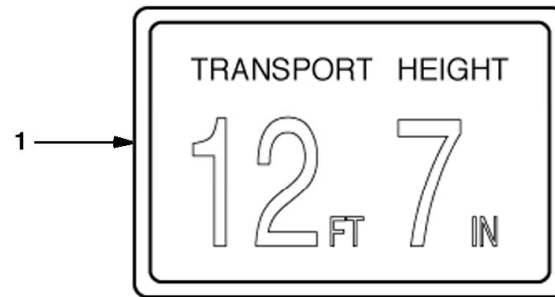
C-95007-01.1-A



<b>Item</b>	<b>Part No.</b>	<b>Qty.</b>	<b>English</b>	<b>French</b>	<b>German</b>	<b>Spanish</b>	<b>Remarks</b>
1	3522150M94	1	Kit - Tooth Guard (Wide + Decal) Std Bkt	Démodé	Überholt	Protector, Conj.	
2	1471920M1	1	Decal, Warning - Ldr. Bucket Teeth Guard	Adhésif	Aufkleber	Adhesivo	
3	1470338M1	2	Spring, Retaining - Loader Bucket Guard	Siège De Ressort	Federsitz	Muelle	
4	3516782M2	2	Hook, Retaining - Loader Bucket Guard	Crochet	Haken	Gancho	
5	3522151M93	1	Guard, Loader Bucket Teeth - Wide	Protecteur	Schutz	Protector	



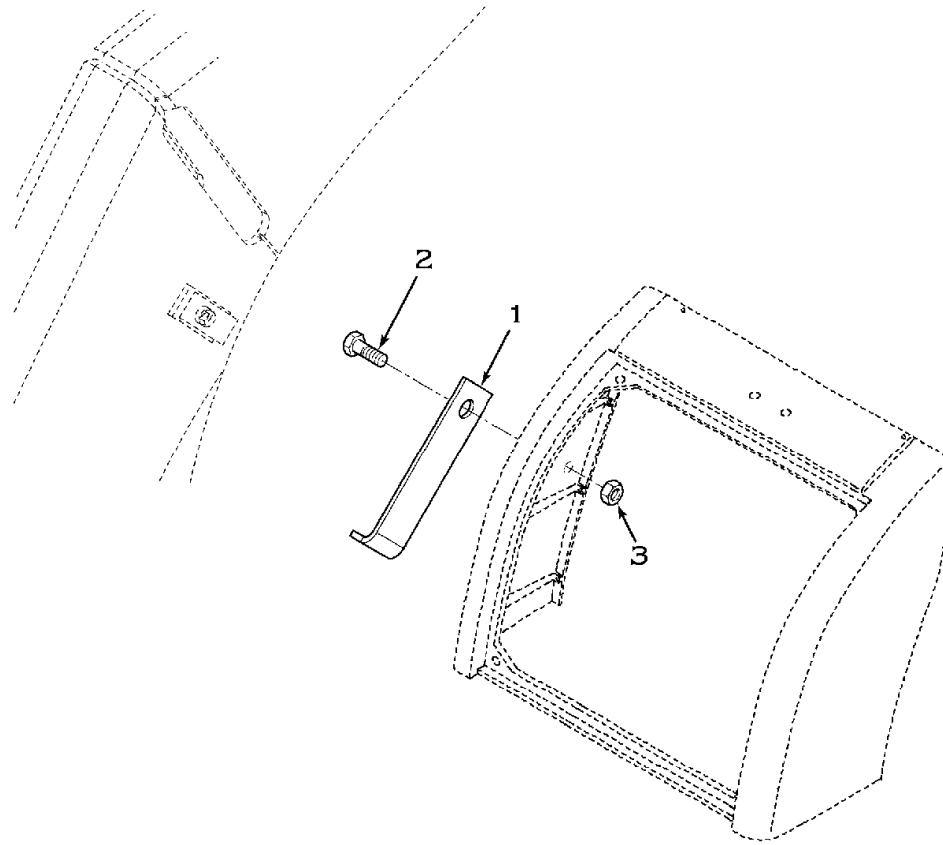
C-95009-01.1-A



<b>Item</b>	<b>Part No.</b>	<b>Qty.</b>	<b>English</b>	<b>French</b>	<b>German</b>	<b>Spanish</b>	<b>Remarks</b>
1	6101996M1	1	Decal-Height-Transport	Adhésif	Aufkleber	Adhesivo	



C-95013-01.1-A

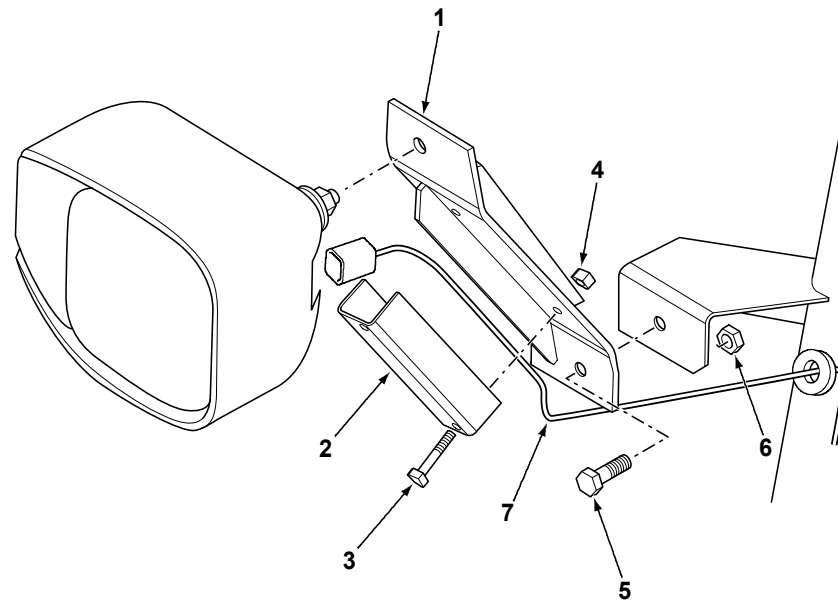




<b>Item</b>	<b>Part No.</b>	<b>Qty.</b>	<b>English</b>	<b>French</b>	<b>German</b>	<b>Spanish</b>	<b>Remarks</b>
1	6102484M2	1	Pointer-German Carry	Indicateur	Anzeige	Placa	
2	339337X1	1	Bolt M8-30 Z5f	Goupille	Bolzen - M8 X 30	Perno	
3	394367X1	1	Nut, Hex. - Nyloc, M8	Ecrou Blocage M8	Flachmutter - M8	Tuerca De Retención	



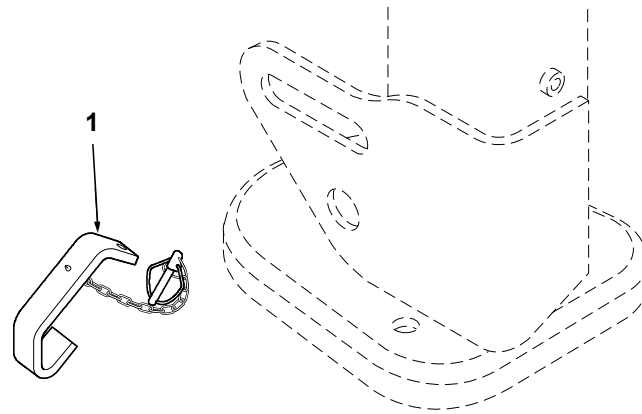
C-95014-01.1-A



Item	Part No.	Qty.	English	French	German	Spanish	Remarks
1	6102818M92	1	Bracket-Headlamp-Lh	Patte Fixation	Halter	Cuchara, Conj.	
1	6102817M92	1	Bracket-Headlamp-Rh	Patte Fixation	Halter	Cuchara, Conj.	
2	6102863M2	2	Plate-Cover	Cache	Abdeckung	Tapa	
3	391244X1	2	Bolt M6-45 Z5s	Goupille	Bolzen - M6 X 45	Perno	
4	1441500X1	2	Nut M6 Z5 Nyloc	Ecrou	Flachmutter M6	Tuerca De Retención	
5	3009492X1	2	Bolt - Hex. M10 X 25	Boulon M10 X 25	Schraube M10 X 25	Tornillo	
6	1440329X1	2	Nut, Hex. - Nyloc, M10	Ecrou Blocage	Flachmutter M10	Tuerca De Retención	
7	6108516M91	2	Headlight Extension Harness	Ensemble De Faisceau	Kabelstrang Kpl.	Haz, Conj.	



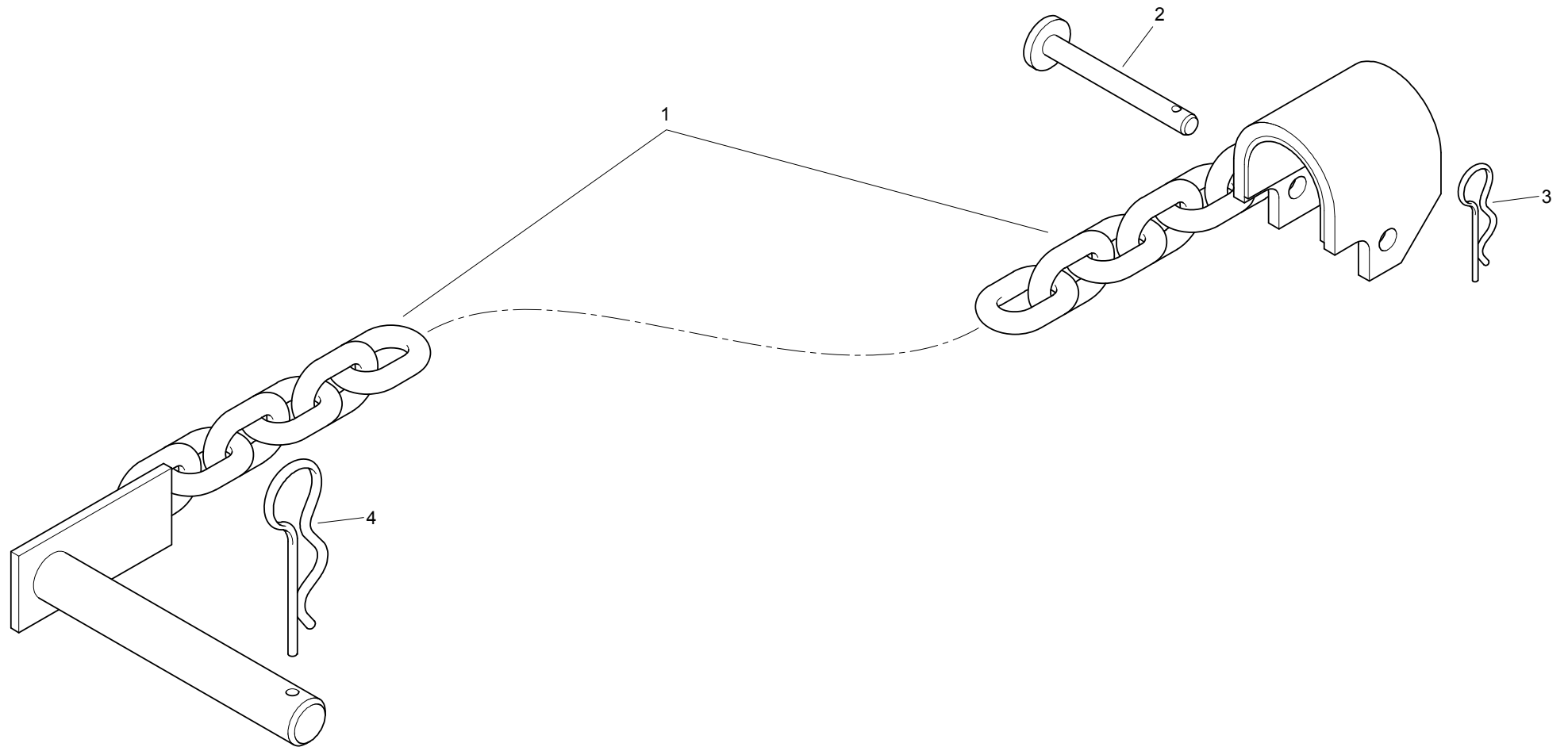
C-95015-01.1-A



<b>Item</b>	<b>Part No.</b>	<b>Qty.</b>	<b>English</b>	<b>French</b>	<b>German</b>	<b>Spanish</b>	<b>Remarks</b>
1	T101200	1	Bracket Assy - Stab Lock Up	Ensemble Support	Halter Kpl	Cjt.Soporte	



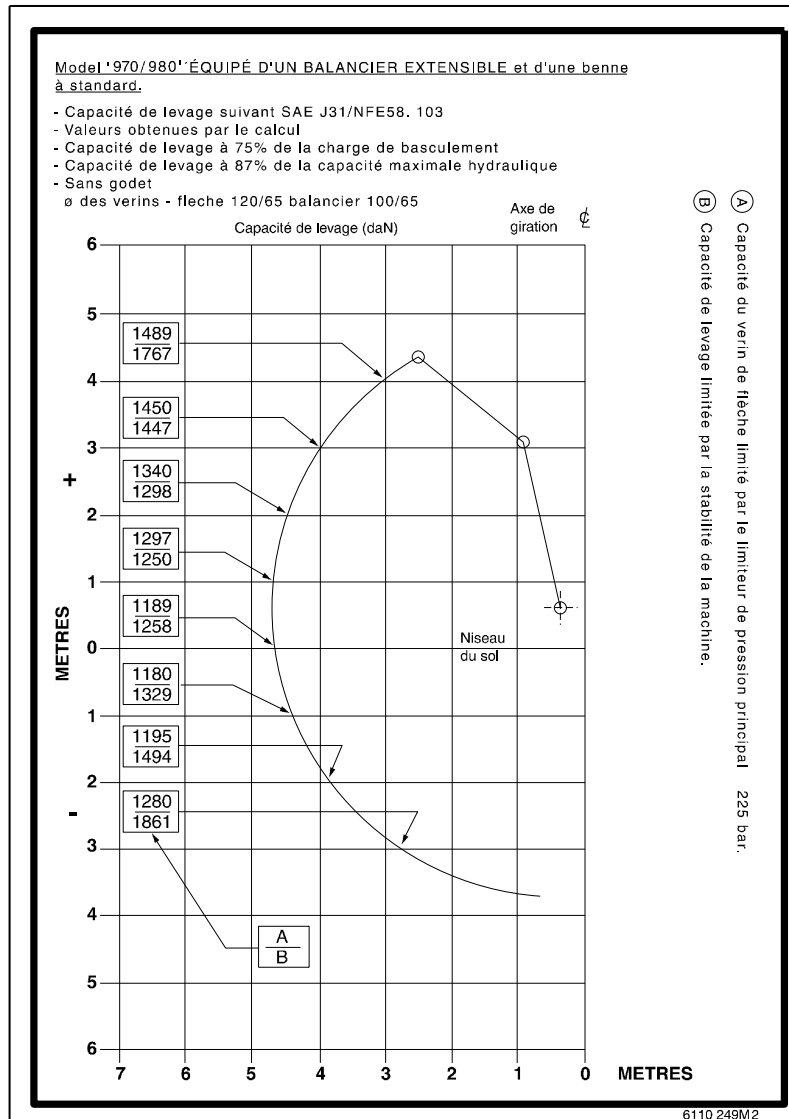
C-95017-01.1-A



<b>Item</b>	<b>Part No.</b>	<b>Qty.</b>	<b>English</b>	<b>French</b>	<b>German</b>	<b>Spanish</b>	<b>Remarks</b>
1	3517949M93	1	Chain-Ldr Transport Lock W/Asy	Chaîne	Kette	Cadena	
2	3517952M91	1	Pin Welded Assy	Axe	Bolzen	Pasador	
3	377165X1	1	Split Pin/Safety Pin	Goupille D&Arrêt	Splint	Pasador De Parada	
4	3517961M1	1	Split Pin/Safety Pin	Coupille Fendue	Splint	Pasador De Parada	



C-95021-01.1-B



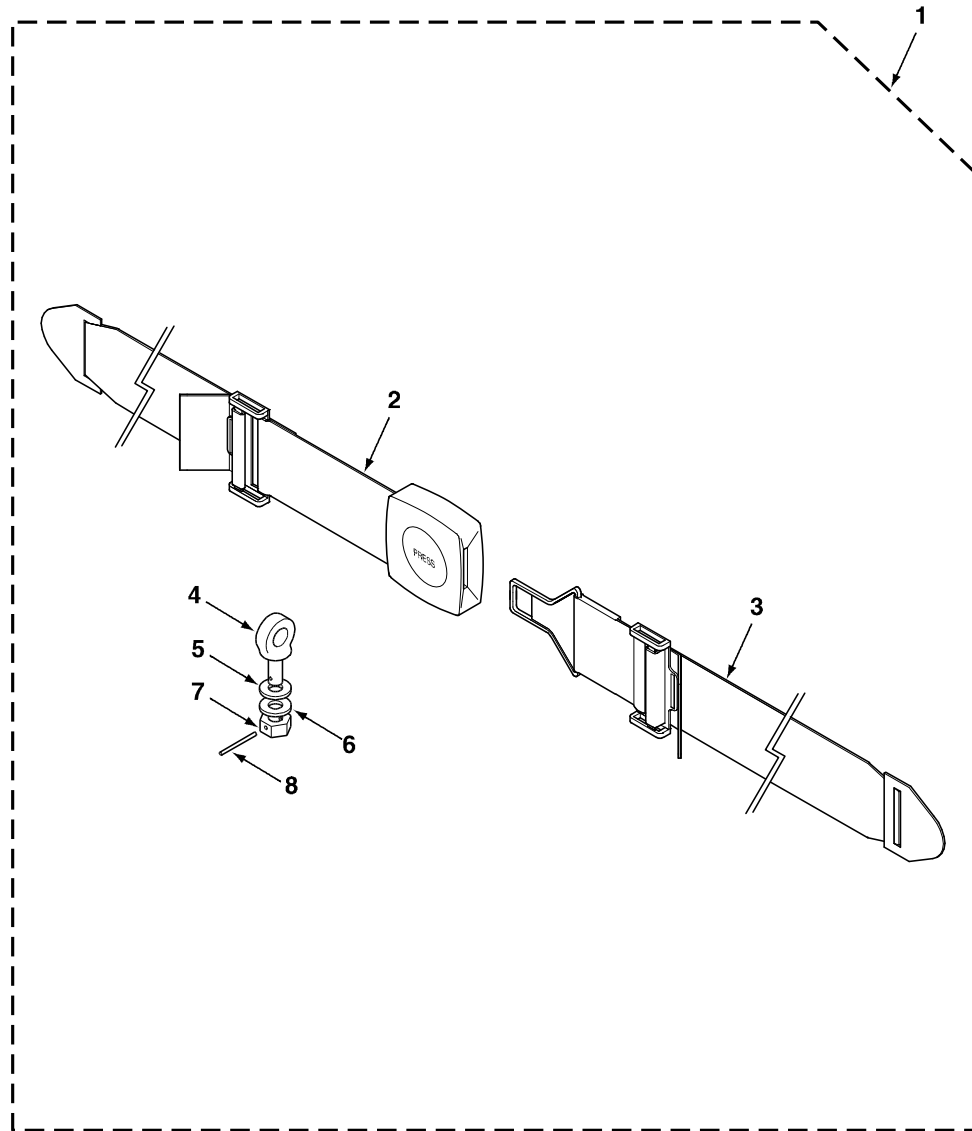
← 1



<b>Item</b>	<b>Part No.</b>	<b>Qty.</b>	<b>English</b>	<b>French</b>	<b>German</b>	<b>Spanish</b>	<b>Remarks</b>
1	6110249M2	1	Decal - Craning Extendahoe - Retracted	Decalcomanie	Aufkleber	Adhesivo	



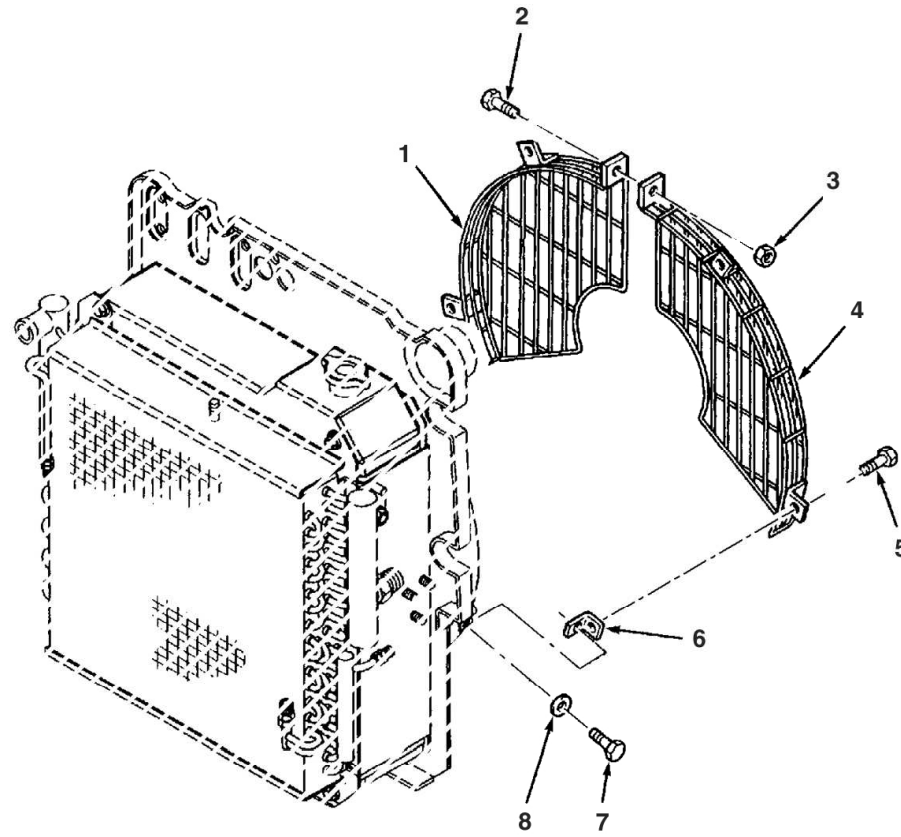
C-95022-01.1-A



Item	Part No.	Qty.	English	French	German	Spanish	Remarks
1	709093M91	1	Seat Belt - 3" Wide	Couroie	Riemen	Cinturón, Seguridad	
2	#BELT, SEAT	1	Belt, Seat	Belt, Seat	Belt, Seat	Belt, Seat	Ref 1
3	#BELT, SEAT	1	Belt, Seat	Belt, Seat	Belt, Seat	Belt, Seat	Ref 1
4	709403M1	2	Eye Bolt - Seat Belt	Boulon À �ll	Augenschraube	Perno De Anilla	
5	353432X1	2	Washer Lock	Rondelle Frein	Scheibe, Sicherungs-	Arandela	
6	369968X1	2	Washer, Special	Rondelle Sp�ciale	Spezialscheibe	Arandela Especial	
7	364201X1	2	Nut - Hex Special 7/16-20 Unf Sae8 Zinc	Ecrou Special	Spezialmutter	Tuerca	
8	354048X1	2	Pin	Goupille	Bolzen	Pasador Hendido	



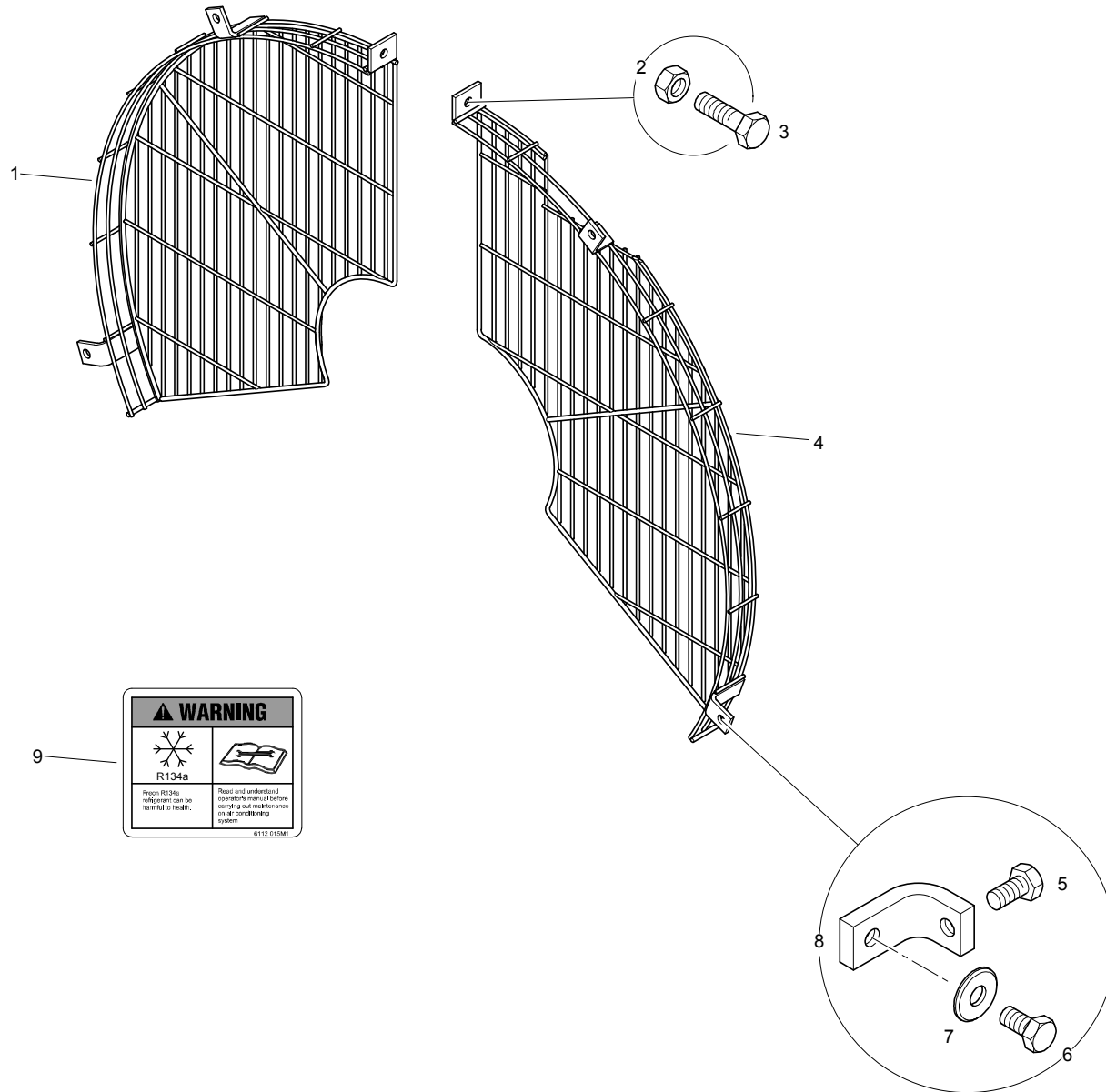
C-95023-01.1-A



Item	Part No.	Qty.	English	French	German	Spanish	Remarks
1	6110182M2	1	Guard-Rh Fan	Protecteur	Schutz	Rejilla	
2	1441500X1	1	Nut M6 Z5 Nyloc	Ecrou	Flachmutter M6	Tuerca De Retención	
3	339666X1	1	Bolt M6-20 Z5f	Boulon M6 X 20	Maschschraube Metr M	Tornillo	
4	6110183M2	1	Fan Guard LH	Protecteur	Schutz	Rejilla	
5	391074X1	4	Bolt, Hex. - M6 X 12	Goupille	Sechskantschraube	Tornillo	
6	391074X1	4	Bolt, Hex. - M6 X 12	Goupille	Sechskantschraube	Tornillo	
7	391038X1	4	Washer M6 - Large Zinc Hardened	Rondelle	Scheibe	Arandela	
8	3517435M2	4	Bracket Fan Guard	Support	Haltevorrichtung	Soporte De Fijación	



C-95024-01.1-A

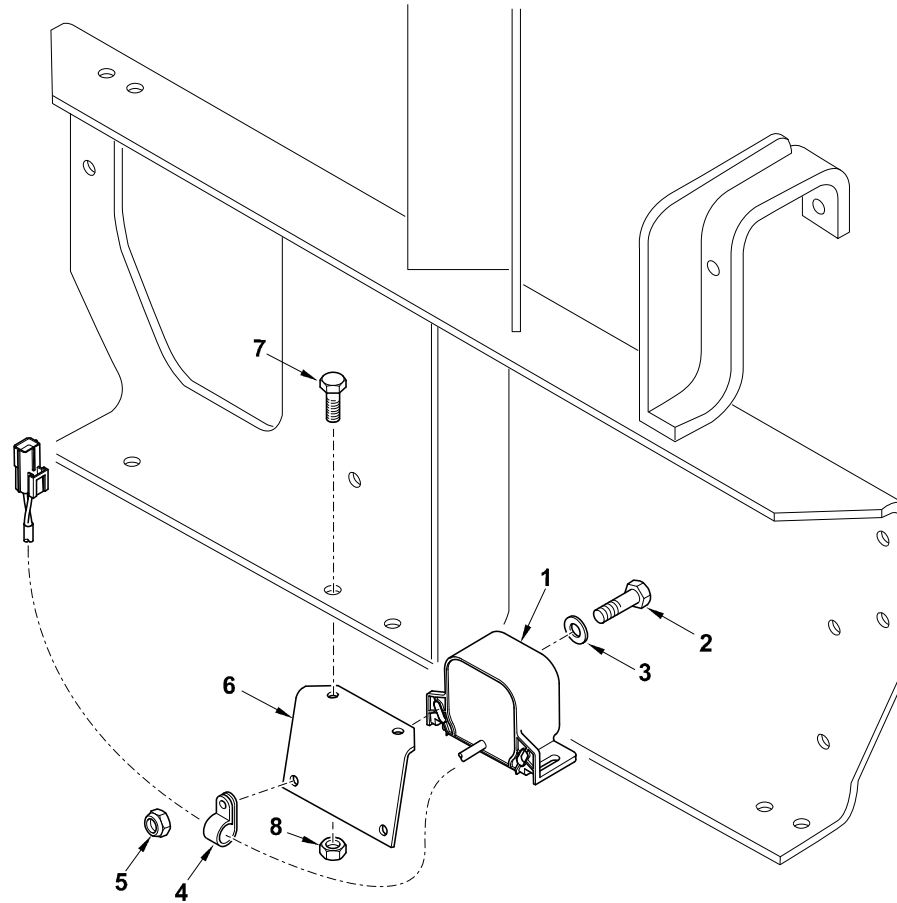


▲ WARNING	
 R134a	
From R134a refrigerant can be harmful to health.	Read and understand operator's manual before carrying out maintenance on air conditioning system.
<small>0112 035M</small>	

Item	Part No.	Qty.	English	French	German	Spanish	Remarks
1	6110182M2	1	Guard-Rh Fan	Protecteur	Schutz	Rejilla	
2	1441500X1	1	Nut M6 Z5 Nyloc	Ecrou	Flachmutter M6	Tuerca De Retención	
3	339666X1	1	Bolt M6-20 Z5f	Boulon M6 X 20	Maschschraube Metr M	Tornillo	
4	6110579M1	1	Fan Guard LH (With Air-Con)	Garde	Schutzvorr	Rejilla	
5	391074X1	4	Bolt, Hex. - M6 X 12	Goupille	Sechskantschraube	Tornillo	
6	391074X1	4	Bolt, Hex. - M6 X 12	Goupille	Sechskantschraube	Tornillo	
7	391038X1	4	Washer M6 - Large Zinc Hardened	Rondelle	Scheibe	Arandela	
8	3517435M2	4	Bracket Fan Guard	Support	Haltevorrichtung	Soporte De Fijación	
9	6112015M1	3	Decal - Air Con - Ansi	Adhésif	Aufkleber	Adhesivo	



C-95025-01.1-B

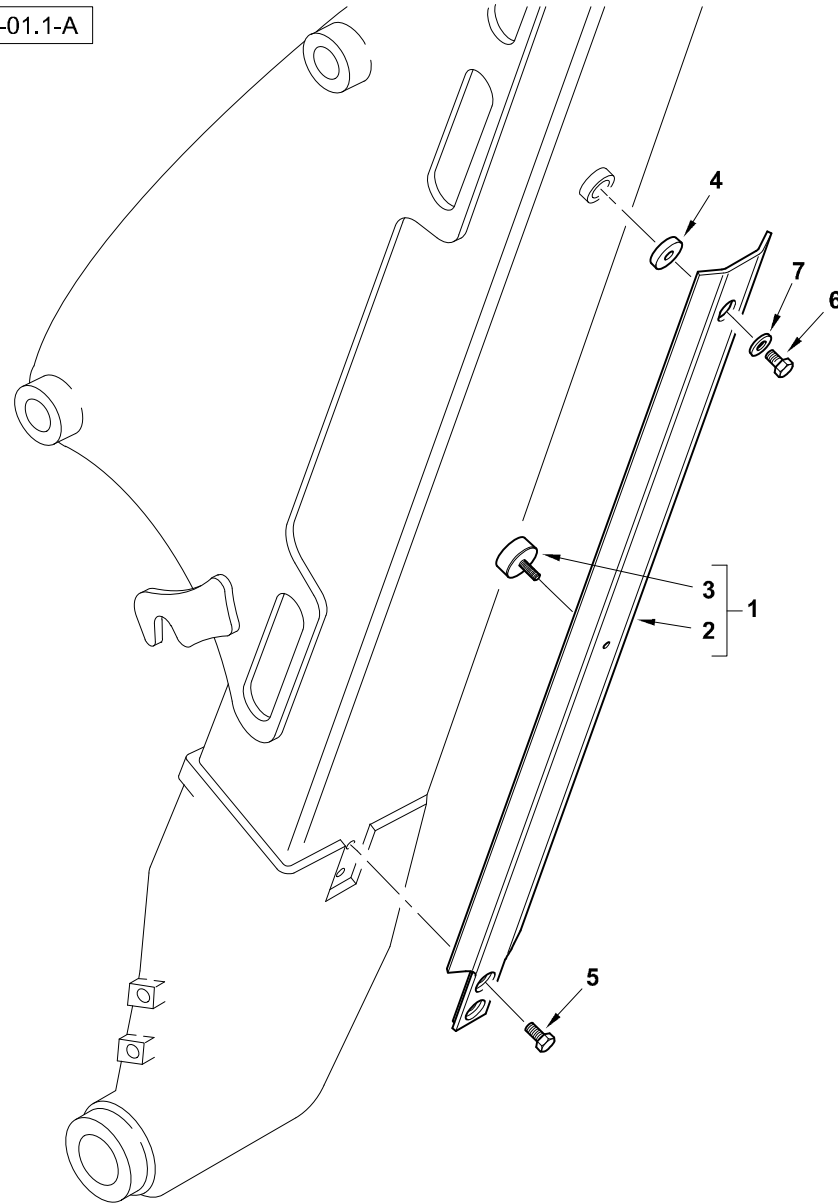




Item	Part No.	Qty.	English	French	German	Spanish	Remarks
1	6114877M91	1	Reverse Alarm	Reverse Alarm	Reverse Alarm	Reverse Alarm	
2	339666X1	2	Bolt M6-20 Z5f	Boulon M6 X 20	Maschschraube Metr M	Tornillo	
3	390971X1	2	Washer M6-12-1 Zwl	Rondelle - M6	Scheibe - M6	Arandela	
4	3517114M2	1	P - Clip	Collier De Fixation	Befestigungsschelle	Argolla De Fijación	
5	1441500X1	2	Nut M6 Z5 Nyloc	Ecrou	Flachmutter M6	Tuerca De Retención	
6	6102972M1	1	Bracket-Reverse Alarm	Support	Haltevorrichtung	Pata De Fijación	
6	T101214	1	Bracket - Reverse Alarm	Support Fixation	Haltearm	Soporte	
7	339666X1	2	Bolt M6-20 Z5f	Boulon M6 X 20	Maschschraube Metr M	Tornillo	
8	1441500X1	2	Nut M6 Z5 Nyloc	Ecrou	Flachmutter M6	Tuerca De Retención	

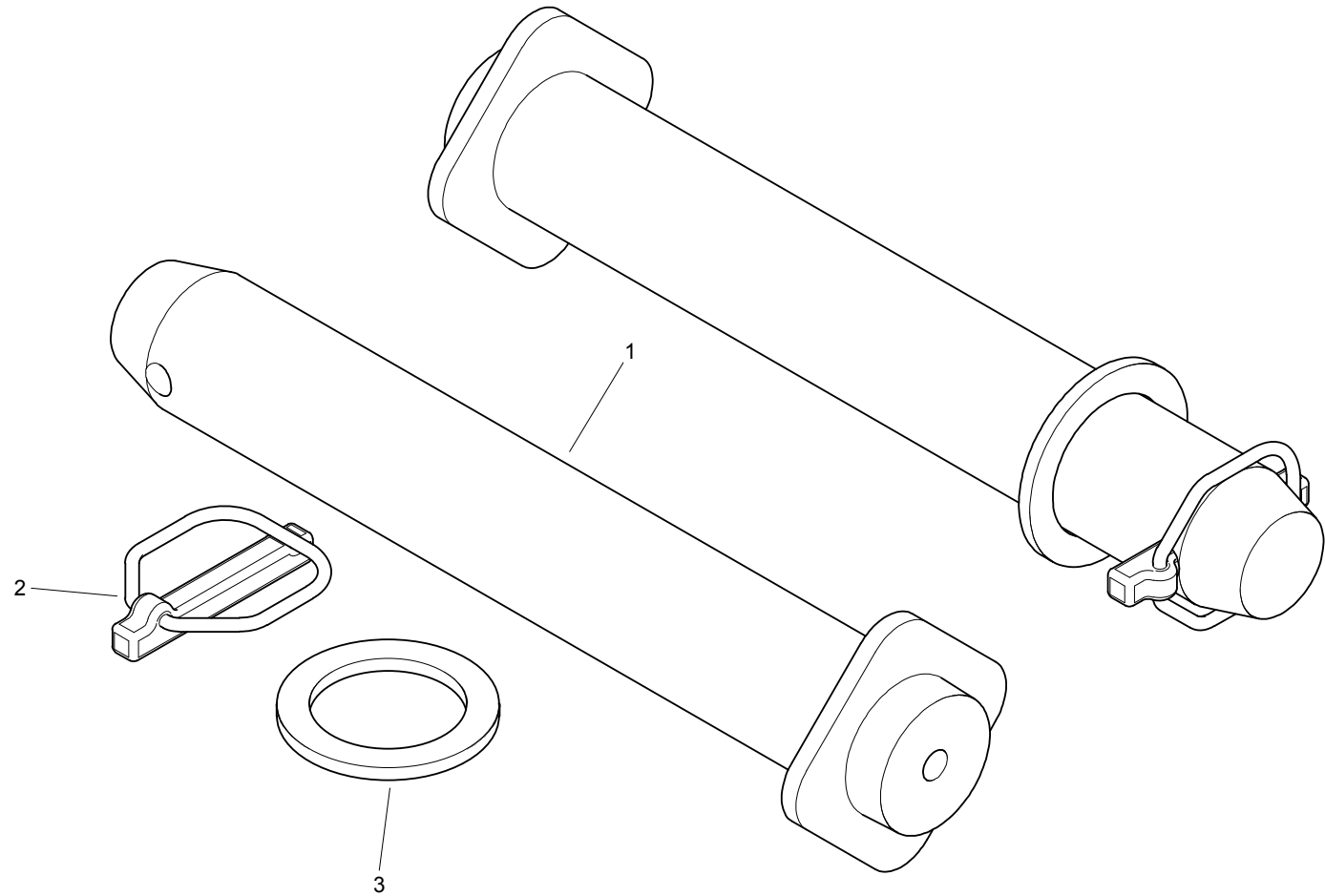


C-98186-01.1-A



Item	Part No.	Qty.	English	French	German	Spanish	Remarks
1	6110712M91	1	Guard - Boom W/Assy	Garde	Schutzvorr	Protector, Conj.	
2	#GUARD	1	Guard	Guard	Guard	Guard	Ref. 1
3	6110763M1	1	Buffer Rubber	Butoir	Puffer	Bloque De Caucho	
4	6110843M1	1	Washer - Boom Guard 45mm Dia- Zinc Plate	Rondelle	Unterlegscheibe	Arandela	
5	3009505X1	2	Hex. Bolt, M12 X 25 - Coarse	Boulon	Bolzen M12 X 25	Perno	
6	339299X1	1	M12x30 Bolt	Vis	Schraube	Tornillo	
7	385363X1	1	Washer, M12 - Hardened	Rondelle M12	Scheibe M12	Arandela	

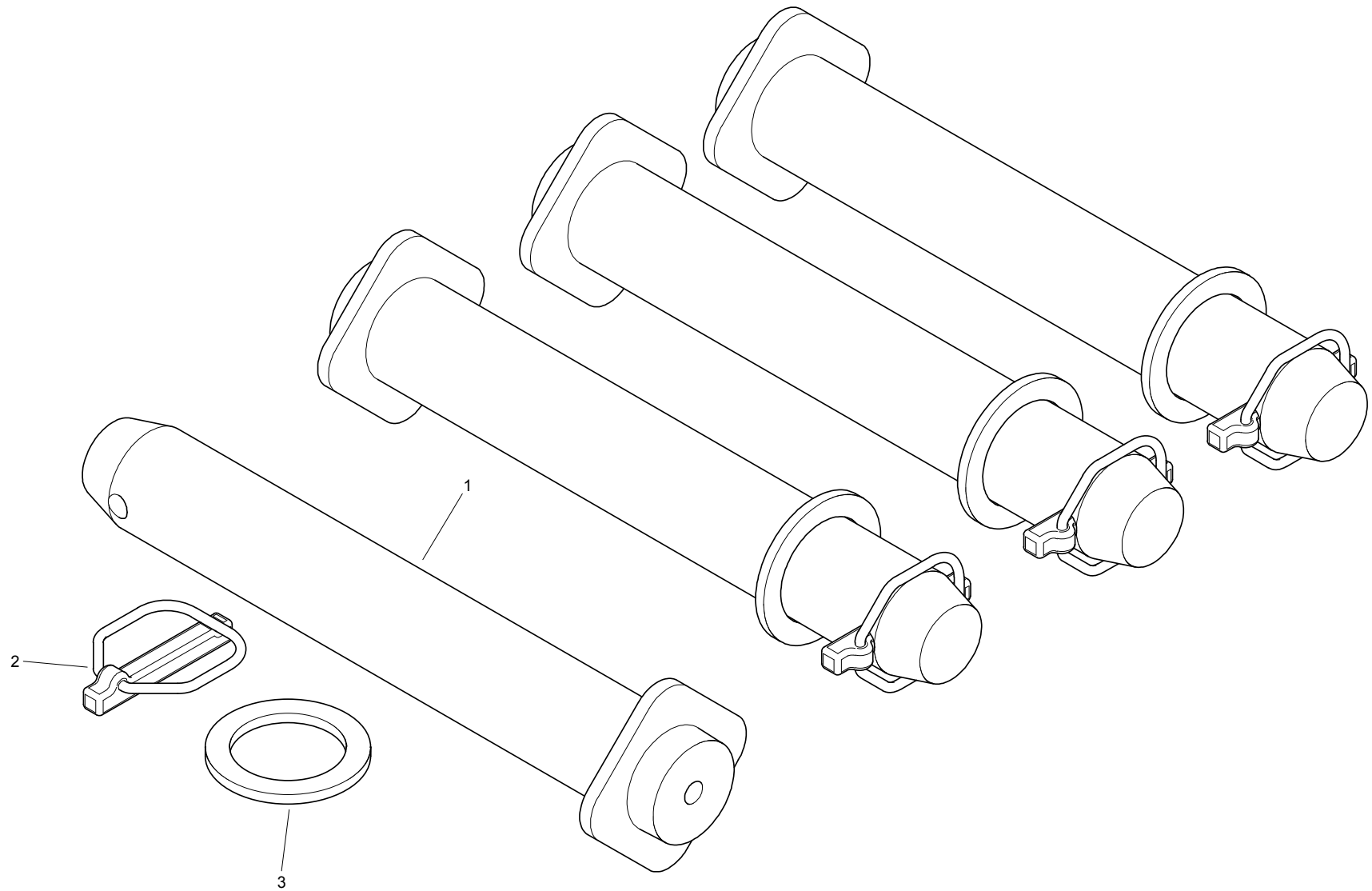
C-98006-01.1-A



<b>Item</b>	<b>Part No.</b>	<b>Qty.</b>	<b>English</b>	<b>French</b>	<b>German</b>	<b>Spanish</b>	<b>Remarks</b>
1	3516519M94	2	Pin & Plate 45-322,5	Axe	Bolzen	Pasador	
2	3516522M91	2	Pin Safety Linch	Goupille D'Arrêt	Klappstecker	Pasador De Parada	
3	3501790M1	2	Washer M46-65-5 Z	Rondelle	Scheibe	Arandela	



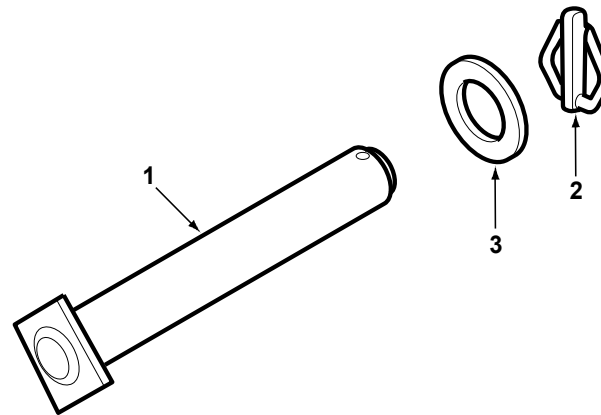
C-98007-01.1-A



<b>Item</b>	<b>Part No.</b>	<b>Qty.</b>	<b>English</b>	<b>French</b>	<b>German</b>	<b>Spanish</b>	<b>Remarks</b>
1	3516519M94	4	Pin & Plate 45-322,5	Axe	Bolzen	Pasador	
2	3516522M91	4	Pin Safety Linch	Goupille D'Arrêt	Klappstecker	Pasador De Parada	
3	3501790M1	4	Washer M46-65-5 Z	Rondelle	Scheibe	Arandela	



C-98008-01.1-A

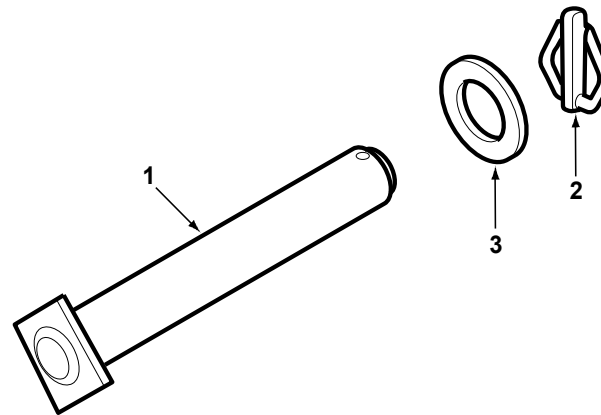




<b>Item</b>	<b>Part No.</b>	<b>Qty.</b>	<b>English</b>	<b>French</b>	<b>German</b>	<b>Spanish</b>	<b>Remarks</b>
1	6106549M1	2	Pin - Bucket Link	Axe	Bolzen	Pasador	
2	375096X1	4	Pin Cotter 10-76	Goupille D'Arrêt	Klappstecker	Pasador De Parada	
3	3501790M1	4	Washer M46-65-5 Z	Rondelle	Scheibe	Arandela	



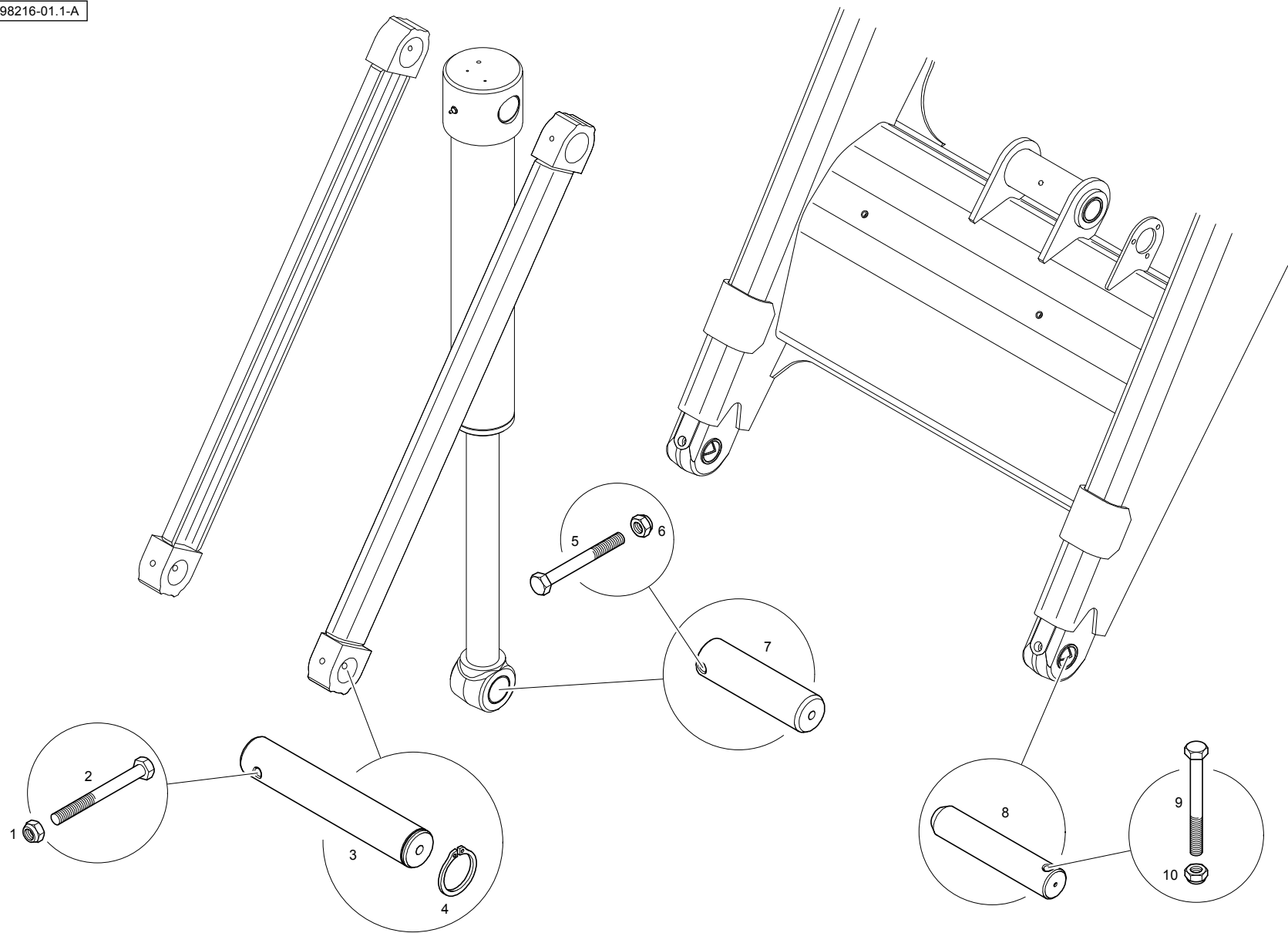
C-98009-01.1-A



<b>Item</b>	<b>Part No.</b>	<b>Qty.</b>	<b>English</b>	<b>French</b>	<b>German</b>	<b>Spanish</b>	<b>Remarks</b>
1	6106549M1	4	Pin - Bucket Link	Axe	Bolzen	Pasador	
2	375096X1	8	Pin Cotter 10-76	Goupille D'Arrêt	Klappstecker	Pasador De Parada	
3	3501790M1	8	Washer M46-65-5 Z	Rondelle	Scheibe	Arandela	



C-98216-01.1-A



Item	Part No.	Qty.	English	French	German	Spanish	Remarks
1	1440329X1	1	Nut, Hex. - Nyloc, M10	Ecrou Blocage	Flachmutter M10	Tuerca De Retención	
2	3501289M1	1	Bolt M10-110 Z5s	Boulon	Sechskantschraube	Tornillo	
3	3521723M5	1	Pin (50 - 288)	Goupille	Bolzen	Pasador	
4	391129X1	1	Circlip - External - 50mm	Segment D ´ Arrêt	Sicherungsring	Anillo De Resorte	
5	3516014M1	1	Bolt - M10 X 90	Boulon - M10 X 90	Maschschraube M10	Tornillo	
6	1440329X1	1	Nut, Hex. - Nyloc, M10	Ecrou Blocage	Flachmutter M10	Tuerca De Retención	
7	6106216M1	1	Pin-Ldr Bucket/Ram	Goupille	Bolzen	Pasador	
8	3520042M5	2	Pin	Goupille	Bolzen	Pasador	
9	3516014M1	2	Bolt - M10 X 90	Boulon - M10 X 90	Maschschraube M10	Tornillo	
10	1440329X1	2	Nut, Hex. - Nyloc, M10	Ecrou Blocage	Flachmutter M10	Tuerca De Retención	



**Not Illustrated**

**Non Illustrée**

**Nicht Abgebildet**

**Non Illustrato**

**No Ilustrado**

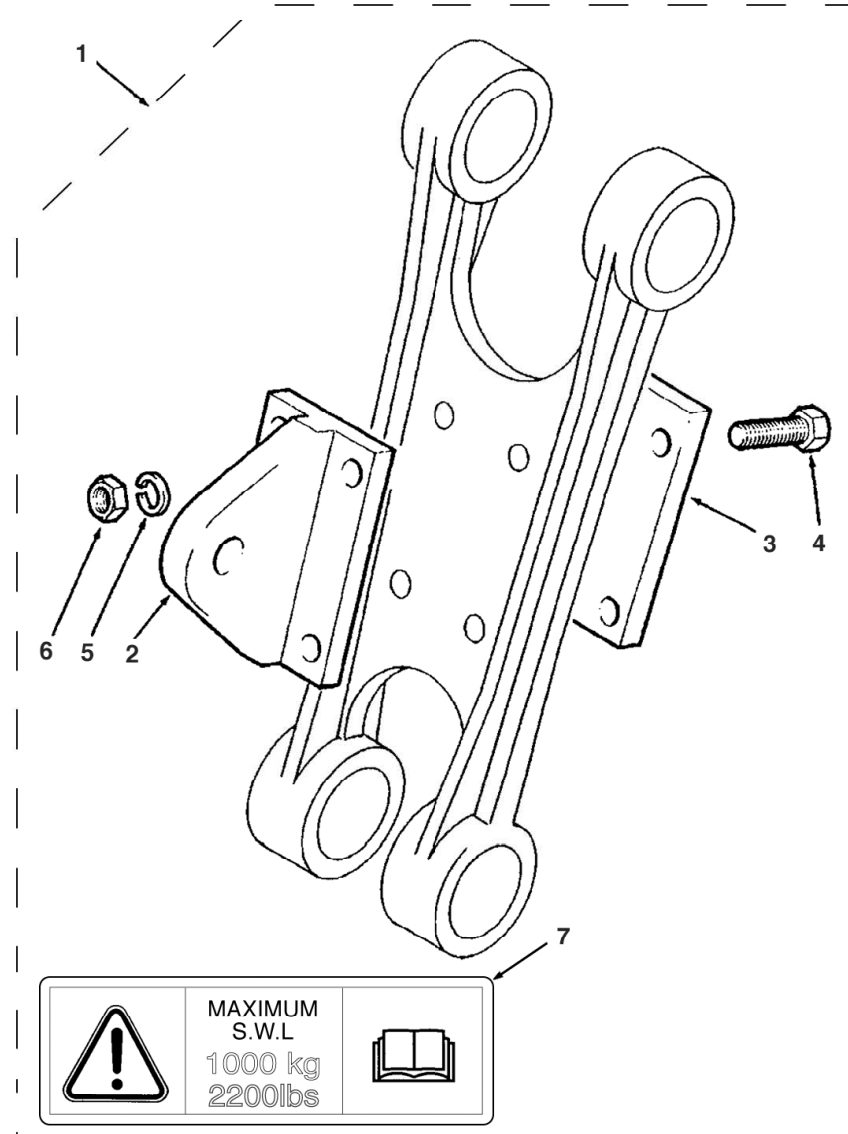
---

Item	Part No.	Qty.	English	French	German	Spanish	Remarks
------	----------	------	---------	--------	--------	---------	---------

---



C-98020-01.1-B

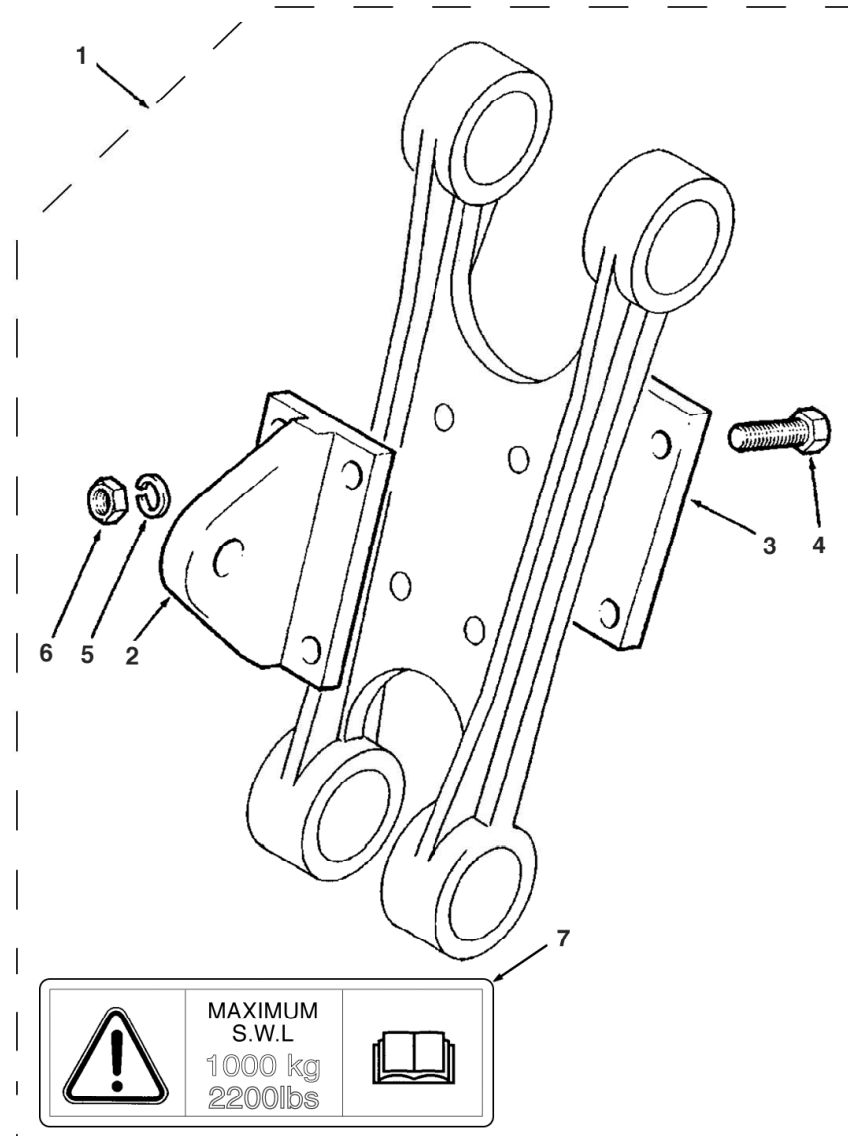




Item	Part No.	Qty.	English	French	German	Spanish	Remarks
1	#KIT, PARTS	0	Kit, Parts	Kit, Parts	Kit, Parts	Kit, Parts	
2	3511123M92	1	Craning Bracket W/Assy	Patte Fixation	Halter	Ojo	
3	3517714M1	1	Plate Craning	Plaque	Platte	Placa	
4	3009511X1	4	Bolt, Hex. - M12 X 55	Goupille	Bolzen M12 X 55	Perno	
5	339369X1	4	Washer M12-22-2 Zsp	Rondelle Frein	Federring - M12	Arandela De Freno	
6	3009695X1	4	Nut M12-1.75 Z5 Norm	Ecrou Métrique	Mutter Metrisch- M12	Tuerca	
7	6102194M1	2	Decal - 1000kg Safe Working Load	Adhésif	Aufkleber	Adhesivo	



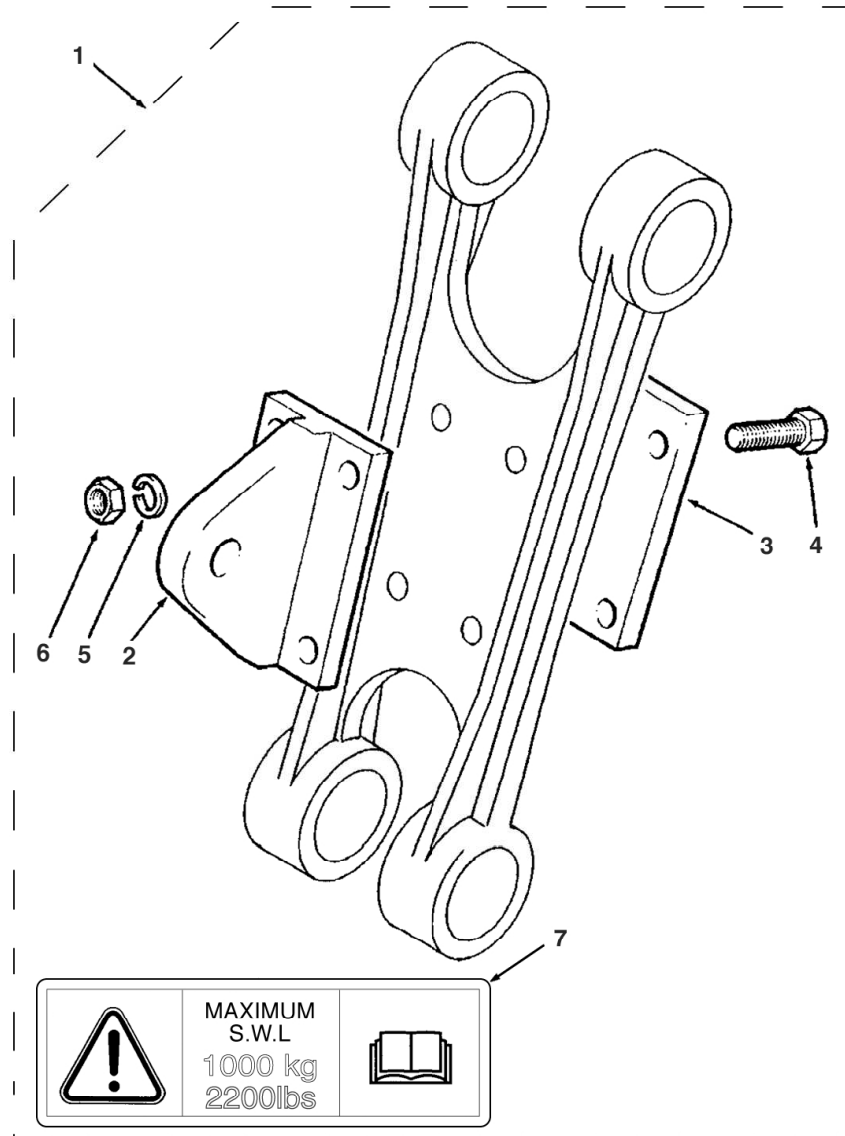
C-98021-01.1-B



Item	Part No.	Qty.	English	French	German	Spanish	Remarks
1	#KIT, PARTS	0	Kit, Parts	Kit, Parts	Kit, Parts	Kit, Parts	
2	3517439M91	1	Craning Bracket	Patte Fixation	Halter	Ojo	
3	3517714M1	1	Plate Craning	Plaque	Platte	Placa	
4	3009511X1	4	Bolt, Hex. - M12 X 55	Goupille	Bolzen M12 X 55	Perno	
5	339369X1	4	Washer M12-22-2 Zsp	Rondelle Frein	Federring - M12	Arandela De Freno	
6	3009695X1	4	Nut M12-1.75 Z5 Norm	Ecrou Métrique	Mutter Metrisch- M12	Tuerca	
7	6102194M1	2	Decal - 1000kg Safe Working Load	Adhésif	Aufkleber	Adhesivo	



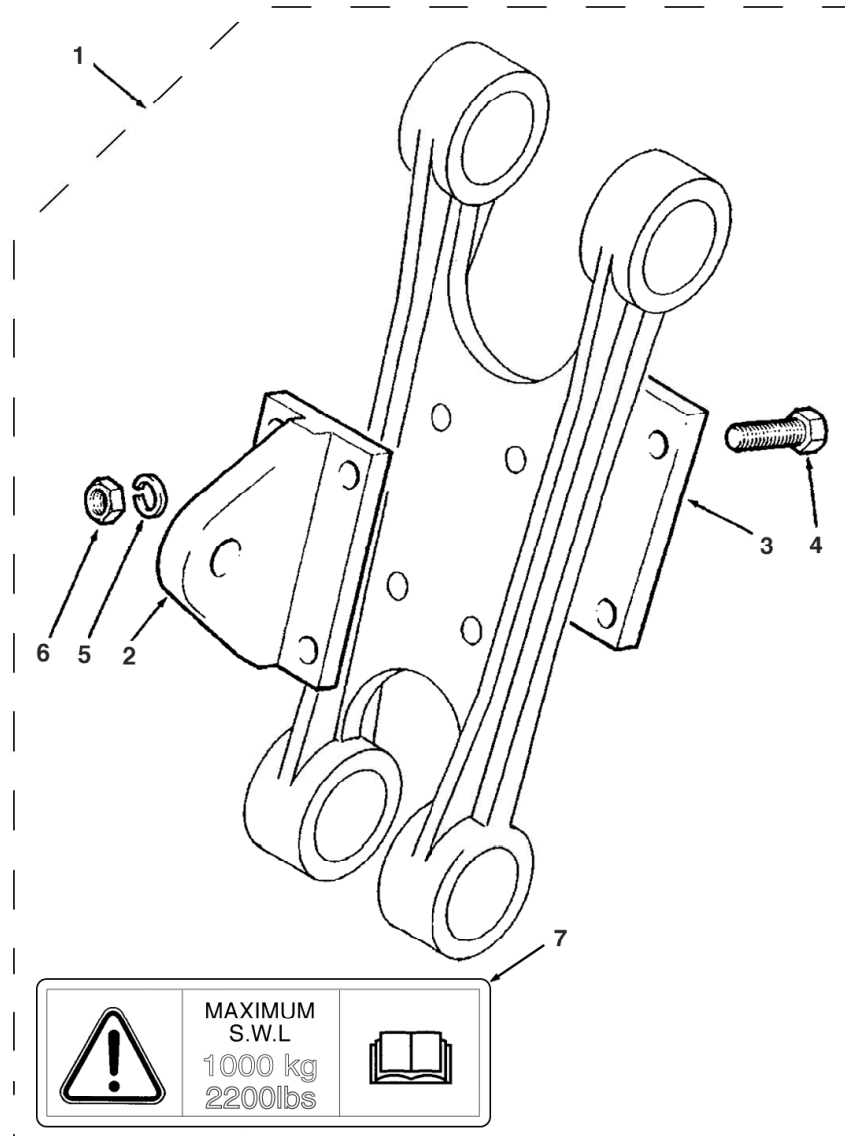
C-98022-01.1-B



Item	Part No.	Qty.	English	French	German	Spanish	Remarks
1	#KIT, PARTS	0	Kit, Parts	Kit, Parts	Kit, Parts	Kit, Parts	
2	6108143M91	1	Craning Bracket White Ss	Patte Fixation	Haltearm	Ojo	
3	6108015M1	1	Plate, Craning Bracket - Terex White	Plaque	Platte	Placa	
4	3009511X1	4	Bolt, Hex. - M12 X 55	Goupille	Bolzen M12 X 55	Perno	
5	339369X1	4	Washer M12-22-2 Zsp	Rondelle Frein	Federring - M12	Arandela De Freno	
6	3009695X1	4	Nut M12-1.75 Z5 Norm	Ecrou Métrique	Mutter Metrisch- M12	Tuerca	
7	6102194M1	2	Decal - 1000kg Safe Working Load	Adhésif	Aufkleber	Adhesivo	



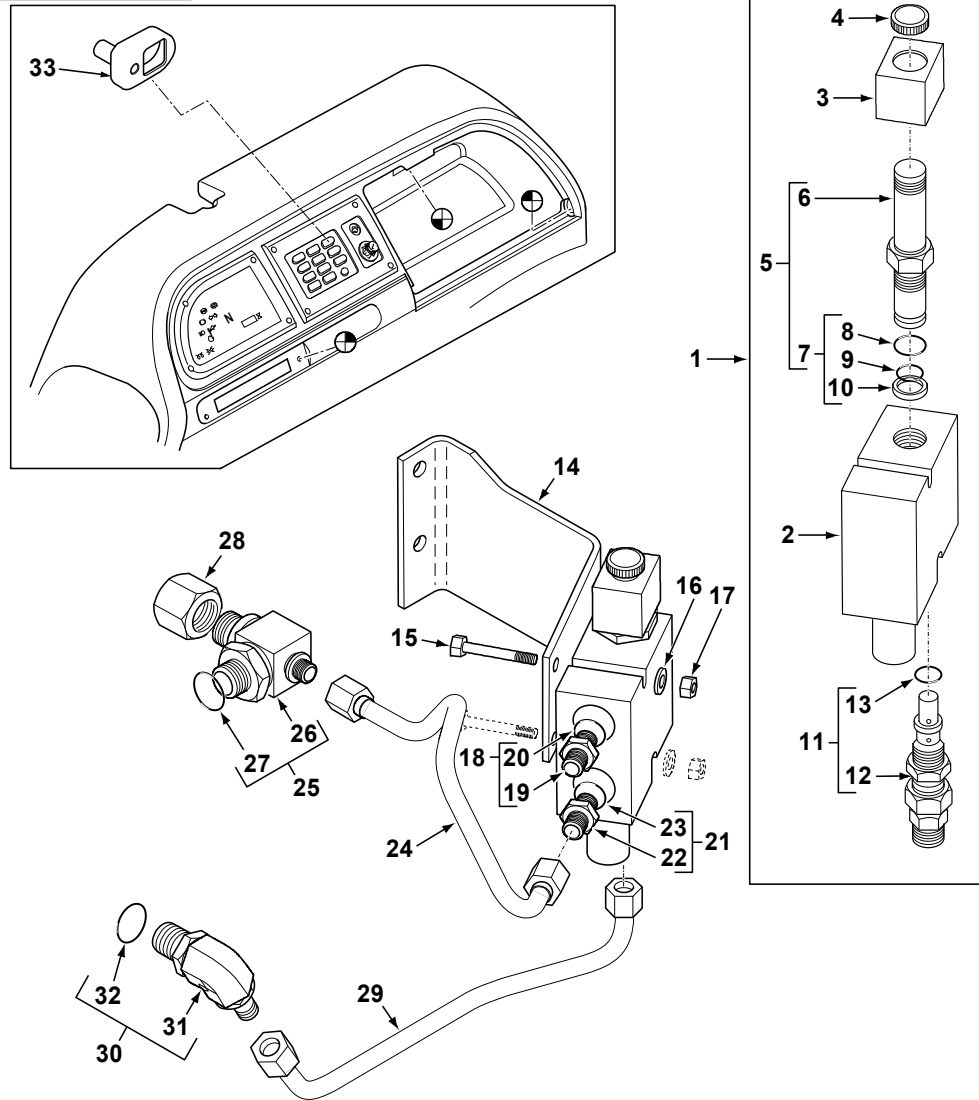
C-98023-01.1-B



	<p>MAXIMUM S.W.L 1000 kg 2200lbs</p>	
---	--	---

Item	Part No.	Qty.	English	French	German	Spanish	Remarks
1	#KIT, PARTS	0	Kit, Parts	Kit, Parts	Kit, Parts	Kit, Parts	
2	6108013M91	1	Craning Bracket W/Assy - Terex White	Patte Fixation	Halter	Ojo	
3	6108015M1	1	Plate, Craning Bracket - Terex White	Plaque	Platte	Placa	
4	3009511X1	4	Bolt, Hex. - M12 X 55	Goupille	Bolzen M12 X 55	Perno	
5	339369X1	4	Washer M12-22-2 Zsp	Rondelle Frein	Federring - M12	Arandela De Freno	
6	3009695X1	4	Nut M12-1.75 Z5 Norm	Ecrou Métrique	Mutter Metrisch- M12	Tuerca	
7	6102194M1	2	Decal - 1000kg Safe Working Load	Adhésif	Aufkleber	Adhesivo	

C-98002-01.1-A

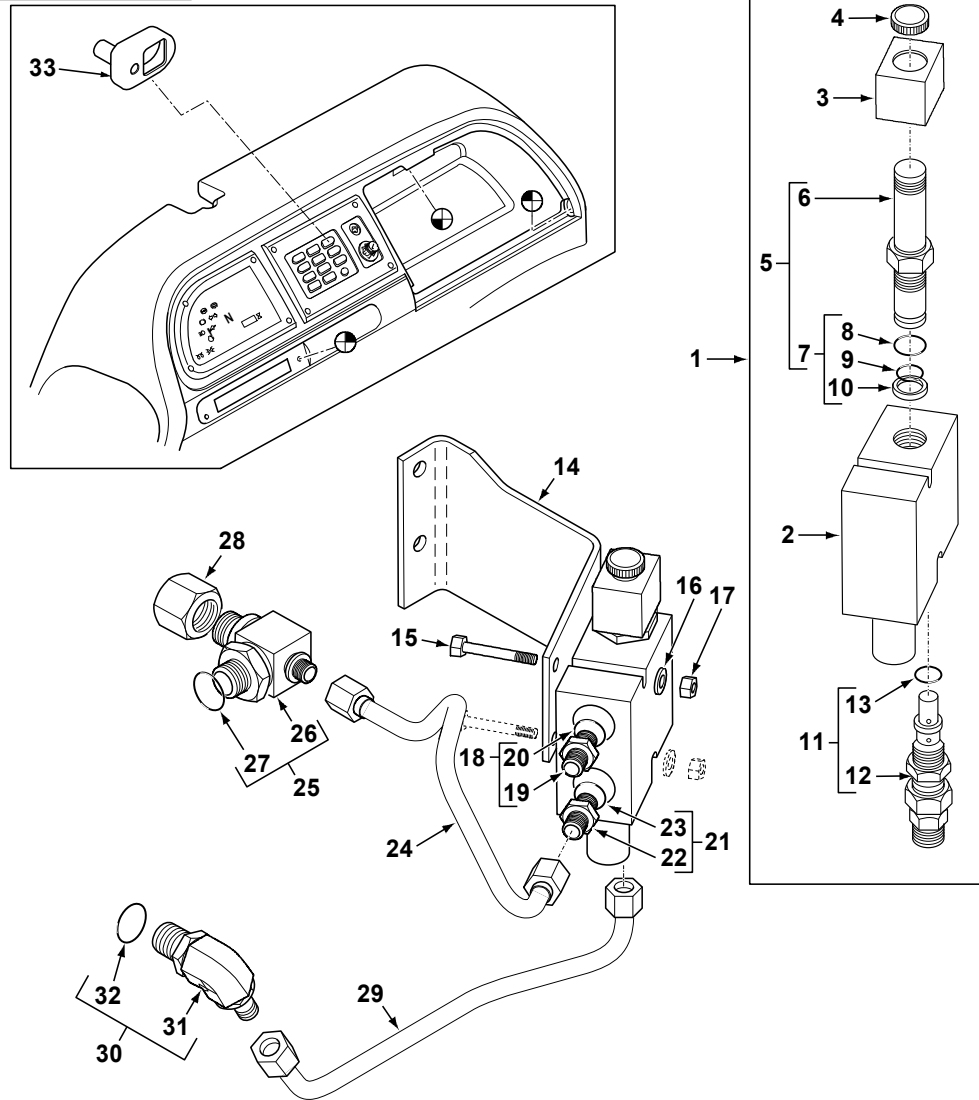




Item	Part No.	Qty.	English	French	German	Spanish	Remarks
1	6102082M92	1	Valve-Craning	Distributeur	Ventil, Kpl	Electroválvula	
2	#BODY	1	Body	Body	Body	Body	Ref. 1
3	6191096M91	1	Coil Assy.	Bobine	Wicklung, Spule	Bobina	
4	#NUT	1	Nut	Ecrou	Mutter	Tuerca	Ref. 1
5	6190777M91	1	Cartridge	Cartouche	Patrone	Cajoncillo	
6	#SPOOL	1	Spool	Spool	Spool	Spool	Ref. 5
7	6190778M91	1	Package Seals	Pochette De Joints	Dichtungssatz	Juego De Juntas	
8	#O-RING	1	O-Ring	Joint Torique	O-Ring	Junta Tórica	Ref. 7
9	#O-RING	1	O-Ring	Joint Torique	O-Ring	Junta Tórica	Ref. 7
10	#RING, BACKUP	1	Ring, Backup	Contre Bague	Stützring	Anilla	Ref. 7
11	6193287M91	1	Valve	Soupape	Ventil	Válvula De Seguridad	395 Bar
12	#VALVE	1	Valve	Soupape	Ventil	Válvula	Ref. 11
13	6190780M91	1	Package Seals	Pochette De Joints	Dichtungssatz	Juego De Juntas	
14	6109357M1	1	Plate - Craning Valve	Patte De Fixation	Halter	Pata De Fijación	
15	390246X1	2	Bolt M8-70	Goupille	Bolzen	Perno	
16	390972X1	2	Washer M8-17-1 Zwl	Rondelle M8	Scheibe - M8	Arandela	
17	394367X1	2	Nut, Hex. - Nyloc, M8	Ecrou Blocage M8	Flachmutter - M8	Tuerca De Retención	
18	365715X91	2	Connector, Hydr.-Straight, 1 1/16 X 7/8	Borne	Doppelnippel	Conexión, Conj.	
19	#CONNECTOR	1	Connector	Connector	Connector	Connector	Ref. 18
20	835025M1	1	Ring O	Joint Torique	O Ring	Junta De Tipo O	
21	358743X91	1	Connector & O Ring	Borne	Doppelnippel	Unión	
22	#CONNECTOR	1	Connector	Connector	Connector	Connector	Ref. 21
23	831497M1	1	O-Ring	Joint Torique	O-Ring	Junta De Tipo O	
24	6109433M91	1	Tube Assy - Craning Valve	Tuyauterie	Rohrleitung Kplt	Conjunto De Tubería	
25	3521700M91	1	Tee Piece	Te	T-Stück	Te	
26	#TEE	1	Tee	Tee	Tee	Tee	Ref. 25
27	835025M1	1	Ring O	Joint Torique	O Ring	Junta De Tipo O	
28	356582X1	1	Cap - 37 Deg. Flare	Chapeau	Kappe	Sombbrero	
29	6109435M91	1	Tube Assy - Craning Valve	Tuyauterie	Rohrleitung Kplt	Conjunto De Tubería	
30	368113X91	1	Connector (Cran'g Vlv)	Equerre	Winkelstück	Codo, 90°	



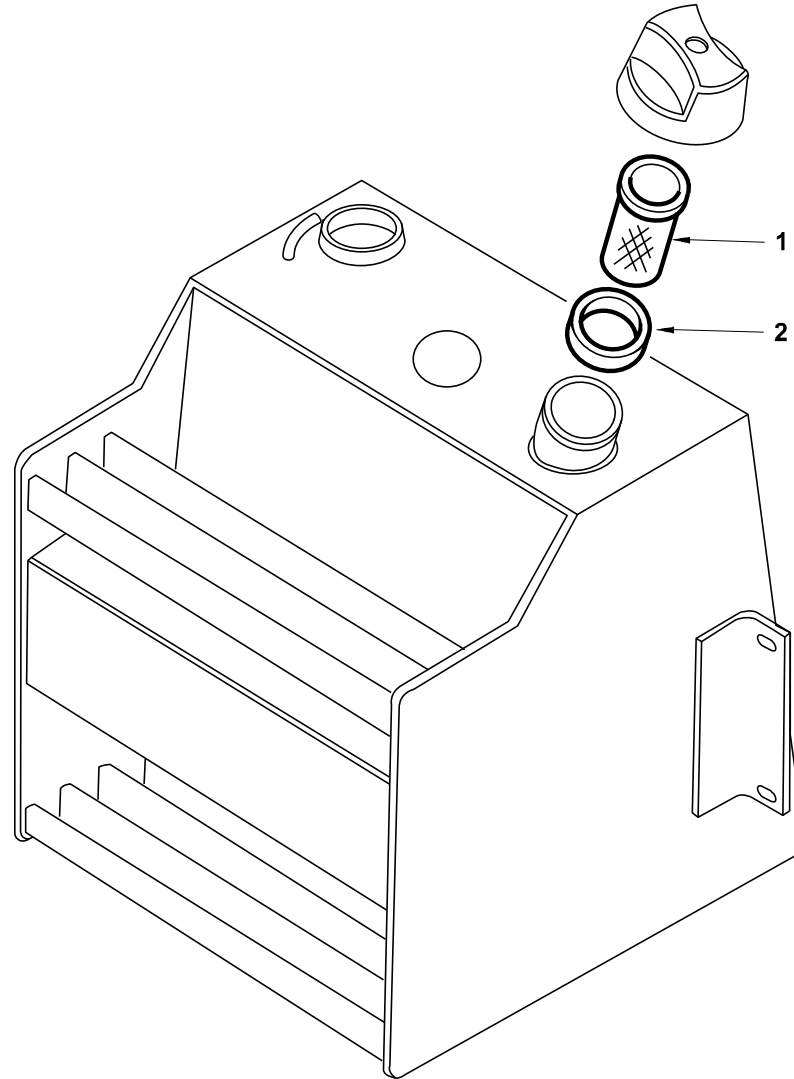
C-98002-01.1-A



<b>Item</b>	<b>Part No.</b>	<b>Qty.</b>	<b>English</b>	<b>French</b>	<b>German</b>	<b>Spanish</b>	<b>Remarks</b>
31	#ELBOW	1	Elbow	Elbow	Elbow	Elbow	Ref. 30
32	835025M1	1	Ring O	Joint Torique	O Ring	Junta De Tipo O	
33	6101777M91	1	Cover Assy. - Switch Operating	Cache	Abdeckung	Tapa	



C-98071-01.1-A



<b>Item</b>	<b>Part No.</b>	<b>Qty.</b>	<b>English</b>	<b>French</b>	<b>German</b>	<b>Spanish</b>	<b>Remarks</b>
1	3518545M1	1	Strainer Assy. - Fuel Tank Neck	Crépine Ass.	Siebelement Kplt	Alcachofa	
2	6106533M1	1	Washer - Fuel Tank Strainer	Rondelle	Scheibe	Arandela	



**Not Illustrated**

**Non Illustrée**

**Nicht Abgebildet**

**Non Illustrato**

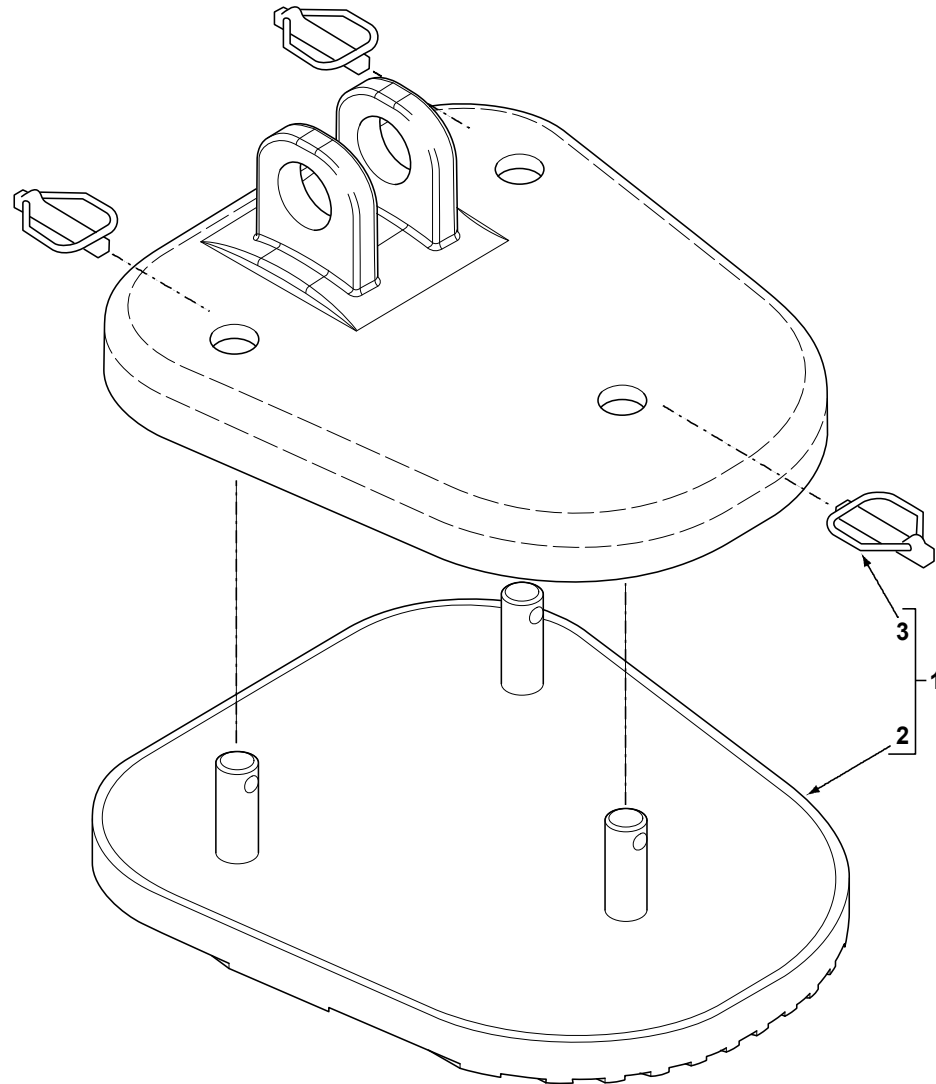
**No Ilustrado**

---

Item	Part No.	Qty.	English	French	German	Spanish	Remarks
------	----------	------	---------	--------	--------	---------	---------

---

C-98110-01.1-A

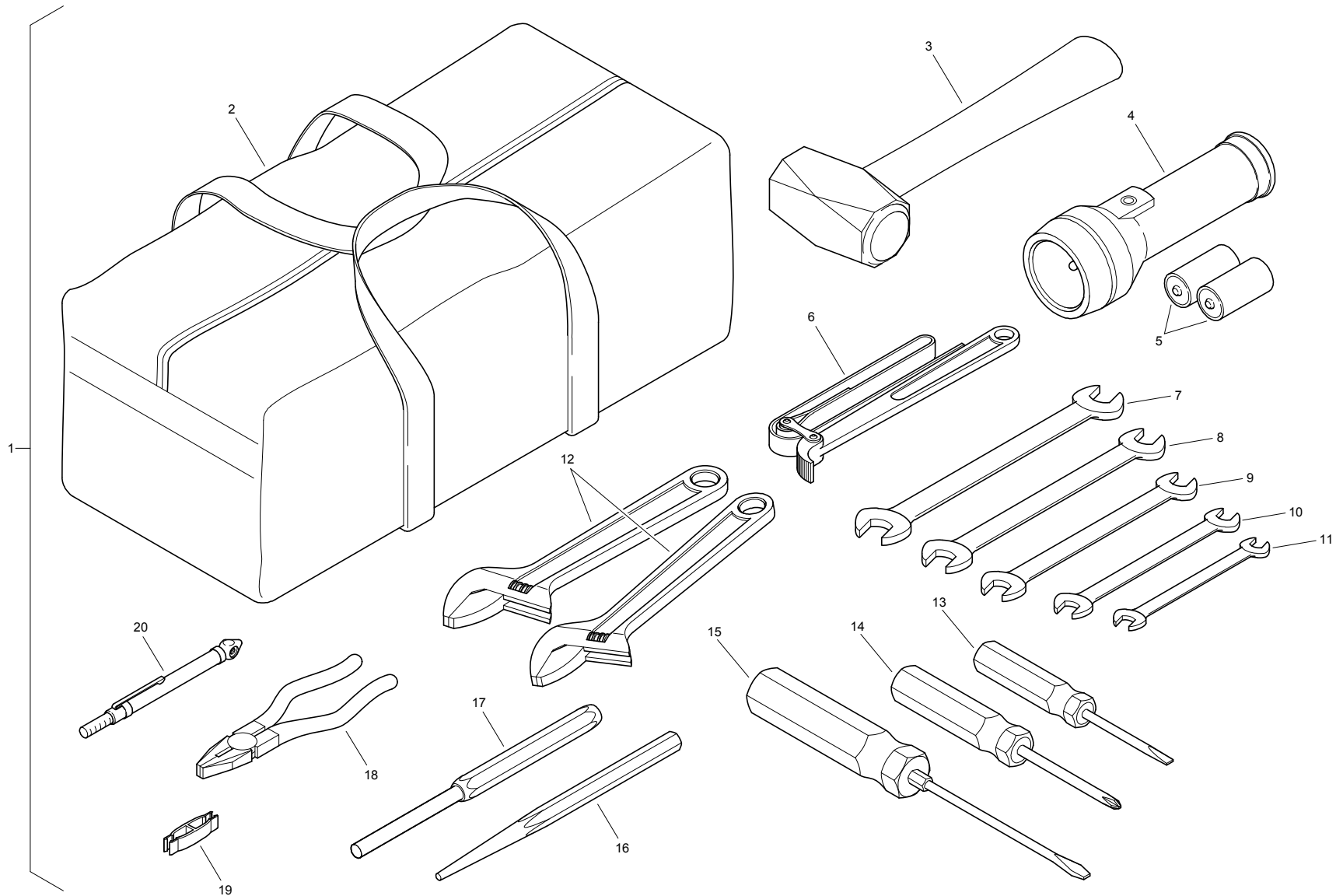




<b>Item</b>	<b>Part No.</b>	<b>Qty.</b>	<b>English</b>	<b>French</b>	<b>German</b>	<b>Spanish</b>	<b>Remarks</b>
1	6102860M92	2	Street Pad - Stabiliser Foot Sideshift	Plaque Antidérapante	Zwischenlage	Cinta Antideslizante	
2	#PAD	1	Pad	Pad	Pad	Pad	Ref.1
3	3516522M91	3	Pin Safety Linch	Goupille D´Arrêt	Klappstecker	Pasador De Parada	



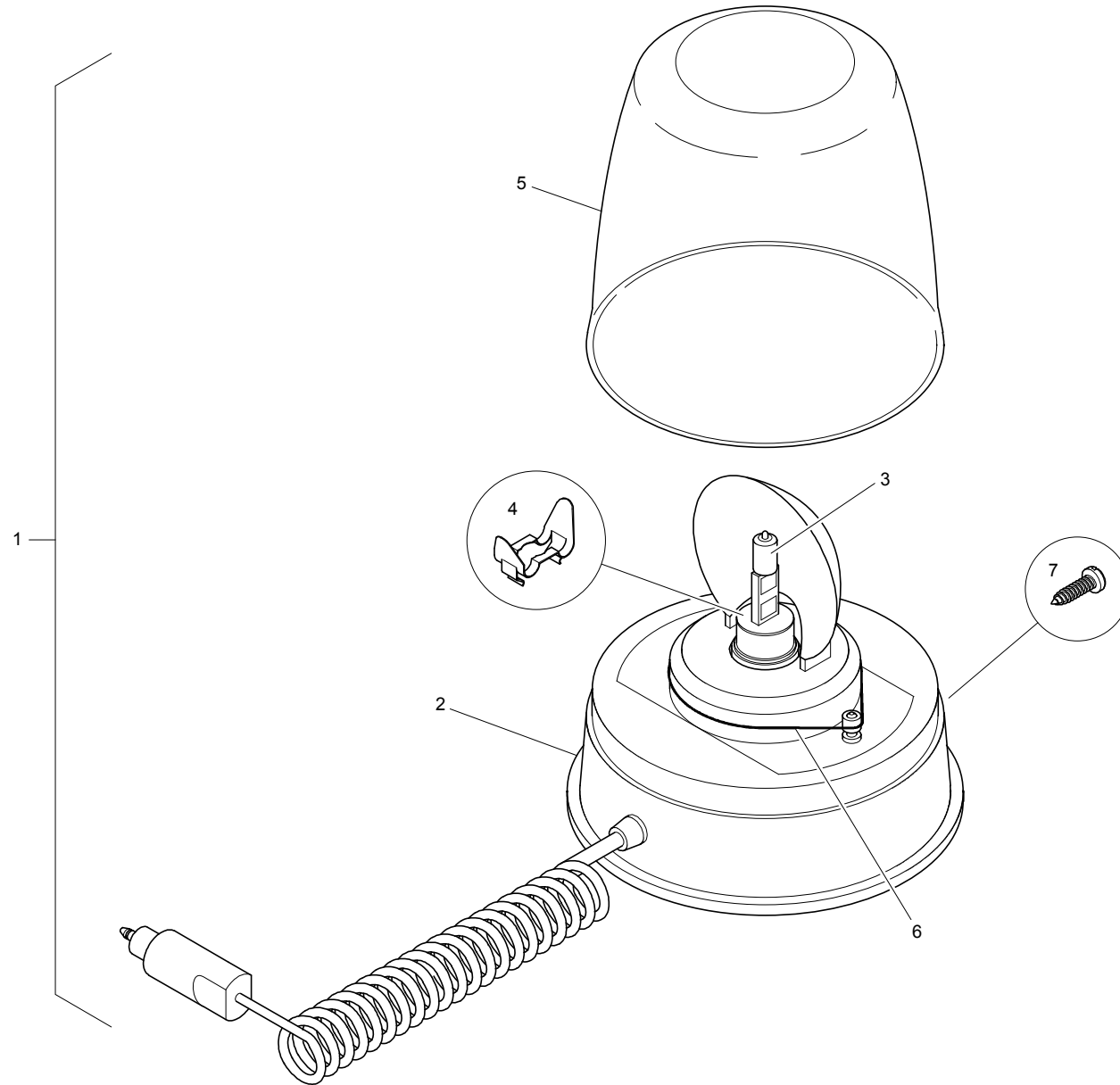
C-98019-01.1-B



Item	Part No.	Qty.	English	French	German	Spanish	Remarks
1	3621190M93	1	Tool Kit - Service	Jeu Outils	Werkzeugsatz	Herramientas	
2	#BAG, TOOL	1	Bag, Tool	Bag, Tool	Bag, Tool	Bag, Tool	Ref. 1
3	#HAMMER	1	Hammer	Hammer	Hammer	Hammer	2 1/2lb Lump Ref. 1
4	#TORCH	1	Torch	Torch	Torch	Torch	Ref. 1
5	#BATTERY	1	Battery	Battery	Battery	Battery	Pair Ref.1
6	#WRENCH	1	Wrench	Wrench	Wrench	Wrench	Oil Filter 100mm Ref. 1
7	#SPANNER	1	Spanner	Spanner	Spanner	Spanner	18 X 19mm Ref. 1
8	#SPANNER	1	Spanner	Spanner	Spanner	Spanner	16 X 17mm Ref. 1
9	#SPANNER	1	Spanner	Spanner	Spanner	Spanner	14 X 15mm Ref. 1
10	#SPANNER	1	Spanner	Spanner	Spanner	Spanner	12 X 13mm Ref. 1
11	#SPANNER	1	Spanner	Spanner	Spanner	Spanner	10 X 11mm Ref. 1
12	#SPANNER	2	Spanner	Spanner	Spanner	Spanner	Adjustable Ref. 1
13	#SCREWDRIVER	1	Screwdriver	Screwdriver	Screwdriver	Screwdriver	Flat Ref. 1
14	#SCREWDRIVER	1	Screwdriver	Screwdriver	Screwdriver	Screwdriver	Flat Ref. 1
15	#SCREWDRIVER	1	Screwdriver	Screwdriver	Screwdriver	Screwdriver	Cross Head Ref. 1
16	#DRIFT	1	Drift	Drift	Drift	Drift	Taper Ref. 1
17	#DRIFT	1	Drift	Drift	Drift	Drift	Parallel Ref. 1
18	#PLIERS	1	Pliers	Pliers	Pliers	Pliers	6" Engineers Ref. 1
19	#FUSE REMOVER	1	Fuse Remover	Fuse Remover	Fuse Remover	Fuse Remover	Ref. 1
20	#GAUGE	1	Gauge	Gauge	Gauge	Gauge	Tyre Pressure Ref. 1



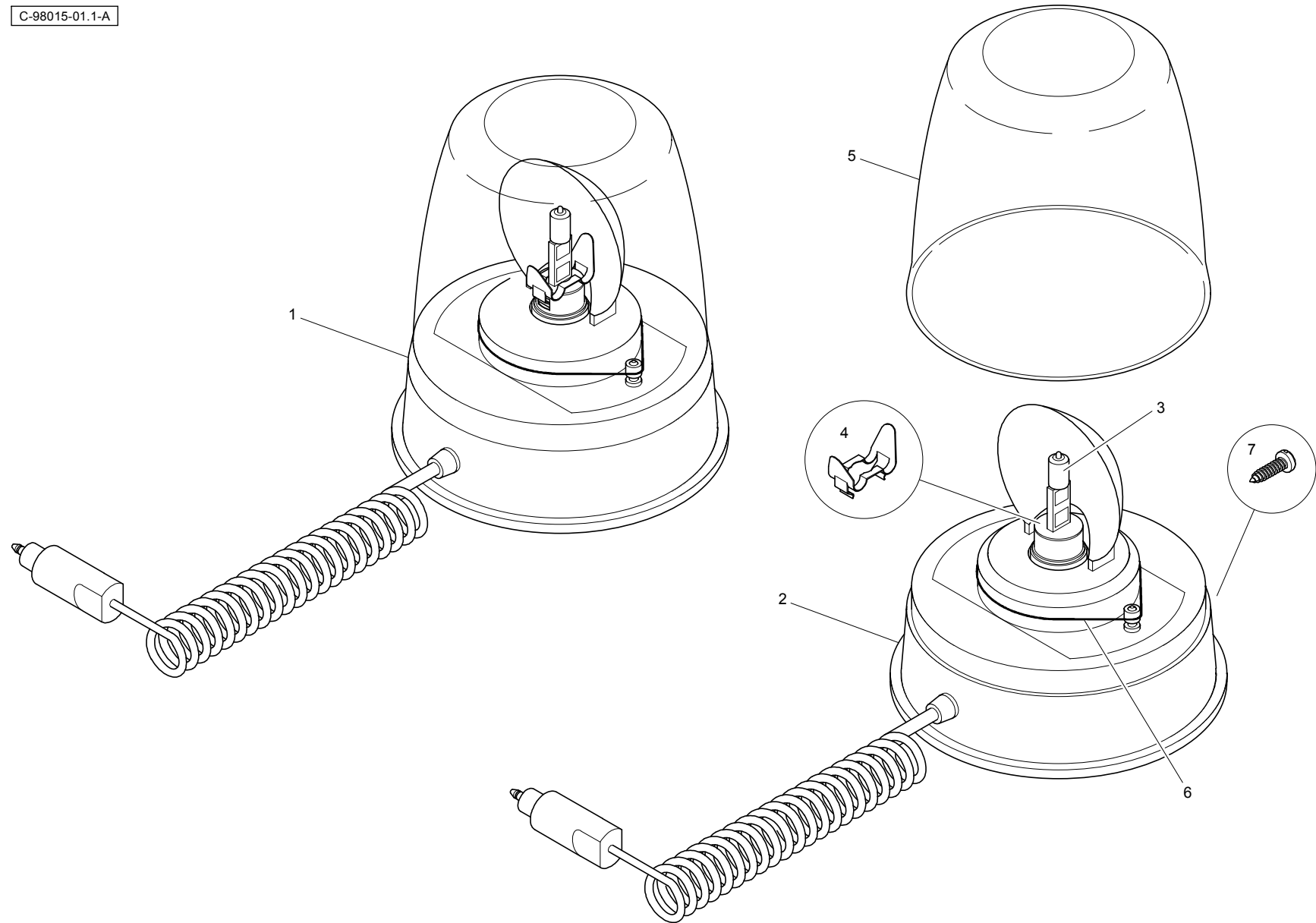
C-98016-01.1-A



Item	Part No.	Qty.	English	French	German	Spanish	Remarks
1	3517622M91	1	Rotating Beacon - Magnetic Fix	Feu Intermittent	Rundumleuchte	Luz Giratoria	
2	#BASE	1	Base	Base	Base	Base	Ref. 1
3	3523689M1	1	Bulb 12v.55w	Lampe	Lampe	Lámpara	
4	6190229M1	1	Clip	Clip	Befestigungsschelle	Soporte	
5	6190227M1	1	Lens	Cabocho	Streuscheibe	Lente	
6	6190228M1	1	Belt	Courroie	Riemen	Correa	
7	365915X1	1	Screw- No 6 X 16 Lg (Iso 8.8) Zinc	Vis	Schraube	Tornillo	



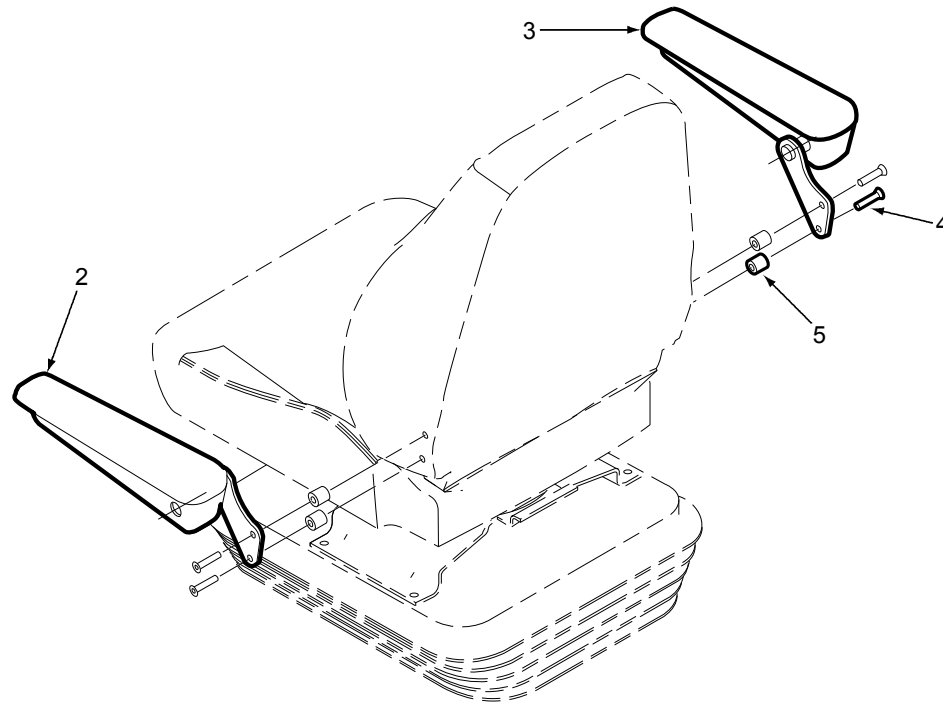
C-98015-01.1-A



Item	Part No.	Qty.	English	French	German	Spanish	Remarks
1	3517622M91	2	Rotating Beacon - Magnetic Fix	Feu Intermittent	Rundumleuchte	Luz Giratoria	
2	#BASE	1	Base	Base	Base	Base	Ref. 1
3	3523689M1	1	Bulb 12v.55w	Lampe	Lampe	Lámpara	
4	6190229M1	1	Clip	Clip	Befestigungsschelle	Soporte	
5	6190227M1	1	Lens	Cabocho	Streuscheibe	Lente	
6	6190228M1	1	Belt	Courroie	Riemen	Correa	
7	365915X1	1	Screw- No 6 X 16 Lg (Iso 8.8) Zinc	Vis	Schraube	Tornillo	



C-98017-01.1-A

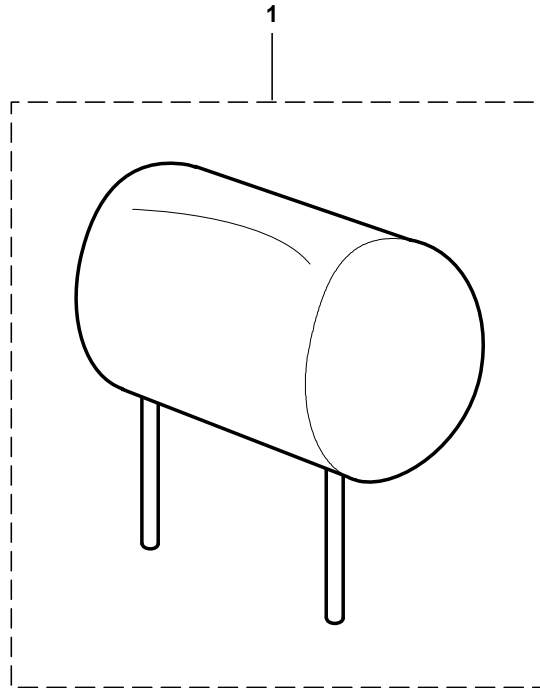




<b>Item</b>	<b>Part No.</b>	<b>Qty.</b>	<b>English</b>	<b>French</b>	<b>German</b>	<b>Spanish</b>	<b>Remarks</b>
1	6102822M93	1	Kit - Seat Armrest	Jeu Accoudoirs	Satz Armlehnen	Juego De Apoyabrazos	
2	6102814M92	1	Armrest Assy. - LH	Accoudoir	Armlehne	Apoyabrazos	
3	6102815M92	1	Armrest Assy. - RH	Accoudoir	Armlehne	Apoyabrazos	
4	6102829M1	4	Screw M8 X 60 - Special, C/Sunk Sock. HD	Vis	Schraube	Tornillo	
5	6107425M1	4	Spacer - Armrest Kit	Entretoise	Distanzstück	Traviesa	



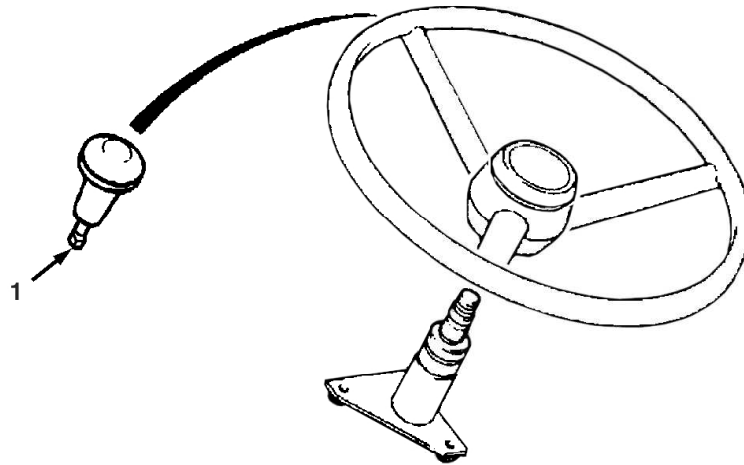
C-98107-01.1-A



<b>Item</b>	<b>Part No.</b>	<b>Qty.</b>	<b>English</b>	<b>French</b>	<b>German</b>	<b>Spanish</b>	<b>Remarks</b>
1	6108913M1	1	Headrest Terex Fabric	Repose Tete	Kopfstutze	Apoya Cabeza	



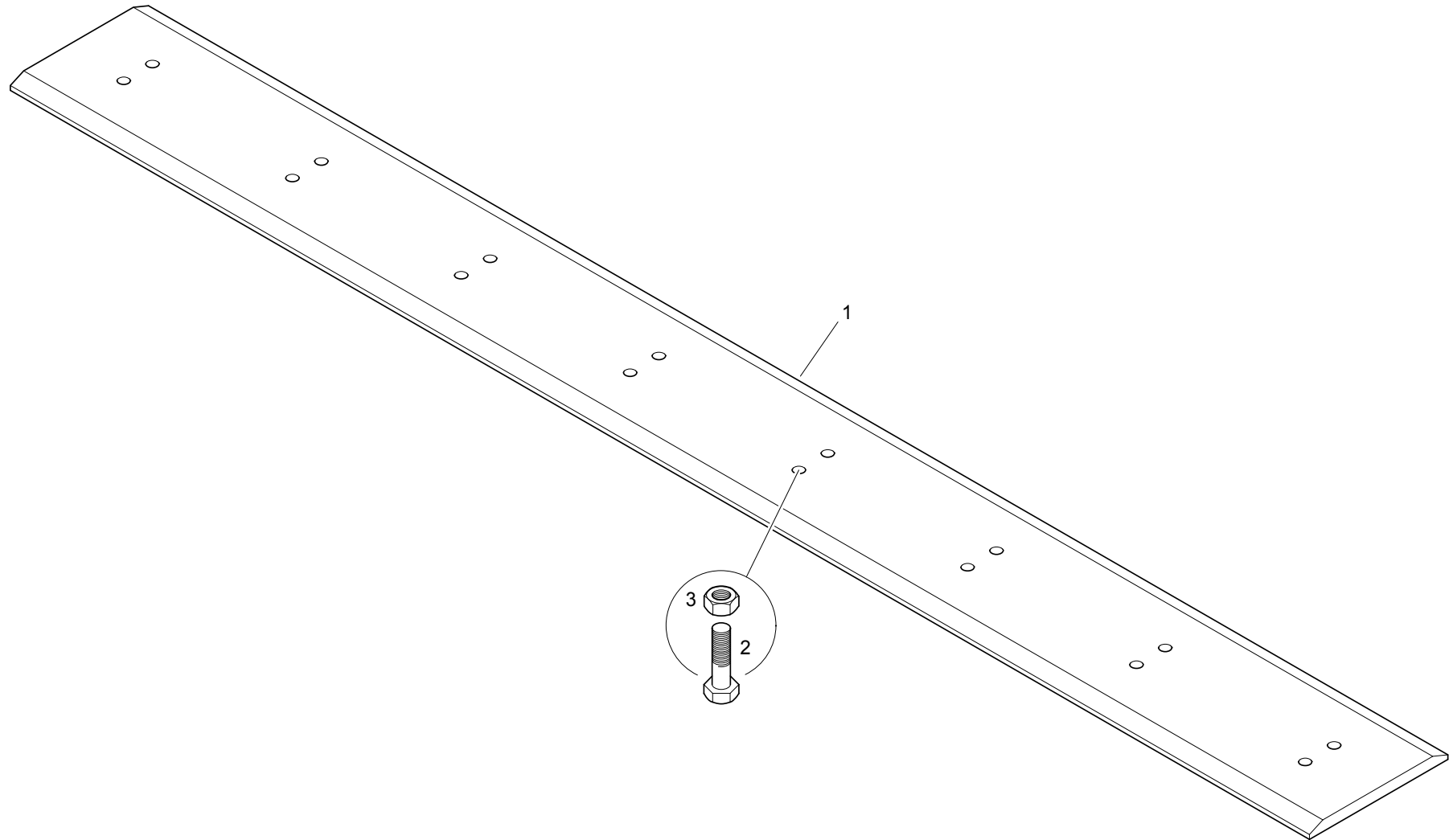
C-98014-01.1-A



<b>Item</b>	<b>Part No.</b>	<b>Qty.</b>	<b>English</b>	<b>French</b>	<b>German</b>	<b>Spanish</b>	<b>Remarks</b>
1	6106163M91	1	Knob-Spinner Steering Wheel	Boule	Kugelknopf	Bola	



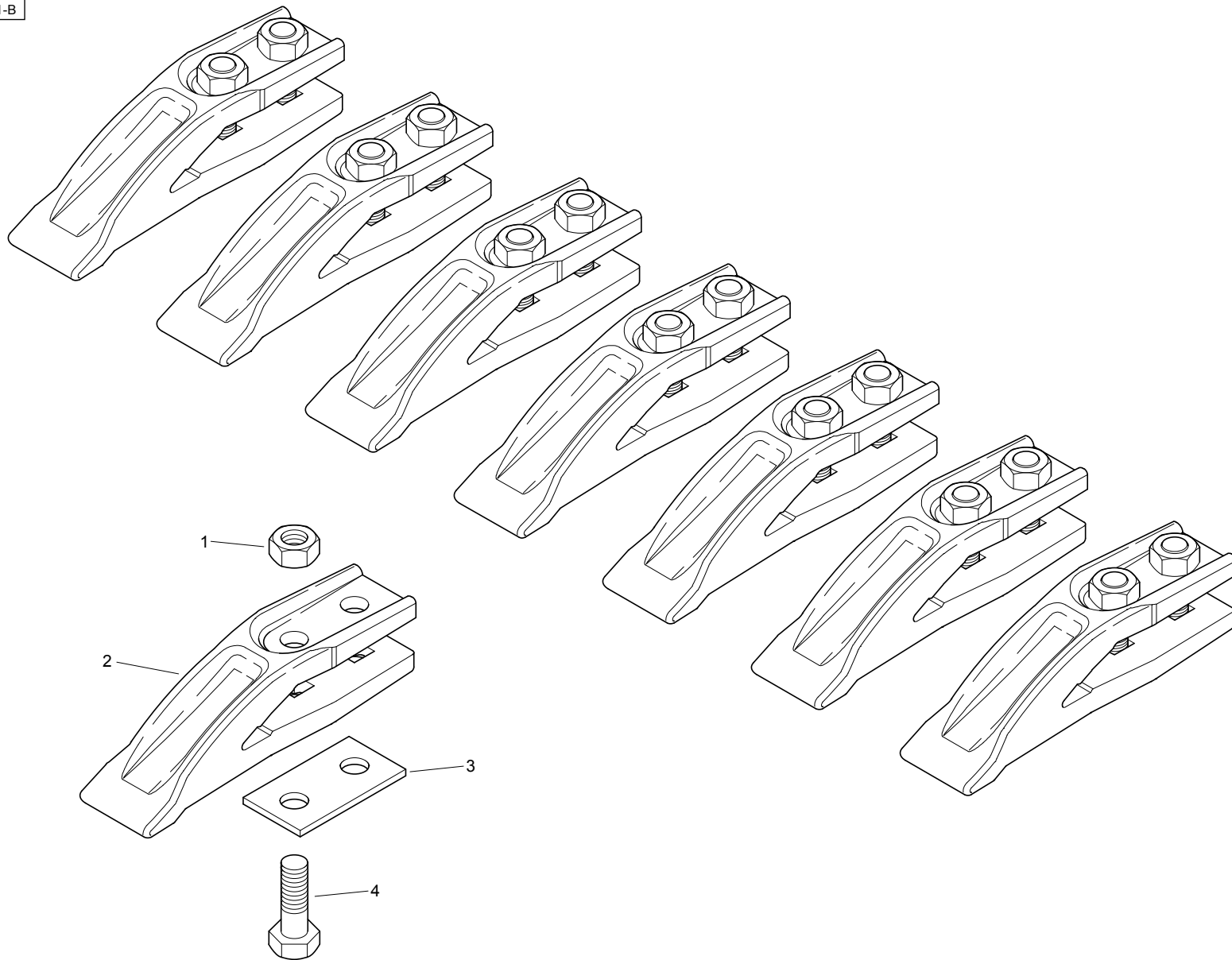
C-98012-01.1-A



<b>Item</b>	<b>Part No.</b>	<b>Qty.</b>	<b>English</b>	<b>French</b>	<b>German</b>	<b>Spanish</b>	<b>Remarks</b>
1	3517383M2	1	Blade, Loader Bucket - 2386mm	Lame D'Attaque	Schneidkante	Cuchilla De Ataque	
2	3009480X1	16	Bolt, Hex. Socket Head - M16 X 60	Goupille	Sechskantschraube	Tornillo	
3	339034X1	16	Nut, Hex. - M16, Coarse, Grade 8	Ecrou Métrique	Mutter Metrisch	Tuerca	



C-98011-01.1-B

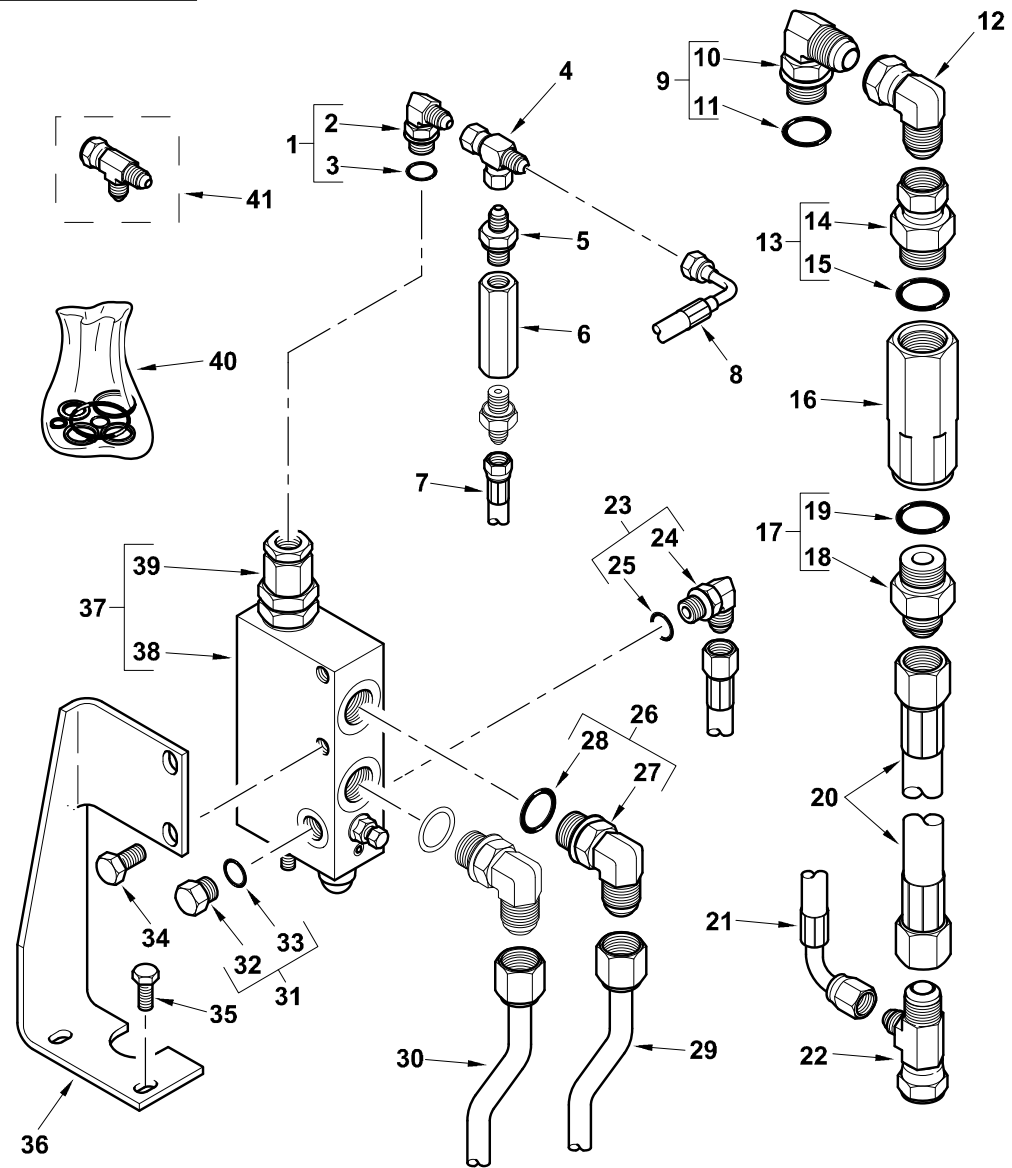




<b>Item</b>	<b>Part No.</b>	<b>Qty.</b>	<b>English</b>	<b>French</b>	<b>German</b>	<b>Spanish</b>	<b>Remarks</b>
1	353427X1	16	Nut, Hex. - 5/8" Unf	Ecrou 5/8" Unf	Mutter 5/8" Unf	Tuerca	
2	1462201M3	8	Tooth, Bucket	Dent	Zahn	Diente	
3	3519698M1	8	Packer - Bucket Teeth	Patin D'usure	Verschleisskissen	Patín De Desgaste	
4	353915X1	16	Bolt, Plough - Special, 5/8" Unf X 2.62"	Boulon	Spezialschraube	Perno	



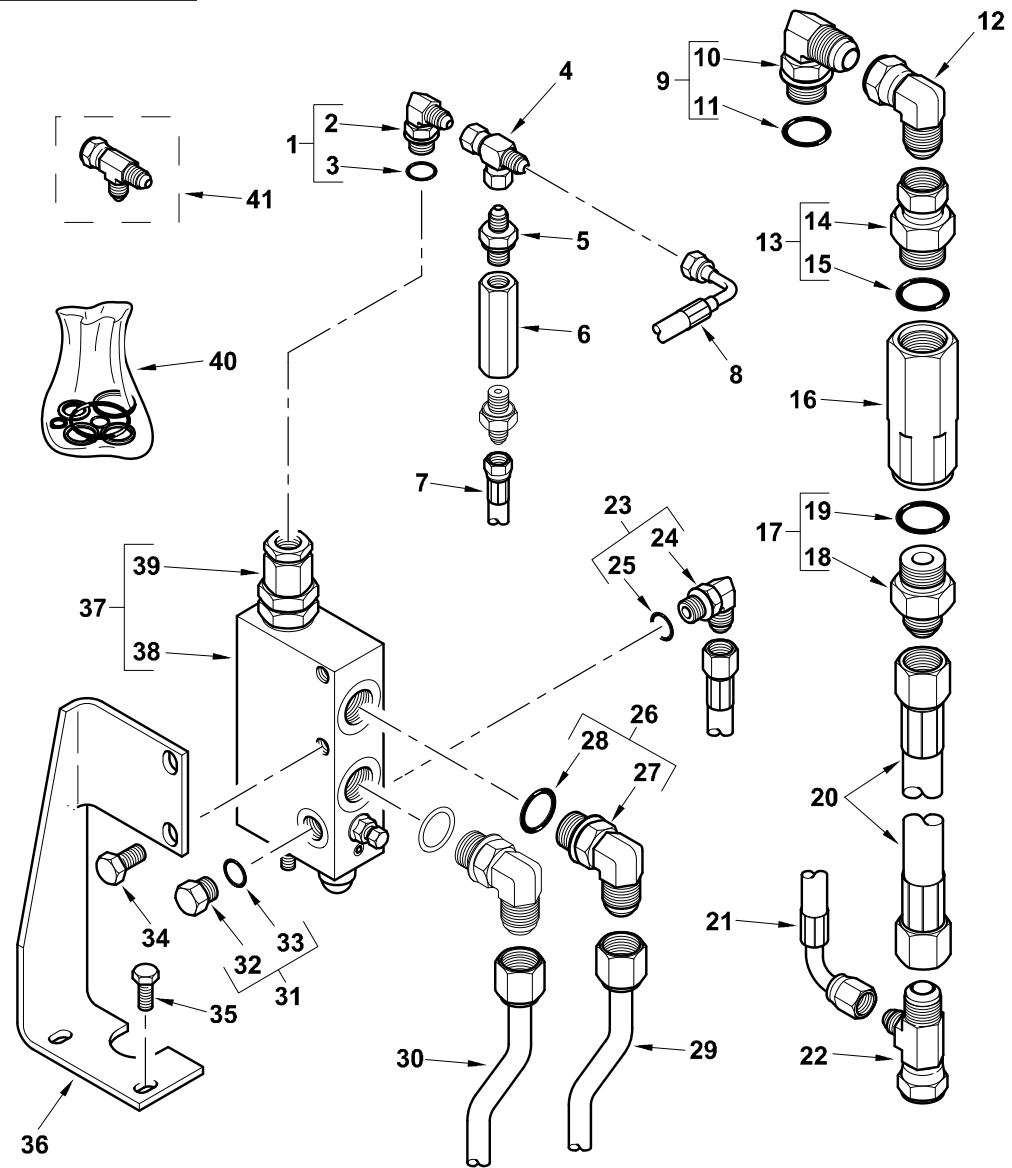
C-98039-01.1-B



Item	Part No.	Qty.	English	French	German	Spanish	Remarks
1	358760X91	1	Elbow 90#7/16-7/16 Unf	Coude, 90	Kniestück, 90°	Codo, 90°	
2	#ELBOW	1	Elbow	Elbow	Elbow	Elbow	Ref. 1
3	831495M1	1	O-Ring	Joint Torique	O-Ring	Junta De Tipo O	
4	6110514M91	1	Union - Swivel Run Tee	Raccord En T	T-Stück	Te	
5	6106088M91	2	Connector, Hydraulic	Borne	Doppelnippel	Conector	
6	6110513M91	1	Check Valve	Clapet Anti-Retour	Ventil, Rückschlag-	Válvula De Parada	
7	6110512M91	1	Hose Assy	Flexible Ass.	Schlauch Kplt	Flexible, Conj.	
8	6110512M91	1	Hose Assy	Flexible Ass.	Schlauch Kplt	Flexible, Conj.	
9	835007M91	1	Elbow 90 Degree Adjust	Coude 90°	Kniestück 90°	Codo, 90°	
10	#ELBOW	1	Elbow	Elbow	Elbow	Elbow	Ref. 9
11	835024M1	1	Ring O - Boa	Joint Torique	O Ring	Junta De Tipo O	
12	367386X1	1	Elbow Swiv. 7/8"	Coude	Winkelstuck	Codo, 90°	
13	6109944M91	1	Connector Swivel 1-1/16jicm X 7/8jicf	Ensemble Connexion	Stecker Kpl.	Conexión, Conj.	
14	#CONNECTOR	1	Connector	Connector	Connector	Connector	Ref. 13
15	835025M1	1	Ring O	Joint Torique	O Ring	Junta De Tipo O	
16	6109877M91	1	Check Valve	Clapet Anti-Retour	Ventil, Rückschlag-	Válvula De Parada	
17	365715X91	1	Connector, Hydr.-Straight, 1 1/16 X 7/8	Borne	Doppelnippel	Conexión, Conj.	
18	#CONNECTOR	1	Connector	Connector	Connector	Connector	Ref. 17
19	835025M1	1	Ring O	Joint Torique	O Ring	Junta De Tipo O	
20	6110437M91	1	Hose Assy - Boom Cylinder Head	Flexible Ass.	Schlauch Kplt	Flexible, Conj.	
21	6109247M91	1	Hose Assy - Orb To S-Cyl LH	Flexible Ass.	Schlauch Kplt	Flexible, Conj.	
22	6102014M91	1	Tee-Hose Burst	Raccord	T Stuck	Te	
23	357197X91	1	Elbow & O Ring	Coude	Kniestück, 90°	Codo, 90°	
24	#ELBOW	1	Elbow	Elbow	Elbow	Elbow	Ref. 23
25	831452M1	1	O Ring (Pack Of 10)	Joint Torique	O Ring	Junta De Tipo O	
26	835007M91	2	Elbow 90 Degree Adjust	Coude 90°	Kniestück 90°	Codo, 90°	
27	#ELBOW	1	Elbow	Elbow	Elbow	Elbow	Ref. 26
28	835024M1	1	Ring O - Boa	Joint Torique	O Ring	Junta De Tipo O	
29	6101966M91	1	Hose-Boom Cyl Hose Hose	Flexible Ass.	Schlauch Kplt	Flexible, Conj.	
30	#TUBE	1	Tube	Tube	Tube	Tube	Boom Cylinder

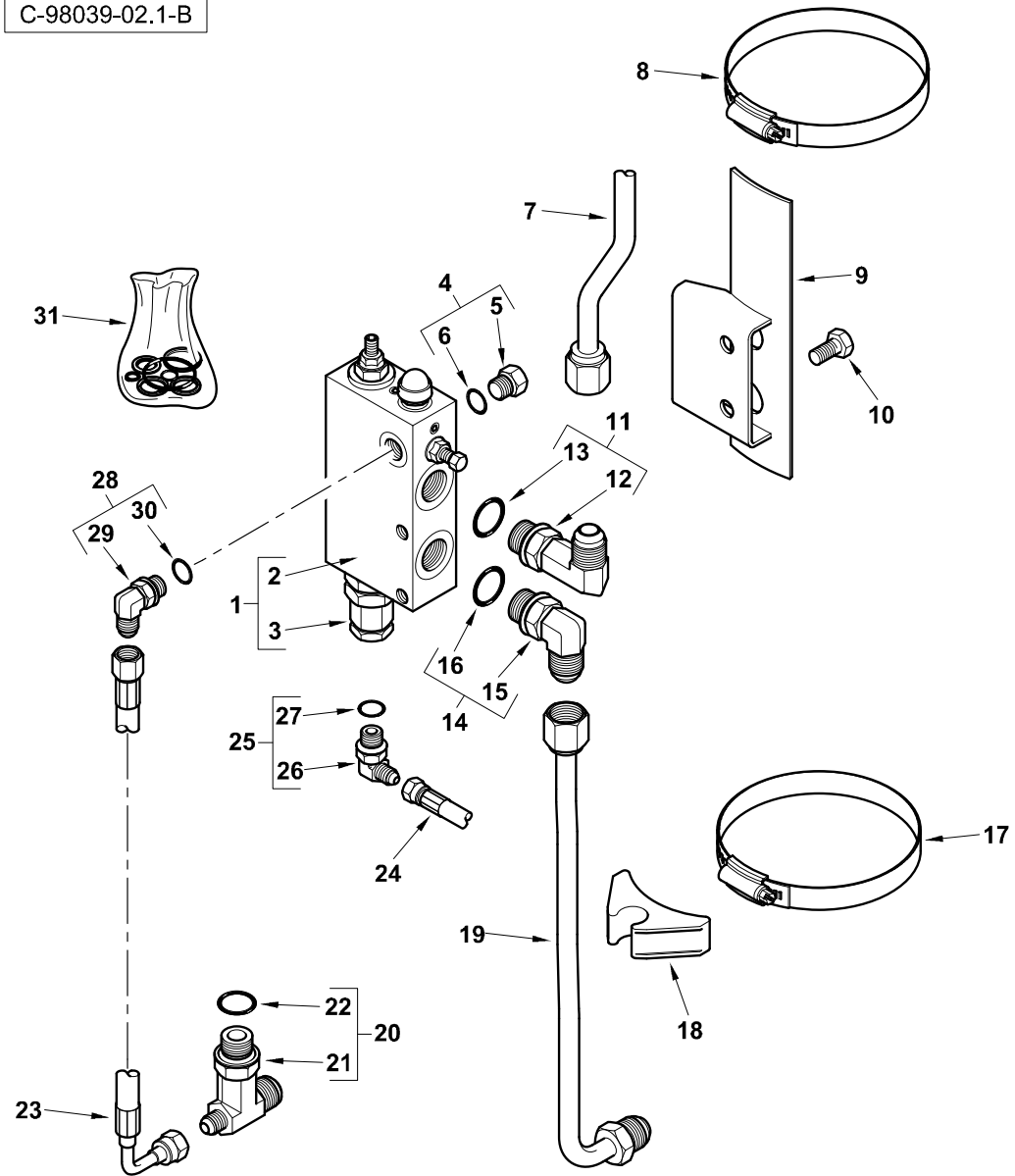


C-98039-01.1-B



Item	Part No.	Qty.	English	French	German	Spanish	Remarks
31	835087M91	1	Plug 9/16"	Bouchon	Stopfen	Tapón, Conj.	
32	#PLUG	1	Plug	Plug	Plug	Plug	Ref. 31
33	831452M1	1	O Ring (Pack Of 10)	Joint Torique	O Ring	Junta De Tipo O	
34	3009491X1	2	Bolt M10 X 20	Boulon	Maschschraube M10	Tornillo	
35	339123X1	2	Bolt M8-20 Z5f	Boulon M8 X 20	Maschschraube M8	Perno	
36	6101960M1	1	Bracket-Boom Cyl Valve	Support	Haltevorrichtung	Pata De Fijación	
37	6109649M91	1	Valve - Hose Burst Boom	Soupape Verrouillage	Sperrventil	Válvula De Bloqueo.	
38	#VALVE	1	Valve	Soupape	Ventil	Válvula	Ref. 37
39	6194035M91	1	Vs5 Pilot Bypass Relief Cartridge	Cartouche	Patrone	Cartucho, Conj.	
40	6194034M91	1	Seal Kit	Jeu Étanchéité	Dichtringsatz	Juego De Juntas	
41	371725X1	1	Tee 7/16	Te	T-Stück	Te	

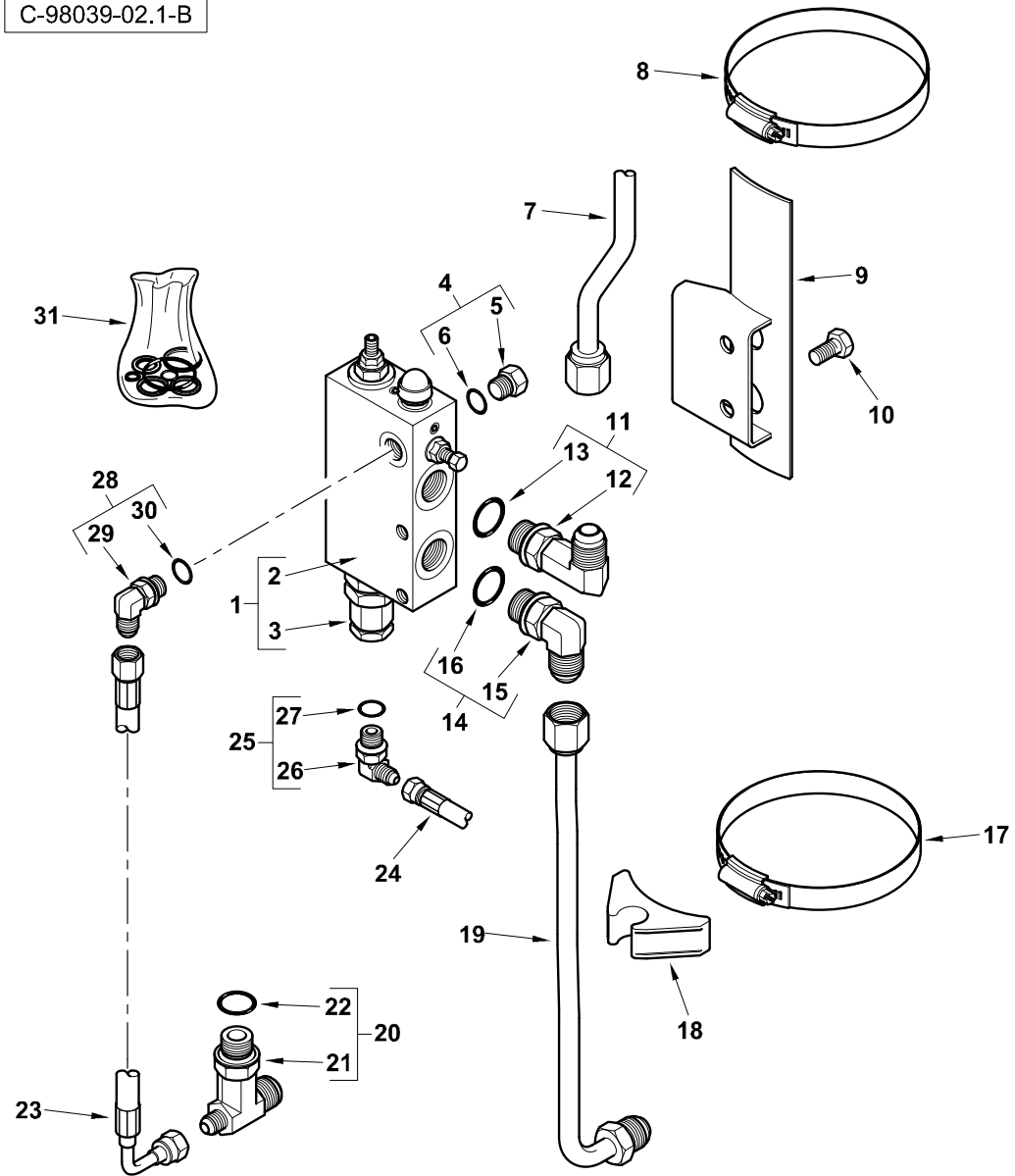
C-98039-02.1-B



Item	Part No.	Qty.	English	French	German	Spanish	Remarks
1	6109882M91	1	Valve - Hose Burst Dipper	Soupape Verrouillage	Sperrventil	Válvula De Bloqueo.	
2	#VALVE	1	Valve	Soupape	Ventil	Válvula	Ref. 1
3	6194035M91	1	Vs5 Pilot Bypass Relief Cartridge	Cartouche	Patrone	Cartucho, Conj.	
4	835087M91	1	Plug 9/16"	Bouchon	Stopfen	Tapón, Conj.	
5	#PLUG	1	Plug	Plug	Plug	Plug	Ref. 4
6	831452M1	1	O Ring (Pack Of 10)	Joint Torique	O Ring	Junta De Tipo O	
7	6110006M91	1	Tube Assy - Dipper Hose Burst	Tuyauterie	Rohrleitung Kplt	Conjunto De Tubería	
8	3517731M1	2	Clamp-Hose	Bride Pour Tutaux	Schlauchschelle	Argolla De Fijación	
9	6110008M91	1	Bracket Assy - Hose Burst Dipper	Patte Fixation	Halter	Cuchara, Conj.	
10	3009491X1	2	Bolt M10 X 20	Boulon	Maschschraube M10	Tornillo	
11	6101624M91	1	Elbow 90deg-Long	Coude À 90°	Winkelstuck	Codo, 90°	
12	#ELBOW	1	Elbow	Elbow	Elbow	Elbow	Ref. 11
13	835024M1	1	Ring O - Boa	Joint Torique	O Ring	Junta De Tipo O	
14	835007M91	1	Elbow 90 Degree Adjust	Coude 90°	Kniestück 90°	Codo, 90°	
15	#ELBOW	1	Elbow	Elbow	Elbow	Elbow	Ref. 14
16	835024M1	1	Ring O - Boa	Joint Torique	O Ring	Junta De Tipo O	
17	3517732M1	1	Clip, Hose	Collier Durit	Schlauchschelle	Argolla De Fijación	
18	D142787	1	Saddle (See 142787d)	Selle	Sattel	Bloque De Caucho	
19	6110004M91	1	Tube Assy - Dipper Cyl (Hose Burst)	Tuyauterie	Rohrleitung Kplt	Conjunto De Tubería	
20	6101954M91	1	Tee-Long	Raccord	Verschraubung	Te	
21	#TEE	1	Tee	Tee	Tee	Tee	Ref. 20
22	835024M1	1	Ring O - Boa	Joint Torique	O Ring	Junta De Tipo O	
23	6101955M91	1	Hose-Hose Burst Pilot Press.	Flexible Ass.	Schlauch Kplt	Flexible, Conj.	
24	6110512M91	1	Hose Assy	Flexible Ass.	Schlauch Kplt	Flexible, Conj.	
25	358760X91	1	Elbow 90#7/16-7/16 Unf	Coude, 90	Kniestück, 90°	Codo, 90°	
26	#ELBOW	1	Elbow	Elbow	Elbow	Elbow	Ref. 25
27	831495M1	1	O-Ring	Joint Torique	O-Ring	Junta De Tipo O	
28	357197X91	1	Elbow & O Ring	Coude	Kniestück, 90°	Codo, 90°	
29	#ELBOW	1	Elbow	Elbow	Elbow	Elbow	Ref. 28
30	831452M1	1	O Ring (Pack Of 10)	Joint Torique	O Ring	Junta De Tipo O	



C-98039-02.1-B

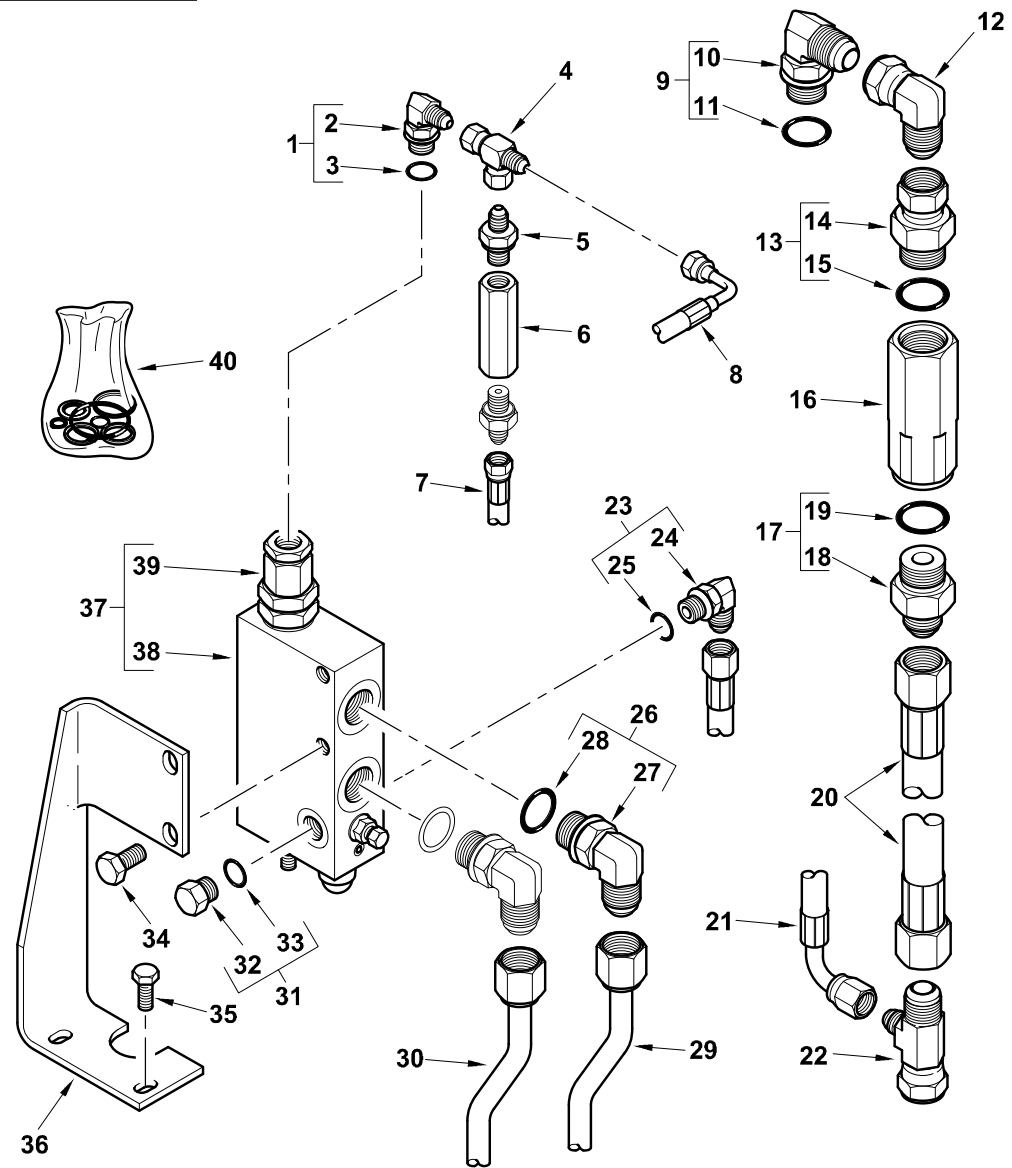




<b>Item</b>	<b>Part No.</b>	<b>Qty.</b>	<b>English</b>	<b>French</b>	<b>German</b>	<b>Spanish</b>	<b>Remarks</b>
31	6194036M91	1	Seal Kit	Jeu Etancheite	Dichtringsatz	Juego De Juntas	



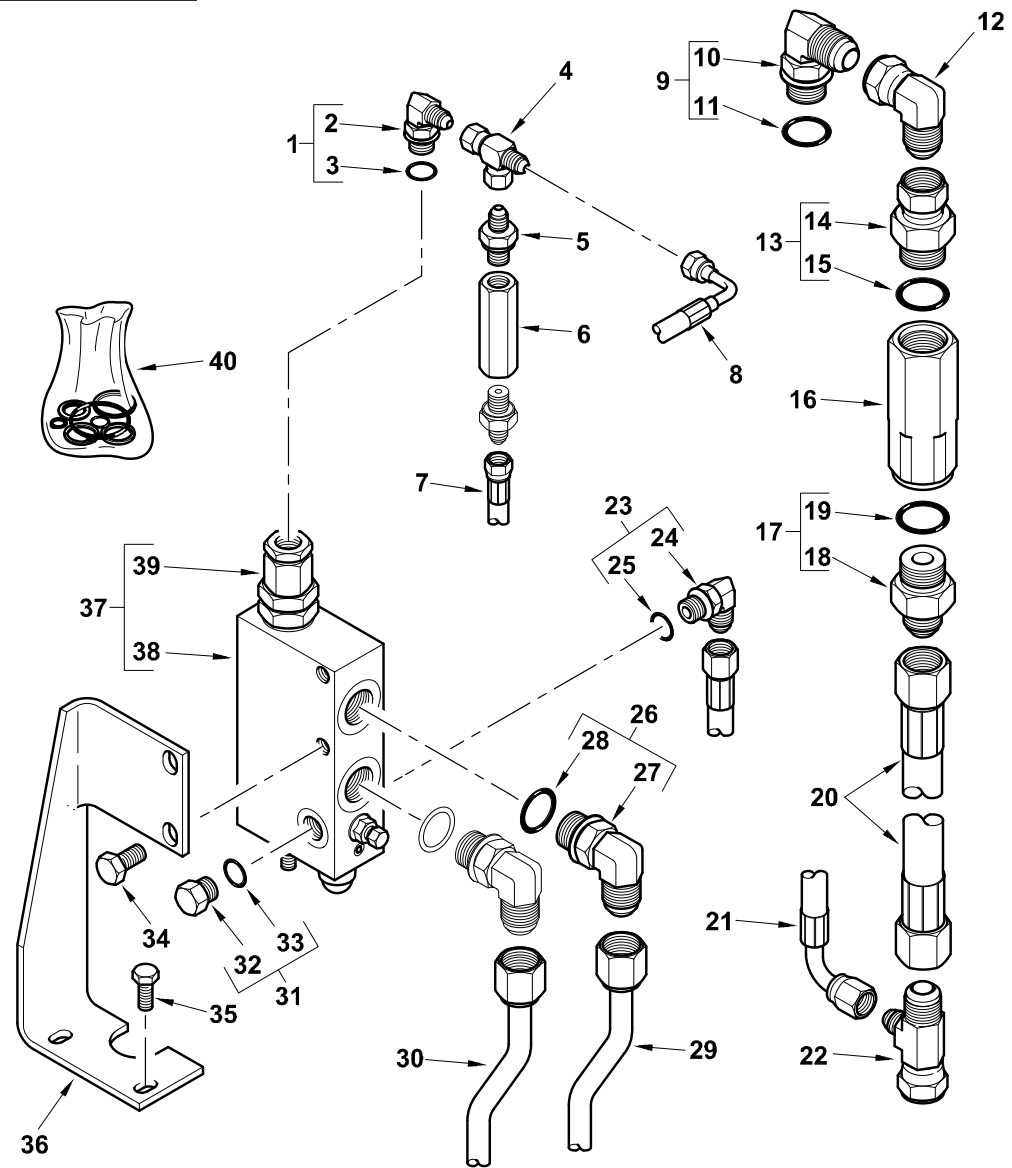
C-98120-01.1-A



Item	Part No.	Qty.	English	French	German	Spanish	Remarks
1	358760X91	1	Elbow 90#7/16-7/16 Unf	Coude, 90	Kniestück, 90°	Codo, 90°	
2	#ELBOW	1	Elbow	Elbow	Elbow	Elbow	Ref. 1
3	831495M1	1	O-Ring	Joint Torique	O-Ring	Junta De Tipo O	
4	6110514M91	1	Union - Swivel Run Tee	Raccord En T	T-Stück	Te	
5	6106088M91	2	Connector, Hydraulic	Borne	Doppelnippel	Conector	
6	6110513M91	1	Check Valve	Clapet Anti-Retour	Ventil, Rückschlag-	Válvula De Parada	
7	6110512M91	1	Hose Assy	Flexible Ass.	Schlauch Kplt	Flexible, Conj.	98120c03.1 1
8	6110512M91	1	Hose Assy	Flexible Ass.	Schlauch Kplt	Flexible, Conj.	
9	835007M91	1	Elbow 90 Degree Adjust	Coude 90°	Kniestück 90°	Codo, 90°	
10	#ELBOW	1	Elbow	Elbow	Elbow	Elbow	Ref. 9
11	835024M1	1	Ring O - Boa	Joint Torique	O Ring	Junta De Tipo O	
12	367386X1	1	Elbow Swiv. 7/8"	Coude	Winkelstuck	Codo, 90°	
13	6109944M91	1	Connector Swivel 1-1/16jicm X 7/8jicf	Ensemble Connexion	Stecker Kpl.	Conexión, Conj.	
14	#CONNECTOR	1	Connector	Connector	Connector	Connector	Ref. 13
15	835025M1	1	Ring O	Joint Torique	O Ring	Junta De Tipo O	
16	6109877M91	1	Check Valve	Clapet Anti-Retour	Ventil, Rückschlag-	Válvula De Parada	
17	365715X91	1	Connector, Hydr.-Straight, 1 1/16 X 7/8	Borne	Doppelnippel	Conexión, Conj.	
18	#CONNECTOR	1	Connector	Connector	Connector	Connector	Ref. 17
19	835025M1	1	Ring O	Joint Torique	O Ring	Junta De Tipo O	
20	6110437M91	1	Hose Assy - Boom Cylinder Head	Flexible Ass.	Schlauch Kplt	Flexible, Conj.	
21	6109247M91	1	Hose Assy - Orb To S-Cyl LH	Flexible Ass.	Schlauch Kplt	Flexible, Conj.	
22	6102014M91	1	Tee-Hose Burst	Raccord	T Stuck	Te	
23	357197X91	1	Elbow & O Ring	Coude	Kniestück, 90°	Codo, 90°	
24	#ELBOW	1	Elbow	Elbow	Elbow	Elbow	Ref. 23
25	831452M1	1	O Ring (Pack Of 10)	Joint Torique	O Ring	Junta De Tipo O	
26	835007M91	2	Elbow 90 Degree Adjust	Coude 90°	Kniestück 90°	Codo, 90°	
27	#ELBOW	1	Elbow	Elbow	Elbow	Elbow	Ref. 26
28	835024M1	1	Ring O - Boa	Joint Torique	O Ring	Junta De Tipo O	
29	6101966M91	1	Hose-Boom Cyl Hose Hose	Flexible Ass.	Schlauch Kplt	Flexible, Conj.	
30	#TUBE	1	Tube	Tube	Tube	Tube	Boom Cylinder



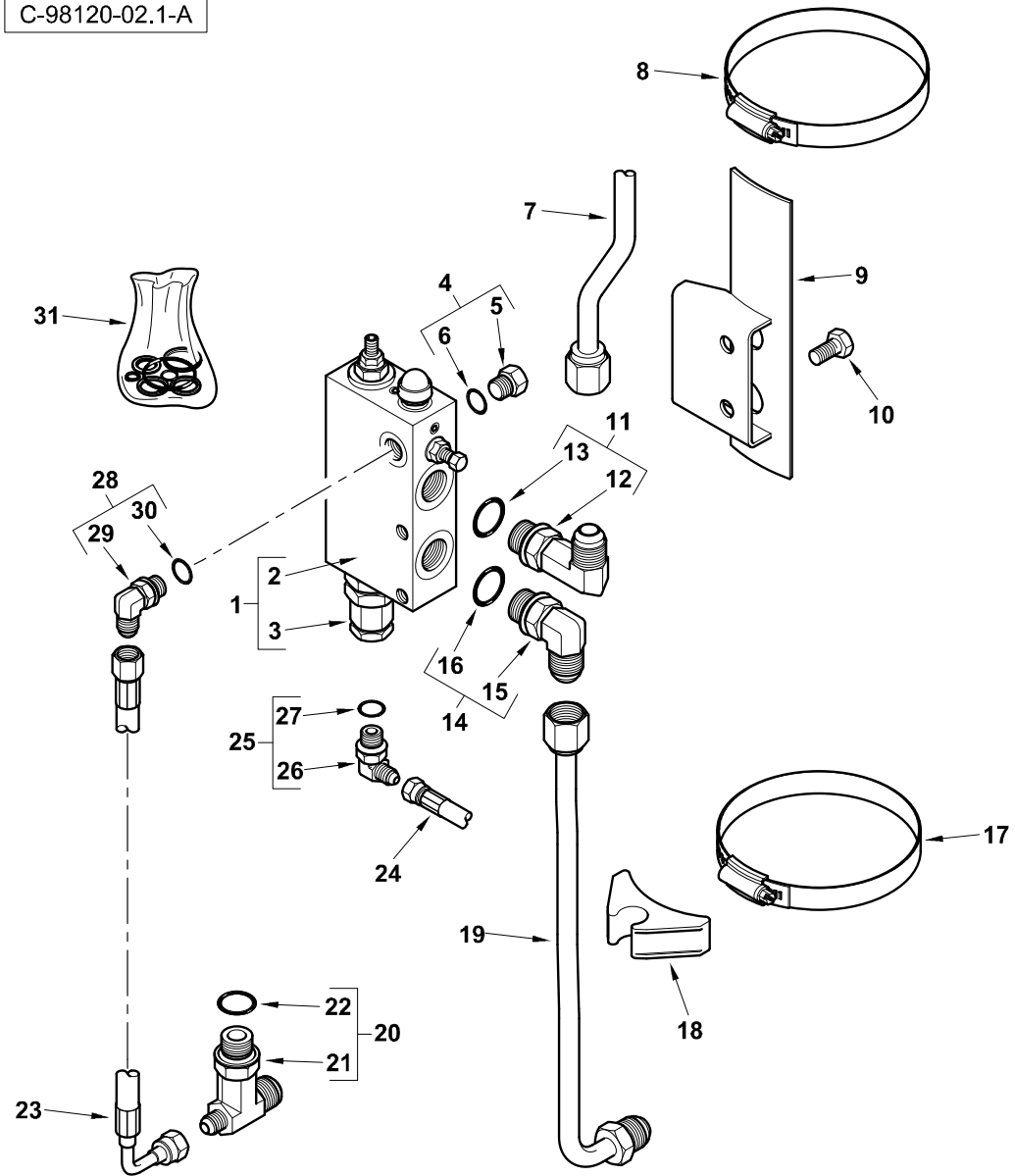
C-98120-01.1-A



Item	Part No.	Qty.	English	French	German	Spanish	Remarks
31	835087M91	1	Plug 9/16"	Bouchon	Stopfen	Tapón, Conj.	
32	#PLUG	1	Plug	Plug	Plug	Plug	Ref. 31
33	831452M1	1	O Ring (Pack Of 10)	Joint Torique	O Ring	Junta De Tipo O	
34	3009491X1	2	Bolt M10 X 20	Boulon	Maschschraube M10	Tornillo	
35	339123X1	2	Bolt M8-20 Z5f	Boulon M8 X 20	Maschschraube M8	Perno	
36	6101960M1	1	Bracket-Boom Cyl Valve	Support	Haltevorrichtung	Pata De Fijación	
37	6109649M91	1	Valve - Hose Burst Boom	Soupape Verrouillage	Sperrventil	Válvula De Bloqueo.	
38	#VALVE	1	Valve	Soupape	Ventil	Válvula	Ref. 37
39	6194035M91	1	Vs5 Pilot Bypass Relief Cartridge	Cartouche	Patrone	Cartucho, Conj.	
40	6194034M91	1	Seal Kit	Jeu Étanchéité	Dichtringsatz	Juego De Juntas	



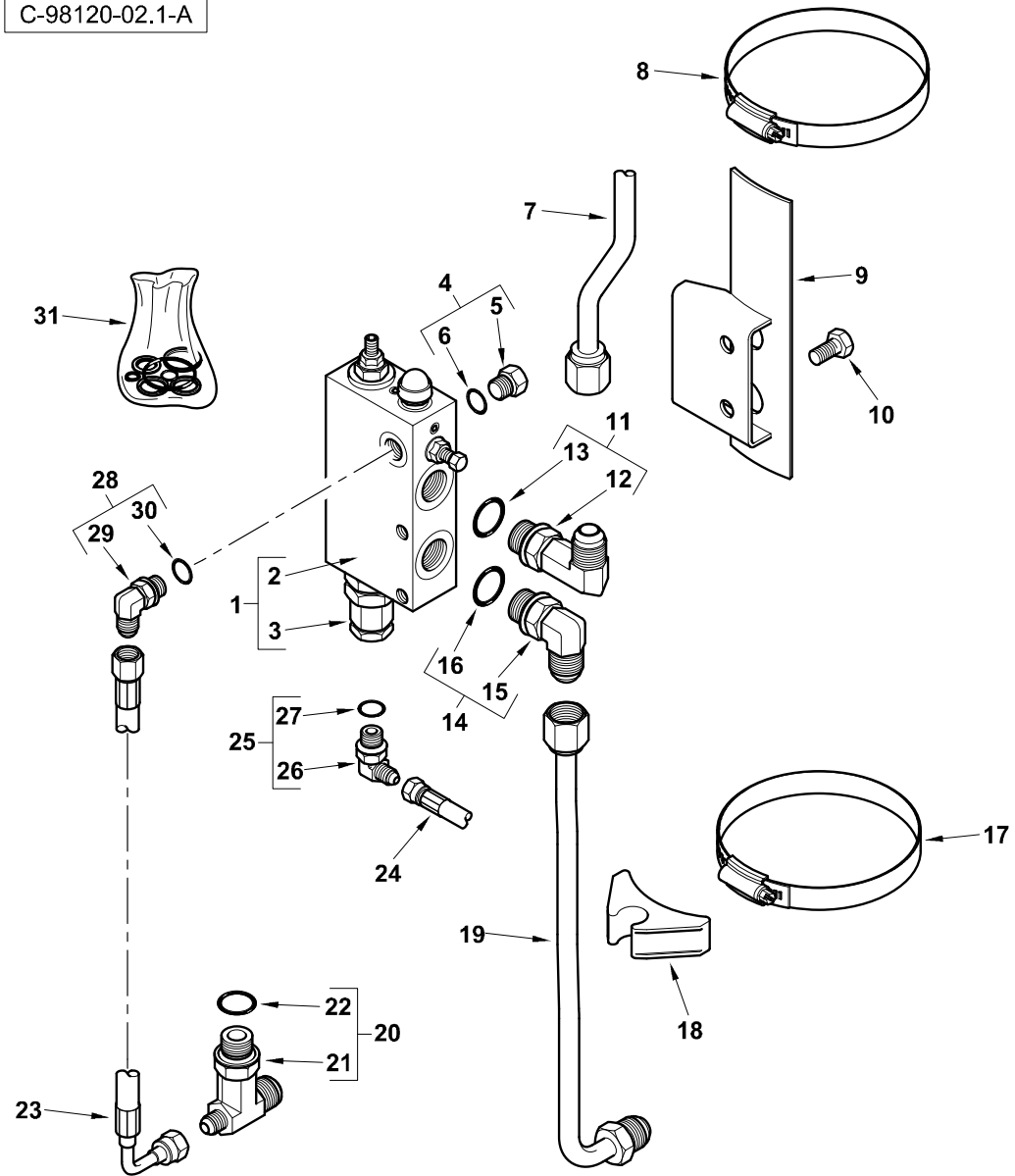
C-98120-02.1-A



Item	Part No.	Qty.	English	French	German	Spanish	Remarks
1	6109882M91	1	Valve - Hose Burst Dipper	Soupape Verrouillage	Sperrventil	Válvula De Bloqueo.	
2	#VALVE	1	Valve	Soupape	Ventil	Válvula	Ref. 1
3	6194035M91	1	Vs5 Pilot Bypass Relief Cartridge	Cartouche	Patrone	Cartucho, Conj.	
4	835087M91	1	Plug 9/16"	Bouchon	Stopfen	Tapón, Conj.	
5	#PLUG	1	Plug	Plug	Plug	Plug	Ref. 4
6	831452M1	1	O Ring (Pack Of 10)	Joint Torique	O Ring	Junta De Tipo O	
7	6110006M91	1	Tube Assy - Dipper Hose Burst	Tuyauterie	Rohrleitung Kplt	Conjunto De Tubería	
8	3517731M1	2	Clamp-Hose	Bride Pour Tutaux	Schlauchschelle	Argolla De Fijación	
9	6110008M91	1	Bracket Assy - Hose Burst Dipper	Patte Fixation	Halter	Cuchara, Conj.	
10	3009491X1	2	Bolt M10 X 20	Boulon	Maschschraube M10	Tornillo	
11	6101624M91	1	Elbow 90deg-Long	Coude À 90°	Winkelstuck	Codo, 90°	
12	#ELBOW	1	Elbow	Elbow	Elbow	Elbow	Ref. 11
13	835024M1	1	Ring O - Boa	Joint Torique	O Ring	Junta De Tipo O	
14	835007M91	1	Elbow 90 Degree Adjust	Coude 90°	Kniestück 90°	Codo, 90°	
15	#ELBOW	1	Elbow	Elbow	Elbow	Elbow	Ref. 14
16	835024M1	1	Ring O - Boa	Joint Torique	O Ring	Junta De Tipo O	
17	3517732M1	1	Clip, Hose	Collier Durit	Schlauchschelle	Argolla De Fijación	
18	D142787	1	Saddle (See 142787d)	Selle	Sattel	Bloque De Caucho	
19	6110004M91	1	Tube Assy - Dipper Cyl (Hose Burst)	Tuyauterie	Rohrleitung Kplt	Conjunto De Tubería	
20	6101954M91	1	Tee-Long	Raccord	Verschraubung	Te	
21	#TEE	1	Tee	Tee	Tee	Tee	Ref. 20
22	835024M1	1	Ring O - Boa	Joint Torique	O Ring	Junta De Tipo O	
23	6101955M91	1	Hose-Hose Burst Pilot Press.	Flexible Ass.	Schlauch Kplt	Flexible, Conj.	
24	6110512M91	1	Hose Assy	Flexible Ass.	Schlauch Kplt	Flexible, Conj.	
25	358760X91	1	Elbow 90#7/16-7/16 Unf	Coude, 90	Kniestück, 90°	Codo, 90°	
26	#ELBOW	1	Elbow	Elbow	Elbow	Elbow	Ref. 25
27	831495M1	1	O-Ring	Joint Torique	O-Ring	Junta De Tipo O	
28	357197X91	1	Elbow & O Ring	Coude	Kniestück, 90°	Codo, 90°	
29	#ELBOW	1	Elbow	Elbow	Elbow	Elbow	Ref. 28
30	831452M1	1	O Ring (Pack Of 10)	Joint Torique	O Ring	Junta De Tipo O	



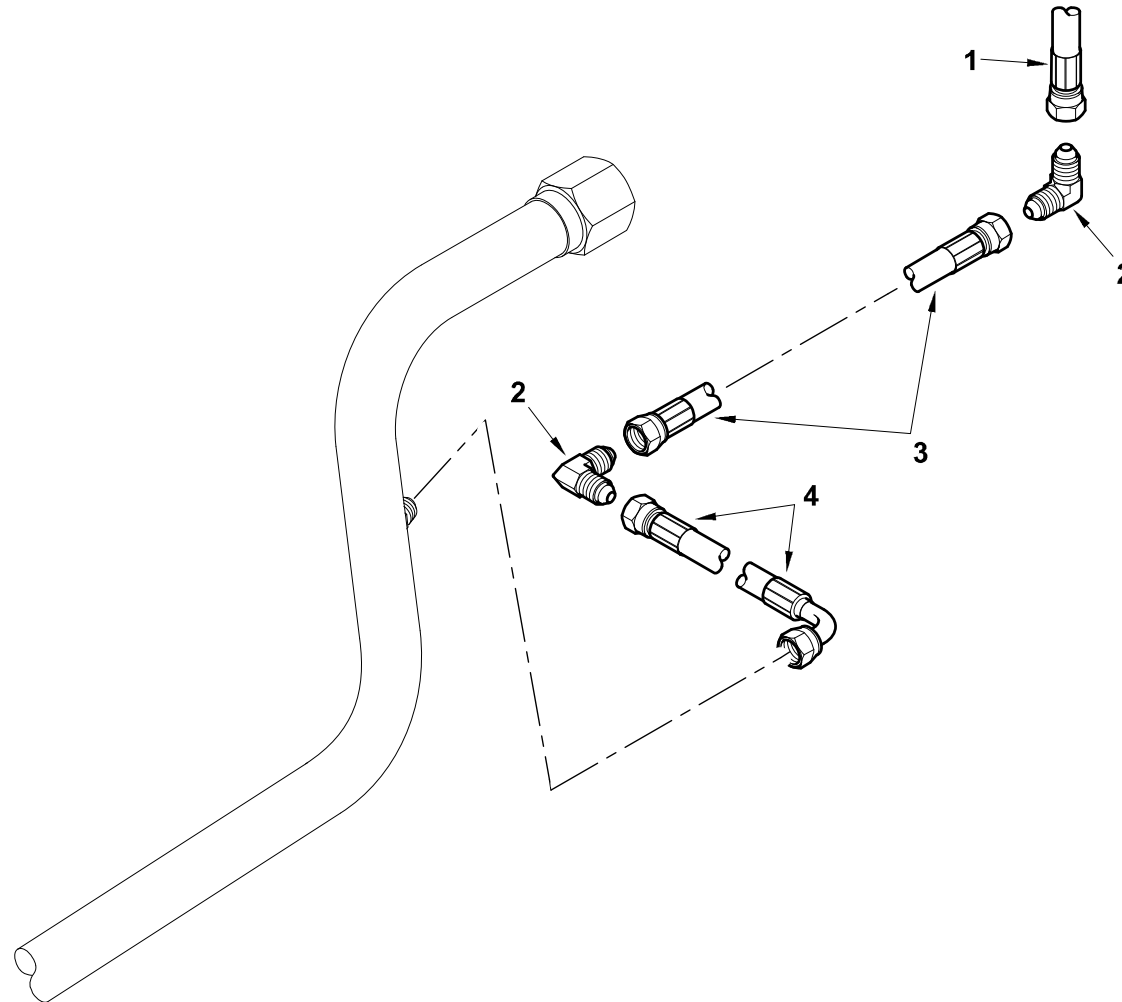
C-98120-02.1-A





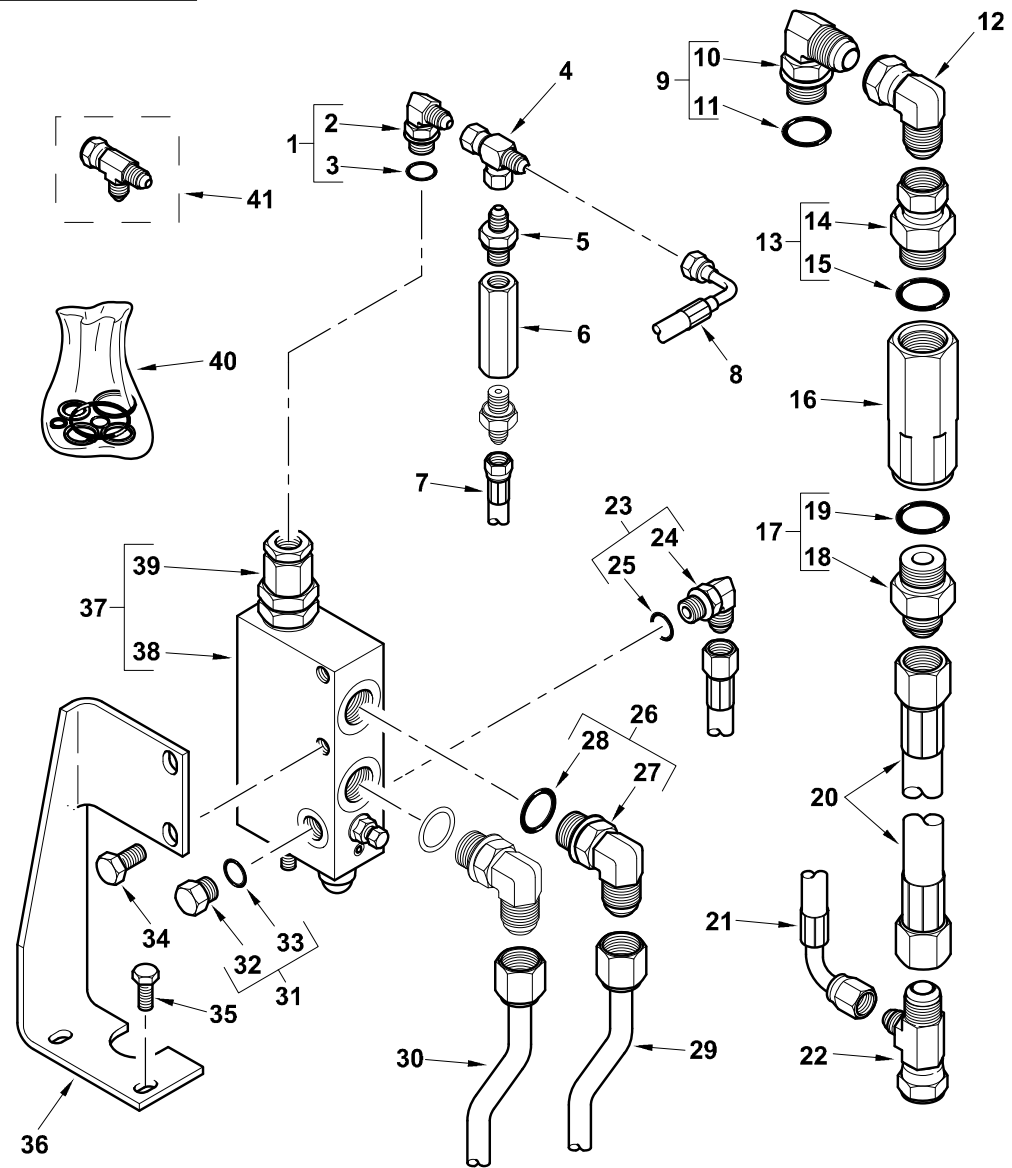
<b>Item</b>	<b>Part No.</b>	<b>Qty.</b>	<b>English</b>	<b>French</b>	<b>German</b>	<b>Spanish</b>	<b>Remarks</b>
31	6194036M91	1	Seal Kit	Jeu Etancheite	Dichtringsatz	Juego De Juntas	

C-98120-03.1-A



<b>Item</b>	<b>Part No.</b>	<b>Qty.</b>	<b>English</b>	<b>French</b>	<b>German</b>	<b>Spanish</b>	<b>Remarks</b>
1	6110512M91	1	Hose Assy	Flexible Ass.	Schlauch Kplt	Flexible, Conj.	98120c01.1 7
2	356373X1	2	Elbow - Hammer Hydraulics	Coude À 90°	Kniestück, 90°	Codo, 90°	
3	6102806M91	1	Hose-Quick Attach	Flexible Ass.	Schlauch Kpl	Flexible, Conj.	
4	3519226M91	1	Hose Assy	Flexible Ass.	Schlauch Kpl	Flexible, Conj.	

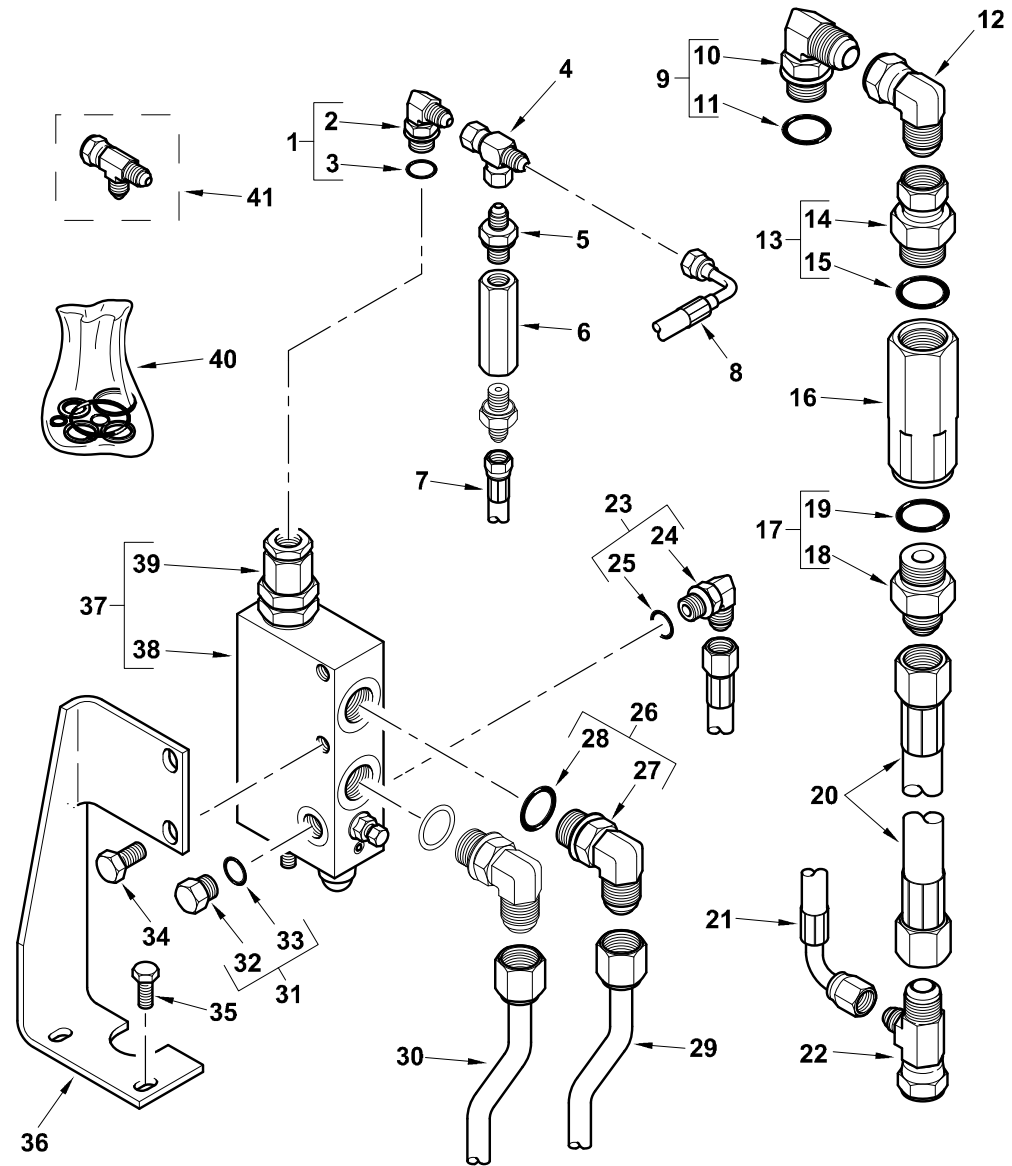
C-98040-01.1-B



Item	Part No.	Qty.	English	French	German	Spanish	Remarks
1	358760X91	1	Elbow 90#7/16-7/16 Unf	Coude, 90	Kniestück, 90°	Codo, 90°	
2	#ELBOW	1	Elbow	Elbow	Elbow	Elbow	Ref. 1
3	831495M1	1	O-Ring	Joint Torique	O-Ring	Junta De Tipo O	
4	6110514M91	1	Union - Swivel Run Tee	Raccord En T	T-Stück	Te	
5	6106088M91	2	Connector, Hydraulic	Borne	Doppelnippel	Conector	
6	6110513M91	1	Check Valve	Clapet Anti-Retour	Ventil, Rückschlag-	Válvula De Parada	
7	6110512M91	1	Hose Assy	Flexible Ass.	Schlauch Kplt	Flexible, Conj.	
8	6110512M91	1	Hose Assy	Flexible Ass.	Schlauch Kplt	Flexible, Conj.	
9	835007M91	1	Elbow 90 Degree Adjust	Coude 90°	Kniestück 90°	Codo, 90°	
10	#ELBOW	1	Elbow	Elbow	Elbow	Elbow	Ref. 9
11	835024M1	1	Ring O - Boa	Joint Torique	O Ring	Junta De Tipo O	
12	367386X1	1	Elbow Swiv. 7/8"	Coude	Winkelstuck	Codo, 90°	
13	6109944M91	1	Connector Swivel 1-1/16jicm X 7/8jicf	Ensemble Connexion	Stecker Kpl.	Conexión, Conj.	
14	#CONNECTOR	1	Connector	Connector	Connector	Connector	Ref. 13
15	835025M1	1	Ring O	Joint Torique	O Ring	Junta De Tipo O	
16	6109877M91	1	Check Valve	Clapet Anti-Retour	Ventil, Rückschlag-	Válvula De Parada	
17	365715X91	1	Connector, Hydr.-Straight, 1 1/16 X 7/8	Borne	Doppelnippel	Conexión, Conj.	
18	#CONNECTOR	1	Connector	Connector	Connector	Connector	Ref. 17
19	835025M1	1	Ring O	Joint Torique	O Ring	Junta De Tipo O	
20	6110437M91	1	Hose Assy - Boom Cylinder Head	Flexible Ass.	Schlauch Kplt	Flexible, Conj.	
21	6109247M91	1	Hose Assy - Orb To S-Cyl LH	Flexible Ass.	Schlauch Kplt	Flexible, Conj.	
22	6102014M91	1	Tee-Hose Burst	Raccord	T Stuck	Te	
23	357197X91	1	Elbow & O Ring	Coude	Kniestück, 90°	Codo, 90°	
24	#ELBOW	1	Elbow	Elbow	Elbow	Elbow	Ref. 23
25	831452M1	1	O Ring (Pack Of 10)	Joint Torique	O Ring	Junta De Tipo O	
26	835007M91	2	Elbow 90 Degree Adjust	Coude 90°	Kniestück 90°	Codo, 90°	
27	#ELBOW	1	Elbow	Elbow	Elbow	Elbow	Ref. 26
28	835024M1	1	Ring O - Boa	Joint Torique	O Ring	Junta De Tipo O	
29	6101966M91	1	Hose-Boom Cyl Hose Hose	Flexible Ass.	Schlauch Kplt	Flexible, Conj.	
30	6102472M91	1	Tube-4.9 Boom Cyl Hose Burst	Tuyo	Leitung, Kpl.	Conjunto De Tubería	



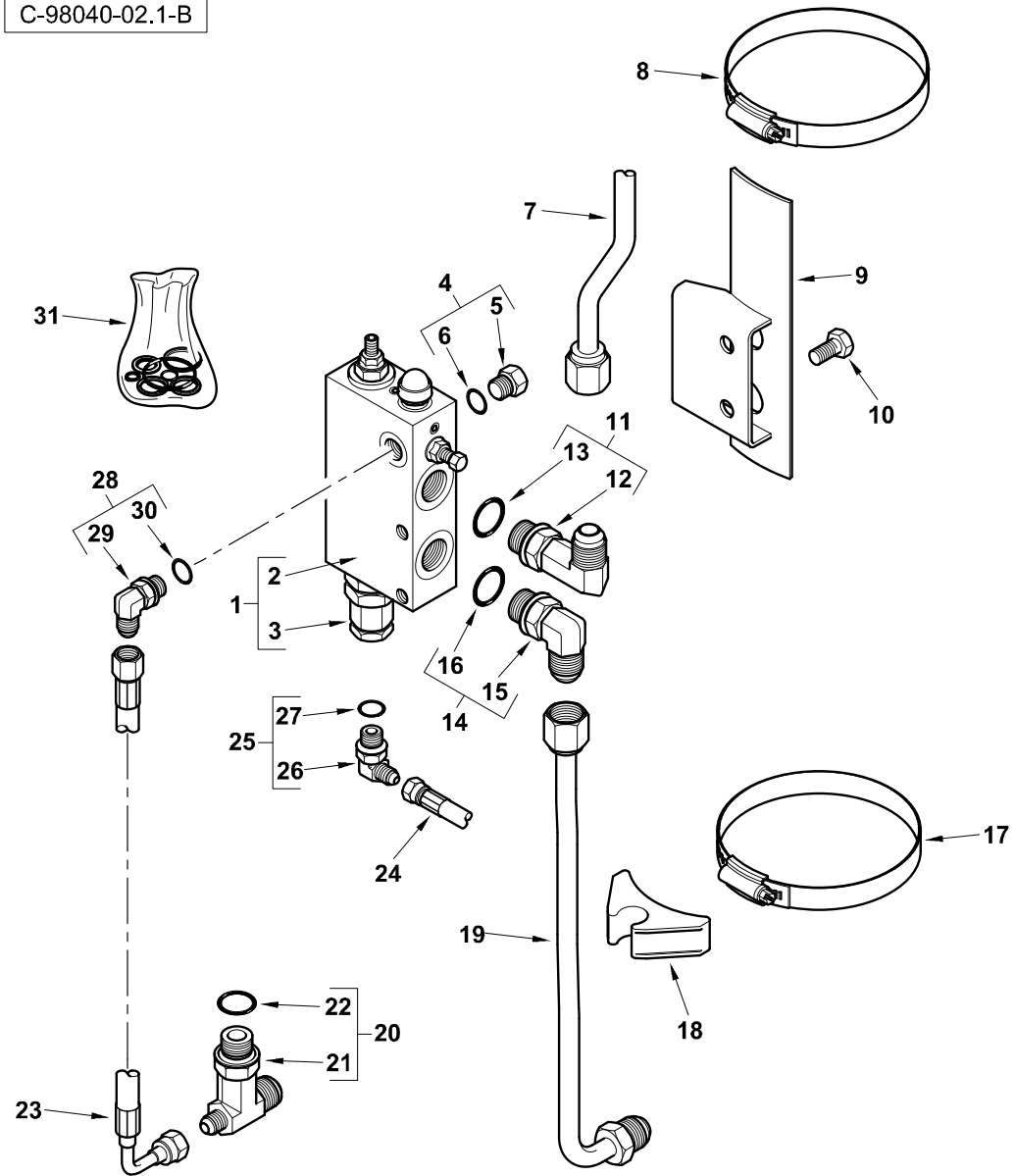
C-98040-01.1-B



Item	Part No.	Qty.	English	French	German	Spanish	Remarks
31	835087M91	1	Plug 9/16"	Bouchon	Stopfen	Tapón, Conj.	
32	#PLUG	1	Plug	Plug	Plug	Plug	Ref. 31
33	831452M1	1	O Ring (Pack Of 10)	Joint Torique	O Ring	Junta De Tipo O	
34	3009491X1	2	Bolt M10 X 20	Boulon	Maschschraube M10	Tornillo	
35	339123X1	2	Bolt M8-20 Z5f	Boulon M8 X 20	Maschschraube M8	Perno	
36	6101960M1	1	Bracket-Boom Cyl Valve	Support	Haltevorrichtung	Pata De Fijación	
37	6109649M91	1	Valve - Hose Burst Boom	Soupape Verrouillage	Sperrventil	Válvula De Bloqueo.	
38	#VALVE	1	Valve	Soupape	Ventil	Válvula	Ref. 37
39	6194035M91	1	Vs5 Pilot Bypass Relief Cartridge	Cartouche	Patrone	Cartucho, Conj.	
40	6194034M91	1	Seal Kit	Jeu Étanchéité	Dichtringsatz	Juego De Juntas	
41	371725X1	1	Tee 7/16	Te	T-Stück	Te	



C-98040-02.1-B

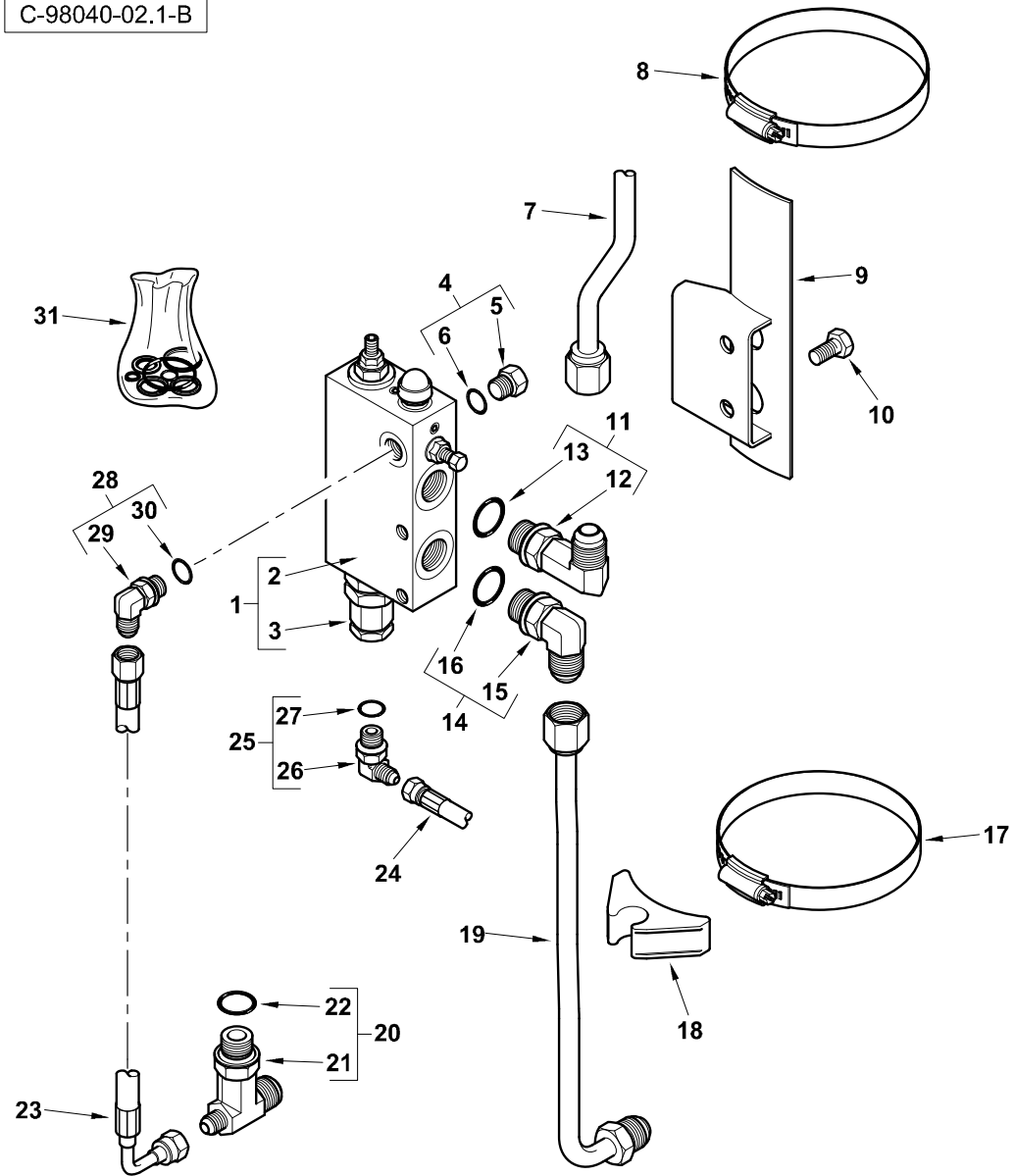




Item	Part No.	Qty.	English	French	German	Spanish	Remarks
1	6109882M91	1	Valve - Hose Burst Dipper	Soupape Verrouillage	Sperrventil	Válvula De Bloqueo.	
2	#VALVE	1	Valve	Soupape	Ventil	Válvula	Ref. 1
3	6194035M91	1	Vs5 Pilot Bypass Relief Cartridge	Cartouche	Patrone	Cartucho, Conj.	
4	835087M91	1	Plug 9/16"	Bouchon	Stopfen	Tapón, Conj.	
5	#PLUG	1	Plug	Plug	Plug	Plug	Ref. 4
6	831452M1	1	O Ring (Pack Of 10)	Joint Torique	O Ring	Junta De Tipo O	
7	6110006M91	1	Tube Assy - Dipper Hose Burst	Tuyauterie	Rohrleitung Kplt	Conjunto De Tubería	
8	3517731M1	2	Clamp-Hose	Bride Pour Tutaux	Schlauchschelle	Argolla De Fijación	
9	6110008M91	1	Bracket Assy - Hose Burst Dipper	Patte Fixation	Halter	Cuchara, Conj.	
10	3009491X1	2	Bolt M10 X 20	Boulon	Maschschraube M10	Tornillo	
11	6101624M91	1	Elbow 90deg-Long	Coude À 90°	Winkelstuck	Codo, 90°	
12	#ELBOW	1	Elbow	Elbow	Elbow	Elbow	Ref. 11
13	835024M1	1	Ring O - Boa	Joint Torique	O Ring	Junta De Tipo O	
14	835007M91	1	Elbow 90 Degree Adjust	Coude 90°	Kniestück 90°	Codo, 90°	
15	#ELBOW	1	Elbow	Elbow	Elbow	Elbow	Ref. 14
16	835024M1	1	Ring O - Boa	Joint Torique	O Ring	Junta De Tipo O	
17	3517732M1	1	Clip, Hose	Collier Durit	Schlauchschelle	Argolla De Fijación	
18	D142787	1	Saddle (See 142787d)	Selle	Sattel	Bloque De Caucho	
19	6110004M91	1	Tube Assy - Dipper Cyl (Hose Burst)	Tuyauterie	Rohrleitung Kplt	Conjunto De Tubería	
20	6101954M91	1	Tee-Long	Raccord	Verschraubung	Te	
21	#TEE	1	Tee	Tee	Tee	Tee	Ref. 20
22	835024M1	1	Ring O - Boa	Joint Torique	O Ring	Junta De Tipo O	
23	6101955M91	1	Hose-Hose Burst Pilot Press.	Flexible Ass.	Schlauch Kplt	Flexible, Conj.	
24	6110512M91	1	Hose Assy	Flexible Ass.	Schlauch Kplt	Flexible, Conj.	
25	358760X91	1	Elbow 90#7/16-7/16 Unf	Coude, 90	Kniestück, 90°	Codo, 90°	
26	#ELBOW	1	Elbow	Elbow	Elbow	Elbow	Ref. 25
27	831495M1	1	O-Ring	Joint Torique	O-Ring	Junta De Tipo O	
28	357197X91	1	Elbow & O Ring	Coude	Kniestück, 90°	Codo, 90°	
29	#ELBOW	1	Elbow	Elbow	Elbow	Elbow	Ref. 28
30	831452M1	1	O Ring (Pack Of 10)	Joint Torique	O Ring	Junta De Tipo O	



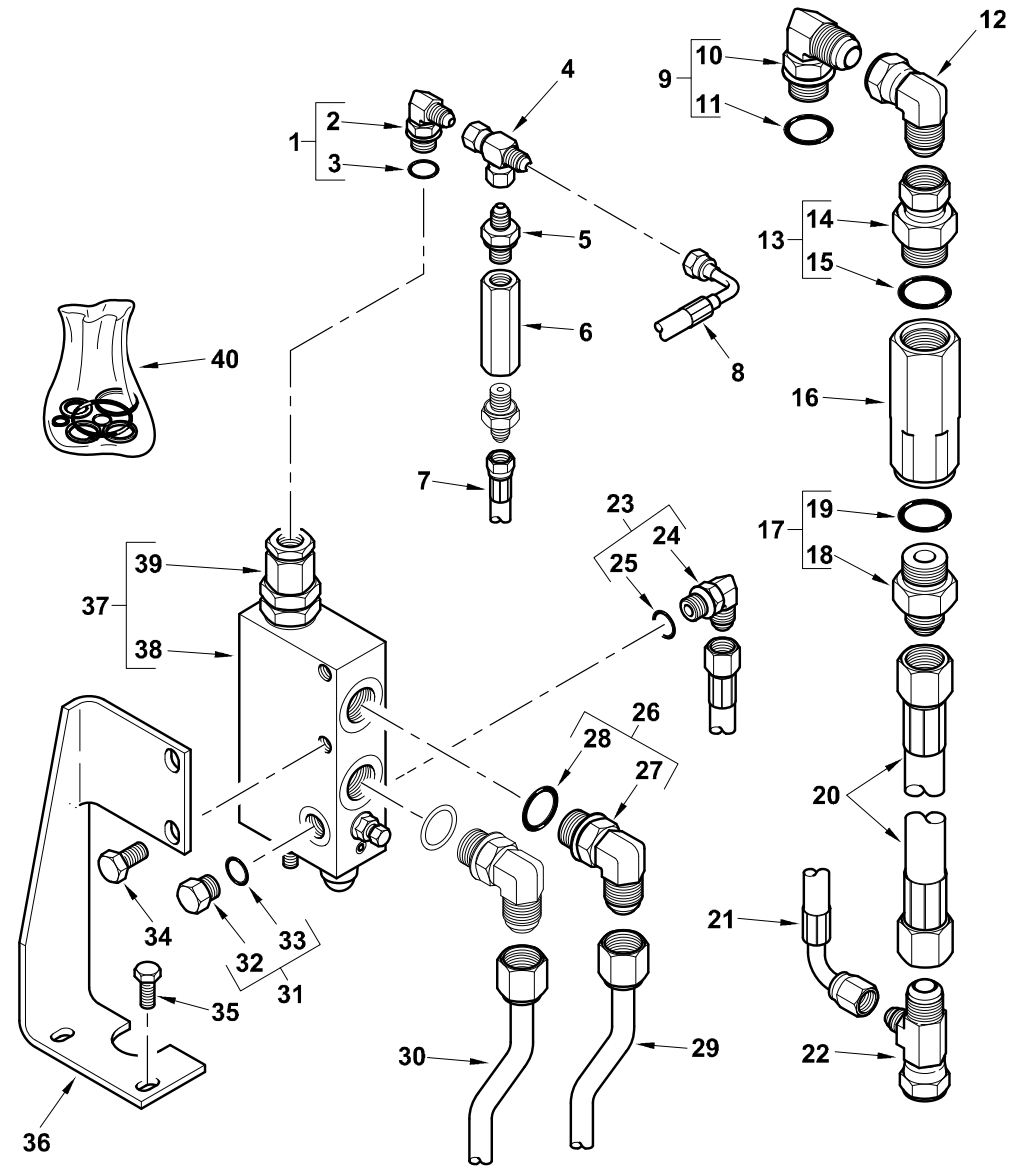
C-98040-02.1-B



<b>Item</b>	<b>Part No.</b>	<b>Qty.</b>	<b>English</b>	<b>French</b>	<b>German</b>	<b>Spanish</b>	<b>Remarks</b>
31	6194036M91	1	Seal Kit	Jeu Etancheite	Dichtringsatz	Juego De Juntas	



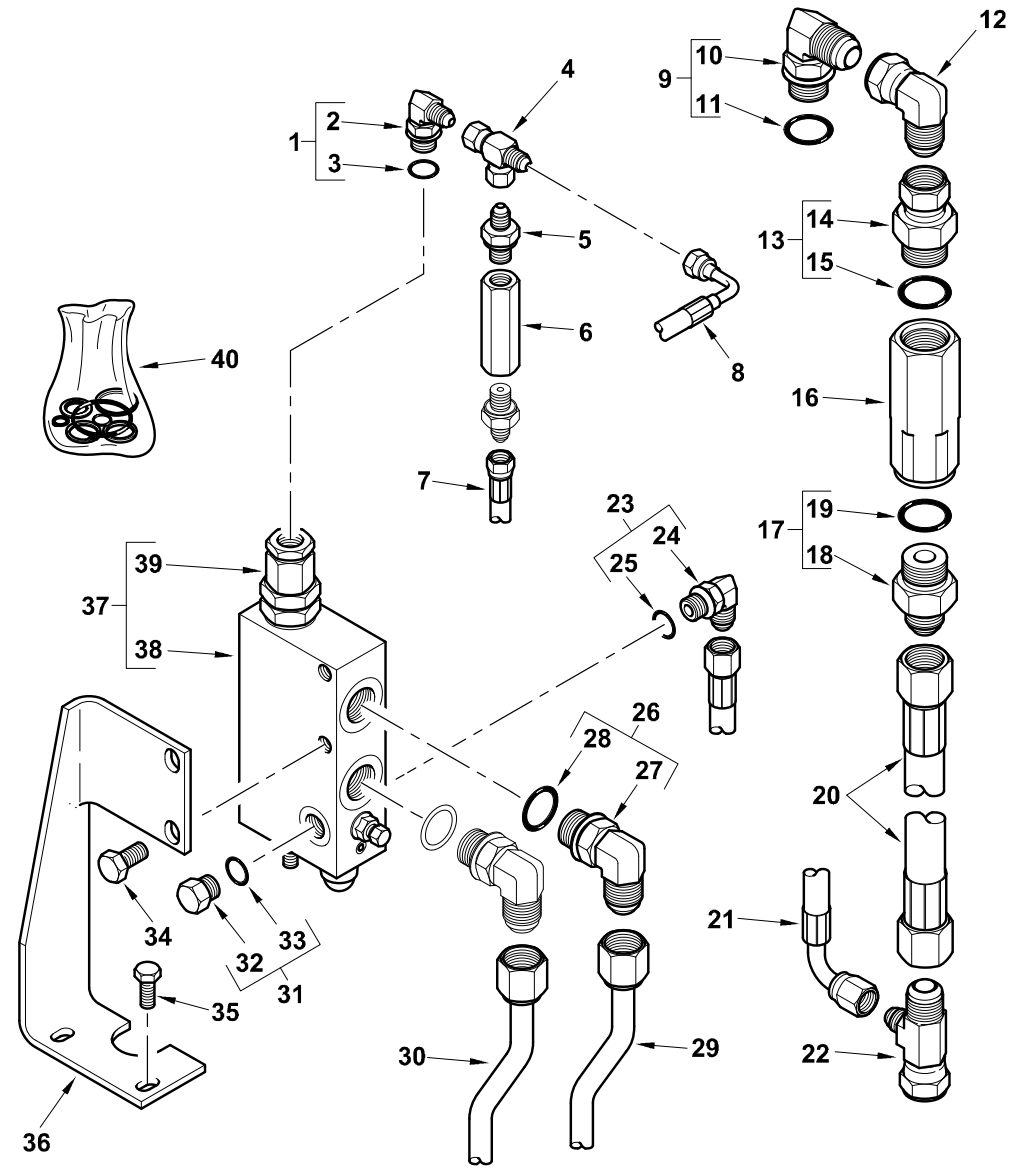
C-98121-01.1-A



Item	Part No.	Qty.	English	French	German	Spanish	Remarks
1	358760X91	1	Elbow 90#7/16-7/16 Unf	Coude, 90	Kniestück, 90°	Codo, 90°	
2	#ELBOW	1	Elbow	Elbow	Elbow	Elbow	Ref. 1
3	831495M1	1	O-Ring	Joint Torique	O-Ring	Junta De Tipo O	
4	6110514M91	1	Union - Swivel Run Tee	Raccord En T	T-Stück	Te	
5	6106088M91	2	Connector, Hydraulic	Borne	Doppelnippel	Conector	
6	6110513M91	1	Check Valve	Clapet Anti-Retour	Ventil, Rückschlag-	Válvula De Parada	
7	6110512M91	1	Hose Assy	Flexible Ass.	Schlauch Kplt	Flexible, Conj.	98120c03.1 1
8	6110512M91	1	Hose Assy	Flexible Ass.	Schlauch Kplt	Flexible, Conj.	
9	835007M91	1	Elbow 90 Degree Adjust	Coude 90°	Kniestück 90°	Codo, 90°	
10	#ELBOW	1	Elbow	Elbow	Elbow	Elbow	Ref. 9
11	835024M1	1	Ring O - Boa	Joint Torique	O Ring	Junta De Tipo O	
12	367386X1	1	Elbow Swiv. 7/8"	Coude	Winkelstuck	Codo, 90°	
13	6109944M91	1	Connector Swivel 1-1/16jicm X 7/8jicf	Ensemble Connexion	Stecker Kpl.	Conexión, Conj.	
14	#CONNECTOR	1	Connector	Connector	Connector	Connector	Ref. 13
15	835025M1	1	Ring O	Joint Torique	O Ring	Junta De Tipo O	
16	6109877M91	1	Check Valve	Clapet Anti-Retour	Ventil, Rückschlag-	Válvula De Parada	
17	365715X91	1	Connector, Hydr.-Straight, 1 1/16 X 7/8	Borne	Doppelnippel	Conexión, Conj.	
18	#CONNECTOR	1	Connector	Connector	Connector	Connector	Ref. 17
19	835025M1	1	Ring O	Joint Torique	O Ring	Junta De Tipo O	
20	6110437M91	1	Hose Assy - Boom Cylinder Head	Flexible Ass.	Schlauch Kplt	Flexible, Conj.	
21	6109247M91	1	Hose Assy - Orb To S-Cyl LH	Flexible Ass.	Schlauch Kplt	Flexible, Conj.	
22	6102014M91	1	Tee-Hose Burst	Raccord	T Stuck	Te	
23	357197X91	1	Elbow & O Ring	Coude	Kniestück, 90°	Codo, 90°	
24	#ELBOW	1	Elbow	Elbow	Elbow	Elbow	Ref. 23
25	831452M1	1	O Ring (Pack Of 10)	Joint Torique	O Ring	Junta De Tipo O	
26	835007M91	2	Elbow 90 Degree Adjust	Coude 90°	Kniestück 90°	Codo, 90°	
27	#ELBOW	1	Elbow	Elbow	Elbow	Elbow	Ref. 26
28	835024M1	1	Ring O - Boa	Joint Torique	O Ring	Junta De Tipo O	
29	6101966M91	1	Hose-Boom Cyl Hose Hose	Flexible Ass.	Schlauch Kplt	Flexible, Conj.	
30	6102472M91	1	Tube-4.9 Boom Cyl Hose Burst	Tuyo	Leitung, Kpl.	Conjunto De Tubería	



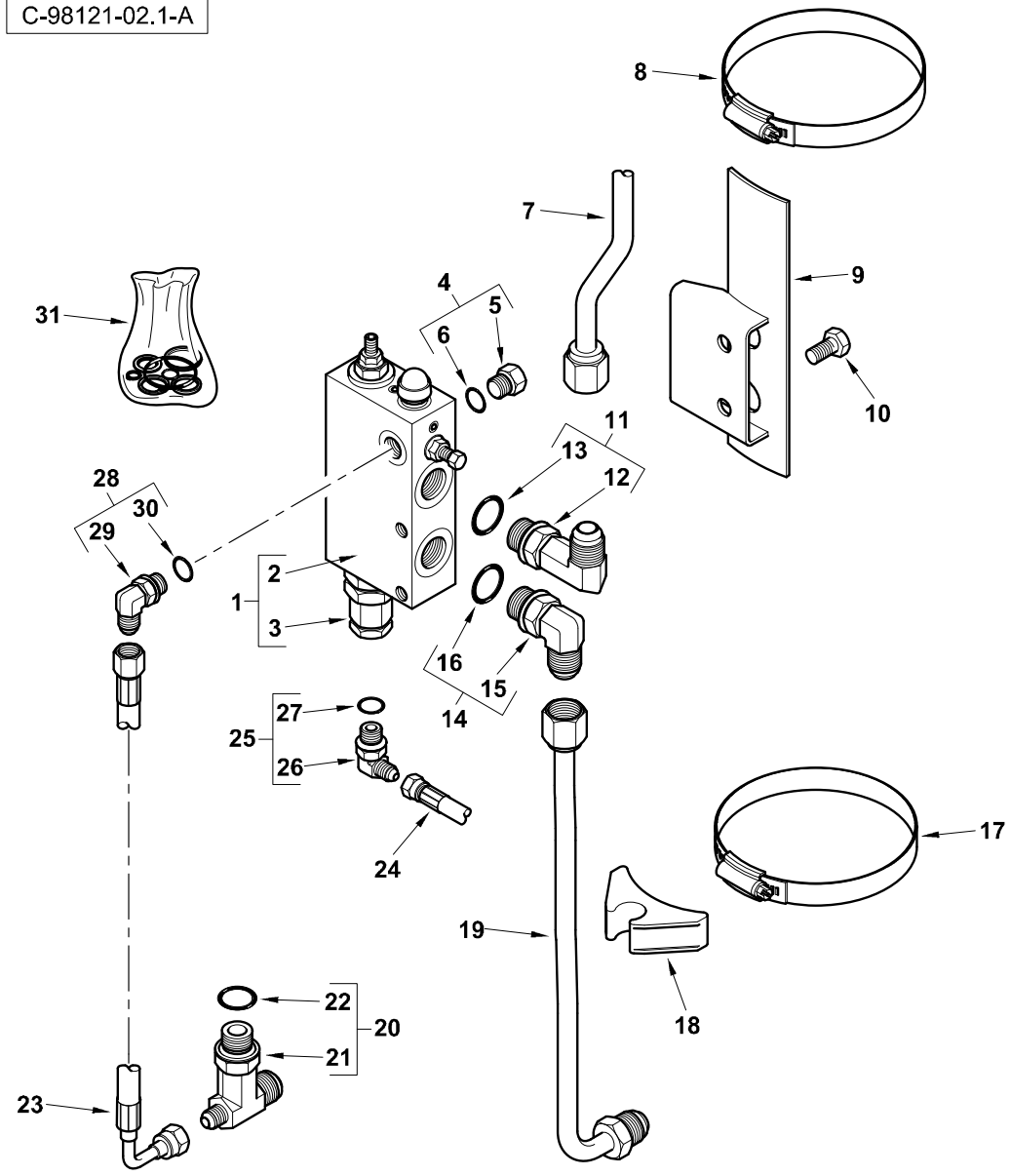
C-98121-01.1-A



Item	Part No.	Qty.	English	French	German	Spanish	Remarks
31	835087M91	1	Plug 9/16"	Bouchon	Stopfen	Tapón, Conj.	
32	#PLUG	1	Plug	Plug	Plug	Plug	Ref. 31
33	831452M1	1	O Ring (Pack Of 10)	Joint Torique	O Ring	Junta De Tipo O	
34	3009491X1	2	Bolt M10 X 20	Boulon	Maschschraube M10	Tornillo	
35	339123X1	2	Bolt M8-20 Z5f	Boulon M8 X 20	Maschschraube M8	Perno	
36	6101960M1	1	Bracket-Boom Cyl Valve	Support	Haltevorrichtung	Pata De Fijación	
37	6109649M91	1	Valve - Hose Burst Boom	Soupape Verrouillage	Sperrventil	Válvula De Bloqueo.	
38	#VALVE	1	Valve	Soupape	Ventil	Válvula	Ref. 37
39	6194035M91	1	Vs5 Pilot Bypass Relief Cartridge	Cartouche	Patrone	Cartucho, Conj.	
40	6194034M91	1	Seal Kit	Jeu Étanchéité	Dichtringsatz	Juego De Juntas	



C-98121-02.1-A

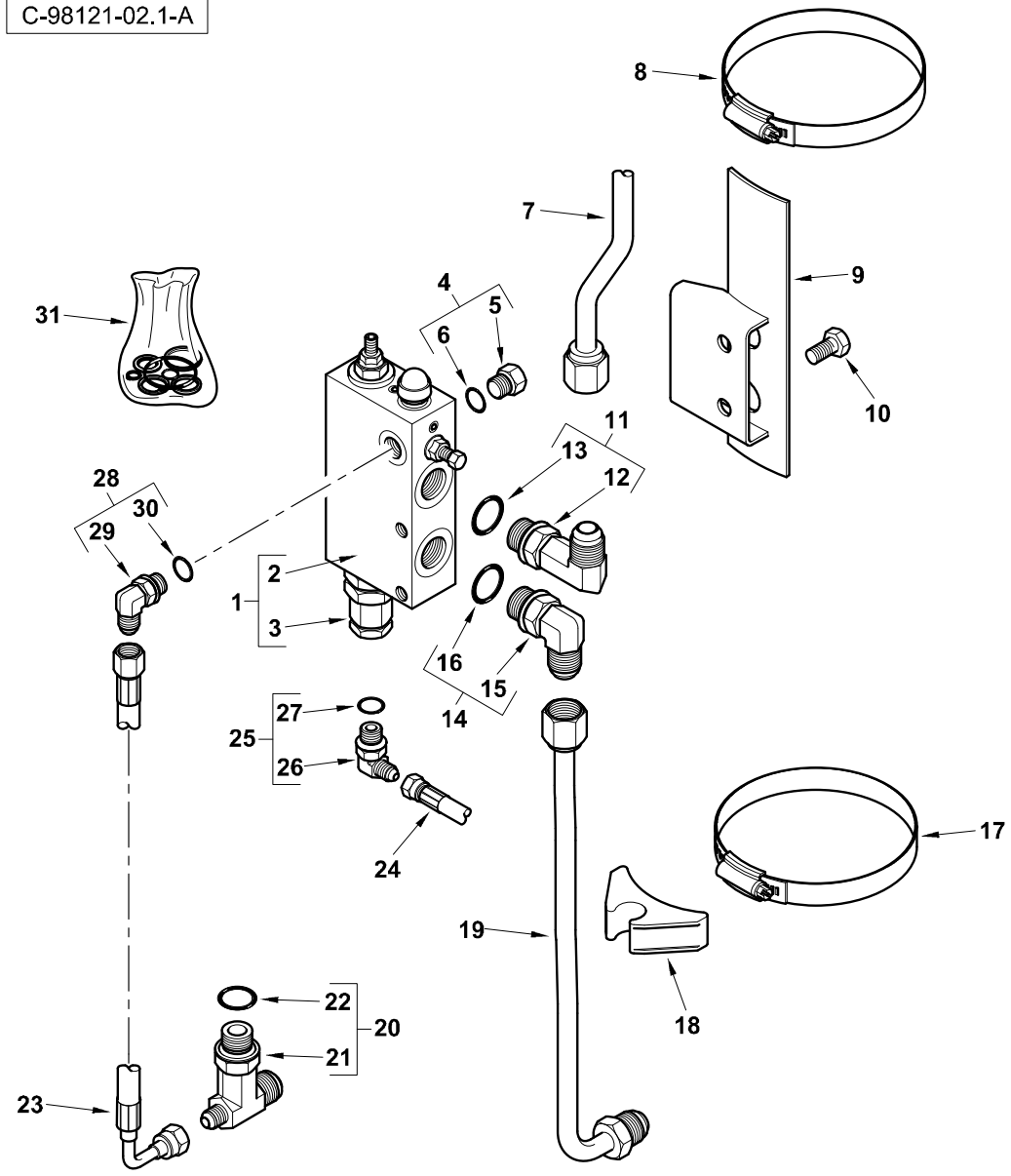




Item	Part No.	Qty.	English	French	German	Spanish	Remarks
1	6109882M91	1	Valve - Hose Burst Dipper	Soupape Verrouillage	Sperrventil	Válvula De Bloqueo.	
2	#VALVE	1	Valve	Soupape	Ventil	Válvula	Ref. 1
3	6194035M91	1	Vs5 Pilot Bypass Relief Cartridge	Cartouche	Patrone	Cartucho, Conj.	
4	835087M91	1	Plug 9/16"	Bouchon	Stopfen	Tapón, Conj.	
5	#PLUG	1	Plug	Plug	Plug	Plug	Ref. 4
6	831452M1	1	O Ring (Pack Of 10)	Joint Torique	O Ring	Junta De Tipo O	
7	6110006M91	1	Tube Assy - Dipper Hose Burst	Tuyauterie	Rohrleitung Kplt	Conjunto De Tubería	
8	3517731M1	2	Clamp-Hose	Bride Pour Tutaux	Schlauchschelle	Argolla De Fijación	
9	6110008M91	1	Bracket Assy - Hose Burst Dipper	Patte Fixation	Halter	Cuchara, Conj.	
10	3009491X1	2	Bolt M10 X 20	Boulon	Maschschraube M10	Tornillo	
11	6101624M91	1	Elbow 90deg-Long	Coude À 90°	Winkelstuck	Codo, 90°	
12	#ELBOW	1	Elbow	Elbow	Elbow	Elbow	Ref. 11
13	835024M1	1	Ring O - Boa	Joint Torique	O Ring	Junta De Tipo O	
14	835007M91	1	Elbow 90 Degree Adjust	Coude 90°	Kniestück 90°	Codo, 90°	
15	#ELBOW	1	Elbow	Elbow	Elbow	Elbow	Ref. 14
16	835024M1	1	Ring O - Boa	Joint Torique	O Ring	Junta De Tipo O	
17	3517732M1	1	Clip, Hose	Collier Durit	Schlauchschelle	Argolla De Fijación	
18	D142787	1	Saddle (See 142787d)	Selle	Sattel	Bloque De Caucho	
19	6110004M91	1	Tube Assy - Dipper Cyl (Hose Burst)	Tuyauterie	Rohrleitung Kplt	Conjunto De Tubería	
20	6101954M91	1	Tee-Long	Raccord	Verschraubung	Te	
21	#TEE	1	Tee	Tee	Tee	Tee	Ref. 20
22	835024M1	1	Ring O - Boa	Joint Torique	O Ring	Junta De Tipo O	
23	6101955M91	1	Hose-Hose Burst Pilot Press.	Flexible Ass.	Schlauch Kplt	Flexible, Conj.	
24	6110512M91	1	Hose Assy	Flexible Ass.	Schlauch Kplt	Flexible, Conj.	
25	358760X91	1	Elbow 90#7/16-7/16 Unf	Coude, 90	Kniestück, 90°	Codo, 90°	
26	#ELBOW	1	Elbow	Elbow	Elbow	Elbow	Ref. 25
27	831495M1	1	O-Ring	Joint Torique	O-Ring	Junta De Tipo O	
28	357197X91	1	Elbow & O Ring	Coude	Kniestück, 90°	Codo, 90°	
29	#ELBOW	1	Elbow	Elbow	Elbow	Elbow	Ref. 28
30	831452M1	1	O Ring (Pack Of 10)	Joint Torique	O Ring	Junta De Tipo O	



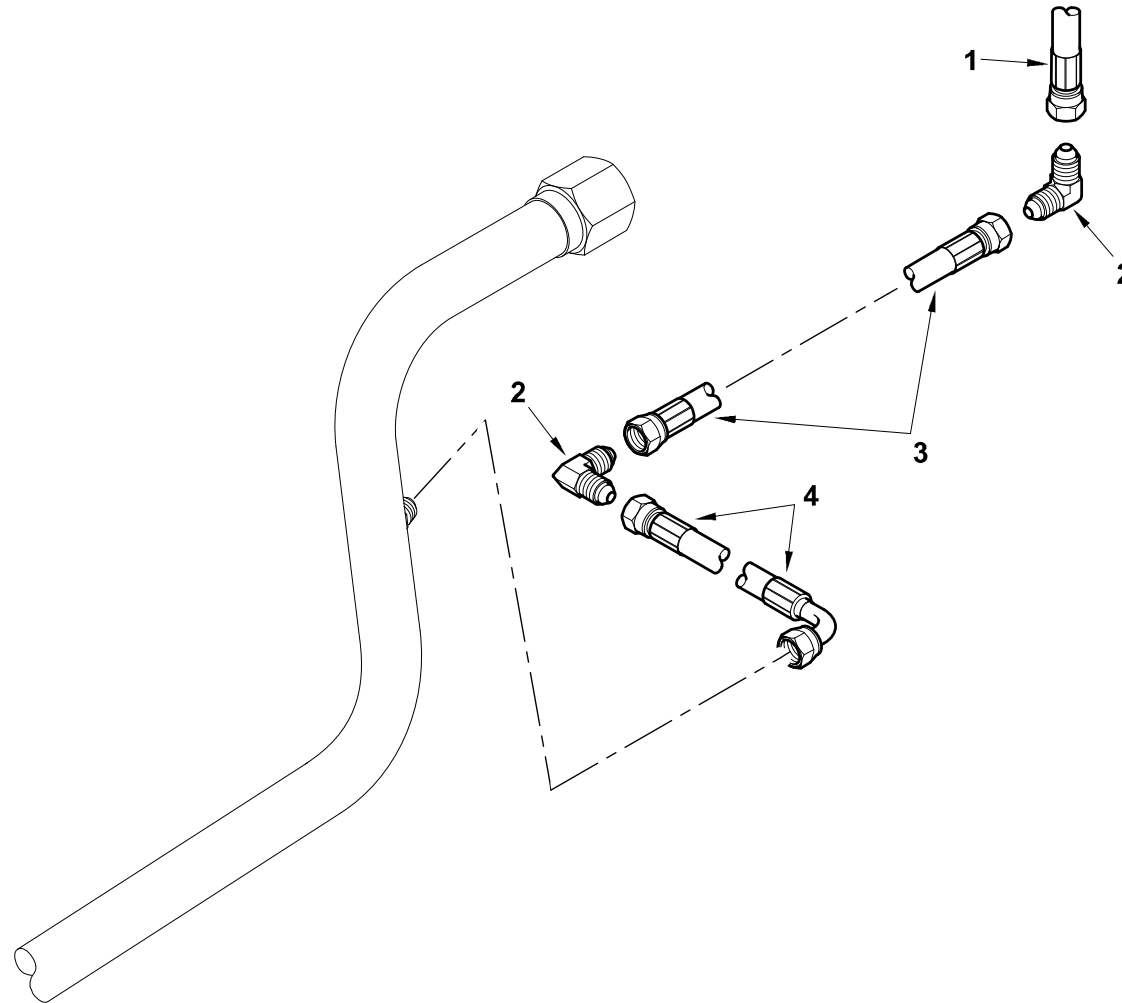
C-98121-02.1-A



<b>Item</b>	<b>Part No.</b>	<b>Qty.</b>	<b>English</b>	<b>French</b>	<b>German</b>	<b>Spanish</b>	<b>Remarks</b>
31	6194036M91	1	Seal Kit	Jeu Etancheite	Dichtringsatz	Juego De Juntas	

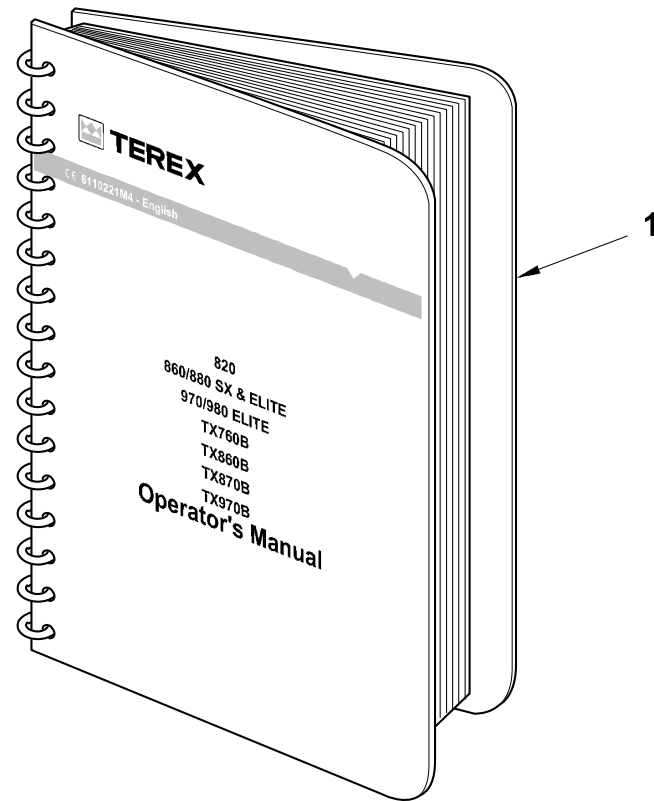


C-98121-03.1-A



<b>Item</b>	<b>Part No.</b>	<b>Qty.</b>	<b>English</b>	<b>French</b>	<b>German</b>	<b>Spanish</b>	<b>Remarks</b>
1	6110512M91	1	Hose Assy	Flexible Ass.	Schlauch Kplt	Flexible, Conj.	98121c01.1 7
2	356373X1	2	Elbow - Hammer Hydraulics	Coude À 90°	Kniestück, 90°	Codo, 90°	
3	6102806M91	1	Hose-Quick Attach	Flexible Ass.	Schlauch Kpl	Flexible, Conj.	
4	3519226M91	1	Hose Assy	Flexible Ass.	Schlauch Kpl	Flexible, Conj.	

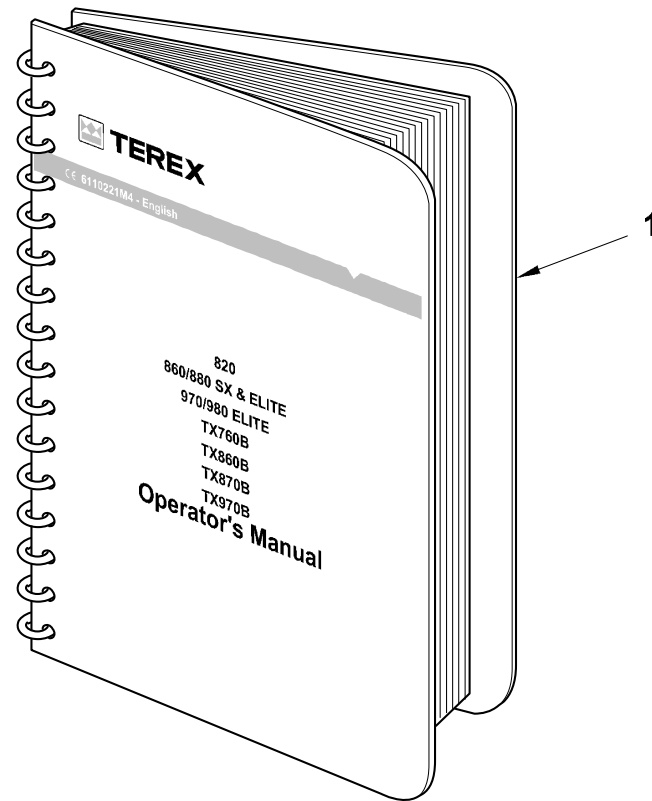
C-98135-01.1-A



<b>Item</b>	<b>Part No.</b>	<b>Qty.</b>	<b>English</b>	<b>French</b>	<b>German</b>	<b>Spanish</b>	<b>Remarks</b>
1	6110221M6	1	Oib - General Markets (English)	Guide Utilisat.	Betriebsanleitung	Libro De Instruccion Del Operador	



C-98223-01.1-A

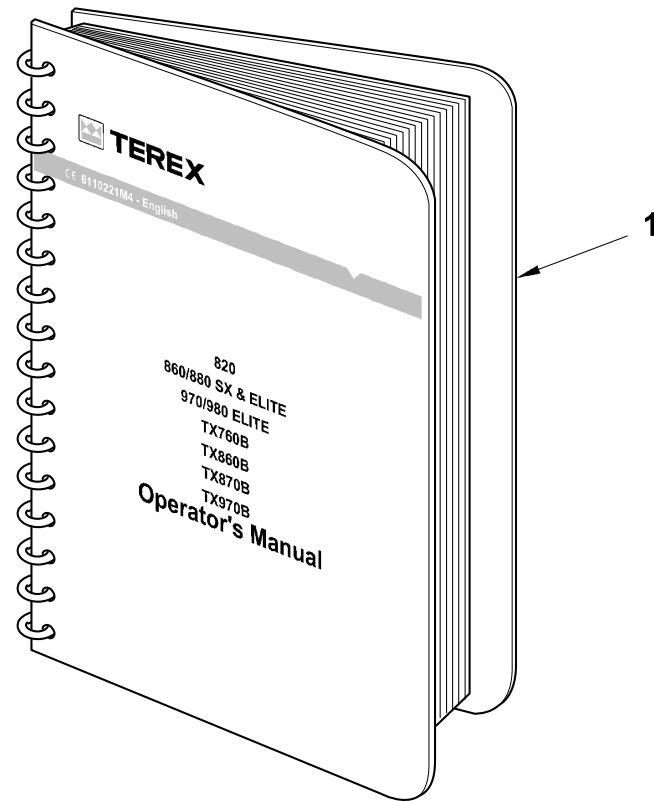




<b>Item</b>	<b>Part No.</b>	<b>Qty.</b>	<b>English</b>	<b>French</b>	<b>German</b>	<b>Spanish</b>	<b>Remarks</b>
1	6110225M6	1	Oib - (Spanish)	Guide Utilisat.	Betriebsanleitung	Libro De Instruccion Del Operador	



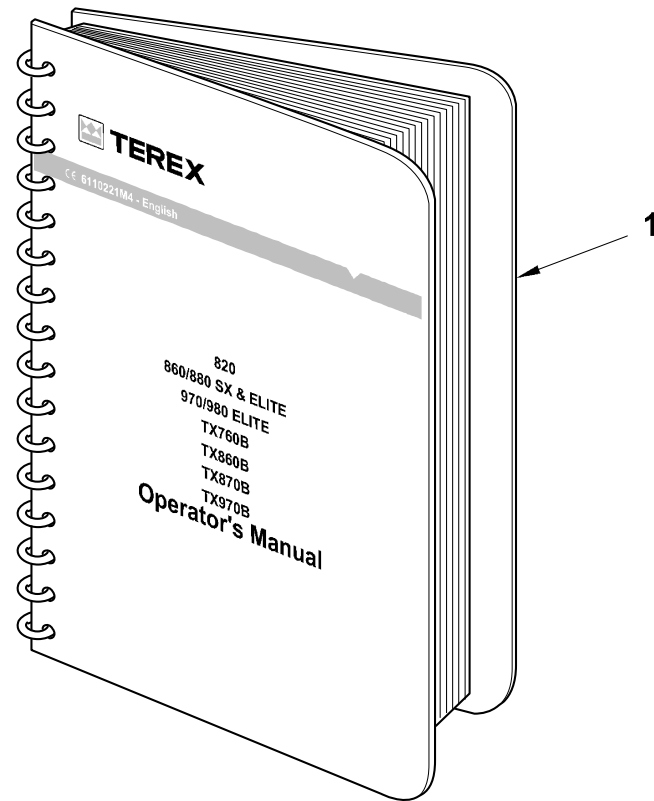
C-98224-01.1-A



<b>Item</b>	<b>Part No.</b>	<b>Qty.</b>	<b>English</b>	<b>French</b>	<b>German</b>	<b>Spanish</b>	<b>Remarks</b>
1	6110222M6	1	Oib - (French)	Guide Utilisat.	Betriebsanleitg	Folleto	



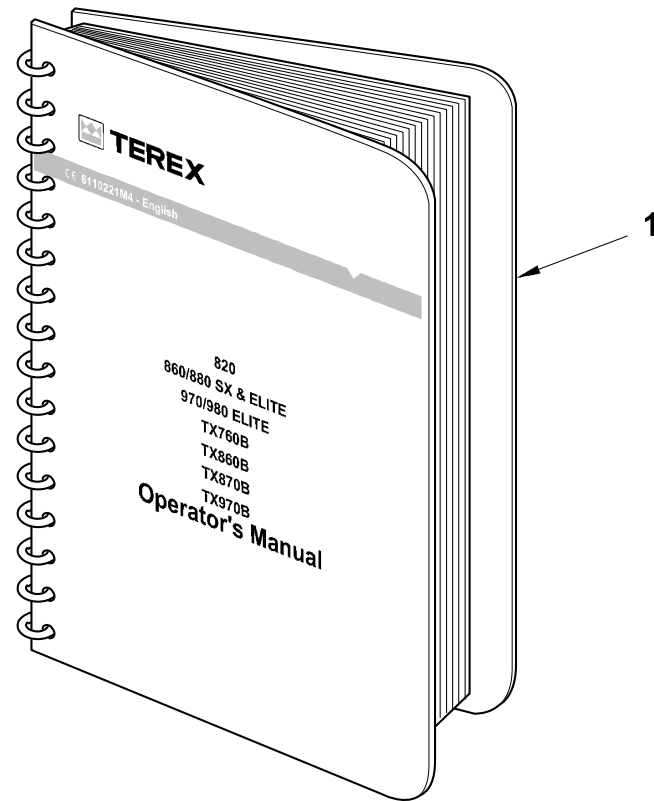
C-98225-01.1-A



<b>Item</b>	<b>Part No.</b>	<b>Qty.</b>	<b>English</b>	<b>French</b>	<b>German</b>	<b>Spanish</b>	<b>Remarks</b>
1	6110223M6	1	Oib - (German)	Guide Utilisat.	Betriebsanleitung	Libro De Instruccion Del Operador	



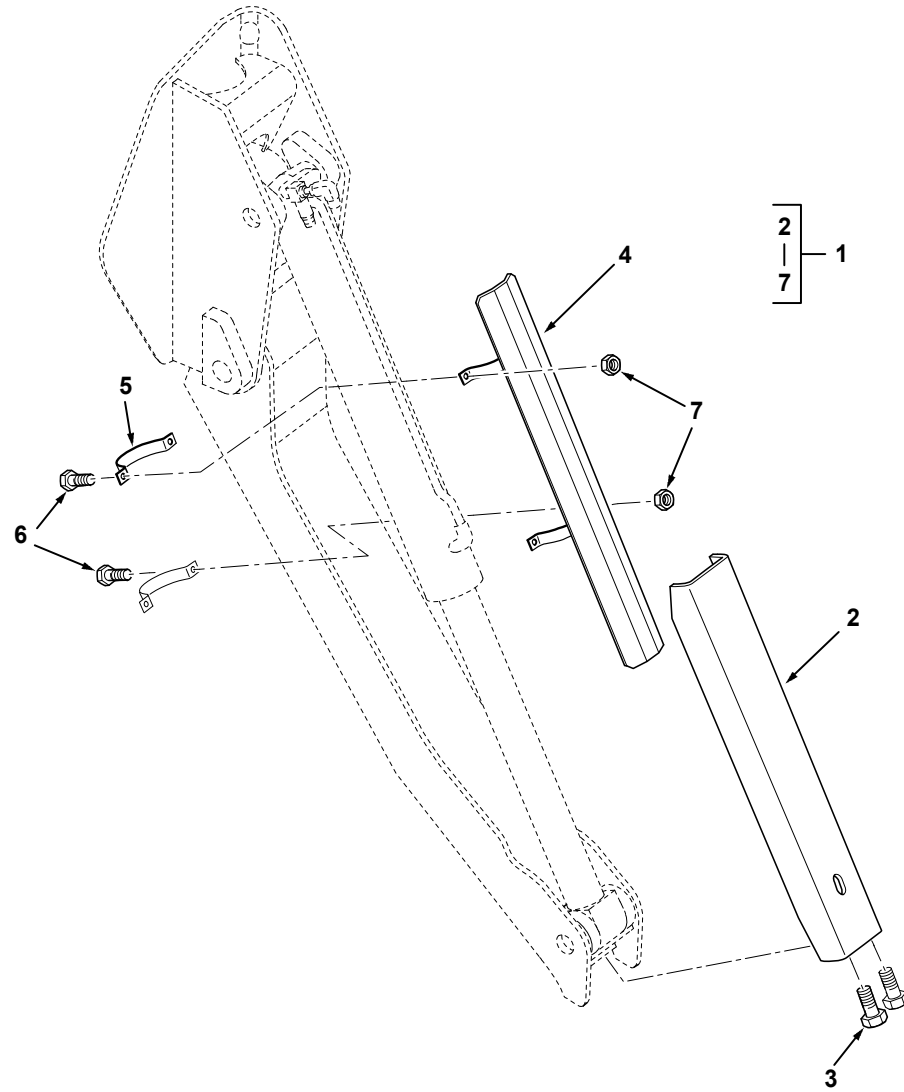
C-98227-01.1-A



<b>Item</b>	<b>Part No.</b>	<b>Qty.</b>	<b>English</b>	<b>French</b>	<b>German</b>	<b>Spanish</b>	<b>Remarks</b>
1	6110227M6	1	Operator Instruction Book (Danish)	Guide Utilisat.	Betriebsanleitung	Libro De Instruccion Del Operador	



C-98104-01.1-A

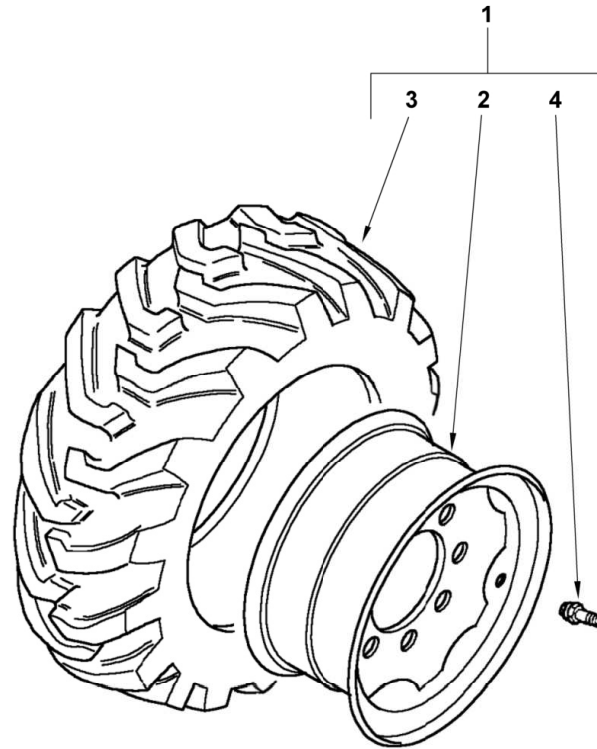




Item	Part No.	Qty.	English	French	German	Spanish	Remarks
1	6107964M92	1	Kit - Rockguard C/M Stab	Jeu Rarants	Schutz Klp	Protector, Conj.	
2	6107962M92	2	Rockguard W/A Stab Cyl	Garde	Schutzorr	Defensa	
3	339081X1	4	Screw - Hex HD M10 X 20 ISO 8.8 Zn	Vis	Schraube	Tornillo	
4	6107963M92	2	Guide-Rockguard	Guide	Führung	Guia	
5	6108012M2	4	Clamp-Rockguard	Collier De Serrage	Klemme	Argolla De Cierre	
6	339761X1	8	Bolt M8-25 Z5f	Goupille	Bolzen M8 X 25	Tornillo	
7	394367X1	8	Nut, Hex. - Nyloc, M8	Ecrou Blocage M8	Flachmutter - M8	Tuerca De Retención	



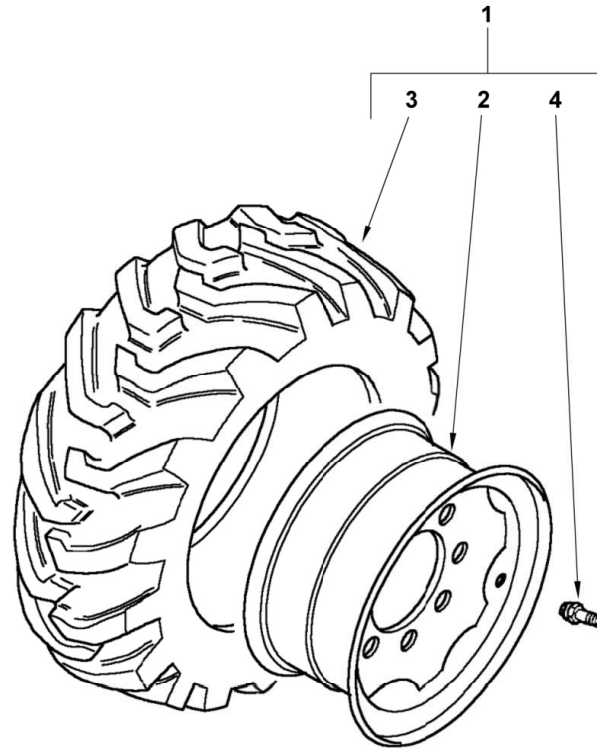
C-98166-01.1-A



<b>Item</b>	<b>Part No.</b>	<b>Qty.</b>	<b>English</b>	<b>French</b>	<b>German</b>	<b>Spanish</b>	<b>Remarks</b>
1	6108063M91Y02	1	Wheel/Tyre Assembly LH (Benford Yellow)	Roue Et Pneu	Rad Mit Bereifg	Rueda, Conj.	
2	6103183M91Y02	1	Wheel Rim W15I X 24	Roue	Rad	Llanta	
3	3517779M2	1	Tyre 16.9-24 12ply Isg	Pneu	Reifen	Neumático	
4	842537M1	1	Valve Wheel Boa	Soupape	Ventilspindel	Válvula De In•ado	

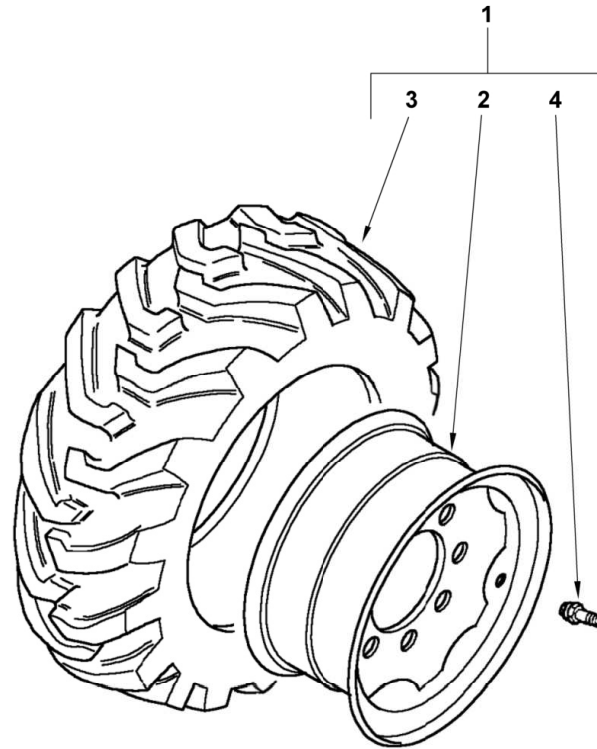


C-98167-01.1-A



<b>Item</b>	<b>Part No.</b>	<b>Qty.</b>	<b>English</b>	<b>French</b>	<b>German</b>	<b>Spanish</b>	<b>Remarks</b>
1	6108065M91Y02	2	Wheel/Tyre Assembly LH (Benford Yellow)	Ensemble De Roue	Rad Mit Bereifg	Rueda, Conj.	
2	6103183M91Y02	1	Wheel Rim W15I X 24	Roue	Rad	Llanta	
3	6106242M1	1	Tyre 16.9-24 14ply Nokia	Pneumatique	Reifen	Neumático	
4	842537M1	1	Valve Wheel Boa	Soupape	Ventilspindel	Válvula De In•ado	

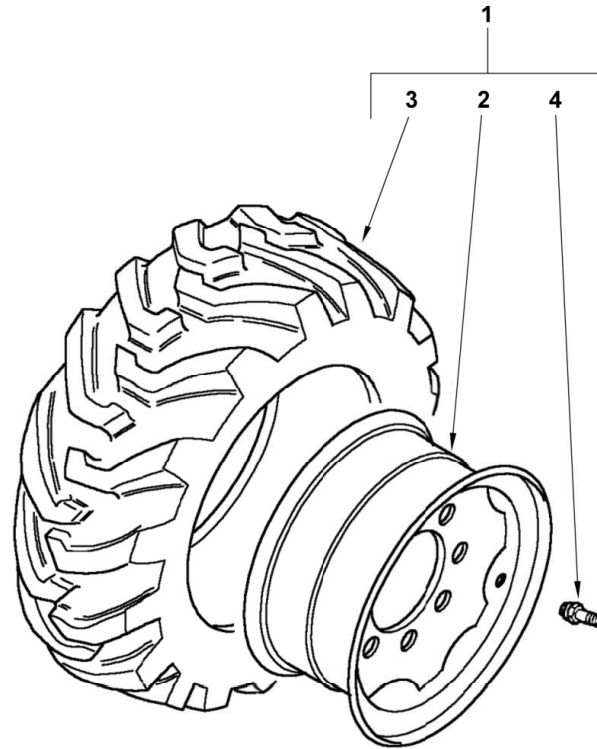
C-98168-01.1-A



<b>Item</b>	<b>Part No.</b>	<b>Qty.</b>	<b>English</b>	<b>French</b>	<b>German</b>	<b>Spanish</b>	<b>Remarks</b>
1	6108067M91Y02	1	Wheel/Tyre Assemble LH (Benford Yellow)	Roue Et Pneu	Rad Mit Bereifg	Rueda, Conj.	
2	6103183M91Y02	1	Wheel Rim W15I X 24	Roue	Rad	Llanta	
3	6100225M1	1	Tyre 17.5I-24 Xm27 Michelin	Pneumatique	Reifen	Neumático	
4	842537M1	1	Valve Wheel Boa	Soupape	Ventilspindel	Válvula De In•ado	



C-98178-01.1-A

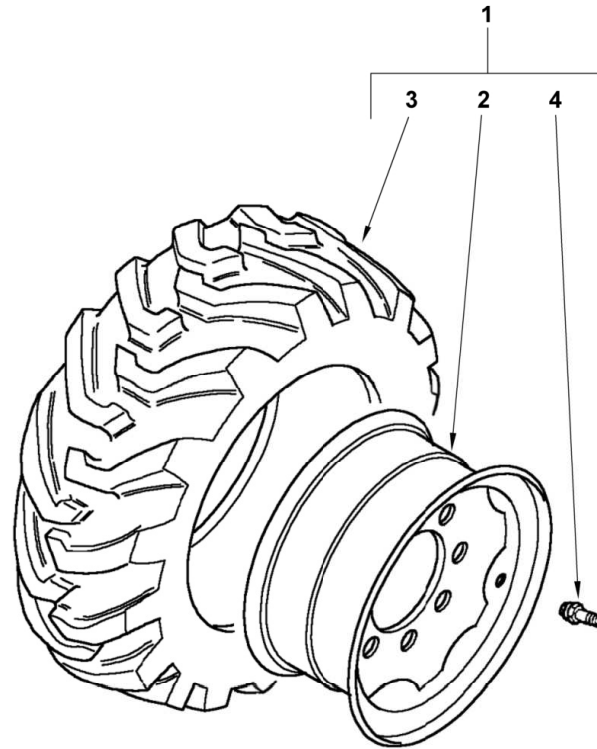




Item	Part No.	Qty.	English	French	German	Spanish	Remarks
1	6108063M91W01	1	Wheel/Tyre Assy Lh(Terex White)16.9x24	Roue Et Pneu	Rad Mit Bereifg	Rueda, Conj.	
2	6103183M91W01	1	Wheel Rim Assy W151 X 24 (Terex White)	Roue	Rad	Llanta	
3	3517779M2	1	Tyre 16.9-24 12ply lsg	Pneu	Reifen	Neumático	
4	842537M1	1	Valve Wheel Boa	Soupape	Ventilspindel	Válvula De In•ado	



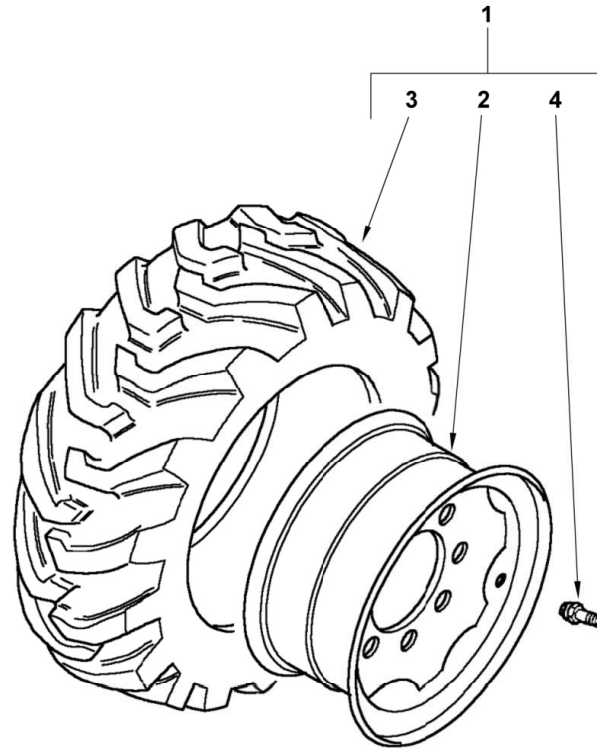
C-98179-01.1-A



<b>Item</b>	<b>Part No.</b>	<b>Qty.</b>	<b>English</b>	<b>French</b>	<b>German</b>	<b>Spanish</b>	<b>Remarks</b>
1	6108065M91W01	2	Wheel/Tyre Assy LH (Terex White)	Roue Et Pneu	Rad Mit Bereifg	Rueda, Conj.	
2	6103183M91W01	1	Wheel Rim Assy W151 X 24 (Terex White)	Roue	Rad	Llanta	
3	6106242M1	1	Tyre 16.9-24 14ply Nokia	Pneumatique	Reifen	Neumático	
4	842537M1	1	Valve Wheel Boa	Soupape	Ventilspindel	Válvula De In•ado	



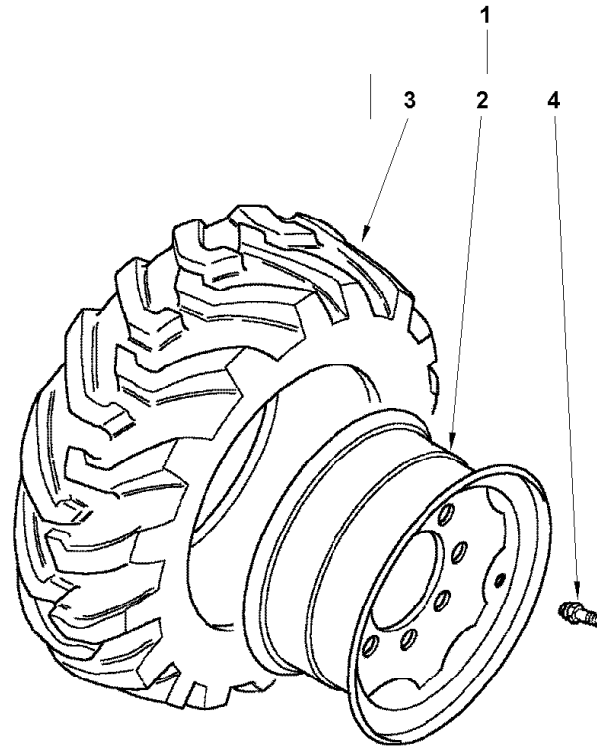
C-98180-01.1-A



<b>Item</b>	<b>Part No.</b>	<b>Qty.</b>	<b>English</b>	<b>French</b>	<b>German</b>	<b>Spanish</b>	<b>Remarks</b>
1	6108067M91W01	1	Wheel/Tyre Assy LH (Terex White)	Roue Et Pneu	Rad Mit Bereifg	Rueda, Conj.	
2	6103183M91W01	1	Wheel Rim Assy W151 X 24 (Terex White)	Roue	Rad	Llanta	
3	6100225M1	1	Tyre 17.5I-24 Xm27 Michelin	Pneumatique	Reifen	Neumático	
4	842537M1	1	Valve Wheel Boa	Soupape	Ventilspindel	Válvula De In•ado	



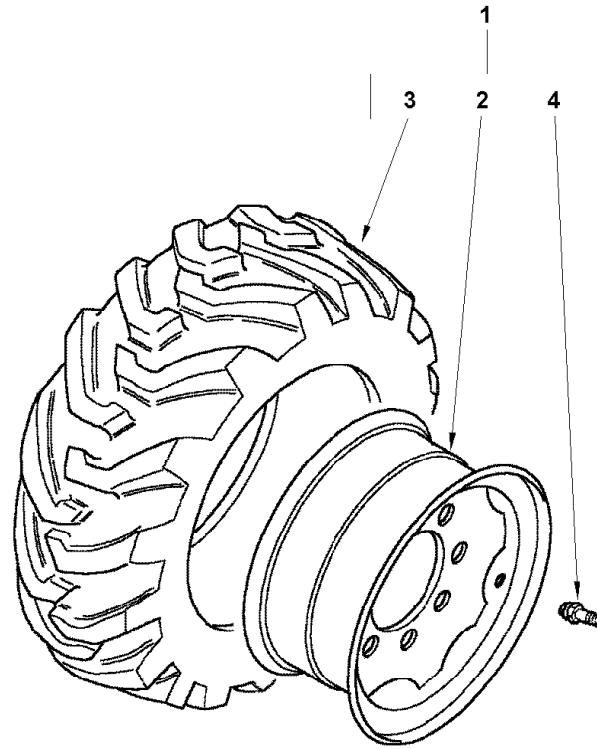
C-98214-01.1-A



<b>Item</b>	<b>Part No.</b>	<b>Qty.</b>	<b>English</b>	<b>French</b>	<b>German</b>	<b>Spanish</b>	<b>Remarks</b>
1	6110745M91W01	1	Wheel & Tyre LH (Terex White)	Roue Et Pneu	Rad Mit Bereifg	Rueda, Conj.	
2	6103183M91W01	1	Wheel Rim Assy W151 X 24 (Terex White)	Roue	Rad	Llanta	
3	6110759M1	1	Tyre - Mitas 16.9 X 24 12p Ti-04 Ind	Pneu	Reifen	Neumático	
4	842537M1	1	Valve Wheel Boa	Soupape	Ventilspindel	Válvula De In•ado	



C-98215-01.1-A

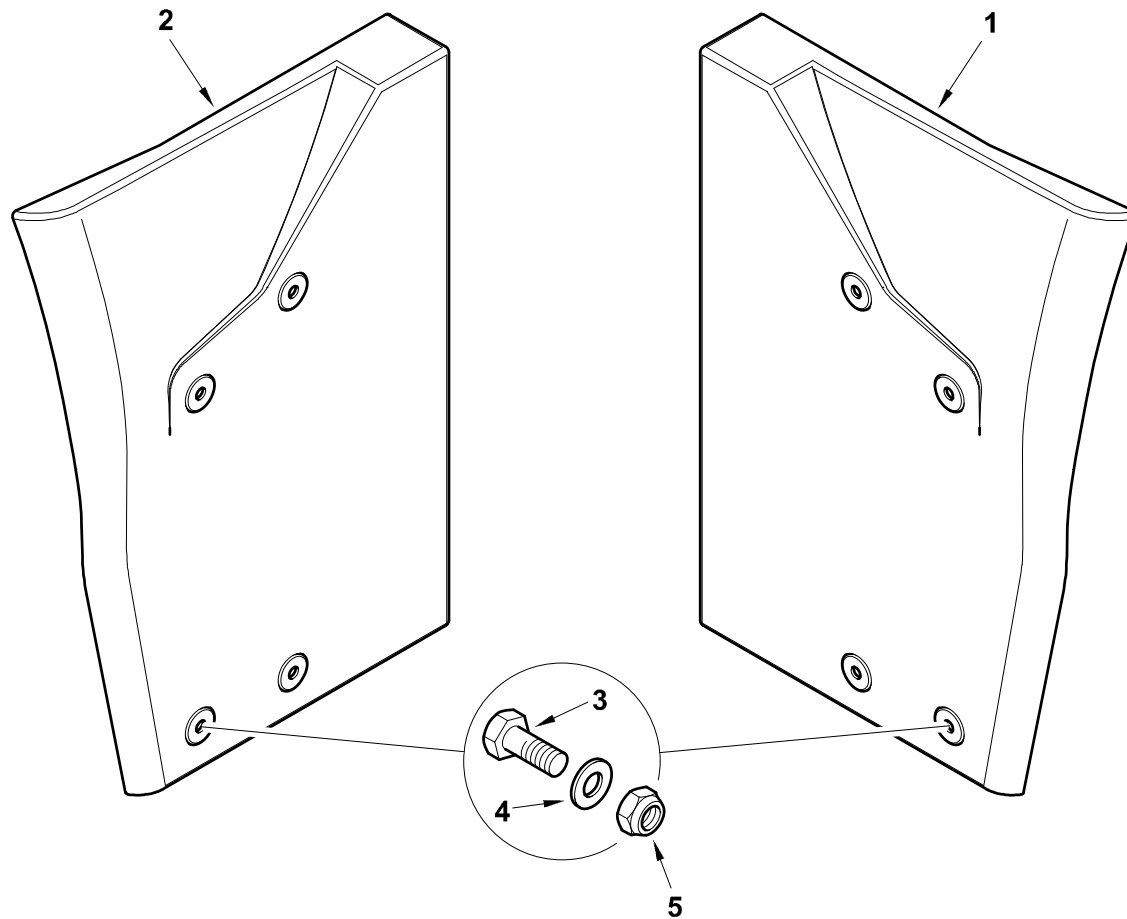




<b>Item</b>	<b>Part No.</b>	<b>Qty.</b>	<b>English</b>	<b>French</b>	<b>German</b>	<b>Spanish</b>	<b>Remarks</b>
1	6110745M91Y02	1	Wheel & Tyre LH (Benford Yellow)	Roue Et Pneu	Rad Mit Bereifg	Rueda, Conj.	
2	6103183M91Y02	1	Wheel Rim W15I X 24	Roue	Rad	Llanta	
3	6110759M1	1	Tyre - Mitas 16.9 X 24 12p Ti-04 Ind	Pneu	Reifen	Neumático	
4	842537M1	1	Valve Wheel Boa	Soupape	Ventilspindel	Válvula De In•ado	



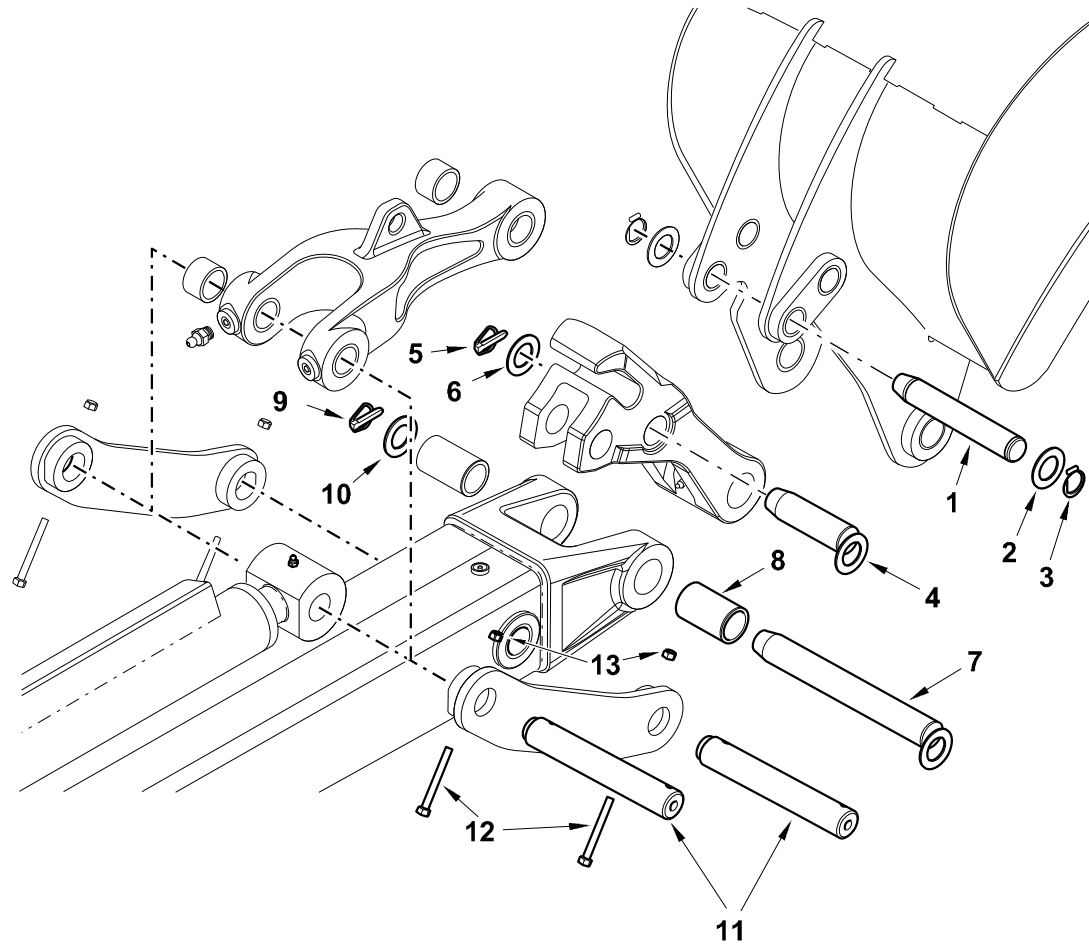
C-98233-01.1-A



Item	Part No.	Qty.	English	French	German	Spanish	Remarks
1	6102038M1	1	Fender Extension LH	Rallonge	Verlängerung	Guardafango	
2	6102039M1	1	Fender Extension RH	Aile	Kot•ugel	Guardafango	
3	339123X1	8	Bolt M8-20 Z5f	Boulon M8 X 20	Maschschraube M8	Perno	
4	391039X1	8	Washer M8-24-2 Z	Rondelle M8	Scheibe M8	Arandela	
5	394367X1	8	Nut, Hex. - Nyloc, M8	Ecrou Blocage M8	Flachmutter - M8	Tuerca De Retención	



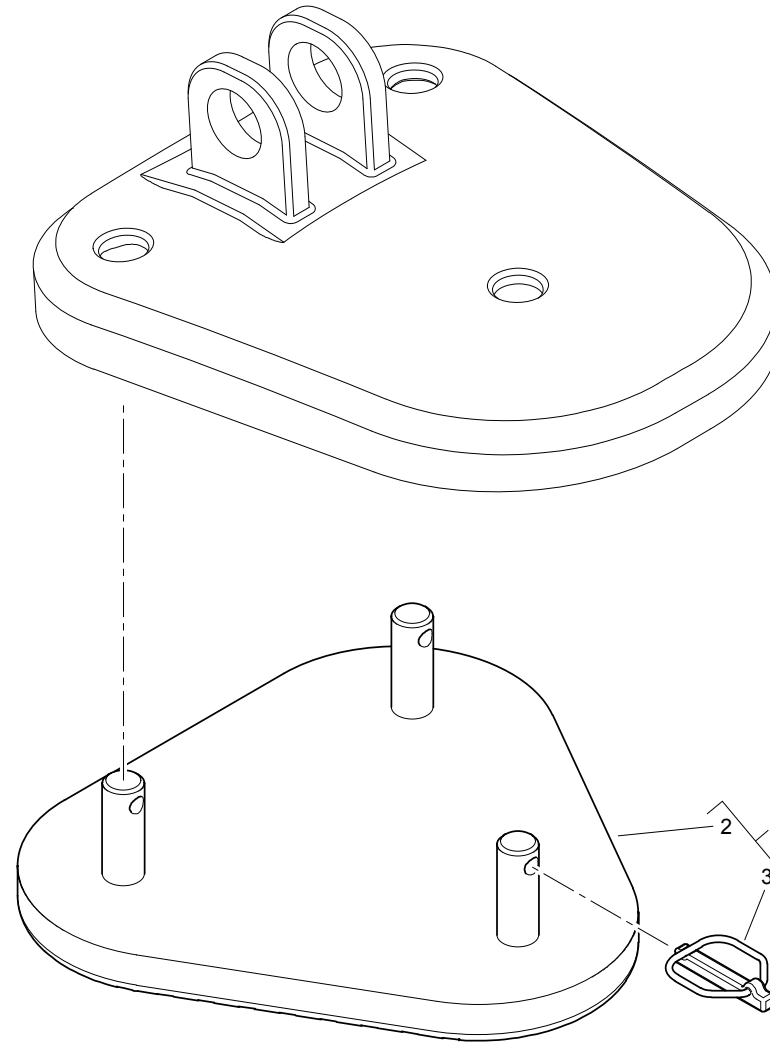
C-98266-01.1-A



Item	Part No.	Qty.	English	French	German	Spanish	Remarks
1	D37614	1	Pin, 1.5" X 9.68" - Case Digger Link	Goupille	Bolzen	Pasador	
2	D143324	2	Washer - Case Digger Bucket Linkage	Rondelle	Scheibe	Arandela	
3	D25279	2	Circlip- Case Digger Bucket Linkage	Code Accessoire	Zubehör Code	Código Accesorio	
4	D140653	1	Pin Assy. - 44mm X 152mm, Case Bkt. Link	Goupille Ass.	Bolzen Kplt	Pasador, Conj.	
5	392181R1	1	Linch Pin & Ring - Case Bucket Linkage	Goupille D´Arrêt	Klappstecker	Pasador De Parada	
6	3501790M1	1	Washer M46-65-5 Z	Rondelle	Scheibe	Arandela	
7	D140655	1	Pin Assy. - 44mm X 349mm, Case Bkt. Link	Goupille Ass	Bolzen Kplt	Pasador, Conj.	
8	D127168	2	Bushing - Case Bucket Linkage	Bague	Büchse	Anillo	
9	392181R1	1	Linch Pin & Ring - Case Bucket Linkage	Goupille D´Arrêt	Klappstecker	Pasador De Parada	
10	3501790M1	1	Washer M46-65-5 Z	Rondelle	Scheibe	Arandela	
11	3522696M2	2	Pin 307 Dgr Links	Goupille	Bolzen	Pasador	
12	1441106X1	4	Bolt M10 X 100 - Zinc (Iso 10.9)	Boulon	Bolzen	Tornillo	
13	1440329X1	4	Nut, Hex. - Nyloc, M10	Ecrou Blocage	Flachmutter M10	Tuerca De Retención	



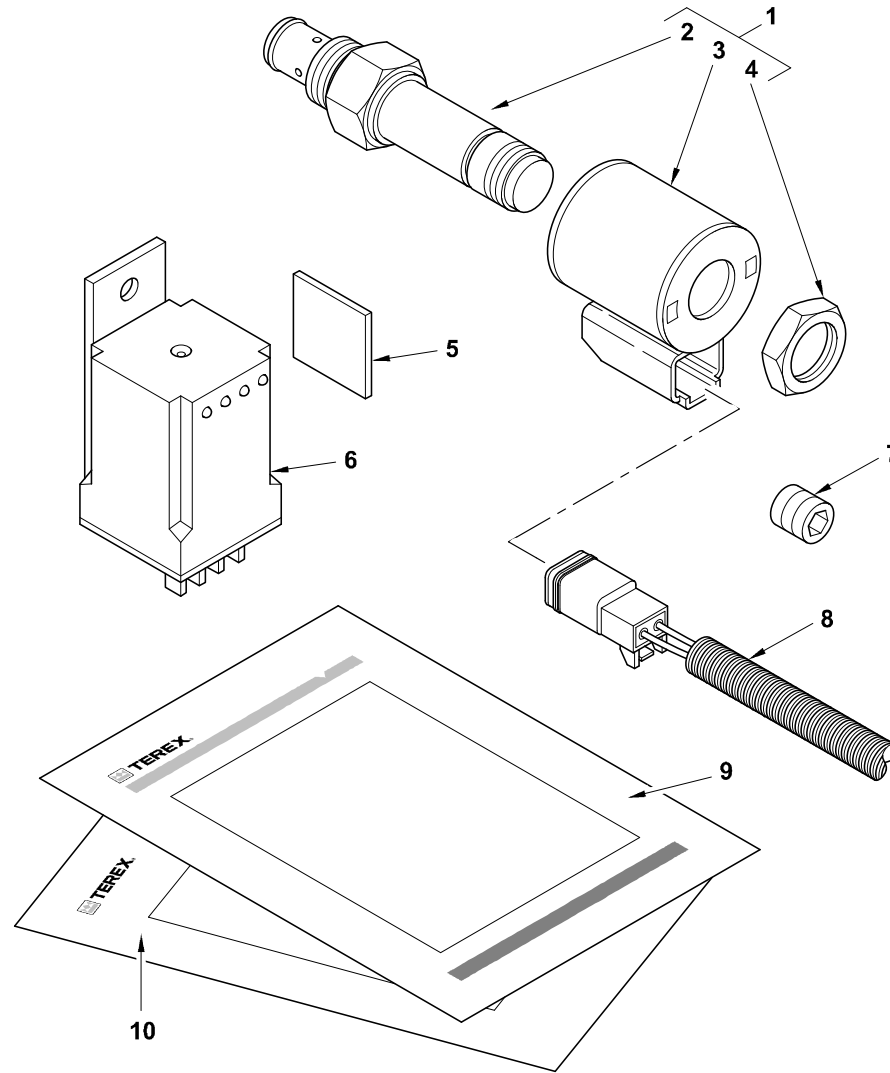
C-98299-01.1-A



Item	Part No.	Qty.	English	French	German	Spanish	Remarks
1	6111279M91	2	Street Pad - For Stab Foot 6112386m1	Plaque Antidérapante	Zwischenlage	Cinta Antideslizante	
2	6111280M1	1	Street Pad Ss	Plaque Antidérapante	Zwischenlage	Cinta Antideslizante	
3	3516522M91	3	Pin Safety Linch	Goupille D´Arrêt	Klappstecker	Pasador De Parada	



C-98349-01.1-B

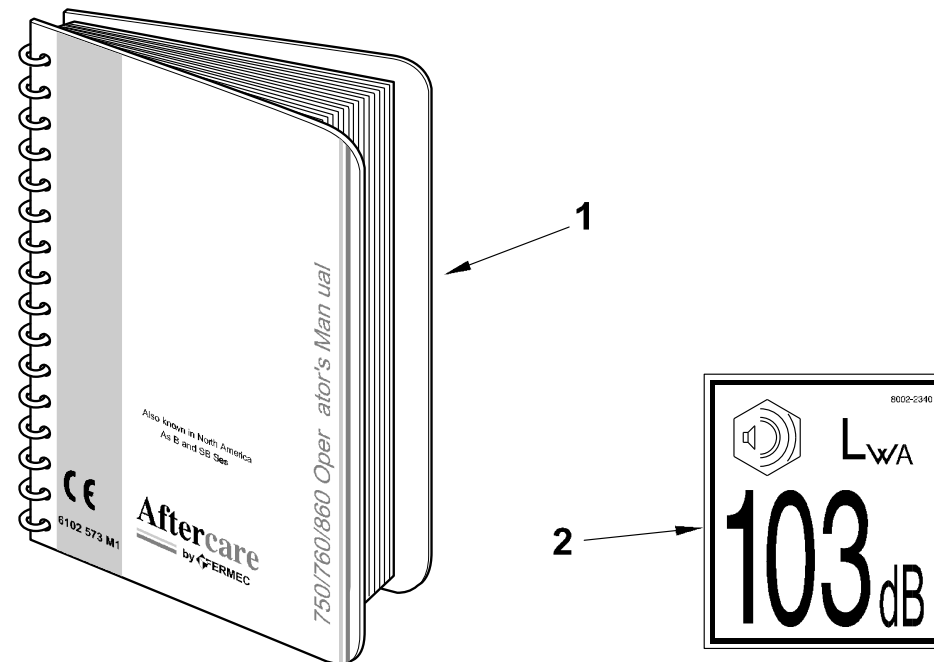




Item	Part No.	Qty.	English	French	German	Spanish	Remarks
1	6114959M91	1	Proportional Relief Valve	Proportional Relief Valve	Proportional Relief Valve	Proportional Relief Valve	
2	6114978M91	1	Proportional Relief Cartridge	Cartouche	Patrone	Elemento Filtro	
3	6114979M91	1	Proportional Coil	Bobine	Magnetspule	Bobina	
4	#NUT	1	Nut	Ecrou	Mutter	Tuerca	Ref. 2
5	6110700M91	1	Velcro Strip 25x25	Bande D'Étanchéité	Streifen - Velcro	Banda Estanqueidad	
6	6114958M91	1	Elect Controller Solenoid Driver Module	Controle	Steuerung	Mando	
7	T101314	1	Grub Screw - 0.8mm Dia Ori•ce	Vis Sans Tete	Gewindestift	Tornillo Presor	
8	6114957M91	1	Harness - Solenoid Driver	Faisceau	Beschirrung	Arnes	
9	T101071	1	Fitting Instructions - Tier 3 Upgrade Kit	Fitting Instructions - Tier 3 Upgrade Kit	Fitting Instructions - Tier 3 Upgrade Kit	Fitting Instructions - Tier 3 Upgrade Kit	
10	T101436	1	Instructions - Electronic Module Adjustment	Instructions	Repanleitung	Instrucciones	



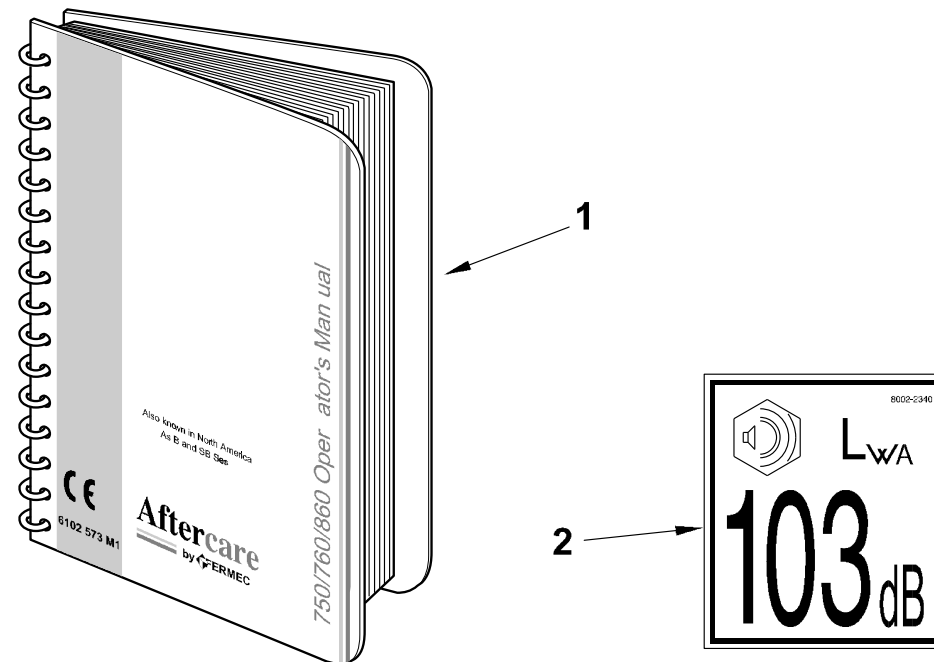
C-96020-01.1-B



<b>Item</b>	<b>Part No.</b>	<b>Qty.</b>	<b>English</b>	<b>French</b>	<b>German</b>	<b>Spanish</b>	<b>Remarks</b>
1	6110225M6	1	Oib - (Spanish)	Guide Utilisat.	Betriebsanleitung	Libro De Instruccion Del Operador	
1	6110221M6	1	Oib - General Markets (English)	Guide Utilisat.	Betriebsanleitung	Libro De Instruccion Del Operador	
2	8002-2340	1	Noise Decal Lwa 103	Decalcolmanie	Abziehbild	Placa	



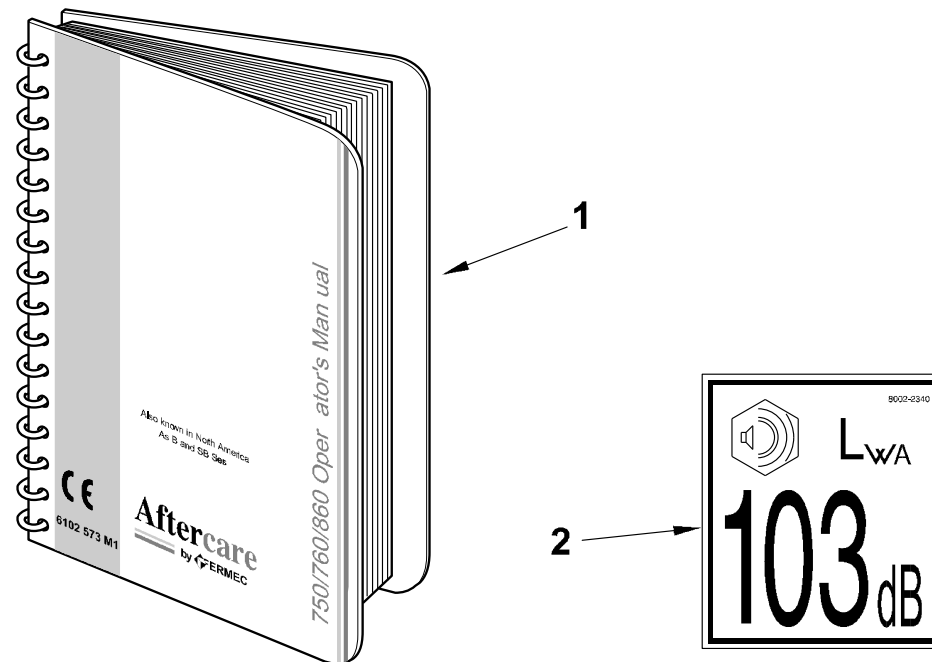
C-96021-01.1-B



<b>Item</b>	<b>Part No.</b>	<b>Qty.</b>	<b>English</b>	<b>French</b>	<b>German</b>	<b>Spanish</b>	<b>Remarks</b>
1	6110229M6	1	Oib - (Finnish)	Guide Utilisat.	Betriebsanleitung	Libro De Instrucciones Del Operador	
1	6110221M6	1	Oib - General Markets (English)	Guide Utilisat.	Betriebsanleitung	Libro De Instruccion Del Operador	
2	8002-2340	1	Noise Decal Lwa 103	Decalcolmanie	Abziehbild	Placa	



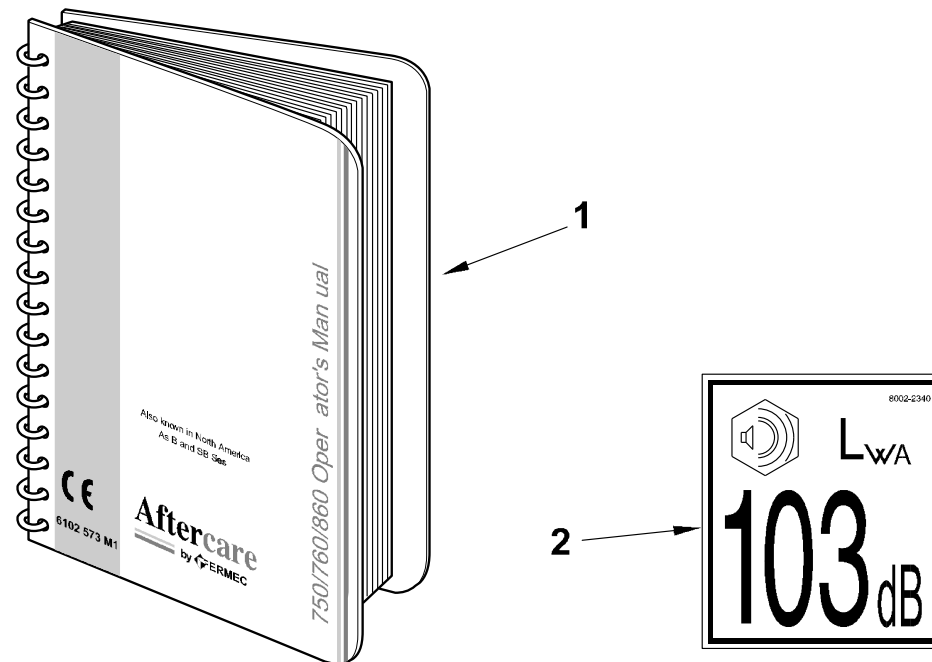
C-96041-01.1-B



<b>Item</b>	<b>Part No.</b>	<b>Qty.</b>	<b>English</b>	<b>French</b>	<b>German</b>	<b>Spanish</b>	<b>Remarks</b>
1	6110221M6	1	Oib - General Markets (English)	Guide Utilisat.	Betriebsanleitung	Libro De Instruccion Del Operador	
2	8002-2340	1	Noise Decal Lwa 103	Decalcolmanie	Abziehbild	Placa	



C-96042-01.1-B

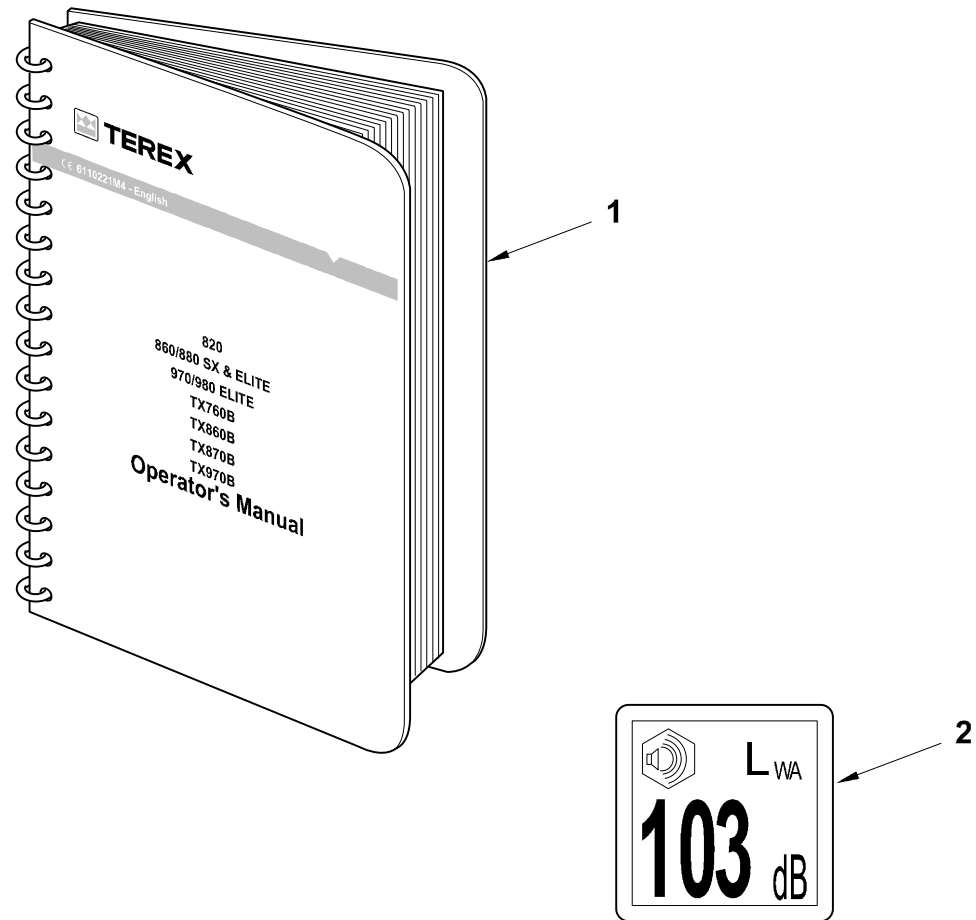




<b>Item</b>	<b>Part No.</b>	<b>Qty.</b>	<b>English</b>	<b>French</b>	<b>German</b>	<b>Spanish</b>	<b>Remarks</b>
1	6110222M6	1	Oib - (French)	Guide Utilisat.	Betriebsanleitg	Folleto	
1	6110221M6	1	Oib - General Markets (English)	Guide Utilisat.	Betriebsanleitung	Libro De Instruccion Del Operador	
2	8002-2340	1	Noise Decal Lwa 103	Decalcolmanie	Abziehbild	Placa	



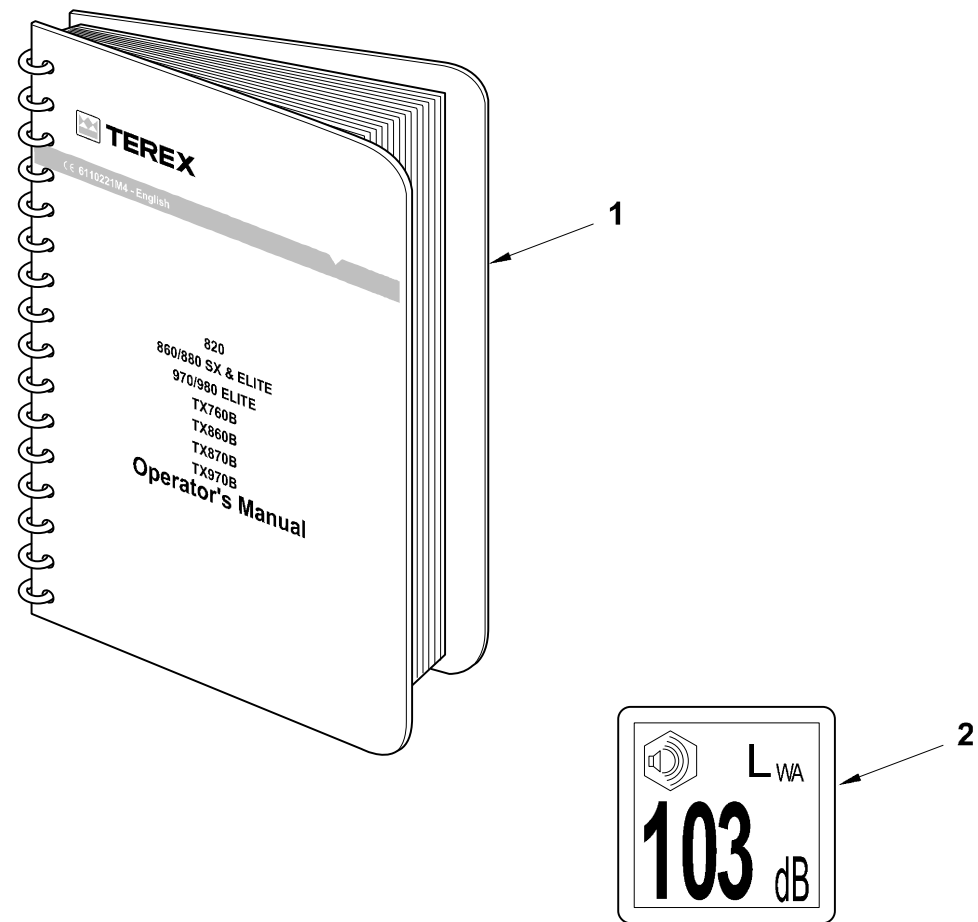
C-96043-01.1-C



<b>Item</b>	<b>Part No.</b>	<b>Qty.</b>	<b>English</b>	<b>French</b>	<b>German</b>	<b>Spanish</b>	<b>Remarks</b>
1	6110223M6	1	Oib - (German)	Guide Utilisat.	Betriebsanleitung	Libro De Instruccion Del Operador	
1	6110221M6	1	Oib - General Markets (English)	Guide Utilisat.	Betriebsanleitung	Libro De Instruccion Del Operador	
2	8002-2340	1	Noise Decal Lwa 103	Decalcolmanie	Abziehbild	Placa	



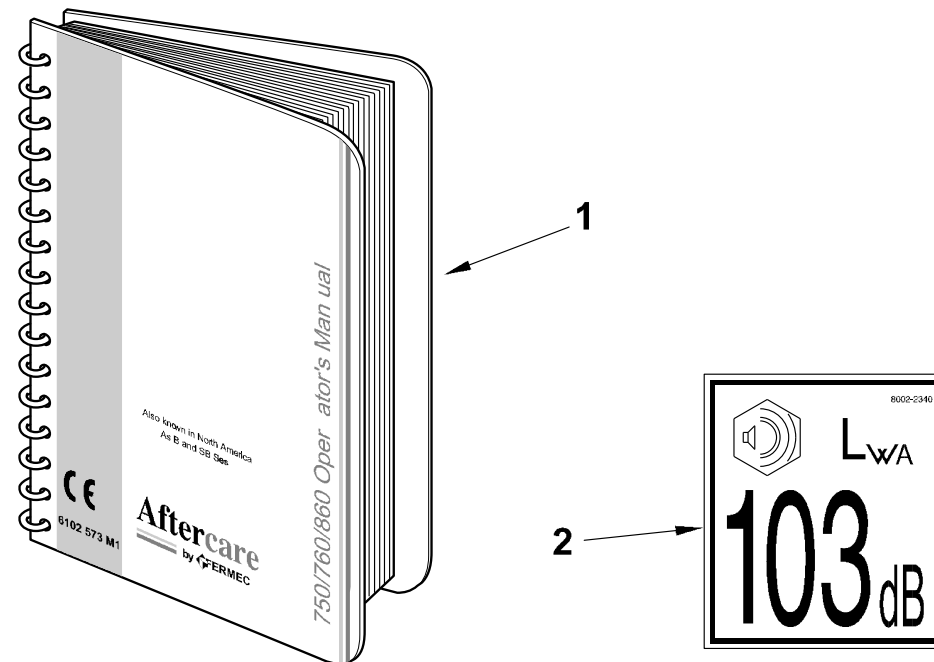
C-96044-01.1-C



<b>Item</b>	<b>Part No.</b>	<b>Qty.</b>	<b>English</b>	<b>French</b>	<b>German</b>	<b>Spanish</b>	<b>Remarks</b>
1	6110224M6	1	Oib - (Italian)	Guide Utilisat.	Betriebsanleitung	Libro De Instruccion Del Operador	
1	6110221M6	1	Oib - General Markets (English)	Guide Utilisat.	Betriebsanleitung	Libro De Instruccion Del Operador	
2	8002-2340	1	Noise Decal Lwa 103	Decalcolmanie	Abziehbild	Placa	



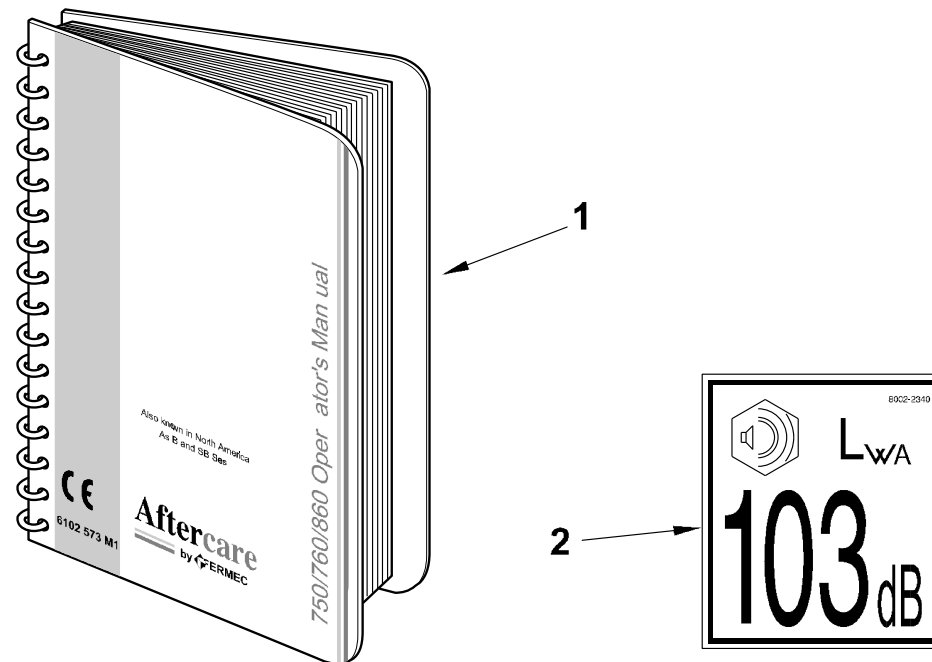
C-96045-01.1-B



<b>Item</b>	<b>Part No.</b>	<b>Qty.</b>	<b>English</b>	<b>French</b>	<b>German</b>	<b>Spanish</b>	<b>Remarks</b>
1	6110226M6	1	Oib - (Portuguese)	Guide Utilisat.	Betriebsanleitung	Libro De Instruccion Del Operador	
1	6110221M6	1	Oib - General Markets (English)	Guide Utilisat.	Betriebsanleitung	Libro De Instruccion Del Operador	
2	8002-2340	1	Noise Decal Lwa 103	Decalcolmanie	Abziehbild	Placa	



C-96046-01.1-B

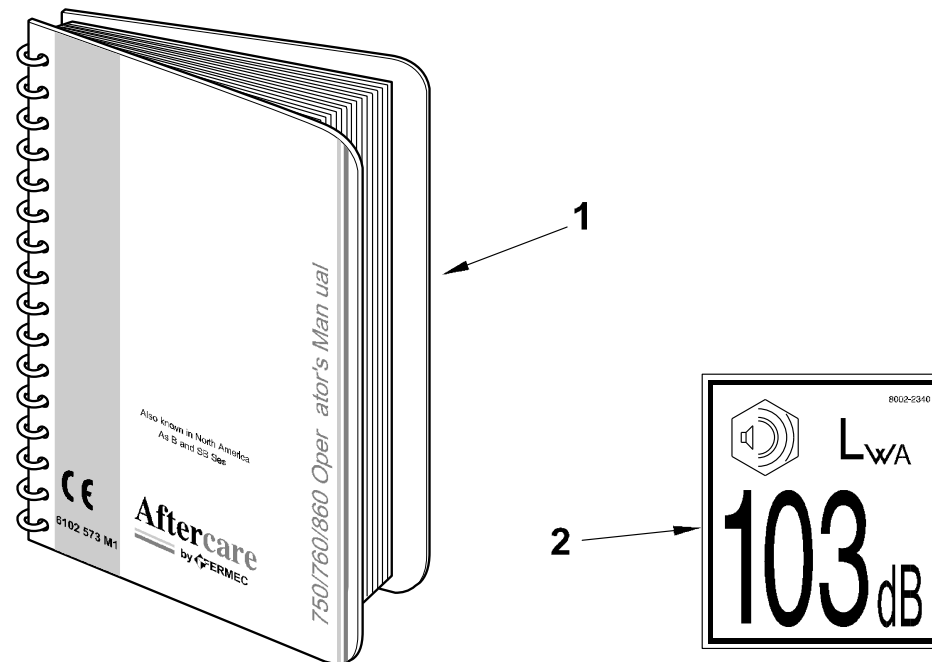




<b>Item</b>	<b>Part No.</b>	<b>Qty.</b>	<b>English</b>	<b>French</b>	<b>German</b>	<b>Spanish</b>	<b>Remarks</b>
1	6110227M6	1	Operator Instruction Book (Danish)	Guide Utilisat.	Betriebsanleitung	Libro De Instruccion Del Operador	
1	6110221M6	1	Oib - General Markets (English)	Guide Utilisat.	Betriebsanleitung	Libro De Instruccion Del Operador	
2	8002-2340	1	Noise Decal Lwa 103	Decalcolmanie	Abziehbild	Placa	



C-96047-01.1-B



<b>Item</b>	<b>Part No.</b>	<b>Qty.</b>	<b>English</b>	<b>French</b>	<b>German</b>	<b>Spanish</b>	<b>Remarks</b>
1	6110228M6	1	Oib - (Flemish/Dutch)	Guide Utilisat.	Betriebsanleitung	Libro De Instruccion Del Operador	
1	6110221M6	1	Oib - General Markets (English)	Guide Utilisat.	Betriebsanleitung	Libro De Instruccion Del Operador	
2	8002-2340	1	Noise Decal Lwa 103	Decalcolmanie	Abziehbild	Placa	



**Not Serviced**

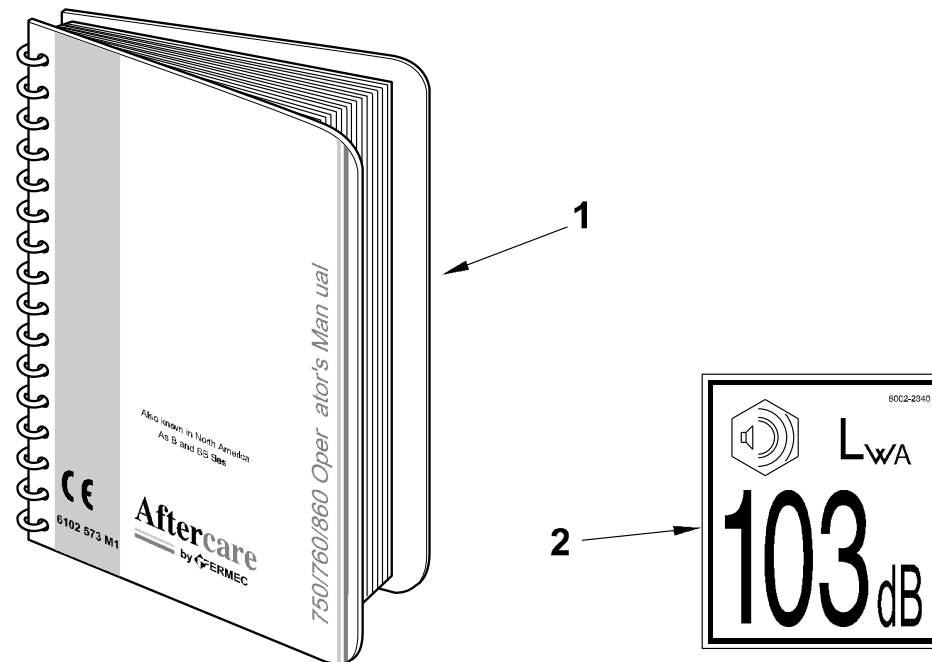
THIS PAGE INTENTIONALLY LEFT BLANK



**Not Serviced**

THIS PAGE INTENTIONALLY LEFT BLANK

C-96059-01.1-A

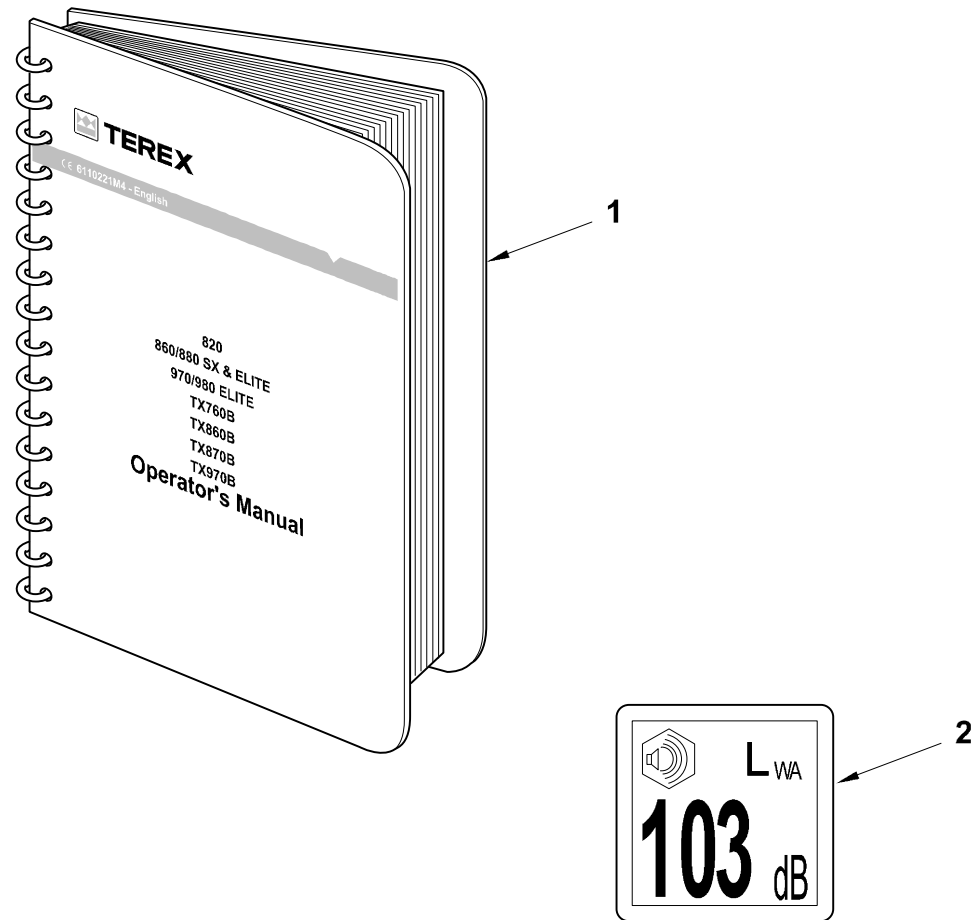




<b>Item</b>	<b>Part No.</b>	<b>Qty.</b>	<b>English</b>	<b>French</b>	<b>German</b>	<b>Spanish</b>	<b>Remarks</b>
1	6110221M6	1	Oib - General Markets (English)	Guide Utilisat.	Betriebsanleitung	Libro De Instruccion Del Operador	
2	8002-2340	1	Noise Decal Lwa 103	Decalcolmanie	Abziehbild	Placa	



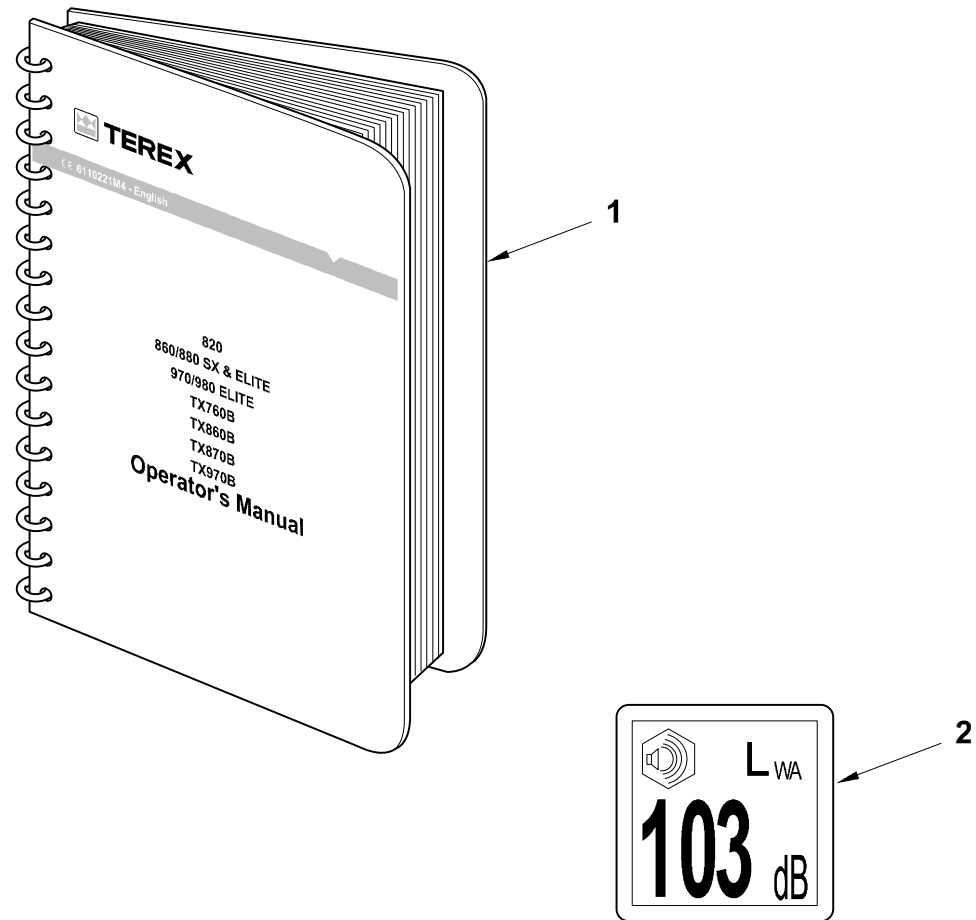
C-96072-01.1-A



<b>Item</b>	<b>Part No.</b>	<b>Qty.</b>	<b>English</b>	<b>French</b>	<b>German</b>	<b>Spanish</b>	<b>Remarks</b>
1	6111062M6	1	Oib - (Greek)	Guide Utilisat.	Betriebsanleitung	Libro De Instruccion Del Operador	
1	6110221M6	1	Oib - General Markets (English)	Guide Utilisat.	Betriebsanleitung	Libro De Instruccion Del Operador	
2	8002-2340	1	Noise Decal Lwa 103	Decalcolmanie	Abziehbild	Placa	



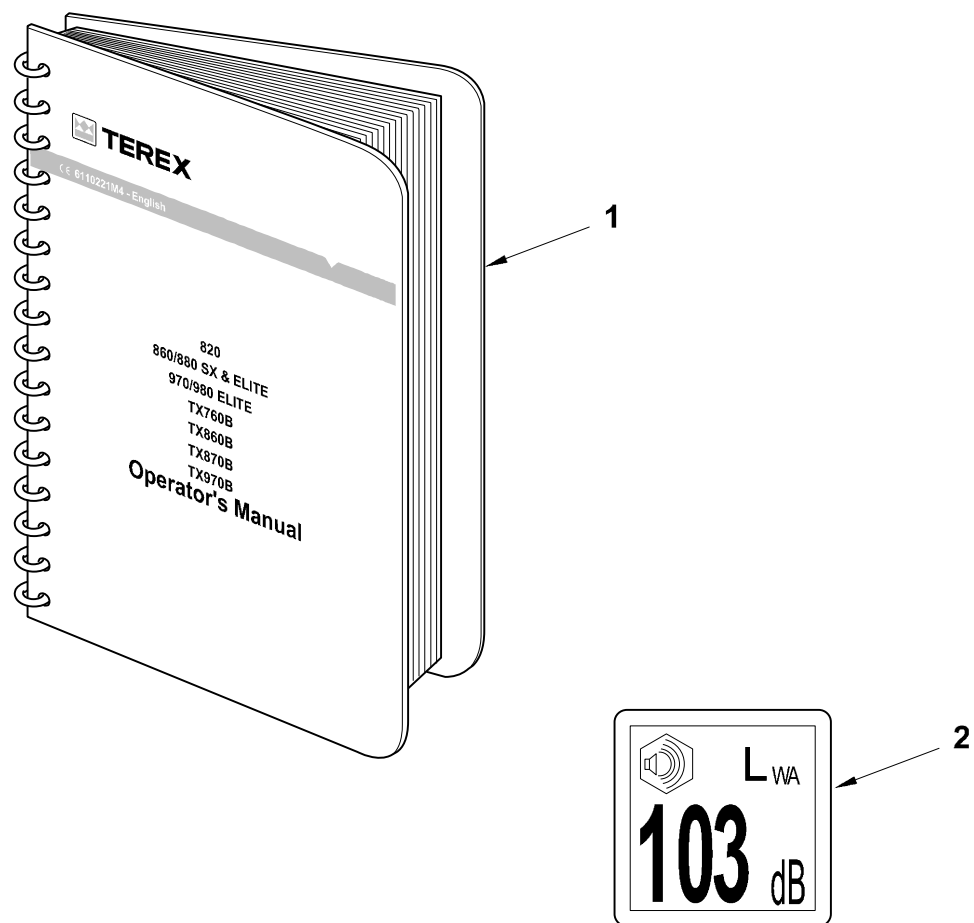
C-96074-01.1-A



<b>Item</b>	<b>Part No.</b>	<b>Qty.</b>	<b>English</b>	<b>French</b>	<b>German</b>	<b>Spanish</b>	<b>Remarks</b>
1	6112256M6	1	Oib - (Bulgarian)	Guide Utilisat.	Betriebsanleitung	Libro De Instruccion Del Operador	
1	6110221M6	1	Oib - General Markets (English)	Guide Utilisat.	Betriebsanleitung	Libro De Instruccion Del Operador	
2	8002-2340	1	Noise Decal Lwa 103	Decalcolmanie	Abziehbild	Placa	



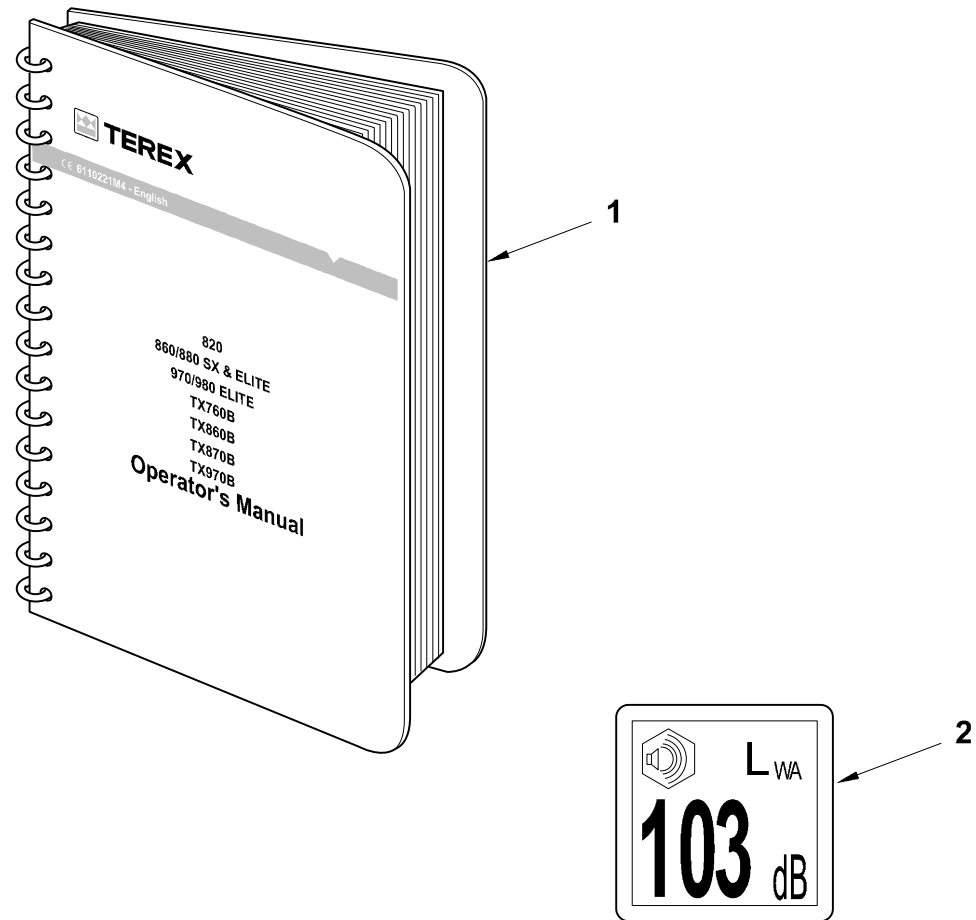
C-96076-01.1-A



<b>Item</b>	<b>Part No.</b>	<b>Qty.</b>	<b>English</b>	<b>French</b>	<b>German</b>	<b>Spanish</b>	<b>Remarks</b>
1	6112257M6	1	Oib - (Romanian)	Guide Utilisat.	Betriebsanleitung	Libro De Instruccion Del Operador	
1	6110221M6	1	Oib - General Markets (English)	Guide Utilisat.	Betriebsanleitung	Libro De Instruccion Del Operador	
2	8002-2340	1	Noise Decal Lwa 103	Decalcolmanie	Abziehbild	Placa	



C-96062-01.1-A

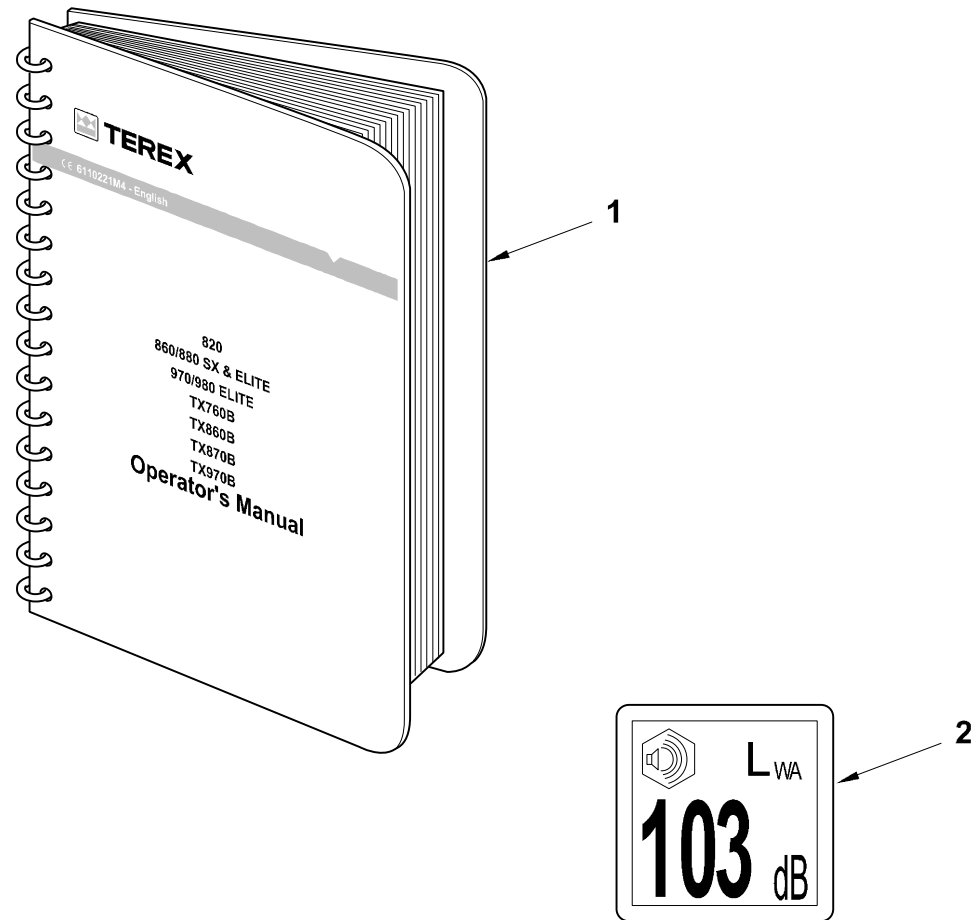




<b>Item</b>	<b>Part No.</b>	<b>Qty.</b>	<b>English</b>	<b>French</b>	<b>German</b>	<b>Spanish</b>	<b>Remarks</b>
1	6110614M6	1	Oib - (Croatian)	Guide Utilisat.	Betriebsanleitung	Libro De Instruccion Del Operador	
1	6110221M6	1	Oib - General Markets (English)	Guide Utilisat.	Betriebsanleitung	Libro De Instruccion Del Operador	
2	8002-2340	1	Noise Decal Lwa 103	Decalcolmanie	Abziehbild	Placa	



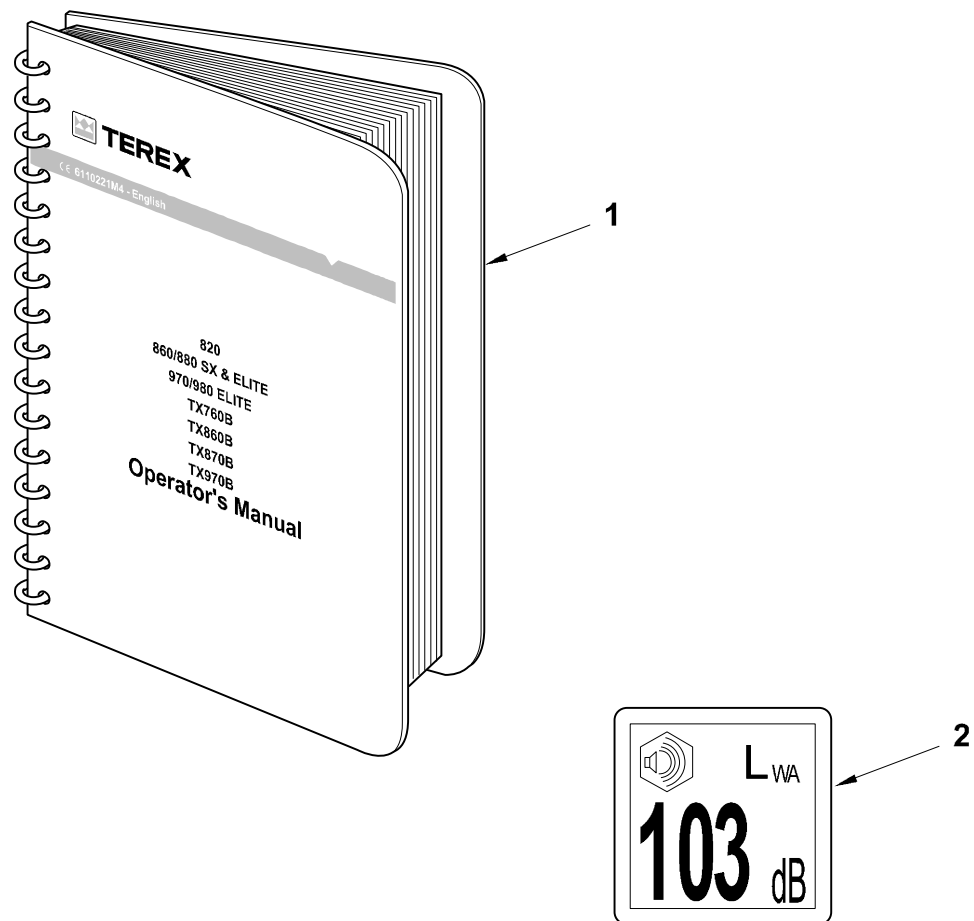
C-96063-01.1-A



<b>Item</b>	<b>Part No.</b>	<b>Qty.</b>	<b>English</b>	<b>French</b>	<b>German</b>	<b>Spanish</b>	<b>Remarks</b>
1	6110615M6	1	Oib - (Czech)	Guide Utilisat.	Betriebsanleitung	Libro De Instruccion Del Operador	
1	6110221M6	1	Oib - General Markets (English)	Guide Utilisat.	Betriebsanleitung	Libro De Instruccion Del Operador	
2	8002-2340	1	Noise Decal Lwa 103	Decalcolmanie	Abziehbild	Placa	



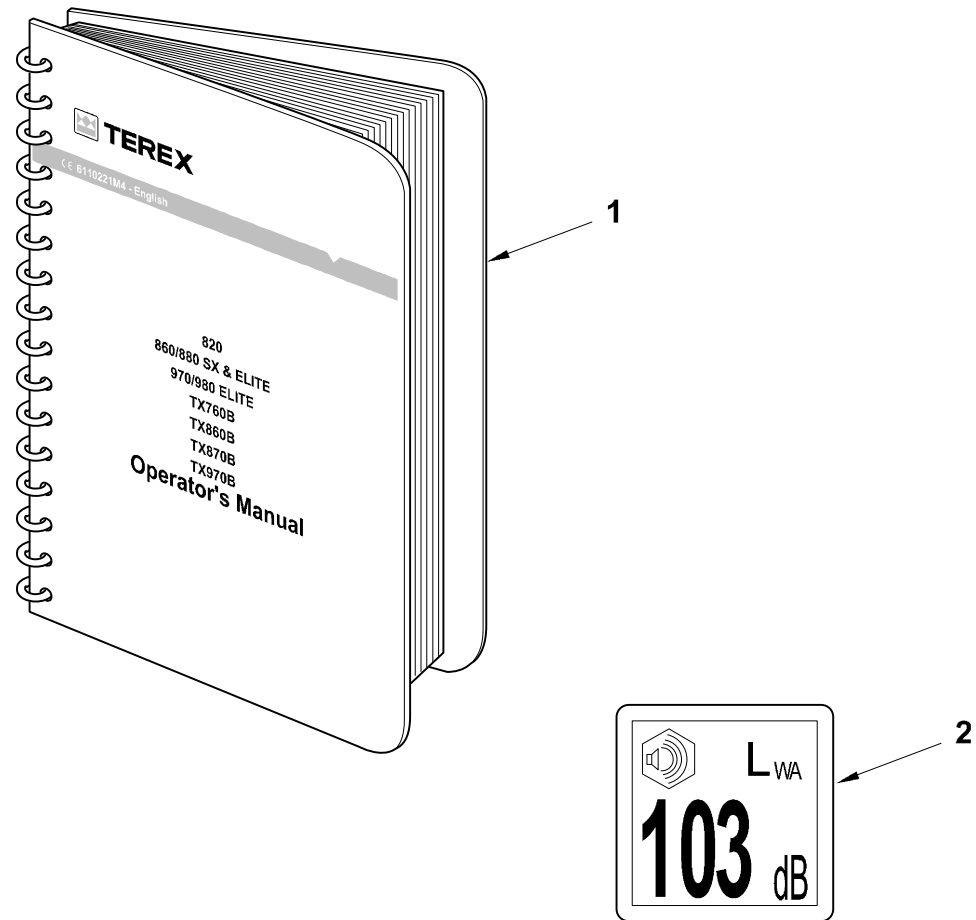
C-96064-01.1-A



<b>Item</b>	<b>Part No.</b>	<b>Qty.</b>	<b>English</b>	<b>French</b>	<b>German</b>	<b>Spanish</b>	<b>Remarks</b>
1	6110616M6	1	Oib - (Estonian)	Guide Utilisat.	Betriebsanleitung	Libro De Instruccion Del Operador	
1	6110221M6	1	Oib - General Markets (English)	Guide Utilisat.	Betriebsanleitung	Libro De Instruccion Del Operador	
2	8002-2340	1	Noise Decal Lwa 103	Decalcolmanie	Abziehbild	Placa	



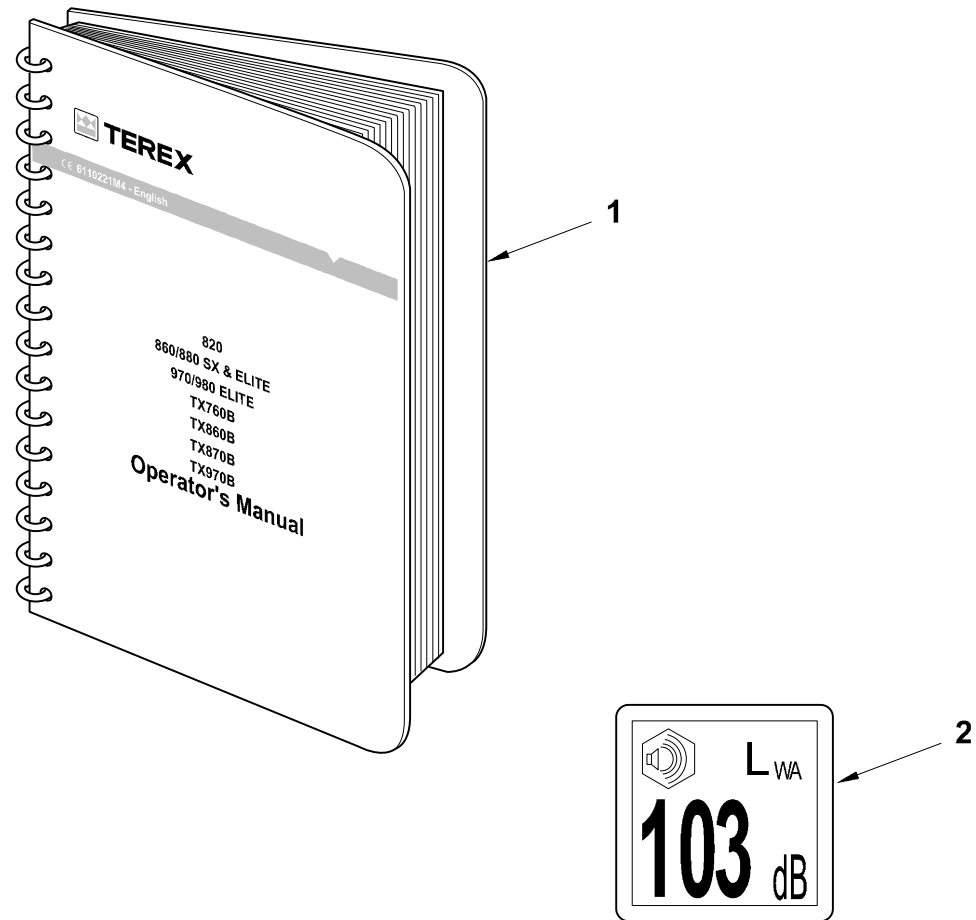
C-96065-01.1-A



<b>Item</b>	<b>Part No.</b>	<b>Qty.</b>	<b>English</b>	<b>French</b>	<b>German</b>	<b>Spanish</b>	<b>Remarks</b>
1	6110617M6	1	Oib - (Hungarian)	Guide Utilisat.	Betriebsanleitung	Libro De Instruccion Del Operador	
1	6110221M6	1	Oib - General Markets (English)	Guide Utilisat.	Betriebsanleitung	Libro De Instruccion Del Operador	
2	8002-2340	1	Noise Decal Lwa 103	Decalcolmanie	Abziehbild	Placa	



C-96066-01.1-A

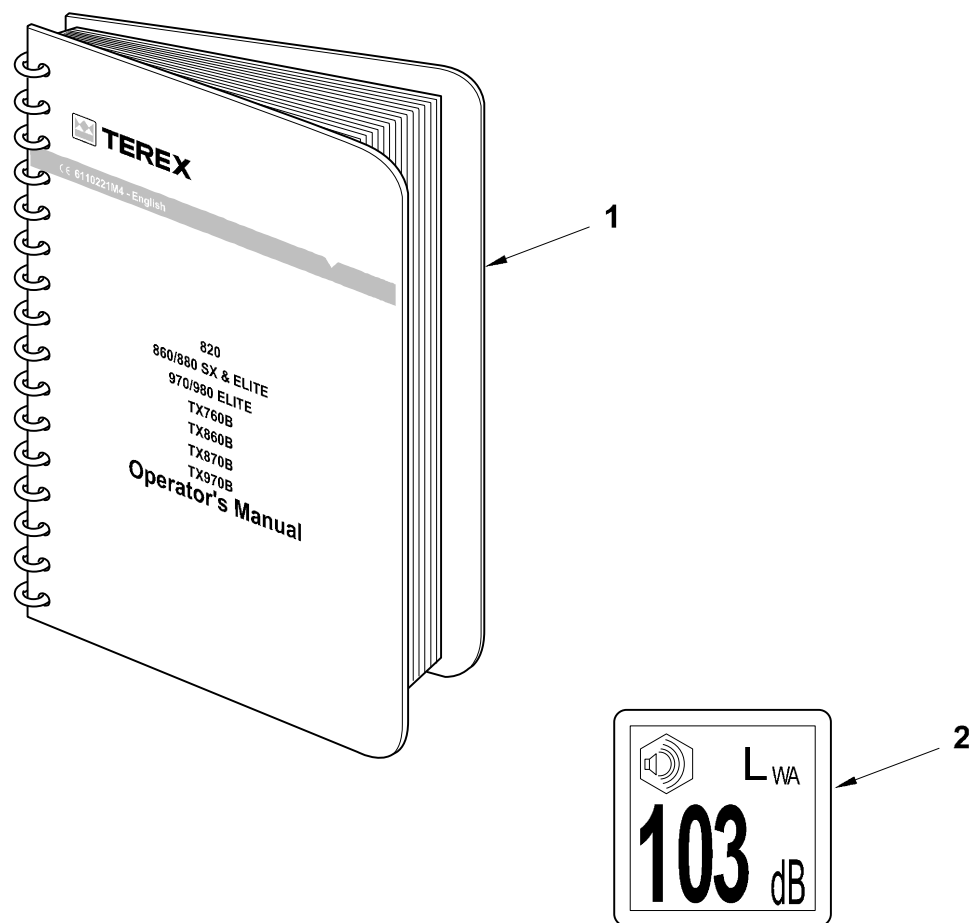




<b>Item</b>	<b>Part No.</b>	<b>Qty.</b>	<b>English</b>	<b>French</b>	<b>German</b>	<b>Spanish</b>	<b>Remarks</b>
1	6110618M6	1	Oib - (Latvian)	Guide Utilisat.	Betriebsanleitung	Libro De Instruccion Del Operador	
1	6110221M6	1	Oib - General Markets (English)	Guide Utilisat.	Betriebsanleitung	Libro De Instruccion Del Operador	
2	8002-2340	1	Noise Decal Lwa 103	Decalcolmanie	Abziehbild	Placa	



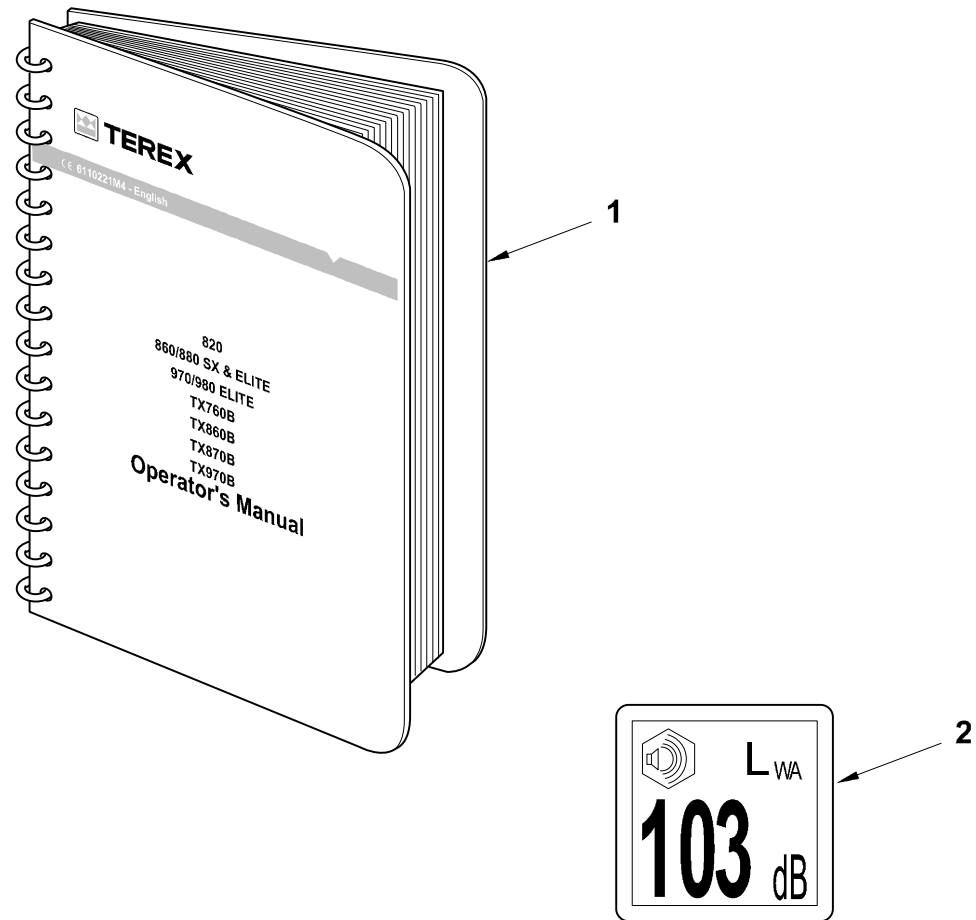
C-96067-01.1-A



<b>Item</b>	<b>Part No.</b>	<b>Qty.</b>	<b>English</b>	<b>French</b>	<b>German</b>	<b>Spanish</b>	<b>Remarks</b>
1	6110619M6	1	Oib - (Lithuanian)	Guide Utilisat.	Betriebsanleitung	Libro De Instruccion Del Operador	
1	6110221M6	1	Oib - General Markets (English)	Guide Utilisat.	Betriebsanleitung	Libro De Instruccion Del Operador	
2	8002-2340	1	Noise Decal Lwa 103	Decalcolmanie	Abziehbild	Placa	



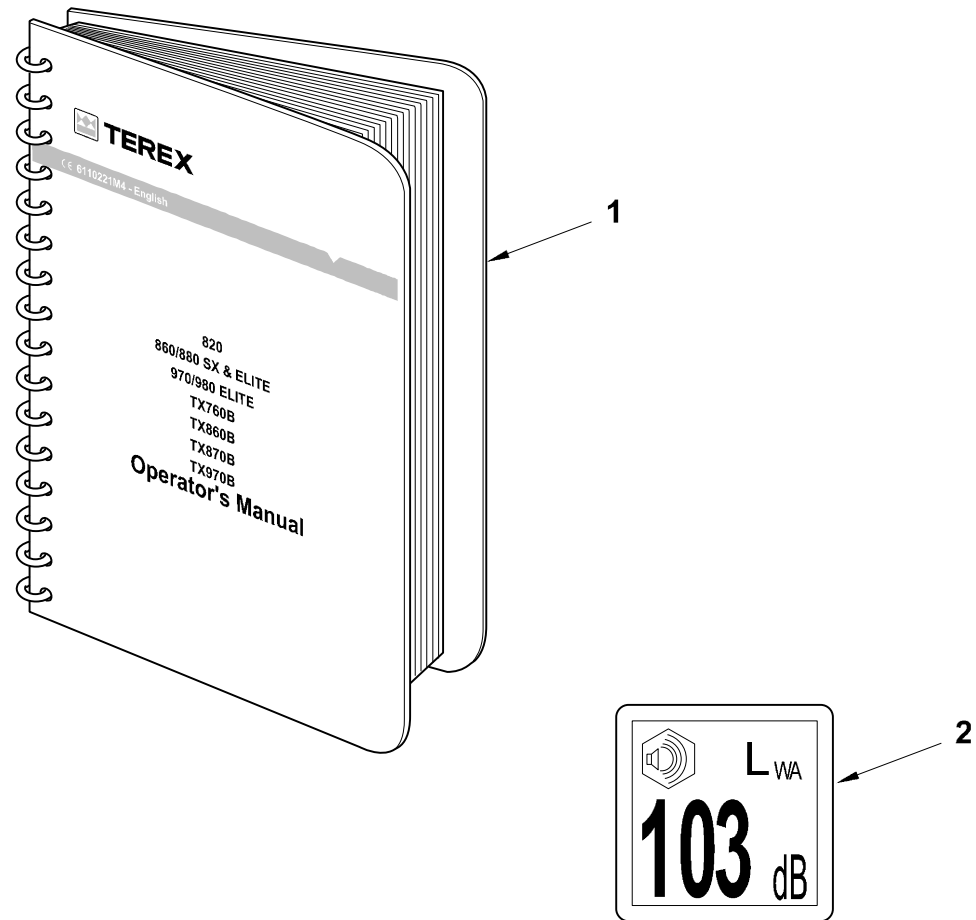
C-96068-01.1-A



<b>Item</b>	<b>Part No.</b>	<b>Qty.</b>	<b>English</b>	<b>French</b>	<b>German</b>	<b>Spanish</b>	<b>Remarks</b>
1	6110620M6	1	Oib - (Polish)	Guide Utilisat.	Betriebsanleitung	Libro De Instruccion Del Operador	
1	6110221M6	1	Oib - General Markets (English)	Guide Utilisat.	Betriebsanleitung	Libro De Instruccion Del Operador	
2	8002-2340	1	Noise Decal Lwa 103	Decalcolmanie	Abziehbild	Placa	



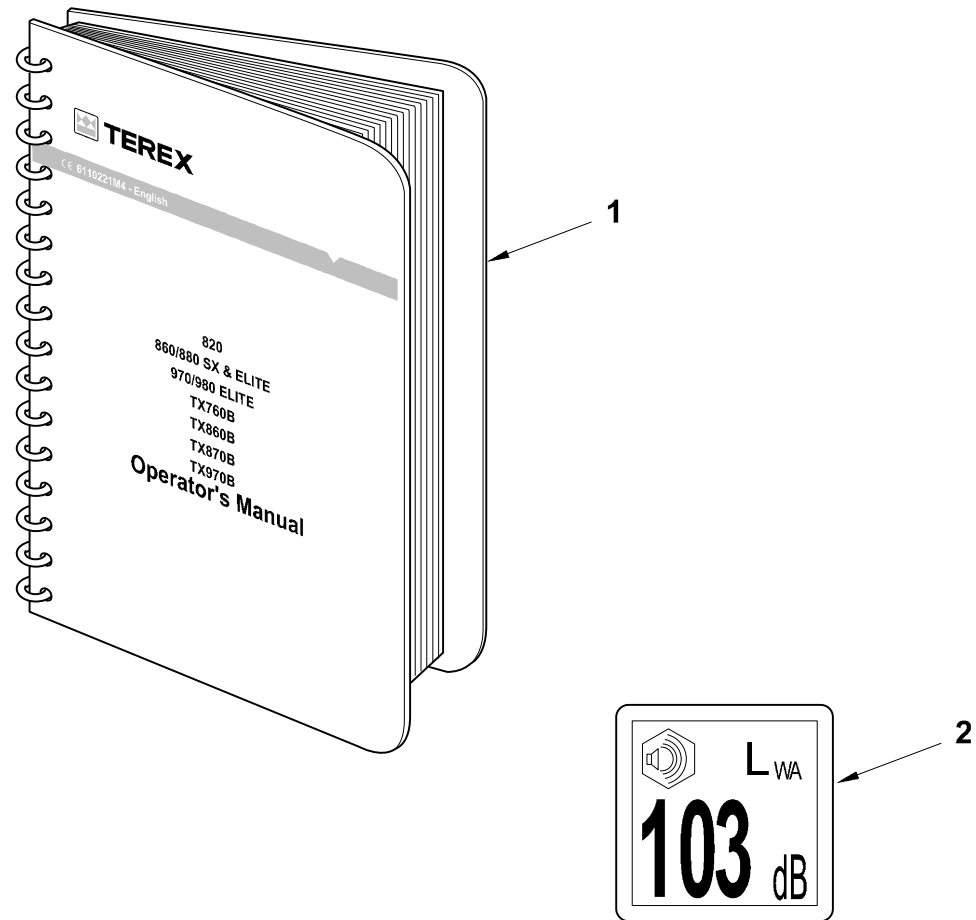
C-96069-01.1-A



<b>Item</b>	<b>Part No.</b>	<b>Qty.</b>	<b>English</b>	<b>French</b>	<b>German</b>	<b>Spanish</b>	<b>Remarks</b>
1	6110621M6	1	Oib - (Slovakian)	Guide Utilisat.	Betriebsanteitung	Libro De Instruccion Del Operador	
1	6110221M6	1	Oib - General Markets (English)	Guide Utilisat.	Betriebsanleitung	Libro De Instruccion Del Operador	
2	8002-2340	1	Noise Decal Lwa 103	Decalcolmanie	Abziehbild	Placa	



C-96070-01.1-A

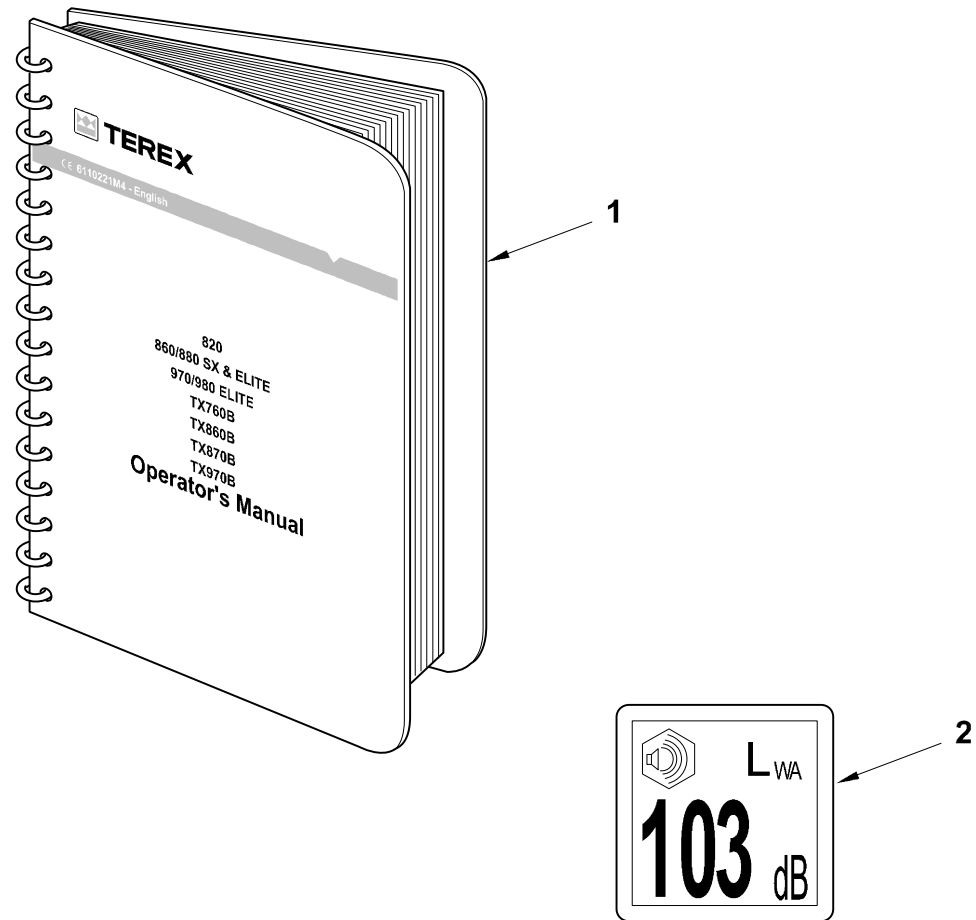




<b>Item</b>	<b>Part No.</b>	<b>Qty.</b>	<b>English</b>	<b>French</b>	<b>German</b>	<b>Spanish</b>	<b>Remarks</b>
1	6110622M6	1	Oib - (Slovenian)	Guide Utilisat.	Betriebsanleitung	Libro De Instruccion Del Operador	
1	6110221M6	1	Oib - General Markets (English)	Guide Utilisat.	Betriebsanleitung	Libro De Instruccion Del Operador	
2	8002-2340	1	Noise Decal Lwa 103	Decalcolmanie	Abziehbild	Placa	



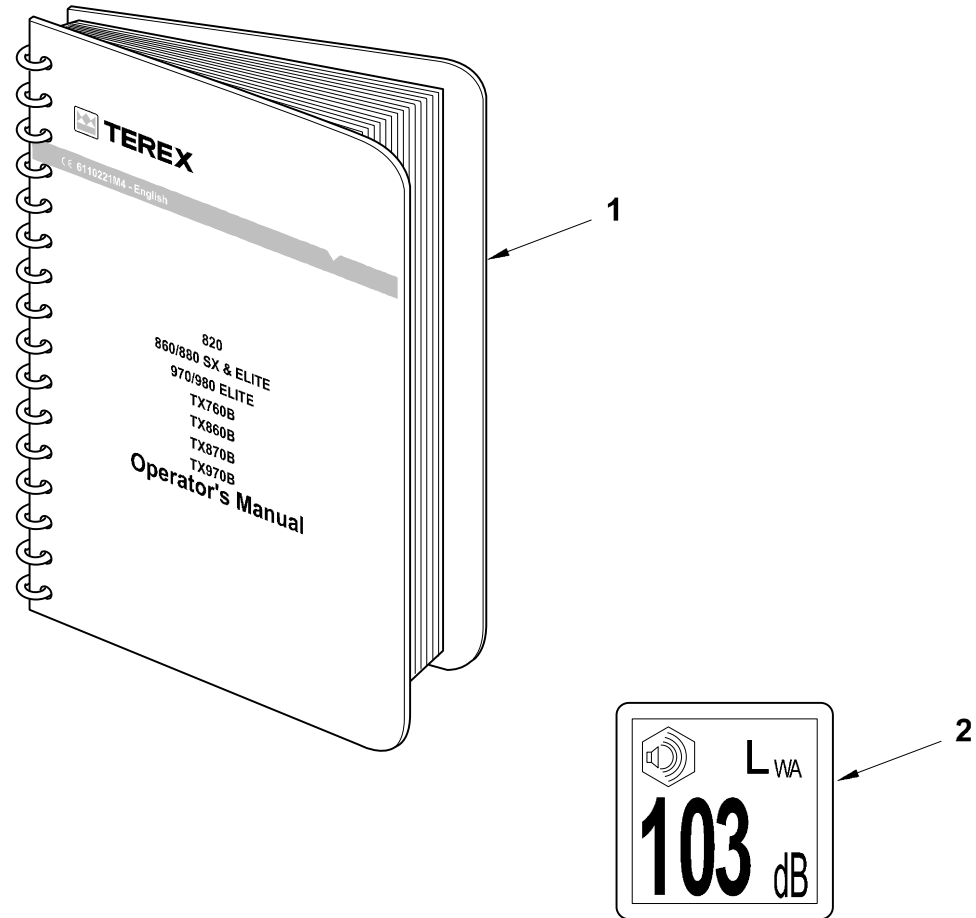
C-96078-01.1-A



<b>Item</b>	<b>Part No.</b>	<b>Qty.</b>	<b>English</b>	<b>French</b>	<b>German</b>	<b>Spanish</b>	<b>Remarks</b>
1	6112087M6	1	Oib - (Russian)	Guide Utilisat.	Betriebsanleitung	Libro De Instruccion Del Operador	
1	6110221M6	1	Oib - General Markets (English)	Guide Utilisat.	Betriebsanleitung	Libro De Instruccion Del Operador	
2	8002-2340	1	Noise Decal Lwa 103	Decalcolmanie	Abziehbild	Placa	



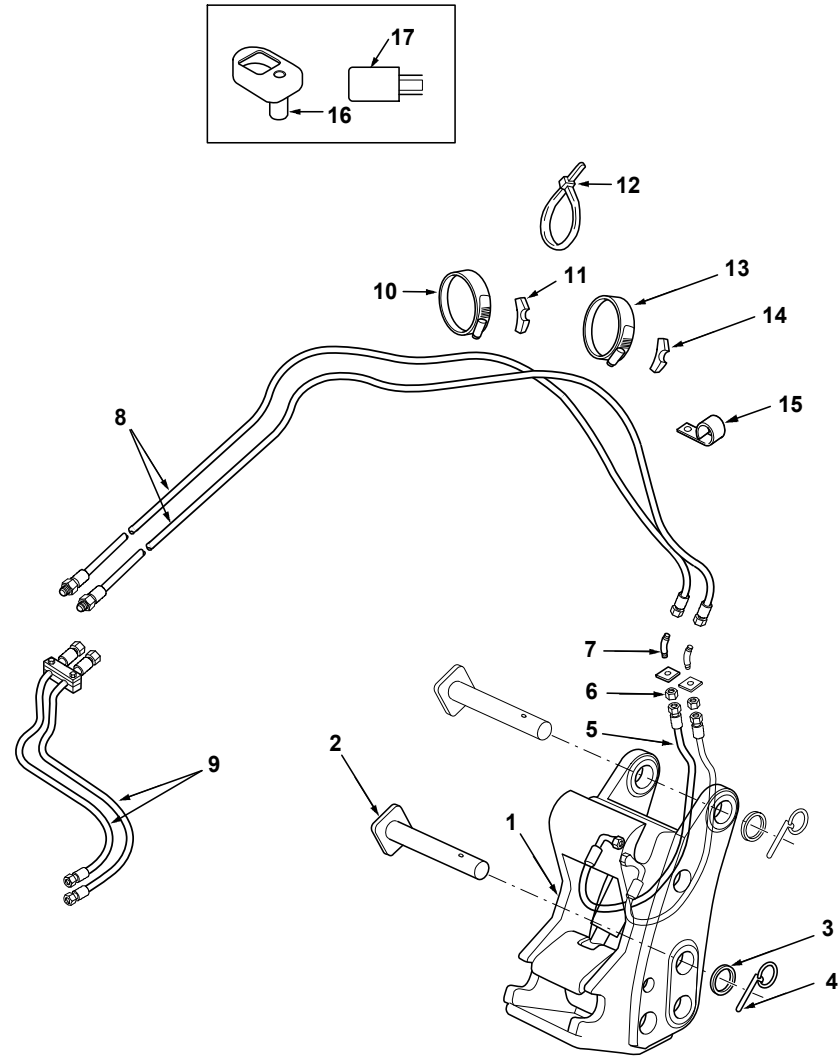
C-96081-01.1-A



<b>Item</b>	<b>Part No.</b>	<b>Qty.</b>	<b>English</b>	<b>French</b>	<b>German</b>	<b>Spanish</b>	<b>Remarks</b>
1	6115108M6	1	Oib - Turkish	Guide Utilisat.	Betriebsanleitg	Manual Servicio	
1	6110221M6	1	Oib - General Markets (English)	Guide Utilisat.	Betriebsanleitung	Libro De Instruccion Del Operador	
2	8002-2340	1	Noise Decal Lwa 103	Decalcolmanie	Abziehbild	Placa	



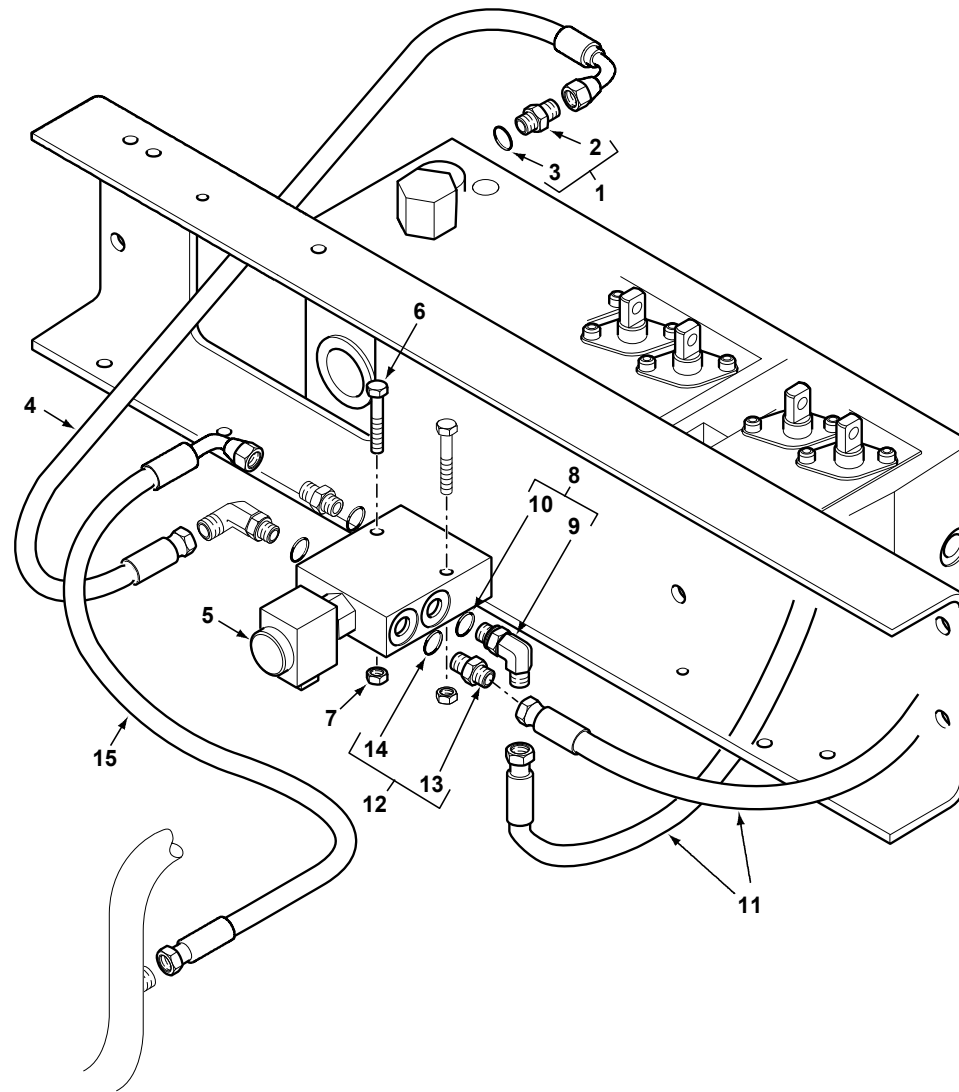
C-90001-01.1-A



Item	Part No.	Qty.	English	French	German	Spanish	Remarks
1	6108811M92	1	Miller Quick Attach Assy. ( Digger ) [Not For Sale In Uk]	Ensem. D&Attel. Rapi	Schnellkupplung Kpl	Engan. Rápido, Conj.	90001c04.1 1
2	3516519M94	2	Pin & Plate 45-322,5	Axe	Bolzen	Pasador	
3	3501790M1	2	Washer M46-65-5 Z	Rondelle	Scheibe	Arandela	
4	3516522M91	2	Pin Safety Linch	Goupille D´Arrêt	Klappstecker	Pasador De Parada	
5	6102923M91	2	Hose - Digger Q/Attach., Miller	Flexible	Schlauch Kpl	Flexible, Conj.	
6	356612X1	2	Nut 7/16" Unf	Ecrou Unf	Mutter 7/16" Unf	Tuerca	
7	371089X1	2	Elbow 45 Deg	Coude, 45	Kniestück, 45°	Codo, 45°	
8	6106086M91	2	Hose-Miller Q/Attach Hyd.	Flexible Ass.	Schlauch Kpl	Flexible, Conj.	
9	#HOSE ASSY	2	Hose Assy	Hose Assy	Hose Assy	Hose Assy	90001c02.1 11
10	3517732M1	1	Clip, Hose	Collier Durit	Schlauchschelle	Argolla De Fijación	
11	D142787	1	Saddle (See 142787d)	Selle	Sattel	Bloque De Caucho	
12	1664405M1	6	Tie Mm T50s	Attache Cable	Kabelbinder	Enlace De Cable	
13	3517731M1	1	Clamp-Hose	Bride Pour Tutaux	Schlauchschelle	Argolla De Fijación	
14	D142787	1	Saddle (See 142787d)	Selle	Sattel	Bloque De Caucho	
15	515-22127	4	Clip-Coated P	Collier De Fixation	Befestigungsschelle	Argolla De Fijación	
16	6101777M91	1	Cover Assy. - Switch Operating	Cache	Abdeckung	Tapa	
17	6102490M1	1	Relay-Micro	Relais	Relais	Relé	



C-90001-02.1-A

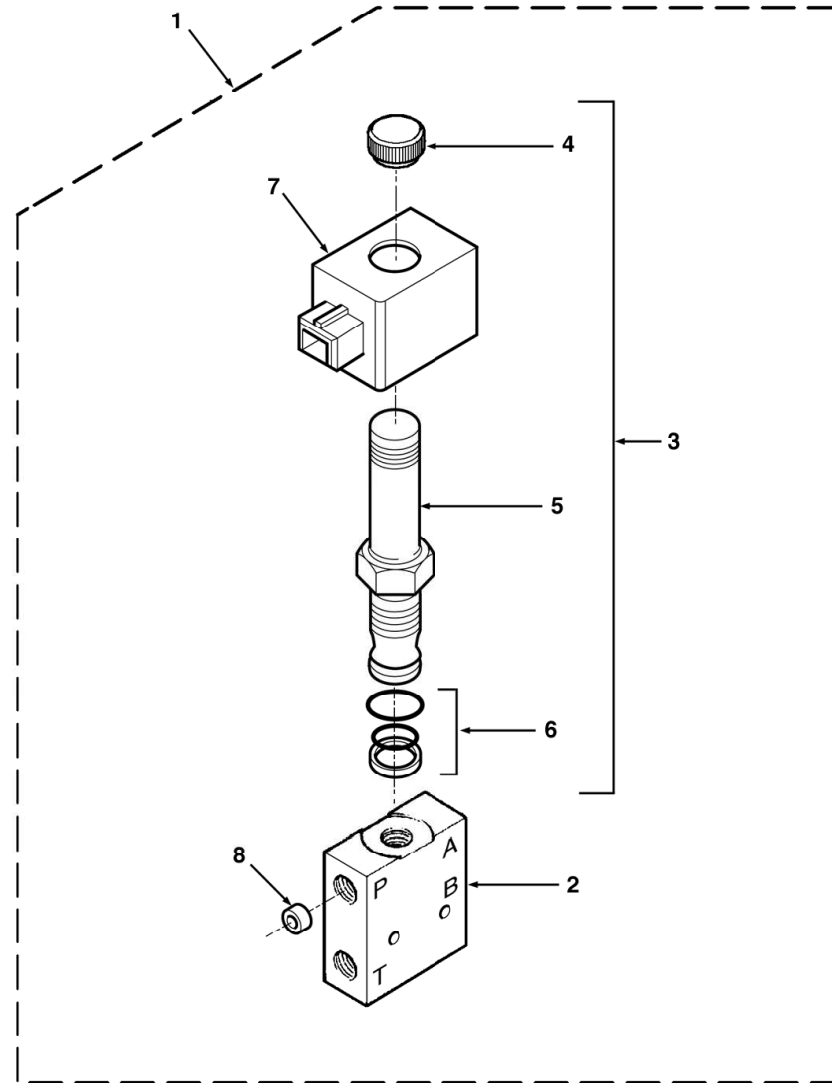




Item	Part No.	Qty.	English	French	German	Spanish	Remarks
1	365830X91	1	Connector	Adaptateur	Reduziernippel	Unión	
2	#UNION	1	Union	Union	Union	Union	Ref. 1
3	#O-RING	1	O-Ring	Joint Torique	O-Ring	Junta Tórica	
4	6109910M91	1	Hose Assy - Q/A Feed	Flexible Ass.	Schlauch Kpl	Flexible, Conj.	
5	6106011M91	1	Valve-Digger Quick Attach.	Électrovalve	Magnetventil	Electroválvula	98001c03.1
6	391244X1	2	Bolt M6-45 Z5s	Goupille	Bolzen - M6 X 45	Perno	
7	1441500X1	2	Nut M6 Z5 Nyloc	Ecrou	Flachmutter M6	Tuerca De Retención	
8	370807X91	2	Elbow 90 7/16jic9/16or	Coude, 90	Kniestück, 90°	Codo, 90°	
9	#ELBOW	1	Elbow	Elbow	Elbow	Elbow	Ref. 8
10	831452M1	1	O Ring (Pack Of 10)	Joint Torique	O Ring	Junta De Tipo O	
11	6102806M91	1	Hose-Quick Attach	Flexible Ass.	Schlauch Kpl	Flexible, Conj.	Yellow
11	6111273M91	1	Hose Assembly - Q/Attach	Ensemble Durit	Schlauch Kpl	Flexible, Conj.	
12	365065X91	2	Connector 7/16x9/16	Borne	Doppelnippel	Unión	
13	#UNION	1	Union	Union	Union	Union	Ref. 12
14	831452M1	1	O Ring (Pack Of 10)	Joint Torique	O Ring	Junta De Tipo O	
15	3519226M91	1	Hose Assy	Flexible Ass.	Schlauch Kpl	Flexible, Conj.	



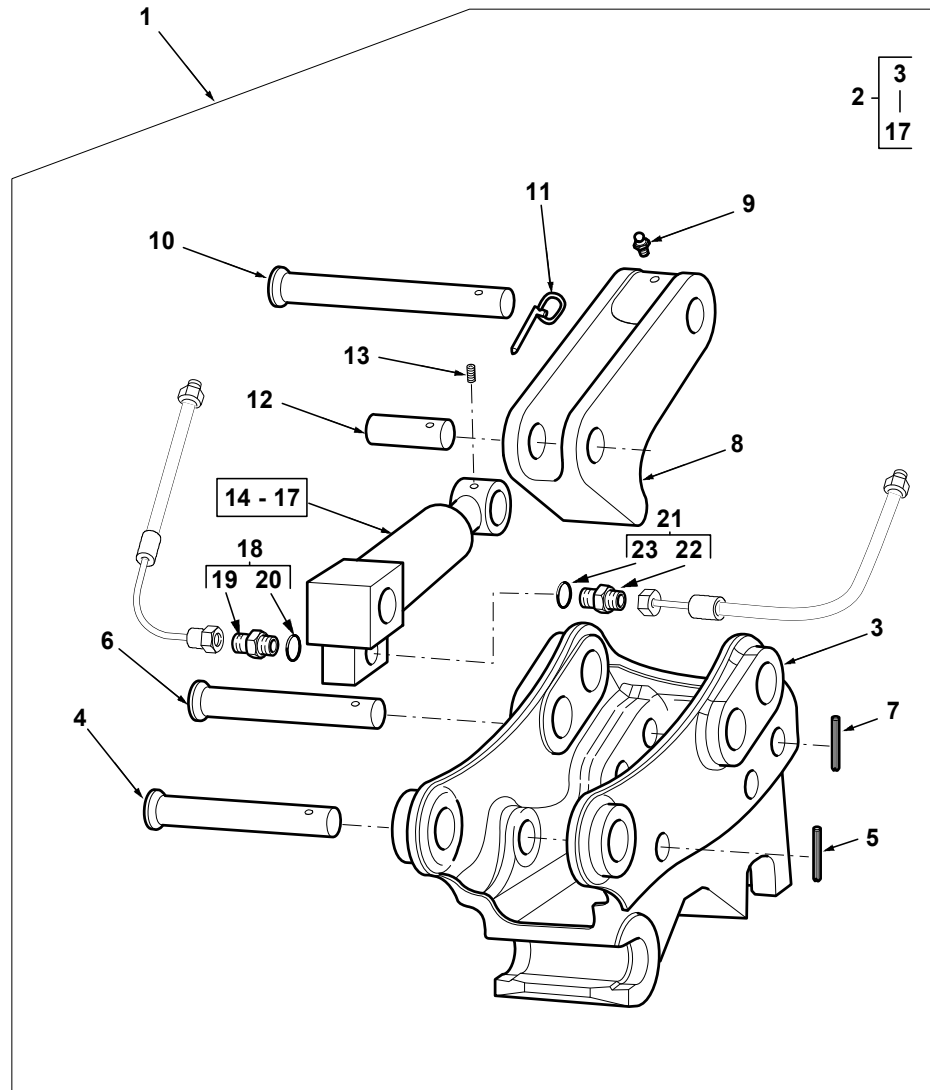
C-90001-03.1-A



Item	Part No.	Qty.	English	French	German	Spanish	Remarks
1	6106011M91	1	Valve-Digger Quick Attach.	Électrovalve	Magnetventil	Electroválvula	90001c02.1 5
2	#BODY	1	Body	Body	Body	Body	Ref. 1
3	6193020M91	1	Cartridge Assy	Cartouche Ass.	Einsatz Kplt	Solenoido, Conj.	
4	#NUT	1	Nut	Ecrou	Mutter	Tuerca	Ref. 3
5	#CARTRIDGE	1	Cartridge	Cartridge	Cartridge	Cartridge	Ref. 3
6	6193022M91	1	Kit Seal	Jeu Étanchéité	Dichtringsatz	Juego De Juntas	
7	6191096M91	1	Coil Assy.	Bobine	Wicklung, Spule	Bobina	
8	6193021M1	1	Restrictor	Réduction	Reduzierstück	Reducción	



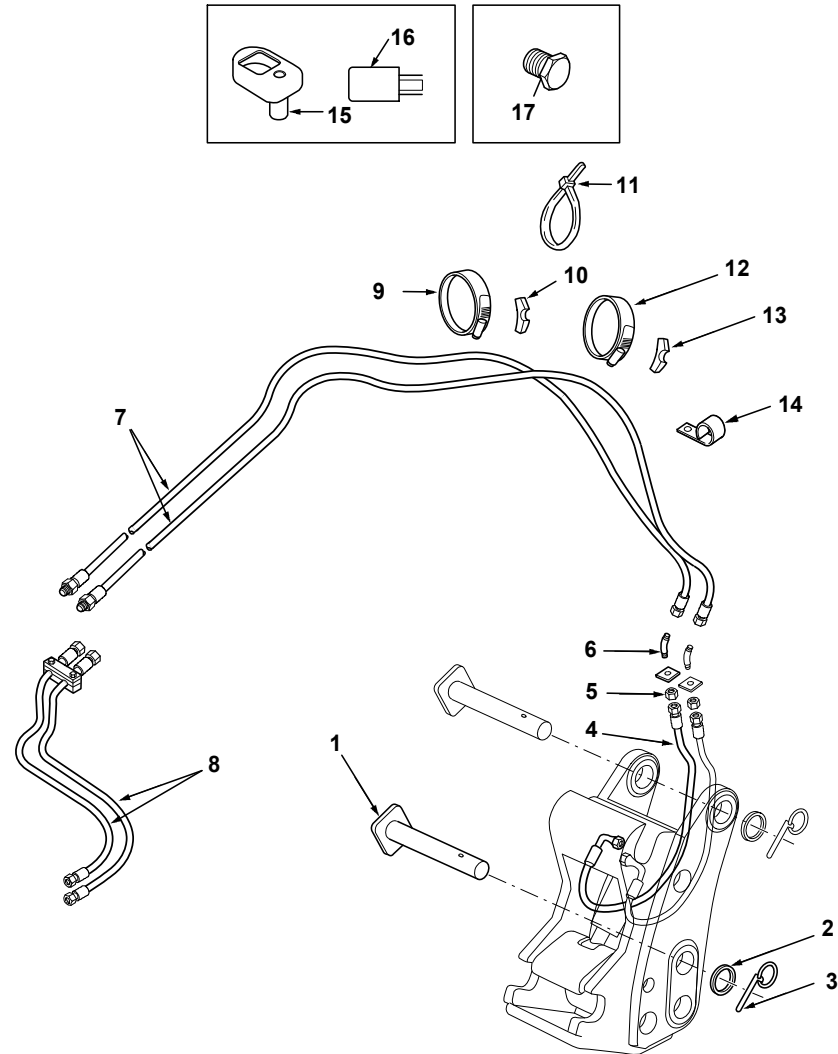
C-90001-04.1-A



Item	Part No.	Qty.	English	French	German	Spanish	Remarks
1	6108811M92	1	Miller Quick Attach Assy. ( Digger ) [Not For Sale In Uk]	Ensem. D¿Attel. Rapi	Schnellkupplung Kpl	Egan. Rápido, Conj.	
2	6102976M91	1	Quick Attach Assy. - Dig. Bucket, Miller	Ensem. D¿Attel. Rapi	Schnellkupplung Kpl	Egan. Rápido, Conj.	
3	6193009M1	1	Cast Body	Corps	Körper	Cuerpo	
4	6193013M1	1	Pin Cylinder	Axe	Bolzen	Pasador	
5	6193016M1	1	Pin Large	Axe	Bolzen	Pasador Elástico	
6	6193012M1	1	Pin Hook	Axe	Bolzen	Pasador	
7	6193016M1	1	Pin Large	Axe	Bolzen	Pasador Elástico	
8	6193010M1	1	Cast Hook	Crochet	Haken	Gancho	
9	6193018M1	1	Grease Nipple	Nipple De Graissage	Schmiernippel	Engrasador	
10	6193015M1	1	Pin Safety	Axe	Bolzen	Pasador	
11	6193017M1	1	Pin Lynch	Goupille D´Arrêt	Klappstecker	Pasador De Parada	
12	6193014M1	1	Pin Ram/Hook	Axe	Bolzen	Pasador	
13	6193019M1	1	Grub Screw	Vis Sans Tête	Gewindestift	Tornillo	
14	6193011M91	1	Cylinder Assy.	Vérin Ass.	Zylinder Kplt	Gato, Conj.	
15	6193577M91	1	Check Valve	Clapet Anti-Retour	Ventil, Rückschlag-	Válvula De Parada	
16	6193578M91	1	Kit Seal-Check Valve	Jeu Étanchéité	Dichtringsatz	Juego De Juntas	
17	6193576M91	1	Kit Seal	Jeu Étanchéité	Dichtringsatz	Juego De Juntas	
18	358741X91	1	Union, Hydr.	Raccord	Verschraubung	Racor	
19	#UNION	1	Union	Union	Union	Union	Ref. 18
20	831495M1	1	O-Ring	Joint Torique	O-Ring	Junta De Tipo O	
21	6106088M91	1	Connector, Hydraulic	Borne	Doppelnippel	Conector	
22	#UNION	1	Union	Union	Union	Union	Ref. 21
23	#O-RING	1	O-Ring	Joint Torique	O-Ring	Junta Tórica	



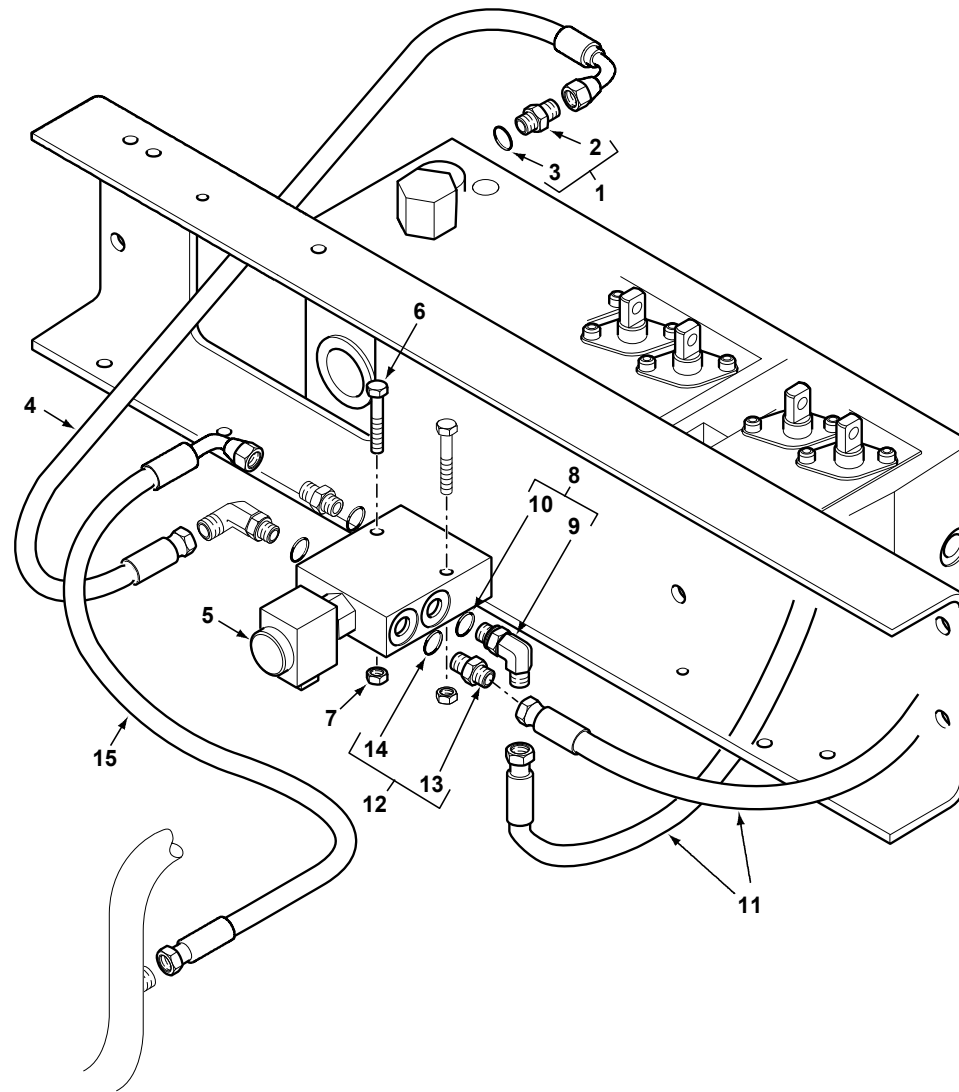
C-90002-01.1-A



Item	Part No.	Qty.	English	French	German	Spanish	Remarks
1	3516519M94	2	Pin & Plate 45-322,5	Axe	Bolzen	Pasador	
2	3501790M1	2	Washer M46-65-5 Z	Rondelle	Scheibe	Arandela	
3	3516522M91	2	Pin Safety Linch	Goupille D´Arrêt	Klappstecker	Pasador De Parada	
4	6102923M91	2	Hose - Digger Q/Attach., Miller	Flexible	Schlauch Kpl	Flexible, Conj.	
5	356612X1	2	Nut 7/16" Unf	Ecrou Unf	Mutter 7/16" Unf	Tuerca	
6	371089X1	2	Elbow 45 Deg	Coude, 45	Kniestück, 45°	Codo, 45°	
7	6106086M91	2	Hose-Miller Q/Attach Hyd.	Flexible Ass.	Schlauch Kpl	Flexible, Conj.	
8	#HOSE ASSY	2	Hose Assy	Hose Assy	Hose Assy	Hose Assy	90002c02.1 11
9	3517732M1	1	Clip, Hose	Collier Durit	Schlauchschelle	Argolla De Fijación	
10	D142787	1	Saddle (See 142787d)	Selle	Sattel	Bloque De Caucho	
11	1664405M1	6	Tie Mm T50s	Attache Cable	Kabelbinder	Enlace De Cable	
12	3517731M1	1	Clamp-Hose	Bride Pour Tutaux	Schlauchschelle	Argolla De Fijación	
13	D142787	1	Saddle (See 142787d)	Selle	Sattel	Bloque De Caucho	
14	515-22127	4	Clip-Coated P	Collier De Fixation	Befestigungsschelle	Argolla De Fijación	
15	6101777M91	1	Cover Assy. - Switch Operating	Cache	Abdeckung	Tapa	
16	6102490M1	1	Relay-Micro	Relais	Relais	Relé	
17	218-772	2	Plug-37deg Flared Tube	Bouchon	Stopfen	Tapón	



C-90002-02.1-A

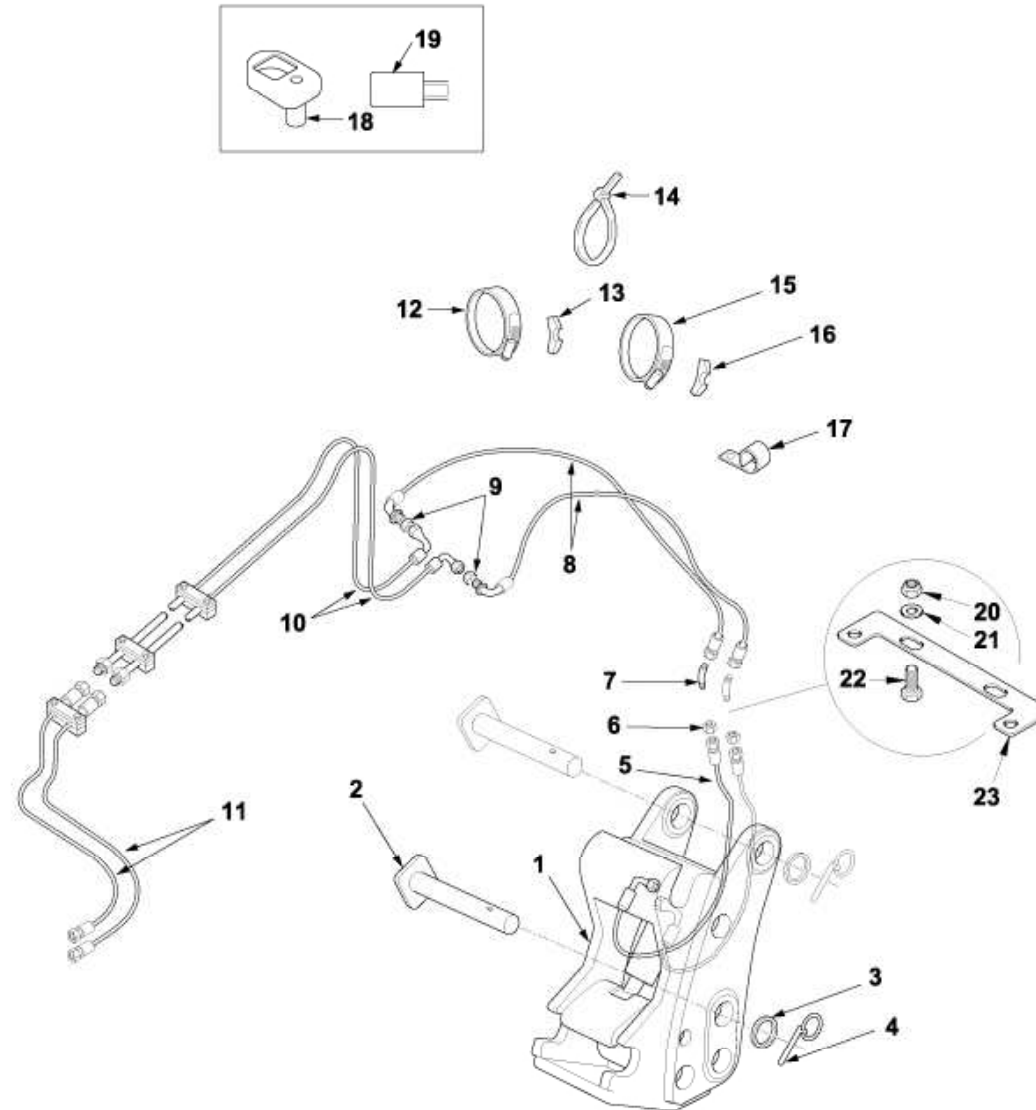




Item	Part No.	Qty.	English	French	German	Spanish	Remarks
1	365830X91	1	Connector	Adaptateur	Reduziernippel	Unión	
2	#UNION	1	Union	Union	Union	Union	Ref. 1
3	#O-RING	1	O-Ring	Joint Torique	O-Ring	Junta Tórica	
4	6109910M91	1	Hose Assy - Q/A Feed	Flexible Ass.	Schlauch Kpl	Flexible, Conj.	
5	6106011M91	1	Valve-Digger Quick Attach.	Électrovalve	Magnetventil	Electroválvula	90002c03.1
6	391244X1	2	Bolt M6-45 Z5s	Goupille	Bolzen - M6 X 45	Perno	
7	1441500X1	2	Nut M6 Z5 Nyloc	Ecrou	Flachmutter M6	Tuerca De Retención	
8	370807X91	2	Elbow 90 7/16jic9/16or	Coude, 90	Kniestück, 90°	Codo, 90°	
9	#ELBOW	1	Elbow	Elbow	Elbow	Elbow	Ref. 8
10	831452M1	1	O Ring (Pack Of 10)	Joint Torique	O Ring	Junta De Tipo O	
11	6102806M91	1	Hose-Quick Attach	Flexible Ass.	Schlauch Kpl	Flexible, Conj.	Yellow
11	6111273M91	1	Hose Assembly - Q/Attach	Ensemble Durit	Schlauch Kpl	Flexible, Conj.	
12	365065X91	2	Connector 7/16x9/16	Borne	Doppelnippel	Unión	
13	#UNION	1	Union	Union	Union	Union	Ref. 12
14	831452M1	1	O Ring (Pack Of 10)	Joint Torique	O Ring	Junta De Tipo O	
15	3519226M91	1	Hose Assy	Flexible Ass.	Schlauch Kpl	Flexible, Conj.	



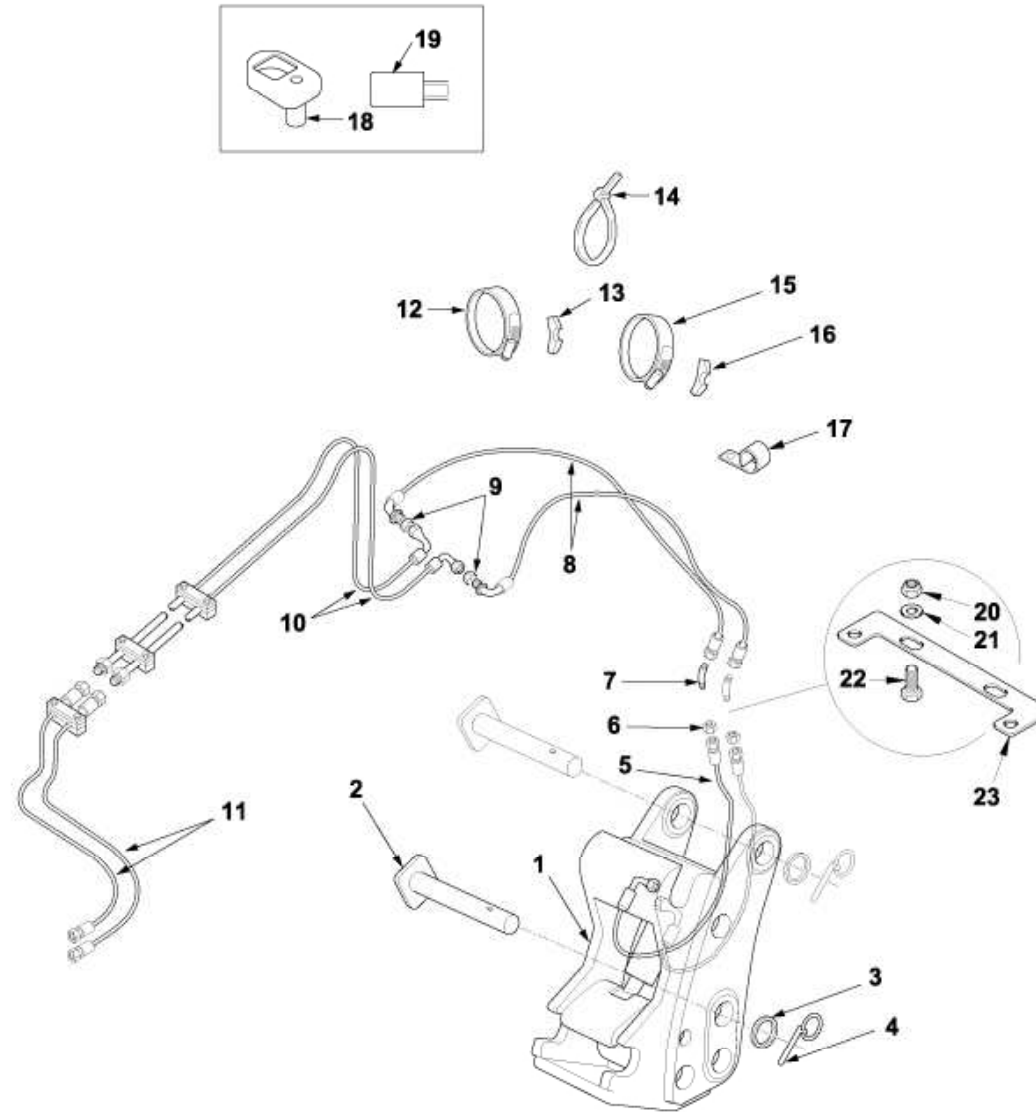
C-90003-01.1-B



Item	Part No.	Qty.	English	French	German	Spanish	Remarks
1	6106011M91	1	Valve-Digger Quick Attach.	Électrovalve	Magnetventil	Electroválvula	90002c02.1 5
2	#BODY	1	Body	Body	Body	Body	Ref. 1
3	6193020M91	1	Cartridge Assy	Cartouche Ass.	Einsatz Kplt	Solenoido, Conj.	
4	#NUT	1	Nut	Ecrou	Mutter	Tuerca	Ref. 3
5	#CARTRIDGE	1	Cartridge	Cartridge	Cartridge	Cartridge	Ref. 3
6	6193022M91	1	Kit Seal	Jeu Étanchéité	Dichtringsatz	Juego De Juntas	
7	6191096M91	1	Coil Assy.	Bobine	Wicklung, Spule	Bobina	
8	6193021M1	1	Restrictor	Réduction	Reduzierstück	Reducción	



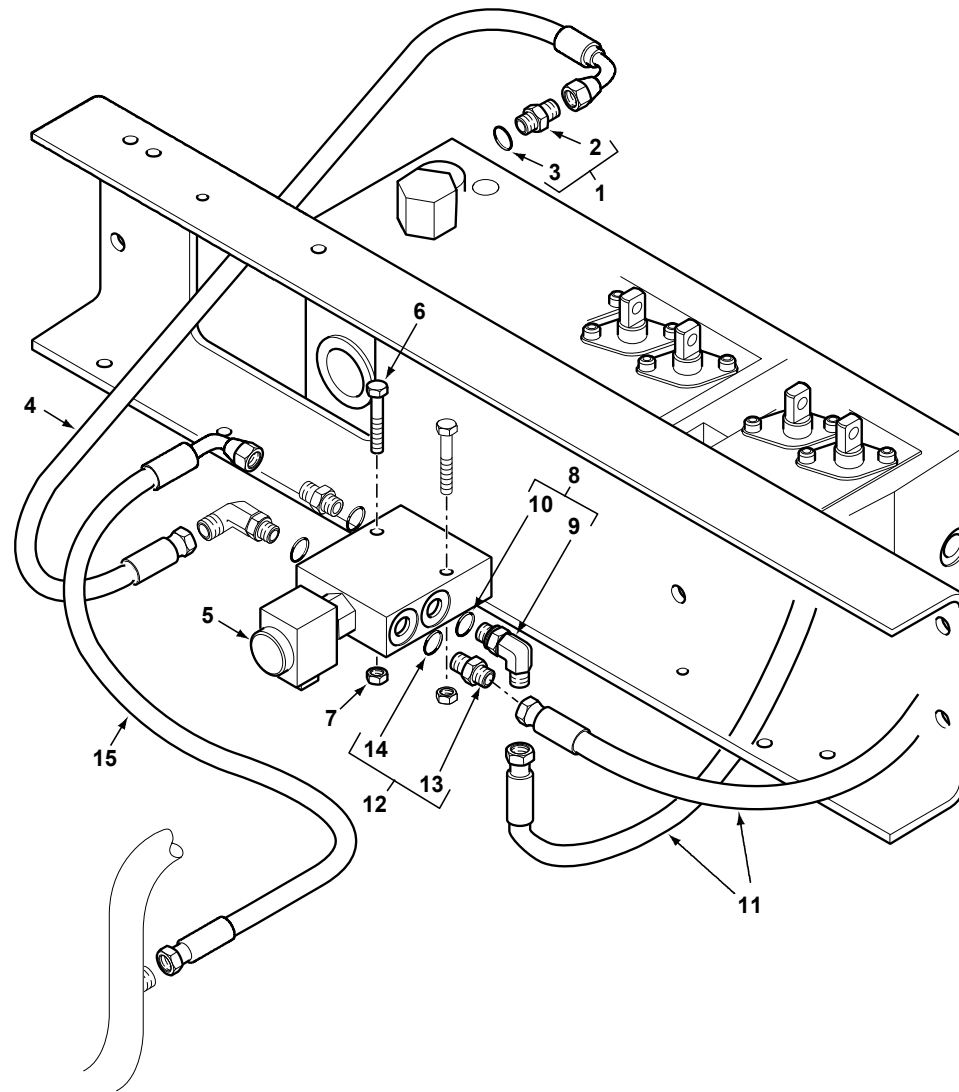
C-90003-01.1-B



Item	Part No.	Qty.	English	French	German	Spanish	Remarks
1	6108811M92	1	Miller Quick Attach Assy. ( Digger ) [Not For Sale In Uk]	Ensem. D&Attel. Rapi	Schnellkupplung Kpl	Engan. Rápido, Conj.	90003c04.1 1
2	3516519M94	2	Pin & Plate 45-322,5	Axe	Bolzen	Pasador	
3	3501790M1	2	Washer M46-65-5 Z	Rondelle	Scheibe	Arandela	
4	3516522M91	2	Pin Safety Linch	Goupille D´Arrêt	Klappstecker	Pasador De Parada	
5	6102923M91	2	Hose - Digger Q/Attach., Miller	Flexible	Schlauch Kpl	Flexible, Conj.	
6	356612X1	2	Nut 7/16" Unf	Ecrou Unf	Mutter 7/16" Unf	Tuerca	
7	371089X1	2	Elbow 45 Deg	Coude, 45	Kniestück, 45°	Codo, 45°	
8	6102922M92	2	Hose-Miller Q/Attach Hyd.	Ensemble Durit	Schlauch Kpl	Flexible, Conj.	
9	356612X1	2	Nut 7/16" Unf	Ecrou Unf	Mutter 7/16" Unf	Tuerca	
10	6111272M91	1	Hose Assembly - Q/Attach Boom	Ensemble Durit	Schlauch Kpl	Flexible, Conj.	Black
10	3521945M95	1	Hose Assy. - Digger Quick Attach	Flexible Ass.	Schlauch Kpl	Flexible, Conj.	Yellow
11	#HOSE ASSY	2	Hose Assy	Hose Assy	Hose Assy	Hose Assy	90003c02.1 11
12	3517732M1	1	Clip, Hose	Collier Durit	Schlauchschelle	Argolla De Fijación	
13	D142787	1	Saddle (See 142787d)	Selle	Sattel	Bloque De Caucho	
14	1664405M1	6	Tie Mm T50s	Attache Cable	Kabelbinder	Enlace De Cable	
15	3517731M1	1	Clamp-Hose	Bride Pour Tutaux	Schlauchschelle	Argolla De Fijación	
16	D142787	1	Saddle (See 142787d)	Selle	Sattel	Bloque De Caucho	
17	515-22127	4	Clip-Coated P	Collier De Fixation	Befestigungsschelle	Argolla De Fijación	
18	6101777M91	1	Cover Assy. - Switch Operating	Cache	Abdeckung	Tapa	
19	6102490M1	1	Relay-Micro	Relais	Relais	Relé	
20	1440329X1	2	Nut, Hex. - Nyloc, M10	Ecrou Blocage	Flachmutter M10	Tuerca De Retención	
21	390597X1	2	Washer, Large - M10	Rondelle	Scheibe	Arandela	
22	3009492X1	2	Bolt - Hex. M10 X 25	Boulon M10 X 25	Schraube M10 X 25	Tornillo	
23	6112498M1	1	Bracket	Support Fixation	Haltearm	Pata De Fijación	



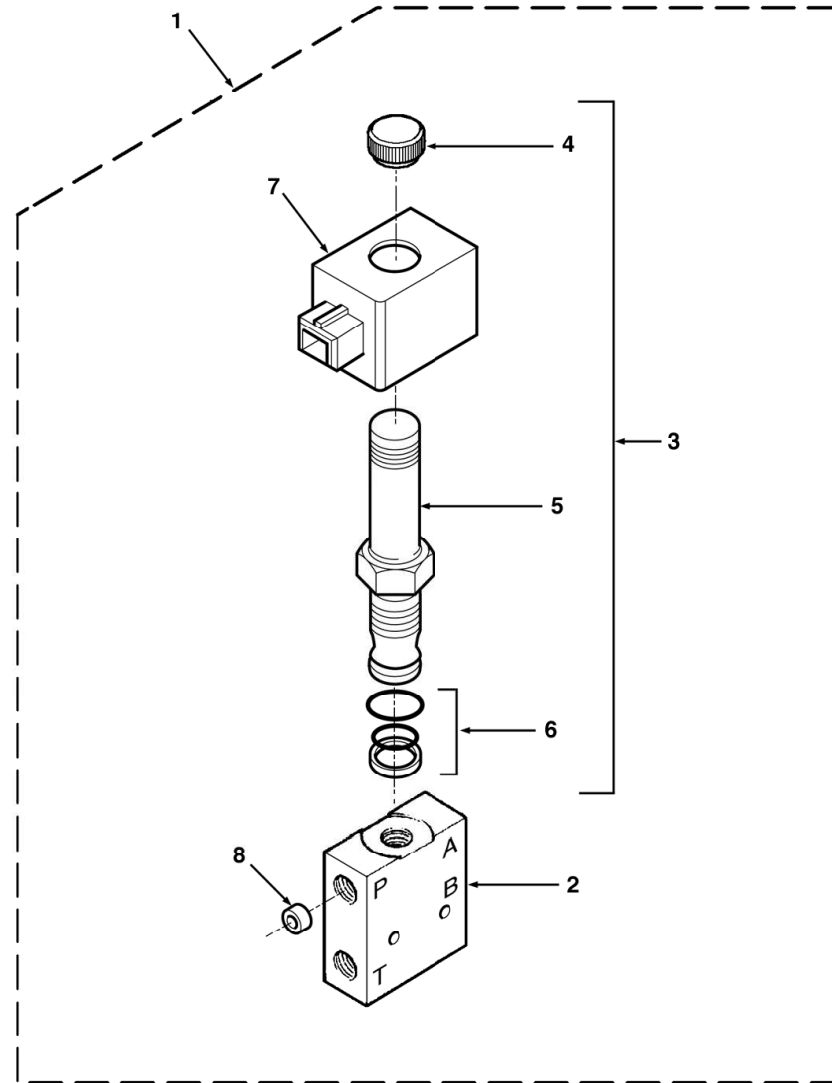
C-90003-02.1-A



Item	Part No.	Qty.	English	French	German	Spanish	Remarks
1	365830X91	1	Connector	Adaptateur	Reduziernippel	Unión	
2	#UNION	1	Union	Union	Union	Union	Ref. 1
3	#O-RING	1	O-Ring	Joint Torique	O-Ring	Junta Tórica	
4	6109910M91	1	Hose Assy - Q/A Feed	Flexible Ass.	Schlauch Kpl	Flexible, Conj.	
5	6106011M91	1	Valve-Digger Quick Attach.	Électrovalve	Magnetventil	Electroválvula	98003c03.1
6	391244X1	2	Bolt M6-45 Z5s	Goupille	Bolzen - M6 X 45	Perno	
7	1441500X1	2	Nut M6 Z5 Nyloc	Ecrou	Flachmutter M6	Tuerca De Retención	
8	370807X91	2	Elbow 90 7/16jic9/16or	Coude, 90	Kniestück, 90°	Codo, 90°	
9	#ELBOW	1	Elbow	Elbow	Elbow	Elbow	Ref. 8
10	831452M1	1	O Ring (Pack Of 10)	Joint Torique	O Ring	Junta De Tipo O	
11	6102806M91	1	Hose-Quick Attach	Flexible Ass.	Schlauch Kpl	Flexible, Conj.	Yellow
11	6111273M91	1	Hose Assembly - Q/Attach	Ensemble Durit	Schlauch Kpl	Flexible, Conj.	
12	365065X91	2	Connector 7/16x9/16	Borne	Doppelnippel	Unión	
13	#UNION	1	Union	Union	Union	Union	Ref. 12
14	831452M1	1	O Ring (Pack Of 10)	Joint Torique	O Ring	Junta De Tipo O	
15	3519226M91	1	Hose Assy	Flexible Ass.	Schlauch Kpl	Flexible, Conj.	



C-90003-03.1-A

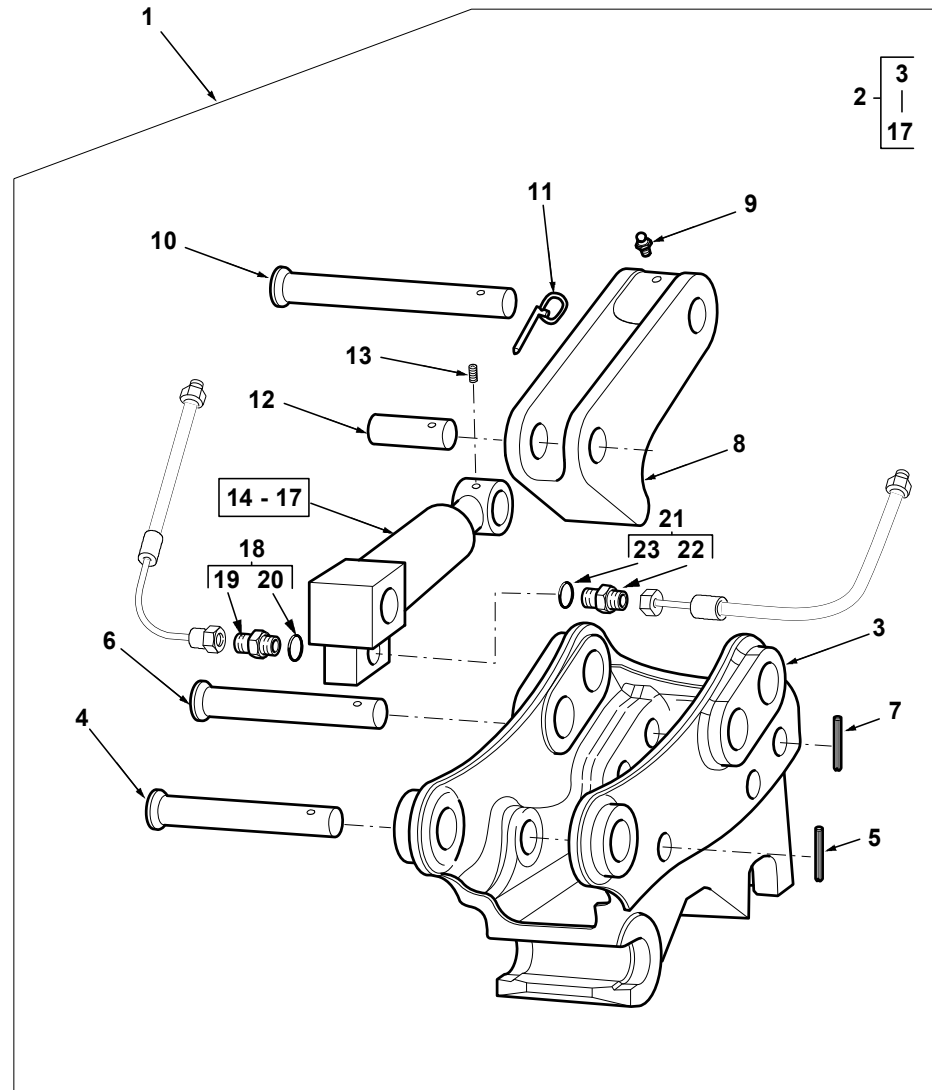




Item	Part No.	Qty.	English	French	German	Spanish	Remarks
1	6106011M91	1	Valve-Digger Quick Attach.	Électrovalve	Magnetventil	Electroválvula	90003c02.1 5
2	#BODY	1	Body	Body	Body	Body	Ref. 1
3	6193020M91	1	Cartridge Assy	Cartouche Ass.	Einsatz Kplt	Solenóide, Conj.	
4	#NUT	1	Nut	Ecrou	Mutter	Tuerca	Ref. 3
5	#CARTRIDGE	1	Cartridge	Cartridge	Cartridge	Cartridge	Ref. 3
6	6193022M91	1	Kit Seal	Jeu Étanchéité	Dichtringsatz	Juego De Juntas	
7	6191096M91	1	Coil Assy.	Bobine	Wicklung, Spule	Bobina	
8	6193021M1	1	Restrictor	Réduction	Reduzierstück	Reducción	



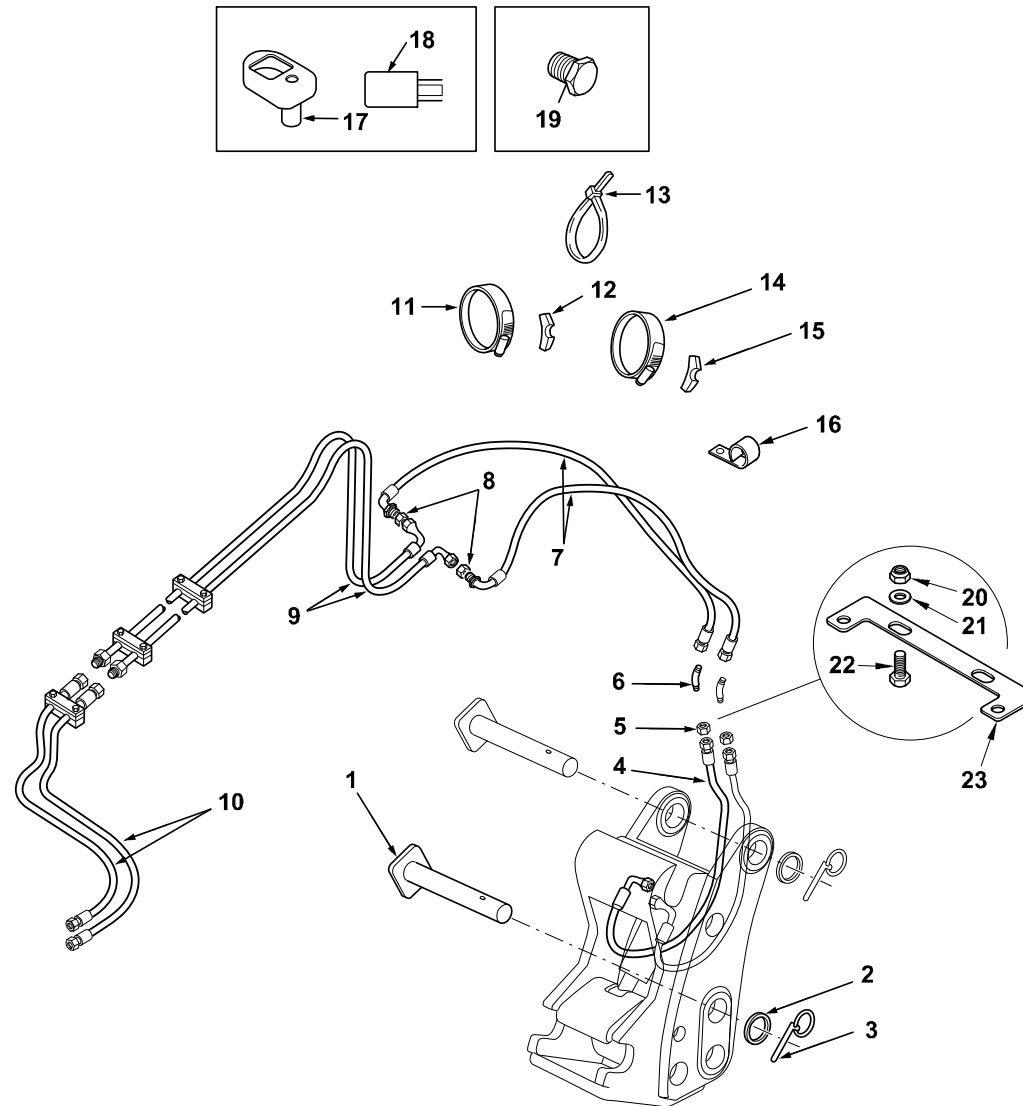
C-90003-04.1-A



Item	Part No.	Qty.	English	French	German	Spanish	Remarks
1	6108811M92	1	Miller Quick Attach Assy. ( Digger ) [Not For Sale In Uk]	Ensem. D¿Attel. Rapi	Schnellkupplung Kpl	Engan. Rápido, Conj.	
2	6102976M91	1	Quick Attach Assy. - Dig. Bucket, Miller	Ensem. D¿Attel. Rapi	Schnellkupplung Kpl	Engan. Rápido, Conj.	
3	6193009M1	1	Cast Body	Corps	Körper	Cuerpo	
4	6193013M1	1	Pin Cylinder	Axe	Bolzen	Pasador	
5	6193016M1	1	Pin Large	Axe	Bolzen	Pasador Elástico	
6	6193012M1	1	Pin Hook	Axe	Bolzen	Pasador	
7	6193016M1	1	Pin Large	Axe	Bolzen	Pasador Elástico	
8	6193010M1	1	Cast Hook	Crochet	Haken	Gancho	
9	6193018M1	1	Grease Nipple	Nipple De Graissage	Schmiernippel	Engrasador	
10	6193015M1	1	Pin Safety	Axe	Bolzen	Pasador	
11	6193017M1	1	Pin Lynch	Goupille D´Arrêt	Klappstecker	Pasador De Parada	
12	6193014M1	1	Pin Ram/Hook	Axe	Bolzen	Pasador	
13	6193019M1	1	Grub Screw	Vis Sans Tête	Gewindestift	Tornillo	
14	6193011M91	1	Cylinder Assy.	Vérin Ass.	Zylinder Kplt	Gato, Conj.	
15	6193577M91	1	Check Valve	Clapet Anti-Retour	Ventil, Rückschlag-	Válvula De Parada	
16	6193578M91	1	Kit Seal-Check Valve	Jeu Étanchéité	Dichtringsatz	Juego De Juntas	
17	6193576M91	1	Kit Seal	Jeu Étanchéité	Dichtringsatz	Juego De Juntas	
18	358741X91	1	Union, Hydr.	Raccord	Verschraubung	Racor	
19	#UNION	1	Union	Union	Union	Union	Ref. 18
20	831495M1	1	O-Ring	Joint Torique	O-Ring	Junta De Tipo O	
21	6106088M91	1	Connector, Hydraulic	Borne	Doppelnippel	Conector	
22	#UNION	1	Union	Union	Union	Union	Ref. 21
23	#O-RING	1	O-Ring	Joint Torique	O-Ring	Junta Tórica	



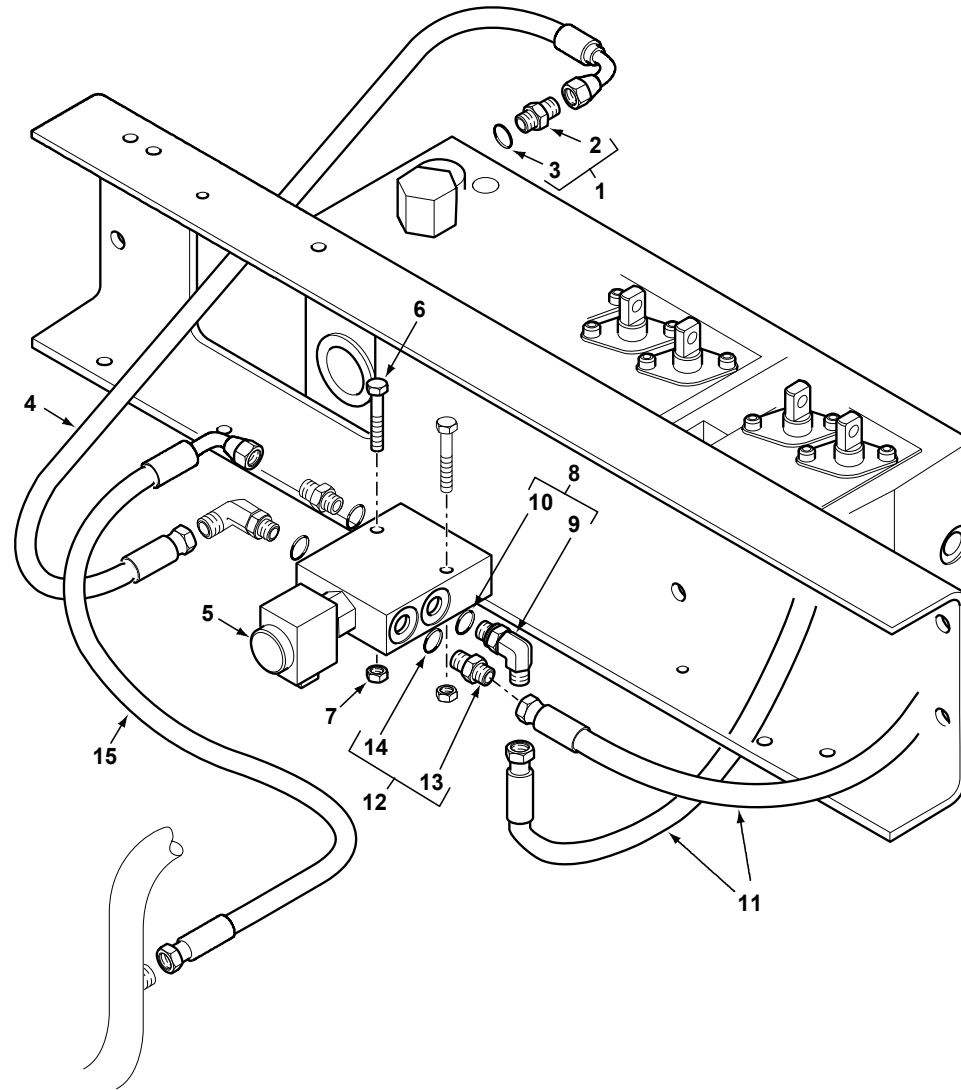
C-90004-01.1-B



Item	Part No.	Qty.	English	French	German	Spanish	Remarks
1	3516519M94	2	Pin & Plate 45-322,5	Axe	Bolzen	Pasador	
2	3501790M1	2	Washer M46-65-5 Z	Rondelle	Scheibe	Arandela	
3	3516522M91	2	Pin Safety Linch	Goupille D´Arrêt	Klappstecker	Pasador De Parada	
4	6102923M91	2	Hose - Digger Q/Attach., Miller	Flexible	Schlauch Kpl	Flexible, Conj.	
5	356612X1	2	Nut 7/16" Unf	Ecrou Unf	Mutter 7/16" Unf	Tuerca	
6	371089X1	2	Elbow 45 Deg	Coude, 45	Kniestück, 45°	Codo, 45°	
7	6102922M92	2	Hose-Miller Q/Attach Hyd.	Ensemble Durit	Schlauch Kpl	Flexible, Conj.	
8	356612X1	2	Nut 7/16" Unf	Ecrou Unf	Mutter 7/16" Unf	Tuerca	
9	3521945M95	1	Hose Assy. - Digger Quick Attach	Flexible Ass.	Schlauch Kpl	Flexible, Conj.	Yellow
9	6111272M91	1	Hose Assembly - Q/Attach Boom	Ensemble Durit	Schlauch Kpl	Flexible, Conj.	Black
10	#HOSE ASSY	2	Hose Assy	Hose Assy	Hose Assy	Hose Assy	90004c02.1 11
11	3517732M1	1	Clip, Hose	Collier Durit	Schlauchschelle	Argolla De Fijación	
12	D142787	1	Saddle (See 142787d)	Selle	Sattel	Bloque De Caucho	
13	1664405M1	6	Tie Mm T50s	Attache Cable	Kabelbinder	Enlace De Cable	
14	3517731M1	1	Clamp-Hose	Bride Pour Tutaux	Schlauchschelle	Argolla De Fijación	
15	D142787	1	Saddle (See 142787d)	Selle	Sattel	Bloque De Caucho	
16	515-22127	4	Clip-Coated P	Collier De Fixation	Befestigungsschelle	Argolla De Fijación	
17	6101777M91	1	Cover Assy. - Switch Operating	Cache	Abdeckung	Tapa	
18	6102490M1	1	Relay-Micro	Relais	Relais	Relé	
19	218-772	2	Plug-37deg Flared Tube	Bouchon	Stopfen	Tapón	
20	1440329X1	2	Nut, Hex. - Nyloc, M10	Ecrou Blocage	Flachmutter M10	Tuerca De Retención	
21	390597X1	2	Washer, Large - M10	Rondelle	Scheibe	Arandela	
22	3009492X1	2	Bolt - Hex. M10 X 25	Boulon M10 X 25	Schraube M10 X 25	Tornillo	
23	6112498M1	1	Bracket	Support Fixation	Haltearm	Pata De Fijación	



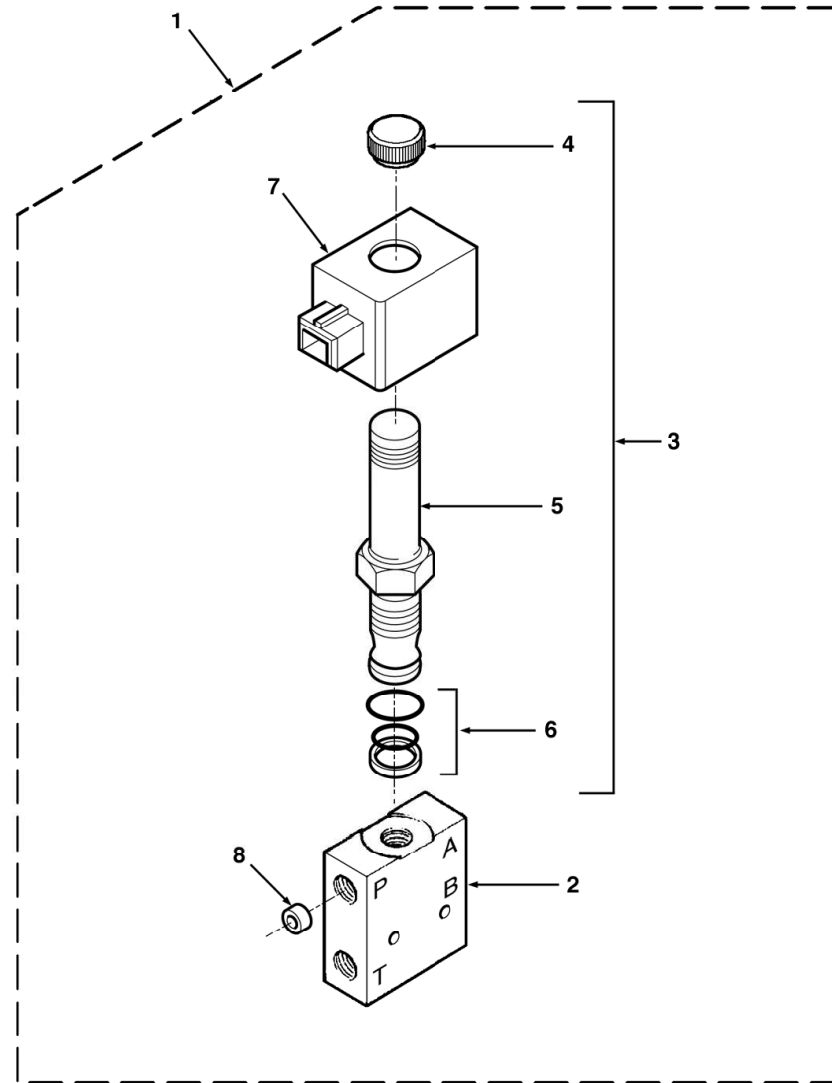
C-90004-02.1-A



Item	Part No.	Qty.	English	French	German	Spanish	Remarks
1	365830X91	1	Connector	Adaptateur	Reduziernippel	Unión	
2	#UNION	1	Union	Union	Union	Union	Ref. 1
3	#O-RING	1	O-Ring	Joint Torique	O-Ring	Junta Tórica	
4	6109910M91	1	Hose Assy - Q/A Feed	Flexible Ass.	Schlauch Kpl	Flexible, Conj.	
5	6106011M91	1	Valve-Digger Quick Attach.	Électrovalve	Magnetventil	Electroválvula	98004c03.1
6	391244X1	2	Bolt M6-45 Z5s	Goupille	Bolzen - M6 X 45	Perno	
7	1441500X1	2	Nut M6 Z5 Nyloc	Ecrou	Flachmutter M6	Tuerca De Retención	
8	370807X91	2	Elbow 90 7/16jic9/16or	Coude, 90	Kniestück, 90°	Codo, 90°	
9	#ELBOW	1	Elbow	Elbow	Elbow	Elbow	Ref. 8
10	831452M1	1	O Ring (Pack Of 10)	Joint Torique	O Ring	Junta De Tipo O	
11	6102806M91	1	Hose-Quick Attach	Flexible Ass.	Schlauch Kpl	Flexible, Conj.	Yellow
11	6111273M91	1	Hose Assembly - Q/Attach	Ensemble Durit	Schlauch Kpl	Flexible, Conj.	
12	365065X91	2	Connector 7/16x9/16	Borne	Doppelnippel	Unión	
13	#UNION	1	Union	Union	Union	Union	Ref. 12
14	831452M1	1	O Ring (Pack Of 10)	Joint Torique	O Ring	Junta De Tipo O	
15	3519226M91	1	Hose Assy	Flexible Ass.	Schlauch Kpl	Flexible, Conj.	



C-90004-03.1-A

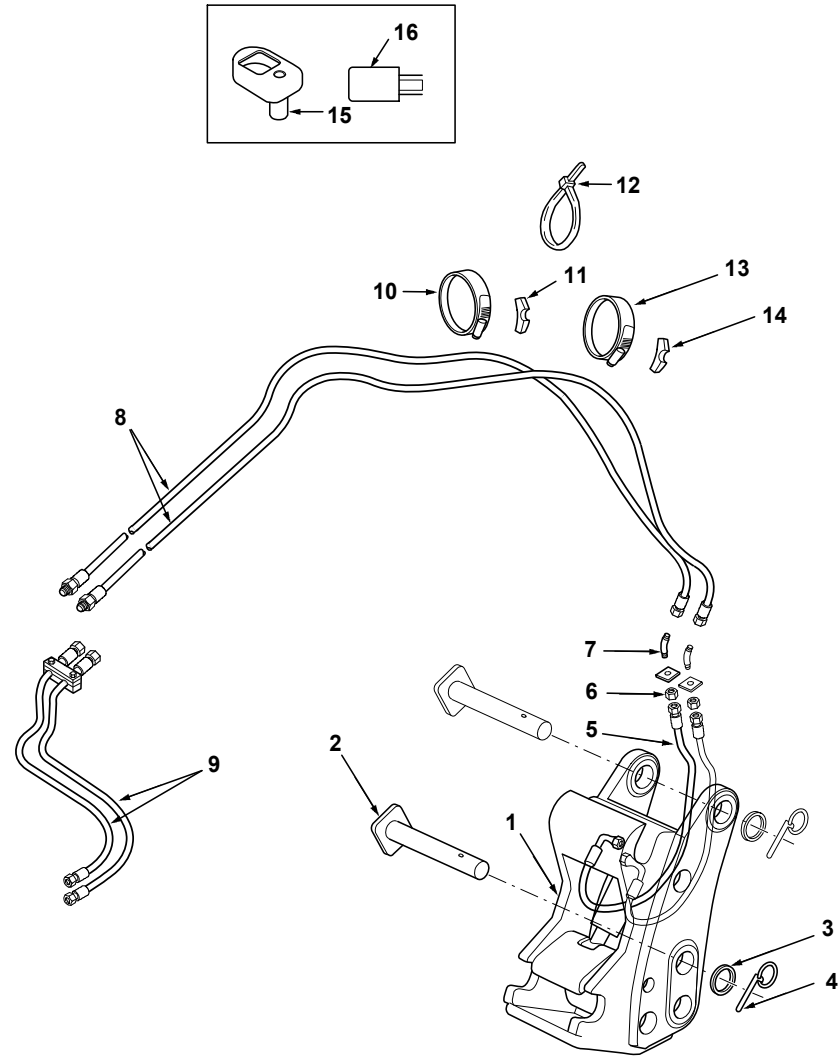




Item	Part No.	Qty.	English	French	German	Spanish	Remarks
1	6106011M91	1	Valve-Digger Quick Attach.	Électrovalve	Magnetventil	Electroválvula	90004c02.1 5
2	#BODY	1	Body	Body	Body	Body	Ref. 1
3	6193020M91	1	Cartridge Assy	Cartouche Ass.	Einsatz Kplt	Solenoido, Conj.	
4	#NUT	1	Nut	Ecrou	Mutter	Tuerca	Ref. 3
5	#CARTRIDGE	1	Cartridge	Cartridge	Cartridge	Cartridge	Ref. 3
6	6193022M91	1	Kit Seal	Jeu Étanchéité	Dichtringsatz	Juego De Juntas	
7	6191096M91	1	Coil Assy.	Bobine	Wicklung, Spule	Bobina	
8	6193021M1	1	Restrictor	Réduction	Reduzierstück	Reducción	



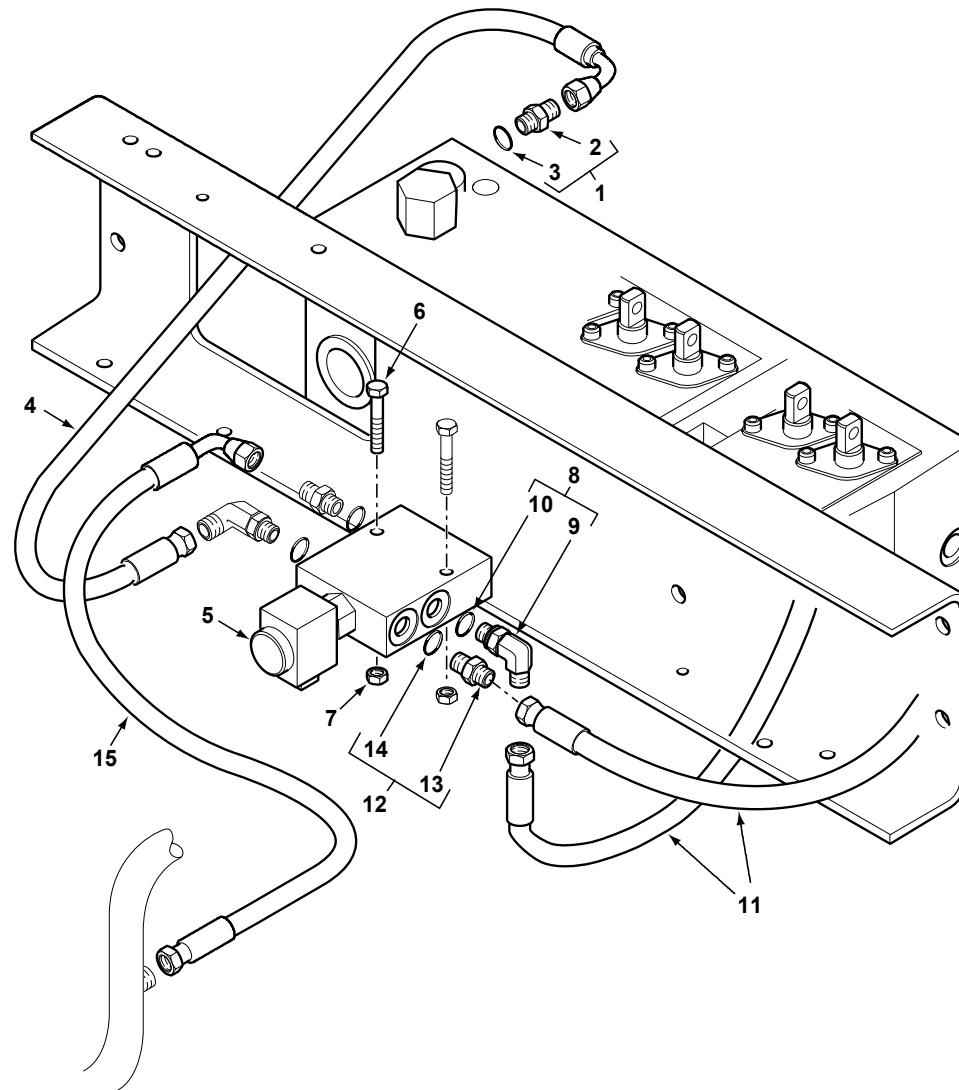
C-90005-01.1-A



Item	Part No.	Qty.	English	French	German	Spanish	Remarks
1	6108811M92	1	Miller Quick Attach Assy. ( Digger ) [Not For Sale In Uk]	Ensem. D&Attel. Rapi	Schnellkupplung Kpl	Engan. Rápido, Conj.	90005c04.1 1
2	3516519M94	2	Pin & Plate 45-322,5	Axe	Bolzen	Pasador	
3	3501790M1	2	Washer M46-65-5 Z	Rondelle	Scheibe	Arandela	
4	3516522M91	2	Pin Safety Linch	Goupille D´Arrêt	Klappstecker	Pasador De Parada	
5	6102923M91	2	Hose - Digger Q/Attach., Miller	Flexible	Schlauch Kpl	Flexible, Conj.	
6	356612X1	2	Nut 7/16" Unf	Ecrou Unf	Mutter 7/16" Unf	Tuerca	
7	371089X1	2	Elbow 45 Deg	Coude, 45	Kniestück, 45°	Codo, 45°	
8	6106086M91	2	Hose-Miller Q/Attach Hyd.	Flexible Ass.	Schlauch Kpl	Flexible, Conj.	
9	#HOSE ASSY	2	Hose Assy	Hose Assy	Hose Assy	Hose Assy	90005c02.1 11
10	3517732M1	1	Clip, Hose	Collier Durit	Schlauchschelle	Argolla De Fijación	
11	D142787	1	Saddle (See 142787d)	Selle	Sattel	Bloque De Caucho	
12	1664405M1	6	Tie Mm T50s	Attache Cable	Kabelbinder	Enlace De Cable	
13	3517731M1	1	Clamp-Hose	Bride Pour Tutaux	Schlauchschelle	Argolla De Fijación	
14	D142787	1	Saddle (See 142787d)	Selle	Sattel	Bloque De Caucho	
15	6101777M91	1	Cover Assy. - Switch Operating	Cache	Abdeckung	Tapa	
16	6102490M1	1	Relay-Micro	Relais	Relais	Relé	



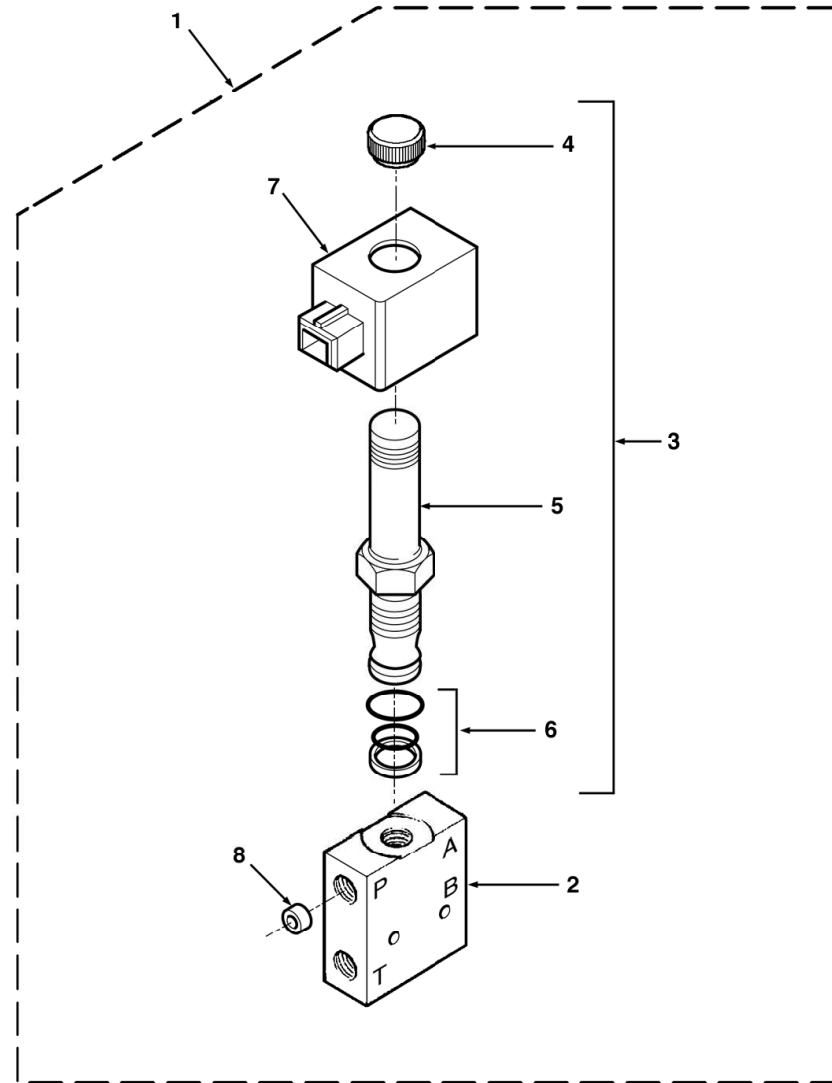
C-90005-02.1-A



Item	Part No.	Qty.	English	French	German	Spanish	Remarks
1	365830X91	1	Connector	Adaptateur	Reduziernippel	Unión	
2	#UNION	1	Union	Union	Union	Union	Ref. 1
3	#O-RING	1	O-Ring	Joint Torique	O-Ring	Junta Tórica	
4	6109910M91	1	Hose Assy - Q/A Feed	Flexible Ass.	Schlauch Kpl	Flexible, Conj.	
5	6106011M91	1	Valve-Digger Quick Attach.	Électrovalve	Magnetventil	Electroválvula	90005c03.1 1
6	391244X1	2	Bolt M6-45 Z5s	Goupille	Bolzen - M6 X 45	Perno	
7	1441500X1	2	Nut M6 Z5 Nyloc	Ecrou	Flachmutter M6	Tuerca De Retención	
8	370807X91	2	Elbow 90 7/16jic9/16or	Coude, 90	Kniestück, 90°	Codo, 90°	
9	#ELBOW	1	Elbow	Elbow	Elbow	Elbow	Ref. 8
10	831452M1	1	O Ring (Pack Of 10)	Joint Torique	O Ring	Junta De Tipo O	
11	3519882M92	2	Hose-(Cm Kit) Q/Attach	Flexible	Schlauch	Flexible, Conj.	
12	365065X91	2	Connector 7/16x9/16	Borne	Doppelnippel	Unión	
13	#UNION	1	Union	Union	Union	Union	Ref. 12
14	831452M1	1	O Ring (Pack Of 10)	Joint Torique	O Ring	Junta De Tipo O	
15	3519226M91	1	Hose Assy	Flexible Ass.	Schlauch Kpl	Flexible, Conj.	



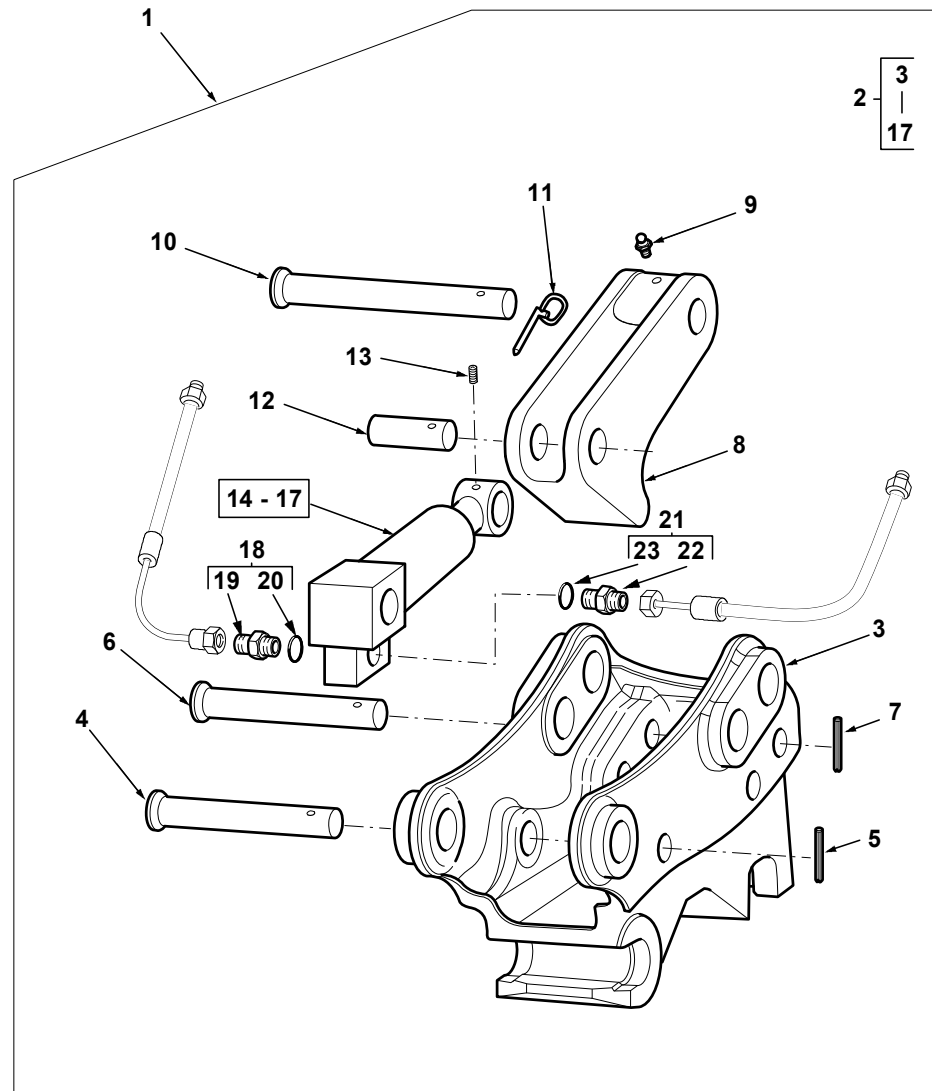
C-90005-03.1-A



Item	Part No.	Qty.	English	French	German	Spanish	Remarks
1	6106011M91	1	Valve-Digger Quick Attach.	Électrovalve	Magnetventil	Electroválvula	90005c02.1 5
2	#BODY	1	Body	Body	Body	Body	Ref. 1
3	6193020M91	1	Cartridge Assy	Cartouche Ass.	Einsatz Kplt	Solenóide, Conj.	
4	#NUT	1	Nut	Ecrou	Mutter	Tuerca	Ref. 3
5	#CARTRIDGE	1	Cartridge	Cartridge	Cartridge	Cartridge	Ref. 3
6	6193022M91	1	Kit Seal	Jeu Étanchéité	Dichtringsatz	Juego De Juntas	
7	6191096M91	1	Coil Assy.	Bobine	Wicklung, Spule	Bobina	
8	6193021M1	1	Restrictor	Réduction	Reduzierstück	Reducción	



C-90005-04.1-A

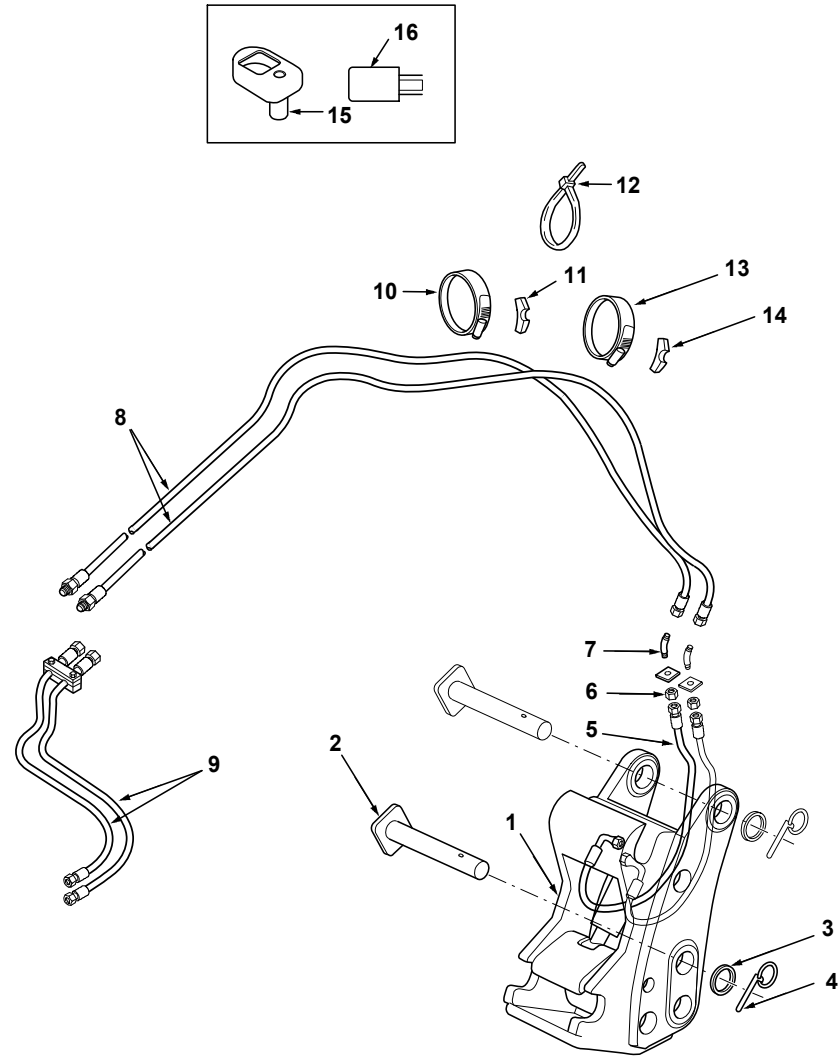




Item	Part No.	Qty.	English	French	German	Spanish	Remarks
1	6108811M92	1	Miller Quick Attach Assy. ( Digger ) [Not For Sale In Uk]	Ensem. D¿Attel. Rapi	Schnellkupplung Kpl	Engan. Rápido, Conj.	
2	6102976M91	1	Quick Attach Assy. - Dig. Bucket, Miller	Ensem. D¿Attel. Rapi	Schnellkupplung Kpl	Engan. Rápido, Conj.	
3	6193009M1	1	Cast Body	Corps	Körper	Cuerpo	
4	6193013M1	1	Pin Cylinder	Axe	Bolzen	Pasador	
5	6193016M1	1	Pin Large	Axe	Bolzen	Pasador Elástico	
6	6193012M1	1	Pin Hook	Axe	Bolzen	Pasador	
7	6193016M1	1	Pin Large	Axe	Bolzen	Pasador Elástico	
8	6193010M1	1	Cast Hook	Crochet	Haken	Gancho	
9	6193018M1	1	Grease Nipple	Nipple De Graissage	Schmiernippel	Engrasador	
10	6193015M1	1	Pin Safety	Axe	Bolzen	Pasador	
11	6193017M1	1	Pin Lynch	Goupille D´Arrêt	Klappstecker	Pasador De Parada	
12	6193014M1	1	Pin Ram/Hook	Axe	Bolzen	Pasador	
13	6193019M1	1	Grub Screw	Vis Sans Tête	Gewindestift	Tornillo	
14	6193011M91	1	Cylinder Assy.	Vérin Ass.	Zylinder Kplt	Gato, Conj.	
15	6193577M91	1	Check Valve	Clapet Anti-Retour	Ventil, Rückschlag-	Válvula De Parada	
16	6193578M91	1	Kit Seal-Check Valve	Jeu Étanchéité	Dichtringsatz	Juego De Juntas	
17	6193576M91	1	Kit Seal	Jeu Étanchéité	Dichtringsatz	Juego De Juntas	
18	358741X91	1	Union, Hydr.	Raccord	Verschraubung	Racor	
19	#UNION	1	Union	Union	Union	Union	Ref. 18
20	831495M1	1	O-Ring	Joint Torique	O-Ring	Junta De Tipo O	
21	6106088M91	1	Connector, Hydraulic	Borne	Doppelnippel	Conector	
22	#UNION	1	Union	Union	Union	Union	Ref. 21
23	#O-RING	1	O-Ring	Joint Torique	O-Ring	Junta Tórica	



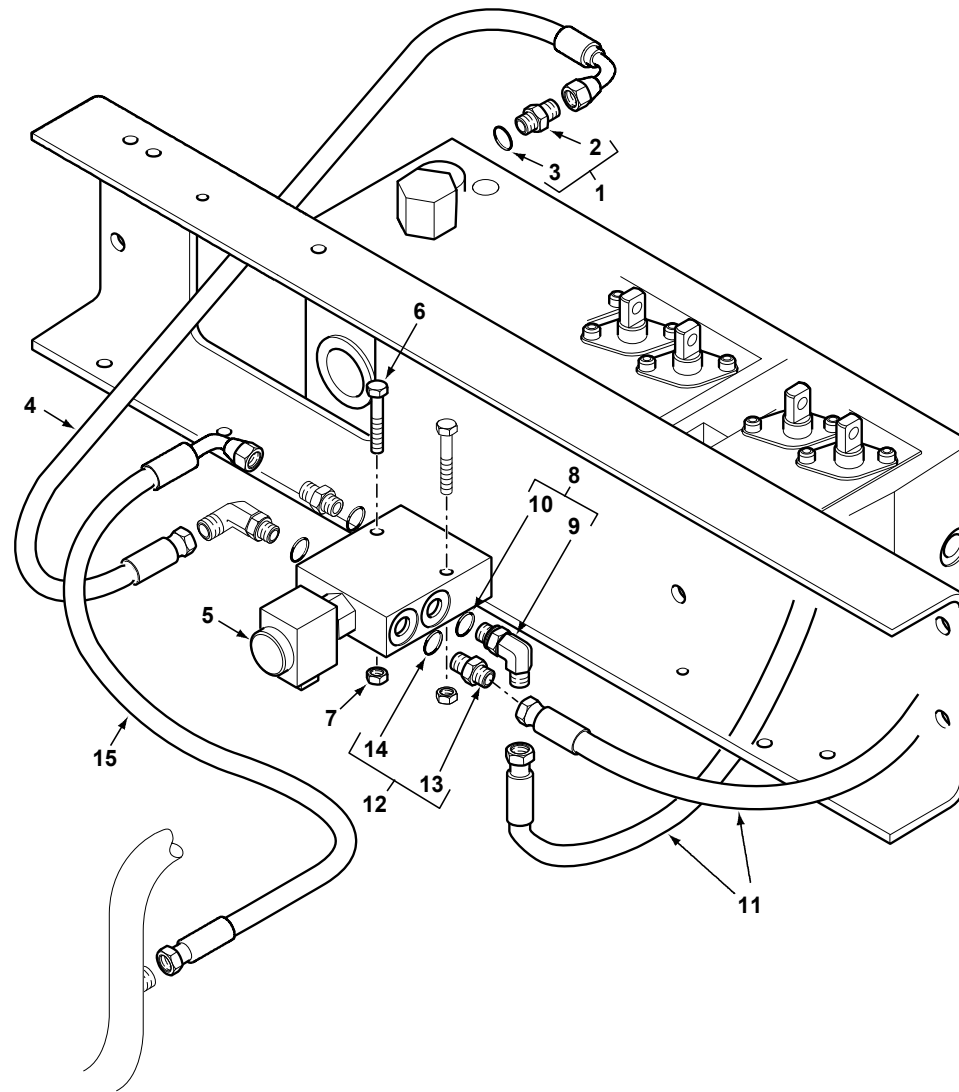
C-90006-01.1-A



Item	Part No.	Qty.	English	French	German	Spanish	Remarks
1	6108811M92	1	Miller Quick Attach Assy. ( Digger ) [Not For Sale In Uk]	Ensem. D&Attel. Rapi	Schnellkupplung Kpl	Engan. Rápido, Conj.	90006c04.1 1
2	3516519M94	2	Pin & Plate 45-322,5	Axe	Bolzen	Pasador	
3	3501790M1	2	Washer M46-65-5 Z	Rondelle	Scheibe	Arandela	
4	3516522M91	2	Pin Safety Linch	Goupille D´Arrêt	Klappstecker	Pasador De Parada	
5	6102923M91	2	Hose - Digger Q/Attach., Miller	Flexible	Schlauch Kpl	Flexible, Conj.	
6	356612X1	2	Nut 7/16" Unf	Ecrou Unf	Mutter 7/16" Unf	Tuerca	
7	371089X1	2	Elbow 45 Deg	Coude, 45	Kniestück, 45°	Codo, 45°	
8	6106087M91	2	Hose-Miller Q/Attach Hyd.	Flexible	Schlauch Kpl	Flexible, Conj.	
9	#HOSE ASSY	2	Hose Assy	Hose Assy	Hose Assy	Hose Assy	90006c02.1 11
10	3517732M1	1	Clip, Hose	Collier Durit	Schlauchschelle	Argolla De Fijación	
11	D142787	1	Saddle (See 142787d)	Selle	Sattel	Bloque De Caucho	
12	1664405M1	6	Tie Mm T50s	Attache Cable	Kabelbinder	Enlace De Cable	
13	3517731M1	1	Clamp-Hose	Bride Pour Tutaux	Schlauchschelle	Argolla De Fijación	
14	D142787	1	Saddle (See 142787d)	Selle	Sattel	Bloque De Caucho	
15	6101777M91	1	Cover Assy. - Switch Operating	Cache	Abdeckung	Tapa	
16	6102490M1	1	Relay-Micro	Relais	Relais	Relé	



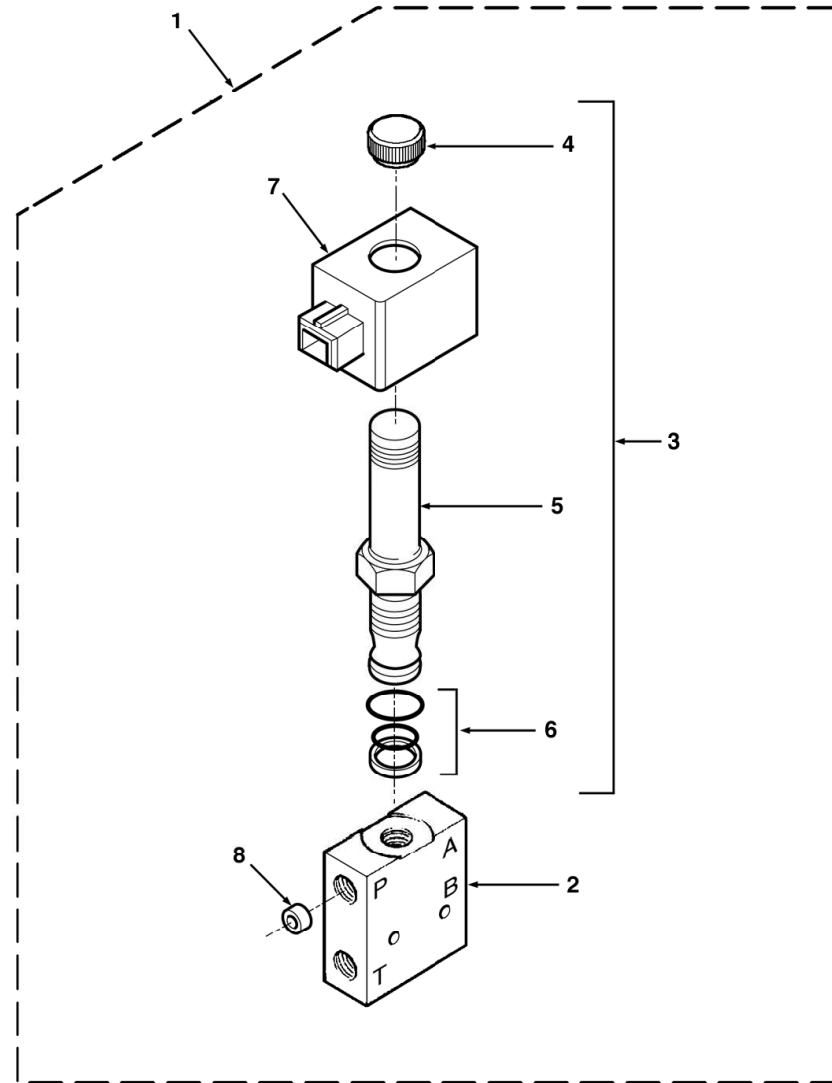
C-90006-02.1-A



Item	Part No.	Qty.	English	French	German	Spanish	Remarks
1	365830X91	1	Connector	Adaptateur	Reduziernippel	Unión	
2	#UNION	1	Union	Union	Union	Unión	Ref. 1
3	#O-RING	1	O-Ring	Joint Torique	O-Ring	Junta Tórica	
4	6109910M91	1	Hose Assy - Q/A Feed	Flexible Ass.	Schlauch Kpl	Flexible, Conj.	
5	6106011M91	1	Valve-Digger Quick Attach.	Électrovalve	Magnetventil	Electroválvula	90006c03.1 1
6	391244X1	2	Bolt M6-45 Z5s	Goupille	Bolzen - M6 X 45	Perno	
7	1441500X1	2	Nut M6 Z5 Nyloc	Ecrou	Flachmutter M6	Tuerca De Retención	
8	370807X91	2	Elbow 90 7/16jic9/16or	Coude, 90	Kniestück, 90°	Codo, 90°	
9	#ELBOW	1	Elbow	Elbow	Elbow	Elbow	Ref. 8
10	831452M1	1	O Ring (Pack Of 10)	Joint Torique	O Ring	Junta De Tipo O	
11	3519882M92	2	Hose-(Cm Kit) Q/Attach	Flexible	Schlauch	Flexible, Conj.	
12	365065X91	2	Connector 7/16x9/16	Borne	Doppelnippel	Unión	
13	#UNION	1	Union	Union	Union	Unión	Ref. 12
14	831452M1	1	O Ring (Pack Of 10)	Joint Torique	O Ring	Junta De Tipo O	
15	3519226M91	1	Hose Assy	Flexible Ass.	Schlauch Kpl	Flexible, Conj.	



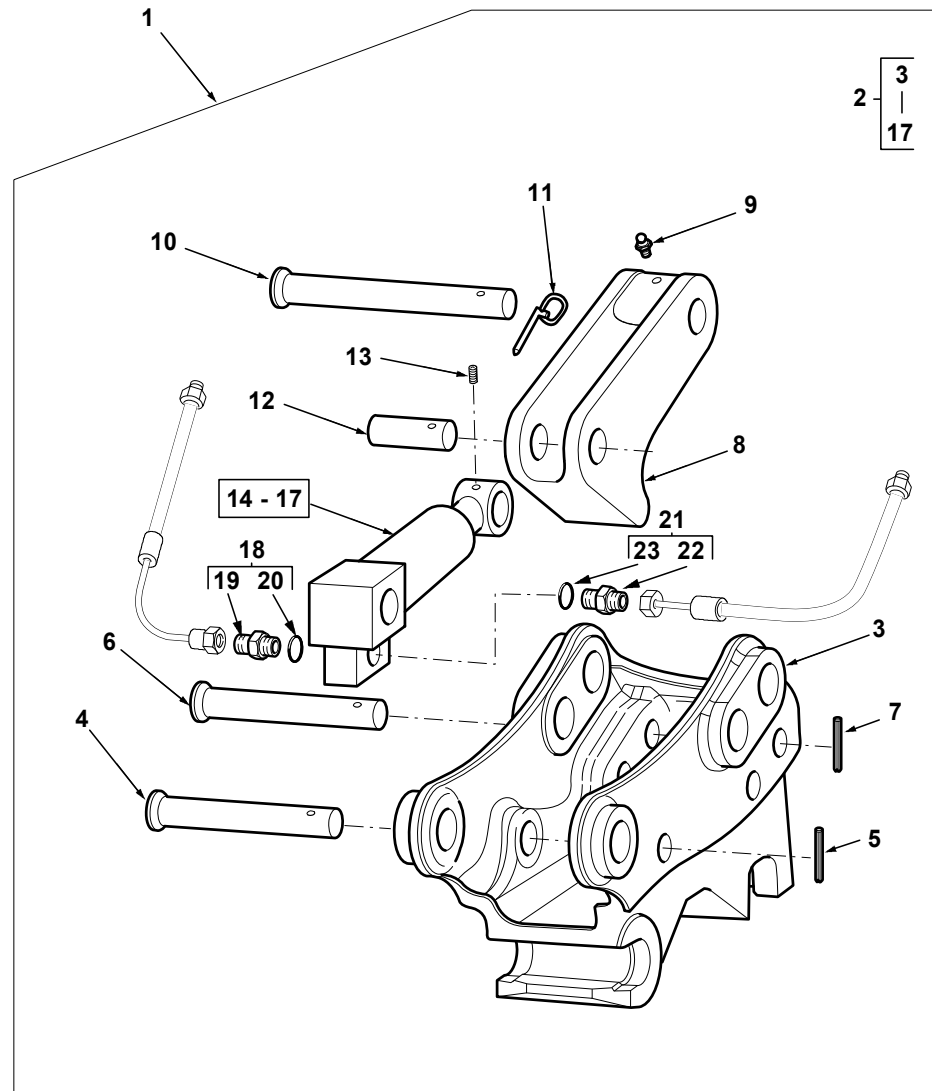
C-90006-03.1-A



Item	Part No.	Qty.	English	French	German	Spanish	Remarks
1	6106011M91	1	Valve-Digger Quick Attach.	Électrovalve	Magnetventil	Electroválvula	90006c02.1 5
2	#BODY	1	Body	Body	Body	Body	Ref. 1
3	6193020M91	1	Cartridge Assy	Cartouche Ass.	Einsatz Kplt	Solenoido, Conj.	
4	#NUT	1	Nut	Ecrou	Mutter	Tuerca	Ref. 3
5	#CARTRIDGE	1	Cartridge	Cartridge	Cartridge	Cartridge	Ref. 3
6	6193022M91	1	Kit Seal	Jeu Étanchéité	Dichtringsatz	Juego De Juntas	
7	6191096M91	1	Coil Assy.	Bobine	Wicklung, Spule	Bobina	
8	6193021M1	1	Restrictor	Réduction	Reduzierstück	Reducción	



C-90006-04.1-A

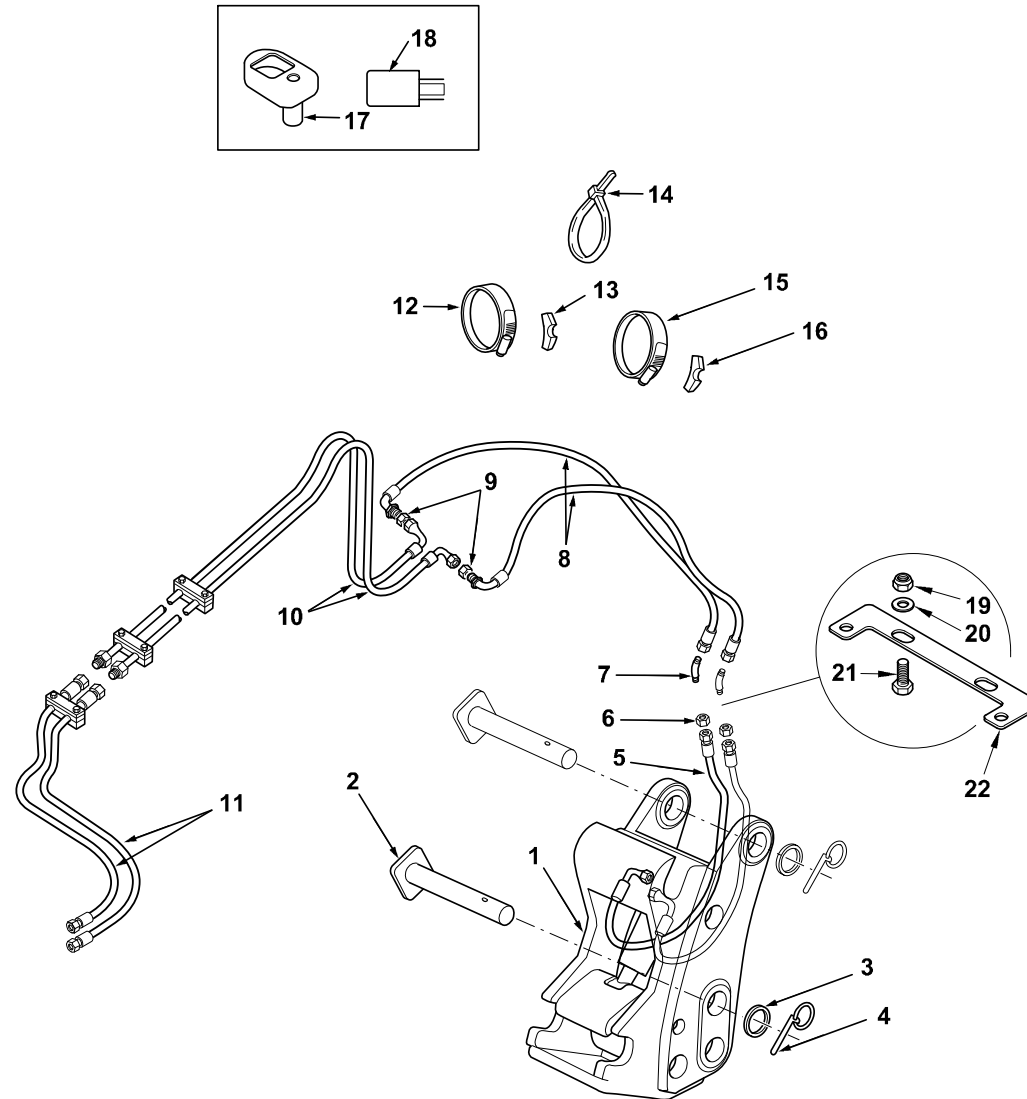




Item	Part No.	Qty.	English	French	German	Spanish	Remarks
1	6108811M92	1	Miller Quick Attach Assy. ( Digger ) [Not For Sale In Uk]	Ensem. D&Attel. Rapi	Schnellkupplung Kpl	Engan. Rápido, Conj.	
2	6102976M91	1	Quick Attach Assy. - Dig. Bucket, Miller	Ensem. D&Attel. Rapi	Schnellkupplung Kpl	Engan. Rápido, Conj.	
3	6193009M1	1	Cast Body	Corps	Körper	Cuerpo	
4	6193013M1	1	Pin Cylinder	Axe	Bolzen	Pasador	
5	6193016M1	1	Pin Large	Axe	Bolzen	Pasador Elástico	
6	6193012M1	1	Pin Hook	Axe	Bolzen	Pasador	
7	6193016M1	1	Pin Large	Axe	Bolzen	Pasador Elástico	
8	6193010M1	1	Cast Hook	Crochet	Haken	Gancho	
9	6193018M1	1	Grease Nipple	Nipple De Graissage	Schmiernippel	Engrasador	
10	6193015M1	1	Pin Safety	Axe	Bolzen	Pasador	
11	6193017M1	1	Pin Lynch	Goupille D´Arrêt	Klappstecker	Pasador De Parada	
12	6193014M1	1	Pin Ram/Hook	Axe	Bolzen	Pasador	
13	6193019M1	1	Grub Screw	Vis Sans Tête	Gewindestift	Tornillo	
14	6193011M91	1	Cylinder Assy.	Vérin Ass.	Zylinder Kplt	Gato, Conj.	
15	6193577M91	1	Check Valve	Clapet Anti-Retour	Ventil, Rückschlag-	Válvula De Parada	
16	6193578M91	1	Kit Seal-Check Valve	Jeu Étanchéité	Dichtringsatz	Juego De Juntas	
17	6193576M91	1	Kit Seal	Jeu Étanchéité	Dichtringsatz	Juego De Juntas	
18	358741X91	1	Union, Hydr.	Raccord	Verschraubung	Racor	
19	#UNION	1	Union	Union	Union	Union	Ref. 18
20	831495M1	1	O-Ring	Joint Torique	O-Ring	Junta De Tipo O	
21	6106088M91	1	Connector, Hydraulic	Borne	Doppelnippel	Conector	
22	#UNION	1	Union	Union	Union	Union	Ref. 21
23	#O-RING	1	O-Ring	Joint Torique	O-Ring	Junta Tórica	



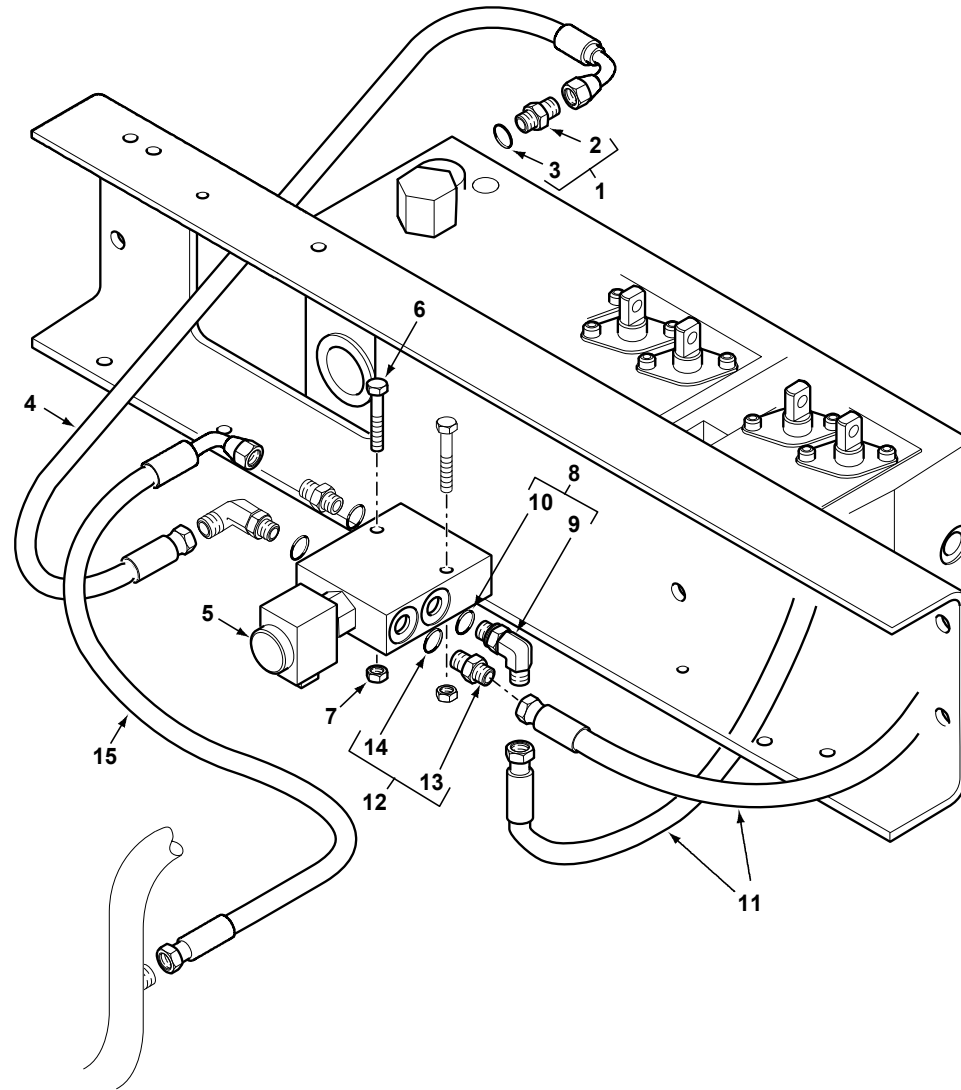
C-90007-01.1-B



Item	Part No.	Qty.	English	French	German	Spanish	Remarks
1	6108811M92	1	Miller Quick Attach Assy. ( Digger ) [Not For Sale In Uk]	Ensem. D&Attel. Rapi	Schnellkupplung Kpl	Egan. Rápido, Conj.	90007c04.1 1
2	3516519M94	2	Pin & Plate 45-322,5	Axe	Bolzen	Pasador	
3	3501790M1	2	Washer M46-65-5 Z	Rondelle	Scheibe	Arandela	
4	3516522M91	2	Pin Safety Linch	Goupille D´Arrêt	Klappstecker	Pasador De Parada	
5	6102923M91	2	Hose - Digger Q/Attach., Miller	Flexible	Schlauch Kpl	Flexible, Conj.	
6	356612X1	2	Nut 7/16" Unf	Ecrou Unf	Mutter 7/16" Unf	Tuerca	
7	371089X1	2	Elbow 45 Deg	Coude, 45	Kniestück, 45°	Codo, 45°	
8	6102922M92	2	Hose-Miller Q/Attach Hyd.	Ensemble Durit	Schlauch Kpl	Flexible, Conj.	
9	356612X1	2	Nut 7/16" Unf	Ecrou Unf	Mutter 7/16" Unf	Tuerca	
10	3521945M95	1	Hose Assy. - Digger Quick Attach	Flexible Ass.	Schlauch Kpl	Flexible, Conj.	Yellow
10	6111272M91	1	Hose Assembly - Q/Attach Boom	Ensemble Durit	Schlauch Kpl	Flexible, Conj.	Black
11	#HOSE ASSY	2	Hose Assy	Hose Assy	Hose Assy	Hose Assy	90007c02.1 11
12	3517732M1	1	Clip, Hose	Collier Durit	Schlauchschelle	Argolla De Fijación	
13	D142787	1	Saddle (See 142787d)	Selle	Sattel	Bloque De Caucho	
14	1664405M1	6	Tie Mm T50s	Attache Cable	Kabelbinder	Enlace De Cable	
15	3517731M1	1	Clamp-Hose	Bride Pour Tutaux	Schlauchschelle	Argolla De Fijación	
16	D142787	1	Saddle (See 142787d)	Selle	Sattel	Bloque De Caucho	
17	6101777M91	1	Cover Assy. - Switch Operating	Cache	Abdeckung	Tapa	
18	6102490M1	1	Relay-Micro	Relais	Relais	Relé	
19	1440329X1	2	Nut, Hex. - Nyloc, M10	Ecrou Blocage	Flachmutter M10	Tuerca De Retención	
20	390597X1	2	Washer, Large - M10	Rondelle	Scheible	Arandela	
21	3009492X1	2	Bolt - Hex. M10 X 25	Boulon M10 X 25	Schraube M10 X 25	Tornillo	
22	6112498M1	1	Bracket	Support Fixation	Haltearm	Pata De Fijación	



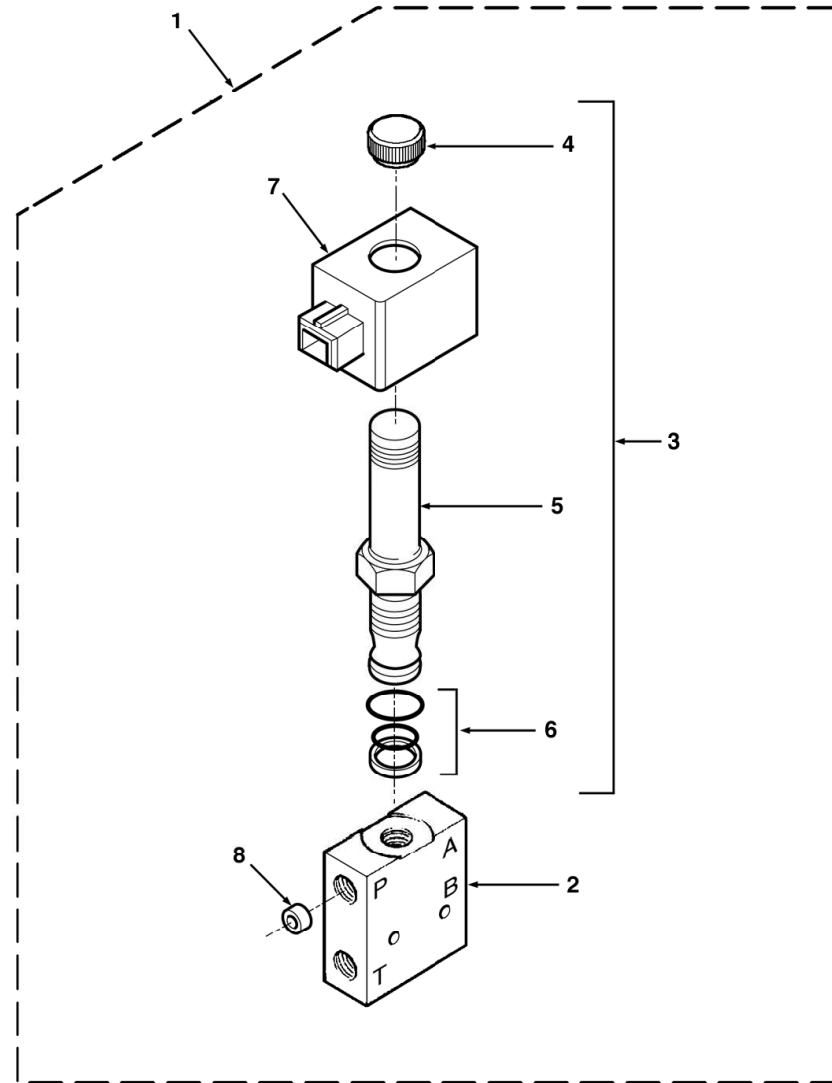
C-90007-02.1-A



Item	Part No.	Qty.	English	French	German	Spanish	Remarks
1	365830X91	1	Connector	Adaptateur	Reduziernippel	Unión	
2	#UNION	1	Union	Union	Union	Union	Ref. 1
3	#O-RING	1	O-Ring	Joint Torique	O-Ring	Junta Tórica	
4	6109910M91	1	Hose Assy - Q/A Feed	Flexible Ass.	Schlauch Kpl	Flexible, Conj.	
5	6106011M91	1	Valve-Digger Quick Attach.	Électrovalve	Magnetventil	Electroválvula	98007c03.1
6	391244X1	2	Bolt M6-45 Z5s	Goupille	Bolzen - M6 X 45	Perno	
7	1441500X1	2	Nut M6 Z5 Nyloc	Ecrou	Flachmutter M6	Tuerca De Retención	
8	370807X91	2	Elbow 90 7/16jic9/16or	Coude, 90	Kniestück, 90°	Codo, 90°	
9	#ELBOW	1	Elbow	Elbow	Elbow	Elbow	Ref. 8
10	831452M1	1	O Ring (Pack Of 10)	Joint Torique	O Ring	Junta De Tipo O	
11	3519882M92	2	Hose-(Cm Kit) Q/Attach	Flexible	Schlauch	Flexible, Conj.	
12	365065X91	2	Connector 7/16x9/16	Borne	Doppelnippel	Unión	
13	#UNION	1	Union	Union	Union	Union	Ref. 12
14	831452M1	1	O Ring (Pack Of 10)	Joint Torique	O Ring	Junta De Tipo O	
15	3519226M91	1	Hose Assy	Flexible Ass.	Schlauch Kpl	Flexible, Conj.	

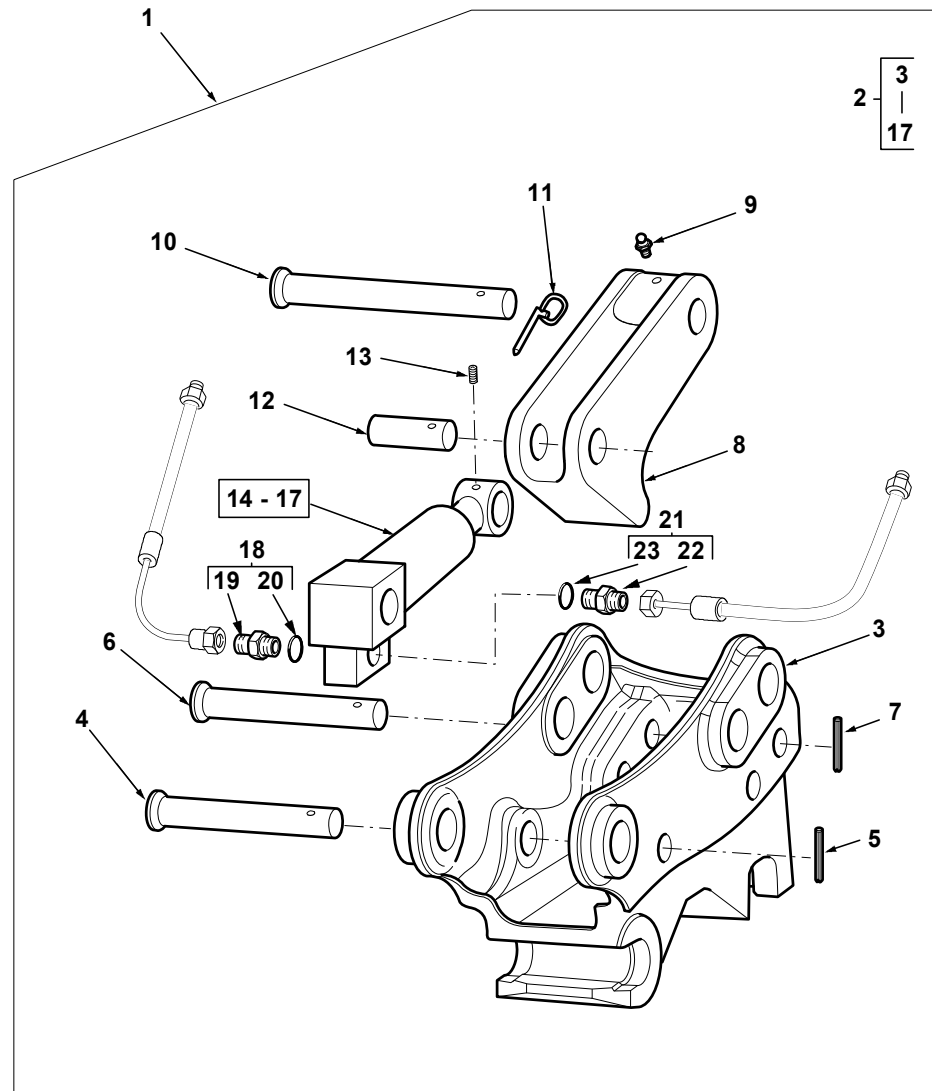


C-90007-03.1-A



Item	Part No.	Qty.	English	French	German	Spanish	Remarks
1	6106011M91	1	Valve-Digger Quick Attach.	Électrovalve	Magnetventil	Electroválvula	90007c02.1 5
2	#BODY	1	Body	Body	Body	Body	Ref. 1
3	6193020M91	1	Cartridge Assy	Cartouche Ass.	Einsatz Kplt	Solenóide, Conj.	
4	#NUT	1	Nut	Ecrou	Mutter	Tuerca	Ref. 3
5	#CARTRIDGE	1	Cartridge	Cartridge	Cartridge	Cartridge	Ref. 3
6	6193022M91	1	Kit Seal	Jeu Étanchéité	Dichtringsatz	Juego De Juntas	
7	6191096M91	1	Coil Assy.	Bobine	Wicklung, Spule	Bobina	
8	6193021M1	1	Restrictor	Réduction	Reduzierstück	Reducción	

C-90007-04.1-A

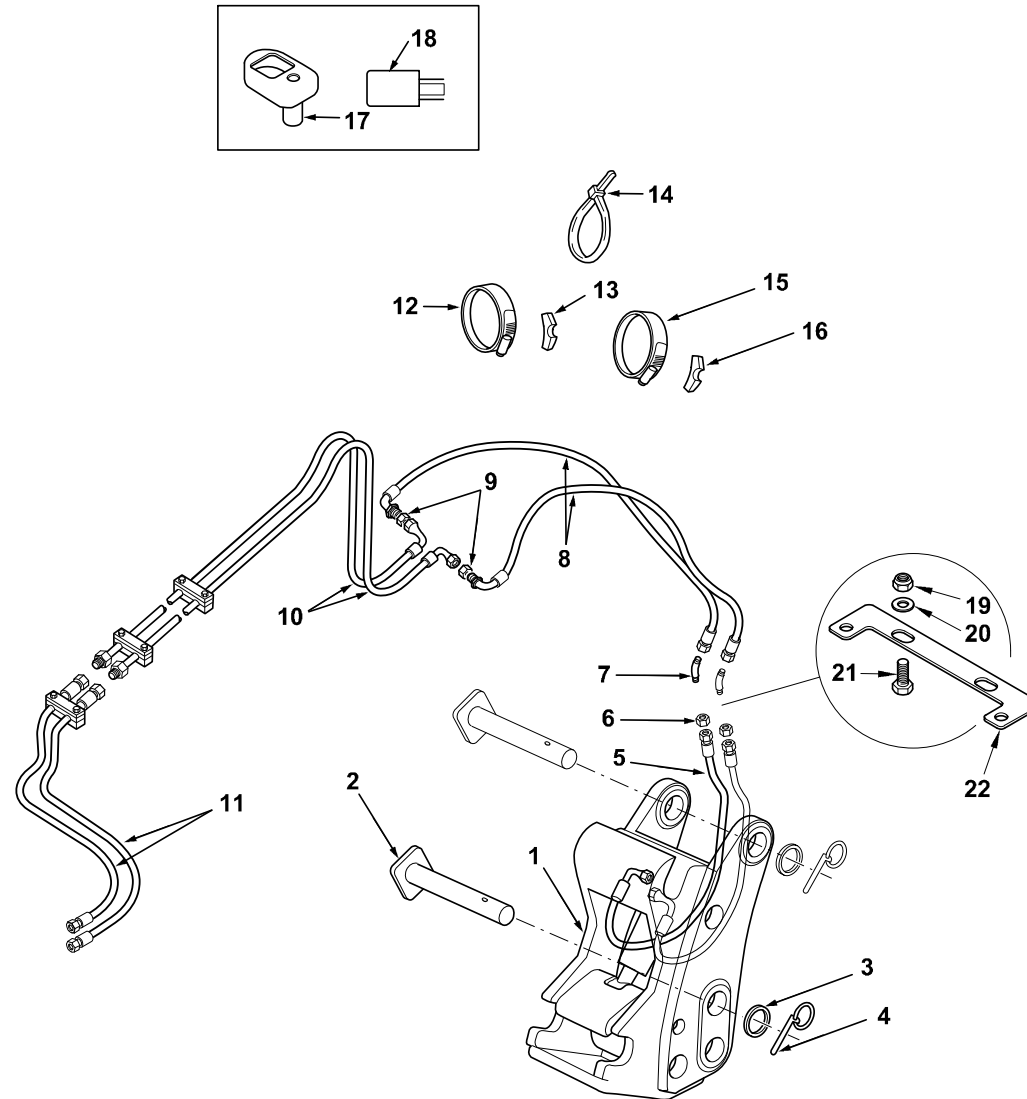




Item	Part No.	Qty.	English	French	German	Spanish	Remarks
1	6108811M92	1	Miller Quick Attach Assy. ( Digger ) [Not For Sale In Uk]	Ensem. D&Attel. Rapi	Schnellkupplung Kpl	Engan. Rápido, Conj.	
2	6102976M91	1	Quick Attach Assy. - Dig. Bucket, Miller	Ensem. D&Attel. Rapi	Schnellkupplung Kpl	Engan. Rápido, Conj.	
3	6193009M1	1	Cast Body	Corps	Körper	Cuerpo	
4	6193013M1	1	Pin Cylinder	Axe	Bolzen	Pasador	
5	6193016M1	1	Pin Large	Axe	Bolzen	Pasador Elástico	
6	6193012M1	1	Pin Hook	Axe	Bolzen	Pasador	
7	6193016M1	1	Pin Large	Axe	Bolzen	Pasador Elástico	
8	6193010M1	1	Cast Hook	Crochet	Haken	Gancho	
9	6193018M1	1	Grease Nipple	Nipple De Graissage	Schmiernippel	Engrasador	
10	6193015M1	1	Pin Safety	Axe	Bolzen	Pasador	
11	6193017M1	1	Pin Lynch	Goupille D´Arrêt	Klappstecker	Pasador De Parada	
12	6193014M1	1	Pin Ram/Hook	Axe	Bolzen	Pasador	
13	6193019M1	1	Grub Screw	Vis Sans Tête	Gewindestift	Tornillo	
14	6193011M91	1	Cylinder Assy.	Vérin Ass.	Zylinder Kplt	Gato, Conj.	
15	6193577M91	1	Check Valve	Clapet Anti-Retour	Ventil, Rückschlag-	Válvula De Parada	
16	6193578M91	1	Kit Seal-Check Valve	Jeu Étanchéité	Dichtringsatz	Juego De Juntas	
17	6193576M91	1	Kit Seal	Jeu Étanchéité	Dichtringsatz	Juego De Juntas	
18	358741X91	1	Union, Hydr.	Raccord	Verschraubung	Racor	
19	#UNION	1	Union	Union	Union	Union	Ref. 18
20	831495M1	1	O-Ring	Joint Torique	O-Ring	Junta De Tipo O	
21	6106088M91	1	Connector, Hydraulic	Borne	Doppelnippel	Conector	
22	#UNION	1	Union	Union	Union	Union	Ref. 21
23	#O-RING	1	O-Ring	Joint Torique	O-Ring	Junta Tórica	



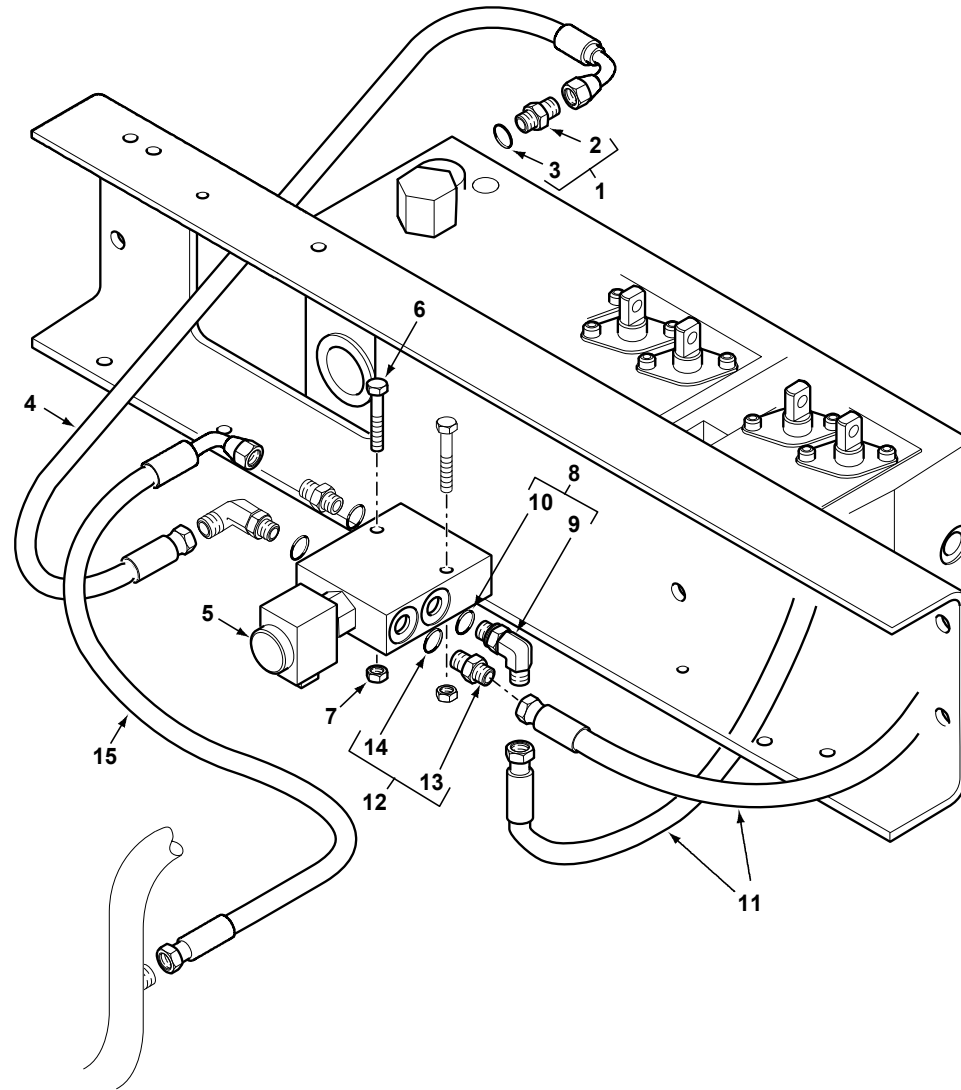
C-90008-01.1-B



Item	Part No.	Qty.	English	French	German	Spanish	Remarks
1	6108811M92	1	Miller Quick Attach Assy. ( Digger ) [Not For Sale In Uk]	Ensem. D&Attel. Rapi	Schnellkupplung Kpl	Egan. Rápido, Conj.	90008c04.1 1
2	3516519M94	2	Pin & Plate 45-322,5	Axe	Bolzen	Pasador	
3	3501790M1	2	Washer M46-65-5 Z	Rondelle	Scheibe	Arandela	
4	3516522M91	2	Pin Safety Linch	Goupille D´Arrêt	Klappstecker	Pasador De Parada	
5	6102923M91	2	Hose - Digger Q/Attach., Miller	Flexible	Schlauch Kpl	Flexible, Conj.	
6	356612X1	2	Nut 7/16" Unf	Ecrou Unf	Mutter 7/16" Unf	Tuerca	
7	371089X1	2	Elbow 45 Deg	Coude, 45	Kniestück, 45°	Codo, 45°	
8	6102922M92	2	Hose-Miller Q/Attach Hyd.	Ensemble Durit	Schlauch Kpl	Flexible, Conj.	
9	356612X1	2	Nut 7/16" Unf	Ecrou Unf	Mutter 7/16" Unf	Tuerca	
10	3518145M91	2	Hose Assy	Flexible	Schlauch Kpl	Flexible, Conj.	
11	#HOSE ASSY	2	Hose Assy	Hose Assy	Hose Assy	Hose Assy	90008c02.1 11
12	3517732M1	1	Clip, Hose	Collier Durit	Schlauchschelle	Argolla De Fijación	
13	D142787	1	Saddle (See 142787d)	Selle	Sattel	Bloque De Caucho	
14	1664405M1	6	Tie Mm T50s	Attache Cable	Kabelbinder	Enlace De Cable	
15	3517731M1	1	Clamp-Hose	Bride Pour Tutaux	Schlauchschelle	Argolla De Fijación	
16	D142787	1	Saddle (See 142787d)	Selle	Sattel	Bloque De Caucho	
17	6101777M91	1	Cover Assy. - Switch Operating	Cache	Abdeckung	Tapa	
18	6102490M1	1	Relay-Micro	Relais	Relais	Relé	
19	1440329X1	2	Nut, Hex. - Nyloc, M10	Ecrou Blocage	Flachmutter M10	Tuerca De Retención	
20	390597X1	2	Washer, Large - M10	Rondelle	Scheible	Arandela	
21	3009492X1	2	Bolt - Hex. M10 X 25	Boulon M10 X 25	Schraube M10 X 25	Tornillo	
22	6112498M1	1	Bracket	Support Fixation	Haltearm	Pata De Fijación	



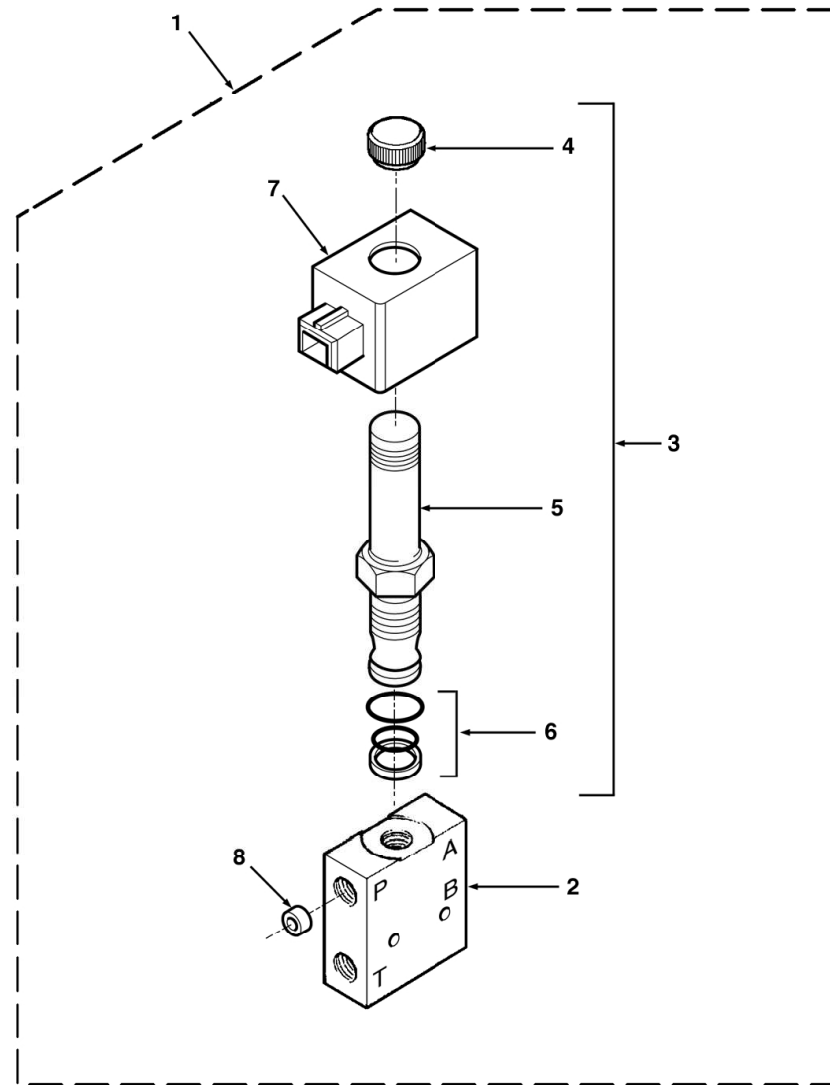
C-90008-02.1-A



Item	Part No.	Qty.	English	French	German	Spanish	Remarks
1	365830X91	1	Connector	Adaptateur	Reduziernippel	Unión	
2	#UNION	1	Union	Union	Union	Unión	Ref. 1
3	#O-RING	1	O-Ring	Joint Torique	O-Ring	Junta Tórica	
4	6109910M91	1	Hose Assy - Q/A Feed	Flexible Ass.	Schlauch Kpl	Flexible, Conj.	
5	6106011M91	1	Valve-Digger Quick Attach.	Électrovalve	Magnetventil	Electroválvula	98008c03.1
6	391244X1	2	Bolt M6-45 Z5s	Goupille	Bolzen - M6 X 45	Perno	
7	1441500X1	2	Nut M6 Z5 Nyloc	Ecrou	Flachmutter M6	Tuerca De Retención	
8	370807X91	2	Elbow 90 7/16jic9/16or	Coude, 90	Kniestück, 90°	Codo, 90°	
9	#ELBOW	1	Elbow	Elbow	Elbow	Elbow	Ref. 8
10	831452M1	1	O Ring (Pack Of 10)	Joint Torique	O Ring	Junta De Tipo O	
11	3519882M92	2	Hose-(Cm Kit) Q/Attach	Flexible	Schlauch	Flexible, Conj.	
12	365065X91	2	Connector 7/16x9/16	Borne	Doppelnippel	Unión	
13	#UNION	1	Union	Union	Union	Unión	Ref. 12
14	831452M1	1	O Ring (Pack Of 10)	Joint Torique	O Ring	Junta De Tipo O	
15	3519226M91	1	Hose Assy	Flexible Ass.	Schlauch Kpl	Flexible, Conj.	



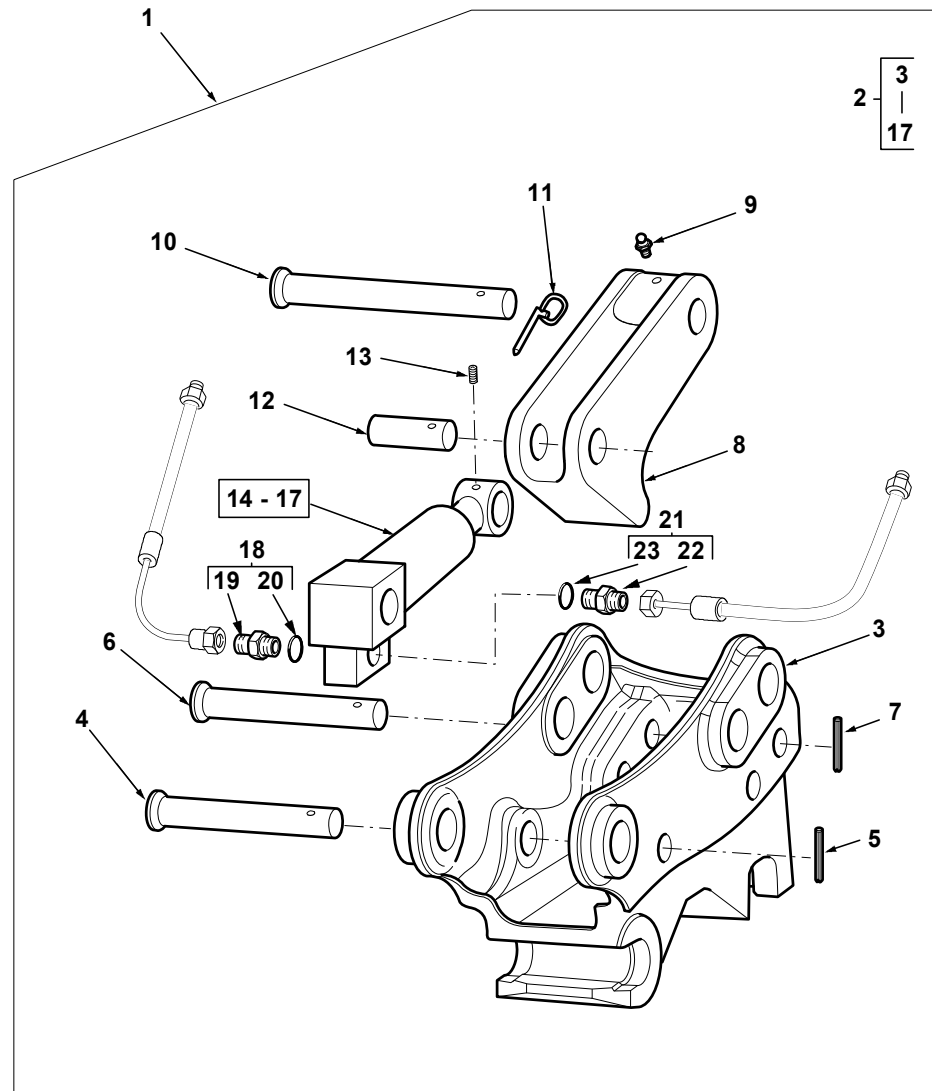
C-90008-03.1-A



Item	Part No.	Qty.	English	French	German	Spanish	Remarks
1	6106011M91	1	Valve-Digger Quick Attach.	Électrovalve	Magnetventil	Electroválvula	90008c02.1 5
2	#BODY	1	Body	Body	Body	Body	Ref. 1
3	6193020M91	1	Cartridge Assy	Cartouche Ass.	Einsatz Kplt	Solenoido, Conj.	
4	#NUT	1	Nut	Ecrou	Mutter	Tuerca	Ref. 3
5	#CARTRIDGE	1	Cartridge	Cartridge	Cartridge	Cartridge	Ref. 3
6	6193022M91	1	Kit Seal	Jeu Étanchéité	Dichtringsatz	Juego De Juntas	
7	6191096M91	1	Coil Assy.	Bobine	Wicklung, Spule	Bobina	
8	6193021M1	1	Restrictor	Réduction	Reduzierstück	Reducción	



C-90008-04.1-A

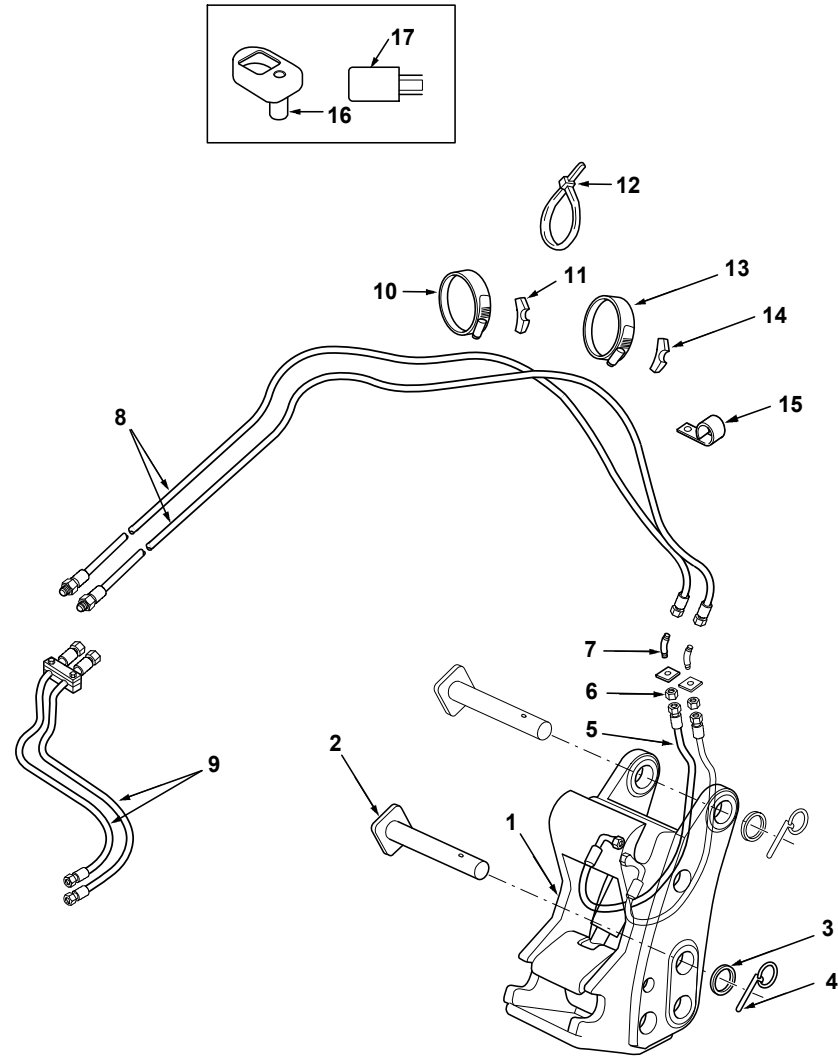




Item	Part No.	Qty.	English	French	German	Spanish	Remarks
1	6108811M92	1	Miller Quick Attach Assy. ( Digger ) [Not For Sale In Uk]	Ensem. D¿Attel. Rapi	Schnellkupplung Kpl	Engan. Rápido, Conj.	
2	6102976M91	1	Quick Attach Assy. - Dig. Bucket, Miller	Ensem. D¿Attel. Rapi	Schnellkupplung Kpl	Engan. Rápido, Conj.	
3	6193009M1	1	Cast Body	Corps	Körper	Cuerpo	
4	6193013M1	1	Pin Cylinder	Axe	Bolzen	Pasador	
5	6193016M1	1	Pin Large	Axe	Bolzen	Pasador Elástico	
6	6193012M1	1	Pin Hook	Axe	Bolzen	Pasador	
7	6193016M1	1	Pin Large	Axe	Bolzen	Pasador Elástico	
8	6193010M1	1	Cast Hook	Crochet	Haken	Gancho	
9	6193018M1	1	Grease Nipple	Nipple De Graissage	Schmiernippel	Engrasador	
10	6193015M1	1	Pin Safety	Axe	Bolzen	Pasador	
11	6193017M1	1	Pin Lynch	Goupille D´Arrêt	Klappstecker	Pasador De Parada	
12	6193014M1	1	Pin Ram/Hook	Axe	Bolzen	Pasador	
13	6193019M1	1	Grub Screw	Vis Sans Tête	Gewindestift	Tornillo	
14	6193011M91	1	Cylinder Assy.	Vérin Ass.	Zylinder Kplt	Gato, Conj.	
15	6193577M91	1	Check Valve	Clapet Anti-Retour	Ventil, Rückschlag-	Válvula De Parada	
16	6193578M91	1	Kit Seal-Check Valve	Jeu Étanchéité	Dichtringsatz	Juego De Juntas	
17	6193576M91	1	Kit Seal	Jeu Étanchéité	Dichtringsatz	Juego De Juntas	
18	358741X91	1	Union, Hydr.	Raccord	Verschraubung	Racor	
19	#UNION	1	Union	Union	Union	Union	Ref. 18
20	831495M1	1	O-Ring	Joint Torique	O-Ring	Junta De Tipo O	
21	6106088M91	1	Connector, Hydraulic	Borne	Doppelnippel	Conector	
22	#UNION	1	Union	Union	Union	Union	Ref. 21
23	#O-RING	1	O-Ring	Joint Torique	O-Ring	Junta Tórica	



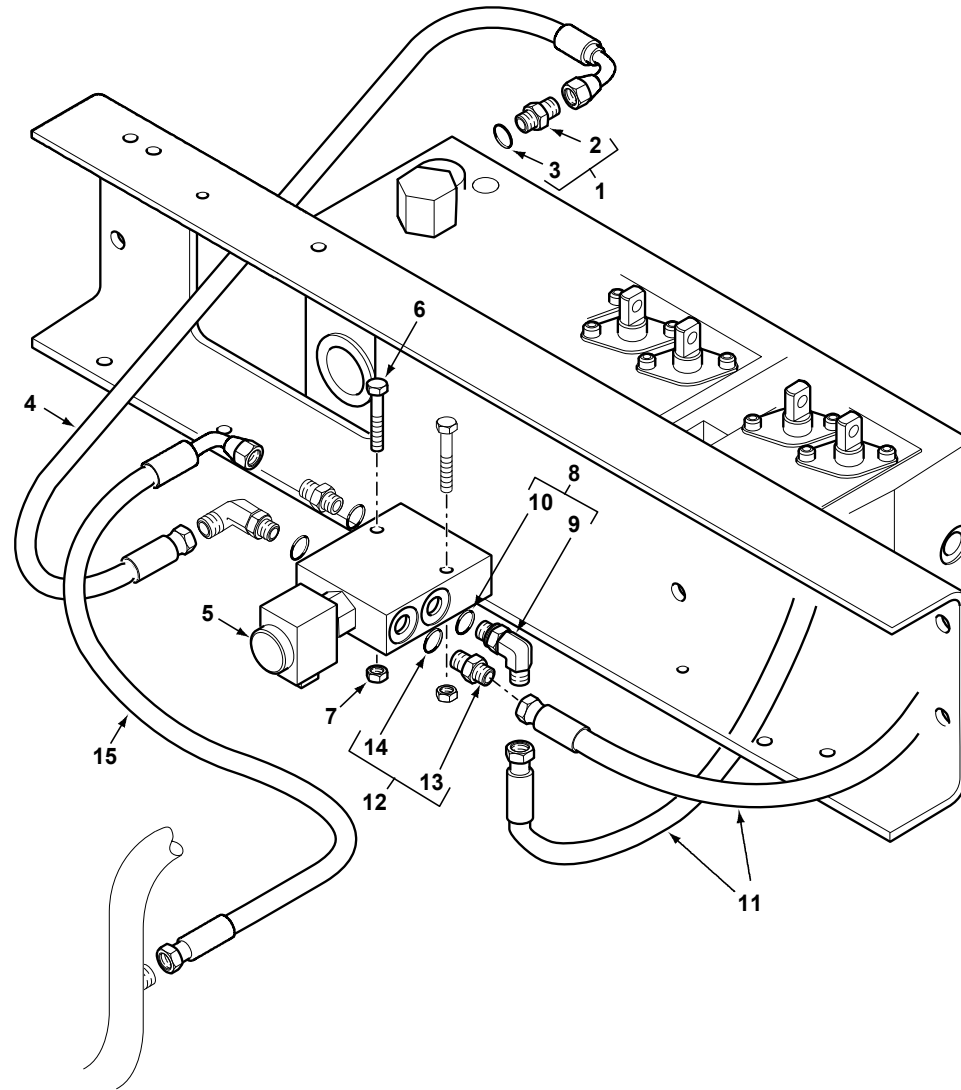
C-90011-01.1-A



Item	Part No.	Qty.	English	French	German	Spanish	Remarks
1	6110613M91	1	Miller Quick Attach - Jcb	Accouplement Rapide	Schnellkupplung Kpl.	Engan. Rápido, Conj.	
2	3516519M94	2	Pin & Plate 45-322,5	Axe	Bolzen	Pasador	
3	3501790M1	2	Washer M46-65-5 Z	Rondelle	Scheibe	Arandela	
4	3516522M91	2	Pin Safety Linch	Goupille D´Arrêt	Klappstecker	Pasador De Parada	
5	6102923M91	2	Hose - Digger Q/Attach., Miller	Flexible	Schlauch Kpl	Flexible, Conj.	
6	356612X1	2	Nut 7/16" Unf	Ecrou Unf	Mutter 7/16" Unf	Tuerca	
7	371089X1	2	Elbow 45 Deg	Coude, 45	Kniestück, 45°	Codo, 45°	
8	6106086M91	2	Hose-Miller Q/Attach Hyd.	Flexible Ass.	Schlauch Kpl	Flexible, Conj.	
9	#HOSE ASSY	2	Hose Assy	Hose Assy	Hose Assy	Hose Assy	90011c02.1 11
10	3517732M1	1	Clip, Hose	Collier Durit	Schlauchschelle	Argolla De Fijación	
11	D142787	1	Saddle (See 142787d)	Selle	Sattel	Bloque De Caucho	
12	1664405M1	6	Tie Mm T50s	Attache Cable	Kabelbinder	Enlace De Cable	
13	3517731M1	1	Clamp-Hose	Bride Pour Tutaux	Schlauchschelle	Argolla De Fijación	
14	D142787	1	Saddle (See 142787d)	Selle	Sattel	Bloque De Caucho	
15	515-22127	4	Clip-Coated P	Collier De Fixation	Befestigungsschelle	Argolla De Fijación	
16	6101777M91	1	Cover Assy. - Switch Operating	Cache	Abdeckung	Tapa	
17	6102490M1	1	Relay-Micro	Relais	Relais	Relé	

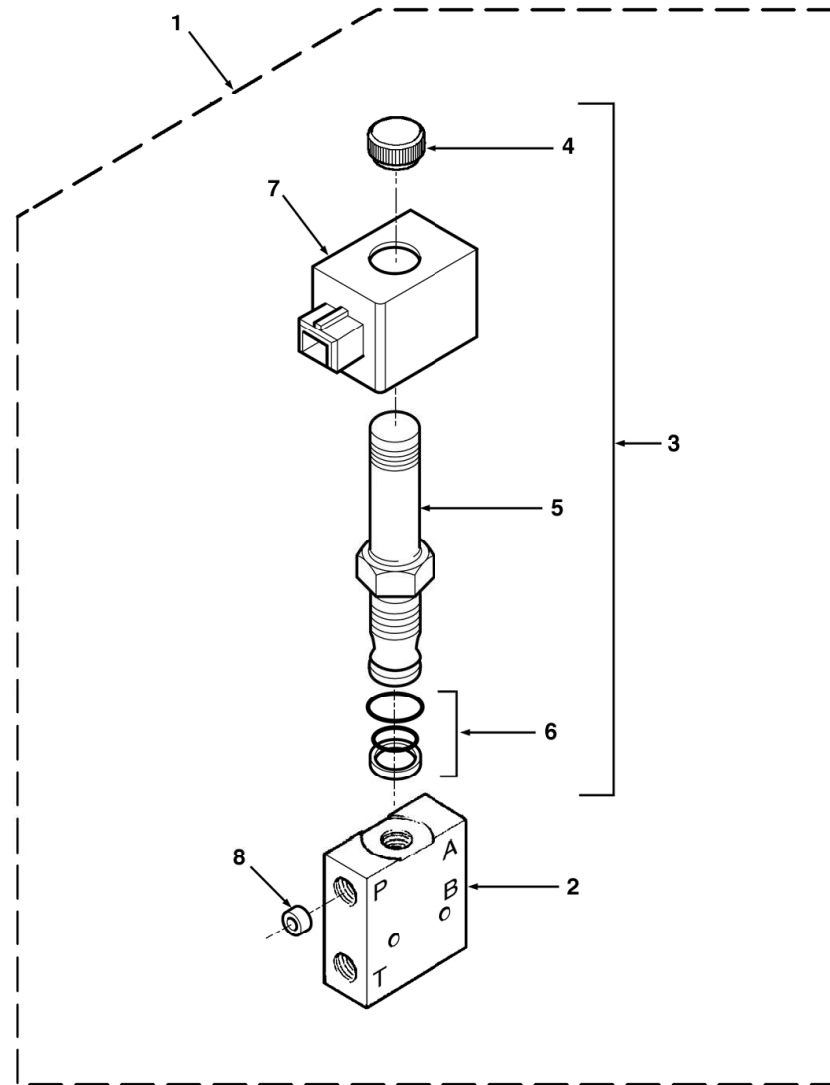


C-90011-02.1-A



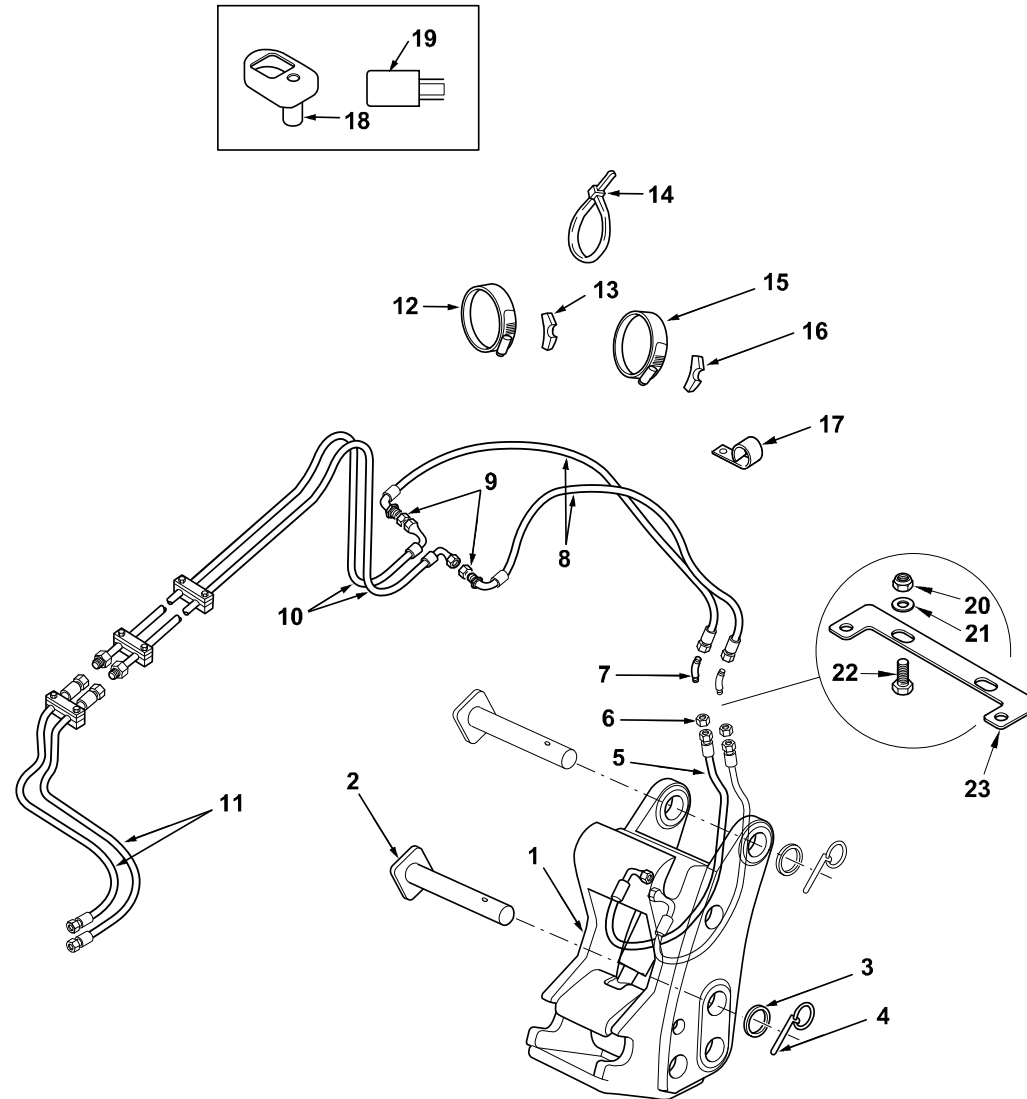
Item	Part No.	Qty.	English	French	German	Spanish	Remarks
1	365830X91	1	Connector	Adaptateur	Reduziernippel	Unión	
2	#UNION	1	Union	Union	Union	Union	Ref. 1
3	#O-RING	1	O-Ring	Joint Torique	O-Ring	Junta Tórica	
4	6109910M91	1	Hose Assy - Q/A Feed	Flexible Ass.	Schlauch Kpl	Flexible, Conj.	
5	6106011M91	1	Valve-Digger Quick Attach.	Électrovalve	Magnetventil	Electroválvula	98011c03.1
6	391244X1	2	Bolt M6-45 Z5s	Goupille	Bolzen - M6 X 45	Perno	
7	1441500X1	2	Nut M6 Z5 Nyloc	Ecrou	Flachmutter M6	Tuerca De Retención	
8	370807X91	2	Elbow 90 7/16jic9/16or	Coude, 90	Kniestück, 90°	Codo, 90°	
9	#ELBOW	1	Elbow	Elbow	Elbow	Elbow	Ref. 8
10	831452M1	1	O Ring (Pack Of 10)	Joint Torique	O Ring	Junta De Tipo O	
11	6102806M91	1	Hose-Quick Attach	Flexible Ass.	Schlauch Kpl	Flexible, Conj.	Yellow
11	6111273M91	1	Hose Assembly - Q/Attach	Ensemble Durit	Schlauch Kpl	Flexible, Conj.	
12	365065X91	2	Connector 7/16x9/16	Borne	Doppelnippel	Unión	
13	#UNION	1	Union	Union	Union	Union	Ref. 12
14	831452M1	1	O Ring (Pack Of 10)	Joint Torique	O Ring	Junta De Tipo O	
15	3519226M91	1	Hose Assy	Flexible Ass.	Schlauch Kpl	Flexible, Conj.	

C-90011-03.1-A



Item	Part No.	Qty.	English	French	German	Spanish	Remarks
1	6106011M91	1	Valve-Digger Quick Attach.	Électrovalve	Magnetventil	Electroválvula	90011c02.1 5
2	#BODY	1	Body	Body	Body	Body	Ref. 1
3	6193020M91	1	Cartridge Assy	Cartouche Ass.	Einsatz Kplt	Solenoido, Conj.	
4	#NUT	1	Nut	Ecrou	Mutter	Tuerca	Ref. 3
5	#CARTRIDGE	1	Cartridge	Cartridge	Cartridge	Cartridge	Ref. 3
6	6193022M91	1	Kit Seal	Jeu Étanchéité	Dichtringsatz	Juego De Juntas	
7	6191096M91	1	Coil Assy.	Bobine	Wicklung, Spule	Bobina	
8	6193021M1	1	Restrictor	Réduction	Reduzierstück	Reducción	

C-90012-01.1-B

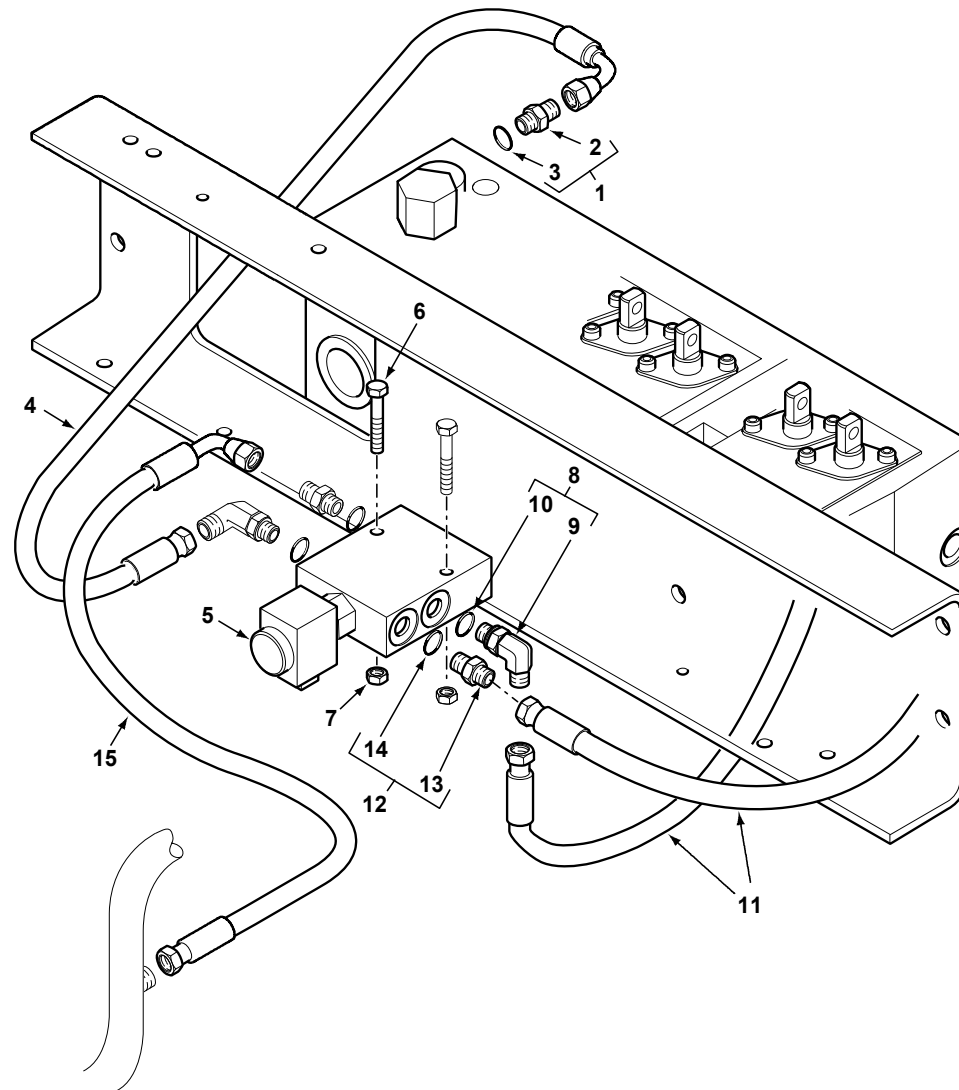




Item	Part No.	Qty.	English	French	German	Spanish	Remarks
1	6110613M91	1	Miller Quick Attach - Jcb	Accouplement Rapide	Schnellkupplung Kpl.	Engan. Rápido, Conj.	
2	3516519M94	2	Pin & Plate 45-322,5	Axe	Bolzen	Pasador	
3	3501790M1	2	Washer M46-65-5 Z	Rondelle	Scheibe	Arandela	
4	3516522M91	2	Pin Safety Linch	Goupille D'Arrêt	Klappstecker	Pasador De Parada	
5	6102923M91	2	Hose - Digger Q/Attach., Miller	Flexible	Schlauch Kpl	Flexible, Conj.	
6	356612X1	2	Nut 7/16" Unf	Ecrou Unf	Mutter 7/16" Unf	Tuerca	
7	371089X1	2	Elbow 45 Deg	Coude, 45	Kniestück, 45°	Codo, 45°	
8	6102922M92	2	Hose-Miller Q/Attach Hyd.	Ensemble Durit	Schlauch Kpl	Flexible, Conj.	
9	356612X1	2	Nut 7/16" Unf	Ecrou Unf	Mutter 7/16" Unf	Tuerca	
10	3521945M95	1	Hose Assy. - Digger Quick Attach	Flexible Ass.	Schlauch Kpl	Flexible, Conj.	Yellow
10	6111272M91	1	Hose Assembly - Q/Attach Boom	Ensemble Durit	Schlauch Kpl	Flexible, Conj.	Black
11	#HOSE ASSY	2	Hose Assy	Hose Assy	Hose Assy	Hose Assy	90012c02.1 11
12	3517732M1	1	Clip, Hose	Collier Durit	Schlauchschelle	Argolla De Fijación	
13	D142787	1	Saddle (See 142787d)	Selle	Sattel	Bloque De Caucho	
14	1664405M1	6	Tie Mm T50s	Attache Cable	Kabelbinder	Enlace De Cable	
15	3517731M1	1	Clamp-Hose	Bride Pour Tutaux	Schlauchschelle	Argolla De Fijación	
16	D142787	1	Saddle (See 142787d)	Selle	Sattel	Bloque De Caucho	
17	515-22127	4	Clip-Coated P	Collier De Fixation	Befestigungsschelle	Argolla De Fijación	
18	6101777M91	1	Cover Assy. - Switch Operating	Cache	Abdeckung	Tapa	
19	6102490M1	1	Relay-Micro	Relais	Relais	Relé	
20	1440329X1	2	Nut, Hex. - Nyloc, M10	Ecrou Blocage	Flachmutter M10	Tuerca De Retención	
21	390597X1	2	Washer, Large - M10	Rondelle	Scheible	Arandela	
22	3009492X1	2	Bolt - Hex. M10 X 25	Boulon M10 X 25	Schraube M10 X 25	Tornillo	
23	6112498M1	1	Bracket	Support Fixation	Haltearm	Pata De Fijación	

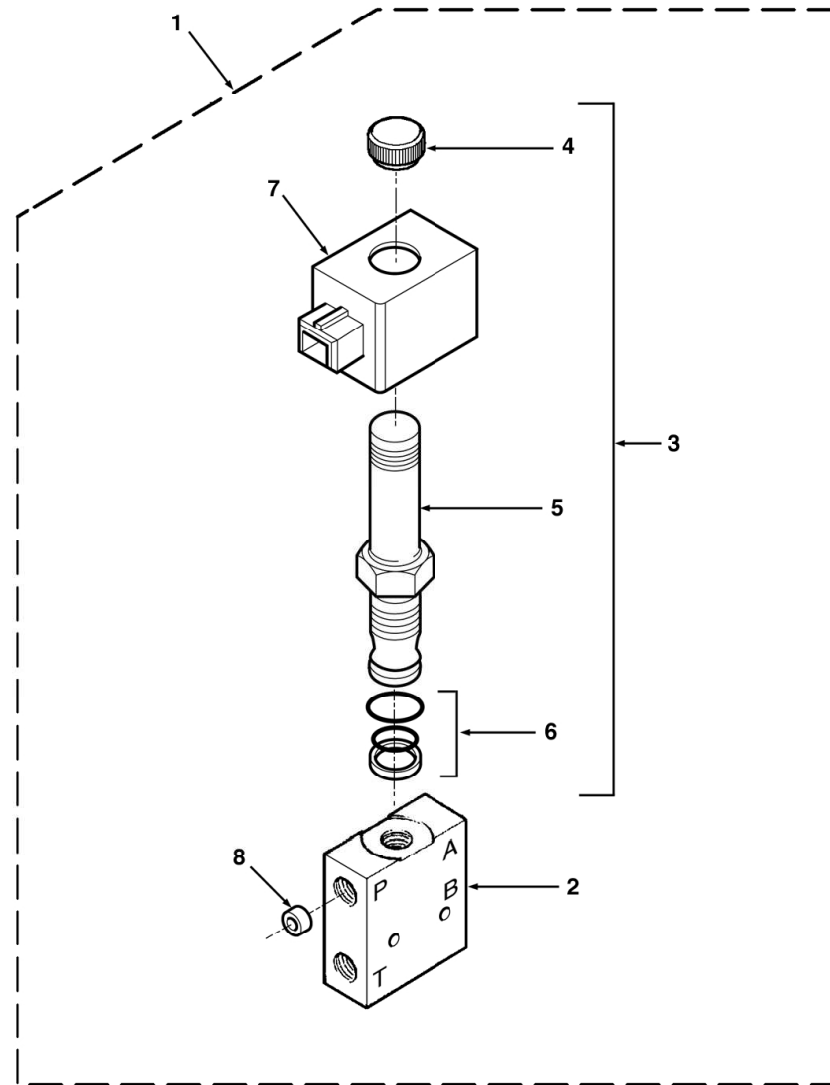


C-90012-02.1-A



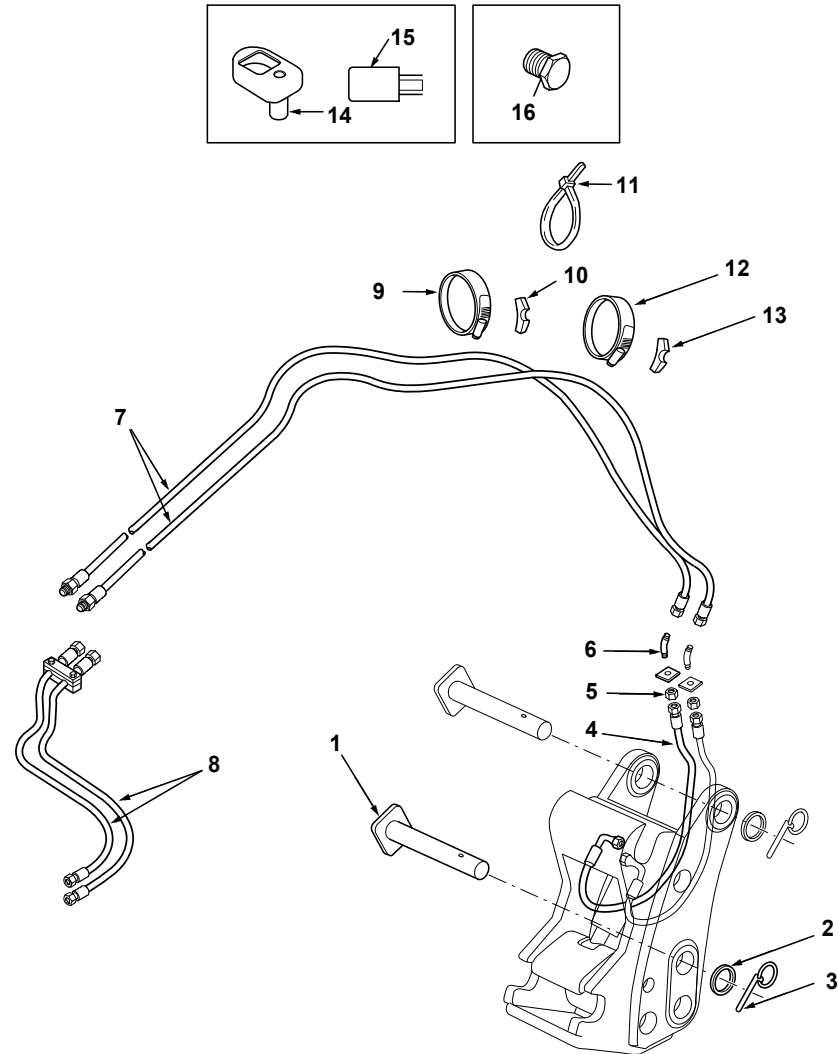
Item	Part No.	Qty.	English	French	German	Spanish	Remarks
1	365830X91	1	Connector	Adaptateur	Reduziernippel	Unión	
2	#UNION	1	Union	Union	Union	Union	Ref. 1
3	#O-RING	1	O-Ring	Joint Torique	O-Ring	Junta Tórica	
4	6109910M91	1	Hose Assy - Q/A Feed	Flexible Ass.	Schlauch Kpl	Flexible, Conj.	
5	6106011M91	1	Valve-Digger Quick Attach.	Électrovalve	Magnetventil	Electroválvula	98012c03.1
6	391244X1	2	Bolt M6-45 Z5s	Goupille	Bolzen - M6 X 45	Perno	
7	1441500X1	2	Nut M6 Z5 Nyloc	Ecrou	Flachmutter M6	Tuerca De Retención	
8	370807X91	2	Elbow 90 7/16jic9/16or	Coude, 90	Kniestück, 90°	Codo, 90°	
9	#ELBOW	1	Elbow	Elbow	Elbow	Elbow	Ref. 8
10	831452M1	1	O Ring (Pack Of 10)	Joint Torique	O Ring	Junta De Tipo O	
11	6102806M91	1	Hose-Quick Attach	Flexible Ass.	Schlauch Kpl	Flexible, Conj.	Yellow
11	6111273M91	1	Hose Assembly - Q/Attach	Ensemble Durit	Schlauch Kpl	Flexible, Conj.	
12	365065X91	2	Connector 7/16x9/16	Borne	Doppelnippel	Unión	
13	#UNION	1	Union	Union	Union	Union	Ref. 12
14	831452M1	1	O Ring (Pack Of 10)	Joint Torique	O Ring	Junta De Tipo O	
15	3519226M91	1	Hose Assy	Flexible Ass.	Schlauch Kpl	Flexible, Conj.	

C-90012-03.1-A



Item	Part No.	Qty.	English	French	German	Spanish	Remarks
1	6106011M91	1	Valve-Digger Quick Attach.	Électrovalve	Magnetventil	Electroválvula	90012c02.1 5
2	#BODY	1	Body	Body	Body	Body	Ref. 1
3	6193020M91	1	Cartridge Assy	Cartouche Ass.	Einsatz Kplt	Solenoido, Conj.	
4	#NUT	1	Nut	Ecrou	Mutter	Tuerca	Ref. 3
5	#CARTRIDGE	1	Cartridge	Cartridge	Cartridge	Cartridge	Ref. 3
6	6193022M91	1	Kit Seal	Jeu Étanchéité	Dichtringsatz	Juego De Juntas	
7	6191096M91	1	Coil Assy.	Bobine	Wicklung, Spule	Bobina	
8	6193021M1	1	Restrictor	Réduction	Reduzierstück	Reducción	

C-90013-01.1-A



Item	Part No.	Qty.	English	French	German	Spanish	Remarks
1	3516519M94	2	Pin & Plate 45-322,5	Axe	Bolzen	Pasador	
2	3501790M1	2	Washer M46-65-5 Z	Rondelle	Scheibe	Arandela	
3	3516522M91	2	Pin Safety Linch	Goupille D´Arrêt	Klappstecker	Pasador De Parada	
4	6102923M91	2	Hose - Digger Q/Attach., Miller	Flexible	Schlauch Kpl	Flexible, Conj.	
5	356612X1	2	Nut 7/16" Unf	Ecrou Unf	Mutter 7/16" Unf	Tuerca	
6	371089X1	2	Elbow 45 Deg	Coude, 45	Kniestück, 45°	Codo, 45°	
7	6106086M91	2	Hose-Miller Q/Attach Hyd.	Flexible Ass.	Schlauch Kpl	Flexible, Conj.	
8	#HOSE ASSY	2	Hose Assy	Hose Assy	Hose Assy	Hose Assy	90013c02.1 11
9	3517732M1	1	Clip, Hose	Collier Durit	Schlauchschelle	Argolla De Fijación	
10	D142787	1	Saddle (See 142787d)	Selle	Sattel	Bloque De Caucho	
11	1664405M1	6	Tie Mm T50s	Attache Cable	Kabelbinder	Enlace De Cable	
12	3517731M1	1	Clamp-Hose	Bride Pour Tutaux	Schlauchschelle	Argolla De Fijación	
13	D142787	1	Saddle (See 142787d)	Selle	Sattel	Bloque De Caucho	
14	6101777M91	1	Cover Assy. - Switch Operating	Cache	Abdeckung	Tapa	
15	6102490M1	1	Relay-Micro	Relais	Relais	Relé	
16	218-772	2	Plug-37deg Flared Tube	Bouchon	Stopfen	Tapón	

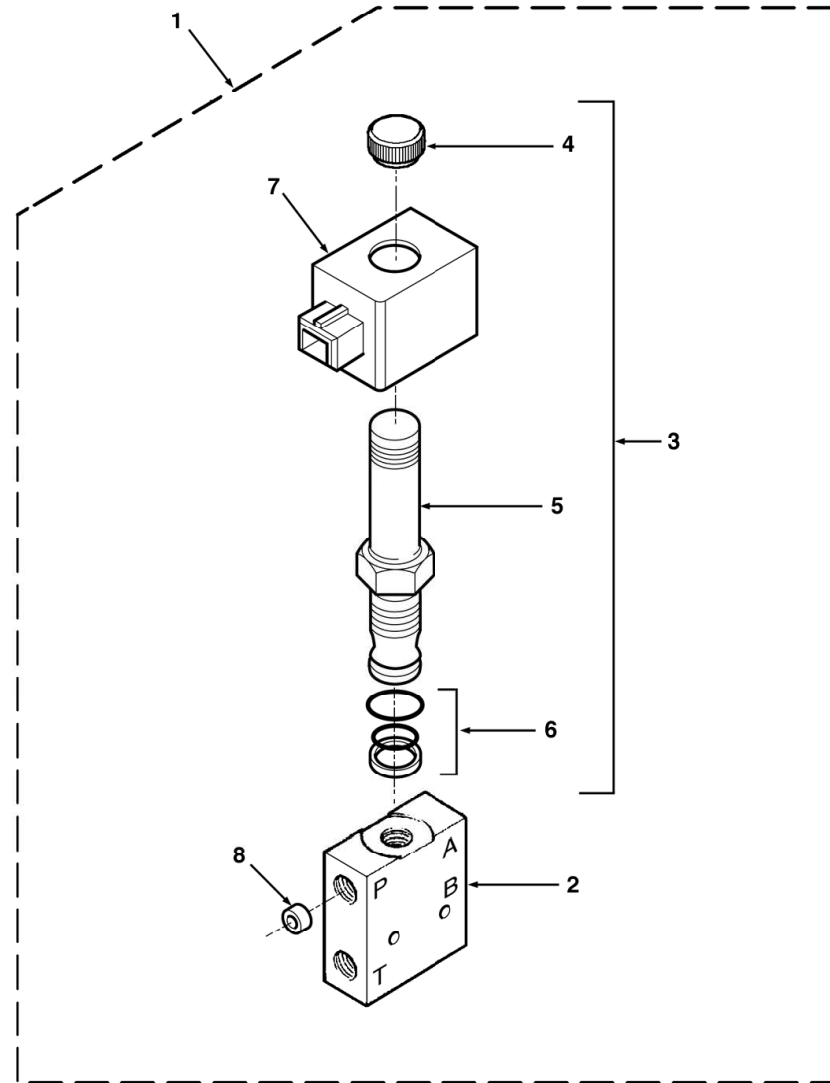






Item	Part No.	Qty.	English	French	German	Spanish	Remarks
1	365830X91	1	Connector	Adaptateur	Reduziernippel	Unión	
2	#UNION	1	Union	Union	Union	Union	Ref. 1
3	#O-RING	1	O-Ring	Joint Torique	O-Ring	Junta Tórica	
4	6109910M91	1	Hose Assy - Q/A Feed	Flexible Ass.	Schlauch Kpl	Flexible, Conj.	
5	6106011M91	1	Valve-Digger Quick Attach.	Électrovalve	Magnetventil	Electroválvula	90013c03.1
6	391244X1	2	Bolt M6-45 Z5s	Goupille	Bolzen - M6 X 45	Perno	
7	1441500X1	2	Nut M6 Z5 Nyloc	Ecrou	Flachmutter M6	Tuerca De Retención	
8	370807X91	2	Elbow 90 7/16jic9/16or	Coude, 90	Kniestück, 90°	Codo, 90°	
9	#ELBOW	1	Elbow	Elbow	Elbow	Elbow	Ref. 8
10	831452M1	1	O Ring (Pack Of 10)	Joint Torique	O Ring	Junta De Tipo O	
11	6102806M91	2	Hose-Quick Attach	Flexible Ass.	Schlauch Kpl	Flexible, Conj.	
12	365065X91	2	Connector 7/16x9/16	Borne	Doppelnippel	Unión	
13	#UNION	1	Union	Union	Union	Union	Ref. 12
14	831452M1	1	O Ring (Pack Of 10)	Joint Torique	O Ring	Junta De Tipo O	
15	3519226M91	1	Hose Assy	Flexible Ass.	Schlauch Kpl	Flexible, Conj.	

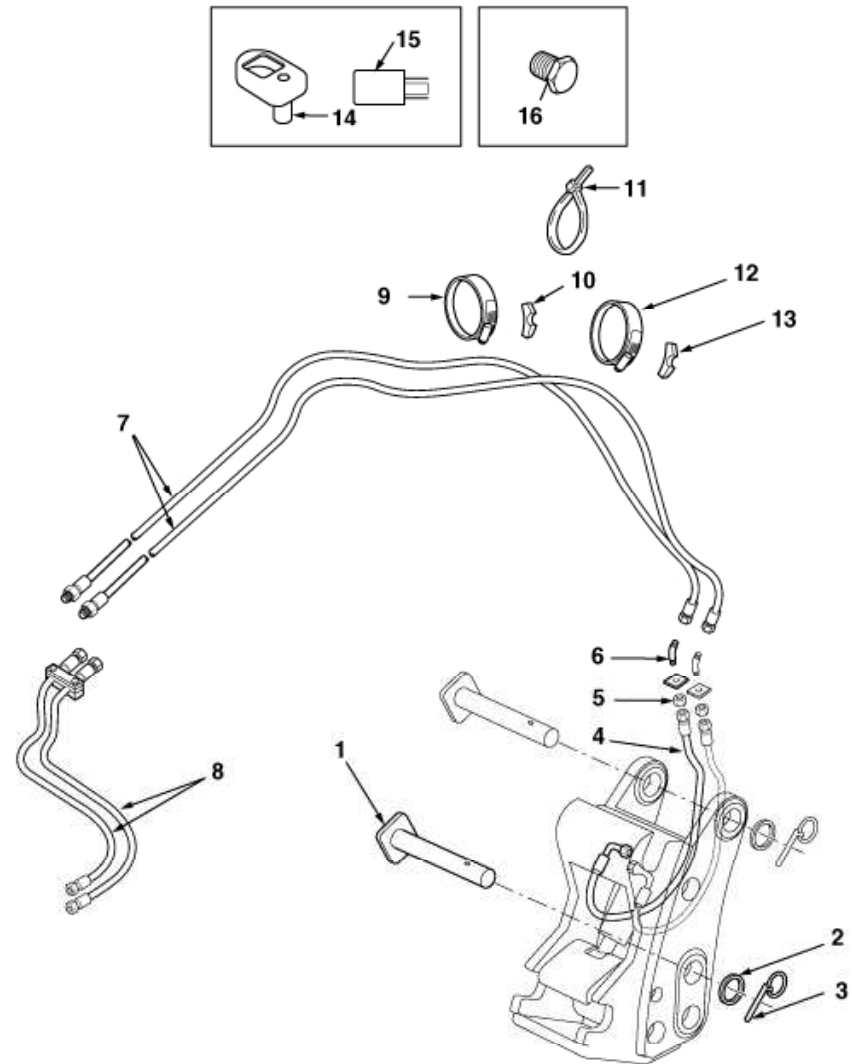
C-90013-03.1-A



Item	Part No.	Qty.	English	French	German	Spanish	Remarks
1	6106011M91	1	Valve-Digger Quick Attach.	Électrovalve	Magnetventil	Electroválvula	90013c02.1 5
2	#BODY	1	Body	Body	Body	Body	Ref. 1
3	6193020M91	1	Cartridge Assy	Cartouche Ass.	Einsatz Kplt	Solenoido, Conj.	
4	#NUT	1	Nut	Ecrou	Mutter	Tuerca	Ref. 3
5	#CARTRIDGE	1	Cartridge	Cartridge	Cartridge	Cartridge	Ref. 3
6	6193022M91	1	Kit Seal	Jeu Étanchéité	Dichtringsatz	Juego De Juntas	
7	6191096M91	1	Coil Assy.	Bobine	Wicklung, Spule	Bobina	
8	6193021M1	1	Restrictor	Réduction	Reduzierstück	Reducción	



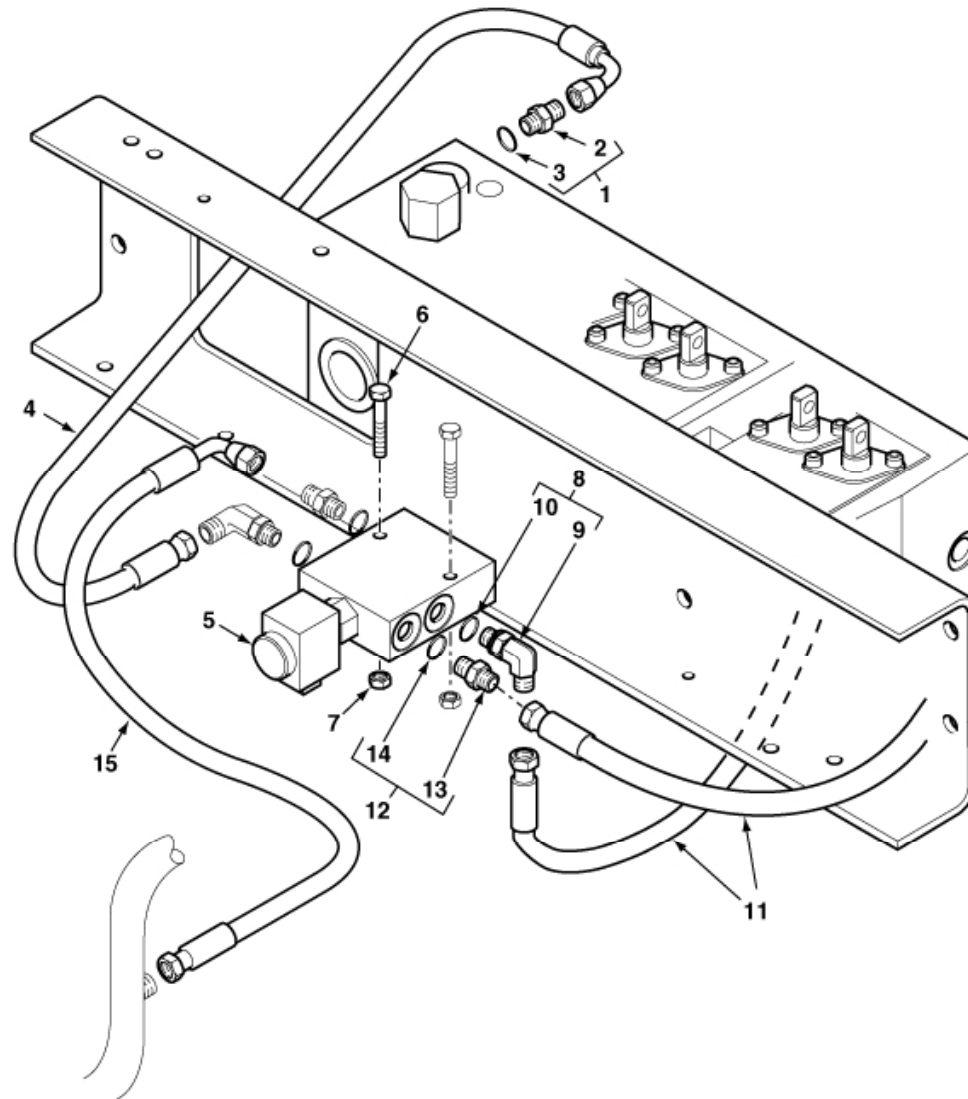
C-90014-01.1-A



Item	Part No.	Qty.	English	French	German	Spanish	Remarks
1	3516519M94	2	Pin & Plate 45-322,5	Axe	Bolzen	Pasador	
2	3501790M1	2	Washer M46-65-5 Z	Rondelle	Scheibe	Arandela	
3	3516522M91	2	Pin Safety Linch	Goupille D´Arrêt	Klappstecker	Pasador De Parada	
4	6102923M91	2	Hose - Digger Q/Attach., Miller	Flexible	Schlauch Kpl	Flexible, Conj.	
5	356612X1	2	Nut 7/16" Unf	Ecrou Unf	Mutter 7/16" Unf	Tuerca	
6	371089X1	2	Elbow 45 Deg	Coude, 45	Kniestück, 45°	Codo, 45°	
7	6106087M91	2	Hose-Miller Q/Attach Hyd.	Flexible	Schlauch Kpl	Flexible, Conj.	
8	#HOSE ASSY	2	Hose Assy	Hose Assy	Hose Assy	Hose Assy	90014c02.1 11
9	3517732M1	1	Clip, Hose	Collier Durit	Schlauchschelle	Argolla De Fijación	
10	D142787	1	Saddle (See 142787d)	Selle	Sattel	Bloque De Caucho	
11	1664405M1	6	Tie Mm T50s	Attache Cable	Kabelbinder	Enlace De Cable	
12	3517731M1	1	Clamp-Hose	Bride Pour Tutaux	Schlauchschelle	Argolla De Fijación	
13	D142787	1	Saddle (See 142787d)	Selle	Sattel	Bloque De Caucho	
14	6101777M91	1	Cover Assy. - Switch Operating	Cache	Abdeckung	Tapa	
15	6102490M1	1	Relay-Micro	Relais	Relais	Relé	
16	218-772	2	Plug-37deg Flared Tube	Bouchon	Stopfen	Tapón	

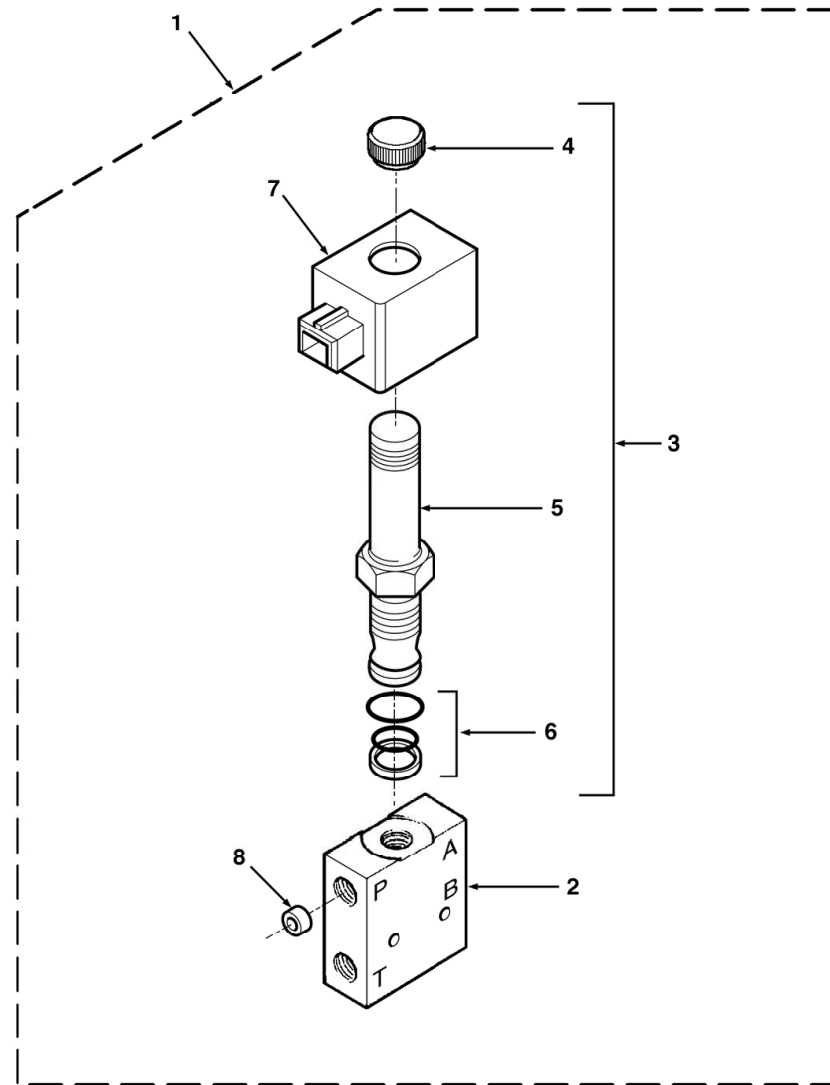


C-90014-02.1-A



Item	Part No.	Qty.	English	French	German	Spanish	Remarks
1	365830X91	1	Connector	Adaptateur	Reduziernippel	Unión	
2	#UNION	1	Union	Union	Union	Union	Ref. 1
3	#O-RING	1	O-Ring	Joint Torique	O-Ring	Junta Tórica	
4	6109910M91	1	Hose Assy - Q/A Feed	Flexible Ass.	Schlauch Kpl	Flexible, Conj.	
5	6106011M91	1	Valve-Digger Quick Attach.	Électrovalve	Magnetventil	Electroválvula	90014c03.1
6	391244X1	2	Bolt M6-45 Z5s	Goupille	Bolzen - M6 X 45	Perno	
7	1441500X1	2	Nut M6 Z5 Nyloc	Ecrou	Flachmutter M6	Tuerca De Retención	
8	370807X91	2	Elbow 90 7/16jic9/16or	Coude, 90	Kniestück, 90°	Codo, 90°	
9	#ELBOW	1	Elbow	Elbow	Elbow	Elbow	Ref. 8
10	831452M1	1	O Ring (Pack Of 10)	Joint Torique	O Ring	Junta De Tipo O	
11	6102806M91	2	Hose-Quick Attach	Flexible Ass.	Schlauch Kpl	Flexible, Conj.	
12	365065X91	2	Connector 7/16x9/16	Borne	Doppelnippel	Unión	
13	#UNION	1	Union	Union	Union	Union	Ref. 12
14	831452M1	1	O Ring (Pack Of 10)	Joint Torique	O Ring	Junta De Tipo O	
15	3519226M91	1	Hose Assy	Flexible Ass.	Schlauch Kpl	Flexible, Conj.	

C-90014-03.1-A

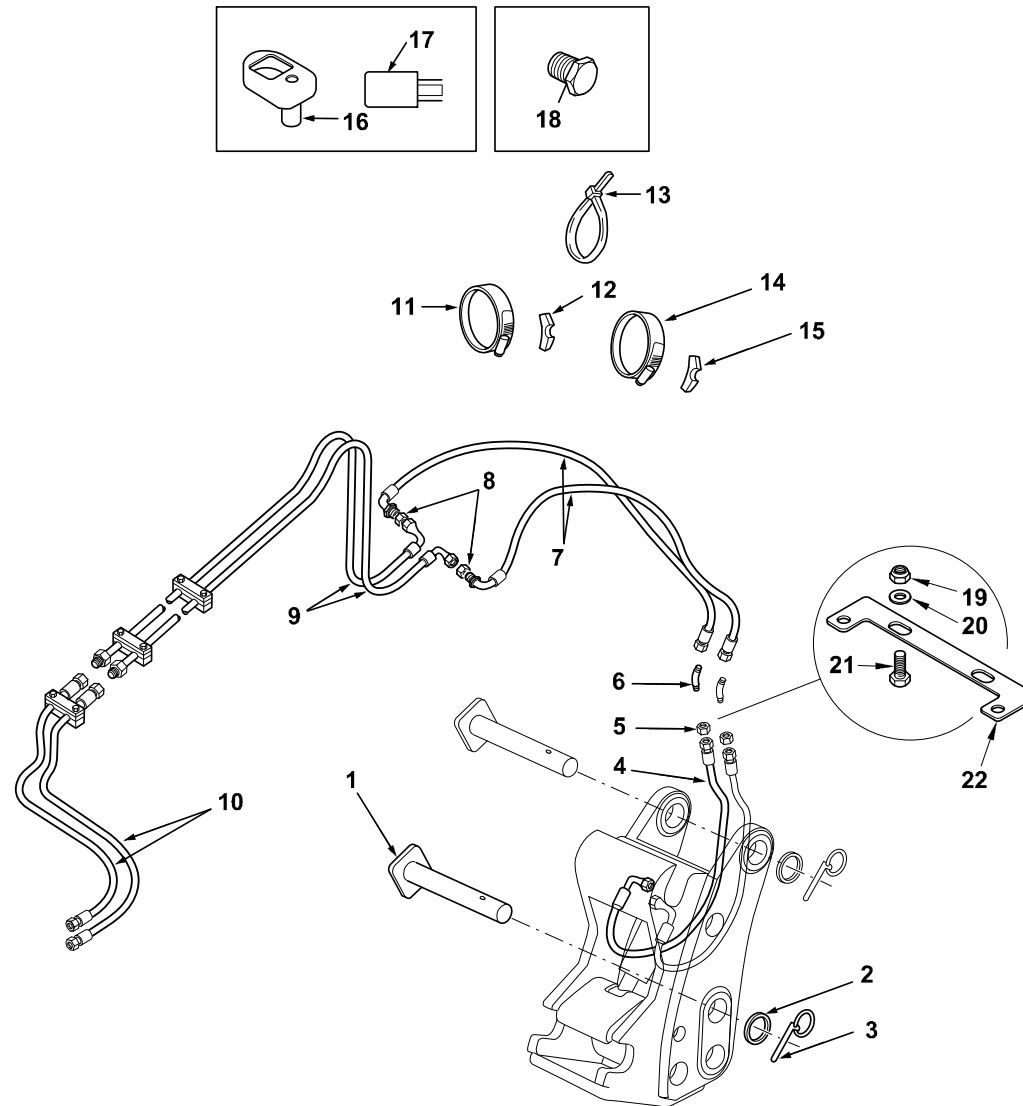




Item	Part No.	Qty.	English	French	German	Spanish	Remarks
1	6106011M91	1	Valve-Digger Quick Attach.	Électrovalve	Magnetventil	Electroválvula	90014c02.1 5
2	#BODY	1	Body	Body	Body	Body	Ref. 1
3	6193020M91	1	Cartridge Assy	Cartouche Ass.	Einsatz Kplt	Solenoido, Conj.	
4	#NUT	1	Nut	Ecrou	Mutter	Tuerca	Ref. 3
5	#CARTRIDGE	1	Cartridge	Cartridge	Cartridge	Cartridge	Ref. 3
6	6193022M91	1	Kit Seal	Jeu Étanchéité	Dichtringsatz	Juego De Juntas	
7	6191096M91	1	Coil Assy.	Bobine	Wicklung, Spule	Bobina	
8	6193021M1	1	Restrictor	Réduction	Reduzierstück	Reducción	



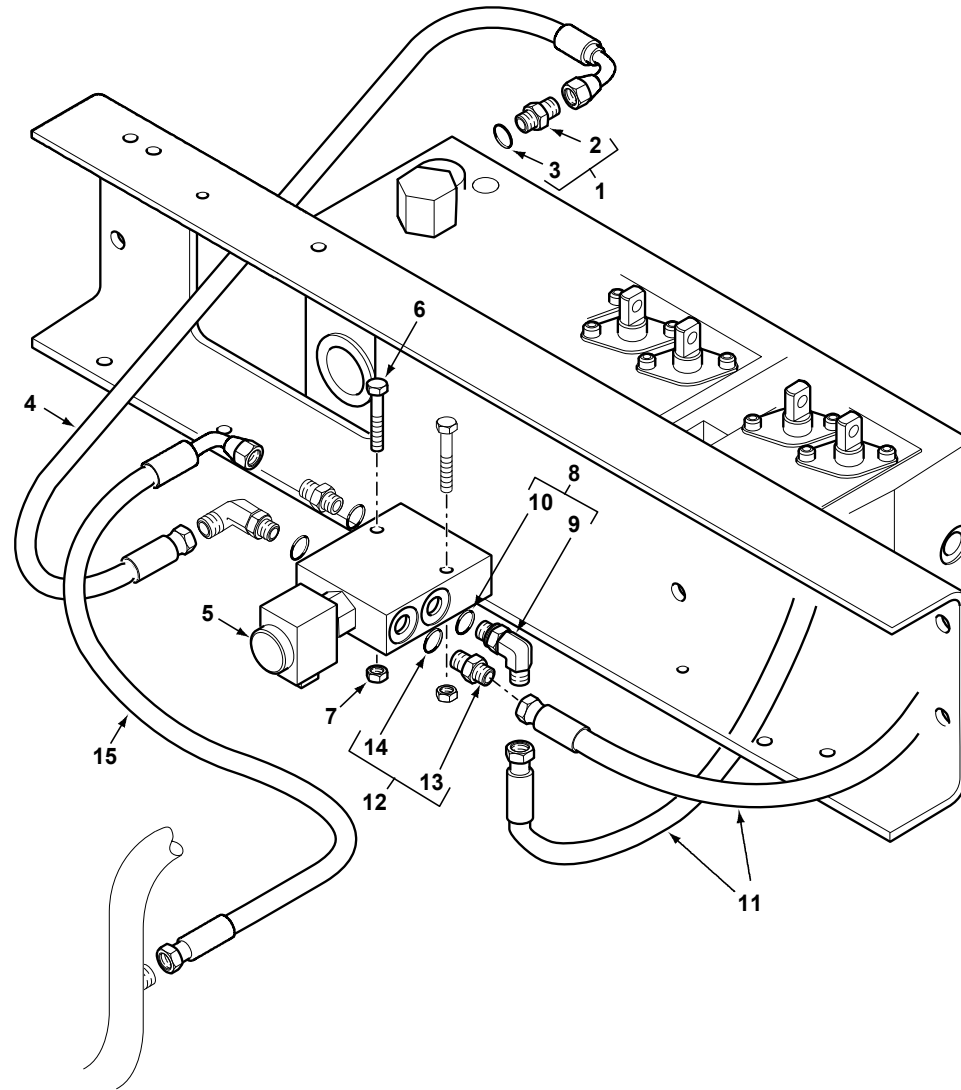
C-90015-01.1-B



Item	Part No.	Qty.	English	French	German	Spanish	Remarks
1	3516519M94	2	Pin & Plate 45-322,5	Axe	Bolzen	Pasador	
2	3501790M1	2	Washer M46-65-5 Z	Rondelle	Scheibe	Arandela	
3	3516522M91	2	Pin Safety Linch	Goupille D´Arrêt	Klappstecker	Pasador De Parada	
4	6102923M91	2	Hose - Digger Q/Attach., Miller	Flexible	Schlauch Kpl	Flexible, Conj.	
5	356612X1	2	Nut 7/16" Unf	Ecrou Unf	Mutter 7/16" Unf	Tuerca	
6	371089X1	2	Elbow 45 Deg	Coude, 45	Kniestück, 45°	Codo, 45°	
7	6102922M92	2	Hose-Miller Q/Attach Hyd.	Ensemble Durit	Schlauch Kpl	Flexible, Conj.	
8	356612X1	2	Nut 7/16" Unf	Ecrou Unf	Mutter 7/16" Unf	Tuerca	
9	3521945M95	1	Hose Assy. - Digger Quick Attach	Flexible Ass.	Schlauch Kpl	Flexible, Conj.	Yellow
9	6111272M91	1	Hose Assembly - Q/Attach Boom	Ensemble Durit	Schlauch Kpl	Flexible, Conj.	Black
10	#HOSE ASSY	2	Hose Assy	Hose Assy	Hose Assy	Hose Assy	90015c02.1 11
11	3517732M1	1	Clip, Hose	Collier Durit	Schlauchschelle	Argolla De Fijación	
12	D142787	1	Saddle (See 142787d)	Selle	Sattel	Bloque De Caucho	
13	1664405M1	6	Tie Mm T50s	Attache Cable	Kabelbinder	Enlace De Cable	
14	3517731M1	1	Clamp-Hose	Bride Pour Tutaux	Schlauchschelle	Argolla De Fijación	
15	D142787	1	Saddle (See 142787d)	Selle	Sattel	Bloque De Caucho	
16	6101777M91	1	Cover Assy. - Switch Operating	Cache	Abdeckung	Tapa	
17	6102490M1	1	Relay-Micro	Relais	Relais	Relé	
18	218-772	2	Plug-37deg Flared Tube	Bouchon	Stopfen	Tapón	
19	1440329X1	2	Nut, Hex. - Nyloc, M10	Ecrou Blocage	Flachmutter M10	Tuerca De Retención	
20	390597X1	2	Washer, Large - M10	Rondelle	Scheible	Arandela	
21	3009492X1	2	Bolt - Hex. M10 X 25	Boulon M10 X 25	Schraube M10 X 25	Tornillo	
22	6112498M1	1	Bracket	Support Fixation	Haltearm	Pata De Fijación	



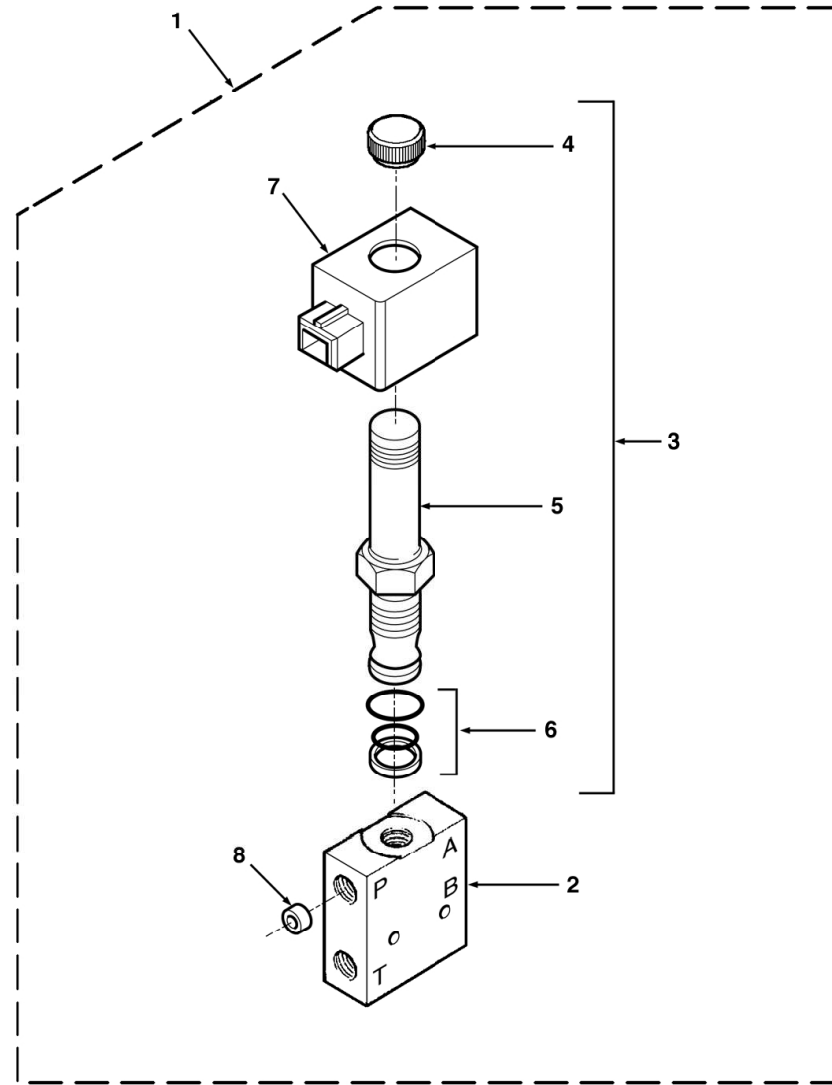
C-90015-02.1-A



Item	Part No.	Qty.	English	French	German	Spanish	Remarks
1	365830X91	1	Connector	Adaptateur	Reduziernippel	Unión	
2	#UNION	1	Union	Union	Union	Union	Ref. 1
3	#O-RING	1	O-Ring	Joint Torique	O-Ring	Junta Tórica	
4	6109910M91	1	Hose Assy - Q/A Feed	Flexible Ass.	Schlauch Kpl	Flexible, Conj.	
5	6106011M91	1	Valve-Digger Quick Attach.	Électrovalve	Magnetventil	Electroválvula	90015c03.1
6	391244X1	2	Bolt M6-45 Z5s	Goupille	Bolzen - M6 X 45	Perno	
7	1441500X1	2	Nut M6 Z5 Nyloc	Ecrou	Flachmutter M6	Tuerca De Retención	
8	370807X91	2	Elbow 90 7/16jic9/16or	Coude, 90	Kniestück, 90°	Codo, 90°	
9	#ELBOW	1	Elbow	Elbow	Elbow	Elbow	Ref. 8
10	831452M1	1	O Ring (Pack Of 10)	Joint Torique	O Ring	Junta De Tipo O	
11	6102806M91	1	Hose-Quick Attach	Flexible Ass.	Schlauch Kpl	Flexible, Conj.	Yellow
11	6111273M91	1	Hose Assembly - Q/Attach	Ensemble Durit	Schlauch Kpl	Flexible, Conj.	
12	365065X91	2	Connector 7/16x9/16	Borne	Doppelnippel	Unión	
13	#UNION	1	Union	Union	Union	Union	Ref. 12
14	831452M1	1	O Ring (Pack Of 10)	Joint Torique	O Ring	Junta De Tipo O	
15	3519226M91	1	Hose Assy	Flexible Ass.	Schlauch Kpl	Flexible, Conj.	

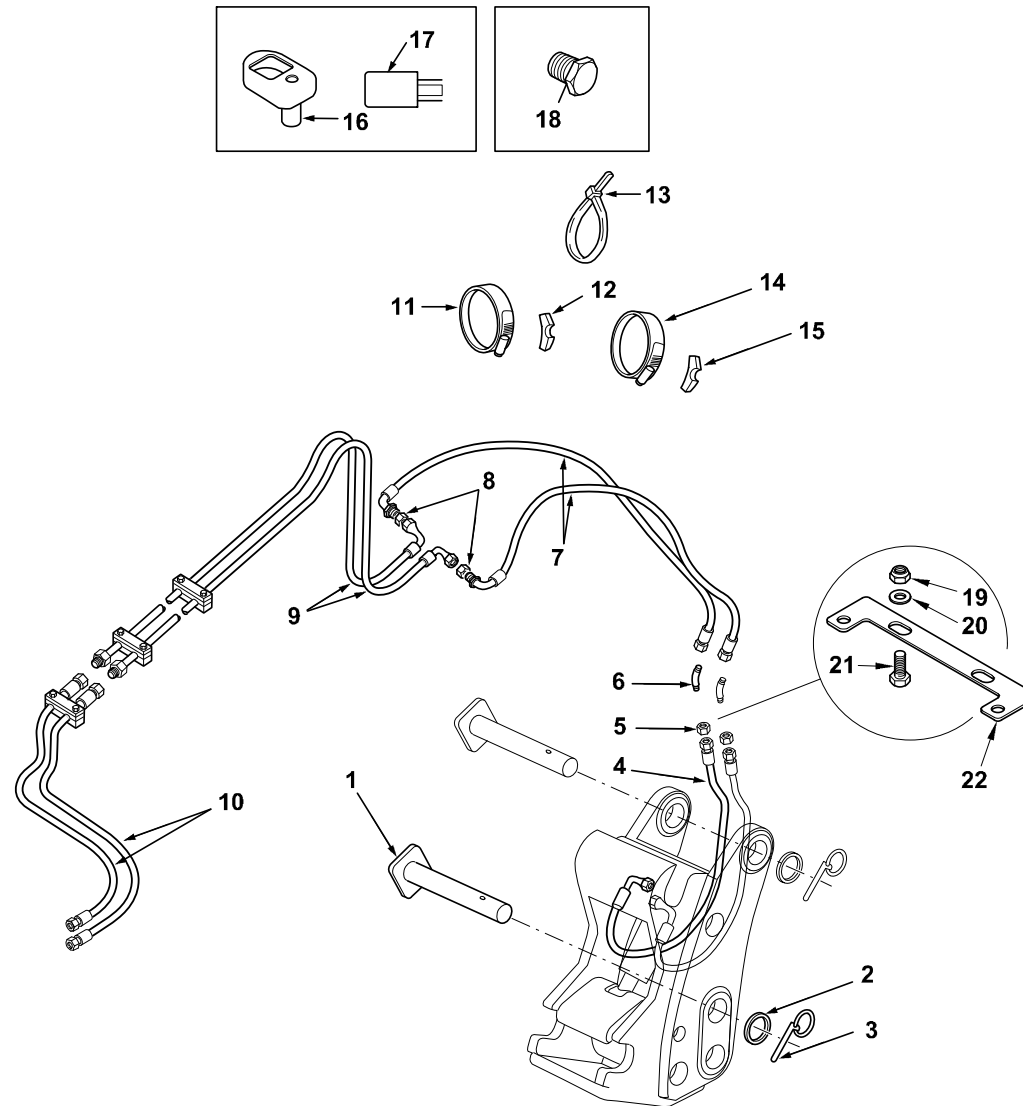


C-90015-03.1-A



Item	Part No.	Qty.	English	French	German	Spanish	Remarks
1	6106011M91	1	Valve-Digger Quick Attach.	Électrovalve	Magnetventil	Electroválvula	90015c02.1 5
2	#BODY	1	Body	Body	Body	Body	Ref. 1
3	6193020M91	1	Cartridge Assy	Cartouche Ass.	Einsatz Kplt	Solenoido, Conj.	
4	#NUT	1	Nut	Ecrou	Mutter	Tuerca	Ref. 3
5	#CARTRIDGE	1	Cartridge	Cartridge	Cartridge	Cartridge	Ref. 3
6	6193022M91	1	Kit Seal	Jeu Étanchéité	Dichtringsatz	Juego De Juntas	
7	6191096M91	1	Coil Assy.	Bobine	Wicklung, Spule	Bobina	
8	6193021M1	1	Restrictor	Réduction	Reduzierstück	Reducción	

C-90016-01.1-B

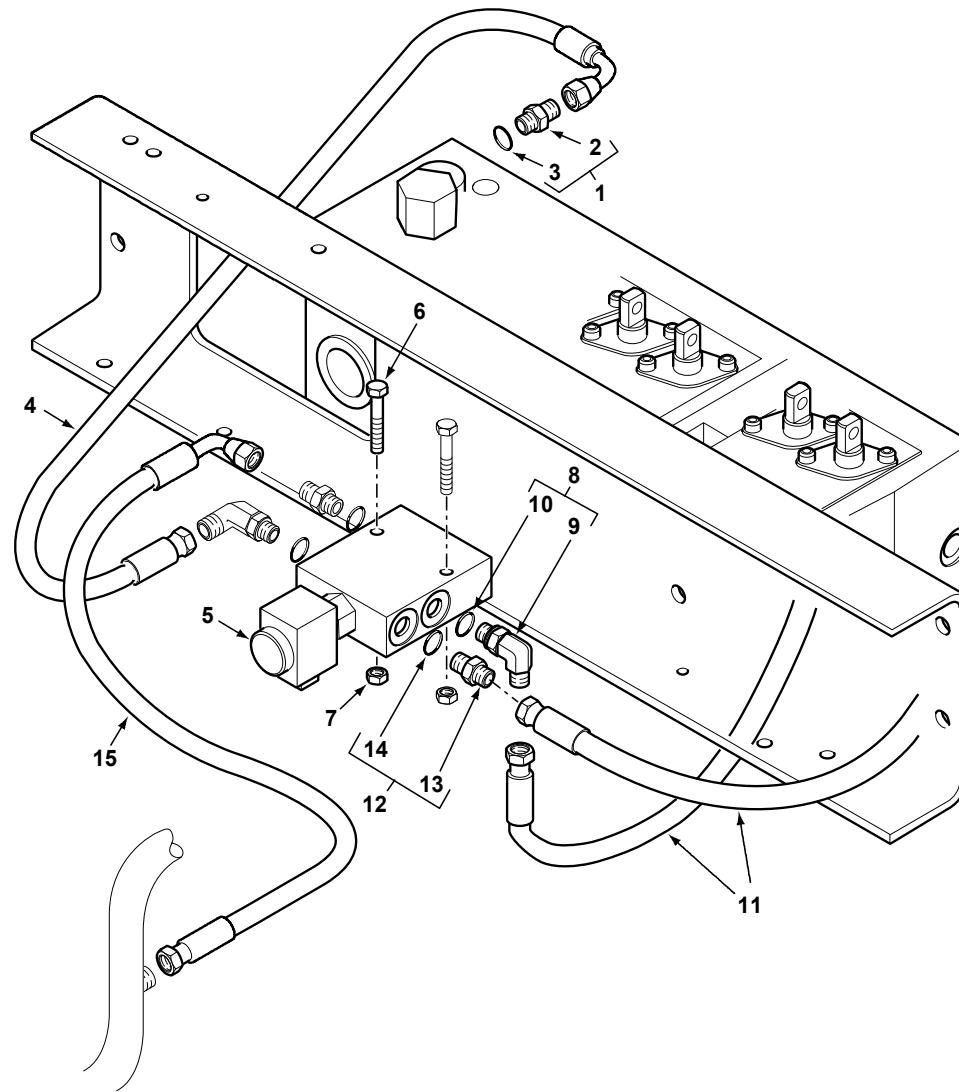




Item	Part No.	Qty.	English	French	German	Spanish	Remarks
1	3516519M94	2	Pin & Plate 45-322,5	Axe	Bolzen	Pasador	
2	3501790M1	2	Washer M46-65-5 Z	Rondelle	Scheibe	Arandela	
3	3516522M91	2	Pin Safety Linch	Goupille D´ Arrêt	Klappstecker	Pasador De Parada	
4	6102923M91	2	Hose - Digger Q/Attach., Miller	Flexible	Schlauch Kpl	Flexible, Conj.	
5	356612X1	2	Nut 7/16" Unf	Ecrou Unf	Mutter 7/16" Unf	Tuerca	
6	371089X1	2	Elbow 45 Deg	Coude, 45	Kniestück, 45°	Codo, 45°	
7	6102922M92	2	Hose-Miller Q/Attach Hyd.	Ensemble Durit	Schlauch Kpl	Flexible, Conj.	
8	356612X1	2	Nut 7/16" Unf	Ecrou Unf	Mutter 7/16" Unf	Tuerca	
9	3518145M91	2	Hose Assy	Flexible	Schlauch Kpl	Flexible, Conj.	
10	#HOSE ASSY	2	Hose Assy	Hose Assy	Hose Assy	Hose Assy	90016c02.1 11
11	3517732M1	1	Clip, Hose	Collier Durit	Schlauchschelle	Argolla De Fijación	
12	D142787	1	Saddle (See 142787d)	Selle	Sattel	Bloque De Caucho	
13	1664405M1	6	Tie Mm T50s	Attache Cable	Kabelbinder	Enlace De Cable	
14	3517731M1	1	Clamp-Hose	Bride Pour Tutaux	Schlauchschelle	Argolla De Fijación	
15	D142787	1	Saddle (See 142787d)	Selle	Sattel	Bloque De Caucho	
16	6101777M91	1	Cover Assy. - Switch Operating	Cache	Abdeckung	Tapa	
17	6102490M1	1	Relay-Micro	Relais	Relais	Relé	
18	218-772	2	Plug-37deg Flared Tube	Bouchon	Stopfen	Tapón	
19	1440329X1	2	Nut, Hex. - Nyloc, M10	Ecrou Blocage	Flachmutter M10	Tuerca De Retención	
20	390597X1	2	Washer, Large - M10	Rondelle	Scheible	Arandela	
21	3009492X1	2	Bolt - Hex. M10 X 25	Boulon M10 X 25	Schraube M10 X 25	Tornillo	
22	6112498M1	1	Bracket	Support Fixation	Haltearm	Pata De Fijación	

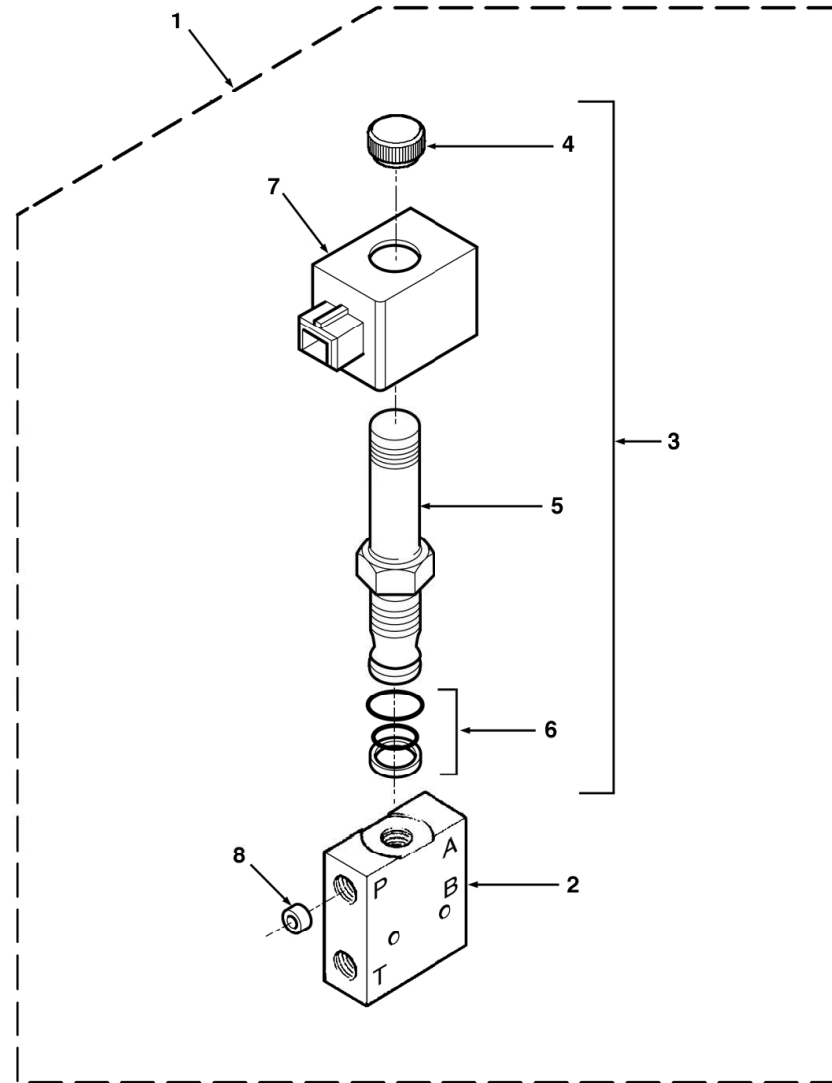


C-90016-02.1-A



Item	Part No.	Qty.	English	French	German	Spanish	Remarks
1	365830X91	1	Connector	Adaptateur	Reduziernippel	Unión	
2	#UNION	1	Union	Union	Union	Union	Ref. 1
3	#O-RING	1	O-Ring	Joint Torique	O-Ring	Junta Tórica	
4	6109910M91	1	Hose Assy - Q/A Feed	Flexible Ass.	Schlauch Kpl	Flexible, Conj.	
5	6106011M91	1	Valve-Digger Quick Attach.	Électrovalve	Magnetventil	Electroválvula	90016c03.1
6	391244X1	2	Bolt M6-45 Z5s	Goupille	Bolzen - M6 X 45	Perno	
7	1441500X1	2	Nut M6 Z5 Nyloc	Ecrou	Flachmutter M6	Tuerca De Retención	
8	370807X91	2	Elbow 90 7/16jic9/16or	Coude, 90	Kniestück, 90°	Codo, 90°	
9	#ELBOW	1	Elbow	Elbow	Elbow	Elbow	Ref. 8
10	831452M1	1	O Ring (Pack Of 10)	Joint Torique	O Ring	Junta De Tipo O	
11	6102806M91	2	Hose-Quick Attach	Flexible Ass.	Schlauch Kpl	Flexible, Conj.	
12	365065X91	2	Connector 7/16x9/16	Borne	Doppelnippel	Unión	
13	#UNION	1	Union	Union	Union	Union	Ref. 12
14	831452M1	1	O Ring (Pack Of 10)	Joint Torique	O Ring	Junta De Tipo O	
15	3519226M91	1	Hose Assy	Flexible Ass.	Schlauch Kpl	Flexible, Conj.	

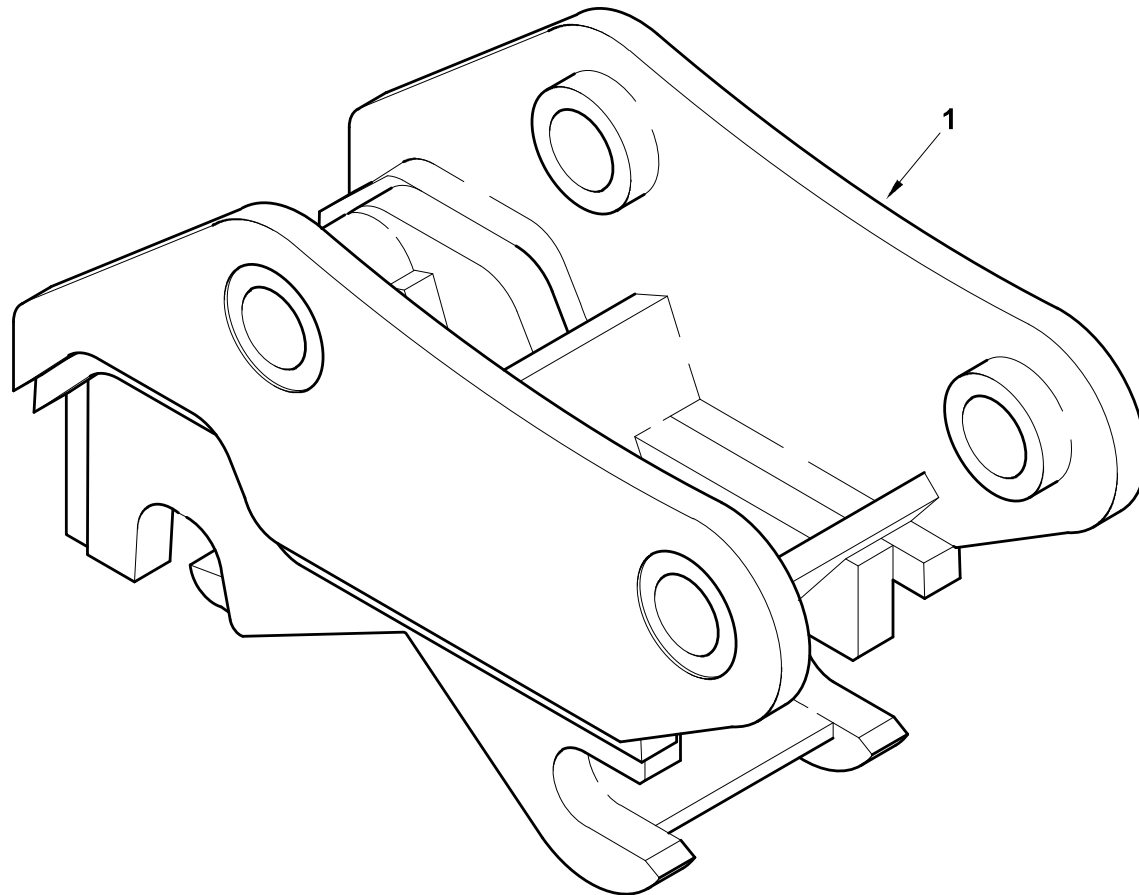
C-90016-03.1-A



Item	Part No.	Qty.	English	French	German	Spanish	Remarks
1	6106011M91	1	Valve-Digger Quick Attach.	Électrovalve	Magnetventil	Electroválvula	90016c02.1 5
2	#BODY	1	Body	Body	Body	Body	Ref. 1
3	6193020M91	1	Cartridge Assy	Cartouche Ass.	Einsatz Kplt	Solenoido, Conj.	
4	#NUT	1	Nut	Ecrou	Mutter	Tuerca	Ref. 3
5	#CARTRIDGE	1	Cartridge	Cartridge	Cartridge	Cartridge	Ref. 3
6	6193022M91	1	Kit Seal	Jeu Étanchéité	Dichtringsatz	Juego De Juntas	
7	6191096M91	1	Coil Assy.	Bobine	Wicklung, Spule	Bobina	
8	6193021M1	1	Restrictor	Réduction	Reduzierstück	Reducción	



C-90017-01.1-A



<b>Item</b>	<b>Part No.</b>	<b>Qty.</b>	<b>English</b>	<b>French</b>	<b>German</b>	<b>Spanish</b>	<b>Remarks</b>
1	6110753M91	1	Abiljo Mechanical Digger Q/A - Purple	Ensem. D&Attel. Rapi	Schnellkupplung Kpl.	Engan. Rápido, Conj.	

**Not Illustrated**

**Non Illustrée**

**Nicht Abgebildet**

**Non Illustrato**

**No Ilustrado**



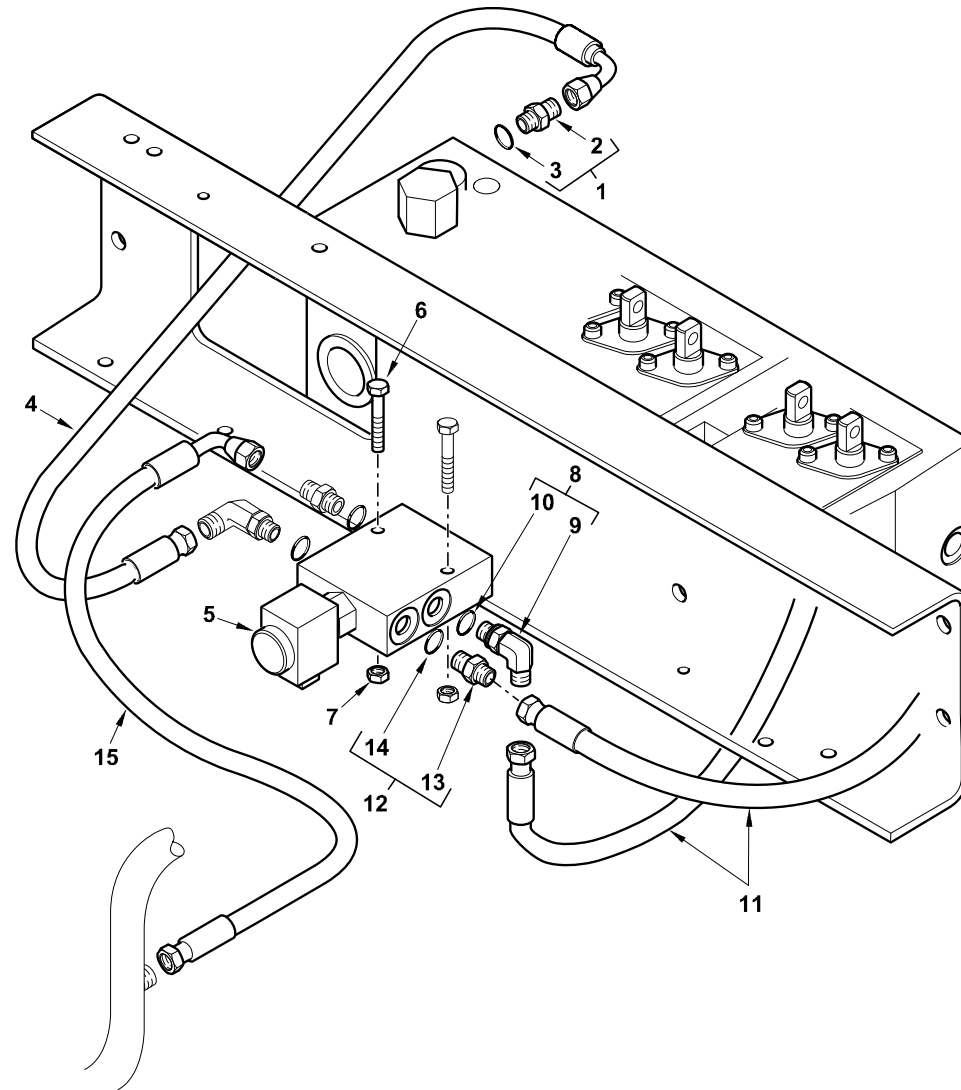
---

<b>Item</b>	<b>Part No.</b>	<b>Qty.</b>	<b>English</b>	<b>French</b>	<b>German</b>	<b>Spanish</b>	<b>Remarks</b>
-------------	-----------------	-------------	----------------	---------------	---------------	----------------	----------------

---



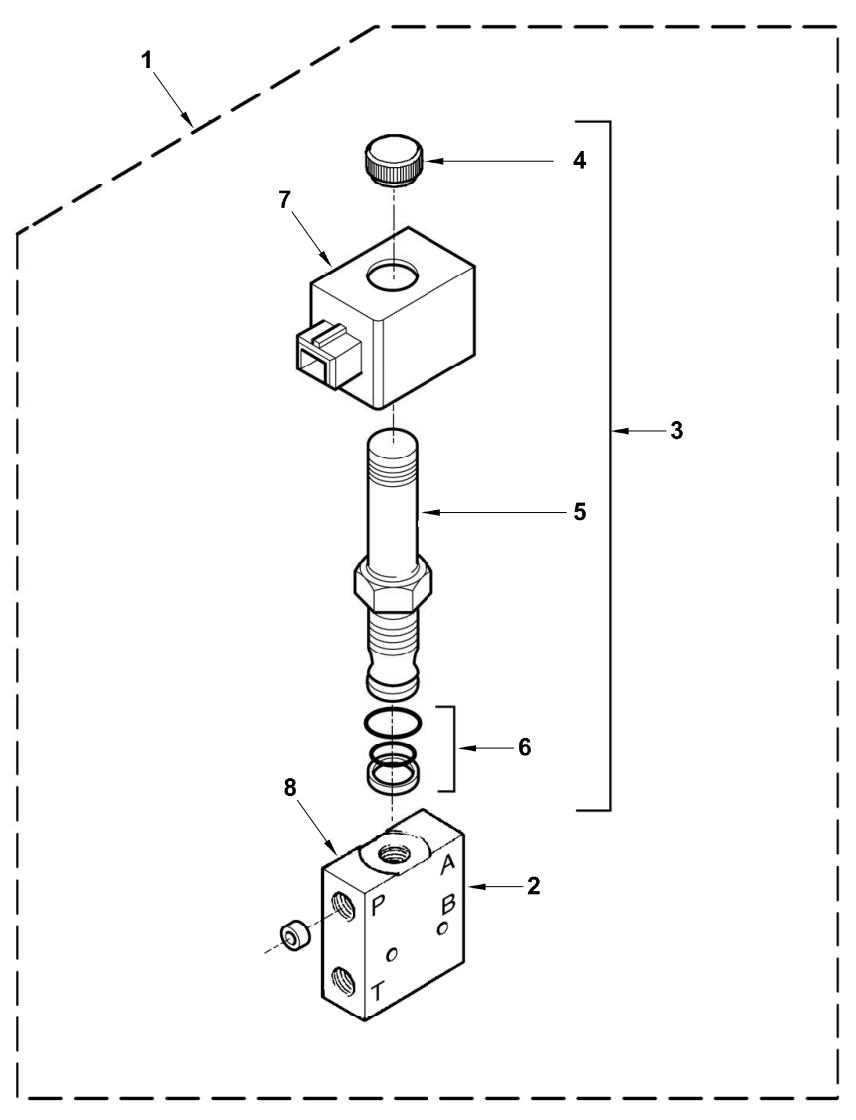
C-90023-02.1-A



Item	Part No.	Qty.	English	French	German	Spanish	Remarks
1	365830X91	1	Connector	Adaptateur	Reduziernippel	Unión	
2	#UNION	1	Union	Union	Union	Union	Ref. 1
3	#O-RING	1	O-Ring	Joint Torique	O-Ring	Junta Tórica	
4	6109910M91	1	Hose Assy - Q/A Feed	Flexible Ass.	Schlauch Kpl	Flexible, Conj.	
5	6106011M91	1	Valve-Digger Quick Attach.	Électrovalve	Magnetventil	Electroválvula	90023c03.1
6	391244X1	2	Bolt M6-45 Z5s	Goupille	Bolzen - M6 X 45	Perno	
7	1441500X1	2	Nut M6 Z5 Nyloc	Ecrou	Flachmutter M6	Tuerca De Retención	
8	370807X91	2	Elbow 90 7/16jic9/16or	Coude, 90	Kniestück, 90°	Codo, 90°	
9	#ELBOW	1	Elbow	Elbow	Elbow	Elbow	Ref. 8
10	831452M1	1	O Ring (Pack Of 10)	Joint Torique	O Ring	Junta De Tipo O	
11	6111273M91	1	Hose Assembly - Q/Attach	Ensemble Durit	Schlauch Kpl	Flexible, Conj.	
11	6102806M91	1	Hose-Quick Attach	Flexible Ass.	Schlauch Kpl	Flexible, Conj.	Yellow
12	365065X91	2	Connector 7/16x9/16	Borne	Doppelnippel	Unión	
13	#UNION	1	Union	Union	Union	Union	Ref. 12
14	831452M1	1	O Ring (Pack Of 10)	Joint Torique	O Ring	Junta De Tipo O	
15	3519226M91	1	Hose Assy	Flexible Ass.	Schlauch Kpl	Flexible, Conj.	



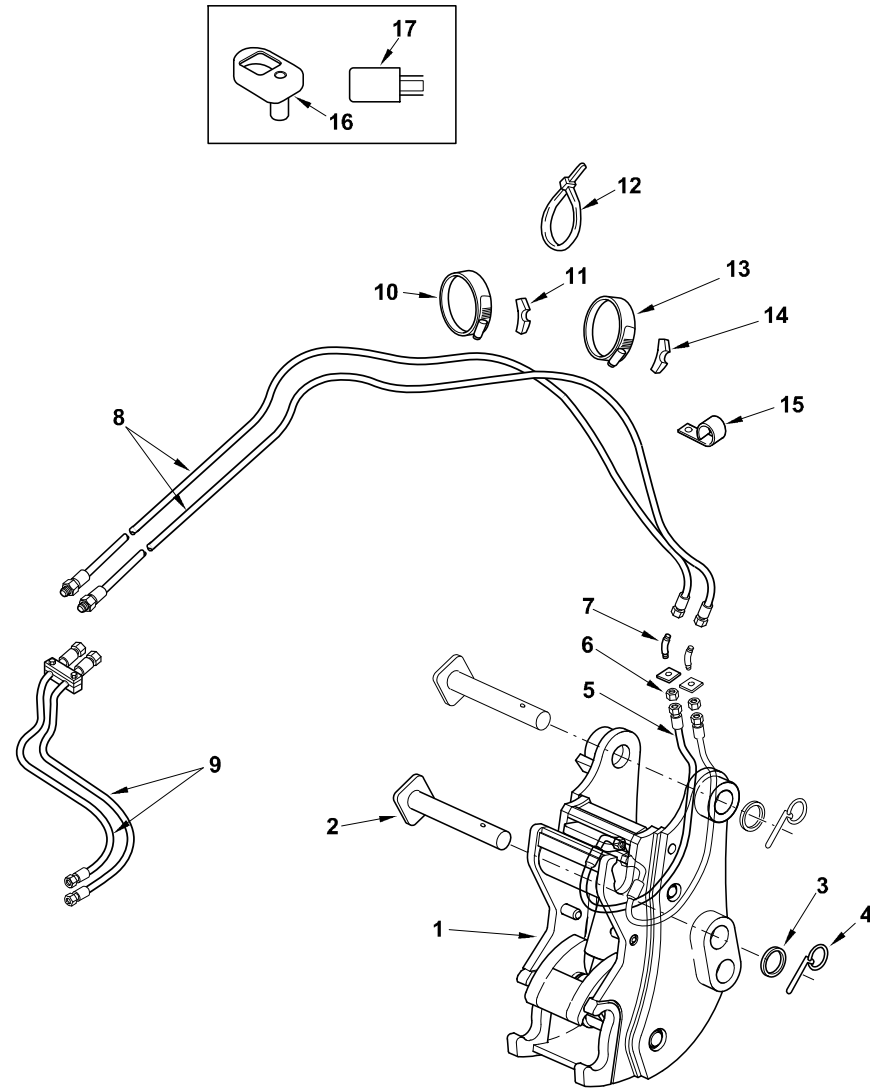
C-90023-03.1-A



Item	Part No.	Qty.	English	French	German	Spanish	Remarks
1	6106011M91	1	Valve-Digger Quick Attach.	Électrovalve	Magnetventil	Electroválvula	90023c02.1 5
2	#BODY	1	Body	Body	Body	Body	Ref. 1
3	6193020M91	1	Cartridge Assy	Cartouche Ass.	Einsatz Kplt	Solenoido, Conj.	
4	#NUT	1	Nut	Ecrou	Mutter	Tuerca	Ref. 3
5	#CARTRIDGE	1	Cartridge	Cartridge	Cartridge	Cartridge	Ref. 3
6	6193022M91	1	Kit Seal	Jeu Étanchéité	Dichtringsatz	Juego De Juntas	
7	6191096M91	1	Coil Assy.	Bobine	Wicklung, Spule	Bobina	
8	6193021M1	1	Restrictor	Réduction	Reduzierstück	Reducción	

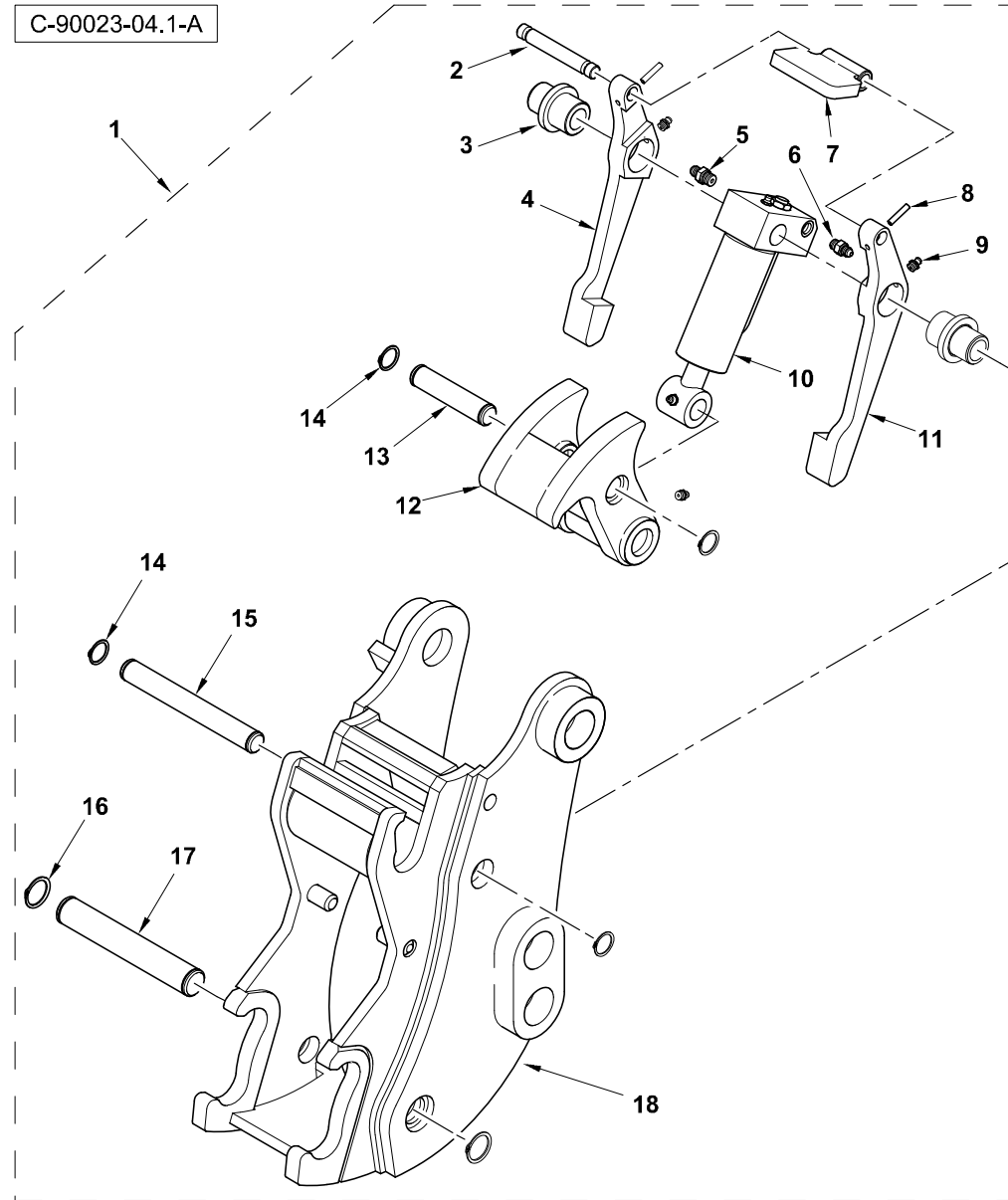


C-90023-01.1-A



Item	Part No.	Qty.	English	French	German	Spanish	Remarks
1	T101115	1	Miller Q/A Assy - Fully Hydraulic (Fabricated)	Ensem. D'attel. Rapide	Schnellkupplung Kpl.	Engan. Rapido, Conj.	See 90023c04.1
2	3516519M94	2	Pin & Plate 45-322,5	Axe	Bolzen	Pasador	
3	3501790M1	2	Washer M46-65-5 Z	Rondelle	Scheibe	Arandela	
4	3516522M91	2	Pin Safety Linch	Goupille D´Arrêt	Klappstecker	Pasador De Parada	
5	T101116	2	Hose Assy - Fully Hydraulic Q/A	Ensemble Durit	Schlauch Kpl	Con. De Manguera	
6	356612X1	2	Nut 7/16" Unf	Ecrou Unf	Mutter 7/16" Unf	Tuerca	
7	371089X1	2	Elbow 45 Deg	Coude, 45	Kniestück, 45°	Codo, 45°	
8	6106086M91	2	Hose-Miller Q/Attach Hyd.	Flexible Ass.	Schlauch Kpl	Flexible, Conj.	
9	#HOSE ASSY	2	Hose Assy	Hose Assy	Hose Assy	Hose Assy	90023c02.1 11
10	3517732M1	1	Clip, Hose	Collier Durit	Schlauchschelle	Argolla De Fijación	
11	D142787	1	Saddle (See 142787d)	Selle	Sattel	Bloque De Caucho	
12	1664405M1	6	Tie Mm T50s	Attache Cable	Kabelbinder	Enlace De Cable	
13	3517731M1	1	Clamp-Hose	Bride Pour Tutaux	Schlauchschelle	Argolla De Fijación	
14	D142787	1	Saddle (See 142787d)	Selle	Sattel	Bloque De Caucho	
15	515-22127	4	Clip-Coated P	Collier De Fixation	Befestigungsschelle	Argolla De Fijación	
16	6101777M91	1	Cover Assy. - Switch Operating	Cache	Abdeckung	Tapa	
17	6102490M1	1	Relay-Micro	Relais	Relais	Relé	

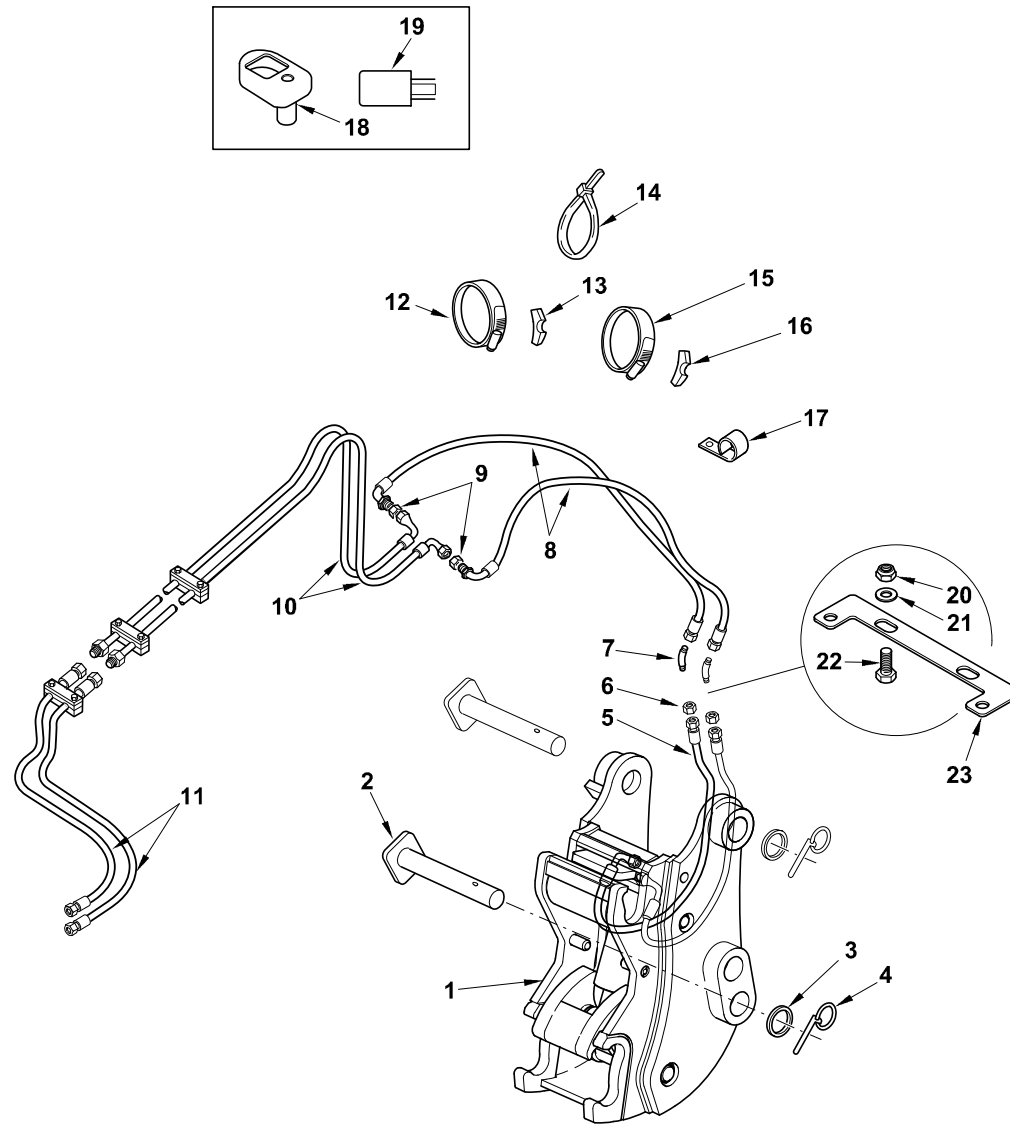






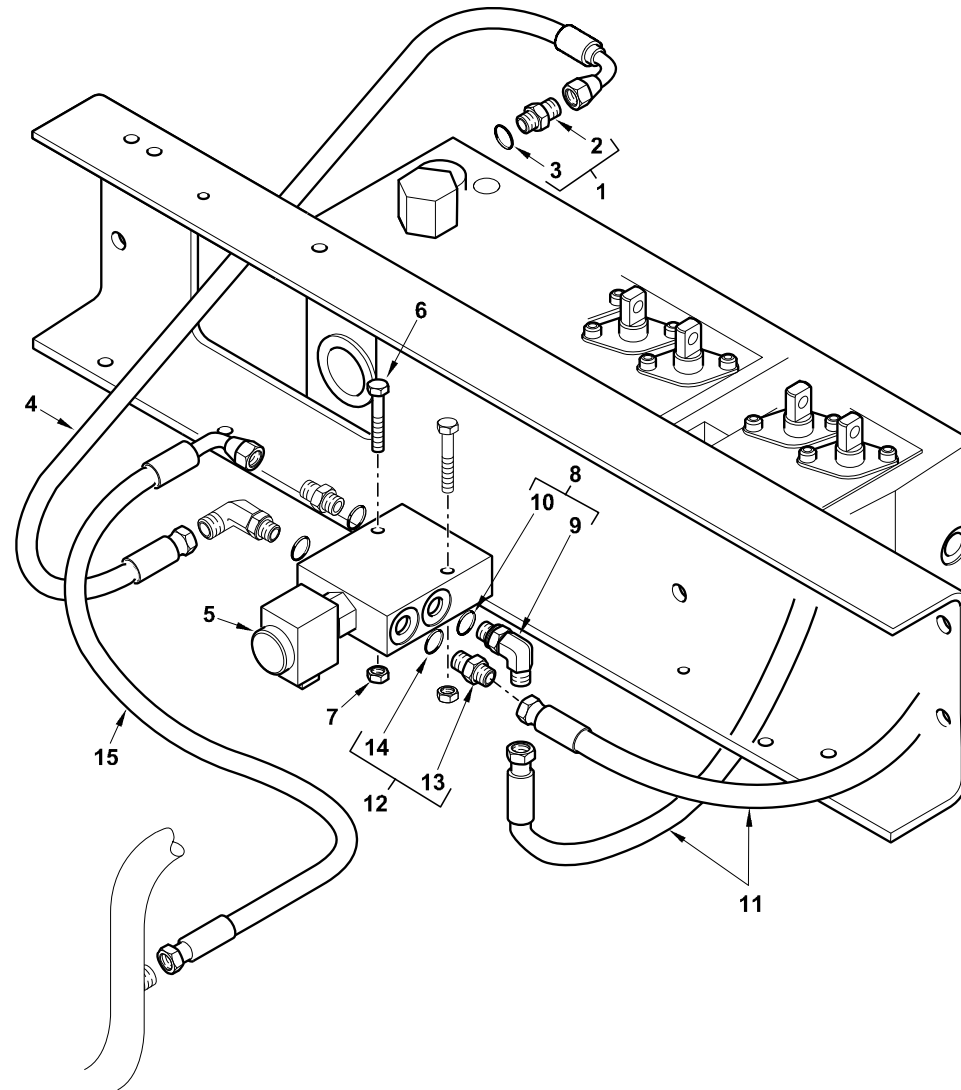
Item	Part No.	Qty.	English	French	German	Spanish	Remarks
1	T101115	1	Miller Q/A Assy - Fully Hydraulic (Fabricated)	Ensem. D'attel. Rapide	Schnellkupplung Kpl.	Engan. Rapido, Conj.	
2	T101175	1	Latch Pin	Goupille	Bolzen	Pasador	
3	T101169	2	Arm Hinge	Charniere	Scharnier	Bisagra	
4	T101171	1	Arm LH	Bras - LH	Arm - LH	Brazo - LH	
5	6106088M91	1	Connector, Hydraulic	Borne	Doppelnippel	Conector	
6	358741X91	1	Union, Hydr.	Raccord	Verschraubung	Racor	
7	T101173	1	Front Latch	Verrou	Riegel	Cerrojo	
8	T101181	2	Roll Pin	Goupille Roulee	Spannhulse	Pasador Elastico	
9	T101182	3	Grease Nipple - Miller Hydraulic Q/A	Graisseur Coude	Nippel	Niple	
10	T101174	1	Cylinder Assy - Miller Hydraulic Q/A	Cylindre	Zylinder	Cilindro	
11	T101172	1	Arm RH	Bras - RH	Arm - RH	Brazo - RH	
12	T101170	1	Hook Assy	Crochet	Haken	Gancho	
13	T101178	1	Rod Pin	Goupille	Bolzen	Pasador	
14	T101179	4	Retaining Ring	Reteneur	Haltering	Retenedor	
15	T101176	1	Arm Pin	Goupille	Bolzen	Pasador	
16	T101180	2	Retaining Ring	Reteneur	Haltering	Retenedor	
17	T101177	1	Hook Pin	Goupille	Bolzen	Pasador	
18	T101167	1	Body Assy - Miller Hydraulic Q/A	Corps	Korper	Cuerpo	

C-90024-01.1-A



Item	Part No.	Qty.	English	French	German	Spanish	Remarks
1	T101115	1	Miller Q/A Assy - Fully Hydraulic (Fabricated)	Ensem. D'attel. Rapide	Schnellkupplung Kpl.	Engan. Rapido, Conj.	See 90024c04.1
2	3516519M94	2	Pin & Plate 45-322,5	Axe	Bolzen	Pasador	
3	3501790M1	2	Washer M46-65-5 Z	Rondelle	Scheibe	Arandela	
4	3516522M91	2	Pin Safety Linch	Goupille D'Arrêt	Klappstecker	Pasador De Parada	
5	T101116	2	Hose Assy - Fully Hydraulic Q/A	Ensemble Durit	Schlauch Kpl	Con. De Manguera	
6	356612X1	2	Nut 7/16" Unf	Ecrou Unf	Mutter 7/16" Unf	Tuerca	
7	371089X1	2	Elbow 45 Deg	Coude, 45	Kniestück, 45°	Codo, 45°	
8	6102922M92	2	Hose-Miller Q/Attach Hyd.	Ensemble Durit	Schlauch Kpl	Flexible, Conj.	
9	356612X1	2	Nut 7/16" Unf	Ecrou Unf	Mutter 7/16" Unf	Tuerca	
10	6111272M91	1	Hose Assembly - Q/Attach Boom	Ensemble Durit	Schlauch Kpl	Flexible, Conj.	Black
10	3521945M95	1	Hose Assy. - Digger Quick Attach	Flexible Ass.	Schlauch Kpl	Flexible, Conj.	Yellow
11	#HOSE ASSY	2	Hose Assy	Hose Assy	Hose Assy	Hose Assy	90024c02.1 11
12	3517732M1	1	Clip, Hose	Collier Durit	Schlauchschelle	Argolla De Fijación	
13	D142787	1	Saddle (See 142787d)	Selle	Sattel	Bloque De Caucho	
14	1664405M1	6	Tie Mm T50s	Attache Cable	Kabelbinder	Enlace De Cable	
15	3517731M1	1	Clamp-Hose	Bride Pour Tutaux	Schlauchschelle	Argolla De Fijación	
16	D142787	1	Saddle (See 142787d)	Selle	Sattel	Bloque De Caucho	
17	515-22127	4	Clip-Coated P	Collier De Fixation	Befestigungsschelle	Argolla De Fijación	
18	6101777M91	1	Cover Assy. - Switch Operating	Cache	Abdeckung	Tapa	
19	6102490M1	1	Relay-Micro	Relais	Relais	Relé	
20	1440329X1	2	Nut, Hex. - Nyloc, M10	Ecrou Blocage	Flachmutter M10	Tuerca De Retención	
21	390597X1	2	Washer, Large - M10	Rondelle	Scheible	Arandela	
22	3009492X1	2	Bolt - Hex. M10 X 25	Boulon M10 X 25	Schraube M10 X 25	Tornillo	
23	6112498M1	1	Bracket	Support Fixation	Haltearm	Pata De Fijación	

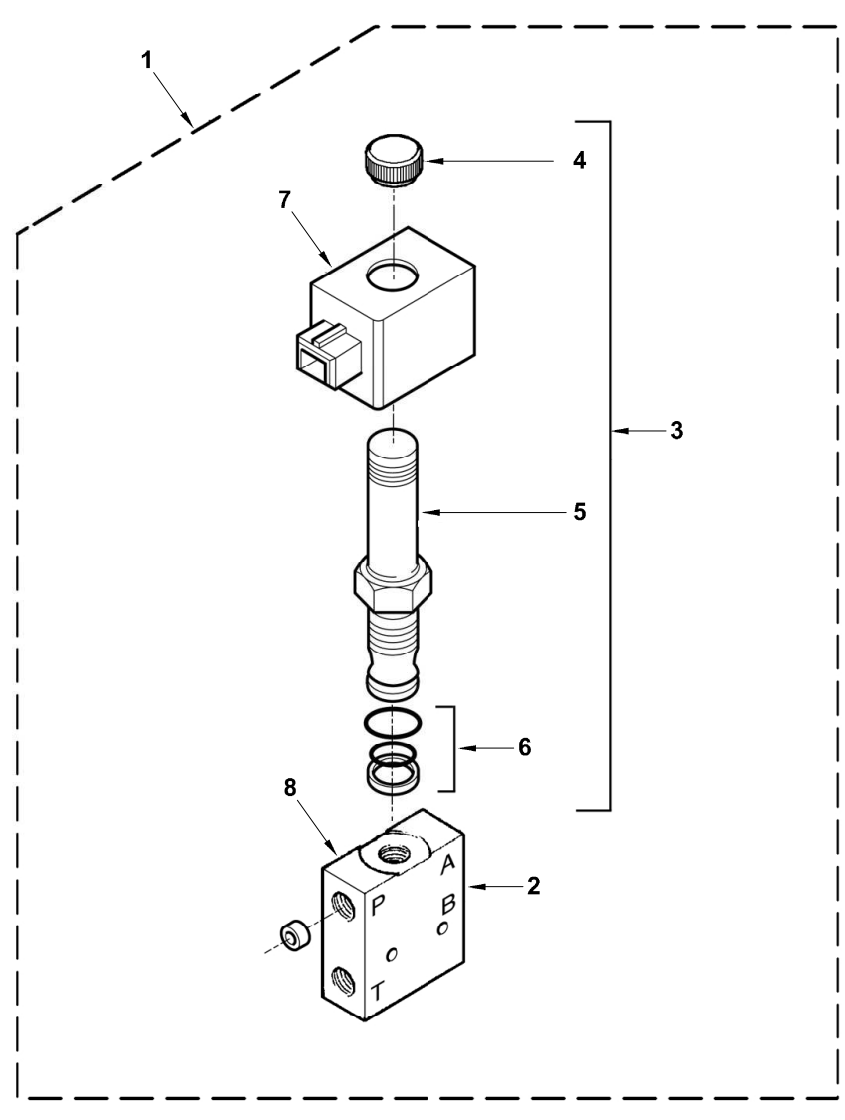
C-90024-02.1-A



Item	Part No.	Qty.	English	French	German	Spanish	Remarks
1	365830X91	1	Connector	Adaptateur	Reduziernippel	Unión	
2	#UNION	1	Union	Union	Union	Union	Ref. 1
3	#O-RING	1	O-Ring	Joint Torique	O-Ring	Junta Tórica	
4	6109910M91	1	Hose Assy - Q/A Feed	Flexible Ass.	Schlauch Kpl	Flexible, Conj.	
5	6106011M91	1	Valve-Digger Quick Attach.	Électrovalve	Magnetventil	Electroválvula	90024c03.1
6	391244X1	2	Bolt M6-45 Z5s	Goupille	Bolzen - M6 X 45	Perno	
7	1441500X1	2	Nut M6 Z5 Nyloc	Ecrou	Flachmutter M6	Tuerca De Retención	
8	370807X91	2	Elbow 90 7/16jic9/16or	Coude, 90	Kniestück, 90°	Codo, 90°	
9	#ELBOW	1	Elbow	Elbow	Elbow	Elbow	Ref. 8
10	831452M1	1	O Ring (Pack Of 10)	Joint Torique	O Ring	Junta De Tipo O	
11	6111273M91	1	Hose Assembly - Q/Attach	Ensemble Durit	Schlauch Kpl	Flexible, Conj.	
11	6102806M91	1	Hose-Quick Attach	Flexible Ass.	Schlauch Kpl	Flexible, Conj.	Yellow
12	365065X91	2	Connector 7/16x9/16	Borne	Doppelnippel	Unión	
13	#UNION	1	Union	Union	Union	Union	Ref. 12
14	831452M1	1	O Ring (Pack Of 10)	Joint Torique	O Ring	Junta De Tipo O	
15	3519226M91	1	Hose Assy	Flexible Ass.	Schlauch Kpl	Flexible, Conj.	

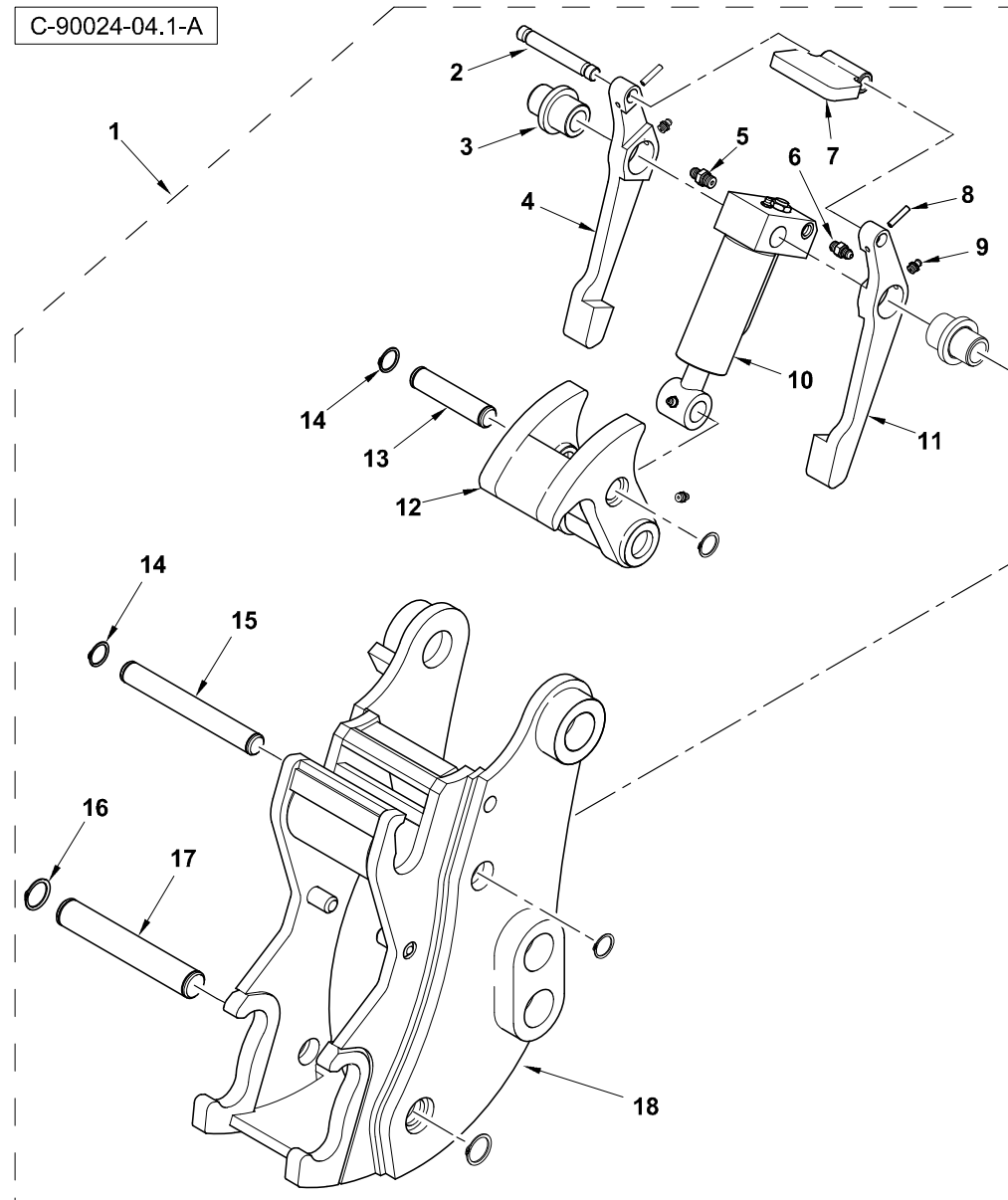


C-90024-03.1-A



Item	Part No.	Qty.	English	French	German	Spanish	Remarks
1	6106011M91	1	Valve-Digger Quick Attach.	Électrovalve	Magnetventil	Electroválvula	90024c02.1 5
2	#BODY	1	Body	Body	Body	Body	Ref. 1
3	6193020M91	1	Cartridge Assy	Cartouche Ass.	Einsatz Kplt	Solenoido, Conj.	
4	#NUT	1	Nut	Ecrou	Mutter	Tuerca	Ref. 3
5	#CARTRIDGE	1	Cartridge	Cartridge	Cartridge	Cartridge	Ref. 3
6	6193022M91	1	Kit Seal	Jeu Étanchéité	Dichtringsatz	Juego De Juntas	
7	6191096M91	1	Coil Assy.	Bobine	Wicklung, Spule	Bobina	
8	6193021M1	1	Restrictor	Réduction	Reduzierstück	Reducción	

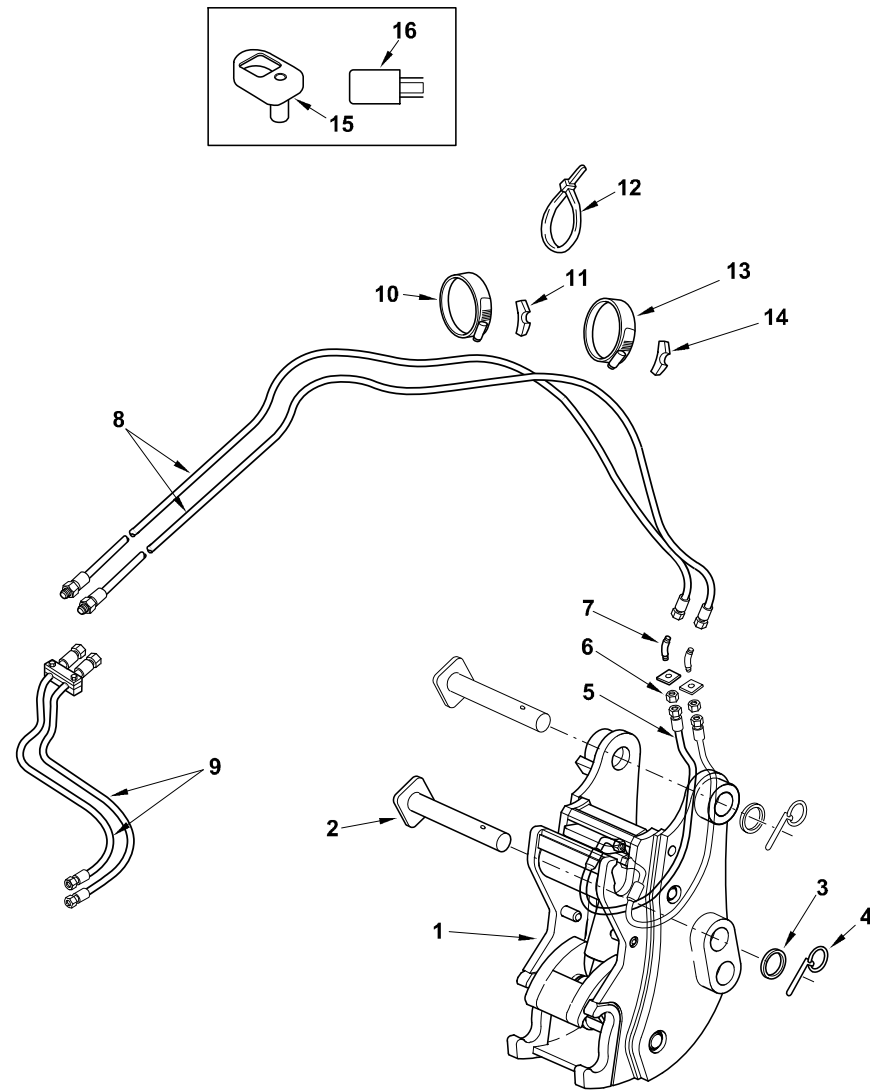






Item	Part No.	Qty.	English	French	German	Spanish	Remarks
1	T101115	1	Miller Q/A Assy - Fully Hydraulic (Fabricated)	Ensem. D'attel. Rapide	Schnellkupplung Kpl.	Engan. Rapido, Conj.	
2	T101175	1	Latch Pin	Goupille	Bolzen	Pasador	
3	T101169	2	Arm Hinge	Charniere	Scharnier	Bisagra	
4	T101171	1	Arm LH	Bras - LH	Arm - LH	Brazo - LH	
5	6106088M91	1	Connector, Hydraulic	Borne	Doppelnippel	Conector	
6	358741X91	1	Union, Hydr.	Raccord	Verschraubung	Racor	
7	T101173	1	Front Latch	Verrou	Riegel	Cerrojo	
8	T101181	2	Roll Pin	Goupille Roulee	Spannhulse	Pasador Elastico	
9	T101182	3	Grease Nipple - Miller Hydraulic Q/A	Graisseur Coude	Nippel	Niple	
10	T101174	1	Cylinder Assy - Miller Hydraulic Q/A	Cylindre	Zylinder	Cilindro	
11	T101172	1	Arm RH	Bras - RH	Arm - RH	Brazo - RH	
12	T101170	1	Hook Assy	Crochet	Haken	Gancho	
13	T101178	1	Rod Pin	Goupille	Bolzen	Pasador	
14	T101179	4	Retaining Ring	Reteneur	Haltering	Retenedor	
15	T101176	1	Arm Pin	Goupille	Bolzen	Pasador	
16	T101180	2	Retaining Ring	Reteneur	Haltering	Retenedor	
17	T101177	1	Hook Pin	Goupille	Bolzen	Pasador	
18	T101167	1	Body Assy - Miller Hydraulic Q/A	Corps	Korper	Cuerpo	

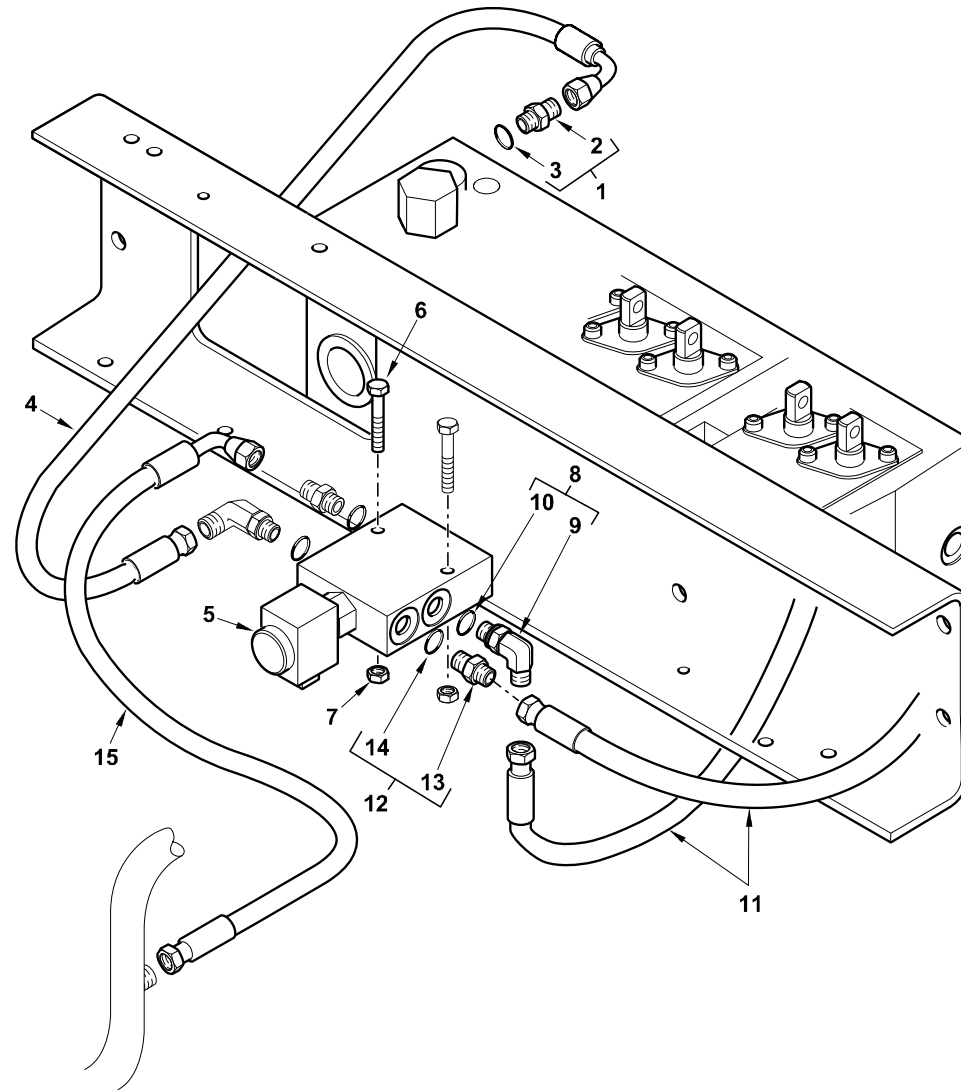
C-90025-01.1-A



Item	Part No.	Qty.	English	French	German	Spanish	Remarks
1	T101115	1	Miller Q/A Assy - Fully Hydraulic (Fabricated)	Ensem. D'attel. Rapide	Schnellkupplung Kpl.	Engan. Rapido, Conj.	
2	3516519M94	2	Pin & Plate 45-322,5	Axe	Bolzen	Pasador	
3	3501790M1	2	Washer M46-65-5 Z	Rondelle	Scheibe	Arandela	
4	3516522M91	2	Pin Safety Linch	Goupille D´Arrêt	Klappstecker	Pasador De Parada	
5	T101116	2	Hose Assy - Fully Hydraulic Q/A	Ensemble Durit	Schlauch Kpl	Con. De Manguera	
6	356612X1	2	Nut 7/16" Unf	Ecrou Unf	Mutter 7/16" Unf	Tuerca	
7	371089X1	2	Elbow 45 Deg	Coude, 45	Kniestück, 45°	Codo, 45°	
8	6106086M91	2	Hose-Miller Q/Attach Hyd.	Flexible Ass.	Schlauch Kpl	Flexible, Conj.	
9	#HOSE ASSY	2	Hose Assy	Hose Assy	Hose Assy	Hose Assy	90025c02.1 11
10	3517732M1	1	Clip, Hose	Collier Durit	Schlauchschelle	Argolla De Fijación	
11	D142787	1	Saddle (See 142787d)	Selle	Sattel	Bloque De Caucho	
12	1664405M1	6	Tie Mm T50s	Attache Cable	Kabelbinder	Enlace De Cable	
13	3517731M1	1	Clamp-Hose	Bride Pour Tutaux	Schlauchschelle	Argolla De Fijación	
14	D142787	1	Saddle (See 142787d)	Selle	Sattel	Bloque De Caucho	
15	6101777M91	1	Cover Assy. - Switch Operating	Cache	Abdeckung	Tapa	
16	6102490M1	1	Relay-Micro	Relais	Relais	Relé	

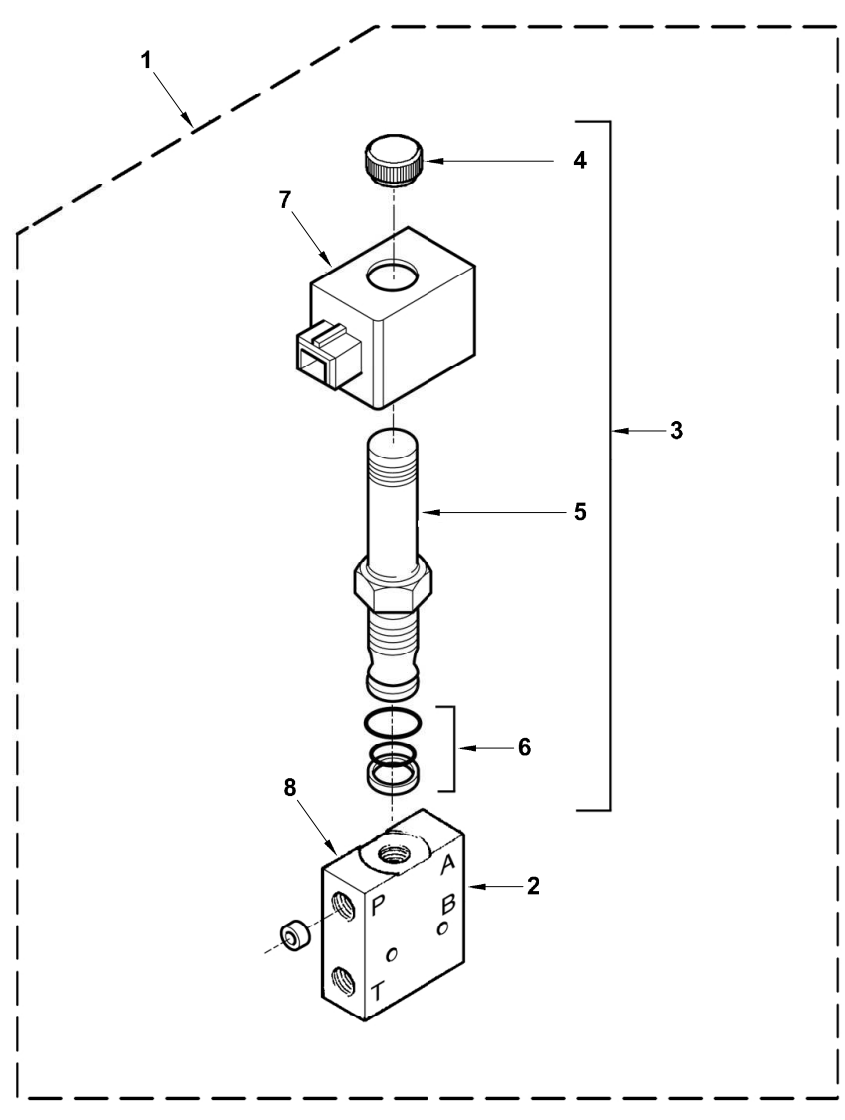


C-90025-02.1-A



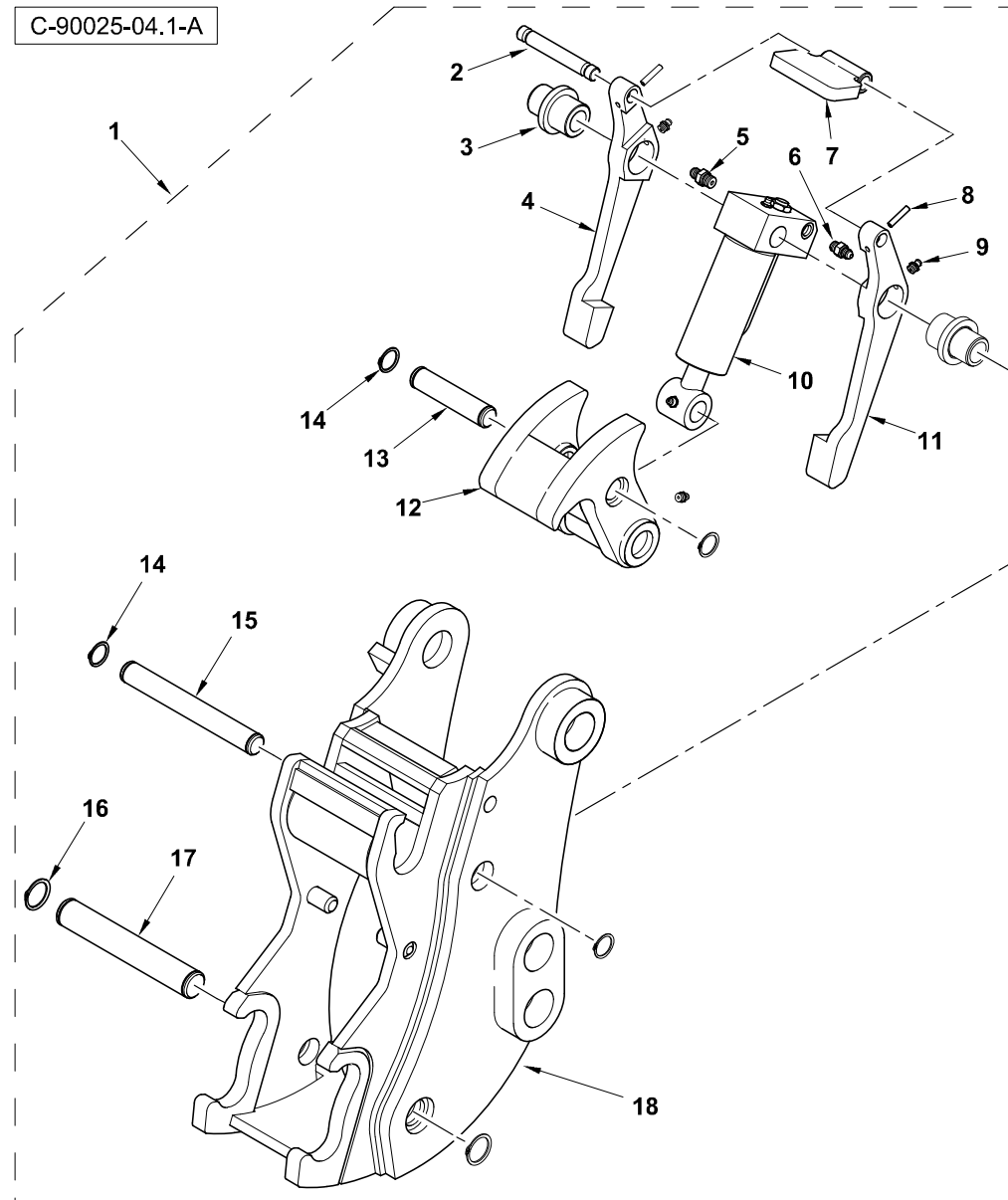
Item	Part No.	Qty.	English	French	German	Spanish	Remarks
1	365830X91	1	Connector	Adaptateur	Reduziernippel	Unión	
2	#UNION	1	Union	Union	Union	Union	Ref. 1
3	#O-RING	1	O-Ring	Joint Torique	O-Ring	Junta Tórica	
4	6109910M91	1	Hose Assy - Q/A Feed	Flexible Ass.	Schlauch Kpl	Flexible, Conj.	
5	6106011M91	1	Valve-Digger Quick Attach.	Électrovalve	Magnetventil	Electroválvula	90025c03.1 1
6	391244X1	2	Bolt M6-45 Z5s	Goupille	Bolzen - M6 X 45	Perno	
7	1441500X1	2	Nut M6 Z5 Nyloc	Ecrou	Flachmutter M6	Tuerca De Retención	
8	370807X91	2	Elbow 90 7/16jic9/16or	Coude, 90	Kniestück, 90°	Codo, 90°	
9	#ELBOW	1	Elbow	Elbow	Elbow	Elbow	Ref. 8
10	831452M1	1	O Ring (Pack Of 10)	Joint Torique	O Ring	Junta De Tipo O	
11	3519882M92	2	Hose-(Cm Kit) Q/Attach	Flexible	Schlauch	Flexible, Conj.	
12	365065X91	2	Connector 7/16x9/16	Borne	Doppelnippel	Unión	
13	#UNION	1	Union	Union	Union	Union	Ref. 12
14	831452M1	1	O Ring (Pack Of 10)	Joint Torique	O Ring	Junta De Tipo O	
15	3519226M91	1	Hose Assy	Flexible Ass.	Schlauch Kpl	Flexible, Conj.	

C-90025-03.1-A



Item	Part No.	Qty.	English	French	German	Spanish	Remarks
1	6106011M91	1	Valve-Digger Quick Attach.	Électrovalve	Magnetventil	Electroválvula	90025c02.1 5
2	#BODY	1	Body	Body	Body	Body	Ref. 1
3	6193020M91	1	Cartridge Assy	Cartouche Ass.	Einsatz Kplt	Solenoido, Conj.	
4	#NUT	1	Nut	Ecrou	Mutter	Tuerca	Ref. 3
5	#CARTRIDGE	1	Cartridge	Cartridge	Cartridge	Cartridge	Ref. 3
6	6193022M91	1	Kit Seal	Jeu Étanchéité	Dichtringsatz	Juego De Juntas	
7	6191096M91	1	Coil Assy.	Bobine	Wicklung, Spule	Bobina	
8	6193021M1	1	Restrictor	Réduction	Reduzierstück	Reducción	



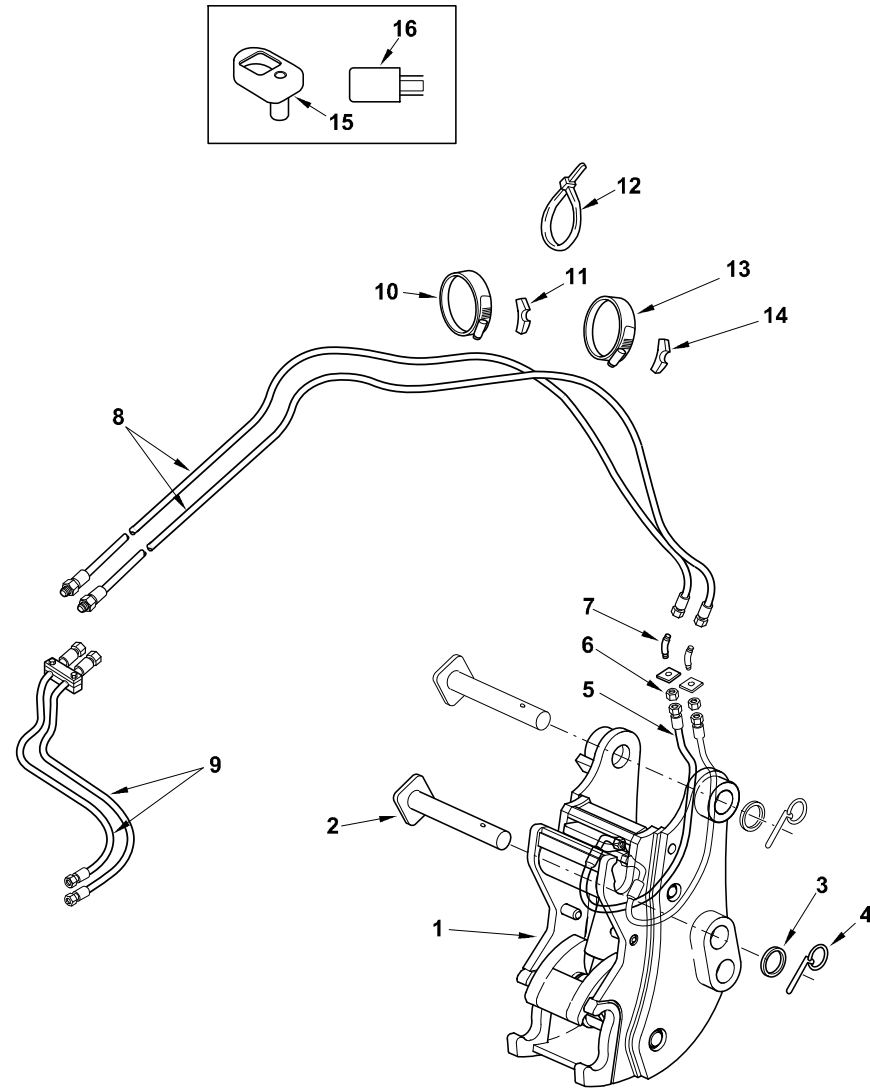




Item	Part No.	Qty.	English	French	German	Spanish	Remarks
1	T101115	1	Miller Q/A Assy - Fully Hydraulic (Fabricated)	Ensem. D'attel. Rapide	Schnellkupplung Kpl.	Engan. Rapido, Conj.	
2	T101175	1	Latch Pin	Goupille	Bolzen	Pasador	
3	T101169	2	Arm Hinge	Charniere	Scharnier	Bisagra	
4	T101171	1	Arm LH	Bras - LH	Arm - LH	Brazo - LH	
5	6106088M91	1	Connector, Hydraulic	Borne	Doppelnippel	Conector	
6	358741X91	1	Union, Hydr.	Raccord	Verschraubung	Racor	
7	T101173	1	Front Latch	Verrou	Riegel	Cerrojo	
8	T101181	2	Roll Pin	Goupille Roulee	Spannhulse	Pasador Elastico	
9	T101182	3	Grease Nipple - Miller Hydraulic Q/A	Graisser Coude	Nippel	Niple	
10	T101174	1	Cylinder Assy - Miller Hydraulic Q/A	Cylindre	Zylinder	Cilindro	
11	T101172	1	Arm RH	Bras - RH	Arm - RH	Brazo - RH	
12	T101170	1	Hook Assy	Crochet	Haken	Gancho	
13	T101178	1	Rod Pin	Goupille	Bolzen	Pasador	
14	T101179	4	Retaining Ring	Reteneur	Haltering	Retenedor	
15	T101176	1	Arm Pin	Goupille	Bolzen	Pasador	
16	T101180	2	Retaining Ring	Reteneur	Haltering	Retenedor	
17	T101177	1	Hook Pin	Goupille	Bolzen	Pasador	
18	T101167	1	Body Assy - Miller Hydraulic Q/A	Corps	Korper	Cuerpo	



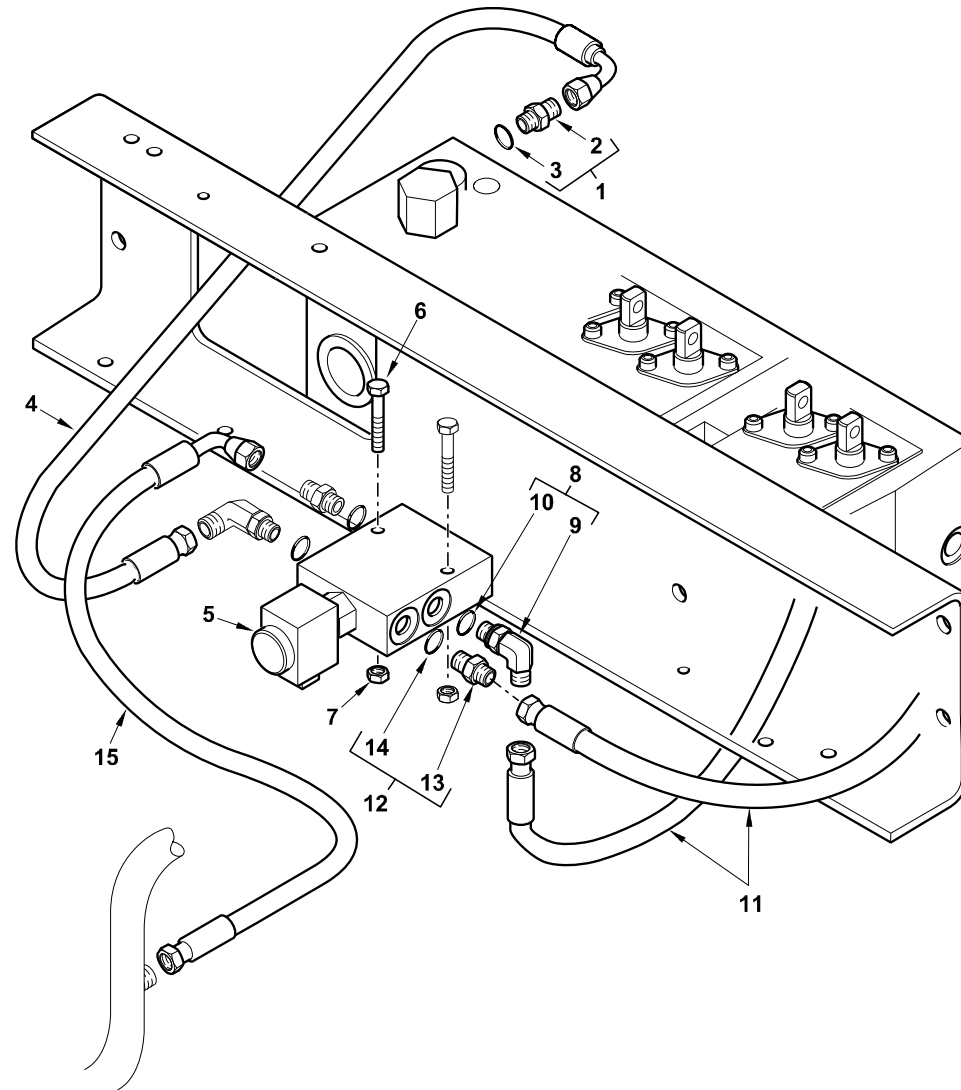
C-90026-01.1-A



Item	Part No.	Qty.	English	French	German	Spanish	Remarks
1	T101115	1	Miller Q/A Assy - Fully Hydraulic (Fabricated)	Ensem. D'attel. Rapide	Schnellkupplung Kpl.	Engan. Rapido, Conj.	
2	3516519M94	2	Pin & Plate 45-322,5	Axe	Bolzen	Pasador	
3	3501790M1	2	Washer M46-65-5 Z	Rondelle	Scheibe	Arandela	
4	3516522M91	2	Pin Safety Linch	Goupille D´Arrêt	Klappstecker	Pasador De Parada	
5	T101116	2	Hose Assy - Fully Hydraulic Q/A	Ensemble Durit	Schlauch Kpl	Con. De Manguera	
6	356612X1	2	Nut 7/16" Unf	Ecrou Unf	Mutter 7/16" Unf	Tuerca	
7	371089X1	2	Elbow 45 Deg	Coude, 45	Kniestück, 45°	Codo, 45°	
8	6106087M91	2	Hose-Miller Q/Attach Hyd.	Flexible	Schlauch Kpl	Flexible, Conj.	
9	#HOSE ASSY	2	Hose Assy	Hose Assy	Hose Assy	Hose Assy	90026c02.1 11
10	3517732M1	1	Clip, Hose	Collier Durit	Schlauchschelle	Argolla De Fijación	
11	D142787	1	Saddle (See 142787d)	Selle	Sattel	Bloque De Caucho	
12	1664405M1	6	Tie Mm T50s	Attache Cable	Kabelbinder	Enlace De Cable	
13	3517731M1	1	Clamp-Hose	Bride Pour Tutaux	Schlauchschelle	Argolla De Fijación	
14	D142787	1	Saddle (See 142787d)	Selle	Sattel	Bloque De Caucho	
15	6101777M91	1	Cover Assy. - Switch Operating	Cache	Abdeckung	Tapa	
16	6102490M1	1	Relay-Micro	Relais	Relais	Relé	



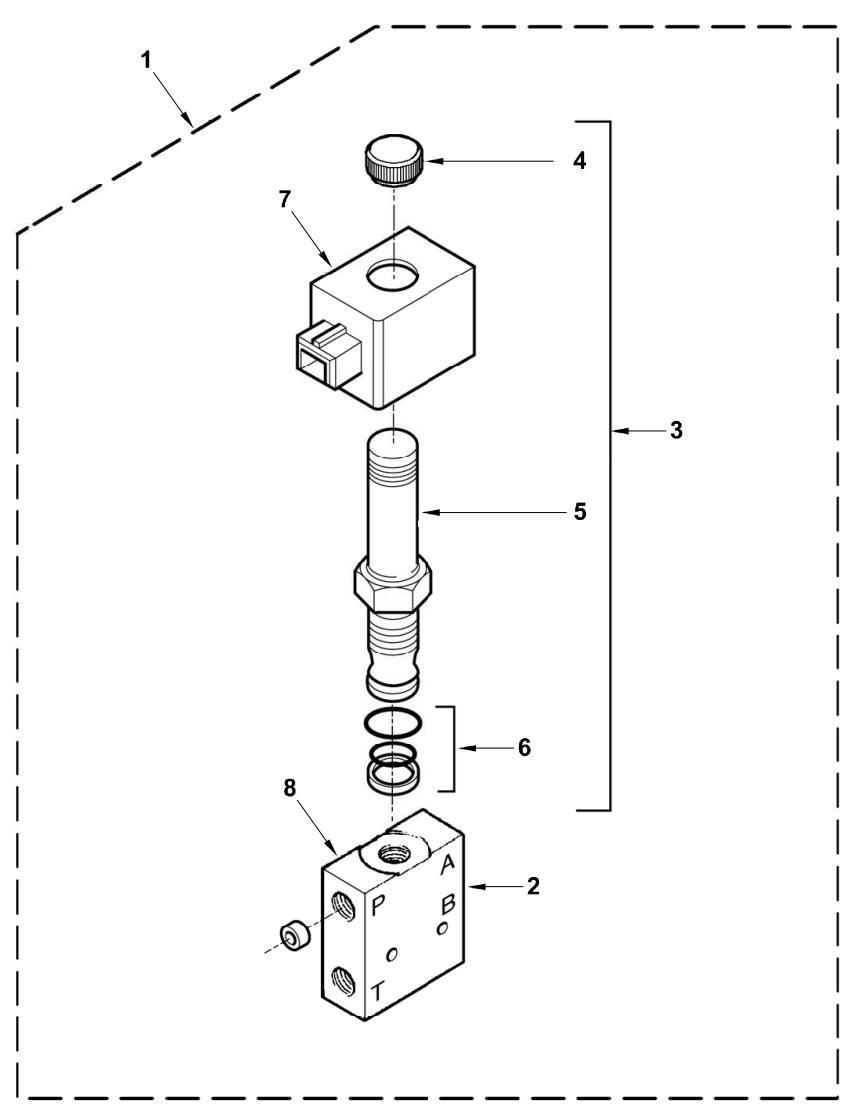
C-90026-02.1-A



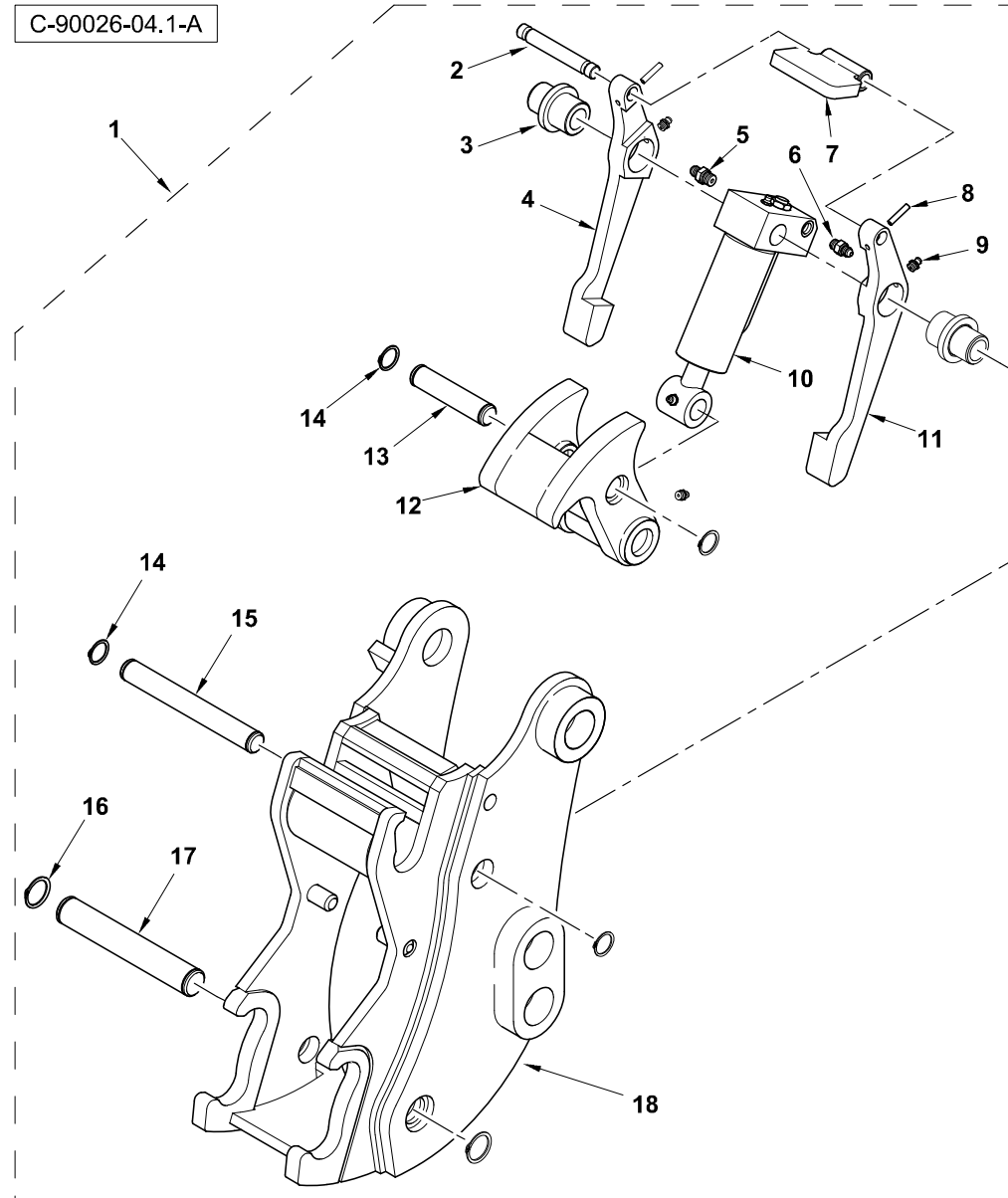
Item	Part No.	Qty.	English	French	German	Spanish	Remarks
1	365830X91	1	Connector	Adaptateur	Reduziernippel	Unión	
2	#UNION	1	Union	Union	Union	Union	Ref. 1
3	#O-RING	1	O-Ring	Joint Torique	O-Ring	Junta Tórica	
4	6109910M91	1	Hose Assy - Q/A Feed	Flexible Ass.	Schlauch Kpl	Flexible, Conj.	
5	6106011M91	1	Valve-Digger Quick Attach.	Électrovalve	Magnetventil	Electroválvula	90026c03.1 1
6	391244X1	2	Bolt M6-45 Z5s	Goupille	Bolzen - M6 X 45	Perno	
7	1441500X1	2	Nut M6 Z5 Nyloc	Ecrou	Flachmutter M6	Tuerca De Retención	
8	370807X91	2	Elbow 90 7/16jic9/16or	Coude, 90	Kniestück, 90°	Codo, 90°	
9	#ELBOW	1	Elbow	Elbow	Elbow	Elbow	Ref. 8
10	831452M1	1	O Ring (Pack Of 10)	Joint Torique	O Ring	Junta De Tipo O	
11	3519882M92	2	Hose-(Cm Kit) Q/Attach	Flexible	Schlauch	Flexible, Conj.	
12	365065X91	2	Connector 7/16x9/16	Borne	Doppelnippel	Unión	
13	#UNION	1	Union	Union	Union	Union	Ref. 12
14	831452M1	1	O Ring (Pack Of 10)	Joint Torique	O Ring	Junta De Tipo O	
15	3519226M91	1	Hose Assy	Flexible Ass.	Schlauch Kpl	Flexible, Conj.	



C-90026-03.1-A



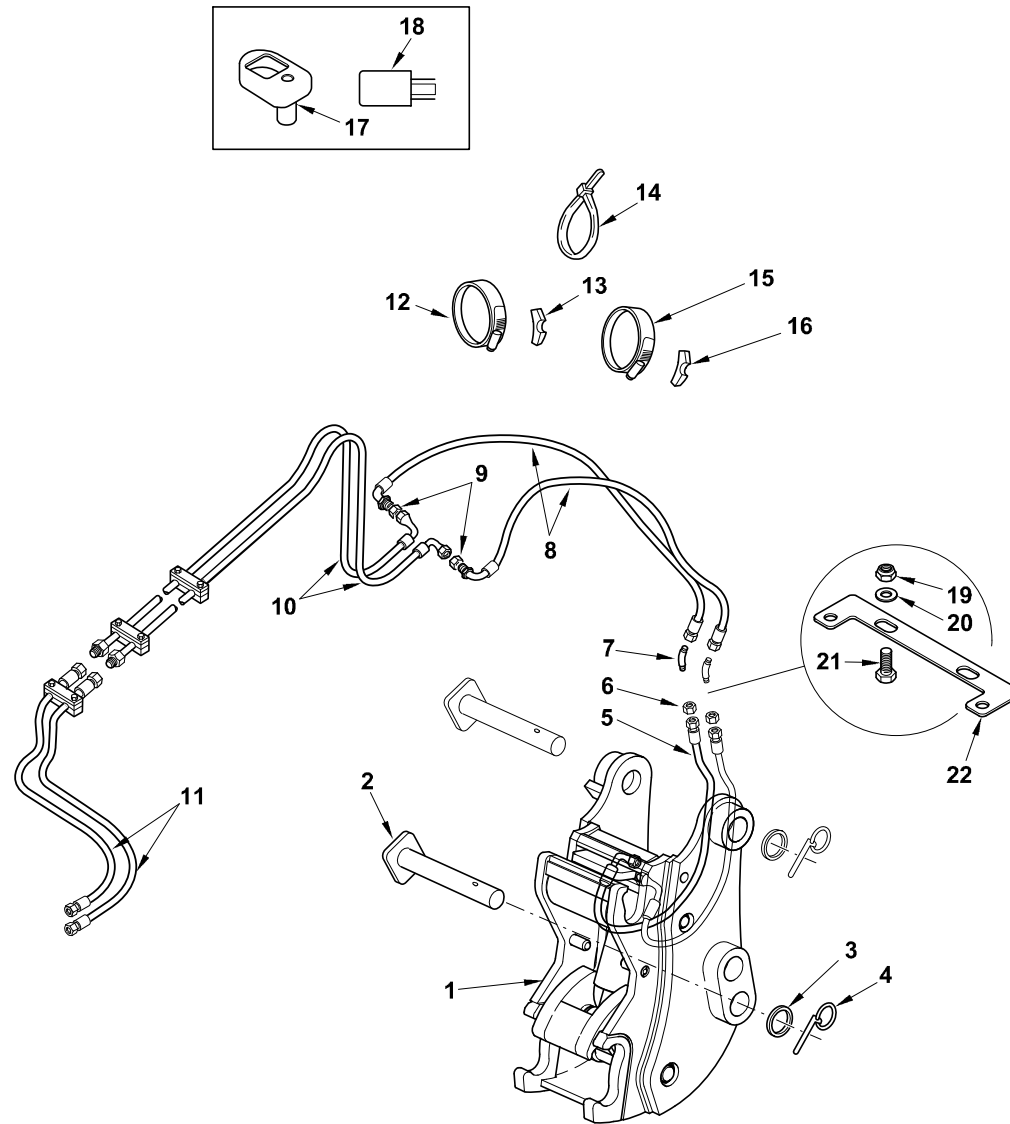
Item	Part No.	Qty.	English	French	German	Spanish	Remarks
1	6106011M91	1	Valve-Digger Quick Attach.	Électrovalve	Magnetventil	Electroválvula	90026c02.1 5
2	#BODY	1	Body	Body	Body	Body	Ref. 1
3	6193020M91	1	Cartridge Assy	Cartouche Ass.	Einsatz Kplt	Solenoido, Conj.	
4	#NUT	1	Nut	Ecrou	Mutter	Tuerca	Ref. 3
5	#CARTRIDGE	1	Cartridge	Cartridge	Cartridge	Cartridge	Ref. 3
6	6193022M91	1	Kit Seal	Jeu Étanchéité	Dichtringsatz	Juego De Juntas	
7	6191096M91	1	Coil Assy.	Bobine	Wicklung, Spule	Bobina	
8	6193021M1	1	Restrictor	Réduction	Reduzierstück	Reducción	





Item	Part No.	Qty.	English	French	German	Spanish	Remarks
1	T101115	1	Miller Q/A Assy - Fully Hydraulic (Fabricated)	Ensem. D'attel. Rapide	Schnellkupplung Kpl.	Egan. Rapido, Conj.	
2	T101175	1	Latch Pin	Goupille	Bolzen	Pasador	
3	T101169	2	Arm Hinge	Charniere	Scharnier	Bisagra	
4	T101171	1	Arm LH	Bras - LH	Arm - LH	Brazo - LH	
5	6106088M91	1	Connector, Hydraulic	Borne	Doppelnippel	Conector	
6	358741X91	1	Union, Hydr.	Raccord	Verschraubung	Racor	
7	T101173	1	Front Latch	Verrou	Riegel	Cerrojo	
8	T101181	2	Roll Pin	Goupille Roulee	Spannhulse	Pasador Elastico	
9	T101182	3	Grease Nipple - Miller Hydraulic Q/A	Graisseur Coude	Nippel	Niple	
10	T101174	1	Cylinder Assy - Miller Hydraulic Q/A	Cylindre	Zylinder	Cilindro	
11	T101172	1	Arm RH	Bras - RH	Arm - RH	Brazo - RH	
12	T101170	1	Hook Assy	Crochet	Haken	Gancho	
13	T101178	1	Rod Pin	Goupille	Bolzen	Pasador	
14	T101179	4	Retaining Ring	Reteneur	Haltering	Retenedor	
15	T101176	1	Arm Pin	Goupille	Bolzen	Pasador	
16	T101180	2	Retaining Ring	Reteneur	Haltering	Retenedor	
17	T101177	1	Hook Pin	Goupille	Bolzen	Pasador	
18	T101167	1	Body Assy - Miller Hydraulic Q/A	Corps	Korper	Cuerpo	

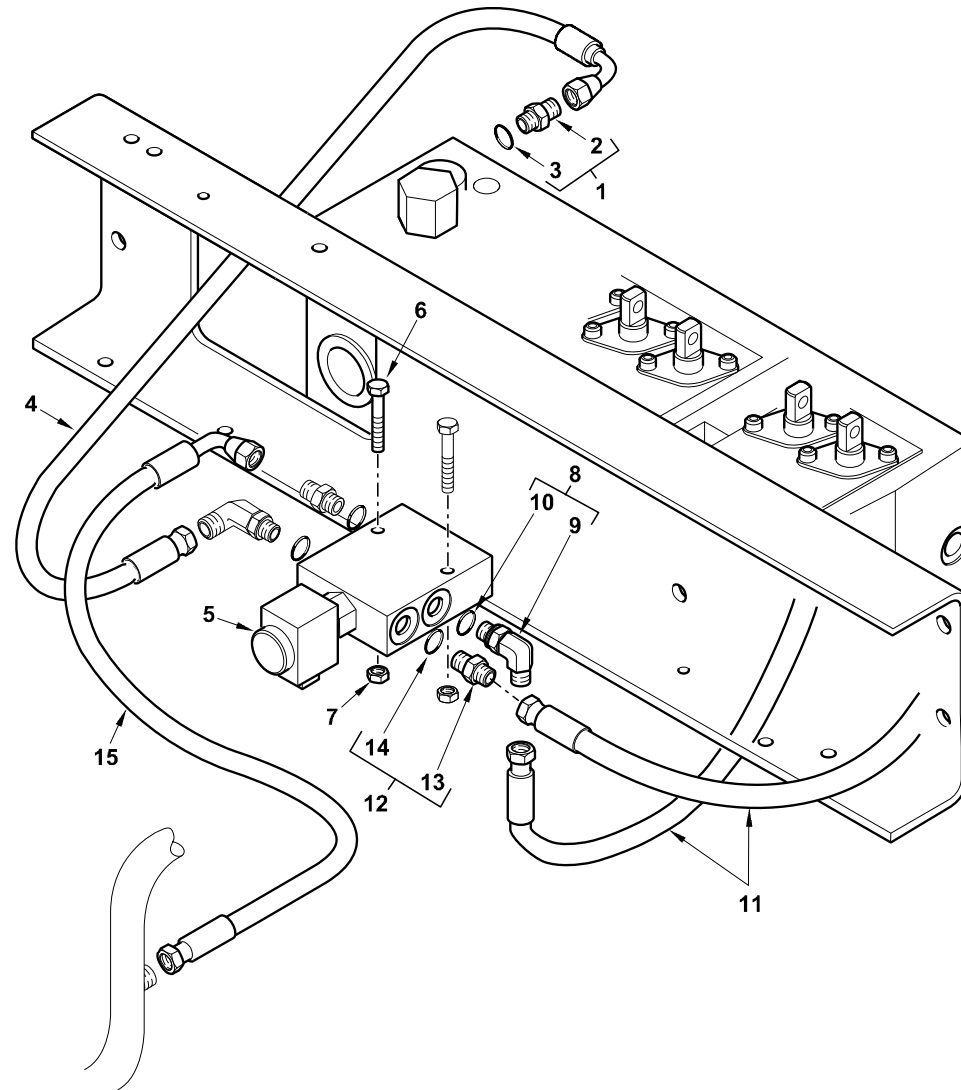
C-90027-01.1-A



Item	Part No.	Qty.	English	French	German	Spanish	Remarks
1	T101115	1	Miller Q/A Assy - Fully Hydraulic (Fabricated)	Ensem. D'attel. Rapide	Schnellkupplung Kpl.	Egan. Rapido, Conj.	
2	3516519M94	2	Pin & Plate 45-322,5	Axe	Bolzen	Pasador	
3	3501790M1	2	Washer M46-65-5 Z	Rondelle	Scheibe	Arandela	
4	3516522M91	2	Pin Safety Linch	Goupille D'Arrêt	Klappstecker	Pasador De Parada	
5	T101116	2	Hose Assy - Fully Hydraulic Q/A	Ensemble Durit	Schlauch Kpl	Con. De Manguera	
6	356612X1	2	Nut 7/16" Unf	Ecrou Unf	Mutter 7/16" Unf	Tuerca	
7	371089X1	2	Elbow 45 Deg	Coude, 45	Kniestück, 45°	Codo, 45°	
8	6102922M92	2	Hose-Miller Q/Attach Hyd.	Ensemble Durit	Schlauch Kpl	Flexible, Conj.	
9	356612X1	2	Nut 7/16" Unf	Ecrou Unf	Mutter 7/16" Unf	Tuerca	
10	3521945M95	1	Hose Assy. - Digger Quick Attach	Flexible Ass.	Schlauch Kpl	Flexible, Conj.	Yellow
10	6111272M91	1	Hose Assembly - Q/Attach Boom	Ensemble Durit	Schlauch Kpl	Flexible, Conj.	Black
11	#HOSE ASSY	2	Hose Assy	Hose Assy	Hose Assy	Hose Assy	90027c02.1 11
12	3517732M1	1	Clip, Hose	Collier Durit	Schlauchschele	Argolla De Fijación	
13	D142787	1	Saddle (See 142787d)	Selle	Sattel	Bloque De Caucho	
14	1664405M1	6	Tie Mm T50s	Attache Cable	Kabelbinder	Enlace De Cable	
15	3517731M1	1	Clamp-Hose	Bride Pour Tutaux	Schlauchschele	Argolla De Fijación	
16	D142787	1	Saddle (See 142787d)	Selle	Sattel	Bloque De Caucho	
17	6101777M91	1	Cover Assy. - Switch Operating	Cache	Abdeckung	Tapa	
18	6102490M1	1	Relay-Micro	Relais	Relais	Relé	
19	1440329X1	2	Nut, Hex. - Nyloc, M10	Ecrou Blocage	Flachmutter M10	Tuerca De Retención	
20	390597X1	2	Washer, Large - M10	Rondelle	Scheible	Arandela	
21	3009492X1	2	Bolt - Hex. M10 X 25	Boulon M10 X 25	Schraube M10 X 25	Tornillo	
22	6112498M1	1	Bracket	Support Fixation	Haltearm	Pata De Fijación	



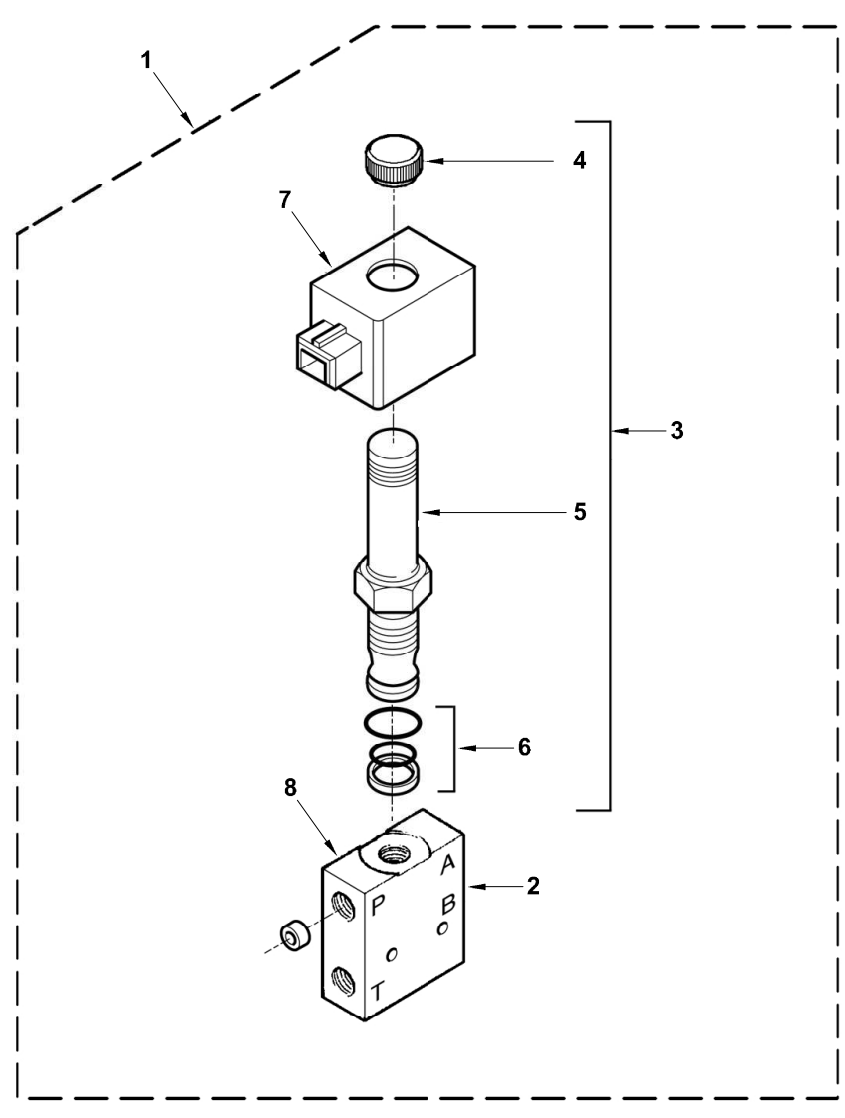
C-90027-02.1-A



Item	Part No.	Qty.	English	French	German	Spanish	Remarks
1	365830X91	1	Connector	Adaptateur	Reduziernippel	Unión	
2	#UNION	1	Union	Union	Union	Union	Ref. 1
3	#O-RING	1	O-Ring	Joint Torique	O-Ring	Junta Tórica	
4	6109910M91	1	Hose Assy - Q/A Feed	Flexible Ass.	Schlauch Kpl	Flexible, Conj.	
5	6106011M91	1	Valve-Digger Quick Attach.	Électrovalve	Magnetventil	Electroválvula	90027c03.1
6	391244X1	2	Bolt M6-45 Z5s	Goupille	Bolzen - M6 X 45	Perno	
7	1441500X1	2	Nut M6 Z5 Nyloc	Ecrou	Flachmutter M6	Tuerca De Retención	
8	370807X91	2	Elbow 90 7/16jic9/16or	Coude, 90	Kniestück, 90°	Codo, 90°	
9	#ELBOW	1	Elbow	Elbow	Elbow	Elbow	Ref. 8
10	831452M1	1	O Ring (Pack Of 10)	Joint Torique	O Ring	Junta De Tipo O	
11	3519882M92	2	Hose-(Cm Kit) Q/Attach	Flexible	Schlauch	Flexible, Conj.	
12	365065X91	2	Connector 7/16x9/16	Borne	Doppelnippel	Unión	
13	#UNION	1	Union	Union	Union	Union	Ref. 12
14	831452M1	1	O Ring (Pack Of 10)	Joint Torique	O Ring	Junta De Tipo O	
15	3519226M91	1	Hose Assy	Flexible Ass.	Schlauch Kpl	Flexible, Conj.	

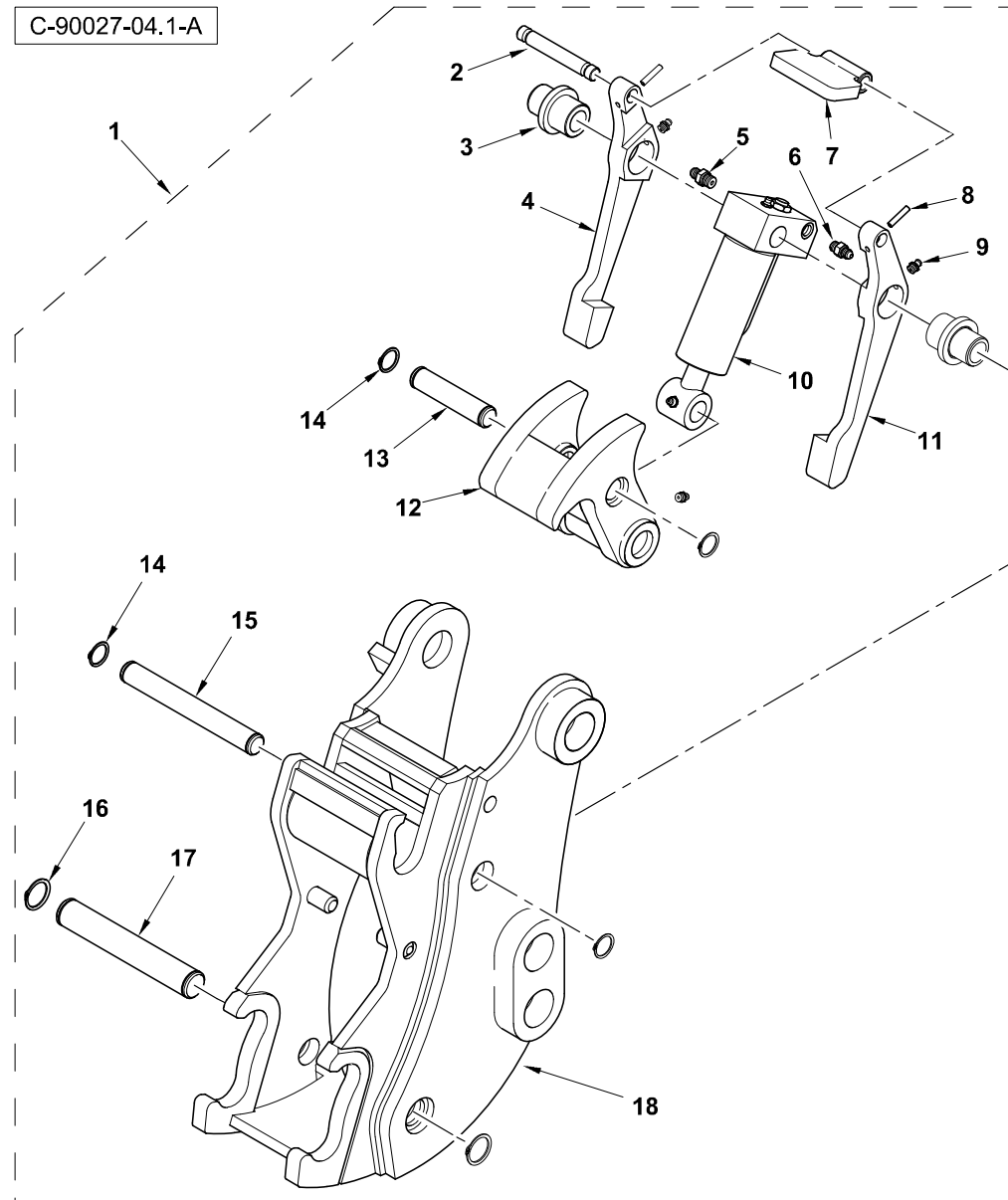


C-90027-03.1-A



Item	Part No.	Qty.	English	French	German	Spanish	Remarks
1	6106011M91	1	Valve-Digger Quick Attach.	Électrovalve	Magnetventil	Electroválvula	90027c02.1 5
2	#BODY	1	Body	Body	Body	Body	Ref. 1
3	6193020M91	1	Cartridge Assy	Cartouche Ass.	Einsatz Kplt	Solenoido, Conj.	
4	#NUT	1	Nut	Ecrou	Mutter	Tuerca	Ref. 3
5	#CARTRIDGE	1	Cartridge	Cartridge	Cartridge	Cartridge	Ref. 3
6	6193022M91	1	Kit Seal	Jeu Étanchéité	Dichtringsatz	Juego De Juntas	
7	6191096M91	1	Coil Assy.	Bobine	Wicklung, Spule	Bobina	
8	6193021M1	1	Restrictor	Réduction	Reduzierstück	Reducción	



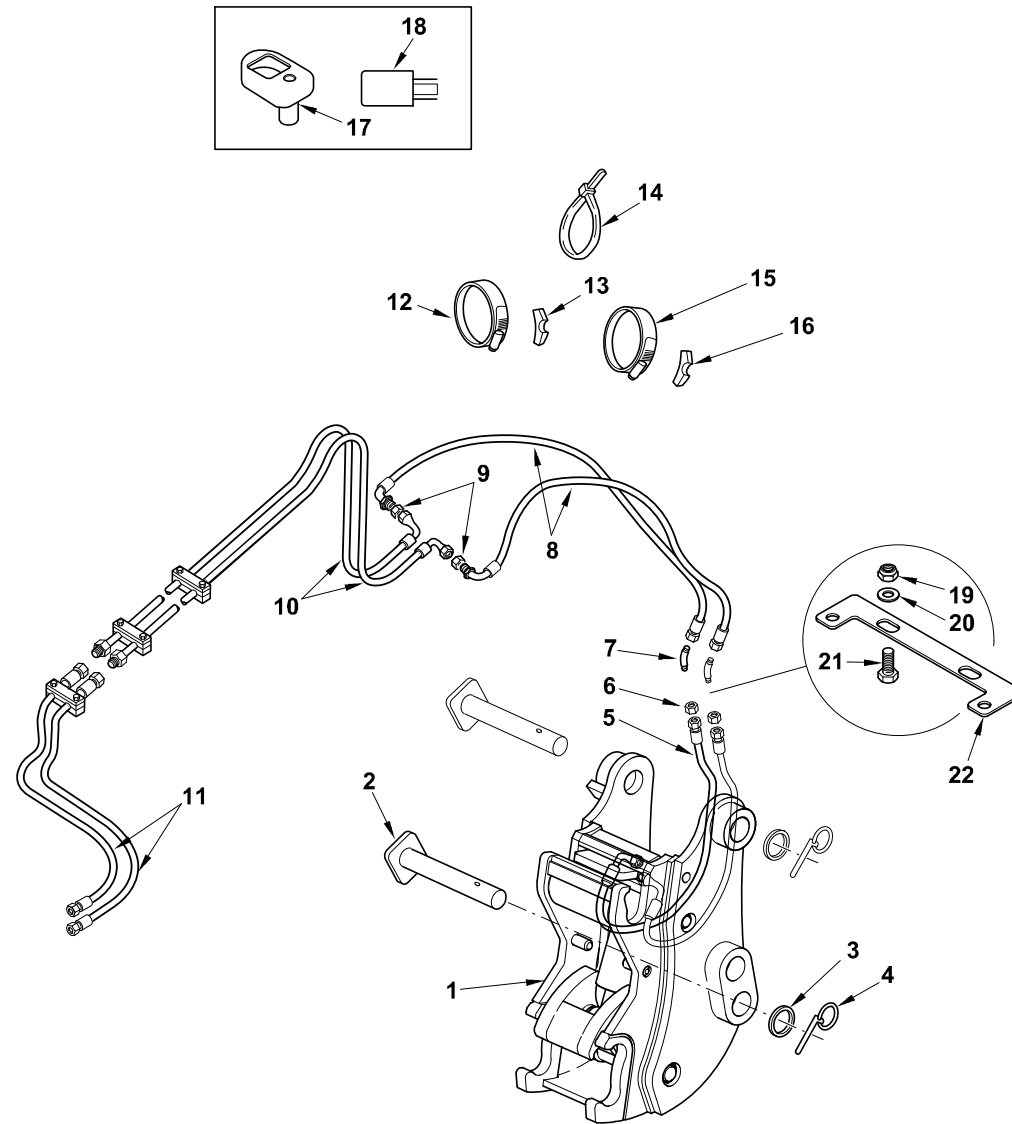




Item	Part No.	Qty.	English	French	German	Spanish	Remarks
1	T101115	1	Miller Q/A Assy - Fully Hydraulic (Fabricated)	Ensem. D'attel. Rapide	Schnellkupplung Kpl.	Engan. Rapido, Conj.	
2	T101175	1	Latch Pin	Goupille	Bolzen	Pasador	
3	T101169	2	Arm Hinge	Charniere	Scharnier	Bisagra	
4	T101171	1	Arm LH	Bras - LH	Arm - LH	Brazo - LH	
5	6106088M91	1	Connector, Hydraulic	Borne	Doppelnippel	Conector	
6	358741X91	1	Union, Hydr.	Raccord	Verschraubung	Racor	
7	T101173	1	Front Latch	Verrou	Riegel	Cerrojo	
8	T101181	2	Roll Pin	Goupille Roulee	Spannhulse	Pasador Elastico	
9	T101182	3	Grease Nipple - Miller Hydraulic Q/A	Graisseur Coude	Nippel	Niple	
10	T101174	1	Cylinder Assy - Miller Hydraulic Q/A	Cylindre	Zylinder	Cilindro	
11	T101172	1	Arm RH	Bras - RH	Arm - RH	Brazo - RH	
12	T101170	1	Hook Assy	Crochet	Haken	Gancho	
13	T101178	1	Rod Pin	Goupille	Bolzen	Pasador	
14	T101179	4	Retaining Ring	Reteneur	Haltering	Retenedor	
15	T101176	1	Arm Pin	Goupille	Bolzen	Pasador	
16	T101180	2	Retaining Ring	Reteneur	Haltering	Retenedor	
17	T101177	1	Hook Pin	Goupille	Bolzen	Pasador	
18	T101167	1	Body Assy - Miller Hydraulic Q/A	Corps	Korper	Cuerpo	



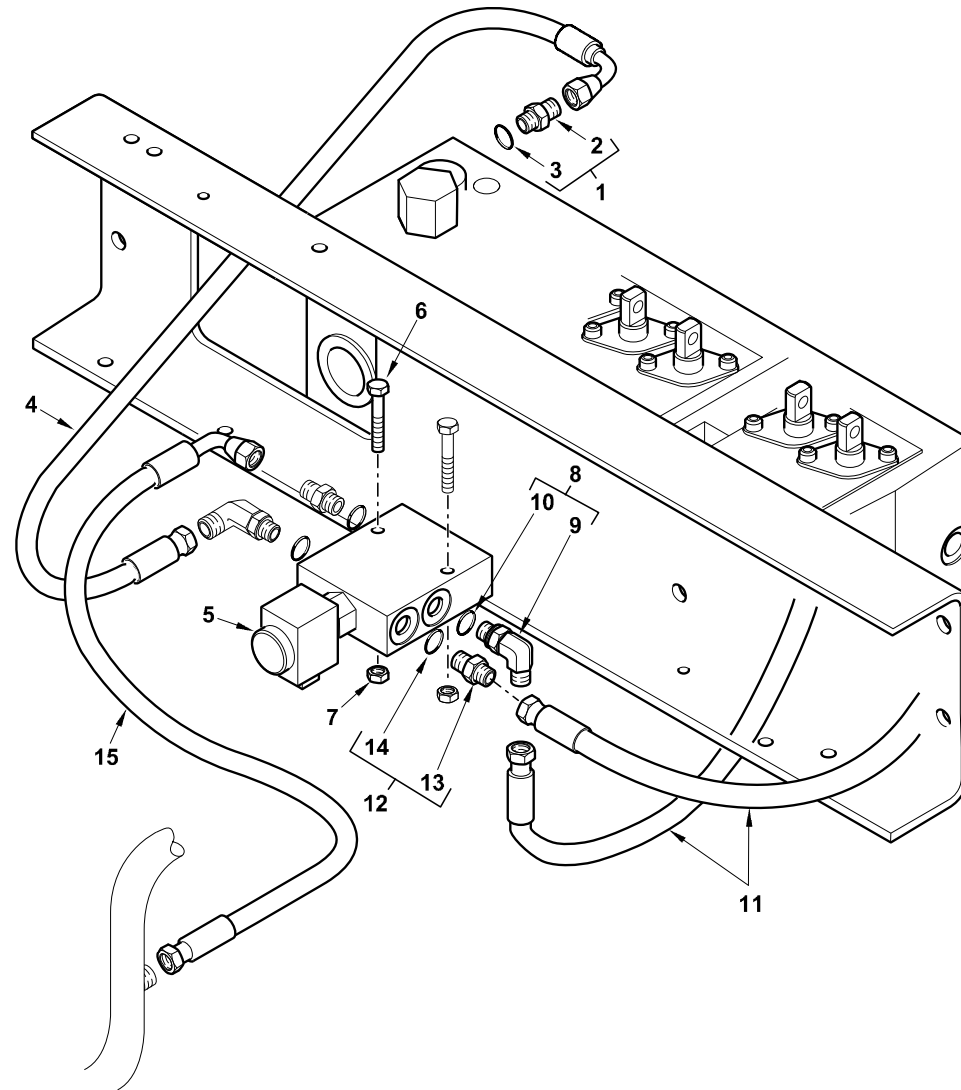
C-90028-01.1-A



Item	Part No.	Qty.	English	French	German	Spanish	Remarks
1	T101115	1	Miller Q/A Assy - Fully Hydraulic (Fabricated)	Ensem. D'attel. Rapide	Schnellkupplung Kpl.	Egan. Rapido, Conj.	
2	3516519M94	2	Pin & Plate 45-322,5	Axe	Bolzen	Pasador	
3	3501790M1	2	Washer M46-65-5 Z	Rondelle	Scheibe	Arandela	
4	3516522M91	2	Pin Safety Linch	Goupille D'Arrêt	Klappstecker	Pasador De Parada	
5	T101116	2	Hose Assy - Fully Hydraulic Q/A	Ensemble Durit	Schlauch Kpl	Con. De Manguera	
6	356612X1	2	Nut 7/16" Unf	Ecrou Unf	Mutter 7/16" Unf	Tuerca	
7	371089X1	2	Elbow 45 Deg	Coude, 45	Kniestück, 45°	Codo, 45°	
8	6102922M92	2	Hose-Miller Q/Attach Hyd.	Ensemble Durit	Schlauch Kpl	Flexible, Conj.	
9	356612X1	2	Nut 7/16" Unf	Ecrou Unf	Mutter 7/16" Unf	Tuerca	
10	3518145M91	2	Hose Assy	Flexible	Schlauch Kpl	Flexible, Conj.	
11	#HOSE ASSY	2	Hose Assy	Hose Assy	Hose Assy	Hose Assy	90028c02.1 11
12	3517732M1	1	Clip, Hose	Collier Durit	Schlauchschelle	Argolla De Fijación	
13	D142787	1	Saddle (See 142787d)	Selle	Sattel	Bloque De Caucho	
14	1664405M1	6	Tie Mm T50s	Attache Cable	Kabelbinder	Enlace De Cable	
15	3517731M1	1	Clamp-Hose	Bride Pour Tutaux	Schlauchschelle	Argolla De Fijación	
16	D142787	1	Saddle (See 142787d)	Selle	Sattel	Bloque De Caucho	
17	6101777M91	1	Cover Assy. - Switch Operating	Cache	Abdeckung	Tapa	
18	6102490M1	1	Relay-Micro	Relais	Relais	Relé	
19	1440329X1	2	Nut, Hex. - Nyloc, M10	Ecrou Blocage	Flachmutter M10	Tuerca De Retención	
20	390597X1	2	Washer, Large - M10	Rondelle	Scheible	Arandela	
21	3009492X1	2	Bolt - Hex. M10 X 25	Boulon M10 X 25	Schraube M10 X 25	Tornillo	
22	6112498M1	1	Bracket	Support Fixation	Haltearm	Pata De Fijación	



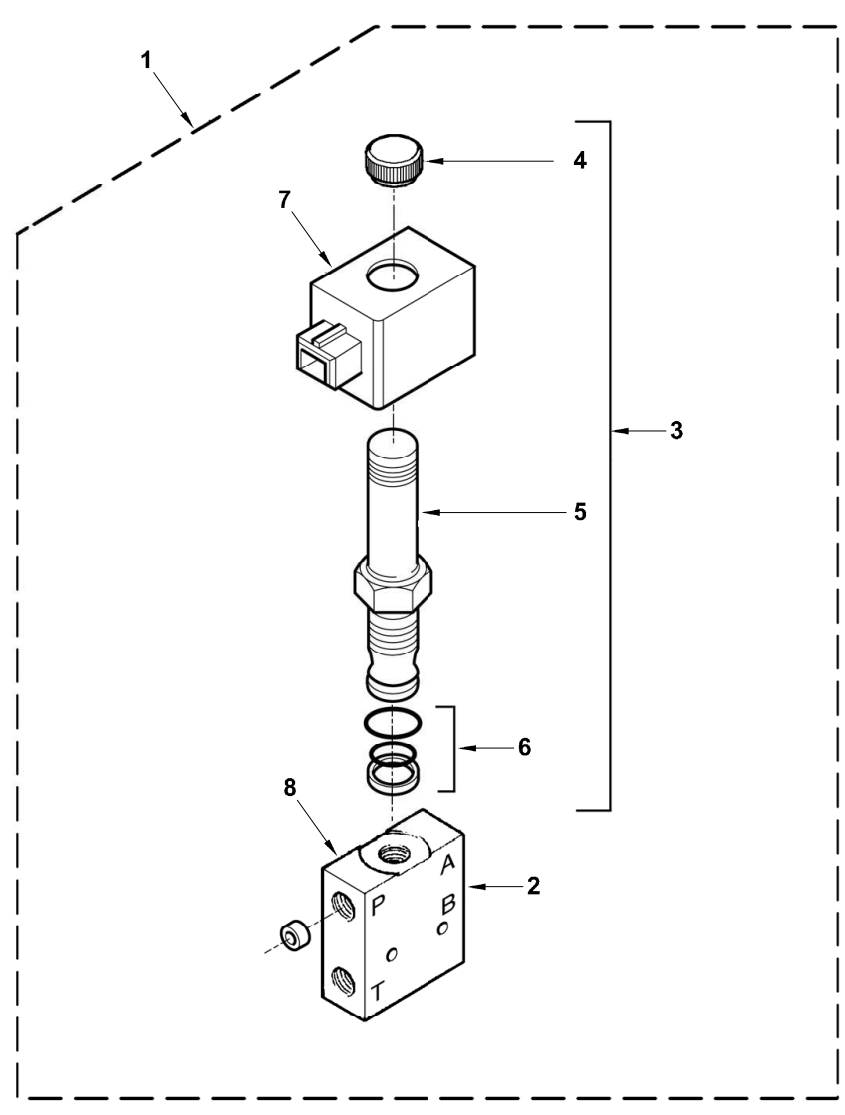
C-90028-02.1-A



Item	Part No.	Qty.	English	French	German	Spanish	Remarks
1	365830X91	1	Connector	Adaptateur	Reduziernippel	Unión	
2	#UNION	1	Union	Union	Union	Union	Ref. 1
3	#O-RING	1	O-Ring	Joint Torique	O-Ring	Junta Tórica	
4	6109910M91	1	Hose Assy - Q/A Feed	Flexible Ass.	Schlauch Kpl	Flexible, Conj.	
5	6106011M91	1	Valve-Digger Quick Attach.	Électrovalve	Magnetventil	Electroválvula	90028c03.1
6	391244X1	2	Bolt M6-45 Z5s	Goupille	Bolzen - M6 X 45	Perno	
7	1441500X1	2	Nut M6 Z5 Nyloc	Ecrou	Flachmutter M6	Tuerca De Retención	
8	370807X91	2	Elbow 90 7/16jic9/16or	Coude, 90	Kniestück, 90°	Codo, 90°	
9	#ELBOW	1	Elbow	Elbow	Elbow	Elbow	Ref. 8
10	831452M1	1	O Ring (Pack Of 10)	Joint Torique	O Ring	Junta De Tipo O	
11	3519882M92	2	Hose-(Cm Kit) Q/Attach	Flexible	Schlauch	Flexible, Conj.	
12	365065X91	2	Connector 7/16x9/16	Borne	Doppelnippel	Unión	
13	#UNION	1	Union	Union	Union	Union	Ref. 12
14	831452M1	1	O Ring (Pack Of 10)	Joint Torique	O Ring	Junta De Tipo O	
15	3519226M91	1	Hose Assy	Flexible Ass.	Schlauch Kpl	Flexible, Conj.	

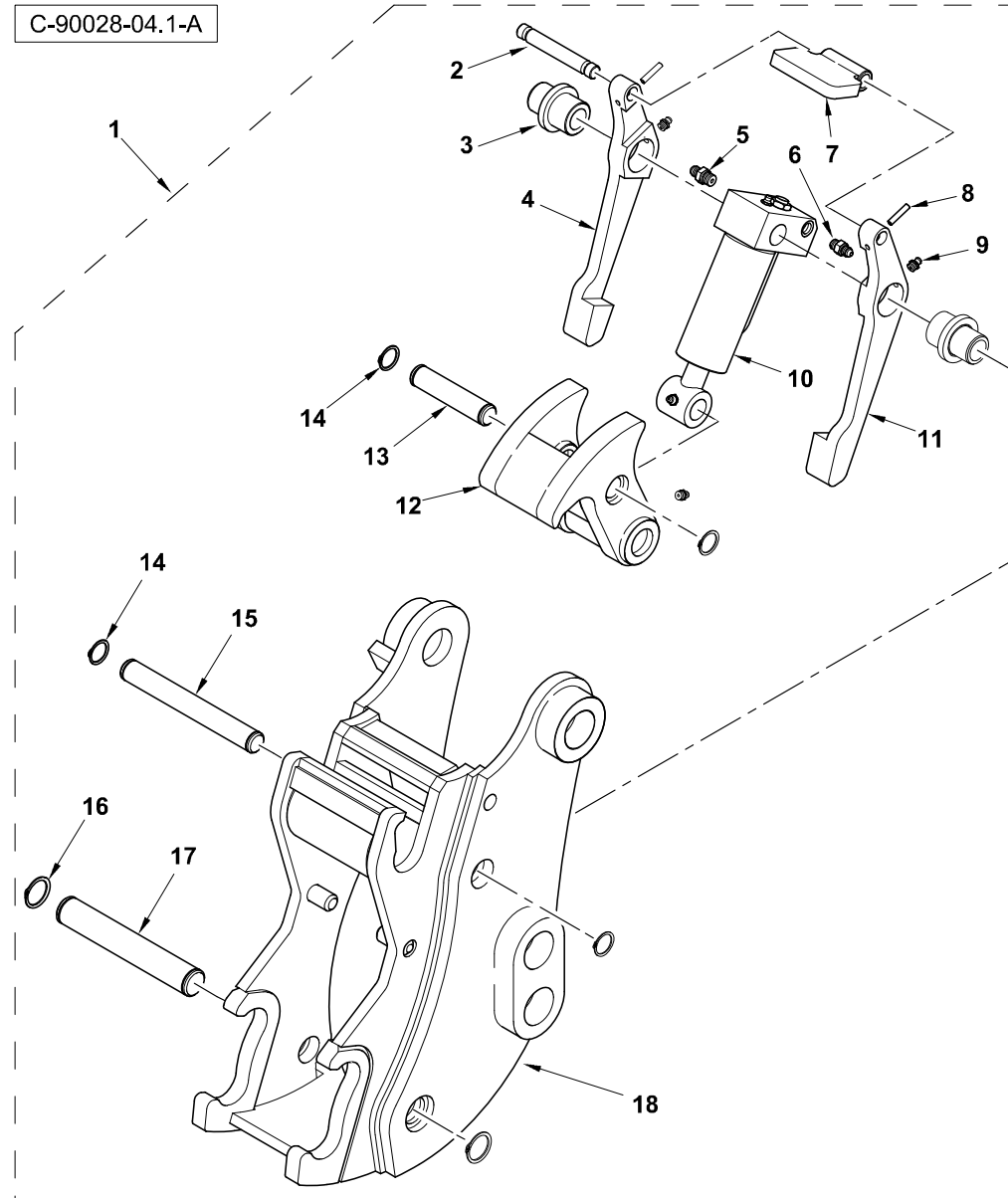


C-90028-03.1-A



Item	Part No.	Qty.	English	French	German	Spanish	Remarks
1	6106011M91	1	Valve-Digger Quick Attach.	Électrovalve	Magnetventil	Electroválvula	90028c02.1 5
2	#BODY	1	Body	Body	Body	Body	Ref. 1
3	6193020M91	1	Cartridge Assy	Cartouche Ass.	Einsatz Kplt	Solenoido, Conj.	
4	#NUT	1	Nut	Ecrou	Mutter	Tuerca	Ref. 3
5	#CARTRIDGE	1	Cartridge	Cartridge	Cartridge	Cartridge	Ref. 3
6	6193022M91	1	Kit Seal	Jeu Étanchéité	Dichtringsatz	Juego De Juntas	
7	6191096M91	1	Coil Assy.	Bobine	Wicklung, Spule	Bobina	
8	6193021M1	1	Restrictor	Réduction	Reduzierstück	Reducción	

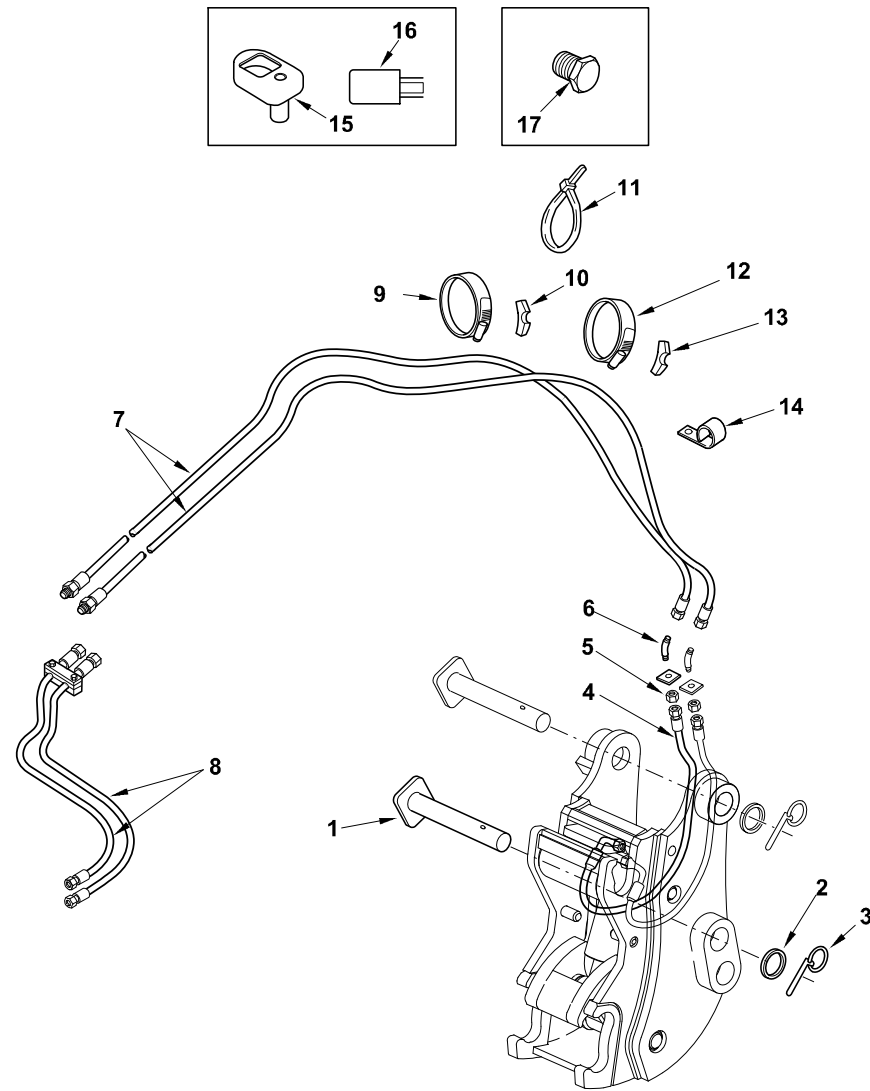






Item	Part No.	Qty.	English	French	German	Spanish	Remarks
1	T101115	1	Miller Q/A Assy - Fully Hydraulic (Fabricated)	Ensem. D'attel. Rapide	Schnellkupplung Kpl.	Egan. Rapido, Conj.	
2	T101175	1	Latch Pin	Goupille	Bolzen	Pasador	
3	T101169	2	Arm Hinge	Charniere	Scharnier	Bisagra	
4	T101171	1	Arm LH	Bras - LH	Arm - LH	Brazo - LH	
5	6106088M91	1	Connector, Hydraulic	Borne	Doppelnippel	Conector	
6	358741X91	1	Union, Hydr.	Raccord	Verschraubung	Racor	
7	T101173	1	Front Latch	Verrou	Riegel	Cerrojo	
8	T101181	2	Roll Pin	Goupille Roulee	Spannhulse	Pasador Elastico	
9	T101182	3	Grease Nipple - Miller Hydraulic Q/A	Graisseur Coude	Nippel	Niple	
10	T101174	1	Cylinder Assy - Miller Hydraulic Q/A	Cylindre	Zylinder	Cilindro	
11	T101172	1	Arm RH	Bras - RH	Arm - RH	Brazo - RH	
12	T101170	1	Hook Assy	Crochet	Haken	Gancho	
13	T101178	1	Rod Pin	Goupille	Bolzen	Pasador	
14	T101179	4	Retaining Ring	Reteneur	Haltering	Retenedor	
15	T101176	1	Arm Pin	Goupille	Bolzen	Pasador	
16	T101180	2	Retaining Ring	Reteneur	Haltering	Retenedor	
17	T101177	1	Hook Pin	Goupille	Bolzen	Pasador	
18	T101167	1	Body Assy - Miller Hydraulic Q/A	Corps	Korper	Cuerpo	

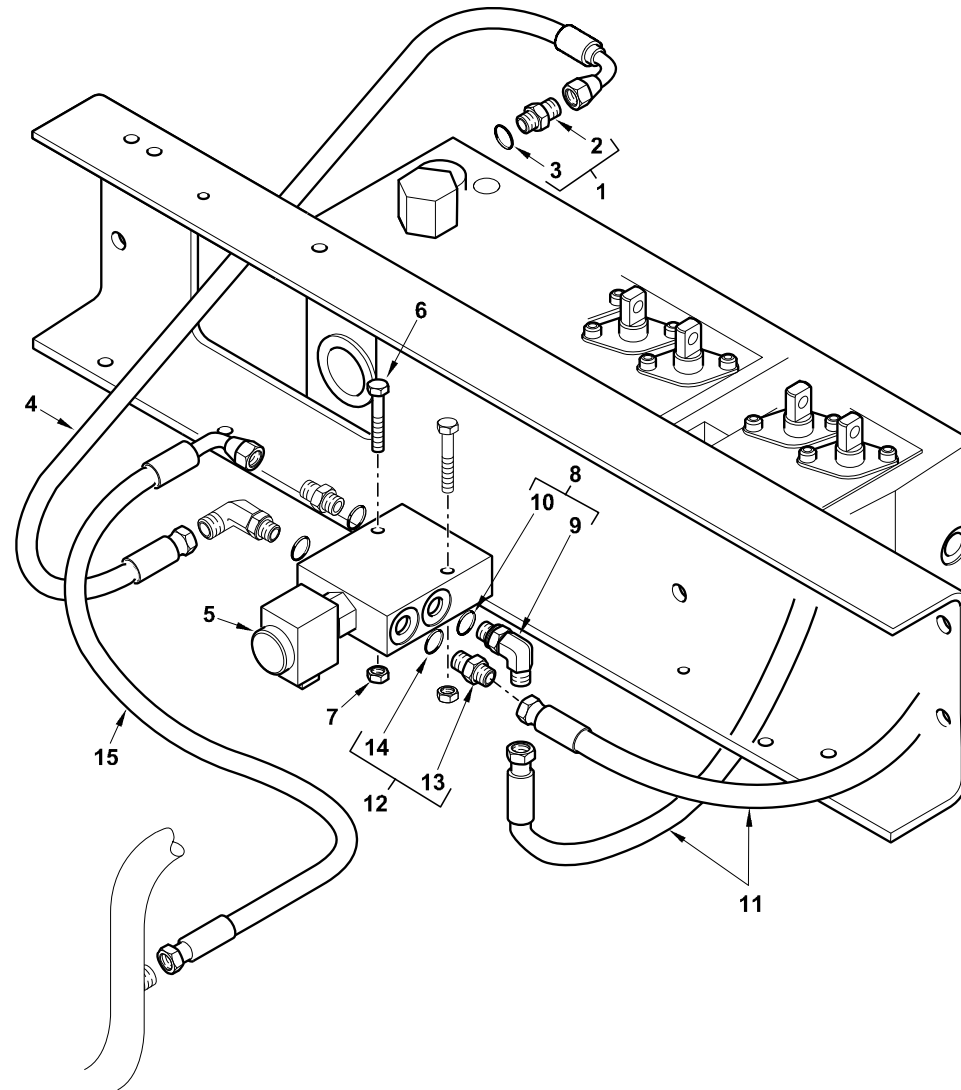
C-90029-01.1-A



Item	Part No.	Qty.	English	French	German	Spanish	Remarks
1	3516519M94	2	Pin & Plate 45-322,5	Axe	Bolzen	Pasador	
2	3501790M1	2	Washer M46-65-5 Z	Rondelle	Scheibe	Arandela	
3	3516522M91	2	Pin Safety Linch	Goupille D´Arrêt	Klappstecker	Pasador De Parada	
4	T101116	2	Hose Assy - Fully Hydraulic Q/A	Ensemble Durit	Schlauch Kpl	Con. De Manguera	
5	356612X1	2	Nut 7/16" Unf	Ecrou Unf	Mutter 7/16" Unf	Tuerca	
6	371089X1	2	Elbow 45 Deg	Coude, 45	Kniestück, 45°	Codo, 45°	
7	6106086M91	2	Hose-Miller Q/Attach Hyd.	Flexible Ass.	Schlauch Kpl	Flexible, Conj.	
8	#HOSE ASSY	2	Hose Assy	Hose Assy	Hose Assy	Hose Assy	90029c02.1 11
9	3517732M1	1	Clip, Hose	Collier Durit	Schlauchschelle	Argolla De Fijación	
10	D142787	1	Saddle (See 142787d)	Selle	Sattel	Bloque De Caucho	
11	1664405M1	6	Tie Mm T50s	Attache Cable	Kabelbinder	Enlace De Cable	
12	3517731M1	1	Clamp-Hose	Bride Pour Tutaux	Schlauchschelle	Argolla De Fijación	
13	D142787	1	Saddle (See 142787d)	Selle	Sattel	Bloque De Caucho	
14	515-22127	4	Clip-Coated P	Collier De Fixation	Befestigungsschelle	Argolla De Fijación	
15	6101777M91	1	Cover Assy. - Switch Operating	Cache	Abdeckung	Tapa	
16	6102490M1	1	Relay-Micro	Relais	Relais	Relé	
17	356577X1	2	Cap Blanking 7/16 Jic	Chapeau	Kappe	Sombrerete	



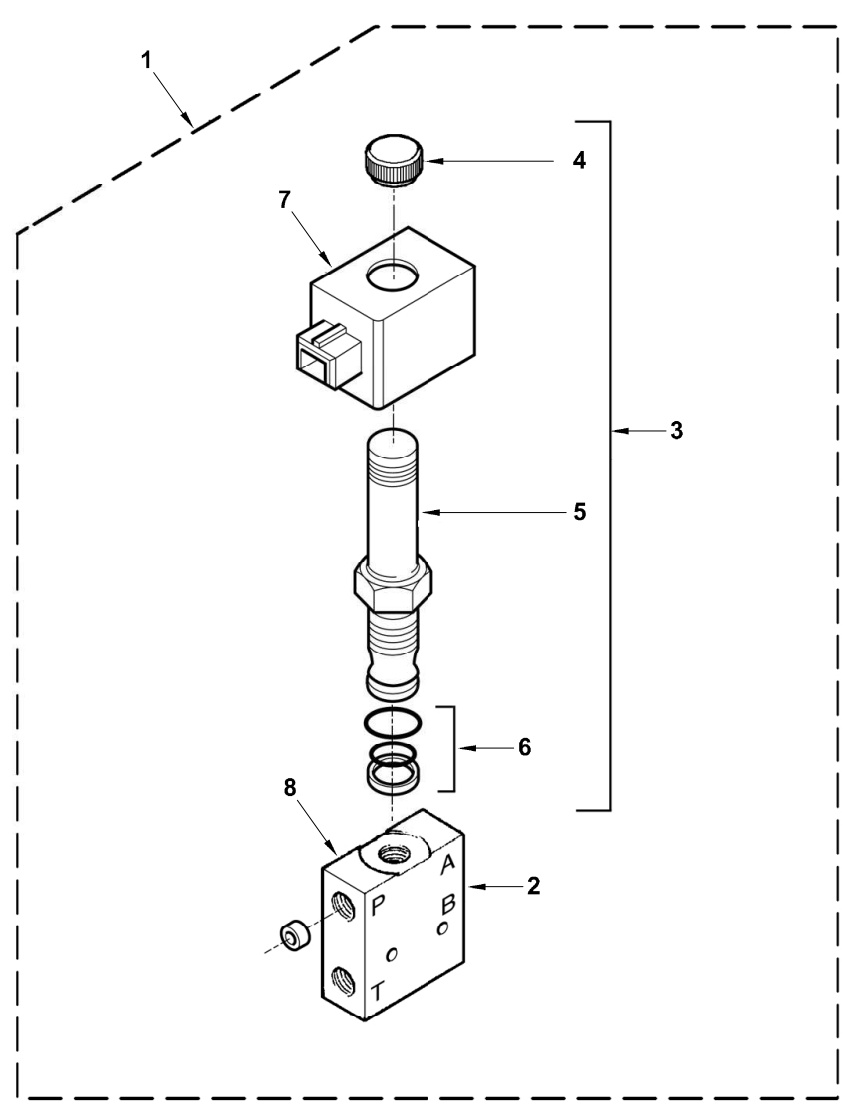
C-90029-02.1-A



Item	Part No.	Qty.	English	French	German	Spanish	Remarks
1	365830X91	1	Connector	Adaptateur	Reduziernippel	Unión	
2	#UNION	1	Union	Union	Union	Union	Ref. 1
3	#O-RING	1	O-Ring	Joint Torique	O-Ring	Junta Tórica	
4	6109910M91	1	Hose Assy - Q/A Feed	Flexible Ass.	Schlauch Kpl	Flexible, Conj.	
5	6106011M91	1	Valve-Digger Quick Attach.	Électrovalve	Magnetventil	Electroválvula	90029c03.1
6	391244X1	2	Bolt M6-45 Z5s	Goupille	Bolzen - M6 X 45	Perno	
7	1441500X1	2	Nut M6 Z5 Nyloc	Ecrou	Flachmutter M6	Tuerca De Retención	
8	370807X91	2	Elbow 90 7/16jic9/16or	Coude, 90	Kniestück, 90°	Codo, 90°	
9	#ELBOW	1	Elbow	Elbow	Elbow	Elbow	Ref. 8
10	831452M1	1	O Ring (Pack Of 10)	Joint Torique	O Ring	Junta De Tipo O	
11	6102806M91	1	Hose-Quick Attach	Flexible Ass.	Schlauch Kpl	Flexible, Conj.	Yellow
11	6111273M91	1	Hose Assembly - Q/Attach	Ensemble Durit	Schlauch Kpl	Flexible, Conj.	
12	365065X91	2	Connector 7/16x9/16	Borne	Doppelnippel	Unión	
13	#UNION	1	Union	Union	Union	Union	Ref. 12
14	831452M1	1	O Ring (Pack Of 10)	Joint Torique	O Ring	Junta De Tipo O	
15	3519226M91	1	Hose Assy	Flexible Ass.	Schlauch Kpl	Flexible, Conj.	



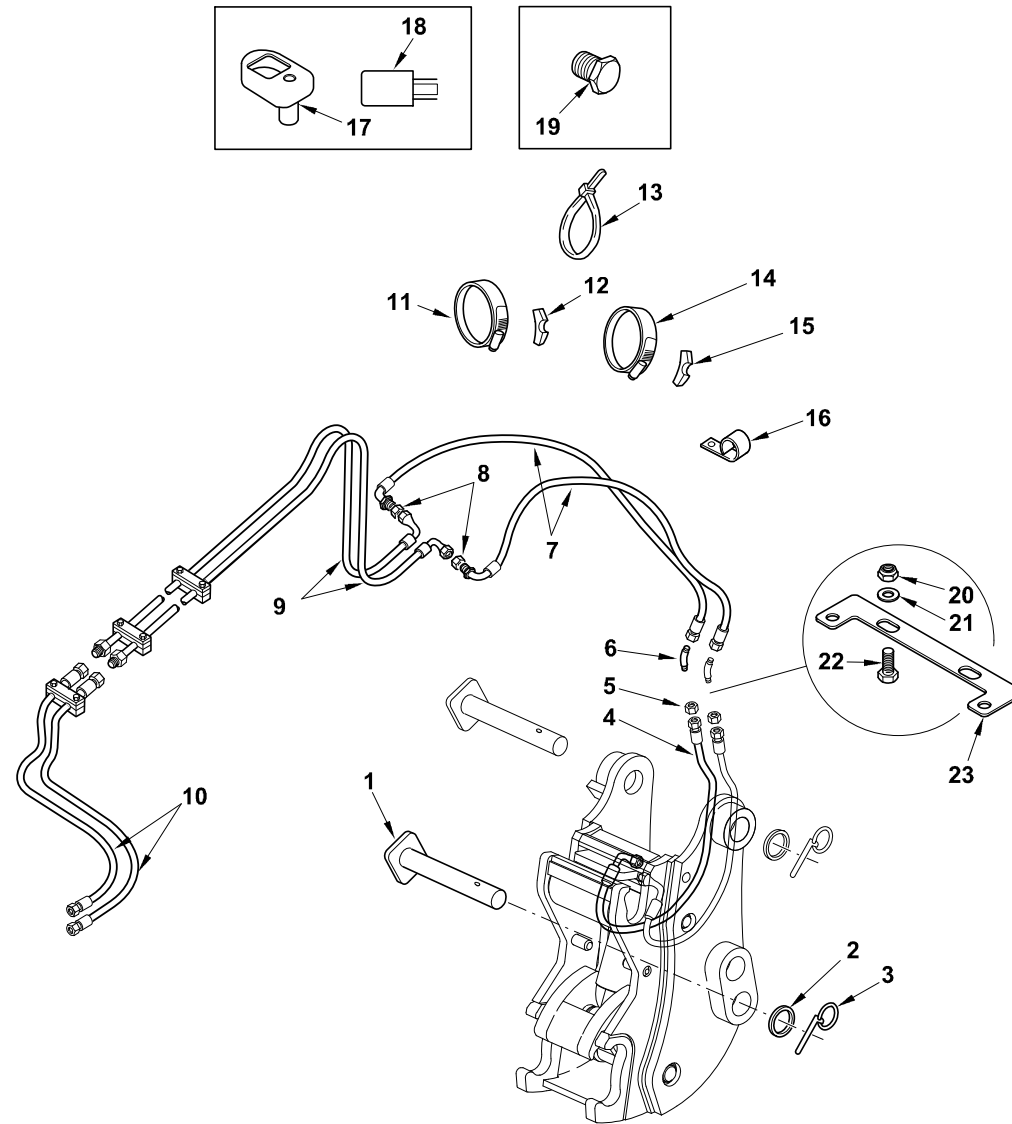
C-90029-03.1-A



Item	Part No.	Qty.	English	French	German	Spanish	Remarks
1	6106011M91	1	Valve-Digger Quick Attach.	Électrovalve	Magnetventil	Electroválvula	90029c02.1 5
2	#BODY	1	Body	Body	Body	Body	Ref. 1
3	6193020M91	1	Cartridge Assy	Cartouche Ass.	Einsatz Kplt	Solenoido, Conj.	
4	#NUT	1	Nut	Ecrou	Mutter	Tuerca	Ref. 3
5	#CARTRIDGE	1	Cartridge	Cartridge	Cartridge	Cartridge	Ref. 3
6	6193022M91	1	Kit Seal	Jeu Étanchéité	Dichtringsatz	Juego De Juntas	
7	6191096M91	1	Coil Assy.	Bobine	Wicklung, Spule	Bobina	
8	6193021M1	1	Restrictor	Réduction	Reduzierstück	Reducción	



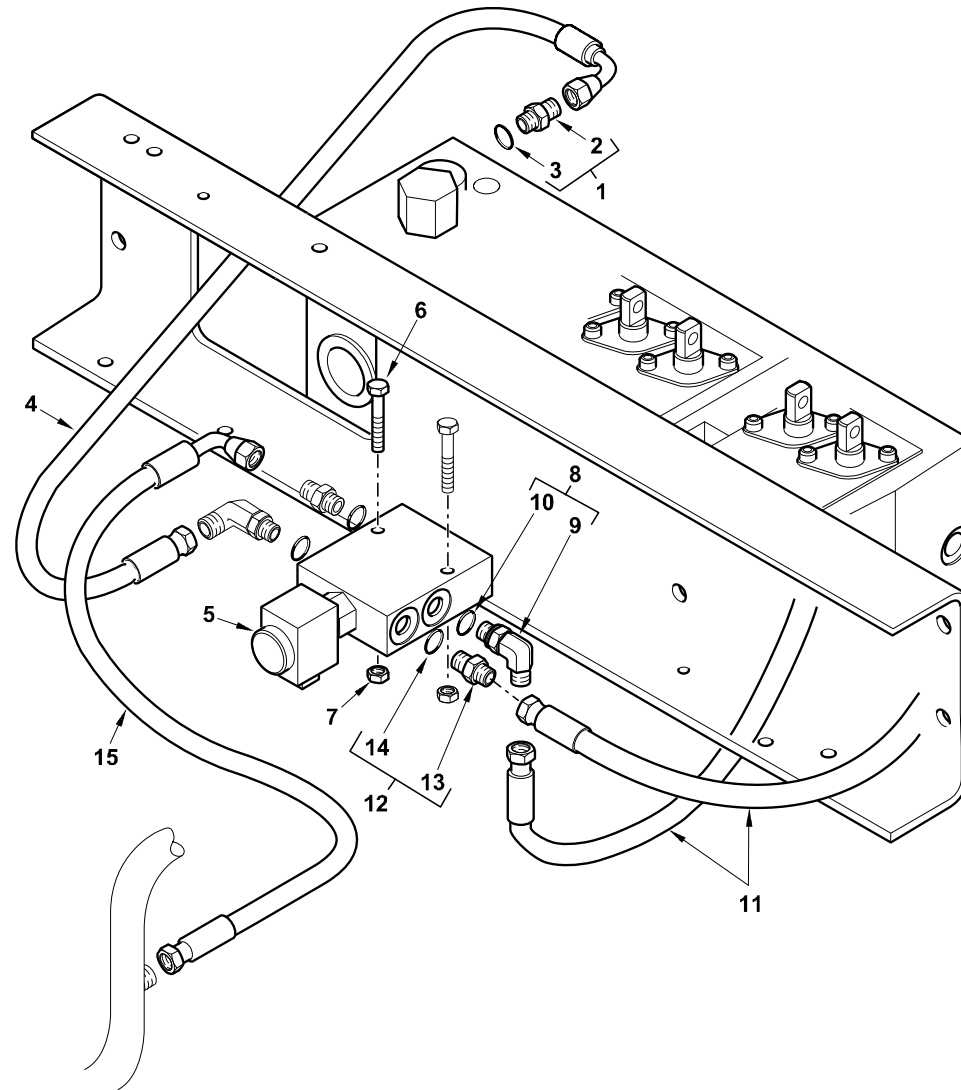
C-90030-01.1-A





Item	Part No.	Qty.	English	French	German	Spanish	Remarks
1	3516519M94	2	Pin & Plate 45-322,5	Axe	Bolzen	Pasador	
2	3501790M1	2	Washer M46-65-5 Z	Rondelle	Scheibe	Arandela	
3	3516522M91	2	Pin Safety Linch	Goupille D´ Arrêt	Klappstecker	Pasador De Parada	
4	T101116	2	Hose Assy - Fully Hydraulic Q/A	Ensemble Durit	Schlauch Kpl	Con. De Manguera	
5	356612X1	2	Nut 7/16" Unf	Ecrou Unf	Mutter 7/16" Unf	Tuerca	
6	371089X1	2	Elbow 45 Deg	Coude, 45	Kniestück, 45°	Codo, 45°	
7	6102922M92	2	Hose-Miller Q/Attach Hyd.	Ensemble Durit	Schlauch Kpl	Flexible, Conj.	
8	356612X1	2	Nut 7/16" Unf	Ecrou Unf	Mutter 7/16" Unf	Tuerca	
9	3521945M95	1	Hose Assy. - Digger Quick Attach	Flexible Ass.	Schlauch Kpl	Flexible, Conj.	Yellow
9	6111272M91	1	Hose Assembly - Q/Attach Boom	Ensemble Durit	Schlauch Kpl	Flexible, Conj.	Black
10	#HOSE ASSY	2	Hose Assy	Hose Assy	Hose Assy	Hose Assy	90030c02.1 11
11	3517732M1	1	Clip, Hose	Collier Durit	Schlauchschelle	Argolla De Fijación	
12	D142787	1	Saddle (See 142787d)	Selle	Sattel	Bloque De Caucho	
13	1664405M1	6	Tie Mm T50s	Attache Cable	Kabelbinder	Enlace De Cable	
14	3517731M1	1	Clamp-Hose	Bride Pour Tutaux	Schlauchschelle	Argolla De Fijación	
15	D142787	1	Saddle (See 142787d)	Selle	Sattel	Bloque De Caucho	
16	515-22127	4	Clip-Coated P	Collier De Fixation	Befestigungsschelle	Argolla De Fijación	
17	6101777M91	1	Cover Assy. - Switch Operating	Cache	Abdeckung	Tapa	
18	6102490M1	1	Relay-Micro	Relais	Relais	Relé	
19	356577X1	2	Cap Blanking 7/16 Jic	Chapeau	Kappe	Sombbrero	
20	1440329X1	2	Nut, Hex. - Nyloc, M10	Ecrou Blocage	Flachmutter M10	Tuerca De Retención	
21	390597X1	2	Washer, Large - M10	Rondelle	Scheibe	Arandela	
22	3009492X1	2	Bolt - Hex. M10 X 25	Boulon M10 X 25	Schraube M10 X 25	Tornillo	
23	6112498M1	1	Bracket	Support Fixation	Haltearm	Pata De Fijación	

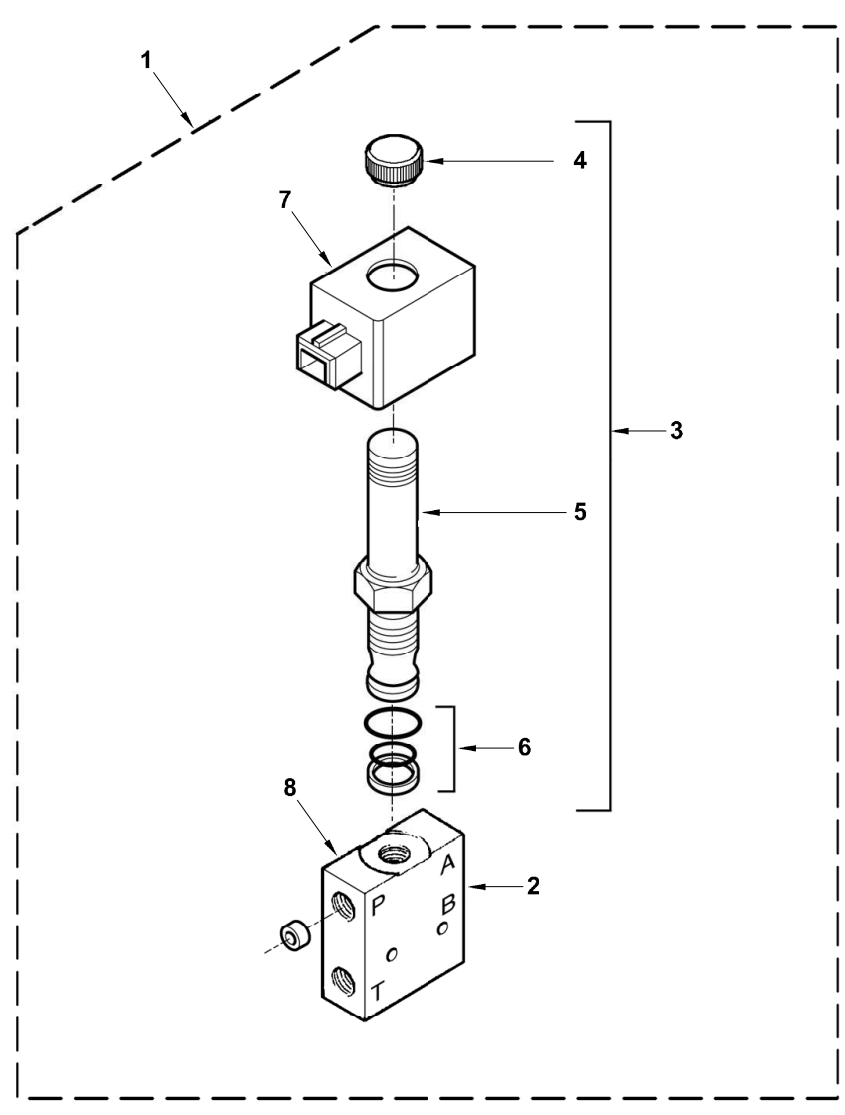
C-90030-02.1-A



Item	Part No.	Qty.	English	French	German	Spanish	Remarks
1	365830X91	1	Connector	Adaptateur	Reduziernippel	Unión	
2	#UNION	1	Union	Union	Union	Union	Ref. 1
3	#O-RING	1	O-Ring	Joint Torique	O-Ring	Junta Tórica	
4	6109910M91	1	Hose Assy - Q/A Feed	Flexible Ass.	Schlauch Kpl	Flexible, Conj.	
5	6106011M91	1	Valve-Digger Quick Attach.	Électrovalve	Magnetventil	Electroválvula	90030c03.1
6	391244X1	2	Bolt M6-45 Z5s	Goupille	Bolzen - M6 X 45	Perno	
7	1441500X1	2	Nut M6 Z5 Nyloc	Ecrou	Flachmutter M6	Tuerca De Retención	
8	370807X91	2	Elbow 90 7/16jic9/16or	Coude, 90	Kniestück, 90°	Codo, 90°	
9	#ELBOW	1	Elbow	Elbow	Elbow	Elbow	Ref. 8
10	831452M1	1	O Ring (Pack Of 10)	Joint Torique	O Ring	Junta De Tipo O	
11	6111273M91	1	Hose Assembly - Q/Attach	Ensemble Durit	Schlauch Kpl	Flexible, Conj.	
11	6102806M91	1	Hose-Quick Attach	Flexible Ass.	Schlauch Kpl	Flexible, Conj.	Yellow
12	365065X91	2	Connector 7/16x9/16	Borne	Doppelnippel	Unión	
13	#UNION	1	Union	Union	Union	Union	Ref. 12
14	831452M1	1	O Ring (Pack Of 10)	Joint Torique	O Ring	Junta De Tipo O	
15	3519226M91	1	Hose Assy	Flexible Ass.	Schlauch Kpl	Flexible, Conj.	

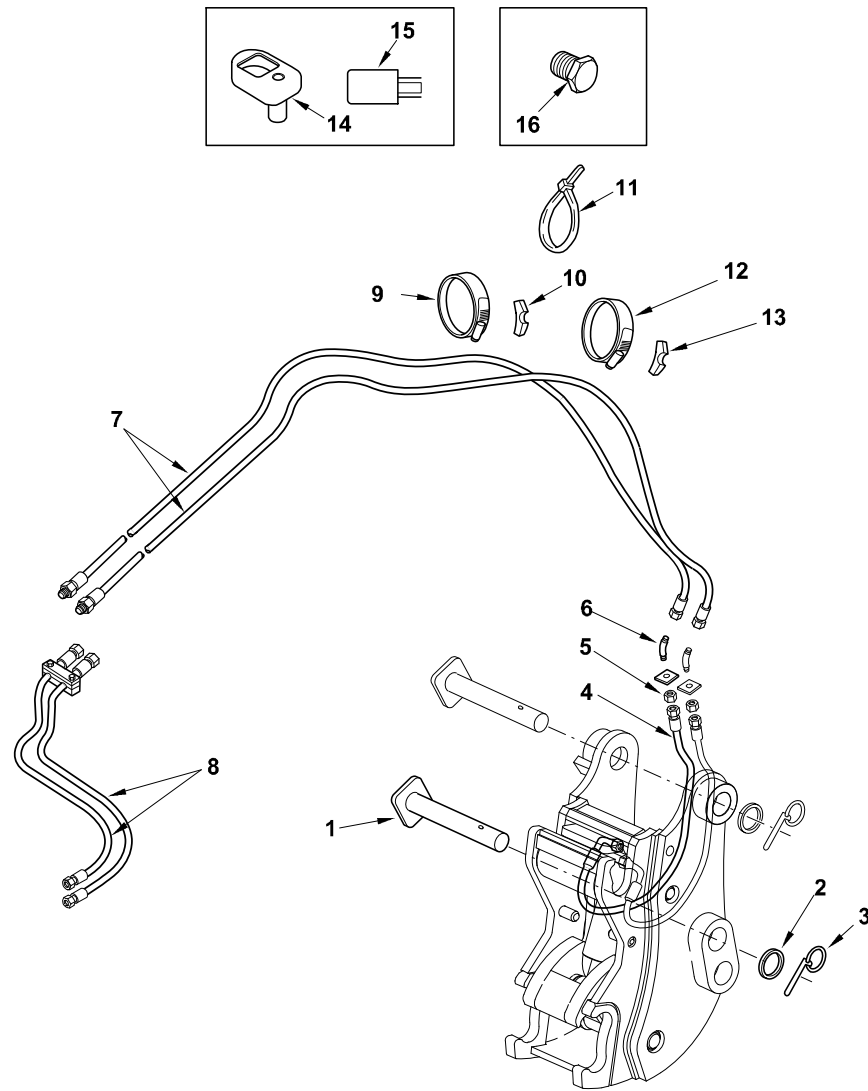


C-90030-03.1-A



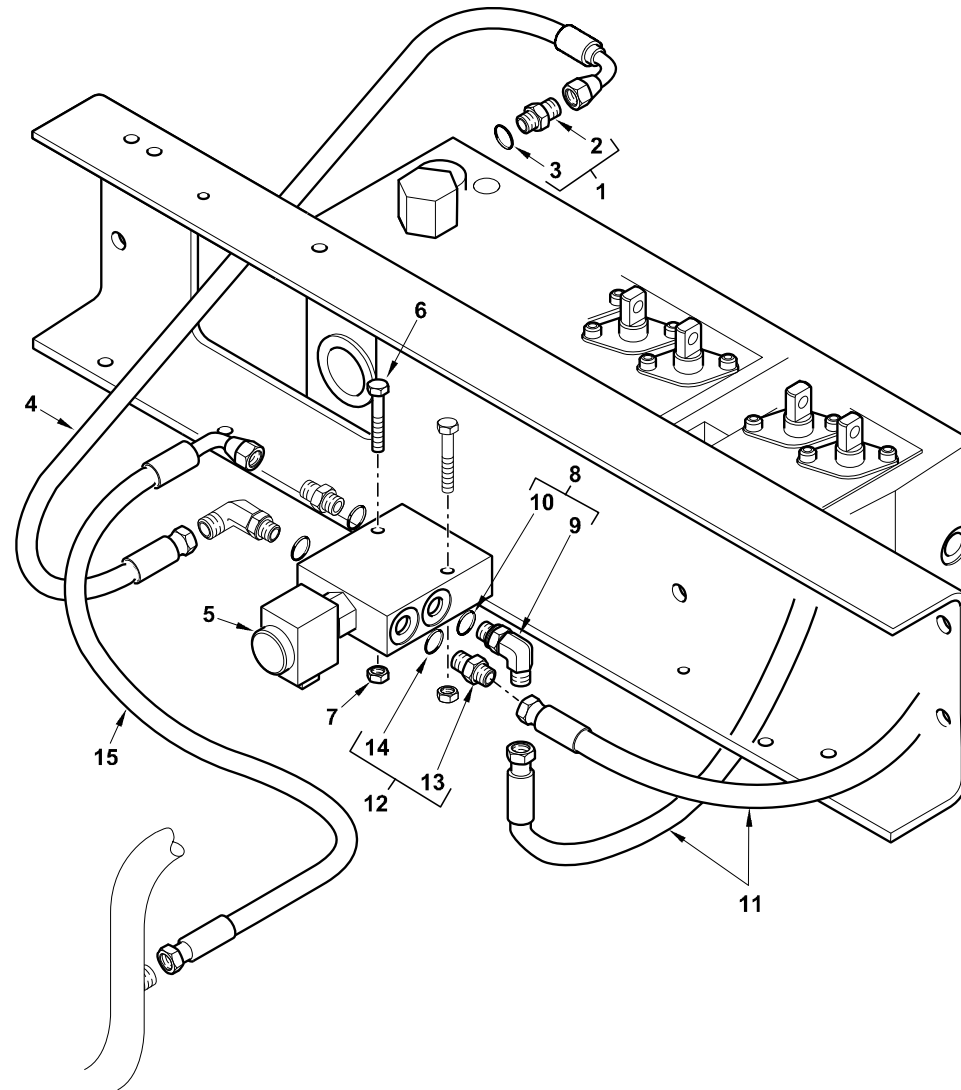
Item	Part No.	Qty.	English	French	German	Spanish	Remarks
1	6106011M91	1	Valve-Digger Quick Attach.	Électrovalve	Magnetventil	Electroválvula	90030c02.1 5
2	#BODY	1	Body	Body	Body	Body	Ref. 1
3	6193020M91	1	Cartridge Assy	Cartouche Ass.	Einsatz Kplt	Solenoido, Conj.	
4	#NUT	1	Nut	Ecrou	Mutter	Tuerca	Ref. 3
5	#CARTRIDGE	1	Cartridge	Cartridge	Cartridge	Cartridge	Ref. 3
6	6193022M91	1	Kit Seal	Jeu Étanchéité	Dichtringsatz	Juego De Juntas	
7	6191096M91	1	Coil Assy.	Bobine	Wicklung, Spule	Bobina	
8	6193021M1	1	Restrictor	Réduction	Reduzierstück	Reducción	

C-90031-01.1-A



Item	Part No.	Qty.	English	French	German	Spanish	Remarks
1	3516519M94	2	Pin & Plate 45-322,5	Axe	Bolzen	Pasador	
2	3501790M1	2	Washer M46-65-5 Z	Rondelle	Scheibe	Arandela	
3	3516522M91	2	Pin Safety Linch	Goupille D´Arrêt	Klappstecker	Pasador De Parada	
4	T101116	2	Hose Assy - Fully Hydraulic Q/A	Ensemble Durit	Schlauch Kpl	Con. De Manguera	
5	356612X1	2	Nut 7/16" Unf	Ecrou Unf	Mutter 7/16" Unf	Tuerca	
6	371089X1	2	Elbow 45 Deg	Coude, 45	Kniestück, 45°	Codo, 45°	
7	6106086M91	2	Hose-Miller Q/Attach Hyd.	Flexible Ass.	Schlauch Kpl	Flexible, Conj.	
8	#HOSE ASSY	2	Hose Assy	Hose Assy	Hose Assy	Hose Assy	90031c02.1 11
9	3517732M1	1	Clip, Hose	Collier Durit	Schlauchschelle	Argolla De Fijación	
10	D142787	1	Saddle (See 142787d)	Selle	Sattel	Bloque De Caucho	
11	1664405M1	6	Tie Mm T50s	Attache Cable	Kabelbinder	Enlace De Cable	
12	3517731M1	1	Clamp-Hose	Bride Pour Tutaux	Schlauchschelle	Argolla De Fijación	
13	D142787	1	Saddle (See 142787d)	Selle	Sattel	Bloque De Caucho	
14	6101777M91	1	Cover Assy. - Switch Operating	Cache	Abdeckung	Tapa	
15	6102490M1	1	Relay-Micro	Relais	Relais	Relé	
16	356577X1	2	Cap Blanking 7/16 Jic	Chapeau	Kappe	Sombrete	

C-90031-02.1-A

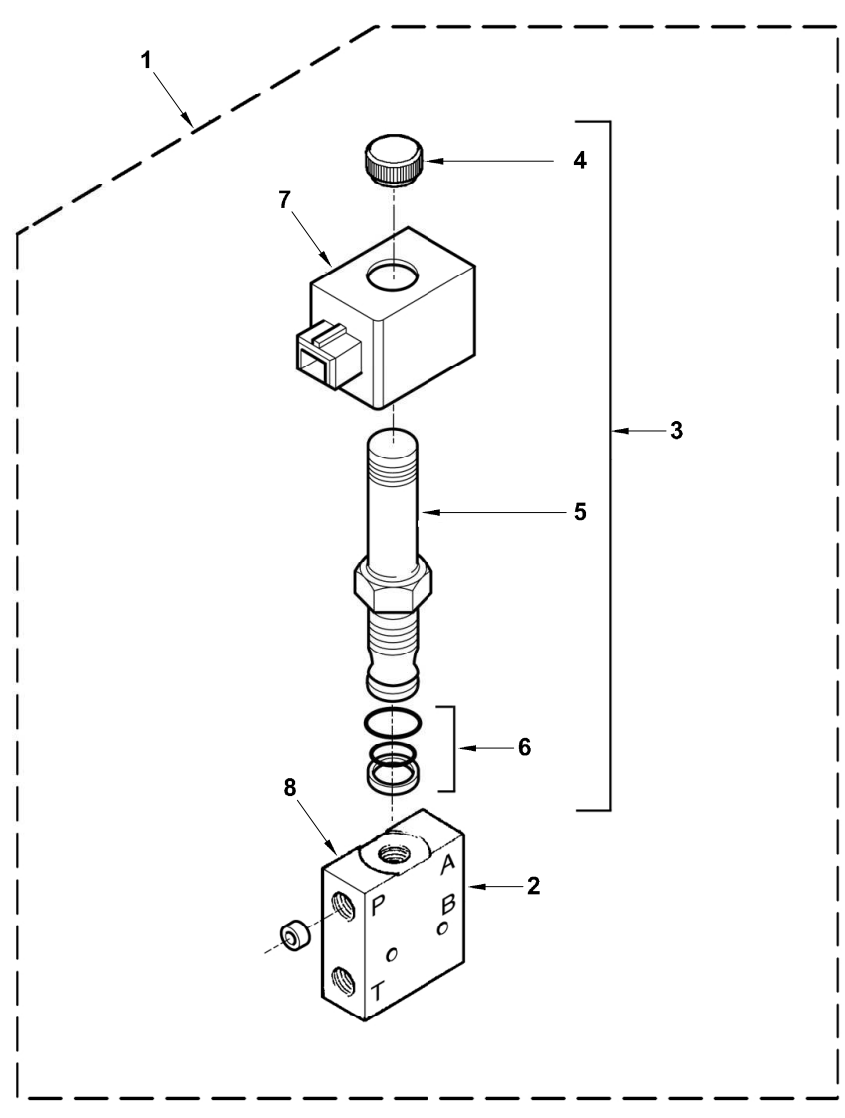




Item	Part No.	Qty.	English	French	German	Spanish	Remarks
1	365830X91	1	Connector	Adaptateur	Reduziernippel	Unión	
2	#UNION	1	Union	Union	Union	Union	Ref. 1
3	#O-RING	1	O-Ring	Joint Torique	O-Ring	Junta Tórica	
4	6109910M91	1	Hose Assy - Q/A Feed	Flexible Ass.	Schlauch Kpl	Flexible, Conj.	
5	6106011M91	1	Valve-Digger Quick Attach.	Électrovalve	Magnetventil	Electroválvula	90031c03.1 1
6	391244X1	2	Bolt M6-45 Z5s	Goupille	Bolzen - M6 X 45	Perno	
7	1441500X1	2	Nut M6 Z5 Nyloc	Ecrou	Flachmutter M6	Tuerca De Retención	
8	370807X91	2	Elbow 90 7/16jic9/16or	Coude, 90	Kniestück, 90°	Codo, 90°	
9	#ELBOW	1	Elbow	Elbow	Elbow	Elbow	Ref. 8
10	831452M1	1	O Ring (Pack Of 10)	Joint Torique	O Ring	Junta De Tipo O	
11	3519882M92	2	Hose-(Cm Kit) Q/Attach	Flexible	Schlauch	Flexible, Conj.	
12	365065X91	2	Connector 7/16x9/16	Borne	Doppelnippel	Unión	
13	#UNION	1	Union	Union	Union	Union	Ref. 12
14	831452M1	1	O Ring (Pack Of 10)	Joint Torique	O Ring	Junta De Tipo O	
15	3519226M91	1	Hose Assy	Flexible Ass.	Schlauch Kpl	Flexible, Conj.	



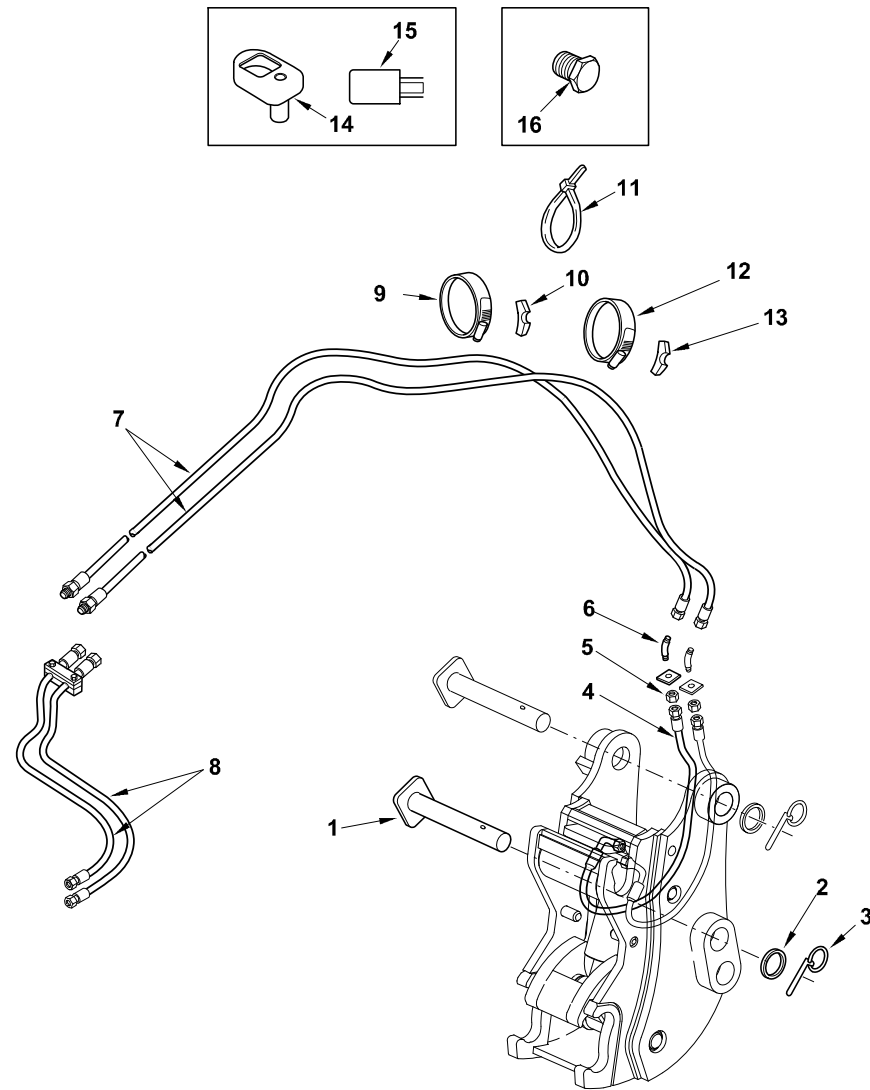
C-90031-03.1-A



Item	Part No.	Qty.	English	French	German	Spanish	Remarks
1	6106011M91	1	Valve-Digger Quick Attach.	Électrovalve	Magnetventil	Electroválvula	90031c02.1 5
2	#BODY	1	Body	Body	Body	Body	Ref. 1
3	6193020M91	1	Cartridge Assy	Cartouche Ass.	Einsatz Kplt	Solenoido, Conj.	
4	#NUT	1	Nut	Ecrou	Mutter	Tuerca	Ref. 3
5	#CARTRIDGE	1	Cartridge	Cartridge	Cartridge	Cartridge	Ref. 3
6	6193022M91	1	Kit Seal	Jeu Étanchéité	Dichtringsatz	Juego De Juntas	
7	6191096M91	1	Coil Assy.	Bobine	Wicklung, Spule	Bobina	
8	6193021M1	1	Restrictor	Réduction	Reduzierstück	Reducción	



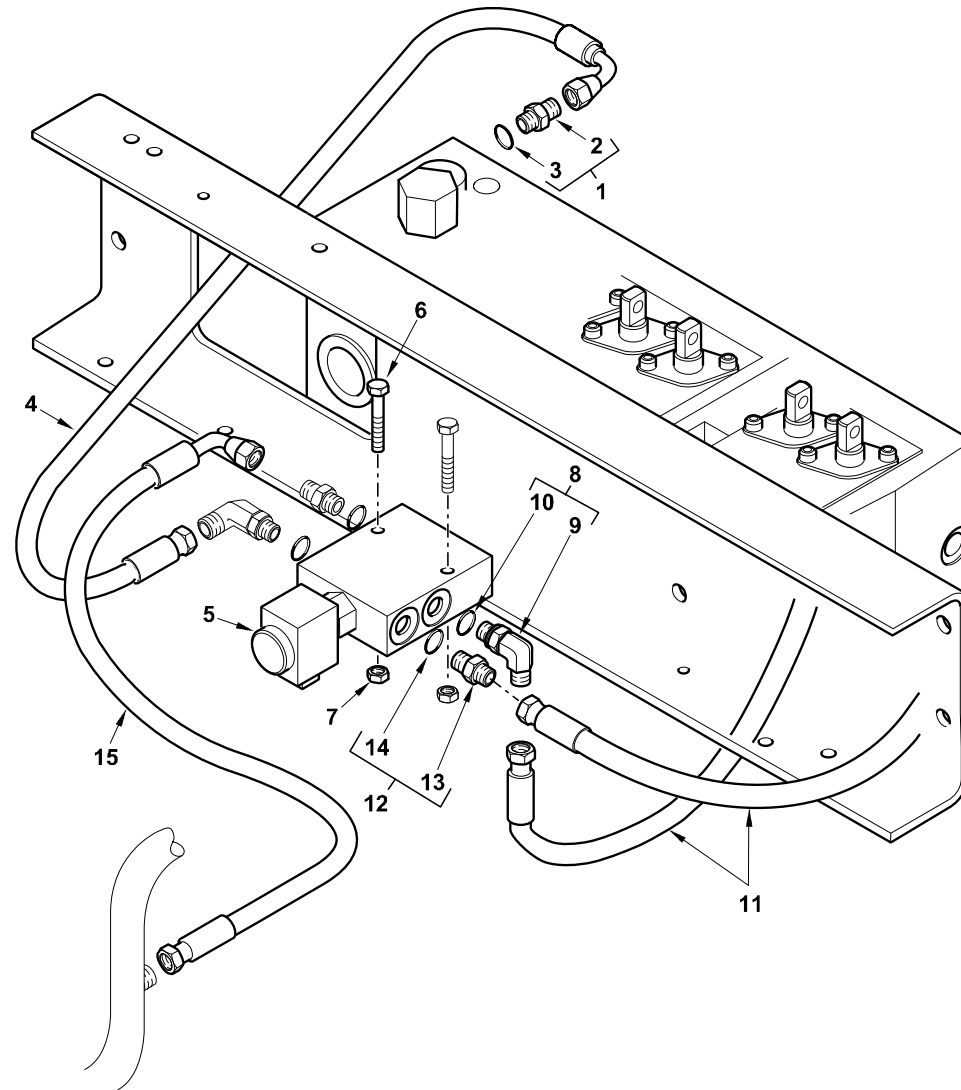
C-90032-01.1-A



Item	Part No.	Qty.	English	French	German	Spanish	Remarks
1	3516519M94	2	Pin & Plate 45-322,5	Axe	Bolzen	Pasador	
2	3501790M1	2	Washer M46-65-5 Z	Rondelle	Scheibe	Arandela	
3	3516522M91	2	Pin Safety Linch	Goupille D´Arrêt	Klappstecker	Pasador De Parada	
4	T101116	2	Hose Assy - Fully Hydraulic Q/A	Ensemble Durit	Schlauch Kpl	Con. De Manguera	
5	356612X1	2	Nut 7/16" Unf	Ecrou Unf	Mutter 7/16" Unf	Tuerca	
6	371089X1	2	Elbow 45 Deg	Coude, 45	Kniestück, 45°	Codo, 45°	
7	6106087M91	2	Hose-Miller Q/Attach Hyd.	Flexible	Schlauch Kpl	Flexible, Conj.	
8	#HOSE ASSY	2	Hose Assy	Hose Assy	Hose Assy	Hose Assy	90032c02.1 11
9	3517732M1	1	Clip, Hose	Collier Durit	Schlauchschelle	Argolla De Fijación	
10	D142787	1	Saddle (See 142787d)	Selle	Sattel	Bloque De Caucho	
11	1664405M1	6	Tie Mm T50s	Attache Cable	Kabelbinder	Enlace De Cable	
12	3517731M1	1	Clamp-Hose	Bride Pour Tutaux	Schlauchschelle	Argolla De Fijación	
13	D142787	1	Saddle (See 142787d)	Selle	Sattel	Bloque De Caucho	
14	6101777M91	1	Cover Assy. - Switch Operating	Cache	Abdeckung	Tapa	
15	6102490M1	1	Relay-Micro	Relais	Relais	Relé	
16	356577X1	2	Cap Blanking 7/16 Jic	Chapeau	Kappe	Sombbrero	



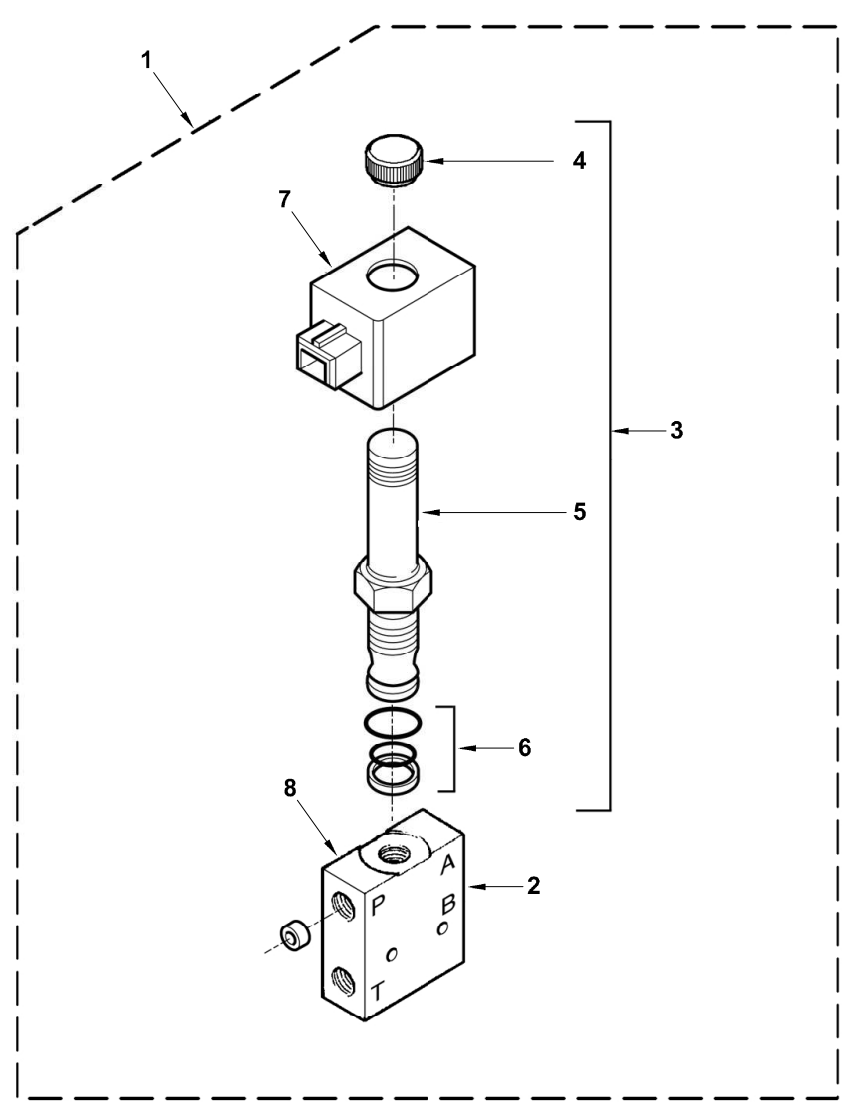
C-90032-02.1-A



Item	Part No.	Qty.	English	French	German	Spanish	Remarks
1	365830X91	1	Connector	Adaptateur	Reduziernippel	Unión	
2	#UNION	1	Union	Union	Union	Union	Ref. 1
3	#O-RING	1	O-Ring	Joint Torique	O-Ring	Junta Tórica	
4	6109910M91	1	Hose Assy - Q/A Feed	Flexible Ass.	Schlauch Kpl	Flexible, Conj.	
5	6106011M91	1	Valve-Digger Quick Attach.	Électrovalve	Magnetventil	Electroválvula	90032c03.1 1
6	391244X1	2	Bolt M6-45 Z5s	Goupille	Bolzen - M6 X 45	Perno	
7	1441500X1	2	Nut M6 Z5 Nyloc	Ecrou	Flachmutter M6	Tuerca De Retención	
8	370807X91	2	Elbow 90 7/16jic9/16or	Coude, 90	Kniestück, 90°	Codo, 90°	
9	#ELBOW	1	Elbow	Elbow	Elbow	Elbow	Ref. 8
10	831452M1	1	O Ring (Pack Of 10)	Joint Torique	O Ring	Junta De Tipo O	
11	3519882M92	2	Hose-(Cm Kit) Q/Attach	Flexible	Schlauch	Flexible, Conj.	
12	365065X91	2	Connector 7/16x9/16	Borne	Doppelnippel	Unión	
13	#UNION	1	Union	Union	Union	Union	Ref. 12
14	831452M1	1	O Ring (Pack Of 10)	Joint Torique	O Ring	Junta De Tipo O	
15	3519226M91	1	Hose Assy	Flexible Ass.	Schlauch Kpl	Flexible, Conj.	



C-90032-03.1-A

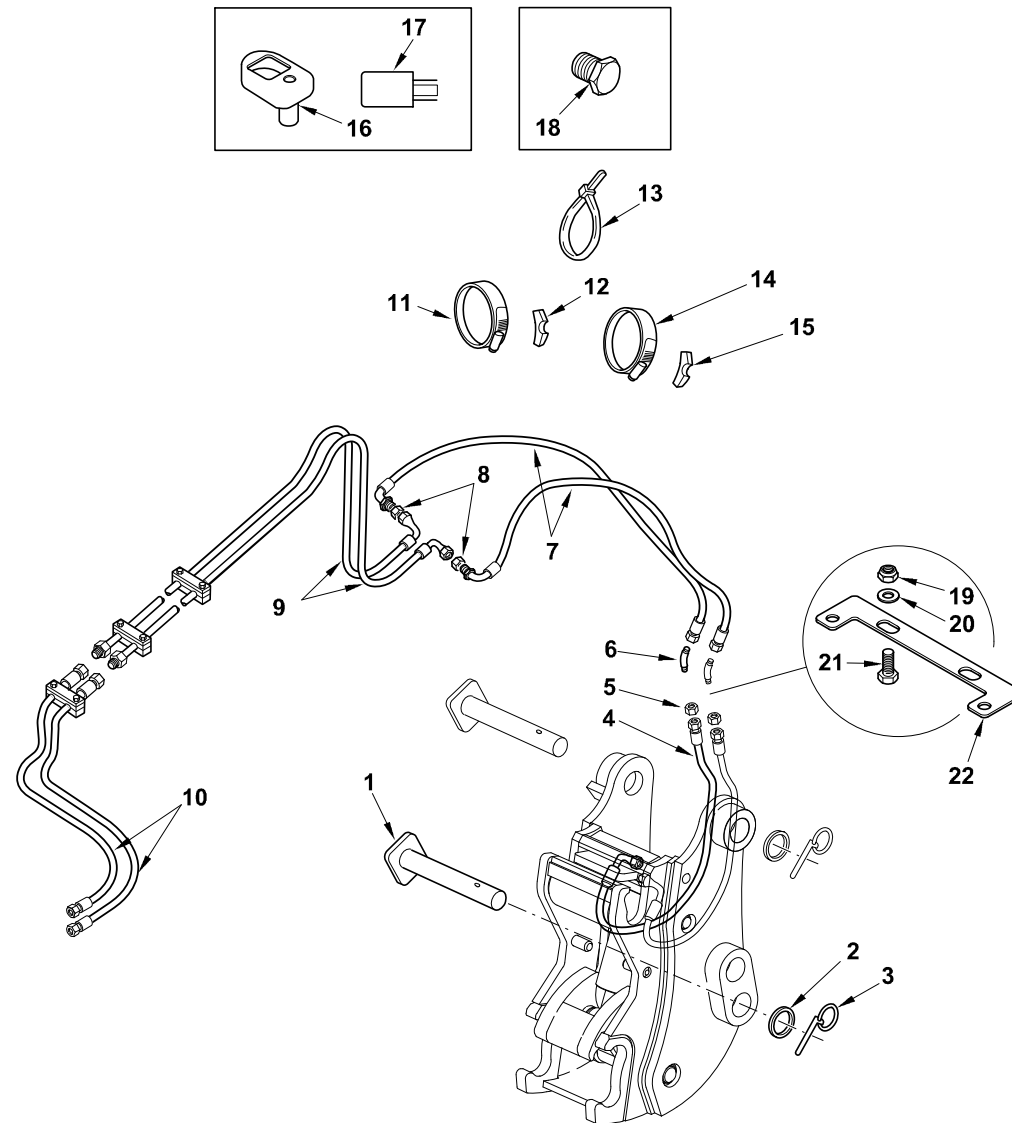




Item	Part No.	Qty.	English	French	German	Spanish	Remarks
1	6106011M91	1	Valve-Digger Quick Attach.	Électrovalve	Magnetventil	Electroválvula	90032c02.1 5
2	#BODY	1	Body	Body	Body	Body	Ref. 1
3	6193020M91	1	Cartridge Assy	Cartouche Ass.	Einsatz Kplt	Solenoido, Conj.	
4	#NUT	1	Nut	Ecrou	Mutter	Tuerca	Ref. 3
5	#CARTRIDGE	1	Cartridge	Cartridge	Cartridge	Cartridge	Ref. 3
6	6193022M91	1	Kit Seal	Jeu Étanchéité	Dichtringsatz	Juego De Juntas	
7	6191096M91	1	Coil Assy.	Bobine	Wicklung, Spule	Bobina	
8	6193021M1	1	Restrictor	Réduction	Reduzierstück	Reducción	



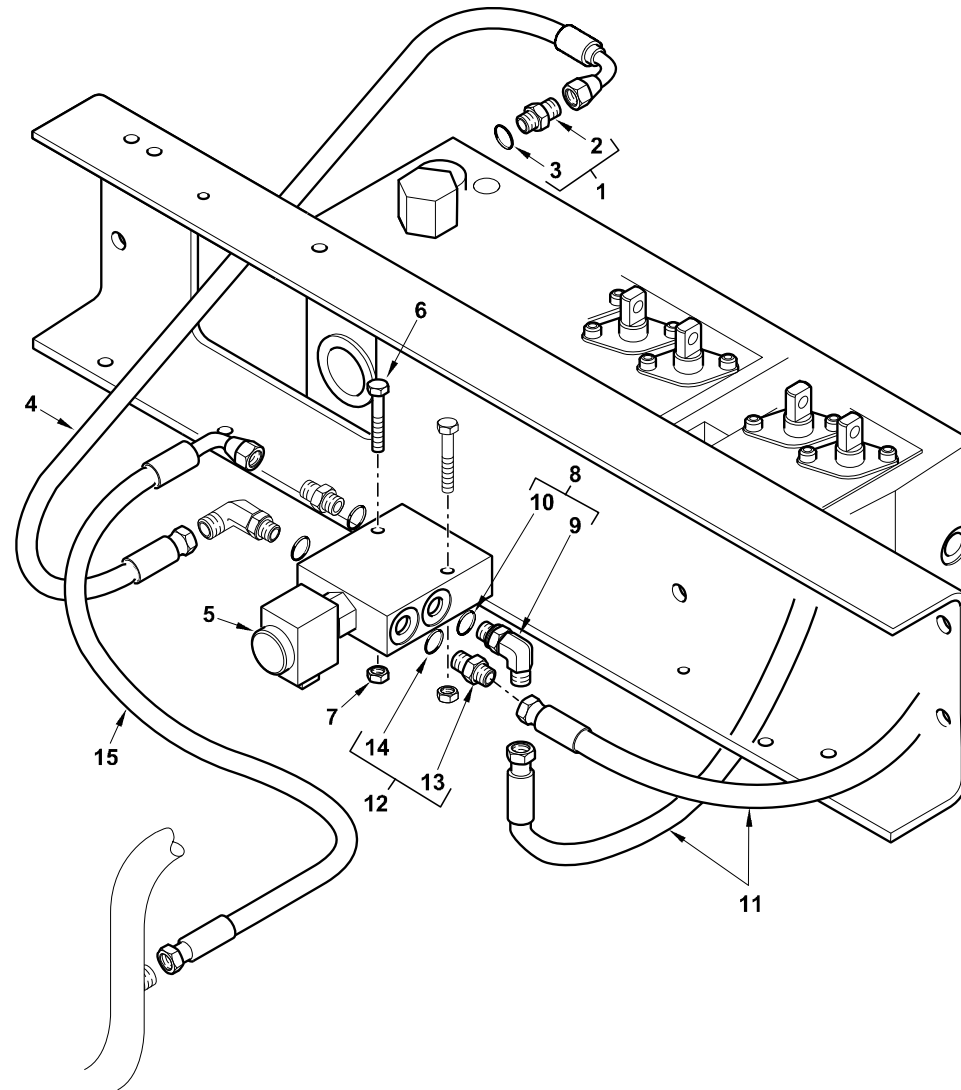
C-90033-01.1-A



Item	Part No.	Qty.	English	French	German	Spanish	Remarks
1	3516519M94	2	Pin & Plate 45-322,5	Axe	Bolzen	Pasador	
2	3501790M1	2	Washer M46-65-5 Z	Rondelle	Scheibe	Arandela	
3	3516522M91	2	Pin Safety Linch	Goupille D ´ Arrêt	Klappstecker	Pasador De Parada	
4	T101116	2	Hose Assy - Fully Hydraulic Q/A	Ensemble Durit	Schlauch Kpl	Con. De Manguera	
5	356612X1	2	Nut 7/16" Unf	Ecrou Unf	Mutter 7/16" Unf	Tuerca	
6	371089X1	2	Elbow 45 Deg	Coude, 45	Kniestück, 45°	Codo, 45°	
7	6102922M92	2	Hose-Miller Q/Attach Hyd.	Ensemble Durit	Schlauch Kpl	Flexible, Conj.	
8	356612X1	2	Nut 7/16" Unf	Ecrou Unf	Mutter 7/16" Unf	Tuerca	
9	3521945M95	1	Hose Assy. - Digger Quick Attach	Flexible Ass.	Schlauch Kpl	Flexible, Conj.	Yellow
9	6111272M91	1	Hose Assembly - Q/Attach Boom	Ensemble Durit	Schlauch Kpl	Flexible, Conj.	Black
10	#HOSE ASSY	2	Hose Assy	Hose Assy	Hose Assy	Hose Assy	90033c02.1 11
11	3517732M1	1	Clip, Hose	Collier Durit	Schlauchschelle	Argolla De Fijación	
12	D142787	1	Saddle (See 142787d)	Selle	Sattel	Bloque De Caucho	
13	1664405M1	6	Tie Mm T50s	Attache Cable	Kabelbinder	Enlace De Cable	
14	3517731M1	1	Clamp-Hose	Bride Pour Tutaux	Schlauchschelle	Argolla De Fijación	
15	D142787	1	Saddle (See 142787d)	Selle	Sattel	Bloque De Caucho	
16	6101777M91	1	Cover Assy. - Switch Operating	Cache	Abdeckung	Tapa	
17	6102490M1	1	Relay-Micro	Relais	Relais	Relé	
18	356577X1	2	Cap Blanking 7/16 Jic	Chapeau	Kappe	Sombbrero	
19	1440329X1	2	Nut, Hex. - Nyloc, M10	Ecrou Blocage	Flachmutter M10	Tuerca De Retención	
20	390597X1	2	Washer, Large - M10	Rondelle	Scheible	Arandela	
21	3009492X1	2	Bolt - Hex. M10 X 25	Boulon M10 X 25	Schraube M10 X 25	Tornillo	
22	6112498M1	1	Bracket	Support Fixation	Haltearm	Pata De Fijación	



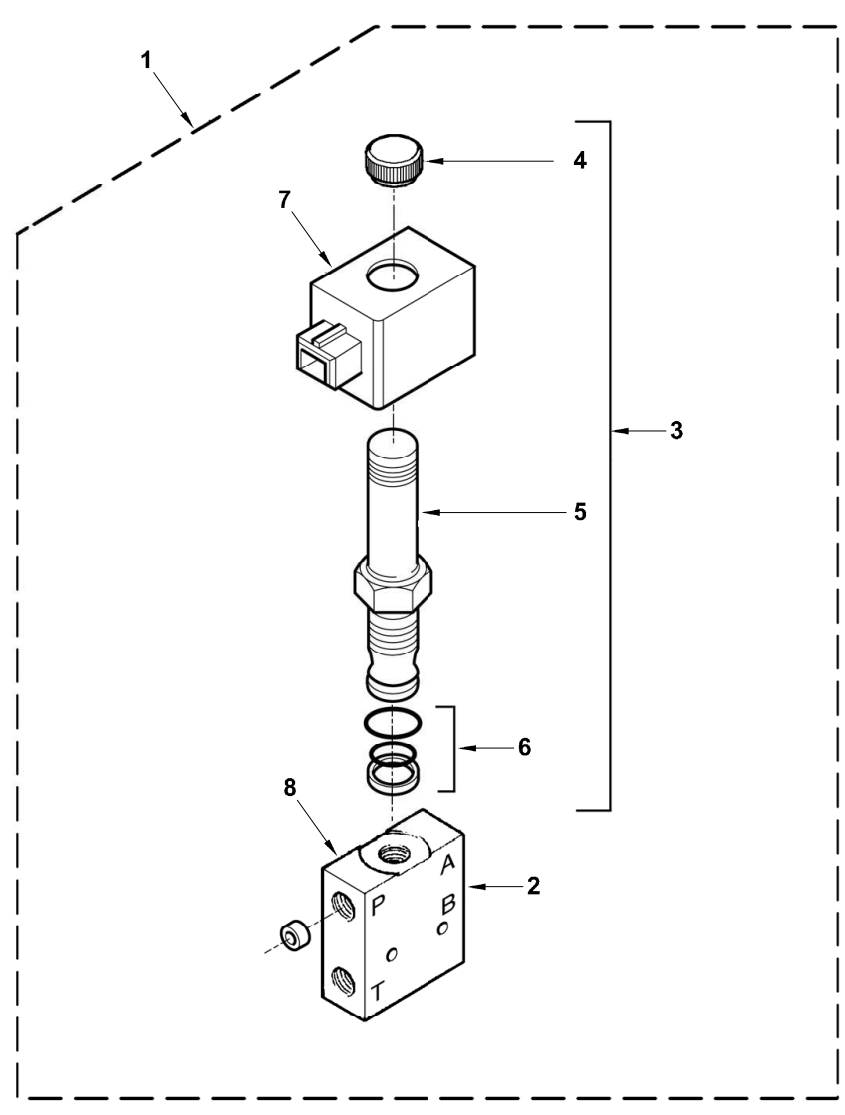
C-90033-02.1-A



Item	Part No.	Qty.	English	French	German	Spanish	Remarks
1	365830X91	1	Connector	Adaptateur	Reduziernippel	Unión	
2	#UNION	1	Union	Union	Union	Union	Ref. 1
3	#O-RING	1	O-Ring	Joint Torique	O-Ring	Junta Tórica	
4	6109910M91	1	Hose Assy - Q/A Feed	Flexible Ass.	Schlauch Kpl	Flexible, Conj.	
5	6106011M91	1	Valve-Digger Quick Attach.	Électrovalve	Magnetventil	Electroválvula	90033c03.1
6	391244X1	2	Bolt M6-45 Z5s	Goupille	Bolzen - M6 X 45	Perno	
7	1441500X1	2	Nut M6 Z5 Nyloc	Ecrou	Flachmutter M6	Tuerca De Retención	
8	370807X91	2	Elbow 90 7/16jic9/16or	Coude, 90	Kniestück, 90°	Codo, 90°	
9	#ELBOW	1	Elbow	Elbow	Elbow	Elbow	Ref. 8
10	831452M1	1	O Ring (Pack Of 10)	Joint Torique	O Ring	Junta De Tipo O	
11	6111273M91	1	Hose Assembly - Q/Attach	Ensemble Durit	Schlauch Kpl	Flexible, Conj.	
11	6102806M91	1	Hose-Quick Attach	Flexible Ass.	Schlauch Kpl	Flexible, Conj.	Yellow
12	365065X91	2	Connector 7/16x9/16	Borne	Doppelnippel	Unión	
13	#UNION	1	Union	Union	Union	Union	Ref. 12
14	831452M1	1	O Ring (Pack Of 10)	Joint Torique	O Ring	Junta De Tipo O	
15	3519226M91	1	Hose Assy	Flexible Ass.	Schlauch Kpl	Flexible, Conj.	



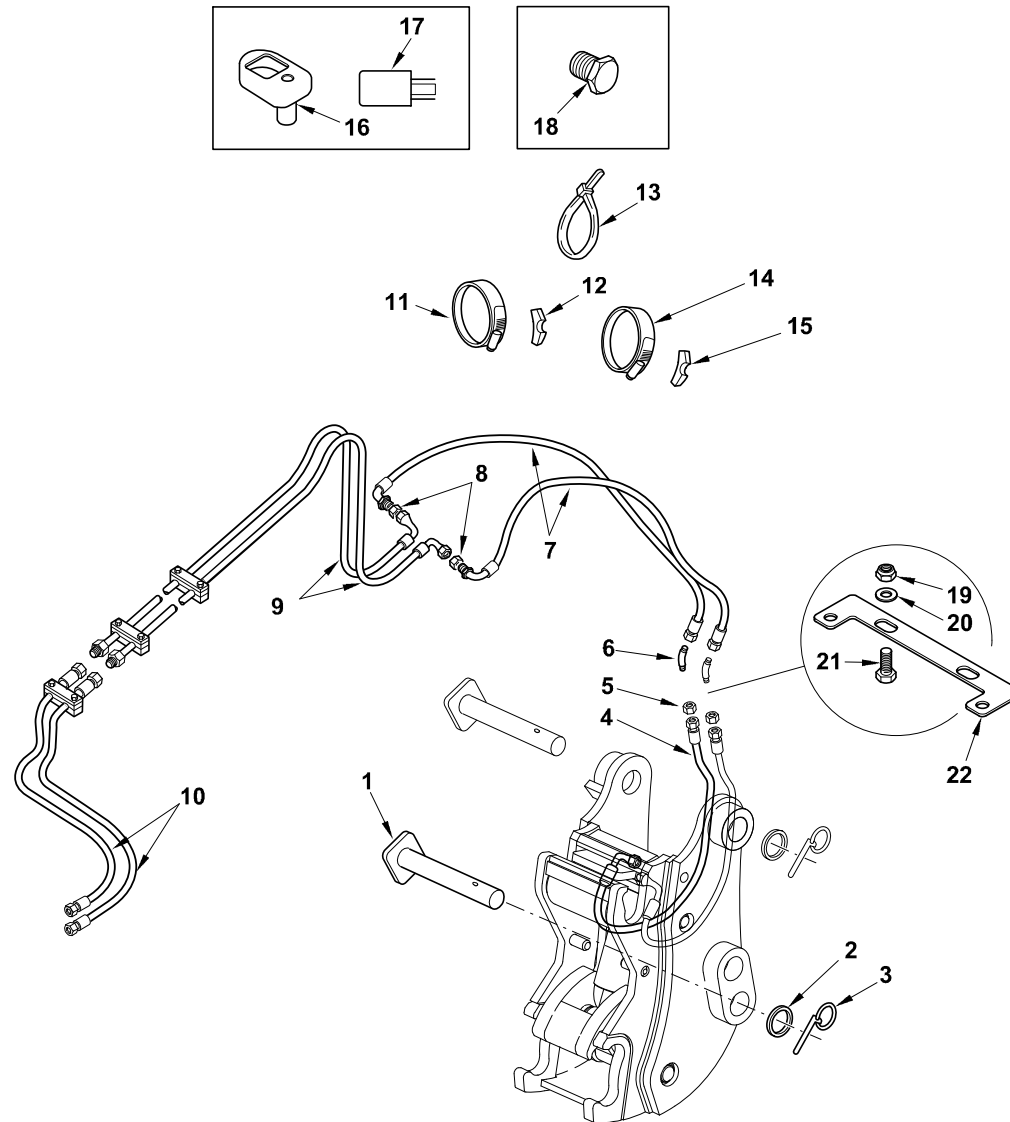
C-90033-03.1-A



Item	Part No.	Qty.	English	French	German	Spanish	Remarks
1	6106011M91	1	Valve-Digger Quick Attach.	Électrovalve	Magnetventil	Electroválvula	
2	#BODY	1	Body	Body	Body	Body	
3	6193020M91	1	Cartridge Assy	Cartouche Ass.	Einsatz Kplt	Solenoido, Conj.	
4	#NUT	1	Nut	Ecrou	Mutter	Tuerca	
5	#CARTRIDGE	1	Cartridge	Cartridge	Cartridge	Cartridge	
6	6193022M91	1	Kit Seal	Jeu Étanchéité	Dichtringsatz	Juego De Juntas	
7	6191096M91	1	Coil Assy.	Bobine	Wicklung, Spule	Bobina	
8	6193021M1	1	Restrictor	Réduction	Reduzierstück	Reducción	



C-90034-01.1-A

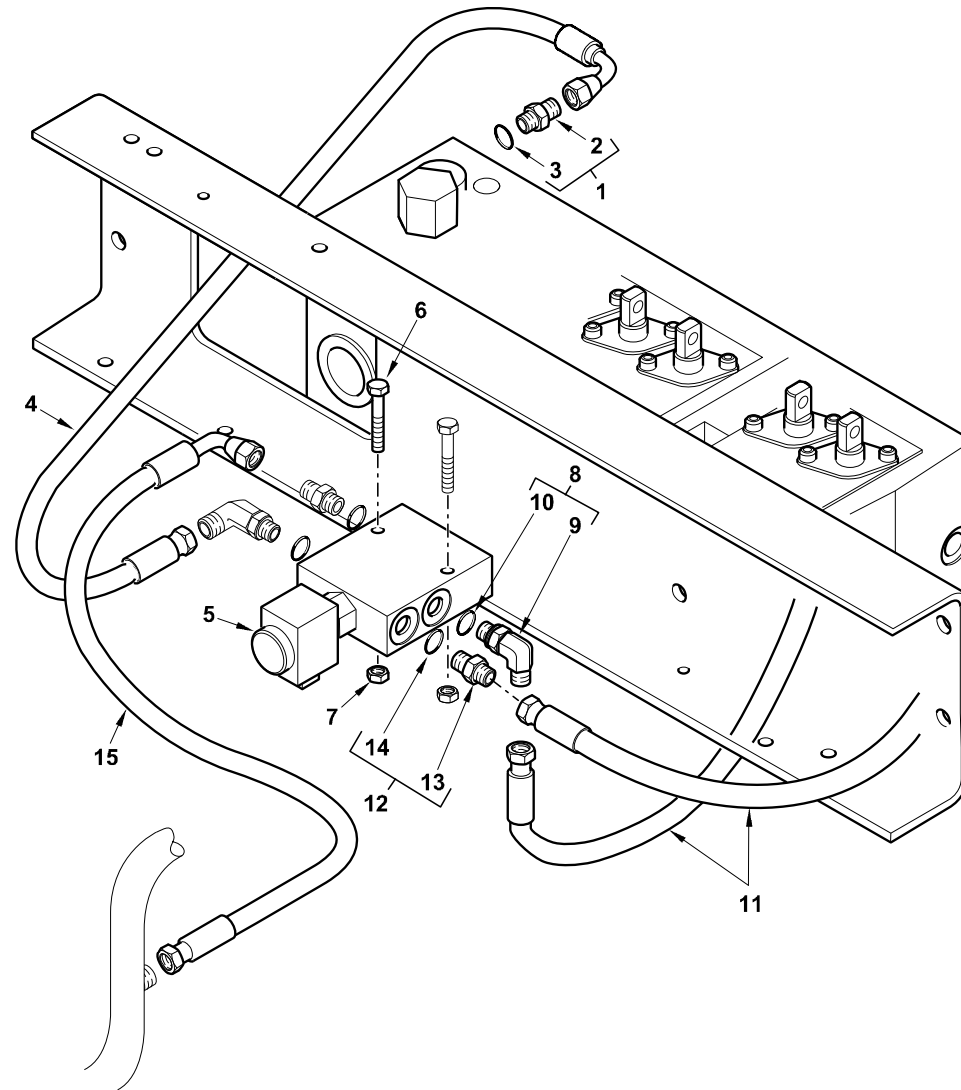




Item	Part No.	Qty.	English	French	German	Spanish	Remarks
1	3516519M94	2	Pin & Plate 45-322,5	Axe	Bolzen	Pasador	
2	3501790M1	2	Washer M46-65-5 Z	Rondelle	Scheibe	Arandela	
3	3516522M91	2	Pin Safety Linch	Goupille D´Arrêt	Klappstecker	Pasador De Parada	
4	T101116	2	Hose Assy - Fully Hydraulic Q/A	Ensemble Durit	Schlauch Kpl	Con. De Manguera	
5	356612X1	2	Nut 7/16" Unf	Ecrou Unf	Mutter 7/16" Unf	Tuerca	
6	371089X1	2	Elbow 45 Deg	Coude, 45	Kniestück, 45°	Codo, 45°	
7	6102922M92	2	Hose-Miller Q/Attach Hyd.	Ensemble Durit	Schlauch Kpl	Flexible, Conj.	
8	356612X1	2	Nut 7/16" Unf	Ecrou Unf	Mutter 7/16" Unf	Tuerca	
9	3518145M91	2	Hose Assy	Flexible	Schlauch Kpl	Flexible, Conj.	
10	#HOSE ASSY	2	Hose Assy	Hose Assy	Hose Assy	Hose Assy	90034c02.1 11
11	3517732M1	1	Clip, Hose	Collier Durit	Schlauchschelle	Argolla De Fijación	
12	D142787	1	Saddle (See 142787d)	Selle	Sattel	Bloque De Caucho	
13	1664405M1	6	Tie Mm T50s	Attache Cable	Kabelbinder	Enlace De Cable	
14	3517731M1	1	Clamp-Hose	Bride Pour Tutaux	Schlauchschelle	Argolla De Fijación	
15	D142787	1	Saddle (See 142787d)	Selle	Sattel	Bloque De Caucho	
16	6101777M91	1	Cover Assy. - Switch Operating	Cache	Abdeckung	Tapa	
17	6102490M1	1	Relay-Micro	Relais	Relais	Relé	
18	356577X1	2	Cap Blanking 7/16 Jic	Chapeau	Kappe	Sombbrero	
19	1440329X1	2	Nut, Hex. - Nyloc, M10	Ecrou Blocage	Flachmutter M10	Tuerca De Retención	
20	390597X1	2	Washer, Large - M10	Rondelle	Scheible	Arandela	
21	3009492X1	2	Bolt - Hex. M10 X 25	Boulon M10 X 25	Schraube M10 X 25	Tornillo	
22	6112498M1	1	Bracket	Support Fixation	Haltearm	Pata De Fijación	



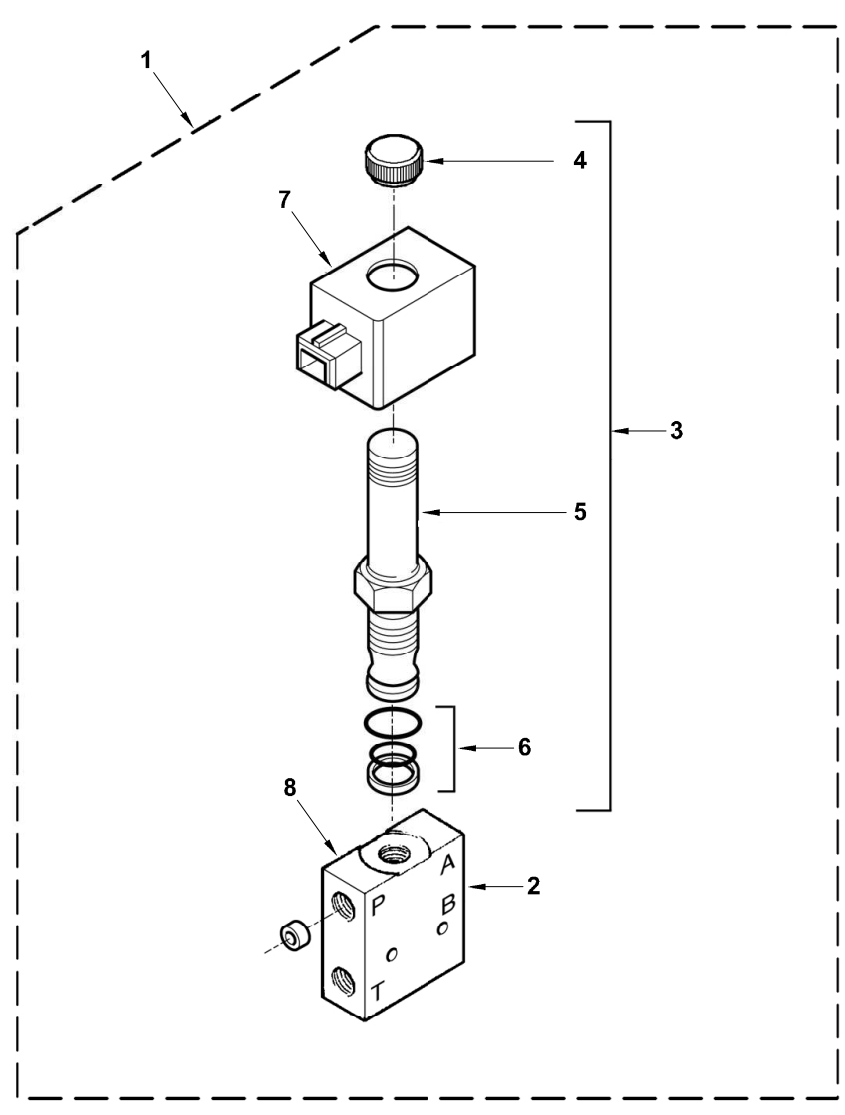
C-90034-02.1-A



Item	Part No.	Qty.	English	French	German	Spanish	Remarks
1	365830X91	1	Connector	Adaptateur	Reduziernippel	Unión	
2	#UNION	1	Union	Union	Union	Union	Ref. 1
3	#O-RING	1	O-Ring	Joint Torique	O-Ring	Junta Tórica	
4	6109910M91	1	Hose Assy - Q/A Feed	Flexible Ass.	Schlauch Kpl	Flexible, Conj.	
5	6106011M91	1	Valve-Digger Quick Attach.	Électrovalve	Magnetventil	Electroválvula	90034c03.1
6	391244X1	2	Bolt M6-45 Z5s	Goupille	Bolzen - M6 X 45	Perno	
7	1441500X1	2	Nut M6 Z5 Nyloc	Ecrou	Flachmutter M6	Tuerca De Retención	
8	370807X91	2	Elbow 90 7/16jic9/16or	Coude, 90	Kniestück, 90°	Codo, 90°	
9	#ELBOW	1	Elbow	Elbow	Elbow	Elbow	Ref. 8
10	831452M1	1	O Ring (Pack Of 10)	Joint Torique	O Ring	Junta De Tipo O	
11	6102806M91	2	Hose-Quick Attach	Flexible Ass.	Schlauch Kpl	Flexible, Conj.	
12	365065X91	2	Connector 7/16x9/16	Borne	Doppelnippel	Unión	
13	#UNION	1	Union	Union	Union	Union	Ref. 12
14	831452M1	1	O Ring (Pack Of 10)	Joint Torique	O Ring	Junta De Tipo O	
15	3519226M91	1	Hose Assy	Flexible Ass.	Schlauch Kpl	Flexible, Conj.	



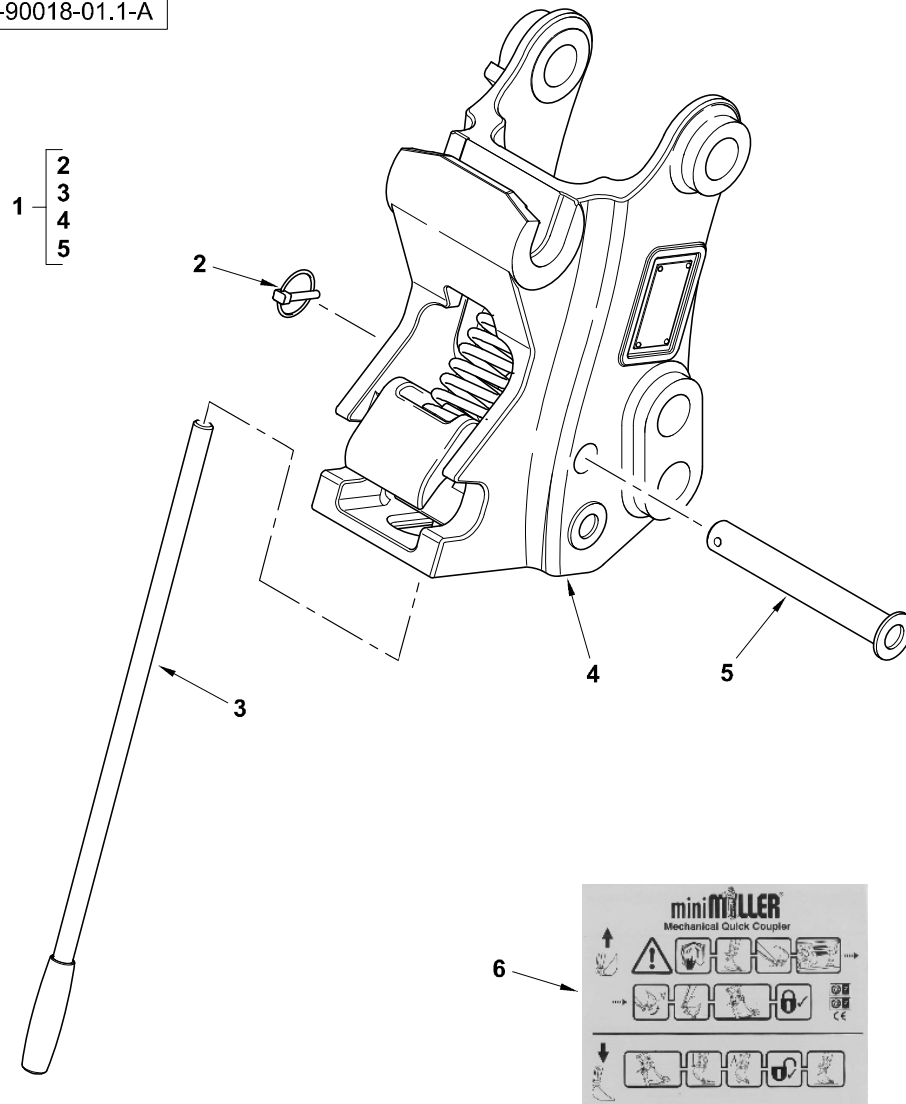
C-90034-03.1-A



Item	Part No.	Qty.	English	French	German	Spanish	Remarks
1	6106011M91	1	Valve-Digger Quick Attach.	Électrovalve	Magnetventil	Electroválvula	90034c02.1 5
2	#BODY	1	Body	Body	Body	Body	Ref. 1
3	6193020M91	1	Cartridge Assy	Cartouche Ass.	Einsatz Kplt	Solenoido, Conj.	
4	#NUT	1	Nut	Ecrou	Mutter	Tuerca	Ref. 3
5	#CARTRIDGE	1	Cartridge	Cartridge	Cartridge	Cartridge	Ref. 3
6	6193022M91	1	Kit Seal	Jeu Étanchéité	Dichtringsatz	Juego De Juntas	
7	6191096M91	1	Coil Assy.	Bobine	Wicklung, Spule	Bobina	
8	6193021M1	1	Restrictor	Réduction	Reduzierstück	Reducción	



C-90018-01.1-A



Item	Part No.	Qty.	English	French	German	Spanish	Remarks
1	6114796M91	1	Miller Mechanical Digger Q/A	Ensem. D'attal. Rapide	Schnellkupplung Kpl.	Engan. Rapido. Conj.	
2	6114817M1	1	Lynch Pin Miller Mechanical Q/A	Goupille 8mm	Vorstecker 8mm	Clavija 8mm	
3	6114815M1	1	Release Handle Miller Mechanical Q/A	Poignee	Handgriff	Maneta	
4	#MOUNT	1	Mount	Mount	Mount	Mount	Ref. 1
5	6114816M1	1	Pin Miller Mechanical Q/A	Goupille	Bolzen	Pasador	
6	6114819M1	1	Decal - Miller Mechanical Q/A	Decalcomanie	Aufkleber	Calcomania	

